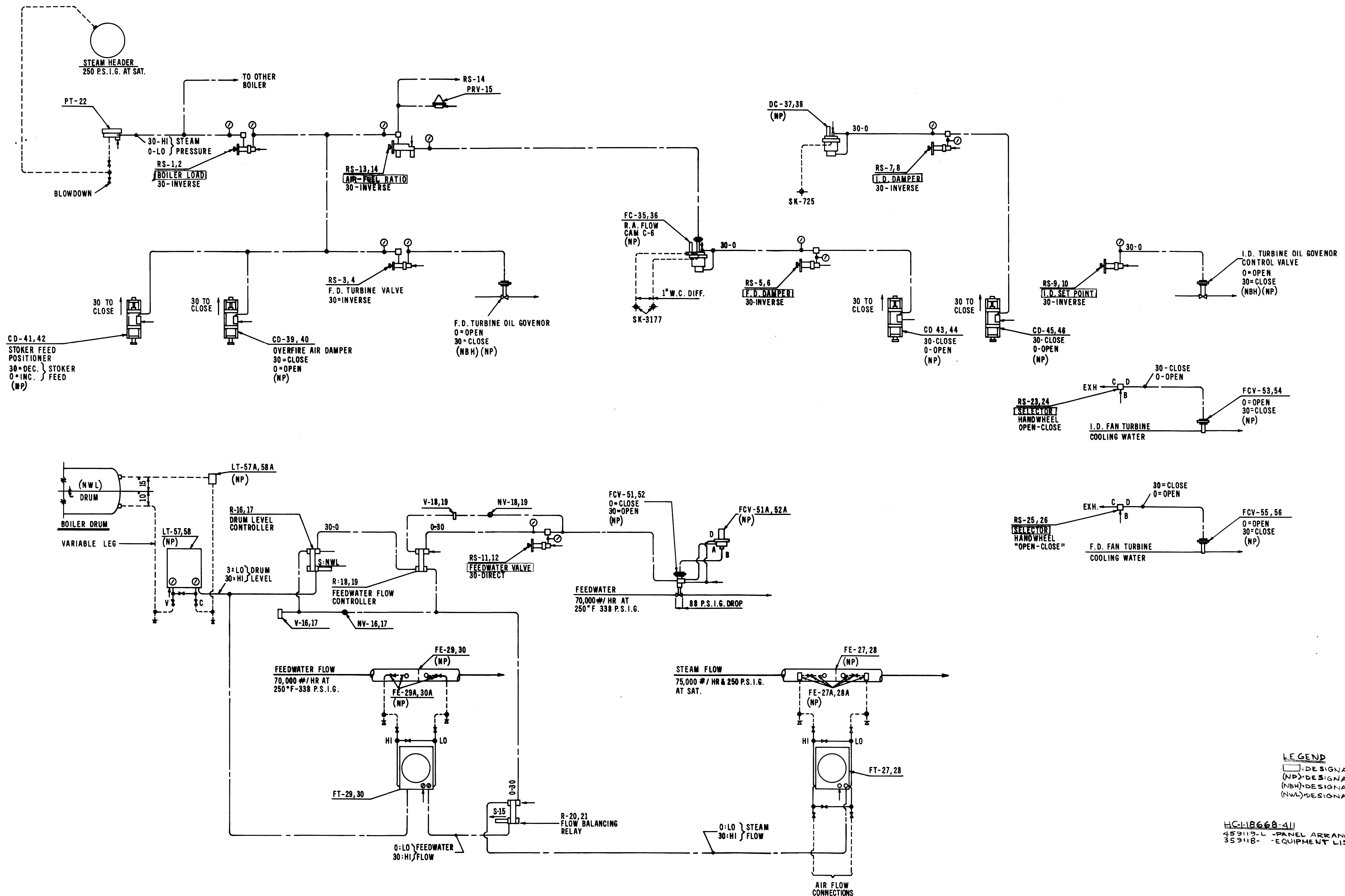


117
C3



ORIGINAL DRAWING FOR INFORMATION PURPOSES ONLY

LEGEND

- : DESIGNATES STATION NAME
- (NP) : DESIGNATES NON-PANEL MOUNTED EQUIPMENT
- (NBH) : DESIGNATES EQUIPMENT NOT BY HAGAN
- (NWL) : DESIGNATES NORMAL WATER LEVEL

HC-18668-411
 459117 - L - PANEL ARRANGEMENT
 359118 - EQUIPMENT LIST

R R 010
3-2-59

CONTRACT DEPT.

PRINTED IN U.S.A. REVISION

COMBUSTION & 3-ELEMENT FEEDWATER
CONTROL DIAGRAM
UNIVERSITY OF KENTUCKY
LEXINGTON, KENTUCKY

HAGAN CHEMICALS & CONTROLS, INC.

PITTSBURGH, PA.

DR. C. F. SIEGWARTH
DATE 2-27-59
SCALE 2/3

459117

Document # 014092
 Sheet 117
 C-3