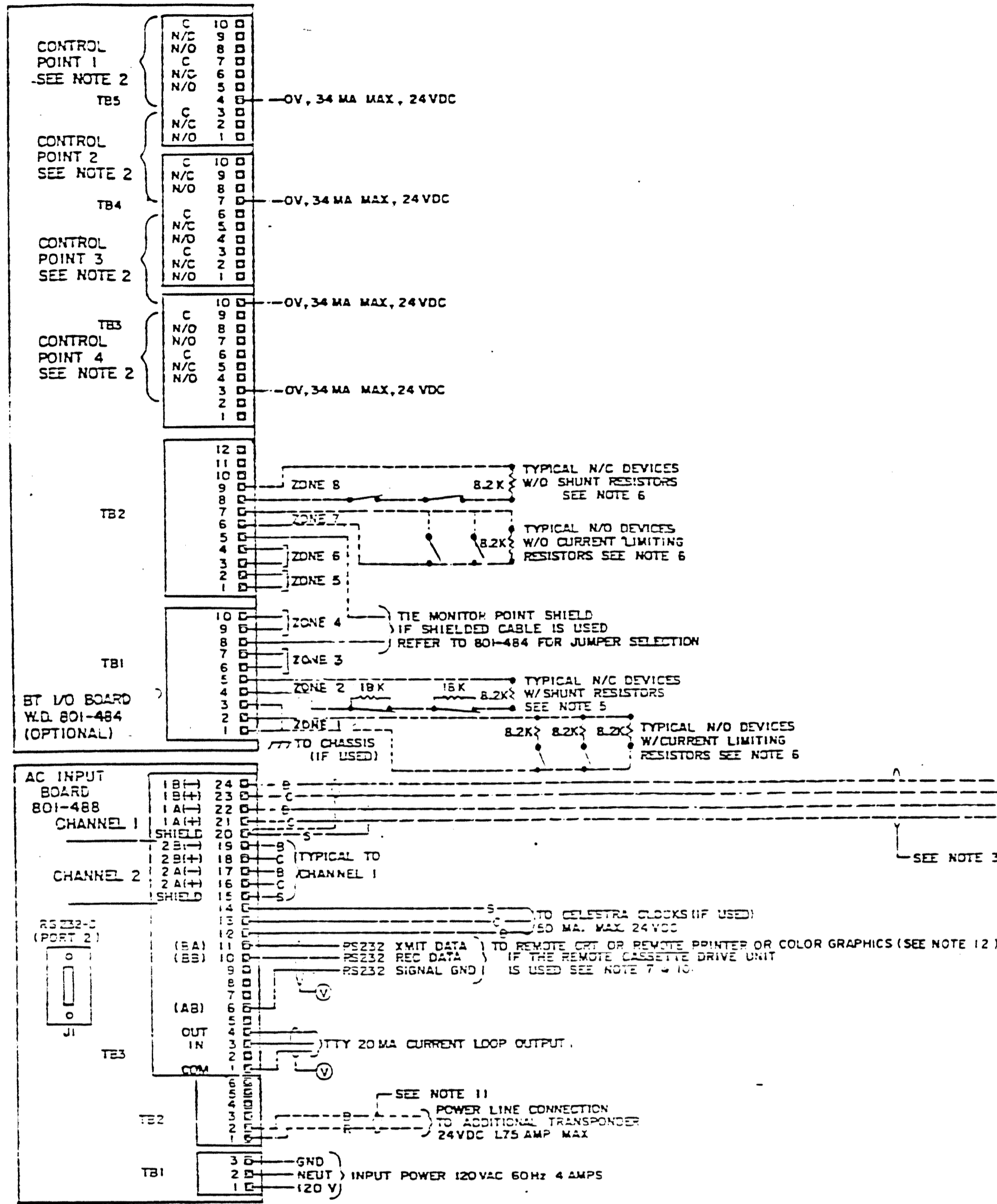
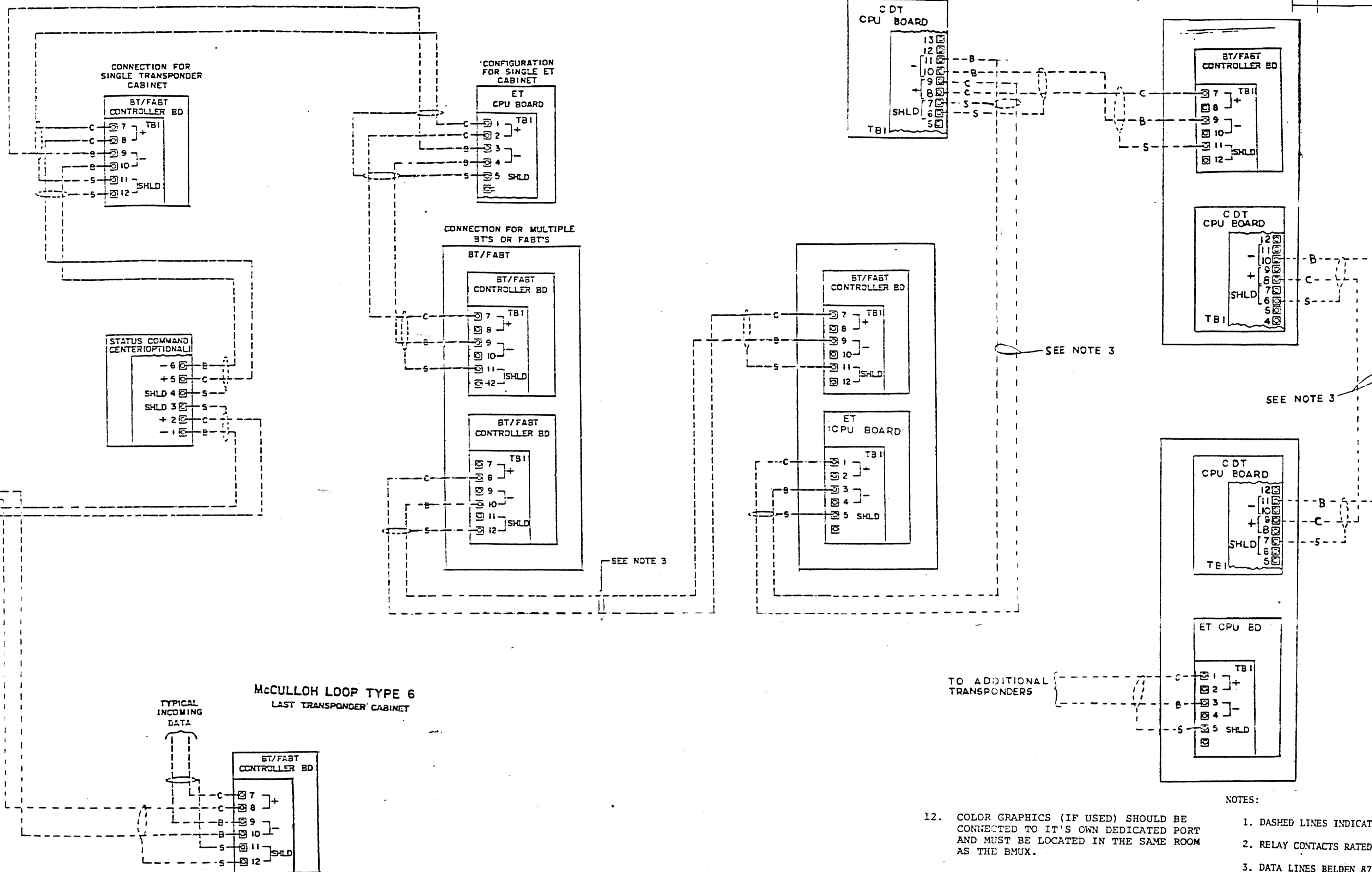


REV	DRAFTSMAN	DATE	CHECKER

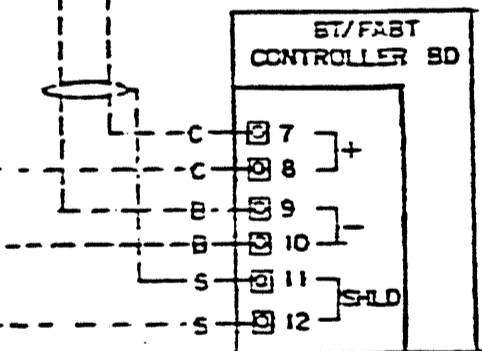
2120 S-MUX



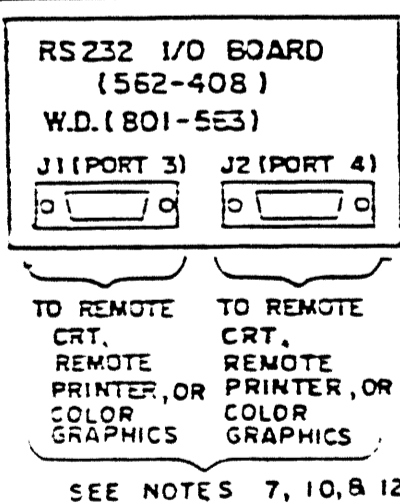
TYPICAL DATA LINE INTERCONNECTION



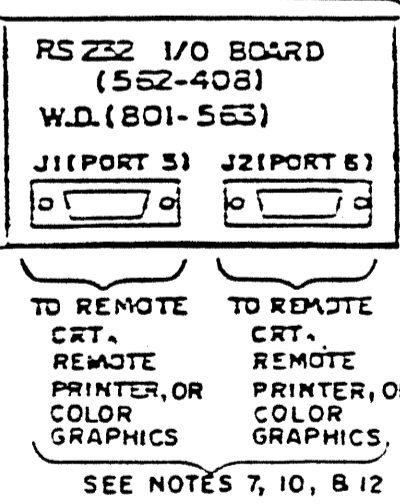
McCULLOH LOOP TYPE 6 LAST TRANSPONDER CABINET



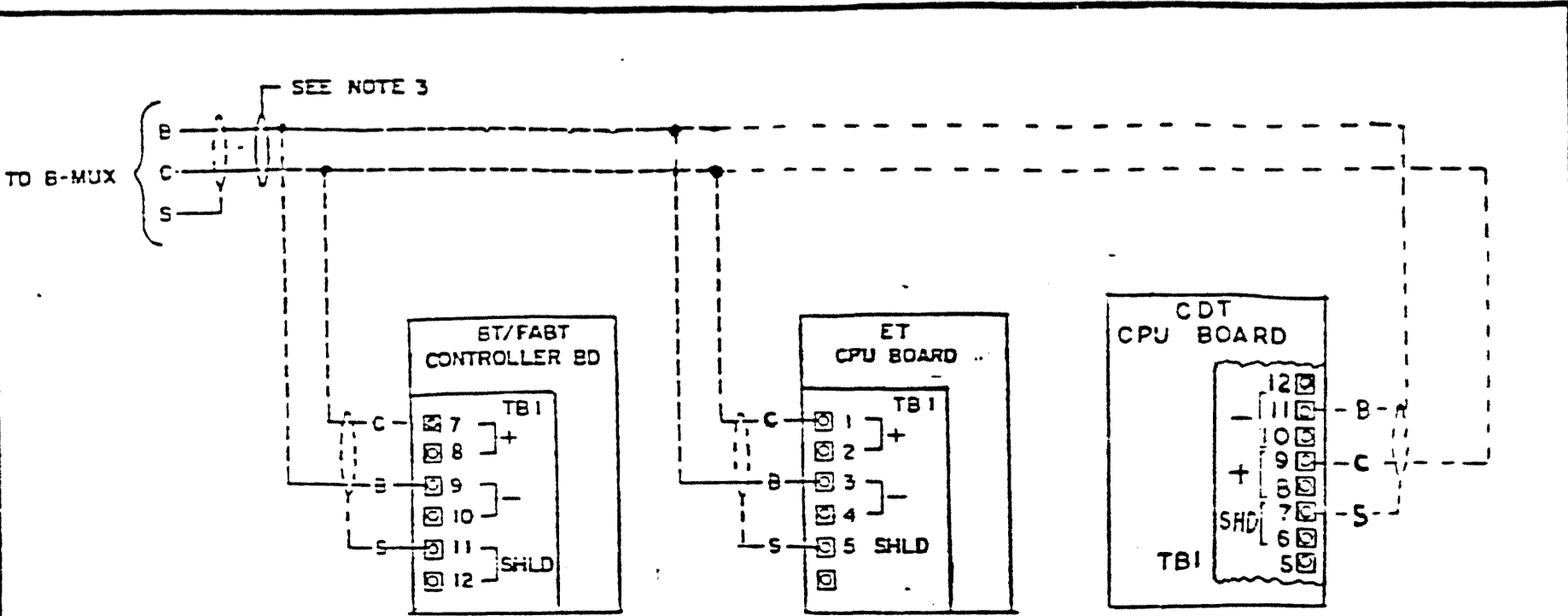
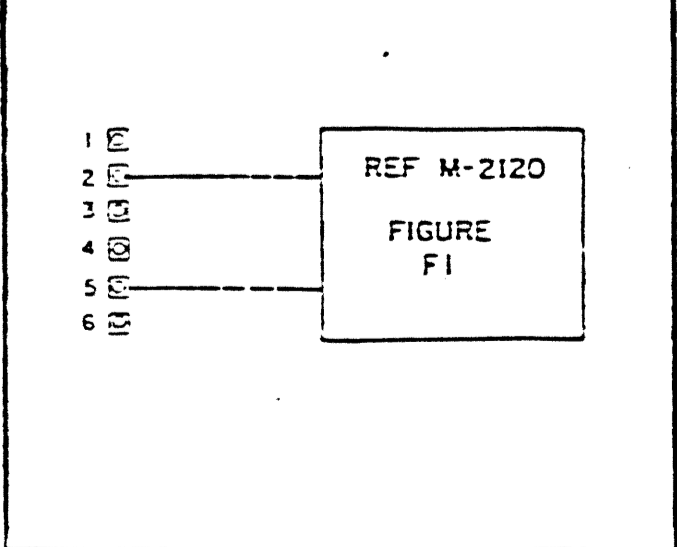
OPTIONAL FEATURE DUAL REMOTE RS232-C PORT OUTPUT



OPTIONAL FEATURE DUAL REMOTE RS252-C PORT OUTPUT



EXTERNAL BATTERY INPUT TERMINAL BLOCK LOCATION



OPTIONAL DATA LINE INTERCONNECTION WHEN NOT USING McCULLOH LOOP

12. COLOR GRAPHICS (IF USED) SHOULD BE CONNECTED TO ITS OWN DEDICATED PORT AND MUST BE LOCATED IN THE SAME ROOM AS THE BMUX.
- NOTES:
- DASHED LINES INDICATE CONTRACTOR WIRING.
 - RELAY CONTACTS RATED AT 2 AMPS, 28 VDC.
 - DATA LINES BELDEN 8760 OR EQUIVALENT C=CLEAR, B=BLACK, S=SHIELD
 - TRUNK FACILITY 30 VDC MAX. 4800 BAUD RATE MAX. 10,000 FEET MAX. DISTANCE, POWER LIMITED CIRCUIT.
 - STANDBY BATTERIES, FAST CHARGE 3.0 AMPS TRICKLE CHARGE 200 ma BATTERY TYPE; 2120-5201, 2120-5202, 2120-5203.
 - 200 OHMS MAX. LINE RESISTANCE FOR MONITOR CIRCUIT, 28 VDC.
 - IF REMOTE CASSETTE DRIVE (TAPE DUMP) IS USED, IT SHOULD BE CONNECTED TO ITS OWN DEDICATED PORT.
 - NO CONTRACTOR CONNECTIONS
 - INDICATES UNSUPERVISED WIRING.
 - ALL RS232 PORT WIRING IS UNSUPERVISED UNLESS CONNECTED TO A G.E. TERMINET OR AN ADDS-90.
 - POWER LINES 12 AWG, B=BLACK, R=RED.

REFER TO 900-036 FOR 2120 FIELD WIRING SPECIFICATIONS

ORDER NO 783349
FILE NO M962610A

Simplex Simplex Time Recorder Co. Garner Mass 01440 USA		CAUTION DO NOT CONNECT POWER UNTIL SYSTEM HAS BEEN CHECKED BY A SIMPLEX REPRESENTATIVE	
DRAFTSMAN	DATE	EQUIP	2120
CHECKER	DATE	DWG NO	1984-347
APPROVED	DATE	SHEET	2 of 2