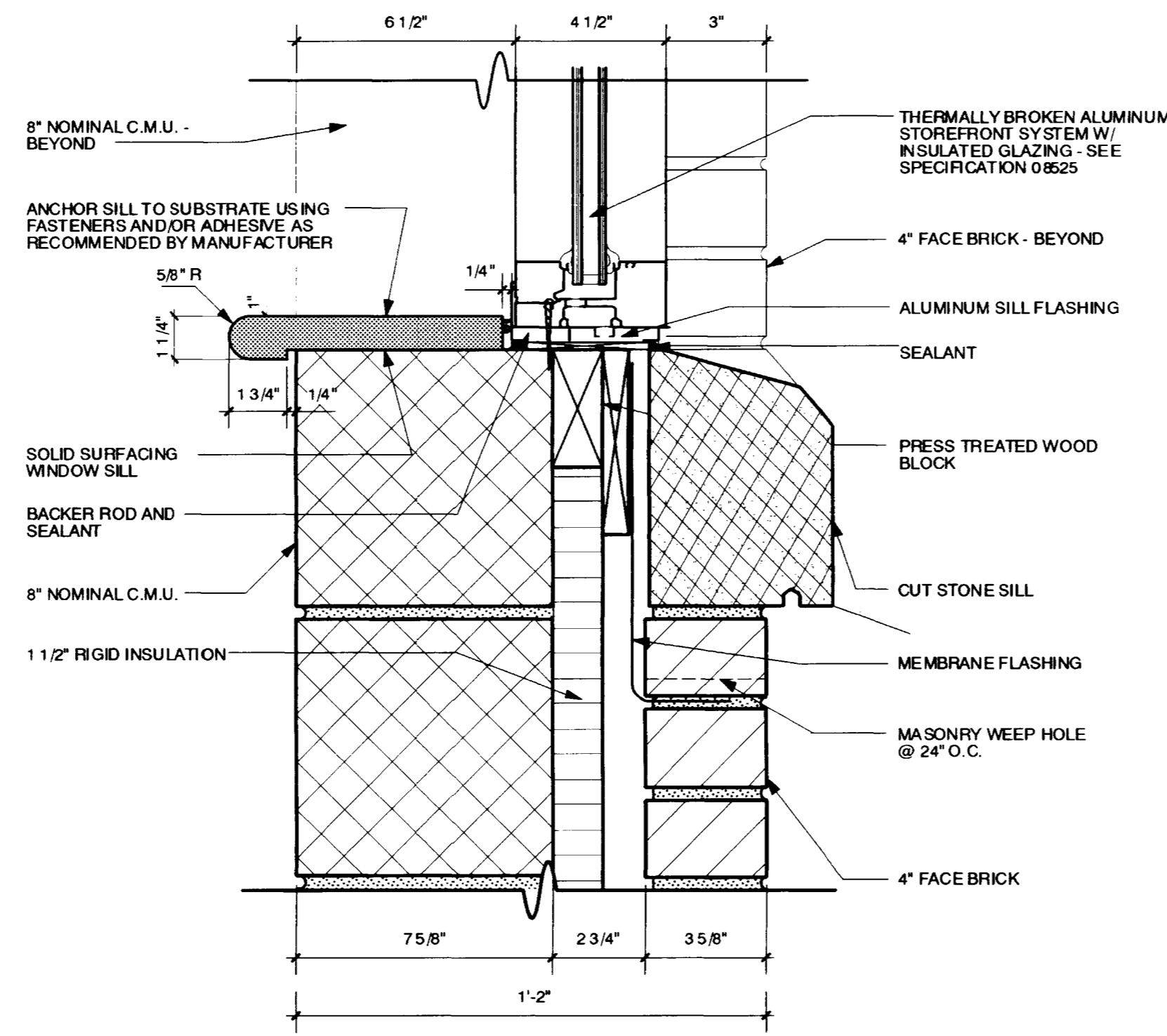
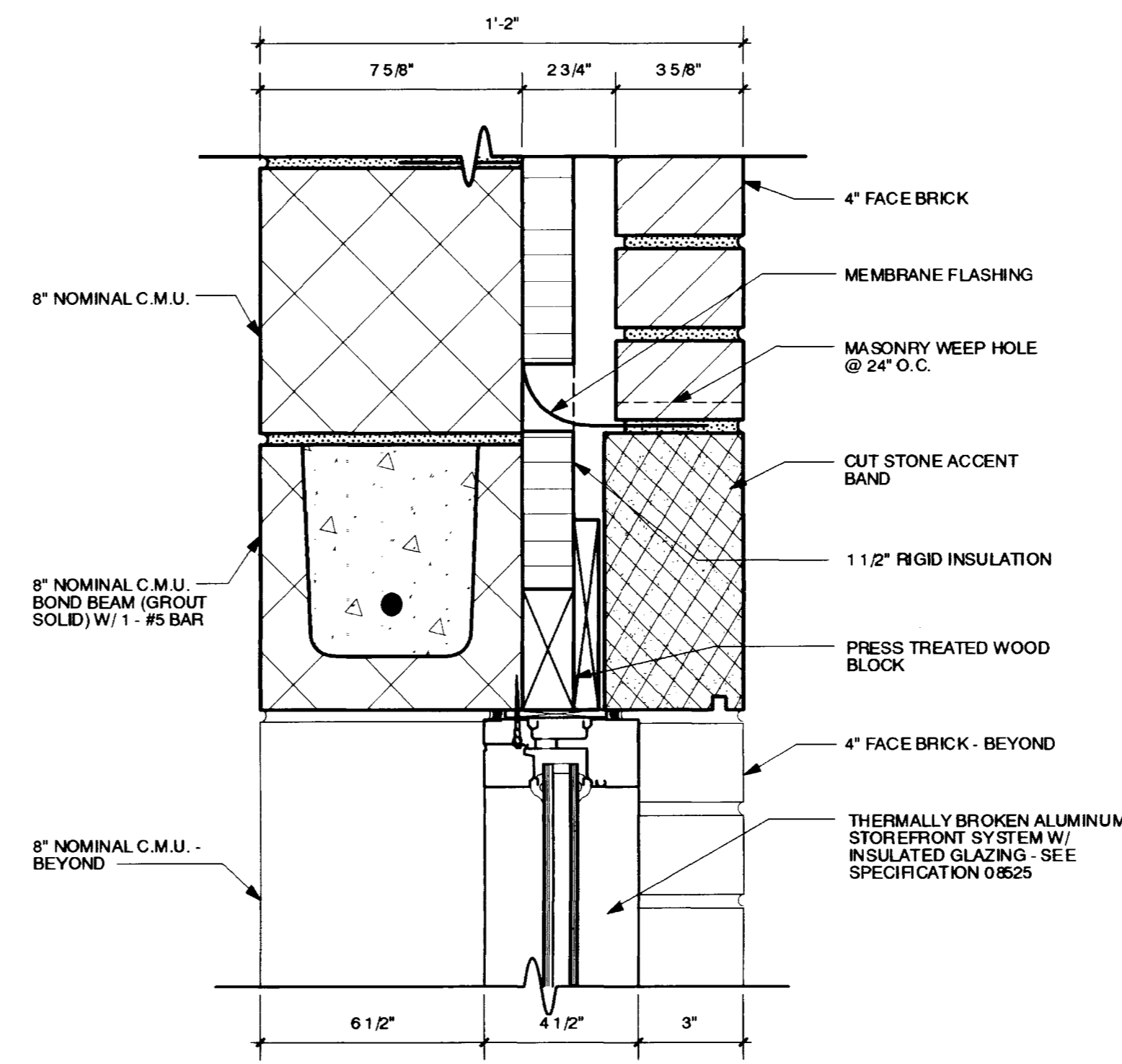


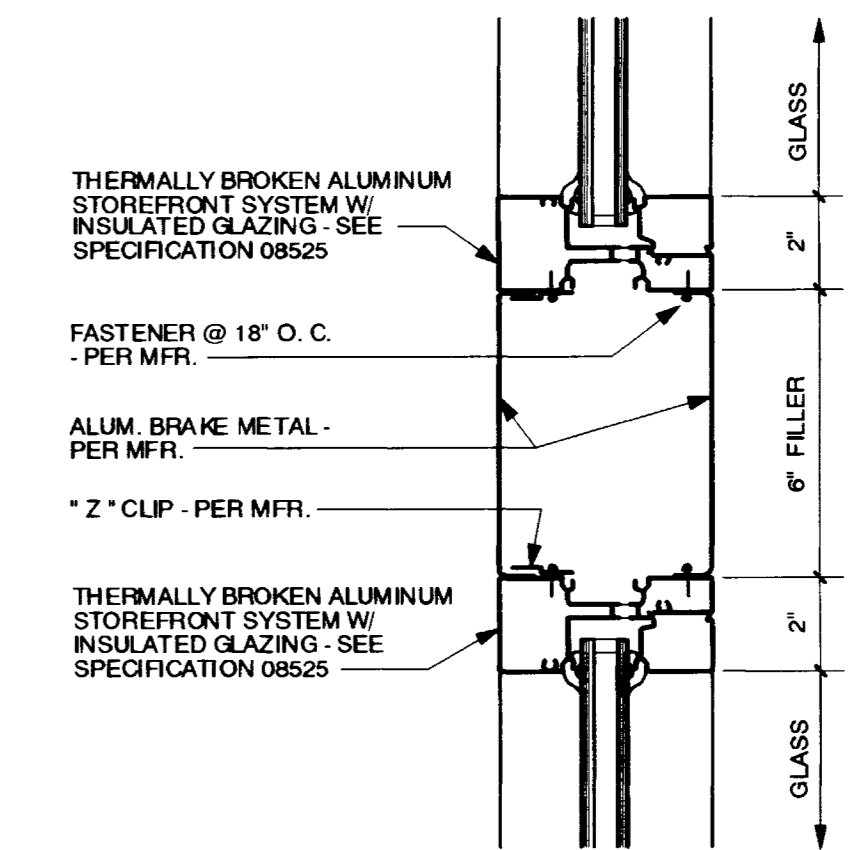
1 SILL @ STOREFRONT
A-8.3 3" = 1'-0"



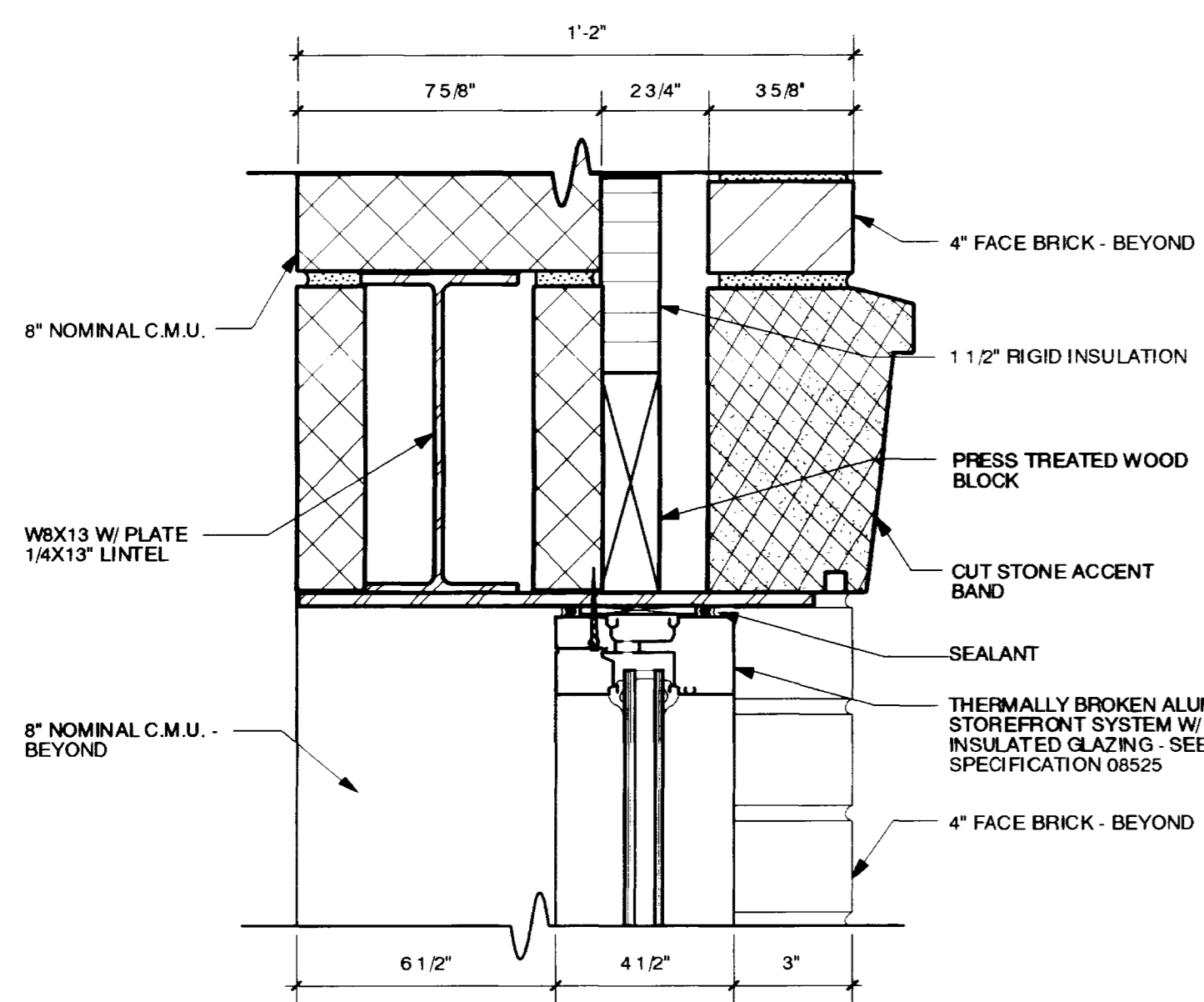
2 SILL @ STOREFRONT
A-8.3 3" = 1'-0"



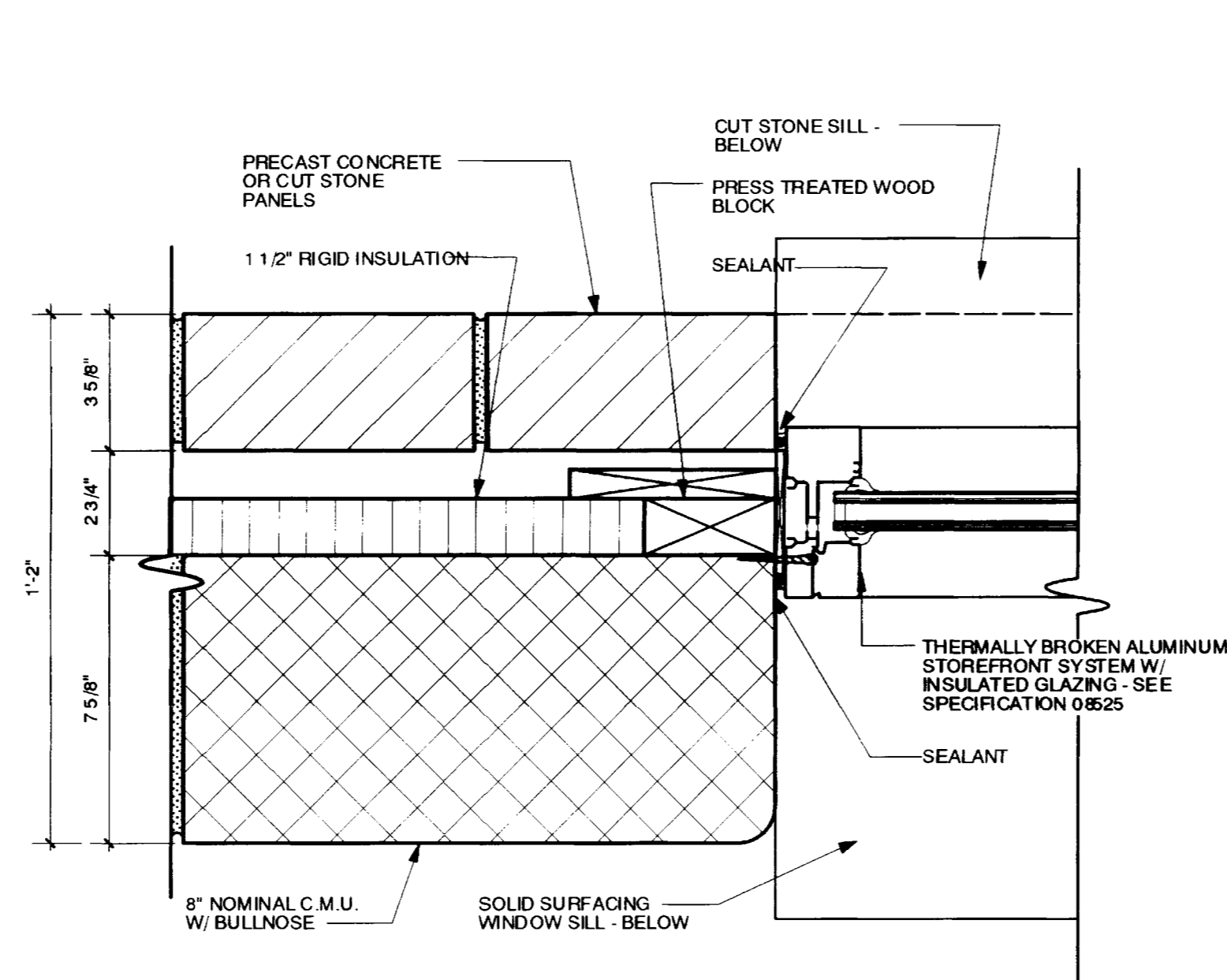
3 HEAD @ STOREFRONT
A-8.3 3" = 1'-0"



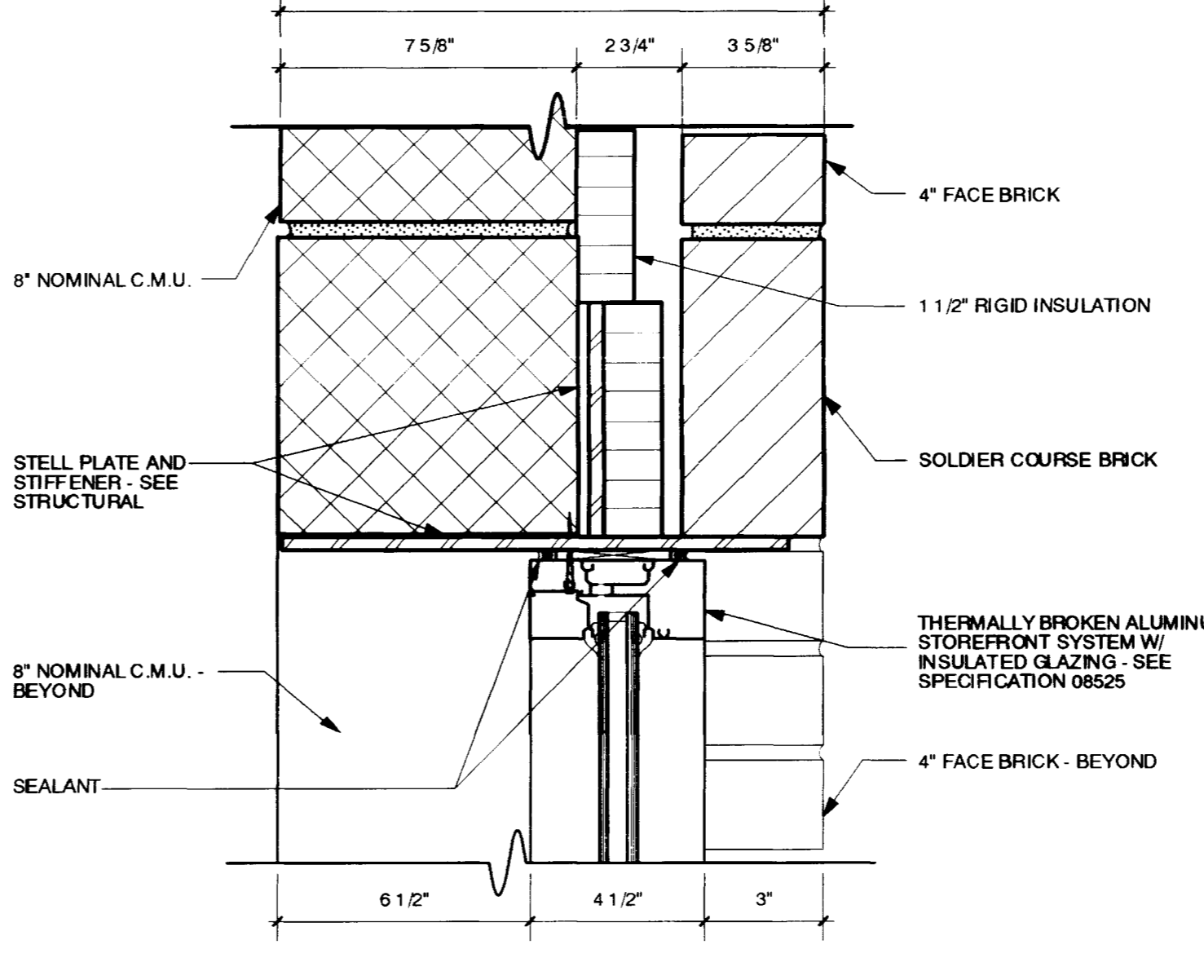
4 FILLER @ STOREFRONT
A-8.3 3" = 1'-0"



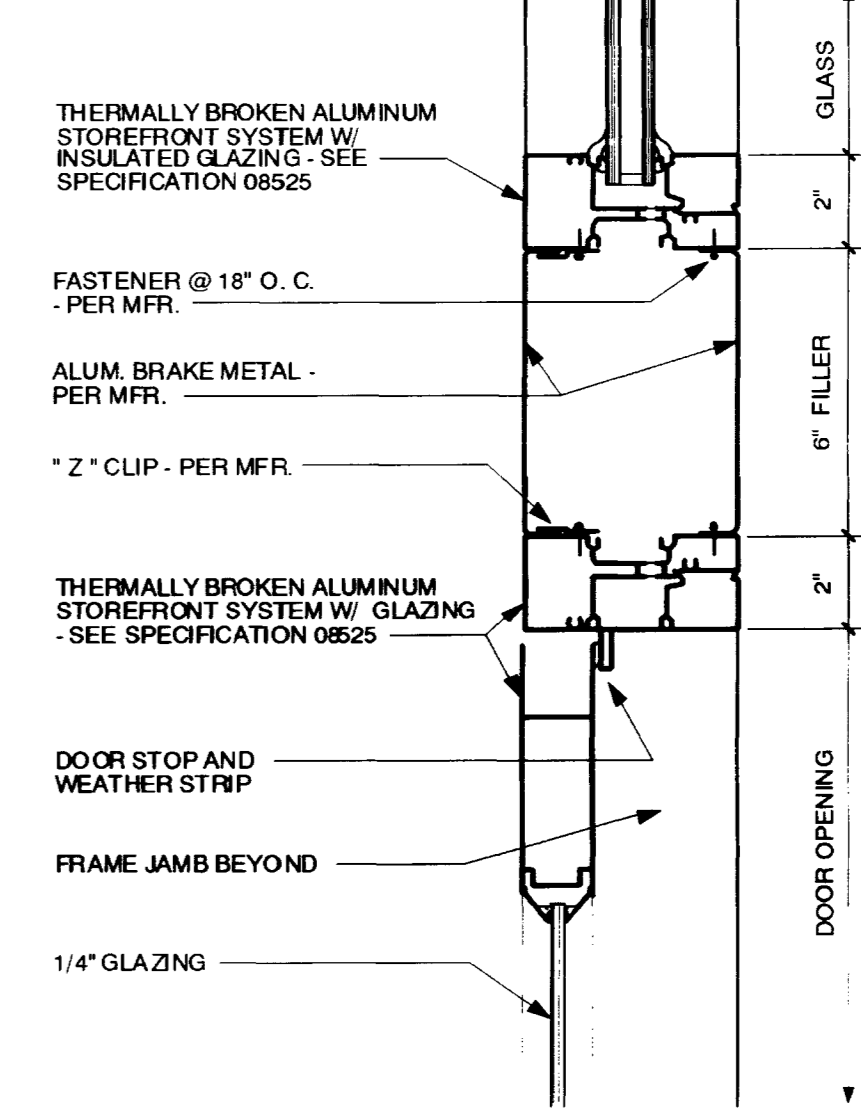
5 HEAD @ STOREFRONT
A-8.3 3" = 1'-0"



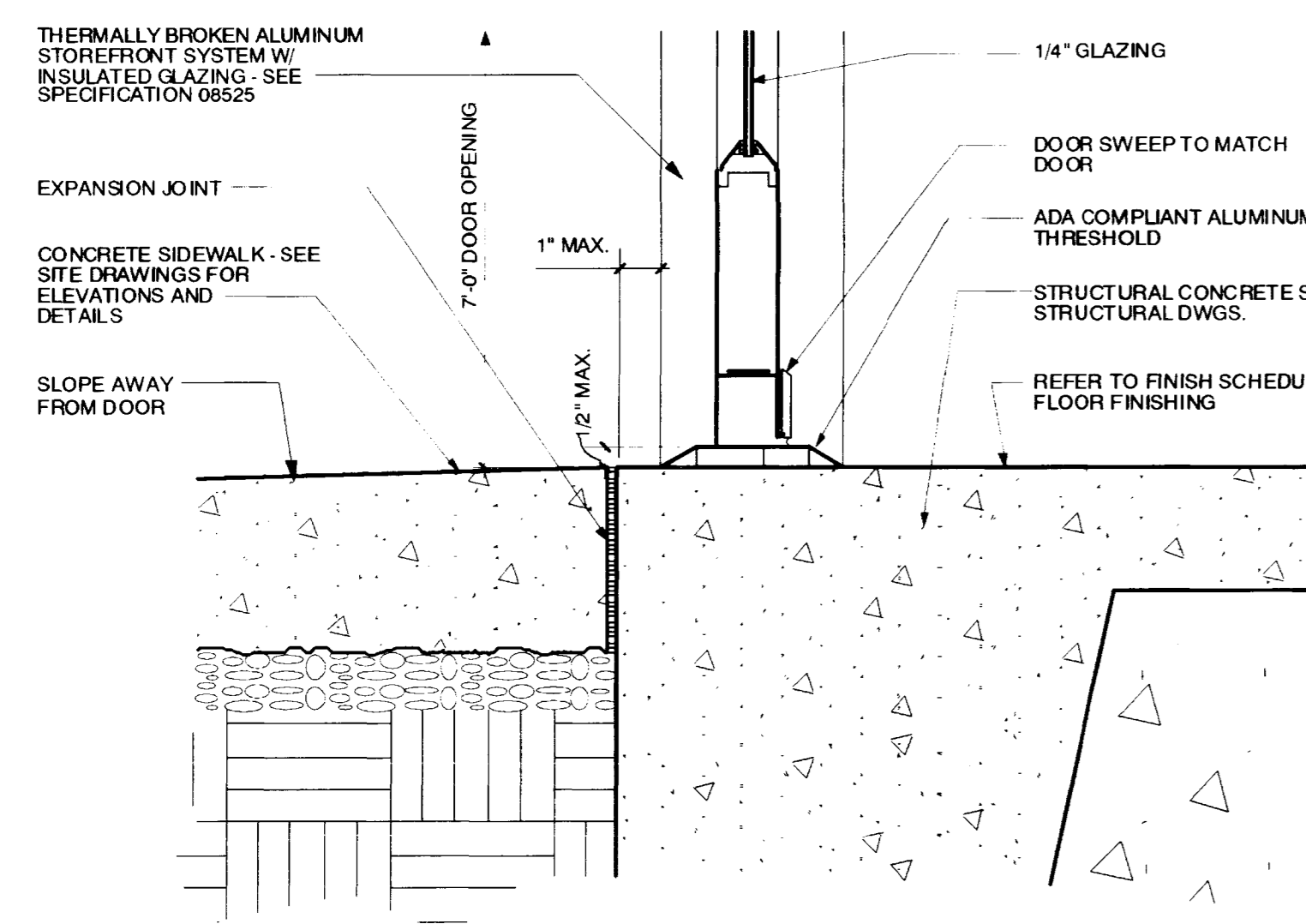
6 JAMB @ STOREFRONT
A-8.2 3" = 1'-0"



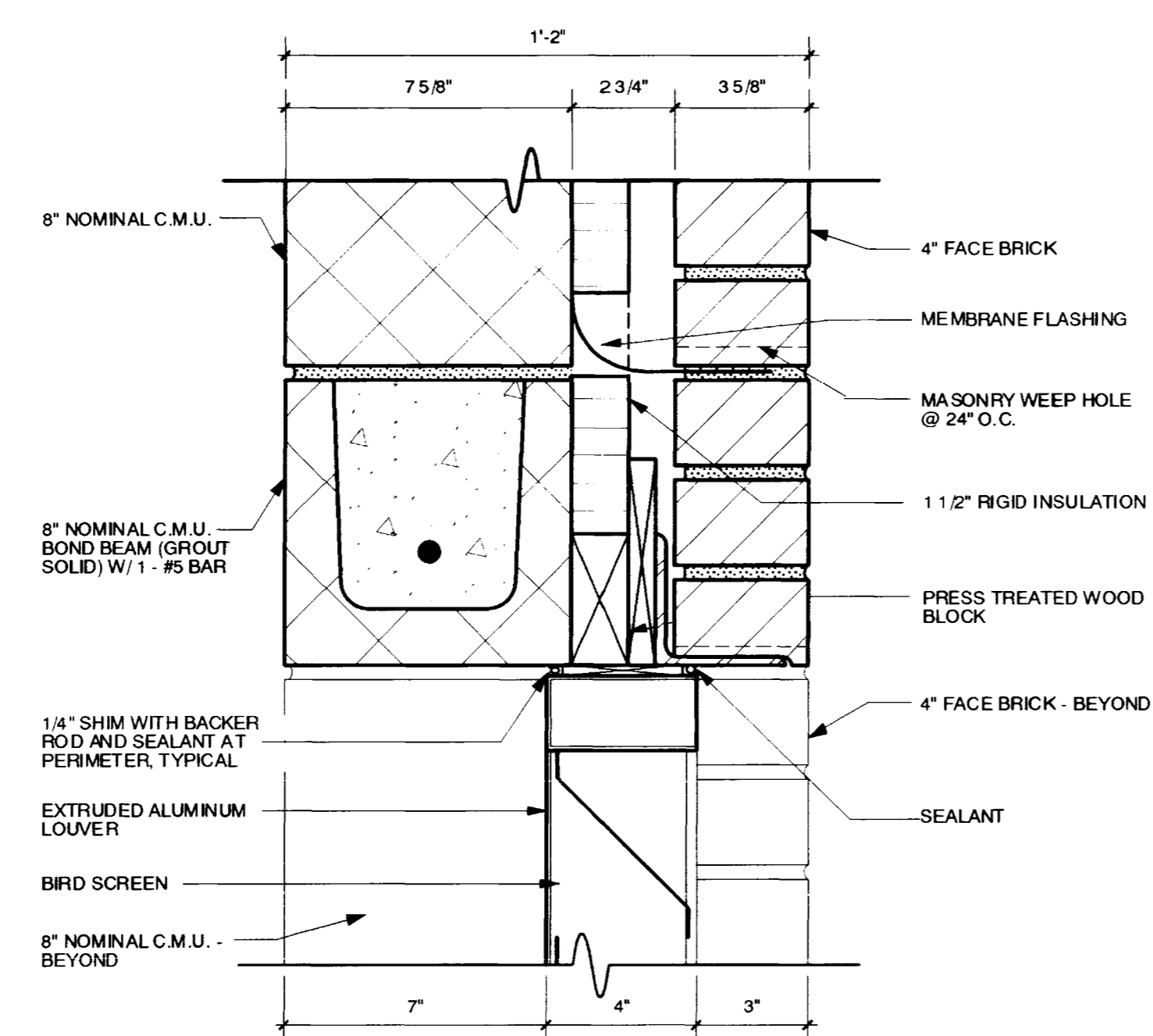
7 HEAD @ STOREFRONT
A-8.3 3" = 1'-0"



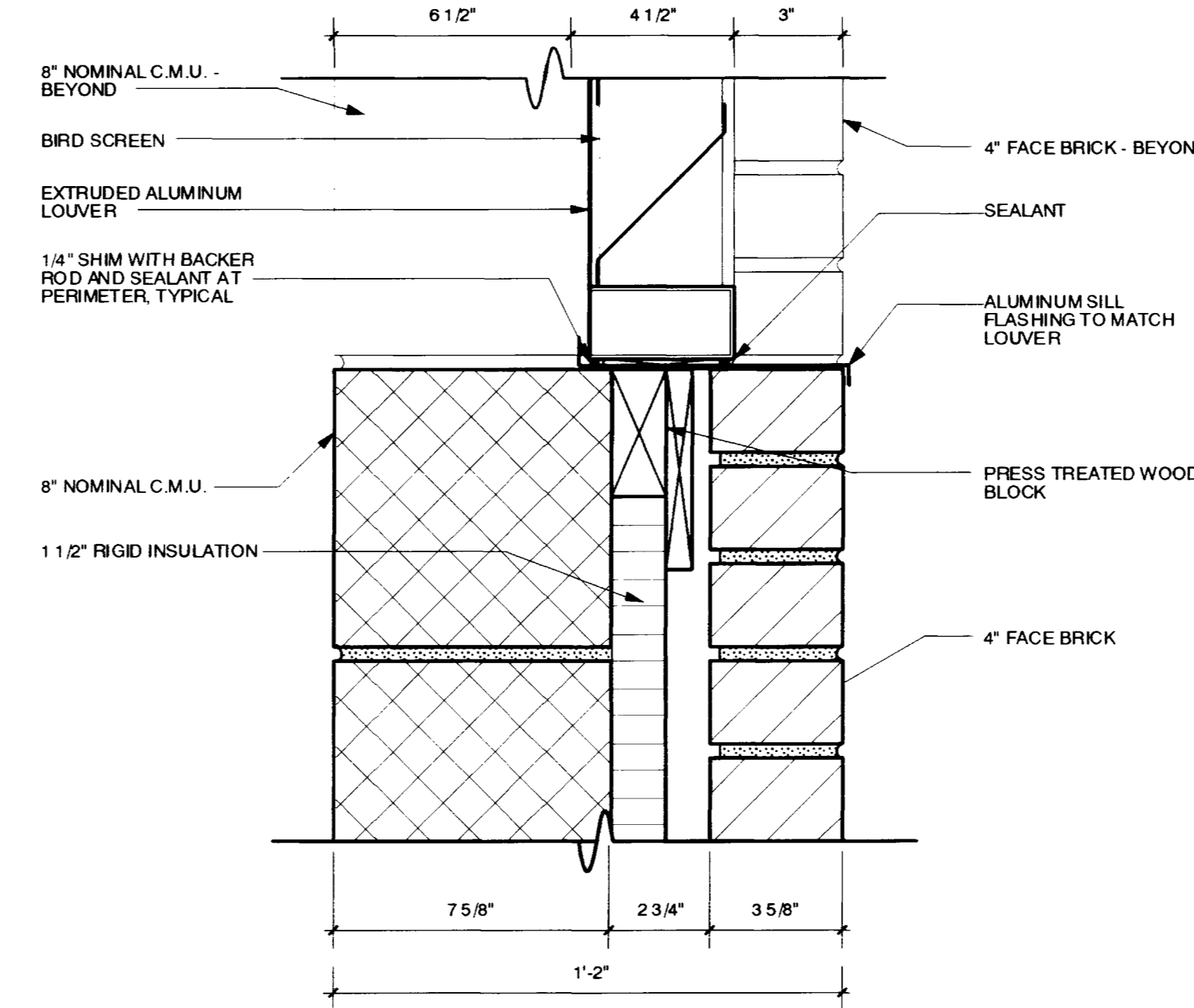
8 FILLER @ STOREFRONT
A-8.1 3" = 1'-0"



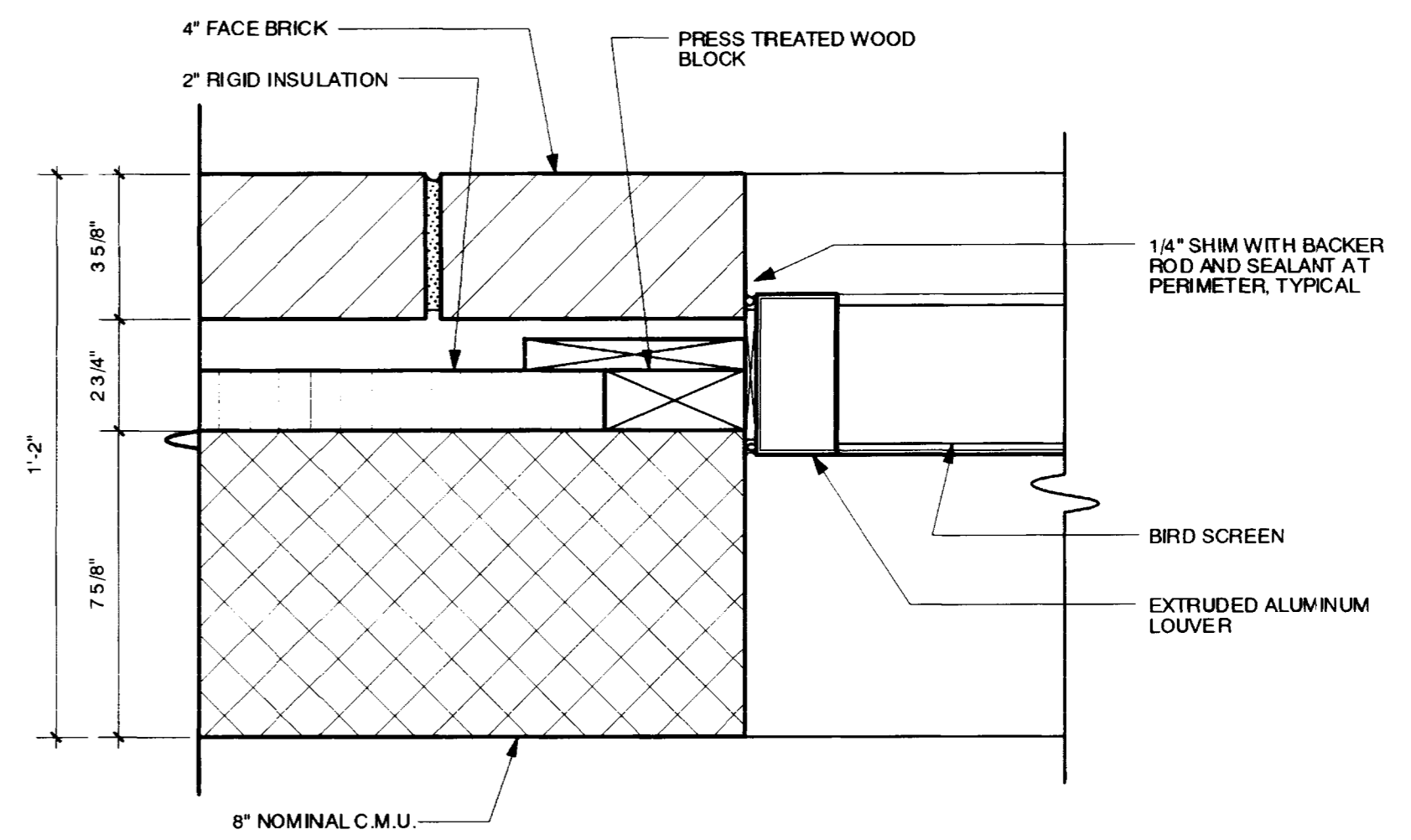
9 SILL @ STOREFRONT
A-8.3 3" = 1'-0"



10 HEAD @ LOUVER
A-8.3 3" = 1'-0"



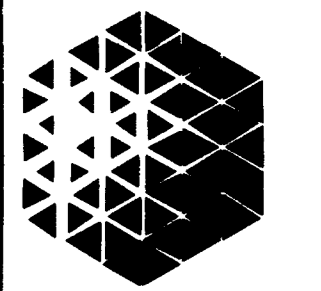
11 SILL @ LOUVER
A-8.3 3" = 1'-0"



12 JAMB @ LOUVER
A-8.3 3" = 1'-0"

RECORD DRAWINGS
These record drawings have been prepared, if applicable, by the Architect and the contractor. The contractor shall be responsible for the accuracy of the information herein incorporated into this document as a result of field observations. 6-21-02
DATE

A-8.3
Sheet # 3 of 3
DATE 21.02.02



Omni Architects
Architectural
Civil Engineering
Interior Design
Landscape Architecture
919 Madison Ave. (5th Floor)
Lexington, KY 40507
(606) 252-0884 Fax: (606) 252-2389

