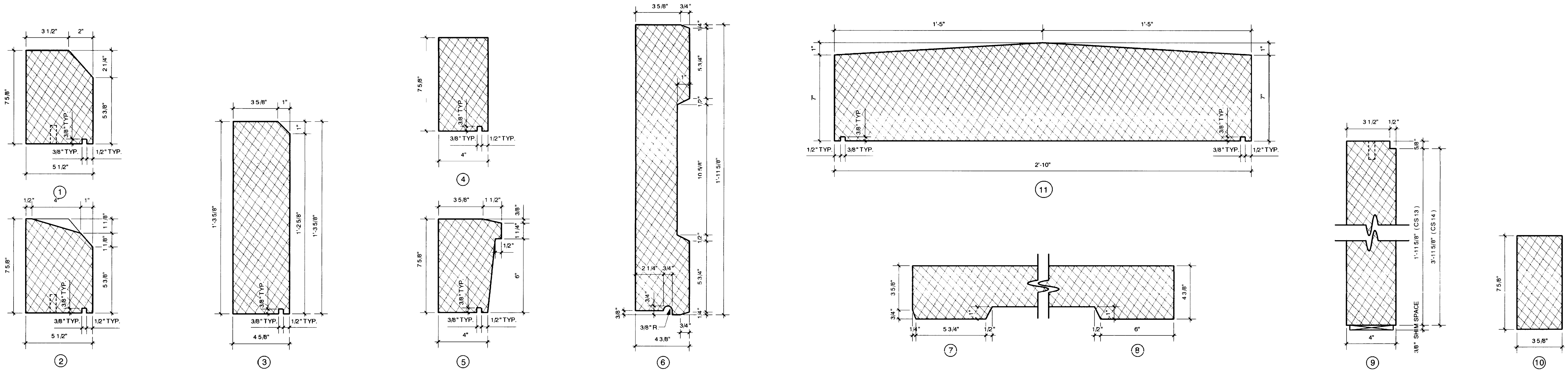


**CUT STONE ELEVATIONS**  
1"=1'-0"



**CUT STONE SHAPES**  
3"=1'-0"

