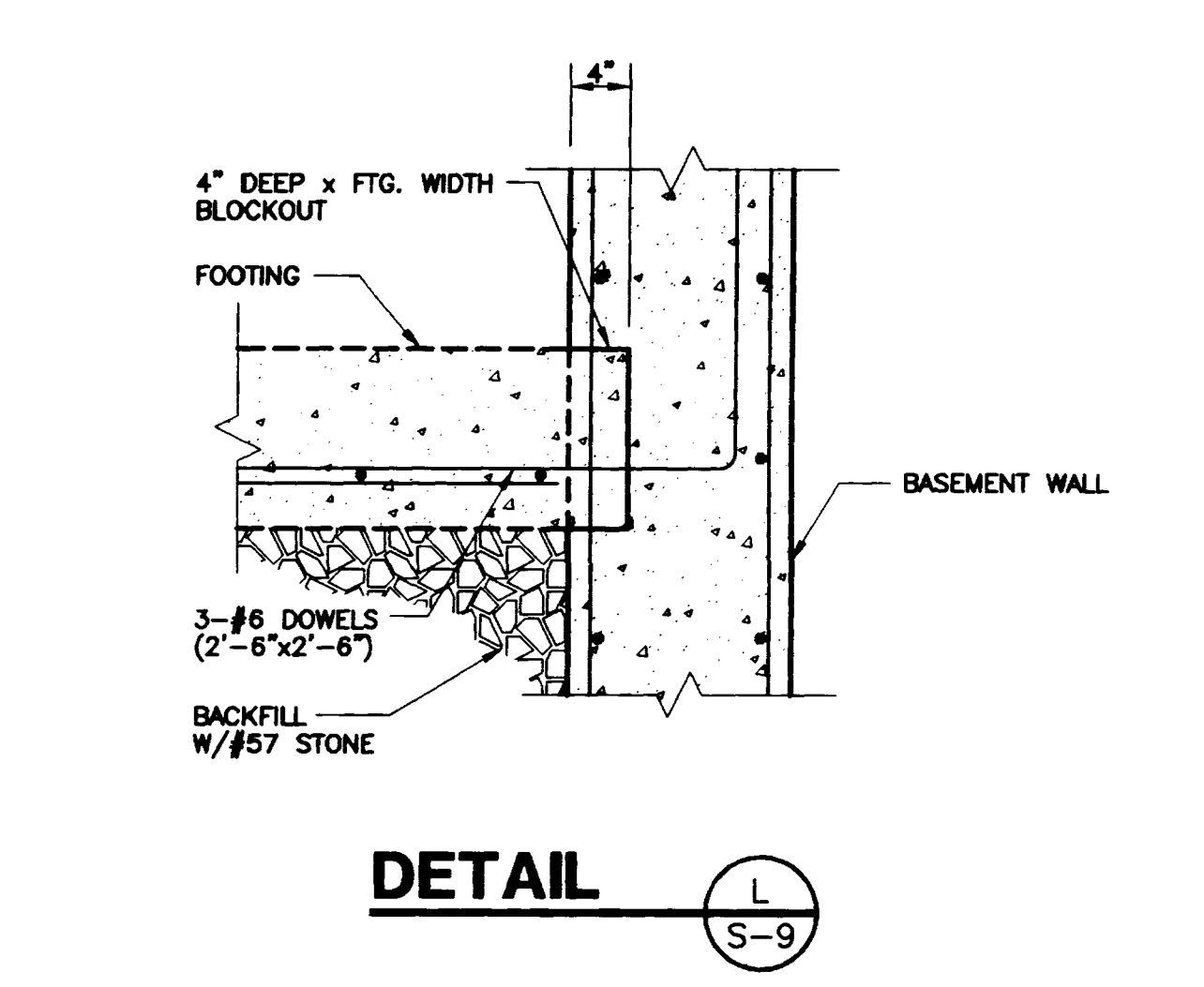
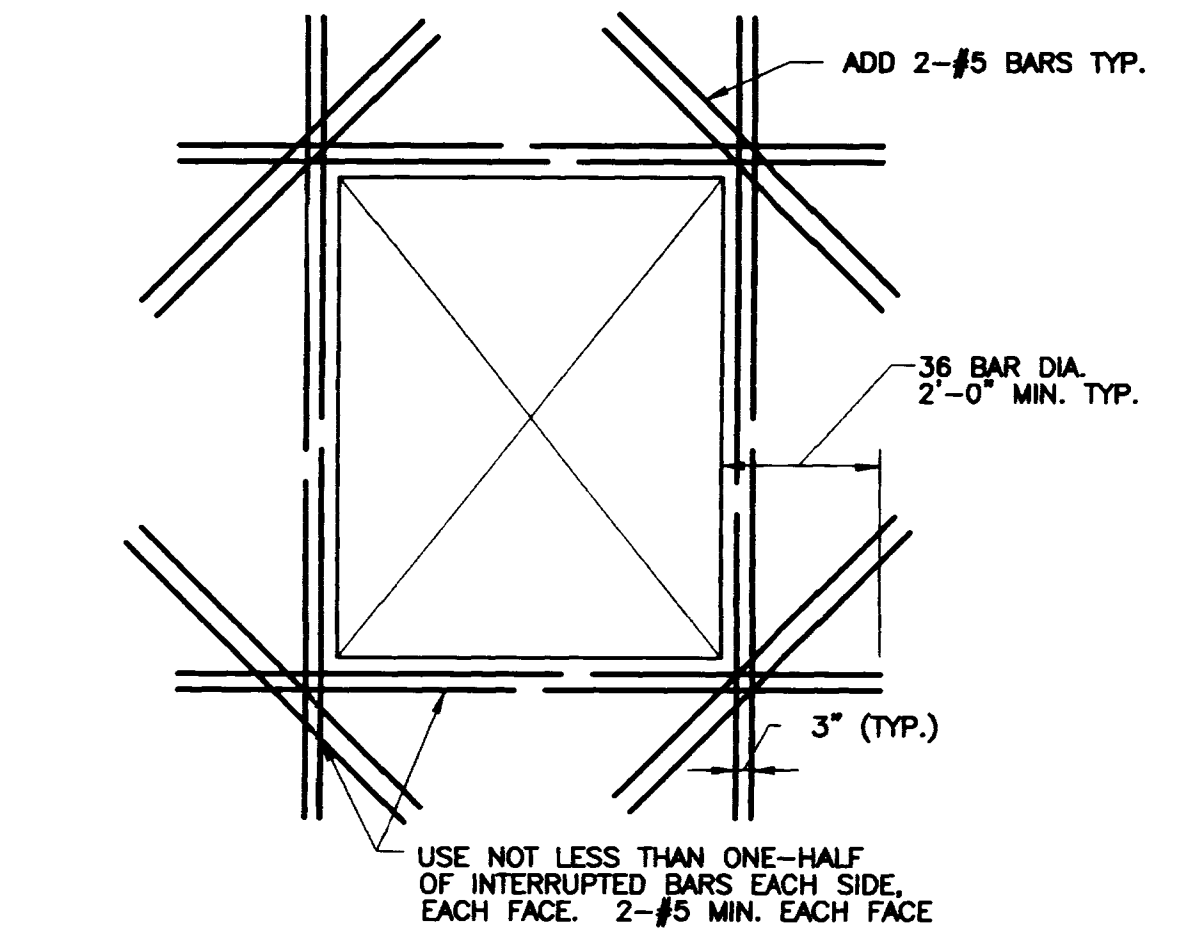
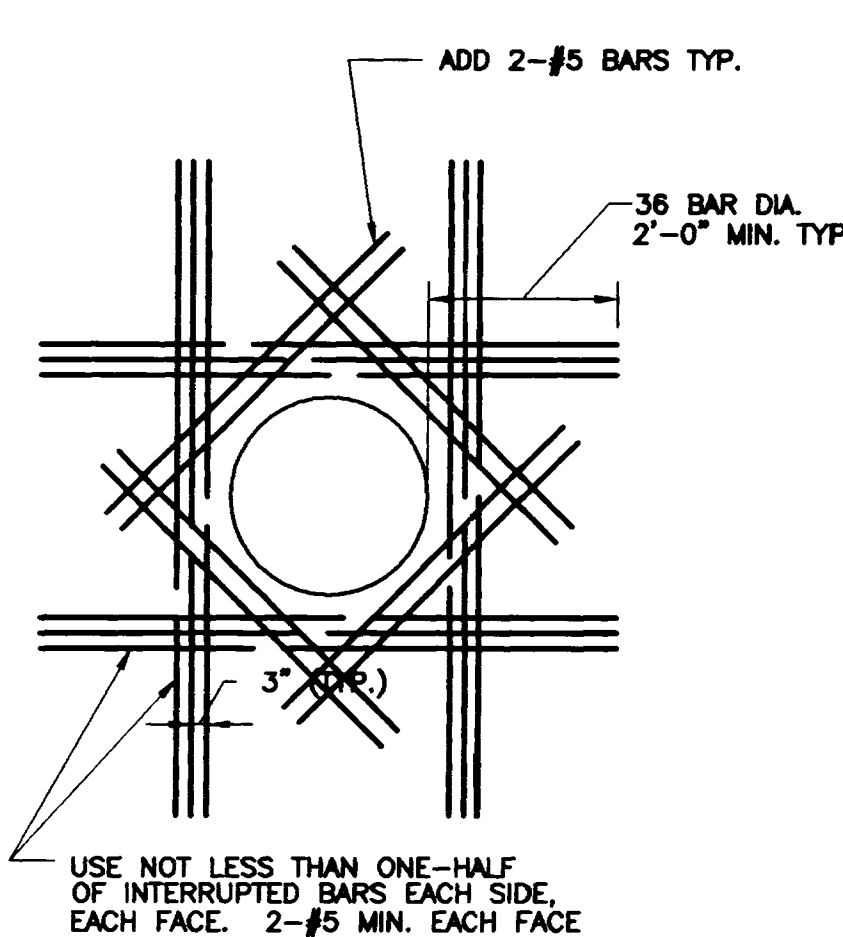
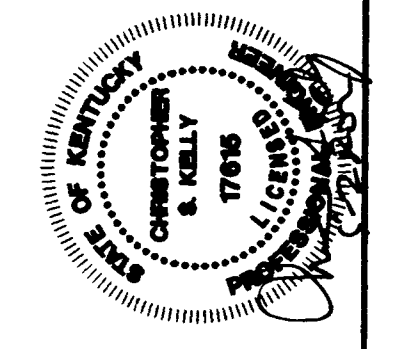


TYPICAL BASE PLATE DETAIL
TS8x8

TYPICAL BASE PLATE DETAIL
TS5x5



These Record Drawings have been prepared based on information provided by others. The Design Professional has not verified the accuracy and/or the completeness of this information and shall not be responsible for any errors or omissions which may be incorporated herein as a result.



LEXINGTON, KENTUCKY

UNIVERSITY OF KENTUCKY

FRATERNITY HOUSE REPLACEMENT - PROJECT 1747.0

SECTIONS AND DETAILS Job No: C-2413 Date: Aug - 2000 Drawn By: BCT Checked: CSK Revisions: 1 RECORD DRAWINGS 5-28-02

POAGE ENGINEERS & ASSOCIATES, INC.
444 EAST MAIN STREET
LEXINGTON, KENTUCKY 40507
PHONE: 606-253-2358
FAX: 606-253-2359

Architecture
Landscape Architecture
Civil Engineering
Planning
Interiors

Omni Architects

S-9

Zc 8-2-1