

12/32

# COMMONWEALTH OF KENTUCKY

## DEPARTMENT OF FINANCE

### ENGINEERING STAFF

## SIGMA NU FRATERNITY HOUSE

### UNIVERSITY OF KENTUCKY

GILLIG · CHRISMAN AND MILLER

ARCHITECTS ASSOCIATED

HUGH DILLEHAY & ASSOCIATES

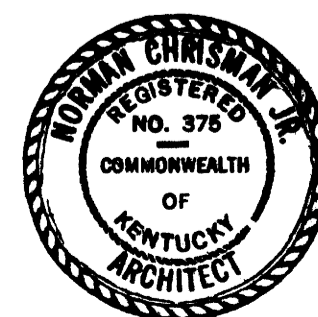
CONSULTING ENGINEERS

PERRY EADES

STRUCTURAL ENGINEER

### APRIL 1963

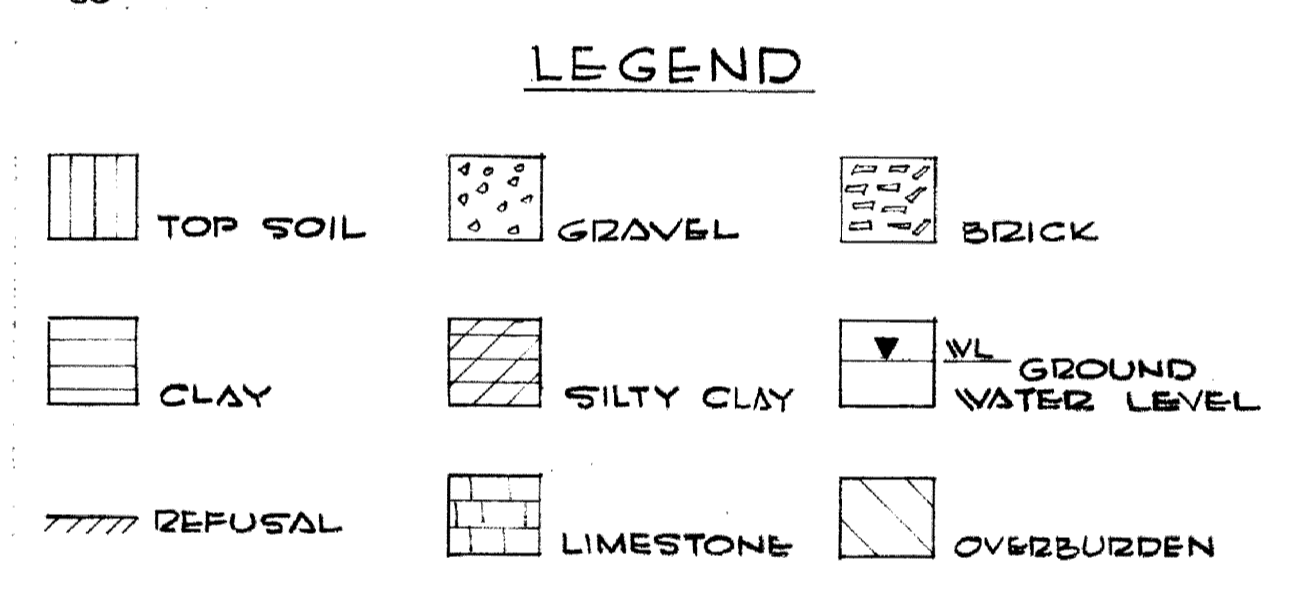
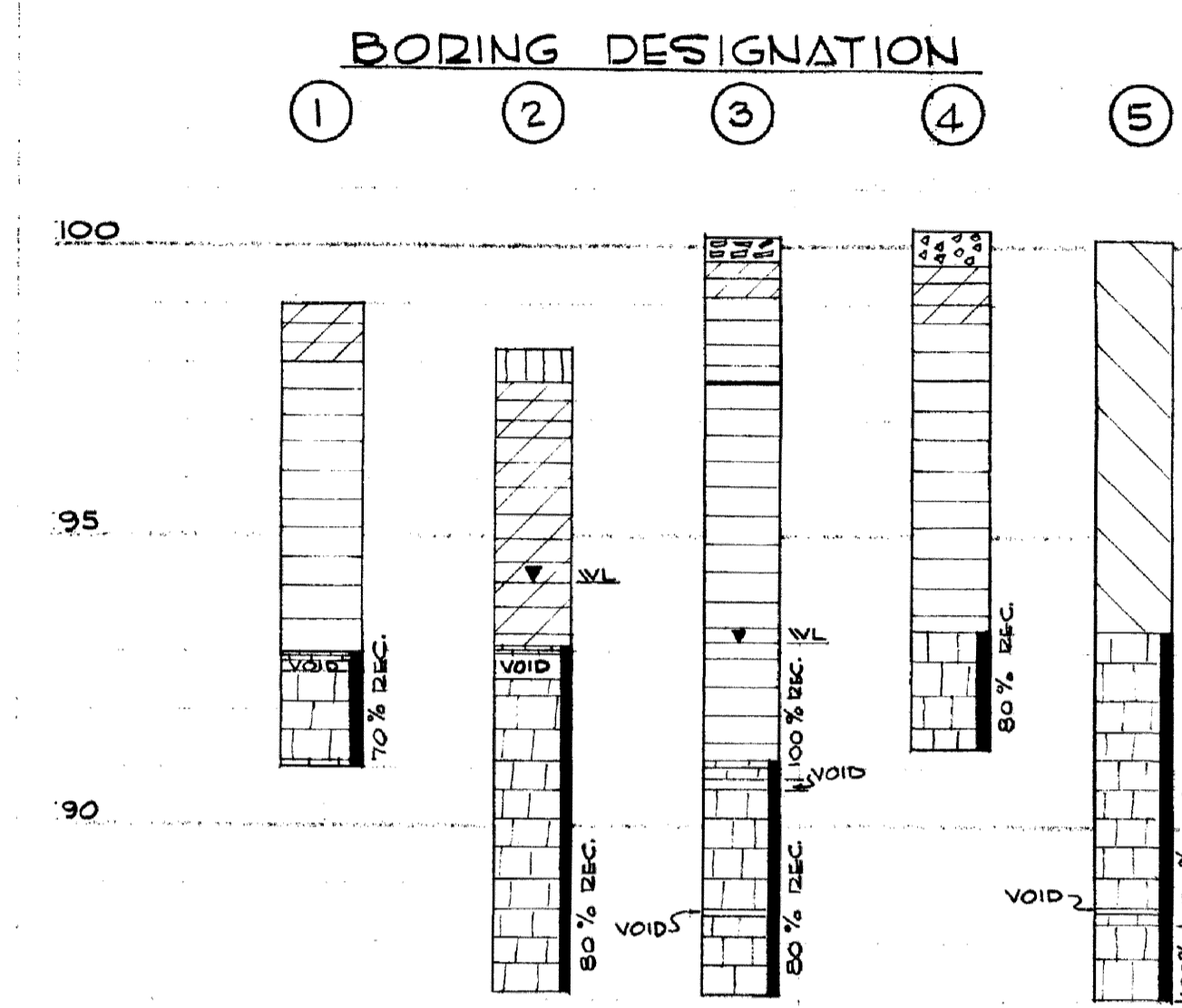
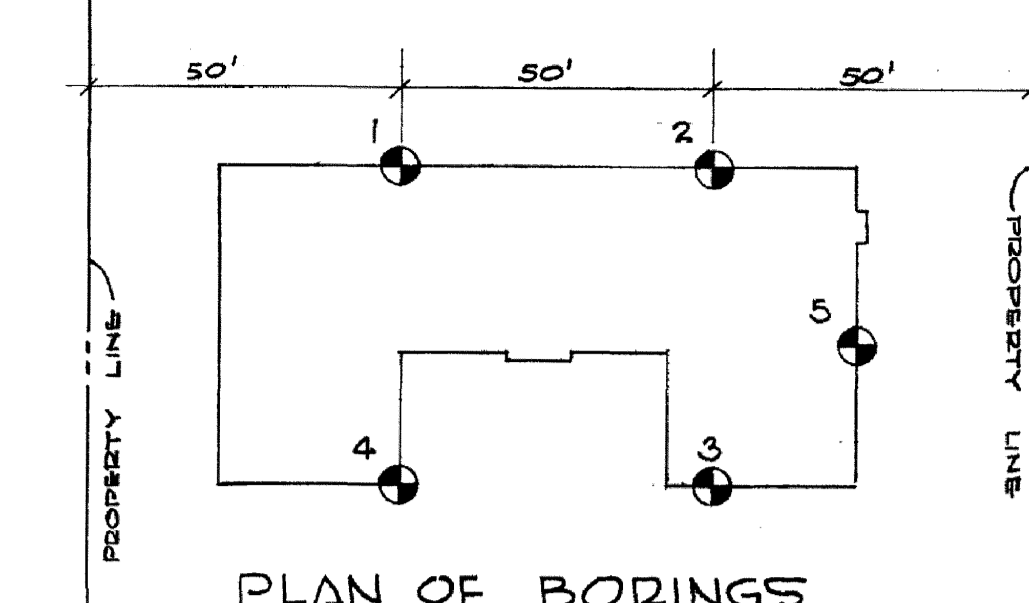
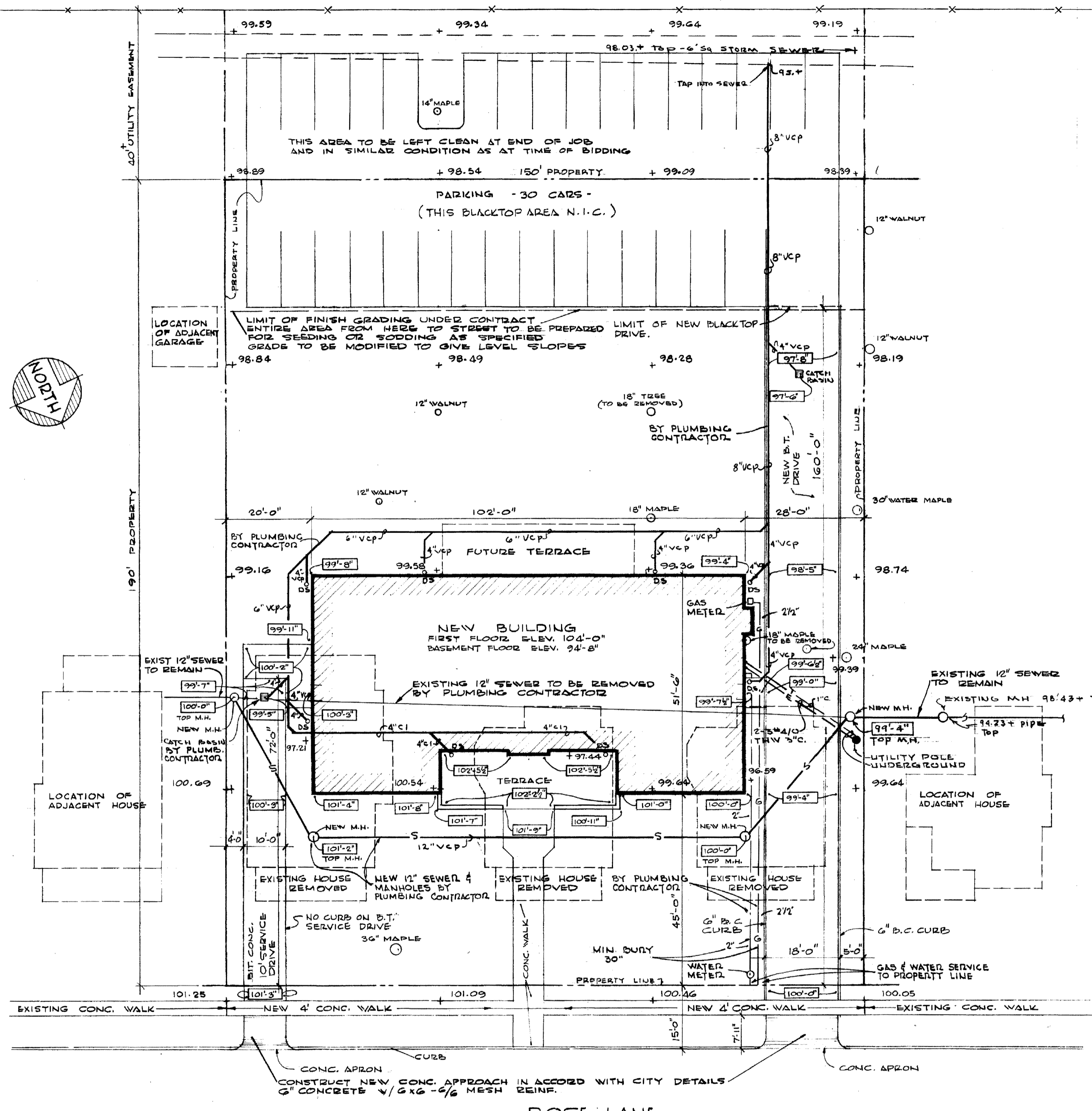
H.H.F.A. PROJECT NO. CH-KY-70(D)



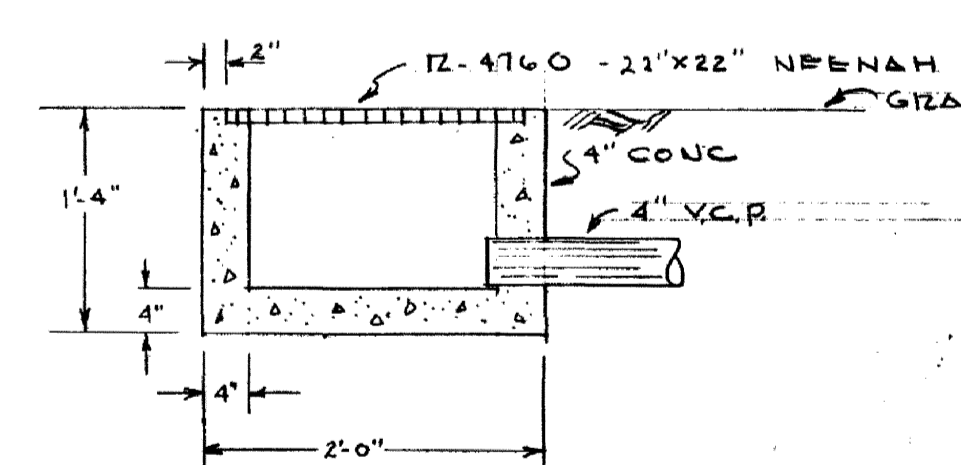
Cal# 121 B-2 Document # 008057

4-24-63

51-B2



NOTE: DOWNSPOUT HOSES SHALL BE NEENAH 12-4118 - TYP "16" - 4" 30"



MATERIALS INDICATION

[Symbol]	CONCRETE IN SECTION
[Symbol]	CONCRETE BLOCK
[Symbol]	BRICK
[Symbol]	FIRE BRICK
[Symbol]	CERAMIC TILE
[Symbol]	MARBLE
[Symbol]	SLATE
[Symbol]	PLASTER OR GYPSUM BD.
[Symbol]	WOOD
[Symbol]	PLYWOOD
[Symbol]	METAL (LARGE SECTION)
[Symbol]	METAL (SMALL SECTION)
[Symbol]	ACOUSTICAL MATERIAL
[Symbol]	RIGID INSULATION
[Symbol]	EARTH

SYMBOLS

[Symbol]	SECTION (DETAIL) MARK
[Symbol]	SHEET SECTION DETAILED ON
[Symbol]	CROSS SECTION
[Symbol]	ROOM NUMBER
[Symbol]	DOOR NUMBER
[Symbol]	WINDOW TYPE
[Symbol]	WINDOW INDICATION HEAD, JAMB & SILL COND.

LIST OF DRAWINGS

BD. SH. NO.	SHEET TITLE
A-1	PLOT PLAN - SYMBOLS
A-2	BASEMENT PLAN - RM FIN. SCHED.
A-3	FIRST FLOOR PLAN - RM FIN. SCHED. & DET.
A-4	SECOND FLOOR PLAN - RM FIN. SCHED. & DET.
A-5	ROOF FRAMING PLAN - DETAILS
A-6	FRONT ELEVATION - DETAILS
A-7	END ELEVATIONS - KITCHEN DET.
A-8	REAR ELEVATION
A-9	TRANSVERSE SECTION - DETAILS
A-10	ENTRANCE DET. - FIREPLACE DET.
A-11	DOOR & FRAME SCHED. & DET. - WINDOW DET.
A-12	STAIR DETAILS

STRUCTURAL

S-1	FIRST FLOOR FRAMING
S-2	SECOND FLOOR FRAMING
S-3	ATTIC FRAMING PLAN

PLUMBING

P-1	BASEMENT PLAN
P-2	FIRST FLOOR PLAN
P-3	SECOND FLOOR PLAN

HEATING & VENTILATING

H-1	BASEMENT PLAN
H-2	FIRST FLOOR PLAN
H-3	SECOND FLOOR PLAN
H-4	DETAILS
H-5	ALTERNATE - BASEMENT PLAN
H-6	ALTERNATE - FIRST FLOOR PLAN
H-7	ALTERNATE - SECOND FL. PLAN
H-8	ALTERNATE - DETAILS

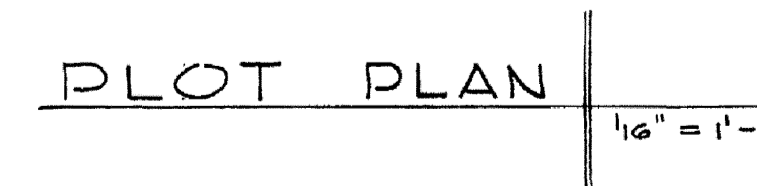
ELECTRICAL

E-1	BASEMENT PLAN
E-2	FIRST FLOOR PLAN
E-3	SECOND FLOOR PLAN

LEGEND

98.2 +	EXISTING GRADES
97'-8"	FINISH GRADES
-W-	WATER
-G-	GAS
-S-	SANITARY SEWER
-SS-	STORM SEWER
-E&T-	ELECTRIC & TELEPHONE
(N.I.C.)	NOT IN THIS CONTRACT
M.H.	MANHOLE
D.S.	DOWNSPOUT

TELEPHONE ON SOUTH SIDE OF STREET  
ELECTRIC SERVICE LINE ON NORTH SIDE OF STREET



HUGH DILLEHAY  
And Associates  
Consulting Engineers  
LEXINGTON, KENTUCKY

STATE OF KENTUCKY  
HUGH D DILLEHAY  
2886  
REGISTERED PROFESSIONAL ENGINEER

STATE OF KENTUCKY  
KENNETH H. DARNELL  
4499  
REGISTERED PROFESSIONAL ARCHITECT

DATE 5/21/63

APPROVED FOR GILLIG, CHRISMAN & MILLER  
Norman Chrisman, J. 5-2-63

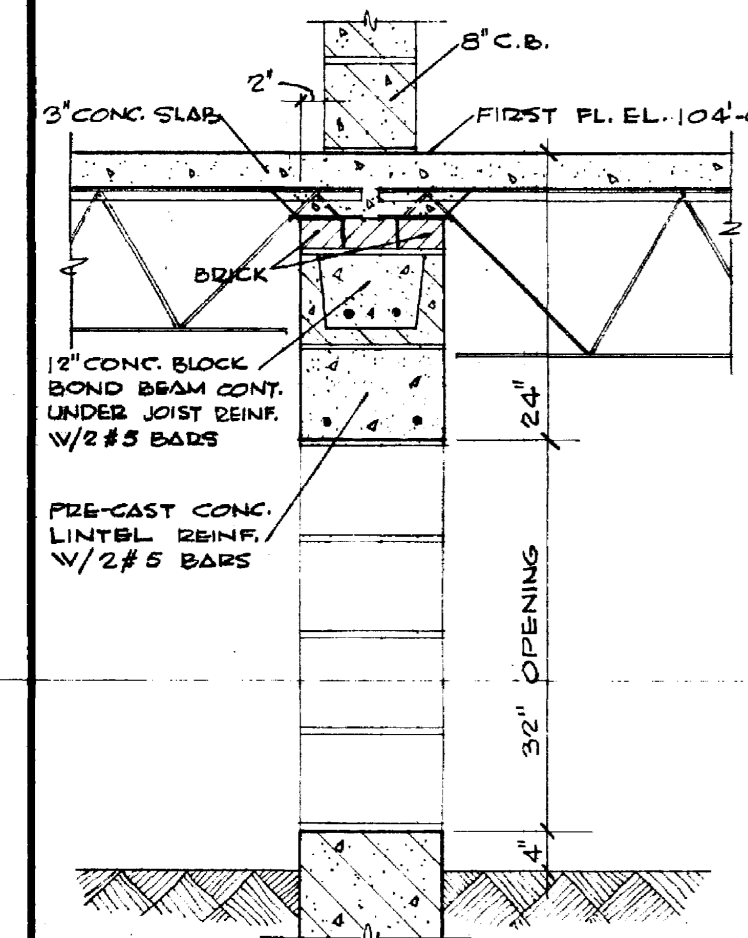
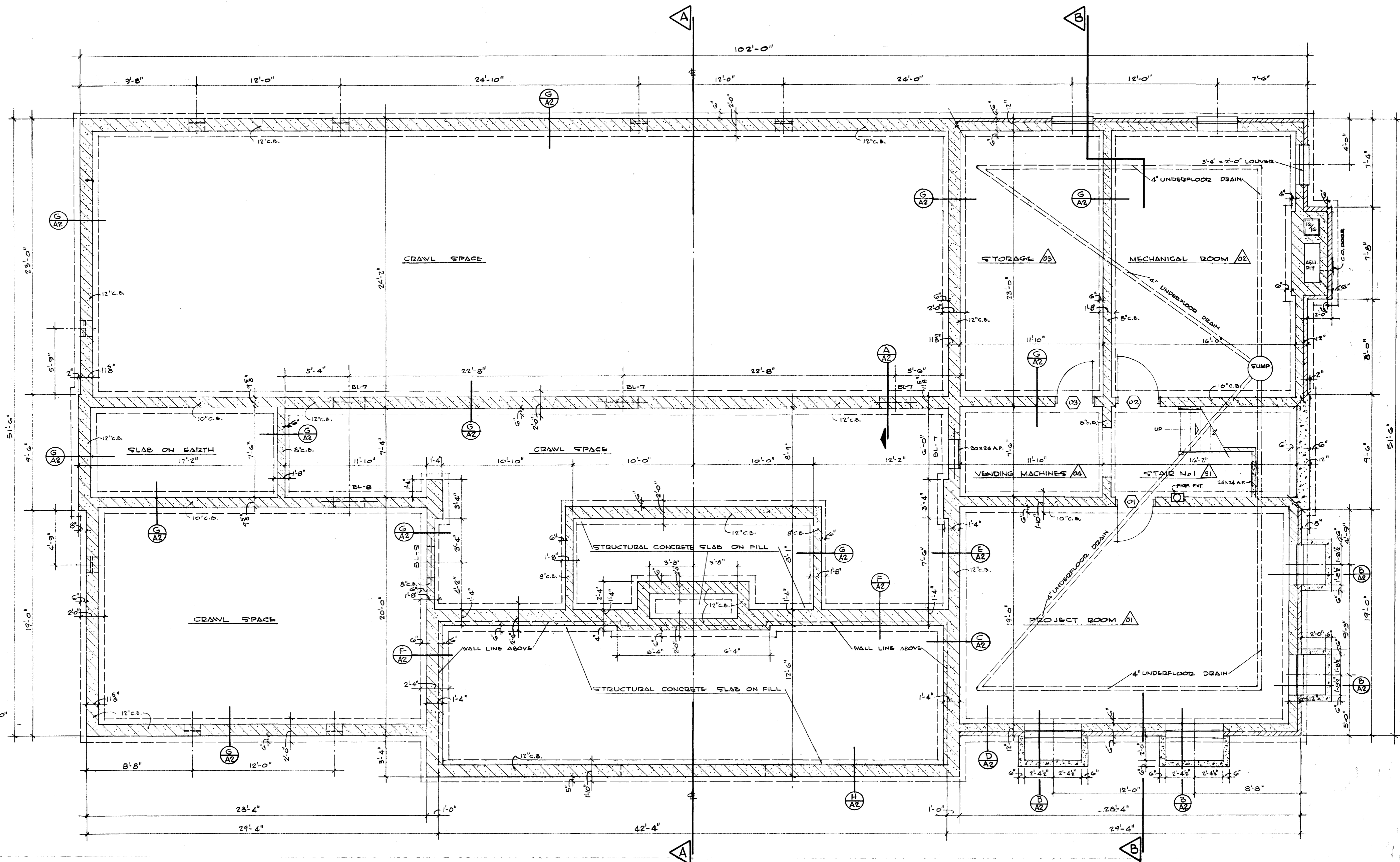
PLOT PLAN - TEST BORINGS - SYMBOLS

SIGMA NU FRATERNITY HOUSE  
UNIVERSITY OF KENTUCKY  
LEXINGTON, KENTUCKY

DRAWN BY L.T.	DATE 5-2-63
TRACED BY	SCALE
CHECKED BY N.C.	SPEC. NO.
REVISIONS	DRAWING NO. A1
APPROVED BY Keith Ashley	DATE 5-24-63

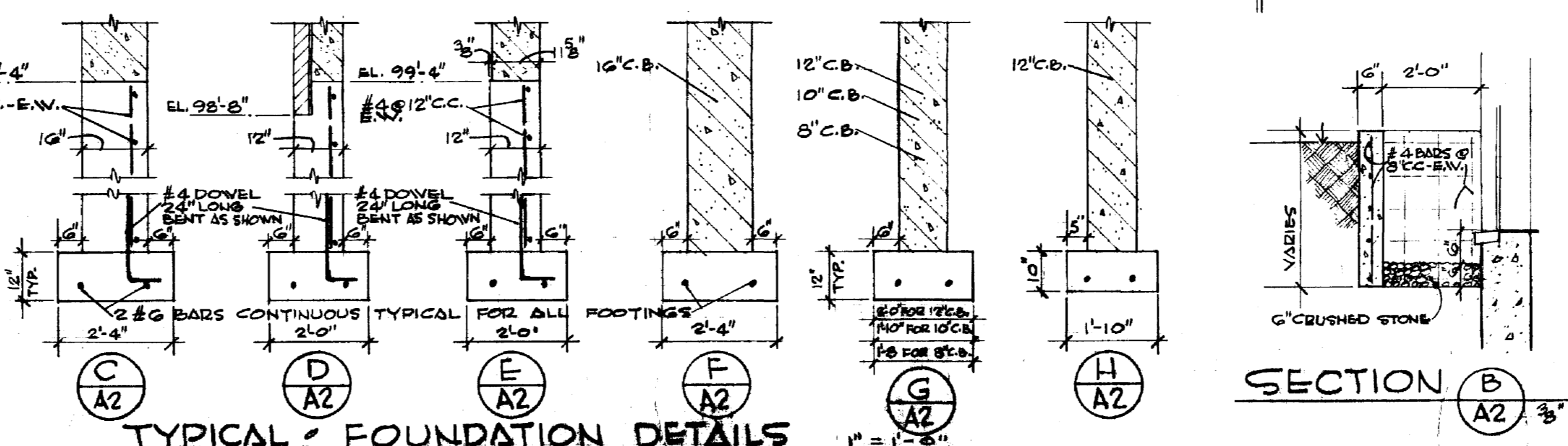
COMMONWEALTH OF KENTUCKY  
DEPARTMENT OF FINANCE  
ENGINEERING STAFF  
FRANKFORT, KENTUCKY

11-2405



SECTION A-A2  
 FOR 10" AND 8" CONC. BLK. WALLS,  
 BOND BEAM & LINTEL TO BE SAME  
 THICKNESS AS WALL

ROOM NO.	ROOM DESIGNATION	FLOOR	BASE	WALLS	CEILING	REMARKS
01	PROJECT ROOM	VINYL ASBESTOS	VINYL COVE	PAINTED CONC. & C.B.	2HR. ACUSTICAL	
02	MECHANICAL ROOM	CONCRETE	NONE	DO	2HR. FIN. PLAS. ON METLUM	
03	STORAGE	DO	DO	DO	DO	
04	VENDING MACHINES	VINYL ASBESTOS	VINYL COVE	DO	2HR. ACUSTICAL	
05	STAIR No 1	DO	DO	DO		RUBBER TREADS ON STAIRS



SECTION B-B2  
 3/8" = 1'-0"

BASEMENT PLAN  
 1/4" = 1'-0"

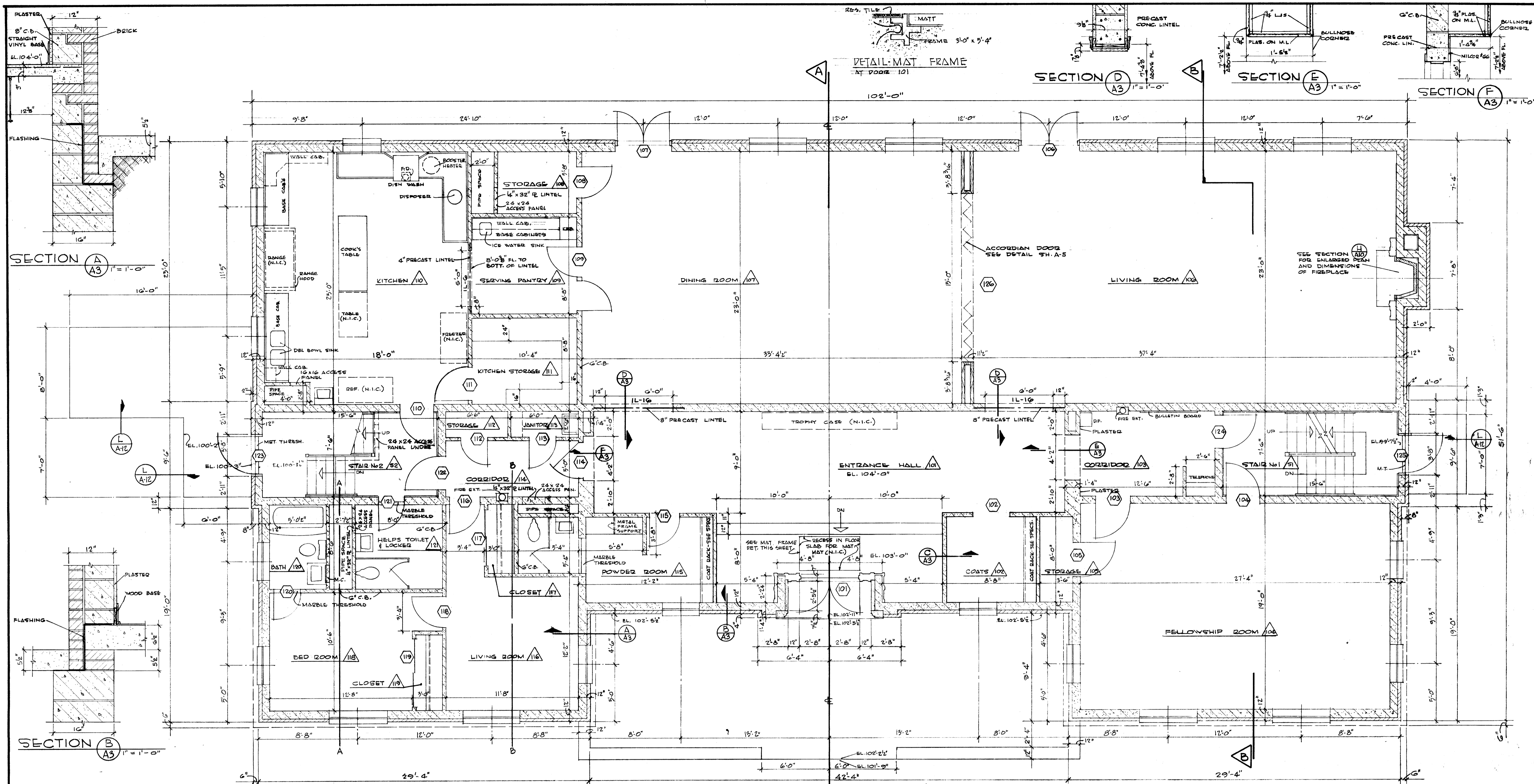
**BASEMENT PLAN - RM. FINISH SCHED.**

**SIGMA NU FRATERNITY HOUSE**  
**UNIVERSITY OF KENTUCKY**  
 LEXINGTON, KENTUCKY

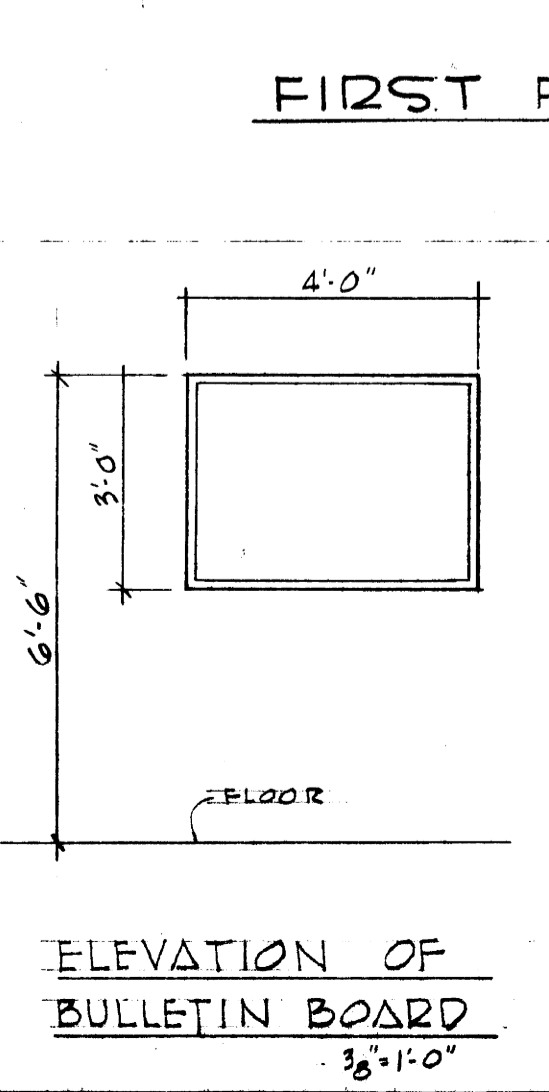
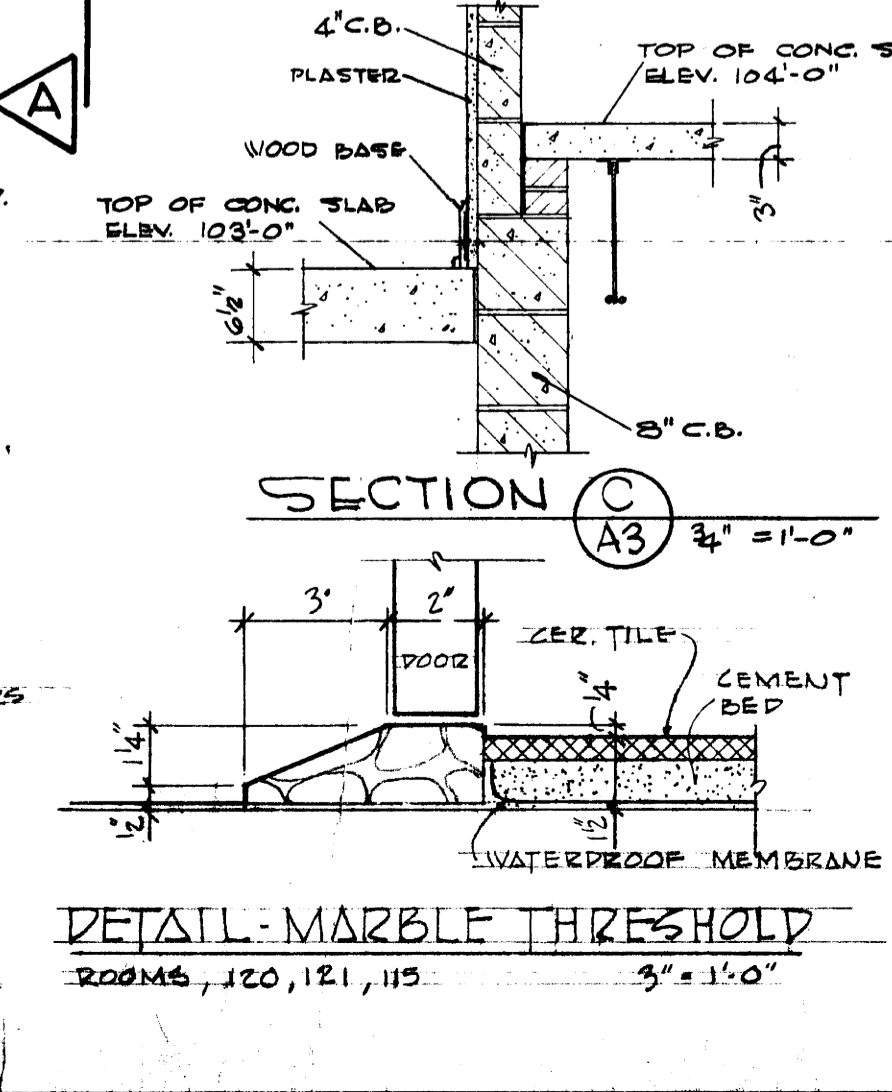
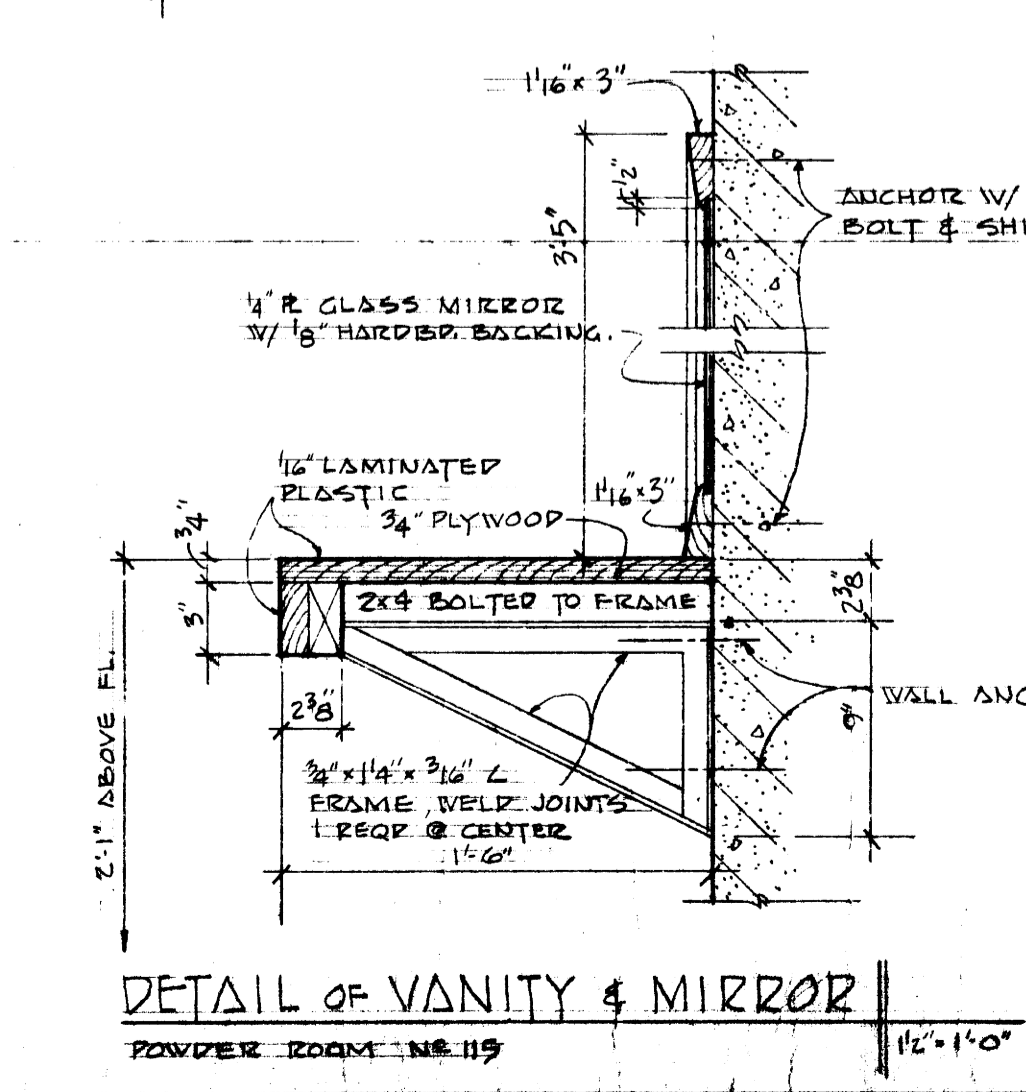
REGISTERED ARCHITECT  
 COMMONWEALTH OF KENTUCKY  
 NO. 375

REGISTERED ARCHITECT  
 COMMONWEALTH OF KENTUCKY  
 NO. 632

DRAWN BY L.T.	DATE 5-2-63
TRACED BY GILLIG • CHRISMAN & MILLER	SCALE AS SHOWN
CHECKED BY N.C.	SPEC. NO.
REVISIONS	DRAWING NO. A2
COMMONWEALTH OF KENTUCKY DEPARTMENT OF FINANCE ENGINEERING STAFF FRANKFORT, KENTUCKY	
APPROVED BY <i>Leslie K. Kavenagh</i>	DATE 5-3-63
APPROVED BY <i>Keith Ashby</i>	DATE 5-24-63



ROOM No.	ROOM DESIGNATION	FLOOR	BASE	WALLS	CEILING	REMARKS
101	ENTRANCE HALL	VINYL ASBESTOS	WOOD	SMOOTH FIN. PLASTER	2HR. ACoustICAL	RUBBER TRAILS ON STEPS
102	COATS	DO	VINYL COVE	PAINT CONC. BLK.	DO	
103	CORRIDOR	DO	DO	DO	DO	
104	FELLOWSHIP ROOM	DO	DO	DO	DO	
105	STORAGE	ASPHALT TILE	DO	DO	SAND FIN. PLASTER	
106	LIVING ROOM	VINYL ASBESTOS	WOOD	SMOOTH FIN. PLASTER	2HR. ACoustICAL	
107	DINING ROOM	DO	DO	DO	DO	
108	STORAGE	ASPHALT TILE	VINYL COVE	PAINT CONC. BLK.	SAND FIN. PLASTER	
109	SERVING PANTRY	VINYL ASBESTOS	DO	DO	SMOOTH FIN. PLASTER	
110	KITCHEN	DO	DO	PLASTIC GLAZE ON C.B.	SMOOTH FIN. PLASTER	
111	KITCHEN STORAGE	ASPHALT TILE	DO	DO	SAND FIN. PLASTER	
112	STORAGE	DO	DO	DO	DO	
113	JANITOR	DO	DO	DO	DO	
114	CORRIDOR	VINYL ASBESTOS	DO	DO	2HR. ACoustICAL	
115	POWDER ROOM	VINYL ASBESTOS/CONC. TILE	VINYL/CONC. TILE	DO	SAND FIN. PLASTER	CERAMIC TILE FLOOR & WALLS TOILET AREA
116	LIVING ROOM	CONCRETE (CARPET N.I.C.)	STRAIGHT VINYL	SMOOTH FIN. PLASTER	SMOOTH FIN. PLASTER	
117	CLOSET	ASPHALT TILE	VINYL COVE	PAINT CONC. BLOCK	DO	
118	BED ROOM	CONCRETE (CARPET N.I.C.)	STRAIGHT VINYL	SMOOTH FIN. PLASTER	DO	
119	CLOSET	ASPHALT TILE	VINYL COVE	PAINT CONC. BLOCK	DO	
120	BATH	CERAMIC TILE	CERAMIC TILE	CONC. TILE WAINCOT	DO	PLASTIC GLAZE ON C.B. ABOVE WAINCOT
121	HELPS TOILET & LOCKER	DO	DO	PAINT CONC. BLK.	DO	
51	STAIR No 1	VINYL ASBESTOS	VINYL COVE	DO	DO	RUBBER TRAILS
52	STAIR No 2	DO	DO	DO	DO	DO



FIRST FLOOR PLAN 1/4" = 1'-0"

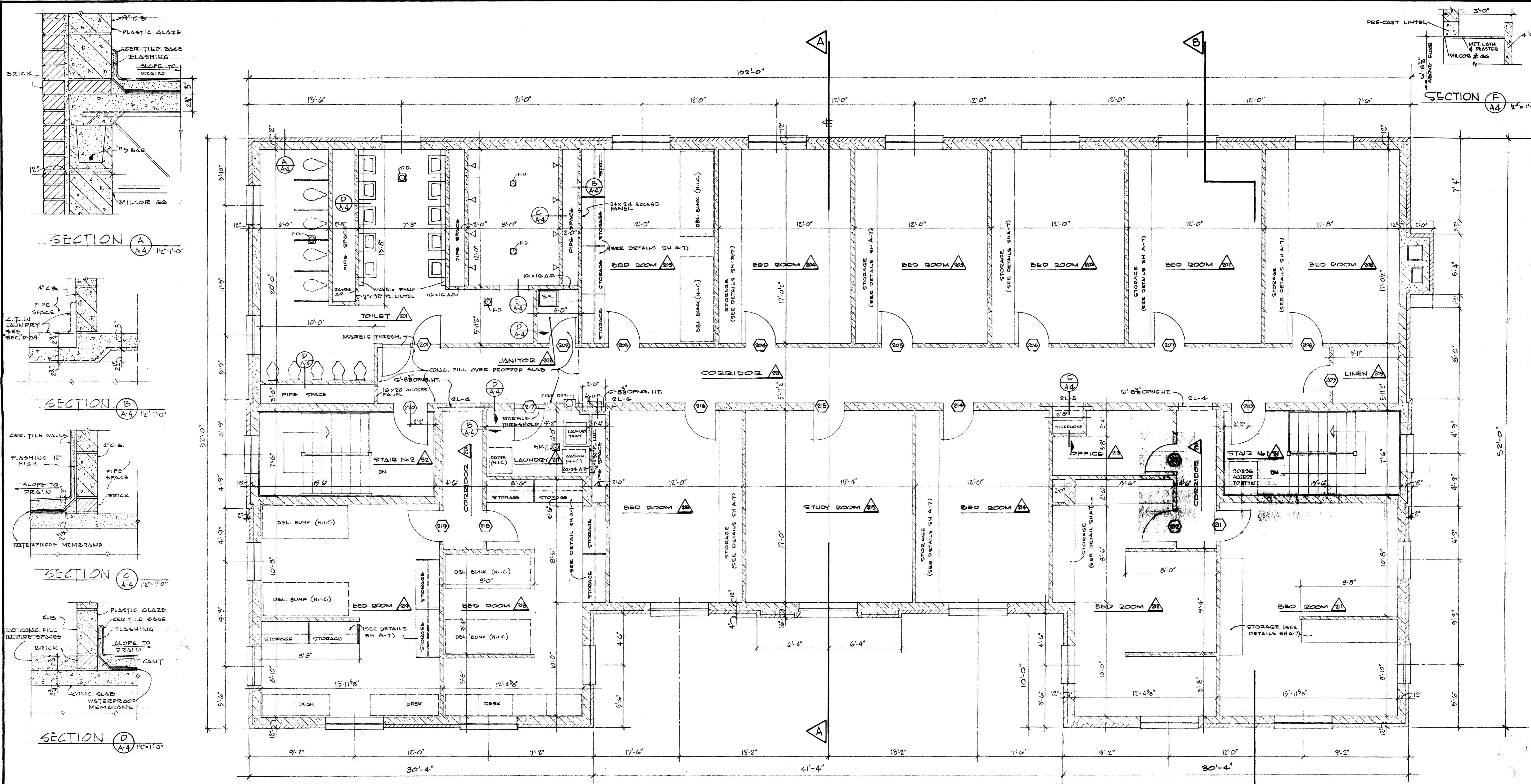
**FIRST FLOOR PLAN - RM. FINISH SCHED.**

**SIGMA NU FRATERNITY HOUSE**  
**UNIVERSITY OF KENTUCKY**  
**LEXINGTON, KENTUCKY**

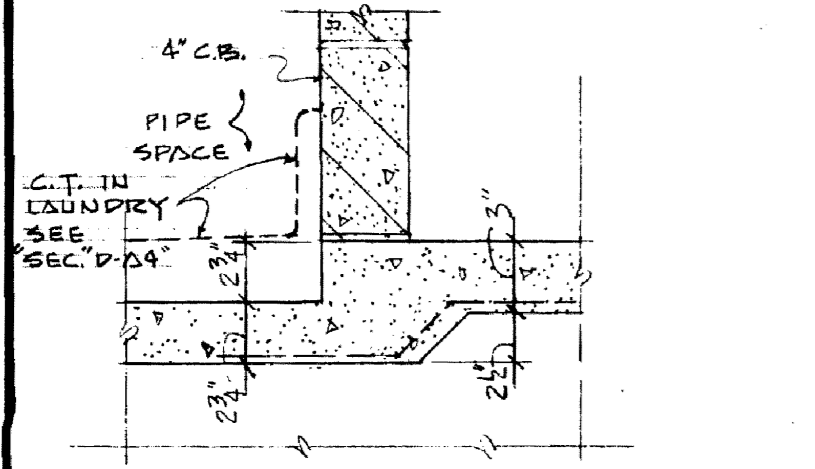
**ARCHITECTURAL**

BRAWN BY L.T. A.H. DATE 5-2-63  
 CHECKED BY N.C. ARCHITECTS ASSOCIATED 180 WALNUT STREET LEXINGTON, KENTUCKY SPEC. NO. AS SHOWN DRAWING NO. 113  
 REVISIONS COMMONWEALTH OF KENTUCKY DEPARTMENT OF FINANCE ENGINEERING STAFF FRANKFORT KENTUCKY DATE 5-3-63  
 APPROVED BY *Geo. H. ...* DATE 5-24-63  
 APPROVED BY *Wah Ashby* DATE 5-24-63

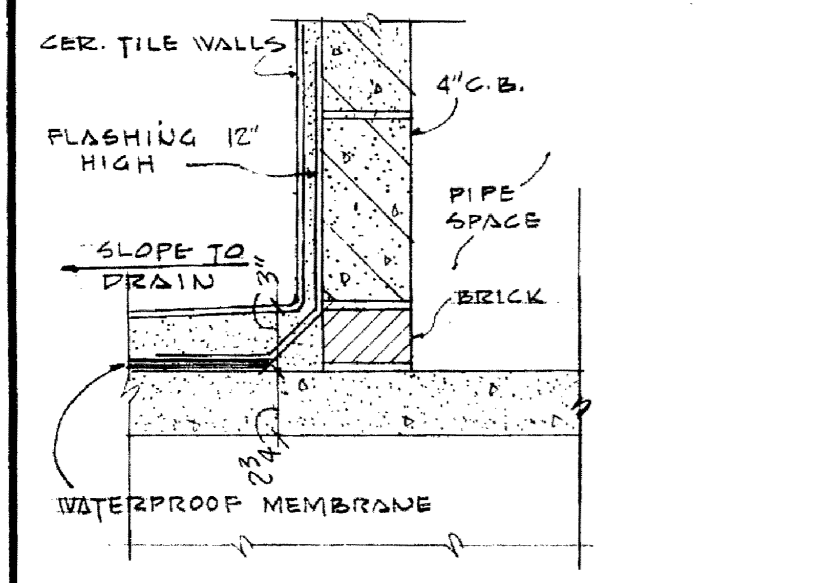
**COMMONWEALTH OF KENTUCKY ARCHITECT**  
**KENTUCKY V.L. MILLER**  
 632 COMMONWEALTH OF KENTUCKY ARCHITECT



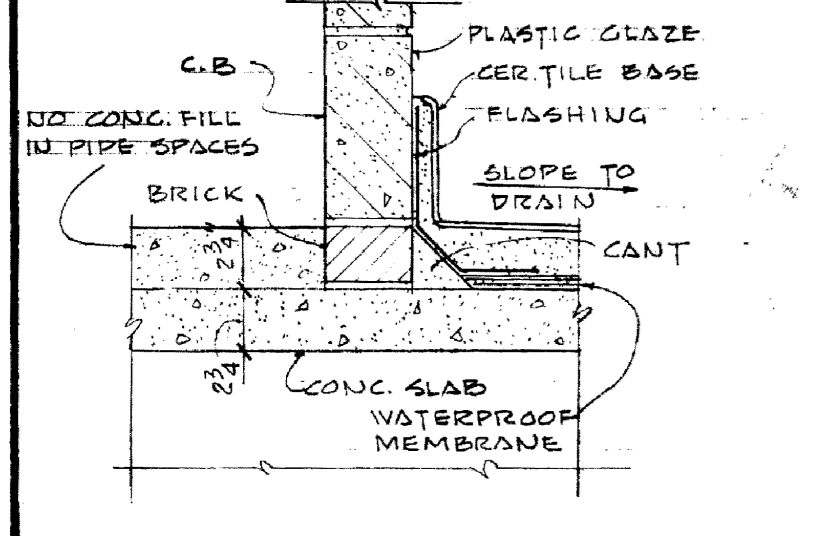
SECTION A  
A-A 1/2"=1'-0"



SECTION B  
A-A 1/2"=1'-0"

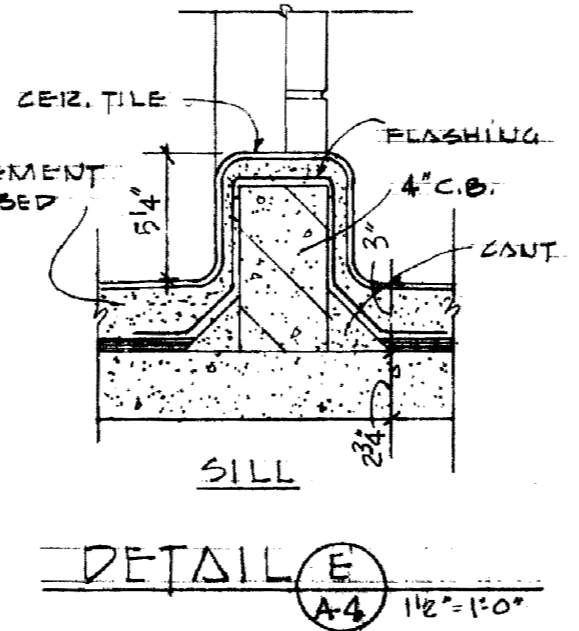
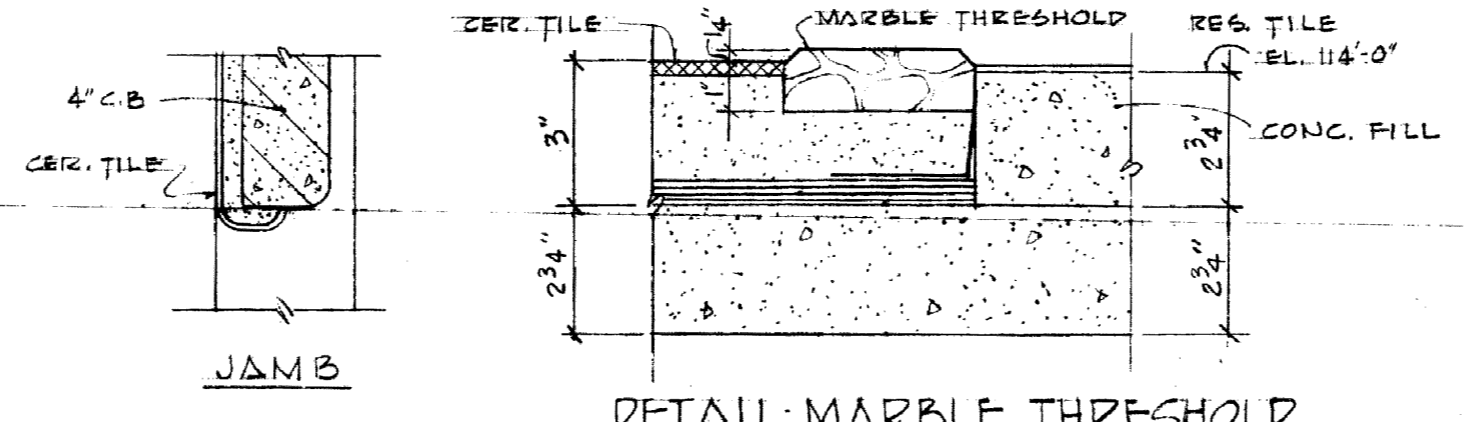


SECTION C  
A-A 1/2"=1'-0"

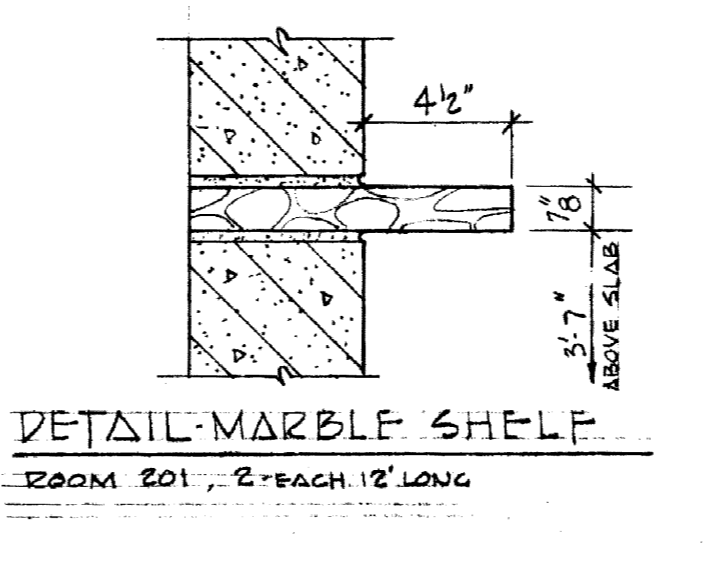


SECTION D  
A-A 1/2"=1'-0"

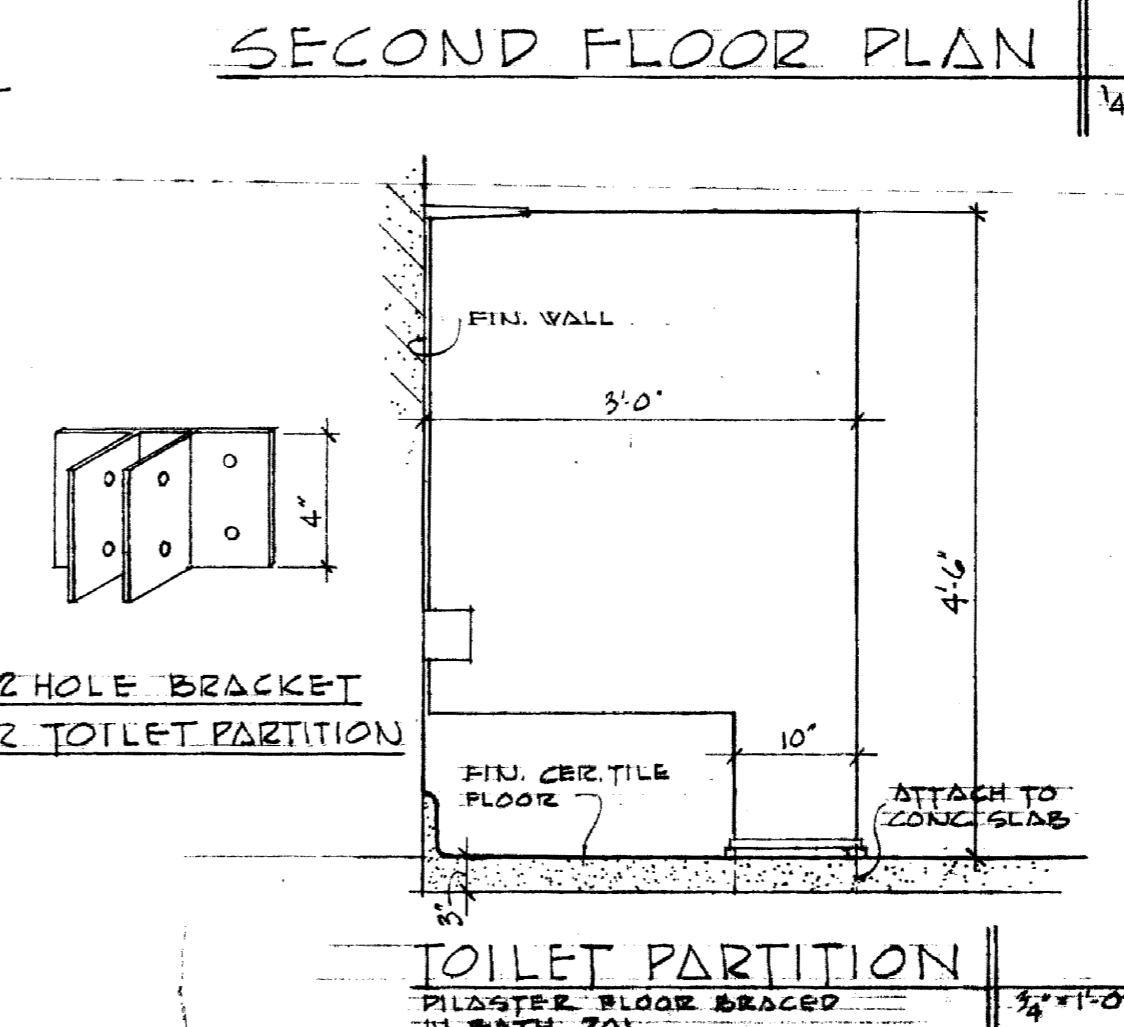
ROOM NO.	ROOM DESIGNATION	FLOOR	BASE	WALLS	CEILING	REMARKS
201	TOILET	CERAMIC TILE	CERAMIC TILE	PLASTIC GLAZE ON C.B.	PLAST. GLAZE ON SMOOTH PL. CER. TILE WALLS IN SHOWER ROOM	
202	JANITOR	ASPHALT TILE	VINYL COVE	PAINT C.B.	SAND FIN. PLAS.	
203	BED ROOM	DO	DO	DO	DO	
204	BED ROOM	DO	DO	DO	DO	
205	BED ROOM	DO	DO	DO	DO	
206	BED ROOM	DO	DO	DO	DO	
207	BED ROOM	DO	DO	DO	DO	
208	BED ROOM	DO	DO	DO	DO	
209	LINEN	DO	DO	DO	DO	
210	CORRIDOR	CONCRETE (CARPET N.I.C.)	STRAIGHT VINYL	DO	2 HR. ACoustICAL	
211	BED ROOM	ASPHALT TILE	VINYL COVE	DO	SAND FIN. PLAS.	
212	BED ROOM	DO	DO	DO	DO	
213	OFFICE	DO	DO	DO	DO	
214	BED ROOM	DO	DO	DO	DO	
215	STUDY ROOM	DO	DO	DO	DO	
216	BED ROOM	DO	DO	DO	DO	
217	LAUNDRY	CERAMIC TILE	CERAMIC TILE	PLASTIC GLAZE ON C.B.	DO	
218	BED ROOM	ASPHALT TILE	VINYL COVE	PAINT C.B.	DO	
219	BED ROOM	DO	DO	DO	DO	
220	CORRIDOR	CONCRETE (CARPET N.I.C.)	STRAIGHT VINYL	DO	2 HR. ACoustICAL	
221	CORRIDOR	DO	DO	DO	DO	
222	STAIR No 1	VINYL ASBESTOS	PAINT STRINGER	DO	DO	RUBBER TREADS ON STAIRS
223	STAIR No 2	DO	DO	DO	DO	DO



DETAIL MARBLE THRESHOLD  
R.M.G. 201 & 217  
3"=1'-0"



DETAIL MARBLE SHELF  
ROOM 201 - 2 EACH 12" LONG  
3"=1'-0"



2 HOLE BRACKET FOR TOILET PARTITION  
TOILET PARTITION  
PLASTER FLOOR BRACED IN BATH 201  
3/4"=1'-0"

SECOND FLOOR PLAN  
1/4"=1'-0"

**SECOND FLOOR PLAN - R.M. FINISH SCHED**

**SIGMA NU FRATERNITY HOUSE**  
UNIVERSITY OF KENTUCKY  
LEXINGTON, KENTUCKY

DESIGNED BY: **ROBERT CHRISTMAN, AIA**  
NO. 375 COMMONWEALTH OF KENTUCKY ARCHITECT

TRACED BY: **GILLIG • CHRISMAN & MILLER**  
ARCHITECTS ASSOCIATED  
180 WALNUT STREET, LEXINGTON, KENTUCKY

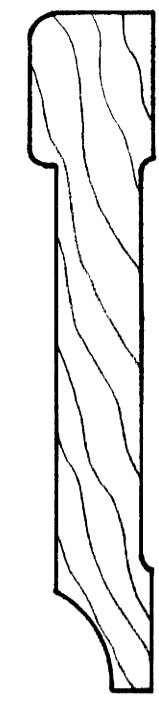
CHECKED BY: **N.C. & P.E.**

REVISIONS: COMMONWEALTH OF KENTUCKY  
DEPARTMENT OF FINANCE  
ENGINEERING STAFF  
FRANKFORT, KENTUCKY

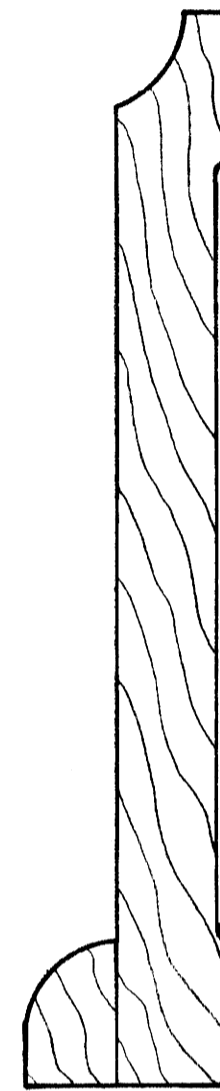
APPROVED BY: *George R. Kavanagh*  
AGENCY HEAD  
DATE: 5-2-63

APPROVED BY: *Kent Ashby*  
CHIEF OF STAFF  
DATE: 5-24-63

DATE: 5-2-63  
SCALE: AS SHOWN  
SPEC. NO.

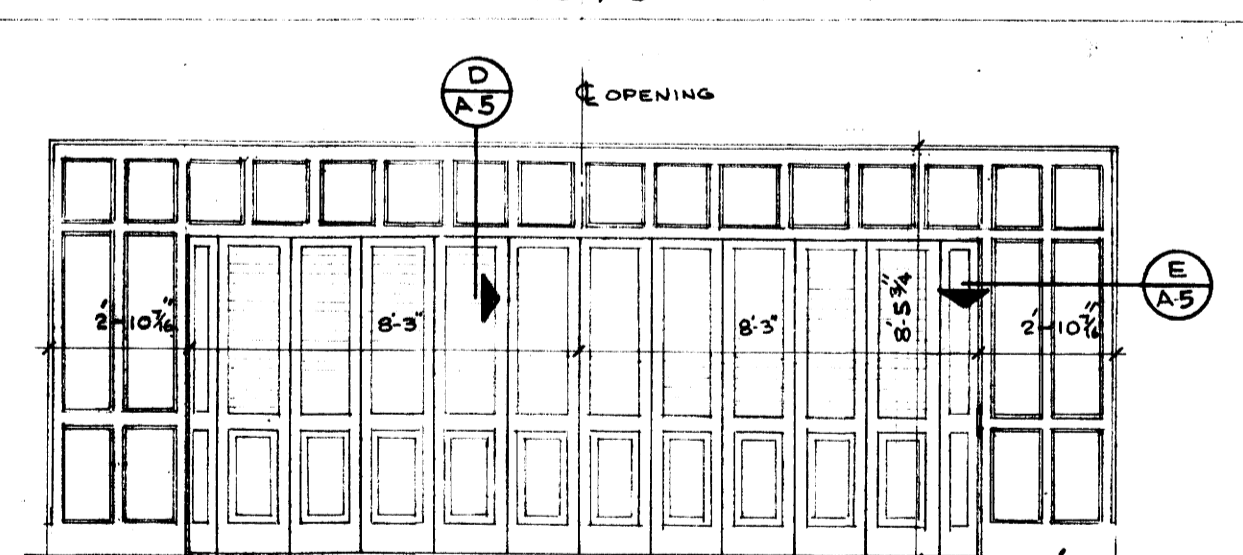
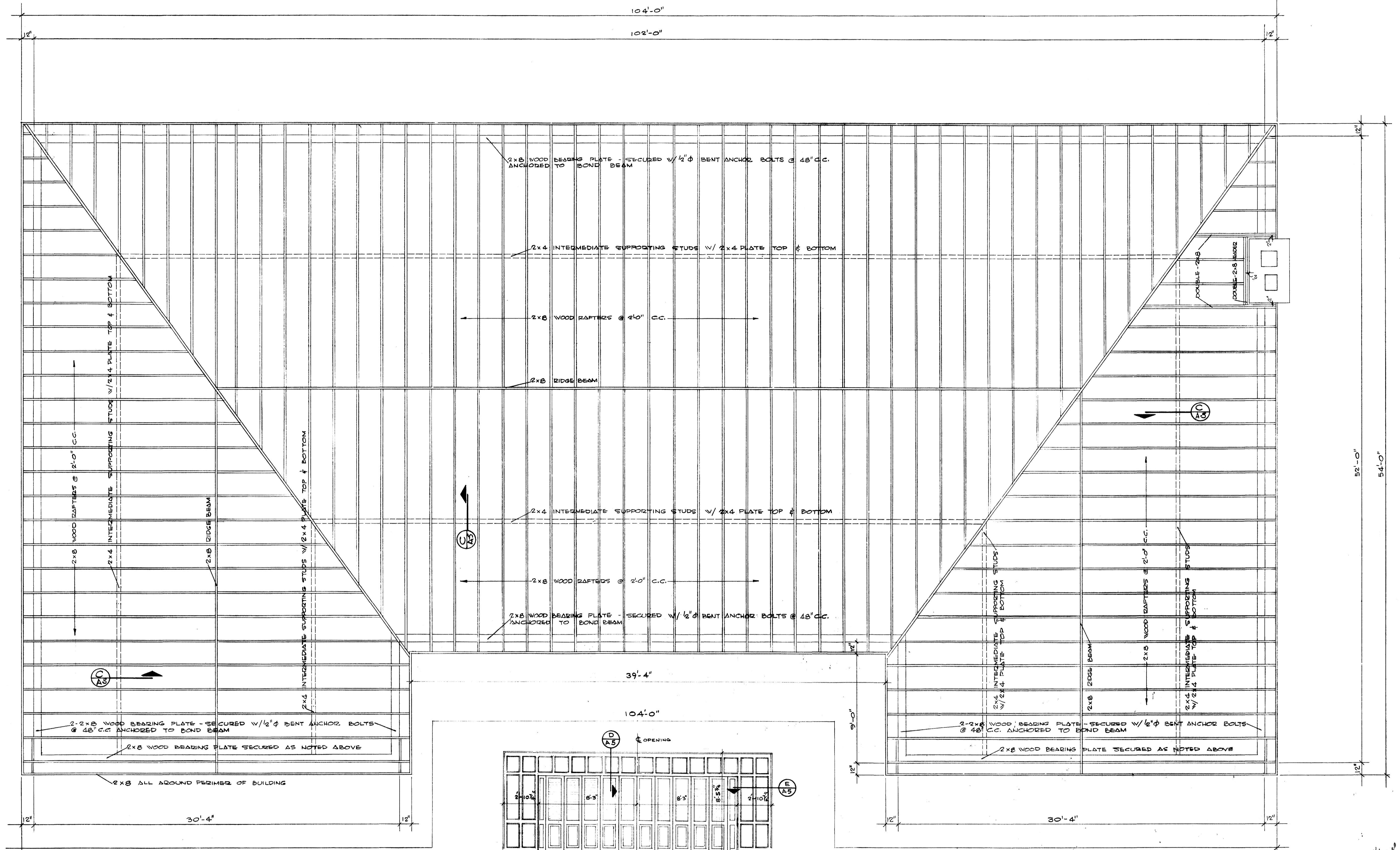


CASING



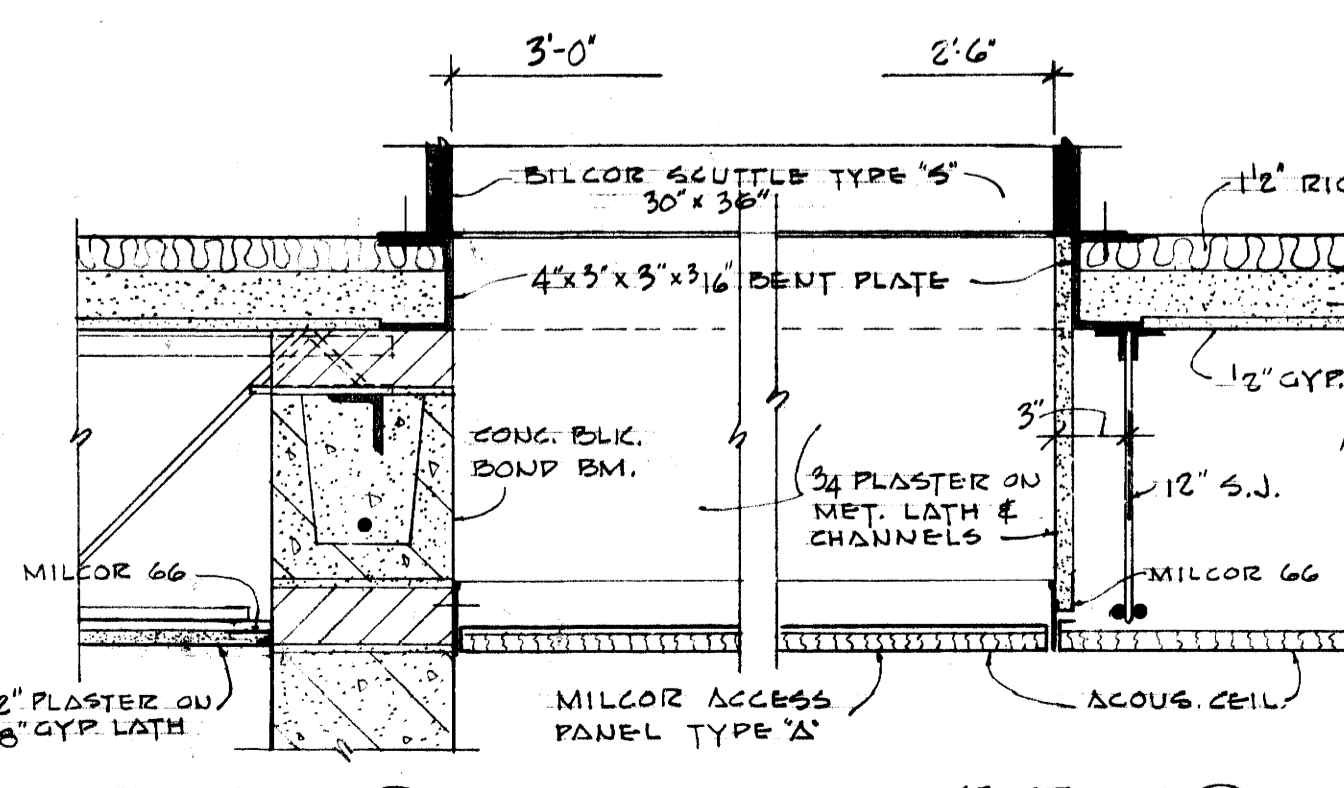
SHOE BASE

F.S. WOOD TRIM

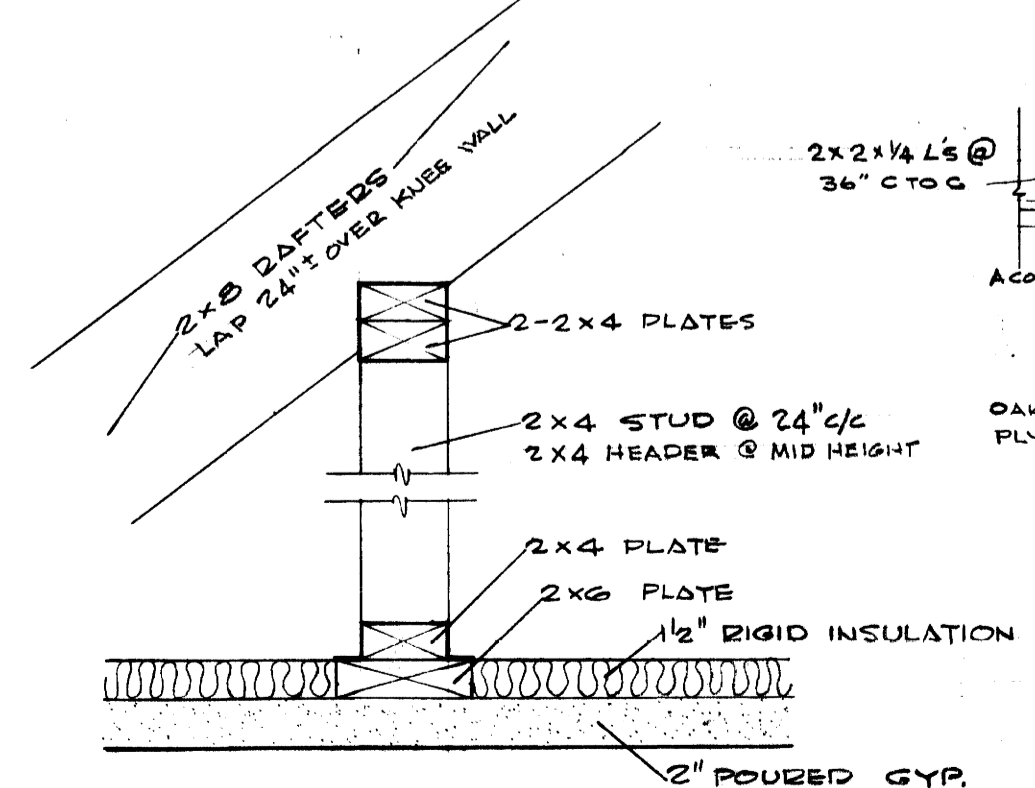


ACCORDIAN DOOR ELEVATION  
BETWEEN ROOM 106 & 107  
1/4" = 1'-0"

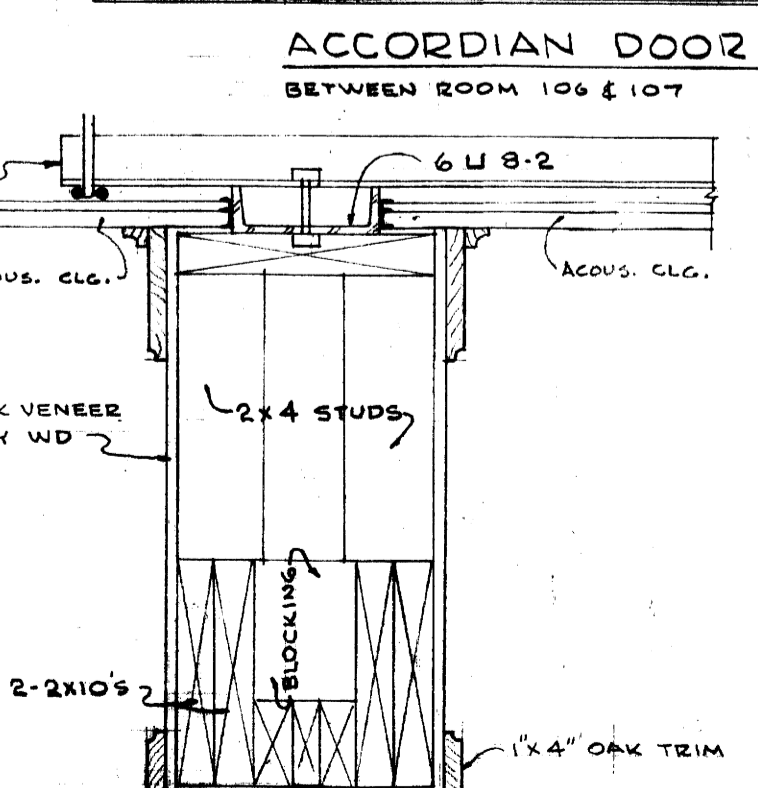
ROOF FRAMING PLAN  
1/4" = 1'-0"



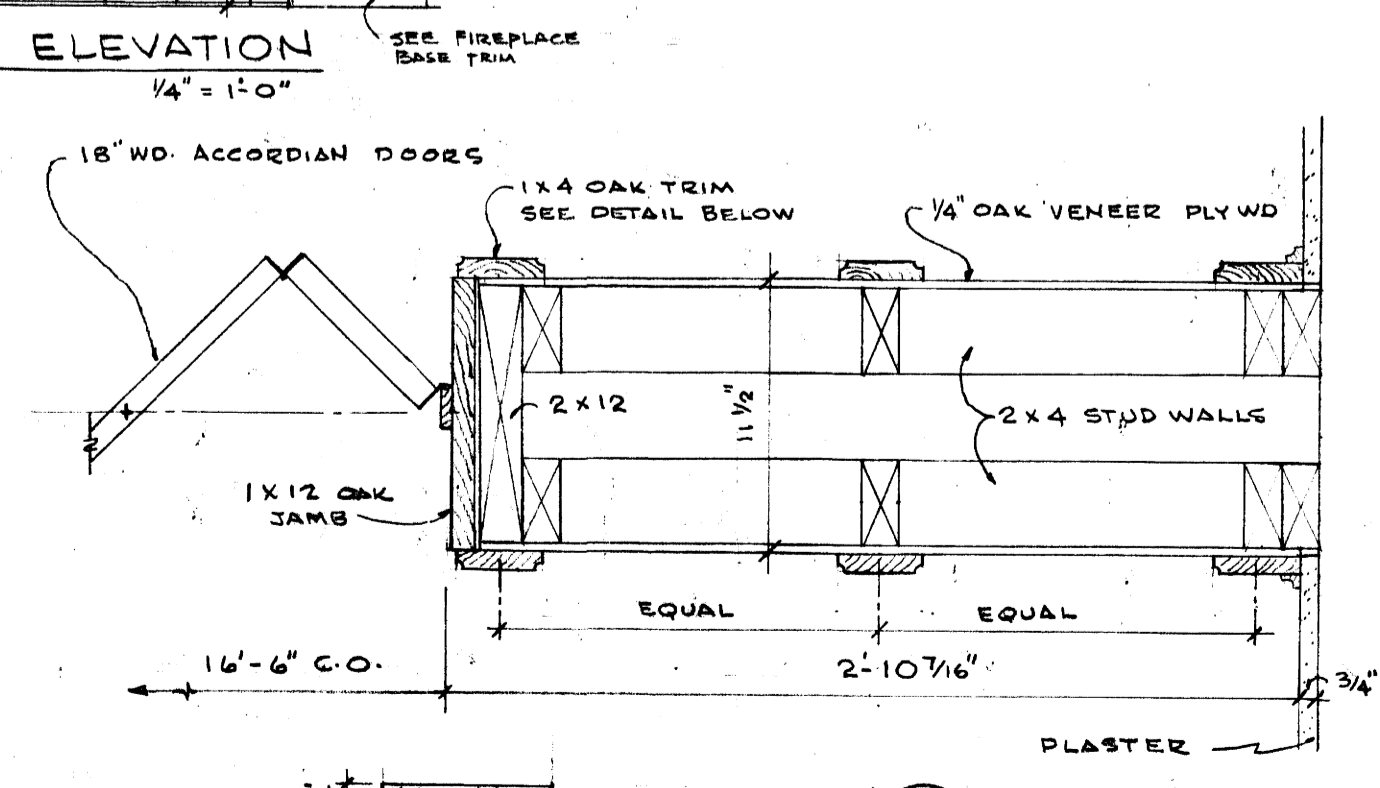
SECTION A-A  
DETAILS - ACCESS TO ATTIC  
IN STAIR S-1  
1/2" = 1'-0"



SECTION C-C  
1/2" = 1'-0"



SECTION D-D  
1/2" = 1'-0"



SECTION E-E  
1 1/2" = 1'-0"

**ROOF FRAMING PLAN - DETAILS**

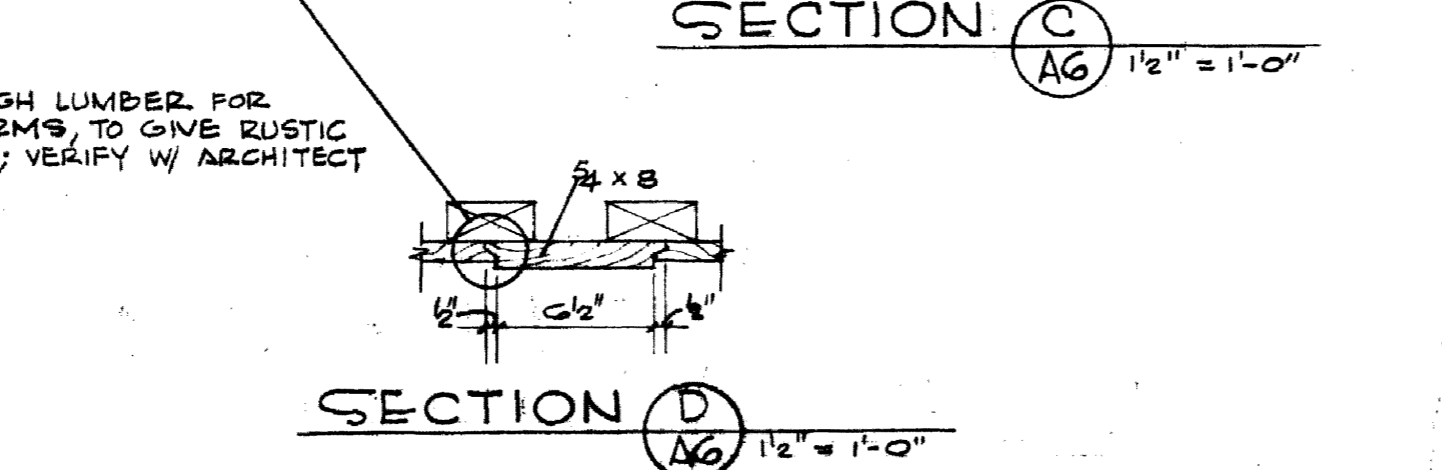
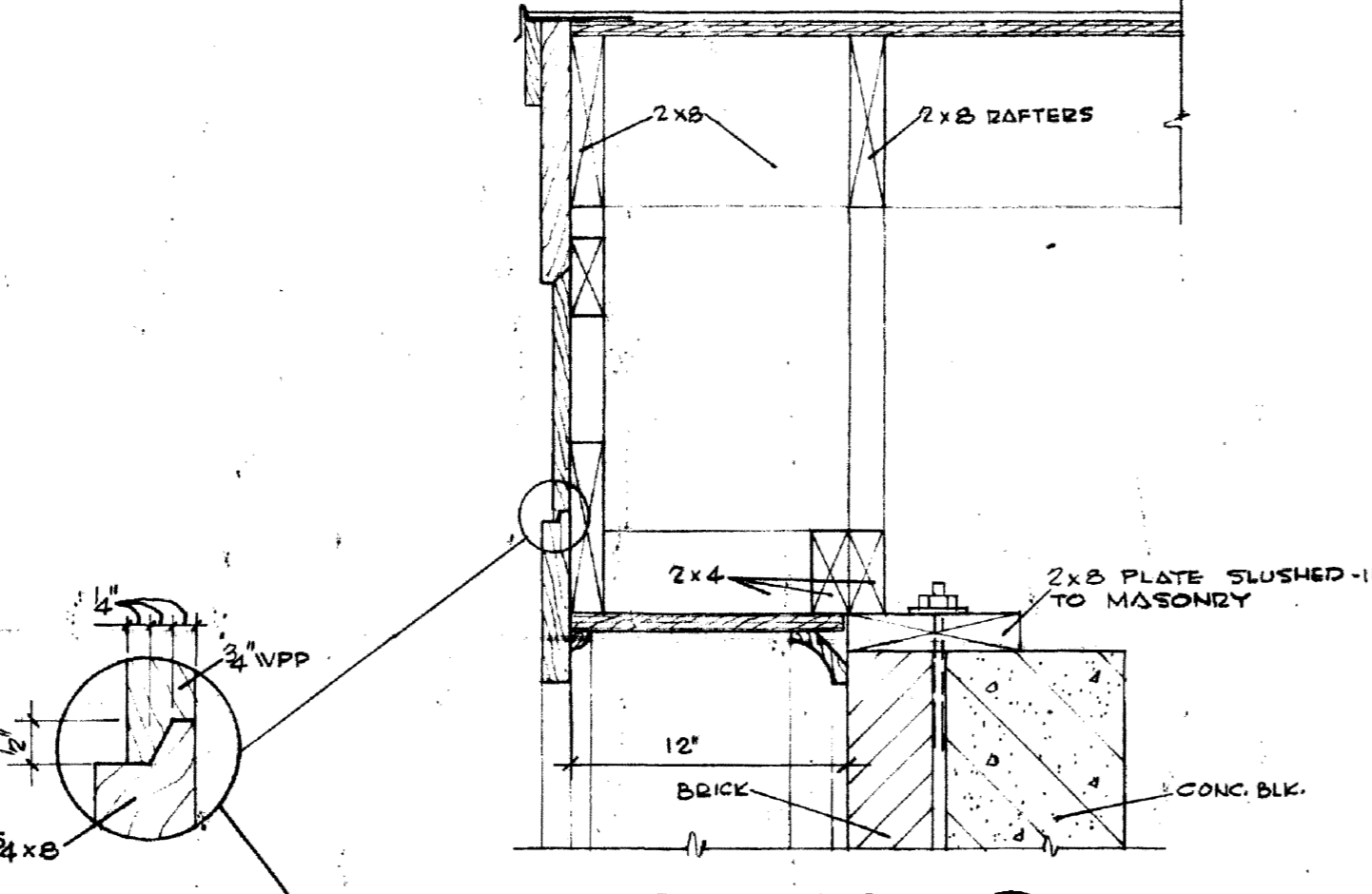
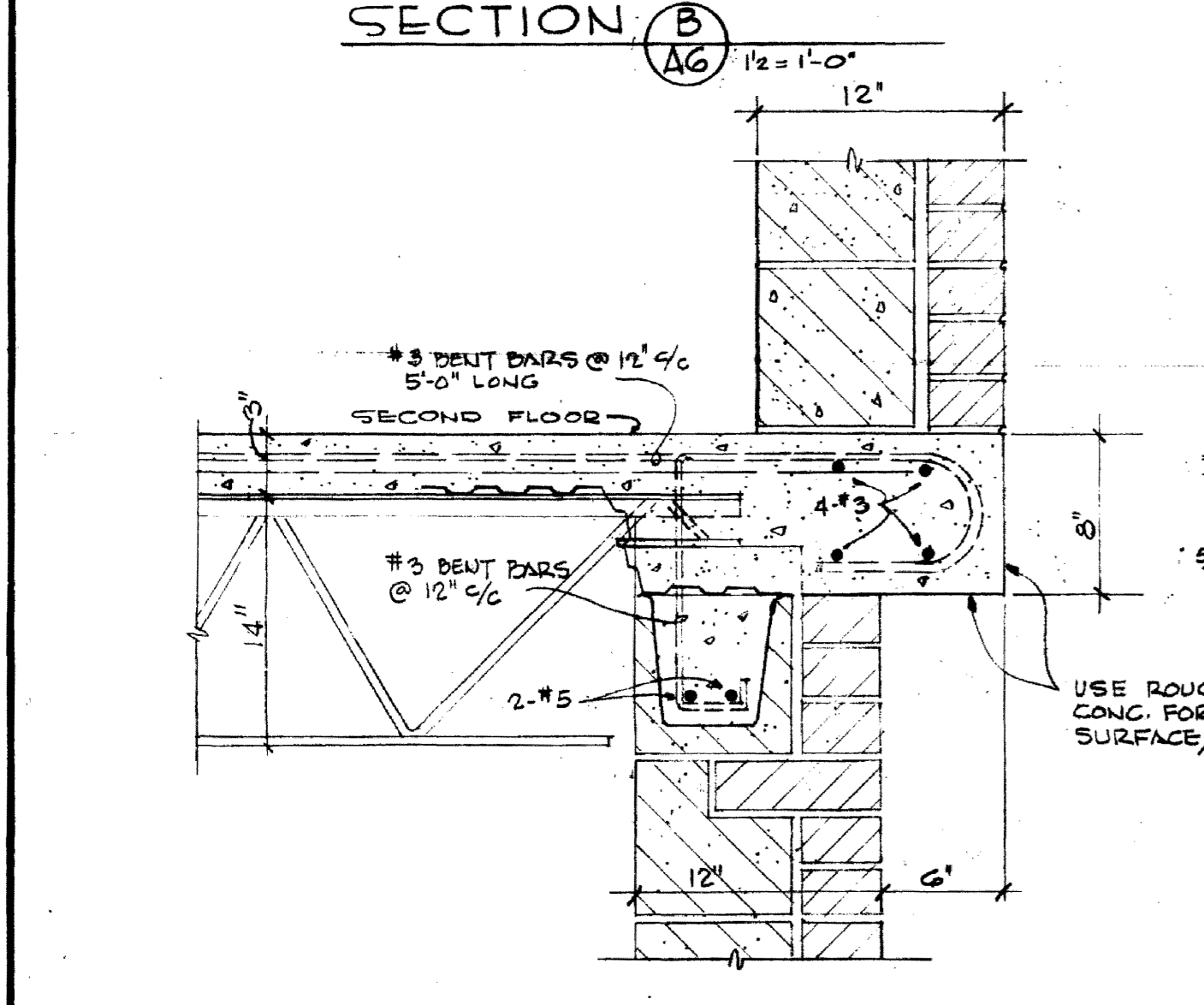
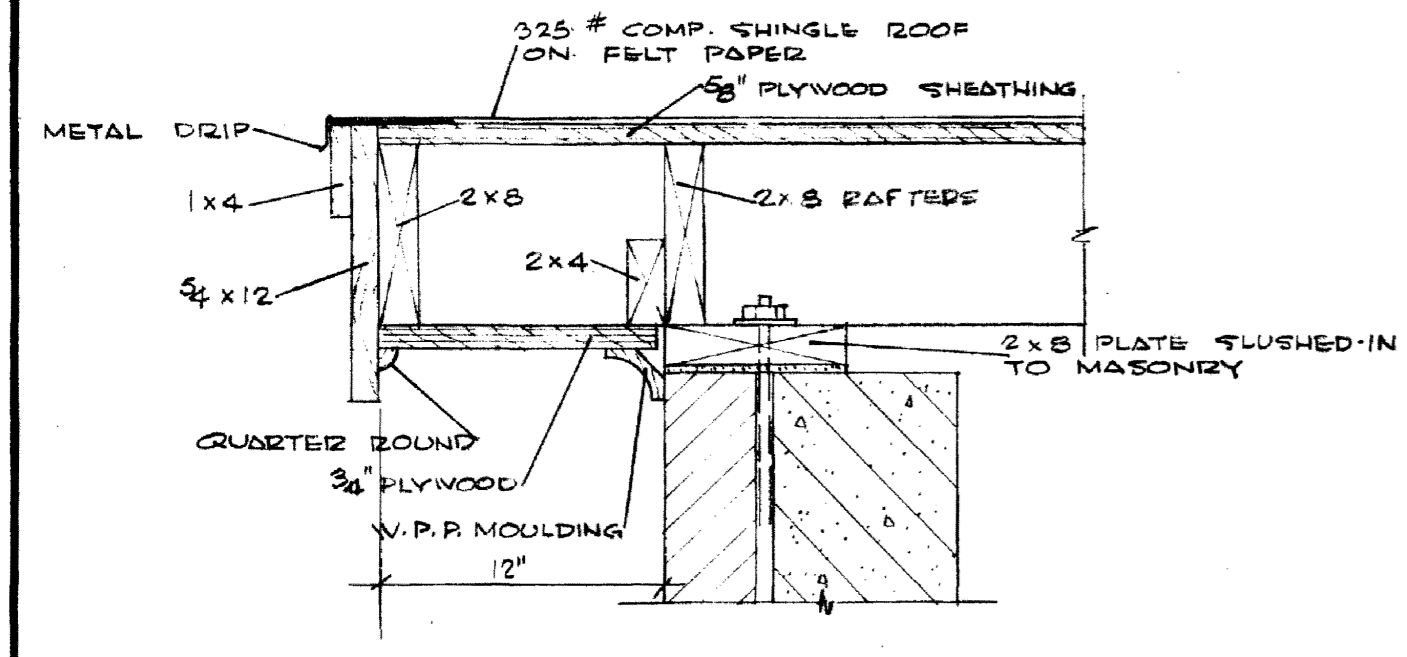
**SIGMA NU FRATERNITY HOUSE**  
UNIVERSITY OF KENTUCKY  
LEXINGTON, KENTUCKY

DESIGNED BY: L.T. A.H. ARCHITECTURAL  
DRAWN BY: GILIG • CHRISMAN & MILLER ARCHITECTS ASSOCIATED  
CHECKED BY: N.C.  
REVISIONS: COMMONWEALTH OF KENTUCKY DEPARTMENT OF FINANCE ENGINEERING STAFF FRANKFORT, KENTUCKY

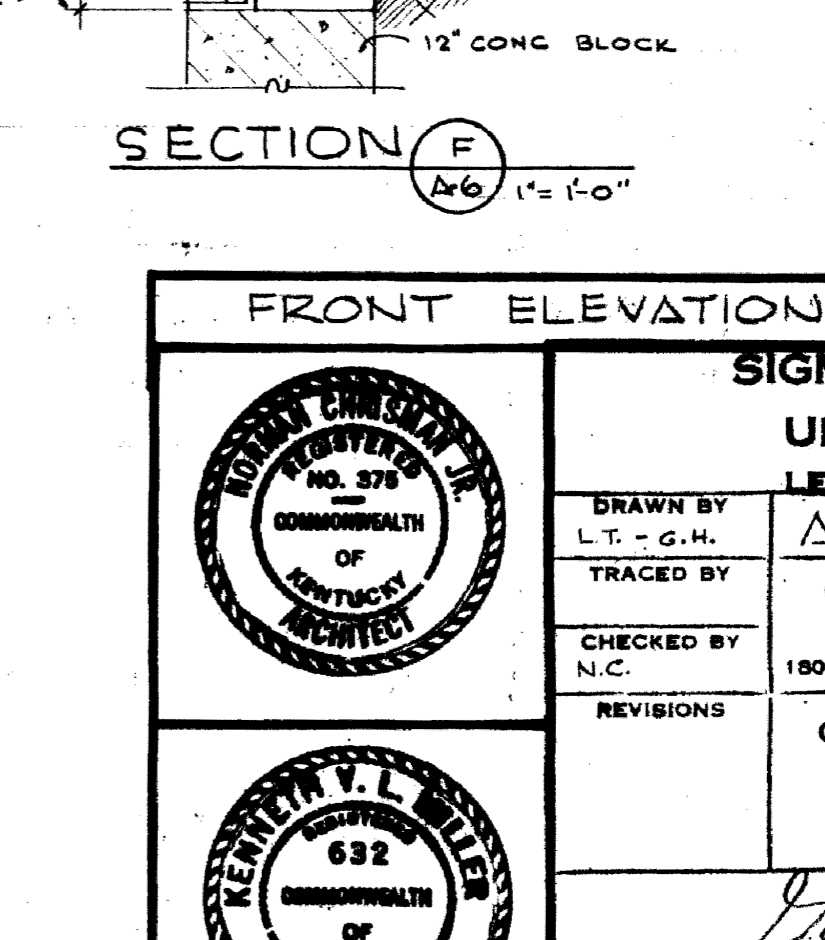
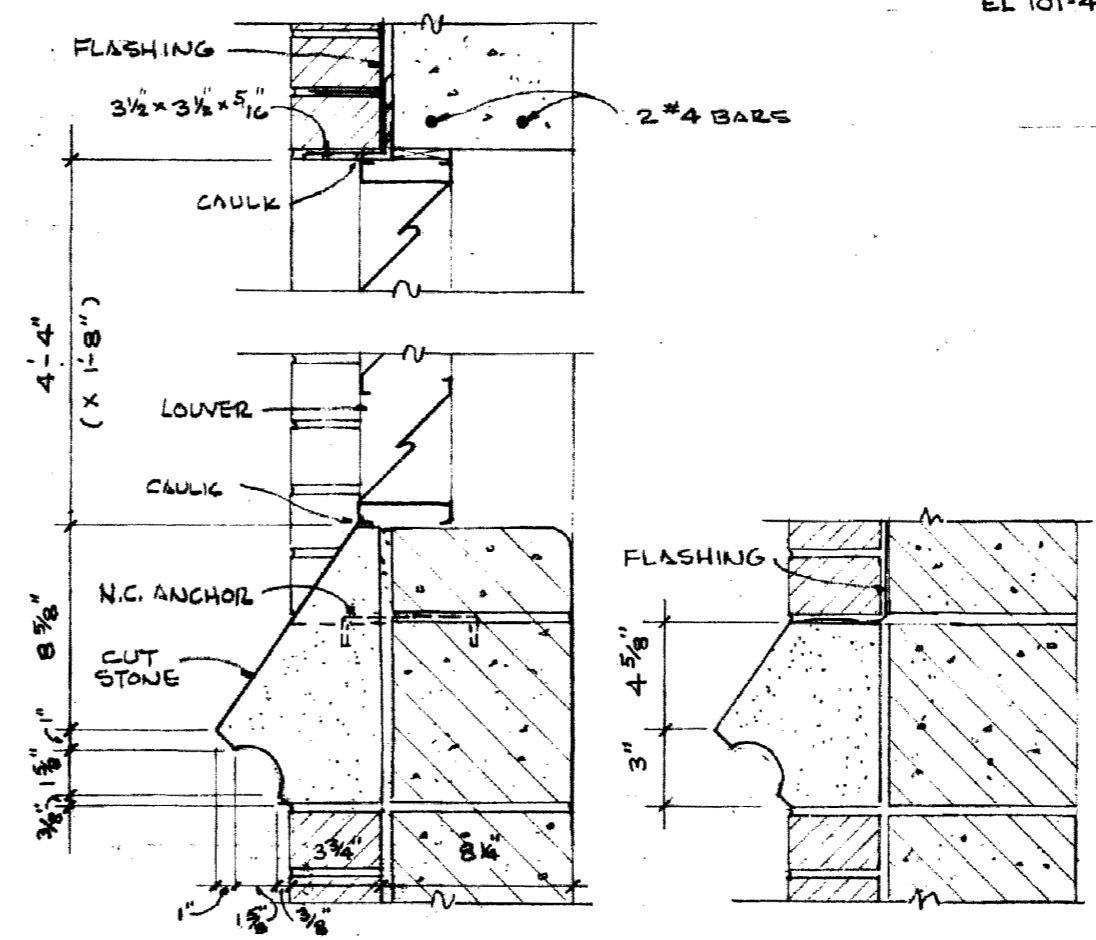
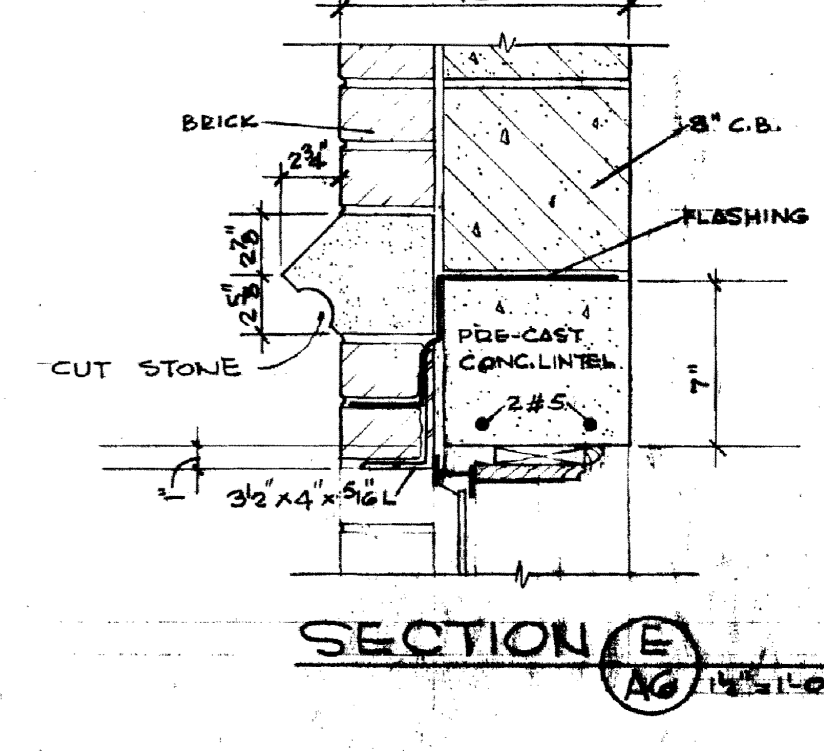
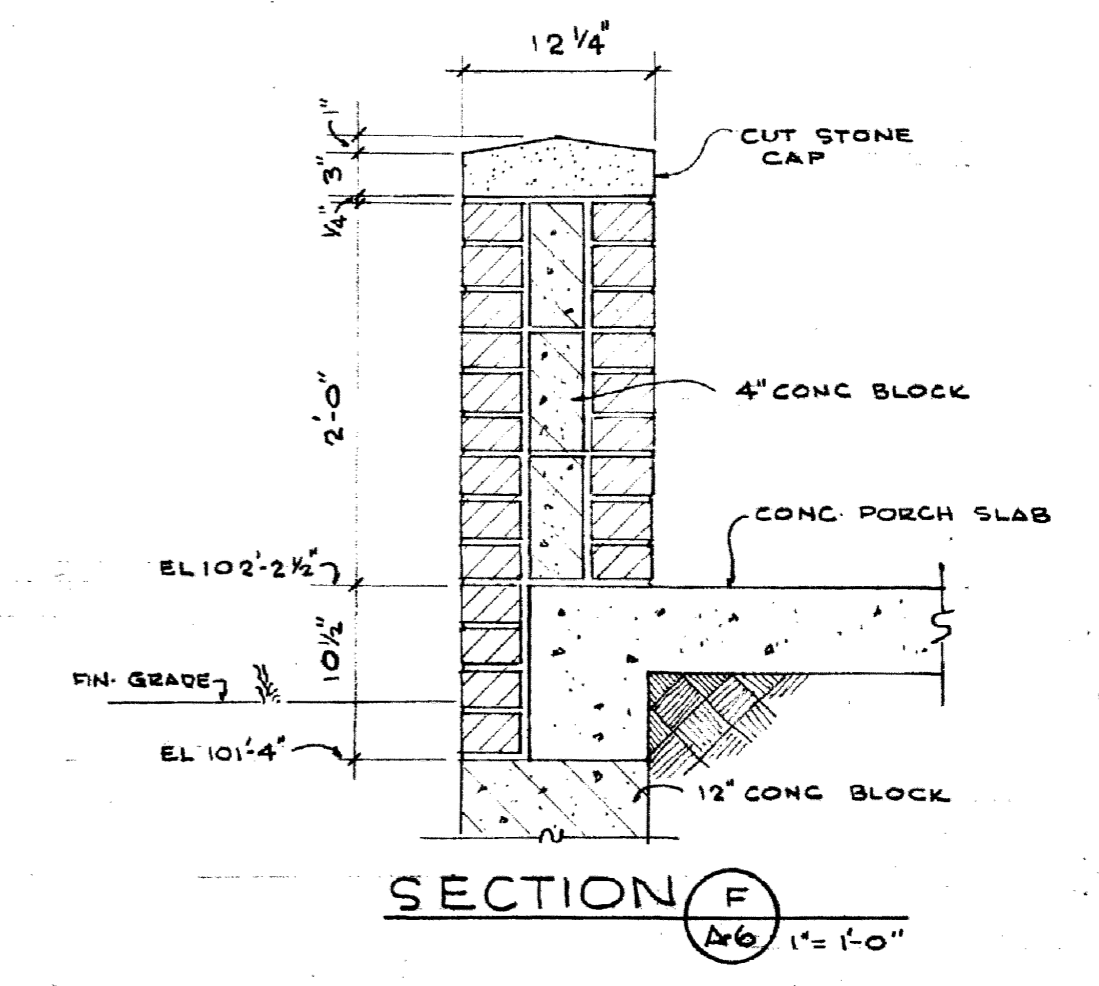
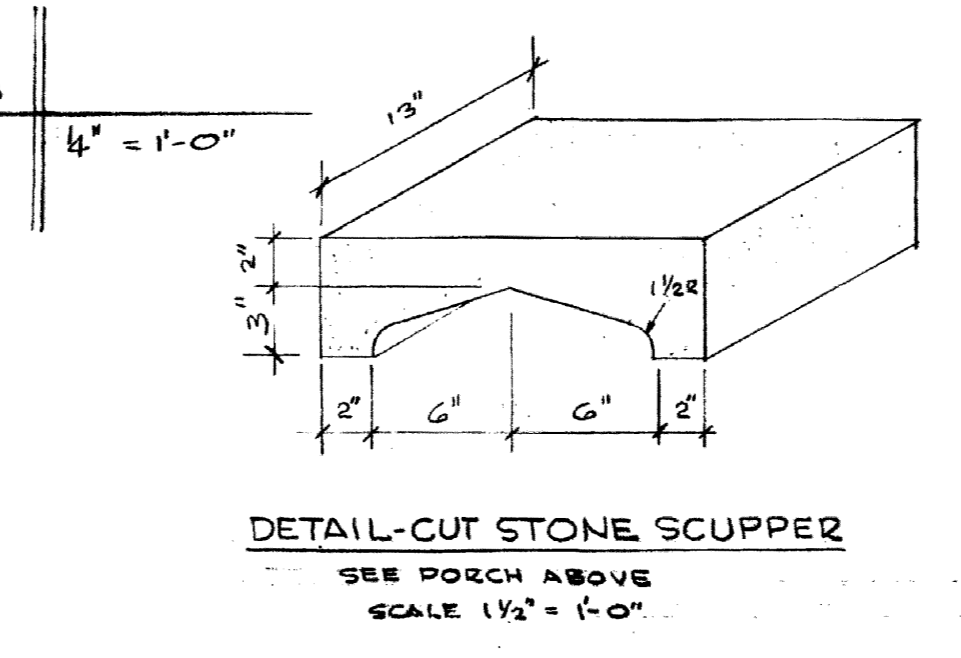
APPROVED BY: *[Signature]* DATE: 5-2-63  
APPROVED BY: *[Signature]* DATE: 5-24-63

REGISTERED ARCHITECT NO. 375 COMMONWEALTH OF KENTUCKY  
REGISTERED ARCHITECT NO. 632 COMMONWEALTH OF KENTUCKY

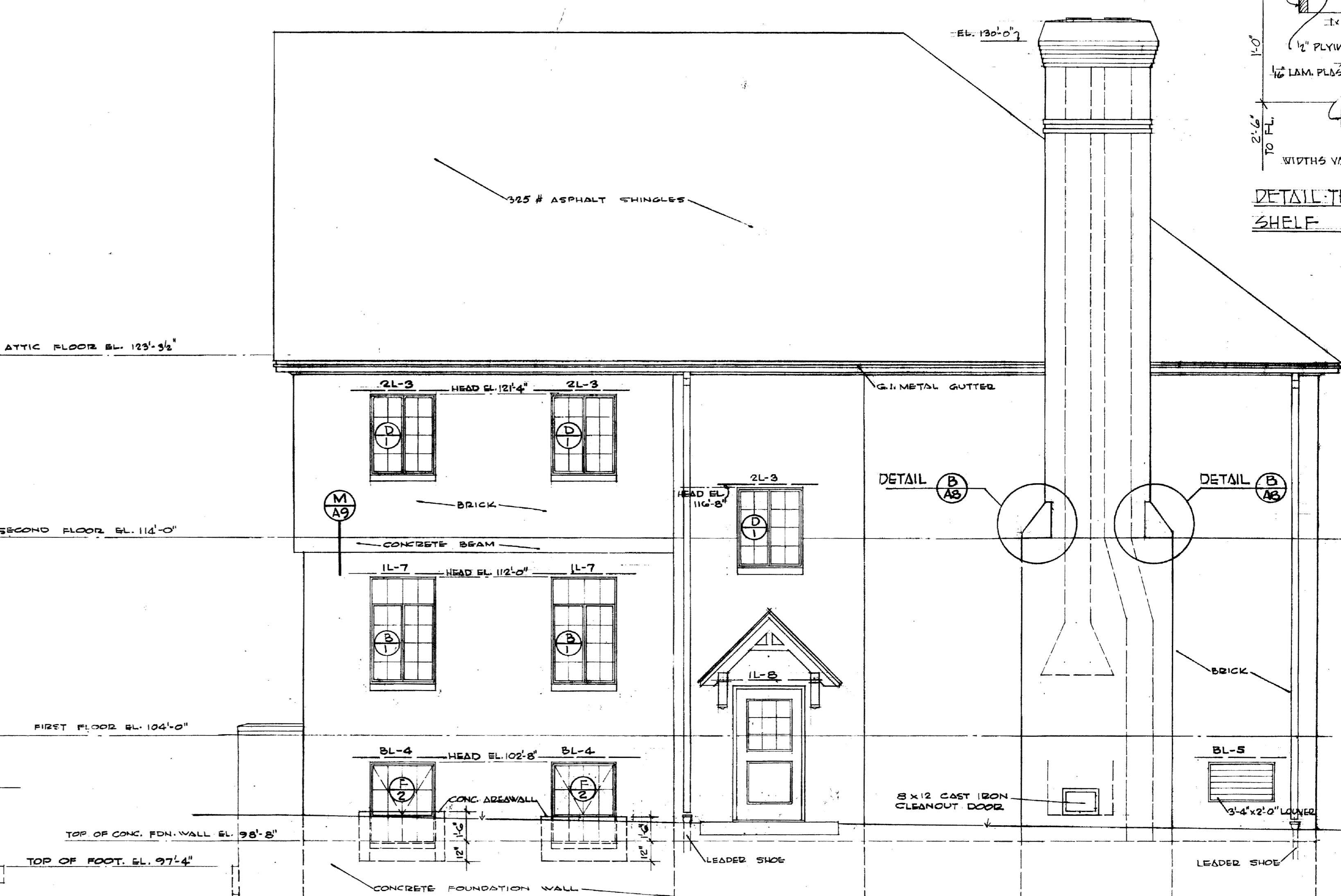
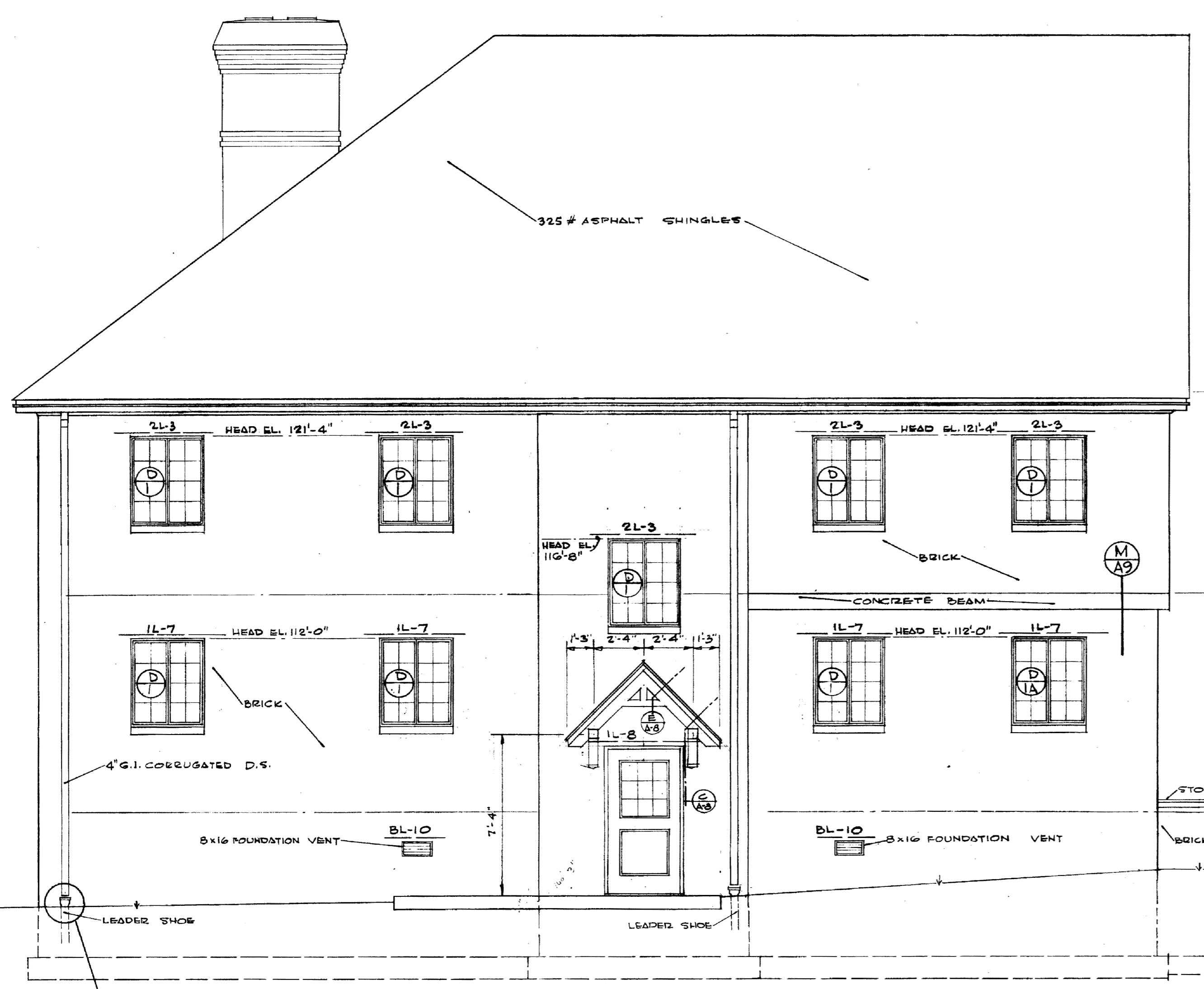
DRAWING NO. **A5**



FRONT (NORTH) ELEVATION



FRONT ELEVATION - DETAILS		
<b>SIGMA NU FRATERNITY HOUSE</b>		
UNIVERSITY OF KENTUCKY LEXINGTON, KENTUCKY		
DRAWN BY L.T. - G.H.	ARCHITECTURAL	DATE 5-2-63
TRACED BY N.C.	GILLIG • CHRISMAN & MILLER ARCHITECTS ASSOCIATED	SCALE AS SHOWN SPEC. NO.
CHECKED BY N.C.	180 WALNUT STREET LEXINGTON, KENTUCKY	DRAWING NO. AG
REVISIONS	COMMONWEALTH OF KENTUCKY DEPARTMENT OF FINANCE ENGINEERING STAFF FRANKFORT, KENTUCKY	
APPROVED BY <i>West</i>	AGENCY HEAD	DATE 5-3-63
APPROVED BY <i>Will</i>	CHIEF OF STAFF	DATE 5-24-63

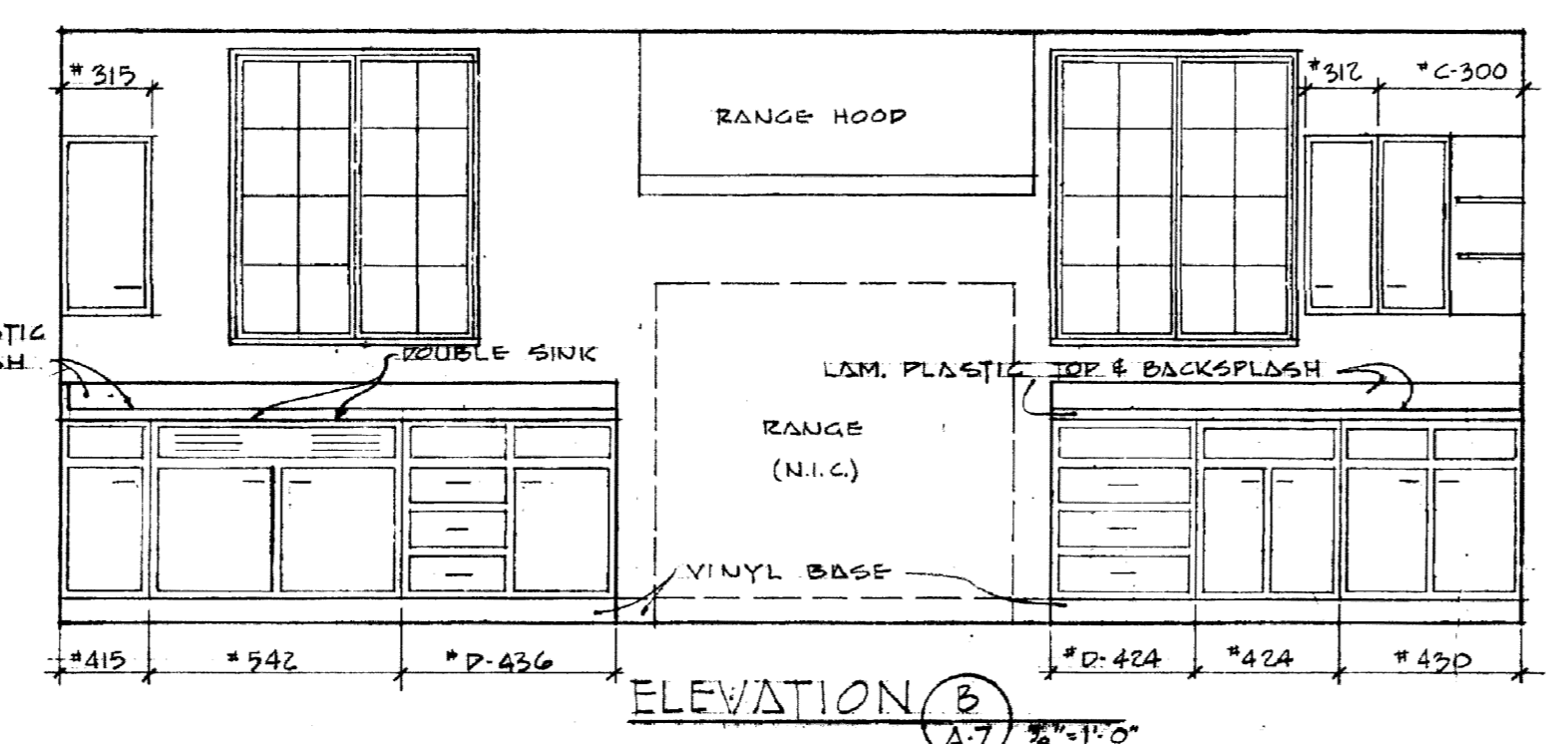
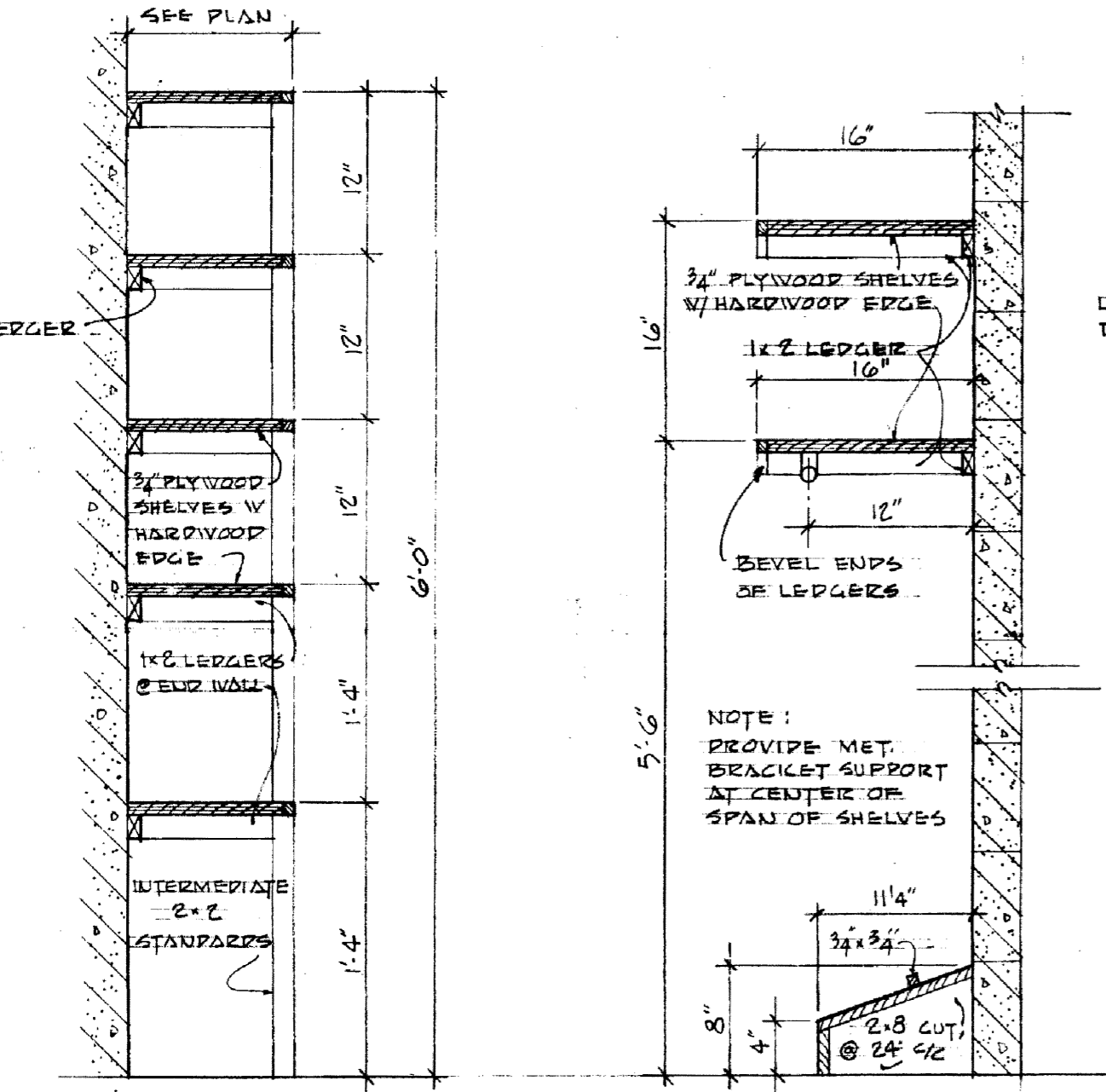


DETAIL TELEPHONE SHELF  
16'-1'-0"

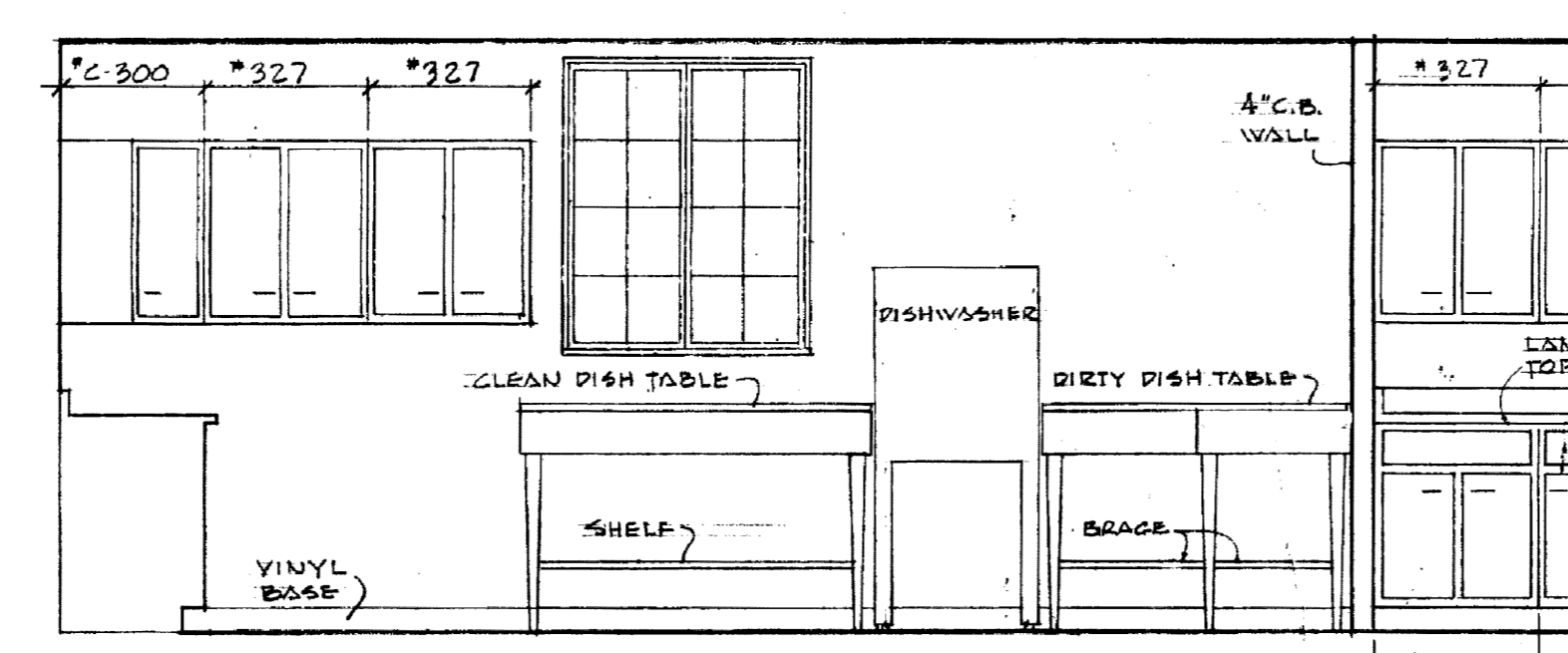
LEFT SIDE (EAST) ELEVATION  
1/4" = 1'-0"

RIGHT SIDE (WEST) ELEVATION  
1/4" = 1'-0"

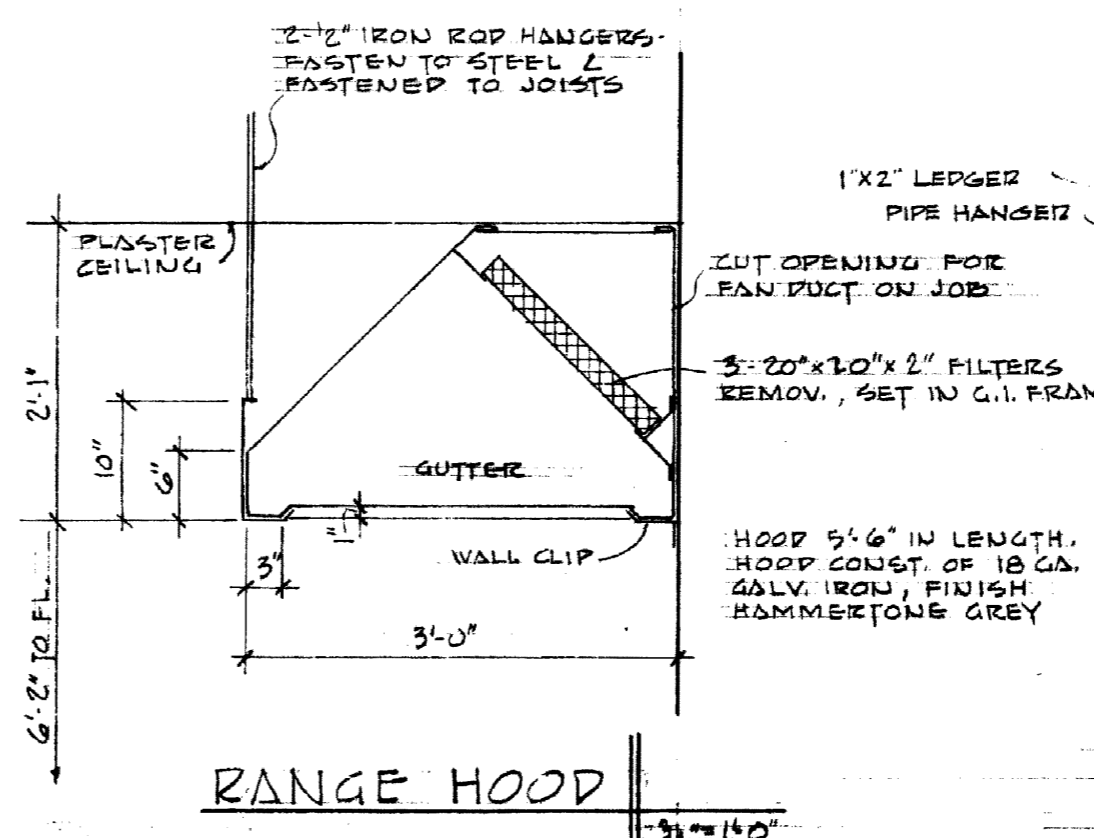
TYPICAL DETAIL LEADER SHOE  
SCALE: 1/2" = 1'-0"



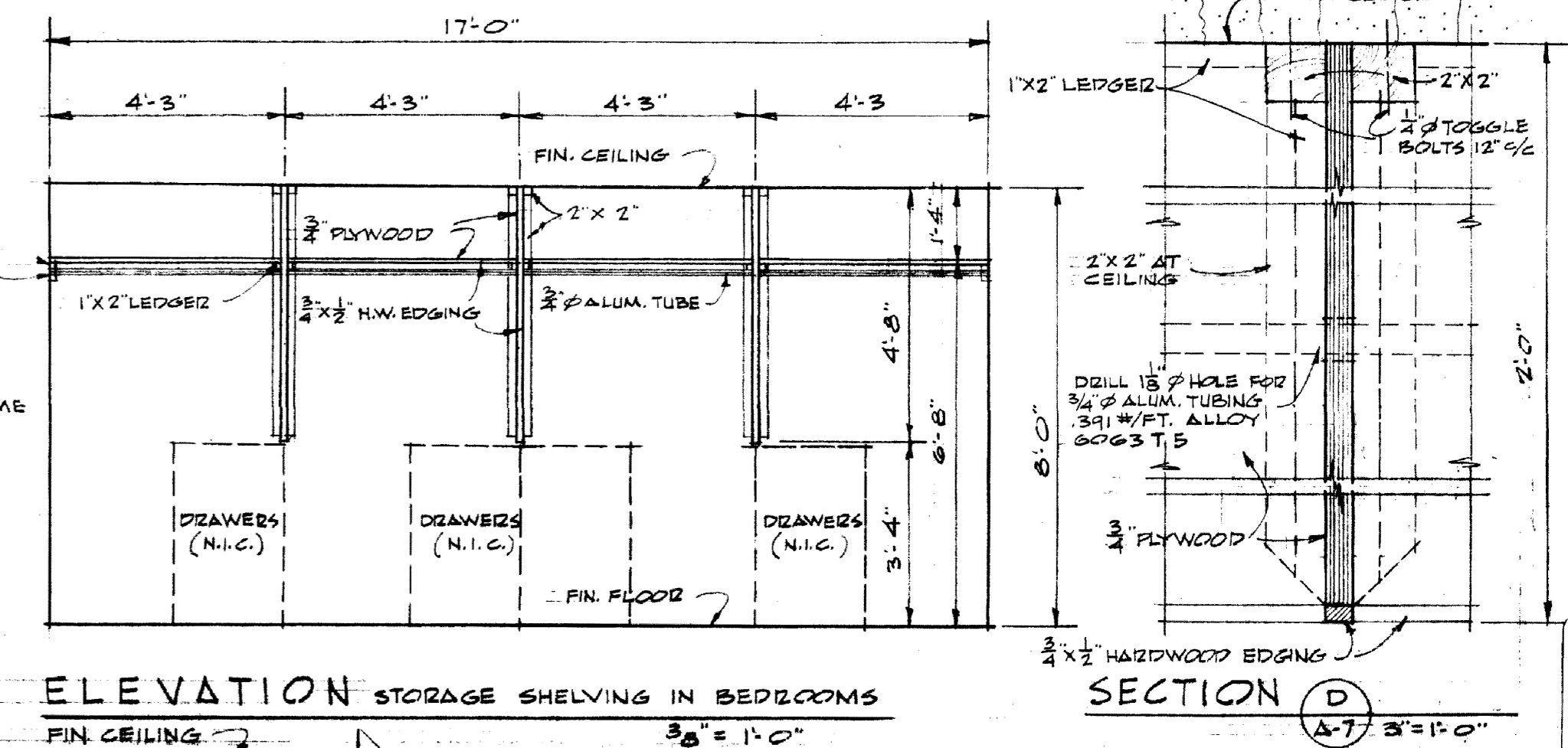
ELEVATION B  
3/8" = 1'-0"



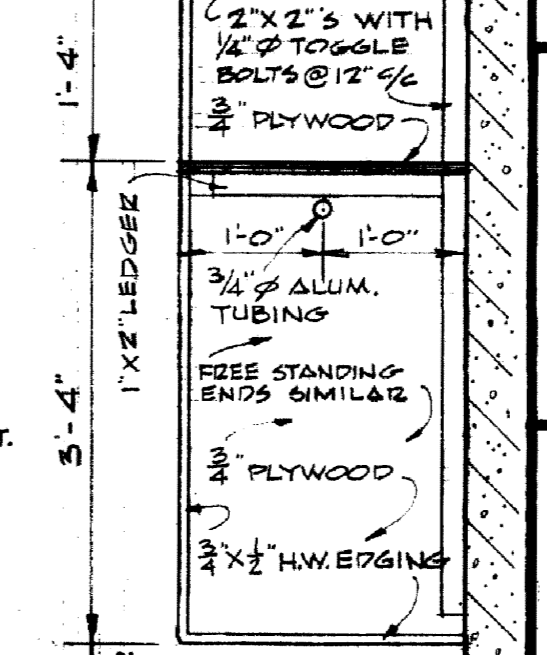
ELEVATION C  
3/8" = 1'-0"



RANGE HOOD  
3/8" = 1'-0"



ELEVATION STORAGE SHELVING IN BEDROOMS  
3/8" = 1'-0"



SECTION B  
3/4" = 1'-0"

END ELEVATIONS - KITCHEN DETAILS

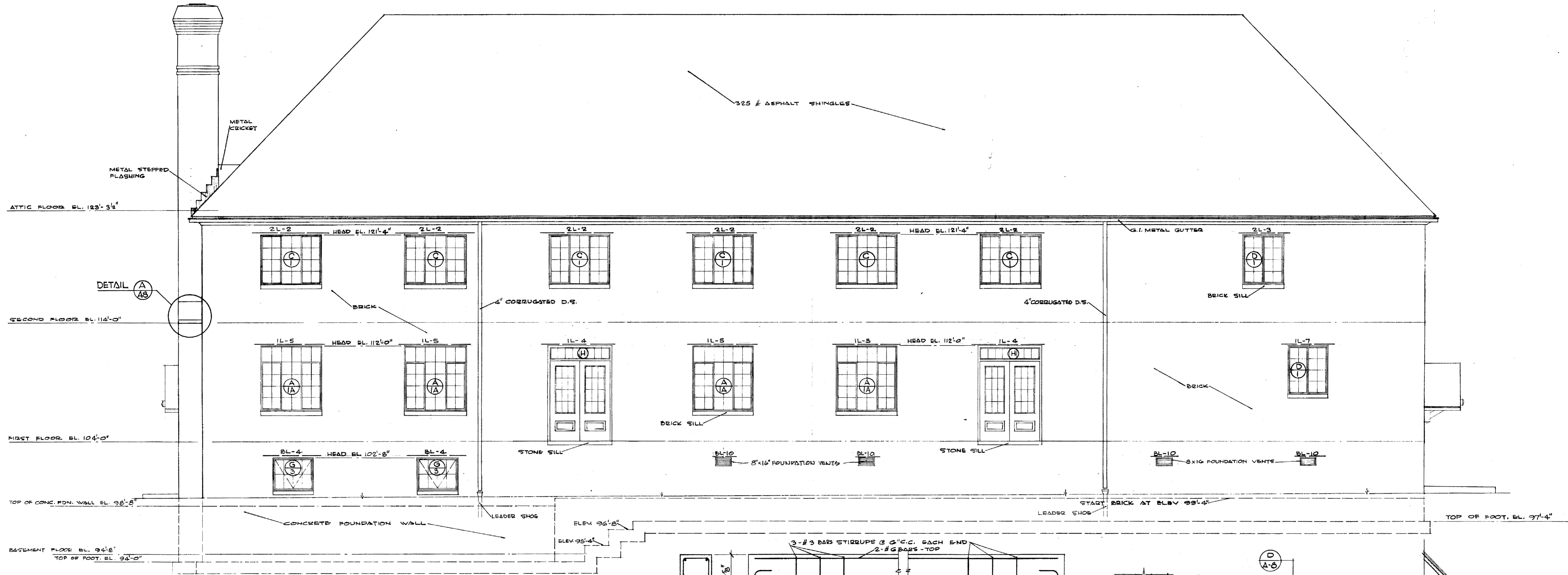
**SIGMA NU FRATERNITY HOUSE**  
UNIVERSITY OF KENTUCKY  
LEXINGTON, KENTUCKY

DRAWN BY: L.T. A.H. J.B.  
CHECKED BY: GILLIG • CHRISMAN & MILLER ARCHITECTS ASSOCIATED  
REVISIONS: COMMONWEALTH OF KENTUCKY DEPARTMENT OF FINANCE ENGINEERING STAFF FRANKFORT, KENTUCKY

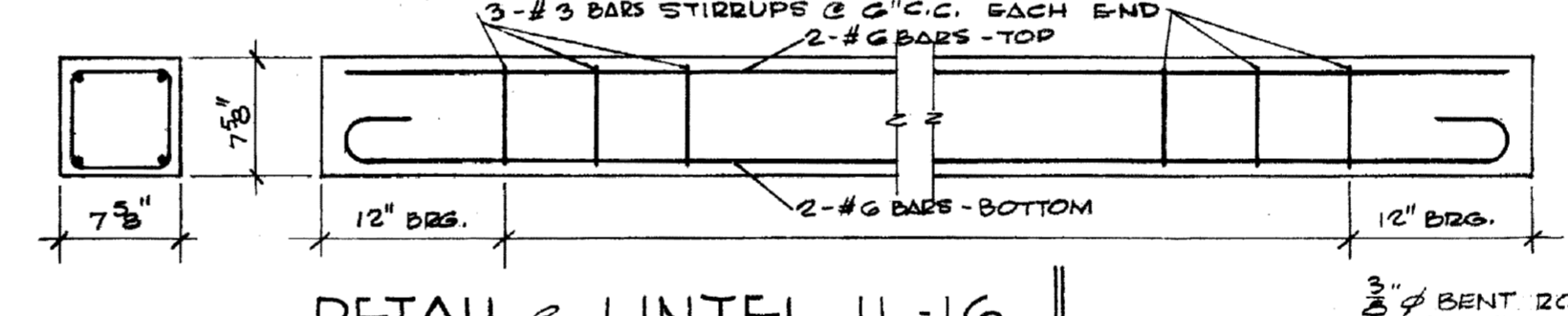
APPROVED BY: *Geoff Horvath* DATE: 5-3-62  
APPROVED BY: *Rich Army* DATE: 5-24-62

DATE: 5-3-62  
SCALE: AS SHOWN  
SPEC. NO.  
DRAWING NO. 117



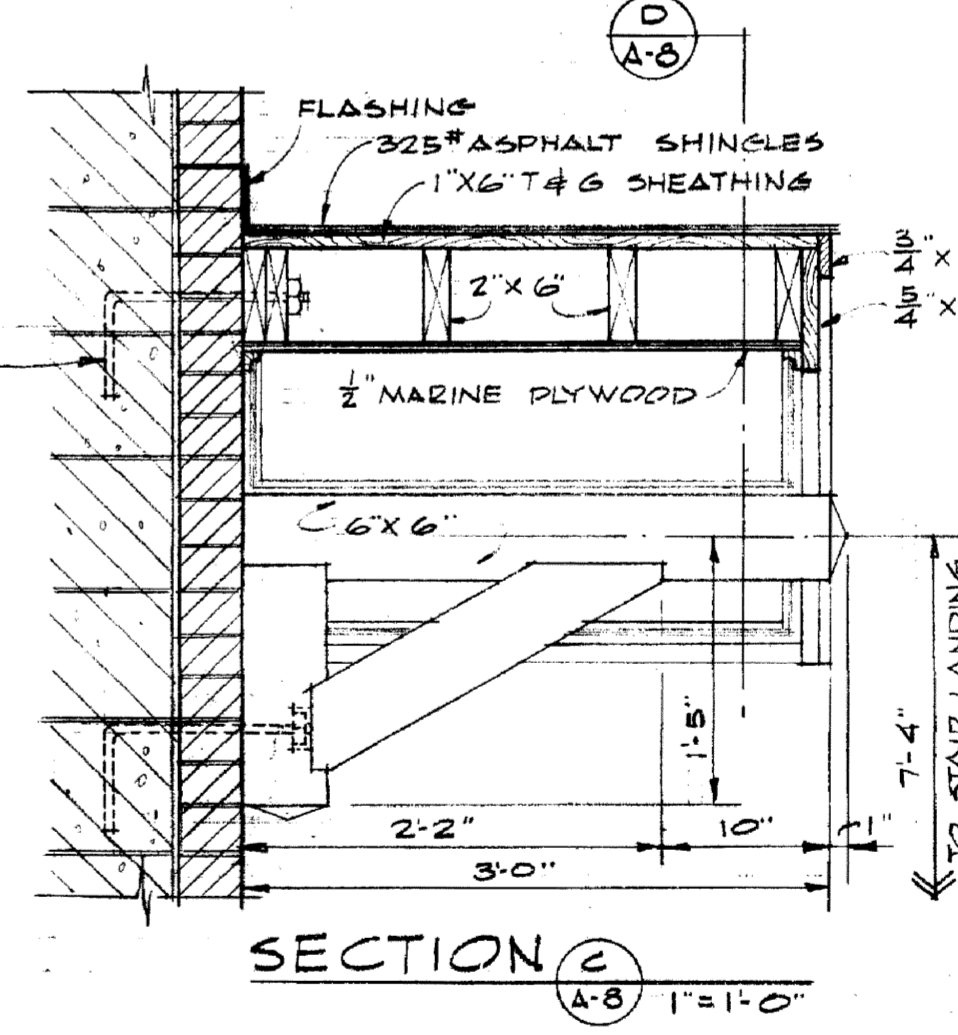


REAR (SOUTH) ELEVATION  
1/4" = 1'-0"

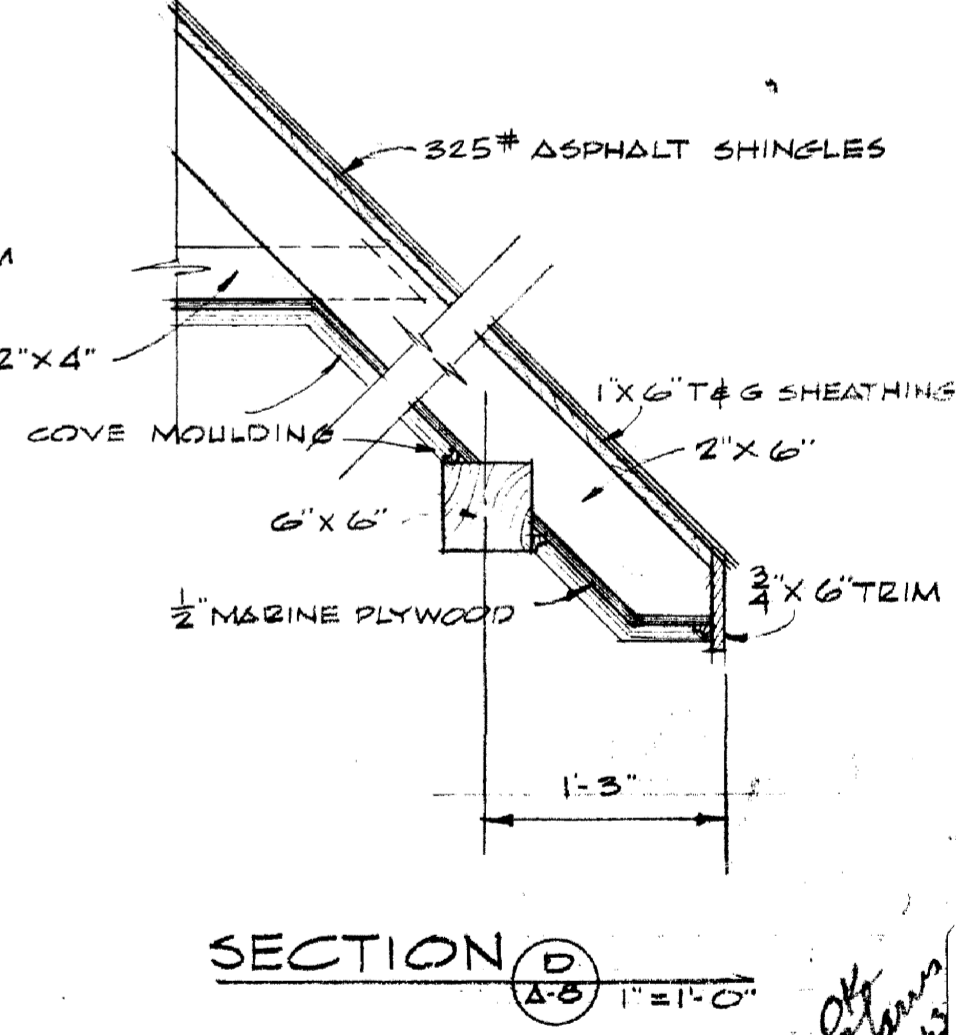


DETAIL of LINTEL 1L-16  
NOTE: ALL LINTELS SHALL HAVE 8\"/>

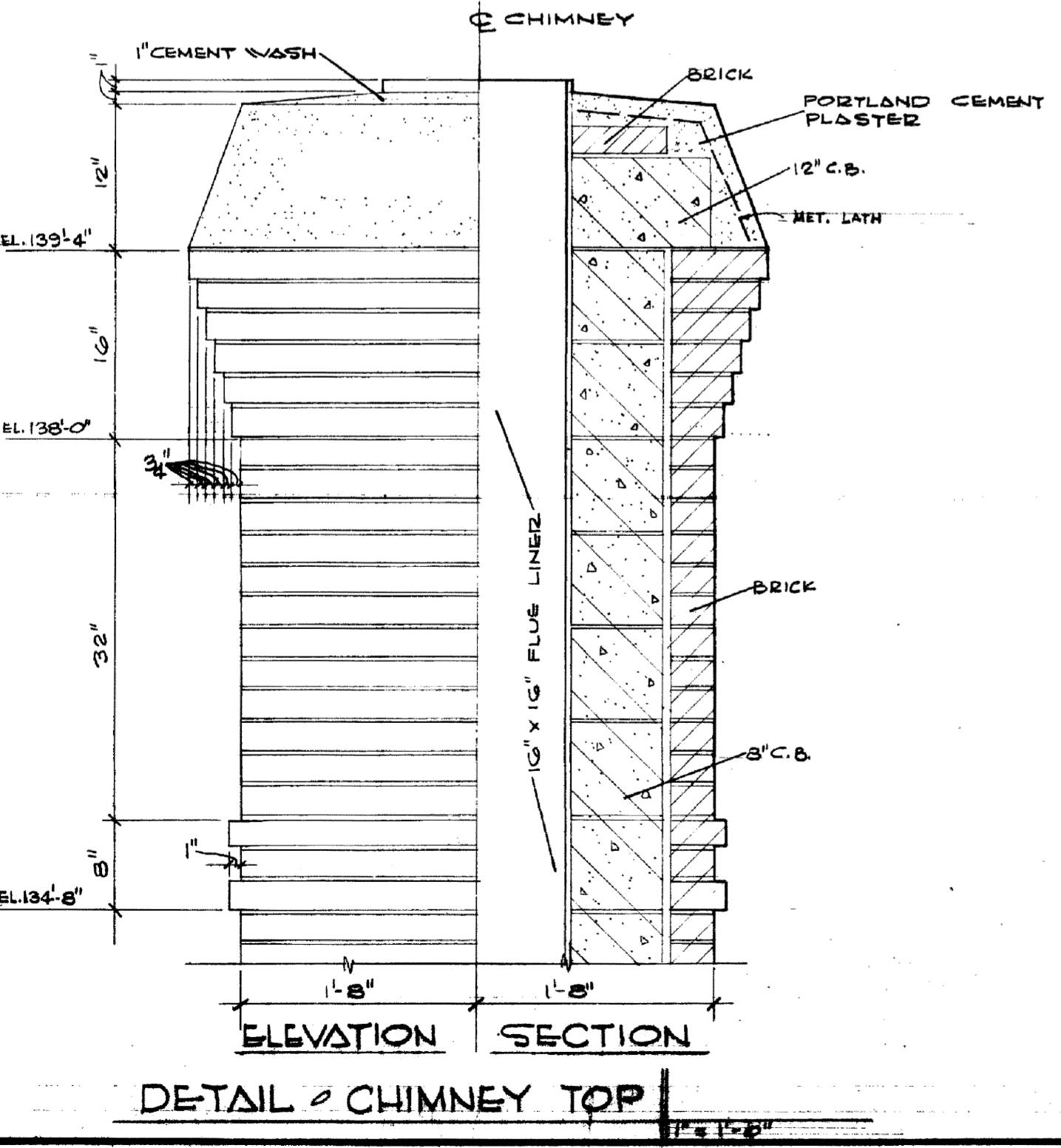
FLOOR MARK	No. O.	STEEL LINTEL	CONCRETE LINTEL		REMARKS
			WIDTH	DEPTH	
BAS. BL-1	2'-11"	1L-3 1/2 x 5 x 5/8	7 7/8"	7 7/8"	WINDOW
BAS. BL-2	4'-0"	1L-3 1/2 x 5 x 5/8	7 7/8"	7 7/8"	WINDOW
BAS. BL-3	3'-8"	1L-3 1/2 x 5 x 5/8	9 5/8"	7 7/8"	DOOR 02
BAS. BL-4	3'-7"	1L-3 1/2 x 5 x 5/8	7 7/8"	7 7/8"	WINDOW
BAS. BL-5	3'-4"	1L-3 1/2 x 5 x 5/8	7 7/8"	7 7/8"	METAL LOUVER-MECHANICAL ROOM
BAS. BL-6	3'-4"	1L-3 1/2 x 5 x 5/8	7 7/8"	7 7/8"	DOORS No. 01, 03
BAS. BL-7	2'-8"	1L-3 1/2 x 5 x 5/8	11 5/8"	7 7/8"	WINDOW
BAS. BL-8	2'-8"	1L-3 1/2 x 5 x 5/8	9 5/8"	7 7/8"	WINDOW
BAS. BL-9	2'-8"	1L-3 1/2 x 5 x 5/8	9 5/8"	7 7/8"	WINDOW
BAS. BL-10	1'-4"	4" x 11" x 2'-0"	7 7/8"	7 7/8"	2#5
FIRST FL. 1L-1	8'-0"	1L-4 x 6 x 3/8	3 5/8"	7 7/8"	DOOR 101
FIRST FL. 1L-2	8'-0"	1L-4 x 6 x 3/8	5 5/8"	7 7/8"	DOOR 109
FIRST FL. 1L-3	5'-8"	1L-3 1/2 x 5 x 5/8	7 7/8"	7 7/8"	DOOR 106, 107
FIRST FL. 1L-4	5'-4"	1L-3 1/2 x 5 x 5/8	7 7/8"	7 7/8"	WINDOW
FIRST FL. 1L-5	5'-3"	1L-3 1/2 x 5 x 5/8	7 7/8"	7 7/8"	WINDOW
FIRST FL. 1L-6	5'-0"	1L-3 1/2 x 5 x 5/8	3 5/8"	7 7/8"	DOOR 117
FIRST FL. 1L-7	3'-7"	1L-3 1/2 x 5 x 5/8	7 7/8"	7 7/8"	WINDOW
FIRST FL. 1L-8	3'-4"	1L-3 1/2 x 5 x 5/8	7 7/8"	7 7/8"	DOORS 123, 125
FIRST FL. 1L-9	3'-4"	1L-3 1/2 x 5 x 5/8	5 5/8"	7 7/8"	DOOR 102
FIRST FL. 1L-10	3'-0"	1L-3 1/2 x 5 x 5/8	7 7/8"	7 7/8"	DOORS 103, 104, 105, 110, 122, 124
FIRST FL. 1L-11	3'-0"	1L-3 1/2 x 5 x 5/8	5 5/8"	7 7/8"	DOOR 114
FIRST FL. 1L-12	2'-8"	1L-3 1/2 x 5 x 5/8	7 7/8"	7 7/8"	DOOR 116
FIRST FL. 1L-13	2'-8"	1L-3 1/2 x 5 x 5/8	5 5/8"	7 7/8"	DOORS 108, 115, 118
FIRST FL. 1L-14	2'-4"	1L-3 1/2 x 5 x 5/8	7 7/8"	7 7/8"	DOOR 121
FIRST FL. 1L-15	2'-4"	1L-3 1/2 x 5 x 5/8	5 5/8"	7 7/8"	DOOR 120
FIRST FL. 1L-16	0'-0"	1L-3 1/2 x 5 x 5/8	7 7/8"	7 7/8"	2#6
SECOND FL. 2L-1	5'-4"	1L-3 1/2 x 5 x 5/8	3 5/8"	7 7/8"	DOOR 201
SECOND FL. 2L-2	5'-3"	1L-3 1/2 x 5 x 5/8	7 7/8"	7 7/8"	WINDOW
SECOND FL. 2L-3	3'-7"	1L-3 1/2 x 5 x 5/8	7 7/8"	7 7/8"	WINDOW
SECOND FL. 2L-4	3'-0"	1L-3 1/2 x 5 x 5/8	7 7/8"	7 7/8"	DOORS 210, 220
SECOND FL. 2L-5	2'-8"	1L-3 1/2 x 5 x 5/8	7 7/8"	7 7/8"	DOORS 214, 215, 216, 217
SECOND FL. 2L-6	2'-0"	1L-3 1/2 x 5 x 5/8	7 7/8"	7 7/8"	2#5



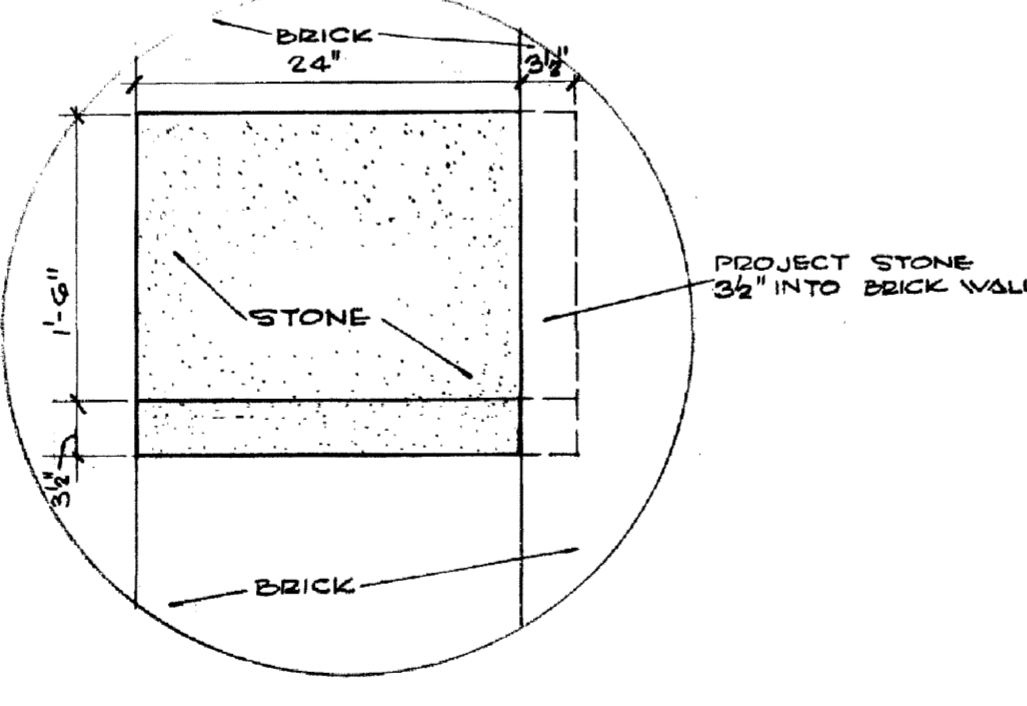
SECTION C  
1" = 1'-0"



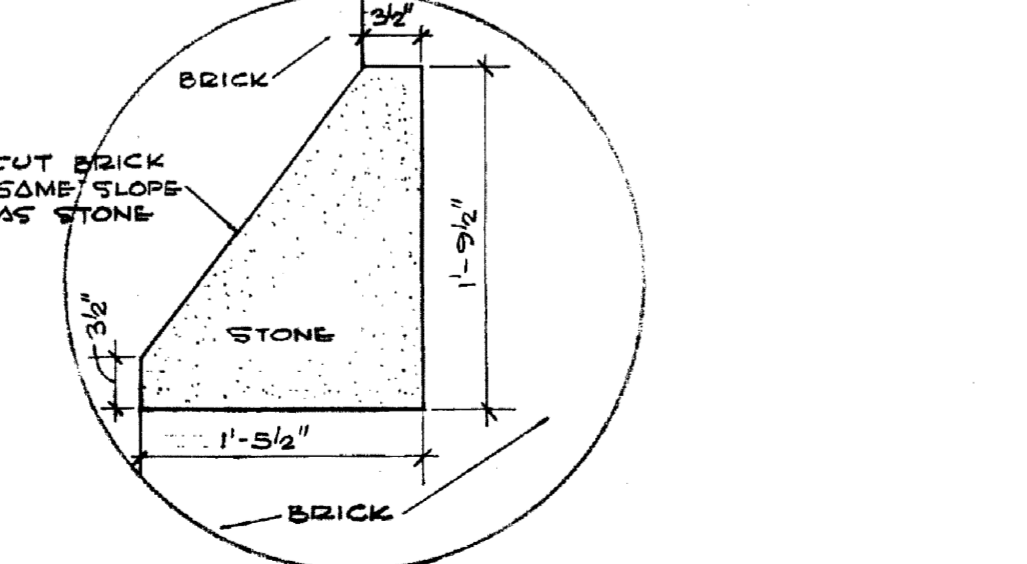
SECTION D  
1" = 1'-0"



DETAIL of CHIMNEY TOP  
1/2" = 1'-0"



DETAIL A  
1" = 1'-0"



DETAIL B  
1" = 1'-0"

REAR ELEVATION - LINTEL SCHEDULE

**SIGMA NU FRATERNITY HOUSE**  
UNIVERSITY OF KENTUCKY  
LEXINGTON, KENTUCKY

DRAWN BY: L.T. - J.B.  
TRACED BY: N.C.  
CHECKED BY: N.C.

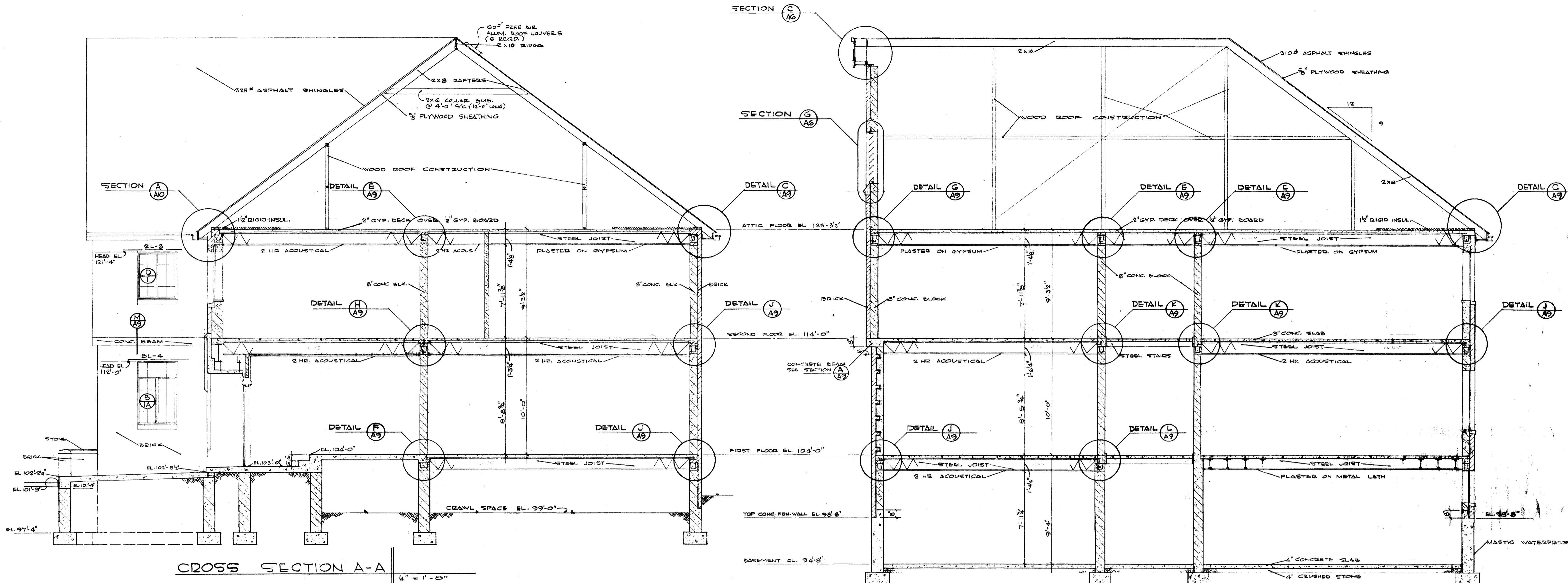
**GILLIG • CHRISMAN & MILLER**  
ARCHITECTS ASSOCIATED  
180 WALNUT STREET, LEXINGTON, KENTUCKY

APPROVED BY: *George R. Ravanatoro*  
AGENCY HEAD

APPROVED BY: *Keith Askey*  
CHIEF OF STAFF

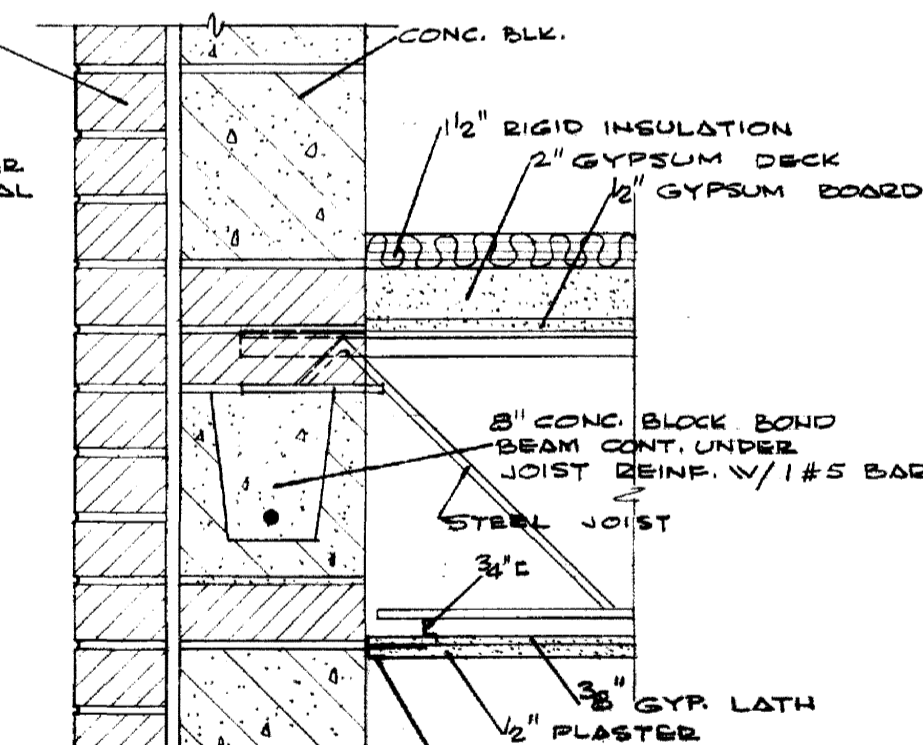
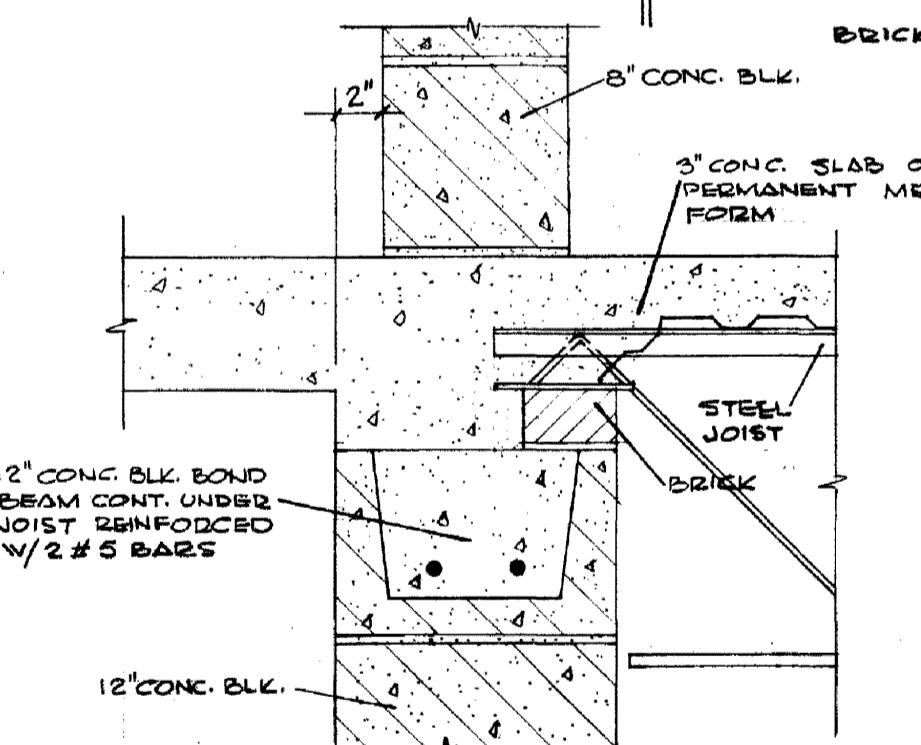
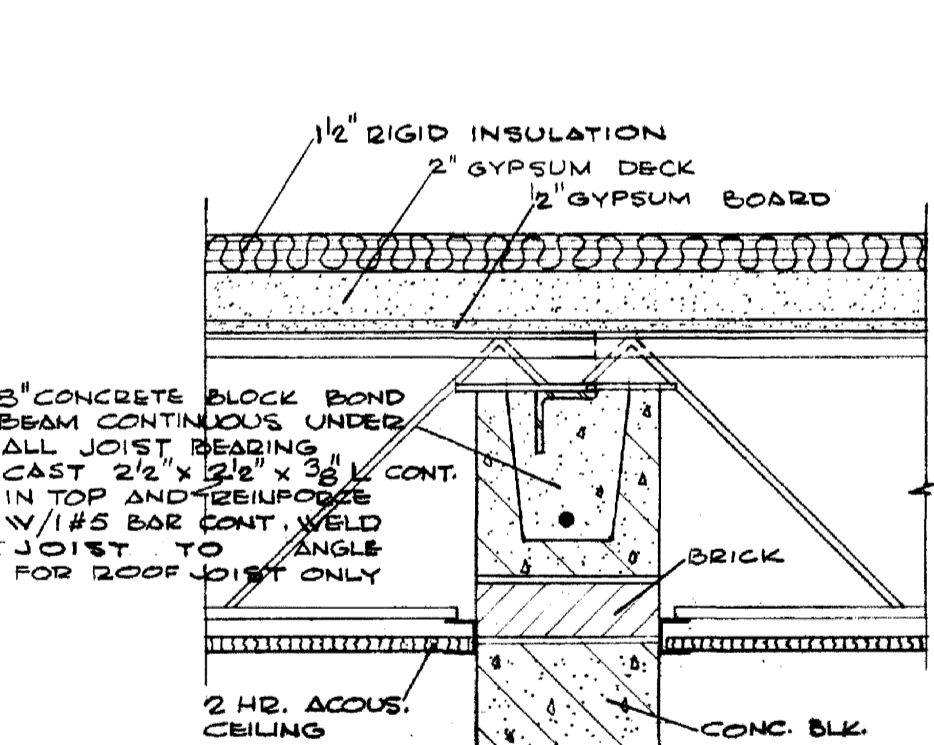
DATE: 5-2-63  
SCALE: AS SHOWN  
SPEC. NO.  
DRAWING NO. AS

DATE: 5-24-63



CROSS SECTION A-A

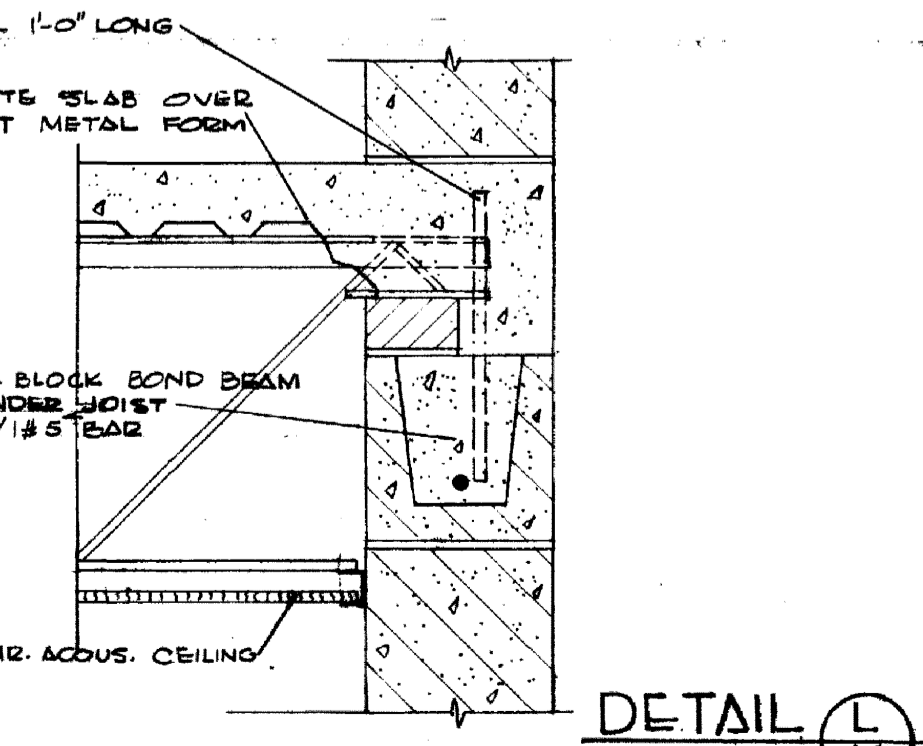
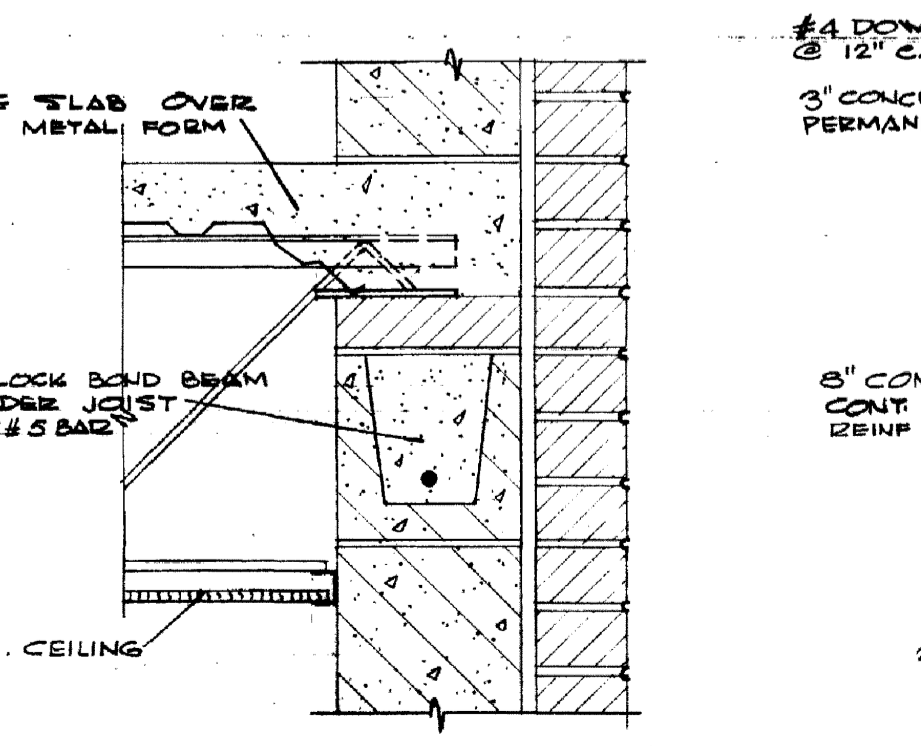
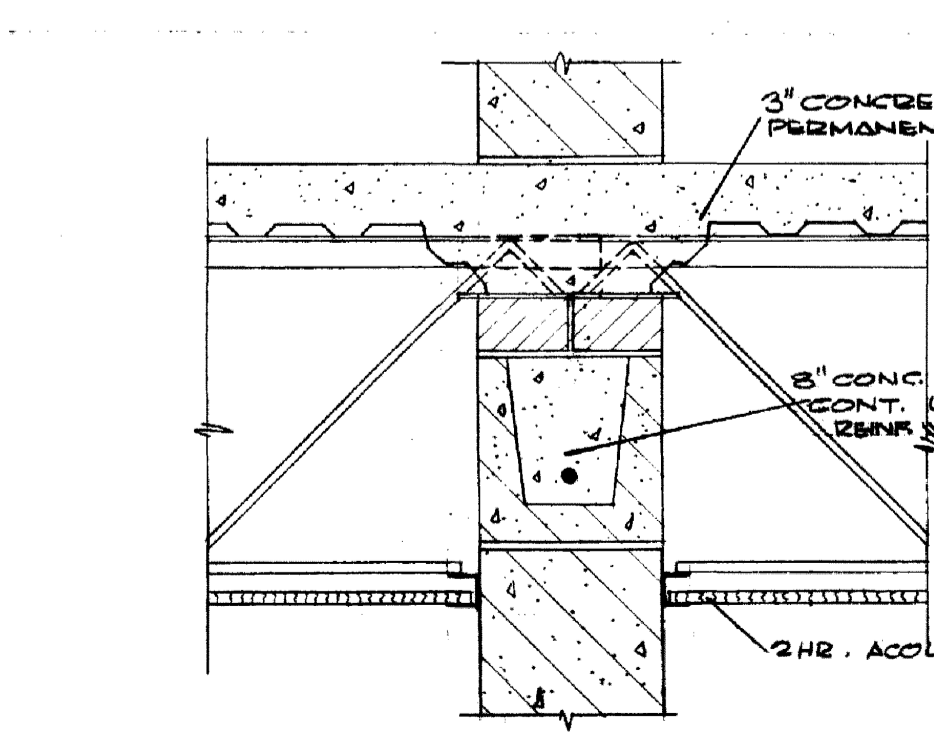
CROSS SECTION B-B



DETAIL E

DETAIL F

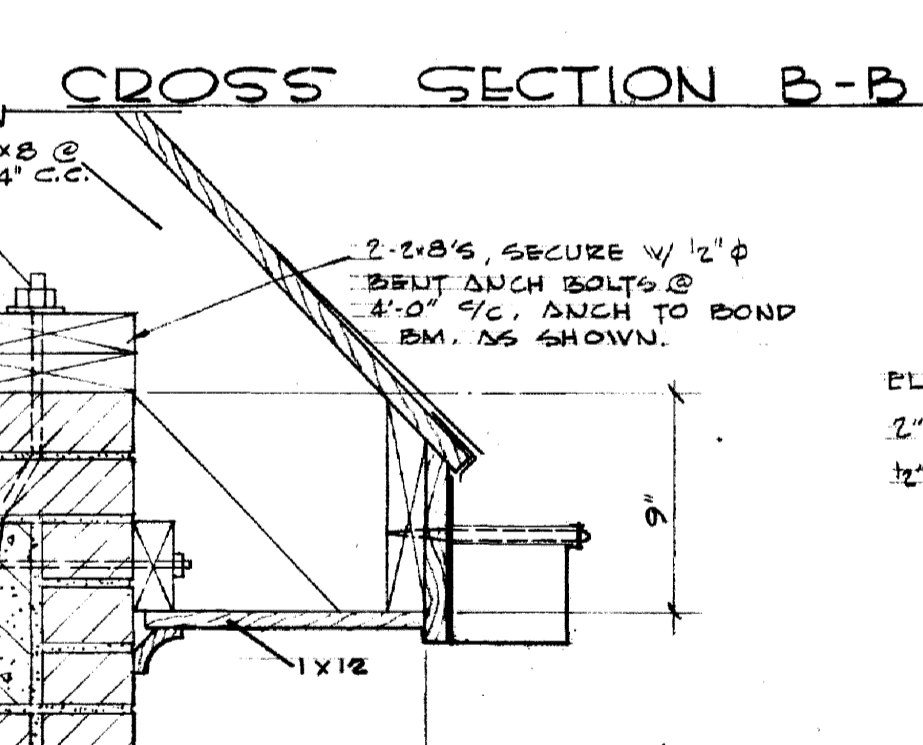
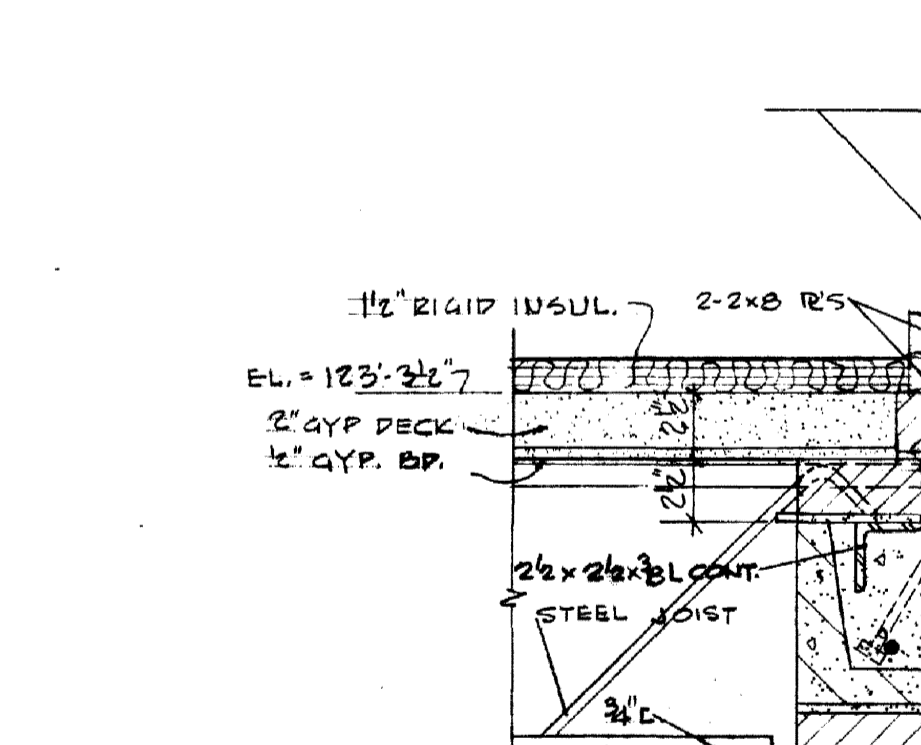
DETAIL G



DETAIL H

DETAIL J

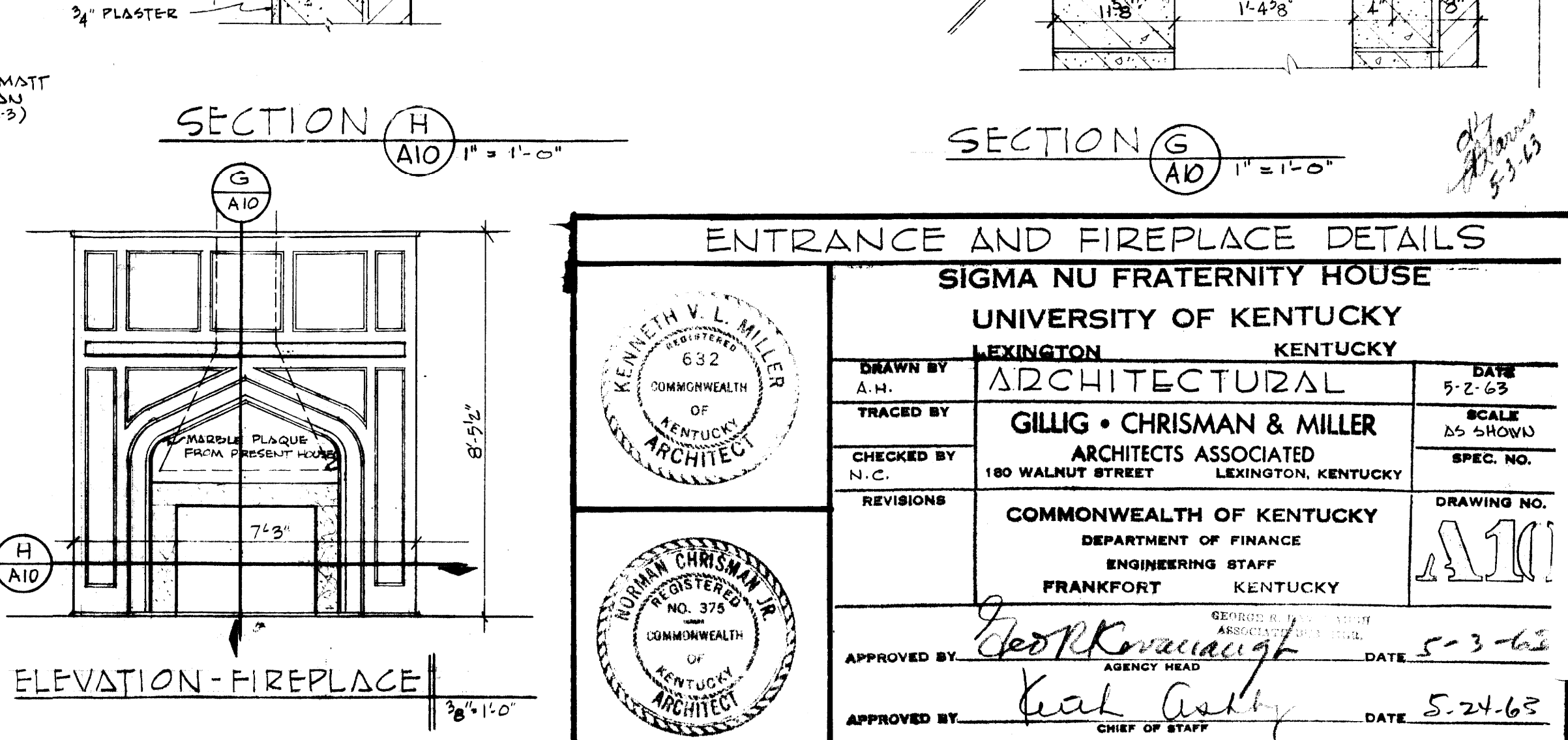
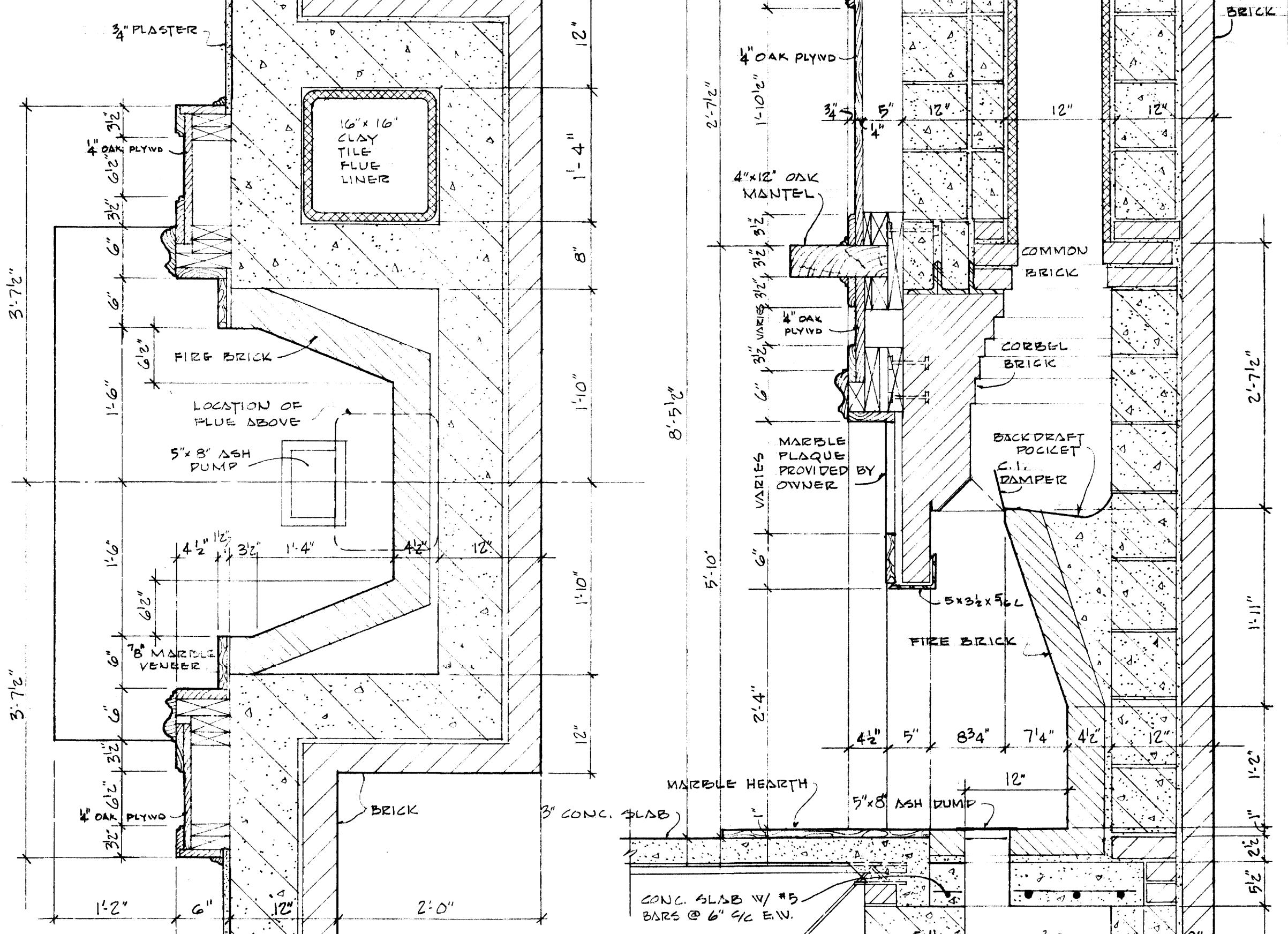
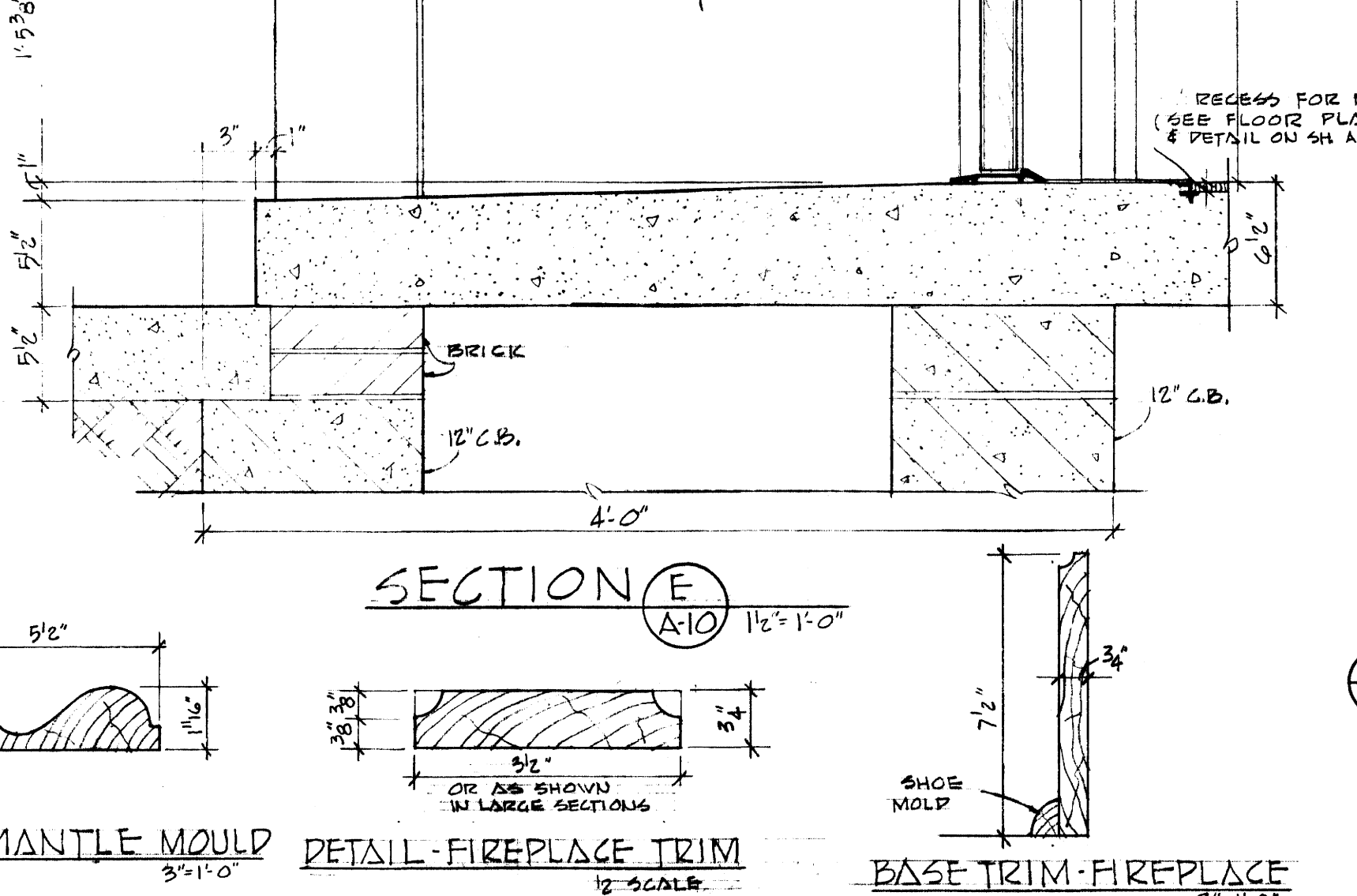
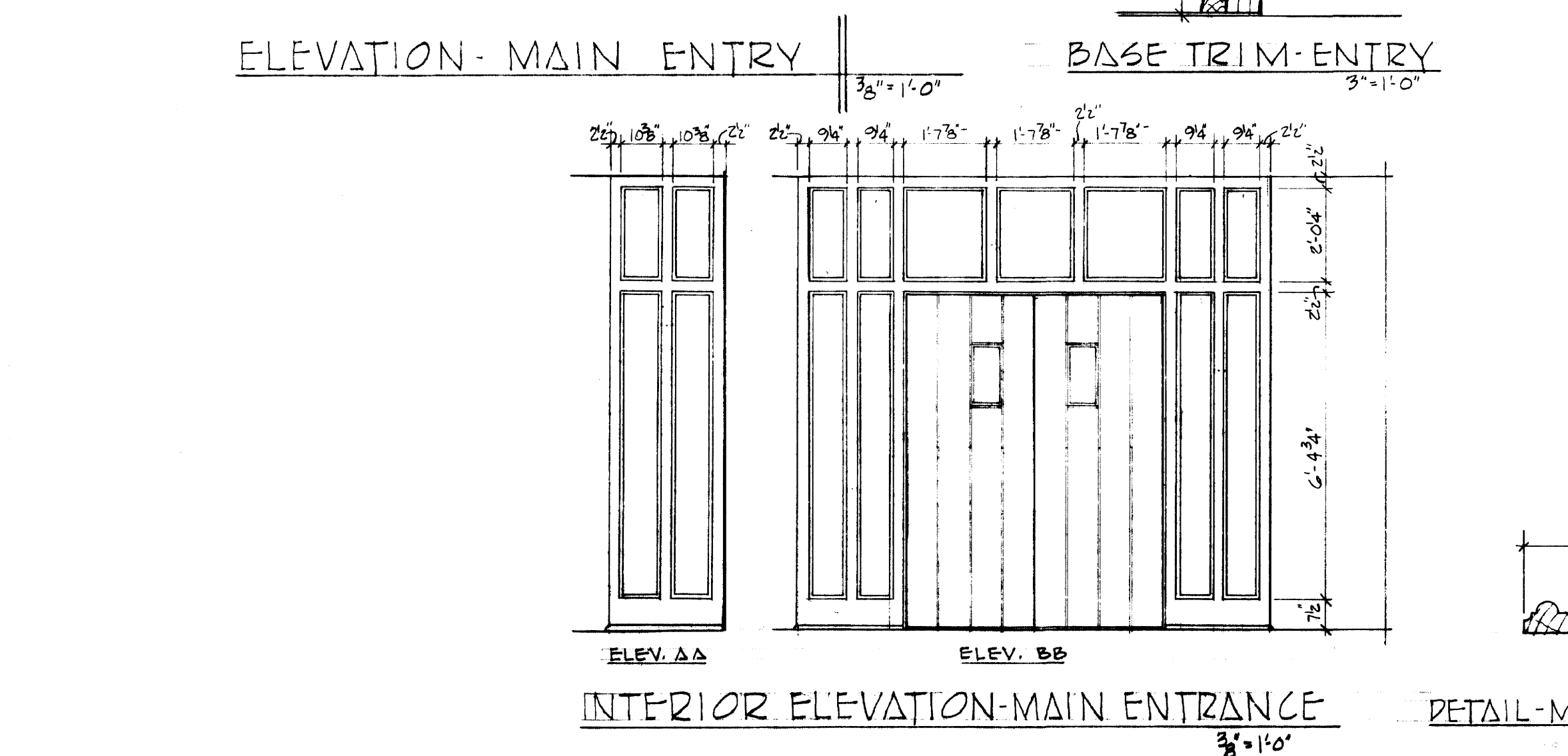
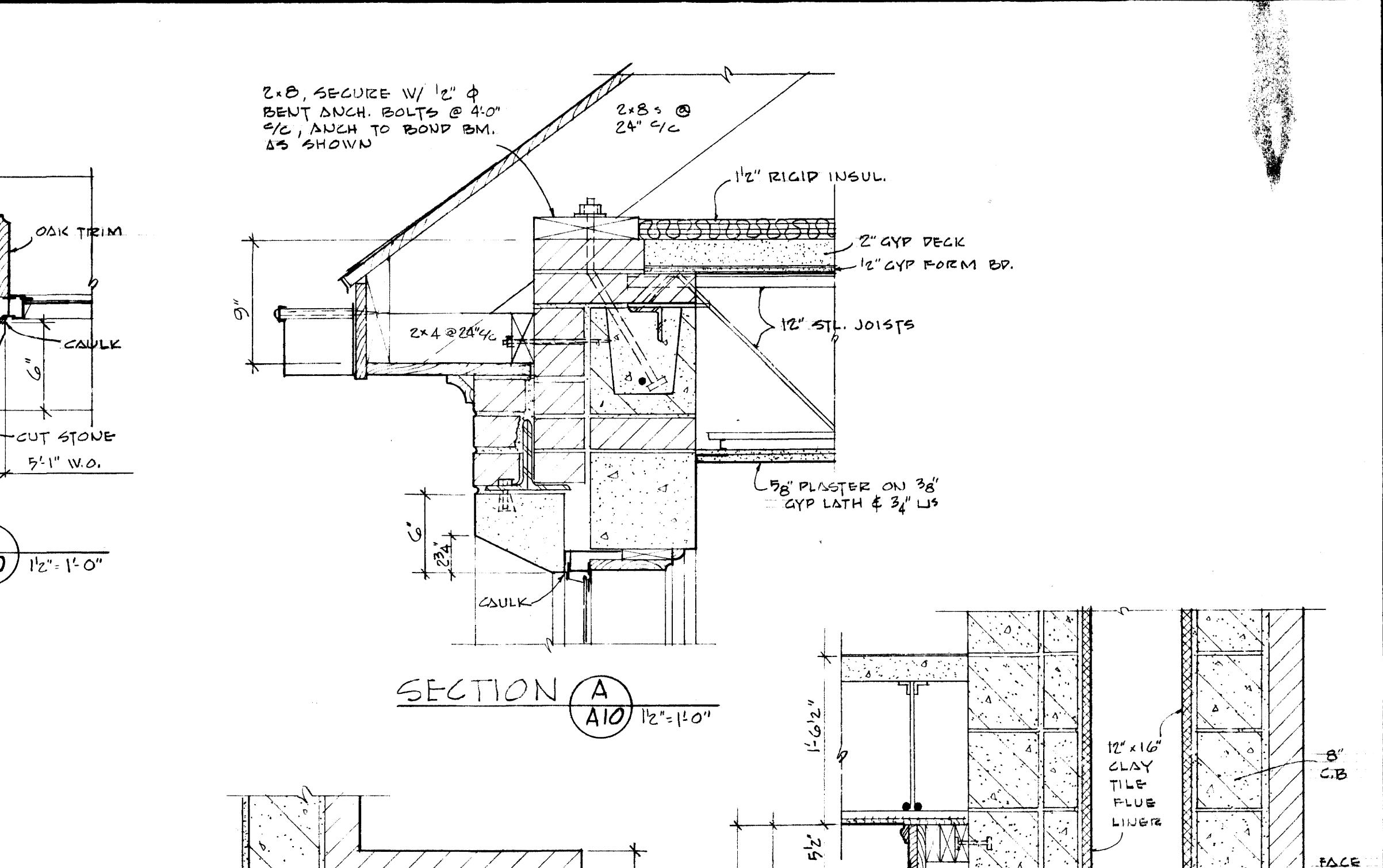
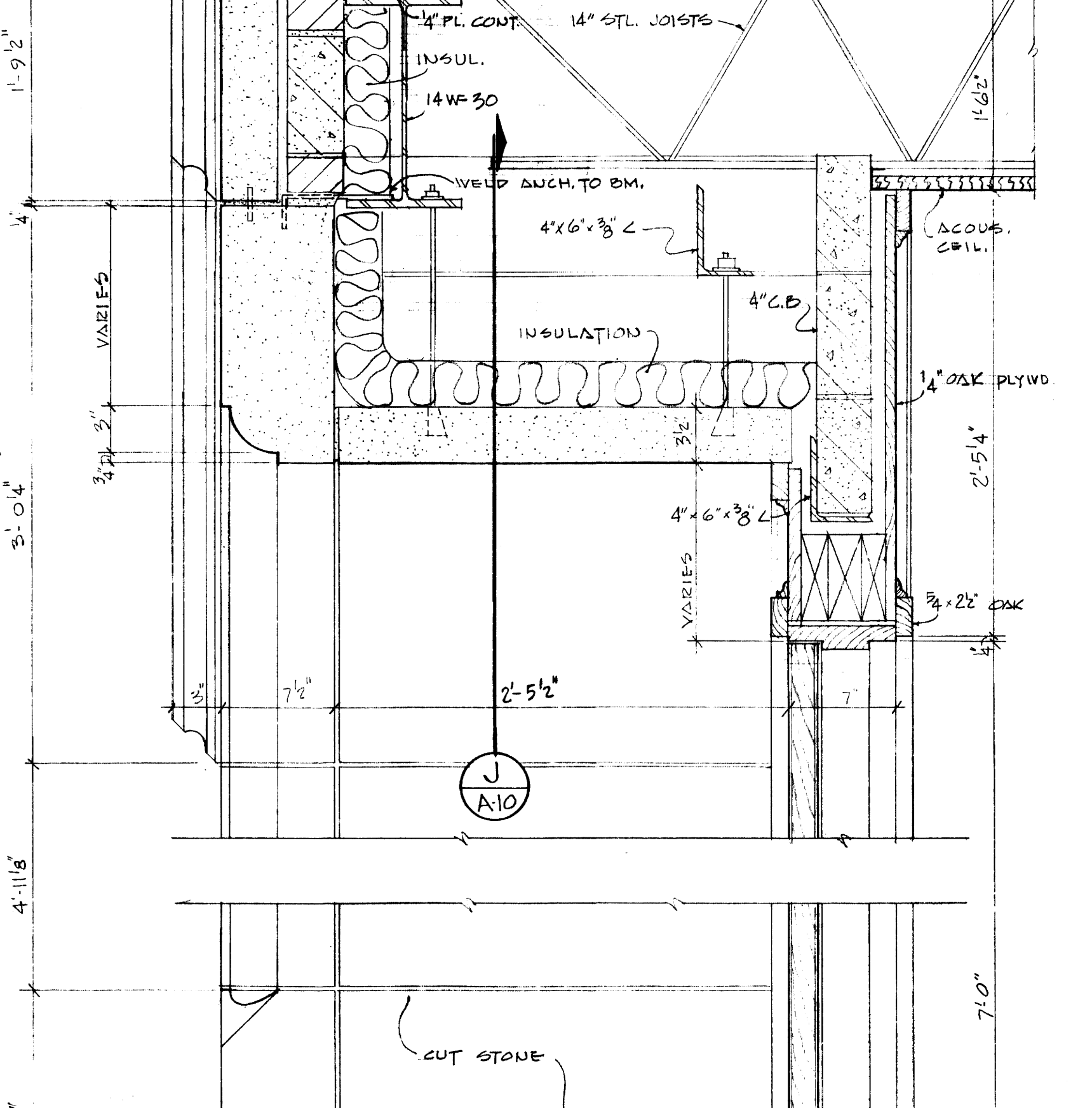
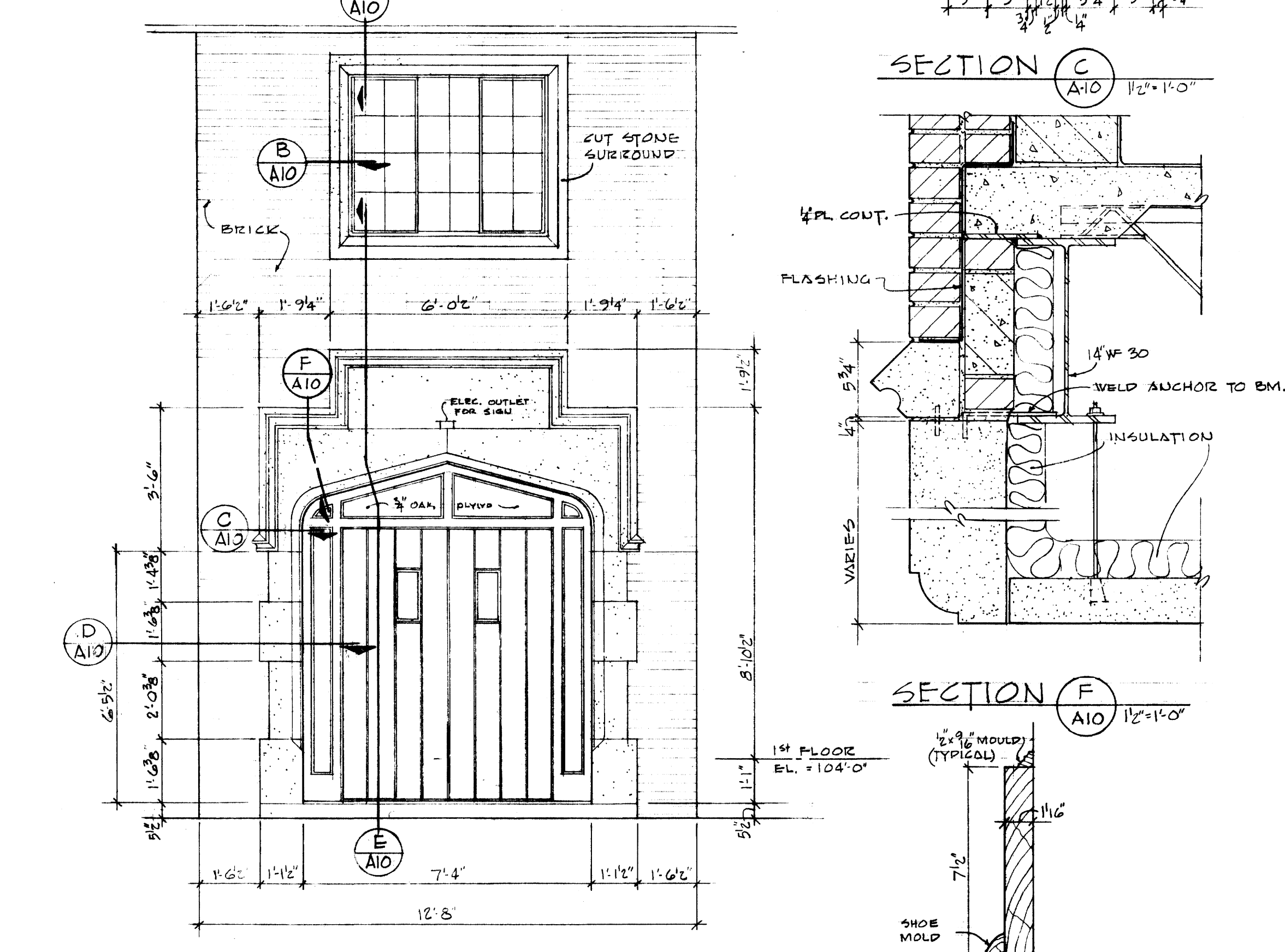
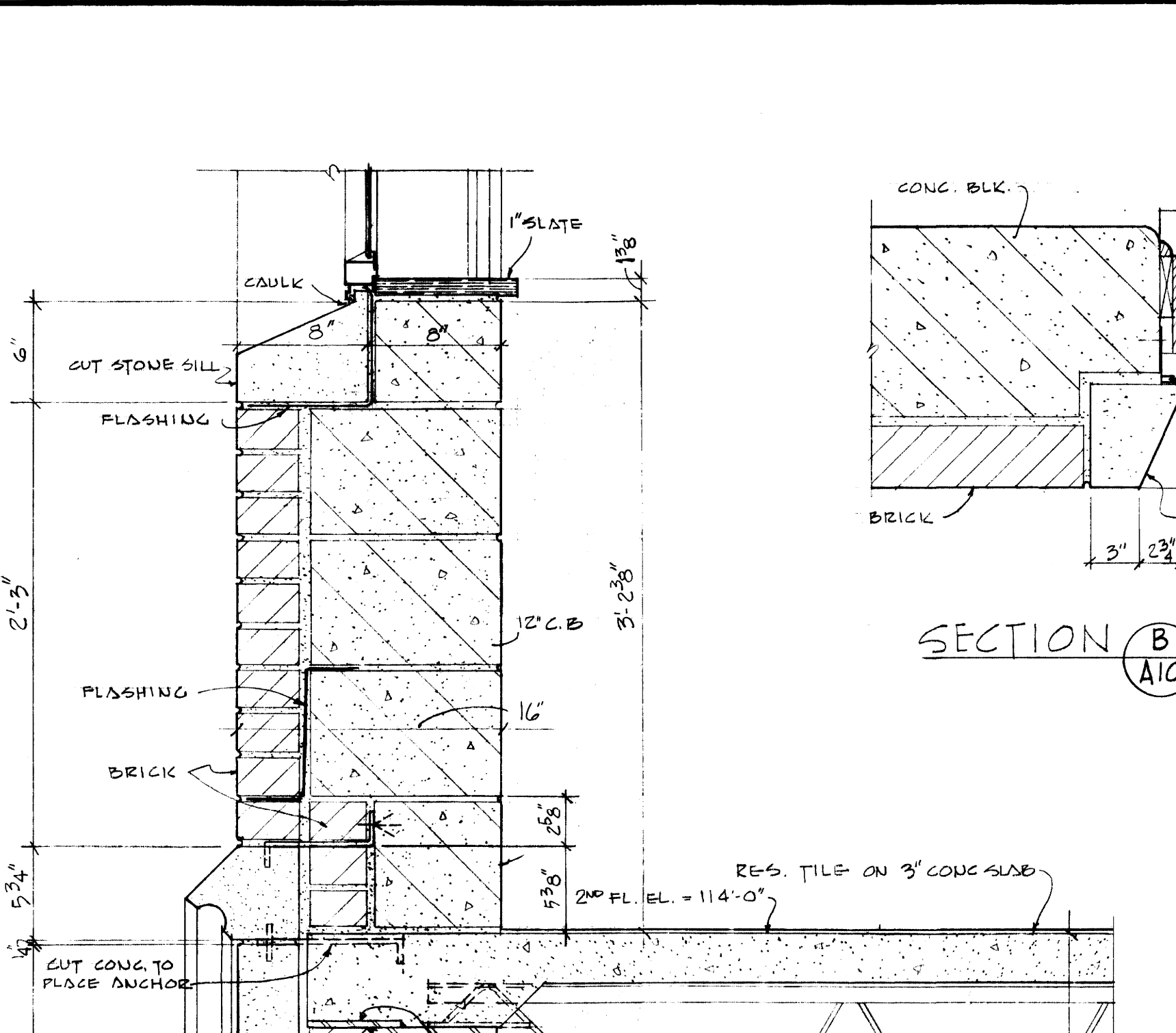
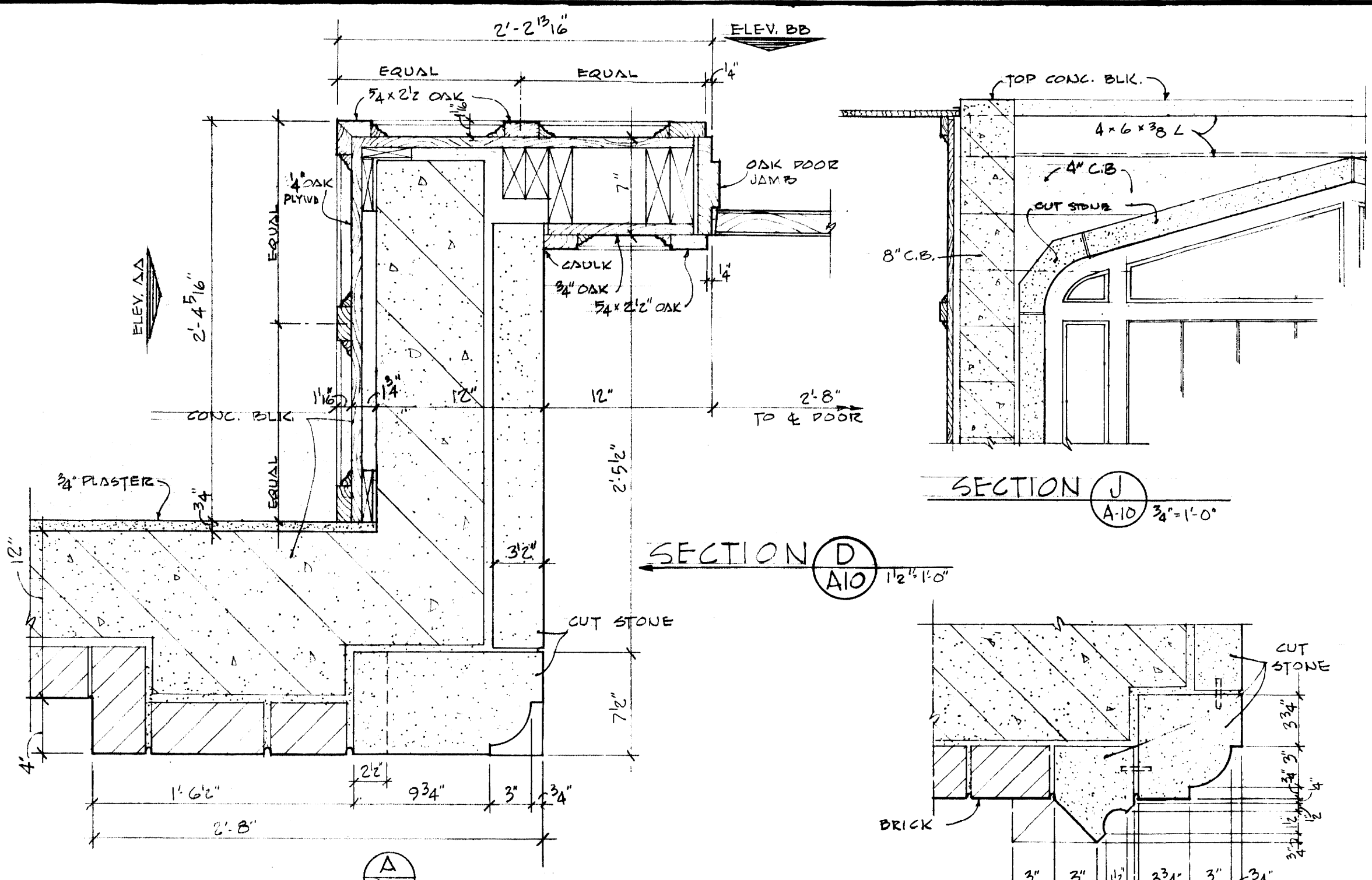
DETAIL K



SECTION D

SECTION M

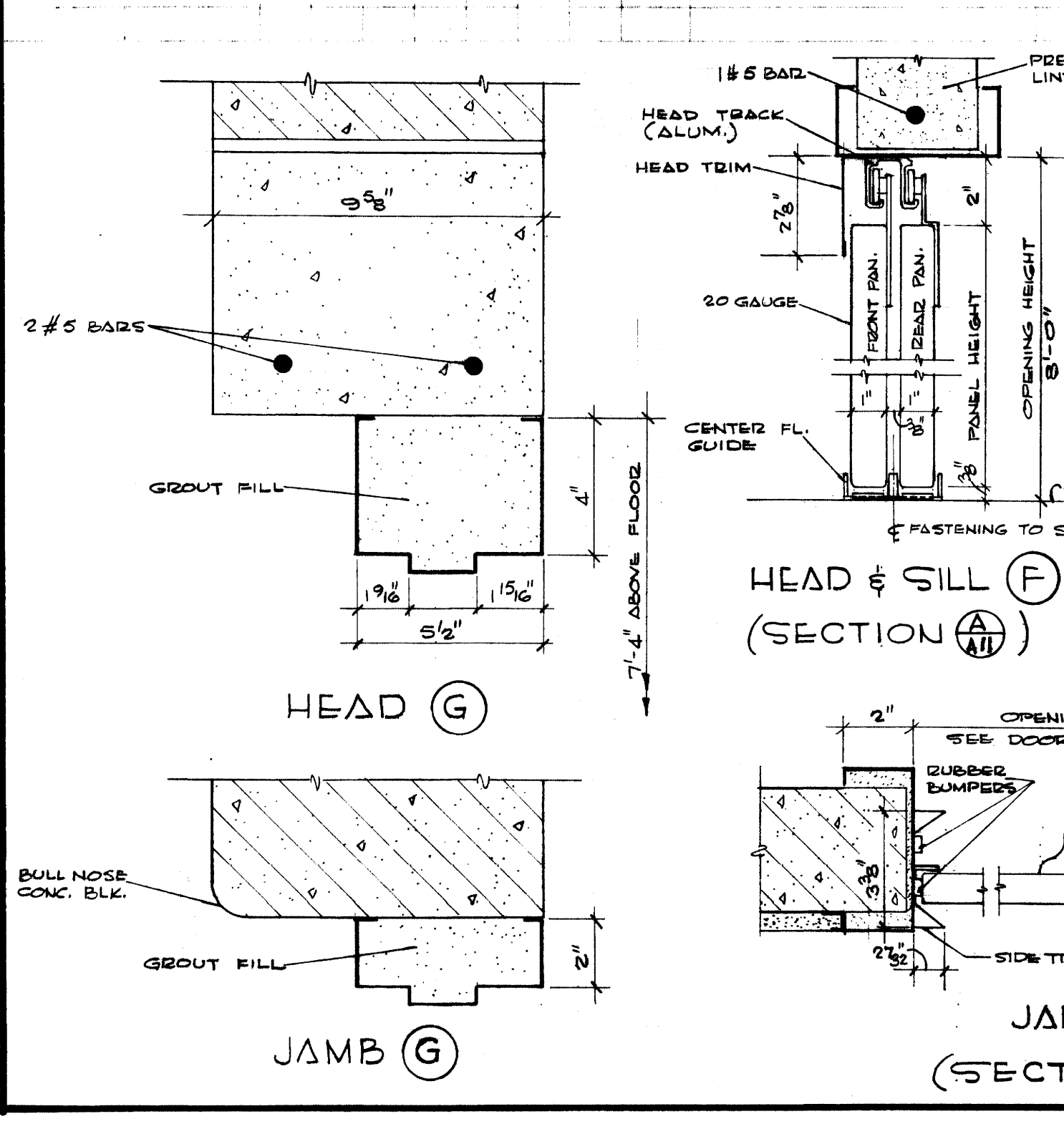
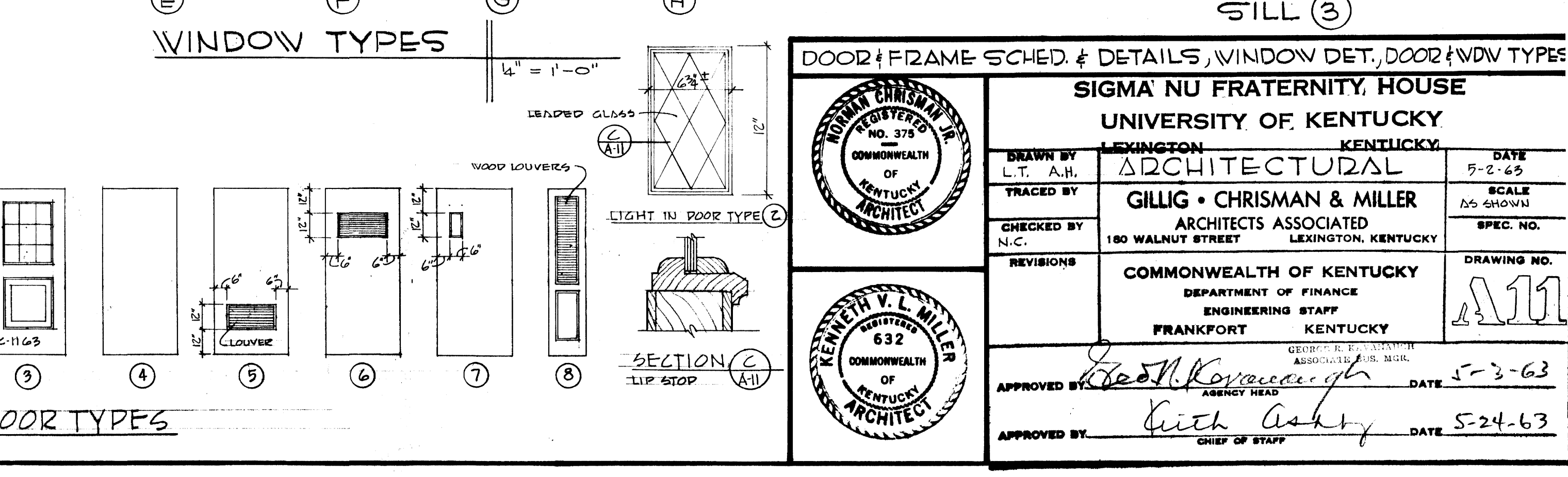
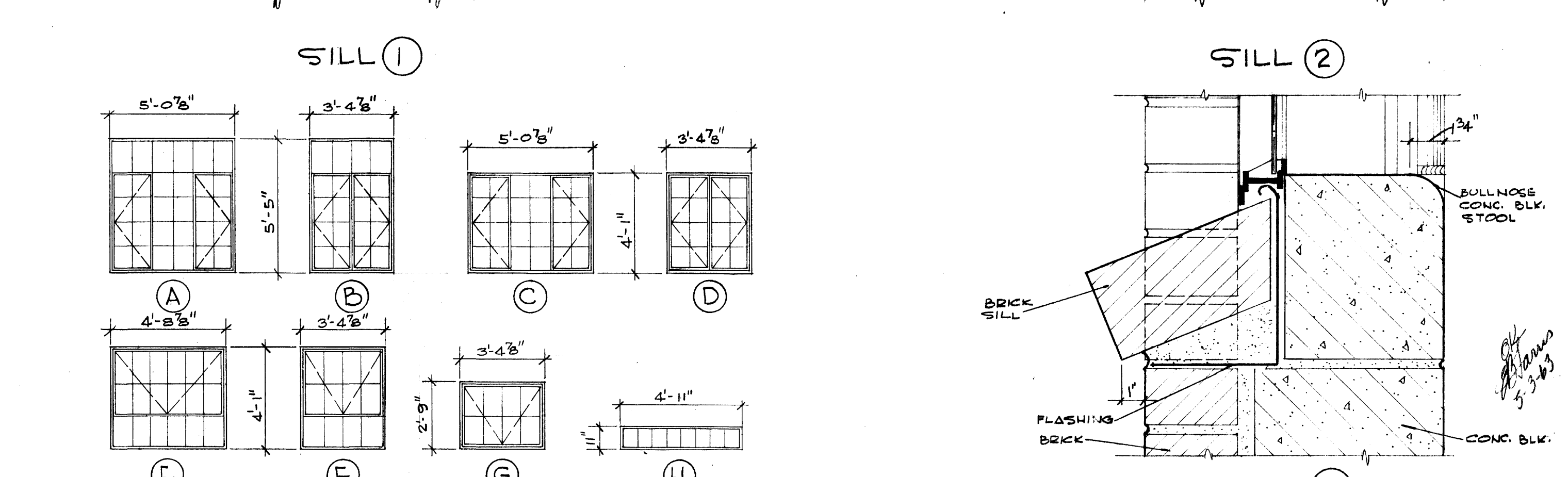
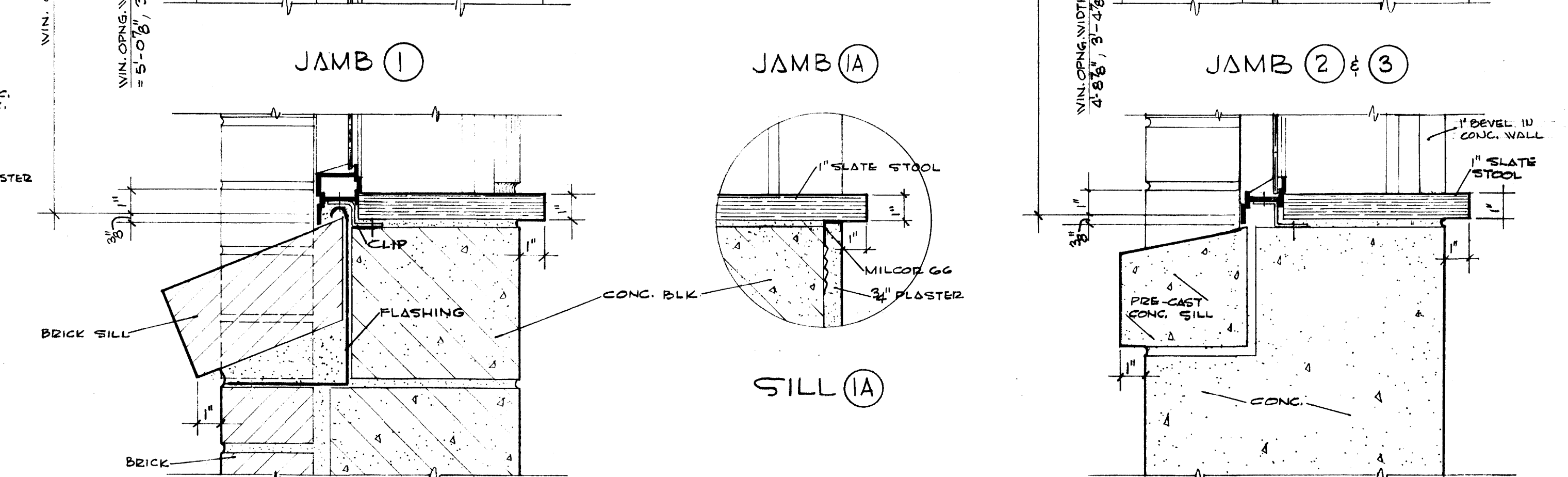
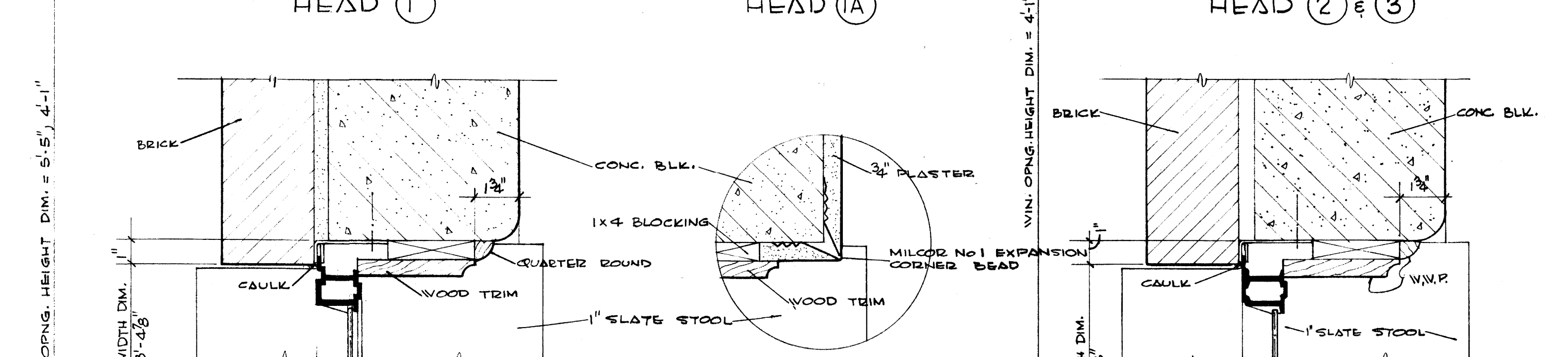
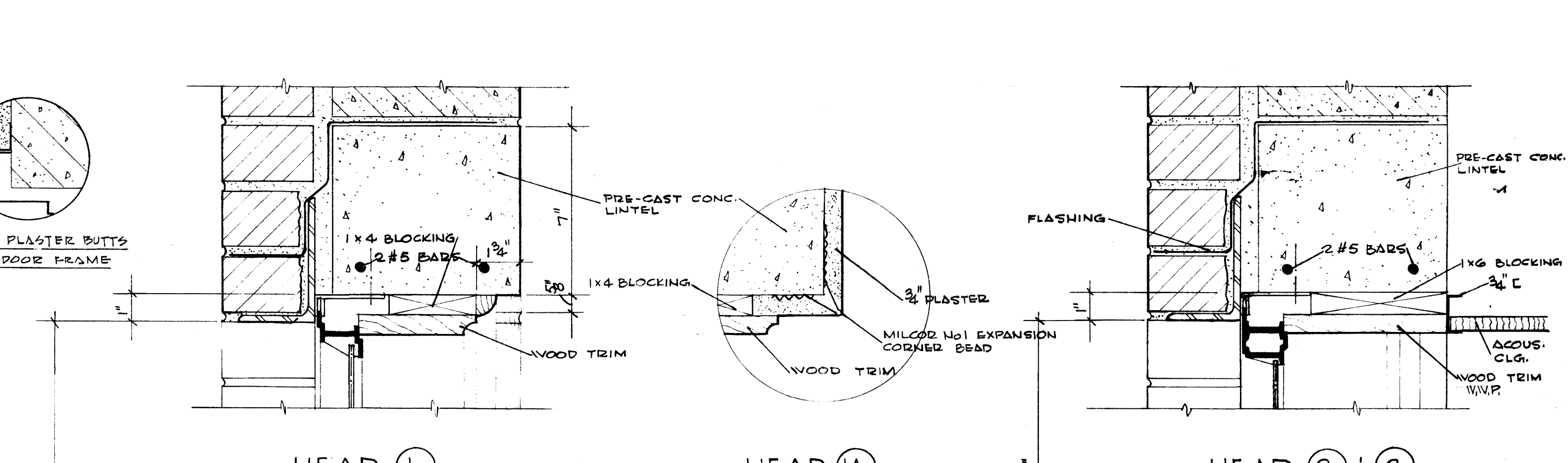
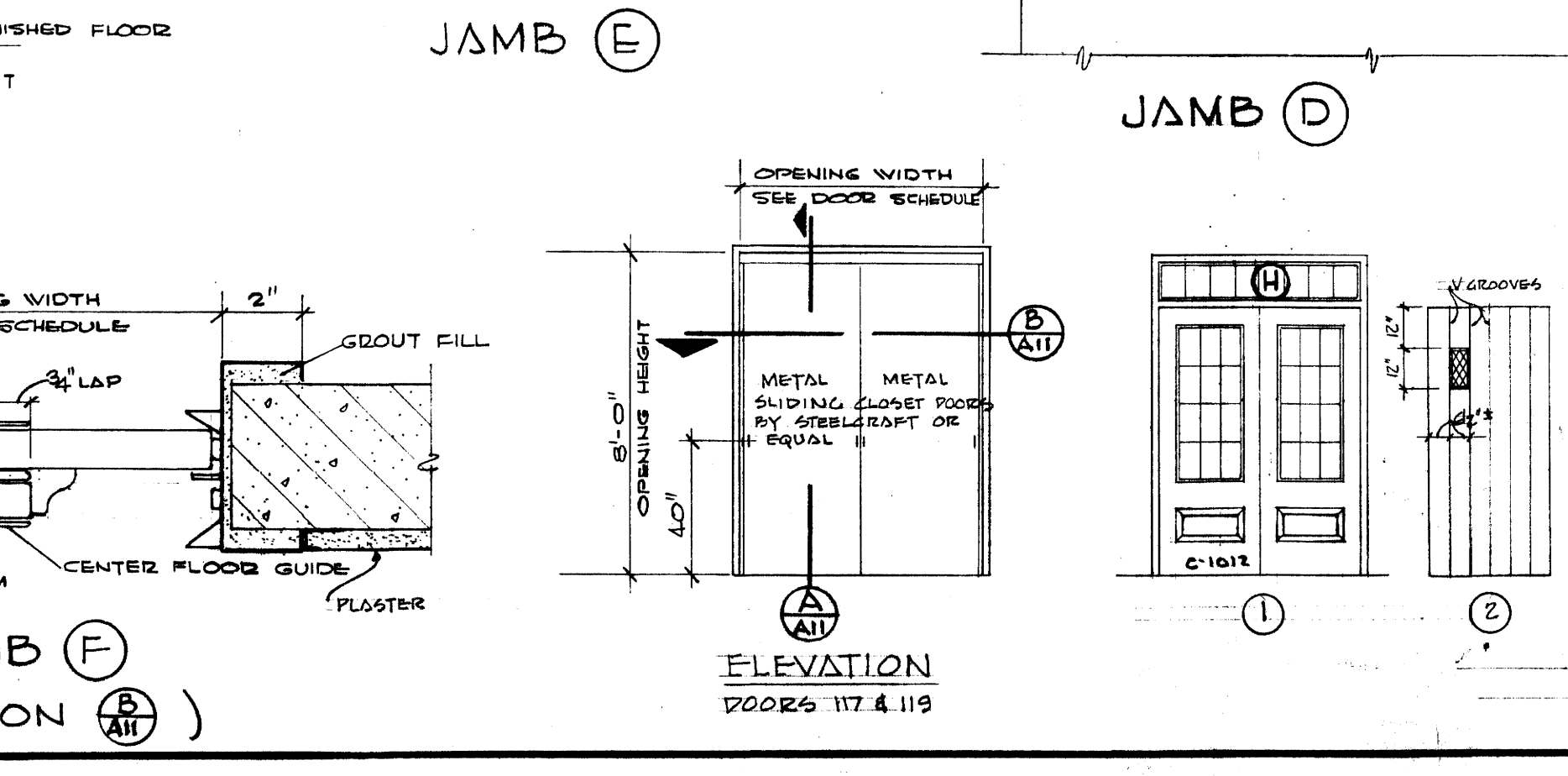
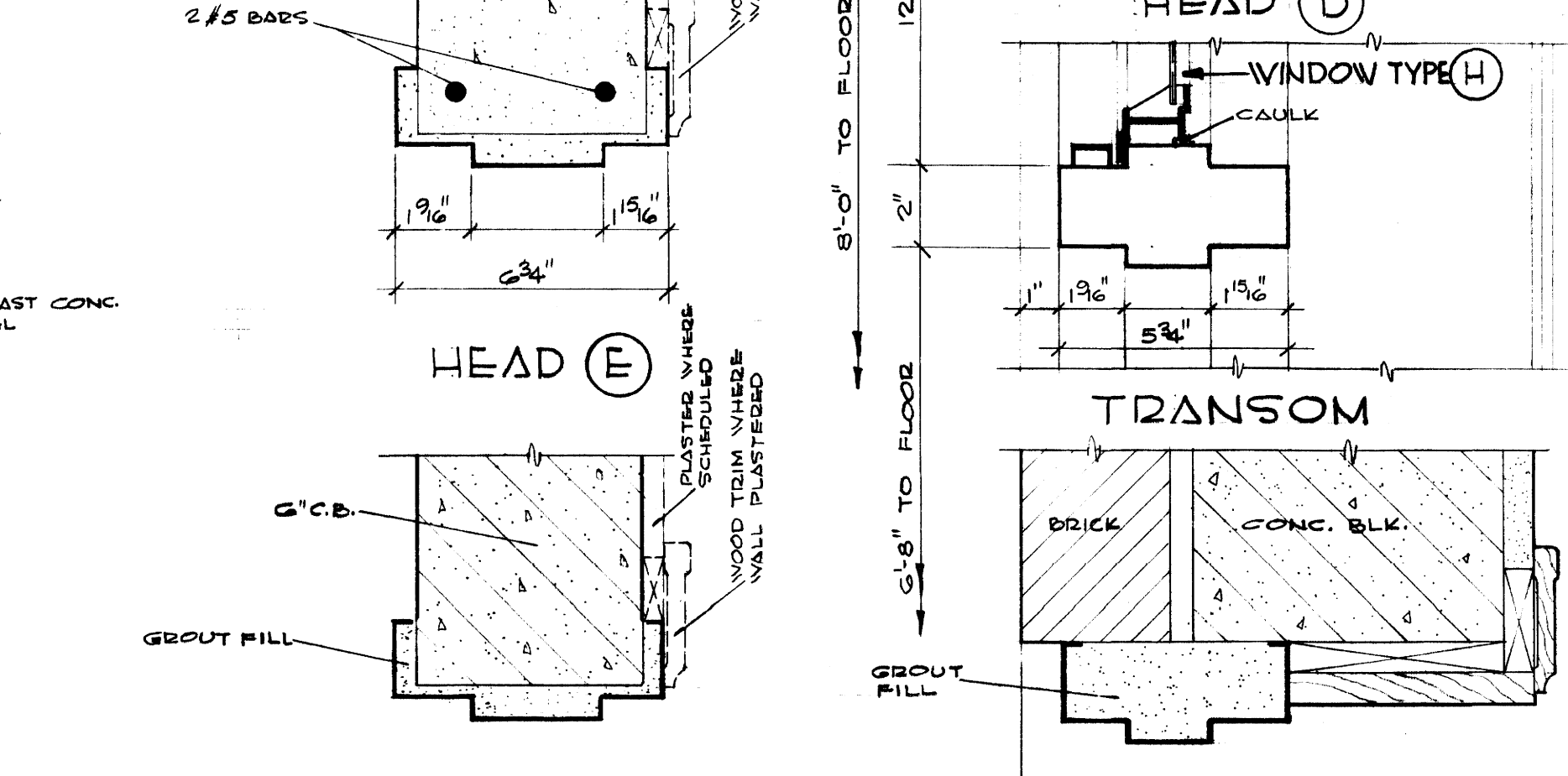
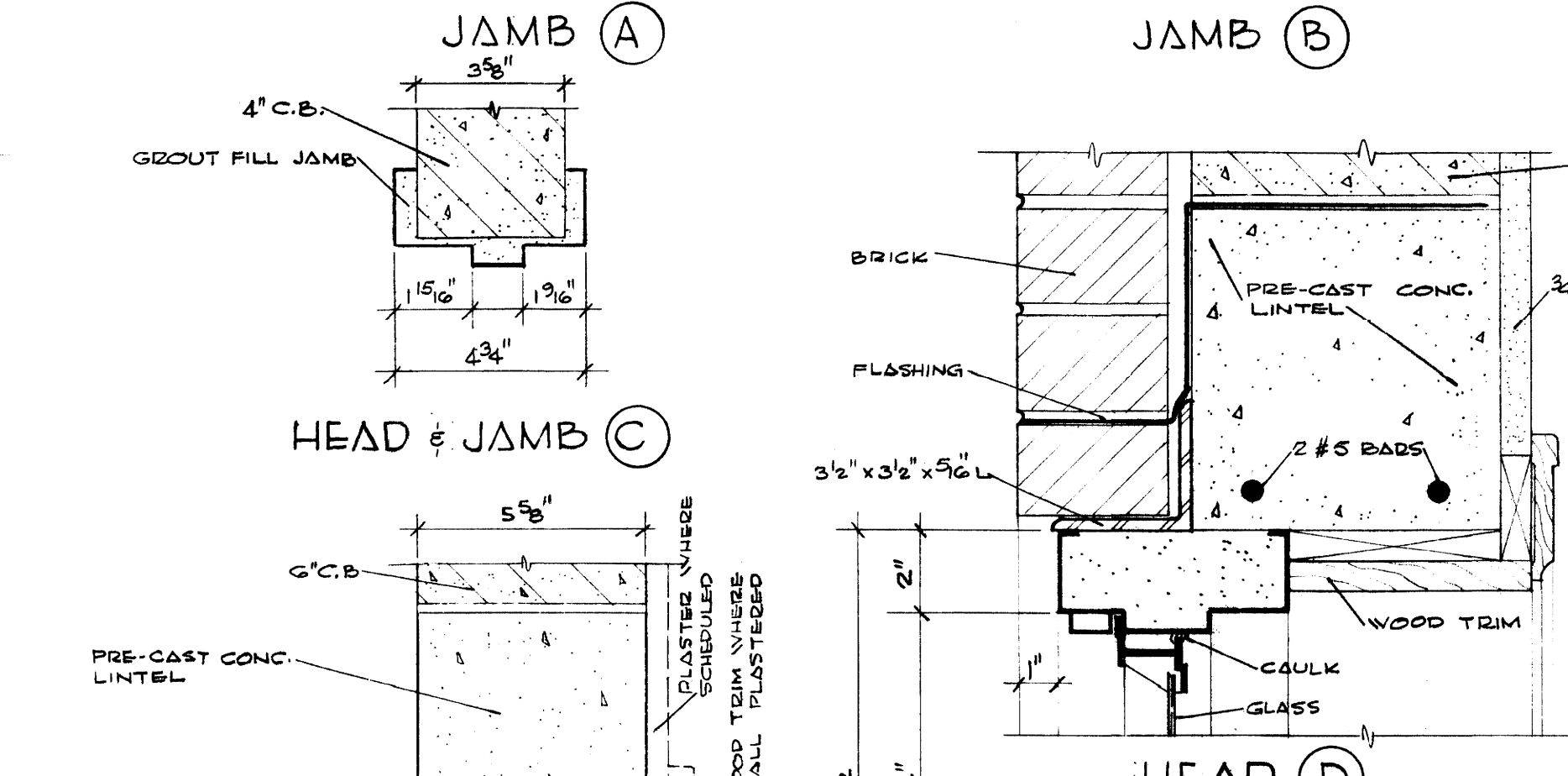
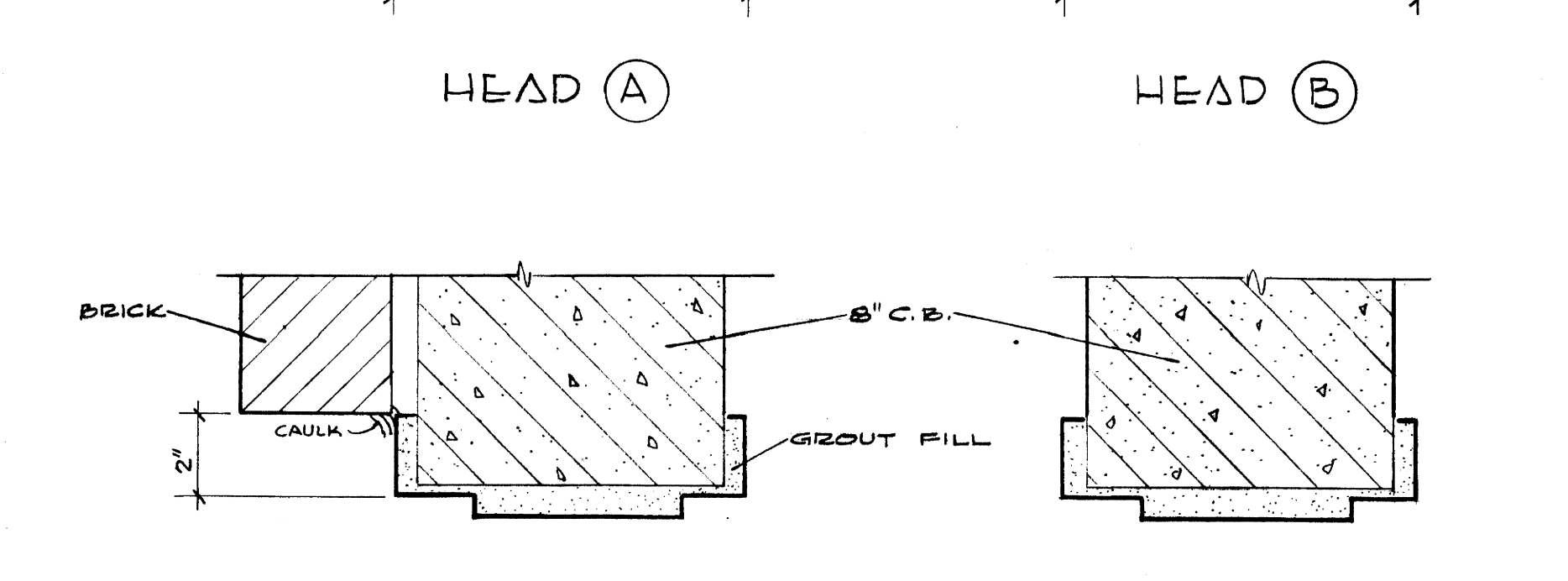
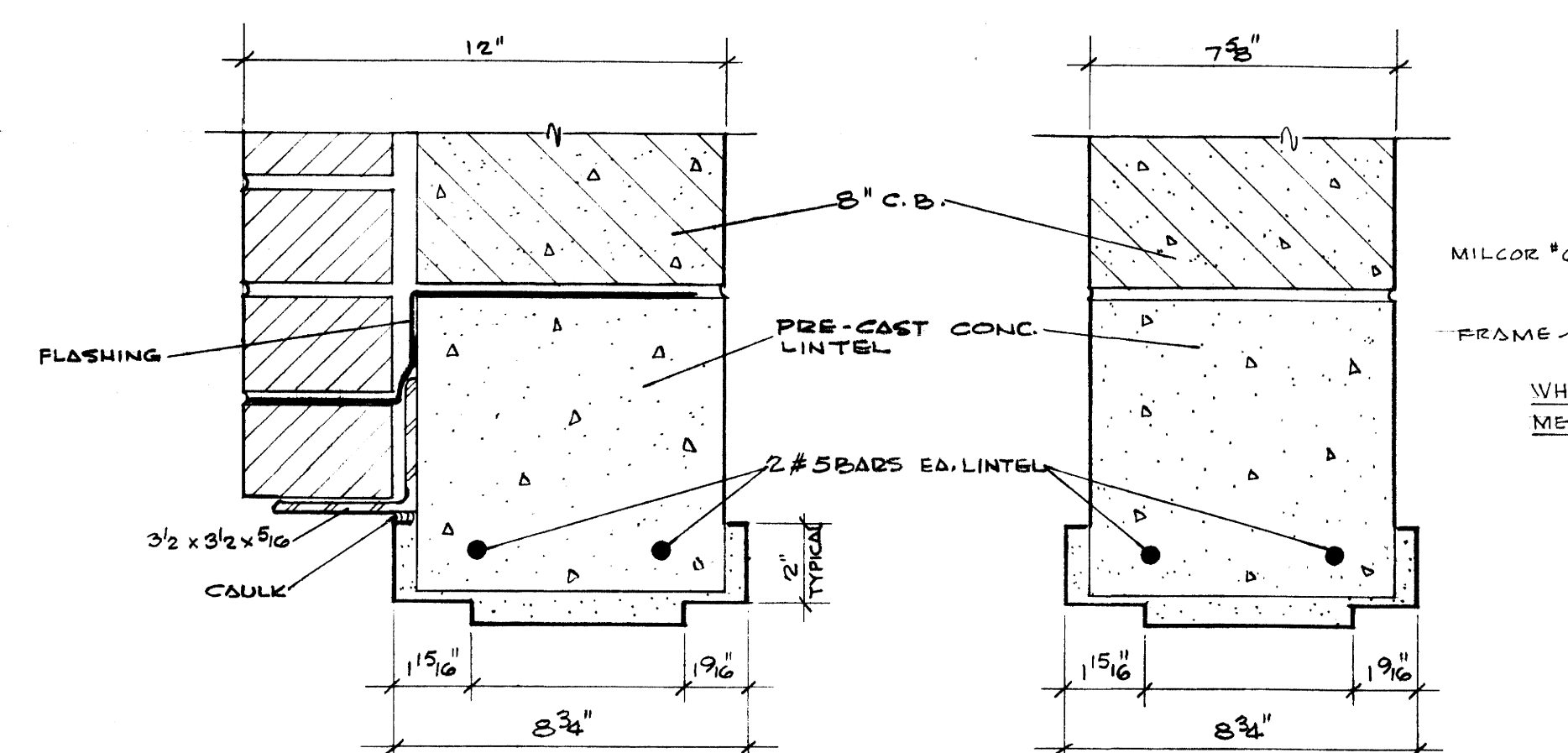
TRANSVERSE SECTIONS - DETAILS			
SIGMA NU FRATERNITY HOUSE			
UNIVERSITY OF KENTUCKY			
LEXINGTON		KENTUCKY	
DRAWN BY	ARCHITECTURAL	DATE	5-2-63
TRACED BY	GILIG • CHRISMAN & MILLER	SCALE	AS SHOWN
CHECKED BY	N.C.	SPEC. NO.	
REVISIONS	COMMONWEALTH OF KENTUCKY	DRAWING NO.	A9
	DEPARTMENT OF FINANCE		
	ENGINEERING STAFF		
	FRANKFORT		
APPROVED BY	<i>Hess K. Kourouglis</i>	DATE	5-2-63
	AGENCY HEAD		
APPROVED BY	<i>Keith A. Miller</i>	DATE	5-24-63
	CHIEF OF STAFF		



ENTRANCE AND FIREPLACE DETAILS			
SIGMA NU FRATERNITY HOUSE			
UNIVERSITY OF KENTUCKY			
DRAWN BY		DATE	
A.D. ARCHITECTURAL		5-2-63	
TRACED BY		SCALE	
GILLIG • CHRISMAN & MILLER		AS SHOWN	
CHECKED BY		SPEC. NO.	
N.C.			
REVISIONS		DRAWING NO.	
COMMONWEALTH OF KENTUCKY		A11	
DEPARTMENT OF FINANCE			
ENGINEERING STAFF			
FRANKFORT KENTUCKY			
APPROVED BY		DATE	
<i>Ed R. K...</i>		5-3-63	
AGENCY HEAD			
APPROVED BY		DATE	
<i>Carl A...</i>		5-24-63	
CHIEF OF STAFF			

DOOR AND FRAME SCHEDULE

FLOOR	MARK	OPENING SIZE	DOOR THICKS	FRAME MATL	TYPE	GLAZING	REMARKS	HARDWARE GROUP #	
	01	3'-0" x 7'-0"	1 3/4"	WD.	4	90° MET	G	5 1/2"	B LABEL
	02	3'-4" x 7'-0"	"	"	4	90° "	G	5 1/2"	B LABEL
	03	3'-0" x 7'-0"	"	"	4	90° "	G	5 1/2"	B LABEL
	101	2'-6" x 6'-8" (PR)	1 3/4"	WD.	2	90° WD.	*	*	* SEE DETAILS SH.
	102	3'-4" x 6'-8"	C.O.	-	-	MET	E	6 3/4"	* CASSED OPENING
	103	3'-0" x 6'-8"	1 3/4"	WD.	4	"	B	8 3/4"	B LABEL
	104	3'-0" x 6'-8"	"	"	4	"	B	8 3/4"	B LABEL
	105	3'-0" x 6'-8"	"	"	4	"	B	8 3/4"	B LABEL
	106	2'-6" x 6'-8" (PR)	"	"	1	"	D	5 1/2"	PROVIDE SCREWBED DOORS
	107	2'-6" x 6'-8" (PR)	"	"	1	"	D	5 1/2"	"
	108	2'-6" x 6'-8"	"	"	4	"	E	6 3/4"	"
	109	2'-6" x 6'-8" (PR)	"	"	7	90°	E	6 3/4"	4" PVG * JAMBS JOINED TO MAKE 4" MULLION
	110	3'-0" x 6'-8"	"	"	7	90°	B	8 3/4"	4" PVG B LABEL
	111	3'-0" x 6'-8"	"	"	5	"	C	4 3/4"	"
	112	2'-4" x 6'-8"	"	"	4	"	C	4 3/4"	"
	113	2'-4" x 6'-8"	"	"	6	"	C	4 3/4"	"
	114	3'-0" x 6'-8"	"	"	4	90°	E	6 3/4"	"
	115	2'-6" x 6'-8"	"	"	4	90°	E	6 3/4"	UNDERCUT 1"
	116	2'-6" x 6'-8"	"	"	4	"	B	8 3/4"	"
	117	5'-0" x 6'-0"	* MET	A	"	F	4 3/4"	"	* CASSED OPNG W/SLIDING DOORS
	118	2'-6" x 6'-8"	WD.	4	"	E	6 3/4"	"	"
	119	6'-0" x 6'-0"	* MET	A	"	F	4 3/4"	"	* CASSED OPNG W/SLIDING DOORS
	120	2'-4" x 6'-8"	1 3/4"	WD.	4	"	E	6 3/4"	"
	121	2'-4" x 6'-8"	"	"	4	90°	B	8 3/4"	B LABEL
	122	3'-0" x 6'-8"	"	"	7	90°	B	8 3/4"	4" PVG B LABEL
	123	3'-4" x 6'-8"	"	"	3	90°	A	8 3/4"	4" PVG
	124	3'-0" x 6'-8"	"	"	7	90°	B	8 3/4"	4" PVG
	125	3'-4" x 6'-8"	"	"	3	90°	A	8 3/4"	4" PVG
	126	1'-6" x 6'-8"	1 3/4"	WD.	1	"	B	11 1/2"	* ACCORDIAN DOORS, SEE DET. SH. 13
	201	2'-6" x 6'-8" (PR)	1 3/4"	WD.	5	90° MET	C	4 3/4"	* JAMBS JOINED TO MAKE 4" MULLION
	202	2'-4" x 6'-8"	"	"	5	"	C	4 3/4"	"
	203	2'-6" x 6'-8"	"	"	4	"	C	4 3/4"	"
	204	2'-6" x 6'-8"	"	"	4	"	C	4 3/4"	"
	205	2'-6" x 6'-8"	"	"	4	"	C	4 3/4"	"
	206	2'-6" x 6'-8"	"	"	4	"	C	4 3/4"	"
	207	2'-6" x 6'-8"	"	"	4	"	C	4 3/4"	"
	208	2'-6" x 6'-8"	"	"	4	"	C	4 3/4"	"
	209	2'-4" x 6'-8"	"	"	6	"	C	4 3/4"	"
	210	3'-0" x 6'-8"	"	"	7	90°	B	8 3/4"	4" PVG B LABEL
	211	2'-6" x 6'-8"	"	"	4	"	C	4 3/4"	"
	212	2'-6" x 6'-8"	"	"	4	"	C	4 3/4"	"
	213	2'-6" x 6'-8"	"	"	6	"	C	4 3/4"	"
	214	2'-6" x 6'-8"	"	"	4	"	B	8 3/4"	"
	215	2'-6" x 6'-8"	"	"	7	"	B	8 3/4"	4" PVG
	216	2'-6" x 6'-8"	"	"	4	"	B	8 3/4"	"
	217	2'-6" x 6'-8"	"	"	5	"	B	8 3/4"	"
	218	2'-6" x 6'-8"	"	"	4	"	C	4 3/4"	"
	219	2'-6" x 6'-8"	"	"	4	"	C	4 3/4"	"
	220	3'-0" x 6'-8"	"	"	7	90°	B	8 3/4"	4" PVG B LABEL



DOOR & FRAME SCHED. & DETAILS, WINDOW DET., DOOR & WDV TYPES

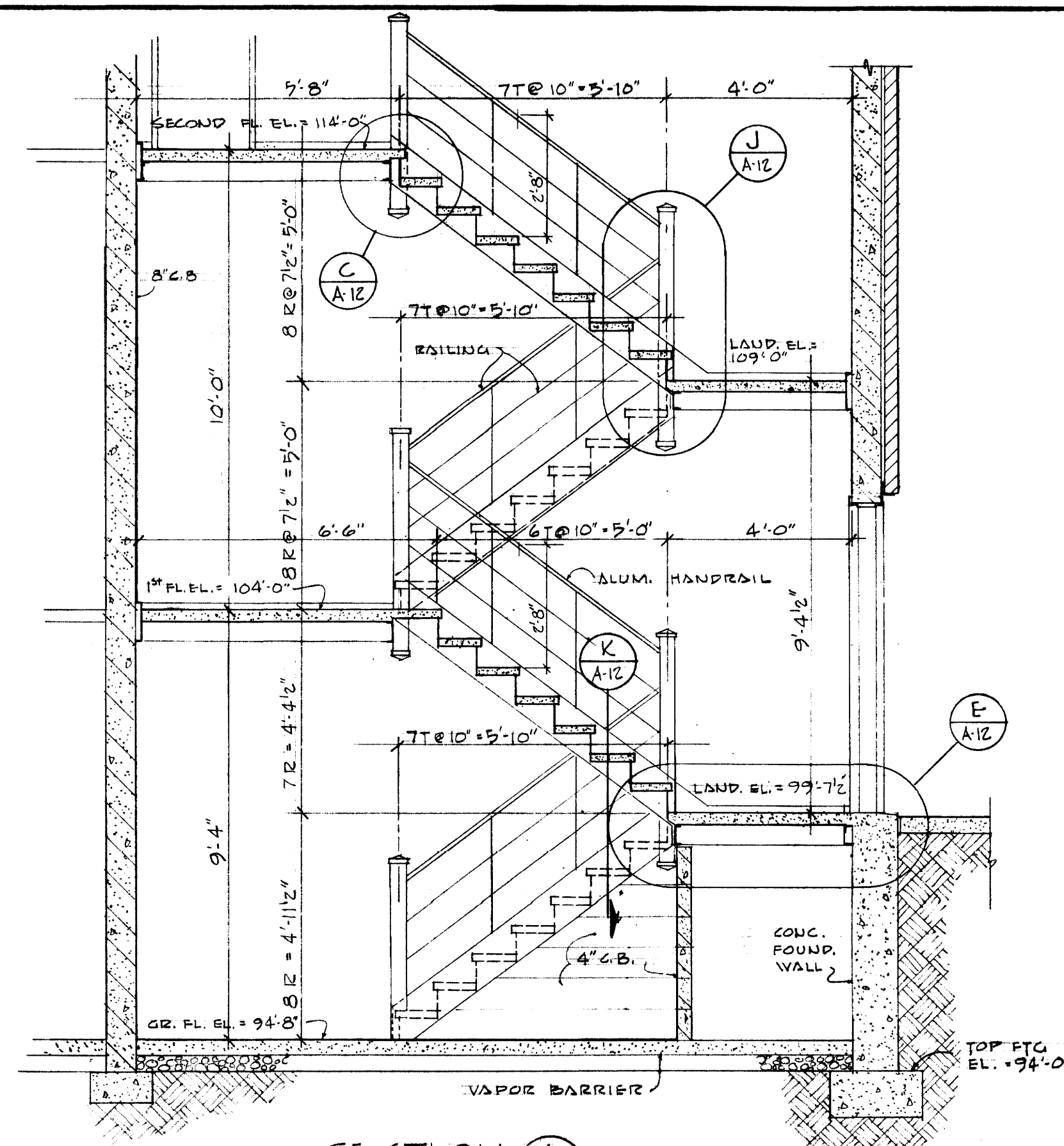
**SIGMA NU FRATERNITY, HOUSE**  
UNIVERSITY OF KENTUCKY  
LEXINGTON, KENTUCKY

DRAWN BY: L.T. A.H.  
CHECKED BY: GILLIG • CHRISMAN & MILLER  
ARCHITECTS ASSOCIATED  
180 WALNUT STREET  
LEXINGTON, KENTUCKY

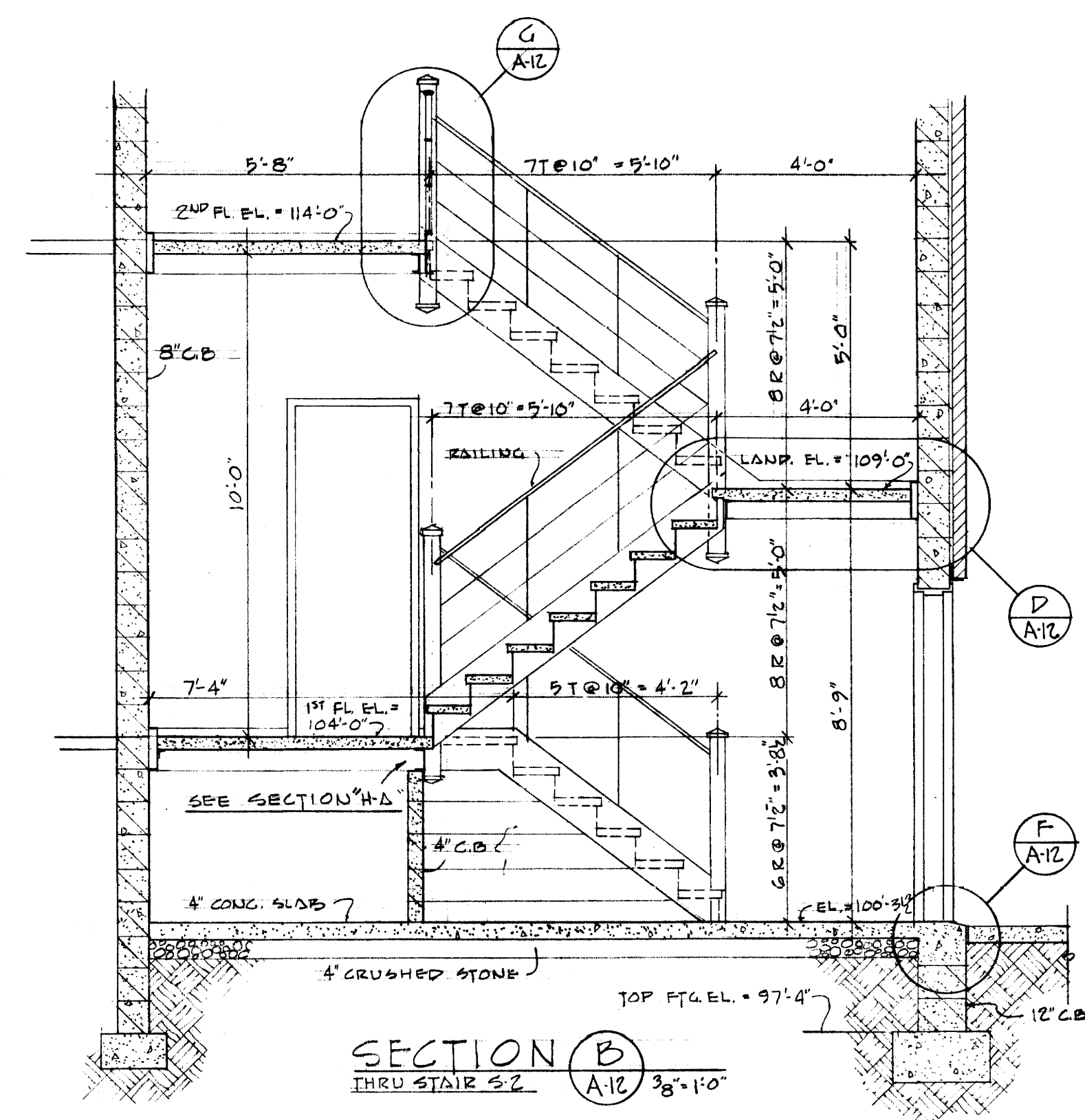
REVISIONS: COMMONWEALTH OF KENTUCKY  
DEPARTMENT OF FINANCE  
ENGINEERING STAFF  
FRANKFORT, KENTUCKY

APPROVED BY: *Keith Ashby*  
DATE: 5-24-63

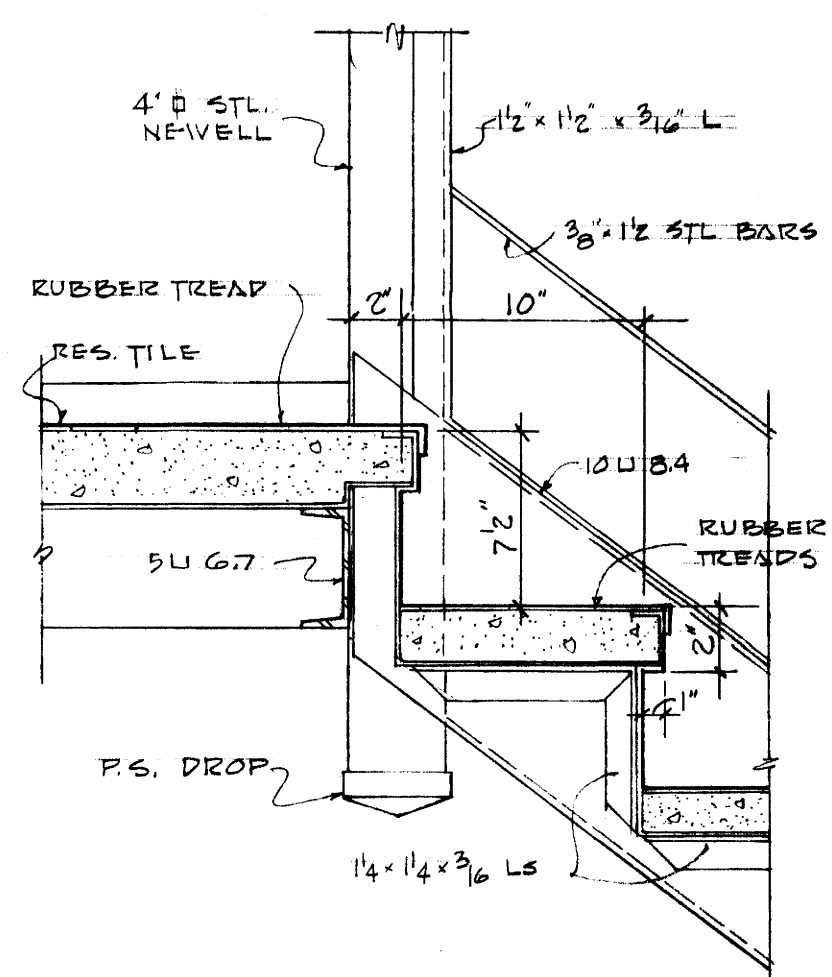
DATE: 5-2-63  
SCALE: AS SHOWN  
SPEC. NO.:  
DRAWING NO.: A11



SECTION A  
THRU STAIR S-1  
A-12 3/8"=1'-0"

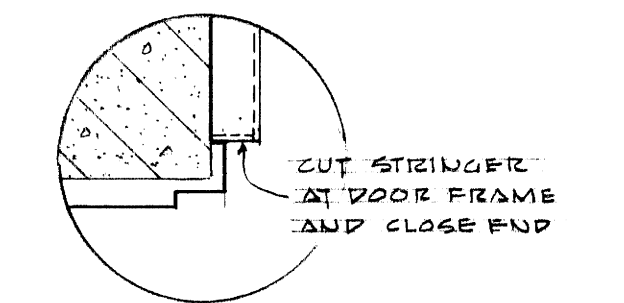


SECTION B  
THRU STAIR S-2  
B-12 3/8"=1'-0"

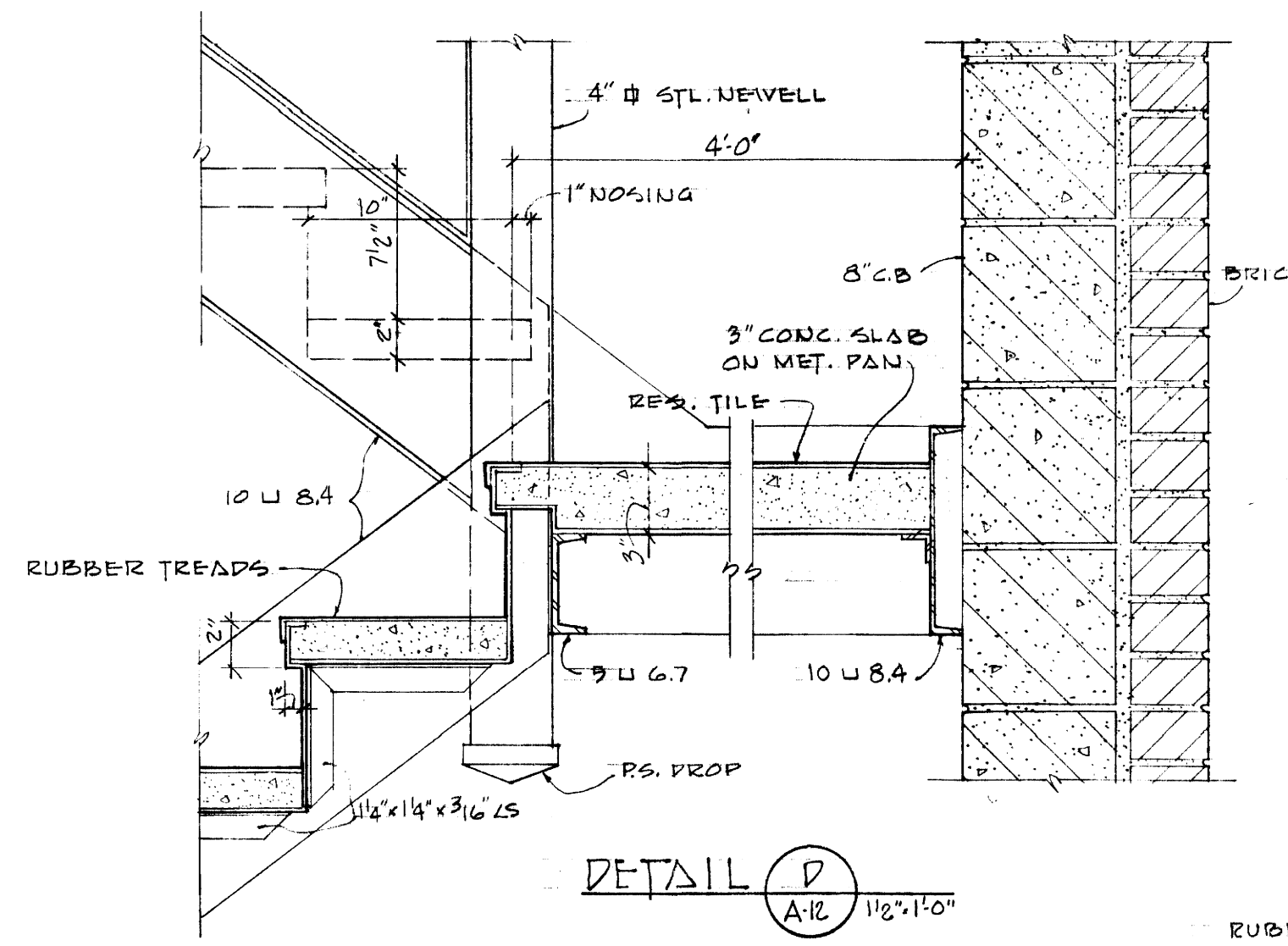


DETAIL C  
A-12 1/2"=1'-0"

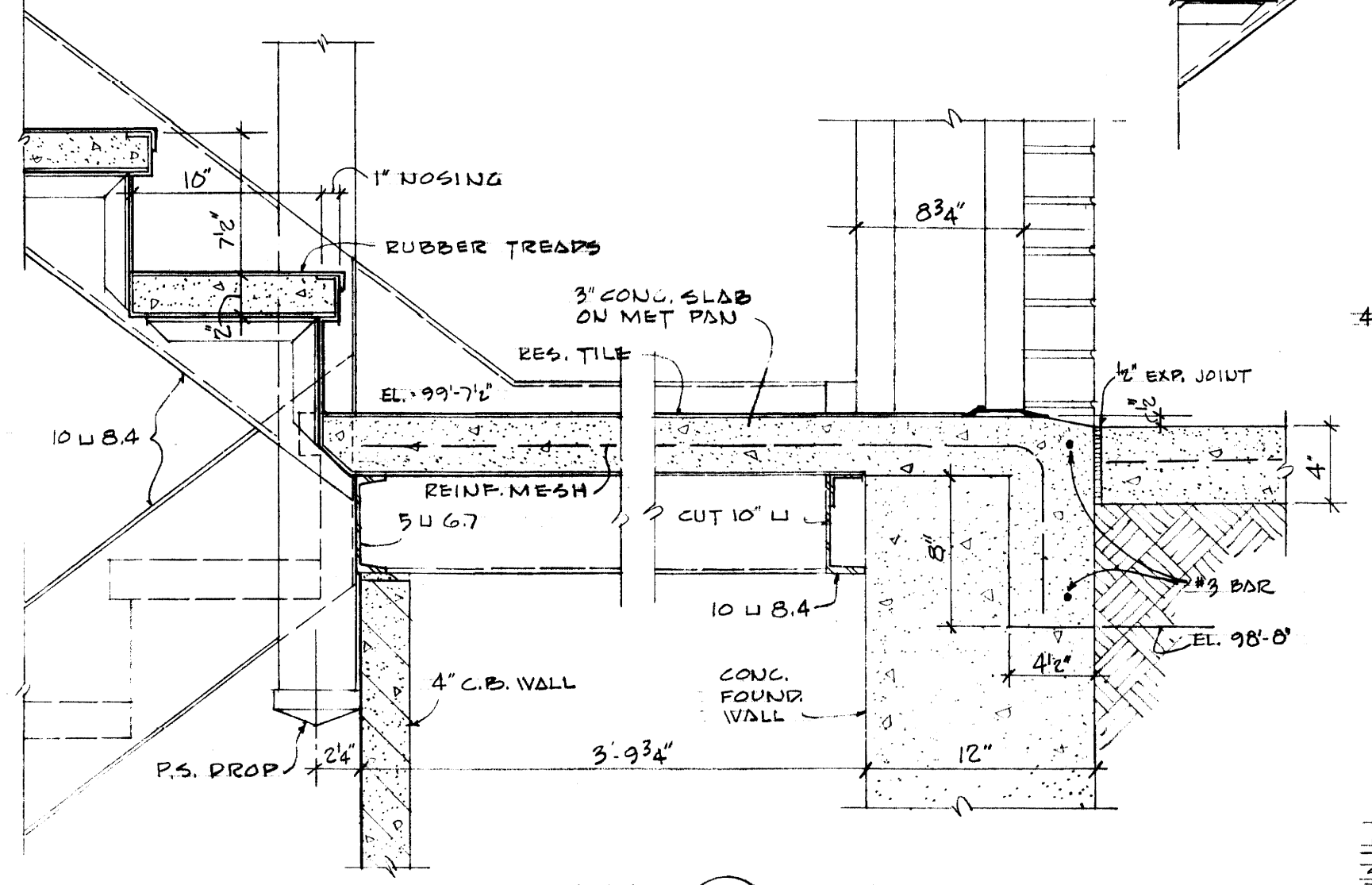
DETAIL - HANDRAIL BRACKET  
1/2 SCALE



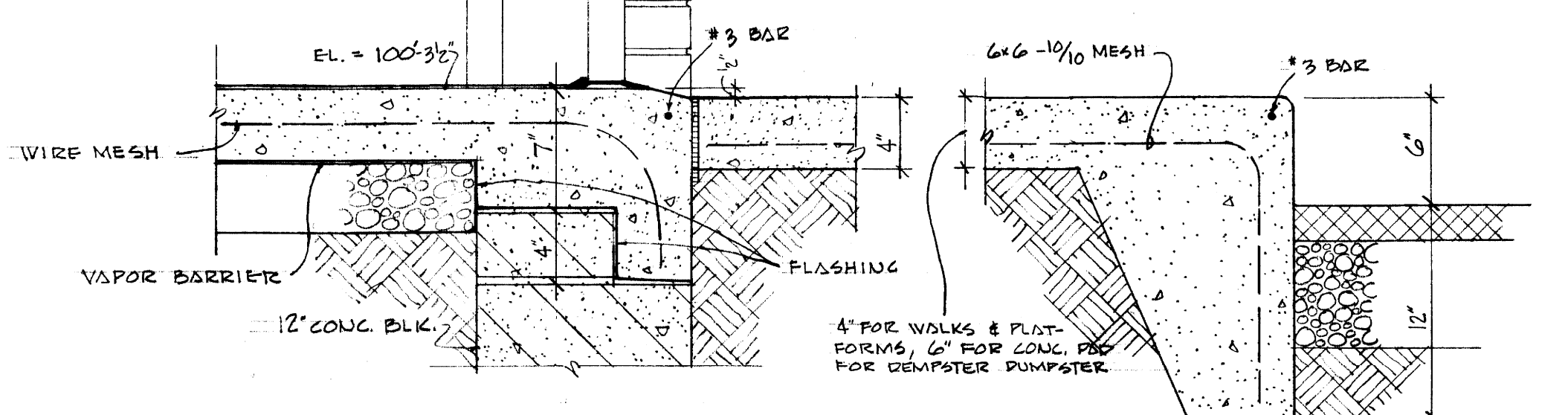
DETAIL - STAIR STRINGER  
AT DOOR FRAME



DETAIL D  
A-12 1/2"=1'-0"

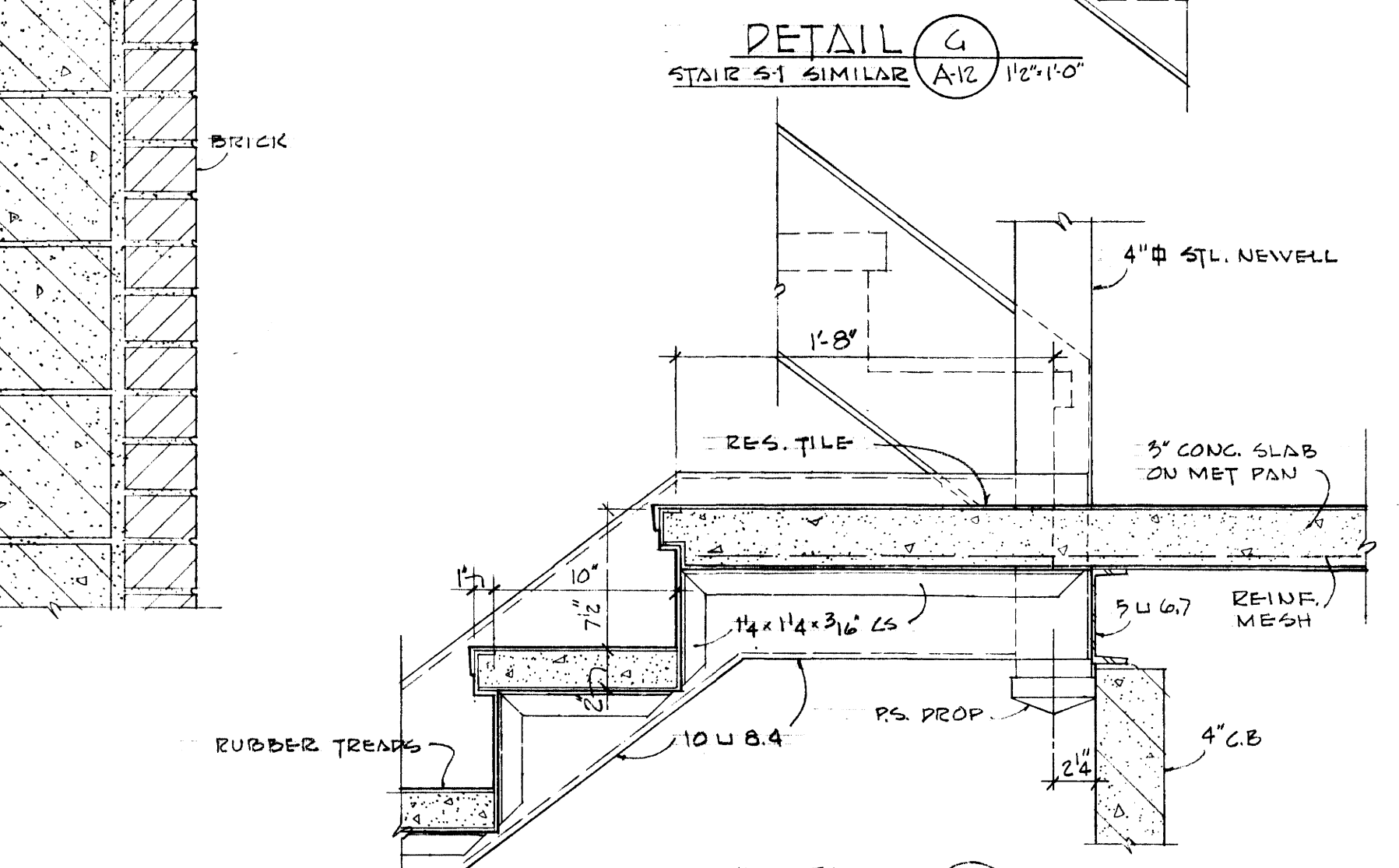


DETAIL E  
A-12 1/2"=1'-0"



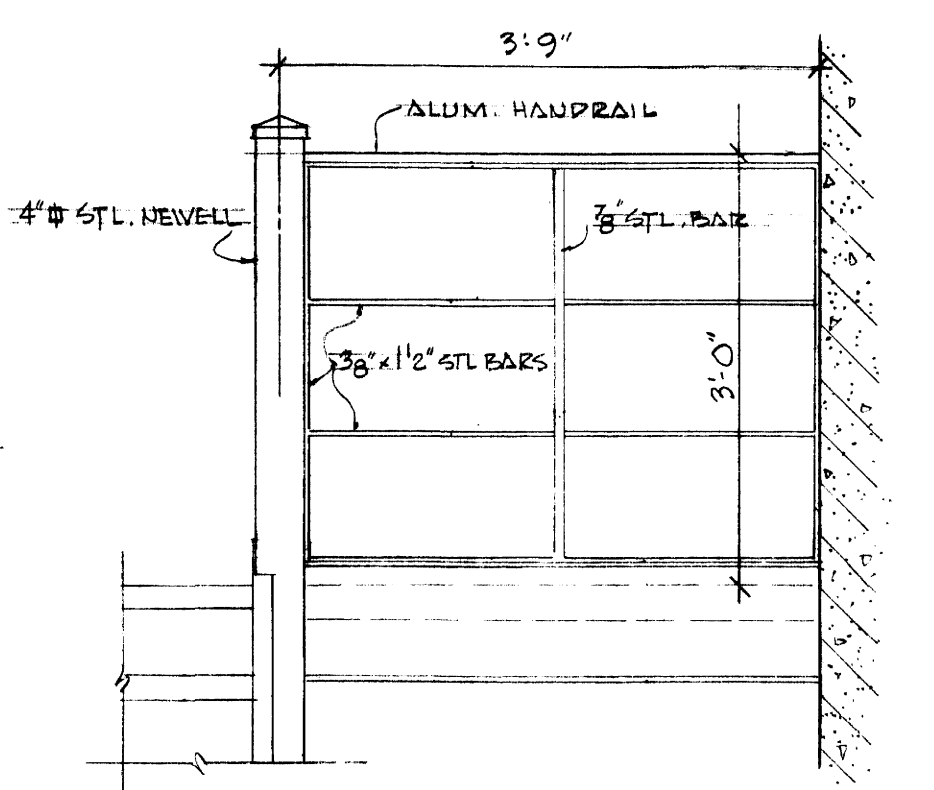
DETAIL F  
A-12 1/2"=1'-0"

DETAIL L  
A-12 1/2"=1'-0"

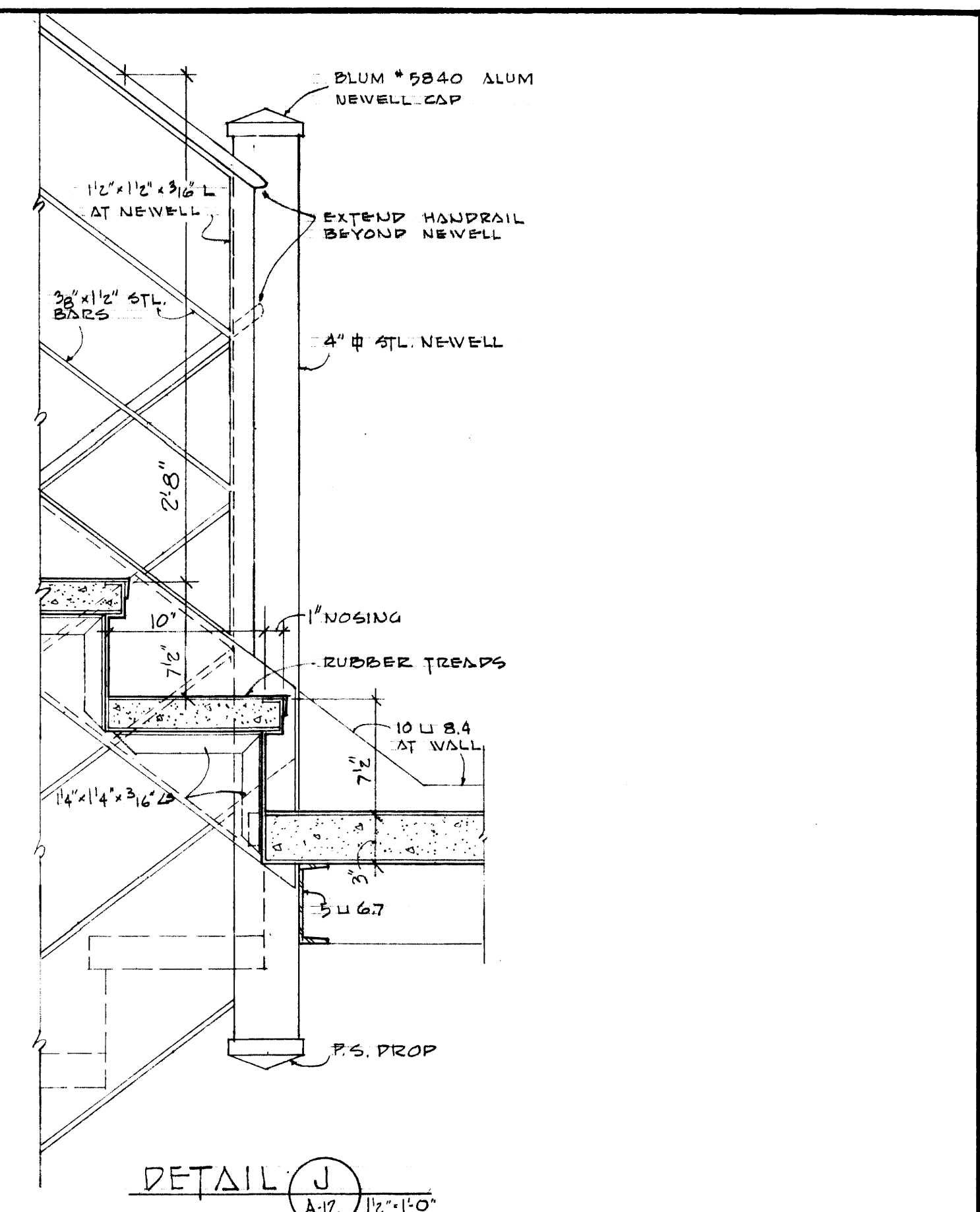


DETAIL G  
STAIR S-1 SIMILAR  
A-12 1/2"=1'-0"

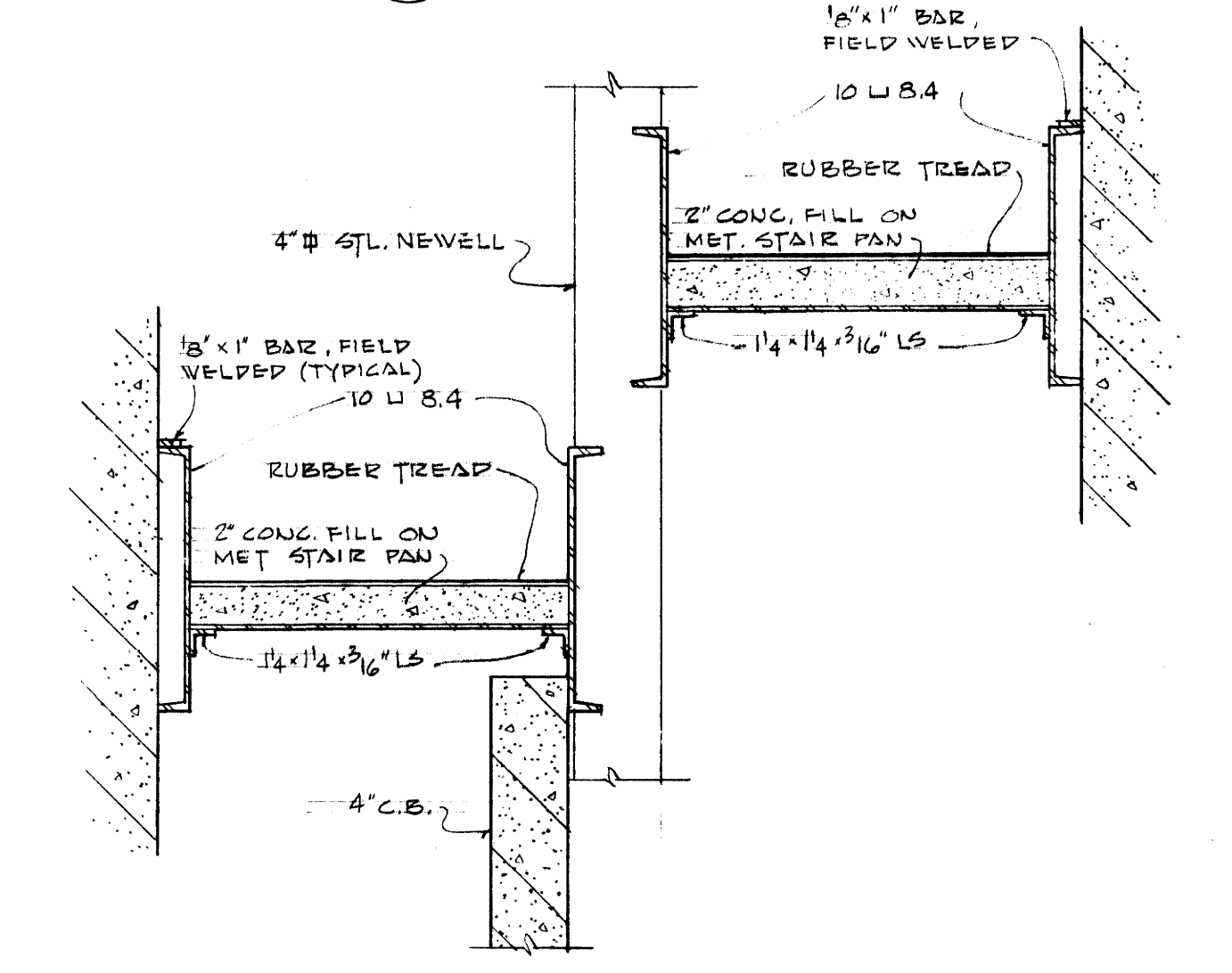
SECTION H  
A-12 1/2"=1'-0"



2ND FL. LANDING ELEVATION - S-1  
STAIR S-2 SIMILAR OPPOSITE HAND  
3/4"=1'-0"

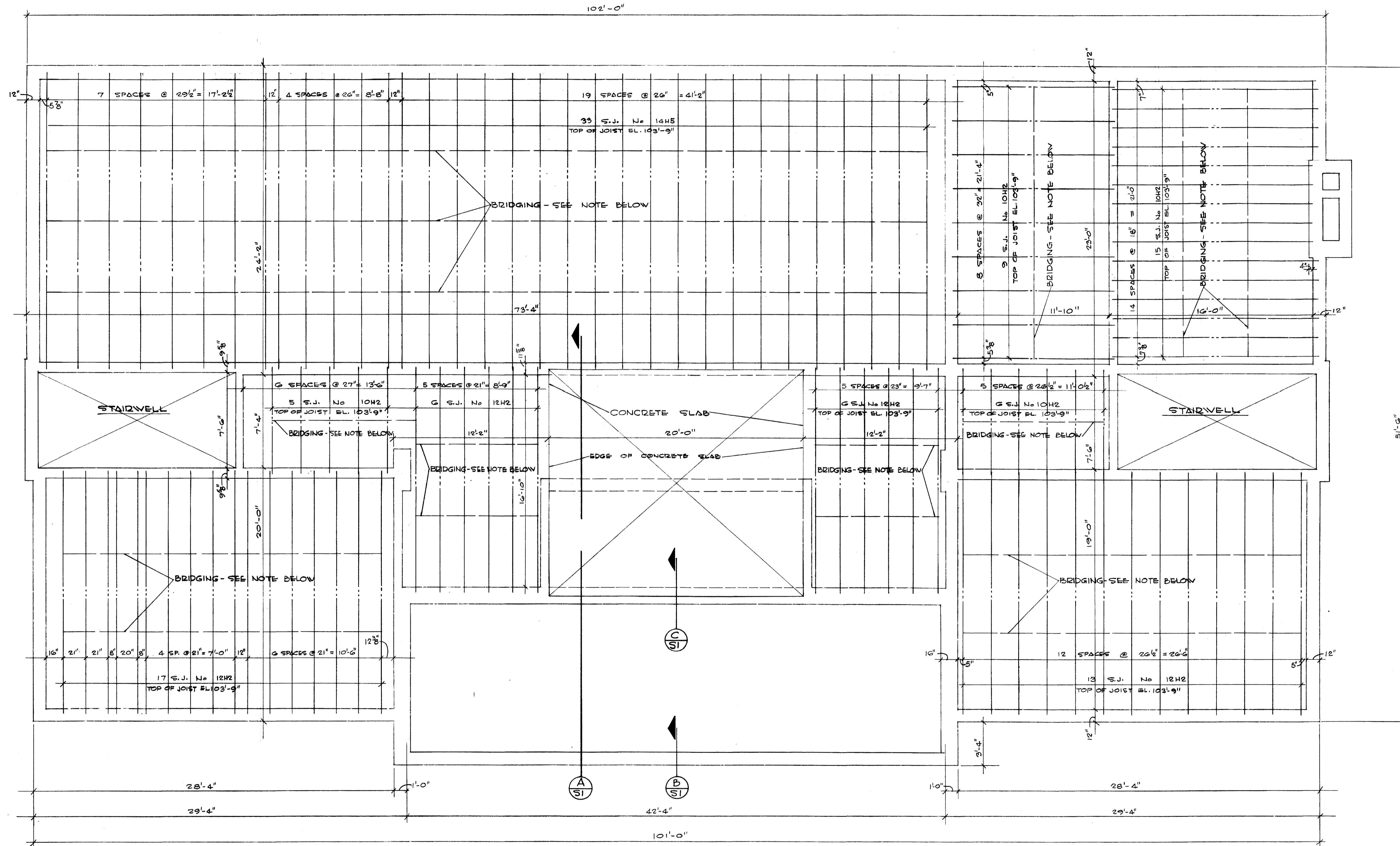


DETAIL J  
A-12 1/2"=1'-0"



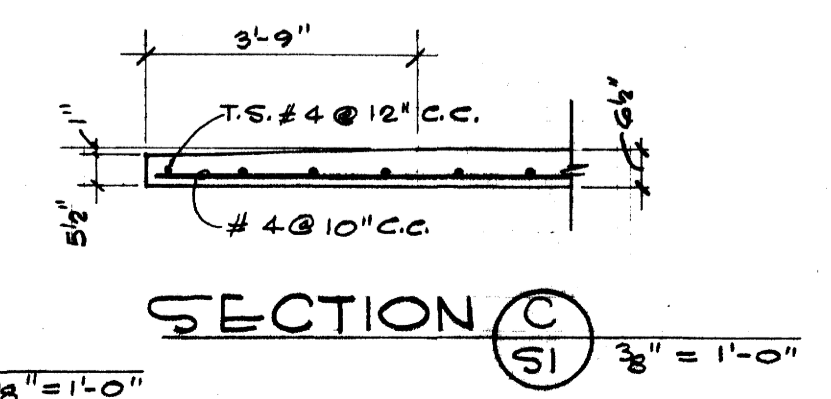
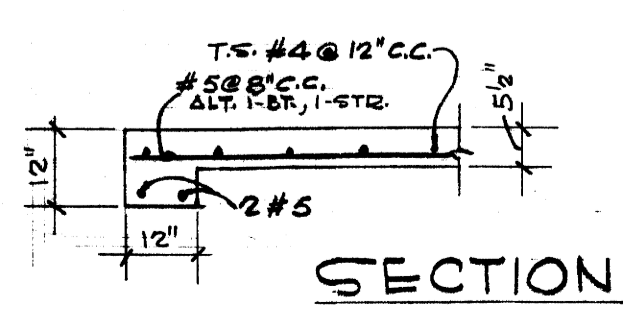
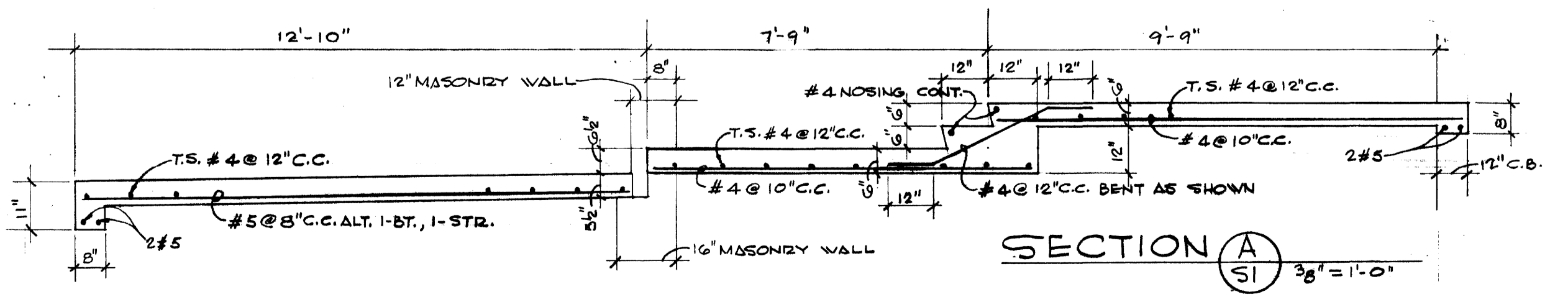
SECTION K  
STAIR S-2 SIMILAR  
A-12 1/2"=1'-0"

STAIR DETAILS			
SIGMA NU FRATERNITY HOUSE			
UNIVERSITY OF KENTUCKY			
LEXINGTON KENTUCKY			
DESIGNED BY L.T. & A.W.	ARCHITECTURAL	DATE	5-2-63
CHECKED BY N.C.	GALLIG • CHRISMAN & MILLER ARCHITECTS ASSOCIATED 180 WALNUT STREET LEXINGTON, KENTUCKY	SCALE	AS SHOWN SPEC. NO.
REVISIONS	COMMONWEALTH OF KENTUCKY DEPARTMENT OF FINANCE ENGINEERING STAFF FRANKFORT KENTUCKY	DRAWING NO.	A-12
APPROVED BY <i>George R. Ray</i>	GEORGE R. RAY ASSOCIATE REGISTERED ARCHITECT	DATE	5-3-63
APPROVED BY <i>Keith Ashley</i>	KEITH ASHLEY CHIEF OF STAFF	DATE	5-24-63



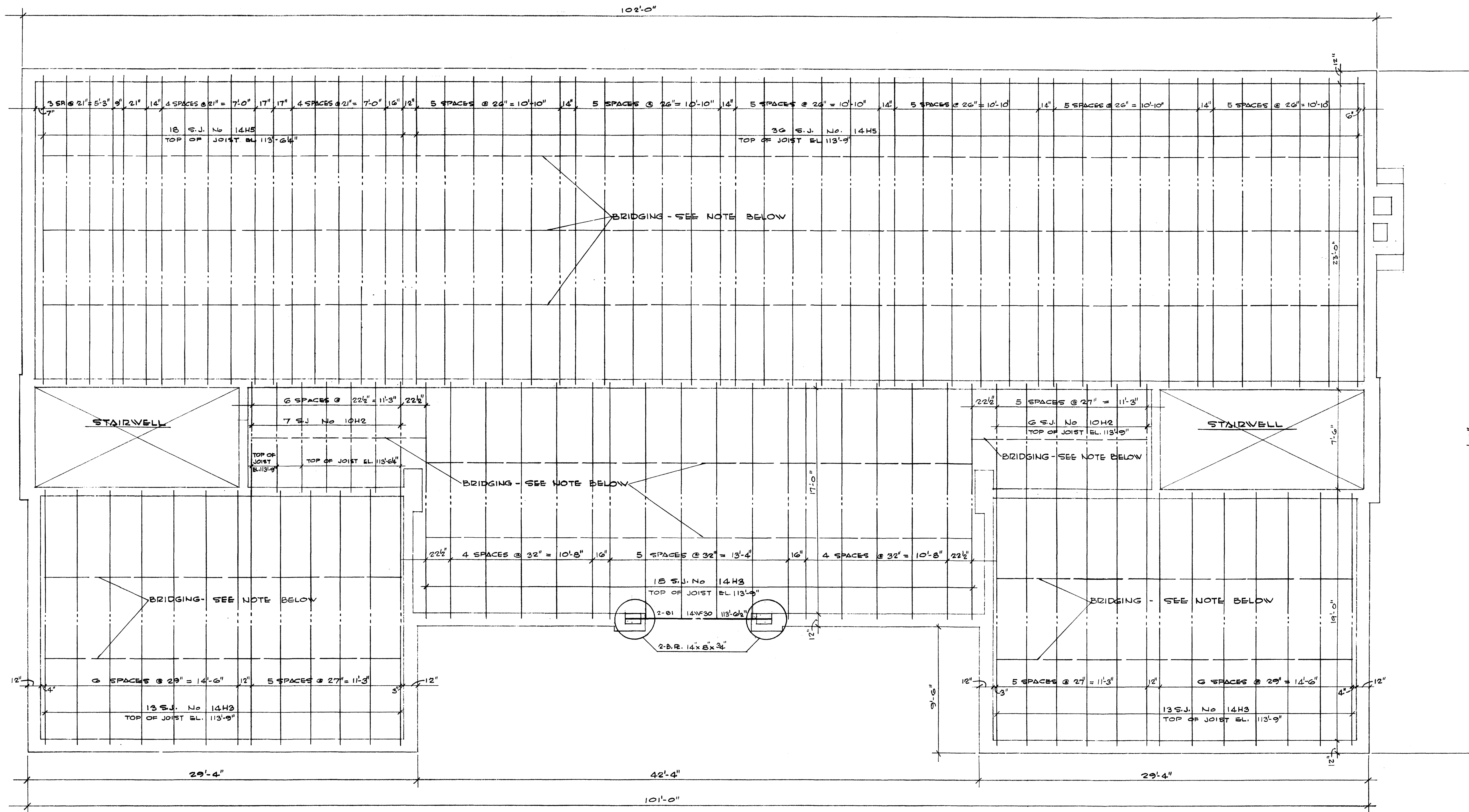
- NOTE:
1. ALL BRIDGING FOR JOISTS SHALL BE  $\frac{3}{8}$ "  $\phi$  RODS SPACED AS SHOWN. EACH LINE OF BRIDGING CONSISTS OF 2 RODS, 1 AT BOTTOM OF TOP CHORD AND 1 AT TOP OF BOTTOM CHORD WELDED TO JOISTS.
  2. ALL JOIST SHALL HAVE MINIMUM BEARING OF 6" ON MASONRY AND TO  $\frac{1}{2}$ " ON STEEL.
  3. WHEREVER JOISTS MEET OVER SUPPORT WALL OR BEAM BUTT ENDS AND WELD TOGETHER.

FIRST FLOOR FRAMING  $\frac{1}{4}" = 1'-0"$



FIRST FLOOR FRAMING & CONC. SLAB SECT.			
		<b>SIGMA NU FRATERNITY HOUSE</b> <b>UNIVERSITY OF KENTUCKY</b> <b>LEXINGTON KENTUCKY</b>	
		DRAWN BY L.T.	DATE 5-2-63
		TRACED BY <b>GILLIG • CHRISMAN &amp; MILLER</b>	SCALE
		CHECKED BY N.C. & P.E. 180 WALNUT STREET LEXINGTON, KENTUCKY	SPEC. NO.
REVISIONS		<b>COMMONWEALTH OF KENTUCKY</b> DEPARTMENT OF FINANCE ENGINEERING STAFF FRANKFORT KENTUCKY	DRAWING NO. <b>S1</b>
APPROVED BY <i>Lester K. Korman</i> AGENCY HEAD		DATE 5-3-63	APPROVED BY <i>Carl A. Miller</i> CHIEF OF STAFF
APPROVED BY <i>Carl A. Miller</i> CHIEF OF STAFF		DATE 5-24-63	

U-2916



- NOTES:
1. ALL BRIDGING FOR JOISTS SHALL BE 5/8" x 800S SPACED AS SHOWN. EACH LINE OF BRIDGING CONSIST OF 2 RODS 1 AT BOTTOM OF TOP CHORD AND 1 AT TOP OF BOTTOM CHORD WELDED TO JOISTS.
  2. ALL JOIST SHALL HAVE MINIMUM BEARING OF 5" ON MASONRY AND TO C ON STEEL BEAMS
  3. WHEREVER JOISTS MEET OVER SUPPORT WALL OR BEAM BUTT ENDS AND WELD TOGETHER

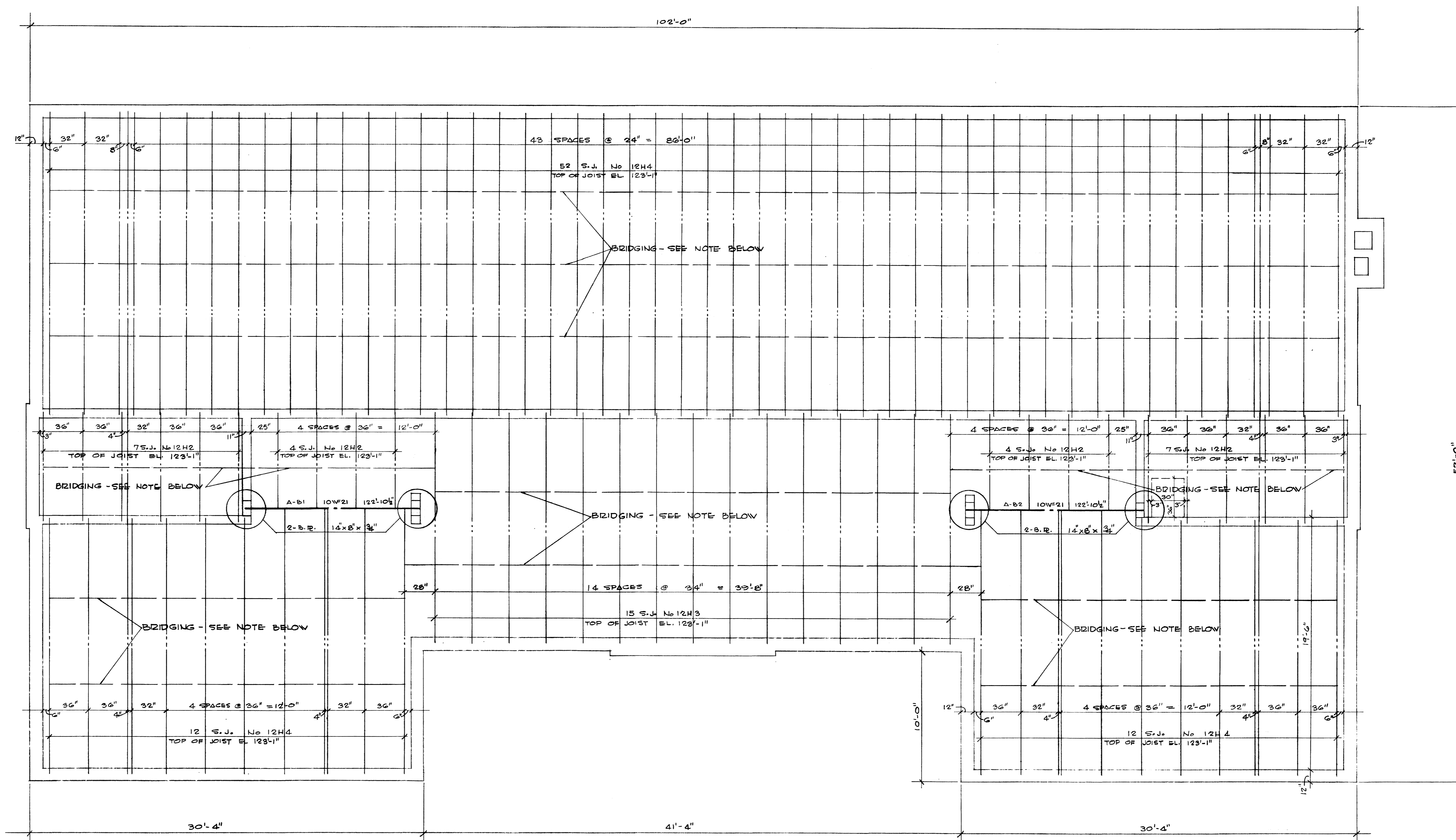
SECOND FLOOR FRAMING

1/4" = 1' - 0"

SECOND FLOOR FRAMING			
SIGMA NU FRATERNITY HOUSE			
UNIVERSITY OF KENTUCKY			
LEXINGTON KENTUCKY			
	DRAWN BY	L.T. STRUCTURAL	DATE
	TRACED BY	GILLIG • CHRISMAN & MILLER ARCHITECTS ASSOCIATED	5-2-63
	CHECKED BY	N.C. & P.E.	SCALE
	REVISIONS	COMMONWEALTH OF KENTUCKY DEPARTMENT OF FINANCE ENGINEERING STAFF FRANKFORT KENTUCKY	SPEC. NO.
APPROVED BY	Leo Christman	AGENT HEAD	DATE 5-2-63
APPROVED BY	Keith Ashby	CHIEF OF STAFF	DATE 5-24-63

4-2417

5-5-63



- NOTES
1. ALL BRIDGING FOR JOISTS SHALL BE 5/8" Ø RODS SPACED AS SHOWN. EACH LINE OF BRIDGING CONSISTS OF 2 RODS, 1 AT BOTTOM OF TOP CHORD AND 1 AT TOP OF BOTTOM CHORD WELDED TO JOISTS.
  2. ALL JOIST SHALL HAVE MINIMUM BEARING OF 5" ON MASONRY AND TO 6" ON STEEL.
  3. WHEREVER JOISTS MEET OVER SUPPORT WALL OR BEAM BUTT ENDS AND WELD TOGETHER.

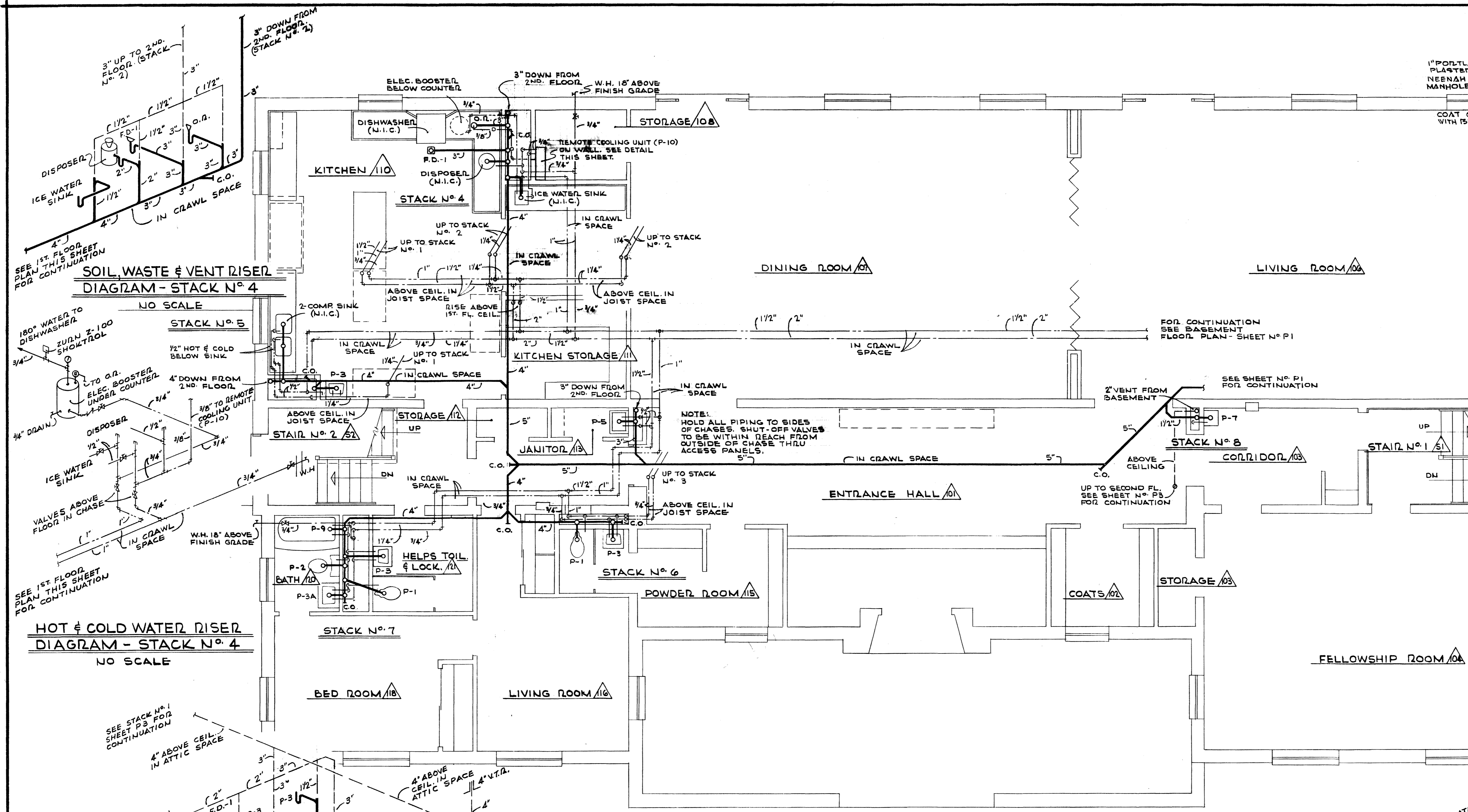
ATTIC FRAMING PLAN

1/4" = 1'-0"

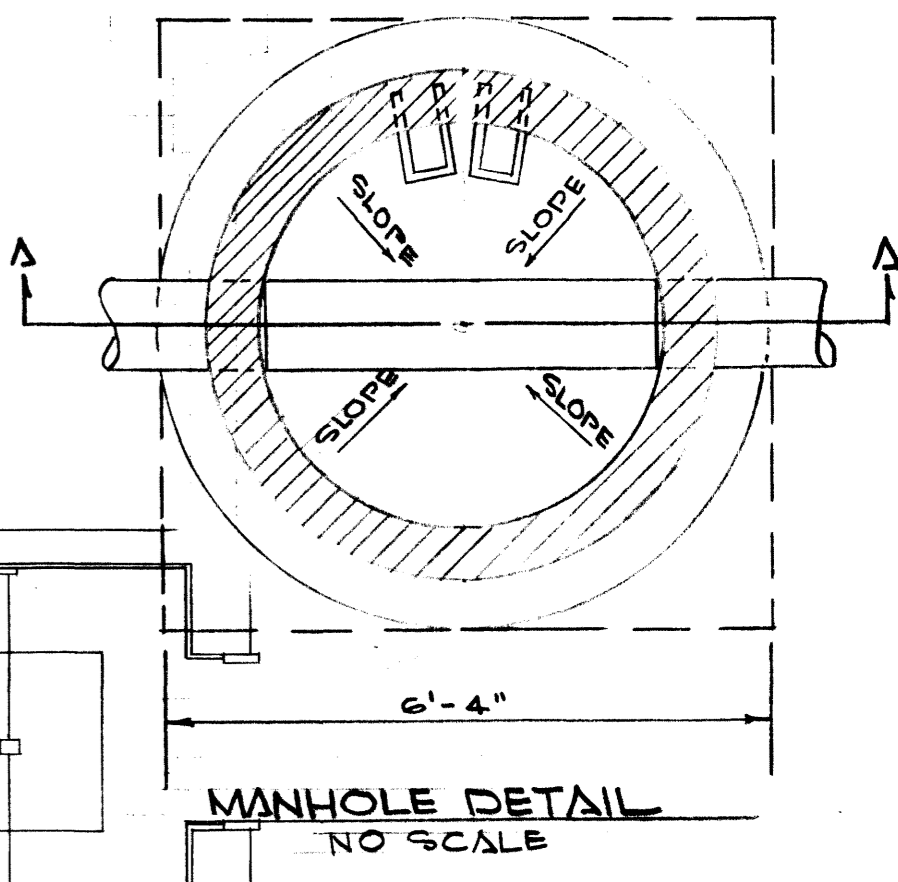
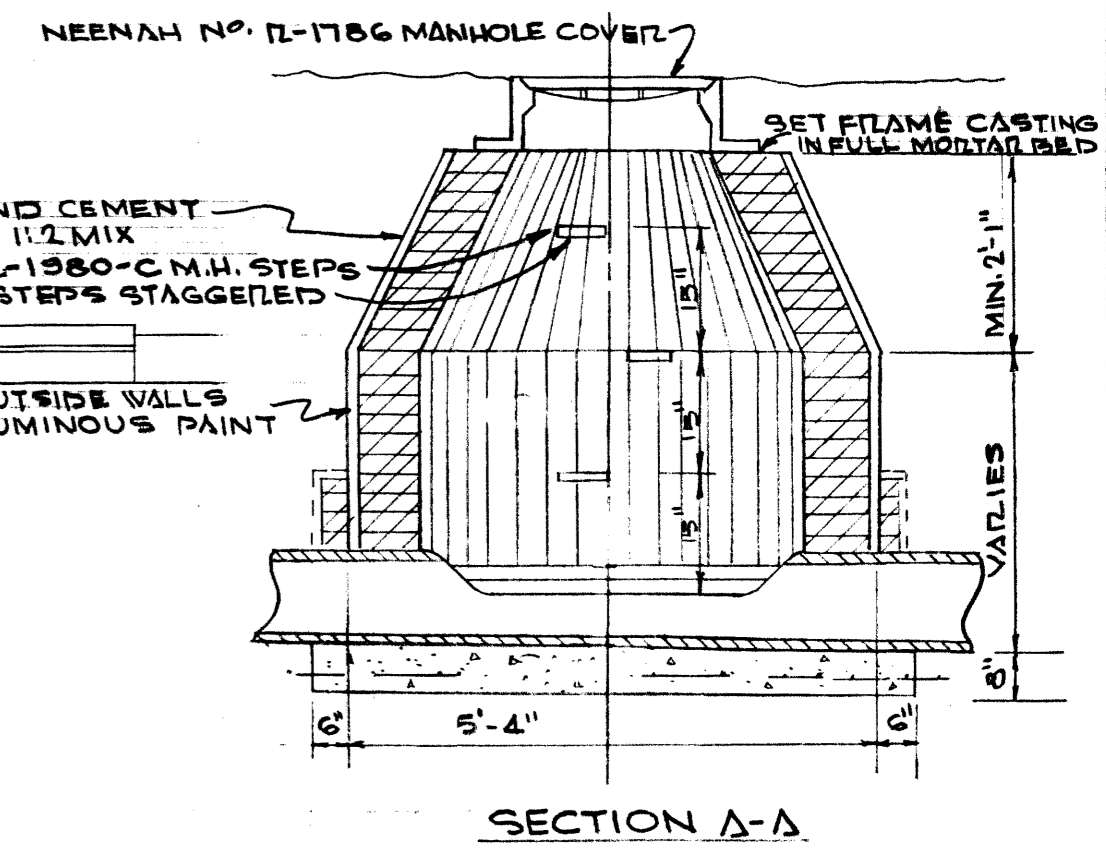
ATTIC FRAMING PLAN		SIGMA NU FRATERNITY HOUSE	
UNIVERSITY OF KENTUCKY		LEXINGTON KENTUCKY	
DRAWN BY	STRUCTURAL	DATE	5-2-63
TRACED BY	GILLIG • CHRISMAN & MILLER	SCALE	
CHECKED BY	ARCHITECTS ASSOCIATED	SPEC. NO.	
N.C. & P.E.	180 WALNUT STREET LEXINGTON, KENTUCKY		
REVISIONS	COMMONWEALTH OF KENTUCKY	DRAWING NO.	33
	DEPARTMENT OF FINANCE		
	ENGINEERING STAFF		
	FRANKFORT KENTUCKY		
APPROVED BY	<i>George H. Evans</i>	DATE	5-3-63
	AGENCY HEAD		
APPROVED BY	<i>Keith A. H. G.</i>	DATE	5-24-63
	CHIEF OF STAFF		



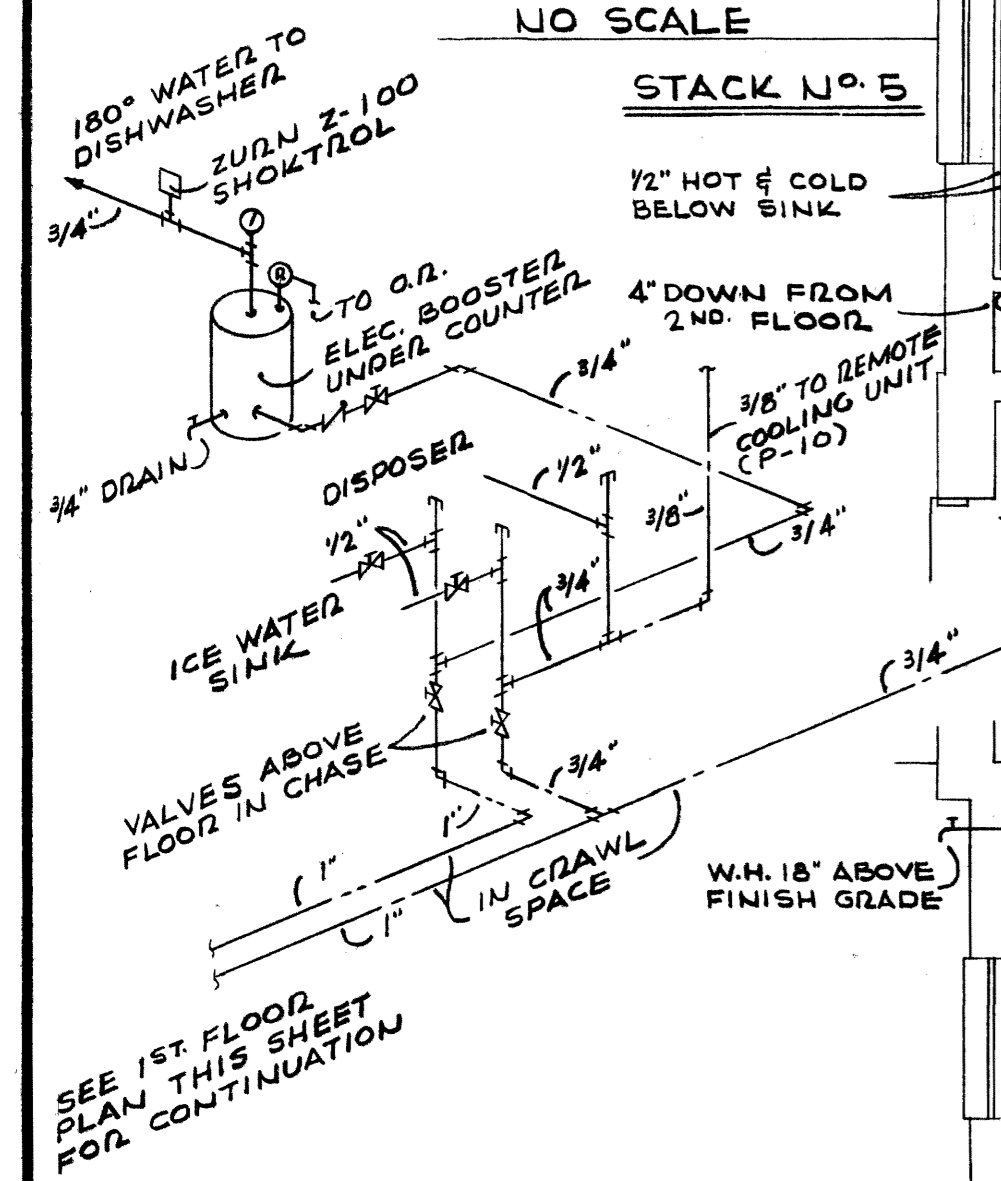




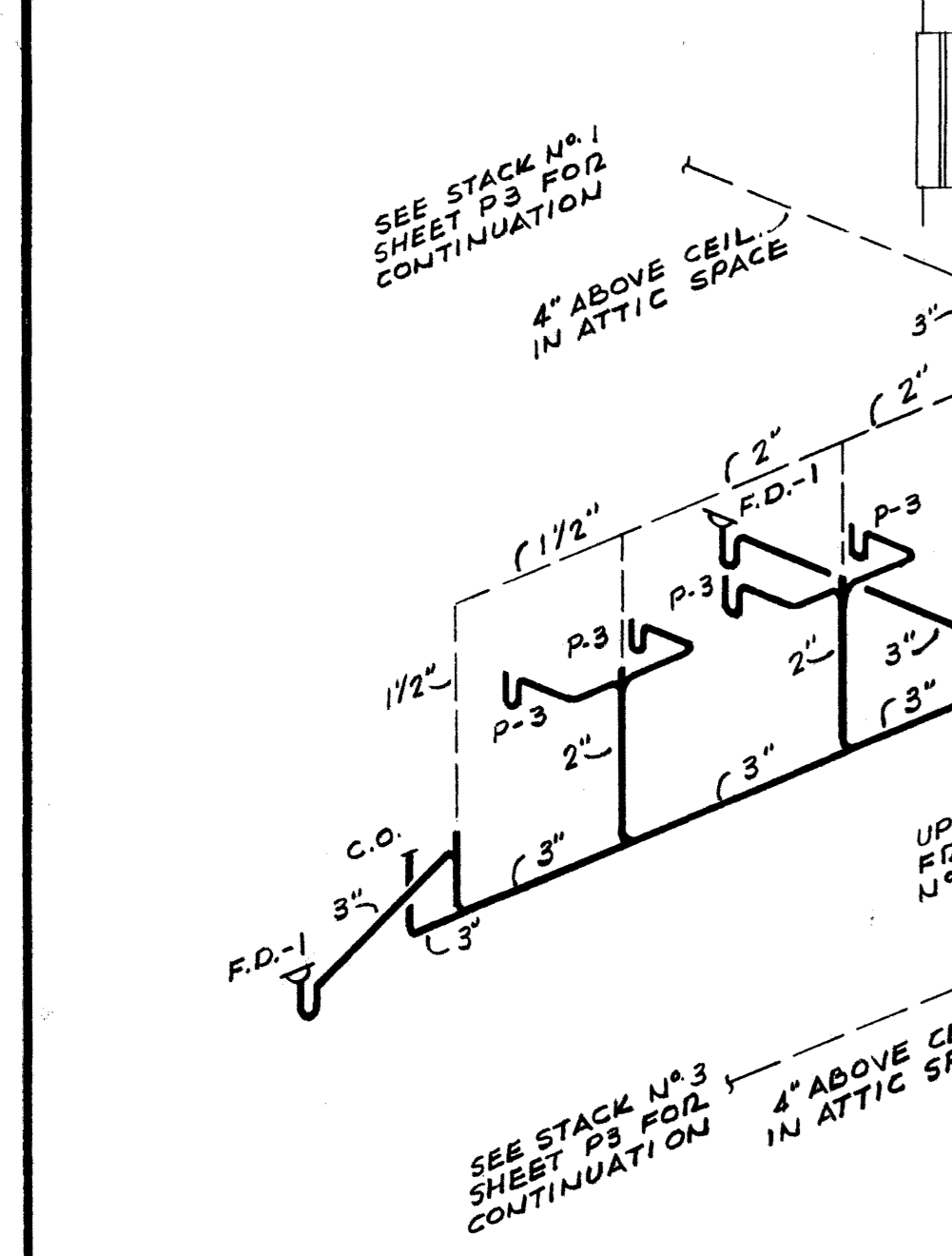
**FIRST FLOOR PLUMBING PLAN**  
SCALE: 1/8" = 1'-0"



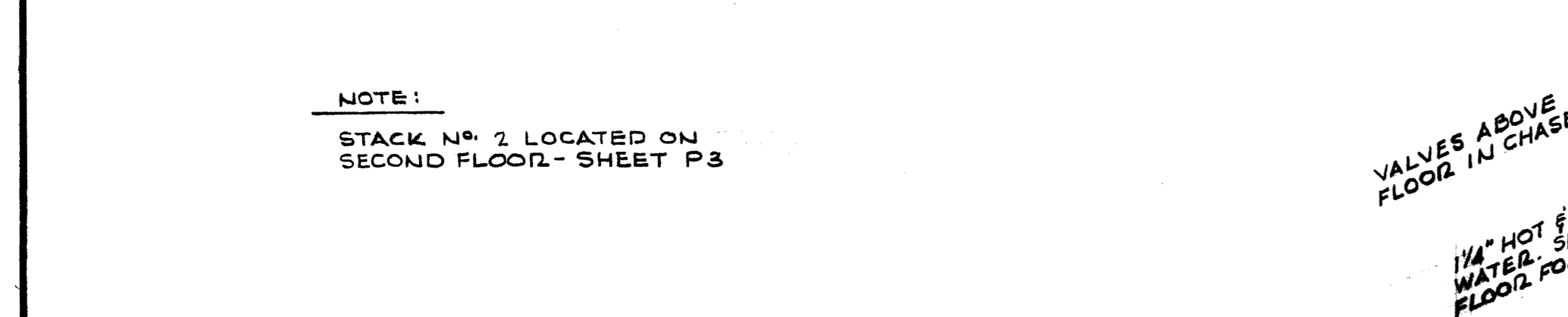
**SOIL, WASTE & VENT RISER DIAGRAM - STACK N° 4**  
NO SCALE



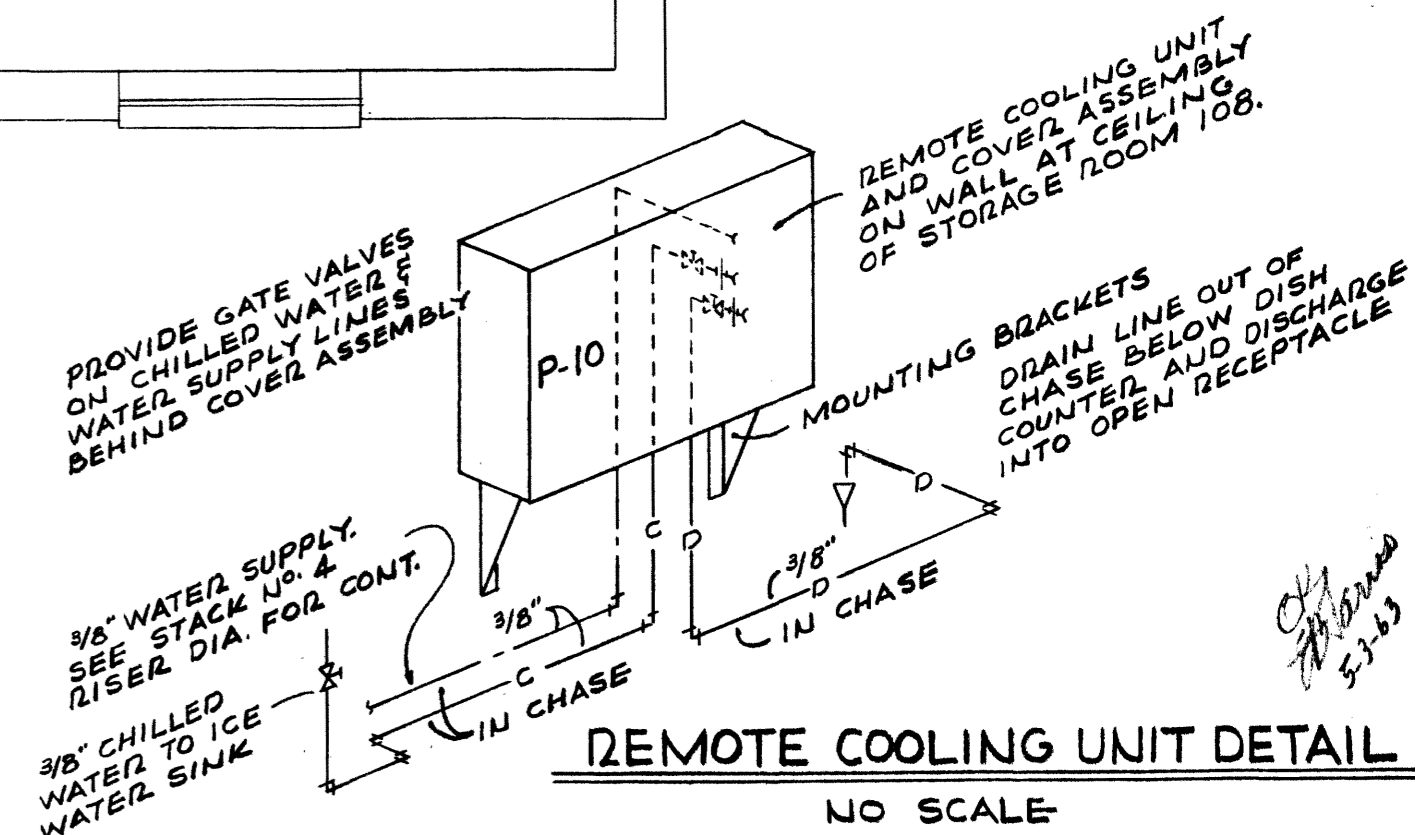
**HOT & COLD WATER RISER DIAGRAM - STACK N° 4**  
NO SCALE



**SOIL, WASTE & VENT RISER DIAGRAM - STACK N° 2**  
NO SCALE



**HOT & COLD WATER RISER DIAGRAM - STACK N° 2**  
NO SCALE



**REMOTE COOLING UNIT DETAIL**  
NO SCALE

**FIRST FLOOR PLUMBING PLAN & DETAILS**  
SIGMA NU FRATERNITY HOUSE  
UNIVERSITY OF KENTUCKY  
LEXINGTON, KENTUCKY

DRAWN BY	MECHANICAL	DATE
TRACED BY	GILIG • CHRISMAN & MILLER	SCALE
CHECKED BY	ARCHITECTS ASSOCIATED	SPEC. NO.
REVISIONS	COMMONWEALTH OF KENTUCKY DEPARTMENT OF FINANCE ENGINEERING STAFF FRANKFORT, KENTUCKY	DRAWING NO.
APPROVED BY	<i>George R. Korman</i> AGENCY HEAD	DATE 5-3-63
APPROVED BY	<i>Keith A. ...</i> CHIEF OF STAFF	DATE 5-24-63

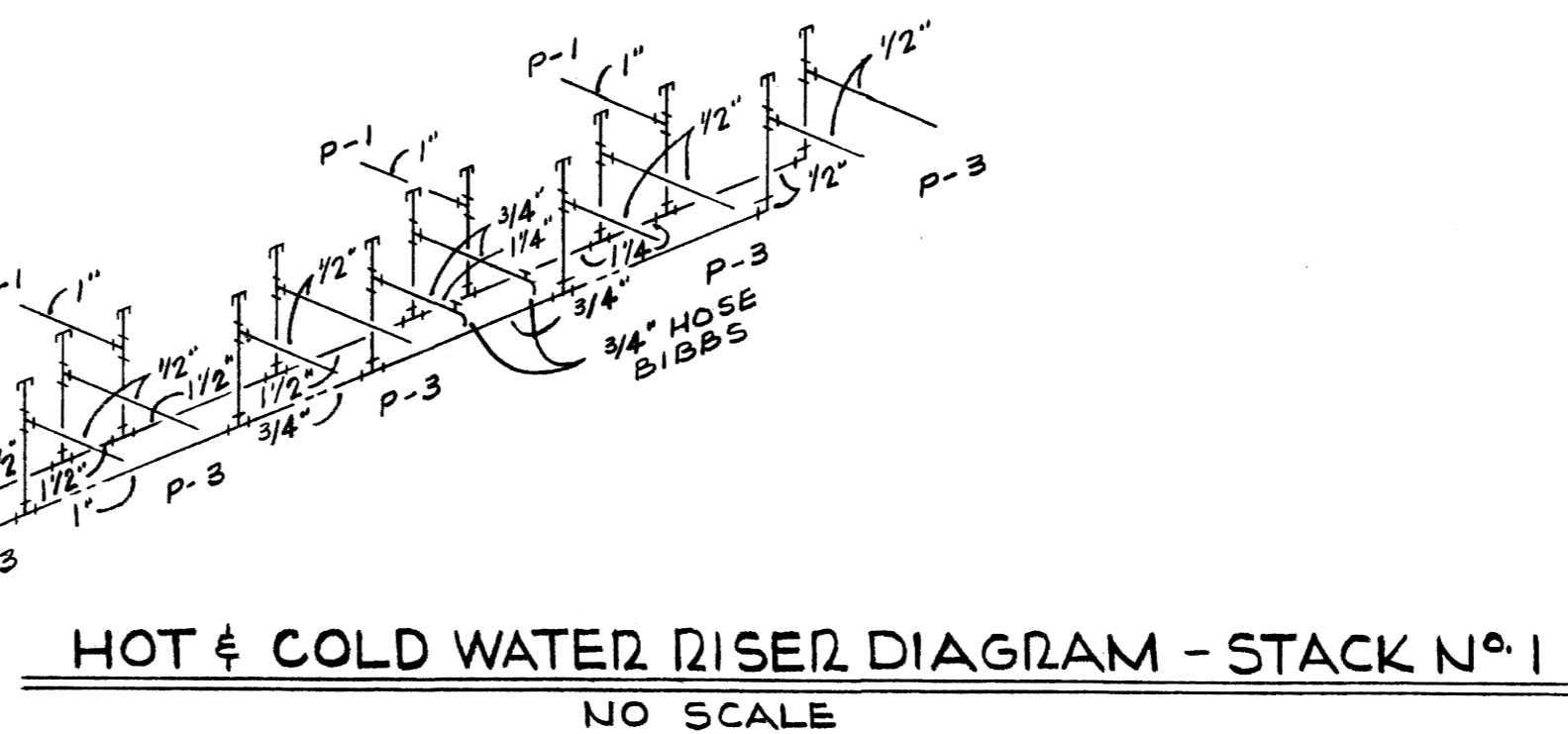
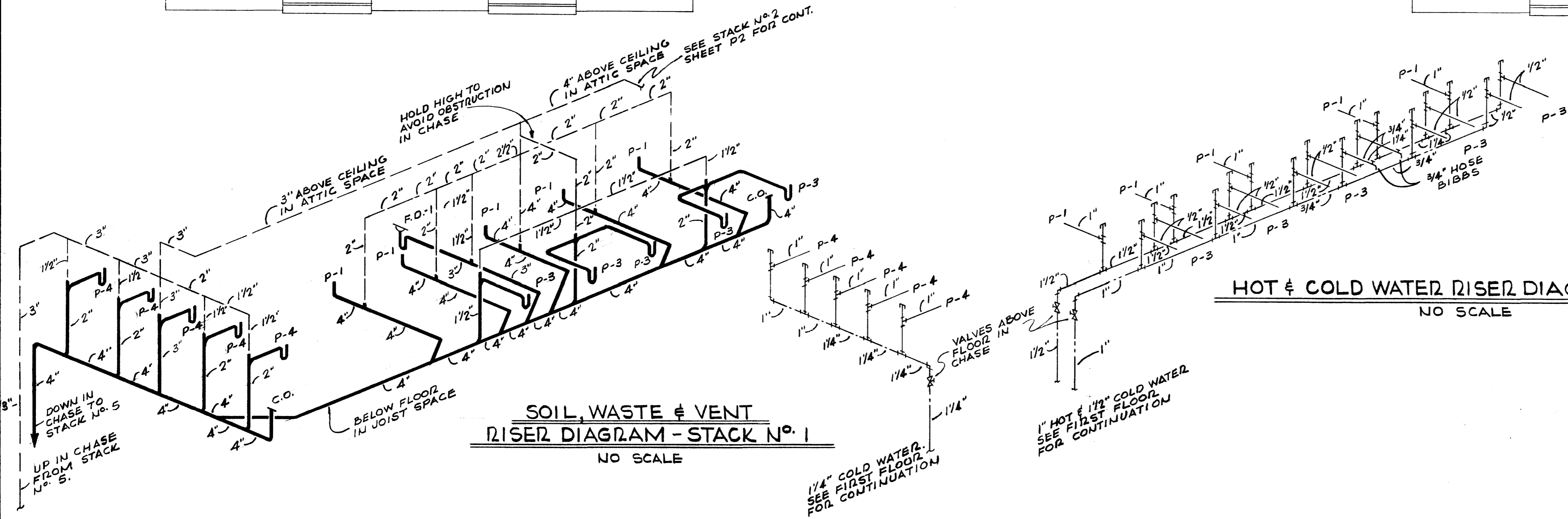
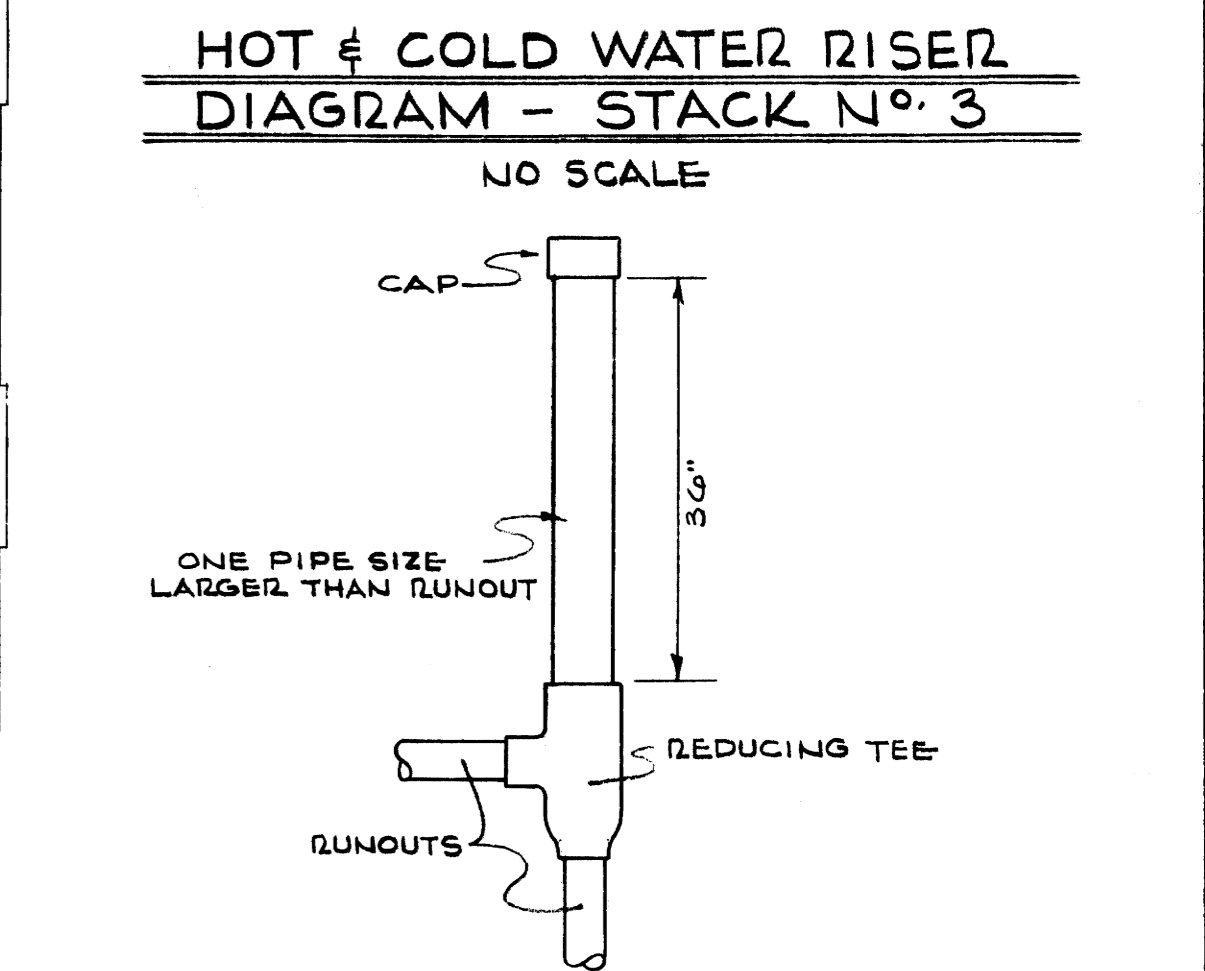
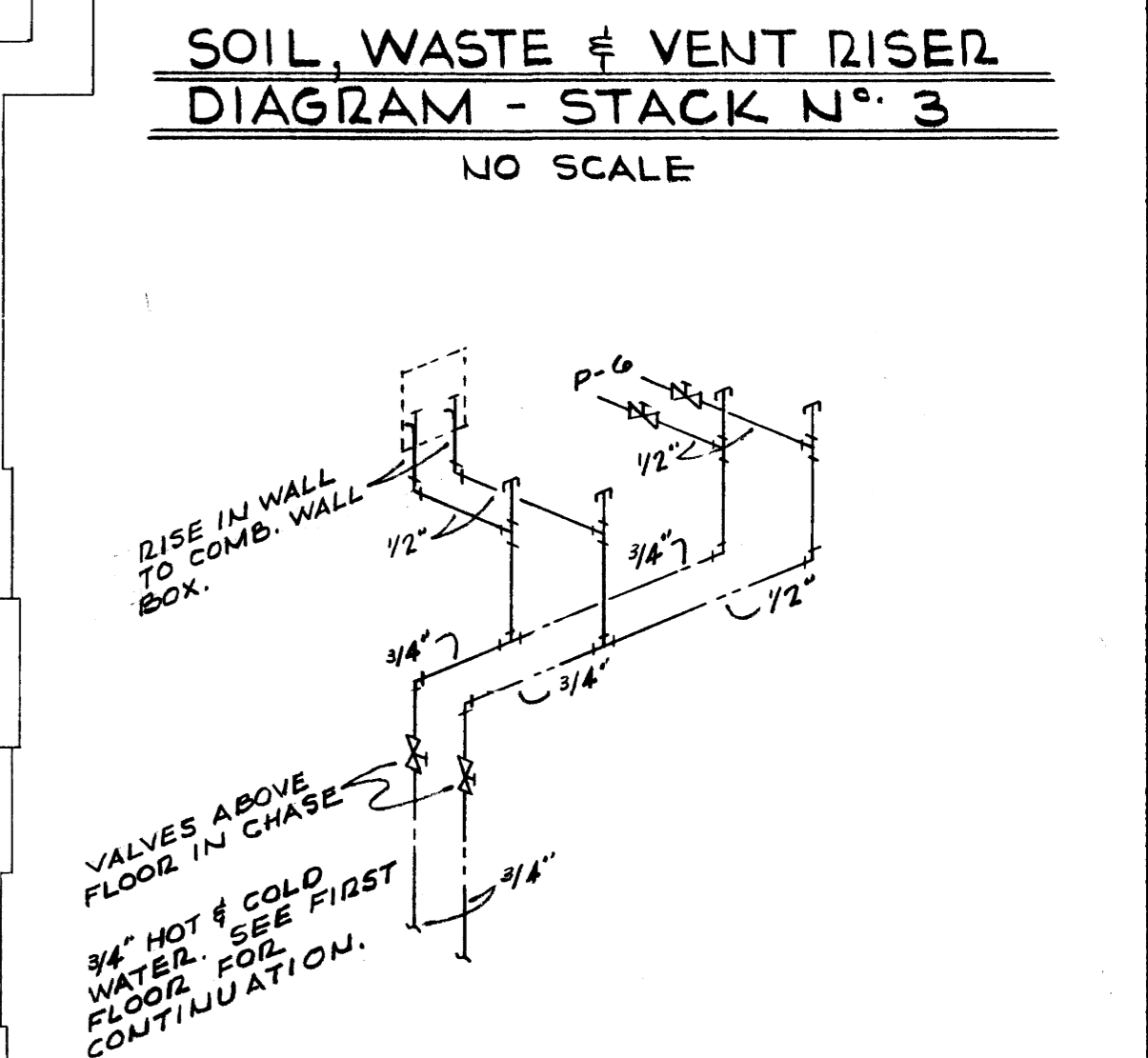
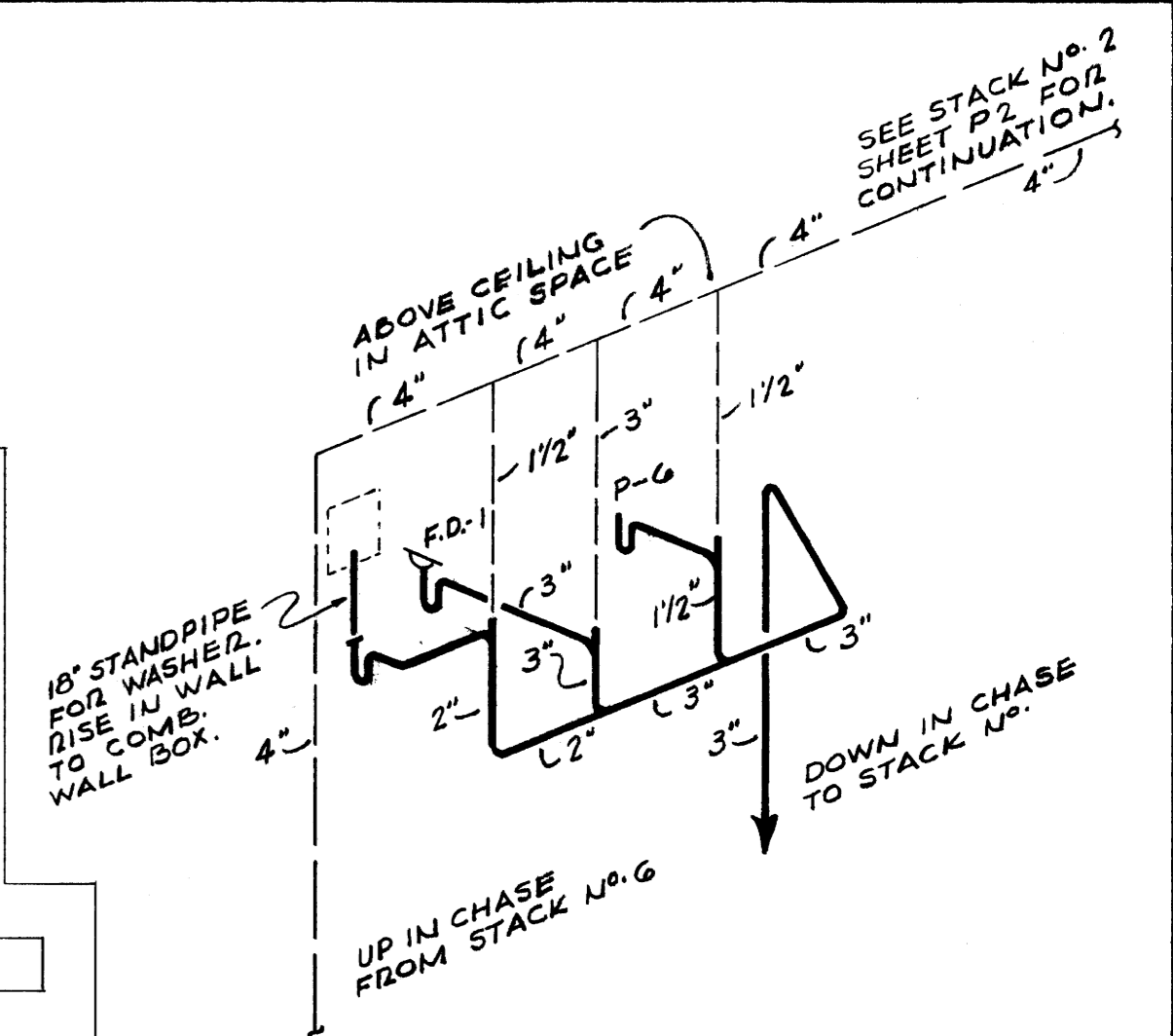
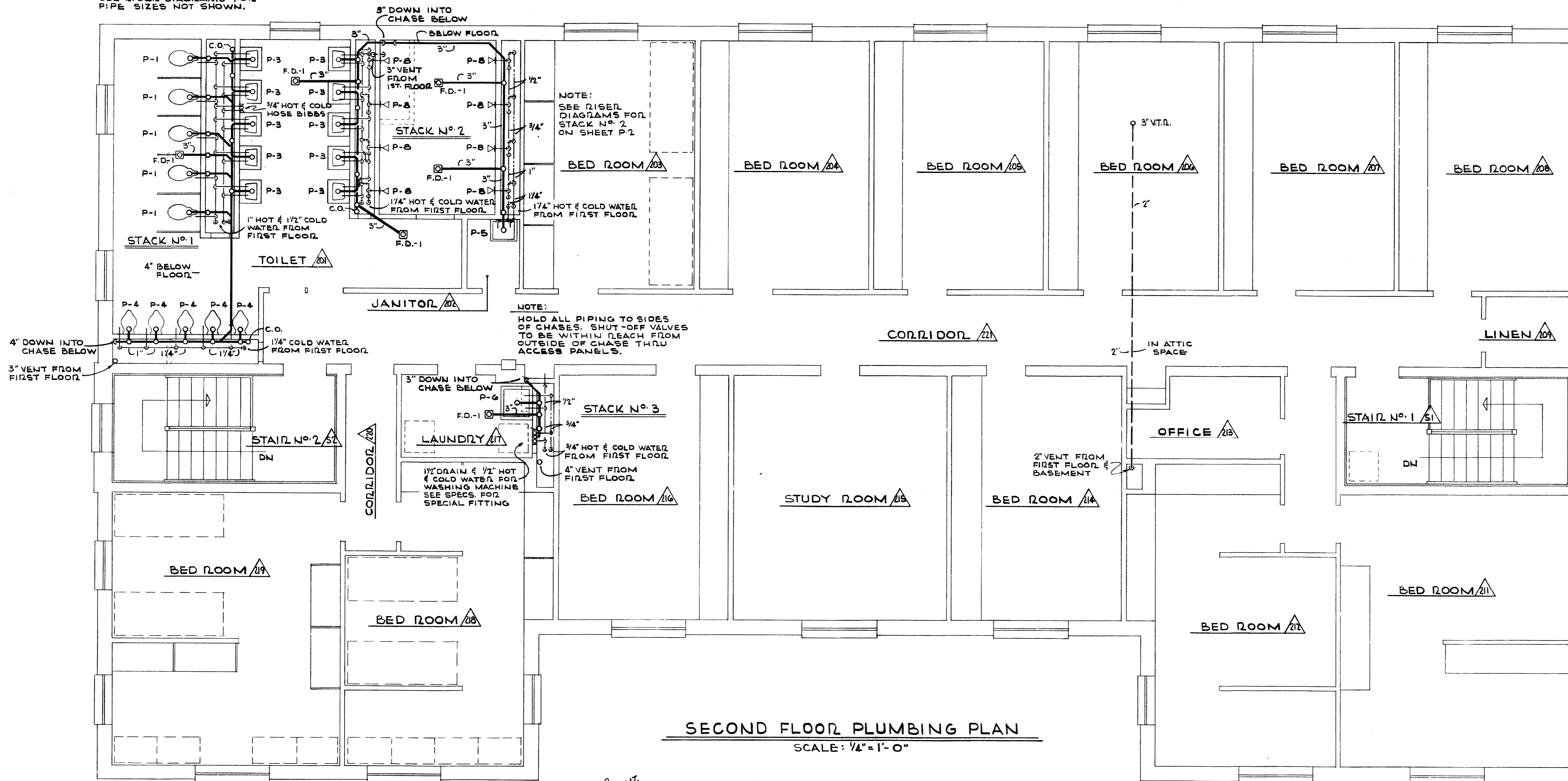
**HUGH DILLEHAY**  
And Associates  
Consulting Engineers  
LEXINGTON, KENTUCKY

STATE OF KENTUCKY  
REGISTERED PROFESSIONAL ENGINEER  
HUGH D. DILLEHAY  
2886

STATE OF KENTUCKY  
REGISTERED PROFESSIONAL ENGINEER  
KENNETH H. DARNELL  
4499

JOB NO. 6321 DESIGNED BY JED DRAWN BY JED CHECKED BY H.D.D. & J.E.H. DATE 5/2/63

NOTE:  
SEE RISER DIAGRAMS FOR  
PIPE SIZES NOT SHOWN.



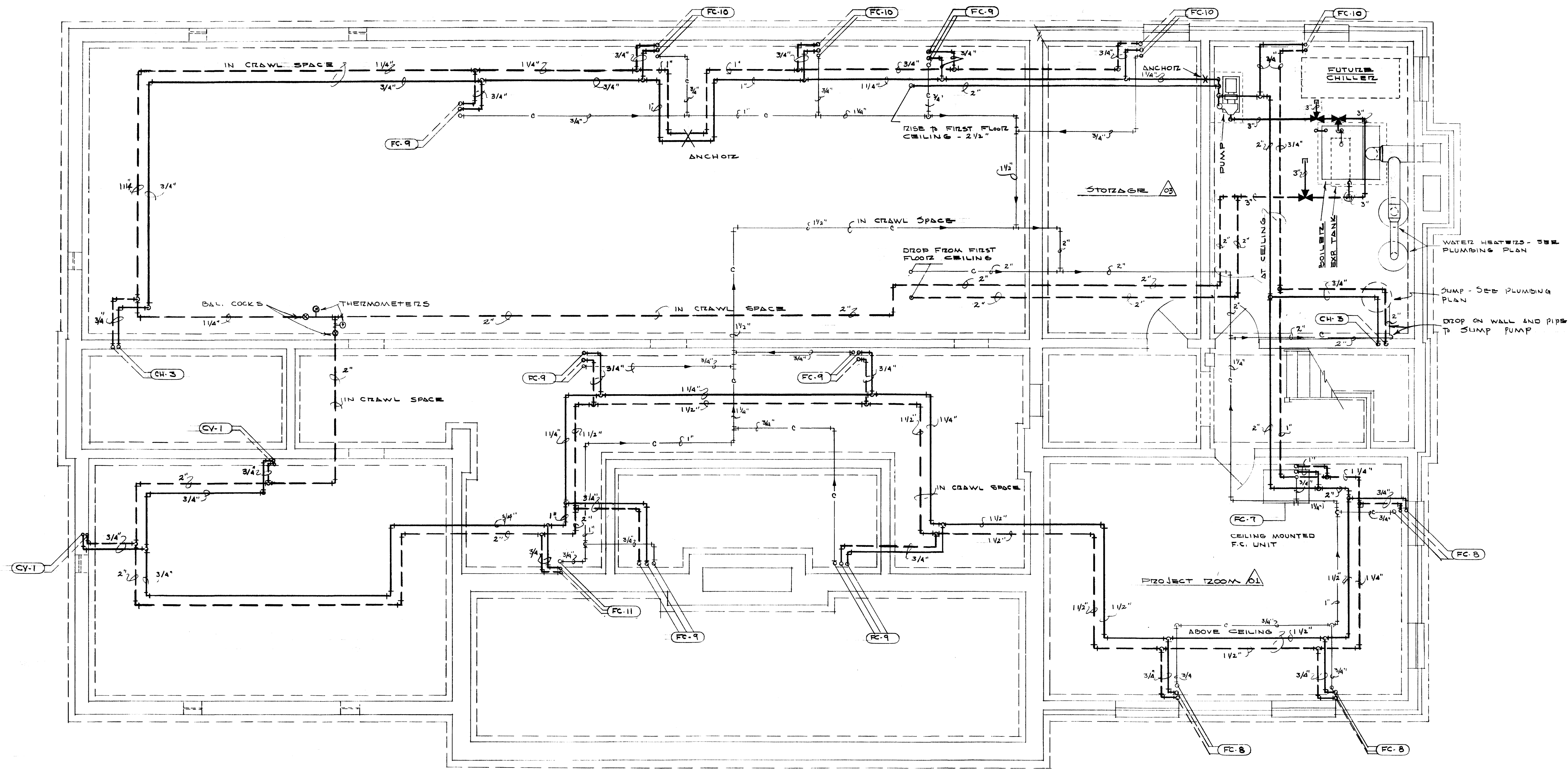
SECOND FLOOR PLUMBING PLAN & DETAILS			
SIGMA NU FRATERNITY HOUSE			
UNIVERSITY OF KENTUCKY			
LEXINGTON		KENTUCKY	
DRAWN BY	MECHANICAL	DATE	
TRACED BY	GILLIG • CHRISMAN & MILLER	SCALE	
CHECKED BY	ARCHITECTS ASSOCIATED	SPEC. NO.	
183 WALNUT STREET LEXINGTON, KENTUCKY			
REVISIONS	COMMONWEALTH OF KENTUCKY	DRAWING NO.	P-3
		DEPARTMENT OF FINANCE	
		ENGINEERING STAFF	
		FRANKFORT KENTUCKY	
APPROVED BY	<i>[Signature]</i>	AGENCY HEAD	DATE 5-3-63
APPROVED BY	<i>[Signature]</i>	CHIEF OF STAFF	DATE 5-24-63

**HUGH DILLEHAY**  
And Associates  
Consulting Engineers  
LEXINGTON, KENTUCKY

STATE OF KENTUCKY  
REGISTERED PROFESSIONAL ENGINEER  
HUGH D. DILLEHAY  
2886

STATE OF KENTUCKY  
REGISTERED PROFESSIONAL ENGINEER  
KENNETH H. DARRELL  
4499

JOB NO. 6321 DESIGNED BY JED DRAWN BY JED CHECKED BY 7/6/63 DATE 5/21/63



**BASEMENT & CRAWL SPACE HEATING PLAN**  
 SCALE: 1/4" = 1'-0"

NOTE:  
 SEE DIAGRAMS AND SCHEDULES  
 SHEET FOR COMPLETE EQUIPMENT  
 AND CONNECTION DESCRIPTION

*Handwritten initials and date: J.S. 5-3-63*

BASEMENT HEATING PLAN		
SIGMA NU FRATERNITY HOUSE		
UNIVERSITY OF KENTUCKY		
LEXINGTON, KENTUCKY		
DRAWN BY	MECHANICAL	DATE
TRACED BY	GILLIG • CHRISMAN & MILLER	SCALE
CHECKED BY	ARCHITECTS ASSOCIATED	SPEC. NO.
180 WALNUT STREET		
LEXINGTON, KENTUCKY		
REVISIONS	COMMONWEALTH OF KENTUCKY	DRAWING NO.
	DEPARTMENT OF FINANCE	<b>II-1</b>
	ENGINEERING STAFF	
	FRANKFORT, KENTUCKY	
APPROVED BY	<i>Handwritten signature</i>	DATE 5-3-63
	AGENCY HEAD	
APPROVED BY	<i>Handwritten signature</i>	DATE 5-24-63
	CHIEF OF STAFF	

**HUGH DILLEHAY**  
*And Associates*  
 Consulting Engineers  
 LEXINGTON, KENTUCKY

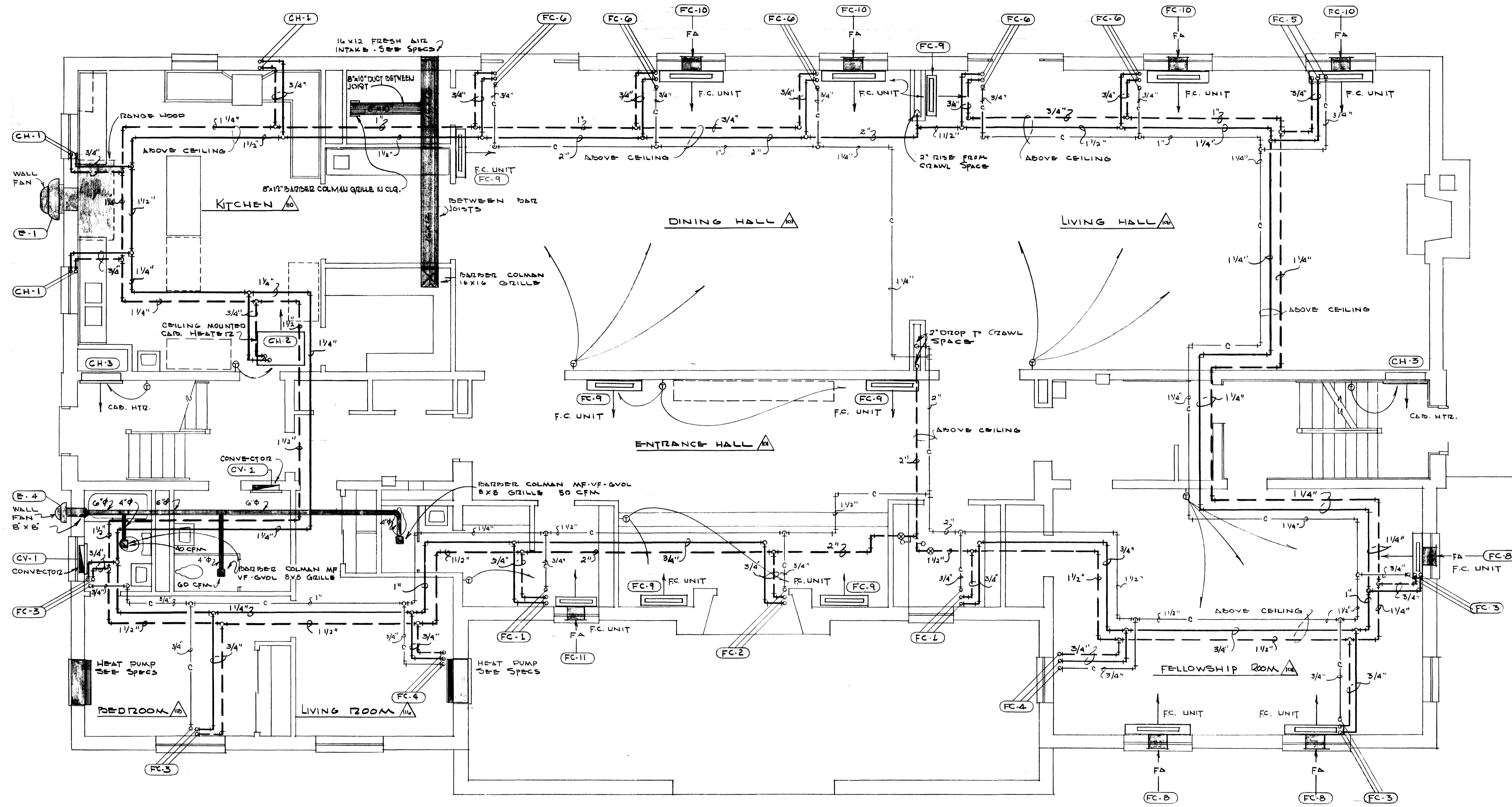
**SEAL OF KENTUCKY**  
 HUGH D. DILLEHAY  
 2886  
 REGISTERED PROFESSIONAL ENGINEER

**SEAL OF KENTUCKY**  
 KENNETH H. DANIELL  
 4499  
 REGISTERED PROFESSIONAL ENGINEER

JOB NO. 2521 DESIGNED BY COLLETT DRAWN BY COLLETT CHECKED BY M.A.J.R.H. DATE 5/2/63

U-2923

121 B-2 08/07/6



**FIRST FLOOR HEATING & VENTILATING PLAN**  
 SCALE: 1/4" = 1'-0"

FIRST FLOOR HEATING & VENTILATING PLAN		
SIGMA NU FRATERNITY HOUSE		
UNIVERSITY OF KENTUCKY		
LEXINGTON, KENTUCKY		
DESIGNED BY	MECHANICAL	DATE
DRAWN BY	GILIG • CHRISMAN & MILLER	SCALE
CHECKED BY	ARCHITECTS ASSOCIATED	SPEC. NO.
APPROVED BY	COMMONWEALTH OF KENTUCKY	DRAWING NO.
DESIGNED BY	DEPARTMENT OF FINANCE	DATE
APPROVED BY	ENGINEERING STAFF	DATE
DESIGNED BY	FRANKFORT, KENTUCKY	DATE
APPROVED BY	GEORGE E. EVANATHAS	DATE
DESIGNED BY	ASSOCIATE BUS. MGR.	DATE
APPROVED BY	KENTUCKY	DATE

**HUGH DILLEHAY**  
*And Associates*  
 Consulting Engineers  
 LEXINGTON, KENTUCKY

STATE OF KENTUCKY  
 HUGH D. DILLEHAY  
 2886  
 REGISTERED PROFESSIONAL ENGINEER

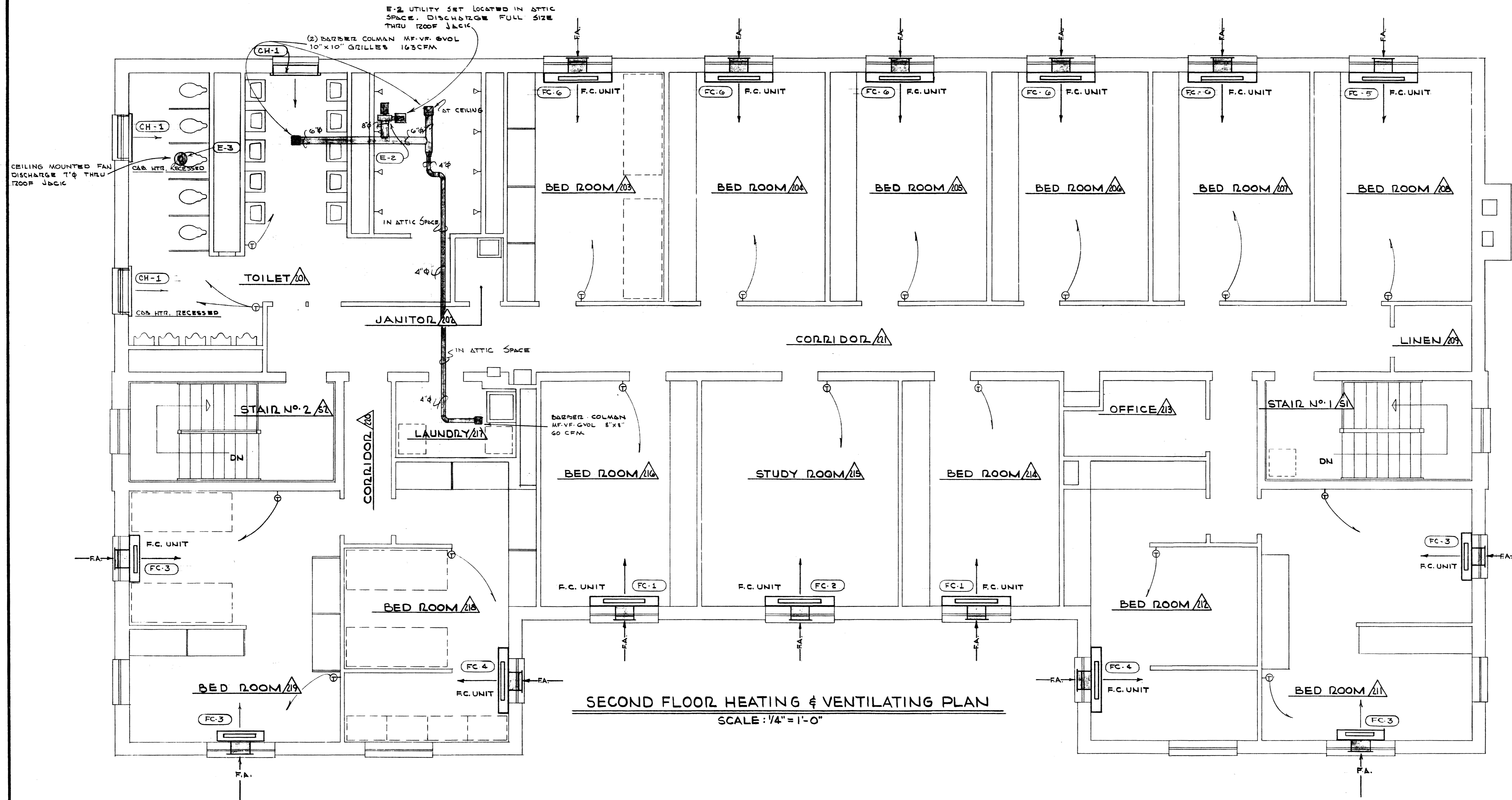
STATE OF KENTUCKY  
 KENNETH H. DARNELL  
 4499  
 REGISTERED PROFESSIONAL ENGINEER

JOB NO. 6321  
 DESIGNED BY CORNETT  
 DRAWN BY CORNETT  
 CHECKED BY H.D.J.R.H.  
 DATE 5/2/63

APPROVED BY *George E. Evanathas* DATE 5-3-62  
 APPROVED BY *Kent Ashby* DATE 5-24-63

4-2929

Document # 008077  
 121 B-2  
 Sheet



SECOND FLOOR HEATING & VENTILATING PLAN  
SCALE: 1/4" = 1'-0"

SECOND FLOOR HEATING & VENTILATING PLAN		
SIGMA NU FRATERNITY HOUSE UNIVERSITY OF KENTUCKY LEXINGTON KENTUCKY		
DRAWN BY	MECHANICAL	DATE
TRACED BY	GILLIG • CHRISMAN & MILLER	SCALE
CHECKED BY	ARCHITECTS ASSOCIATED 193 WALNUT STREET LEXINGTON, KENTUCKY	SPEC. NO.
REVISIONS	COMMONWEALTH OF KENTUCKY DEPARTMENT OF FINANCE ENGINEERING STAFF FRANKFORT KENTUCKY	DRAWING NO. <b>II-3</b>
APPROVED BY	<i>George R. Evans</i> AGENCY HEAD	DATE 5-23-62
APPROVED BY	<i>Keith A. Wilby</i> CHIEF OF STAFF	DATE 5-24-63

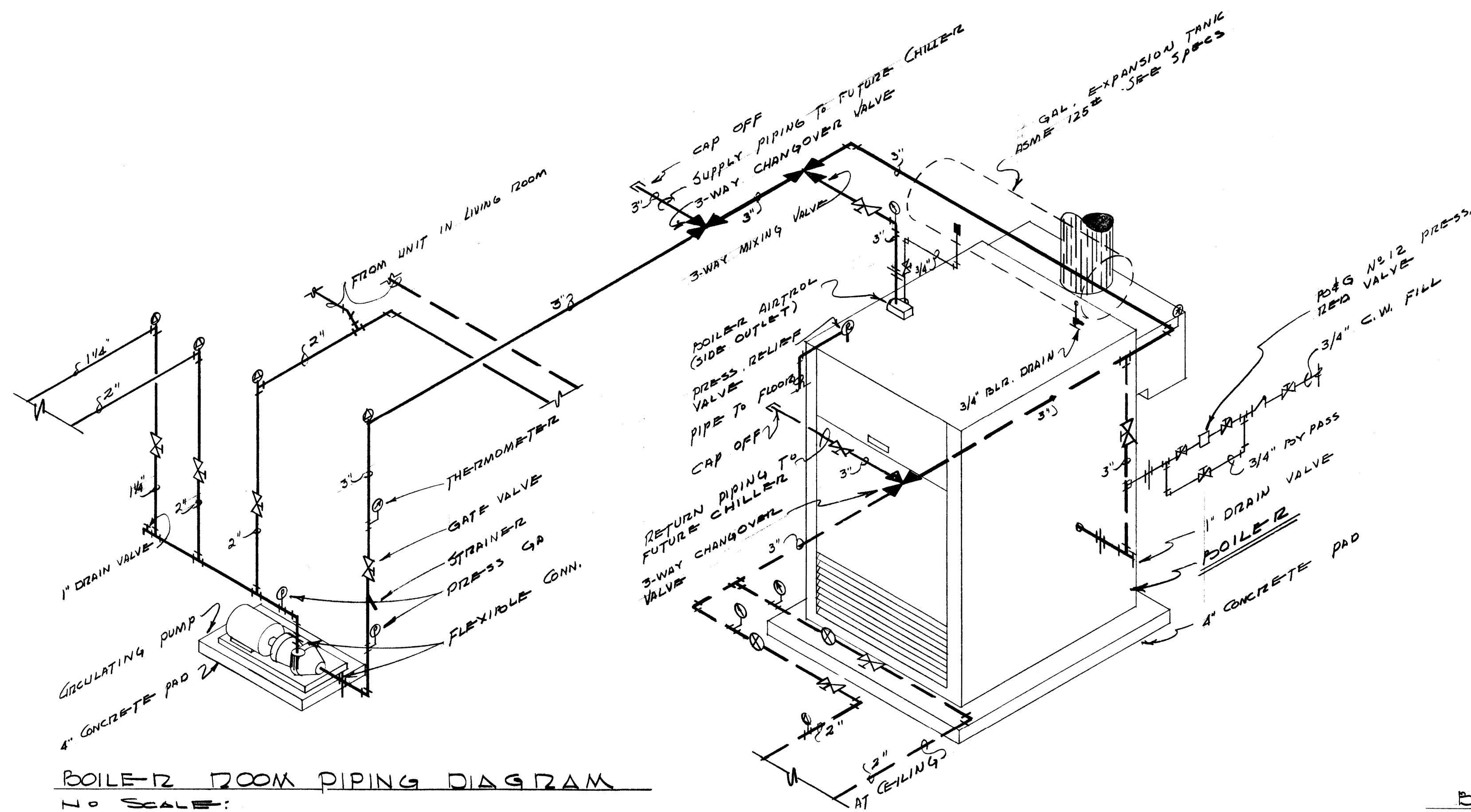
**HUGH DILLEHAY**  
And Associates  
Consulting Engineers  
LEXINGTON, KENTUCKY

STATE OF KENTUCKY  
REGISTERED PROFESSIONAL ENGINEER  
KENNETH H. FARWELL  
4499

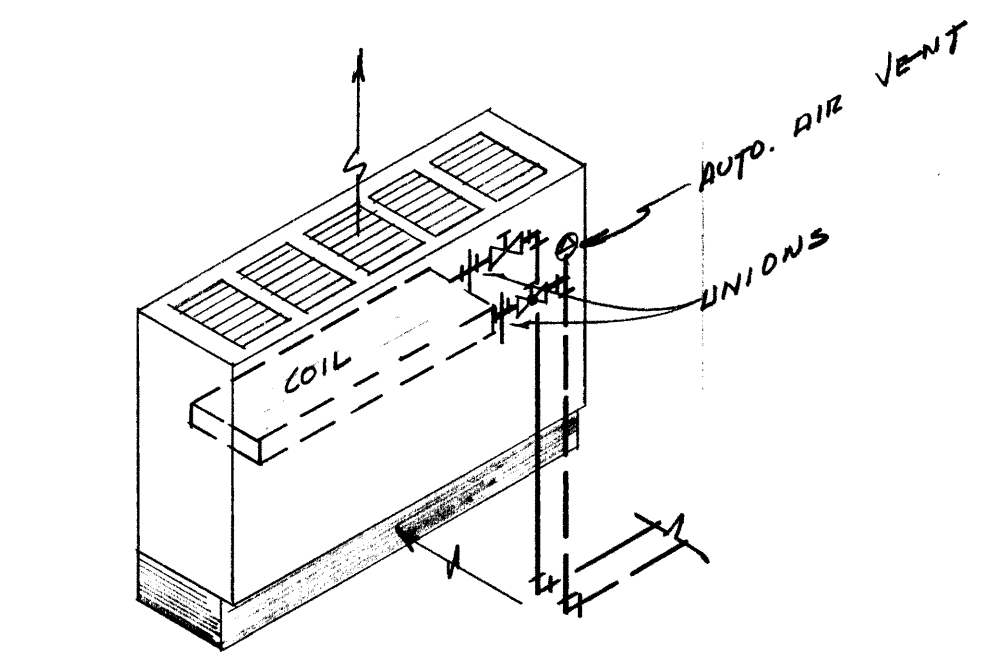
STATE OF KENTUCKY  
REGISTERED PROFESSIONAL ENGINEER  
HUGH D. DILLEHAY  
2886

DESIGNED BY CORLETT  
DRAWN BY CORLETT  
CHECKED BY JAW  
DATE 5/2/63

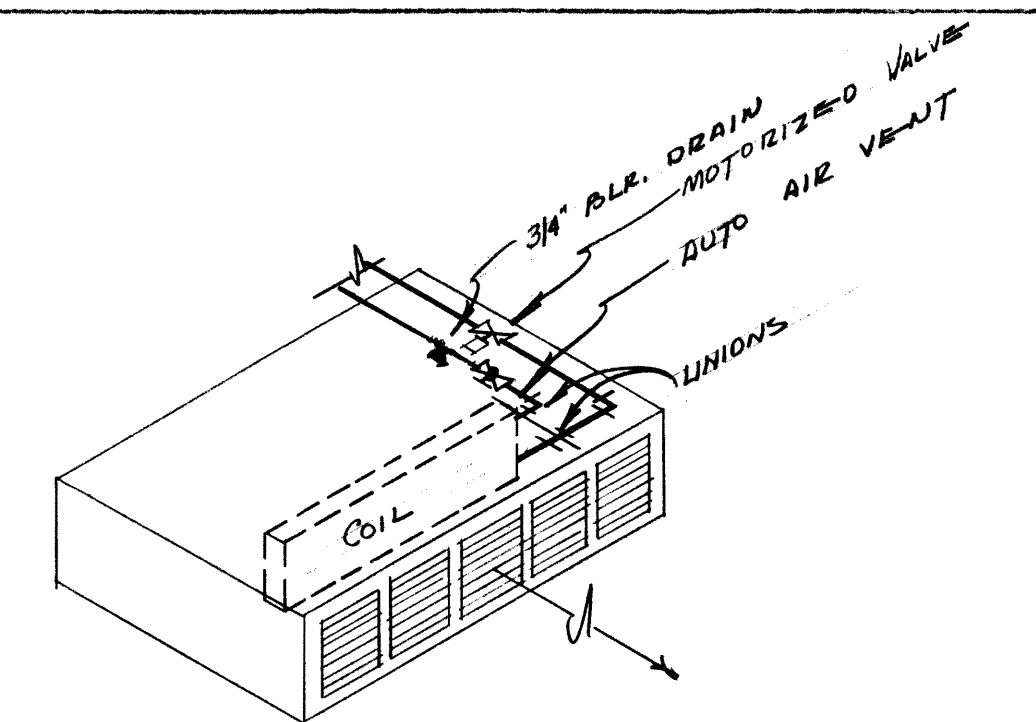
4-2925



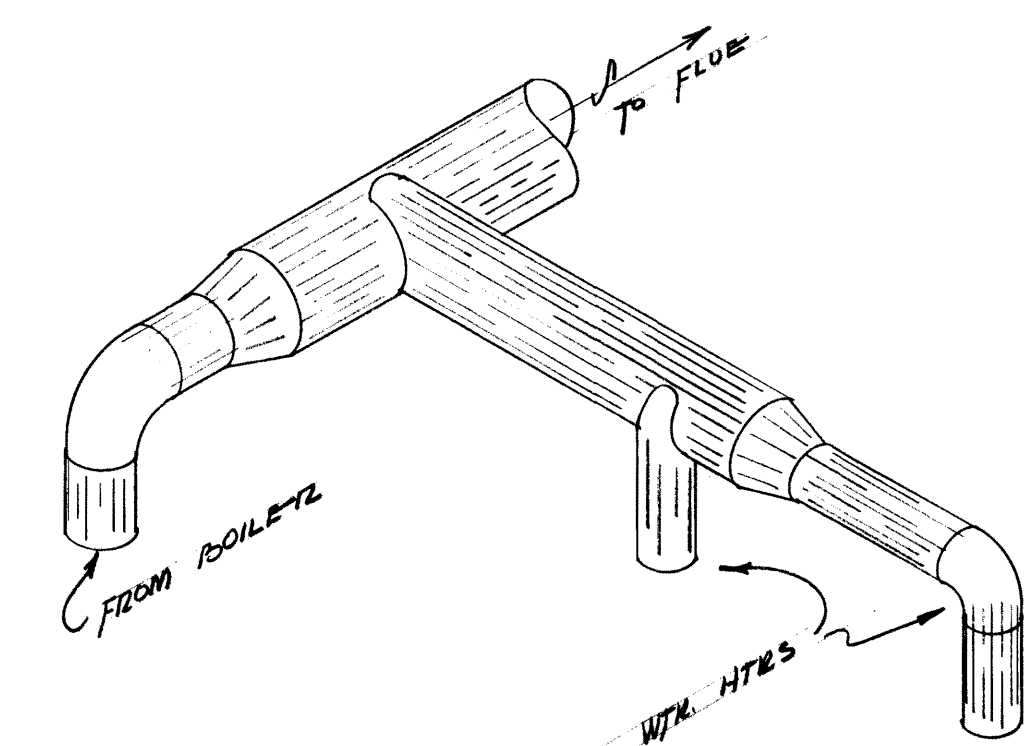
BOILER ROOM PIPING DIAGRAM  
NO SCALE



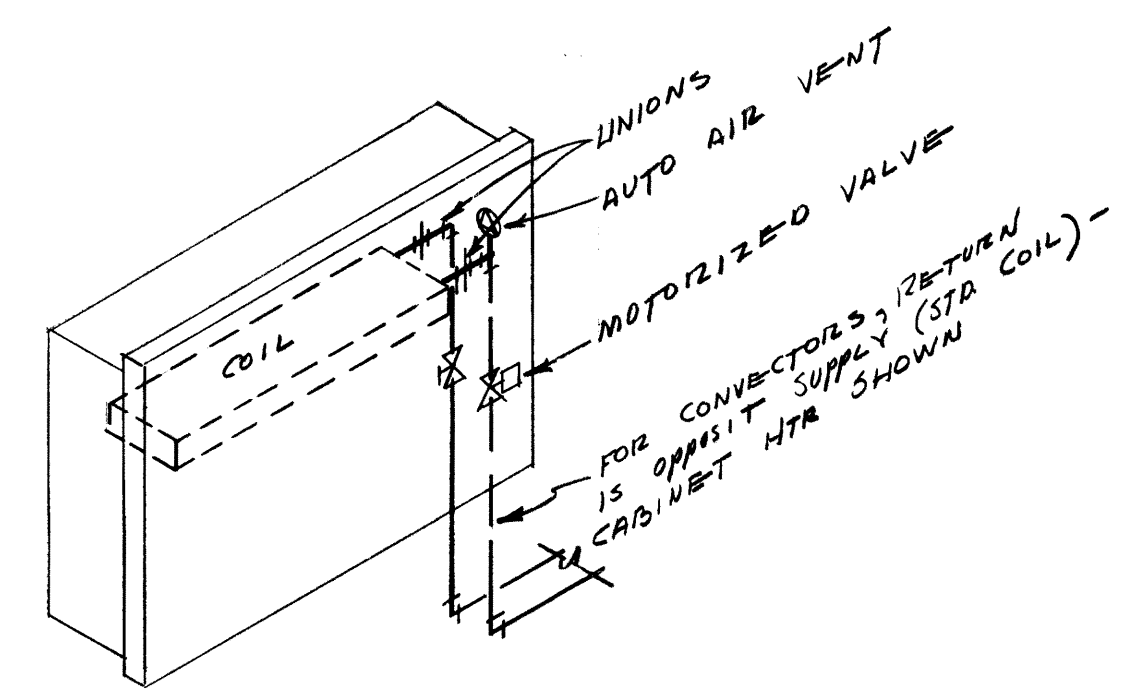
FAN COIL PIPING DIAGRAM  
NO SCALE



CEILING CABINET HEATER PIPING DIAGRAM  
NO SCALE



BREECHING DIAGRAM  
NO SCALE



RECESSED UNIT PIPING UNIT  
NO SCALE

SCHEDULE OF FAN COIL UNITS																		
SCHEDULE NO	MANUFACTURER	SIZE	CFM	CFM @ 1/2"	NO FANS	COOLING				HEATING				GPM	PD. FT. WATER	HP	ELECT. CHRG.	MOUNTING
						EWT	LWT	CAPACITY SENS	CAPACITY TOTAL	EWT	TD	CAPACITY TOTAL						
FC-1	TRANE	32 DD	300	50	1	45°	57	5454	7400	140	20	12,500	1.25	1.80	1/25	115V-60A-1φ	STD FLOOR MOUNTING	
FC-2	TRANE	42 DD	400	100	2	45°	57	8059	18,600	140	20	31,000	3.10	4.20	1/20	115V-60A-1φ	STD FLOOR MOUNTING	
FC-3	TRANE	42 DD	330	40	2	45°	57	7366	10,000	140	20	20,000	2.00	2.00	1/20	115V-60A-1φ	STD FLOOR MOUNTING	
FC-4	TRANE	42 DD	330	60	2	45°	57	7055	10,200	140	20	17,000	1.70	1.50	1/20	115V-60A-1φ	STD FLOOR MOUNTING	
FC-5	TRANE	42 DD	330	50	2	45°	55	7174	1650	140	20	2400	2.40	2.80	1/20	115V-60A-1φ	STD FLOOR MOUNTING	
FC-6	TRANE	32 DD	300	50	1	45°	55	6210	9000	140	20	18000	1.80	3.00	1/25	115V-60A-1φ	STD FLOOR MOUNTING	
FC-7	TRANE	62 DD	600	0	2	45°	55	12,800	15,000	140	20	31,000	3.10	5.60	1/12	115V-60A-1φ	CEILING MOUNTED	
FC-8	TRANE	42 DD	400	70	2	45°	57	8180	11,500	140	20	19,000	1.90	1.80	1/20	115V-60A-1φ	STD FLOOR MOUNTING	
FC-9	TRANE	22 DD	165	0	1	45°	55	3000	3300	140	20	6800	0.68		1/30	115V-60A-1φ	STD FLOOR MOUNTING	
FC-10	TRANE	62 DD	500	100	2	45°	57	10,032	14,500	140	20	25000	2.50	3.80	1/12	115V-60A-1φ	STD FLOOR MOUNTING	
FC-11	TRANE	22 DD	200	50	1	45°	55	4837	7600	140	20	19000	1.90	4.30	1/30	115V-60A-1φ	STD FLOOR MOUNTING	

SCHEDULE OF CABINET HEATERS																
SCHEDULE NO	MANUFACTURER	MODEL	TYPE	CAPACITY (BTUH)	EWT	TD	GPM	PD (FT. H <sub>2</sub> O)	EAT.	CFM	ARRANG.	FINAL TEMP	RPM	HP	ELECT. CHRG.	REMARKS
CH-1	TRANE	250-2	SG	19,647	140°		1.3	.90'	60°	650			700	1/8	115V-60A-1φ	WITH SERPENTINE COIL
CH-2	TRANE	250-2	CEILING	19,647	140°		1.3	.90'	60°	650	7		700	1/8	115V-60A-1φ	WITH SERPENTINE COIL
CH-3	TRANE	100-2	SG	10,856	140°		0.8	.24'	60°	320			1050	1/8	115V-60A-1φ	WITH SERPENTINE COIL

SCHEDULE OF CONVERTORS										
SCHEDULE NO	MANUFACTURER	MODEL	TYPE	SIZE	CBP (BTUH)	AVG WTR	GPM	PD	TD	REMARKS
CV-1	TRANE	CONV.	SG	24H X 80X 36L	4500	160	.45		20°	WITH DIAL KNOB DAMPERS

SCHEDULE OF EXHAUST FANS										
SCHEDULE NO	MANUFACTURER	MODEL	CFM	SP	RPM	HP	ELECT. CHRG.	MOUNTING	DUCT CONN AT FAN	REMARKS
E-1	JENN-AIR	148 CW	1730	1/4"	860	1/4	115V-60A-1φ	WALL	20 X 20	WITH BIRDSCREEN, DAMPER, DISCONNECT
E-2	ILG	R-15	400	1/4"	855	1/2	115V-60A-1φ	ATTIC	SEE PLANS	do
E-3	ILG	E130	350	0	-	-	115V-60A-1φ	CEILING	8"φ	
E-4	JENN-AIR	71CW	150	1/8"	1550	1/25	115V-60A-1φ	WALL	8" X 8"	

SCHEDULE OF PUMPS							
MANUFACTURER	TYPE	MODEL	GPM	HEAD	HP	RPM	ELECT. CHRG.
BELL & GOSSETT	UNIVERSAL	U3-S	60.43	37'	2	1750	240V-1φ

LEGEND	
	SUPPLY PIPING
	RETURN PIPING
	GATE VALVE
	GLOBE VALVE
	CHECK VALVE
	BALL COCK
	STRAINER
	UNION
	AUTO AIR VENT
	THERMOMETER
	THERMOSTAT

HUGH DILLEHAY  
And Associates  
Consulting Engineers  
LEXINGTON, KENTUCKY

STATE OF KENTUCKY  
HUGH D. DILLEHAY  
2886  
REGISTERED PROFESSIONAL ENGINEER

STATE OF KENTUCKY  
KENNETH H. DARRELL  
4499  
REGISTERED PROFESSIONAL ENGINEER

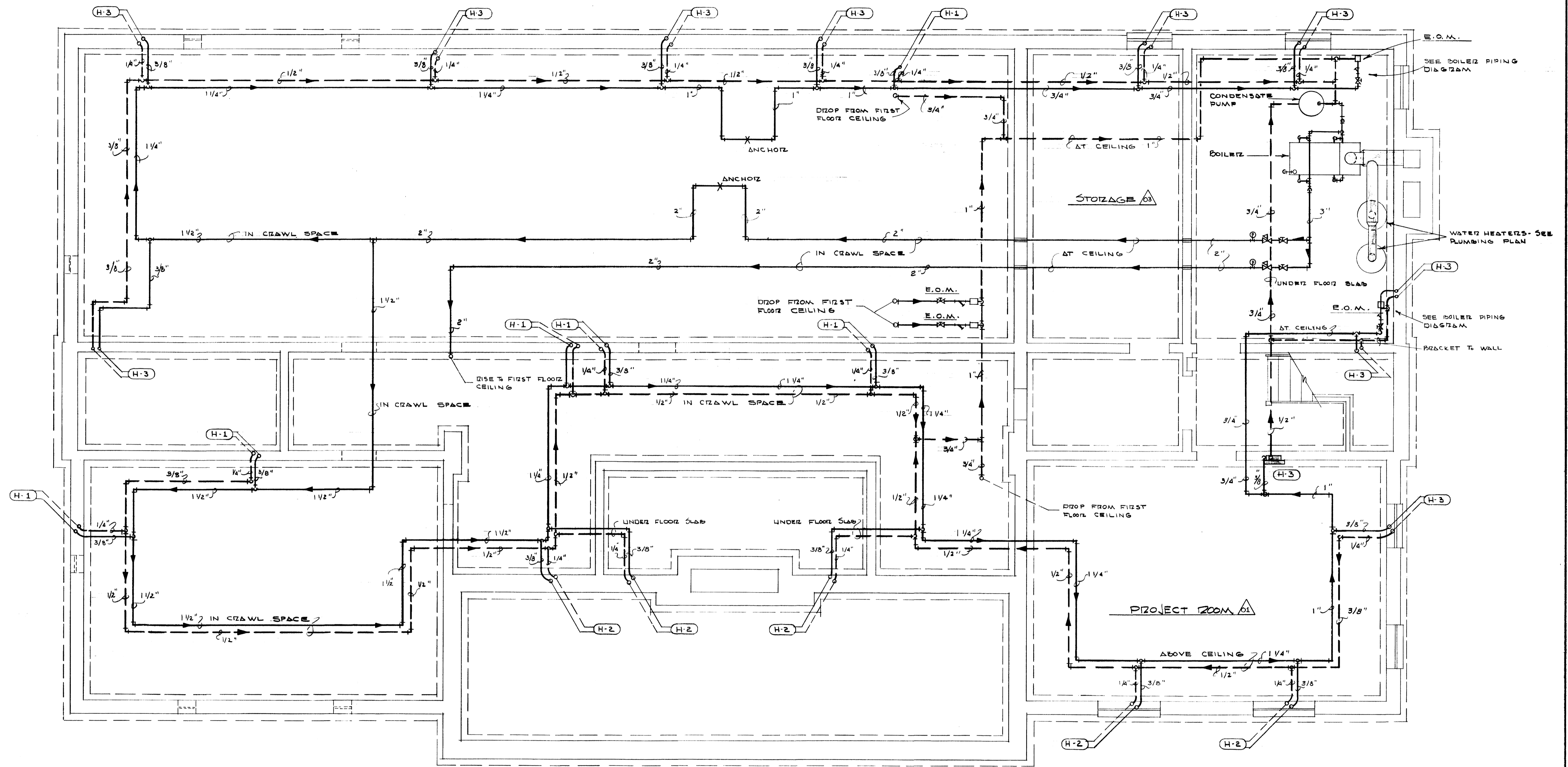
HEATING & VENTILATING DETAILS

SIGMA NU FRATERNITY HOUSE  
UNIVERSITY OF KENTUCKY  
LEXINGTON, KENTUCKY

DESIGNED BY: MECHANICAL  
CHECKED BY: GILIG & CHRISMAN & MILLER  
DRAWN BY: ARCHITECTS ASSOCIATED  
180 SHALLOTT STREET, LEXINGTON, KENTUCKY

APPROVED BY: COMMONWEALTH OF KENTUCKY  
DEPARTMENT OF FINANCE  
ENGINEERING STAFF  
TRANSPORT, KENTUCKY

DATE: 5-2-63  
DATE: 5-24-63

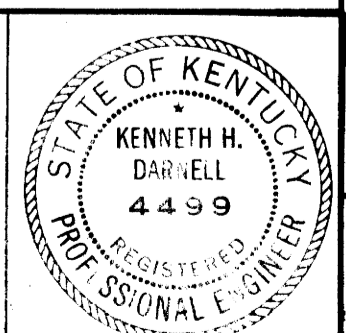
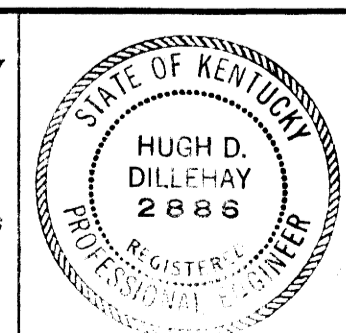


**BASEMENT AND CRAWL SPACE HEATING PLAN**  
 SCALE: 1/4" = 1'-0"

ALTERATE

<b>BASEMENT HEATING PLAN</b>		
<b>SIGMA NU FRATERNITY HOUSE</b>		
<b>UNIVERSITY OF KENTUCKY</b>		
<b>LEXINGTON KENTUCKY</b>		
DRAWN BY	MECHANICAL	DATE
TRACED BY	GILLIG • CHRISMAN & MILLER	SCALE
CHECKED BY	ARCHITECTS ASSOCIATED 180 WALNUT STREET LEXINGTON, KENTUCKY	SPEC. NO.
REVISIONS	COMMONWEALTH OF KENTUCKY DEPARTMENT OF REVENUE ENGINEERING DIVISION FRANKFURT, KENTUCKY	DRAWING NO.
		<b>H-5</b>
APPROVED BY	<i>Keith Ashby</i>	DATE 5-3-63
APPROVED BY	<i>Keith Ashby</i>	DATE 5-24-63

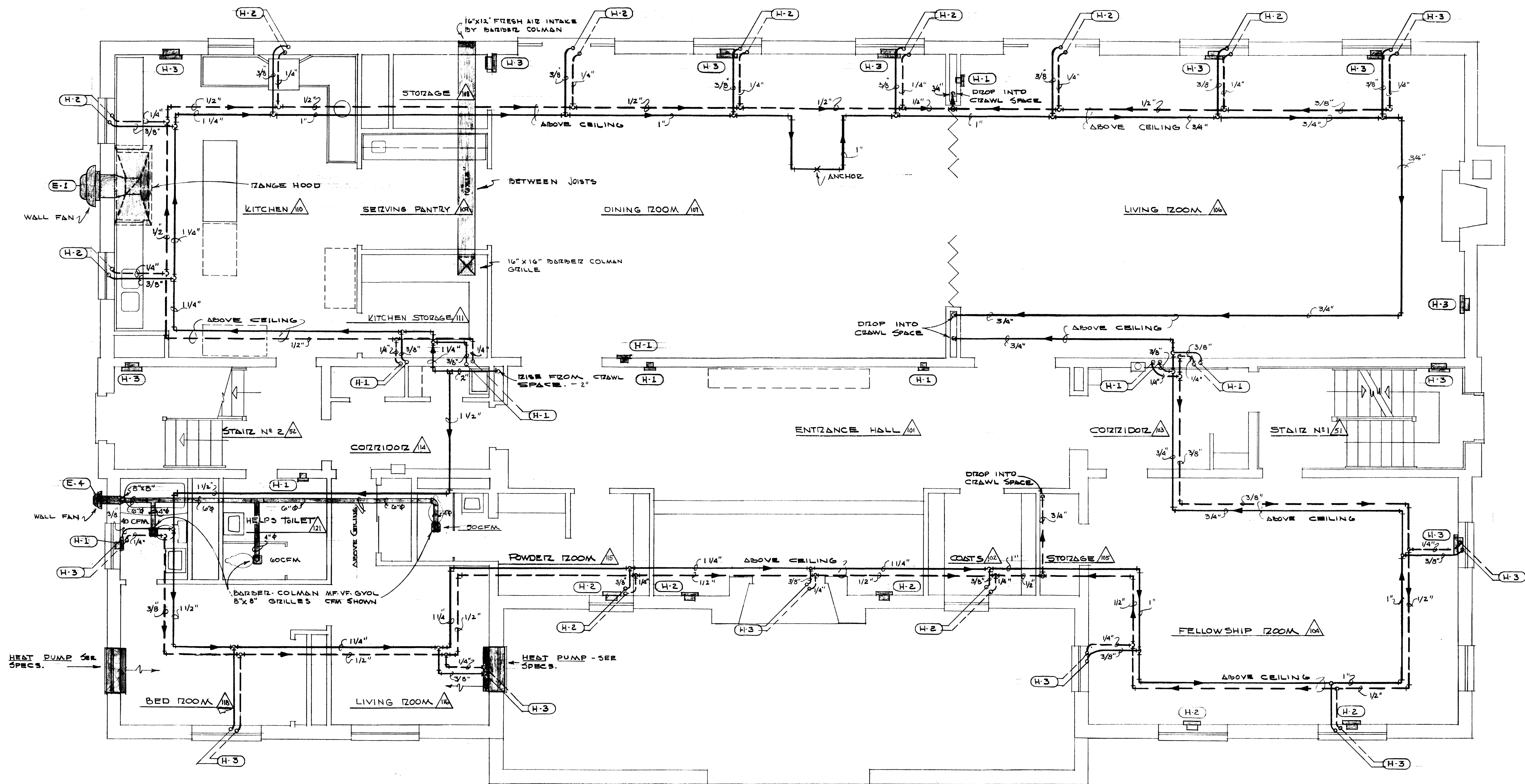
HUGH DILLEHAY  
*And Associates*  
 Consulting Engineers  
 LEXINGTON, KENTUCKY



JOB NO. 6921	DESIGNED BY CORUETT	DRAWN BY CORUETT	CHECKED BY E.J.R.H.	DATE 5/2/63
-----------------	------------------------	---------------------	------------------------	----------------

U-2927





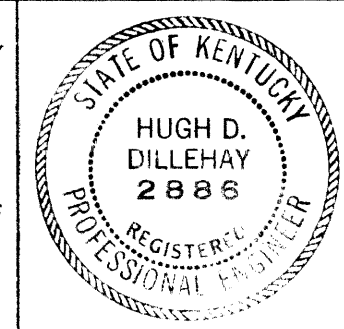
FIRST FLOOR HEATING & VENTILATING PLAN  
 SCALE: 1/4" = 1'-0"

ALTERIATE

FIRST FLOOR HEATING & VENTILATING PLAN  
 SIGMA NU FRATERNITY HOUSE  
 UNIVERSITY OF KENTUCKY  
 LEXINGTON KENTUCKY

DRAWN BY	MECHANICAL	DATE
TRACED BY	GILLIG • CHRISMAN & MILLER	SCALE
CHECKED BY	ARCHITECTS ASSOCIATED 180 WALNUT STREET LEXINGTON, KENTUCKY	SPEC. NO.
REVISIONS	COMMONWEALTH OF KENTUCKY DEPARTMENT OF FINANCE ENGINEERING STAFF FRANKFORT KENTUCKY	DRAWING NO. <b>H-6</b>
APPROVED BY	<i>George B. Darneil</i> REGISTERED PROFESSIONAL ENGINEER	DATE 5-3-63
APPROVED BY	<i>Keith Ashby</i> CHIEF OF STAFF	DATE 5-24-63

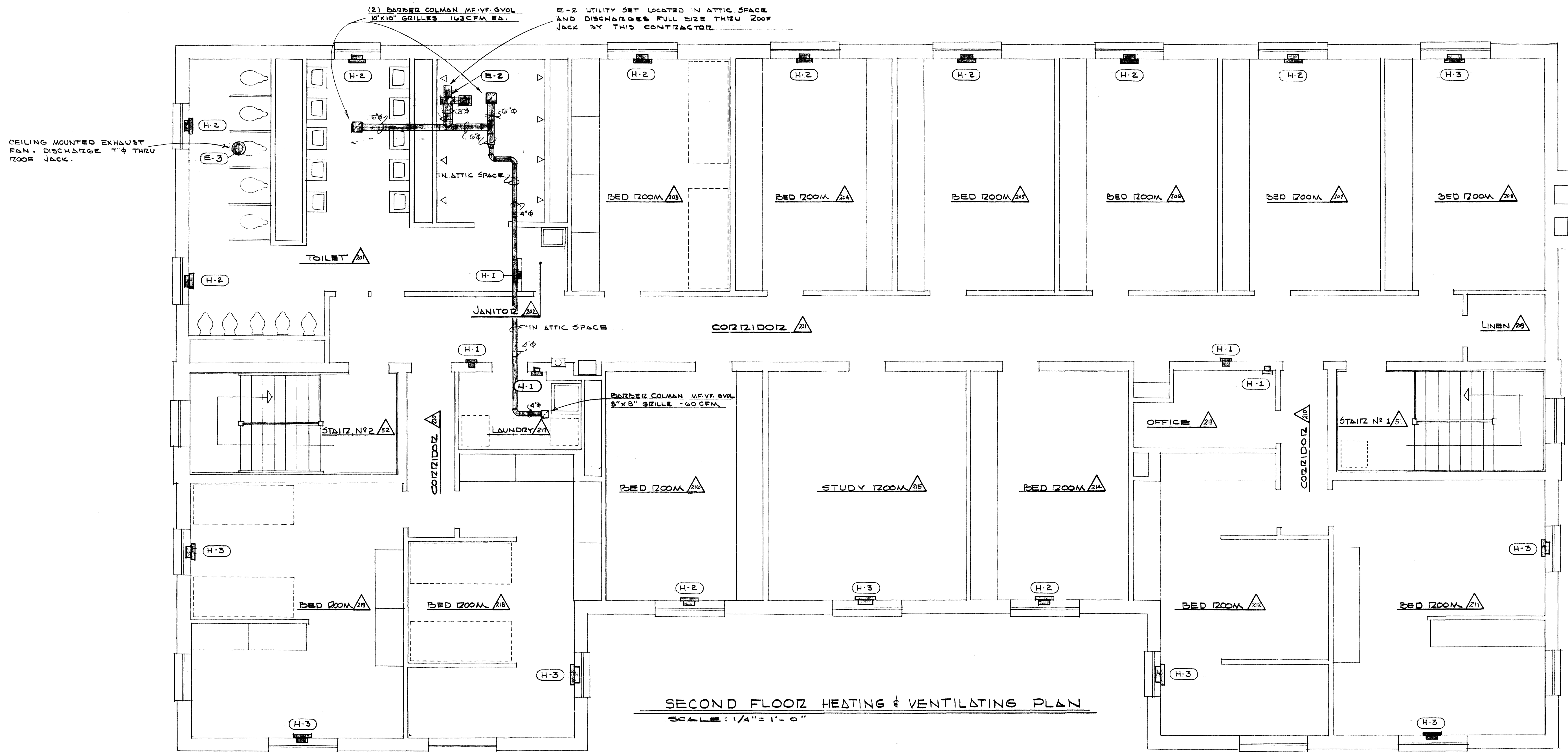
HUGH DILLEHAY  
*And Associates*  
 Consulting Engineers  
 LEXINGTON, KENTUCKY



JOB NO.	DESIGNED BY	DRAWN BY	CHECKED BY	DATE
6521	CORJETT	CORJETT	H.A.S.B.U.	5/2/63

U-2928

121 Stor B-2 Document # 008081



SECOND FLOOR HEATING & VENTILATING PLAN  
SCALE: 1/4" = 1'-0"

ALTERNATE		
SECOND FLOOR HEATING & VENTILATING PLAN		
SIGMA NU FRATERNITY HOUSE UNIVERSITY OF KENTUCKY LEXINGTON KENTUCKY		
DRAWN BY	MECHANICAL	DATE
TRACED BY	GILLIG • CHRISMAN & MILLER ARCHITECTS ASSOCIATED 180 WALNUT STREET LEXINGTON, KENTUCKY	SCALE
CHECKED BY		SPEC. NO.
REVISIONS	COMMONWEALTH OF KENTUCKY DEPARTMENT OF FINANCE ENGINEERING STAFF FRANKFORT KENTUCKY	DRAWING NO. <b>H-7</b>
APPROVED BY	<i>George W. Kavanagh</i> AGENCY HEAD	DATE 5-3-63
APPROVED BY	<i>Keith Ashby</i> CHIEF OF STAFF	DATE 5-24-63

**HUGH DILLEHAY**  
And Associates  
Consulting Engineers  
LEXINGTON, KENTUCKY

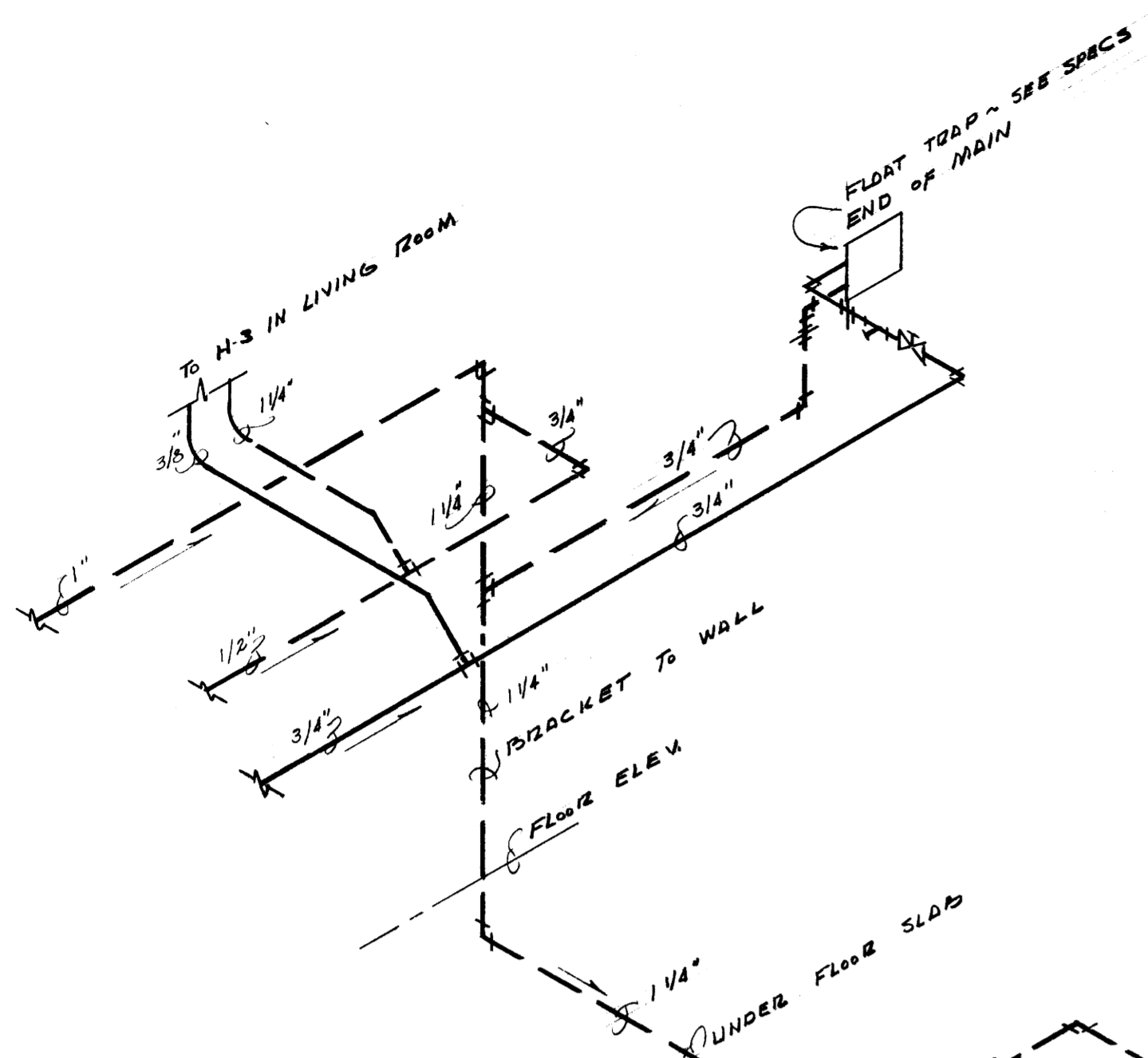
STATE OF KENTUCKY  
HUGH D. DILLEHAY  
2886  
REGISTERED PROFESSIONAL ENGINEER

STATE OF KENTUCKY  
KENNETH H. DARNELL  
4489  
REGISTERED PROFESSIONAL ENGINEER

JOB NO. DESIGNED BY COLN/MT DRAWN BY COLN/MT CHECKED BY H.D.D./S.H. DATE 5/2/63

U-2929

121  
 B-2  
 000002  
 Document #

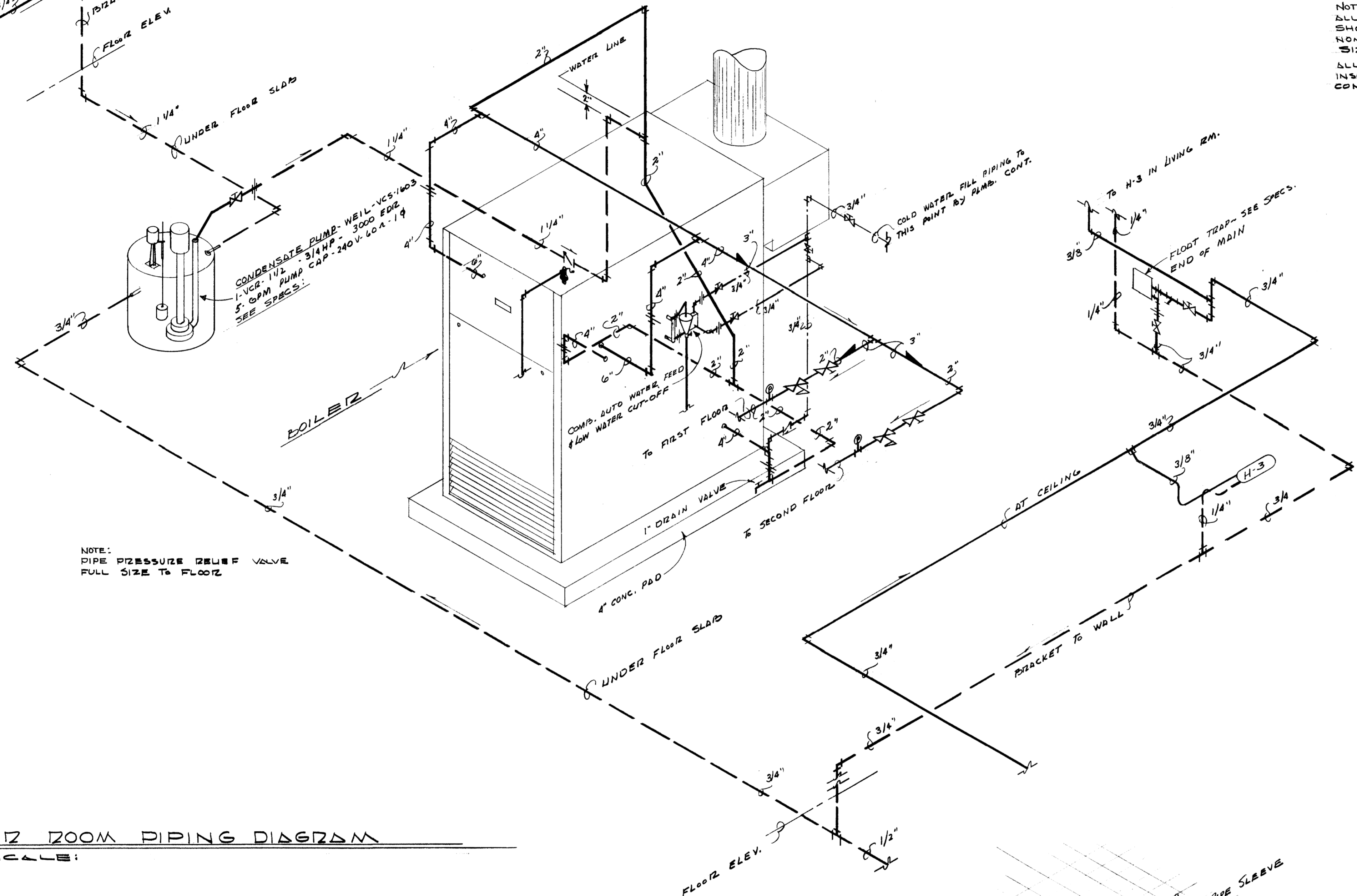


FAN NO.	MANUFACTURER	MODEL	CFM	SP	RPM	HP	ELECT. CHAR.	MOUNTING	DUCT SIZE AT FAN
E-1	JENN-AIR	148CW	1730	1/4"	860	1/4	115V-60A-1Φ	WALL	20" X 26"
E-2	ILG	D-15	460	1/4"	855	1/12	115V-60A-1Φ	ATTIC	SEE PLANS
E-3	ILG	8136	350	0"	/	/	115V-60A-1Φ	CEILING	8" Φ
E-4	JENN-AIR	71CW	130	1/8"	1350	1/25	115V-60A-1Φ	WALL	8" X 8"

NOTE:  
FANS SHALL BE COMPLETE WITH BACKDRAFT DAMPER, BIRDSCREEN AND DISCONNECT TOOP JACKS SHALL BE FURNISHED AS NOTED ON PLAN

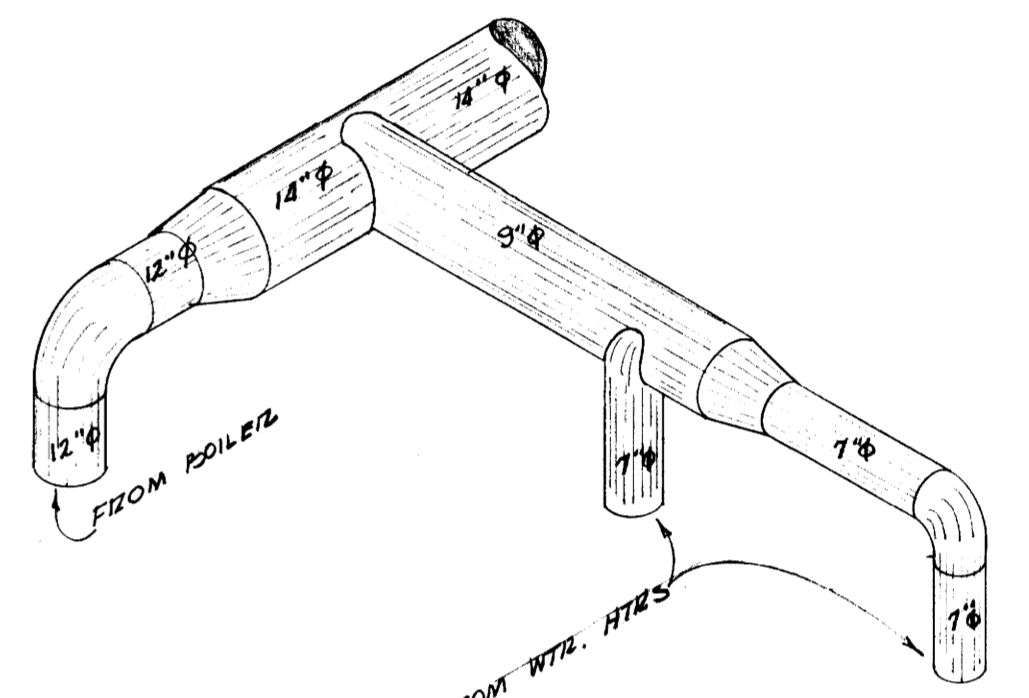
HEATER NO.	MANUFACTURER	TYPE	MODEL NO.	HEATING CAP BTUH	CFM	STEAM P.S.I.	VENT. DIA.
H-1	IRON-FIREMAN	SELECTEMP	H-6	4900	60	6 PSI	6 5/8"
H-2	IRON-FIREMAN	SELECTEMP	H-12	9700	120	6 PSI	6 5/8"
H-3	IRON-FIREMAN	SELECTEMP	H-18	14,600	180	6 PSI	6 5/8"

NOTE:  
ALL SUPPLY & RETURN TUBE SIZES SHOWN ON THE DRAWINGS ARE NOMINAL IPS. & NOT OD TUBE SIZE.  
ALL UNDER SLAB TUBE SHALL BE INSULATED AND RUN IN 4" VC. PIPE CONDUIT

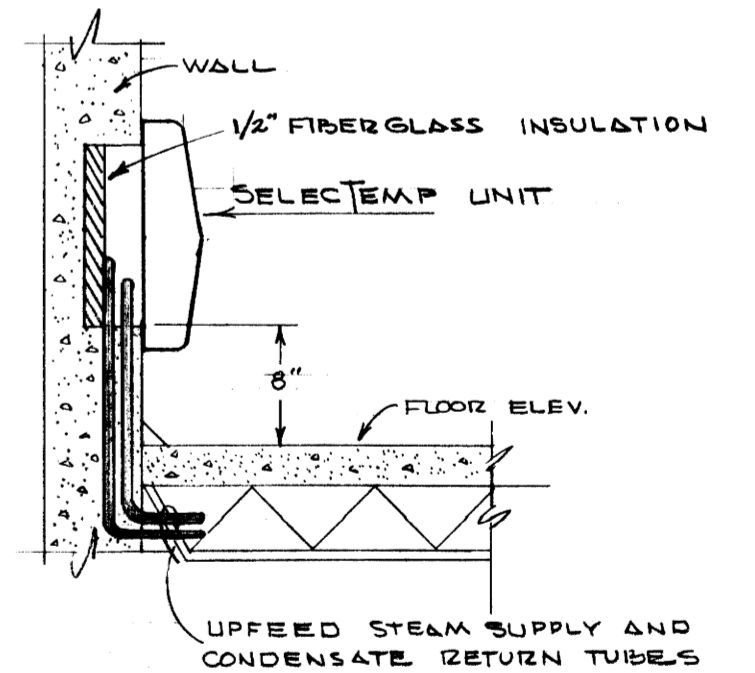


NOTE:  
PIPE PRESSURE RELIEF VALVE FULL SIZE TO FLOOR

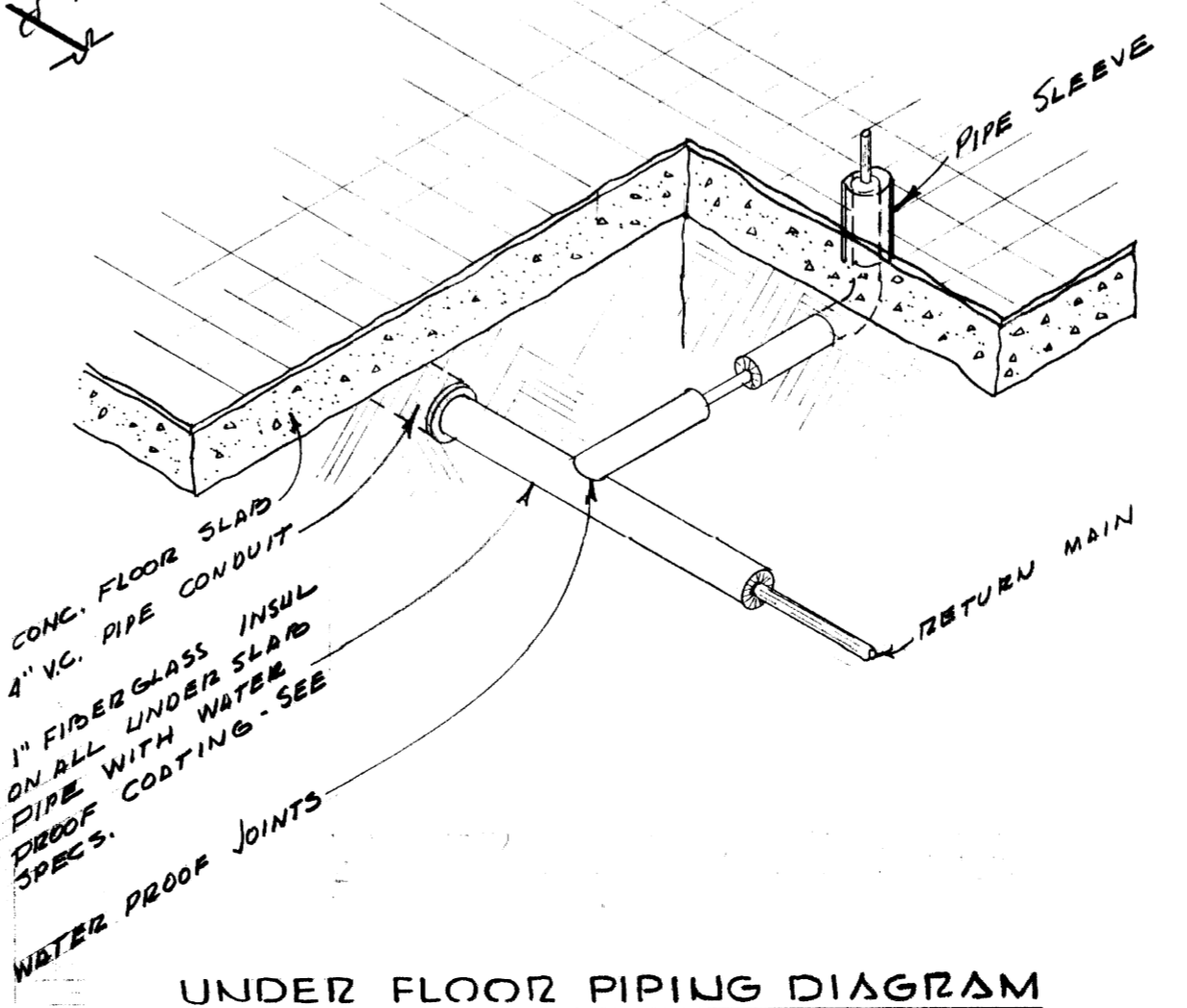
BOILER ROOM PIPING DIAGRAM  
NO SCALE



BREECHING DIAGRAM  
NO SCALE



HEATING UNIT CONNECTION DIAGRAM  
NO SCALE



UNDER FLOOR PIPING DIAGRAM  
NO SCALE

LEGEND	
	STEAM HEATING SUPPLY PIPING
	CONDENSATE RETURN PIPING
	C.W. FILL PIPING
	END OF MAIN
	GATE VALVE
	CHECK VALVE
	UNION
	STRAINER
	PRESSURE REGULATING VALVE
	ECCENTRIC REDUCER
	PRESSURE GAUGE

HUGH DILLEHAY  
And Associates  
Consulting Engineers  
LEXINGTON, KENTUCKY

STATE OF KENTUCKY  
HUGH D. DILLEHAY  
2886  
REGISTERED PROFESSIONAL ENGINEER

STATE OF KENTUCKY  
KENNETH H. DARR-ELL  
4499  
REGISTERED PROFESSIONAL ENGINEER

ALTERNATE

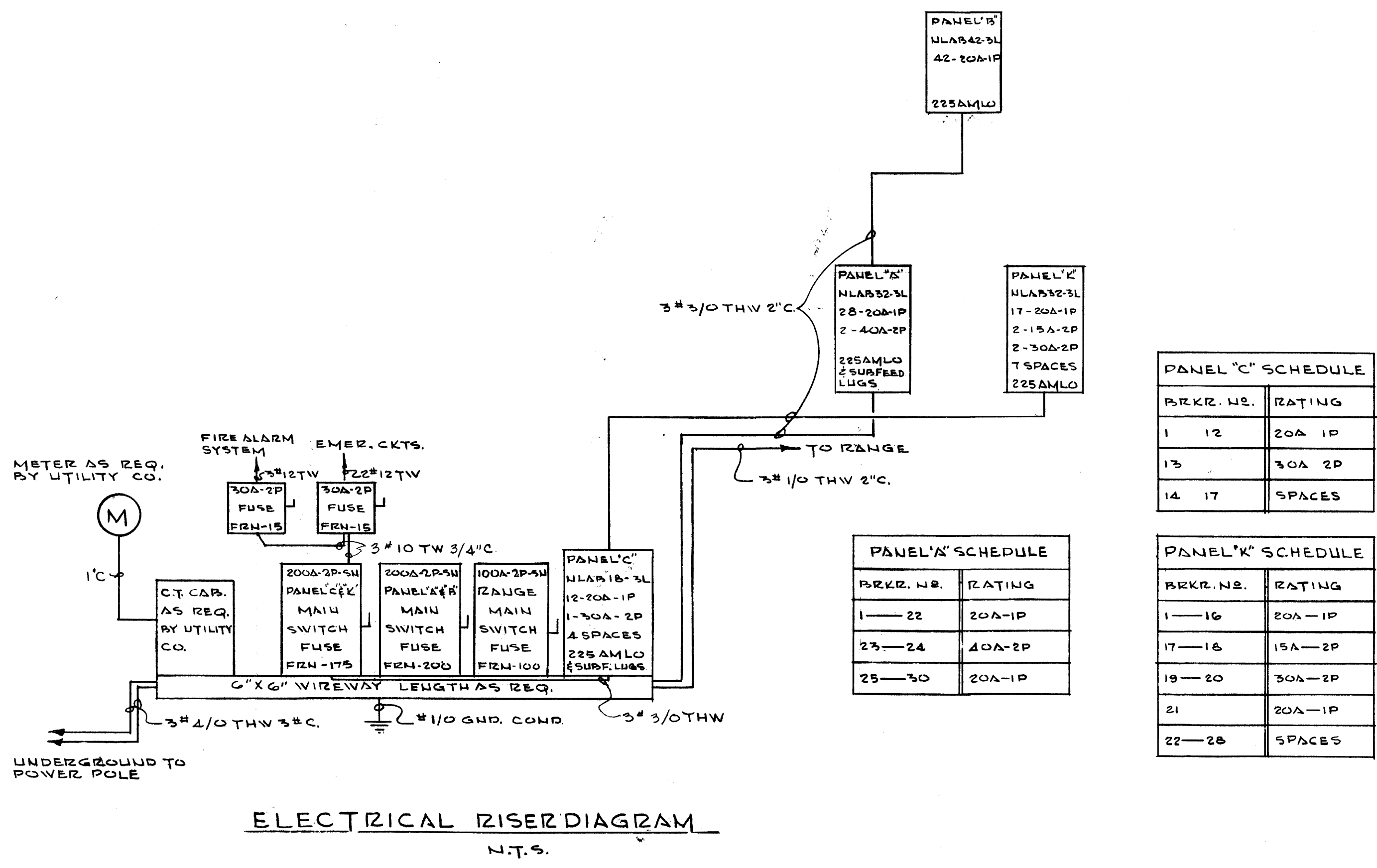
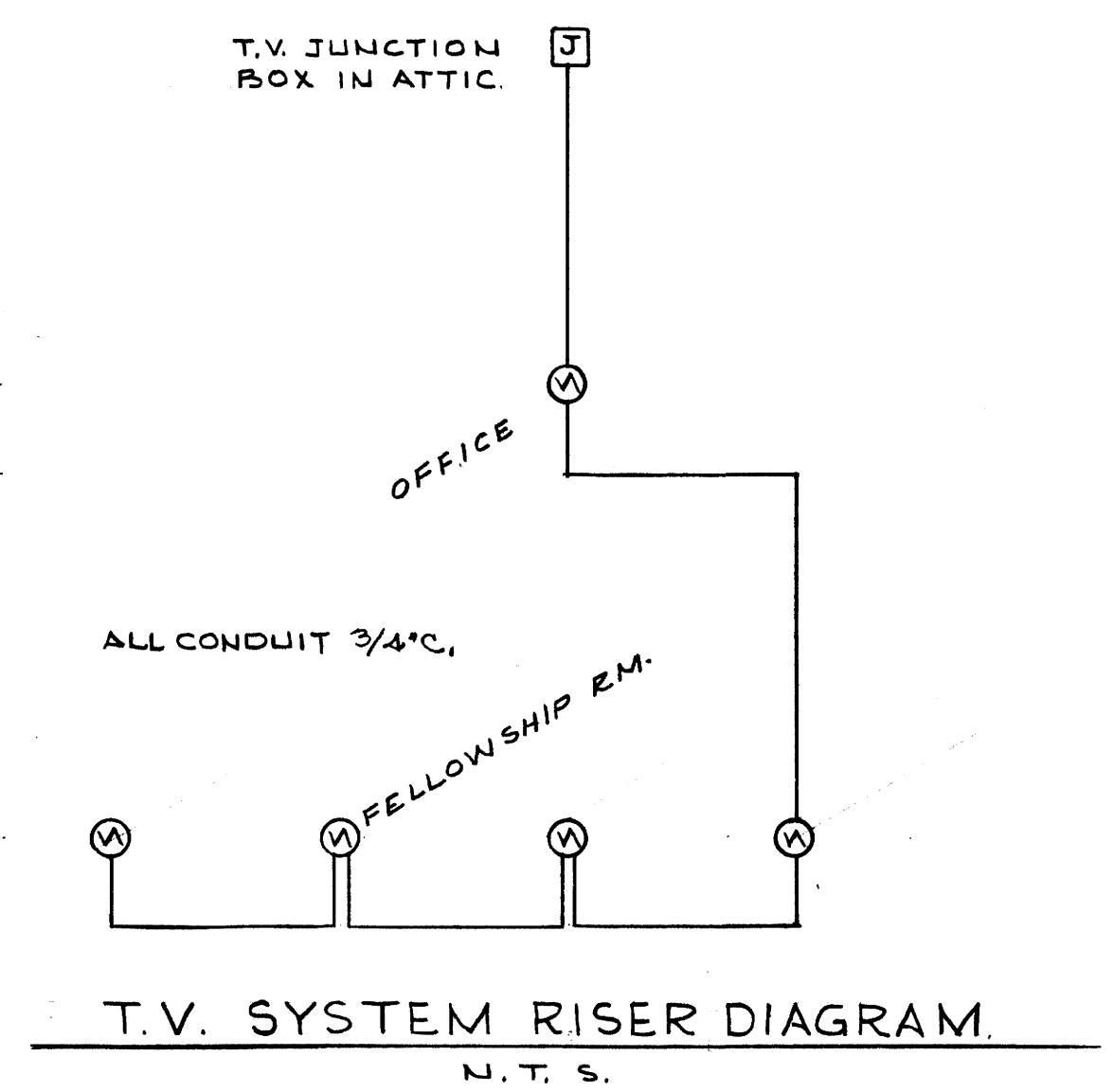
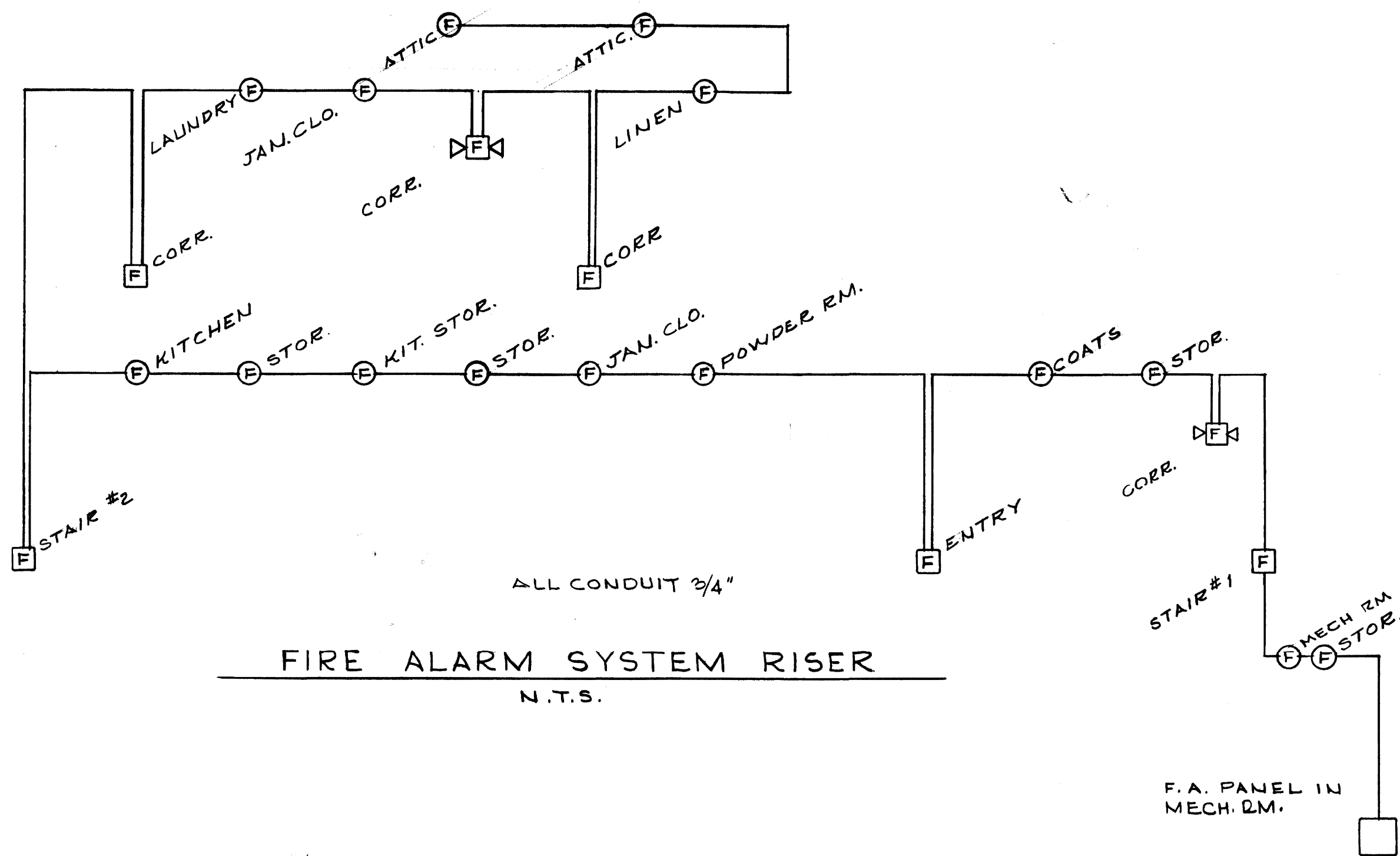
HEATING & VENTILATING DETAILS

SIGMA NU FRATERNITY HOUSE  
UNIVERSITY OF KENTUCKY  
LEXINGTON, KENTUCKY

DRAWN BY	MECHANICAL	DATE
TRACED BY	GILLIG • CHRISMAN & MILLER	SCALE
CHECKED BY	ARCHITECTS ASSOCIATED 180 WALNUT STREET LEXINGTON, KENTUCKY	SPEC. NO.
REVISIONS	COMMONWEALTH OF KENTUCKY DEPARTMENT OF FINANCE ENGINEERING STAFF FRANKFORT, KENTUCKY	DRAWING NO.
APPROVED BY	GEORGE B. BAYNE, JR. AGENCY HEAD	DATE 5-24-63
APPROVED BY	Keith Ashby CHIEF OF STAFF	DATE 5-24-63

H.S.

U-2930

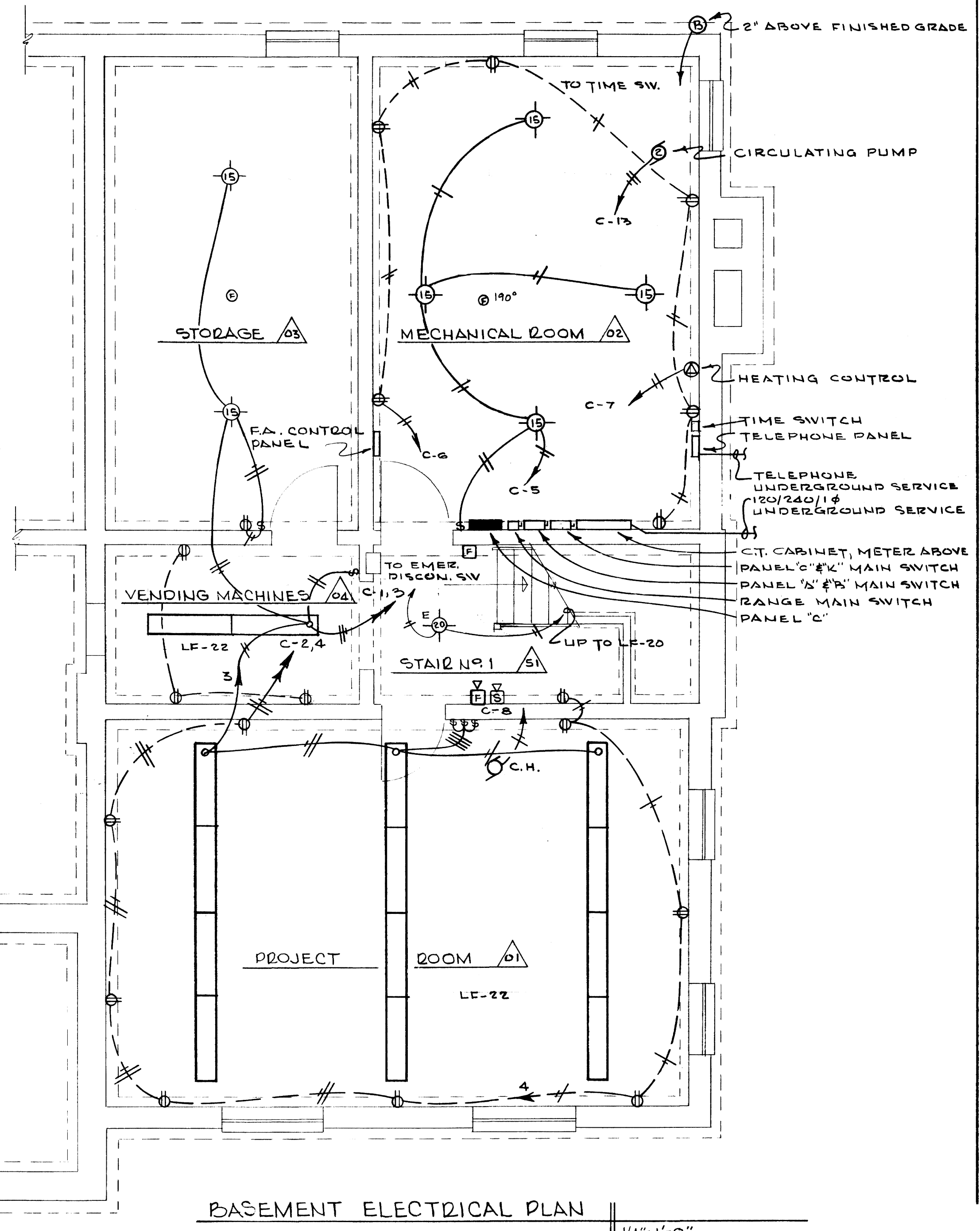


ELECTRICAL SYMBOLS	
[Symbol]	FLUORESCENT LIGHT FIXTURE
[Symbol]	CEILING LIGHT FIXTURE
[Symbol]	WALL BRACKET LIGHT
[Symbol]	EXIT LIGHT
[Symbol]	RECESSED LIGHT FIXTURE
[Symbol]	CONVENIENCE OUTLET (DUPLEX)
[Symbol]	30 AMP. OUTLET
[Symbol]	SPECIAL PURPOSE OUTLET
[Symbol]	ELECTRICAL PANEL
[Symbol]	FIRE ALARM HORN
[Symbol]	BREAK GLASS STATION
[Symbol]	HEAT DETECTOR
[Symbol]	T.V. OUTLET
[Symbol]	INTERCOM SPEAKER
[Symbol]	INTERCOM MASTER UNIT
[Symbol]	TELEPHONE OUTLET
[Symbol]	CONDUIT IN WALL OR CEILING
[Symbol]	CONDUIT IN FLOOR OR SLAB
[Symbol]	SWITCHES: SINGLE, 3-WAY, 4-WAY, ETC.
[Symbol]	BLANKED OUTLET
[Symbol]	CHIME

PANEL 'C' SCHEDULE		
BRKR. NO.	RATING	
1	12	20A 1P
13		30A 2P
14	17	SPACES

PANEL 'A' SCHEDULE		
BRKR. NO.	RATING	
1	22	20A-1P
23	24	40A-2P
25	30	20A-1P

LIGHT FIXTURE SCHEDULE		
LF -	DESCRIPTION	
LF-1	UL US. 1758 BLACK COPPER WITH 1-200 WATT	
LF-2	MANNING N.S. CPI-549-1GL ANTIQUE ROMAN GOLD, WHITE OPAL GLASS WITH 3-60 WATT	
LF-3	MANNING N.S. COI-603-1GL ANTIQUE ROMAN GOLD, WHITE OPAL GLASS WITH 3-60 WATT	
LF-4	NL N.S. CH-559 ANTIQUE GOLD, WHITE OPAL GL. W/ 1-100W	
LF-5	NL N.S. CH-137 BLACK COPPER WITH 1-100W WATT	
LF-6	CHARLES PARKER N.S. 7010 HFL MEDICINE CABINET	
LF-7	NL N.S. CH-171 ANTIQUE GOLD, WHITE OPAL GL. W/ 2-60W	
LF-8	LITECRAFT N.S. A111 WITH 1-500 SB	
LF-9	MOE N.S. M-4039 WITH 4-40W	
LF-10	PRESCOLITE N.S. CFX-10 WITH 1-75 WATT	
LF-11	ART METAL N.S. 3137 WITH 1-75 WATT	
LF-12	NUTONE NO. 900N HEATA-LITE WITH 1-100 WATT	
LF-13	SUNBEAM N.S. 202-4825 WITH 2-F40T12	
LF-14	PRESCOLITE N.S. 508 (10" A.O.L.) WITH 1-150W WATT	
LF-15	PORCELAIN N.S. AL-2007-ND WITH 1-100W WATT	
LF-16	SUNBEAM PA2801-4825 WITH 1-F40T12/WV	
LF-17	ART METAL 2686 WITH 1-75 WATT	
LF-18	SUNBEAM N.S. QPCX 7401 WITH 1-F40T12/WV	
LF-19	LITECRAFT N.S. FG-28W WITH 1-100 WATT	
LF-20	PRESCOLITE N.S. VB 2-2 (GRAY) WITH 2-60W WATT	
LF-21	SUNBEAM N.S. QPCX 7402 WITH 2-F40T12/WV	
LF-22	SUNBEAM N.S. QPCX 7402 WITH 2-F40T12/WV	
LF-23	SUNBEAM PA2801-9625 (2) TW WITH 2-F40T12/WV	
LF-24	STERER N.S. S-5002 WITH 2-150 PAR 38/SP	
LF-25	ALKCO N.S. 322H WITH 1-20W/TS	
LF-26	LITECRAFT DB40 WITH 1-75 WATT	
LF-27	MOE M-746-1 WITH 2-60 WATT	
X-1	MILLER N.S. SB1100 WITH 4-7CT	
X-2	MILLER N.S. SB1100 WITH 4-7CT	



NOTE: BOTTOM OF BOXES FOR CONVENIENCE OUTLETS IN BASEMENT TO BE 4" ABOVE FLOOR (I.E., ON TOP OF POURED CONCRETE FOUNDATION WALL)

BASEMENT ELECTRICAL PLAN			
SIGMA NU FRATERNITY HOUSE UNIVERSITY OF KENTUCKY LEXINGTON KENTUCKY			
DRAWN BY	ELECTRICAL	DATE	
TRACED BY	GILLIG • CHRISMAN & MILLER	SCALE	
CHECKED BY	ARCHITECTS ASSOCIATED 130 WALNUT STREET LEXINGTON, KENTUCKY	SPEC. NO.	
REVISIONS	COMMONWEALTH OF KENTUCKY DEPARTMENT OF FINANCE ENGINEERING STAFF FRANKFORT KENTUCKY	DRAWING NO.	11-1
APPROVED BY	<i>[Signature]</i>	DATE	5-3-63
APPROVED BY	<i>[Signature]</i>	DATE	5-24-63

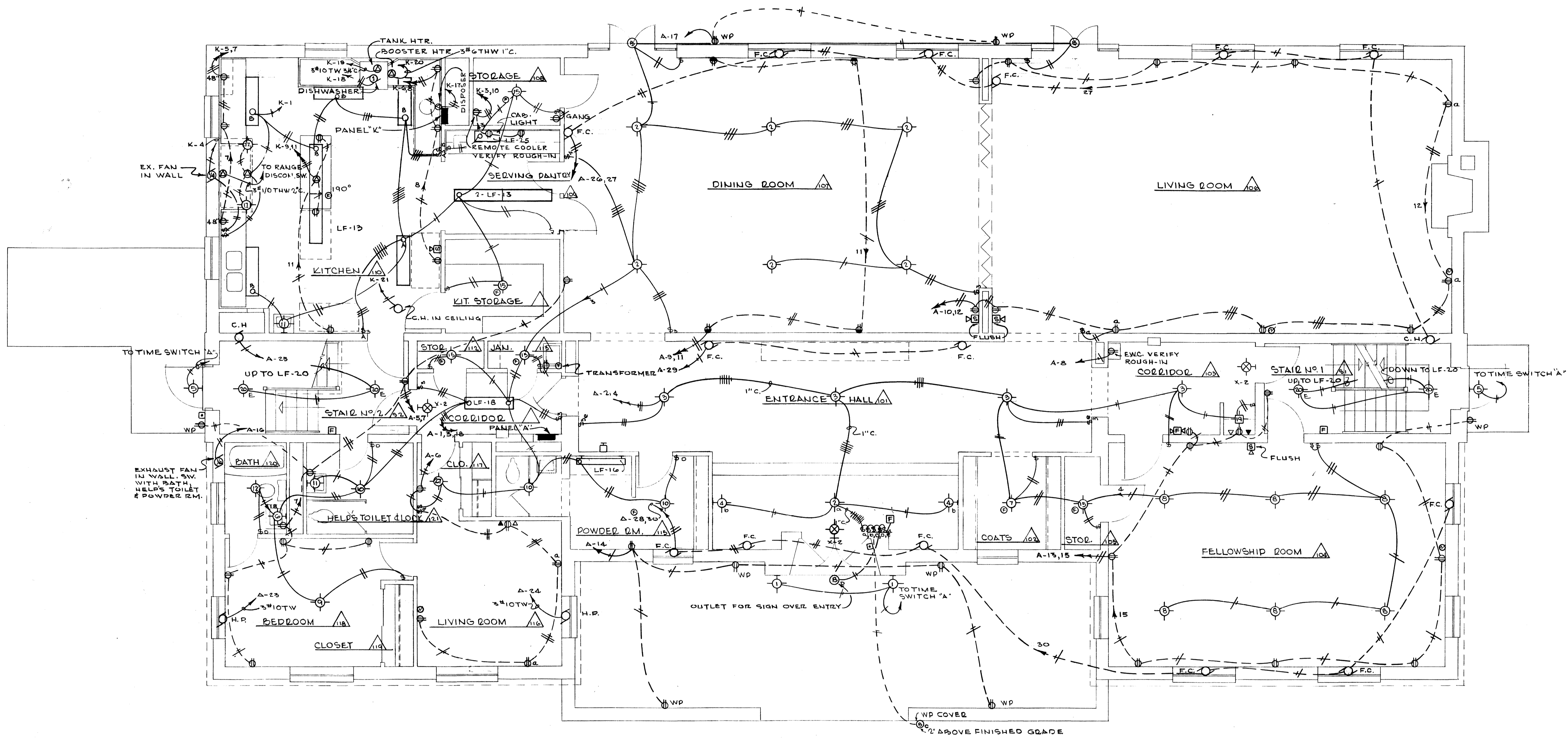
HUGH DILLEHAY And Associates Consulting Engineers LEXINGTON, KENTUCKY

HUGH D. DILLEHAY 2886 REGISTERED PROFESSIONAL ENGINEER

KENTON H. DANIELL 4499 REGISTERED PROFESSIONAL ENGINEER

JOB NO. 6321 DESIGNED BY G.E. DRAWN BY B.D.K.C.T. CHECKED BY T.H.D. DATE MAY 2, 63

4-2401



FIRST FLOOR ELECTRICAL PLAN 1/4"=1'-0"

FIRST FLOOR ELECTRICAL PLAN	
SIGMA NU FRATERNITY HOUSE UNIVERSITY OF KENTUCKY LEXINGTON KENTUCKY	
DRAWN BY ELECTRICAL	DATE MAY 2, 1963
TRACED BY GILLIG • CHRISMAN & MILLER ARCHITECTS ASSOCIATED 180 WALNUT STREET LEXINGTON, KENTUCKY	SCALE SPEC. NO.
REVISIONS	DRAWING NO. 17-2
APPROVED BY <i>[Signature]</i> AGENCY HEAD	DATE 5-3-63
APPROVED BY <i>[Signature]</i> CHIEF OF STAFF	DATE 5-24-63

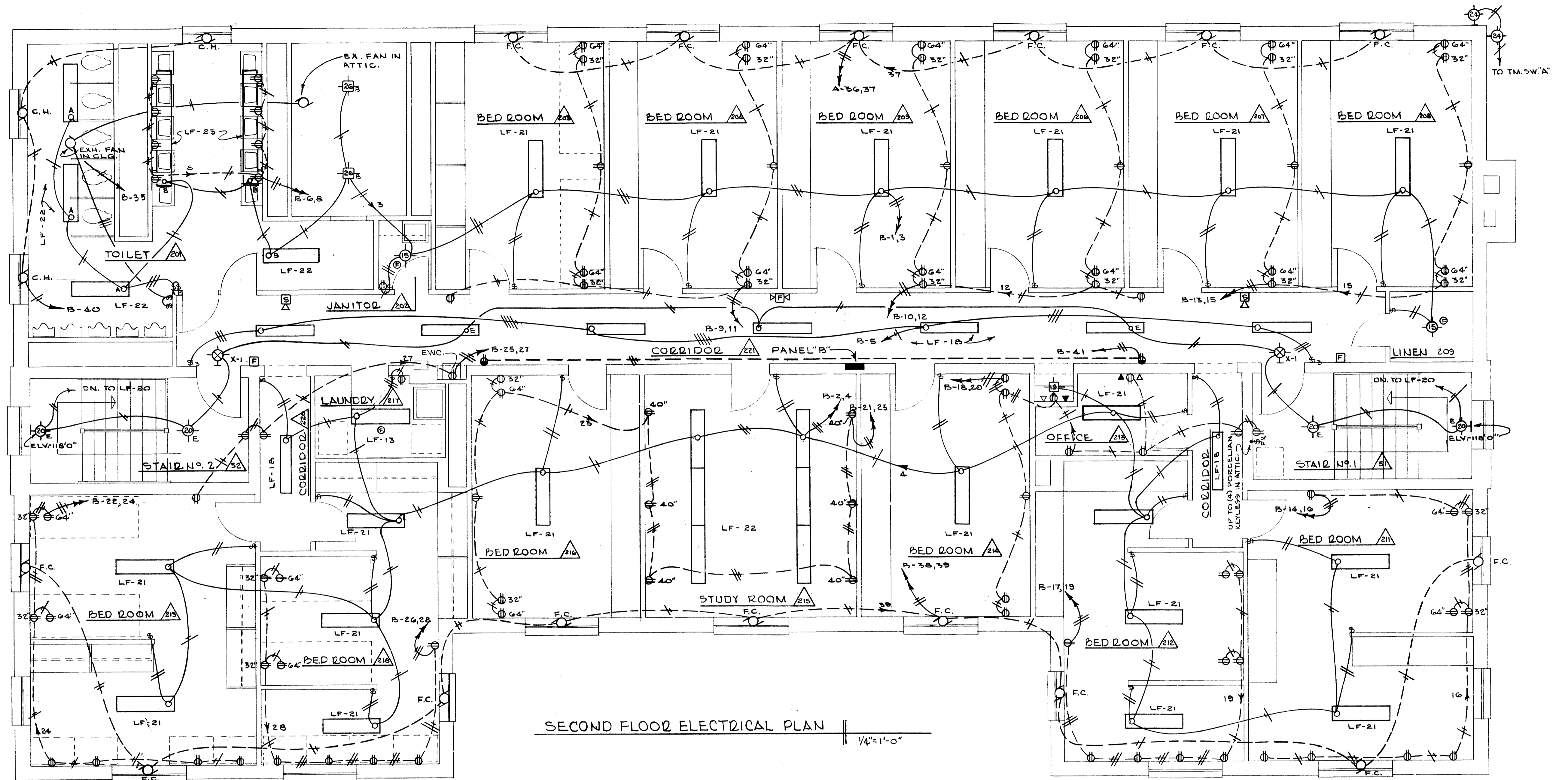
HUGH DILLEHAY  
And Associates  
Consulting Engineers  
LEXINGTON, KENTUCKY

STATE OF KENTUCKY  
HUGH D. DILLEHAY  
2899  
REGISTERED PROFESSIONAL ENGINEER

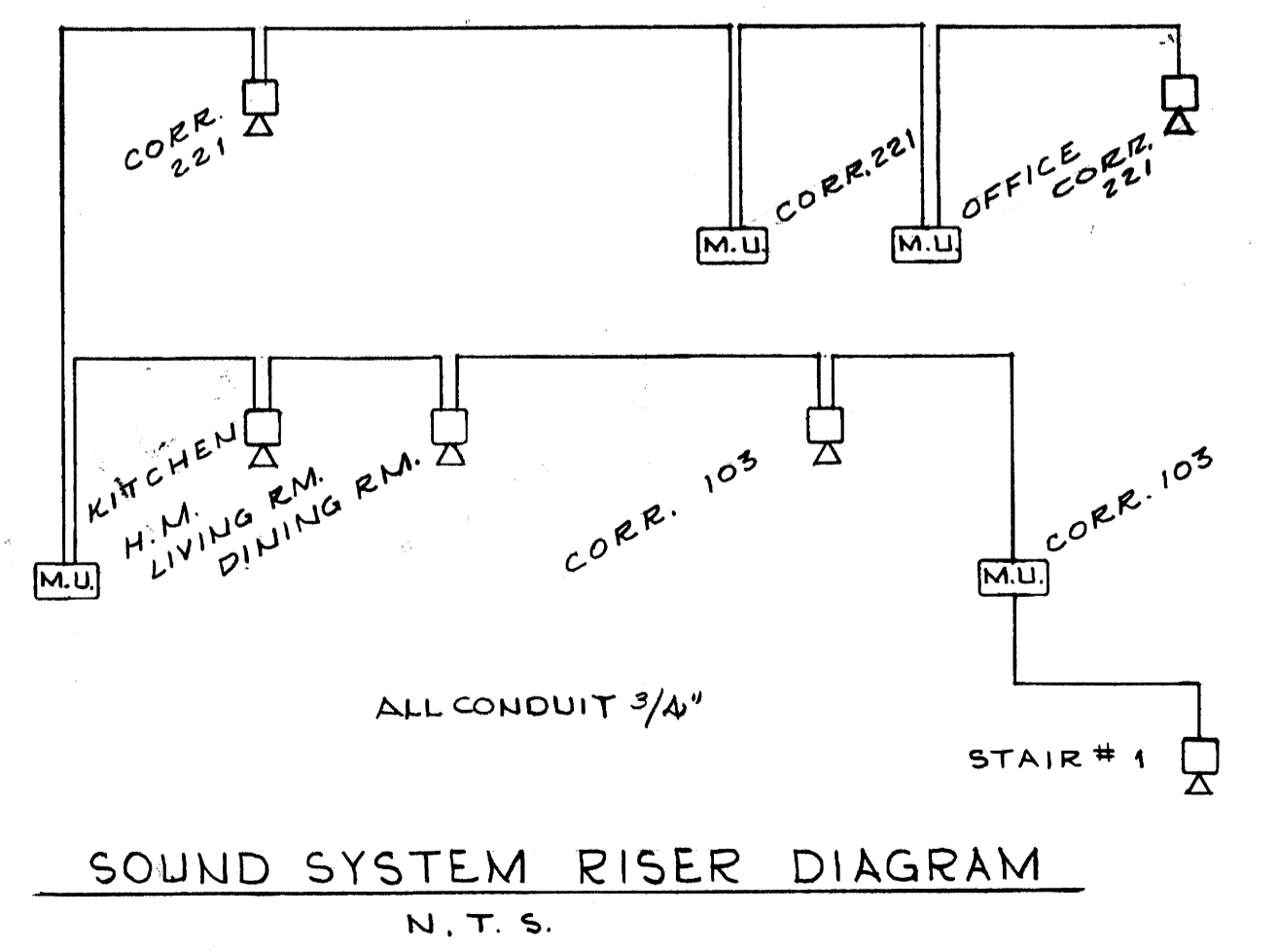
STATE OF KENTUCKY  
KENNETH H. DABIELL  
4499  
REGISTERED PROFESSIONAL ENGINEER

J.S. NO. 6321 DESIGNED BY G.E. DRAWN BY L.T. & B.D. CHECKED BY *[Signature]* DATE MAY 2, 1963

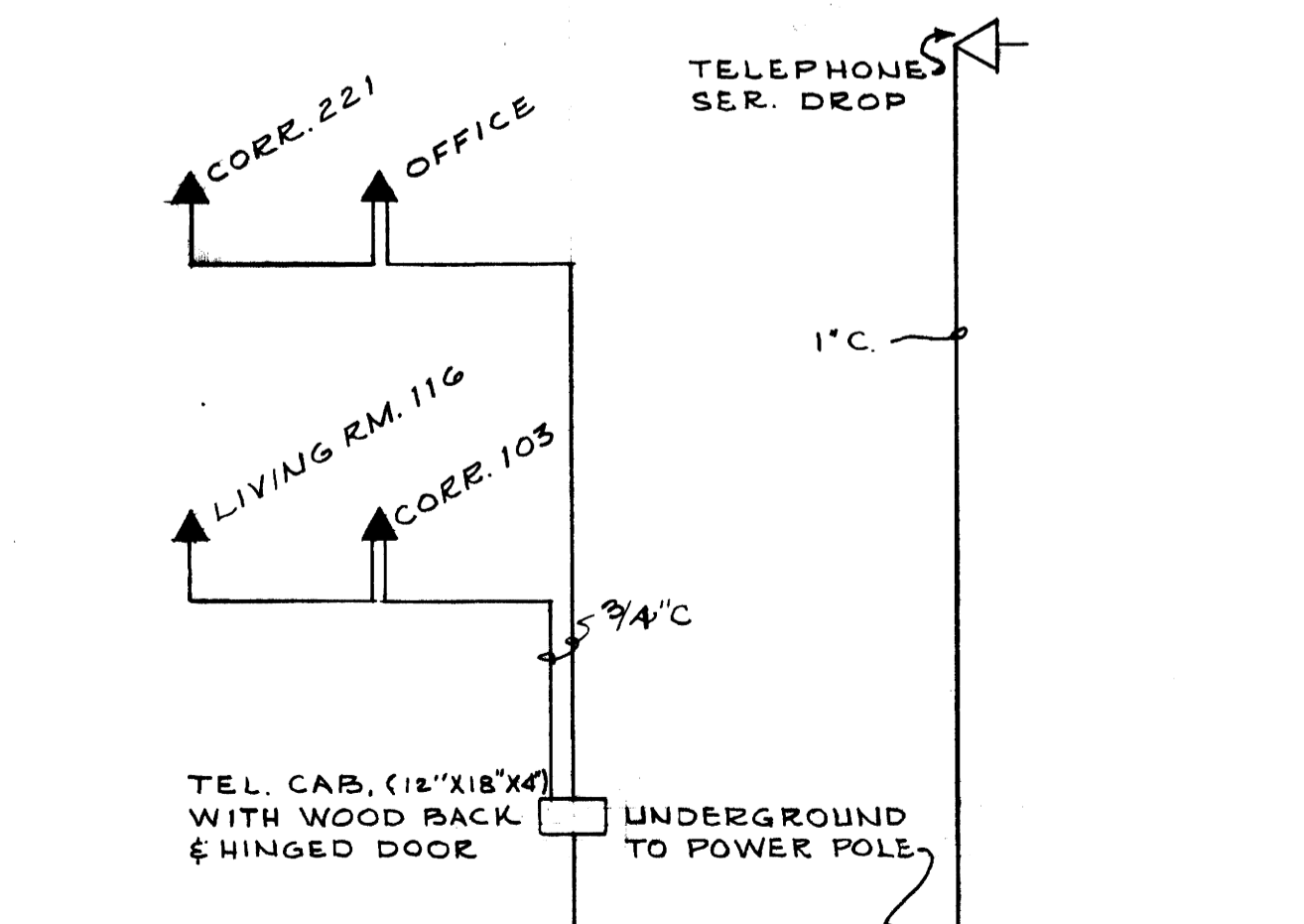
U-2402



SECOND FLOOR ELECTRICAL PLAN  
1/4" = 1'-0"



SOUND SYSTEM RISER DIAGRAM  
N. T. S.



TELEPHONE SYSTEM RISER DIAGRAM  
N. T. S.

HUGH DILLEHAY  
And Associates  
Consulting Engineers  
LEXINGTON, KENTUCKY

STATE OF KENTUCKY  
HUGH D. DILLEHAY  
2886  
REGISTERED PROFESSIONAL ENGINEER

STATE OF KENTUCKY  
KENNETH H. DILLON  
4499  
REGISTERED PROFESSIONAL ENGINEER

JOB NO. G-221  
DESIGNED BY G.E.  
DRAWN BY B.O.K.C.T.  
CHECKED BY J.H.D.  
DATE MAY 2, 1963

SECOND FLOOR ELECTRICAL PLAN			
SIGMA NU FRATERNITY HOUSE UNIVERSITY OF KENTUCKY LEXINGTON, KENTUCKY			
DRAWN BY	ELECTRICAL	DATE	
TRACED BY	GILLIG • CHRISMAN & MILLER	SCALE	
CHECKED BY	ARCHITECTS ASSOCIATED 180 WALNUT STREET LEXINGTON, KENTUCKY	SPEC. NO.	
REVISIONS	COMMONWEALTH OF KENTUCKY DEPARTMENT OF FINANCE ENGINEERING STAFF FRANKFORT, KENTUCKY	DRAWING NO.	11-3
APPROVED BY	<i>George K... ..</i> AGENCY HEAD	DATE	5-3-63
APPROVED BY	<i>Keith... ..</i> CHIEF OF STAFF	DATE	5-24-63

4-2403

Document # 000886  
 Sheet B-2  
 121