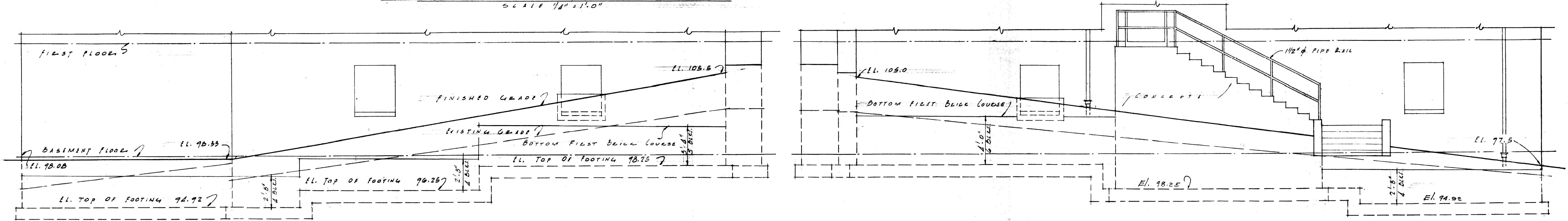


FRONT ELEVATION - HOUSE No. 5
SCALE: 1/4" = 1'-0"

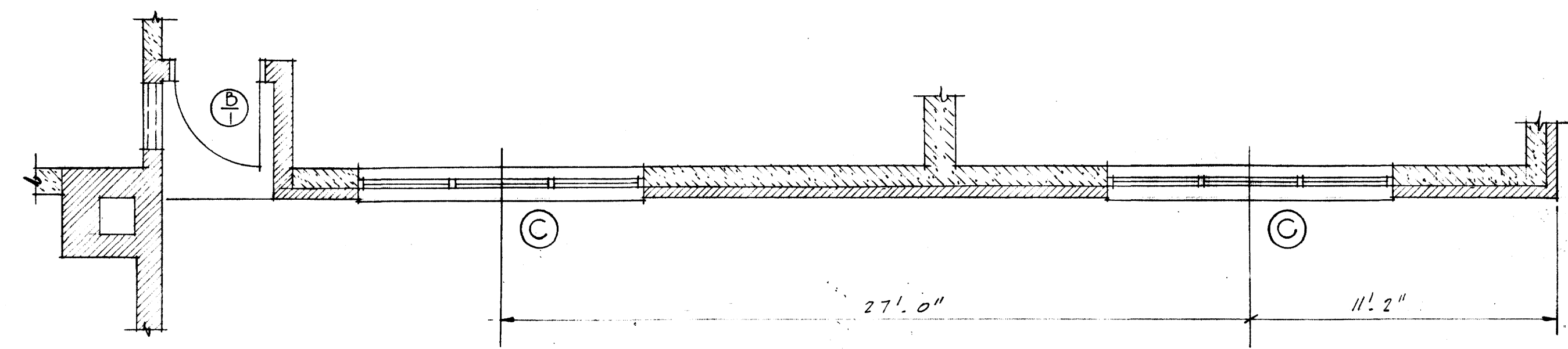


LEFT SIDE ELEVATION - HOUSE No. 5
SCALE: 1/4" = 1'-0"

RIGHT SIDE ELEVATION - HOUSE No. 5
SCALE: 1/4" = 1'-0"



REAR ELEVATION - HOUSE No. 5
SCALE: 1/4" = 1'-0"



PART BASMENT PLAN - HOUSE No. 5
SCALE: 1/4" = 1'-0"

HOUSE No. 5

SORORITY HOUSES FOR UNIVERSITY OF KENTUCKY	
COMMONWEALTH OF KENTUCKY DEPARTMENT OF FINANCE FRANKFORT, - - KENTUCKY	JOHN T. GILLIG, ARCHITECT ROBERT E. RADER, JR., DESIGNER, ASSOCIATED 180 WALNUT STREET LEXINGTON, KENTUCKY
APPROVALS	
<i>[Signature]</i> DATE 9-12-56	REVISIONS
DATE 9-17-56 CHECKED BY MC	SHEET NO. <div style="font-size: 2em; font-weight: bold; text-align: center;">11B</div>



U-591

Sheet No. 121
 Document # 008128