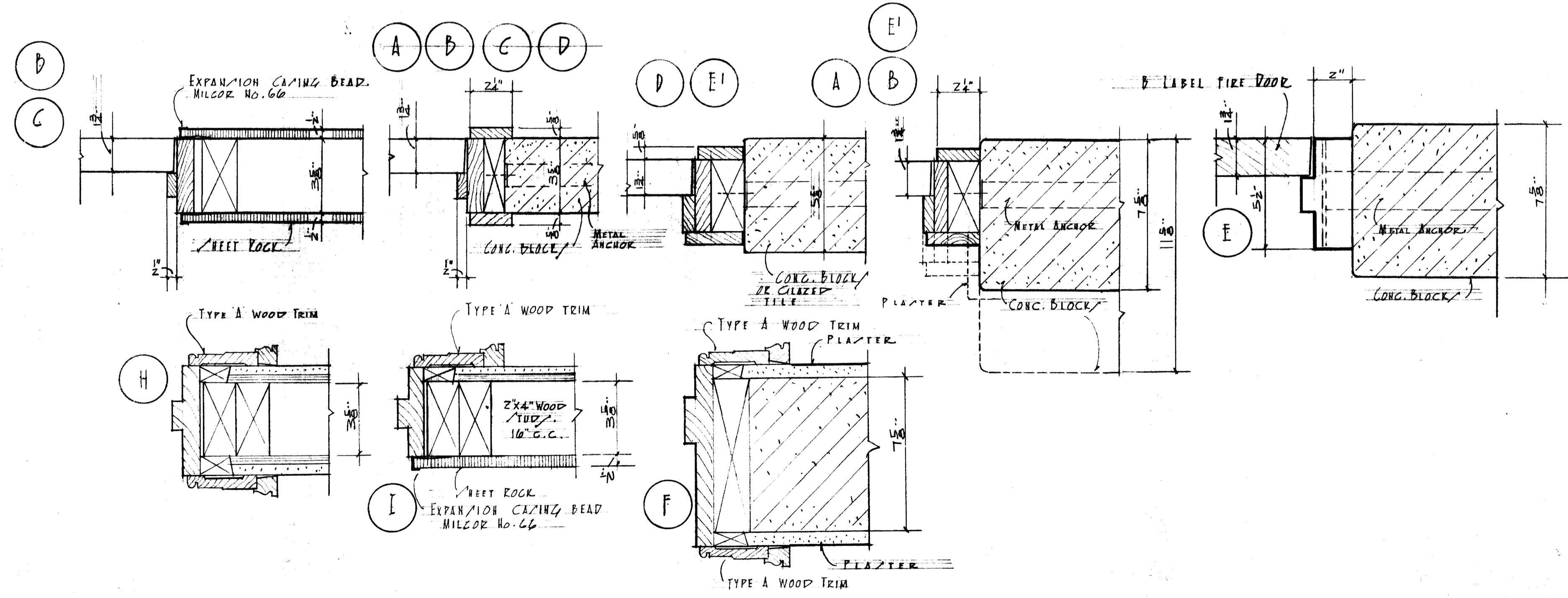


ROOF PLAN SCALE 1/4" = 1'-0"



DETAILS OF ROOF JAMB SCALE 1/4" = 1'-0"

FINISH SCHEDULE TYPE NO. 1 HOUSE		FLOOR	WALL	WAIN/COT	BASE	CEILING
BASEMENT	STAIR HALL No. 2	CONCRETE TILE	GLAZED TILE	GLAZED TILE	GLAZED TILE	GLAZED TILE
	MECHANICAL ROOM	CONCRETE TILE	GLAZED TILE	GLAZED TILE	GLAZED TILE	GLAZED TILE
	CORRIDOR	CONCRETE TILE	GLAZED TILE	GLAZED TILE	GLAZED TILE	GLAZED TILE
	LAUNDRY	CONCRETE TILE	GLAZED TILE	GLAZED TILE	GLAZED TILE	GLAZED TILE
	MAID'S ROOM	CONCRETE TILE	GLAZED TILE	GLAZED TILE	GLAZED TILE	GLAZED TILE
	MAID'S TOILET	CONCRETE TILE	GLAZED TILE	GLAZED TILE	GLAZED TILE	GLAZED TILE
	CLOSET	CONCRETE TILE	GLAZED TILE	GLAZED TILE	GLAZED TILE	GLAZED TILE
	MEN'S ROOM	CONCRETE TILE	GLAZED TILE	GLAZED TILE	GLAZED TILE	GLAZED TILE
	STORAGE RM. No. 1	CONCRETE TILE	GLAZED TILE	GLAZED TILE	GLAZED TILE	GLAZED TILE
	STORAGE RM. No. 2	CONCRETE TILE	GLAZED TILE	GLAZED TILE	GLAZED TILE	GLAZED TILE
	LOUNGE	CONCRETE TILE	GLAZED TILE	GLAZED TILE	GLAZED TILE	GLAZED TILE
	FOYER (STAIR No. 1)	CONCRETE TILE	GLAZED TILE	GLAZED TILE	GLAZED TILE	GLAZED TILE
	UN-ASSIGNED SPACE	CONCRETE TILE	GLAZED TILE	GLAZED TILE	GLAZED TILE	GLAZED TILE
	KITCHEN STORE RM.	CONCRETE TILE	GLAZED TILE	GLAZED TILE	GLAZED TILE	GLAZED TILE
	FIRST FLOOR	RECEPTION HALL	CONCRETE TILE	GLAZED TILE	GLAZED TILE	GLAZED TILE
COAT CLOSET		CONCRETE TILE	GLAZED TILE	GLAZED TILE	GLAZED TILE	GLAZED TILE
TEL. BOOTH		CONCRETE TILE	GLAZED TILE	GLAZED TILE	GLAZED TILE	GLAZED TILE
LIVING ROOM		CONCRETE TILE	GLAZED TILE	GLAZED TILE	GLAZED TILE	GLAZED TILE
DINING ROOM		CONCRETE TILE	GLAZED TILE	GLAZED TILE	GLAZED TILE	GLAZED TILE
HOUSE MOTHER'S LIVING ROOM & CLO.		CONCRETE TILE	GLAZED TILE	GLAZED TILE	GLAZED TILE	GLAZED TILE
" " " " BED ROOM & CLO.		CONCRETE TILE	GLAZED TILE	GLAZED TILE	GLAZED TILE	GLAZED TILE
" " " " BATH ROOM		CONCRETE TILE	GLAZED TILE	GLAZED TILE	GLAZED TILE	GLAZED TILE
GUEST ROOM & CLOSET		CONCRETE TILE	GLAZED TILE	GLAZED TILE	GLAZED TILE	GLAZED TILE
POWDER RM.		CONCRETE TILE	GLAZED TILE	GLAZED TILE	GLAZED TILE	GLAZED TILE
HALL		CONCRETE TILE	GLAZED TILE	GLAZED TILE	GLAZED TILE	GLAZED TILE
VESTIBULE & SERVICE CLO.		CONCRETE TILE	GLAZED TILE	GLAZED TILE	GLAZED TILE	GLAZED TILE
STAIR HALL STAIR No. 2		CONCRETE TILE	GLAZED TILE	GLAZED TILE	GLAZED TILE	GLAZED TILE
KITCHEN		CONCRETE TILE	GLAZED TILE	GLAZED TILE	GLAZED TILE	GLAZED TILE
THIRD FLOOR		FLOOR LOUNGE RM. 204	CONCRETE TILE	GLAZED TILE	GLAZED TILE	GLAZED TILE
	CORRIDOR 200	CONCRETE TILE	GLAZED TILE	GLAZED TILE	GLAZED TILE	GLAZED TILE
	STAIR HALL STAIR No. 1	CONCRETE TILE	GLAZED TILE	GLAZED TILE	GLAZED TILE	GLAZED TILE
	STAIR HALL STAIR No. 2	CONCRETE TILE	GLAZED TILE	GLAZED TILE	GLAZED TILE	GLAZED TILE
	BATH ROOM & TOILET RM.	CONCRETE TILE	GLAZED TILE	GLAZED TILE	GLAZED TILE	GLAZED TILE
	SERVICE CLOSET	CONCRETE TILE	GLAZED TILE	GLAZED TILE	GLAZED TILE	GLAZED TILE
	CLOSET 200A	CONCRETE TILE	GLAZED TILE	GLAZED TILE	GLAZED TILE	GLAZED TILE
	BED ROOM No. 201 TO 203, 205 TO 210	CONCRETE TILE	GLAZED TILE	GLAZED TILE	GLAZED TILE	GLAZED TILE
	TEL. BOOTH	CONCRETE TILE	GLAZED TILE	GLAZED TILE	GLAZED TILE	GLAZED TILE
	FLOOR LOUNGE RM. 304	CONCRETE TILE	GLAZED TILE	GLAZED TILE	GLAZED TILE	GLAZED TILE
	CORRIDOR 300	CONCRETE TILE	GLAZED TILE	GLAZED TILE	GLAZED TILE	GLAZED TILE
	STAIR HALL STAIR No. 1	CONCRETE TILE	GLAZED TILE	GLAZED TILE	GLAZED TILE	GLAZED TILE
	STAIR HALL STAIR No. 2	CONCRETE TILE	GLAZED TILE	GLAZED TILE	GLAZED TILE	GLAZED TILE
	BATH ROOM & TOILET RM.	CONCRETE TILE	GLAZED TILE	GLAZED TILE	GLAZED TILE	GLAZED TILE
	SERVICE CLOSET	CONCRETE TILE	GLAZED TILE	GLAZED TILE	GLAZED TILE	GLAZED TILE
CLOSET 300A	CONCRETE TILE	GLAZED TILE	GLAZED TILE	GLAZED TILE	GLAZED TILE	
BED RM. No. 301 TO 303, 305 TO 310	CONCRETE TILE	GLAZED TILE	GLAZED TILE	GLAZED TILE	GLAZED TILE	
TEL. BOOTH	CONCRETE TILE	GLAZED TILE	GLAZED TILE	GLAZED TILE	GLAZED TILE	

FINISH SCHEDULE ROOF JAMB ROOF PLAN HOUSE NO. 4 TYPE NO. 1

SORORITY HOUSES FOR UNIVERSITY OF KENTUCKY

JOHN T. GILLIG, ARCHITECT
 ROBERT E. RADER, JR., DESIGNER, ASSOCIATED
 180 WALNUT STREET LEXINGTON, KENTUCKY

COMMONWEALTH OF KENTUCKY
 DEPARTMENT OF FINANCE
 FRANKFORT, KENTUCKY

APPROVALS
 [Signature] 9-12-56 DATE
 [Signature] 9-17-56 DATE

DATE SEP 1 1956
 DRAWN BY R.A.
 CHECKED BY M.C.

REVISIONS

RELEASED BY: **6**

