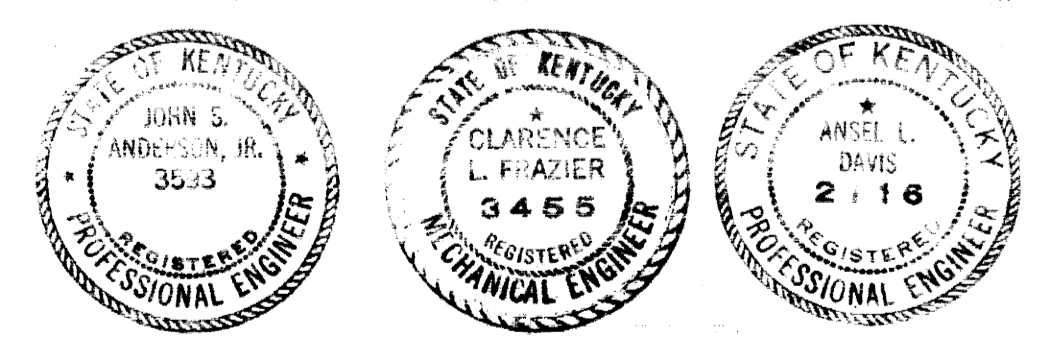


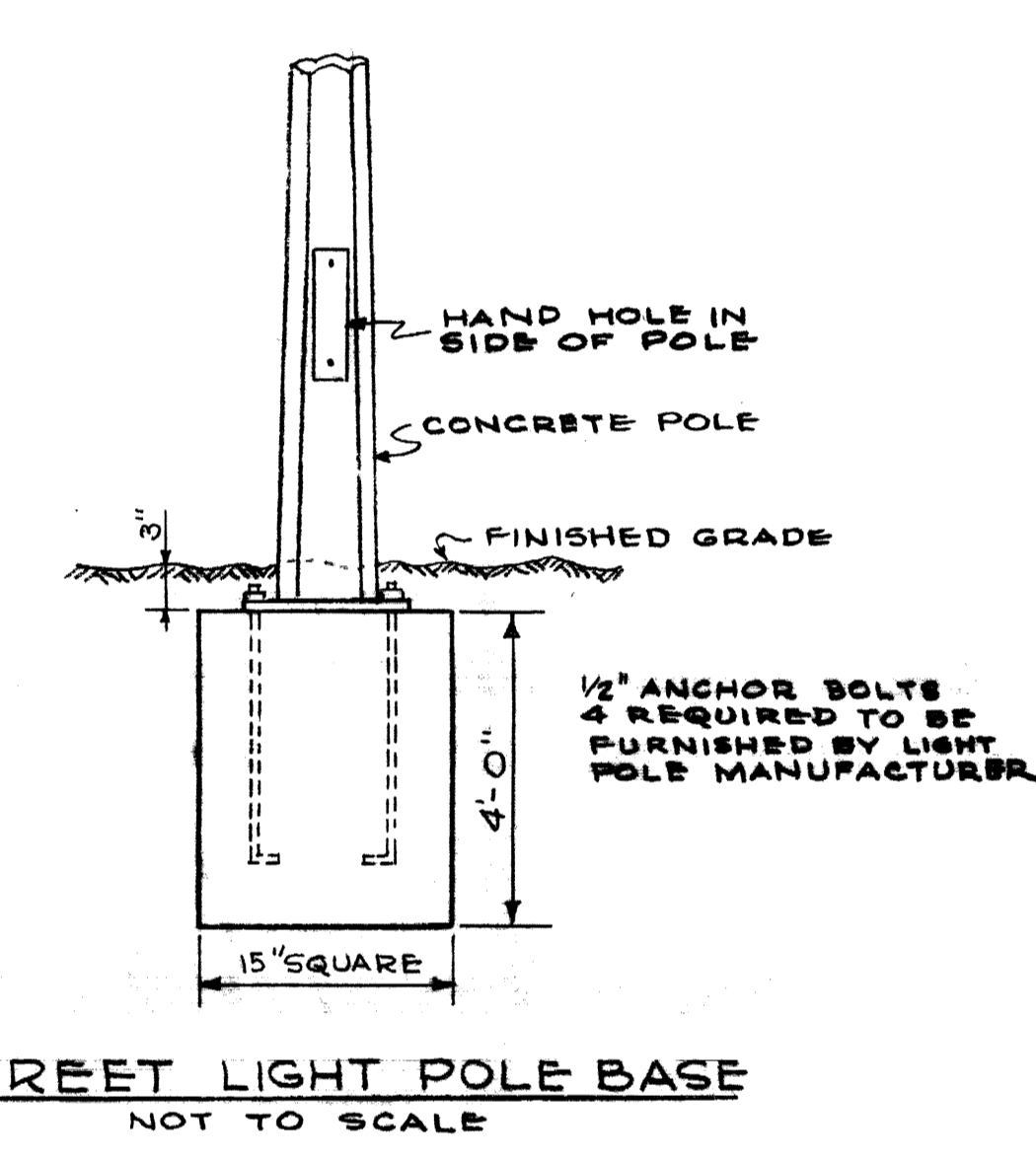
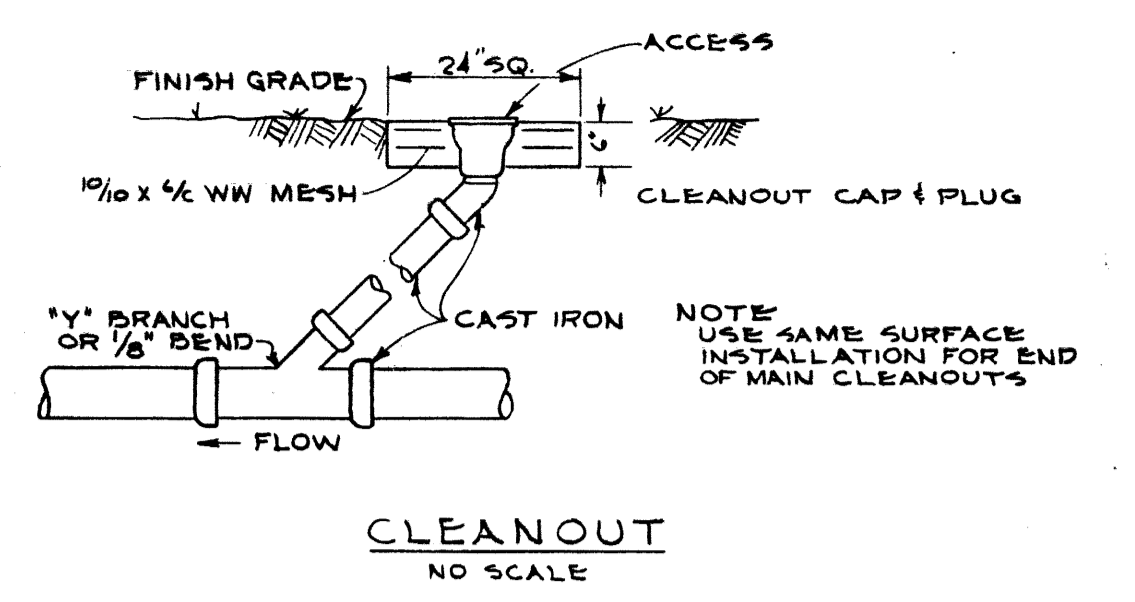
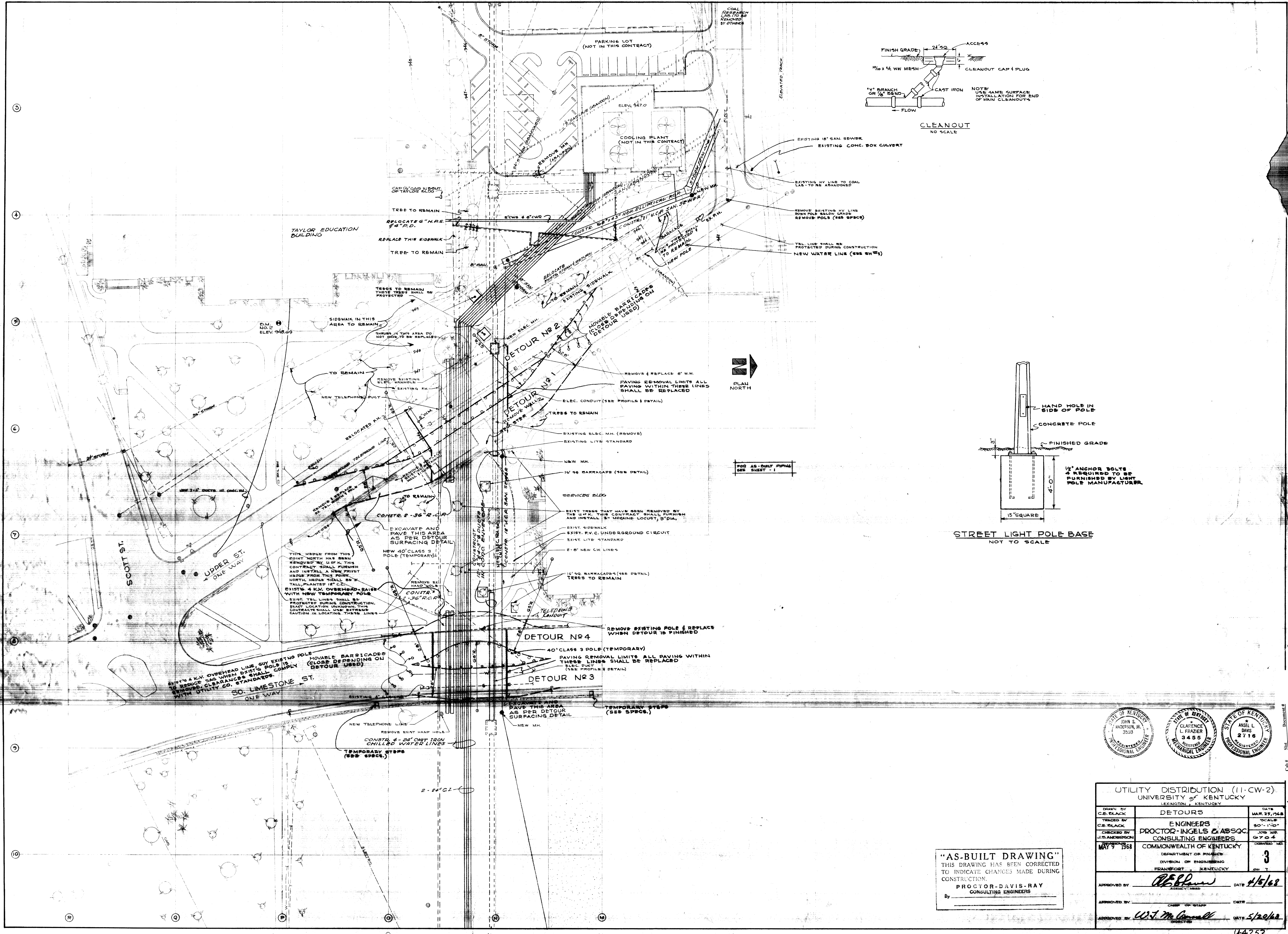
**LEGEND FOR TYPE JOINTS FOR C.I. CHILLED WATER LINES**

- (FL) FLANGED JOINT OR CONNECTION
- (SJ) SLIP TYPE JOINT
- (RJ) RESTRAINING TYPE JOINT

**"AS-BUILT DRAWING"**  
 THIS DRAWING HAS BEEN CORRECTED TO INDICATE CHANGES MADE DURING CONSTRUCTION.  
**PROCTOR-DAVIS-RAY**  
 CONSULTING ENGINEERS

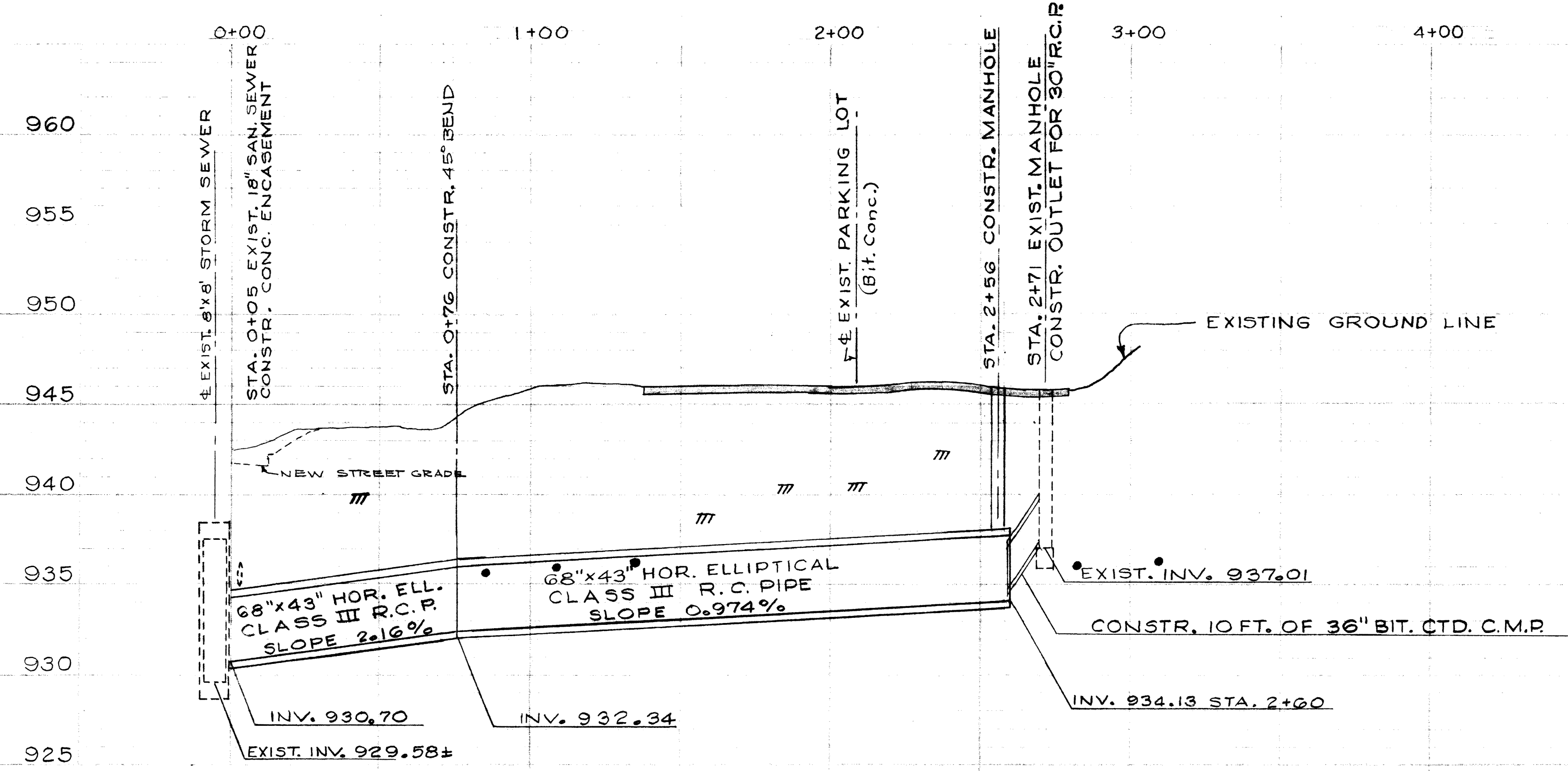


UTILITY DISTRIBUTION (11-CW-2)		
UNIVERSITY OF KENTUCKY		
LEXINGTON, KENTUCKY		
DRAWN BY J.S. ANDERSON	PLAN	DATE MAR. 29, 1968
TRACED BY H.P. PRICE	ENGINEERS	SCALE 1" = 30'-0"
CHECKED BY C.L. BRADSHAW	PROCTOR-INGELS & ASSOC. CONSULTING ENGINEERS	DWG. NO. 619A
REVISIONS MAY 9 1968	COMMONWEALTH OF KENTUCKY DEPARTMENT OF FINANCE DIVISION OF ENGINEERING FRANKFORT, KENTUCKY	DRAWING NO. 2 OF 7
APPROVED BY <i>R.E. Blawie</i>	AGENCY HEAD	DATE 4/5/68
APPROVED BY <i>W.J. Mc Connell</i>	DIRECTOR	DATE 5/20/68

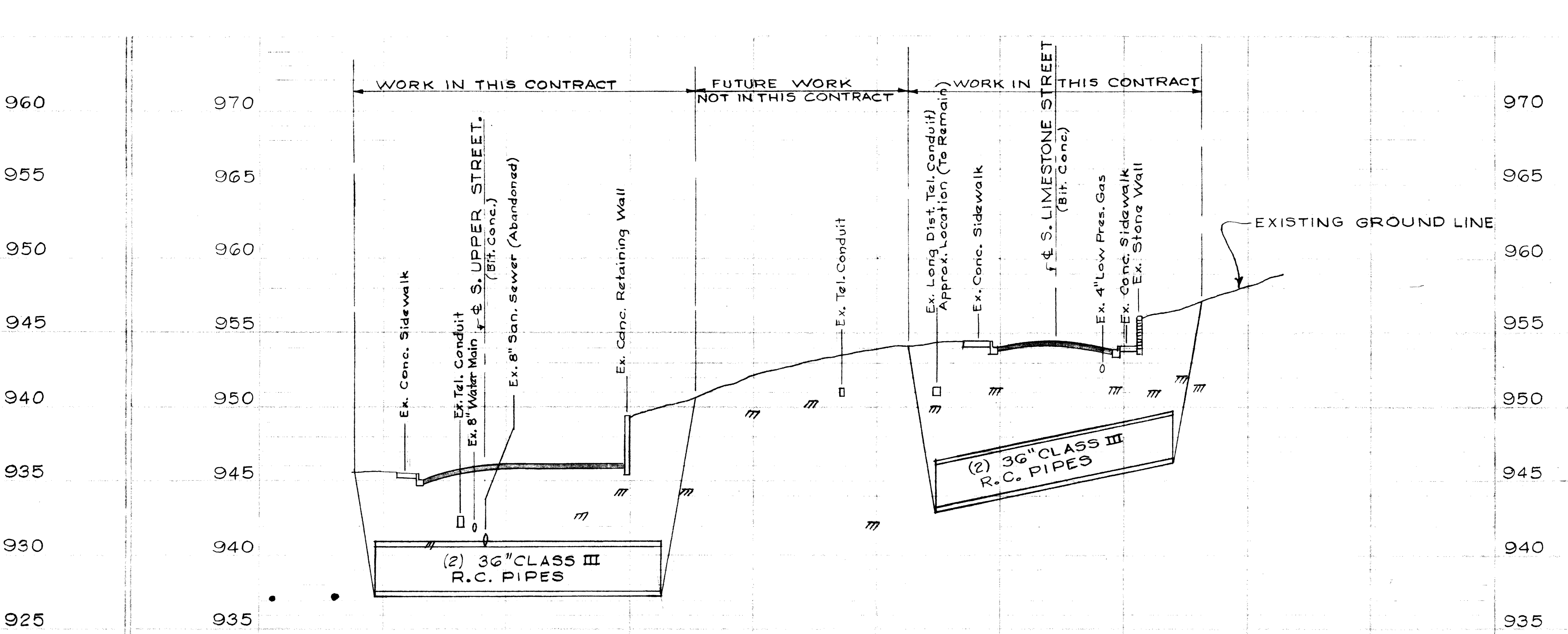


UTILITY DISTRIBUTION (11-CW-2) UNIVERSITY OF KENTUCKY LEXINGTON, KENTUCKY		
DRAWN BY C.E. BLACK	DETOURS	DATE MAR. 25, 1968
TRACED BY C.E. BLACK	ENGINEERS PROCTOR-INGELS & ASSOC. CONSULTING ENGINEERS	SCALE 50' = 1" @ 4
CHECKED BY J.S. ANDERSON, JR.	COMMONWEALTH OF KENTUCKY	JOB NO. 6704
DATE MAY 9, 1968	DEPARTMENT OF FINANCE DIVISION OF ENGINEERING FRANKFORT, KENTUCKY	DESIGNED BY 3
APPROVED BY <i>John S. Anderson, Jr.</i>	AGENCY HEAD	DATE 4/5/68
APPROVED BY <i>W.J. McConall</i>	CHIEF OF STAFF	DATE 5/20/68

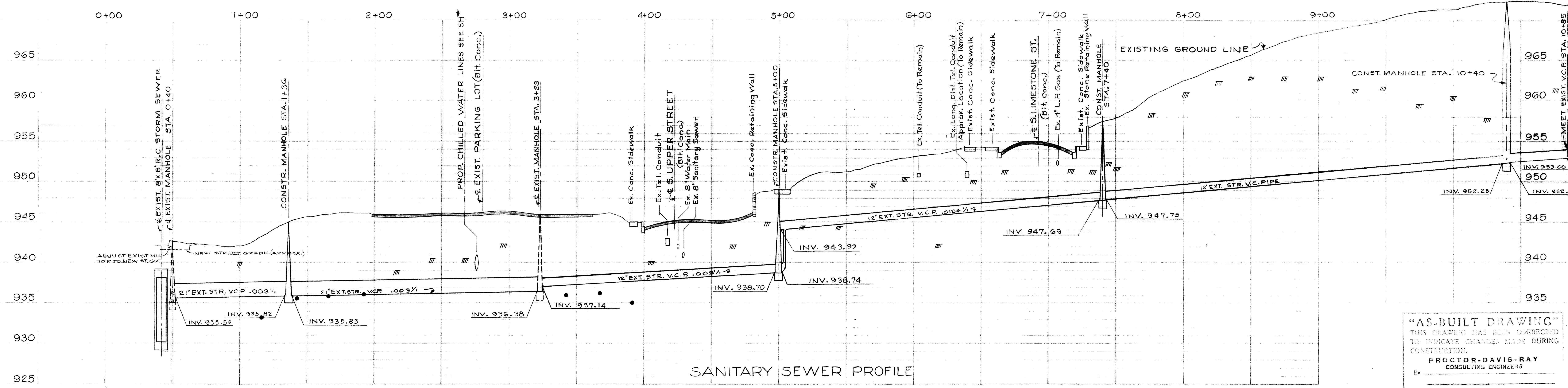
"AS-BUILT DRAWING"  
THIS DRAWING HAS BEEN CORRECTED TO INDICATE CHANGES MADE DURING CONSTRUCTION.  
PROCTOR-DAVIS-RAY  
CONSULTING ENGINEERS



STORM SEWER PROFILE

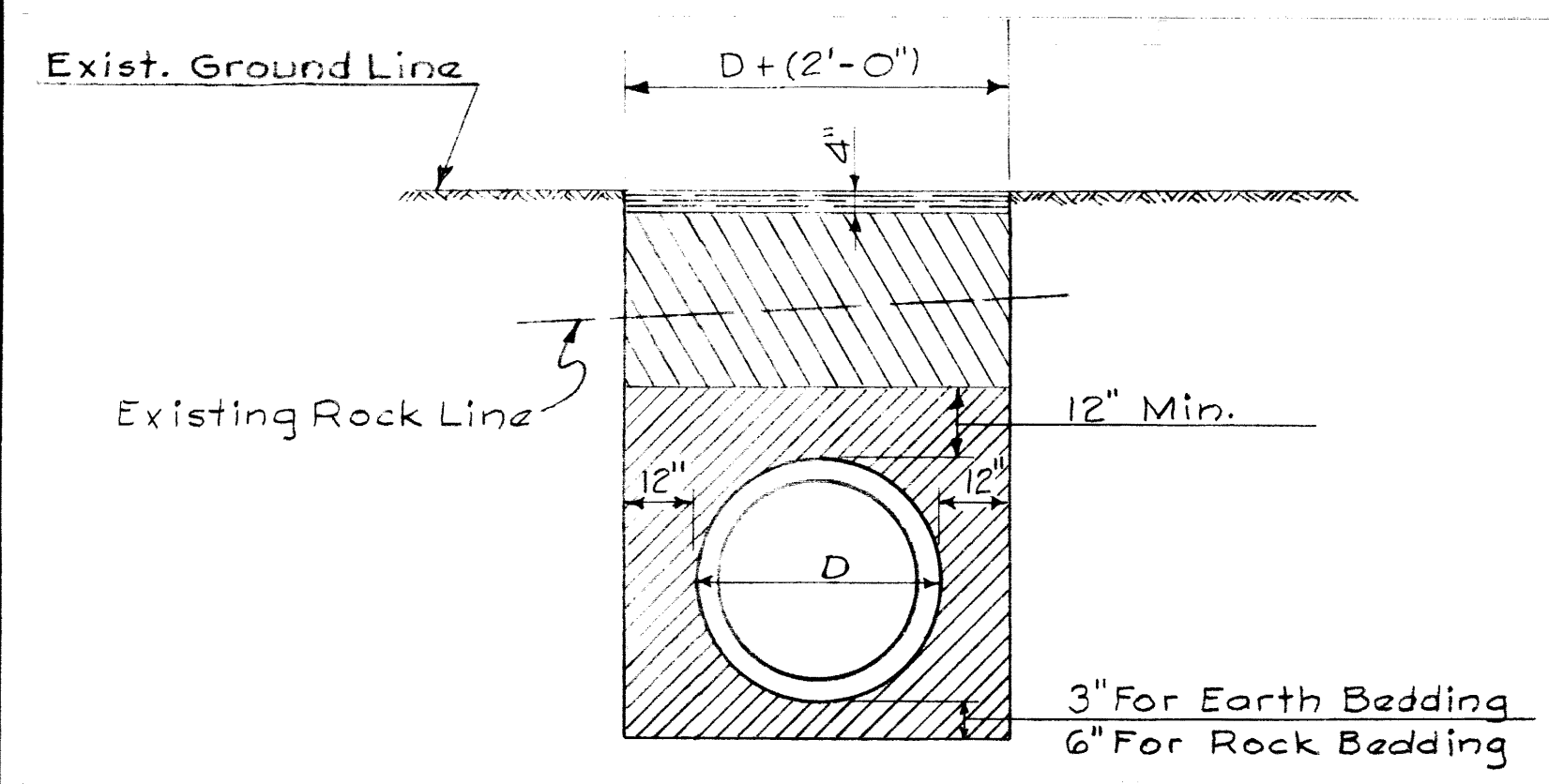


36 INCH CONDUIT PROFILE

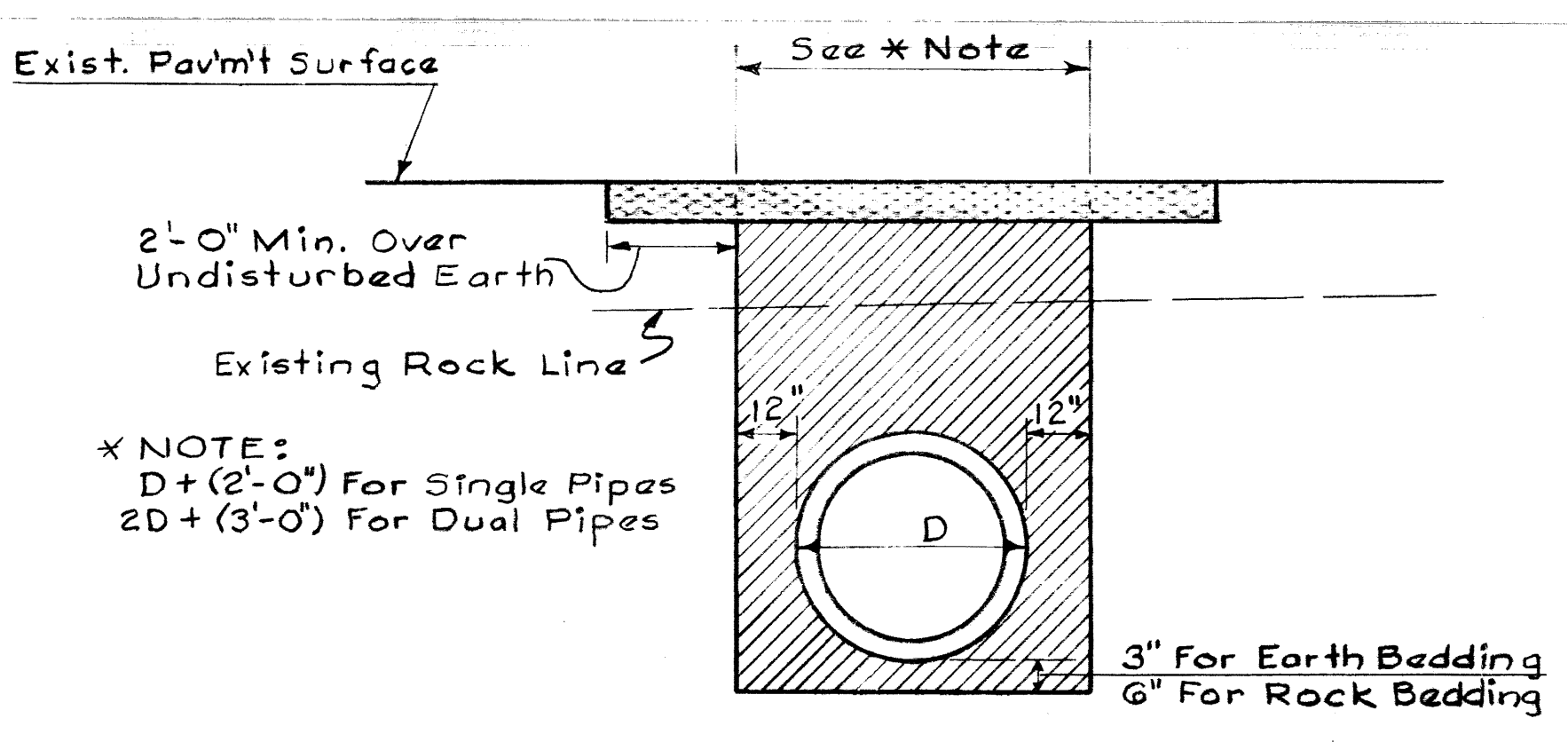


SANITARY SEWER PROFILE

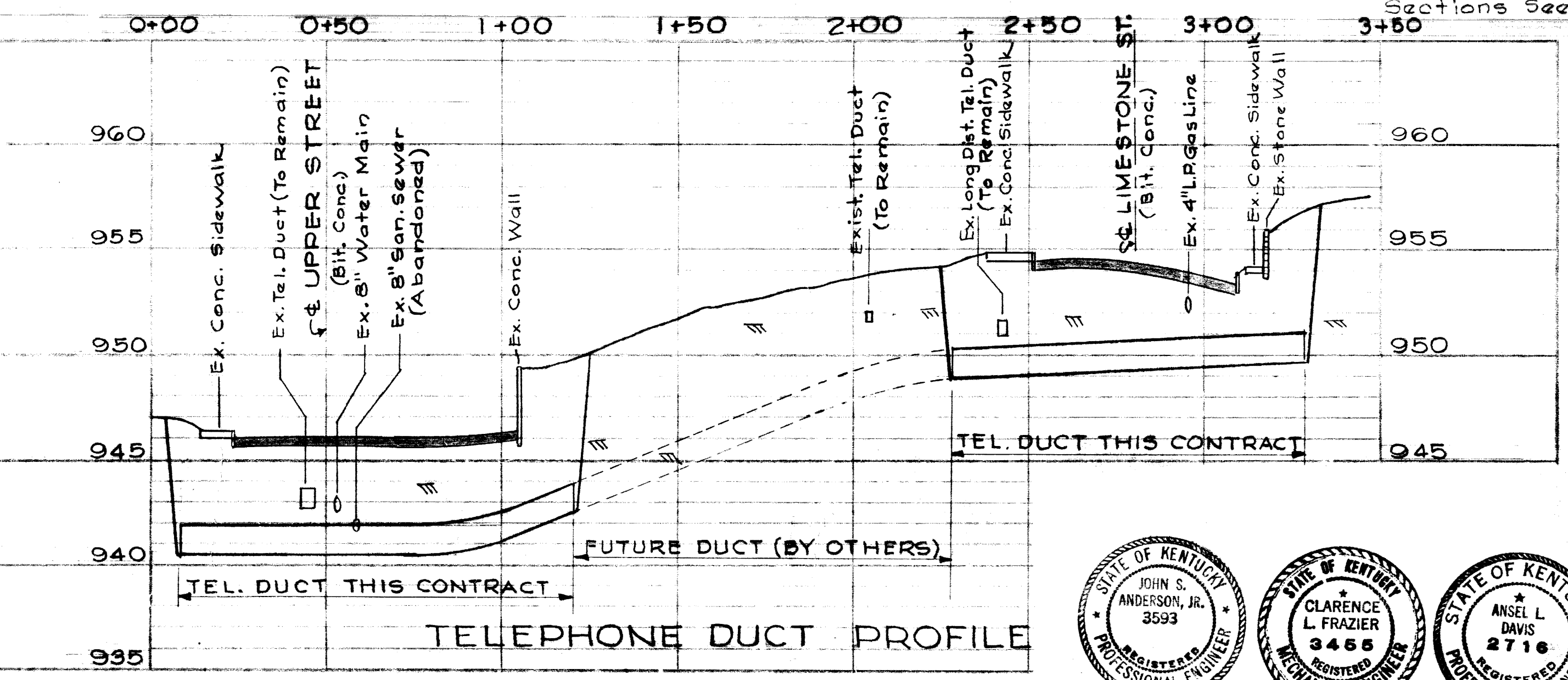
"AS-BUILT DRAWING"  
THIS DRAWING HAS BEEN CORRECTED  
TO INDICATE CHANGES MADE DURING  
CONSTRUCTION.  
PROCTOR-DAVIS-RAY  
CONSULTING ENGINEERS



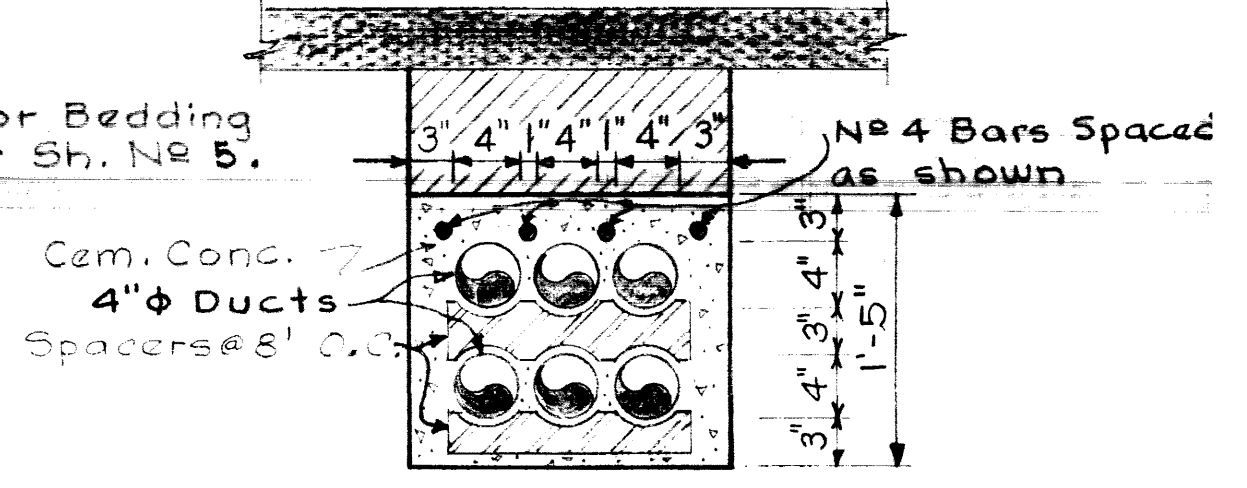
TYPICAL SECTION  
TYPICAL BEDDING DETAIL FOR STORM  
AND SANITARY SEWERS AND PIPE  
CONDUITS NOT UNDER PAVEMENTS  
SCALE: 3/8"=1'-0"



TYPICAL SECTION  
TYPICAL BEDDING DETAIL FOR STORM  
AND SANITARY SEWERS AND PIPE  
CONDUITS UNDER PAVEMENTS  
SCALE: 3/8"=1'-0"

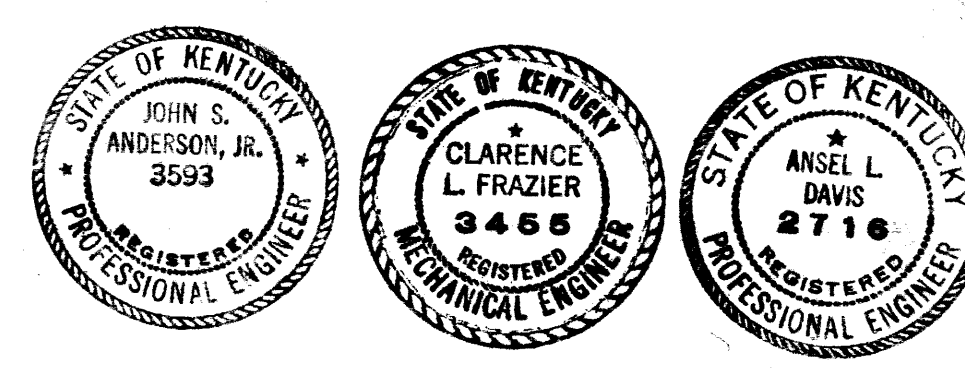


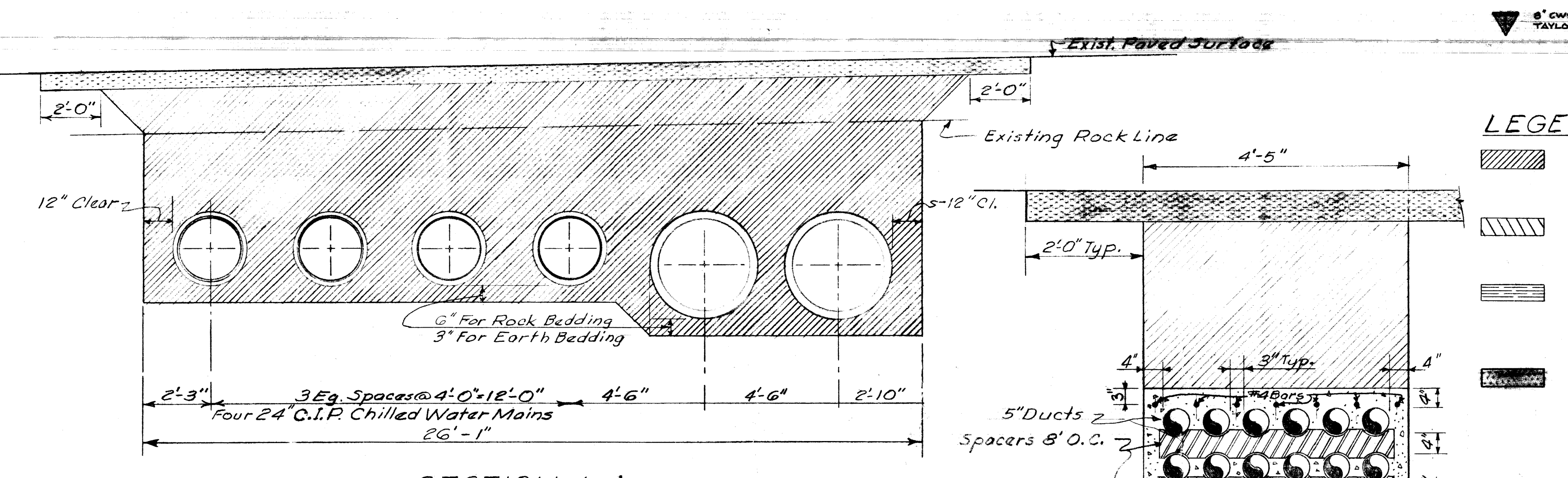
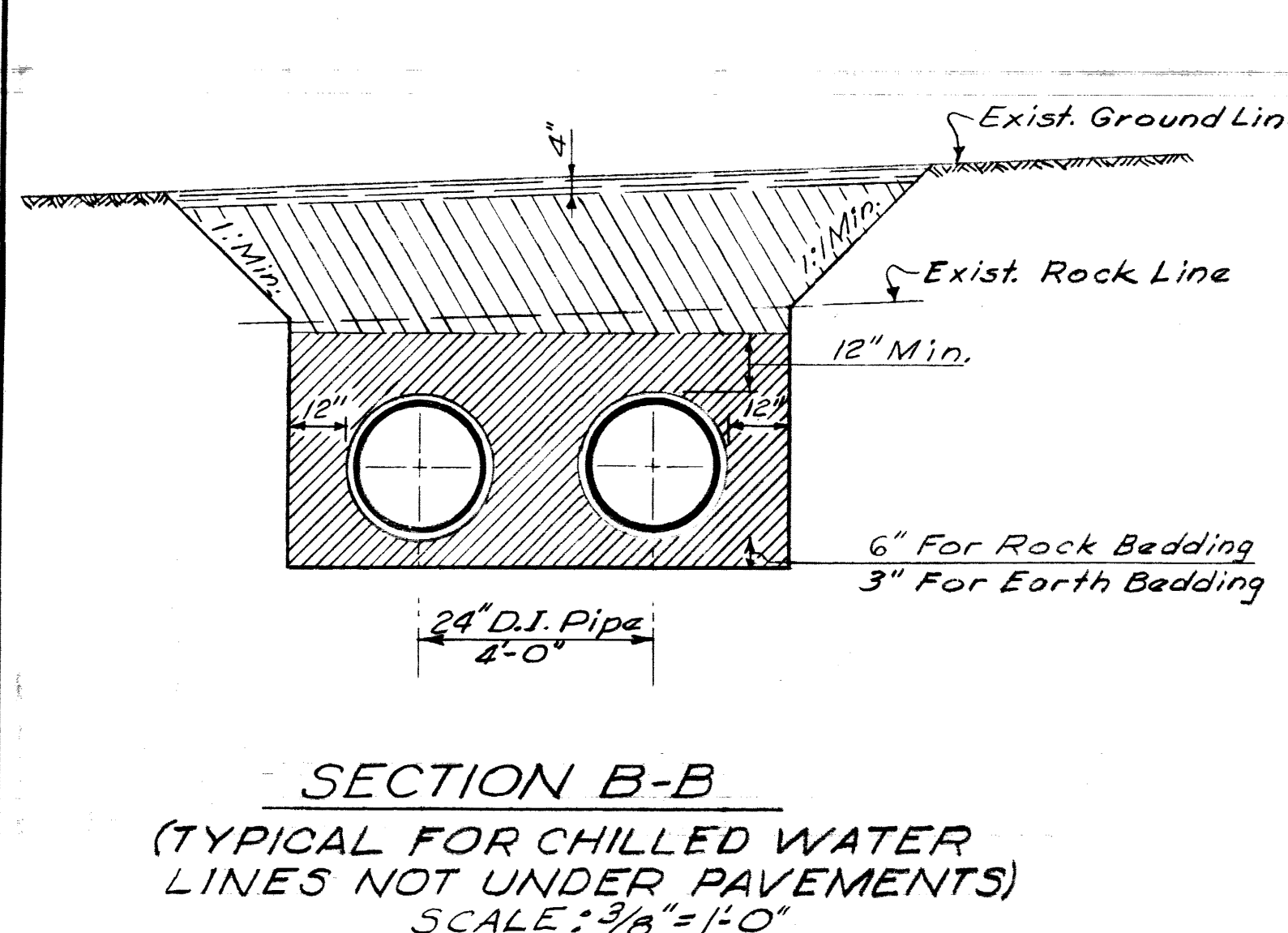
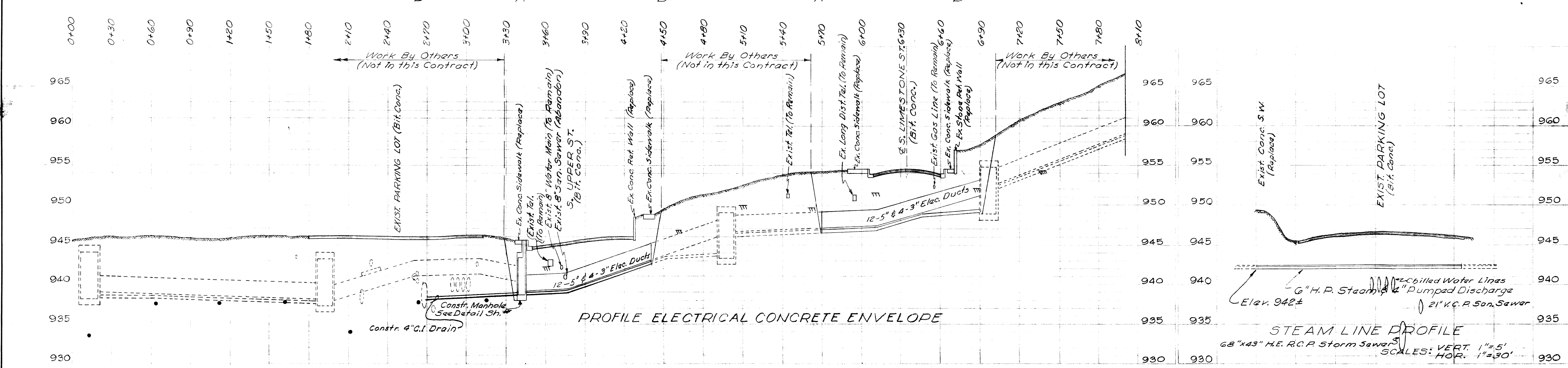
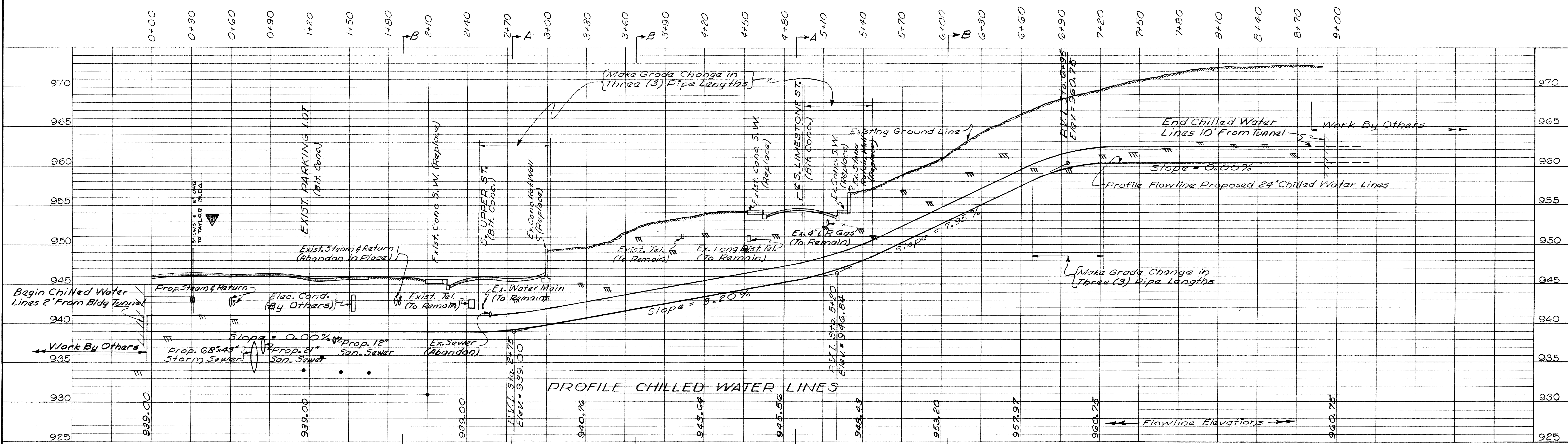
TELEPHONE DUCT PROFILE



SECTION-TELEPHONE DUCT  
NOT TO SCALE:

UTILITY DISTRIBUTION (11-CW-2)		
UNIVERSITY OF KENTUCKY		
LEXINGTON, KENTUCKY	DATE	SCALE
DESIGNED BY S. JOHNSON	STORM, SANITARY SEWER & TELEPHONE PROFILES	MAR. 29, 1948
TRACED BY S. JOHNSON	ENGINEERS	AS SHOWN
CHECKED BY MAY 9 1958	PROCTOR-INGELS & ASSOC. CONSULTING ENGINEERS	6-20-4
REVISIONS	COMMONWEALTH OF KENTUCKY	DRAWING NO.
	DEPARTMENT OF FINANCE	4
	DIVISION OF ENGINEERING	OF 7
	FRANKFORT, KENTUCKY	
APPROVED BY <i>(Signature)</i>	DATE 4/5/68	
APPROVED BY <i>(Signature)</i>	DATE 5/20/68	





- AS-BUILT KEY**
- ▲ 6\"/>
- LEGEND FOR BEDDING SECTIONS**
- Selected Dense Graded Aggregate, Tamped and Compacted in Six (6) Inch Layers.
  - Common Embankment Material Free From Large Stones and Topsoil.
  - Top Soil to the Depth Shown On The Plans, Rolled, Bladed, Fertilized, Seeded, Mulched and Watered According to the Specifications.
  - Pavement to be replaced with New Pavement in accordance with the Specifications.

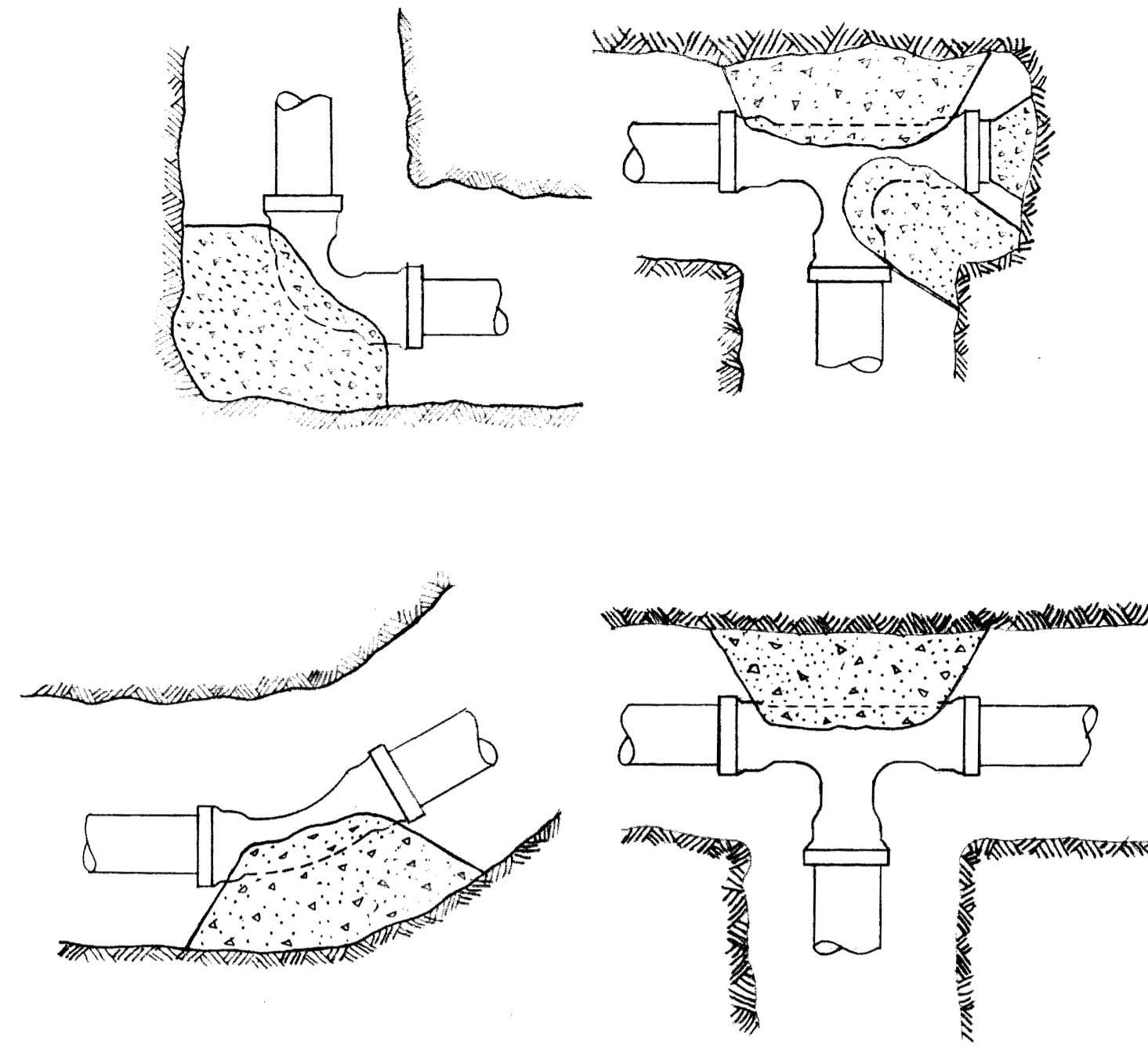
**"AS-BUILT DRAWING"**  
 THIS DRAWING HAS BEEN CORRECTED TO INDICATE CHANGES MADE DURING CONSTRUCTION.  
 PROCTOR-DAVIS-RAY  
 CONSULTING ENGINEERS

**NOTE:**  
 For Typical Details of Utility Marker See Sheet No. 7.  
 For Details of Manhole for Electrical Conc. Envelope See Sheet No. 7.



UTILITY DISTRIBUTION (11-CW-2) UNIVERSITY OF KENTUCKY LEXINGTON, KENTUCKY		
DRAWN BY S. JOHNSON	CHILLED WATER - PROFILE	DATE MAR. 25, 1968
TRACED BY S. JOHNSON	ENGINEERS	SCALE AS SHOWN
CHECKED BY	PROCTOR-INGELS & ASSOC. CONSULTING ENGINEERS	SHEET NO. 0704
REVISIONS MAY 9 1968	COMMONWEALTH OF KENTUCKY DEPARTMENT OF FINANCE DIVISION OF ENGINEERING FRANKFORT, KENTUCKY	DRAWING NO. 5 OF 7
APPROVED BY <i>[Signature]</i>	DATE 4/6/68	
APPROVED BY <i>[Signature]</i>	DATE 5/20/68	

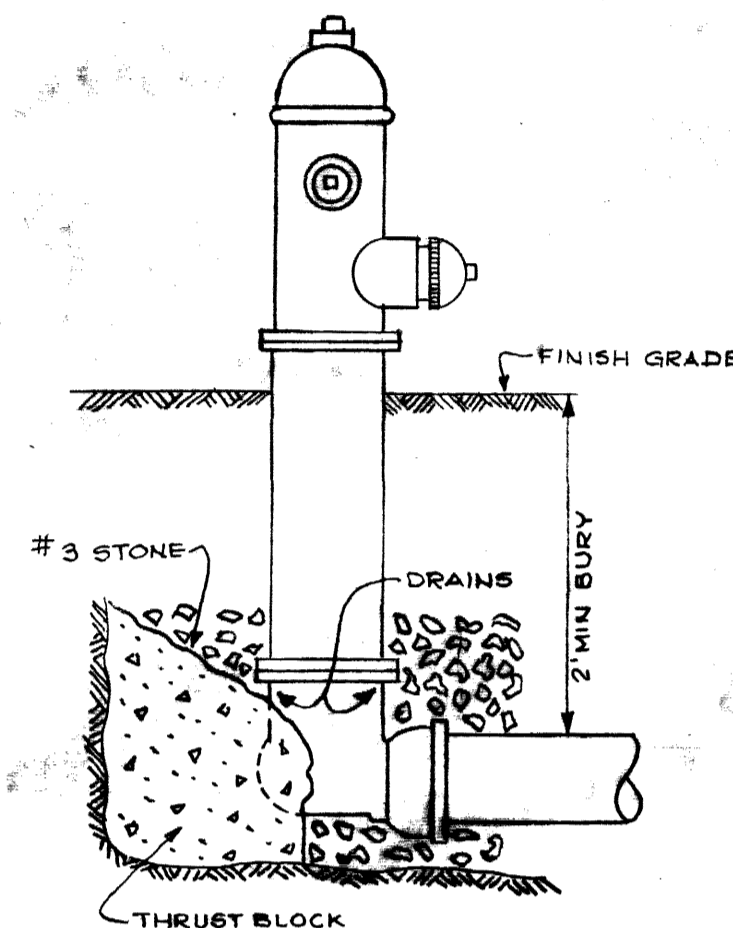
NOTE:  
 FOR CATCH BASIN TYPE NO. 1 USE  
 NEENAH NO. R-3350 CAST IRON FRAME  
 AND GRATE OR APPROVED EQUAL.  
 FOR CATCH BASIN TYPE NO. 2 USE  
 NEENAH NO. R-2030C CAST IRON FRAME  
 AND GRATE OR APPROVED EQUAL.



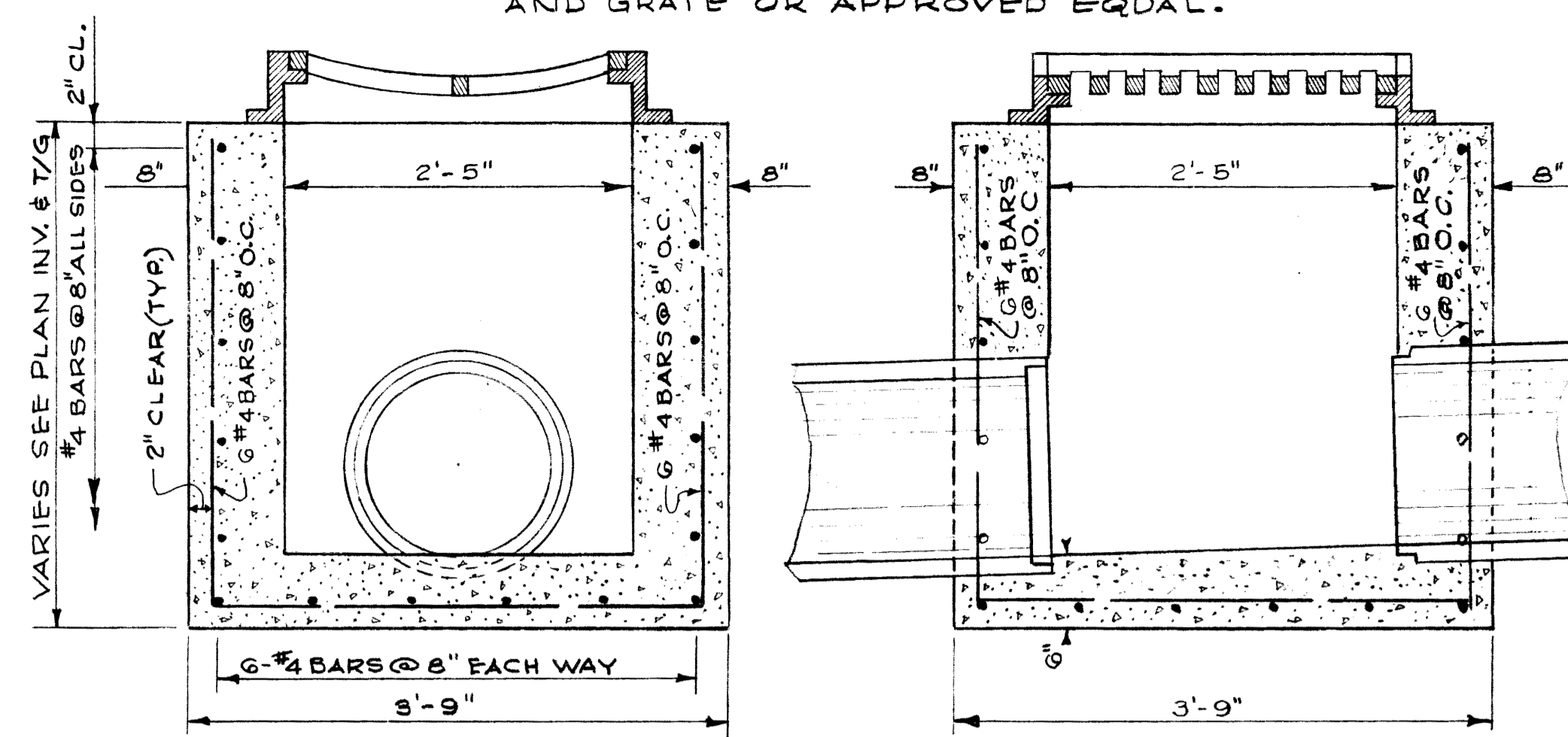
THRUST BLOCK DETAIL  
 NO SCALE

PIPE SIZE	TEES & DEAD ENDS	90° BEND	45° BEND	2 1/2° BEND
3"	1.5 SQ. FT.	1.5 SQ. FT.	1.5 SQ. FT.	0.5 SQ. FT.
4"	1.5 SQ. FT.	1.5 SQ. FT.	1.5 SQ. FT.	0.5 SQ. FT.
6"	2.5 SQ. FT.	3.0 SQ. FT.	2.5 SQ. FT.	1.5 SQ. FT.
8"	4.0 SQ. FT.	5.0 SQ. FT.	3.5 SQ. FT.	1.5 SQ. FT.

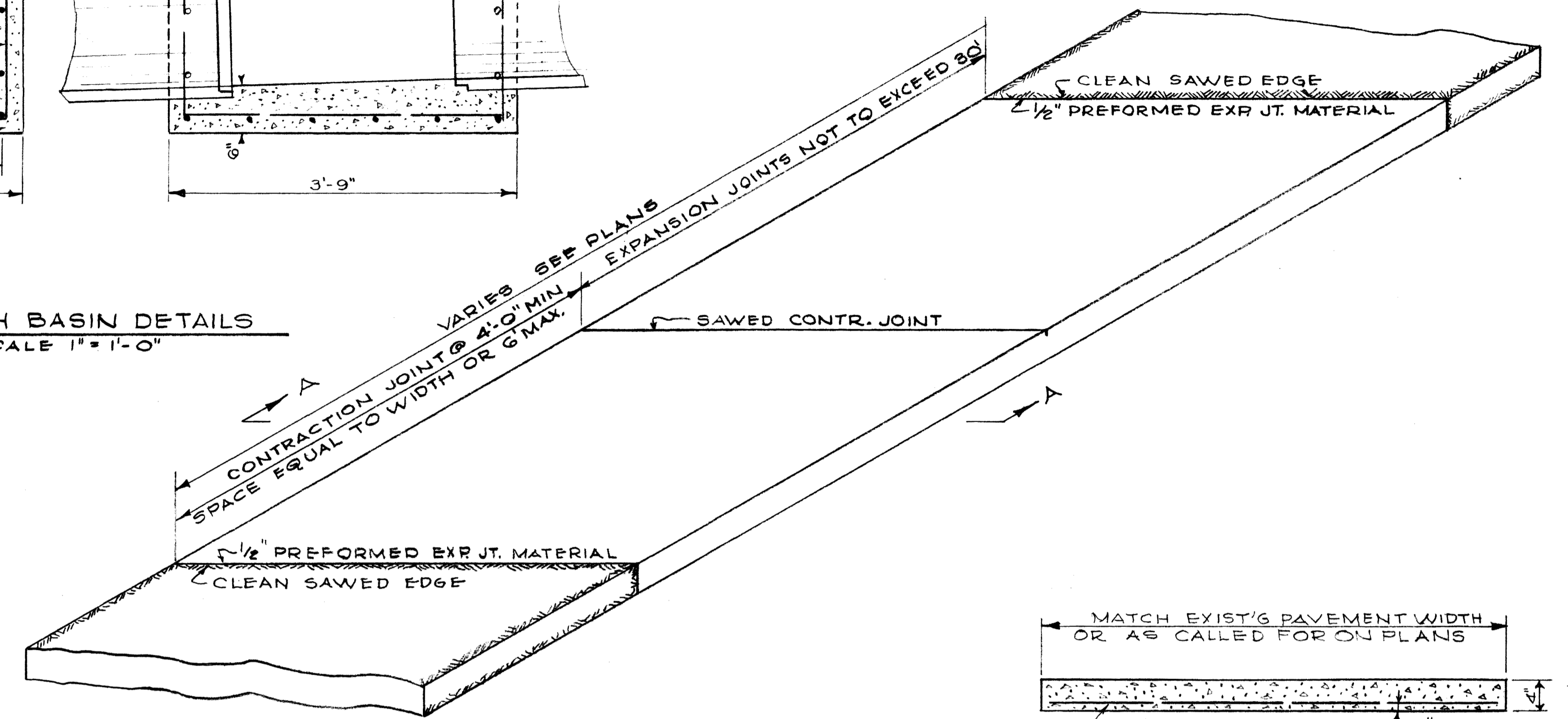
NOTE: LENGTH, WIDTH & MINIMUM THICKNESS  
 THRUST BLOCKS SHALL BE EQUAL TO  
 THE DIAMETER OF THE PIPE FOR WHICH  
 THEY ARE INSTALLED.



FIRE HYDRANT DETAIL  
 NO SCALE

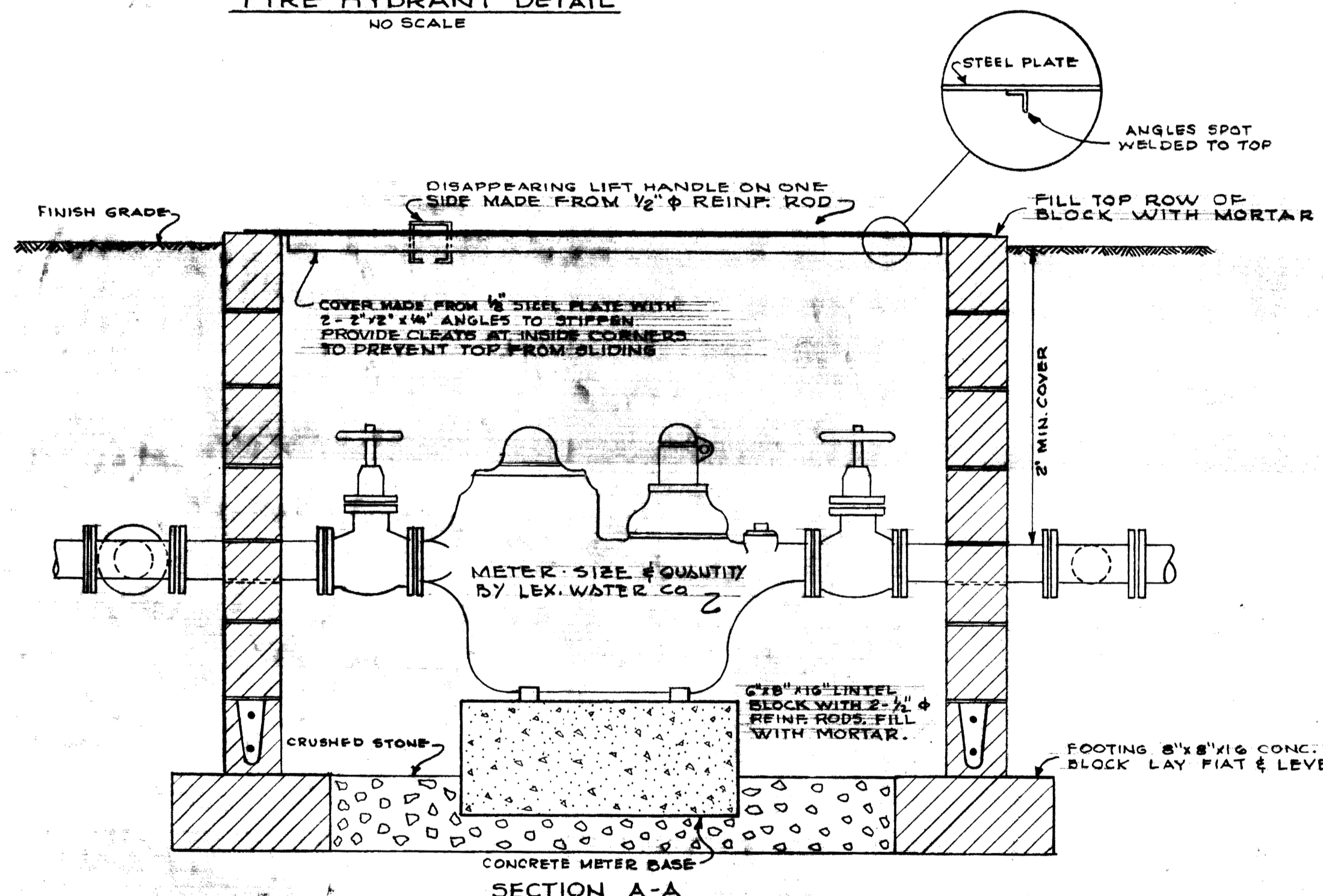


CATCH BASIN DETAILS  
 SCALE 1" = 1'-0"

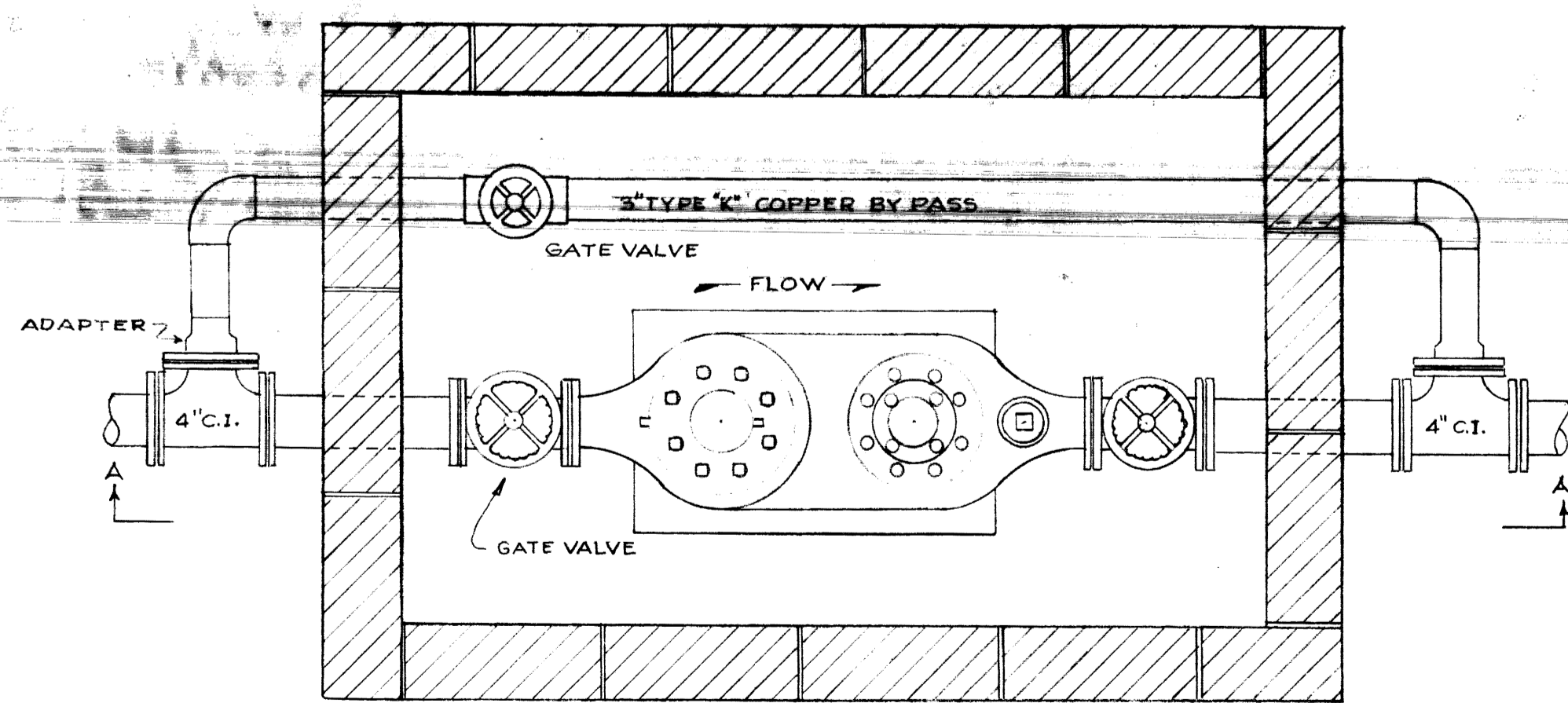


PERSPECTIVE PLAN

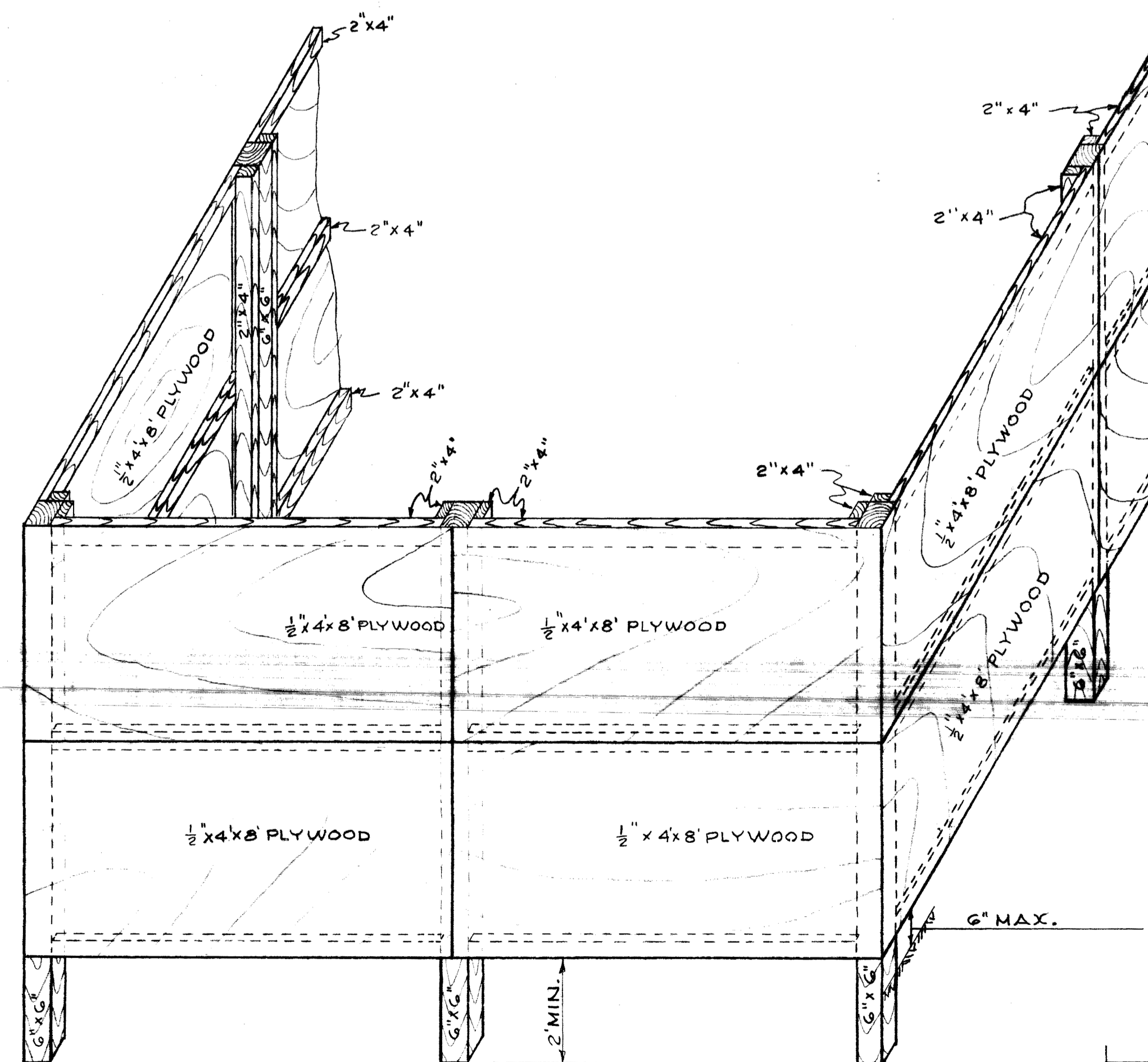
SIDEWALK DETAILS  
 NOT TO SCALE



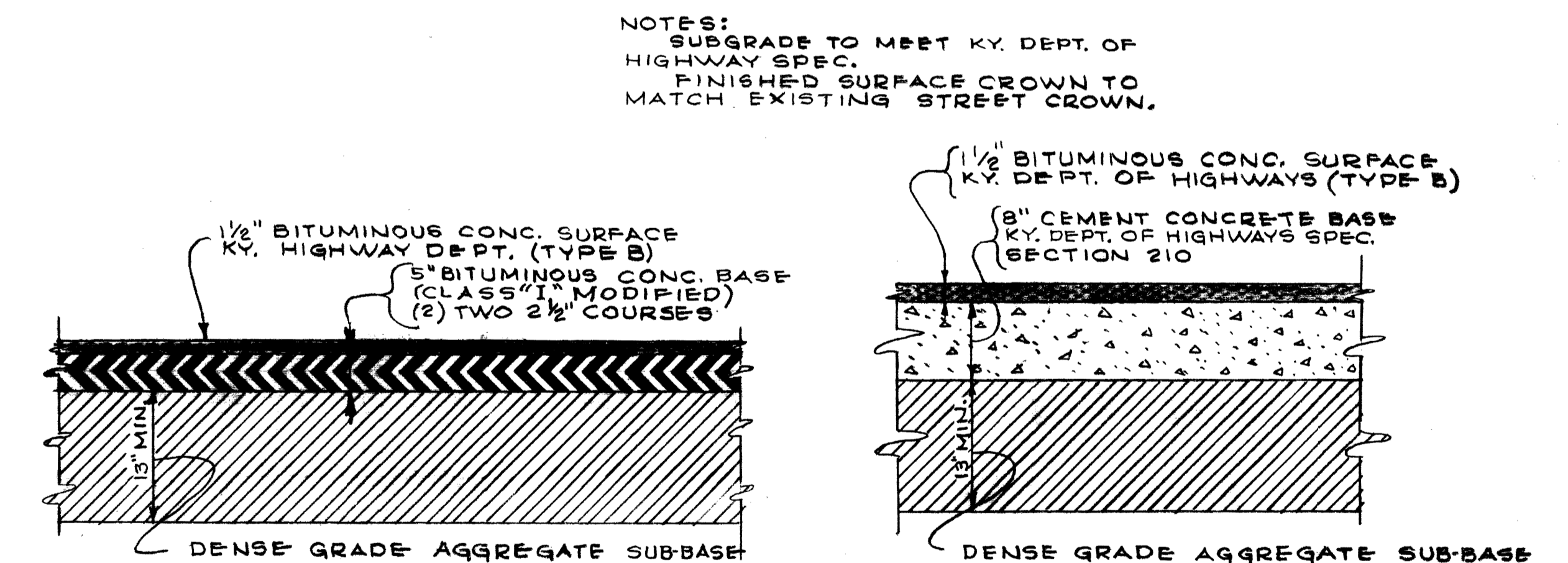
SECTION A-A



PLAN  
 WATER METER PIT DETAIL  
 SCALE 1" = 1'-0"

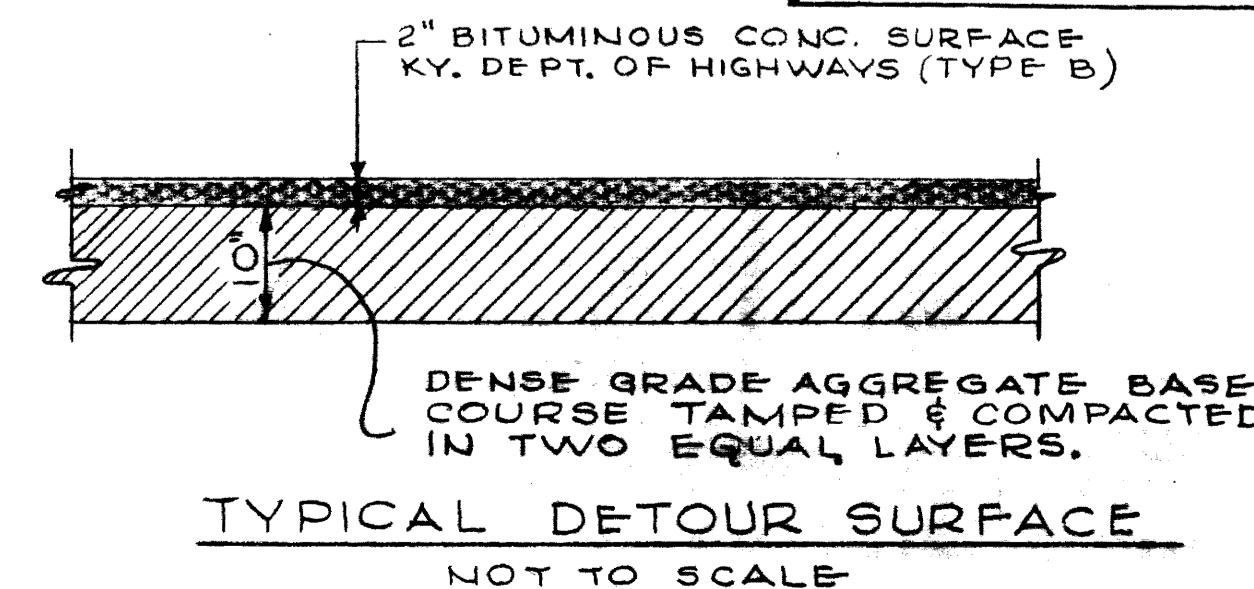


TREE BARRICADE  
 SCALE 1/2" = 1'-0"



LIMESTONE STREET  
 RESURFACING DETAILS  
 NO SCALE

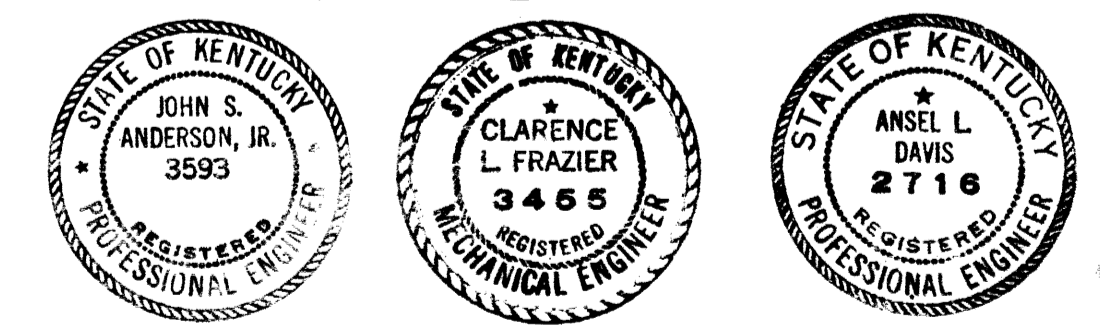
UPPER STREET  
 RESURFACING DETAILS  
 NO SCALE



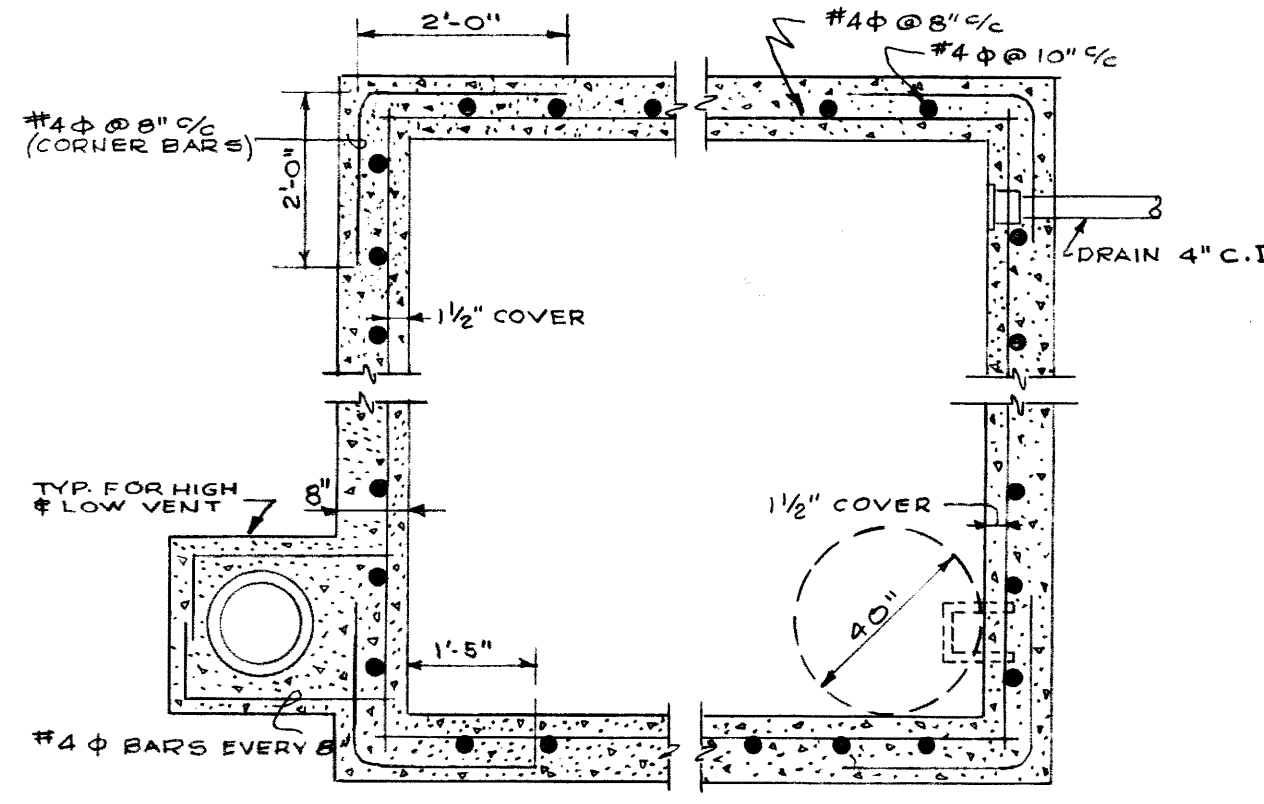
TYPICAL DETOUR SURFACE  
 NOT TO SCALE

NOTES:  
 SUBGRADE TO MEET KY. DEPT. OF  
 HIGHWAY SPEC.  
 FINISHED SURFACE CROWN TO  
 MATCH EXISTING STREET CROWN.

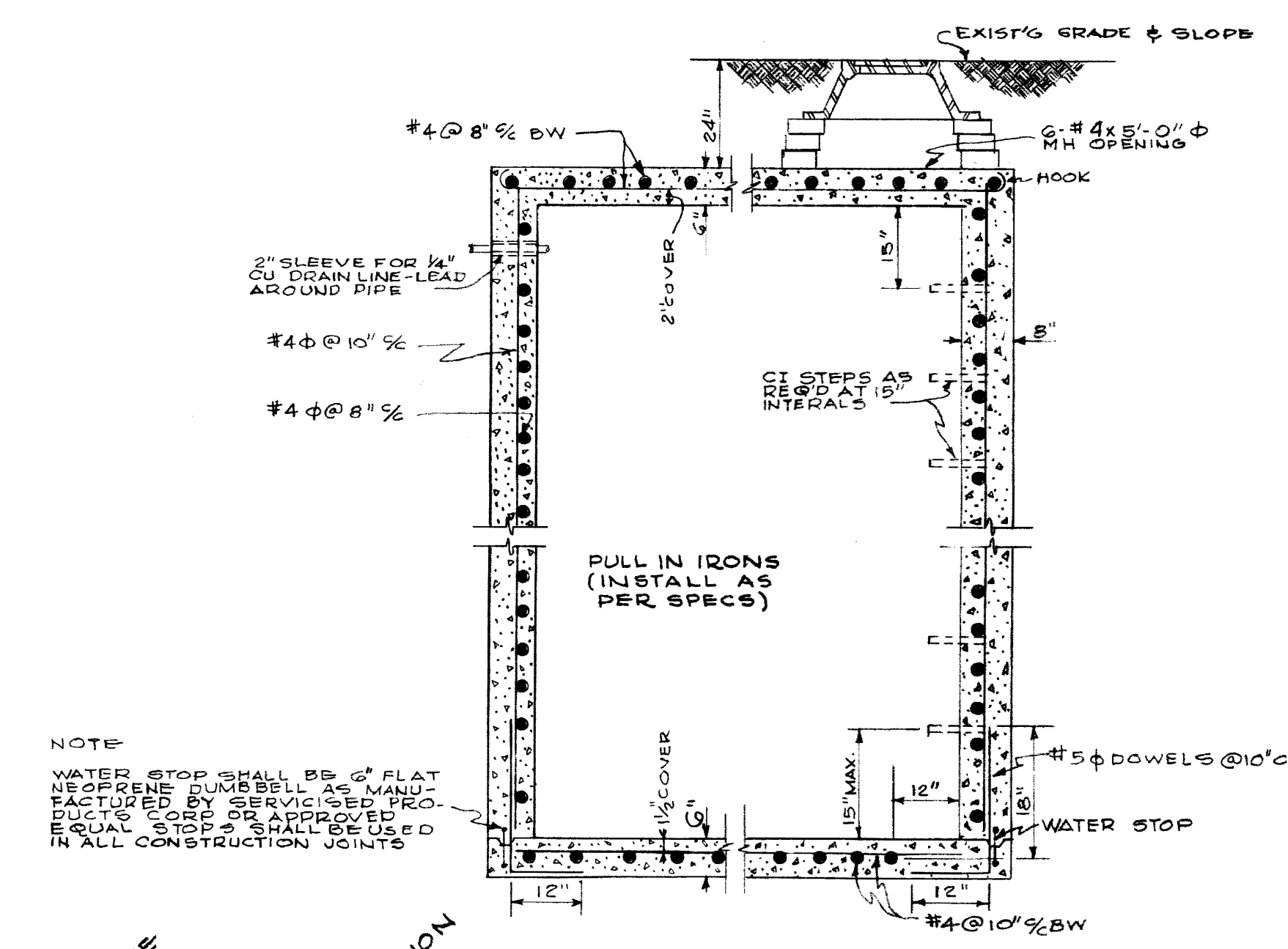
"AS-BUILT DRAWING"  
 THIS DRAWING HAS BEEN CORRECTED  
 TO INDICATE CHANGES MADE DURING  
 CONSTRUCTION.  
 PROCTOR-DAVIS-RAY  
 CONSULTING ENGINEERS



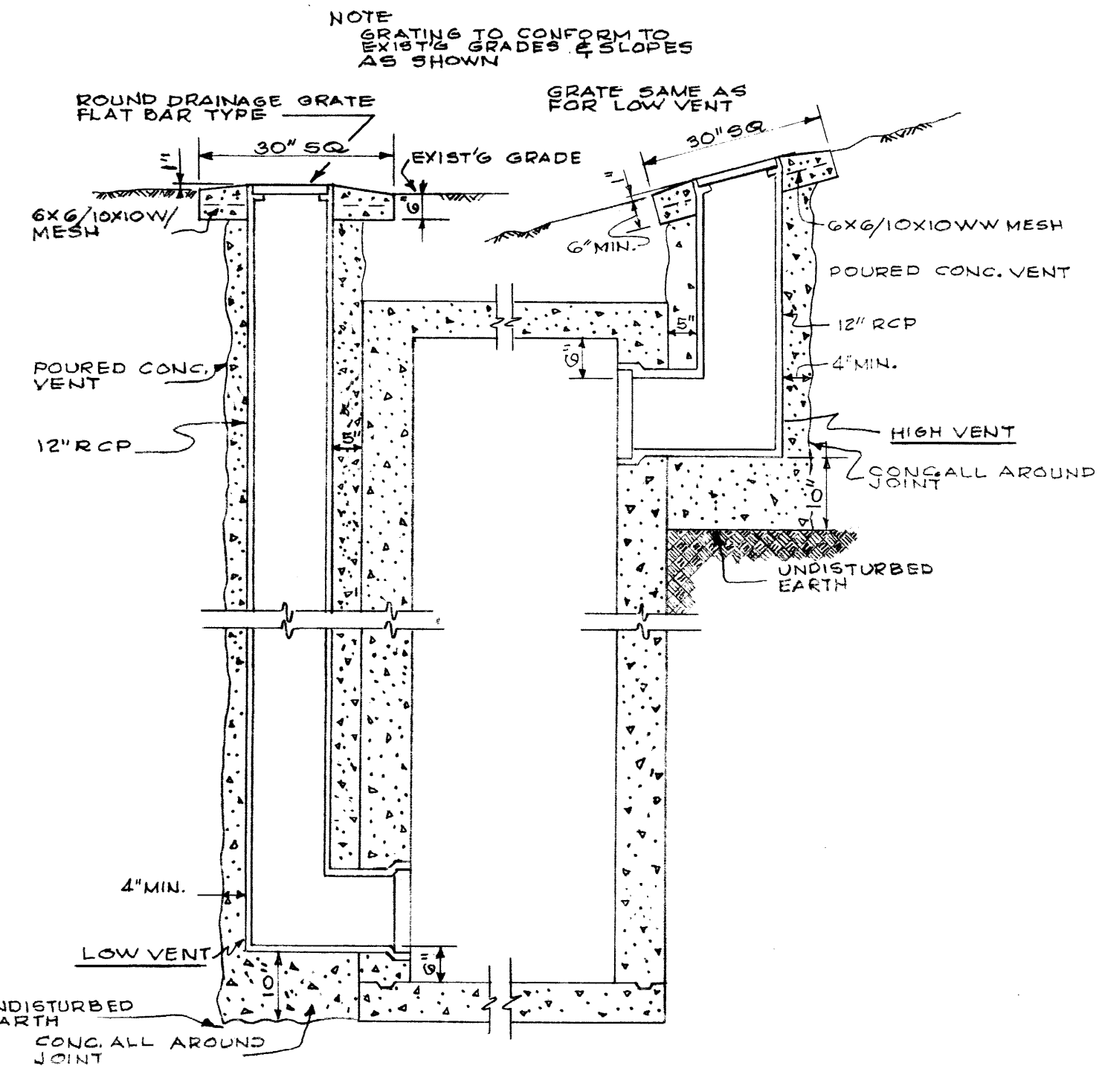
UTILITY DISTRIBUTION (11-CW-2) UNIVERSITY OF KENTUCKY LEXINGTON, KENTUCKY			
DRAWN BY S. JOHNSON	DETAILS	DATE MAR. 25, 1968	SCALE AS SHOWN
CHECKED BY S. JOHNSON	ENGINEERS PROCTOR-INGELS & ASSOC. CONSULTING ENGINEERS	JOB NO. 6704	DRAWING NO. 6
REVISIONS MAY 9 1968	COMMONWEALTH OF KENTUCKY DEPARTMENT OF FINANCE DIVISION OF ENGINEERING FRANKFORT, KENTUCKY	BY T. J. McConell	DATE 5/20/68
APPROVED BY W. J. McConell	CHIEF OF STAFF DIRECTOR	DATE 4/5/68	



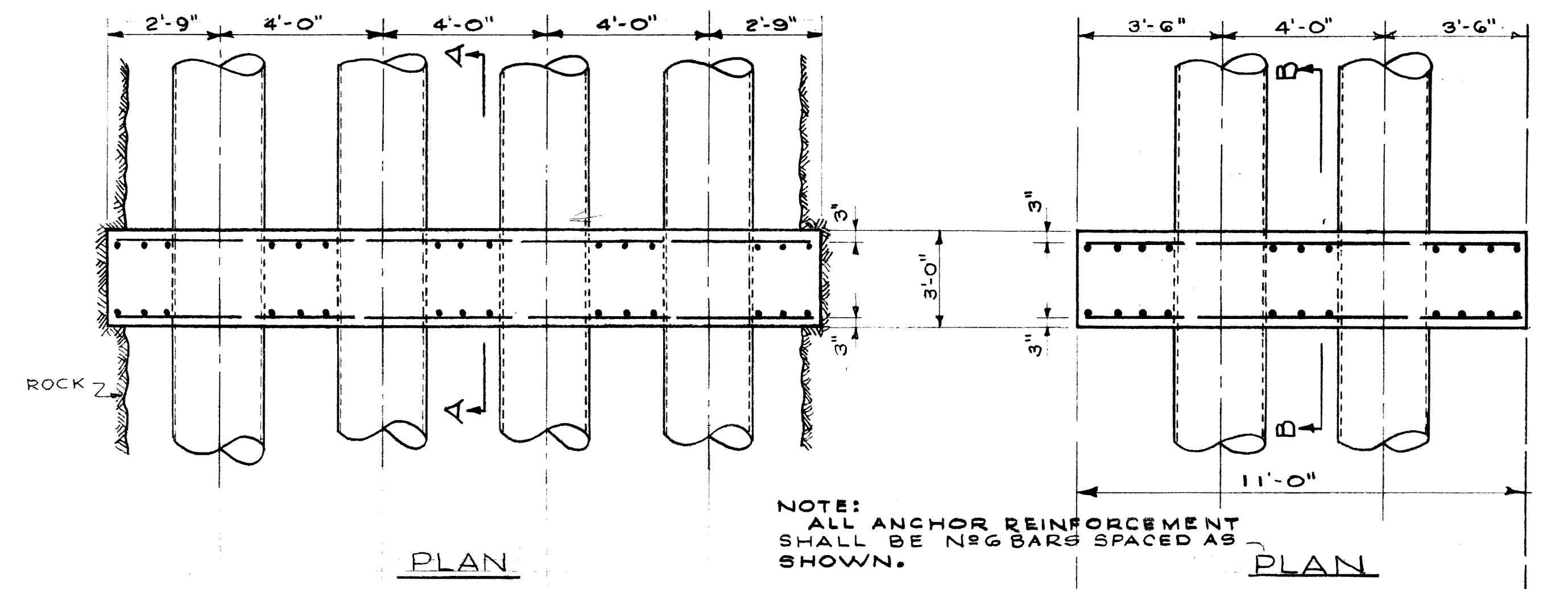
MANHOLE SECTIONAL PLAN (TYPICAL)  
SCALE 1/2" = 1'-0"



MANHOLE SECTIONAL ELEVATION (TYP)  
SCALE 1/2" = 1'-0"

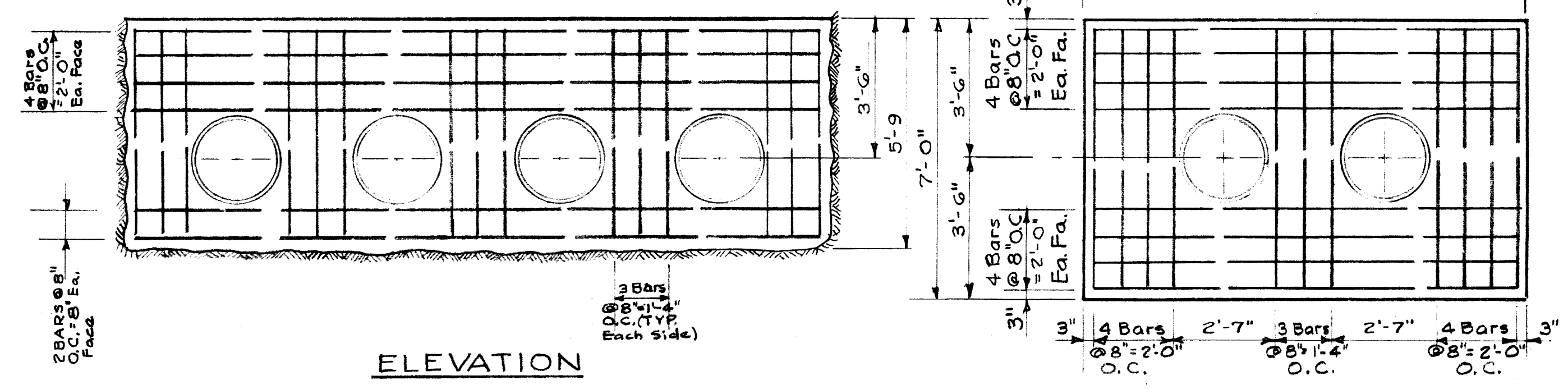


SECTION SHOWING VENTS (TYP)  
SCALE 1/2" = 1'-0"



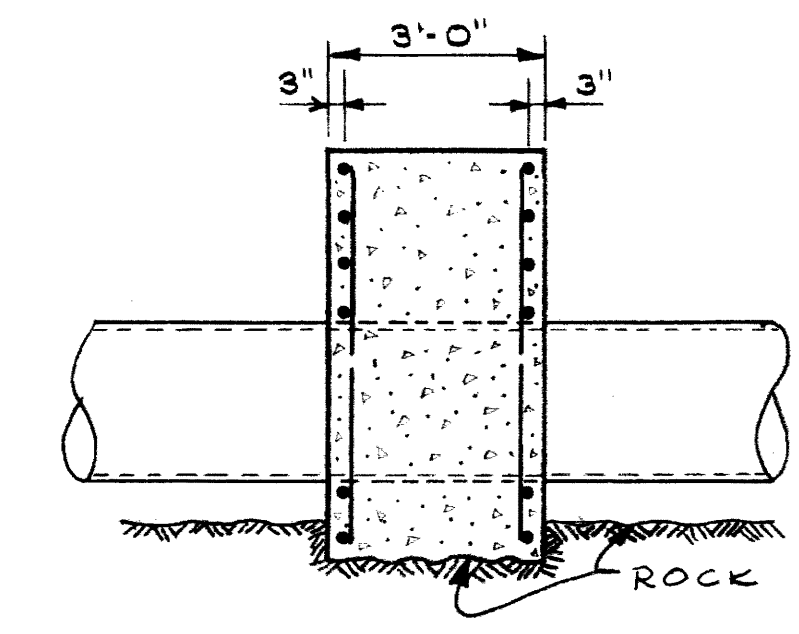
PLAN

PLAN

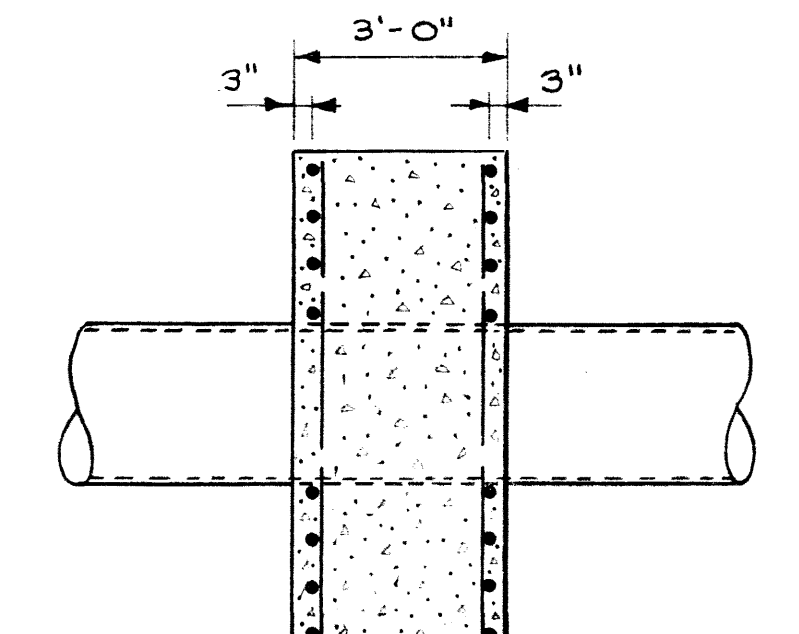


ELEVATION

ELEVATION

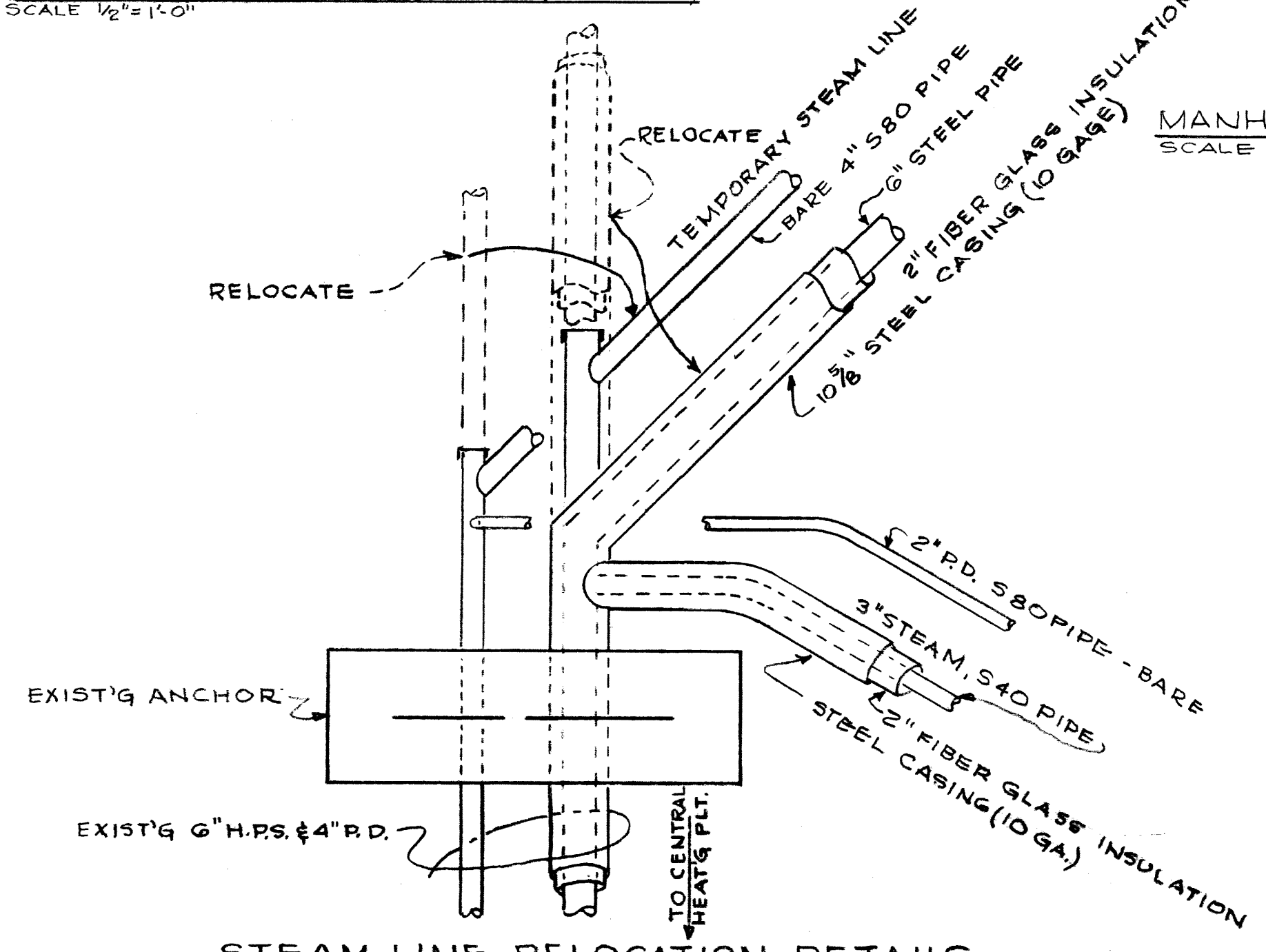


SECTION A-A  
ANCHORS IN ROCK

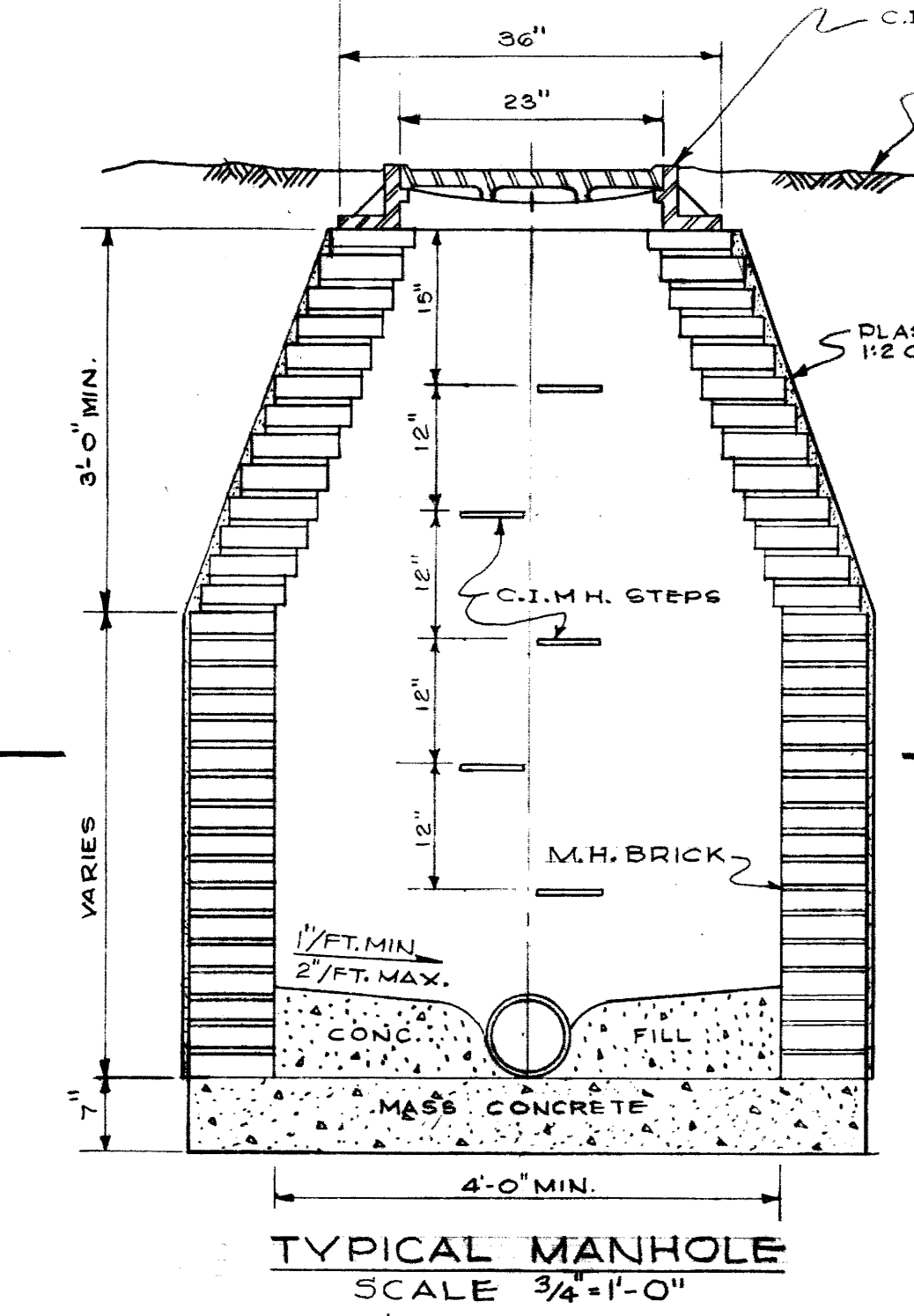


SECTION B-B  
ANCHORS IN EARTH

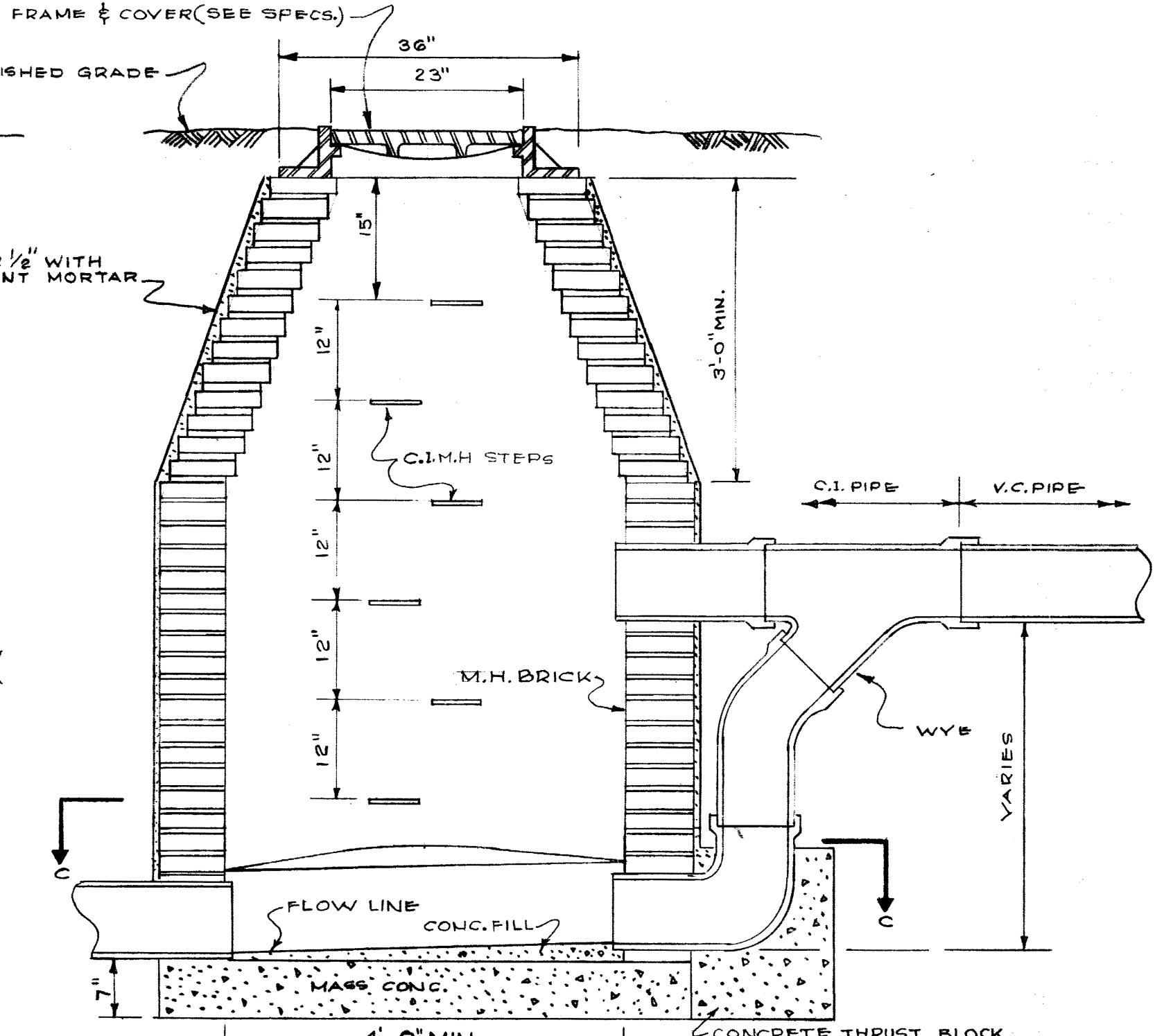
CHILLED WATER LINES - ANCHOR DETAILS  
SCALE: 3/8" = 1'-0"



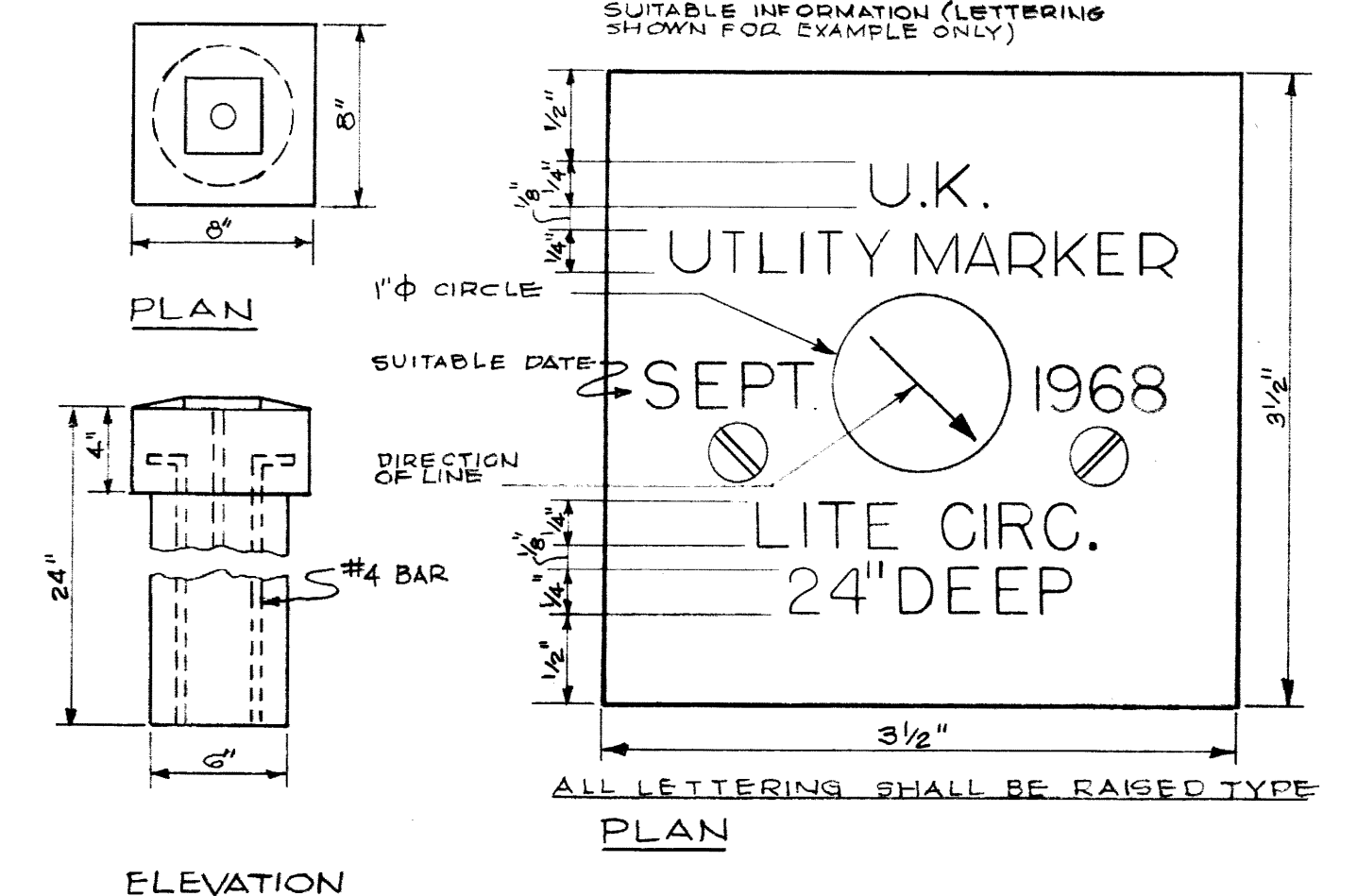
STEAM LINE RELOCATION DETAILS  
NOT TO SCALE



TYPICAL MANHOLE  
SCALE 3/4" = 1'-0"

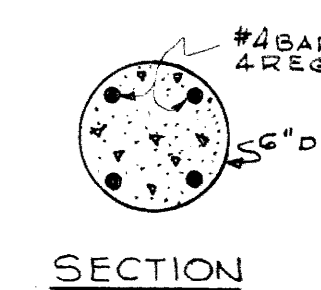


DROP MANHOLE  
SECTION D-D  
SCALE 3/4" = 1'-0"



ELEVATION

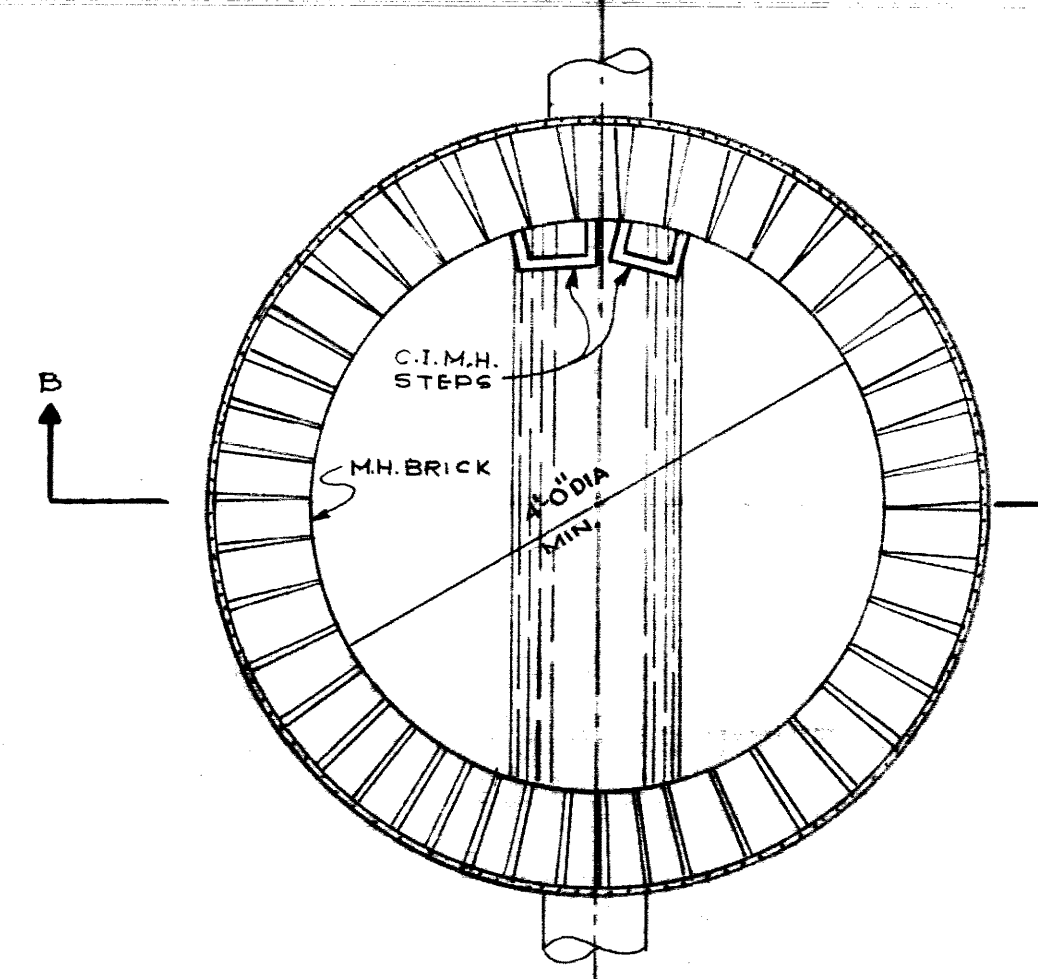
PLAN



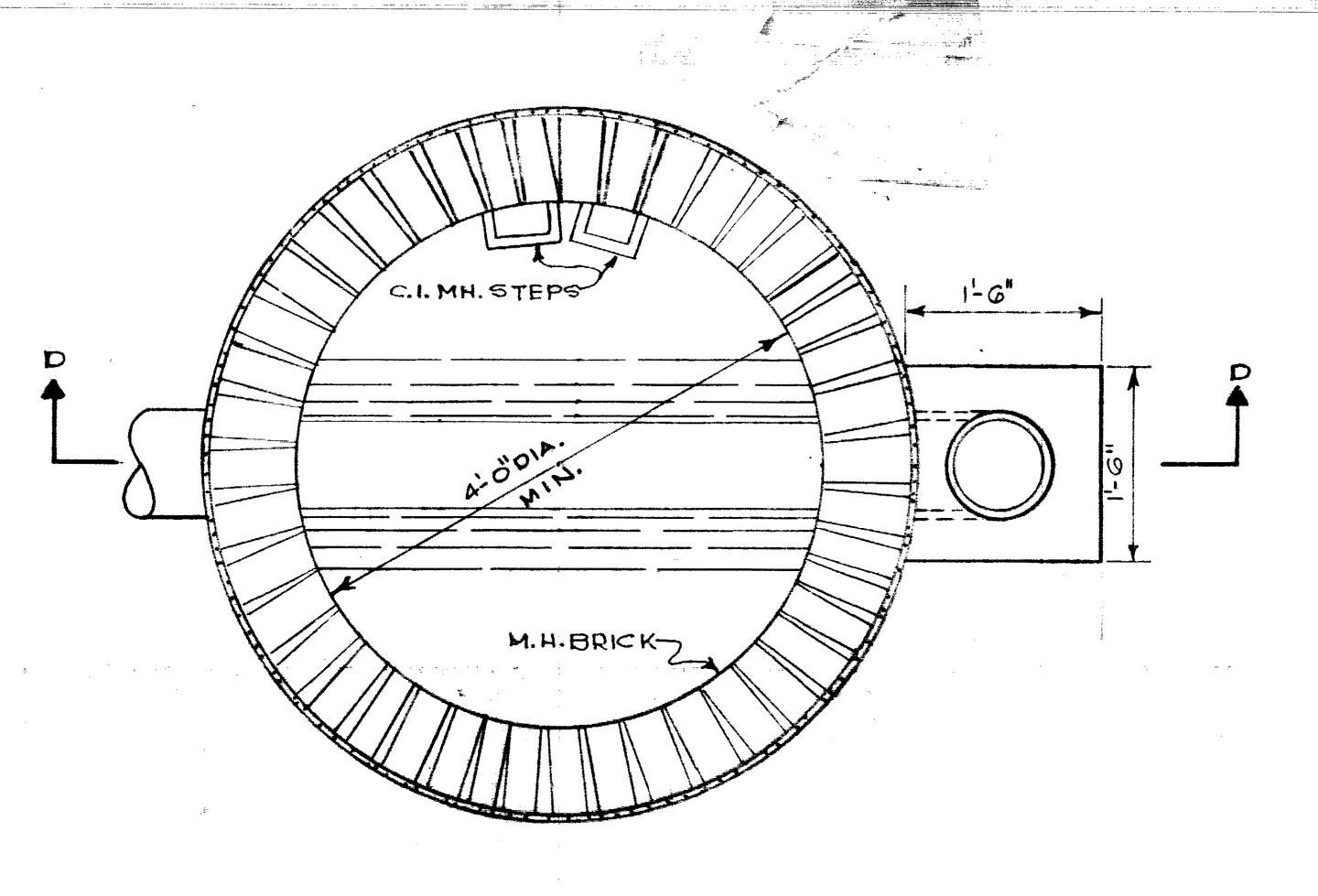
SECTION

DESCRIPTION PLATE  
FULL SCALE

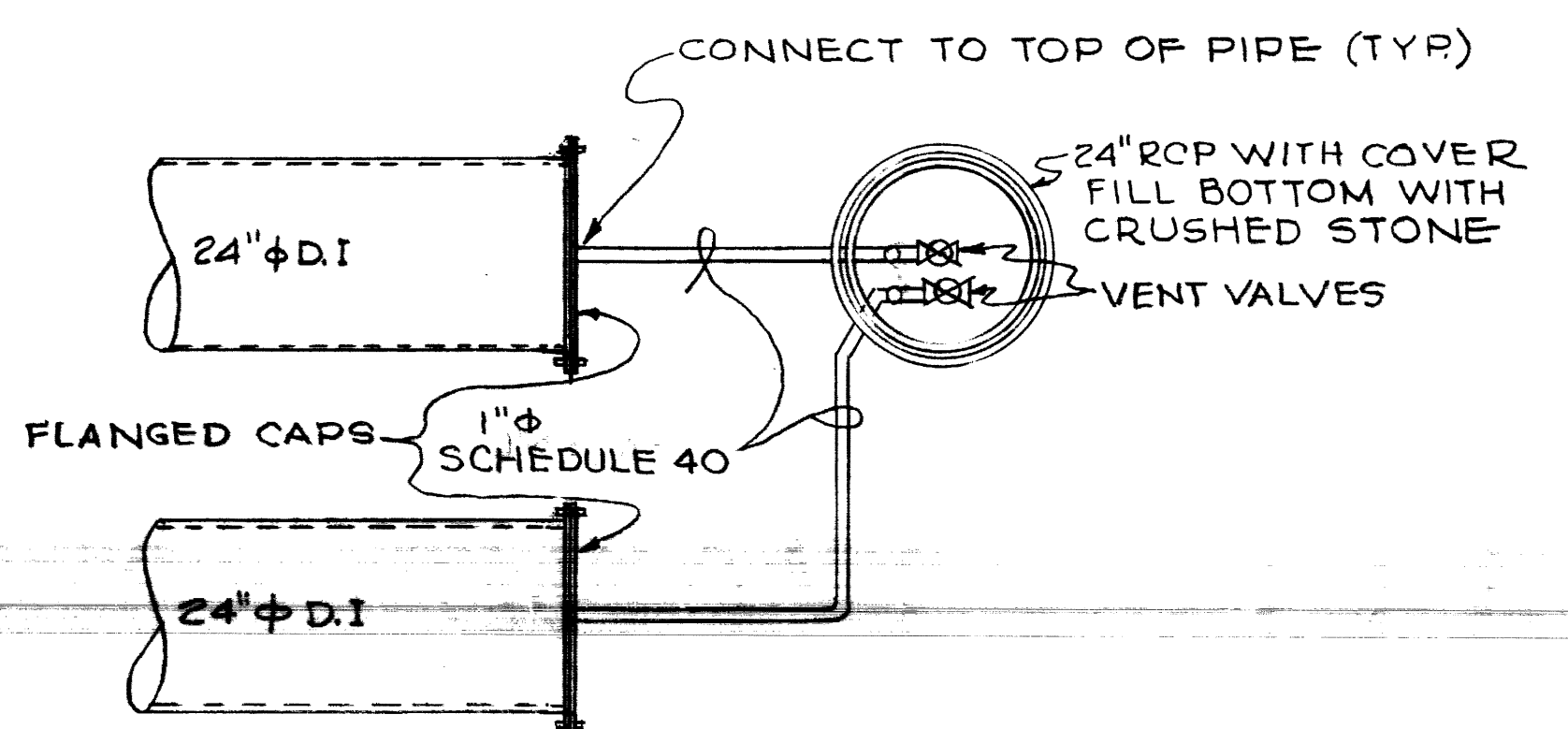
UTILITY MARKER



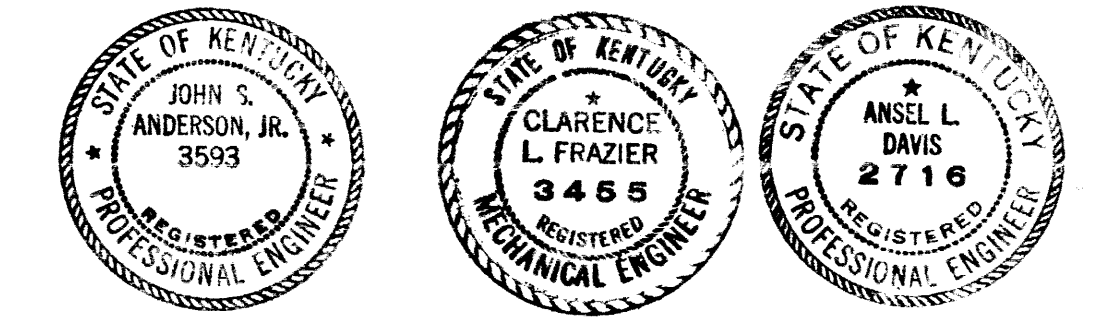
SECTION A-A  
SCALE 3/4" = 1'-0"



SECTION C-C  
SCALE 3/4" = 1'-0"



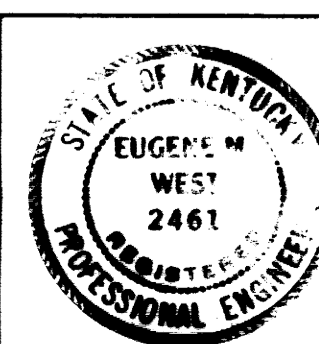
AIR VENT DETAILS  
(ON CHILLED WATER LINES  
FOR FUTURE USE)  
NOT TO SCALE



UTILITY DISTRIBUTION (11-CW-2) UNIVERSITY OF KENTUCKY LEXINGTON, KENTUCKY		
DESIGNED BY G. JOHNSON	DETAILS	DATE MAR. 27, 1968
TRACED BY G. JOHNSON	ENGINEERS PROCTOR-INGELS & ASSOC. CONSULTING ENGINEERS	SCALE AS SHOWN
CHECKED BY MAY 9 1968	COMMONWEALTH OF KENTUCKY DEPARTMENT OF FINANCE DIVISION OF ENGINEERS FRANKFORT, KENTUCKY	JOB NO. DRAWING NO. 7
APPROVED BY <i>W. J. Mc Connell</i>	AGENCY HEAD	DATE 4/5/68
APPROVED BY <i>W. J. Mc Connell</i>	CHIEF OF STAFF	DATE 5/20/68
APPROVED BY <i>W. J. Mc Connell</i>	DIRECTOR	DATE 5/20/68

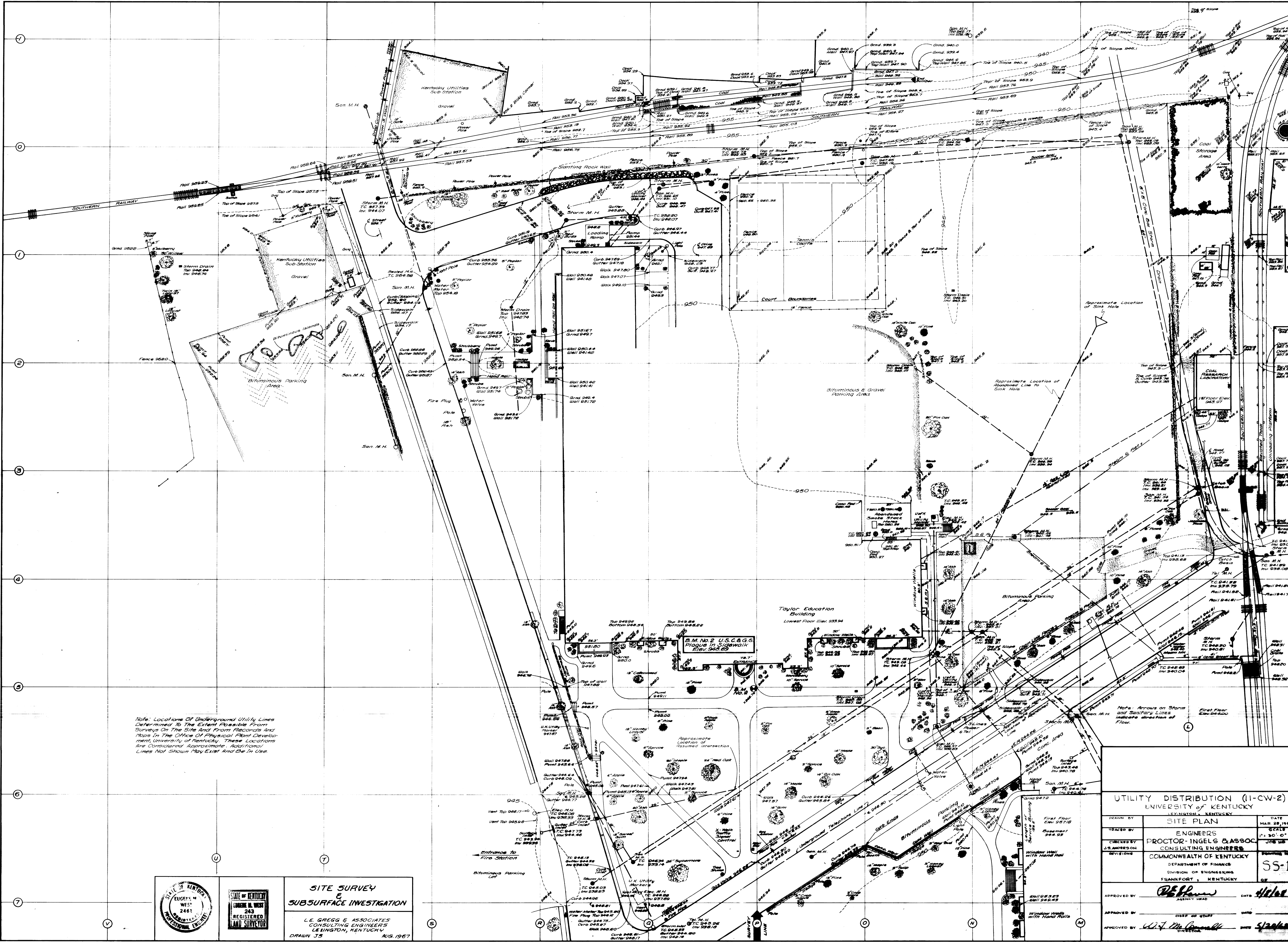
"AS-BUILT DRAWING"  
THIS DRAWING HAS BEEN CORRECTED  
TO INDICATE CHANGES MADE DURING  
CONSTRUCTION.  
PROCTOR-DAVIS-RAY  
CONSULTING ENGINEERS

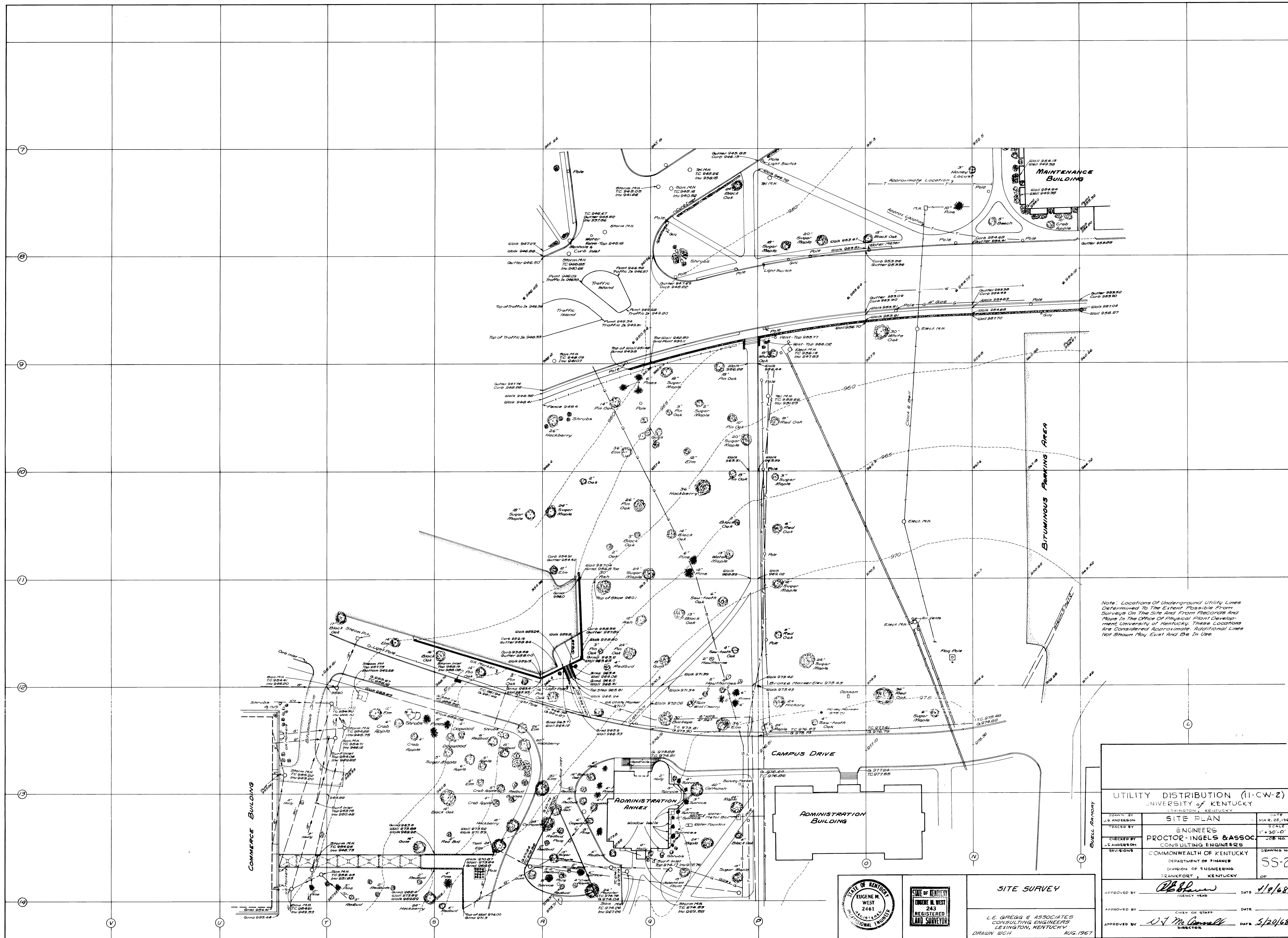
Note: Locations of Underground Utility Lines Determined To The Extent Possible from Surveys On The Site And From Records And Maps In The Office Of Physical Plant Development, University of Kentucky. These Locations are Considered Approximate. Additional Lines Not Shown May Exist And Be In Use.



**SITE SURVEY & SUBSURFACE INVESTIGATION**  
 L.E. GREGG & ASSOCIATES  
 CONSULTING ENGINEERS  
 LEXINGTON, KENTUCKY  
 DRAWN J5 AUG. 1967

UTILITY DISTRIBUTION (11-CW-2) UNIVERSITY OF KENTUCKY LEXINGTON, KENTUCKY		DATE MAR. 28, 1968
SITE PLAN		SCALE 1" = 30' 0"
DRAWN BY EUGENES W. WEST	ENGINEERS	JOB NO.
TRACED BY	PROCTOR-INGELS & ASSOC.	55-1
CHECKED BY J.S. ANDERSON	CONSULTING ENGINEERS	DEPARTMENT OF FINANCE
REVISIONS	COMMONWEALTH OF KENTUCKY	FRANKFORT, KENTUCKY
APPROVED BY <i>[Signature]</i>	AGENCY HEAD	DATE 4/10/68
APPROVED BY <i>[Signature]</i>	CHIEF OF STAFF	DATE
APPROVED BY <i>[Signature]</i>	DISTRICT	DATE 5/20/68

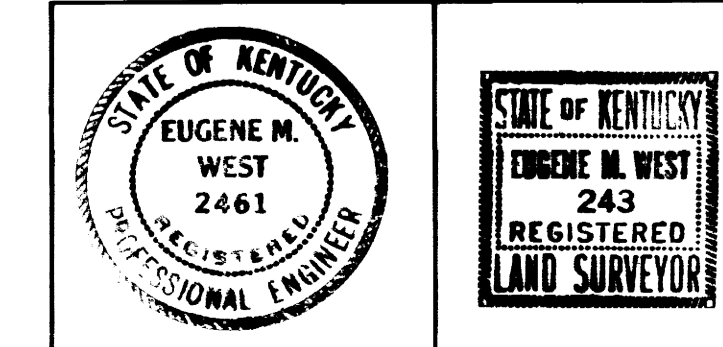




Notes: Locations Of Underground Utility Lines Determined To The Extent Possible From Surveys On The Site And From Records And Maps In The Office Of Physical Plant Development, University of Kentucky. These Locations Are Considered Approximate. Additional Lines Not Shown May Exist And Be In Use.

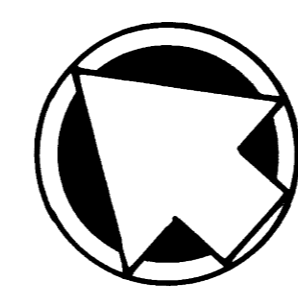
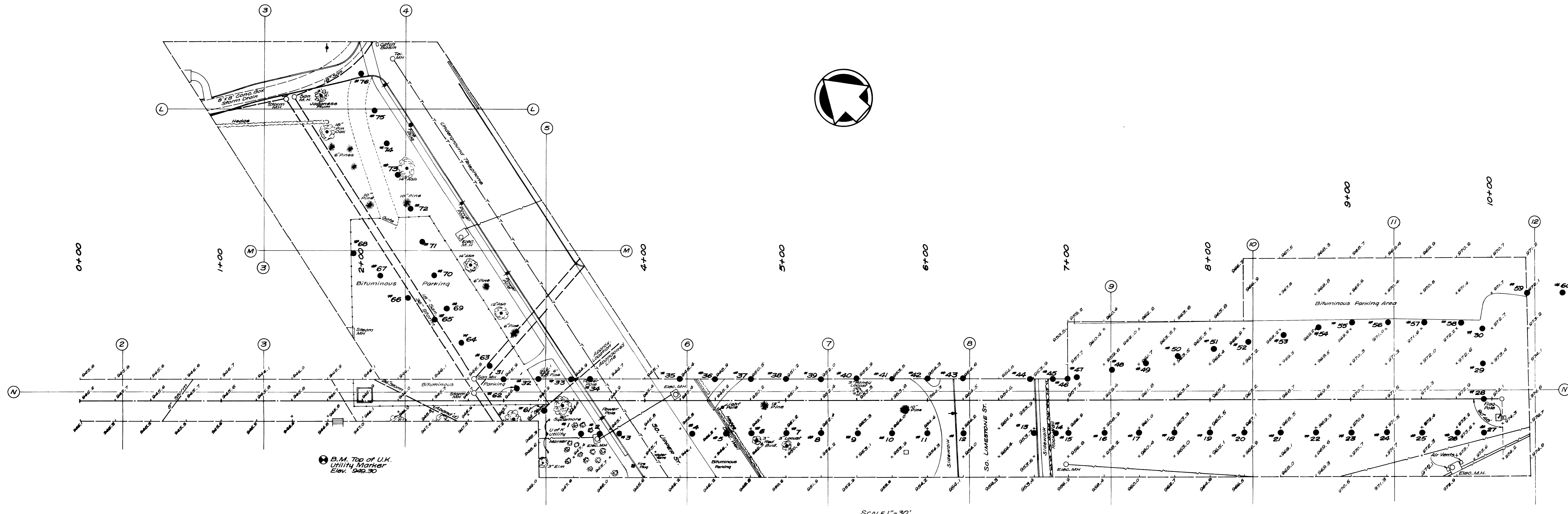
UTILITY DISTRIBUTION (11-CW-2) UNIVERSITY OF KENTUCKY LEXINGTON, KENTUCKY		
DESIGNED BY L. SANDERSON	SITE PLAN	DATE MAR. 22, 1968
CHECKED BY L. SANDERSON	ENGINEERS PROCTOR, INGELS & ASSOC. CONSULTING ENGINEERS	SCALE 1" = 30'-0"
REVISIONS	COMMONWEALTH OF KENTUCKY DEPARTMENT OF FINANCE DIVISION OF ENGINEERING FRANKFORT, KENTUCKY	JOB NO. 55-2

APPROVED BY: *[Signature]* DATE: 4/9/68  
 AGENCY HEAD  
 APPROVED BY: \_\_\_\_\_ DATE: \_\_\_\_\_  
 CHIEF OF STAFF  
 APPROVED BY: *[Signature]* DATE: 5/20/68  
 DIRECTOR



SITE SURVEY  
 L. E. GREGG & ASSOCIATES  
 CONSULTING ENGINEERS  
 LEXINGTON, KENTUCKY  
 DRAWN WGH AUG. 1967





SCALE 1"=30'

**RESULTS OF SUBSURFACE INVESTIGATION**

BORING NO.	APPROX. SURFACE ELEV.	DEPTH IN FEET	APPROX. BOTTOM ELEV.	BORING NO.	APPROX. SURFACE ELEV.	DEPTH IN FEET	APPROX. BOTTOM ELEV.	BORING NO.	APPROX. SURFACE ELEV.	DEPTH IN FEET	APPROX. BOTTOM ELEV.	BORING NO.	APPROX. SURFACE ELEV.	DEPTH IN FEET	APPROX. BOTTOM ELEV.
1	947.2	20.0	927.2	20	967.1	7.5	959.6	39	952.0	2.2	959.8	58	972.2	14.3	957.9
2	945.5	20.0	925.5	21	968.5	9.0	959.5	40	952.9	2.4	955.5	59	972.1	10.5	961.6
3	945.2	2.5	942.7	22	969.9	8.5	961.4	41	953.5	11.3	942.2	60	972.5	9.5	963.0
4	946.0	2.6	943.4	23	970.8	9.2	961.6	42	954.3	4.1	950.2	61	945.7	12.0	933.7
5	946.5	3.1	943.4	24	971.5	9.5	962.0	43	954.6	3.0	951.6	62	945.9	12.0	933.9
6	949.5	4.5	945.0	25	972.4	9.6	962.8	44	953.9	2.2	951.7	63	945.8	12.0	933.8
7	951.0	5.6	945.4	26	973.2	10.5	962.7	45	957.0	5.5	951.5	64	946.3	4.1	942.2
8	952.4	1.4	951.0	27	973.8	11.2	962.6	46	957.6	5.2	952.4	65	946.2	5.7	940.5
9	953.3	3.9	949.4	28	973.5	12.0	961.5	47	957.9	6.1	951.8	66	946.2	5.3	940.9
10	954.0	2.5	951.5	29	973.2	10.8	962.4	48	960.7	2.2	958.5	67	946.0	8.0	938.0
11	954.4	4.6	949.8	30	972.6	12.0	960.6	49	962.5	1.5	961.0	68	946.0	12.0	934.0
12	954.2	3.0	951.2	31	945.9	10.0	935.9	50	964.3	1.9	962.4	69	946.1	5.5	940.6
13	953.7	1.0	951.0	32	945.7	10.0	935.7	51	965.9	3.0	962.9	70	946.0	5.6	940.4
14	956.5	4.9	951.6	33	944.9	10.0	934.9	52	967.4	4.5	962.9	71	945.8	7.0	938.8
15	956.9	6.2	950.7	34	944.5	4.5	940.0	53	968.6	5.7	962.9	72	946.0	10.0	936.0
16	958.9	2.5	956.4	35	945.4	3.3	942.1	54	969.5	8.0	961.5	73	945.9	10.0	935.9
17	961.0	4.8	956.2	36	948.9	4.0	944.9	55	970.2	8.4	961.8	74	945.4	10.0	935.4
18	963.3	4.3	959.0	37	950.5	6.1	944.4	56	971.0	11.3	959.7	75	943.2	10.0	933.2
19	965.5	4.0	961.5	38	951.2	6.6	944.6	57	971.6	11.0	960.6	76	941.9	2.0	939.9

• Indicates No Rock Encountered.

Note: Locations of Underground Utility Lines Determined To The Extent Possible From Surveys On The Site And From Records And Maps In The Office Of Physical Plant Development, University Of Kentucky. These Locations Are Considered Approximate. Additional Lines Not Shown May Exist And Be In Use.

STATE OF KENTUCKY  
EUGENE M. WEST  
243  
REGISTERED  
LAND SURVEYOR

STATE OF KENTUCKY  
EUGENE M. WEST  
2461  
REGISTERED  
ENGINEER

STATE OF KENTUCKY  
L. E. GREGG  
1453  
REGISTERED  
PROFESSIONAL ENGINEER

SITE SURVEY & SUBSURFACE INVESTIGATION  
L. E. GREGG & ASSOC.  
CONSULTING ENGINEERS,  
LEXINGTON, KY.  
DRAWN BY: JCS  
Nov, 1967

UTILITY DISTRIBUTION (31-CW-2)  
UNIVERSITY OF KENTUCKY  
LEXINGTON, KENTUCKY

DESIGN BY: JCS OF BORINGS DATE: MAR. 25, 1968

CHECKED BY: ENGINEERS DATE: 11/23/67

TRACED BY: PROCTOR-INGELS & ASSOC. CONSULTING ENGINEERS JOB NO. 6704

REVISIONS: COMMONWEALTH OF KENTUCKY DEPARTMENT OF FINANCE DIVISION OF ENGINEERING FRANKFORT, KENTUCKY DRAWING NO. SS-3 OF 3

APPROVED BY: [Signature] AGENCY HEAD DATE: 4/8/68

APPROVED BY: [Signature] CHIEF OF STAFF DATE: 5/29/68

APPROVED BY: [Signature] DIRECTOR DATE: 5/29/68