

# Review Comments



**Affiliated Engineers, Inc.**

10 S. LaSalle Street  
Chicago, IL 60603  
Tel 312.977.2800 • Fax 312.977.2801

---

University of Kentucky – Research Building 2	15576-00
<small>Project Name</small>	<small>Project Number</small>
Heat Recovery Coils	2/20/19
<small>Description</small>	<small>Date</small>
23A 23 7214-02-00	
<small>Submittal Identification Number</small>	
CJA	1 of 1
<small>Reviewer</small>	<small>Page</small>

---

- Action:**
- Approved as Submitted
  - Approved as Noted (Refer to Individual Items Below)
    - Resubmittal Not Required
    - Resubmit Noted Portions Only
    - Resubmit
  - Not Approved
  - Reviewed Only/No Approval Action Required
  - Review Not Required by Contract Documents
  - Other

Reviewed only for general conformance with design concept and information given in the Contract Documents. Corrections or comments made by reviewer on the submittal do not relieve the contractor from compliance with of the Contract Documents. Approval of a specific item shall not infer approval of an assembly of which the item is a component. The contractor is responsible for all dimensions, field conditions, coordination with other trades, and information that pertains solely to the fabrication process.

**237214**

## **HEAT RECOVERY EQUIPMENT**

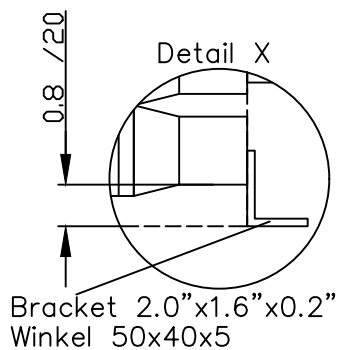
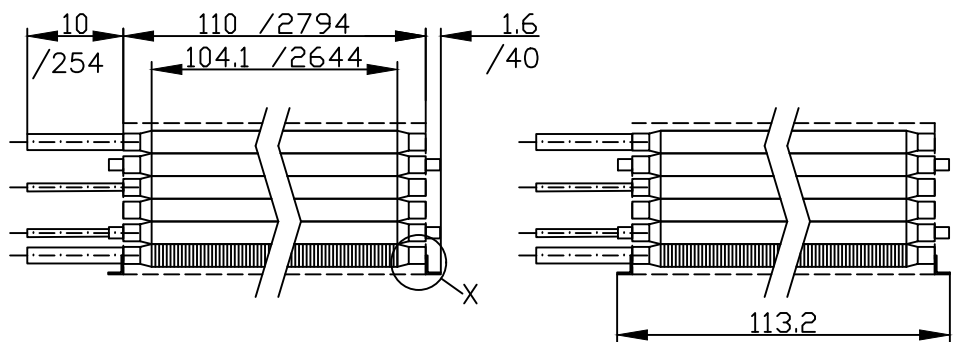
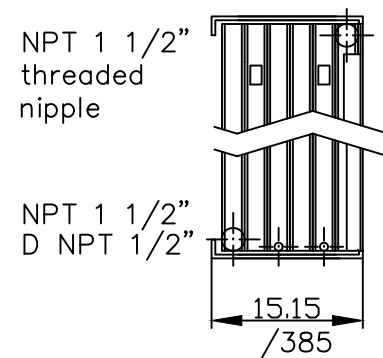
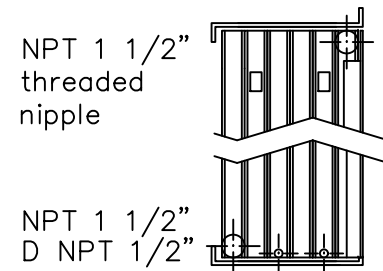
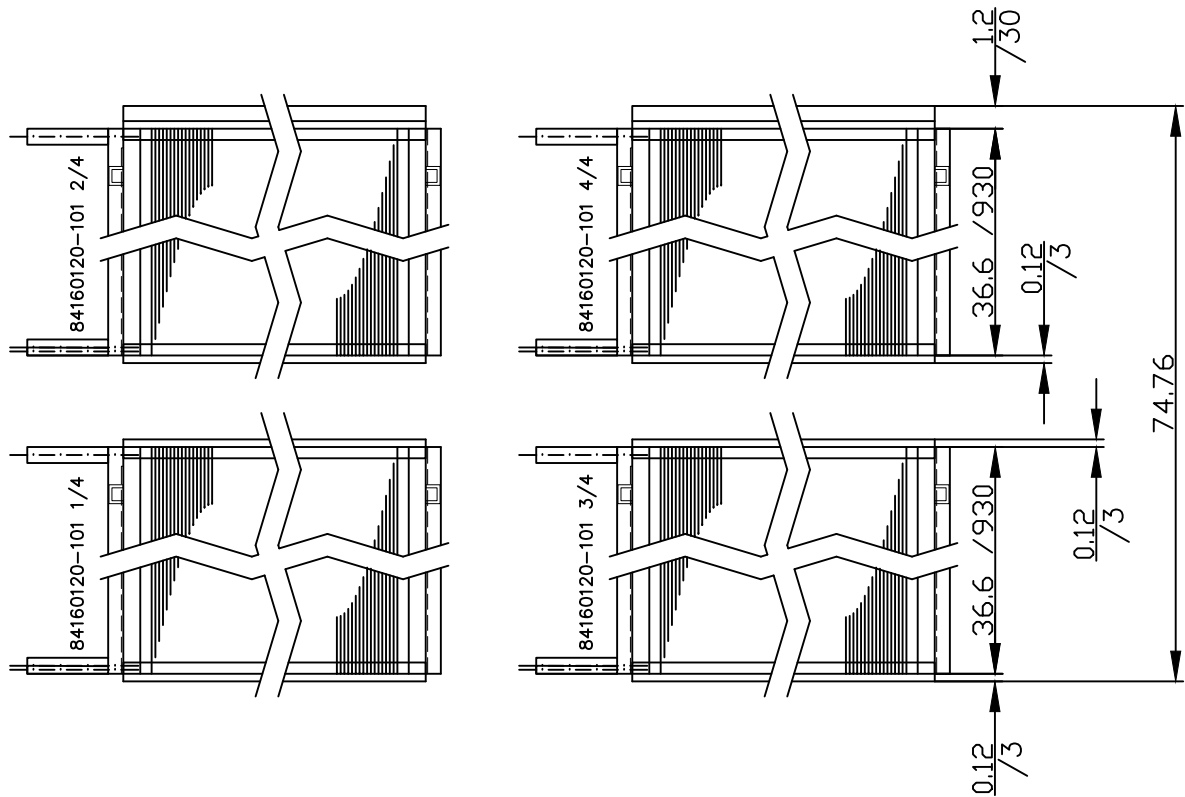
### **Table of Contents**

#### 26. Heat Recovery Coils

- AHU-1
- AHU-3
- AHU-5
- AHU-6
- EAHU-1
- EAHU-2
- EAHU-3
- EAHU-4

### **Vendor**

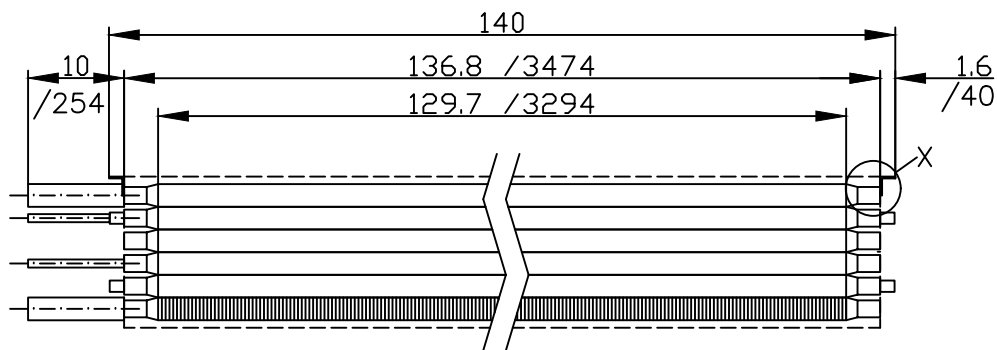
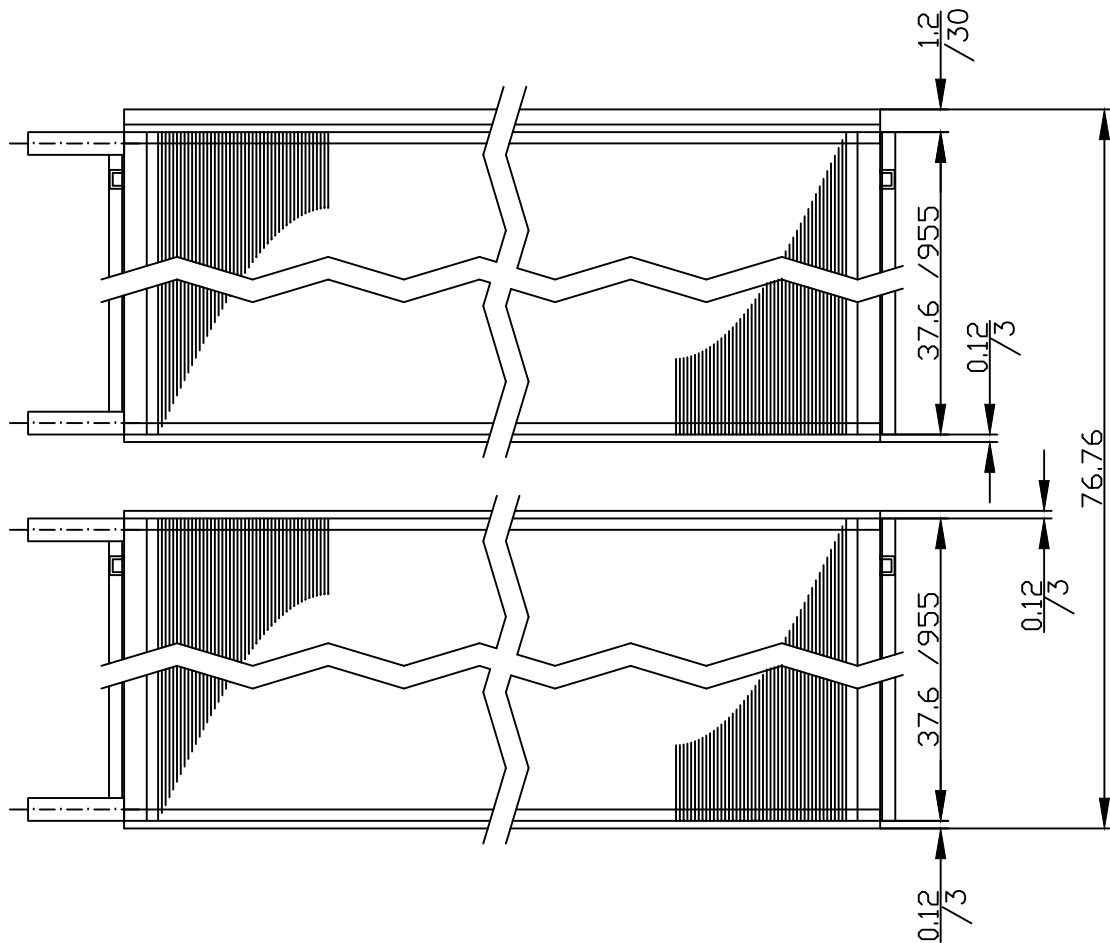
Konvekta USA, Inc.  
5 Independence Way  
3<sup>rd</sup> Floor #95  
Princeton, NJ 08540  
PH: 724.462.8207



D = Drainage  
 PIPE CONNECTION IN COUNTERFLOW inches/mm

Konvekta USA Inc, Princeton Project: University of Kentucky Research Building 2		<b>konvekta</b> 9015 ST.GALLEN-WINKELN TEL. 071 311 16 16	
HEAT EXCHANGER		DATE	06.03.2017 Mes
MAKE: AHU 1 +/- 0.2"/5mm		SCALE	1 : 20
		COMMISSION	84160120-101

Weight per unit: drained 1257 lbs, operating weight 1543 lbs



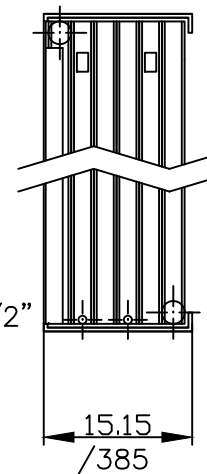
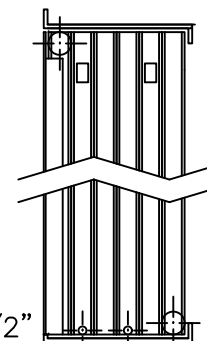
Weight per unit: drained 1609 lbs, operating weight 1978 lbs

NPT 2" threaded nipple

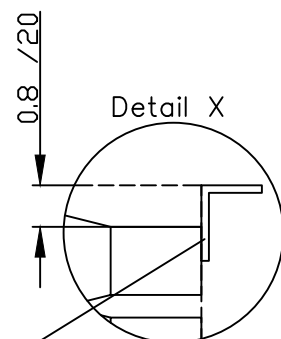
NPT 2" D NPT 1/2"

NPT 2" threaded nipple

NPT 2" D NPT 1/2"



air flow direction  
A



D = Drainage  
PIPE CONNECTION IN COUNTERFLOW inches/mm

Konvekta USA Inc, Princeton  
Project: University of Kentucky  
Research Building 2

**konvekta**

9015 ST.GALLEN-WINKELN  
TEL. 071 311 16 16

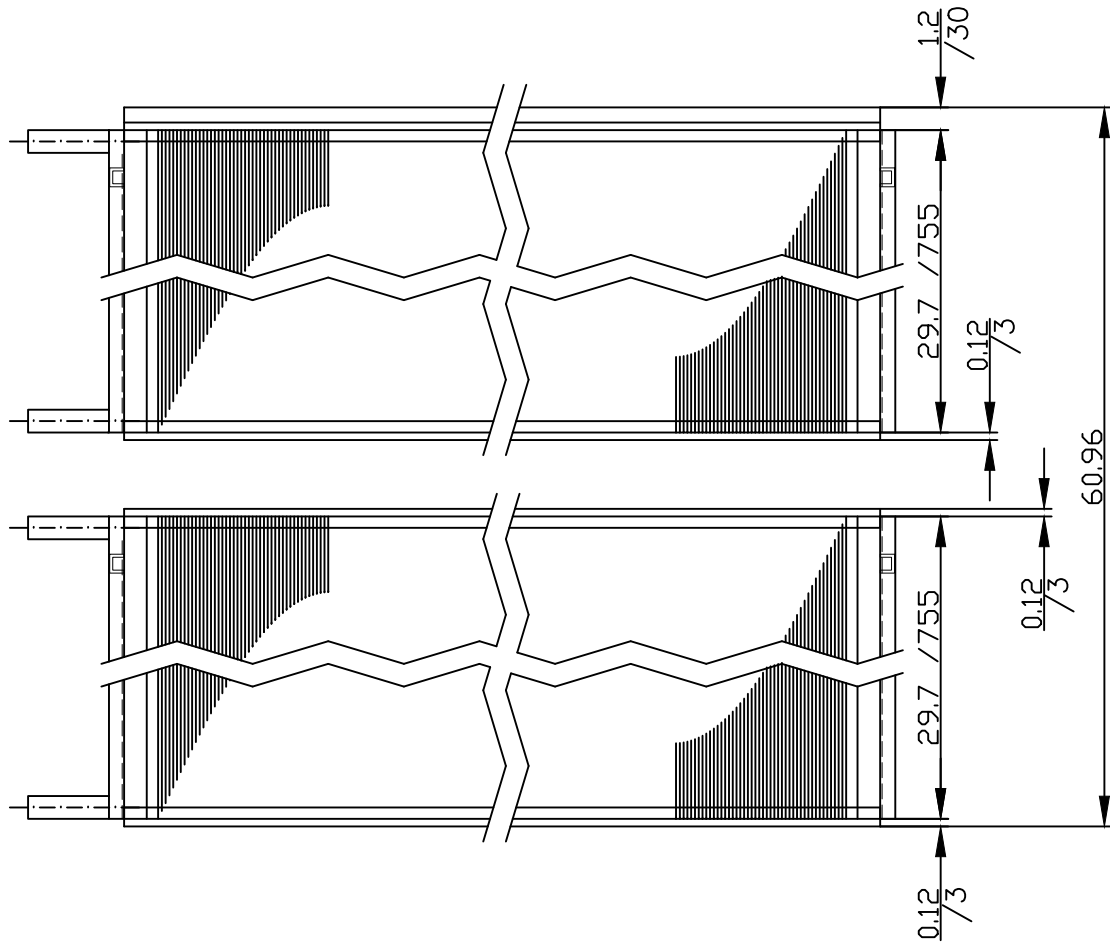
HEAT EXCHANGER

MAKE: AHU 3  
+/- 0.2"/5mm

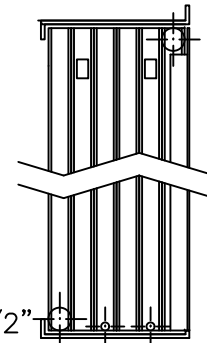
DATE 06.03.2017 Mes

SCALE 1 : 20

COMMISSION 84160120-102



NPT 2" threaded nipple

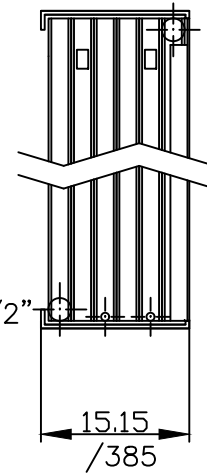


84160120-103 2/2

NPT 2" D NPT 1/2"

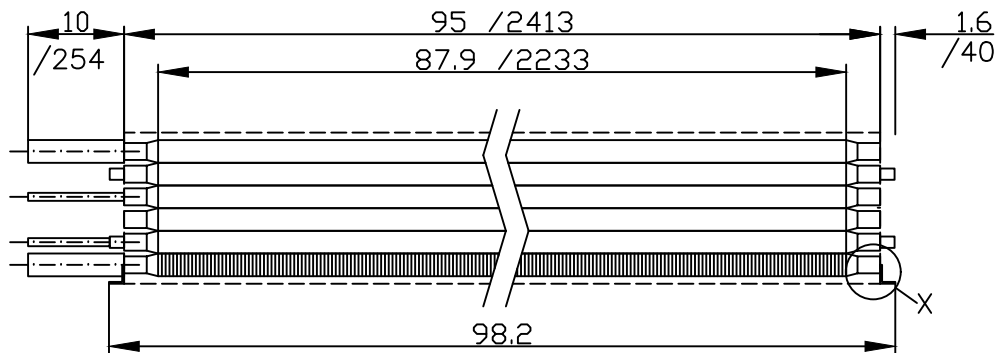
air flow direction  
B

NPT 2" threaded nipple

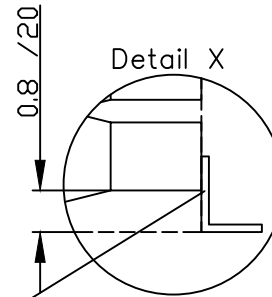


84160120-103 1/2

NPT 2" D NPT 1/2"



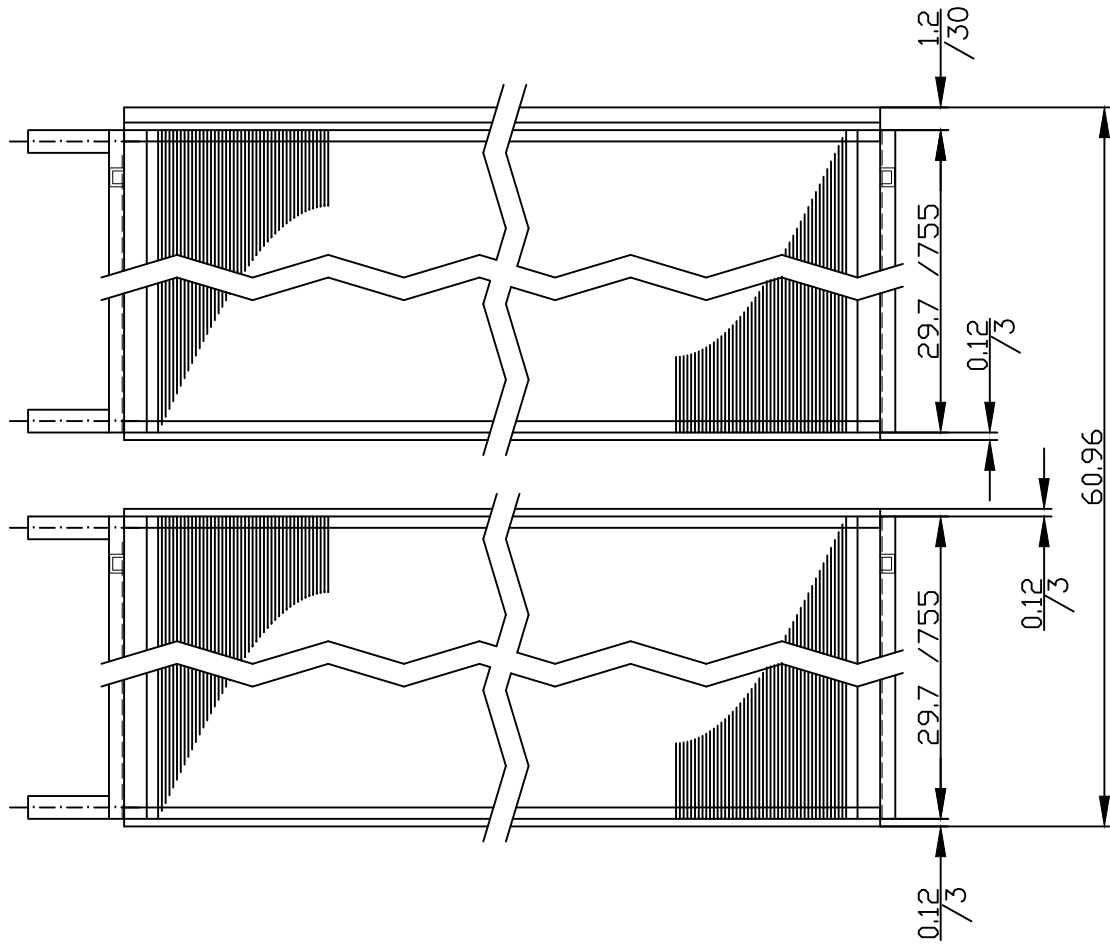
Weight per unit: drained 904 lbs, operating weight 1116 lbs



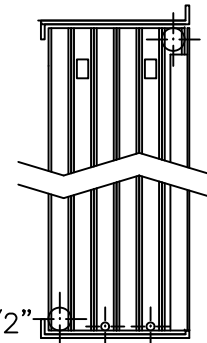
Bracket 2.0"x1.6"x0.2"  
Winkel 50x40x5

D = Drainage  
PIPE CONNECTION IN COUNTERFLOW inches/mm

Konvekta USA Inc, Princeton Project: University of Kentucky Research Building 2		<b>konvekta</b> 9015 ST.GALLEN-WINKELN TEL. 071 311 16 16	
HEAT EXCHANGER		DATE	06.03.2017 Mes
MAKE: AHU 5 +/- 0.2"/5mm		SCALE	1 : 20
		COMMISSION	84160120-103



NPT 2" threaded nipple

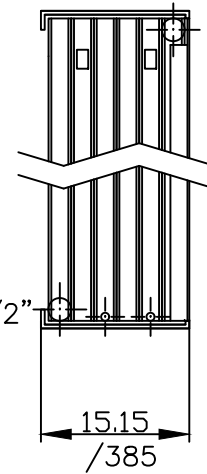


84160120-104 2/2

NPT 2" D NPT 1/2"

air flow direction  
B

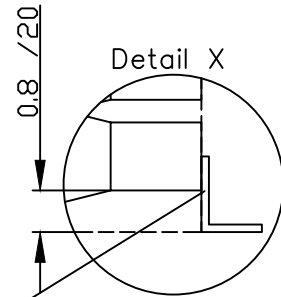
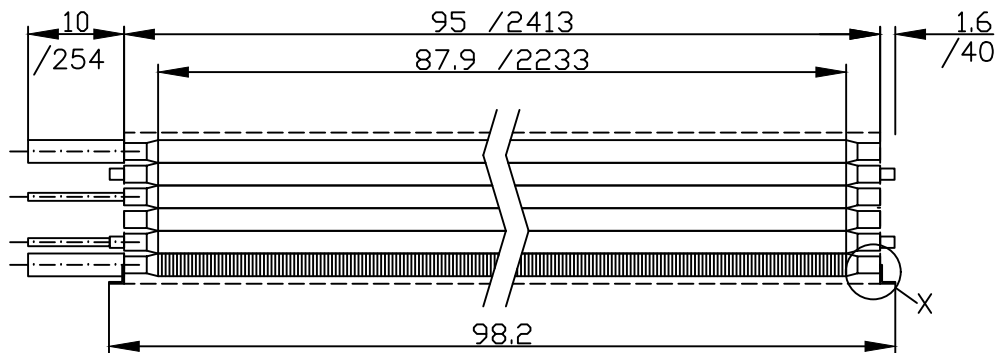
NPT 2" threaded nipple



84160120-104 1/2

NPT 2" D NPT 1/2"

15.15  
/385



Bracket 2.0"x1.6"x0.2"  
Winkel 50x40x5

D = Drainage  
PIPE CONNECTION IN COUNTERFLOW inches/mm

Konvekta USA Inc, Princeton  
Project: University of Kentucky  
Research Building 2

**konvekta**

9015 ST.GALLEN-WINKELN  
TEL. 071 311 16 16

HEAT EXCHANGER

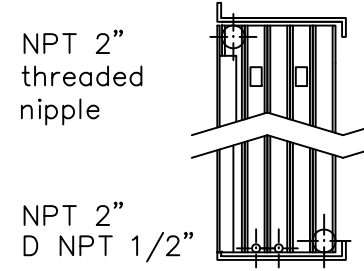
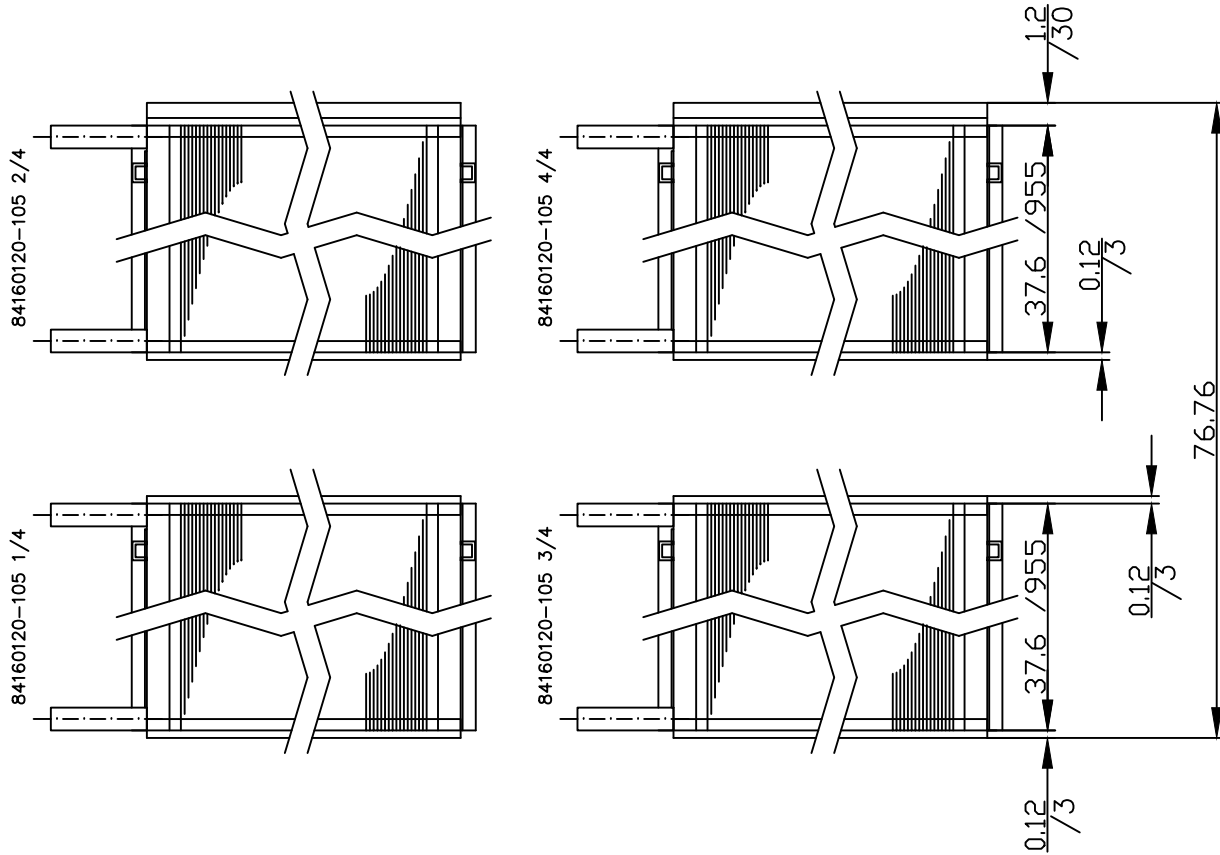
MAKE: AHU 6  
+/- 0.2"/5mm

DATE 06.03.2017 Mes

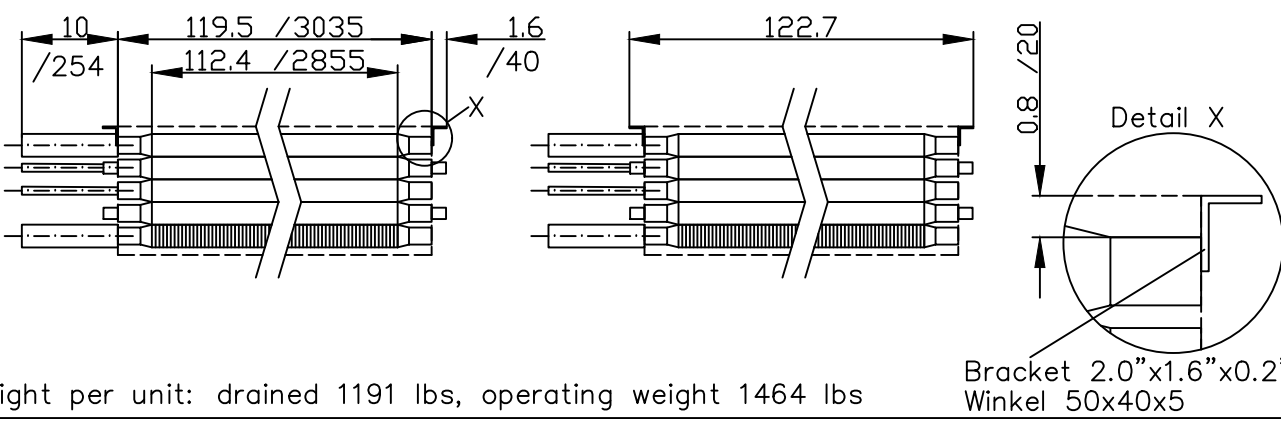
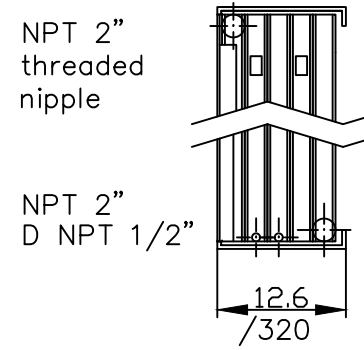
SCALE 1 : 20

COMMISSION 84160120-104

Weight per unit: drained 904 lbs, operating weight 1116 lbs



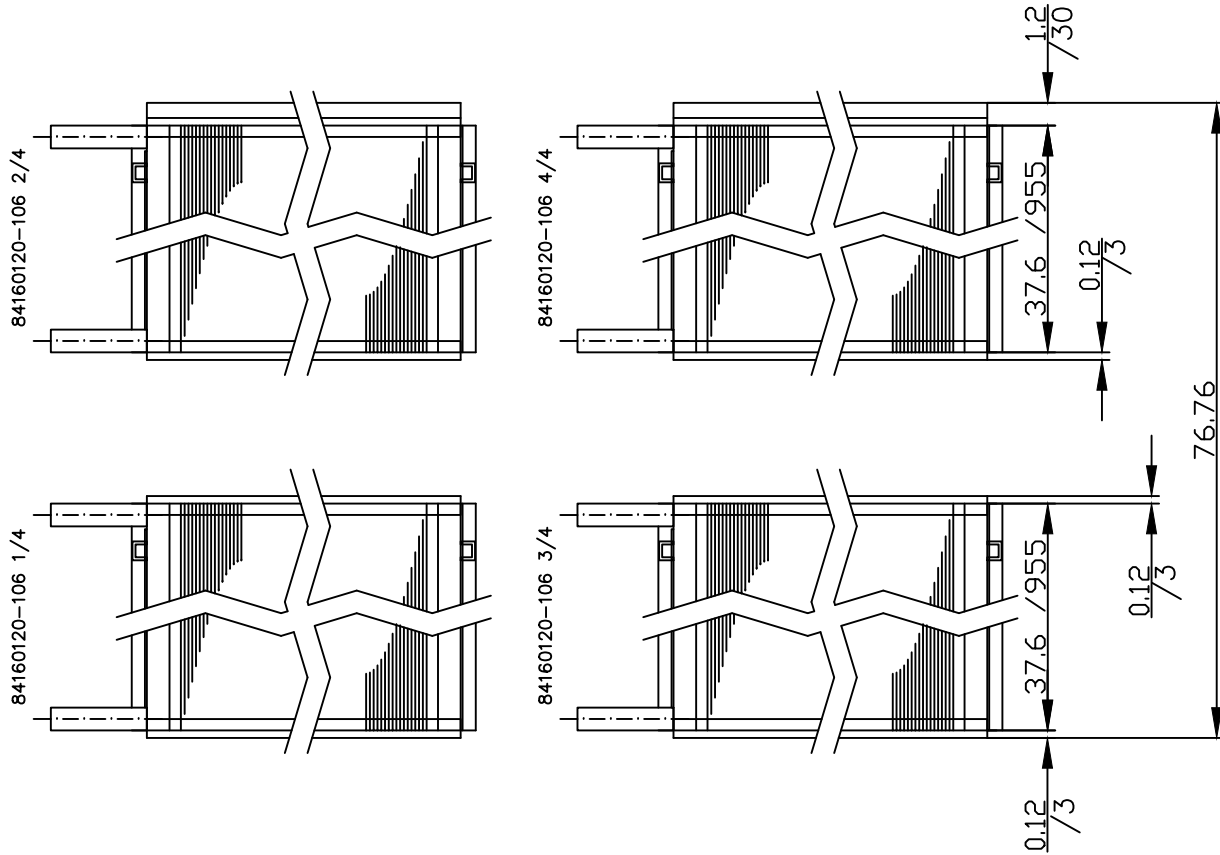
air flow direction  
A



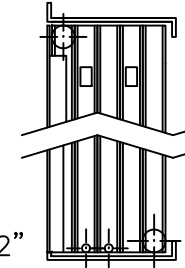
D = Drainage  
PIPE CONNECTION IN COUNTERFLOW inches/mm

Konvekta USA Inc, Princeton Project: University of Kentucky Research Building 2		<b>konvekta</b> 9015 ST.GALLEN-WINKELN TEL. 071 311 16 16	
HEAT EXCHANGER		DATE	06.03.2017 Mes
MAKE: EAHU 1 +/- 0.2"/5mm		SCALE	1 : 20
		COMMISSION	84160120-105

Weight per unit: drained 1191 lbs, operating weight 1464 lbs



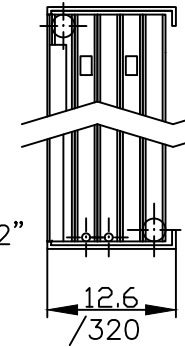
NPT 2" threaded nipple



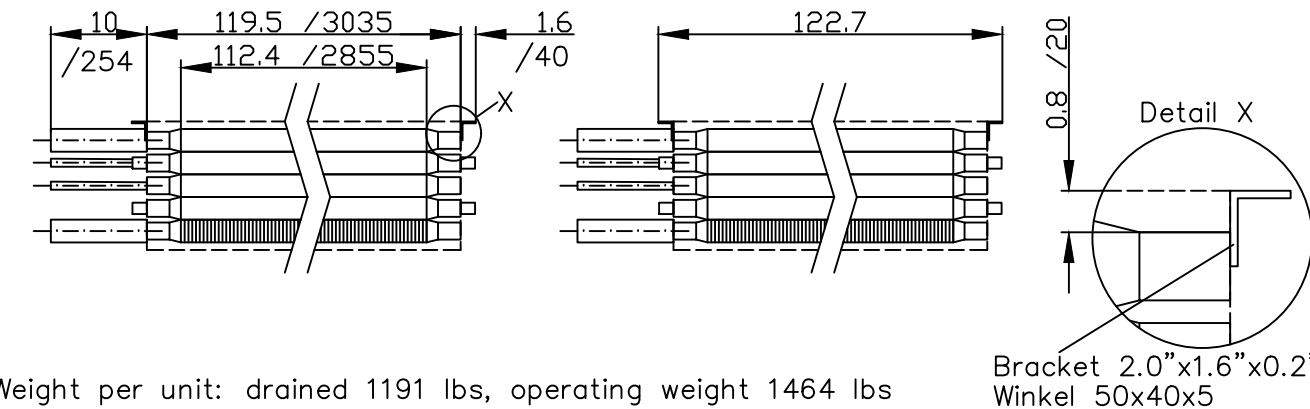
NPT 2" D NPT 1/2"

air flow direction  
A

NPT 2" threaded nipple



NPT 2" D NPT 1/2"



D = Drainage  
PIPE CONNECTION IN COUNTERFLOW inches/mm

Konvekta USA Inc, Princeton  
Project: University of Kentucky  
Research Building 2

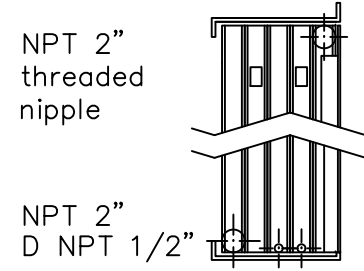
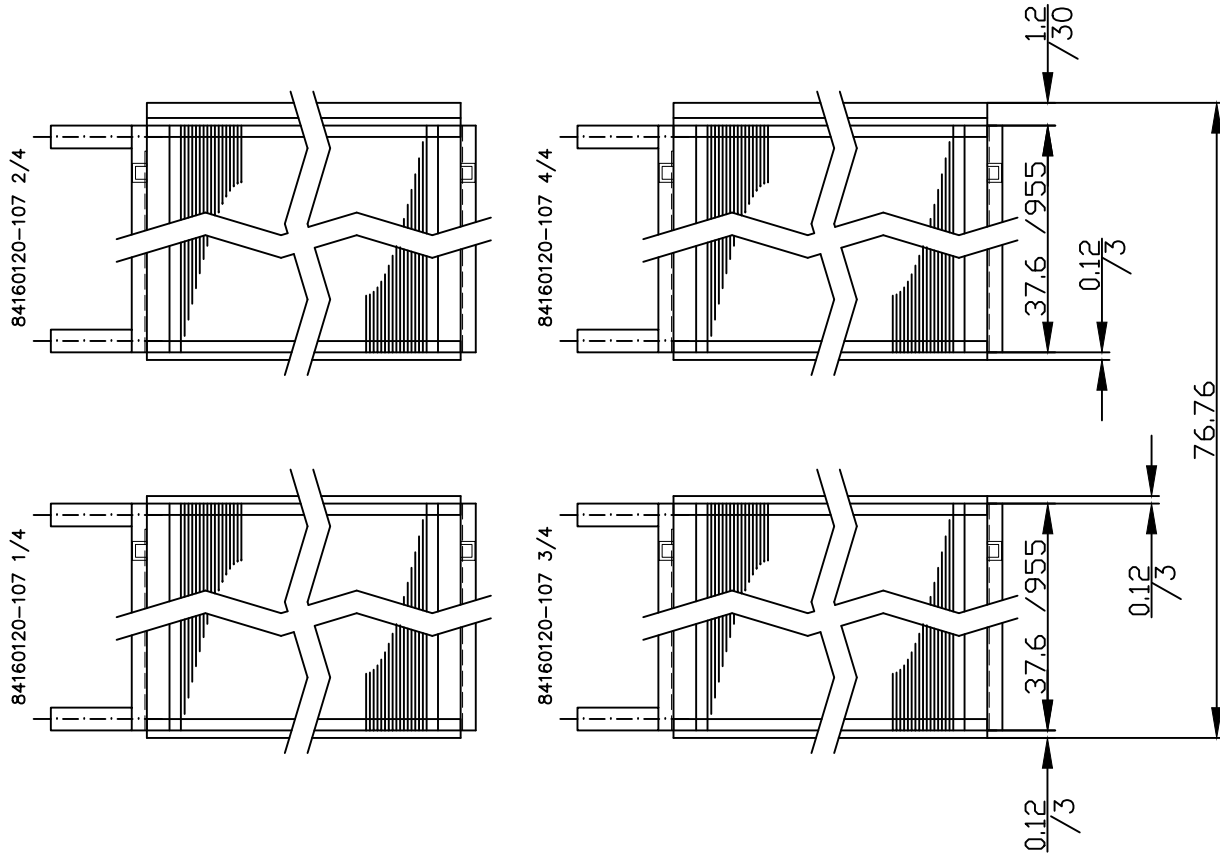
**konvekta**  
9015 ST.GALLEN-WINKELN  
TEL. 071 311 16 16

HEAT EXCHANGER  
MAKE: EAHU 2  
+/- 0.2"/5mm

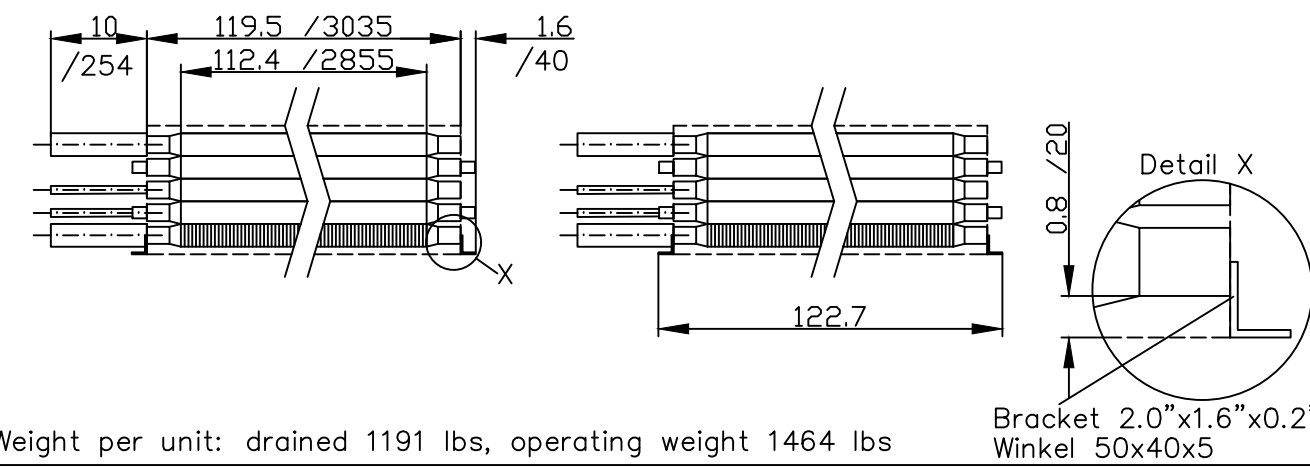
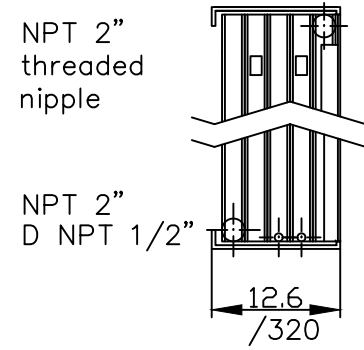
DATE	06.03.2017 Mes
SCALE	1 : 20
COMMISSION	84160120-106

Weight per unit: drained 1191 lbs, operating weight 1464 lbs





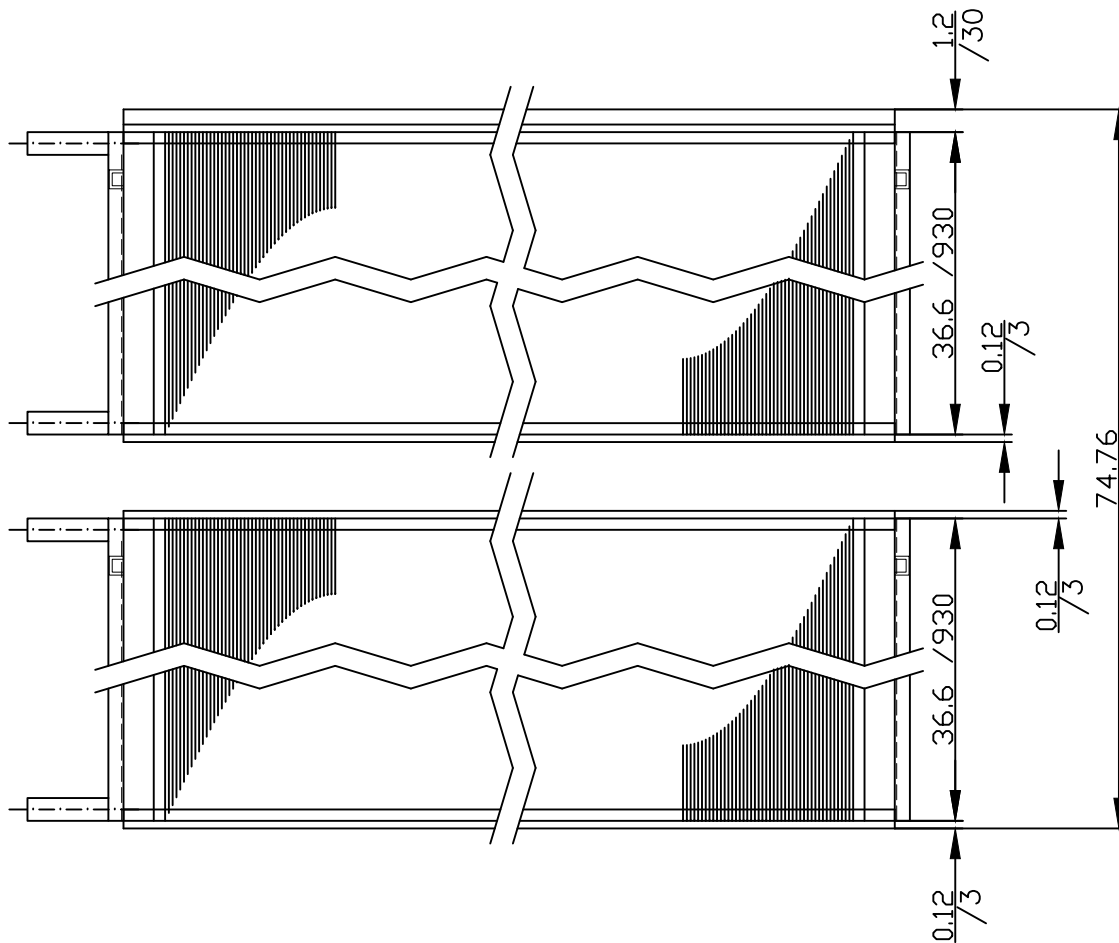
air flow direction  
 ← B



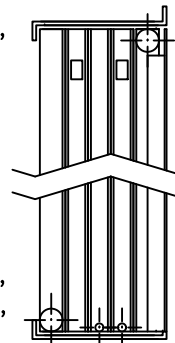
Weight per unit: drained 1191 lbs, operating weight 1464 lbs

D = Drainage  
 PIPE CONNECTION IN COUNTERFLOW inches/mm

Konvekta USA Inc, Princeton Project: University of Kentucky Research Building 2		<b>konvekta</b> 9015 ST.GALLEN-WINKELN TEL. 071 311 16 16	
HEAT EXCHANGER		DATE	06.03.2017 Mes
MAKE: EAHU 3 +/- 0.2"/5mm		SCALE	1 : 20
		COMMISSION	84160120-107

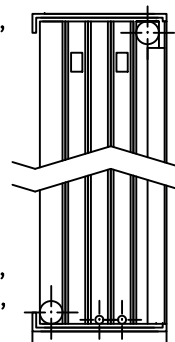


NPT 2 1/2"  
threaded  
nipple



84160120-108 2/2

NPT 2 1/2"  
D NPT 1/2"

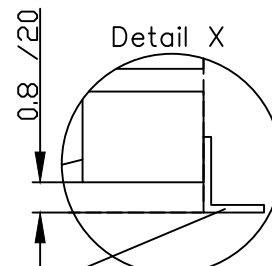
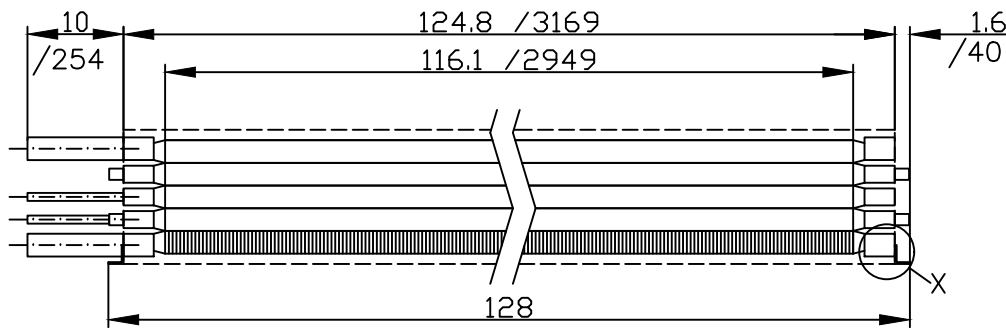
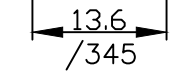


84160120-108 1/2

air flow direction  
B

NPT 2 1/2"  
threaded  
nipple

NPT 2 1/2"  
D NPT 1/2"



Bracket 2.0"x1.6"x0.2"  
Winkel 50x40x5

D = Drainage  
PIPE CONNECTION IN COUNTERFLOW inches/mm

Konvekta USA Inc, Princeton  
Project: University of Kentucky  
Research Building 2

**konvekta**

9015 ST.GALLEN-WINKELN  
TEL. 071 311 16 16

HEAT EXCHANGER

MAKE: EAHU 4  
+/- 0.2"/5mm

DATE 06.03.2017 Mes

SCALE 1 : 20

COMMISSION 84160120-108

Weight per unit: drained 1213 lbs, operating weight 1501 lbs