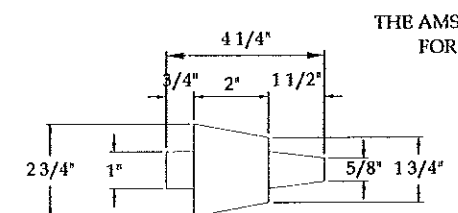
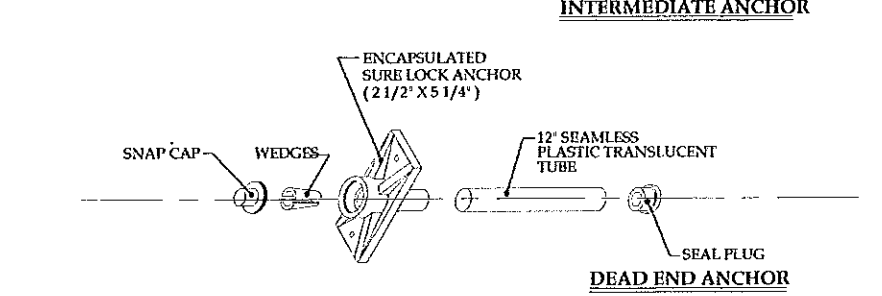
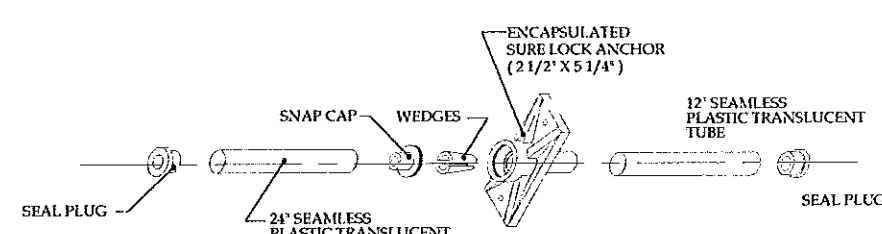
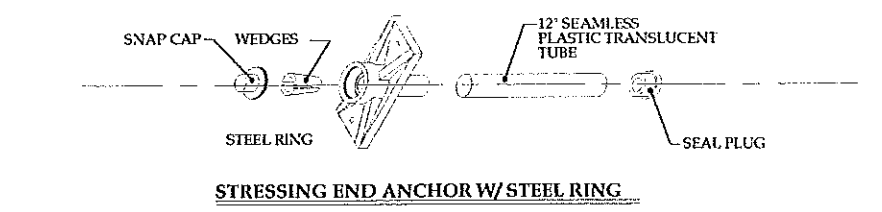
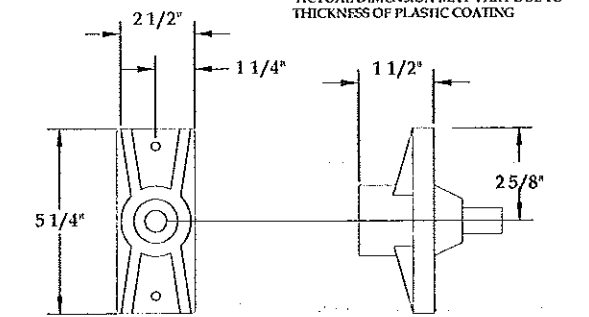
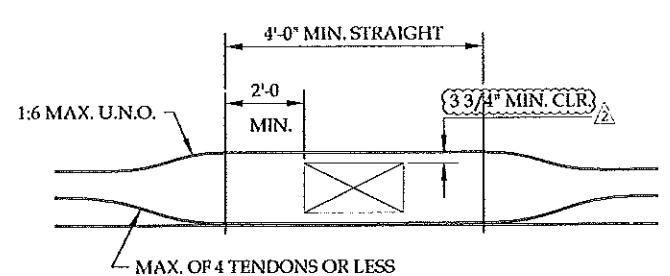
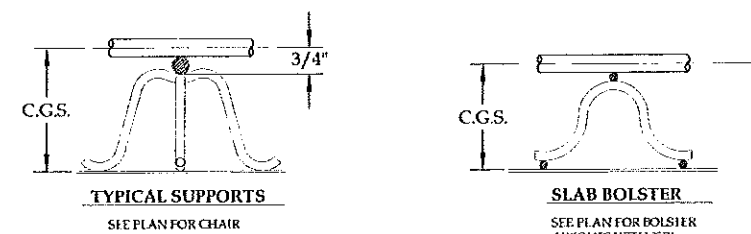
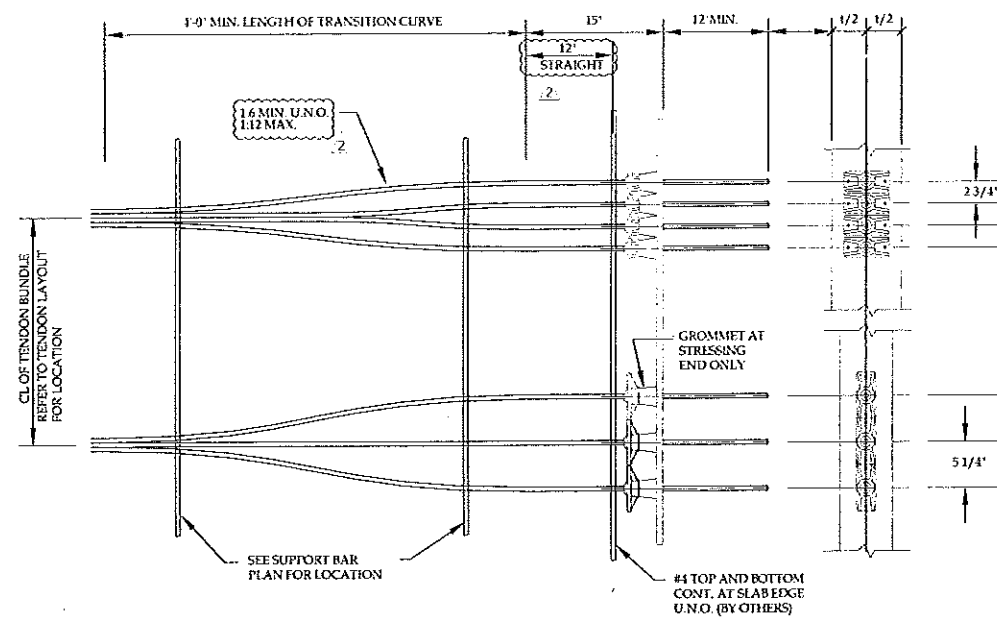
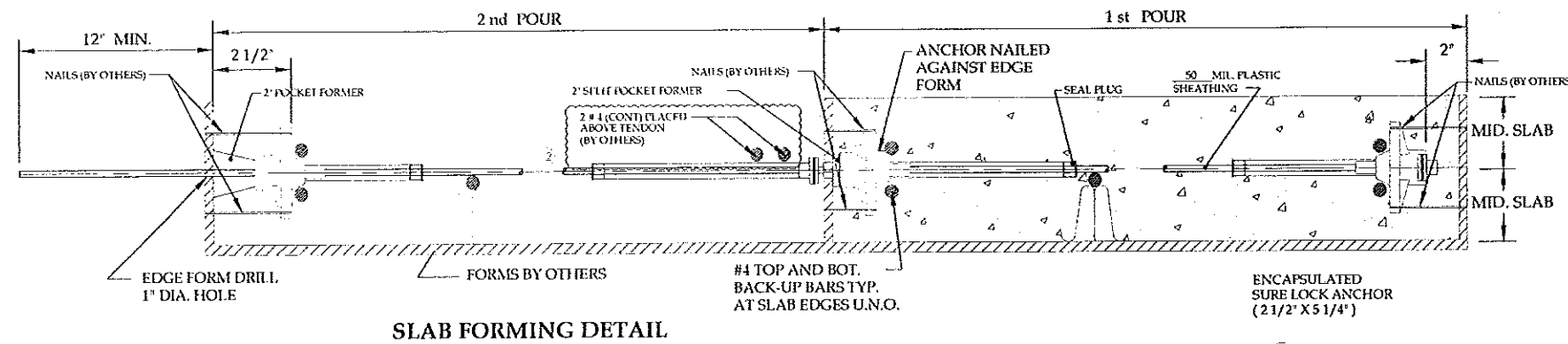
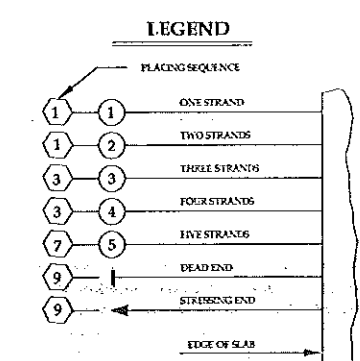


GENERAL NOTES

- I. TENDON PLACEMENT**
- THE NUMBER OF TENDONS AND SPACING IS SHOWN ON THE DRAWING. SLIGHT DEVIATIONS IN SPACING IS PERMITTED WHERE REQUIRED TO AVOID OPENINGS AND INSERTS (MAX DRIFT IS 1" PER FOOT OF RUN).
 - WHERE TENDONS INTERFERE WITH EACH OTHER, ONE TENDON MAY BE MOVED HORIZONTALLY IN ORDER TO AVOID INTERFERENCE. THE TENDON PROFILE CONTROLS IN INTERFERENCE BETWEEN TENDON AND CONDUIT.
 - PLACEMENT OF MILD STEEL REINFORCING SHALL BE COORDINATED WITH THE PLACEMENT OF POST-TENSIONING TENDONS. PROPER TENDON PLACEMENT HAS PRIORITY.
 - TENDONS SHALL CLEAR OPENINGS AND DRAINS BY A MINIMUM OF 3 INCHES.
 - ALL SUPPORT STEEL AND POST-TENSIONING TENDONS SHALL BE FIRMLY SECURED IN FORMS TO OBTAIN THE DIMENSIONS AND LOCATION SHOWN ON THE PLACING DRAWINGS.
 - ALL SUPPORT AND BACK-UP BARS AS WELL AS THE SUPPORT CHAIRS MUST BE INSTALLED PER APPROVED SHOP DRAWINGS. IF ANY OF THESE ITEMS ARE INSTALLED AT A CLOSER SPACING, ADDITIONAL MATERIAL WILL BE REQUIRED AT AN EXTRA CHARGE TO THE CONTRACT.
 - CONCRETE SHALL BE PLACED IN SUCH A MANNER AS TO INSURE THAT THE ALIGNMENT OF THE POST-TENSIONING TENDONS REMAINS UNCHANGED. SPECIAL CARE SHALL BE TAKEN TO INSURE PROPER VIBRATIONS OF CONCRETE AROUND THE ANCHORS.
 - INSTALL WEDGES SIDE BY SIDE, NOT ONE UNDER, ONE OVER, SINCE MISALIGNMENT MAY OCCUR.
 - INSTALL SUPPORT CHAIRS PER SPACING SHOWN ON THESE DRAWINGS. SPACE TYPICALLY AT 45" PLACING THEM CLOSER WILL RESULT IN SHORTAGE AND ADDITIONAL COST.
- 2. TENSIONING**
- ALL STRESSING SHALL BE UNDER THE IMMEDIATE CONTROL OF A PERSON EXPERIENCED IN THIS TYPE OF WORK.
 - MINIMUM STRENGTH OF CONCRETE PRIOR TO STRESSING SHALL BE 3000 psi.
 - TENDONS SHALL BE STRESSED BY MEANS OF HYDRAULIC JACKS, EQUIPPED WITH CALIBRATED PRESSURE GAUGES, A CALIBRATION CHART WILL ACCOMPANY EACH JACK. MEASURED ELONGATION AND JACK GAUGE READINGS SHALL BE WITHIN 7%.
 - RECORDS SHALL BE KEPT OF ALL JACKING FORCES AND ELONGATIONS AND SUBMITTED PROMPTLY TO THE STRUCTURAL ENGINEER.
 - THE MAXIMUM JACKING FORCE TO OVERCOME FRICTION SHALL NOT EXCEED 80% OF THE ULTIMATE FORCE OF TENDON.
 - IF JOBSITE CONDITIONS PERMIT, THE LOCATION OF THE FIXED END ANCHOR MAY BE REVERSED WITH THE LOCATION OF THE STRESSING END ANCHOR.
 - TOTAL ELONGATION SHALL BE BASED ON $\frac{PL}{AE}$ MILL TEST CERTIFICATES TO ACCOMPANY SHIPMENT.
- 2.8 STRESSING SEQUENCE**
- BEAM AND SLAB
 - STRESS 50% OF SLAB TENDONS
 - STRESS 100% SLAB TEMPERATURE TENDONS
 - STRESS 50% OF BEAM TENDONS
 - STRESS 50% OF GIRDER TENDONS (WHERE APPLICABLE)
 - STRESS REMAINING SLAB TENDONS
 - STRESS REMAINING GIRDER TENDONS (WHERE APPLICABLE)
- TAKE SAFETY PRECAUTIONS AS REQUIRED; DO NOT PERMIT WORKMEN TO STAND BEHIND JACKS WHILE STRESSING TENDONS.
 - AFTER STRESSING IS COMPLETED AND WITH PRIOR APPROVAL OF THE STRUCTURAL ENGINEER, TENDONS SHALL BE CUT OR BURNED OFF TO WITHIN 1" OF THE SLAB EDGE WITHIN 1 WORKING DAY AFTER TENDON TAILS ARE CUT, COAT EXPOSED STRAND AND WEDGE AREAS WITH SAME TENDON GREASE AND APPLY WATER TIGHT CAP.
 - EXPOSED STRESSING RECESS SHALL BE FILLED WITH NON-SHRINK GROUT. GROUT MIXTURES USING CHLORIDES, FLUORIDES, SULFATES OR NITRATES SHALL NOT BE USED. PRIOR TO INSTALLING MORTAR COAT INSIDE SURFACE OF POCKET WITH RESIN BONDING AGENT.
- 3. MISCELLANEOUS**
- ALL THE EQUIPMENT USED FOR HANDLING AND PLACING OF TENDONS SHALL BE SUCH THAT IT DOES NOT DAMAGE OR DEGRADATE THE PRESTRESSING STEEL OR ANCHORS.
 - TENDONS SHALL BE STORED AT THE JOBSITE ABOVE GROUND IN WEATHERPROOF ENCLOSURES, TO ENSURE TENDONS REMAIN DRY UNTIL PLACED IN FRAMEWORK.
 - ALL INSERTS FOR SUSPENDED MECHANICAL OR ARCHITECTURAL WORK SHALL BE CAST-IN-PLACE.
 - ALL POCKETS AND CLOSURE STRIPS REQUIRED FOR ANCHORS SHALL BE ADEQUATELY REINFORCED SO AS NOT TO DECREASE THE STRENGTH OF THE STRUCTURE.
 - AMSYSCO PLACING DRAWINGS ARE INTENDED FOR TENDON AND SUPPORT BAR PLACEMENT ONLY AND MAY NOT BE DRAWN TO TRUE ELEVATION OR SCALE. REFER TO RESPECTIVE DRAWINGS FOR ALL OTHER WORK.
- 4. PRESTRESSING STEEL AND ANCHORAGES**
- PRESTRESSING STEEL SHALL BE SEVEN-WIRE LOW RELAXATION STRAND CONFORMING TO ASTM A416 HAVING A MINIMUM ULTIMATE STRENGTH OF 270 ksi.
- | | |
|-----------------------|-----------------|
| NOMINAL DIAMETER | - 0.5" dia. |
| AREA | - 0.153 sq. in. |
| MODULUS OF ELASTICITY | - 29,000 ksi |
| ULTIMATE STRENGTH | - 41.5 kips |
| MAX. TEMPORARY FORCE | - 33.0 kips |
| MAX. EFFECTIVE FORCE | - SEE CALC. |
- STRAND IS COATED WITH A CORROSION INHIBITING PT COATING AND ENCLOSED IN A PLASTIC SLIPPAGE SHEATHING. TORN OR DAMAGED SHEATHING SHALL BE PATCHED BEFORE CONCRETING. ANY SMALL TEARS OR SHEATH-FREE SECTIONS OF TENDON SHALL BE COVERED WITH GREASE AND PLASTIC; THEN TAPED WITH WATERPROOF TAPE TO ENSURE A WATER TIGHT SEAL.
 - ALL ANCHORING HARDWARE SHALL MEET THE MINIMUM REQUIREMENTS SET FORTH IN ACI STANDARD BUILDING CODE REQUIREMENTS FOR REINFORCED CONCRETE (ACI-318-99, CHAPTER 18) OR PRESTRESSED CONCRETE INSTITUTE PCI STANDARD BUILDING CODE FOR PRESTRESSED CONCRETE.
 - POST-TENSIONING ANCHOR CASTINGS WITH REUSABLE POCKET FORMERS SHALL BE USED AT ALL STRESSING ENDS WHERE ANCHORS MUST BE RECESSED IN THE CONCRETE. SPLIT POCKET FORMERS MAY BE COATED WITH GREASE OR OTHER SUITABLE BOND BREAKER. CASTINGS AT INTERMEDIATE STRESSING LOCATIONS SHALL USE SPLIT POCKET FORMERS.
 - FIXED END ANCHORS SHALL HAVE SHOP APPLIED, PRE-SEATED WEDGES.



- MATERIAL SUPPLY**
- 50 STRAND WITH STANDARD ANCHORS FOR ENCAPSULATED SYSTEM BY AMSYSCO
 - #4 SUPPORT BARS BY OTHERS
 - HIGH/BAR CHAIRS (MADE OF 100% PLASTIC) BY AMSYSCO
 - BACK-UP BARS BY OTHERS
 - BEAM SUPPORT BARS BY OTHERS
 - 3/4\"/>



AMSYSCO, INC.
 740 RACQUET CLUB DRIVE
 ADDISON, TX (800)658-6969
 FAX (800)628-6309

PROJECT: UK Patient Care Facility - New Garage
 Lexington, Kentucky

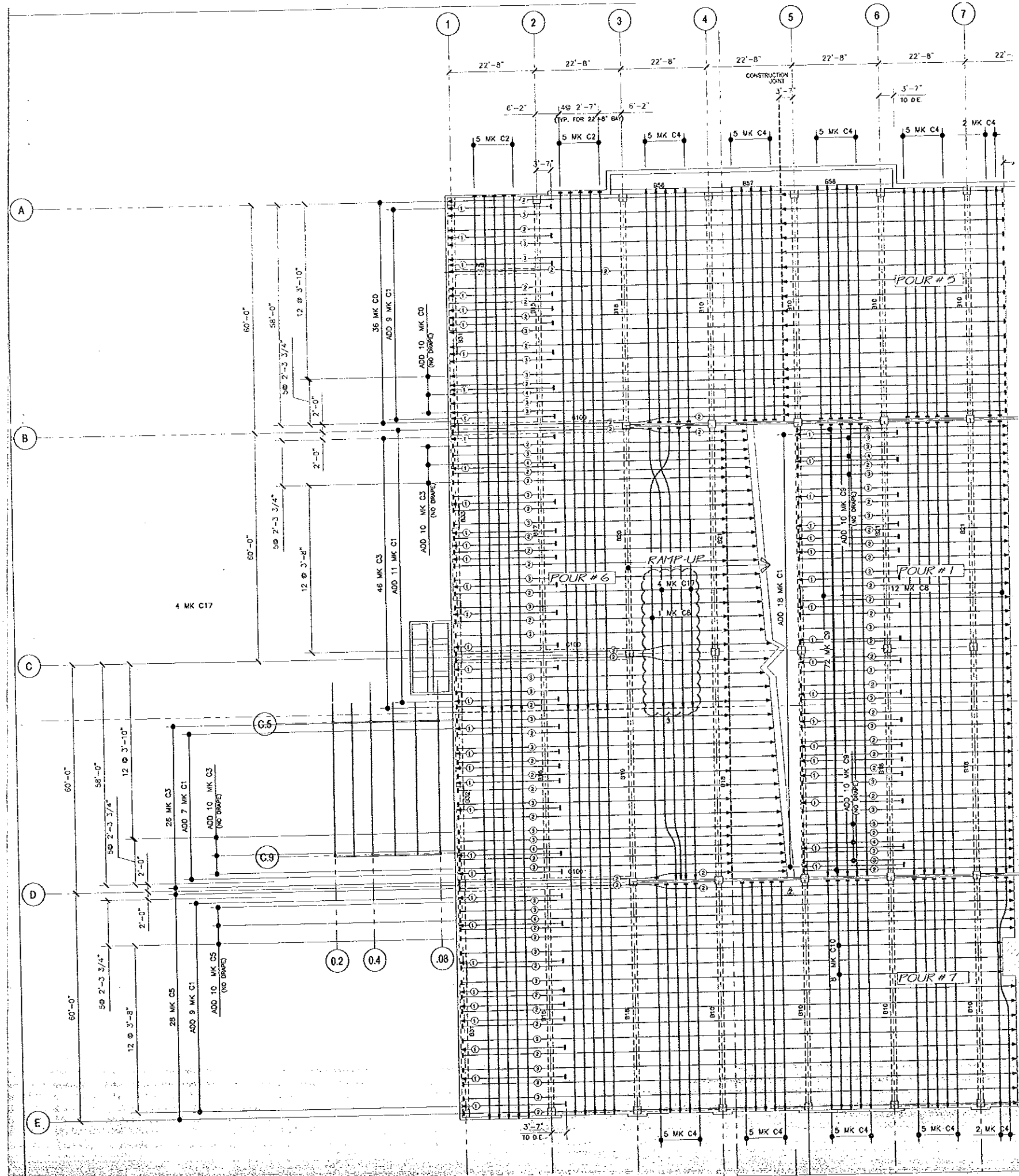
CONTRACTOR: Whiterberg Construction
 TRP Limited

ARCHITECT: GREEN Architects

ISSUED DATE	BY	NO.	REVISION
05.28.06	WAR	1	A
08.16.06	WAR		

JOB NO. DRAWN BY: WAR CHECKED BY: ED DATE:

PT-0



0.5" ENCAPSULATED SYSTEM							TENDON SUMMARY						
NO.	REQD.	POUR	TENDON MARK	COLOR	ANCHOR TYPE	CUTTING LENGTH (ft)	ANCHOR LOCATION						
1	2	3	4	5	6	7	31 Min	31 Max	31 Min	31 Max			
18	16	20	16	C0	NO COLOR	FMV	150.0	890	890	4.33	5.05	6.62	7.62
				C1	BLU	FM	30.0	280		2.08	2.40		
				C2	FED	FMV	248.0	1280	1350	8.04	9.24	10.12	11.64
				C3	YEL	FMV	150.0	735	745	5.47	6.29	5.54	6.38
				C4	WHT	FM	64.0	680		4.61	5.31		
				C5	BLK	FM	149.5	1475		10.97	12.65		
				C6	ORG	FMV	149.0	970	500	7.22	8.50	3.72	4.28
				C7	SVR	FMV	203.5	970	1045	7.22	8.30	7.77	8.55
				C8	GLD	FM	122.0	1200		8.93	10.27		
				C9	PUR	FM	58.5	565		4.20	4.84		
				C10	TAN	FM	146.0	1440		10.71	12.35		
				C11	BLU-RED	FMV	203.5	1045	970	7.77	8.55	7.22	8.50
				C12	BLU-YEL	FM	84.0	820		6.10	7.62		
				C13	BLU-WHT	FM	141.5	1395		10.58	11.94		
				C14	BLU-BLK	FM	138.5	1365		10.16	11.68		
				C15	BLU-ORG	FMV	251.0	1445	1045	10.75	12.37	7.77	8.55
				C16	BLU-SVR								
				C17	BLU-GLD								
				C18	BLU-PUR								
				C19	BLU-TAN								
				C20	RED-YEL	FM	49.5	475		3.53	4.07		
				C21	RED-WHT	FMV	247.0	1355	1035	10.16	11.68	6.07	9.29
				C22	RED-BLK	FM	65.0	630		4.69	5.39		
				C23	RED-ORG	FM	124.0	1220		9.00	10.44		
				C24	RED-SVR	FMV	78.5	335	460	2.27	2.61	3.42	3.94
				C25	RED-GLD	FM	58.5	565		4.20	4.84		
				C26	RED-PUR	FM	85.0	830		6.18	7.10		
				C27	RED-TAN	FM	30.50	285		2.12	2.44		
				C28	YEL-WHT	FM	56.0	540		4.02	4.62		
				C29	YEL-BLK	FM	141.5	1395		10.58	11.94		

- STRESSING SEQUENCE:**
- A. STRESS 50% OF SLAB TENDONS
 - B. STRESS 100 OF SLAB TEMPERATURE TENDONS
 - C. STRESS 50% OF BEAM TENDONS
 - D. STRESS 50% OF GIRDER TENDONS (WHERE APPLICABLE)
 - E. STRESS REMAINING SLAB TENDONS
 - F. STRESS REMAINING BEAM TENDONS
 - G. STRESS REMAINING GIRDER TENDONS (WHERE APPLICABLE)

GRD. LEVEL SLAB TENDON PLAN-SEC. A
SCALE 3/32"=1'-0"

JOB NO. _____ DRAWN BY: WE
CHECKED BY: ED
DATE: _____

AMSYSCO, INC.
740 RACQUET CLUB DRIVE
ADDITION, IL (630) 224-4949
FAX (630) 224-4889

ISSUED
DATE: 05/28/06
BY: [Signature]

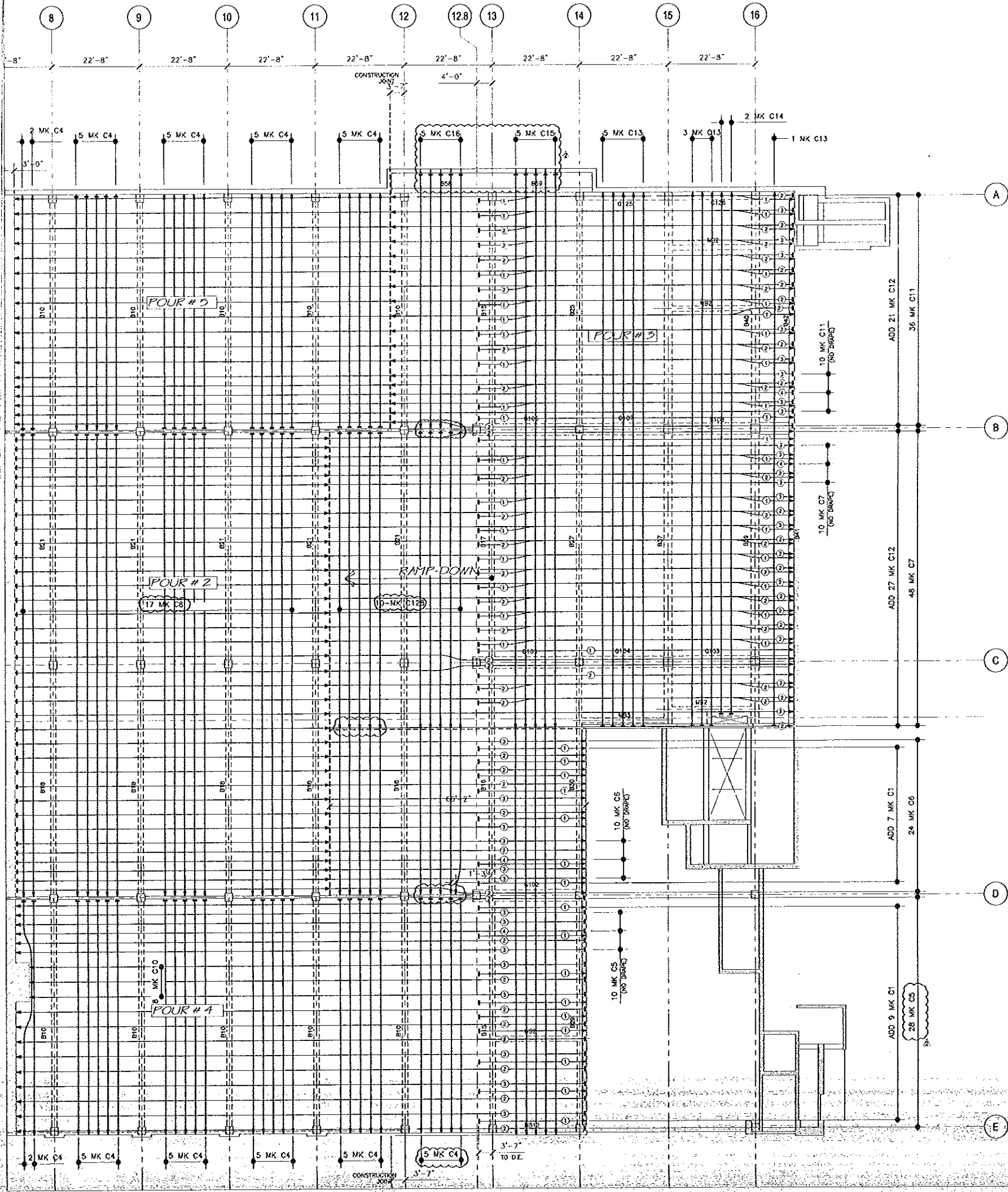
REVISION

NO.	REVISION	ISSUED DATE	BY
1	FOR APPROVAL FOR FIELD USE	08/16/06	WAR
2	MANUAL CORRECTION FOR FIELD USE	01/14/07	WAR

PROJECT: UK Patient Care Facility New Garage
Lexington, Kentucky
CONTRACTOR: Whittier Construction
ENGINEER: THP Limited
ARCHITECT: GBBN Architects

Grade Level Slab Tendon Plan-Sector A

PT-1A



STRESSING SEQUENCE:

- A. STRESS 50% OF SLAB TENDONS
- B. STRESS 100 OF SLAB TEMPERATURE TENDONS
- C. STRESS 50% OF BEAM TENDONS
- D. STRESS 50% OF GIRDER TENDONS (WHERE APPLICABLE)
- E. STRESS REMAINING SLAB TENDONS
- F. STRESS REMAINING BEAM TENDONS
- G. STRESS REMAINING GIRDER TENDONS (WHERE APPLICABLE)

GRD. LEVEL SLAB TENDON PLAN-SECTOR B
SCALE 3/32"=1'-0"

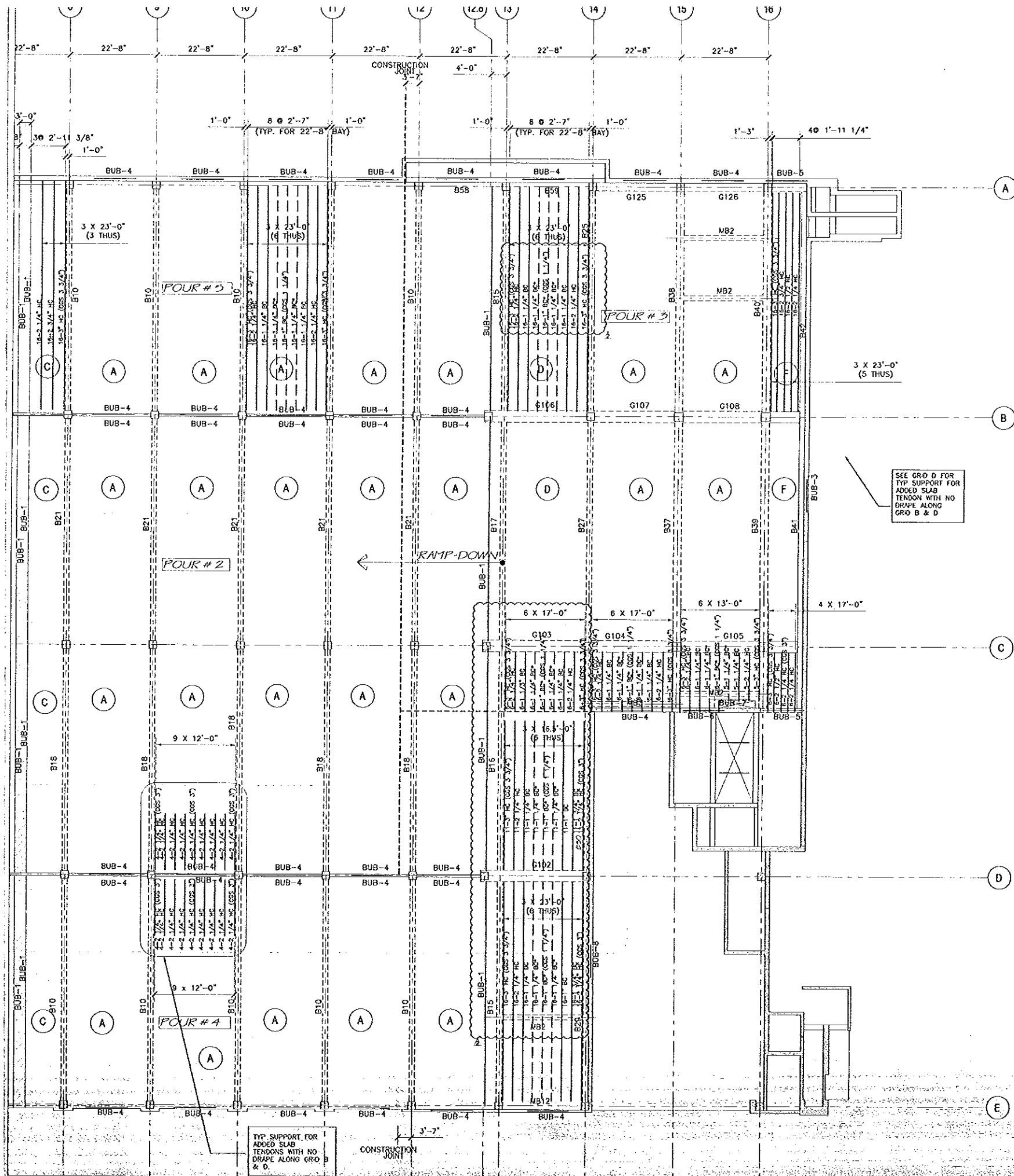
<p>PROJECT: UK Patient Care Facility New Garage Lexington, Kentucky</p> <p>CONTRACTOR: Whitenberg Construction</p> <p>ENGINEER: THP Limited</p> <p>ARCHITECT: GREN Architects</p> <p style="text-align: right;">Grade Level Slab Tendon Plan-Sector B</p>	<table border="1" style="width: 100%; border-collapse: collapse;"> <tr> <th>NO.</th> <th>REVISION</th> <th>ISSUED DATE</th> <th>BY</th> </tr> <tr> <td>1</td> <td>FOR APPROVAL</td> <td>05/28/06</td> <td>WAR</td> </tr> <tr> <td>2</td> <td>FOR FIELD USE</td> <td>08/16/06</td> <td>WAR</td> </tr> <tr> <td>3</td> <td>FOR FIELD USE</td> <td>10/30/06</td> <td>WAR</td> </tr> </table> <table border="1" style="width: 100%; border-collapse: collapse;"> <tr> <th>ISSUED DATE</th> <th>BY</th> </tr> <tr> <td> </td> <td> </td> </tr> </table>	NO.	REVISION	ISSUED DATE	BY	1	FOR APPROVAL	05/28/06	WAR	2	FOR FIELD USE	08/16/06	WAR	3	FOR FIELD USE	10/30/06	WAR	ISSUED DATE	BY		
NO.	REVISION	ISSUED DATE	BY																		
1	FOR APPROVAL	05/28/06	WAR																		
2	FOR FIELD USE	08/16/06	WAR																		
3	FOR FIELD USE	10/30/06	WAR																		
ISSUED DATE	BY																				

AMSYSCO, INC.

740 RACQUET CLUB DRIVE
ADDISON, IL (630)628-6969
FAX (630)628-6399

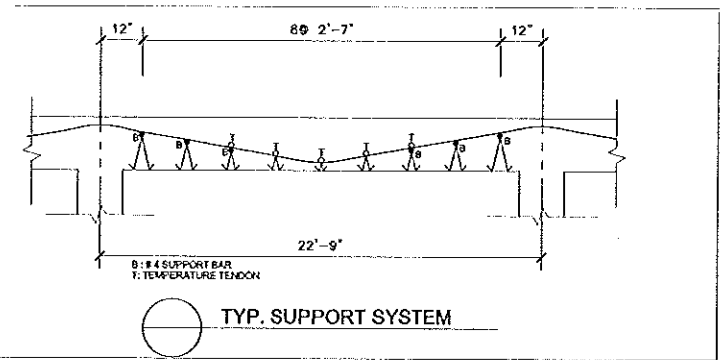
POST-TENSIONING INSTITUTE
CERTIFIED TENDONER

JOB NO: DRAWN BY: WE
CHECKED BY: ED DATE:



BACK-UP-BAR (B.U.B.) SCHEDULE	
NOTE: ALL BARS EPOXY COATED	
BUB - 1	3 x 2 - #4 (11, 18) x 23'-0" + (16 - 2 1/4" HC)
BUB - 2	8 x 2 - #4 (11, 18) x 29'-0" + (61 - 2 1/4" HC)
BUB - 3	5 x 2 - #4 (11, 18) x 30'-0" + (36 - 2 1/4" HC)
BUB - 4	2 - #4 (11, 18) x 12'-0" + (5 - 2 1/4" HC)
BUB - 5	2 - #4 (11, 18) x 2'-0" + (2 - 2 1/4" HC)
BUB - 6	2 - #4 (11, 18) x 7'-0" + (3 - 2 1/4" HC)
BUB - 7	2 - #4 (11, 18) x 5'-0" + (3 - 2 1/4" HC)
BUB - 8	4 x 2 - #4 (11, 18) x 29'-0" + (28 - 2 1/4" HC)

SEE GRID D FOR TYP SUPPORT FOR ADDED SLAB TENDON WITH NO DRAPE ALONG GRID B & D



- NOTES:
- a) * - CHAIRS DIRECTLY SUPPORTING TENDONS WITH #4 BARS TIED TO TOP OF TENDONS FOR LATERAL SUPPORT.
 - b) SEE PT-1C FOR CHAIR LIST AND SLAB BAR LIST

SLAB TENDON SUPPORT PLAN-SECTOR B
SCALE 3/32"=1'-0"

AMSYSCO, INC.
740 RACQUET CLUB DRIVE
ADDISON, IL (630)628-6969
FAX (630)628-6369

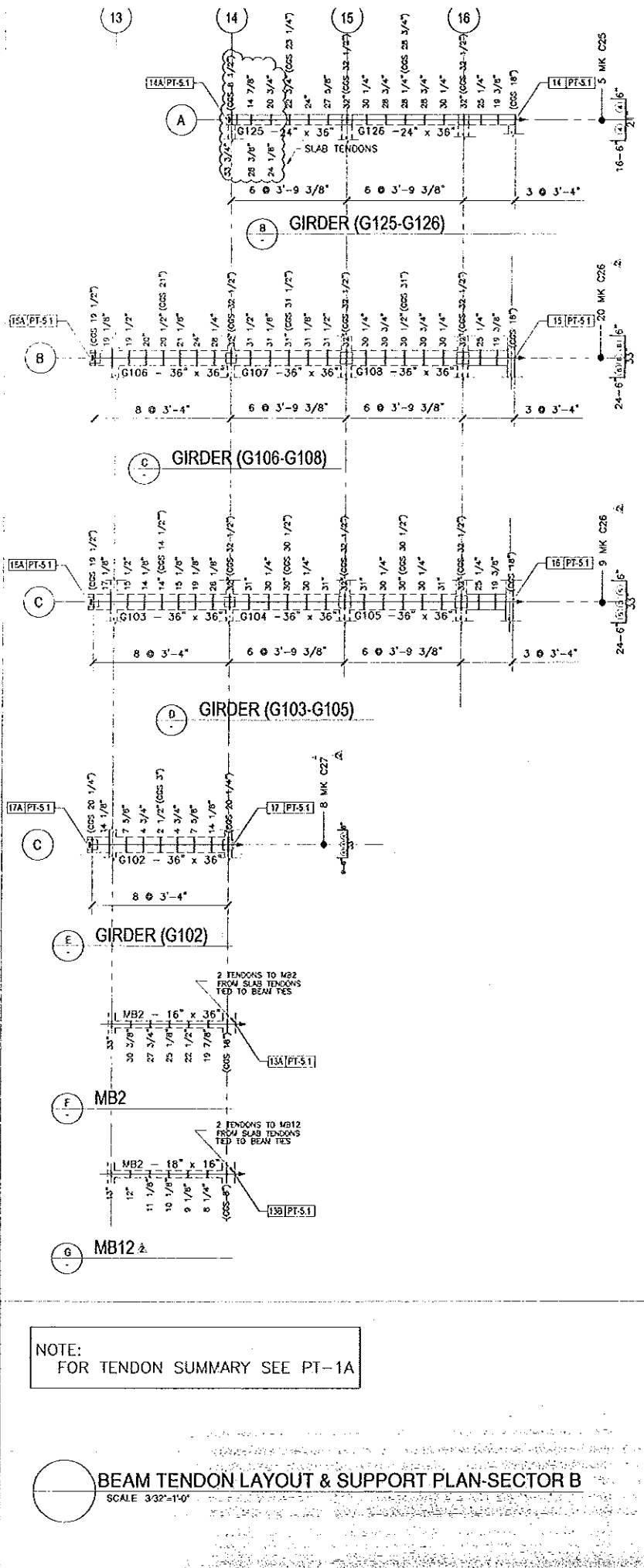
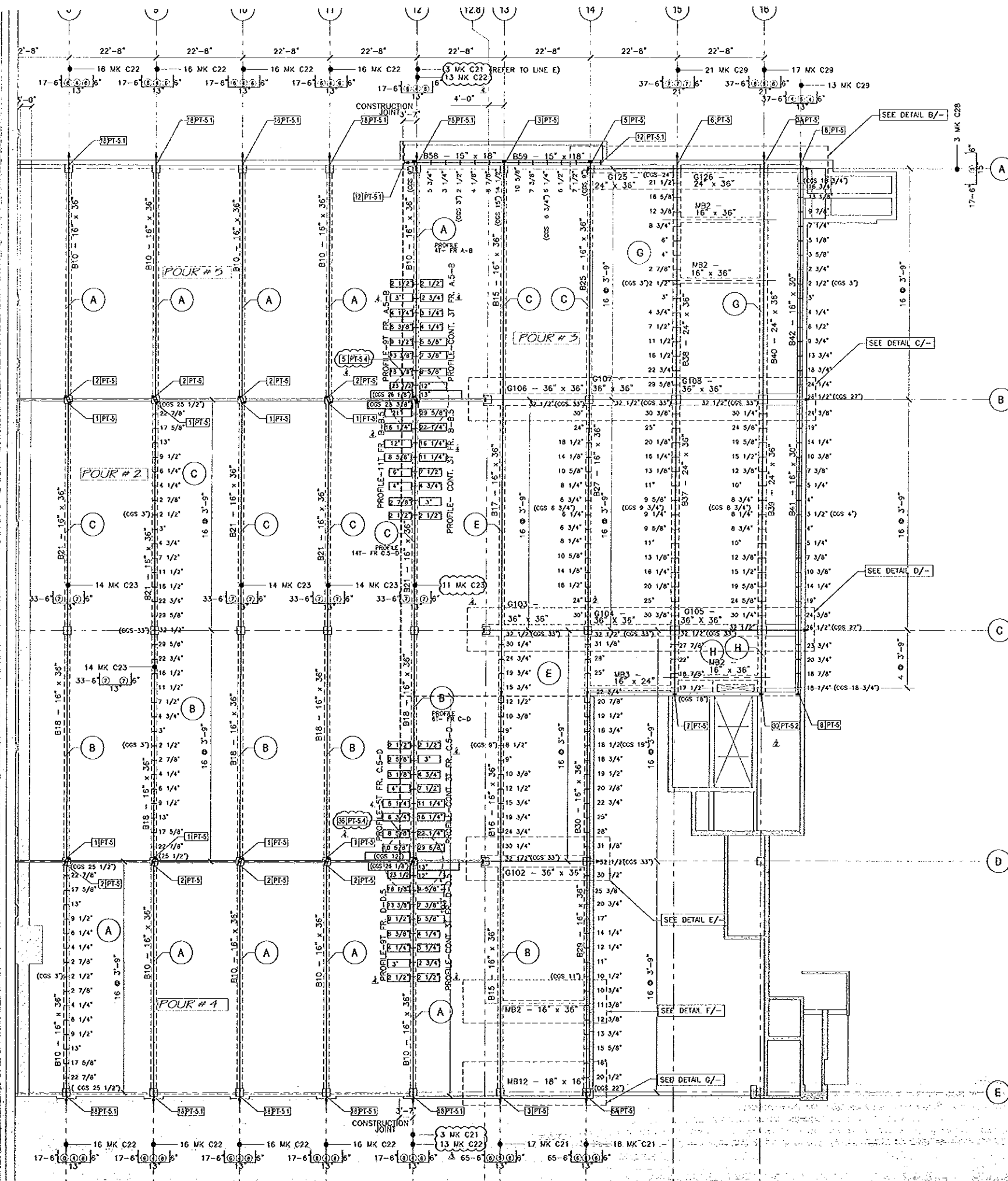
POST-TENSIONING
Graded Plan

PROJECT:	UK Patient Care Facility New Garage Lexington, Kentucky
CONTRACTOR:	Whitberg Construction
ENGINEER:	THP Limited
ARCHITECT:	CBEN Architects
	Grade Level Slab Support Plan-Sector B

ISSUED NO.	1	REVISION	FOR APPROVAL FOR FIELD USE
ISSUED DATE	05.29.06	NO.	1
ISSUED BY	WAR	NO.	
DATE		NO.	

JOB NO. _____
DRAWN BY: WE
CHECKED BY: ED
DATE: _____

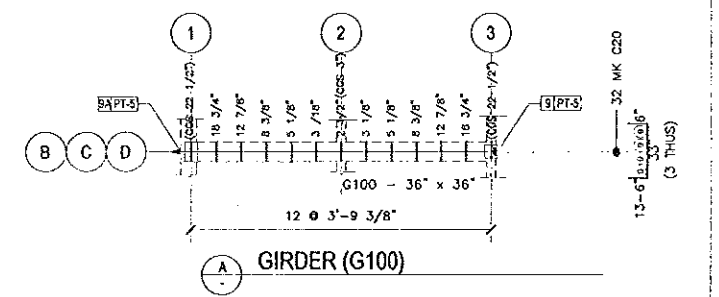
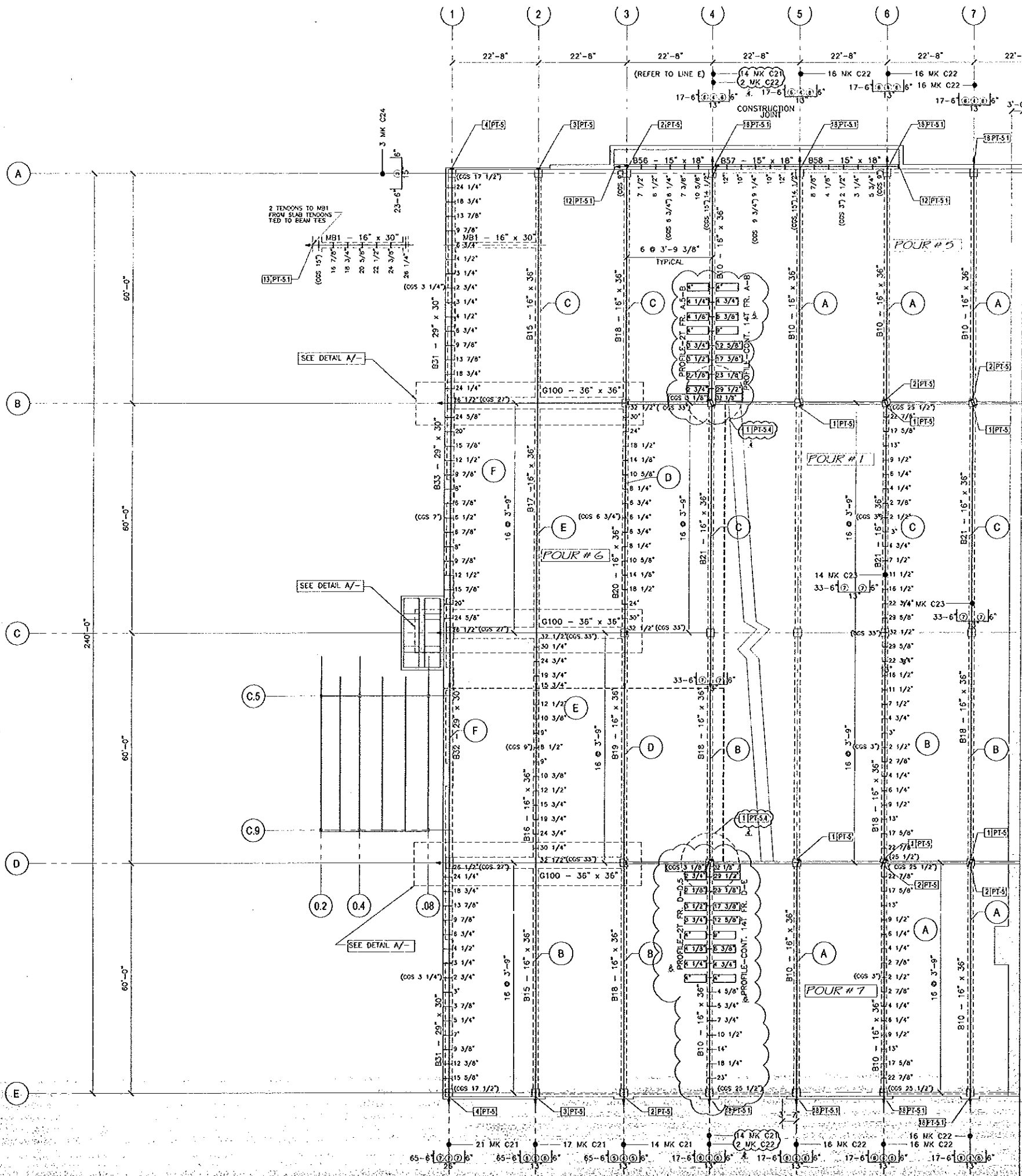
PT-1D



NOTE:
FOR TENDON SUMMARY SEE PT-1A

BEAM TENDON LAYOUT & SUPPORT PLAN-SECTOR B
SCALE 3/32"=1'-0"

PROJECT:	UK Patient Care Facility New Garage Lexington, Kentucky	ISSUED DATE:	08/28/06	BY:	WAR
CONTRACTOR:	Whitberg Construction	REVISION NO.:	1	FOR APPROVAL:	FOR FIELD USE
ENGINEER:	THP Limited	ISSUED DATE:	08/28/06	BY:	WAR
ARCHITECT:	GBEN Architects	REVISION NO.:	1	FOR APPROVAL:	FOR FIELD USE
Grade Level Beam Tendon & Support Plan-Sector B		ISSUED DATE:	08/28/06	BY:	WAR
AMSYSCO, INC. 740 RACQUET CLUB DRIVE ADDISON, IL (630)628-6999 FAX (630)628-6309		JOB NO.: DRAWN BY: WE CHECKED BY: ED DATE:			
PT-1F					



BEAM BAR LIST

BAR	LENGTH	P1	P2	P3	P4	P5	P6	P7
#1	33'							15
#1	28'							65
#1	21'			90				
#1	13'			17				23
#1	13'	65	132	87	215	119	50	130
#1	48'			18	29	25	12	24
#1	36'	18	32	19				4
#1	33'			5				20
#1	30'	24	48	66	42	42	75	36
#1	27'			10				
#1	20'							8
#1	24'			32	56	63	25	36
#1	21'	24	48	58	78	84	25	64
#1	13'			21				18
#1	12'			10	18	4		9

NOTE: QUANTITIES SHOWN ARE EXACT COUNT WITH NO ALLOWANCE

NOTE: FOR TENDON SUMMARY SEE PT-1A

BEAM TENDON LAYOUT & SUPPORT PLAN-SECTOR A
SCALE: 3/32"=1'-0"

AMSYSCO, INC.
740 RACQUET CLUB DRIVE
ADDISON, IL (630) 628-6999
FAX (630) 628-6099

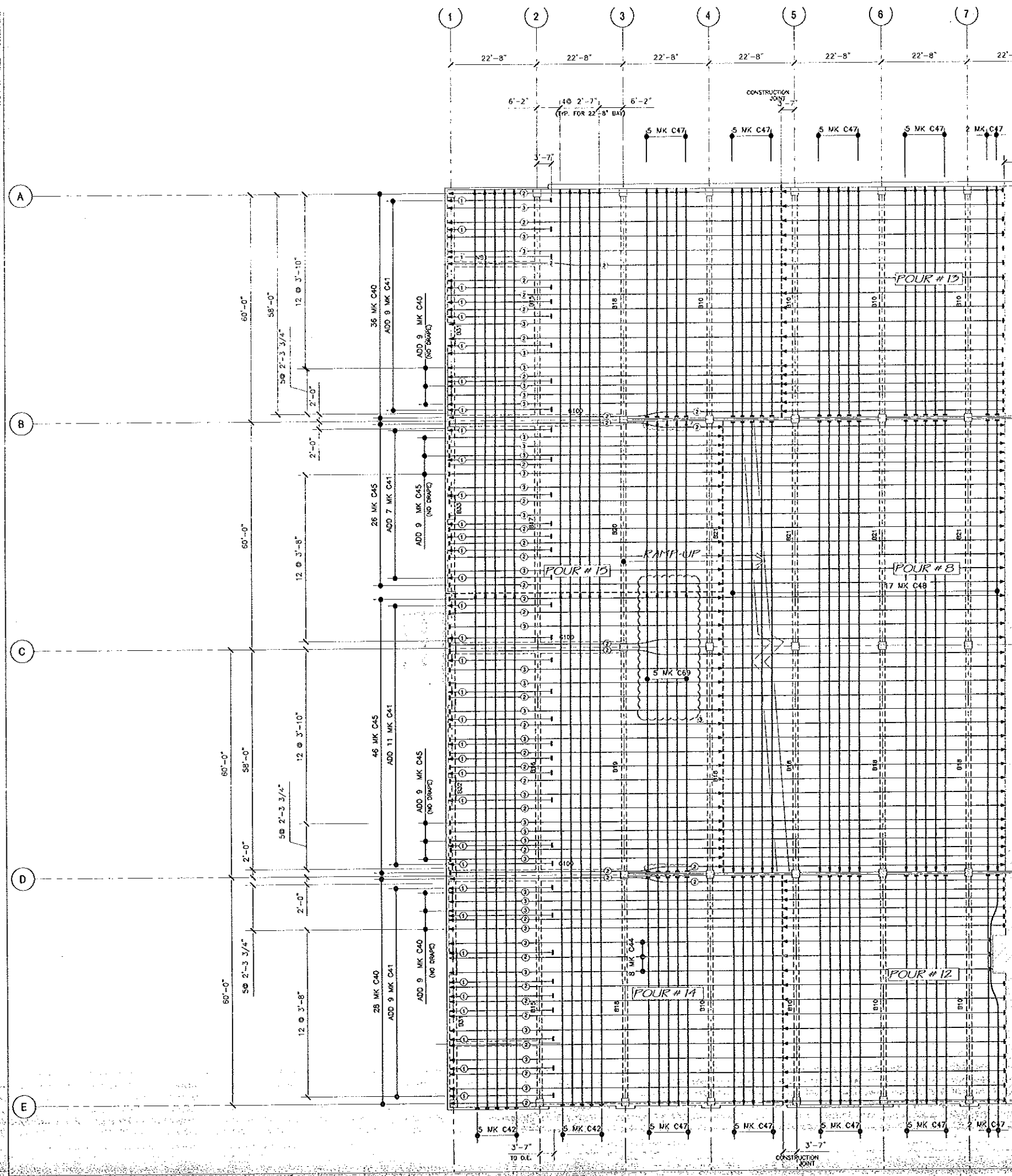
POST-TENSIONING INSTITUTE
CEMENTUM PART

PROJECT: UK Patient Care Facility New Garage
Lexington, Kentucky
CONTRACTOR: Whittierberg Construction
ENGINEER: THP Limited
ARCHITECT: GREN Architects
Grade Level Beam Tendon and Support Plan-Sector A

ISSUED	NO.	DATE	BY	ISSUED	NO.	DATE	BY
FOR APPROVAL	1	08/28/06	WAR	REVISION			
FOR FIELD USE		08/16/06	WAR				
		10/23/06	WAR				
		10/25/06	WAR				

JOB NO. _____ DRAWN BY: WE CHECKED BY: ED DATE: _____

PT-1E



0.5% ENCAPSULATED SYSTEM				TENDON SUMMARY														
NO. REQD / POUR				POUR MAX. FOR LEVEL-2														
8	9	10	11	12	13	14	15	TENDON MARK		COLOR	ANCHOR TYPE	CUTTING LENGTH (ft)	ANCHOR LOCATION		ELONGATION (in.)			
													31 Max	31 Min	32 Max	32 Min		
									C40	WHI-TAN	FMV	150.0	59.0	69.0	4.39	5.05	6.62	7.62
									C41	BLK-ORG	FMV	30.0	28.0		2.08	2.40		
									C42	BLK-SVR	FMV	244.0	135.0	153.0	10.12	11.64	8.04	9.24
									C43	BLK-GLD	FMV	203.5	97.0	114.5	7.22	8.30	7.77	8.95
									C44	BLK-PUR	FMV	146.5	55.5	69.0	4.13	4.75	4.39	5.05
									C45	BLK-TAN	FMV	150.0	73.5	74.5	5.47	6.29	5.54	6.38
									C46	ORG-SVR	FMV	149.0	97.0	50.0	7.22	8.30	3.72	4.28
									C47	ORG-GLD	FMV	64.0	62.0		4.61	5.31		
									C48	ORG-PUR	FMV	122.0	103.0		8.93	10.27		
									C49	ORG-TAN	FMV	33.0	31.0		2.31	2.65		
									C50	SVR-GLD	FMV	175.5	97.0	76.5	7.22	8.30	5.69	6.55
									C51	SVR-PUR	FMV	203.5	114.5	97.0	7.77	8.95	7.22	8.30
									C52	SVR-TAN	FMV	38.5	35.5		2.72	3.12		
									C53	GLD-PUR	FMV	82.0	80.0		5.95	6.85		
									C54	GLD-TAN	FMV	200.0	114.5	93.5	7.77	8.95	6.59	8.00
									C55	PUR-TAN	FMV	245.0	136.5	136.5	10.16	11.55	7.92	9.12
									C56	BLU-RED-YEL	FMV	65.0	63.0		4.69	5.39		
									C57	BLU-RED-WHT	FMV	124.0	122.0		9.08	10.44		
									C58	BLU-RED-BLK	FMV	150.0	87.0	59.0	6.62	7.62	4.39	5.05
									C59	BLU-RED-ORG	FMV	137.5	135.5		10.68	11.60		
									C60	BLU-RED-SVR	FMV	98.0	51.5	44.5	3.85	4.41	3.31	3.81
									C61	BLU-RED-GLD	FMV	150.0	51.0	97.0	3.79	4.37	7.22	8.30
									C62	BLU-RED-PUR	FMV	50.0	48.0		3.57	4.11		
									C63	BLU-RED-TAN	FMV	36.0	34.0		2.53	2.91		
									C64	BLU-YEL-WHT	FMV	31.0	29.0		2.16	2.48		
									C65	BLU-YEL-BLK	FMV	65.0	63.0		6.18	7.10		
									C66	BLU-YEL-ORG	FMV	58.5	56.5		4.20	4.81		
									C67	BLU-YEL-SVR	FMV	149.0	50.0	97.0	3.72	4.28	7.22	8.30
									C68	BLU-YEL-GLD	FMV	139.0	31.5	156.5	2.34	2.70	7.92	9.12
									C69	BLU-YEL-PUR	FMV	122.0	74.5	45.5	5.54	6.38	3.39	3.69
									C70	BLU-WHT-BLK	FMV	163.0	56.0	93.0	4.61	5.31	6.72	10.62
									C72	BLU-WHT-ORG	FMV	125.0	74.5	48.0	5.54	6.38	3.57	4.11

- STRESSING SEQUENCE:**
- STRESS 50% OF SLAB TENDONS
 - STRESS 100 OF SLAB TEMPERATURE TENDONS
 - STRESS 50% OF BEAM TENDONS
 - STRESS 50% OF GIRDER TENDONS (WHERE APPLICABLE)
 - STRESS REMAINING SLAB TENDONS
 - STRESS REMAINING BEAM TENDONS
 - STRESS REMAINING GIRDER TENDONS (WHERE APPLICABLE)

LEVEL 2 SLAB TENDON PLAN-SEC. A
SCALE: 3/32"=1'-0"

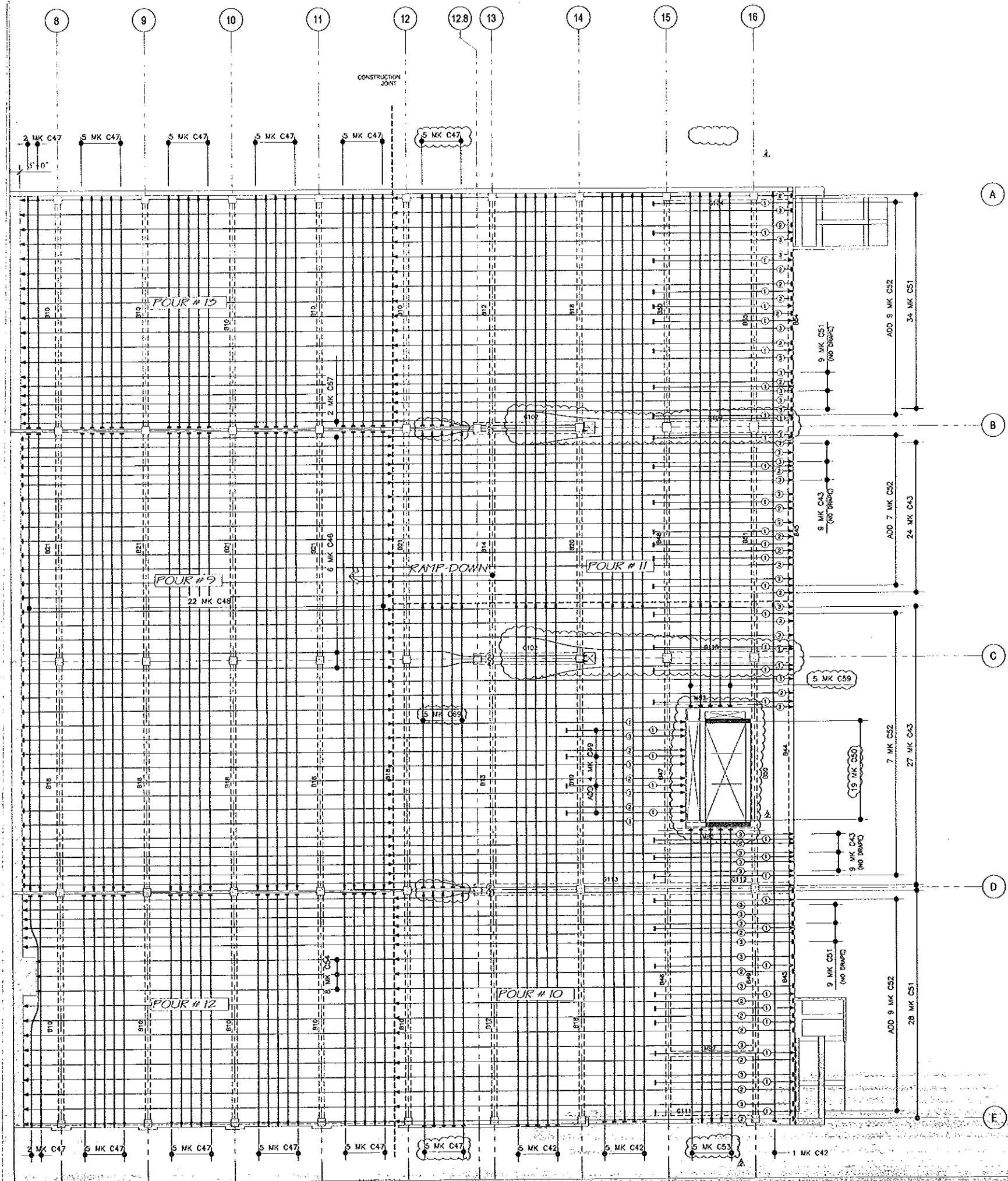
PROJECT: UK Patient Care Facility New Garage
 CONTRACTOR: Whittierberg Construction
 ENGINEER: THP Limited
 ARCHITECT: GBBN Architects
 (Level 2 Slab Tendon Plan - Sector A)

AMSYSO, INC.
 740 RACQUET CLUB DRIVE
 ADDISON, IL (630) 628-6969
 FAX (630) 628-6039

NO.	REVISION	ISSUED DATE	BY
1	FOR APPROVAL	05/26/06	WAR
2	FOR FIELD USE	08/30/06	WAR
3	FOR FINAL APPROVAL	01/18/07	WAR
4	FOR FIELD USE	01/31/07	WAR

JOB NO.:
 DRAWN BY: WE
 CHECKED BY: ED
 DATE:

PT-2A



STRESSING SEQUENCE:

- A. STRESS 50% OF SLAB TENDONS
- B. STRESS 100 OF SLAB TEMPERATURE TENDONS
- C. STRESS 50% OF BEAM TENDONS
- D. STRESS 50% OF GIRDER TENDONS (WHERE APPLICABLE)
- E. STRESS REMAINING SLAB TENDONS
- F. STRESS REMAINING BEAM TENDONS
- G. STRESS REMAINING GIRDER TENDONS (WHERE APPLICABLE)

LEVEL 2 SLAB TENDON PLAN-SECTOR B
SCALE 3/32"=1'-0"

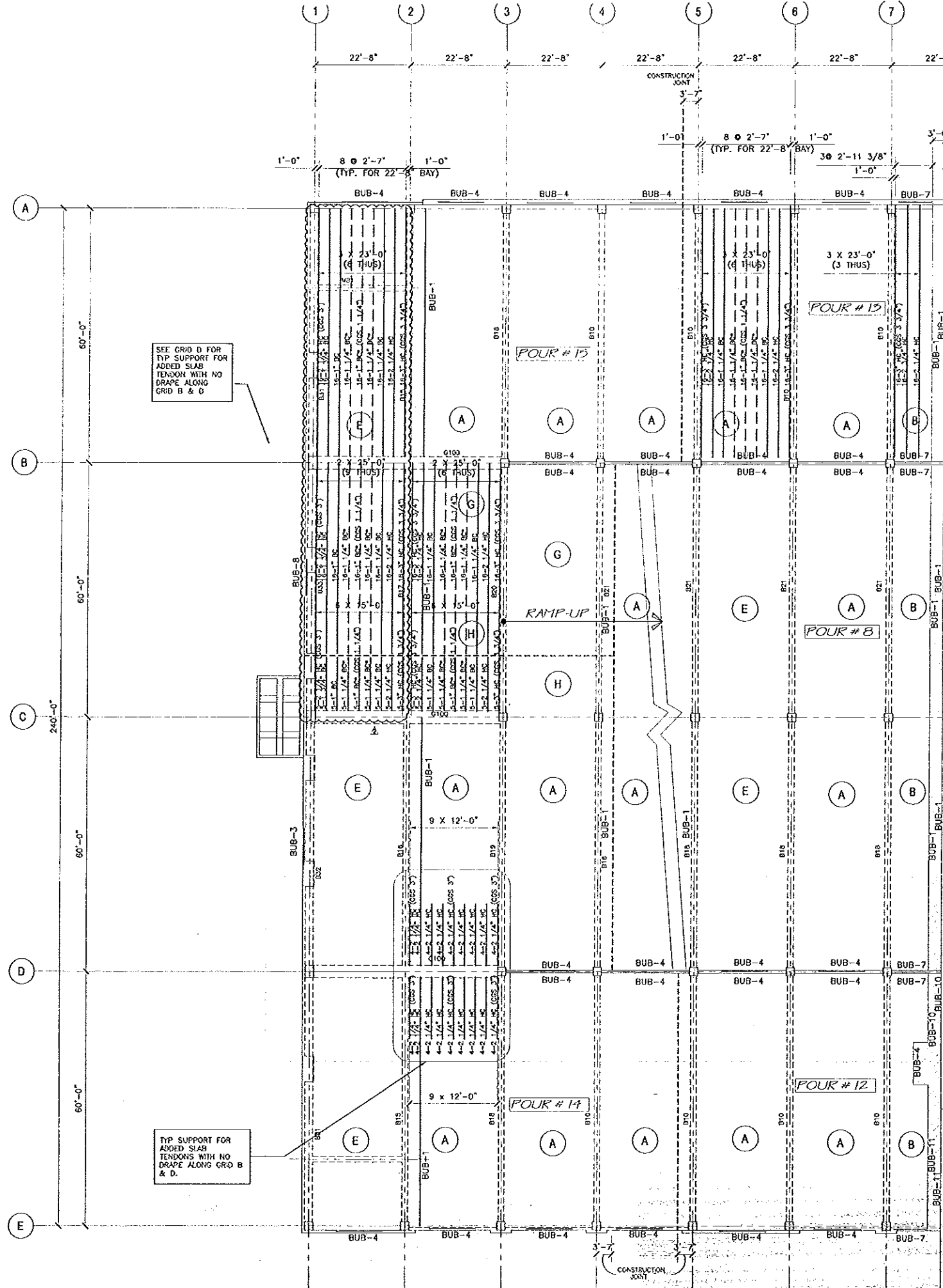
PROJECT:	UK Patient Care Facility New Garage Lexington, Kentucky	ISSUED DATE:	05.28.06	NO.	1	REVISION	FOR APPROVAL	ISSUED DATE:		NO.	
CONTRACTOR:	Whitberg Construction	DATE:	05.28.06	NO.	2	REVISION	FOR FIELD USE	DATE:		NO.	
ENGINEER:	THP Limited	DATE:	05.30.06	NO.	3	REVISION	FOR FIELD USE	DATE:		NO.	
ARCHITECT:	GBBN Architects	DATE:	01.13.07	NO.	4	REVISION	FOR FIELD USE	DATE:		NO.	

PROJECT: UK Patient Care Facility New Garage
 CONTRACTOR: Whitberg Construction
 ENGINEER: THP Limited
 ARCHITECT: GBBN Architects
 PROJECT: Level 2 Slab Tendon Plan-Sector B

AMSYSCO, INC.
 740 RACQUET CLUB DRIVE
 ADDISON, IL (630) 626-6669
 FAX (630) 626-6399

JOB NO.:
 DRAWN BY: WE
 CHECKED BY: ED
 DATE:

PT-2B



BACK-UP-BAR (B.U.B.) SCHEDULE

NOTE: ALL BARS EPOXY COATED

BUB - 1	3 x 2 - #4 (11, 18) x 23'-0" + (16 - 2 1/4" HC)
BUB - 2	9 x 2 - #4 (11, 18) x 23'-0" + (61 - 2 1/4" HC)
BUB - 3	5 x 2 - #4 (11, 18) x 30'-0" + (35 - 2 1/4" HC)
BUB - 4	2 - #4 (11, 18) x 12'-0" + (5 - 2 1/4" HC)
BUB - 5	2 - #4 (11, 18) x 2'-0" + (2 - 2 1/4" HC)
BUB - 6	2 - #4 (11, 18) x 7'-0" + (3 - 2 1/4" HC)
BUB - 7	2 - #4 (11, 18) x 5'-0" + (3 - 2 1/4" HC)
BUB - 8	4 x 2 - #4 (11, 18) x 23'-0" + (28 - 2 1/4" HC)
BUB - 9	2 - #4 (11, 18) x 25'-0" + (7 - 2 1/4" HC)
BUB - 10	2 - #4 (11, 18) x 18'-0" + (6 - 2 1/4" HC)
BUB - 11	2 x 2 - #4 (11, 18) x 18'-0" + (12 - 2 1/4" HC)

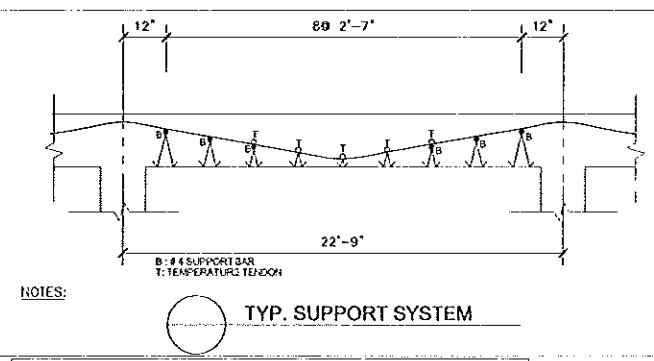
CHAR LIST

FOR LEVEL-2		POUR # 8	POUR # 9	POUR # 10	POUR # 11	POUR # 12	POUR # 13	POUR # 14	POUR # 15
TYPE	HEIGHT								
BC	1"	138	128	144	141	38	56	149	159
	1 1/2"	352	608	574	564	384	384	456	451
	1 3/4"							32	37
HC	2"								
	2 1/4"	560	690	792	726	594	590	605	607
	2 1/2"			39	28				
	2 3/4"	32	32	27	28	32	32	202	207
	3"	192	228	326	310	224	224	202	207

SLAB BAR LIST

FOR LEVEL-2		POUR # 8	POUR # 9	POUR # 10	POUR # 11	POUR # 12	POUR # 13	POUR # 14	POUR # 15
BAR	LENGTH								
#4	2'			2	2				
#4	5'	4	4	4		8	8		
#4	9'			2					
#4	12'	75	97	93	93	91	87	77	77
#4	15'			6				6	12
#4	16'			10					
#4	17'			4					
#4	18'			10		12			
#4	23'	144	174	159	59	126	138	144	50
#4	24'			5	74				
#4	25'			4					42
#4	29'				8				8
#4	30'							10	

REMARKS:
ALL BARS EPOXY COATED



NOTES:
o) * - CHAIRS DIRECTLY SUPPORTING TENDONS WITH #4 BARS TIED TO TOP OF TENDONS FOR LATERAL SUPPORT.

LEVEL 2 SLAB TENDON SUPPORT PLAN-SECTOR A
SCALE 3/32"=1'-0"

PROJECT: UK Patient Care Facility New Garage
Lexington, Kentucky

CONTRACTOR: Whittierberg Construction
ENGINEER: JHP Limited
ARCHITECT: GBBN Architects

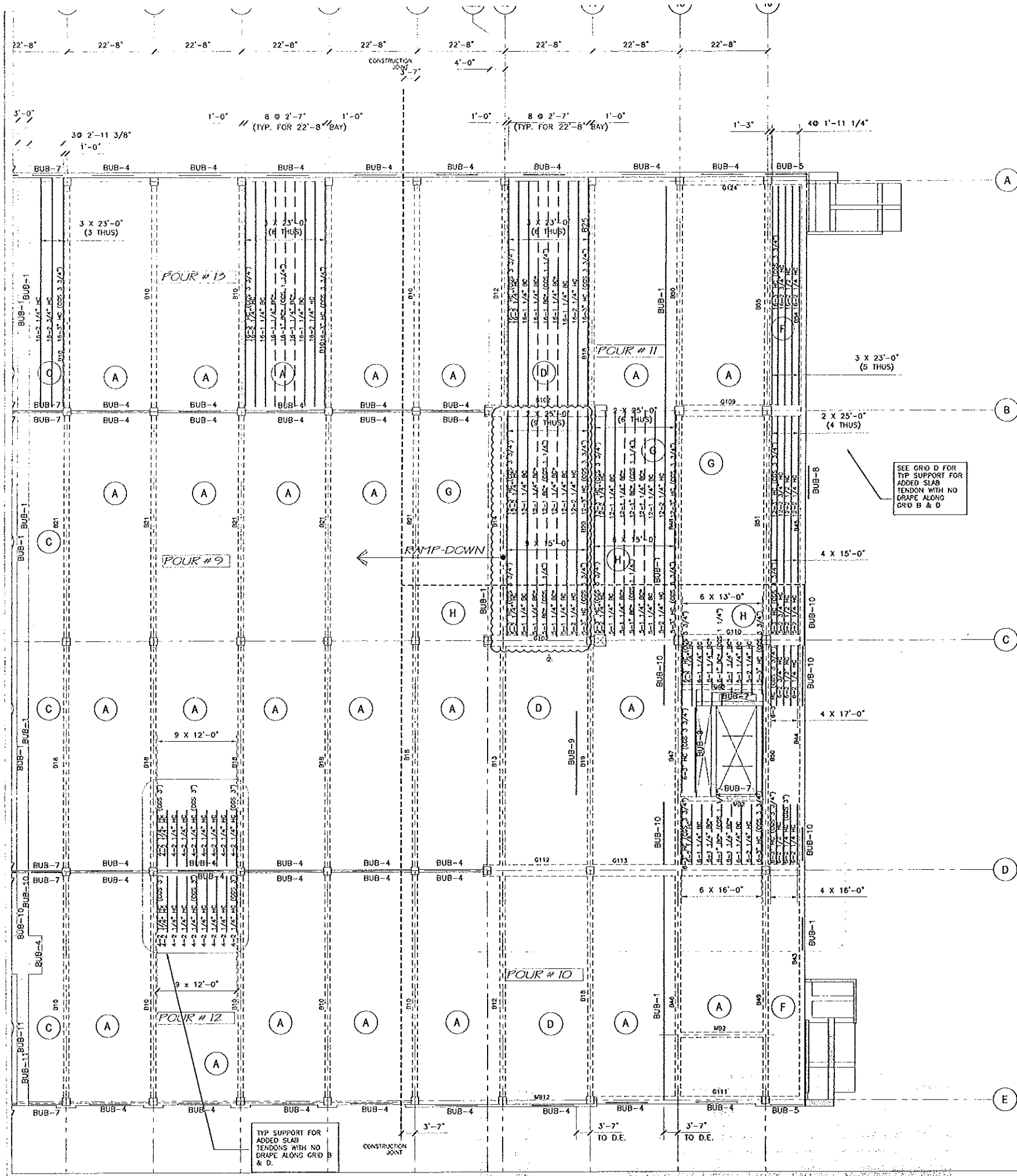
REVISION NO. 1 FOR APPROVAL FOR FIELD USE

ISSUED DATE: 08-23-06
BY: WAR

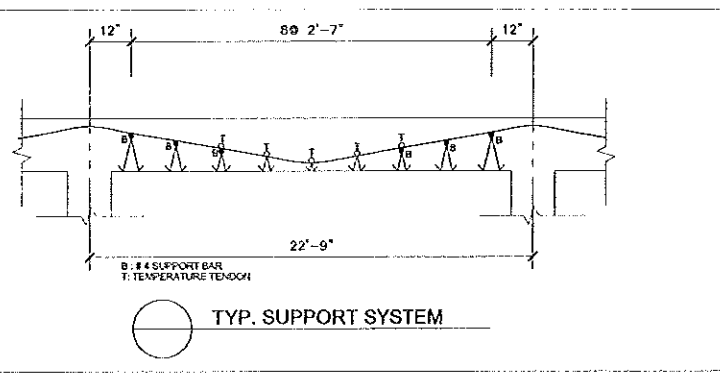
ISSUED DATE: 08-30-06
BY: WAR

AMSYSCO, INC.
740 RACQUET CLUS DRIVE
ADDITION, IL (630)628-6969
FAX (630)628-6309

PT-2C



$x 2 - \#4 (1T, 1B) \times 29'-0" + (61 - 2 1/4" HC)$
$x 2 - \#4 (1T, 1B) \times 30'-0" + (36 - 2 1/4" HC)$
$2 - \#4 (1T, 1B) \times 12'-0" + (5 - 2 1/4" HC)$
$2 - \#4 (1T, 1B) \times 2'-0" + (2 - 2 1/4" HC)$
$2 - \#4 (1T, 1B) \times 7'-0" + (3 - 2 1/4" HC)$
$2 - \#4 (1T, 1B) \times 5'-0" + (3 - 2 1/4" HC)$
$x 2 - \#4 (1T, 1B) \times 29'-0" + (28 - 2 1/4" HC)$
$2 - \#4 (1T, 1B) \times 25'-0" + (7 - 2 1/4" HC)$
$2 - \#4 (1T, 1B) \times 18'-0" + (6 - 2 1/4" HC)$
$x 2 - \#4 (1T, 1B) \times 18'-0" + (12 - 2 1/4" HC)$



- NOTES:
- a) * - CHAIRS DIRECTLY SUPPORTING TENDONS WITH #4 BARS TIED TO TOP OF TENDONS FOR LATERAL SUPPORT.
 - b) SEE PT-2C FOR CHAIR LIST AND SLAB BAR LIST

LEVEL 2 SLAB SUPPORT PLAN-SECTOR B
SCALE 3/32"=1'-0"

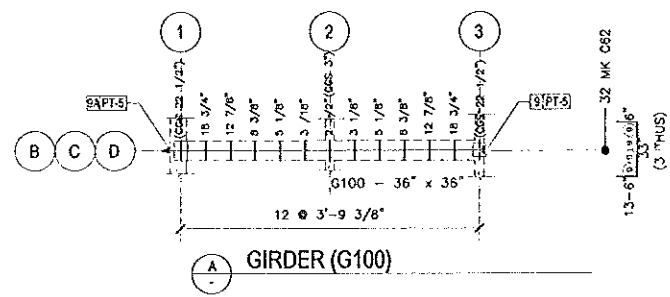
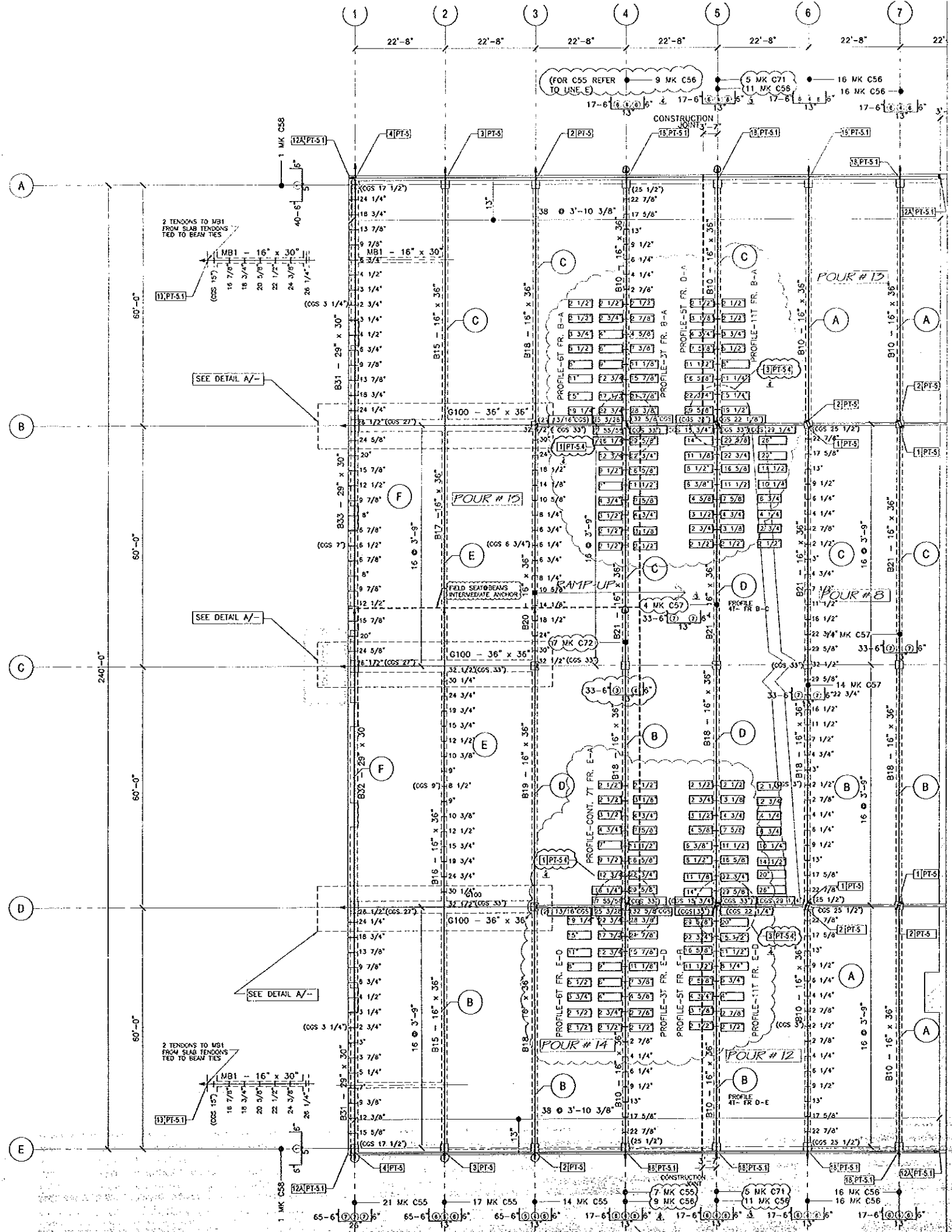
AMSYSCO, INC.
740 RACQUET CLUB DRIVE
ADDISON, IL (630)628-6969
FAX (630)628-6309

PROJECT: UK Patient Care Facility New Garage
Lexington, Kentucky
CONTRACTOR: Whiterberg Construction
ENGINEER: THP Limited
ARCHITECT: GBBN Architects
Level 2, 3 and 4 Slab Support Plan-Sector B

ISSUED NO.	DATE	BY	REVISION
1	05-28-06	WAR	FOR APPROVAL
2	08-30-06	WAR	FOR FIELD USE

ISSUED DATE BY NO. REVISION

PT-2D



BEAM BAR LIST									
BAR	LENGTH	P8	P9	P10	P11	P12	P13	P14	P15
#1	6'-33"			34	16	8		26	13
#1	6'-28"							65	
#1	6'-21"				91				
#1	6'-13"	99	132	160	147	119	119	162	17
#1	6'-9"				39	26		38	40
#1	5'			2	2	4	4	2	2
#1	12"			8	8	4	4	12	7
#1	13"			38	8			16	
#1	21"	56	48	42	42	64	64	28	18
#1	24"			34	48	63	63	67	6
#1	26"							8	5
#1	27"				5	5			
#1	30"	35	48	69	51	42	42	33	42
#1	33"			5				20	10
#1	36"	24	32	10	14				8
#1	49"			20	16	28	28	16	4

NOTE:
FOR TENDON SUMMARY SEE PT-2A

LEVEL 2 BEAM TENDON LAYOUT & SUPPORT PLAN-SECTOR A
SCALE 3/32"=1'-0"

PROJECT: UK Patient Care Facility New Garage
 Location: Lexington, Kentucky
 CONTRACTOR: Whittier Construction
 ENGINEER: THP Limited
 ARCHITECT: GREN Architects

Level 2 Beam Tendon and Support Plan-Sector A

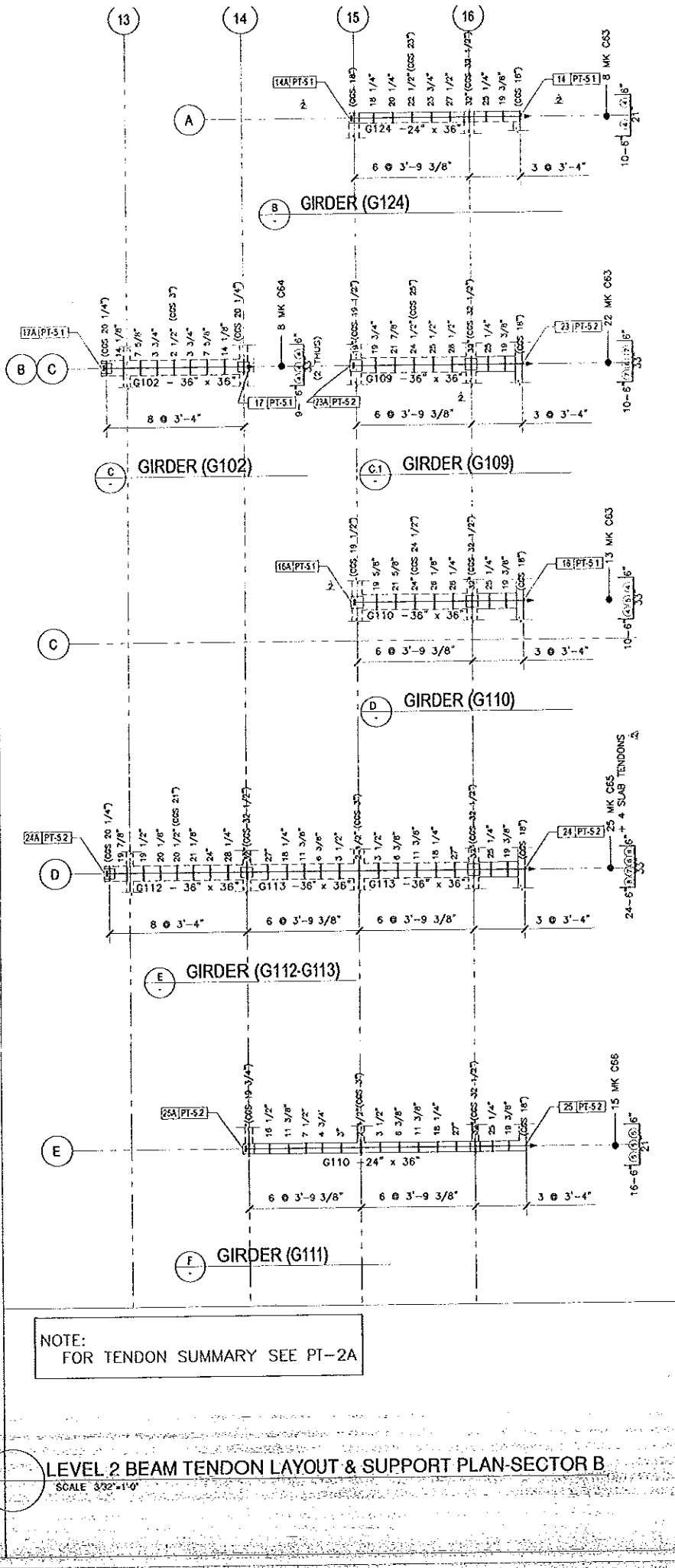
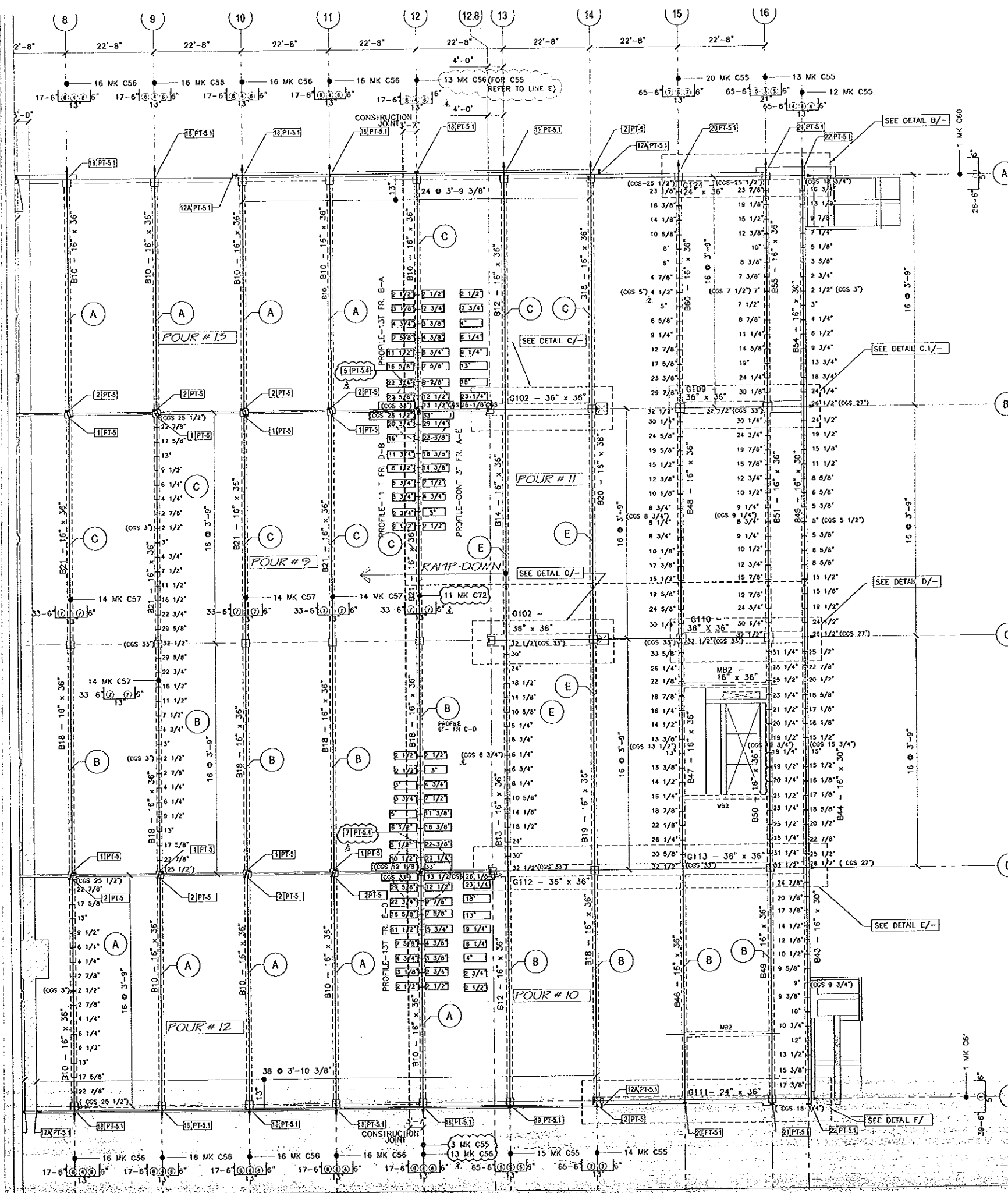
AMSCO, INC.
 740 RACQUET CLUB DRIVE
 ADDISON, IL 60101-4449
 FAX (630)628-6309

ISSUED: 1 06.26.06
 REVISION: 1 06.30.06
 NO. DATE BY: 1 06.26.06 WAR

FOR FINAL APPROVAL & FIELD USE
 FOR FINAL APPROVAL & FIELD USE
 FOR FINAL APPROVAL & FIELD USE

DATE: _____
 DRAWN BY: WE
 CHECKED BY: ED
 JOB NO.: _____

PT-2E



NOTE:
FOR TENDON SUMMARY SEE PT-2A

LEVEL 2 BEAM TENDON LAYOUT & SUPPORT PLAN-SECTOR B
SCALE 3/32"=1'-0"

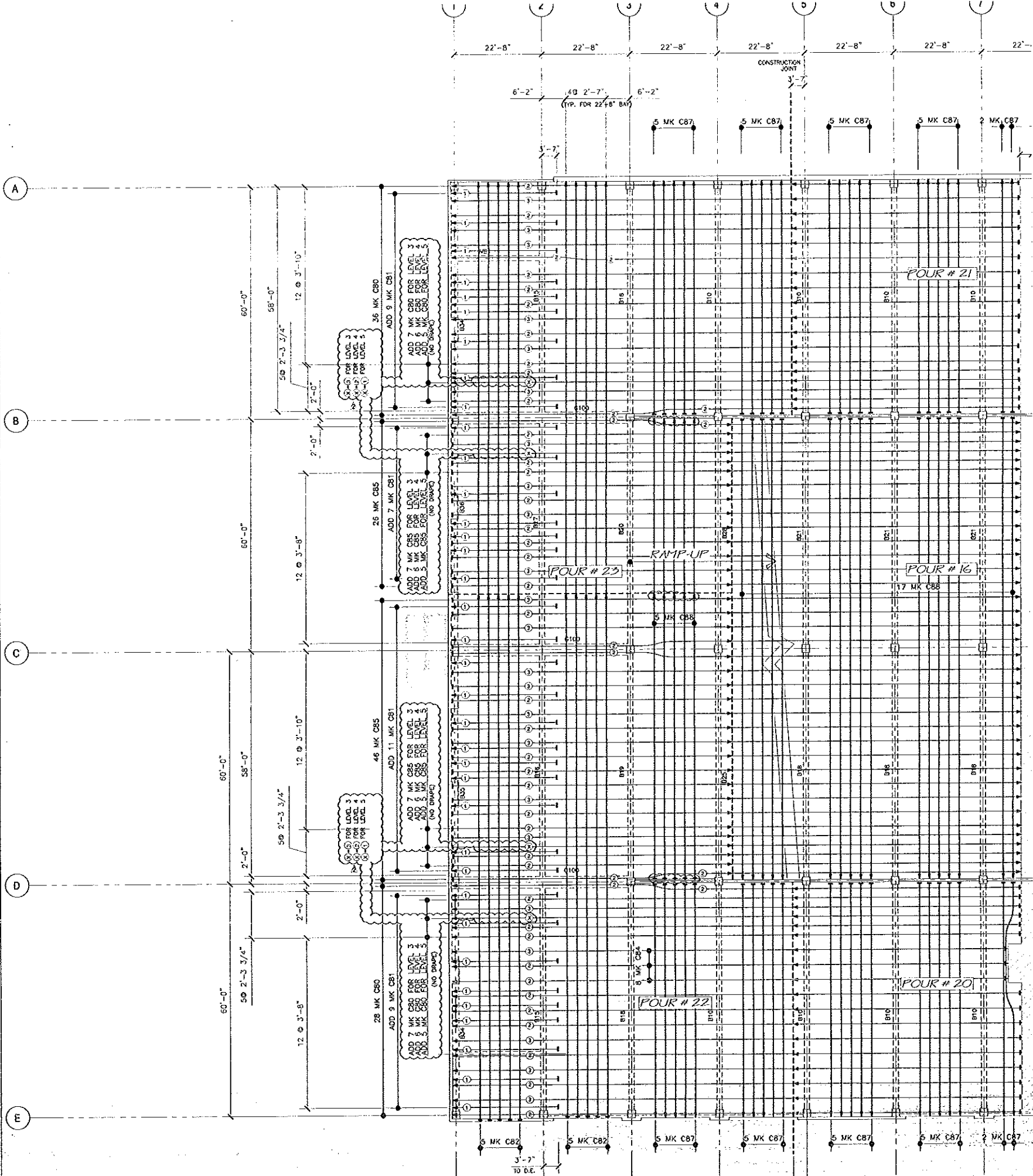
AMSYSCO, INC.
740 RACQUET CLUB DRIVE
ADDISON, T.L. (630) 628-6469
FAX (630) 628-6309

PROJECT: UK Patient Care Facility New Garage
Lexington, Kentucky
CONTRACTOR: Whiteberg Construction
ENGINEER: THP Limited
ARCHITECT: GBBN Architects
Level 2 Beam Tendon & Support Plan-Sector B

NO.	ISSUED DATE	BY	REVISION	NO.	ISSUED DATE	BY
1	08.28.06	WAR	FOR APPROVAL	1	01.18.07	WAR
			FOR FIELD USE		01.17.07	WAR
			FOR FINAL APPROVAL		10.23.06	WAR
			FOR FIELD USE		10.25.06	WAR

JOB NO.: _____
DRAWN BY: WE
CHECKED BY: ED
DATE: _____

PT-2F



0.5" ENCAPSULATED SYSTEM										
TENDON SUMMARY										
NO.	REQD / POUR	TENDON MARK	COLOR	ANCHOR TYPE	EXTENS. LENGTH (IN)	ANCHOR LOCATION	ELEVATION (IN)			
							AT MAX	AT MIN	AT MAX	
16	17	18	19	20	21	22	23	POUR # FOR LEVEL 3		
24	25	26	27	28	29	30	31	POUR # FOR LEVEL 4		
32	33	34	35	36	37	38	39	POUR # FOR LEVEL 5		
16	17	18	19	20	21	22	23	2.00	2.40	
24	25	26	27	28	29	30	31	10.12	11.64	
32	33	34	35	36	37	38	39	7.22	8.50	
17	22	5	5	5	5	5	5	4.61	5.31	
18	22	4	4	4	4	4	4	8.93	10.27	
19	22	3	3	3	3	3	3	2.31	2.65	
20	22	2	2	2	2	2	2	7.22	8.30	
21	22	1	1	1	1	1	1	7.77	8.55	
22	22	0	0	0	0	0	0	4.61	5.31	
23	22	0	0	0	0	0	0	8.93	10.27	
24	22	0	0	0	0	0	0	2.31	2.65	
25	22	0	0	0	0	0	0	7.22	8.30	
26	22	0	0	0	0	0	0	7.77	8.55	
27	22	0	0	0	0	0	0	4.61	5.31	
28	22	0	0	0	0	0	0	8.93	10.27	
29	22	0	0	0	0	0	0	2.31	2.65	
30	22	0	0	0	0	0	0	7.22	8.30	
31	22	0	0	0	0	0	0	7.77	8.55	
32	22	0	0	0	0	0	0	4.61	5.31	
33	22	0	0	0	0	0	0	8.93	10.27	
34	22	0	0	0	0	0	0	2.31	2.65	
35	22	0	0	0	0	0	0	7.22	8.30	
36	22	0	0	0	0	0	0	7.77	8.55	
37	22	0	0	0	0	0	0	4.61	5.31	
38	22	0	0	0	0	0	0	8.93	10.27	
39	22	0	0	0	0	0	0	2.31	2.65	
40	22	0	0	0	0	0	0	7.22	8.30	
41	22	0	0	0	0	0	0	7.77	8.55	
42	22	0	0	0	0	0	0	4.61	5.31	
43	22	0	0	0	0	0	0	8.93	10.27	
44	22	0	0	0	0	0	0	2.31	2.65	
45	22	0	0	0	0	0	0	7.22	8.30	
46	22	0	0	0	0	0	0	7.77	8.55	
47	22	0	0	0	0	0	0	4.61	5.31	
48	22	0	0	0	0	0	0	8.93	10.27	
49	22	0	0	0	0	0	0	2.31	2.65	
50	22	0	0	0	0	0	0	7.22	8.30	
51	22	0	0	0	0	0	0	7.77	8.55	
52	22	0	0	0	0	0	0	4.61	5.31	
53	22	0	0	0	0	0	0	8.93	10.27	
54	22	0	0	0	0	0	0	2.31	2.65	
55	22	0	0	0	0	0	0	7.22	8.30	
56	22	0	0	0	0	0	0	7.77	8.55	
57	22	0	0	0	0	0	0	4.61	5.31	
58	22	0	0	0	0	0	0	8.93	10.27	
59	22	0	0	0	0	0	0	2.31	2.65	
60	22	0	0	0	0	0	0	7.22	8.30	
61	22	0	0	0	0	0	0	7.77	8.55	
62	22	0	0	0	0	0	0	4.61	5.31	
63	22	0	0	0	0	0	0	8.93	10.27	
64	22	0	0	0	0	0	0	2.31	2.65	
65	22	0	0	0	0	0	0	7.22	8.30	
66	22	0	0	0	0	0	0	7.77	8.55	
67	22	0	0	0	0	0	0	4.61	5.31	
68	22	0	0	0	0	0	0	8.93	10.27	
69	22	0	0	0	0	0	0	2.31	2.65	
70	22	0	0	0	0	0	0	7.22	8.30	
71	22	0	0	0	0	0	0	7.77	8.55	
72	22	0	0	0	0	0	0	4.61	5.31	
73	22	0	0	0	0	0	0	8.93	10.27	
74	22	0	0	0	0	0	0	2.31	2.65	
75	22	0	0	0	0	0	0	7.22	8.30	
76	22	0	0	0	0	0	0	7.77	8.55	
77	22	0	0	0	0	0	0	4.61	5.31	
78	22	0	0	0	0	0	0	8.93	10.27	
79	22	0	0	0	0	0	0	2.31	2.65	
80	22	0	0	0	0	0	0	7.22	8.30	
81	22	0	0	0	0	0	0	7.77	8.55	
82	22	0	0	0	0	0	0	4.61	5.31	
83	22	0	0	0	0	0	0	8.93	10.27	
84	22	0	0	0	0	0	0	2.31	2.65	
85	22	0	0	0	0	0	0	7.22	8.30	
86	22	0	0	0	0	0	0	7.77	8.55	
87	22	0	0	0	0	0	0	4.61	5.31	
88	22	0	0	0	0	0	0	8.93	10.27	
89	22	0	0	0	0	0	0	2.31	2.65	
90	22	0	0	0	0	0	0	7.22	8.30	
91	22	0	0	0	0	0	0	7.77	8.55	
92	22	0	0	0	0	0	0	4.61	5.31	
93	22	0	0	0	0	0	0	8.93	10.27	
94	22	0	0	0	0	0	0	2.31	2.65	
95	22	0	0	0	0	0	0	7.22	8.30	
96	22	0	0	0	0	0	0	7.77	8.55	
97	22	0	0	0	0	0	0	4.61	5.31	
98	22	0	0	0	0	0	0	8.93	10.27	
99	22	0	0	0	0	0	0	2.31	2.65	
100	22	0	0	0	0	0	0	7.22	8.30	

STRESSING SEQUENCE:

- STRESS 50% OF SLAB TENDONS
- STRESS 100 OF SLAB TEMPERATURE TENDONS
- STRESS 50% OF BEAM TENDONS
- STRESS 50% OF GIRDER TENDONS (WHERE APPLICABLE)
- STRESS REMAINING SLAB TENDONS
- STRESS REMAINING BEAM TENDONS
- STRESS REMAINING GIRDER TENDONS (WHERE APPLICABLE)

LEVEL 3, 4 AND 5 SLAB TENDON PLAN-SEC. A
SCALE 3/32"=1'-0"

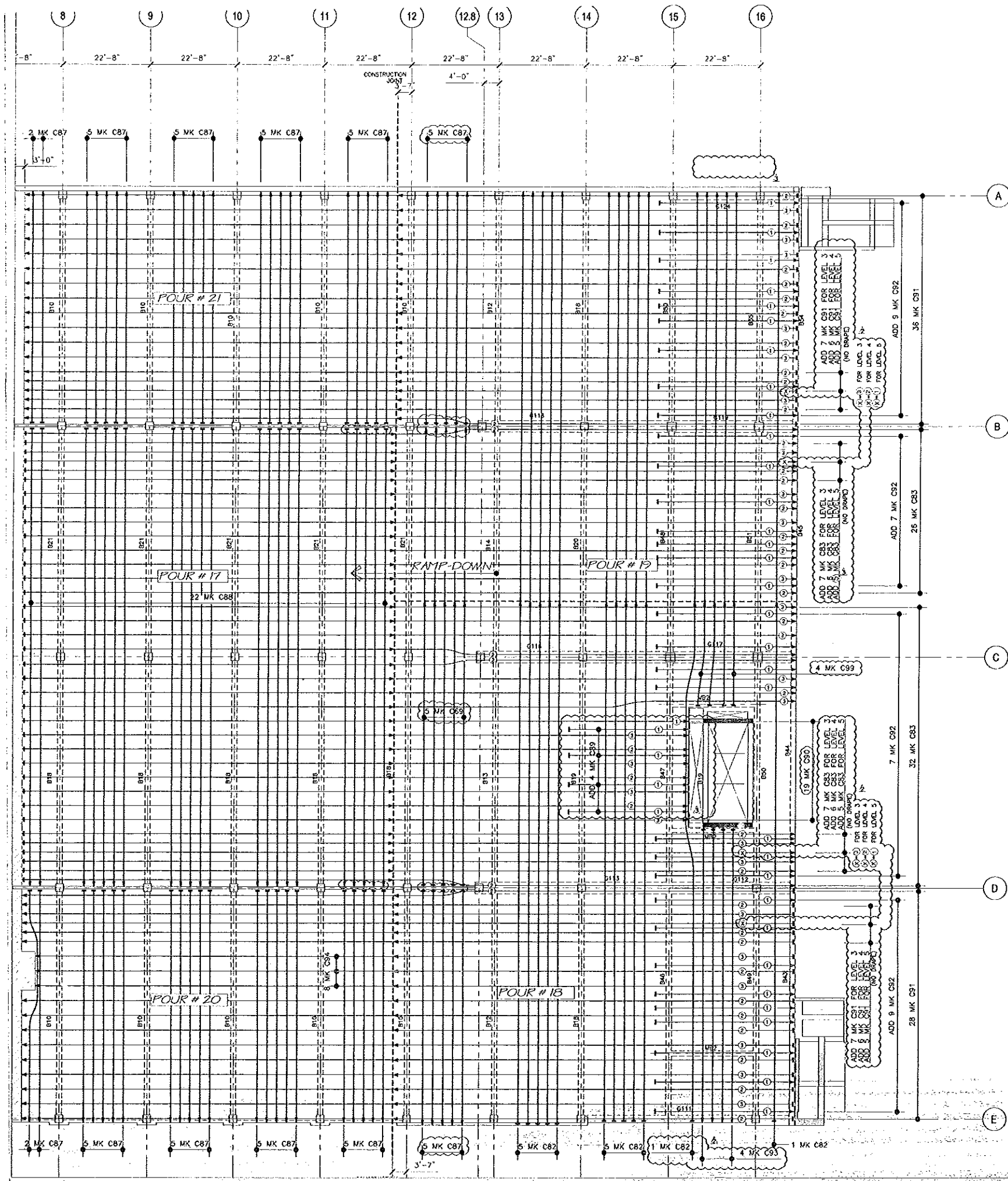
AMSYSCO, INC.
740 RACQUET CLUB DRIVE
ADDISON, IL (630)628-6999
FAX (630)628-6399

DATE: _____
CHECKED BY: ED
DRAWN BY: WE
JOB NO.:

ISSUED DATE: 05/20/07
REVISION NO. 1
FOR APPROVAL: [Signature] TK
FOR FIELD USE: [Signature] TK

PROJECT: UK Patient Care Facility New Garage
Lexington, Kentucky
CONTRACTOR: Whittberg Construction
ENGINEER: THP Limited
ARCHITECT: GBBN Architects
Level 3, 4 and 5 Slab Tendon Plan -Sector A

PT-3A



TENDON SUMMARY																	
0.5" ENCAPSULATED SYSTEM																	
NO. REOD / FOUR																	
16	17	18	19	20	21	22	23	POUR # FOR LEVEL 3									
24	25	26	27	28	29	30	31	POUR # FOR LEVEL 4									
32	33	34	35	36	37	38	39	POUR # FOR LEVEL 5									
								TENDON MARK	COLOR	ANCHOR TYPE	CUTTING LENGTH (ft)	ANCHOR LOCATION		ELONGATION (%)			
												31 Min	31 Max	33 Min	33 Max		
				35*	43*			C80	BLU-BLK-PLR	FVM	150.0	57.0	69.0	4.39	5.05	6.62	7.62
				34**	42**			C80									
				33***	41***			C60									
						20	16	C81	BLU-BLK-TAN	FM	50.0	28.0		2.08	2.40		
17							10	C82	BLU-ORG-SVR	FVM	244.0	135.0	158.0	10.12	11.64	8.04	9.24
	65*							C83	BLU-ORG-OLD	FVM	203.5	97.0	114.5	7.22	8.30	7.77	8.55
	70**							C83									
	65**							C83									
		8						C84	BLU-ORG-PUR	FVM	146.5	55.5	89.0	4.13	4.75	4.39	5.05
			53*	33*				C85	BLU-ORG-TAN	FVM	150.0	73.5	74.5	5.47	6.29	5.54	6.38
			52**	32**				C85									
			51***	31***				C85									
					20	16		C87	BLU-SVR-PUR	FM	64.0	62.0		4.61	5.31		
17	22						5	C88	BLU-SVR-TAN	FM	122.0	120.0		8.93	10.27		
		4						C89	BLU-OLD-PUR	FM	33.0	31.0		2.31	2.65		
	19							C90	BLU-OLD-TAN	FVM	175.5	97.0	76.5	7.22	8.30	5.69	6.55
			35*	43*				C91	BLU-PUR-TAN	FVM	203.5	114.5	97.0	7.77	8.95	7.22	8.33
			34**	42**				C91									
			33***	41***				C91									
		16	16					C92	RED-YEL-WHT	FM	38.5	26.5		2.72	3.12		
		4						C93	RED-YEL-BLK	FM	82.0	83.0		5.95	6.65		
								C94	RED-YEL-ORG	FVM	200.0	104.5	93.5	7.77	8.95	6.55	8.00
	82*			55*				C95	RED-YEL-SVR	FVM	247.0	130.5	126.5	10.16	11.68	7.92	9.12
	82**			56**				C95									
	82**			58**				C95									
		8*	8*	107*	107*	9*	9*	C96	RED-YEL-OLD	FM	65.0	63.0		4.69	5.39		
		6**	6**	107**	107**	9**	9**	C96									
		8***	8***	107***	107***	9***	9***	C96									
32	56							C97	RED-YEL-PUR	FM	124.0	122.0		9.08	10.44		
				5	5			C71	BLU-WHT-BLK	FVM	188.0	62.0	124.0	4.61	5.31	9.22	10.62
								C98	RED-YEL-TAN	FM	28.0	26.0		1.93	2.23		
								C99	RED-WHT-BLK	FVM	137.5	29.0	125.5	2.16	2.48	7.92	9.12
								C102	RED-WHT-OLD	FM	50.0	48.0		3.57	4.11		
								C103	RED-WHT-PUR	FM	36.0	34.0		2.53	2.91		
								C104	RED-WHT-TAN								
								C105	RED-BLK-ORG	FM	65.0	63.0		6.18	7.10		
								C106	RED-BLK-SVR	FM	58.5	56.5		4.20	4.84		
								C69	BLU-YEL-PUR	FVM	124.5	73.0	45.5	5.54	6.36	3.38	3.89
								C69									
								C69									

REMARKS:
 * - USE QUANTITY FOR LEVEL 3 ONLY
 ** - USE QUANTITY FOR LEVEL 4 ONLY
 *** - USE QUANTITY FOR LEVEL 5 ONLY

- STRESSING SEQUENCE:**
- STRESS 50% OF SLAB TENDONS
 - STRESS 100 OF SLAB TEMPERATURE TENDONS
 - STRESS 50% OF BEAM TENDONS
 - STRESS 50% OF GIRDER TENDONS (WHERE APPLICABLE)
 - STRESS REMAINING SLAB TENDONS
 - STRESS REMAINING BEAM TENDONS
 - STRESS REMAINING GIRDER TENDONS (WHERE APPLICABLE)

LEVEL 3, 4 and 5 SLAB TENDON PLAN-SECTOR B
 SCALE 3/32"-1"0"

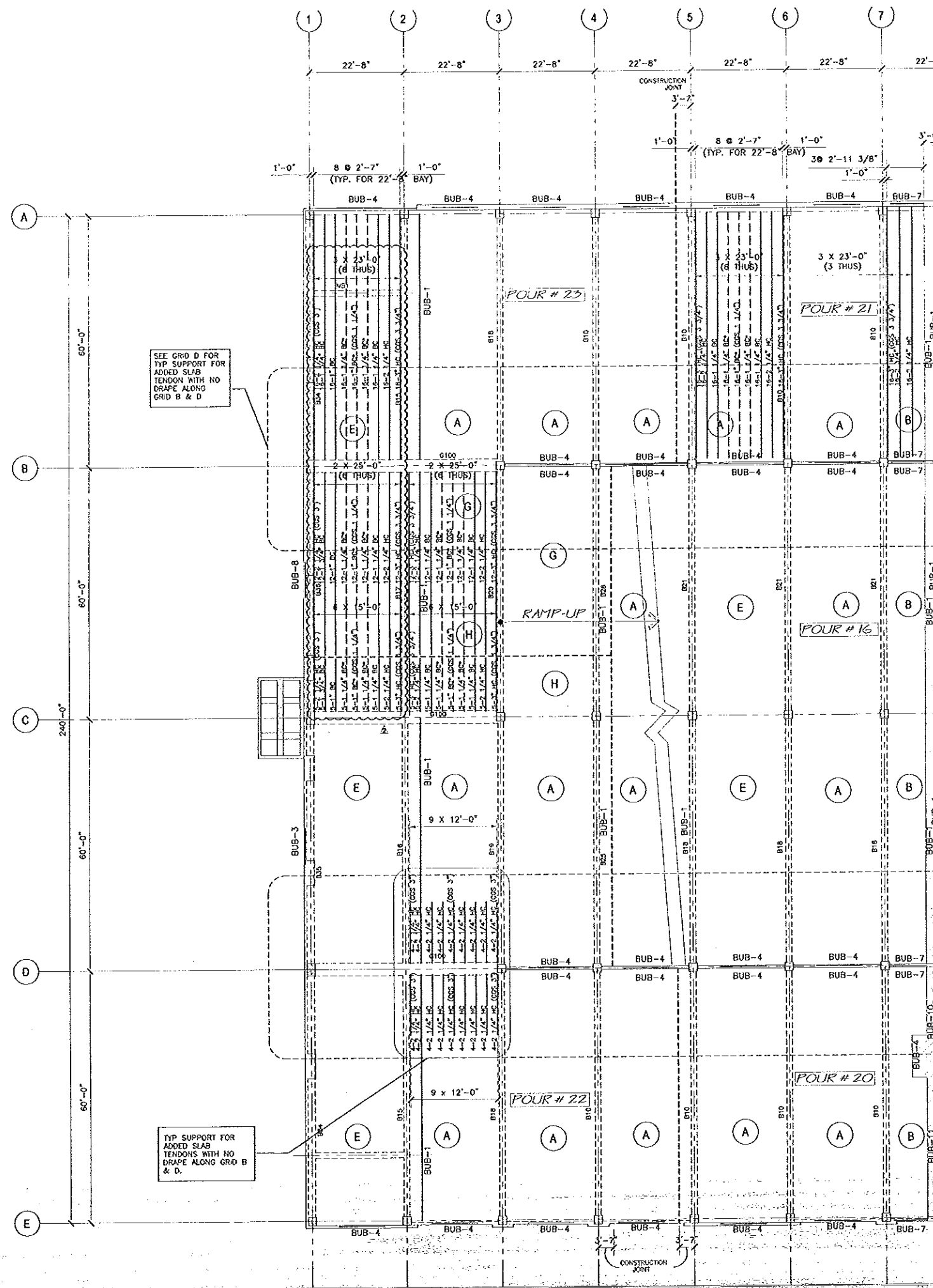
AMSYSCO, INC.
 740 RACQUET CLUB DRIVE
 ADDISON, IL (630)828-6669
 FAX (630)828-6399

PROJECT: UK Patient Care Facility New Garage
 Lexington, Kentucky
CONTRACTOR: Whittierberg Construction
ENGINEER: THP Limited
ARCHITECT: GEBN Architects
 Level 3/4 and 5 Slab Tendon Plan-Sector B

ISSUED	NO.	REVISION	DATE	BY	ISSUED	NO.	REVISION	DATE	BY
FOR APPROVAL	1	06/06/06 WAR	06/06/06	WAR	FOR FIELD USE	5	04/07/07 TK	04/07/07	TK
FOR FIELD USE	3	02/06/07 WAR	02/06/07	WAR	FOR FIELD USE	6	05/09/07 TK	05/09/07	TK
FOR FIELD USE	4	03/13/07 WAR	03/13/07	WAR	FOR FIELD USE	7	05/30/07 TK	05/30/07	TK

JOB NO.:
 DRAWN BY: WE
 CHECKED BY: ED
 DATE:

PT-3B



SEE GRID D FOR TYP SUPPORT FOR ADDED SLAB TENDON WITH NO DRAPE ALONG GRID B & D

TYP SUPPORT FOR ADDED SLAB TENDON WITH NO DRAPE ALONG GRID B & D.

BACK-UP-BAR (B.U.B.) SCHEDULE

NOTE: ALL BARS EPOXY COATED

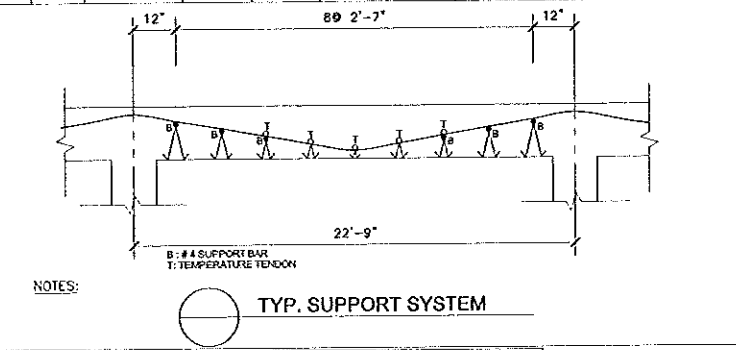
BUB - 1	3 x 2 - #4 (11, 18) x 23'-0" + (16 - 2 1/4" HC)
BUB - 2	9 x 2 - #4 (11, 18) x 29'-0" + (61 - 2 1/4" HC)
BUB - 3	5 x 2 - #4 (11, 18) x 30'-0" + (36 - 2 1/4" HC)
BUB - 4	2 - #4 (11, 18) x 12'-0" + (5 - 2 1/4" HC)
BUB - 5	2 - #4 (11, 18) x 2'-0" + (2 - 2 1/4" HC)
BUB - 6	2 - #4 (11, 18) x 7'-0" + (3 - 2 1/4" HC)
BUB - 7	2 - #4 (11, 18) x 5'-0" + (3 - 2 1/4" HC)
BUB - 8	4 x 2 - #4 (11, 18) x 29'-0" + (28 - 2 1/4" HC)
BUB - 9	2 - #4 (11, 18) x 25'-0" + (7 - 2 1/4" HC)
BUB - 10	2 - #4 (11, 18) x 18'-0" + (6 - 2 1/4" HC)
BUB - 11	2 x 2 - #4 (11, 18) x 18'-0" + (12 - 2 1/4" HC)

CHAIR LIST

FOR LEVEL 3	POUR # 16	POUR # 17	POUR # 18	POUR # 19	POUR # 20	POUR # 21	POUR # 22	POUR # 23
FOR LEVEL 4	POUR # 24	POUR # 25	POUR # 26	POUR # 27	POUR # 28	POUR # 29	POUR # 30	POUR # 31
FOR LEVEL 5	POUR # 32	POUR # 33	POUR # 34	POUR # 35	POUR # 36	POUR # 37	POUR # 38	POUR # 39
TYPE	HEIGHT							
BC	1"	128	144	100	96	65	154	135
	1 1/4"	352	512	400	384	384	455	587
	1 3/4"	32					32	33
HC	2"							
	2 1/4"	560	690	760	844	504	580	615
	2 1/2"				116	28		
	2 3/4"	32	32	33	28	32	32	
	3"	192	268	326	238	224	224	212

SLAB BAR LIST

FOR LEVEL 3	POUR # 16	POUR # 17	POUR # 18	POUR # 19	POUR # 20	POUR # 21	POUR # 22	POUR # 23
FOR LEVEL 4	POUR # 24	POUR # 25	POUR # 26	POUR # 27	POUR # 28	POUR # 29	POUR # 30	POUR # 31
FOR LEVEL 5	POUR # 32	POUR # 33	POUR # 34	POUR # 35	POUR # 36	POUR # 37	POUR # 38	POUR # 39
BAR	LENGTH							
#4	2'			2	2			
#4	5'	4	4	4		8	8	
#4	12'	75	97	83	93	91	87	77
#4	13'			8				
#4	15'			28				12
#4	16'			10				6
#4	17'			4				
#4	18'			12		12		
#4	23'	94	174	159	99	126	138	144
#4	24'			2				50
#4	25'			4	44			36
#4	29'				8			8
#4	30'							10



NOTES:
 ○ TYP. SUPPORT SYSTEM
 o) * - CHAIRS DIRECTLY SUPPORTING TENDONS WITH #4 BARS TIED TO TOP OF TENDONS FOR LATERAL SUPPORT.

LEVEL 3, 4 AND 5 SLAB TENDON SUPPORT PLAN-SECTOR A
 SCALE 3/32=1'-0"

AMSYSCO, INC.
 740 RACQUET CLUB DRIVE
 ADDISON, IL (630)256-6469
 FAX (630)256-4309

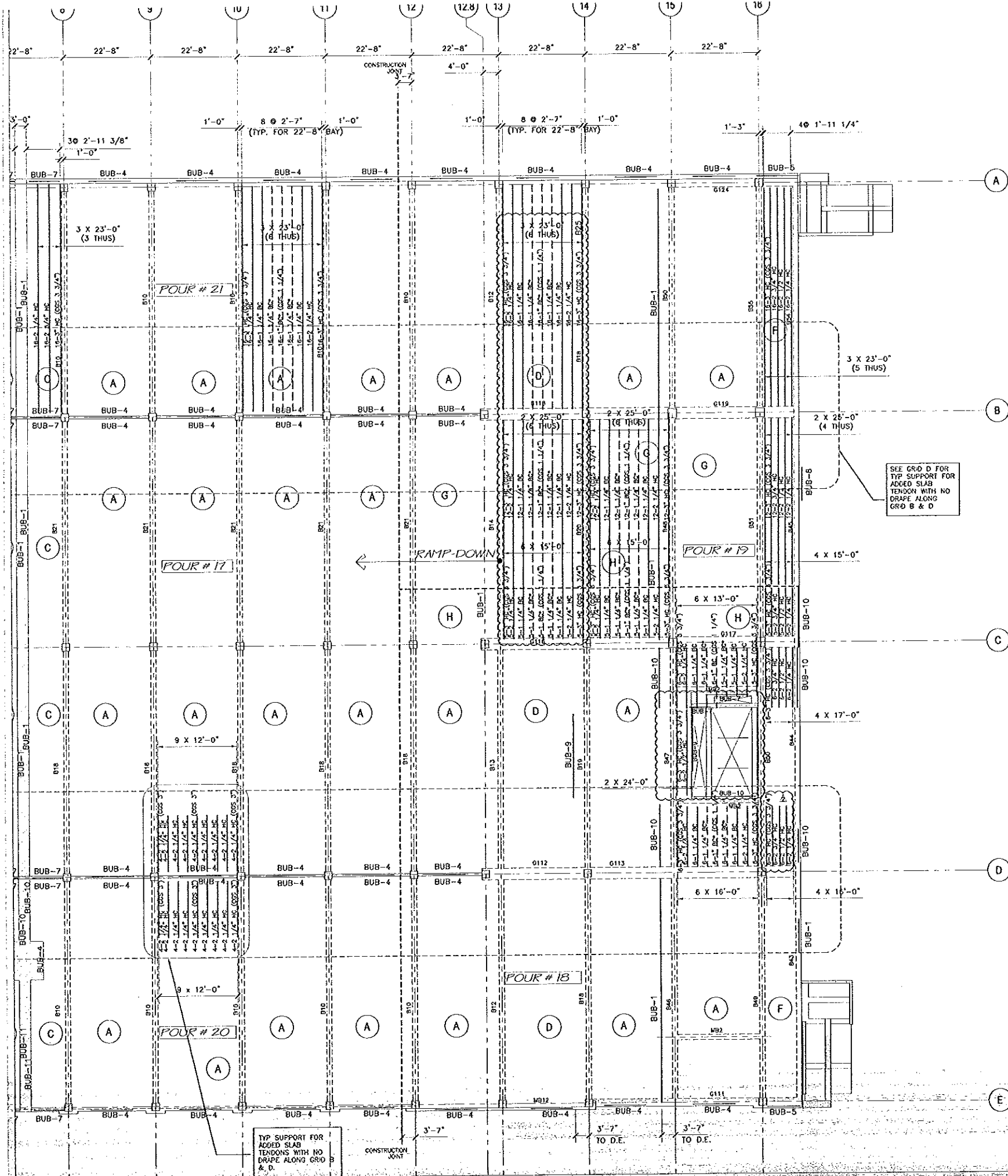
PROJECT: UK Patient Care Facility New Garage
 Lexington, Kentucky
 CONTRACTOR: Whitterberg Construction
 ENGINEER: THP Limited
 ARCHITECT: GBBN Architects

Level 3, 4, and 5 Slab Support Plan-Sector A

ISSUED	NO.	REVISION	ISSUED	BY:
DATE:	1	FOR APPROVAL FOR FIELD USE	DATE:	06/06/06
				09/06/06

JOB NO.:
 DRAWN BY: WE
 CHECKED BY: ED
 DATE:

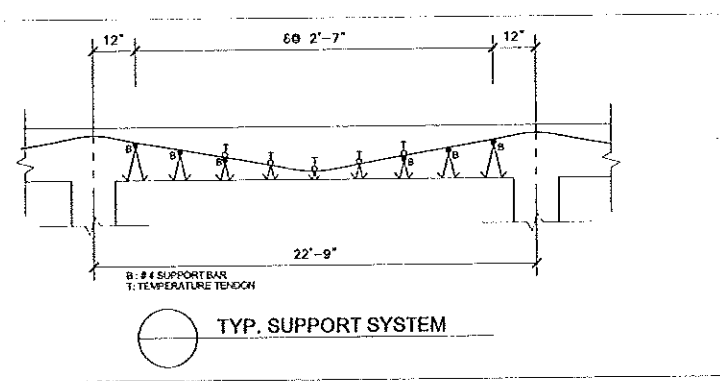
PT-3C



BACK-UP-BAR (BUB.) SCHEDULE

NOTE: ALL BARS EPOXY COATED

BUB -	Quantity	Dimensions	Notes
BUB - 1	3 x 2	#4 (11, 18) x 23'-0" + (16 - 2 1/4" HC)	
BUB - 2	9 x 2	#4 (11, 18) x 29'-0" + (61 - 2 1/4" HC)	
BUB - 3	5 x 2	#4 (11, 18) x 30'-0" + (36 - 2 1/4" HC)	
BUB - 4	2 - #4	(11, 18) x 12'-0" + (5 - 2 1/4" HC)	
BUB - 5	2 - #4	(11, 18) x 2'-0" + (2 - 2 1/4" HC)	
BUB - 6	2 - #4	(11, 18) x 7'-0" + (3 - 2 1/4" HC)	
BUB - 7	2 - #4	(11, 18) x 5'-0" + (3 - 2 1/4" HC)	
BUB - 8	4 x 2	#4 (11, 18) x 29'-0" + (28 - 2 1/4" HC)	
BUB - 9	2 - #4	(11, 18) x 25'-0" + (7 - 2 1/4" HC)	
BUB - 10	2 - #4	(11, 18) x 18'-0" + (6 - 2 1/4" HC)	
BUB - 11	2 x 2	#4 (11, 18) x 18'-0" + (12 - 2 1/4" HC)	



- NOTES:
- a) * - CHAIRS DIRECTLY SUPPORTING TENDONS WITH #4 BARS TIED TO TOP OF TENDONS FOR LATERAL SUPPORT.
 - b) SEE PT-20 FOR CHAIR LIST AND SLAB BAR LIST

LEVEL 3, 4 and 5 SLAB TENDON SUPPORT PLAN-SECTOR B
SCALE: 3/32"=1'-0"

AMSYSCO, INC.
740 RACQUET CLUB DRIVE
ADDISON, IL (630)628-6969
FAX (630)628-6309

JOB NO. _____
DRAWN BY: WE
CHECKED BY: ED
DATE: _____

PROJECT: UK Patient Care Facility New Garage
Lexington, Kentucky

CONTRACTOR: Whittberg Construction
ENGINEER: TJP Limited
ARCHITECT: GBBN Architects

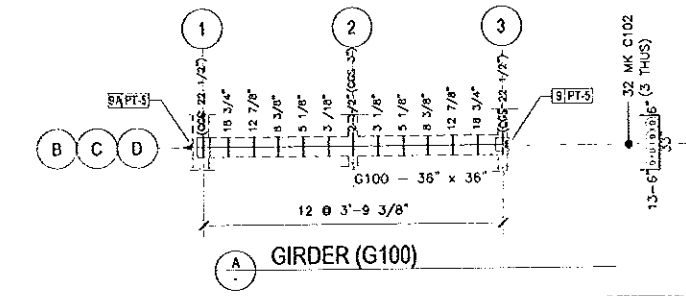
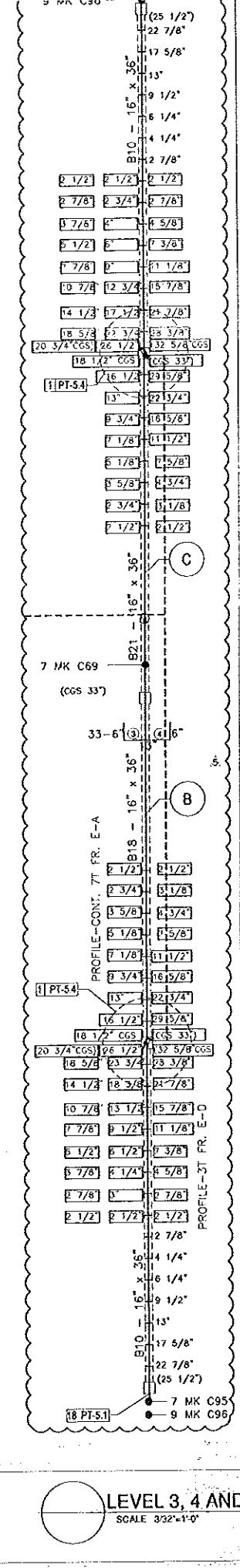
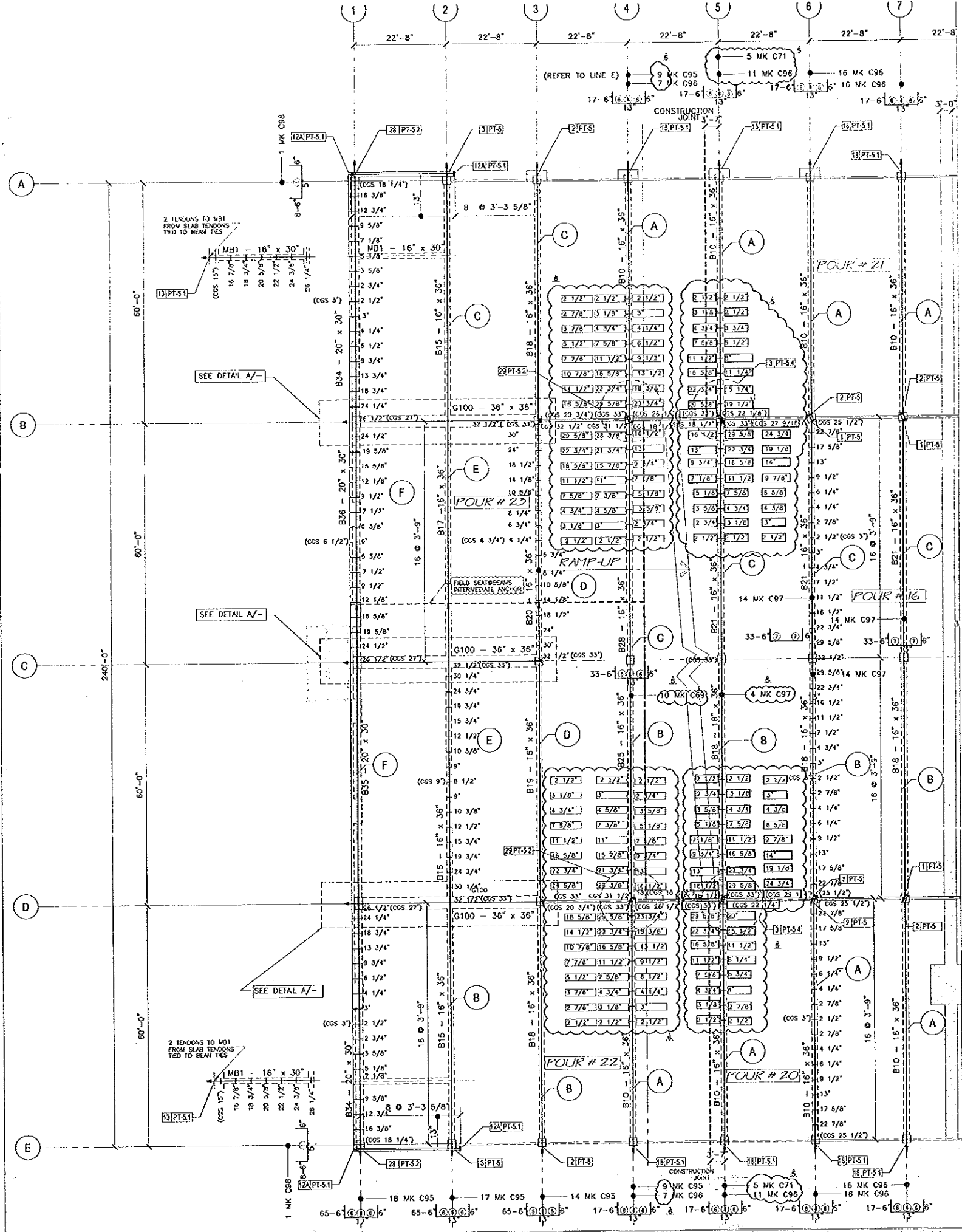
ISSUED: _____
DATE: _____

NO. 1
REVISION: _____

ISSUED: _____
DATE: _____

NO. 1
REVISION: _____

PT-3D



FOR LEVEL 3	POUR # 16	POUR # 17	POUR # 18	POUR # 19	POUR # 20	POUR # 21	POUR # 22	POUR # 23
BAR #	LENGTH							
#1	48	24					28	13
#2	21	21						
#3	12							65
#4	33	39	132	310	17	118	165	17
#5	8							8

PARTIAL PLAN OF B18-B21 AT line 4 at L3 and L4

NOTE:
FOR TENDON SUMMARY SEE PT-3A

LEVEL 3, 4 AND 5 BEAM TENDON LAYOUT & SUPPORT PLAN-SECTOR A
SCALE 3/32"=1'-0"

AMSCO, INC.
740 RACQUET CLUB DRIVE
ADDISON, IL 60101-6469
FAX (630) 628-6309

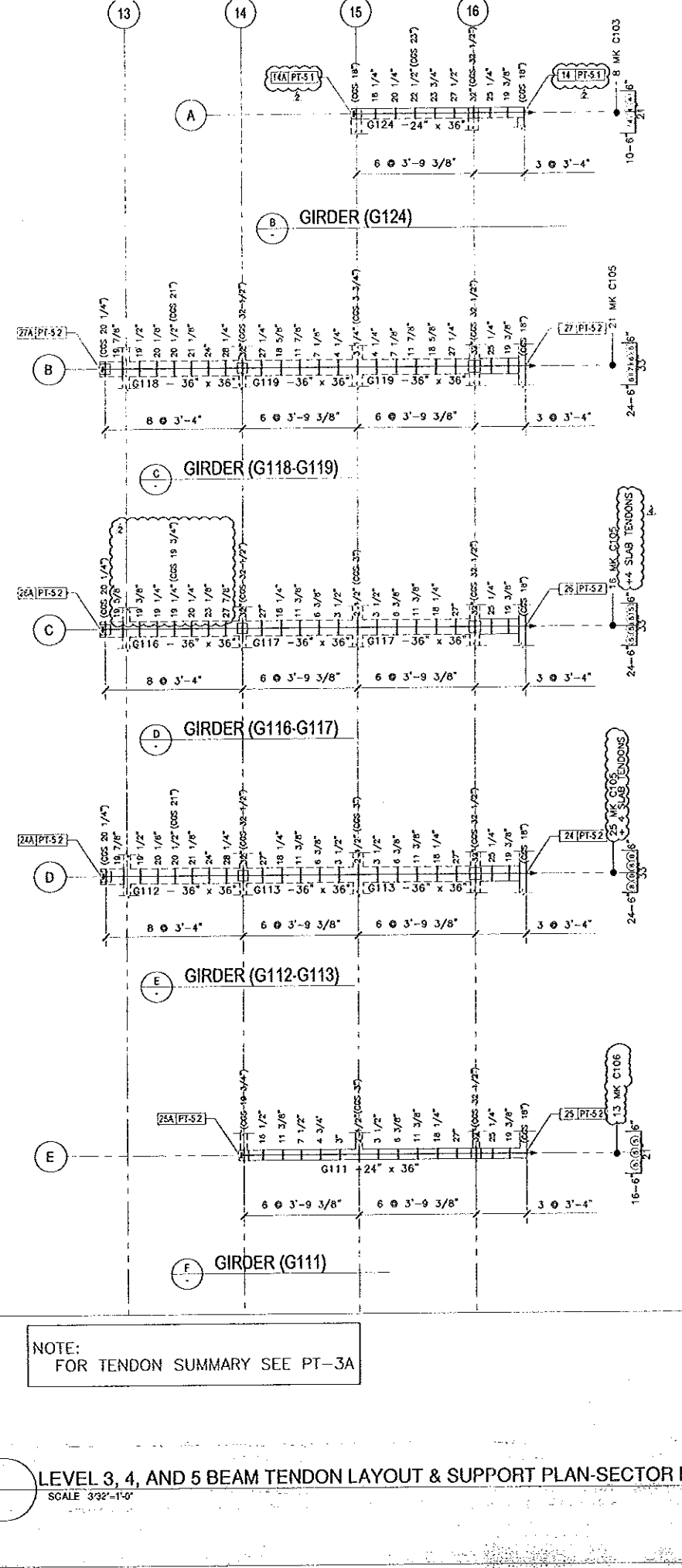
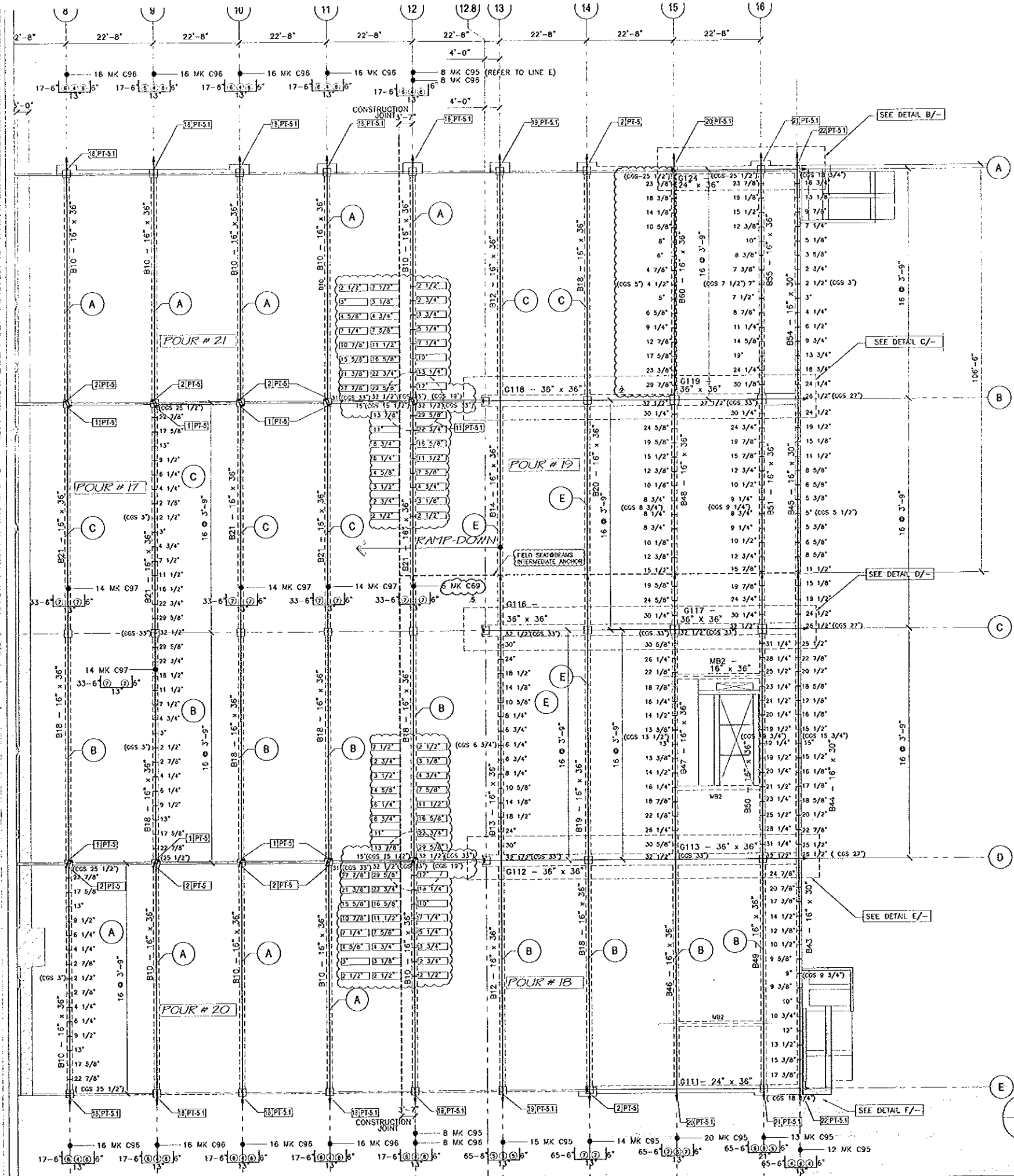
PROJECT: UK Patient Care Facility New Garage
Lexington, Kentucky
CONTRACTOR: Whitberg Construction
ENGINEER: THP Limited
ARCHITECT: GBBN Architects
Level 3, 4 and 5 Beam Tendon and Support Plan-Sector A

ISSUED NO. 1 DATE 06/06/06 BY: WAK FOR FIELD USE
REVISION NO. 1 DATE 06/06/06 BY: WAK FOR FIELD USE
NO. 1 DATE 06/06/06 BY: WAK FOR FIELD USE

ISSUED DATE 06/06/06 BY: WAK FOR FIELD USE
REVISION DATE 06/06/06 BY: WAK FOR FIELD USE
NO. 1 DATE 06/06/06 BY: WAK FOR FIELD USE

PROJECT NO. 06/06/06
DRAWN BY: WE
CHECKED BY: ED
DATE:

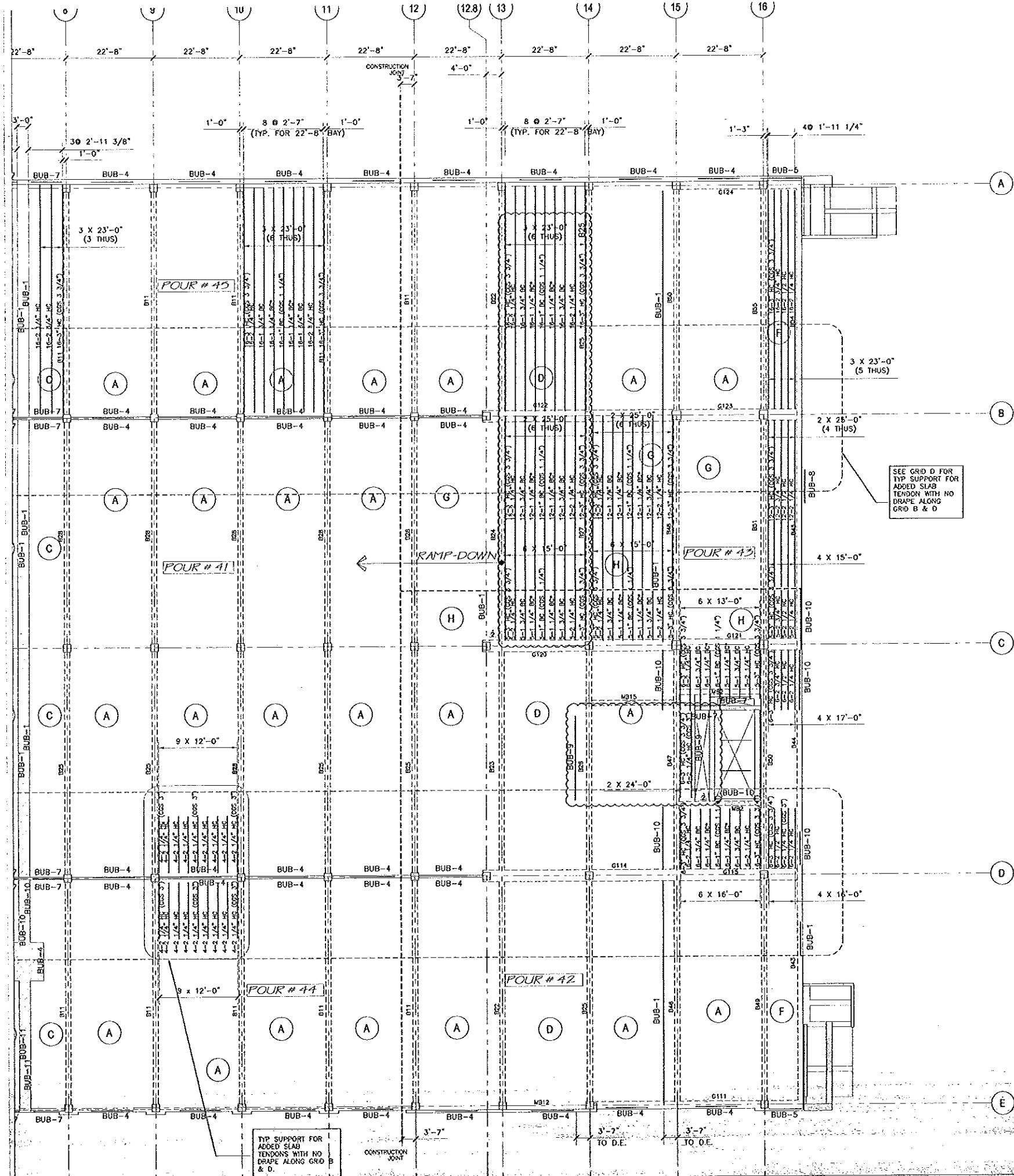
PT-3E



NOTE:
FOR TENDON SUMMARY SEE PT-3A

LEVEL 3, 4, AND 5 BEAM TENDON LAYOUT & SUPPORT PLAN-SECTOR B
SCALE 3/32"=1'-0"

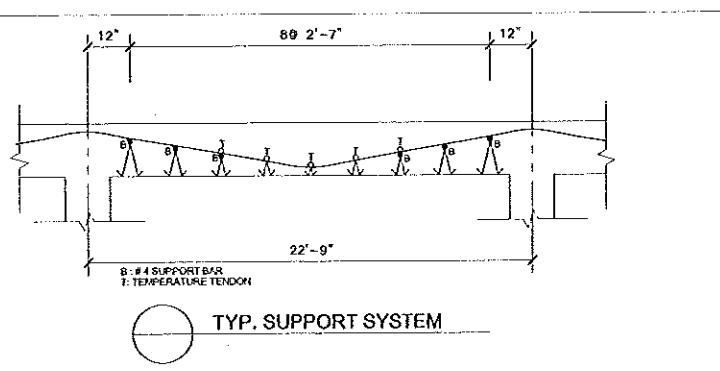
PROJECT: UK Patient Care Facility New Garage Lexington, Kentucky		ISSUED DATE: 06/06/06		ISSUED DATE: 06/07/06	
CONTRACTOR: Whittier Construction		REVISION NO. 1		REVISION NO. 2	
ENGINEER: THP Limited		FOR APPROVAL FOR FIELD USE		FOR FIELD USE	
ARCHITECT: GEEN Architects		FOR APPROVAL FOR FIELD USE		FOR FIELD USE	
Level 3, 4 and 5 Beam Tendon & Support Plan-Sector B		FOR APPROVAL FOR FIELD USE		FOR FIELD USE	
JOB NO.:		DRAWN BY: WE		CHECKED BY: ED	
740 RACQUET CLUB DRIVE ADDISON, IL (630) 628-6969 FAX (630) 628-6309		DATE:		DATE:	
AMSYSCO, INC.		AMSYSCO, INC.		AMSYSCO, INC.	
AMSYSCO, INC.		AMSYSCO, INC.		AMSYSCO, INC.	



BACK-UP-BAR (B.U.B.) SCHEDULE

NOTE: ALL BARS EPOXY COATED

BUB -	Quantity	Dimensions
BUB - 1	3 x 2	#4 (11, 18) x 23'-0" + (16 - 2 1/4" HC)
BUB - 2	9 x 2	#4 (11, 18) x 29'-0" + (61 - 2 1/4" HC)
BUB - 3	5 x 2	#4 (11, 18) x 30'-0" + (36 - 2 1/4" HC)
BUB - 4	2	#4 (11, 18) x 12'-0" + (5 - 2 1/4" HC)
BUB - 5	2	#4 (11, 18) x 2'-0" + (2 - 2 1/4" HC)
BUB - 6	2	#4 (11, 18) x 7'-0" + (3 - 2 1/4" HC)
BUB - 7	2	#4 (11, 18) x 5'-0" + (3 - 2 1/4" HC)
BUB - 8	4 x 2	#4 (11, 18) x 29'-0" + (28 - 2 1/4" HC)
BUB - 9	2	#4 (11, 18) x 25'-0" + (7 - 2 1/4" HC)
BUB - 10	2	#4 (11, 18) x 18'-0" + (6 - 2 1/4" HC)
BUB - 11	2 x 2	#4 (11, 18) x 18'-0" + (12 - 2 1/4" HC)



- NOTES:
- a) * - CHAIRS DIRECTLY SUPPORTING TENDONS WITH #4 BARS TIED TO TOP OF TENDONS FOR LATERAL SUPPORT.
 - b) SEE PT-2C FOR CHAIR LIST AND SLAB BAR LIST

LEVEL 6 SLAB TENDON SUPPORT PLAN-SECTOR B
SCALE 3/32"=1'-0"

PROJECT: UK Patient Care Facility New Garage
Lexington, Kentucky

CONTRACTOR: Whittier Construction
ENGINEER: THP Limited
ARCHITECT: GREN Architects

FOR NO. _____

DRAWN BY: WE

CHECKED BY: ED

DATE: _____

AMSYSCO, INC.

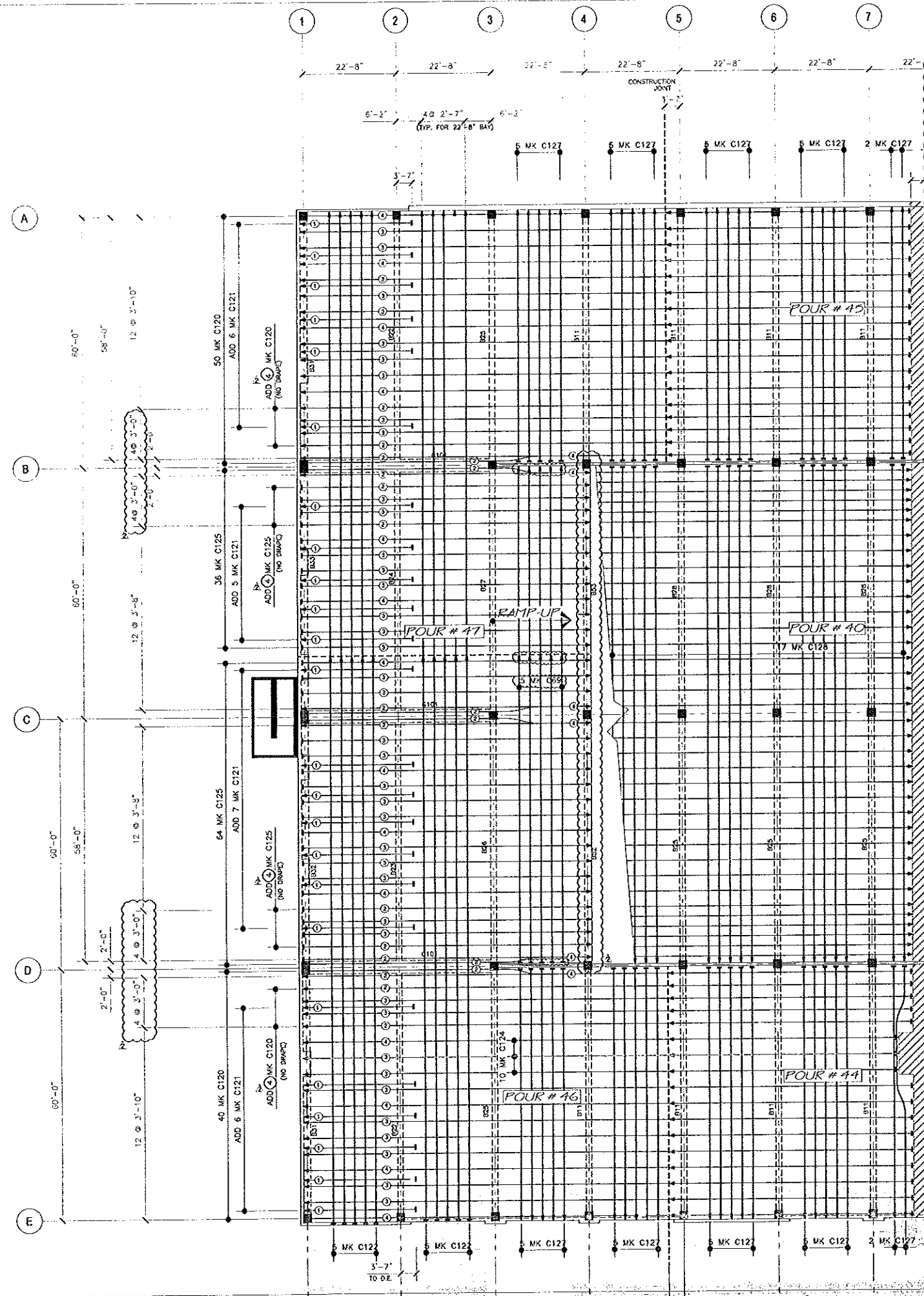
740 RACQUET CLUS DRIVE
ADDISON, IL (630)264-6969
FAX: (630)264-6399

ISSUED	BY	DATE
1	WAR	06/03/06
2	WAR	09/24/06

NO.	REVISION
1	FOR APPROVAL
2	FOR FIELD USE

Level 6 Slab Support Plan-Sector B

PT-4D



0.5" ENCAPSULATED SYSTEM										TENDON SUMMARY			
NO. REOD / POUR		TENDON MARK	COLOR	ANCHOR TYPE	CUTTING LENGTH (ft)	ANCHOR LOCATION		ELEVATION (ft)					
40	41	42	43	44	45	46	47	Δ1 Min	Δ1 Max	Δ2 Min	Δ2 Max		
				44	54			590	830	4.39	5.05	6.52	7.62
				13	11			280		2.08	2.40		
		17			10			245.0	135.0	10.12	11.64	7.92	9.12
								203.5	97.0	7.22	8.50	7.77	8.95
								146.5	55.5	4.13	4.75	4.39	5.05
				68	40			72.0	70.0	5.21	5.99		
		2						140.0	21.5	2.34	2.70	7.92	9.12
				34	34	10	10	64.0	62.0	4.61	5.31		
								122.0	123.0	8.93	10.27		
		17	22					33.0	31.0	2.31	2.65		
								175.5	97.0	7.22	8.30	5.69	6.55
								203.5	124.5	7.77	8.95	7.22	8.30
				10	11			38.5	35.0	2.72	3.12		
								82.0	80.0	5.95	6.85		
								200.0	124.5	7.77	8.95	6.56	8.00
								245.0	135.5	10.16	11.68	7.92	9.12
								65.0	63.0	4.69	5.39		
								124.0	122.5	9.08	10.44		
								97.0	95.0	7.07	8.13		
								137.5	290	2.16	2.48	7.92	9.12
								143.0	141.0	10.49	12.07		
								83.0	81.0	6.03	6.93		
								50.0	48.0	3.57	4.11		
								38.0	36.0	2.53	2.91		
								85.0	83.0	6.18	7.10		
								58.5	56.5	4.20	4.84		
								124.00	75.0	5.59	8.45	3.44	3.95
								168.0	166.0	8.61	5.31	9.22	10.62

- STRESSING SEQUENCE:**
- A. STRESS 50% OF SLAB TENDONS
 - B. STRESS 100 OF SLAB TEMPERATURE TENDONS
 - C. STRESS 50% OF BEAM TENDONS
 - D. STRESS 50% OF GIRDER TENDONS (WHERE APPLICABLE)
 - E. STRESS REMAINING SLAB TENDONS
 - F. STRESS REMAINING BEAM TENDONS
 - G. STRESS REMAINING GIRDER TENDONS (WHERE APPLICABLE)

LEVEL 6 SLAB TENDON PLAN - SEC. A
SCALE 3/32"=1'-0"

AMSYSO, INC.
740 RACQUET CLUB DRIVE
ADDITION, IL (800)628-6969
FAX (800)628-6099

PROJECT: UK Patient Care Facility New Garage
CONTRACTOR: Whittier Construction
ENGINEER: THP Limited
ARCHITECT: GREN Architects
Level 4 Slab Tendon Plan - Sector A

ISSUED DATE: 06/30/07
ISSUED BY: TK

REVISION NO. 1
FOR APPROVAL FOR FIELD USE
DATE: 06/24/06
BY: WAR

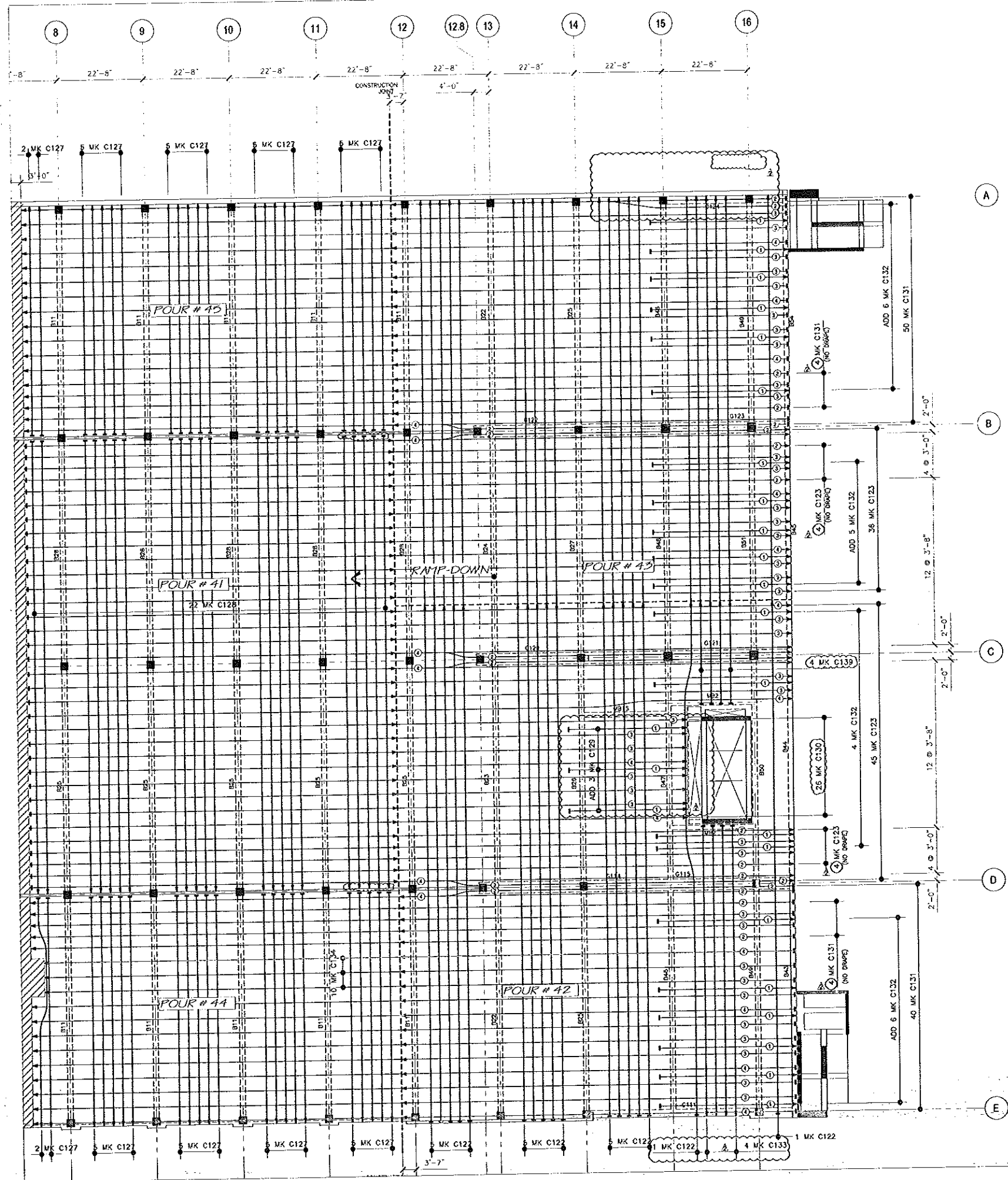
REVISION NO. 2
FOR FIELD USE
DATE: 06/07/07
BY: TK

REVISION NO. 3
FOR FIELD USE
DATE: 06/23/07
BY: TK

REVISION NO. 4
FOR FIELD USE
DATE: 06/23/07
BY: TK

JOB NO.:
DRAWN BY: WE
CHECKED BY: ED
DATE:

PT-4A



0.5" ENCAPSULATED SYSTEM										TENDON SUMMARY								
NO. REOD / POUR										TENDON MARK	COLOR	ANCHOR TYPE	CUTTING LENGTH (ft)	ANCHOR LOCATION	ELEVATION (ft)			
40	41	42	43	44	45	46	47	48	49						Δ1 Min	Δ1 Max	Δ2 Min	Δ2 Max
										C120	YEL-WHT-BLK	FM	150.0	59.0 → 87.0	4.39	5.65	6.62	7.62
										C121	YEL-WHT-ORG	FM	30.0	28.0	2.08	2.40		
										C122	YEL-WHT-SVR	FM	248.0	135.0 → 126.5	10.12	11.64	7.92	9.12
										C123	YEL-WHT-GLD	FM	203.5	97.0 → 124.5	7.22	8.50	7.77	8.95
										C124	YEL-WHT-PUR	FM	146.5	55.5 → 83.0	4.13	4.75	4.30	5.05
										C125	YEL-WHT-TAN	FM	72.0	70.0	5.21	5.99		
										C126	YEL-BLK-ORG	FM	140.0	21.5 → 126.5	2.34	2.70	7.92	9.12
										C127	YEL-BLK-SVR	FM	64.0	62.0	4.61	5.31		
										C128	YEL-BLK-GLD	FM	122.0	120.0	8.93	10.27		
										C129	YEL-BLK-PUR	FM	33.0	31.0	2.31	2.65		
										C130	YEL-BLK-TAN	FM	175.5	97.0 → 76.5	7.22	8.30	5.89	6.55
										C131	YEL-ORG-SVR	FM	203.5	124.5 → 97.0	7.77	8.95	7.22	8.30
										C132	YEL-ORG-GLD	FM	38.5	35.5	2.72	3.12		
										C133	YEL-ORG-PUR	FM	82.0	81.0	5.95	6.65		
										C134	YEL-ORG-TAN	FM	200.0	124.5 → 93.5	7.77	8.55	6.65	8.00
										C135	YEL-SVR-GLD	FM	248.0	135.5 → 126.5	10.16	11.68	7.92	9.12
										C136	YEL-SVR-PUR	FM	65.0	63.0	4.69	5.39		
										C137	YEL-SVR-TAN	FM	124.0	122.0	9.08	10.44		
										C138	YEL-GLD-PUR	FM	97.0	95.0	7.07	8.13		
										C139	YEL-GLD-TAN	FM	137.5	27.0 → 126.5	2.16	2.45	7.92	9.12
										C140	YEL-PUR-TAN	FM	143.0	141.0	10.49	12.07		
										C141	WHT-BLK-ORG	FM	83.0	81.0	6.03	6.93		
										C142	WHT-BLK-SVR	FM	50.0	48.0	3.57	4.11		
										C143	WHT-BLK-GLD	FM	36.0	34.0	2.53	2.91		
										C144	WHT-BLK-PUR	FM						
										C145	WHT-BLK-TAN	FM	85.0	83.0	6.18	7.10		
										C146	WHT-ORG-SVR	FM	58.5	56.5	4.20	4.84		
										C147	WHT-ORG-GLD	FM						
										C69	BLU-YEL-PUR	FM	124.00	75.5 → 46.5	5.59	6.43	3.44	3.99
										C71	BLU-WHT-BLK	FM	188.0	75.5 → 46.5	4.61	5.31	9.22	10.62

- STRESSING SEQUENCE:**
- A. STRESS 50% OF SLAB TENDONS
 - B. STRESS 100 OF SLAB TEMPERATURE TENDONS
 - C. STRESS 50% OF BEAM TENDONS
 - D. STRESS 50% OF GIRDER TENDONS (WHERE APPLICABLE)
 - E. STRESS REMAINING SLAB TENDONS
 - F. STRESS REMAINING BEAM TENDONS
 - G. STRESS REMAINING GIRDER TENDONS (WHERE APPLICABLE)

LEVEL 6 SLAB TENDON PLAN-SECTOR B
SCALE 3/32"=1'-0"

AMSYSCO, INC.
740 RACQUET CLUB DRIVE
ADDISON, IL (800)488-6969
FAX (800)488-6399

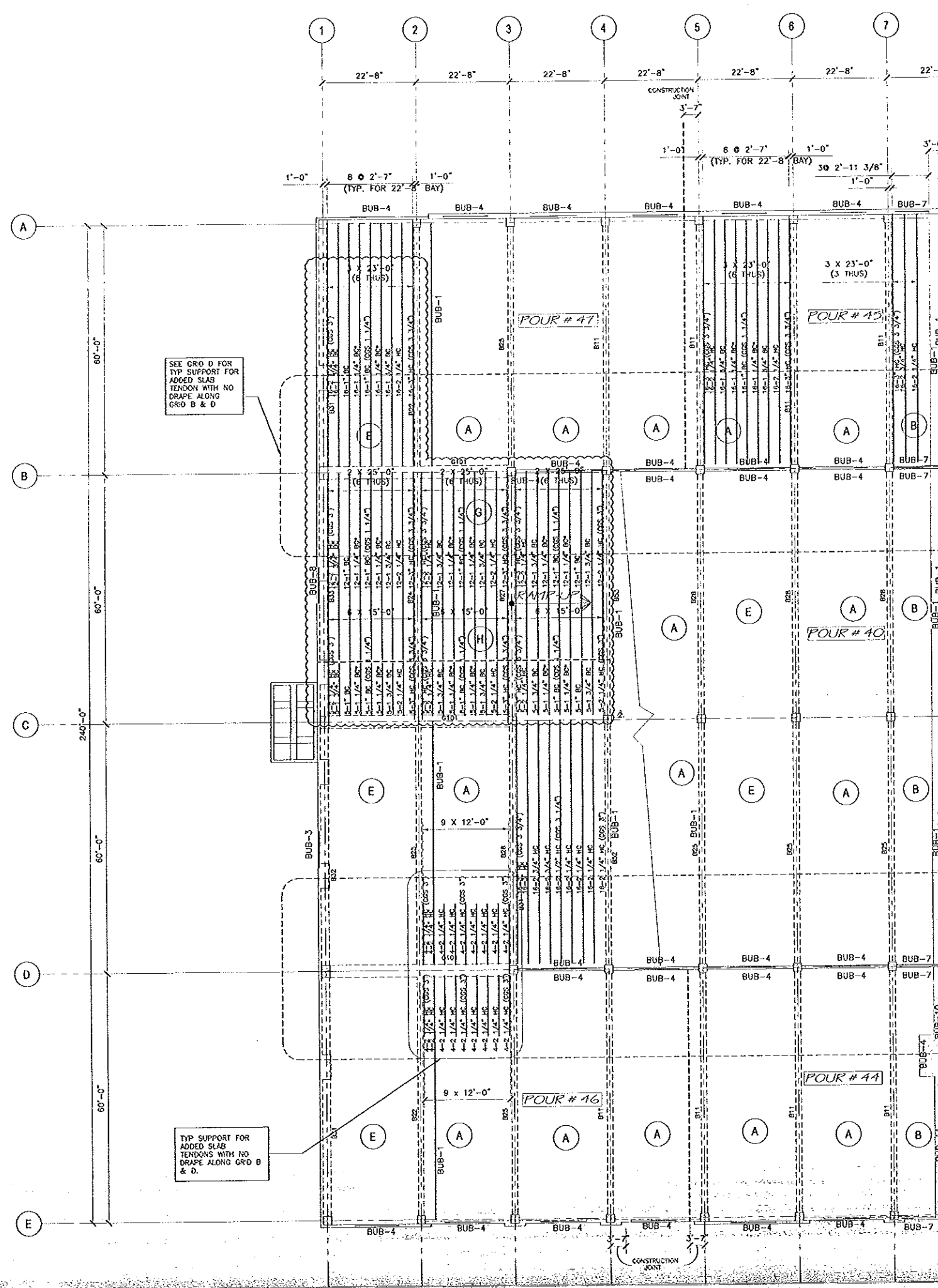
PROJECT: UK Patient Care Facility New Garage
Lexington, Kentucky
CONTRACTOR: Whiteberg Construction
ENGINEER: THP Limited
ARCHITECT: GBEN Architects
Level 6 Slab Tendon Plan-Sector B

ISSUED	NO.	REVISION	DATE	BY
1	1	FOR APPROVAL FOR FIELD USE	06/11/07	TK
2	2	FOR FIELD USE	07/26/07	TK
3	3	FOR FIELD USE	08/07/07	TK

ISSUED DATE: 08/07/07
BY: TK

JOB NO.:
DRAWN BY: WE
CHECKED BY: ED
DATE:

PT-4B



BACK-UP-BAR (B.U.B.) SCHEDULE

NOTE: ALL BARS EPOXY COATED

BUB -	BAR	LENGTH	QUANTITY
BUB - 1	3 x 2 - #4 (11, 18) x 23'-0" + (18 - 2 1/4" HC)		
BUB - 2	9 x 2 - #4 (11, 18) x 23'-0" + (61 - 2 1/4" HC)		
BUB - 3	5 x 2 - #4 (11, 18) x 30'-0" + (36 - 2 1/4" HC)		
BUB - 4	2 - #4 (11, 18) x 12'-0" + (5 - 2 1/4" HC)		
BUB - 5	2 - #4 (11, 18) x 2'-0" + (2 - 2 1/4" HC)		
BUB - 6	2 - #4 (11, 18) x 7'-0" + (3 - 2 1/4" HC)		
BUB - 7	2 - #4 (11, 18) x 5'-0" + (3 - 2 1/4" HC)		
BUB - 8	4 x 2 - #4 (11, 18) x 23'-0" + (28 - 2 1/4" HC)		
BUB - 9	2 - #4 (11, 18) x 25'-0" + (7 - 2 1/4" HC)		
BUB - 10	2 - #4 (11, 18) x 18'-0" + (6 - 2 1/4" HC)		
BUB - 11	2 x 2 - #4 (11, 18) x 18'-0" + (12 - 2 1/4" HC)		

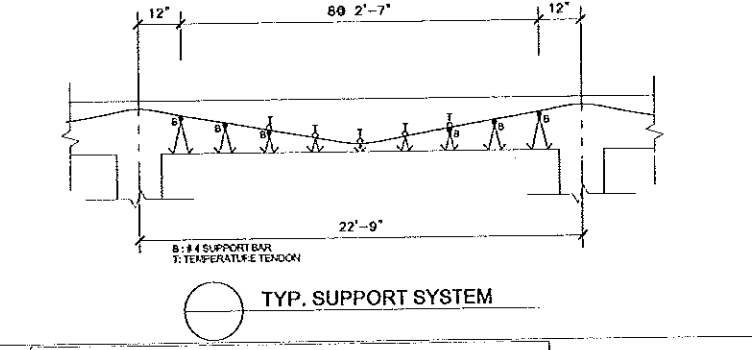
CHAIR LIST

TYPE	HEIGHT	POUR #							
		40	41	42	43	44	45	47	
BC	1 1/4"	128	128	144	112	96	96	153	140
	1 1/2"	192	256	287	224	192	192	222	200
	1 3/4"	192	256	287	224	192	192	222	200
HC	2"								
	2 1/4"	592	690	793	668	584	550	641	542
	2 1/2"			28	28			16	
	2 3/4"	32	32	27	28	32	32	32	
	3"	224	288	316	262	224	224	244	218

SLAB BAR LIST

BAR	LENGTH	POUR #							
		43	41	42	43	44	45	46	47
#4	2'			2	2				
#4	5'	4	4	4		8	8		
#4	9'								
#4	12'	75	97	93	93	87	87	77	77
#4	13'			6					
#4	15'			24	4			18	
#4	16'			10					
#4	17'			4					
#4	18'			12		12			
#4	23'	156	174	159	99	154	139	120	84
#4	24'			2					
#4	25'			4	56				36
#4	29'				8				8
#4	30'								10

REMARKS:
ALL BARS EPOXY COATED



NOTES:
o) * - CHAIRS DIRECTLY SUPPORTING TENDONS WITH #4 BARS TIED TO TOP OF TENDONS FOR LATERAL SUPPORT.

LEVEL 6 SLAB TENDON SUPPORT PLAN-SECTOR A
SCALE 3/32"=1'-0"

PROJECT: UK Patient Care Facility New Garage
Lexington, Kentucky
CONTRACTOR: Whittier Construction
ENGINEER: THP Limited
ARCHITECT: GBBN Architects

REVISION NO. 1
DATE: 06.11.06
FOR APPROVAL: [Signature]
FOR FIELD USE: [Signature]

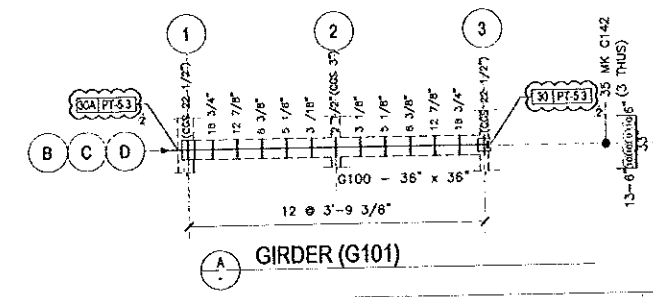
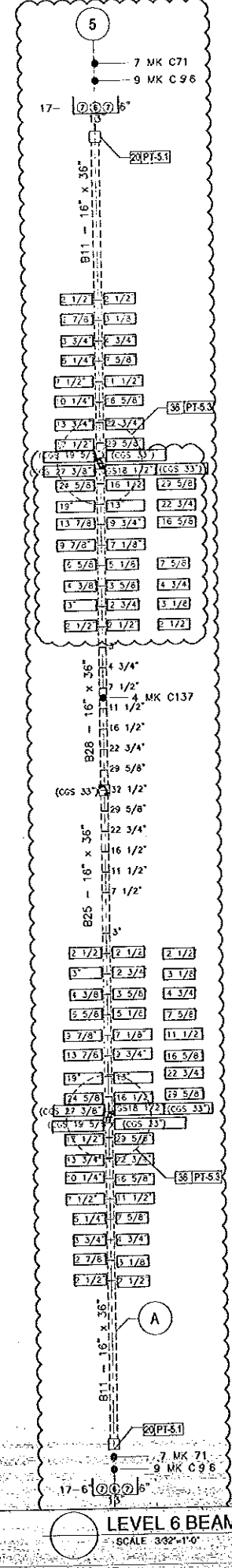
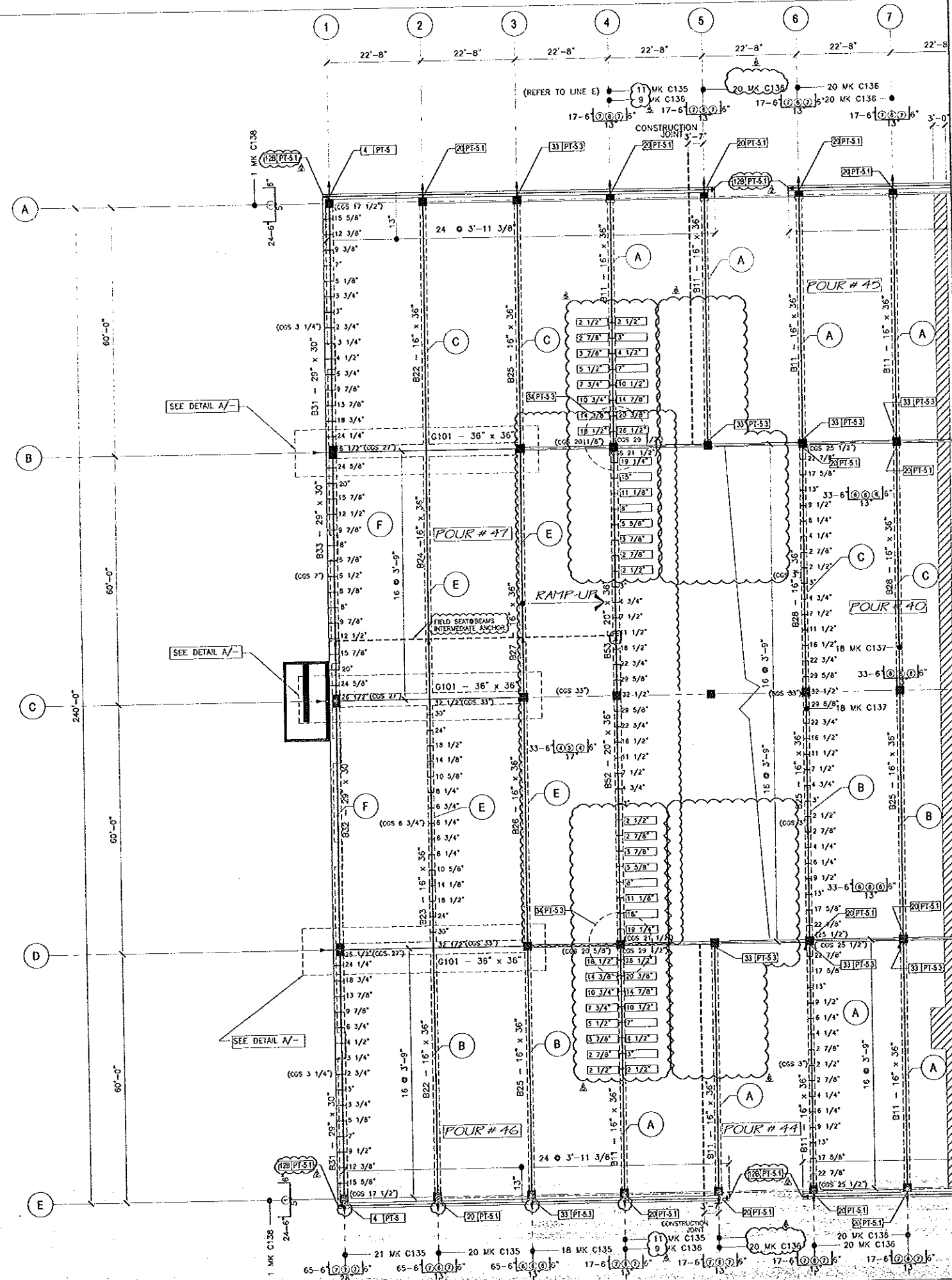
ISSUED DATE: 06.11.06
NO. 1
BY: [Signature]

REVISION NO. []
DATE: []
BY: []

AMSYSCO, INC.
740 RACQUET CLUB DRIVE
ADDISON, IL 60103-6999
FAX (800) 628-6309

JOB NO. []
DRAWN BY: WE
CHECKED BY: ED
DATE: []

PT-4C



BAR	LENGTH	P40	P41	P42	P43	P44	P45	P46	P47
#1	33			48	24			26	13
#1	21			14	10				33
#1	17								33
#1	13	99	132	109	203	119	113	119	115
#1	5			57	87	24	24		
#1	48	24	32	20	20	56	58	20	12
#1	35			28	10	8	6	15	
#1	30	34	45	65	42	84	84	28	48
#1	27			5	5			8	5
#1	24					19	10		19
#1	21	30	45	45	40	84	84	25	25
#1	17								8
#1	13					41	8		12
#1	12			4	4	4	4	4	4
#1	8			4	4	4	4	4	4

NOTE:
FOR TENDON SUMMARY SEE PT-4A

partial tendon layout and support plan
at grid line 5- ramp to Level 6

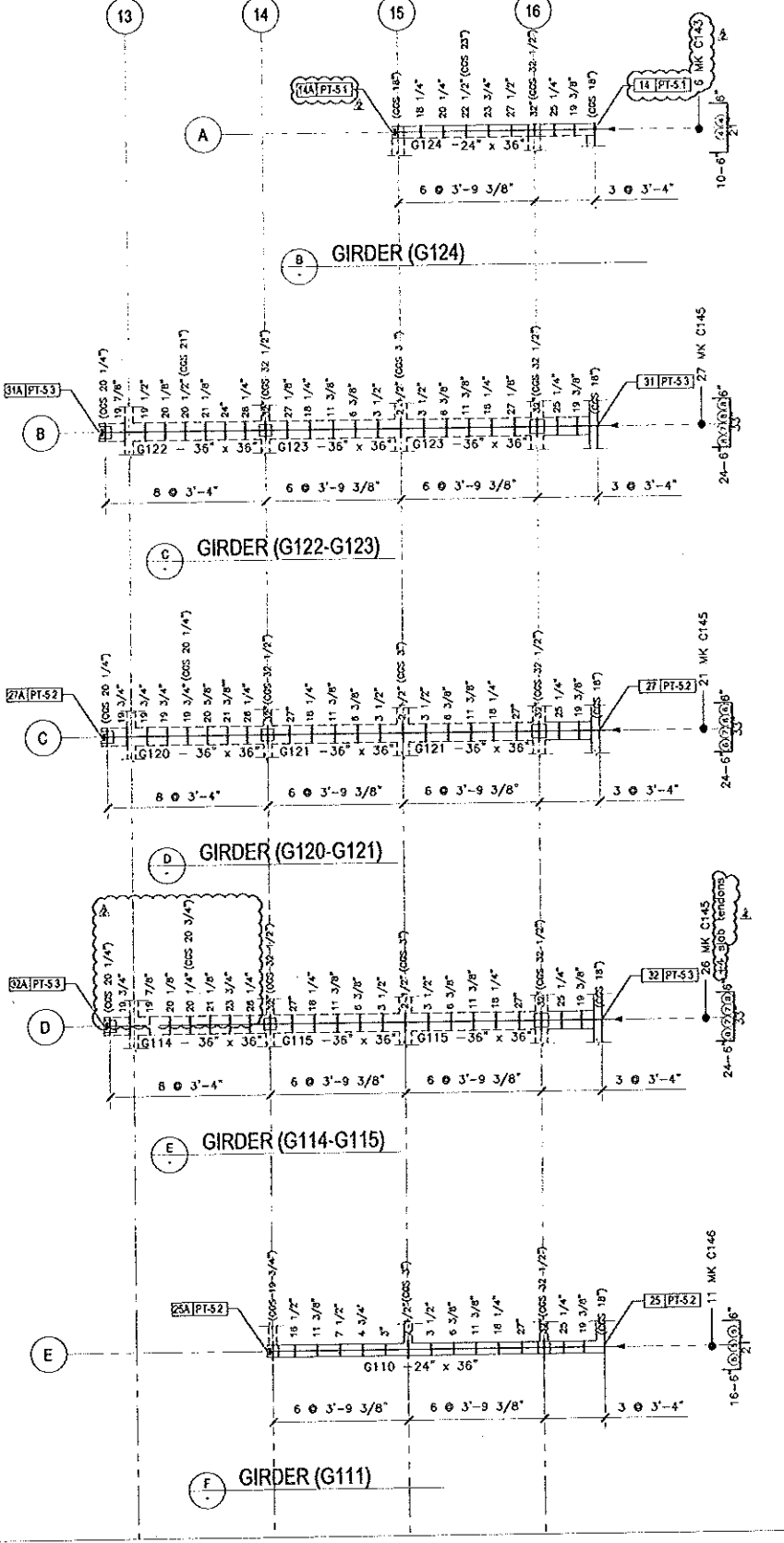
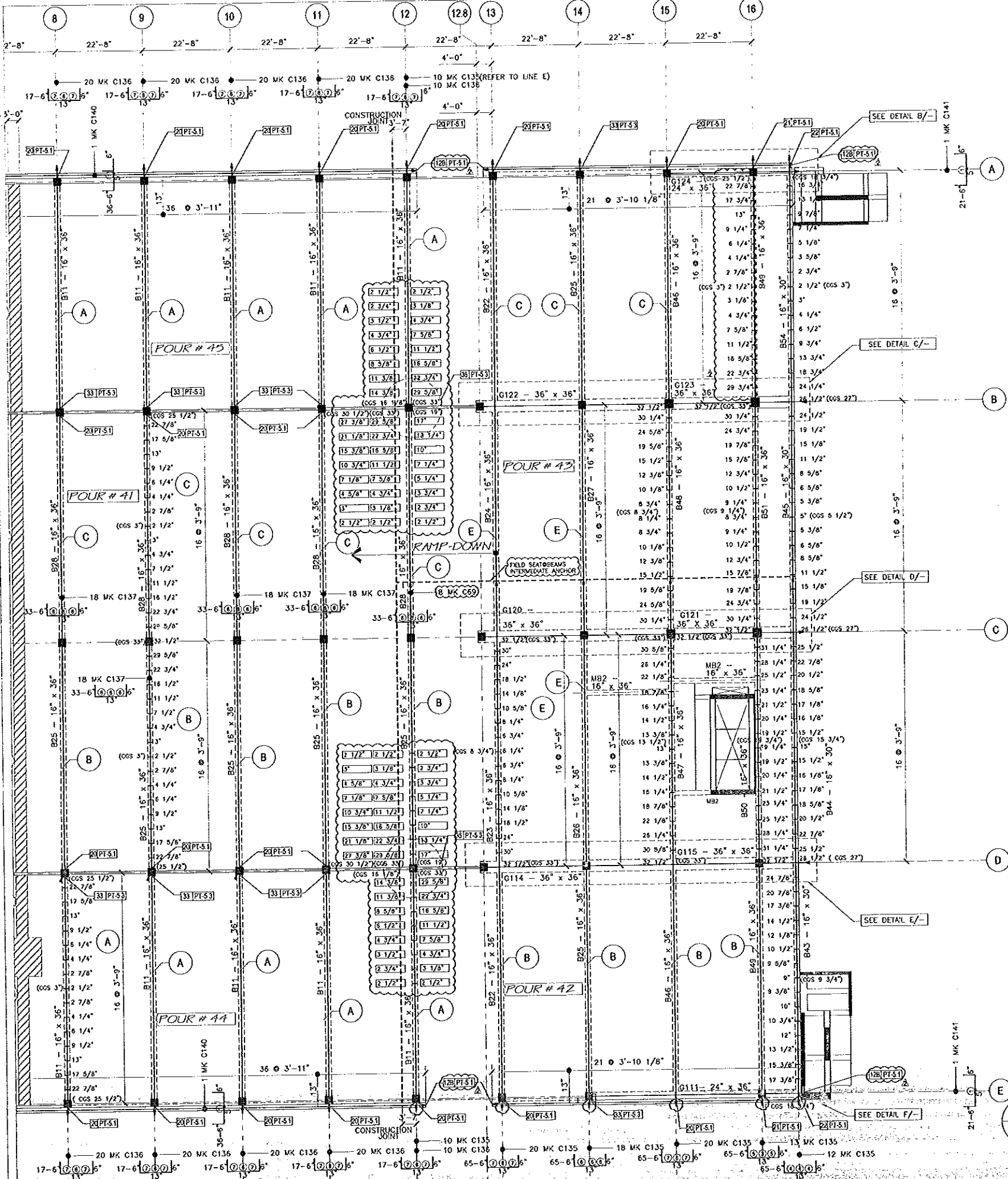
LEVEL 6 BEAM TENDON LAYOUT & SUPPORT PLAN-SECTOR A
SCALE 3/32"=1'-0"

PROJECT: UK Patient Care Facility New Garage
 LOCATION: Lexington, Kentucky
 CONTRACTOR: Whitteberg Construction
 ENGINEER: THP Limited
 ARCHITECT: GREN Architects

AMSYSCO, INC.
 740 SAGUOET CLUB DRIVE
 ADDISON, IL (630)628-6999
 FAX (630)628-6399

ISSUED	NO.	DATE	BY	REVISION
ISSUED	1	08.11.06	WAK	FOR FIELD USE
ISSUED	2	09.26.06	WAK	FOR FIELD USE
ISSUED	3	02.08.07	WAK	FOR FIELD USE
ISSUED	4	04.25.07	TK	FOR FIELD USE

PT-4E



NOTE:
FOR TENDON SUMMARY SEE PT-4A

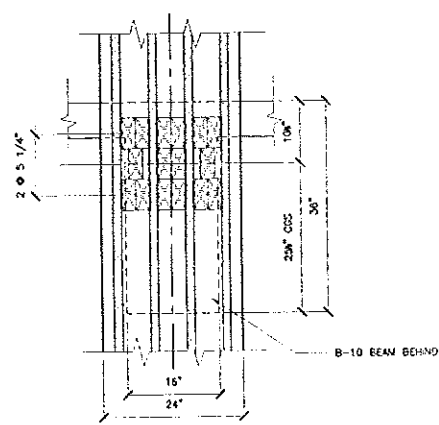
LEVEL 6 BEAM TENDON LAYOUT & SUPPORT PLAN-SECTOR B
SCALE 3/32"=1'-0"

PROJECT: UK Patient Care Facility New Garage
 Lexington, Kentucky
 CONTRACTOR: Whiteberg Construction
 ENGINEER: THP Limited
 ARCHITECT: GREN Architects
 Level 6 Beam Tendon & Support Plan-Sector B

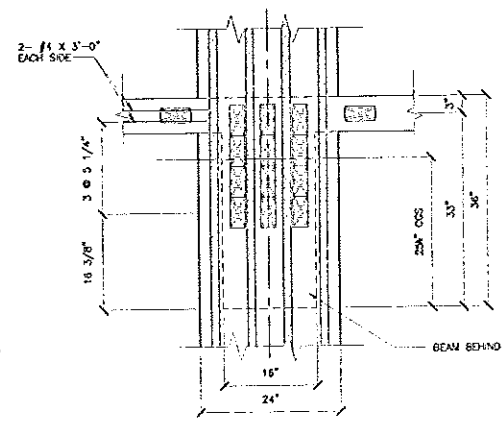
ISSUED NO.	DATE	BY	REVISION	NO.	REVISION	NO.	ISSUED DATE	BY
1	06.11.06	WAR	FOR APPROVAL	1	09.24.06	WAR		
			FOR FIELD USE		02.09.07	WAR		
			FOR FIELD USE		04.23.07	TK		

AMSYSCO, INC.
 740 RACQUET CLUB DRIVE
 ADDISON, IL (630)628-6969
 FAX (630)628-6309

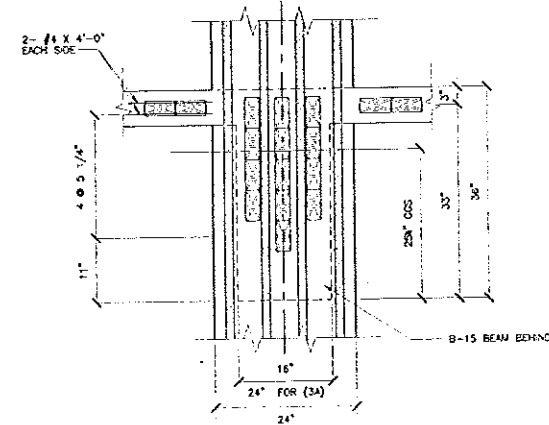
DRAWN BY: WE
 CHECKED BY: ED
 DATE:



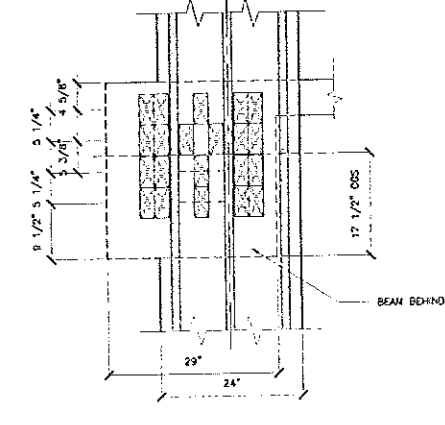
1
PT-5 6-#4 x 21" HOR
9-#4 x 24" VER
16 ANCHORS/ DEAD ENDS



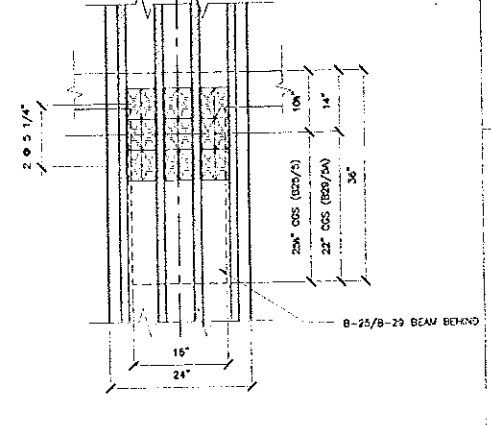
2
PT-5 6-#4 x 21" HOR
6-#4 x 30" VER
14 ANCHORS/ STRESS ENDS / DEAD ENDS



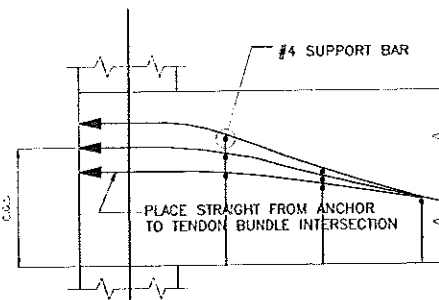
3 (3A)
PT-5 6-#4 x 21" HOR
6-#4 x 30" VER
17 ANCHORS/ STRESS ENDS



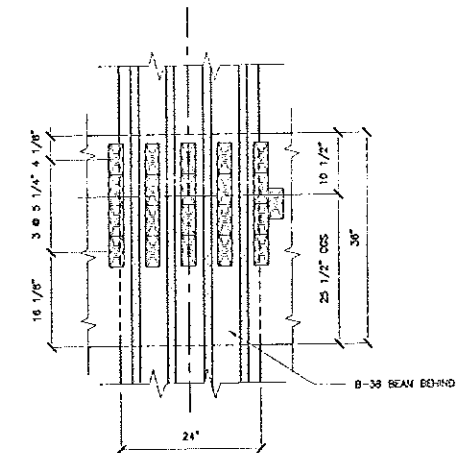
4
PT-5 5-#4 x 26" HOR
8-#4 x 24" VER
21 ANCHORS



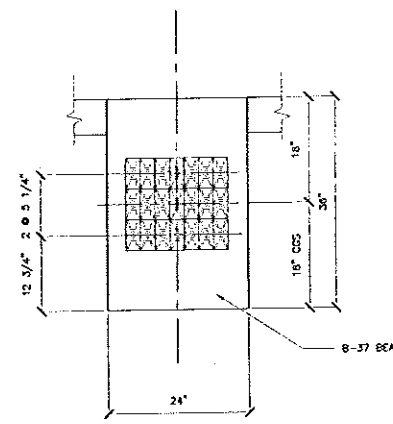
5 (A)
PT-5 6-#4 x 21" HOR
6-#4 x 24" VER
18 ANCHORS



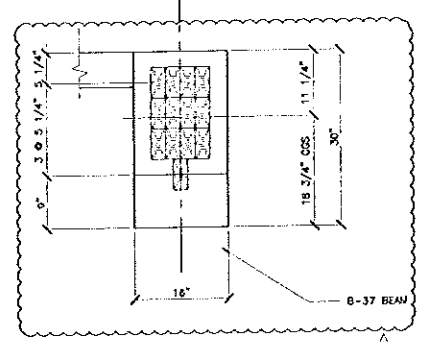
TYPICAL BEAM TENDON TRANSITION
NOTE:
INDIVIDUAL TENDONS MUST MAKE A SMOOTH TRANSITION FROM ANCHOR PATTERN TO TENDON BUNDLE. USE ADD'L. SUPPORTS, IF REQUIRED, TO MAINTAIN TENDON CONTINUITY.



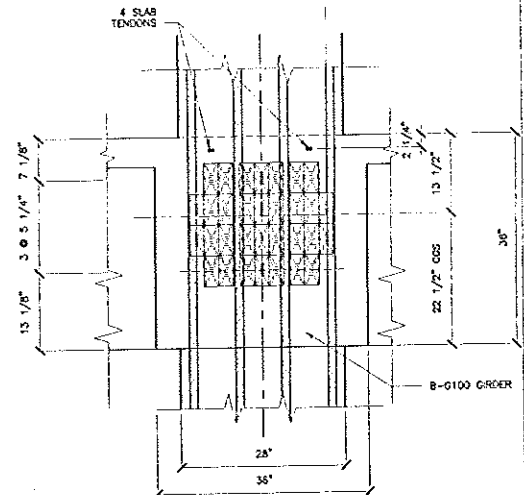
6
PT-5 6-#4 x 21" HOR
6-#4 x 24" VER
21 ANCHORS



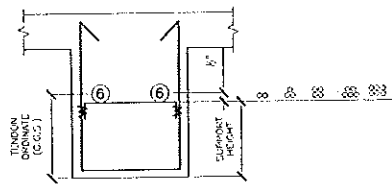
7
PT-5 6-#4 x 21" HOR
8-#4 x 24" VER
21 ANCHORS



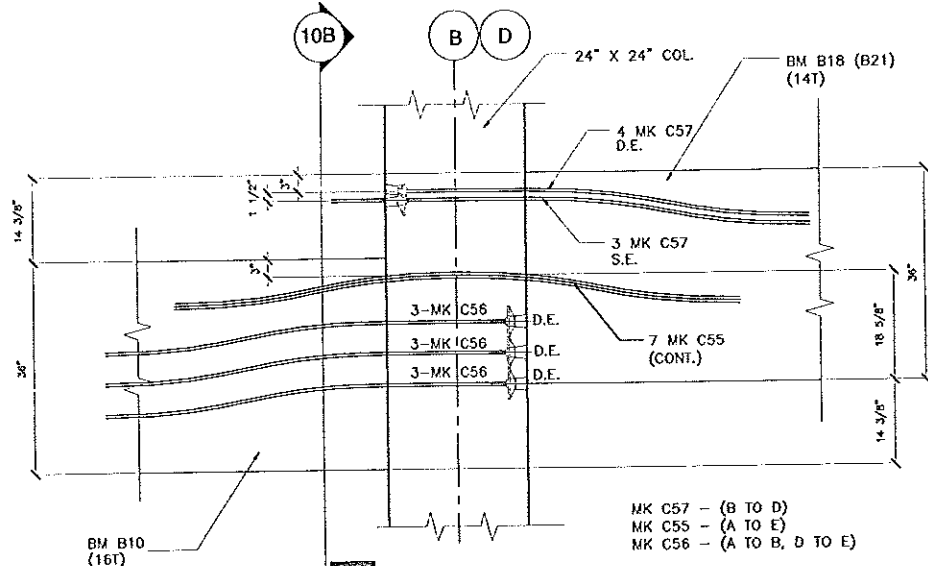
8
PT-5 8-#4 x 13" HOR
5-#4 x 27" VER
13 ANCHORS



9
PT-5 5-#4 x 33" HOR
12-#4 x 30" VER
32 ANCHORS/DEAD ENDS
4 SLAB TENDONS (CONT)

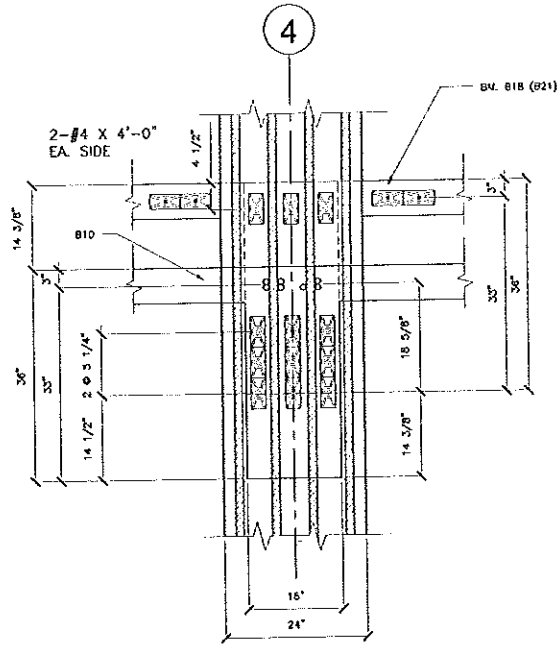


TYPICAL BEAM SUPPORT
NOTE:
COORDINATE BEAM TENDON SUPPORT SPACING WITH BEAM STIRRUP SPACING OR PROVIDE ADDITIONAL BEAM STIRRUPS AS REQUIRED.

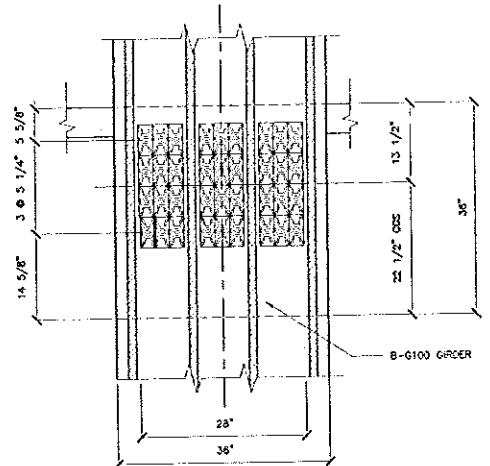


10A
PT-5 (9-ANCHORS)
BM B10 (7-CONT)
BM B14 (7-ANCHORS)
(7-CONT)

10
PT-5 OFFSET BEAM AT LINE 4

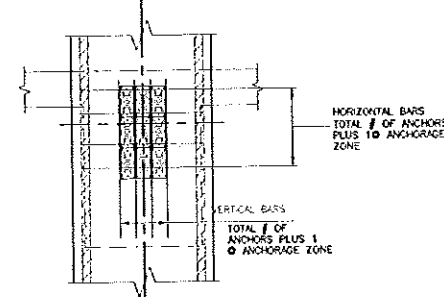


6-#4 x 21" HOR
4-#4 x 21" VER



9A
PT-5 5-#4 x 33" HOR
12-#4 x 30" VER
36 ANCHORS/STRESS ENDS

BACK-UP-BARS TYP. DETAIL



AMSYSCO, INC.
740 RACQUET CLUB DRIVE
ADDISON, IL (630)626-6969
FAX (630)626-6309

JOB NO.:
DRAWN BY: WE
CHECKED BY: ED
DATE:

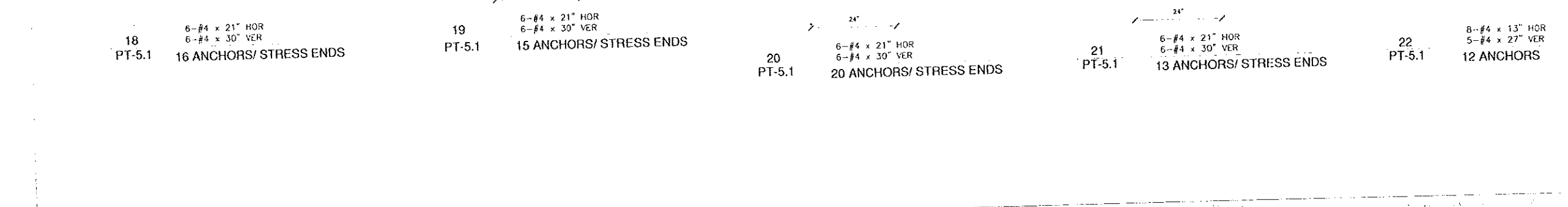
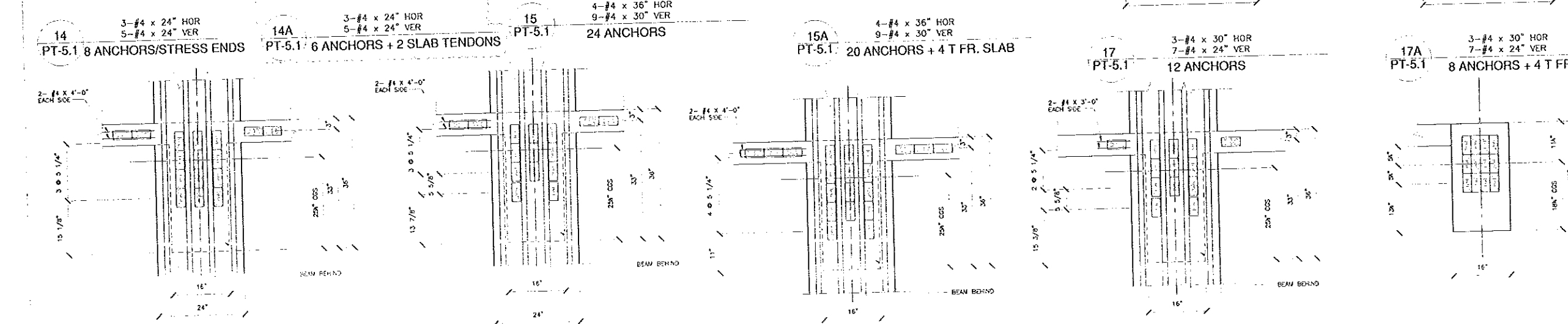
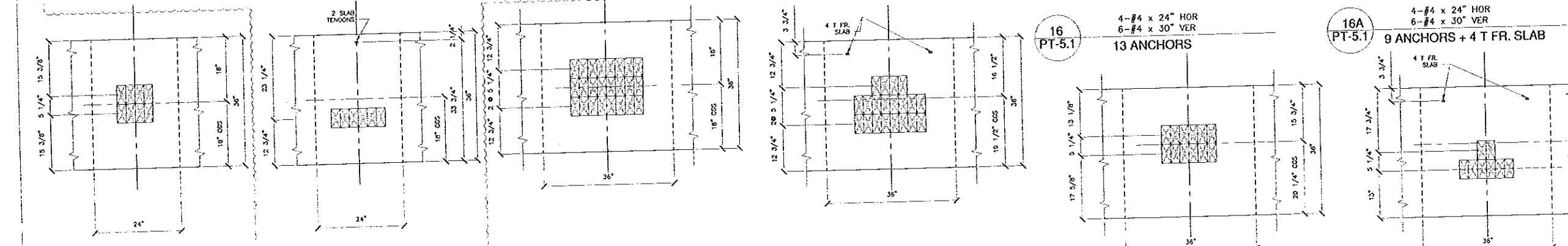
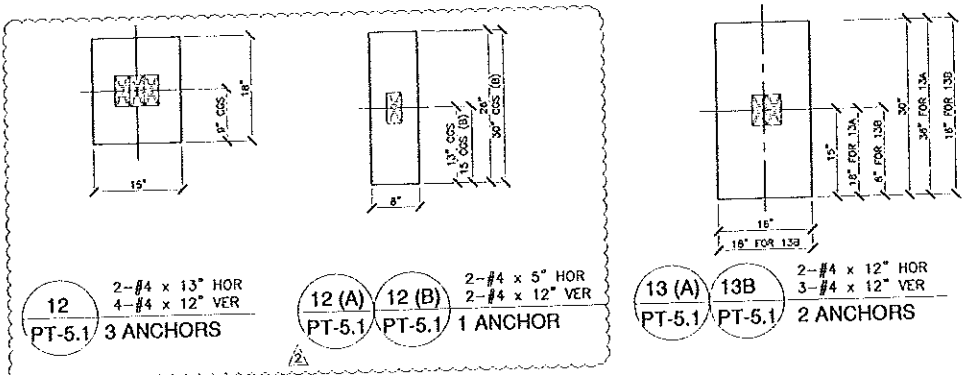
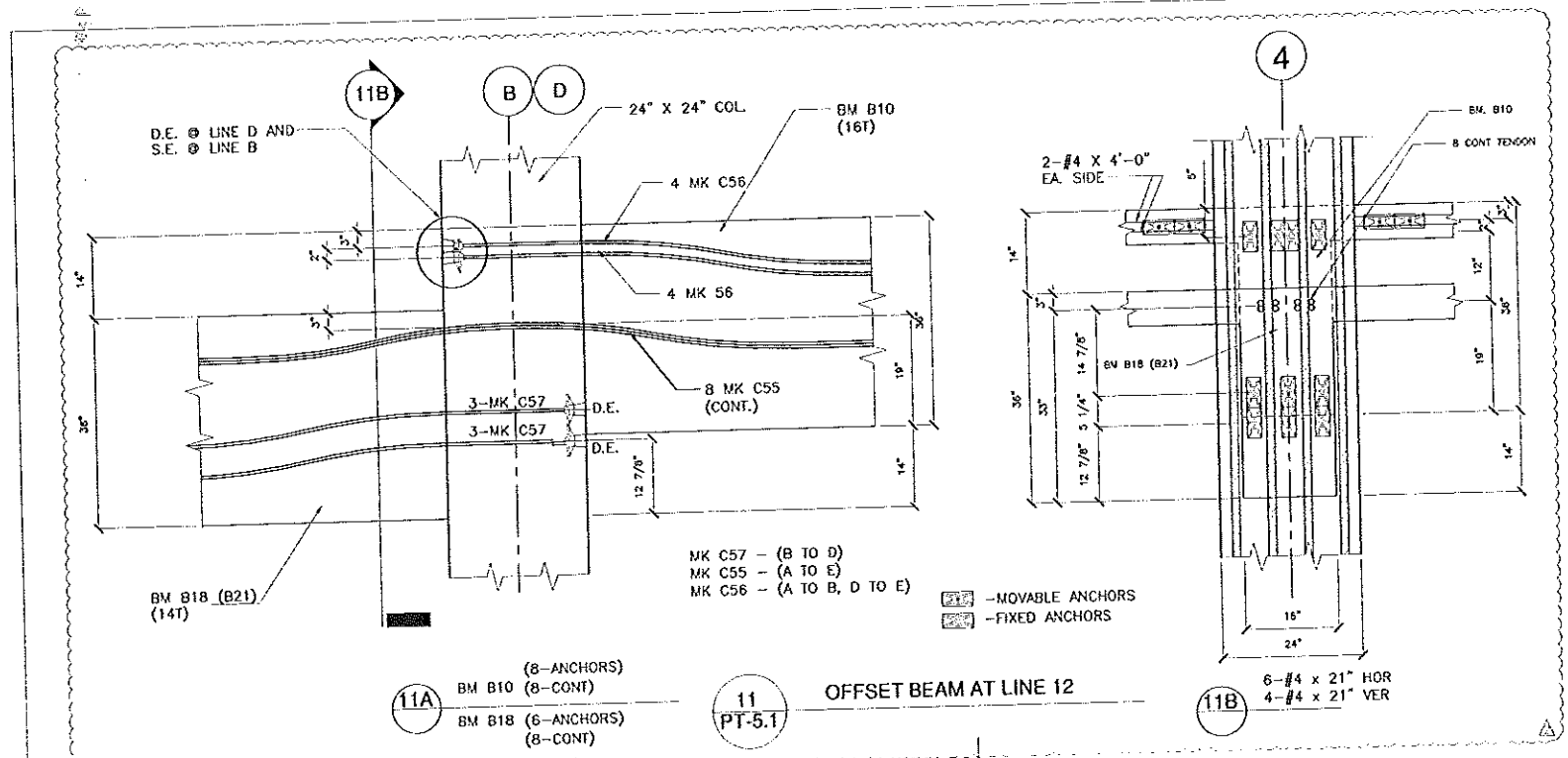
ISSUED DATE: 09/24/06
NO. 1
REVISION FOR APPROVAL FOR FIELD USE

PROJECT: UK Patient Care Facility New Garage
Lexington, Kentucky
CONTRACTOR: Whittierberg Construction
ENGINEER: THP Limited
ARCHITECT: GBEN Architects

ISSUED DATE: 09/24/06
NO. 1
REVISION FOR APPROVAL FOR FIELD USE

DATE: 09/24/06
BY: WE
CHECKED BY: ED

PT-5
BEAM END DETAILS



AMSYSCO, INC.
 740 RACQUET CLUB DRIVE
 ADDISON, IL (800)628-6969
 FAX (800)628-6399

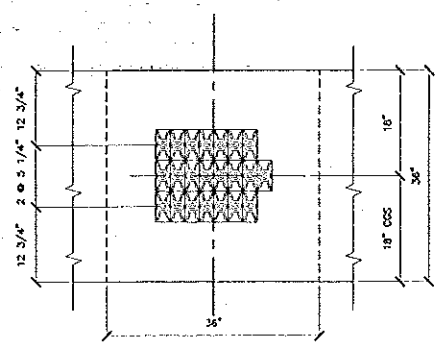
POST-TENSIONING INSTITUTE
 CERTIFIED PRACTICE

PROJECT: UK Patient Care Facility New Garage
 Lexington, Kentucky
 CONTRACTOR: Whitteberg Construction
 ENGINEER: THP Limited
 ARCHITECT: GBEN Architects

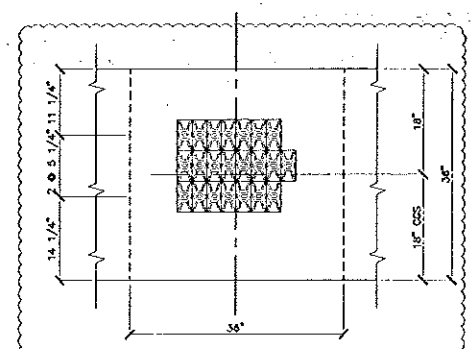
BEAM END DETAILS

NO.	REVISION	ISSUED DATE	BY	NO.	REVISION	ISSUED DATE	BY
1	FOR APPROVAL	09/24/08	MAN				
2	FOR FIELD USE		WAR				

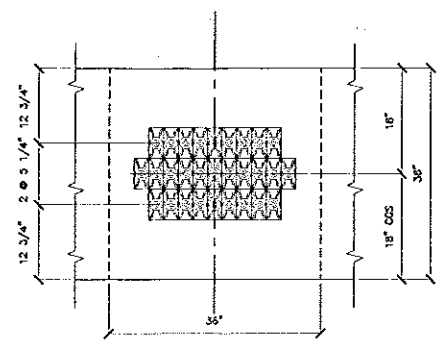
JOB NO. _____
 DRAWN BY: WE
 CHECKED BY: ED
 DATE _____



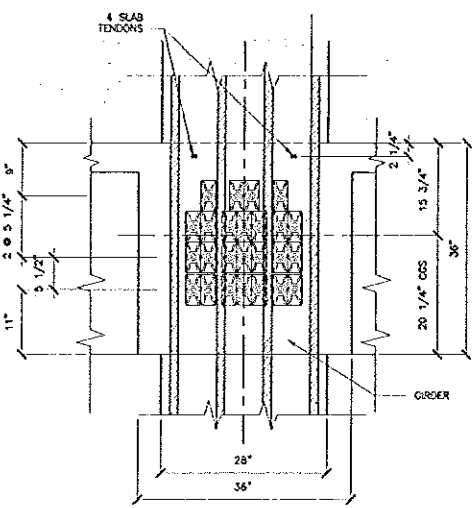
23
PT-5.2 3-#4 x 30" HOR
7-#4 x 24" VER
22 ANCHORS/STRESS ENDS /DEAD ENDS



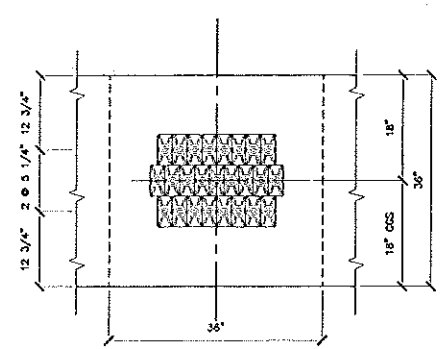
23A
PT-5.2 3-#4 x 30" HOR
7-#4 x 24" VER
22 ANCHORS/STRESS ENDS /DEAD ENDS



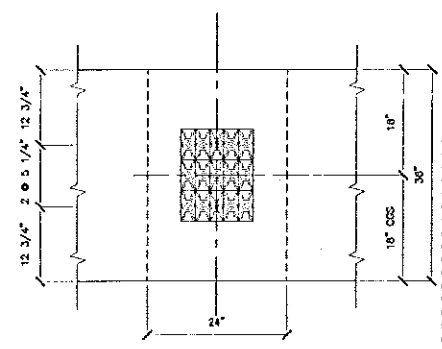
24
PT-5.2 3-#4 x 30" HOR
7-#4 x 24" VER
29 ANCHORS/STRESS ENDS



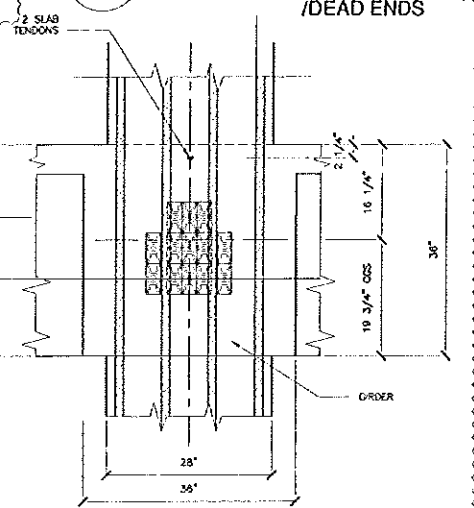
24A
PT-5.2 5-#4 x 33" HOR
12-#4 x 30" VER
25 ANCHORS/DEAD ENDS
4 SLAB TENDONS (CONT)



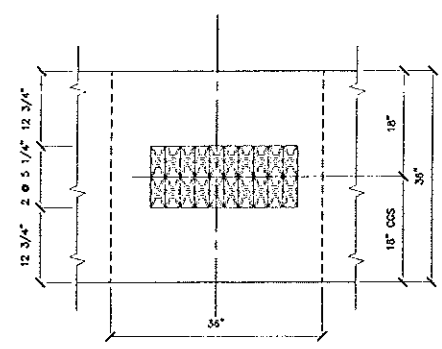
27
PT-5.2 4-#4 x 30" HOR
10-#4 x 24" VER
25 ANCHORS/STRESS ENDS



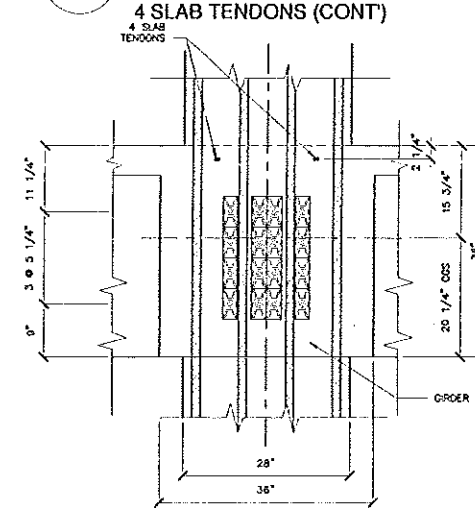
25
PT-5.2 3-#4 x 30" HOR
7-#4 x 24" VER
15 ANCHORS/STRESS ENDS



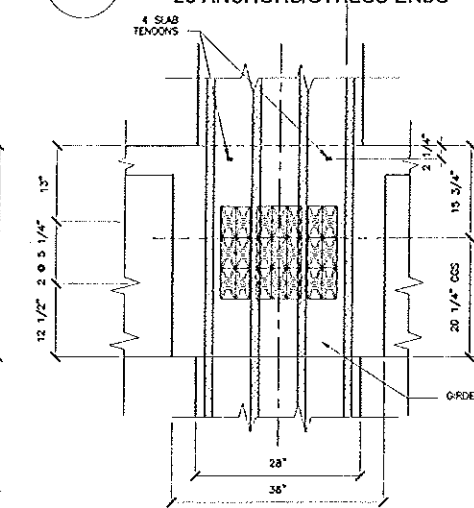
25A
PT-5.2 5-#4 x 33" HOR
12-#4 x 30" VER
13 ANCHORS/DEAD ENDS
2 SLAB TENDONS (CONT)



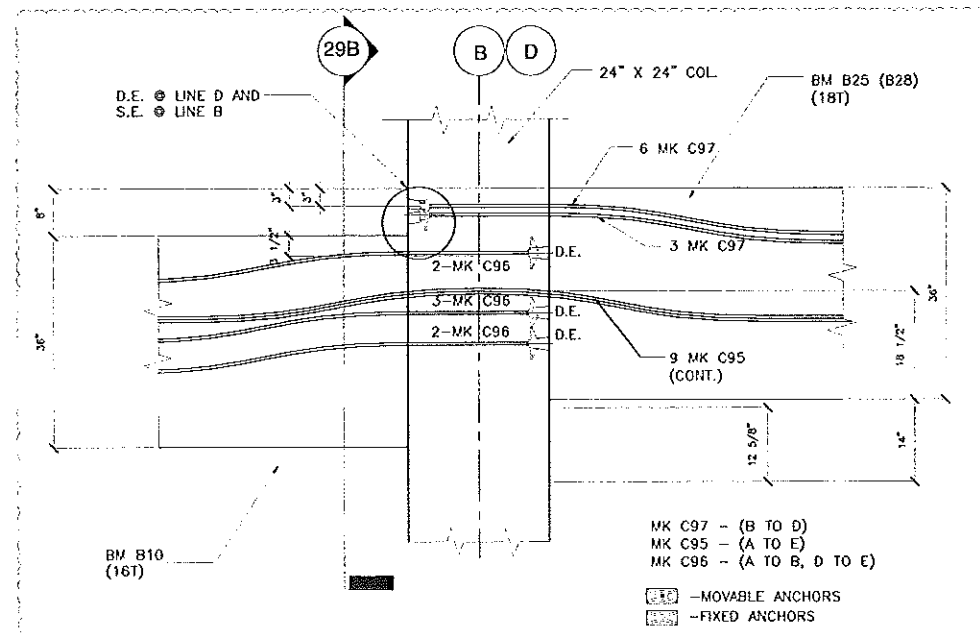
26
PT-5.2 3-#4 x 30" HOR
11-#4 x 24" VER
20 ANCHORS/STRESS ENDS



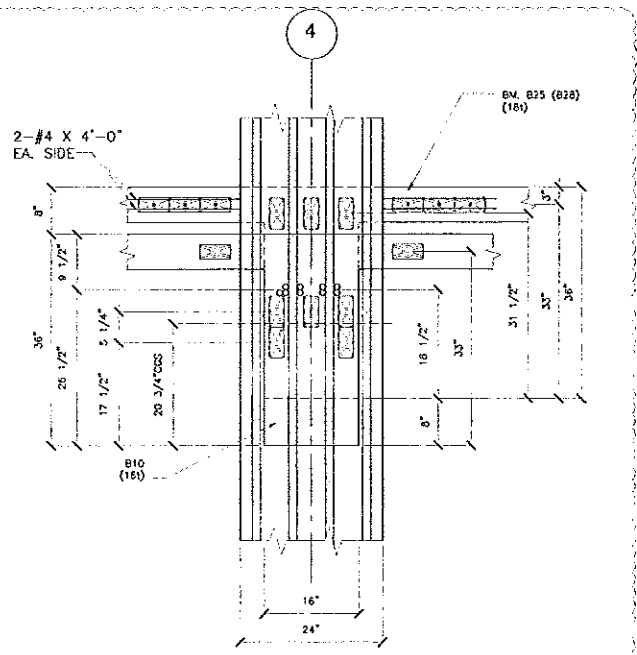
26A
PT-5.2 5-#4 x 33" HOR
7-#4 x 30" VER
16 ANCHORS/DEAD ENDS
4 SLAB TENDONS (CONT)



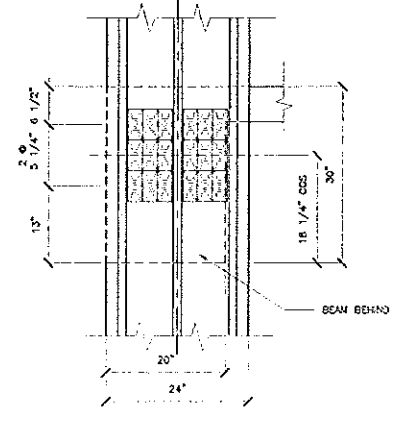
27A
PT-5.2 4-#4 x 33" HOR
8-#4 x 30" VER
21 ANCHORS/DEAD ENDS
4 SLAB TENDONS (CONT)



29A (7-ANCHORS)
BM B10 (9-CONT)
BM B25(B28)(9-ANCHORS)
(9-CONT)
29 OFFSET BEAM AT LINE 4 (LVL-5)

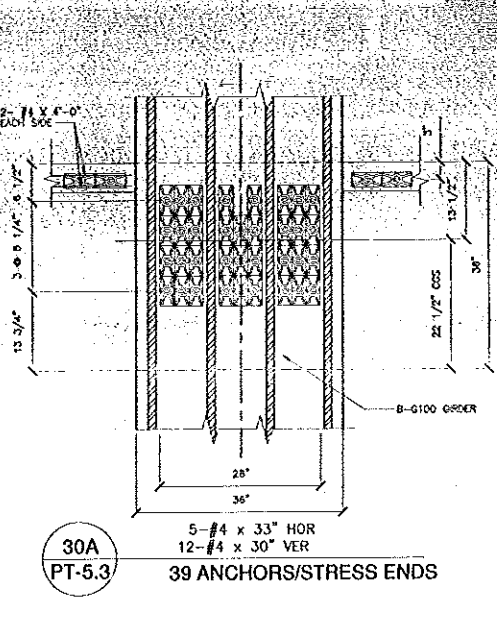
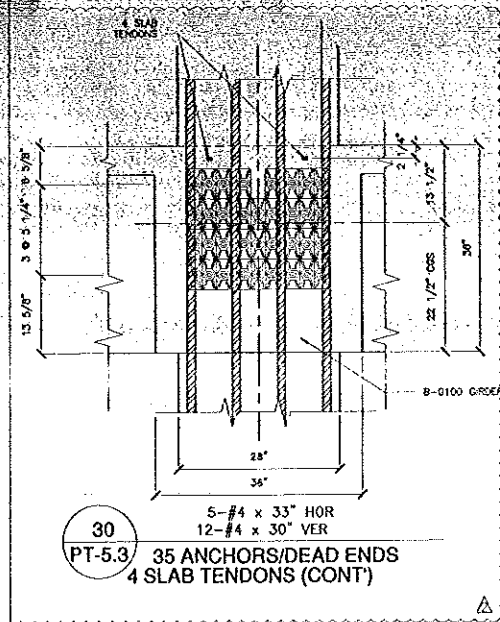


29B 6-#4 x 21" HOR
4-#4 x 21" VER



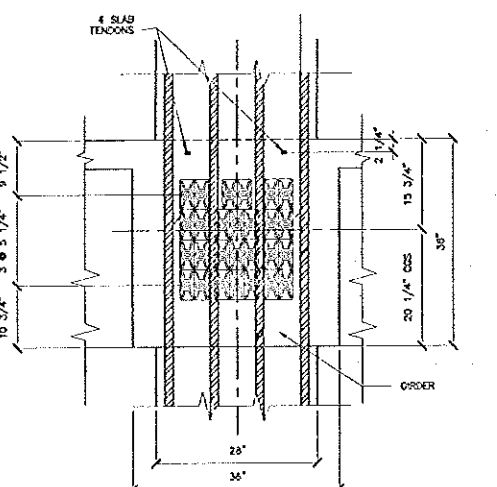
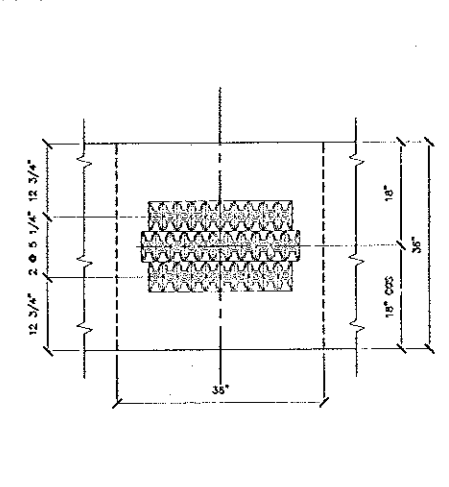
28
PT-5.2 4-#4 x 17" HOR
8-#4 x 24" VER
18 ANCHORS/STRESS ENDS

PROJECT: UK Patient Care Facility New Garage Lexington, Kentucky		ISSUED DATE: 06.03.06		ISSUED DATE: 06.03.06	
CONTRACTOR: Whittierberg Construction		BY: W/A/R		BY: W/A/R	
ENGINEER: THP Limited		FOR APPROVAL		FOR APPROVAL	
ARCHITECT: GBEN Architects		FOR FIELD USE		FOR FIELD USE	
Beam End Details		FOR FIELD USE		FOR FIELD USE	
JOB NO:		NO.:		NO.:	
DRAWN BY: WE		REVISION:		REVISION:	
CHECKED BY: ED		DATE:		DATE:	
DATE:		DATE:		DATE:	
AMSYSCO, INC.		AMSYSCO, INC.		AMSYSCO, INC.	
740 RACQUET CLUB DRIVE		740 RACQUET CLUB DRIVE		740 RACQUET CLUB DRIVE	
ADDITION, IL (630)628-6989		ADDITION, IL (630)628-6989		ADDITION, IL (630)628-6989	
FAX (630)628-6999		FAX (630)628-6999		FAX (630)628-6999	



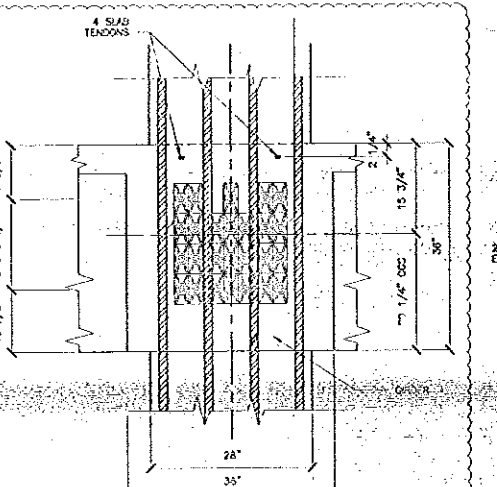
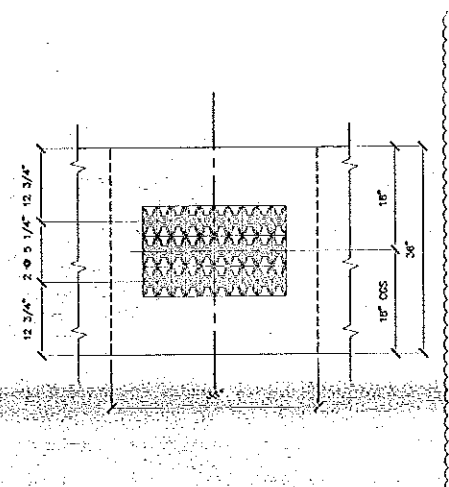
30
PT-5.3
35 ANCHORS/DEAD ENDS
4 SLAB TENDONS (CONT)

30A
PT-5.3
39 ANCHORS/STRESS ENDS



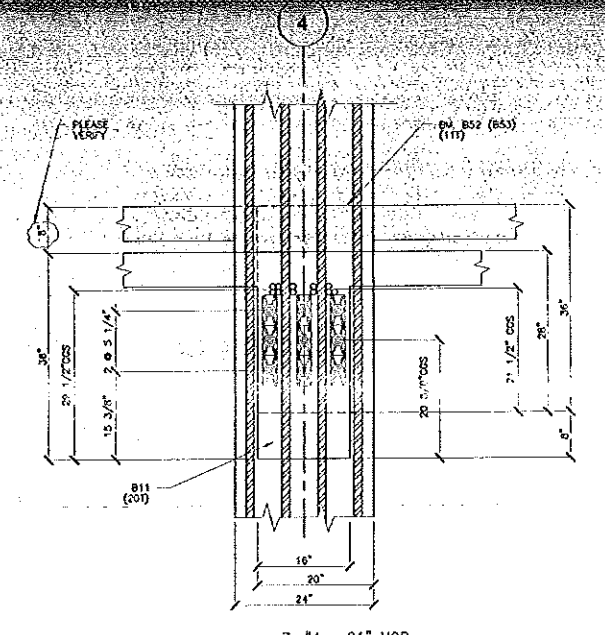
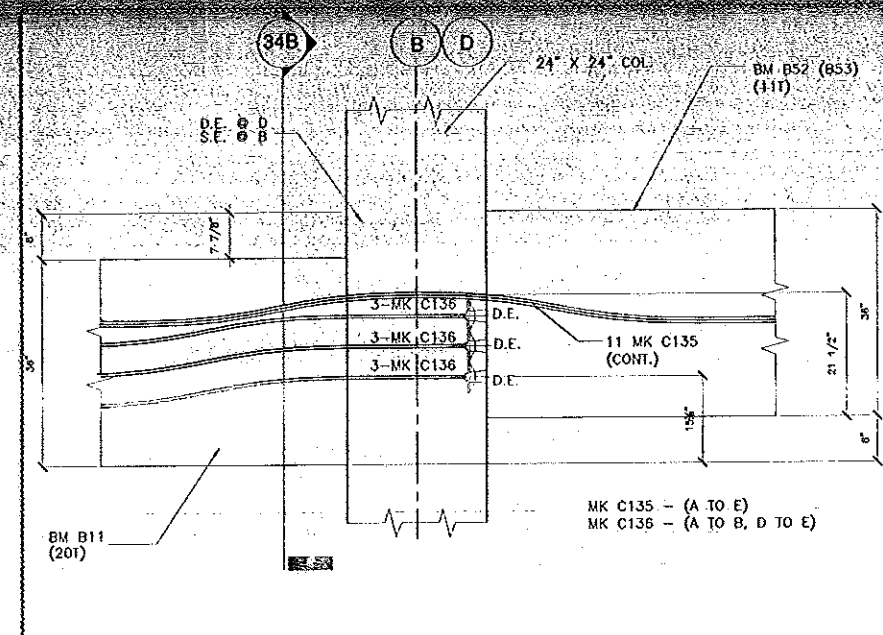
31
PT-5.3
31 ANCHORS/STRESS ENDS

31A
PT-5.3
27 ANCHORS/DEAD ENDS
4 SLAB TENDONS (CONT)



32
PT-5.3
30 ANCHORS/STRESS ENDS

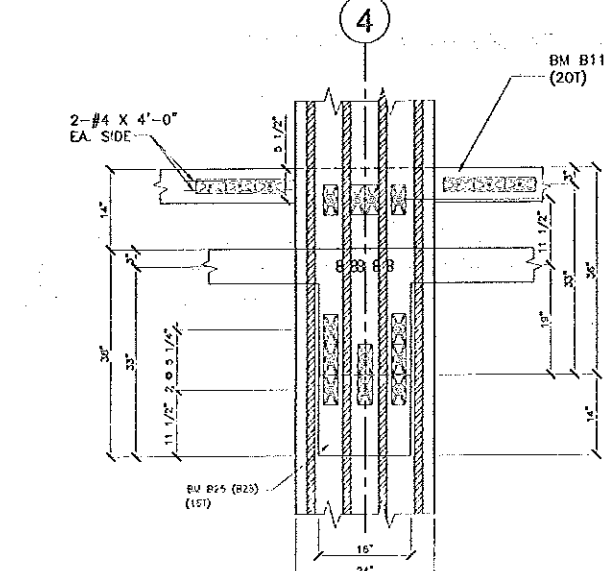
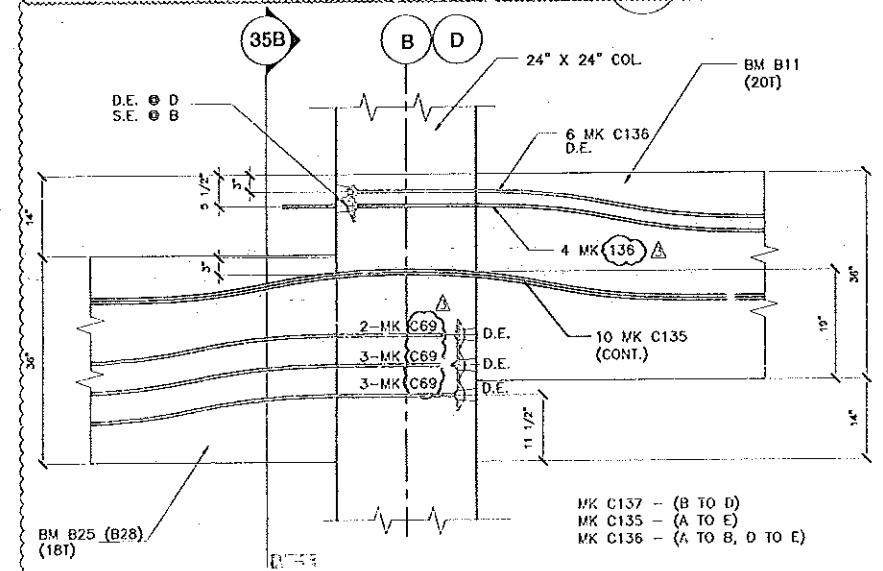
32A
PT-5.3
26 ANCHORS/DEAD ENDS
4 SLAB TENDONS (CONT)



34A
PT-5.3
9-ANCHORS
BM B11 (11-CONT)
BM B52(B53)(11-CONT)

34
PT-5.3
OFFSET BEAM AT LINE 4 (LVL-6)

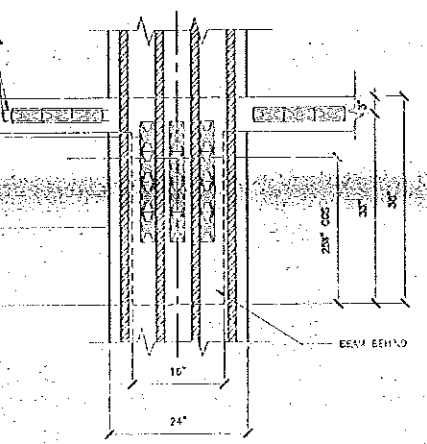
34B
PT-5.3
7-#4 x 21\"/>



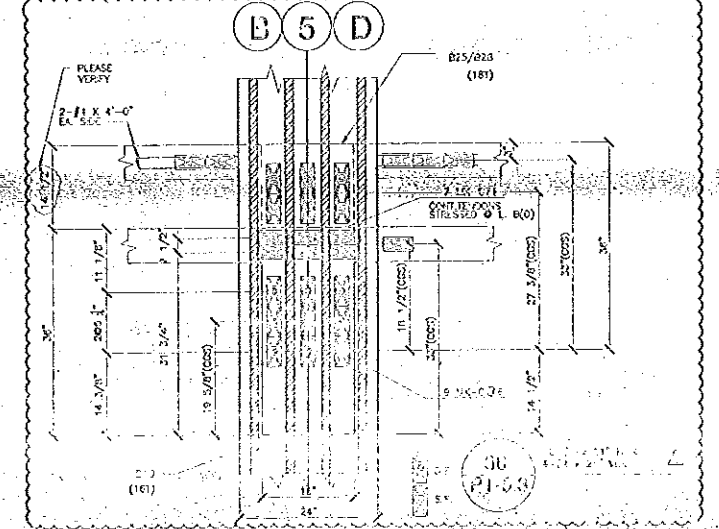
35A
PT-5.3
10-ANCHORS
BM B11 (10-CONT)
BM B25(B28)(8-ANCHORS)
(10-CONT)

35
PT-5.3
OFFSET BEAM AT LINE 12 (LVL. 6)

35B
PT-5.3
6-#4 x 21\"/>

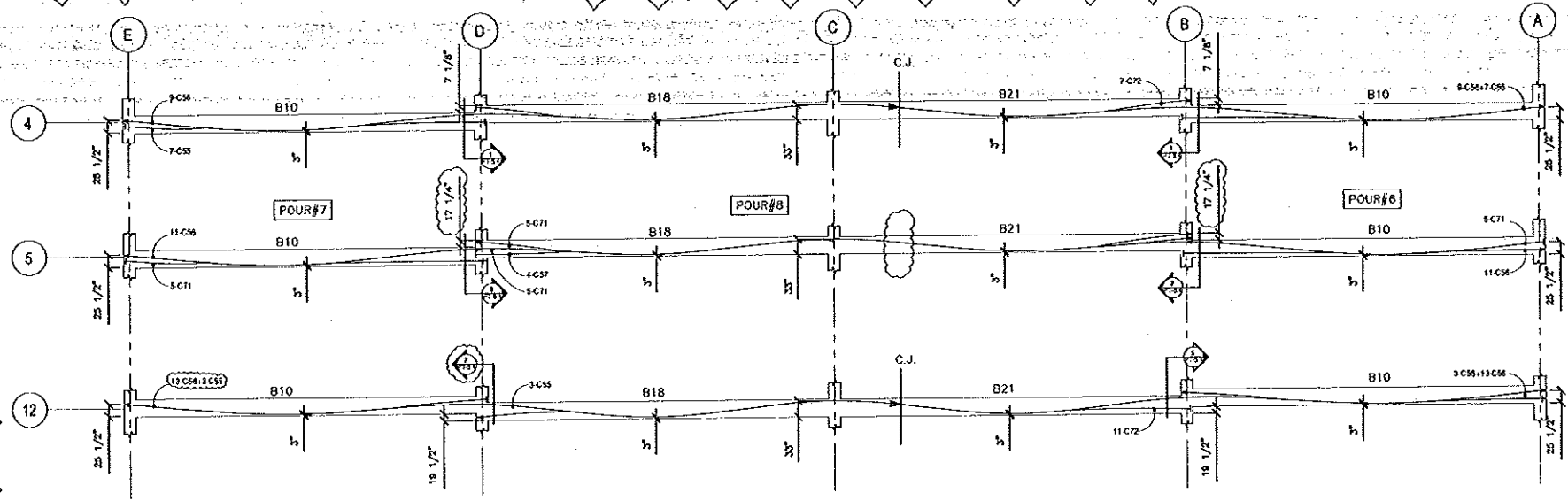


33
PT-5.3
18 ANCHORS/STRESS ENDS

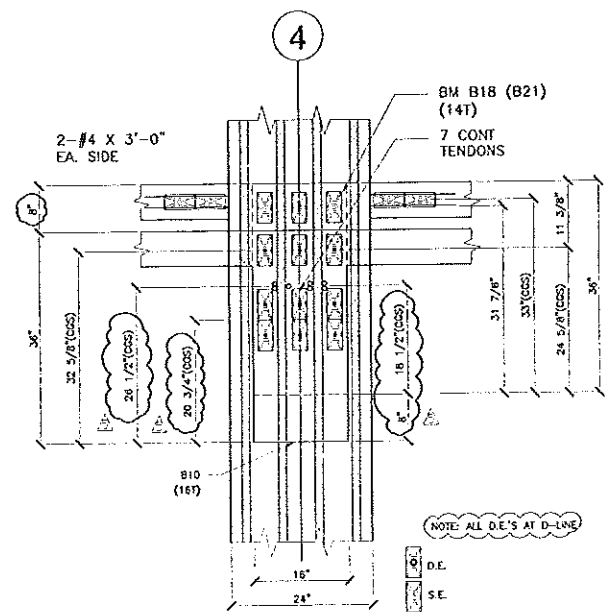


36
PT-5.3
OFFSET BEAM AT LINE 5 (LVL. 6)

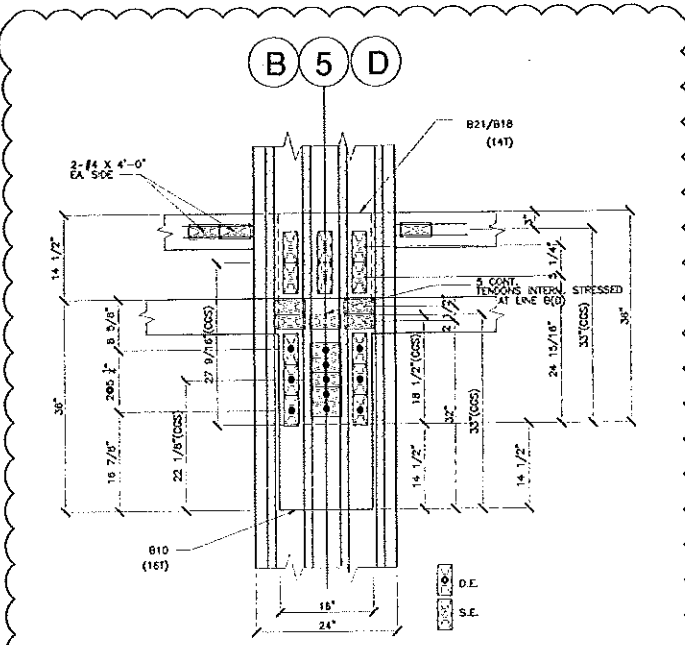
JOB NO.		DRAWN BY		CHECKED BY		DATE	
AMSYSCO, INC.		740 RACQUET CLUB DRIVE		ADDISON, TX (817) 464-6669		7/14 (800) 464-6669	
<p>ISSUED FOR APPROVAL</p> <p>NO. 1 DATE 06/03/06 WAS FOR FIELD USE</p> <p>REVISION 1 FOR APPROVAL DATE 09/24/06 WAS FOR FIELD USE</p> <p>2 FOR FIELD USE DATE 04/23/07 TK</p> <p>3 FOR FIELD USE DATE 05/30/07 TK</p>							
<p>PROJECT: UK Patient Care Facility New Garage</p> <p>CONTRACTOR: M&E Engineering Construction</p> <p>LOCATION: 3001 Green Avenue, Suite 300, Dallas, TX 75201</p>							



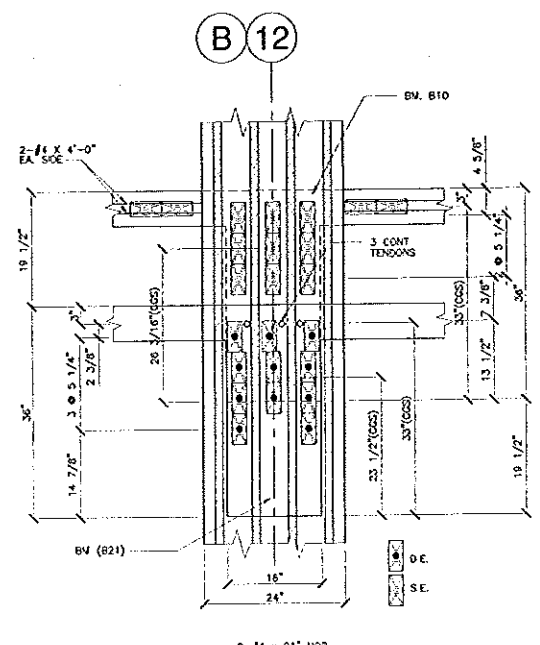
NOTE:
 B10 = 16 TENDONS, CCS 25.5' x 3' x 25.5'
 B18 = 14 TENDONS, CCS 25.5' x 3' x 25.5'
 B21 = 14 TENDONS, CCS 25.5' x 3' x 25.5'



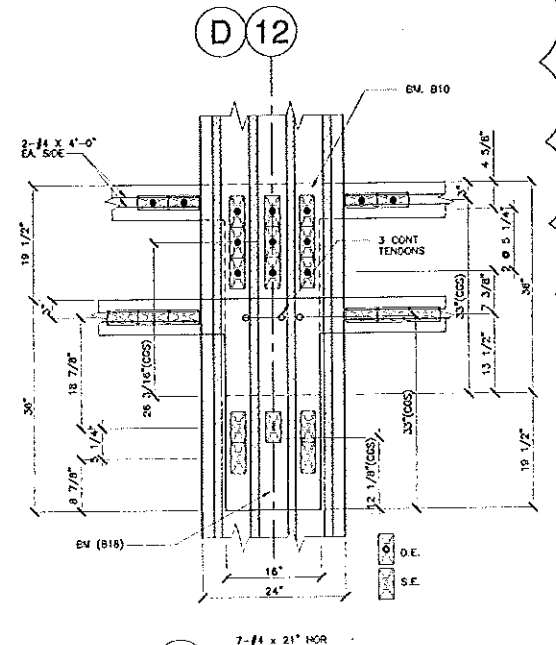
1 2-#4 x 21\"/>



3 5-#4 x 21\"/>



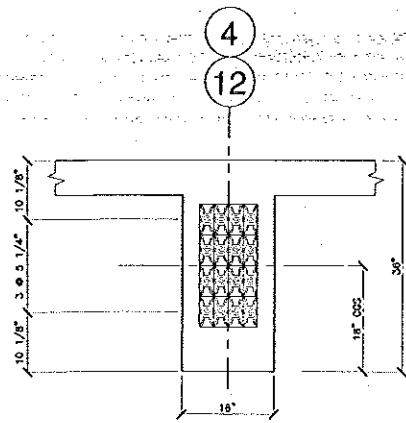
5 9-#4 x 21\"/>



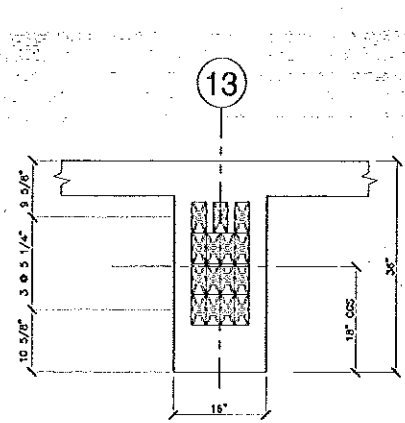
7 7-#4 x 21\"/>

BEAM END DETAIL AT B/4 LEVEL 3 & 4

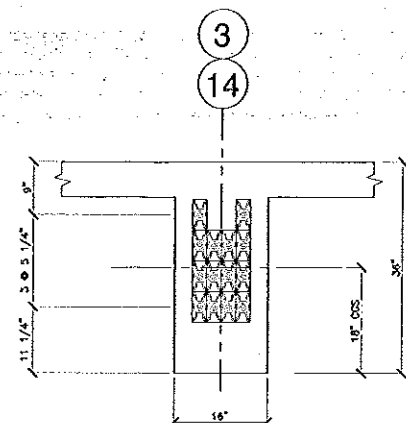
PROJECT: UK Patient Care Facility New Garage Lexington, Kentucky		CONTRACTOR: Whittierberg Construction THP Limited		ENGINEER: GBBN Architects		ARCHITECT: GBBN Architects	
ISSUED DATE BY: 05.09.07 TK		NO. 1		REVISION NO. 1		ISSUED DATE BY: 05.09.07 TK	
JOB NO.:		DRAWN BY: WE		CHECKED BY: ED		DATE:	
AMYSYSO, INC.		740 RACQUET CLUB DRIVE		ADDISON, IL (630) 622-6969		FAX (630) 622-6999	



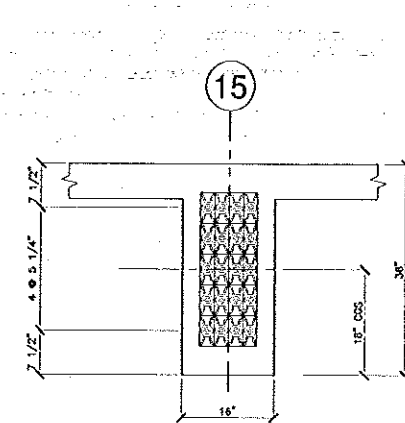
4
12
5-#4 x 13" HOR
5-#4 x 30" VER
16 INTERMEDIATE STRESS ENDS



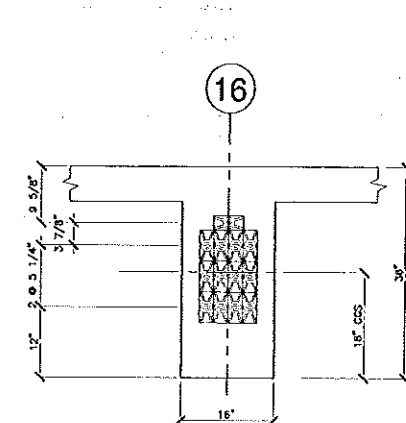
13
14
5-#4 x 13" HOR
5-#4 x 30" VER
15 INTERMEDIATE STRESS ENDS



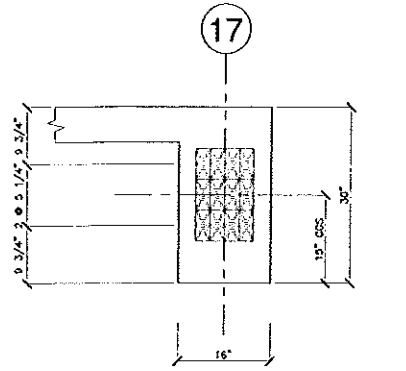
3
14
5-#4 x 13" HOR
5-#4 x 30" VER
14 INTERMEDIATE STRESS ENDS



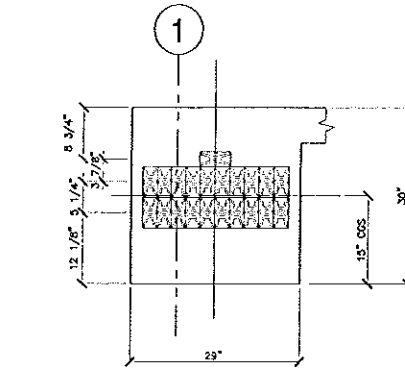
15
16
6-#4 x 13" HOR
5-#4 x 36" VER
20 INTERMEDIATE STRESS ENDS



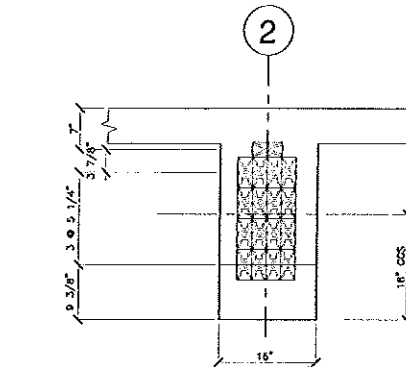
16
17
5-#4 x 13" HOR
5-#4 x 30" VER
13 INTERMEDIATE STRESS ENDS



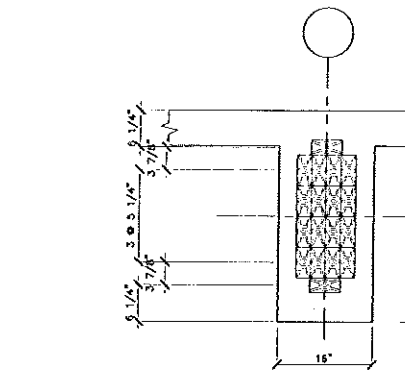
17
18
4-#4 x 13" HOR
5-#4 x 24" VER
12 INTERMEDIATE STRESS ENDS



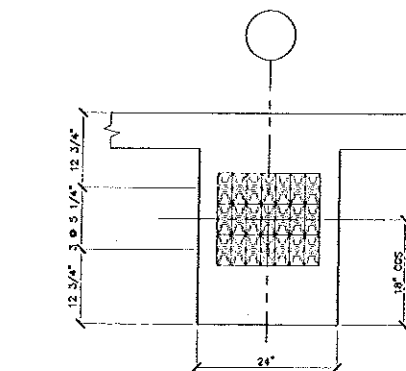
1
19
3-#4 x 26" HOR
11-#4 x 24" VER
21 INTERMEDIATE STRESS ENDS



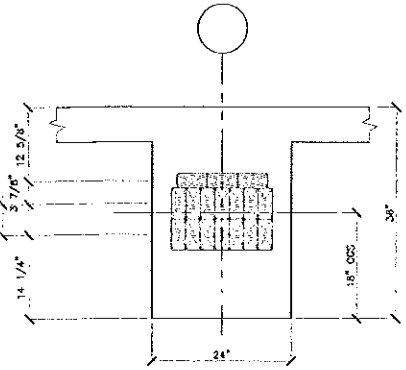
2
20
6-#4 x 13" HOR
5-#4 x 30" VER
17 INTERMEDIATE STRESS ENDS



9
21
7-#4 x 13" HOR
5-#4 x 36" VER
18 INTERMEDIATE STRESS ENDS



10
22
4-#4 x 21" HOR
8-#4 x 30" VER
21 INTERMEDIATE STRESS ENDS



11
23
4-#4 x 21" HOR
8-#4 x 30" VER
17 INTERMEDIATE STRESS ENDS

PROJECT: UK Patient Care Facility New Garage		ISSUED DATE: 12.18.06		ISSUED DATE: 12.18.06	
CONTRACTOR: Whittberg Construction		NO. 1		NO. 1	
ENGINEER: THP Limited		REVISION FOR APPROVAL		REVISION	
ARCHITECT: GBEN Architects		FOR APPROVAL		FOR APPROVAL	
Beam Intermediate Stressing End Details		DATE: 12.18.06		DATE: 12.18.06	
DRAWN BY: WE		DATE:		DATE:	
CHECKED BY: ED		DATE:		DATE:	
FAX: (609) 628-4309		DATE:		DATE:	