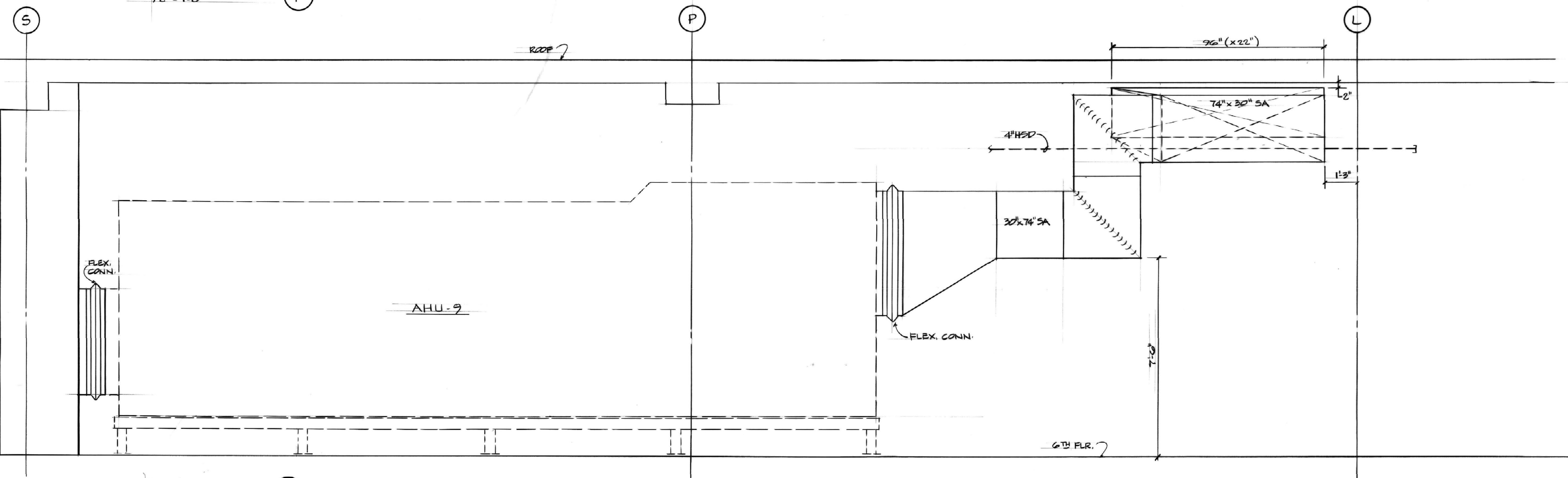
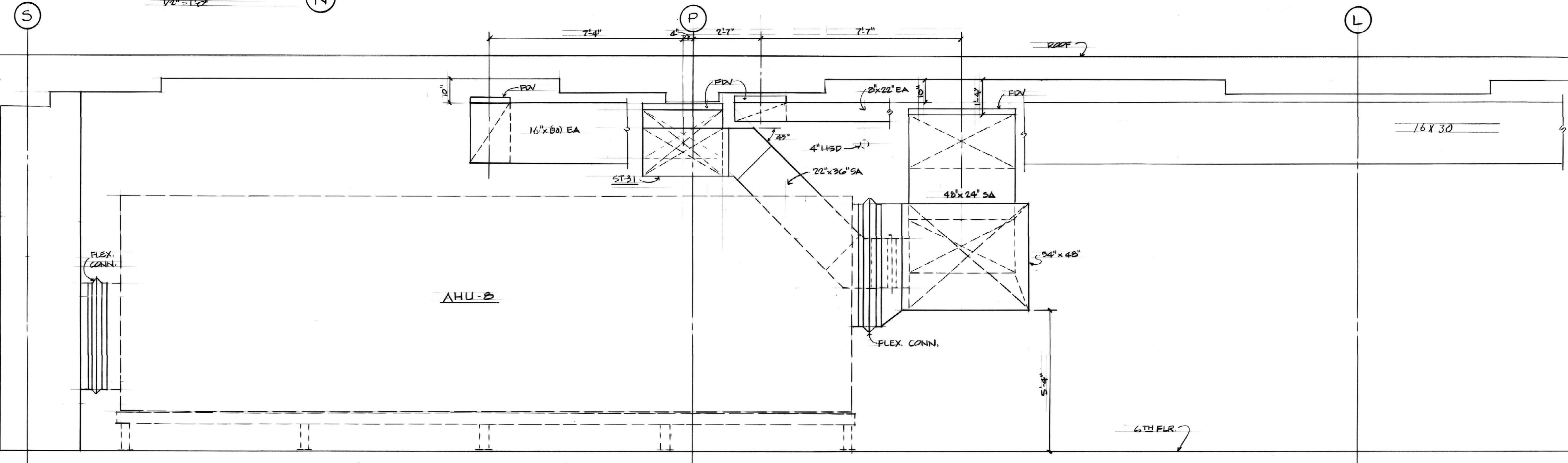
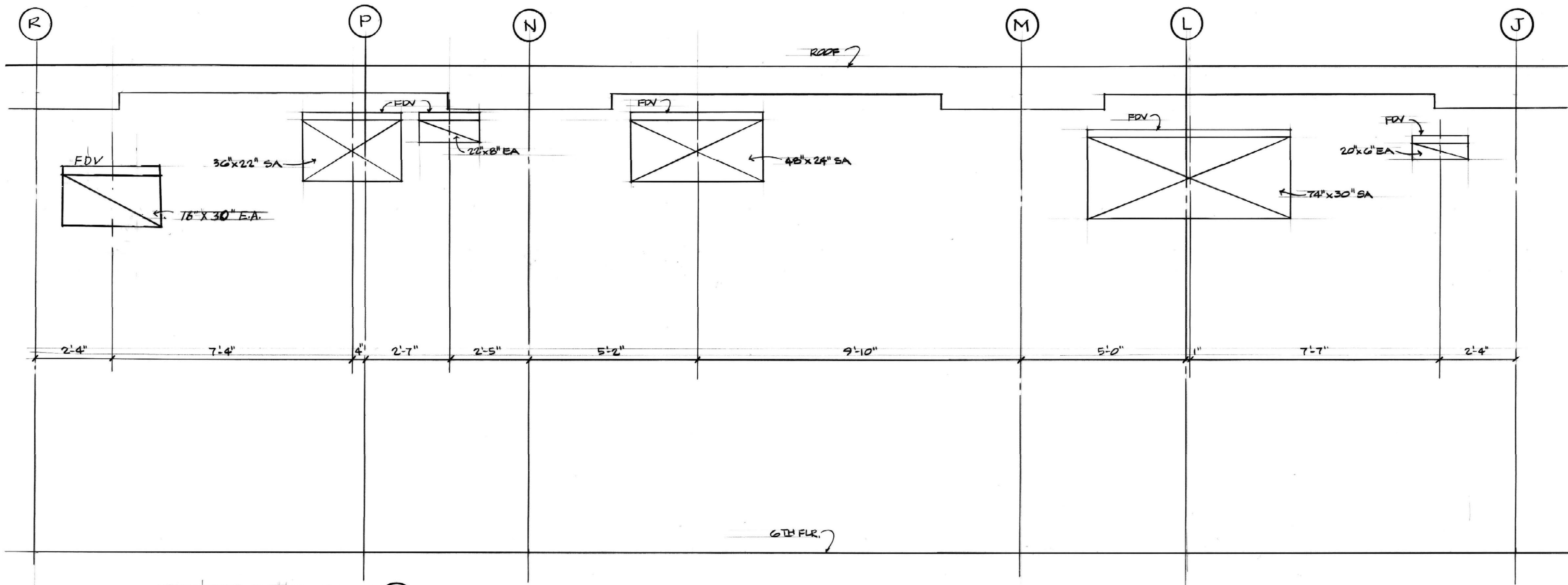


SIGN-OFF BY CONTRACTORS	
SIGNATURE	COMPANY



RECORD DRAWINGS DATE 10-22-03
 These record drawings have been prepared, in part, on the basis of information compiled and furnished by others. The Engineer will not be responsible for any errors or omissions which have been incorporated into this document as a result.
 STAGGS & FISHER CONSULTING ENGINEERS, INC.

DUCT WORK SECTION
 HOSPITAL EXPANSION AND RENOVATION
 A. B. CHANDLER MEDICAL CENTER
 PROJECT NO. 304.1

DRAWING NO.
 D-10
 SIXTH FLOOR
 SECTION