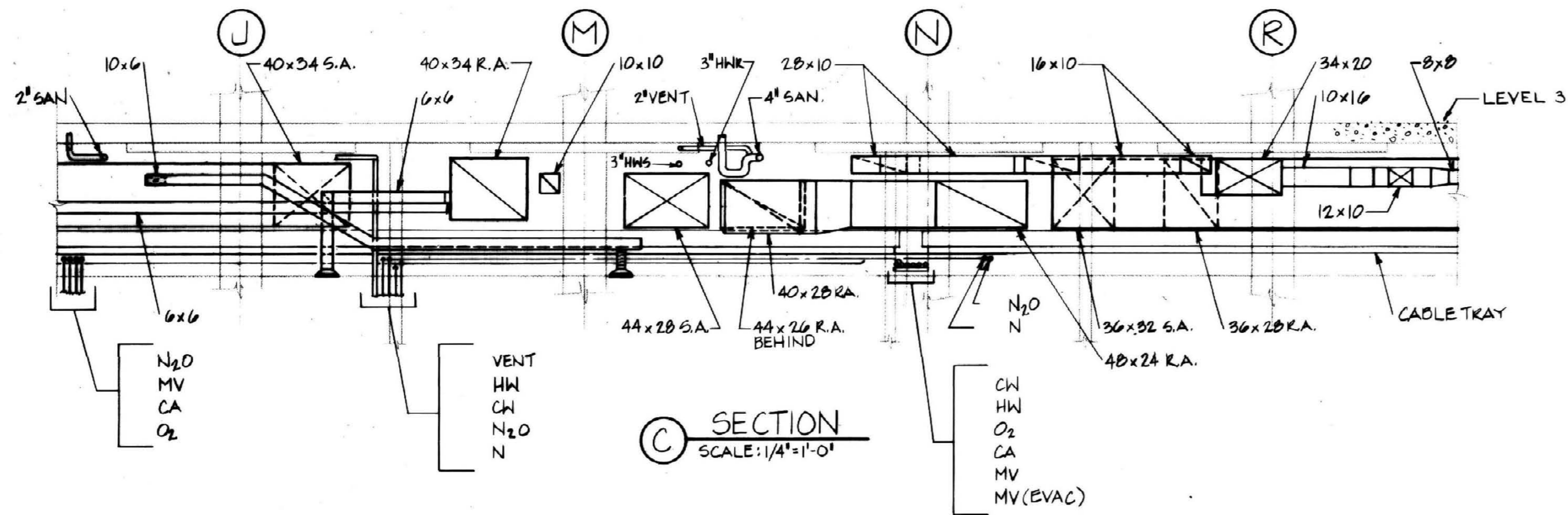
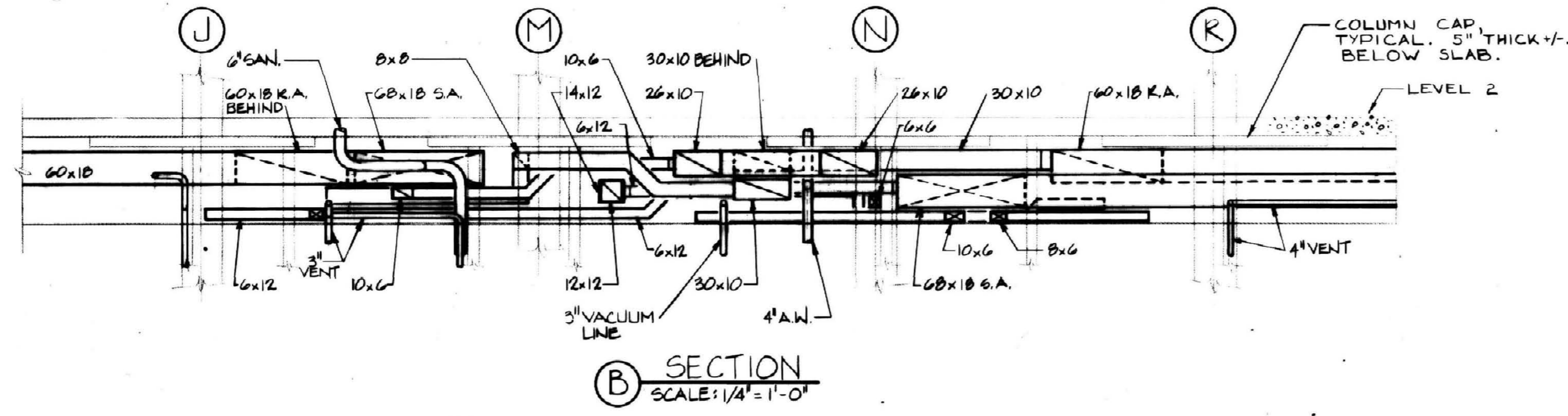


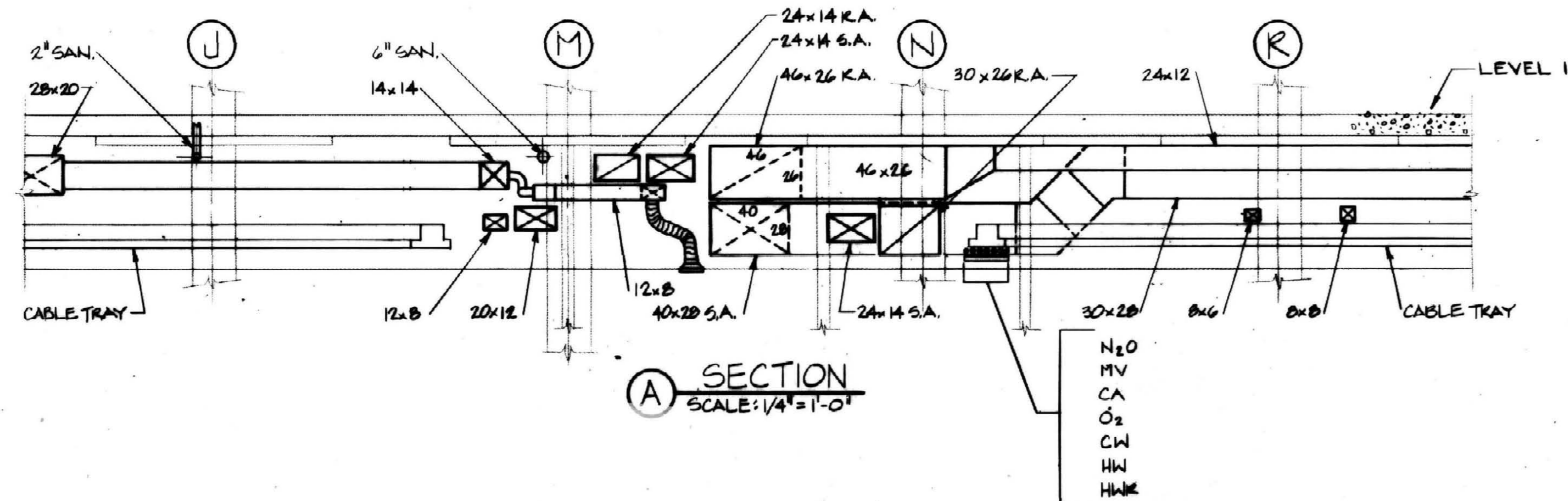
D SECTION
SCALE: 1/4" = 1'-0"



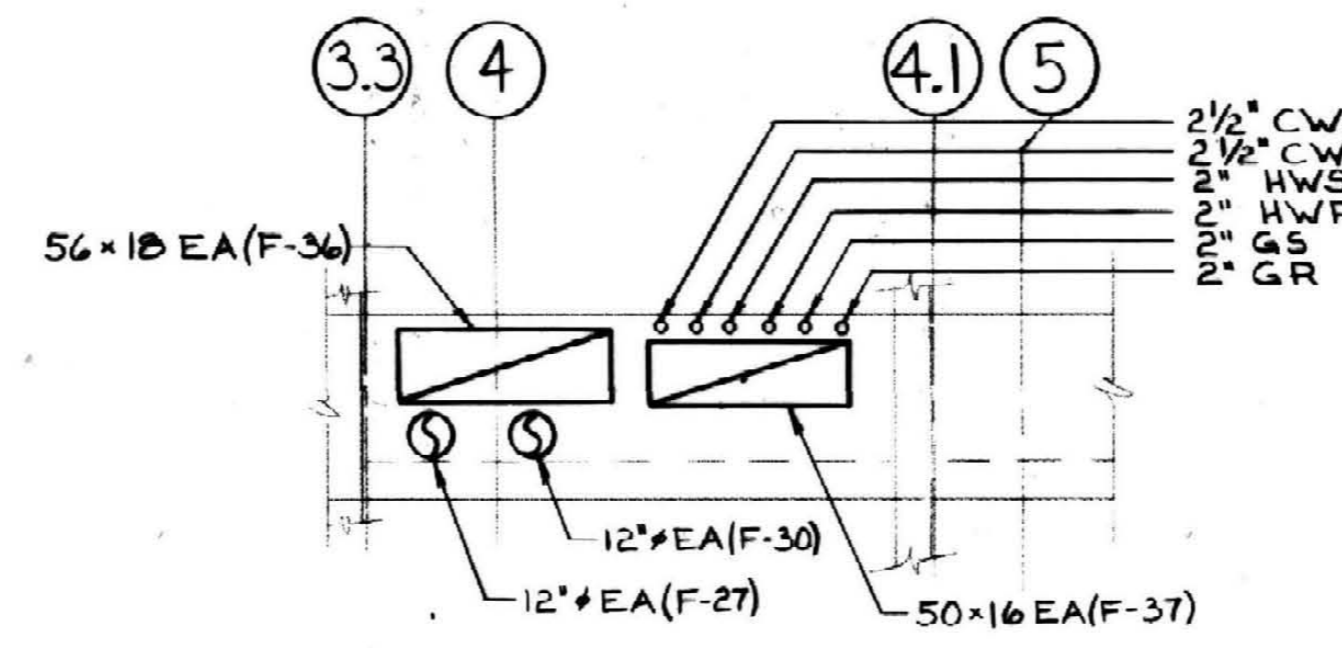
C SECTION
SCALE: 1/4" = 1'-0"



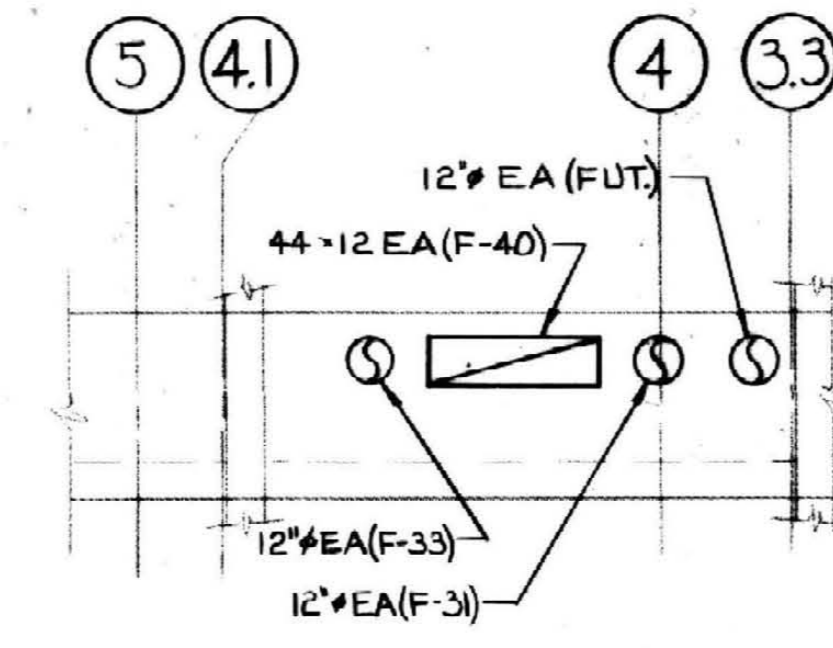
B SECTION
SCALE: 1/4" = 1'-0"



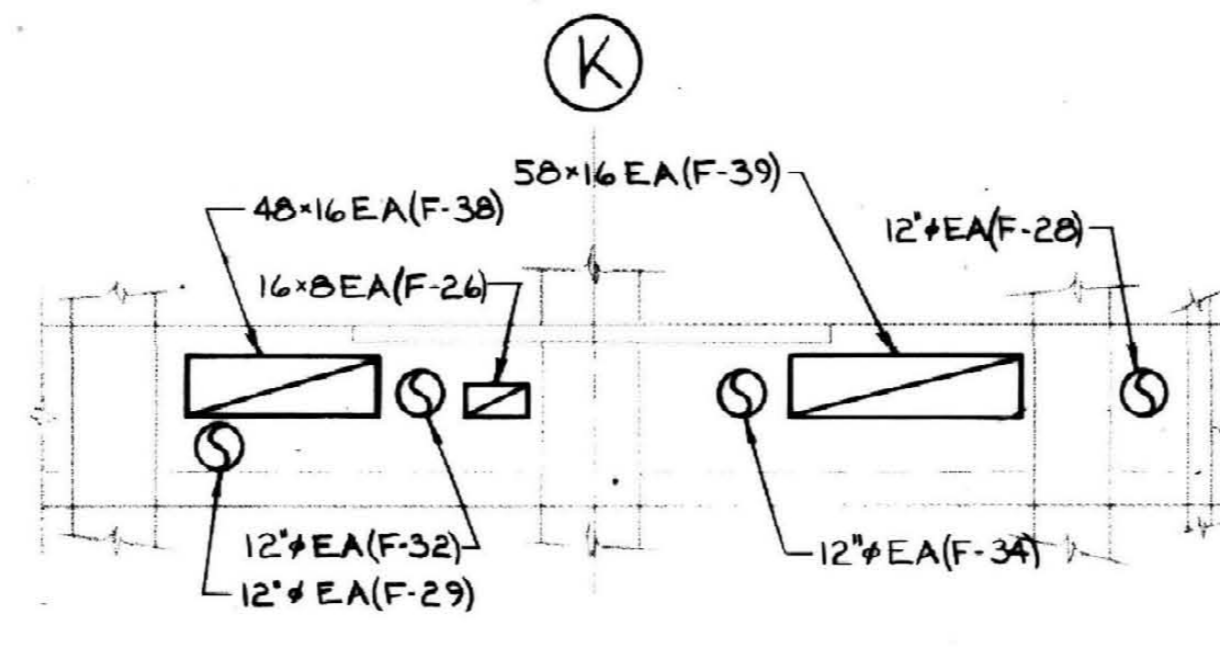
A SECTION
SCALE: 1/4" = 1'-0"



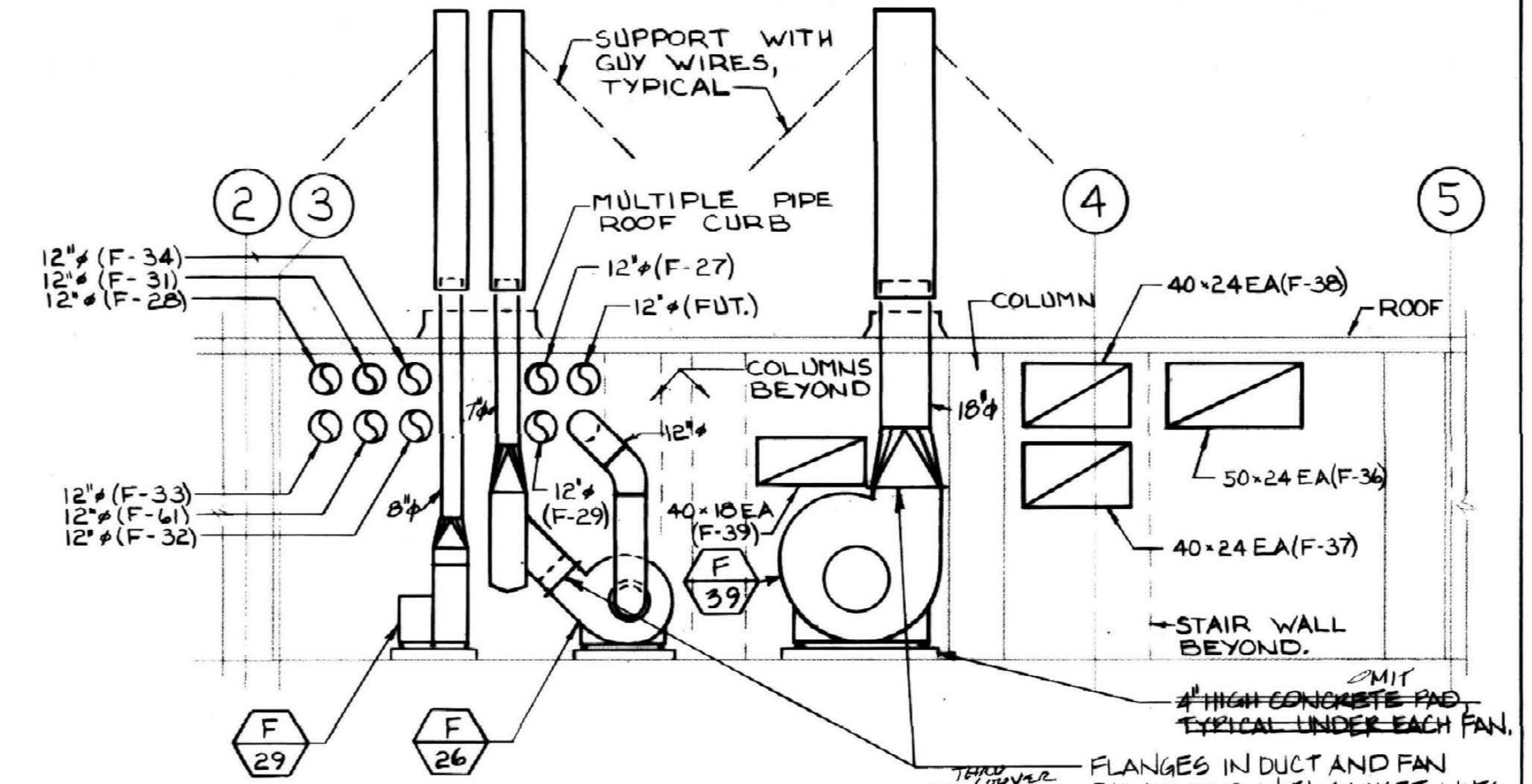
F WEST SHAFT WALL SECTION
SCALE: 1/4" = 1'-0"



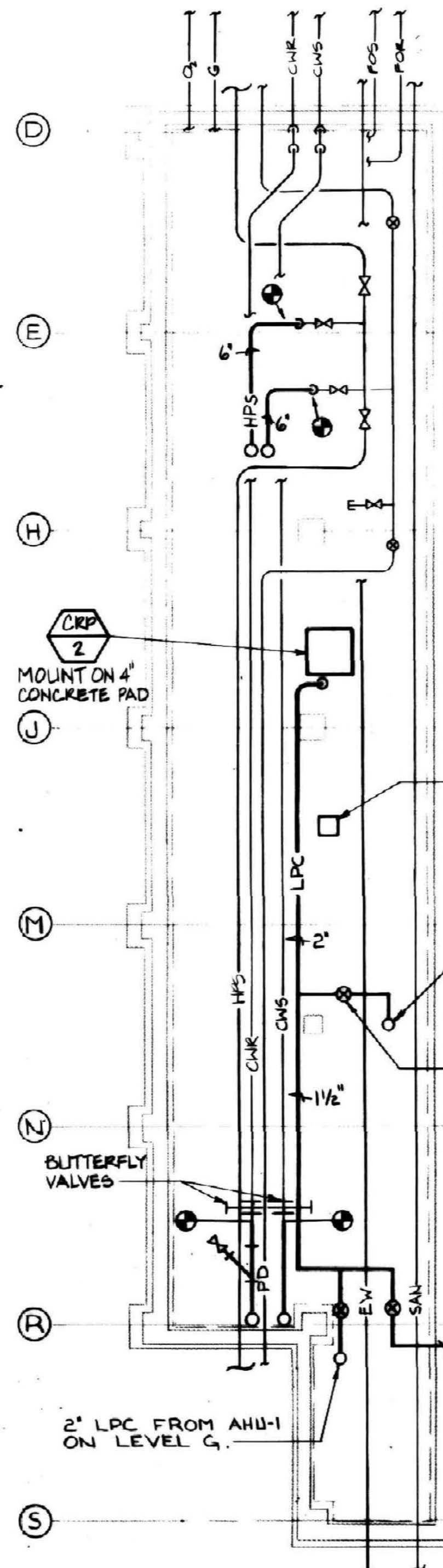
G EAST SHAFT WALL SECTION
SCALE: 1/4" = 1'-0"



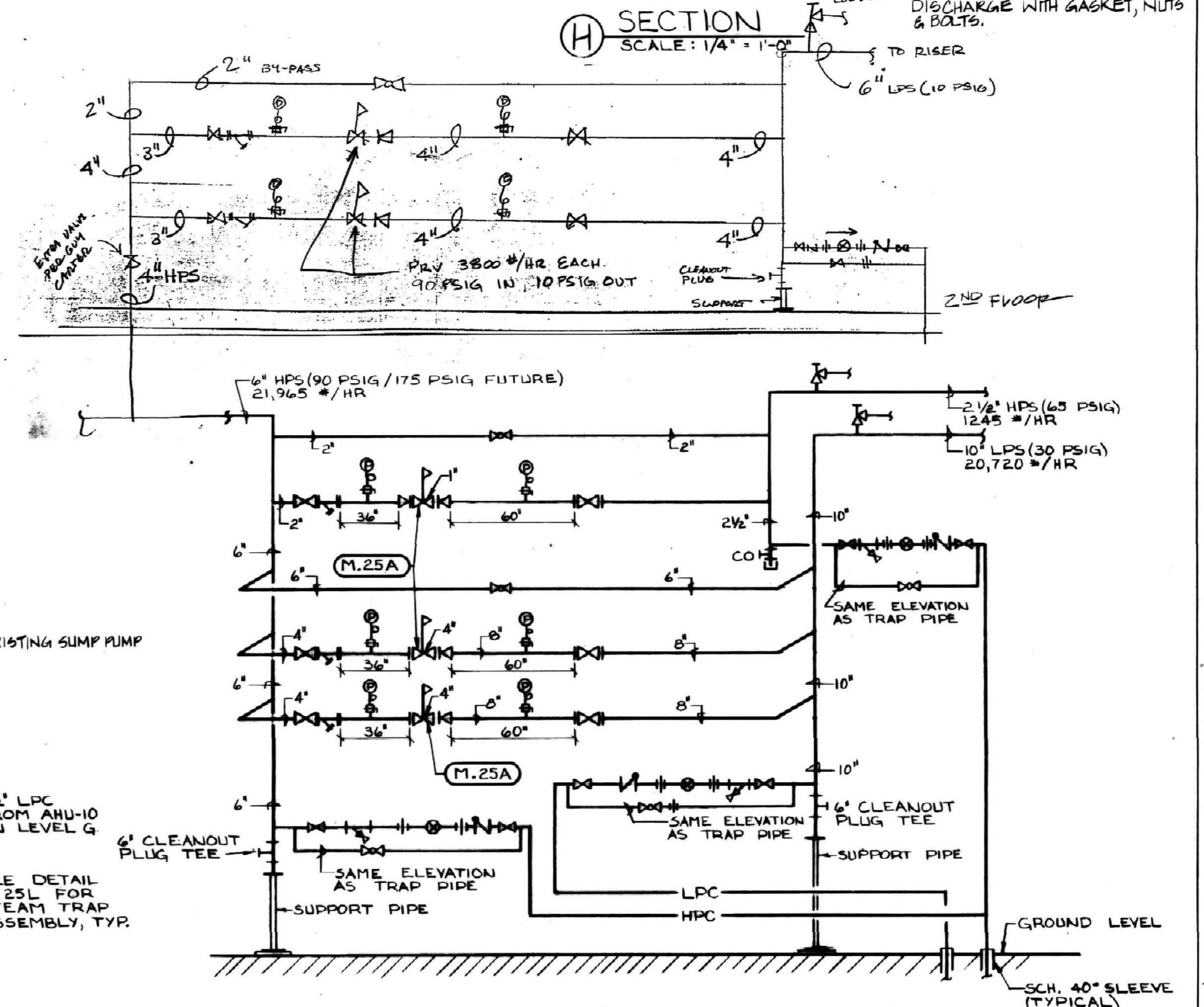
E SOUTH SHAFT WALL SECTION
SCALE: 1/4" = 1'-0"



H SECTION
SCALE: 1/4" = 1'-0"



I NEW TUNNEL PLAN
SCALE: 1/8" = 1'-0"



J STEAM PRESSURE REDUCING STATION
N.T.S.

RECORD DRAWINGS DATE: 10-22-13
These record drawings have been prepared, in part, on the basis of information compiled and furnished by others. The Engineer will not be responsible for any errors or omissions which have been incorporated into this document as a result.
STAGOS & FISHER CONSULTING ENGINEERS, INC.

ALBERT B. CHANDLER MEDICAL CENTER UNIVERSITY OF KENTUCKY HOSPITAL EXPANSION & RENOVATION

<p>Wellmuth, Obata, & Kassabaum, Inc. ME-E-P Engineering</p>
<p>OMNI/CMW Joint Venture Architects In Association with Wellmuth, Obata, & Kassabaum</p>
<p>University of Kentucky Design & Construction Approval</p>
<p>Director FEB 05 1988</p>
<p>Date: 11/87 Drawn by: JEB Revisions:</p>
<p>M-28 M-28 M-28</p>