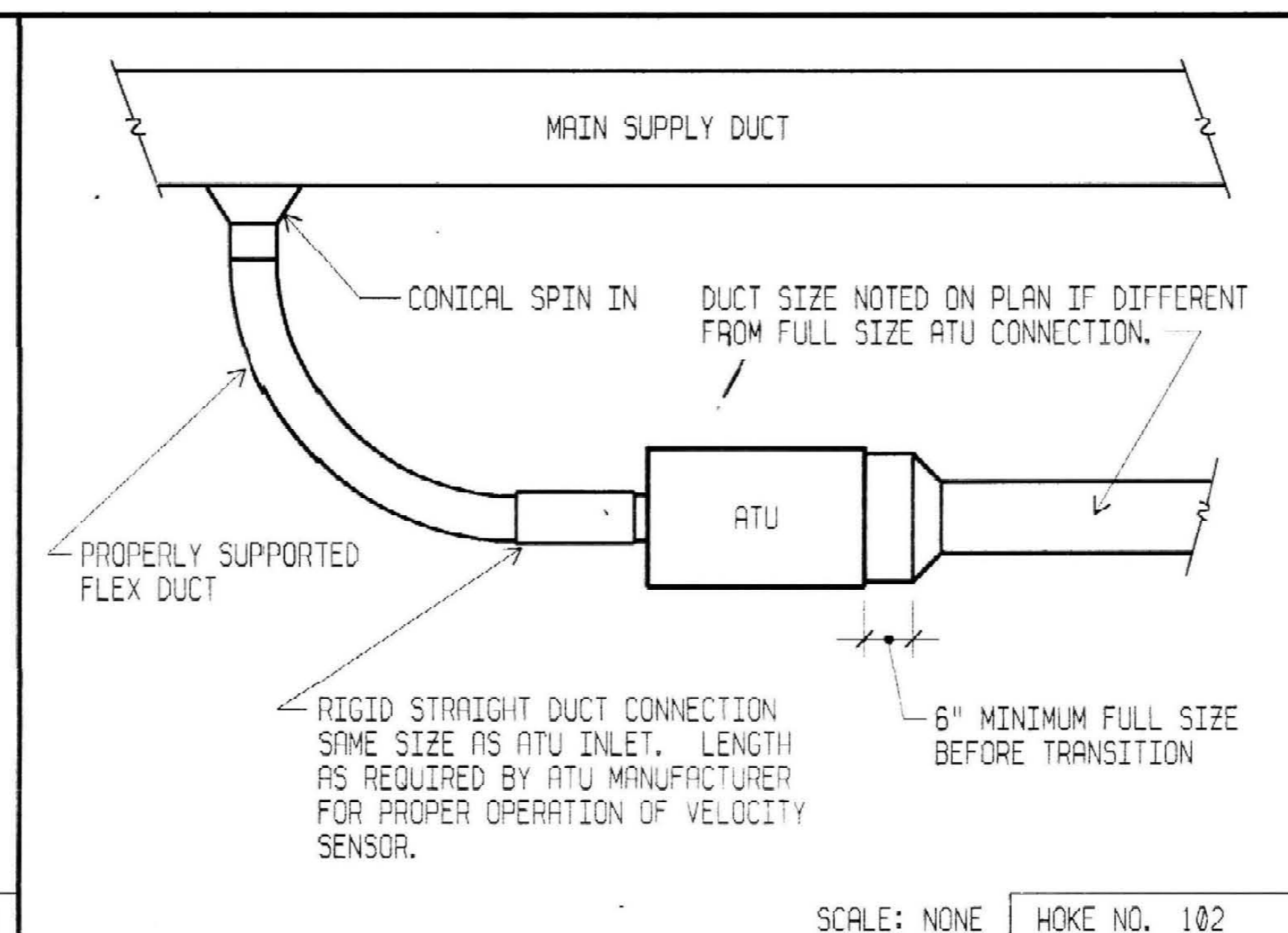
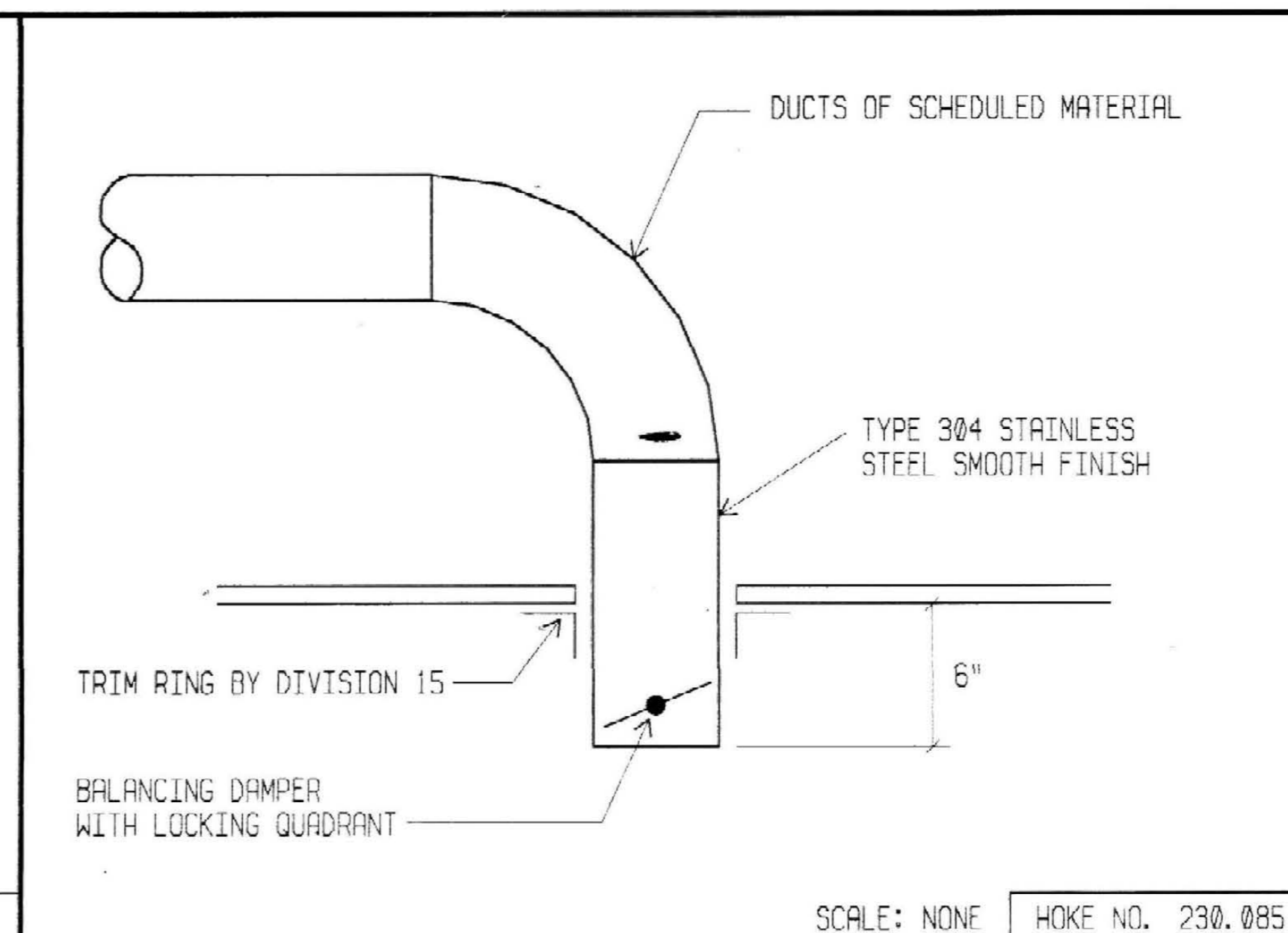


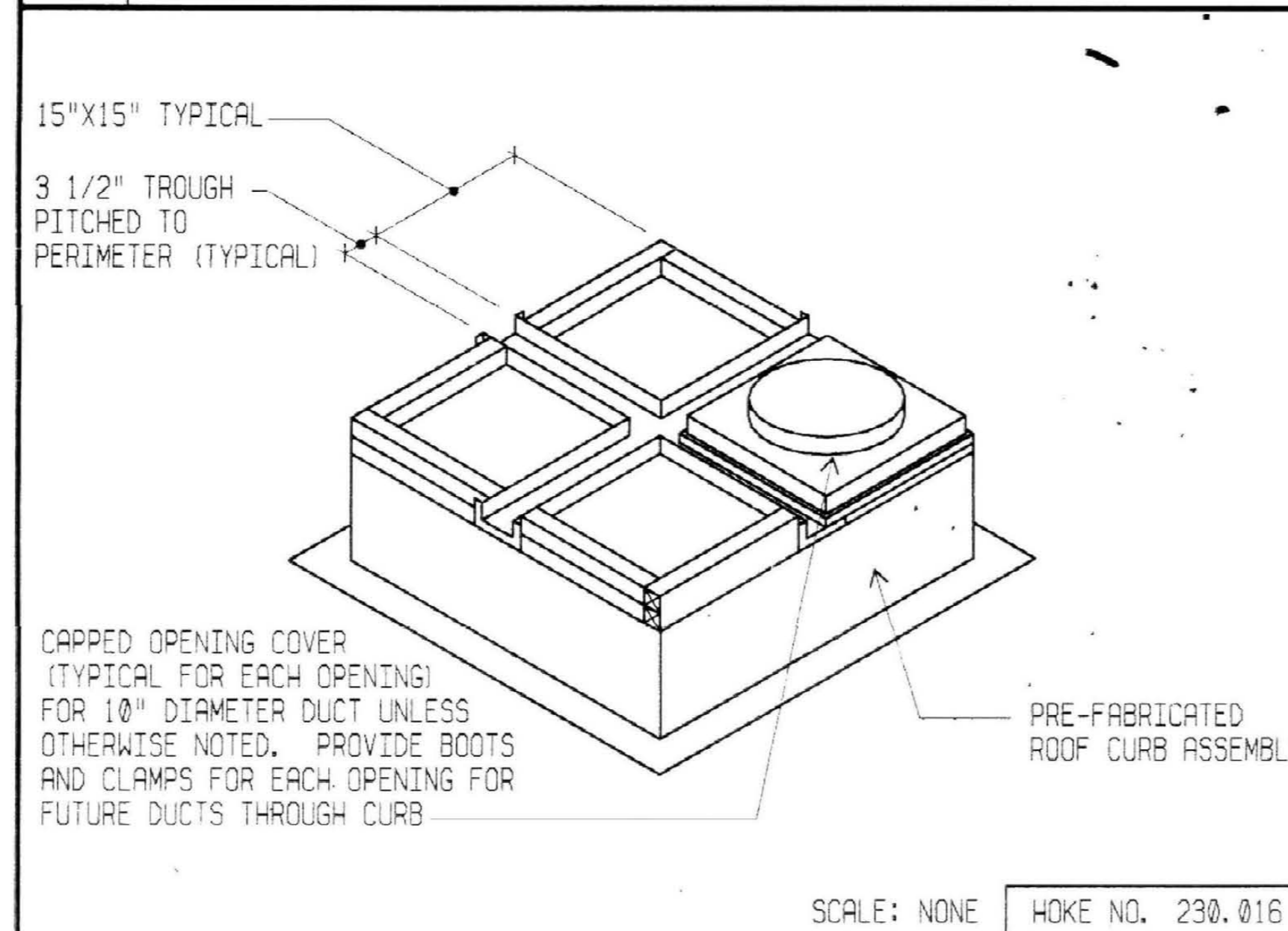
I LINEAR DIFFUSER



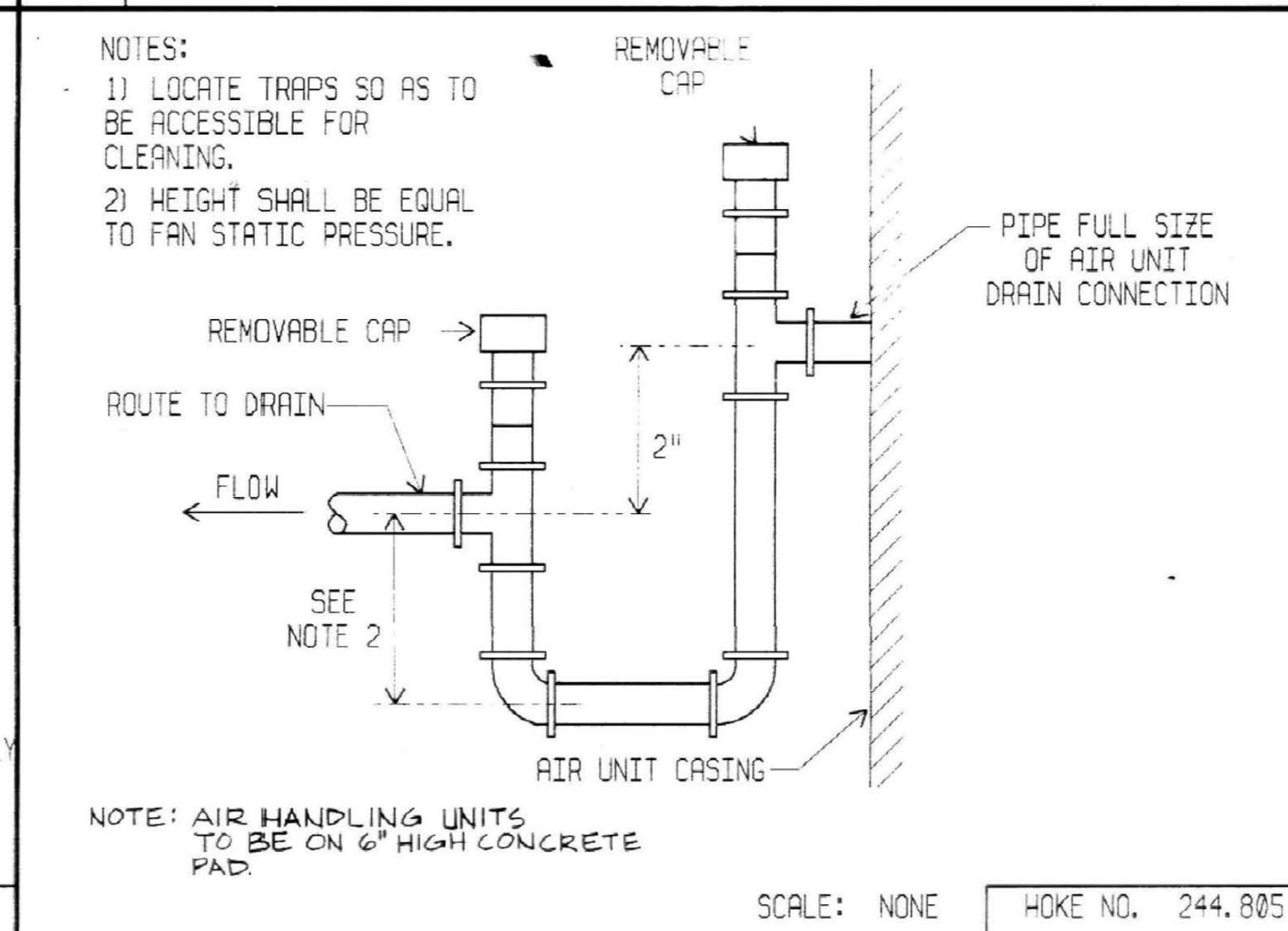
E PRESSURE INDEPENDENT SUPPLY ATU INSTALL.



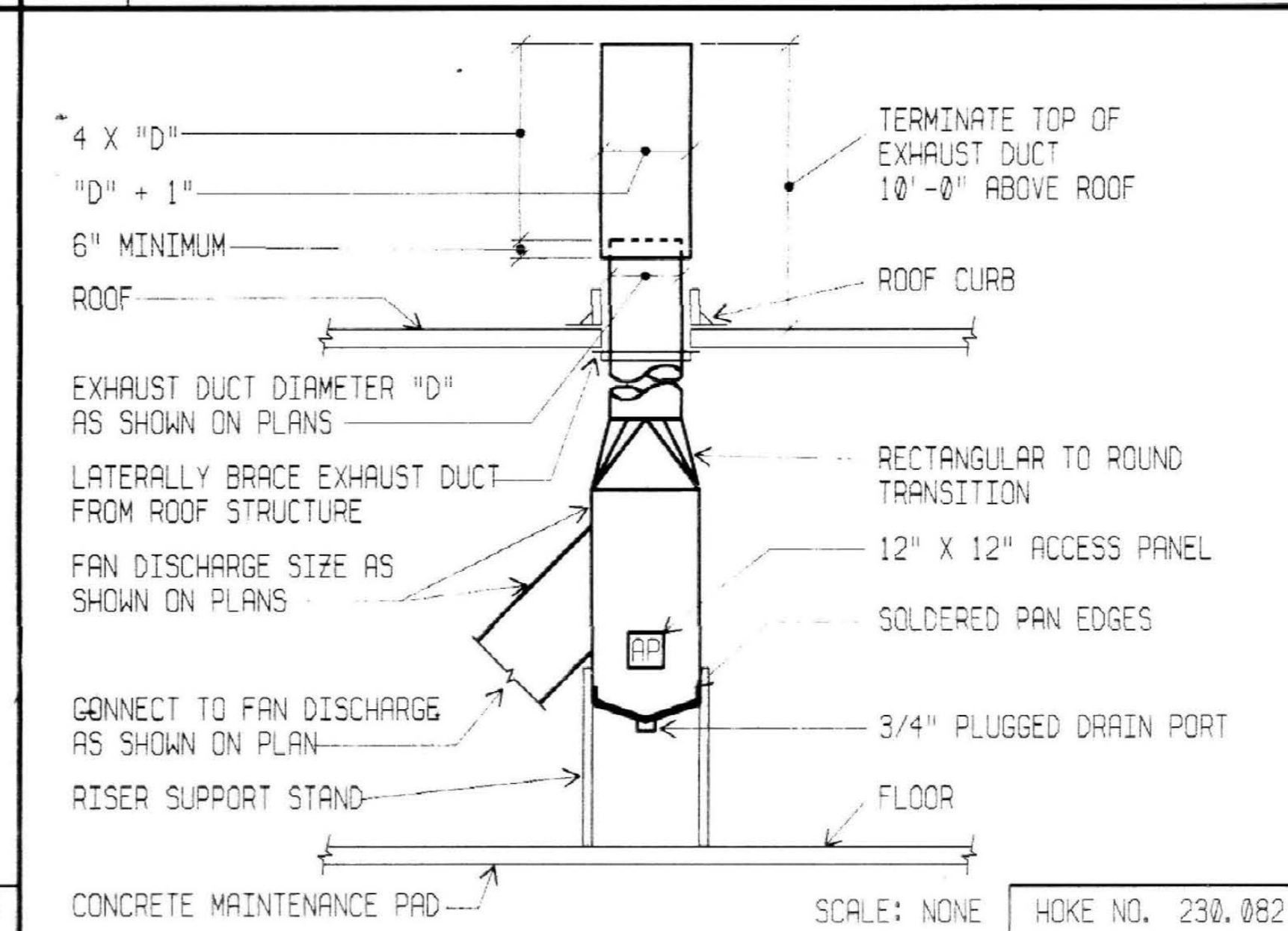
A SNORKEL FITTING



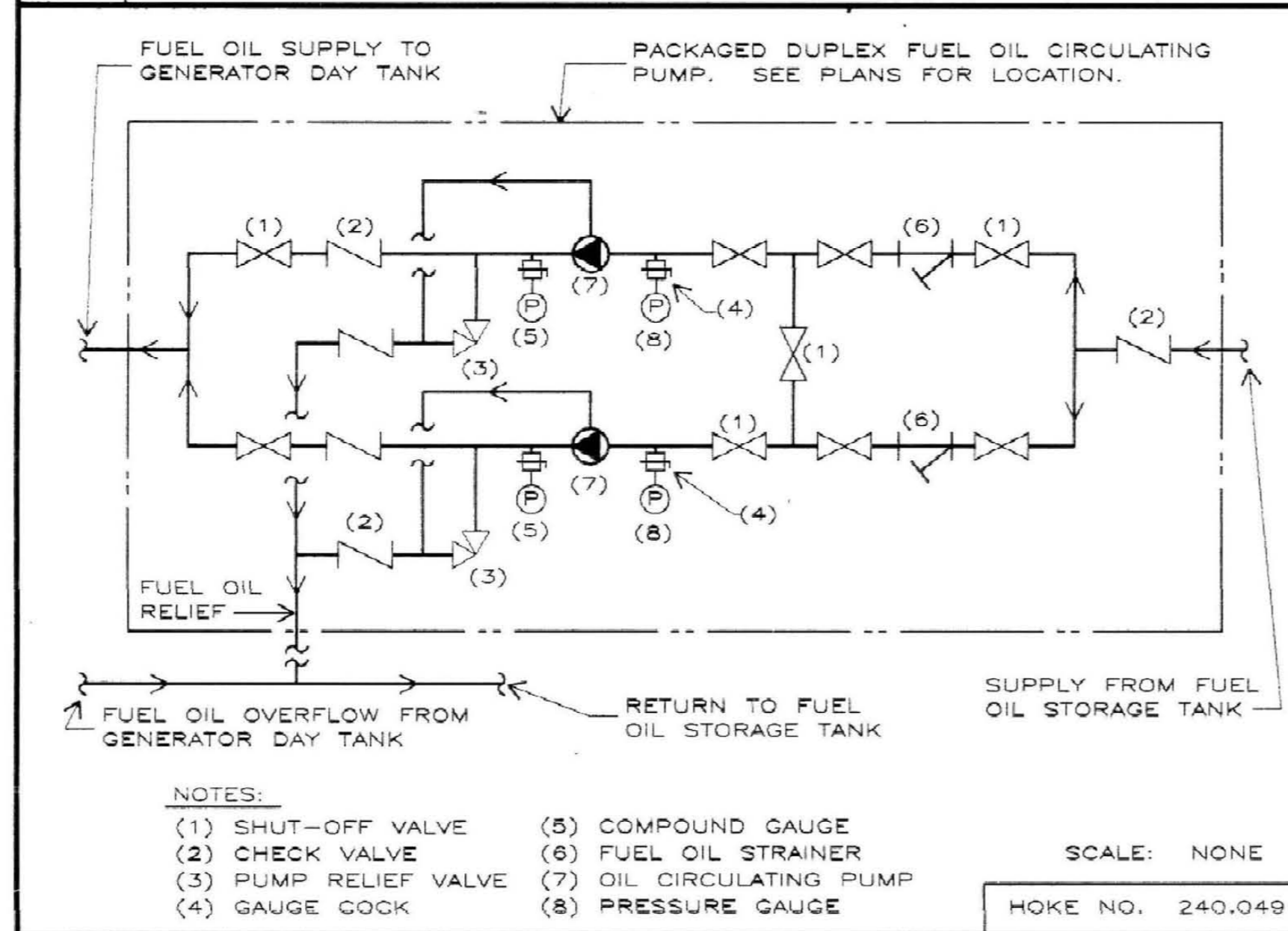
J MULTIPLE DUCT CURB ASSEMBLY



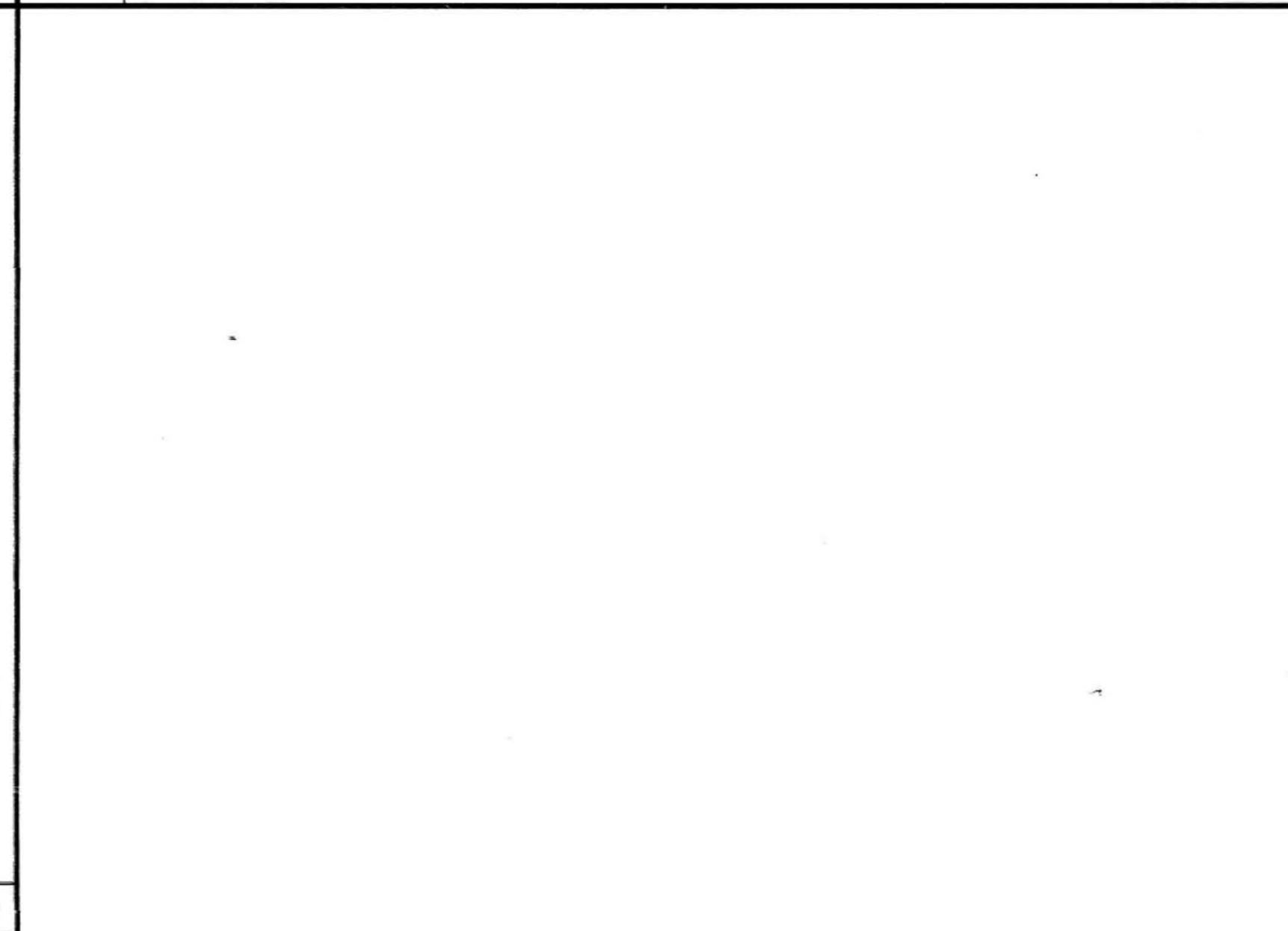
F CONDENSATE DRAIN TRAP



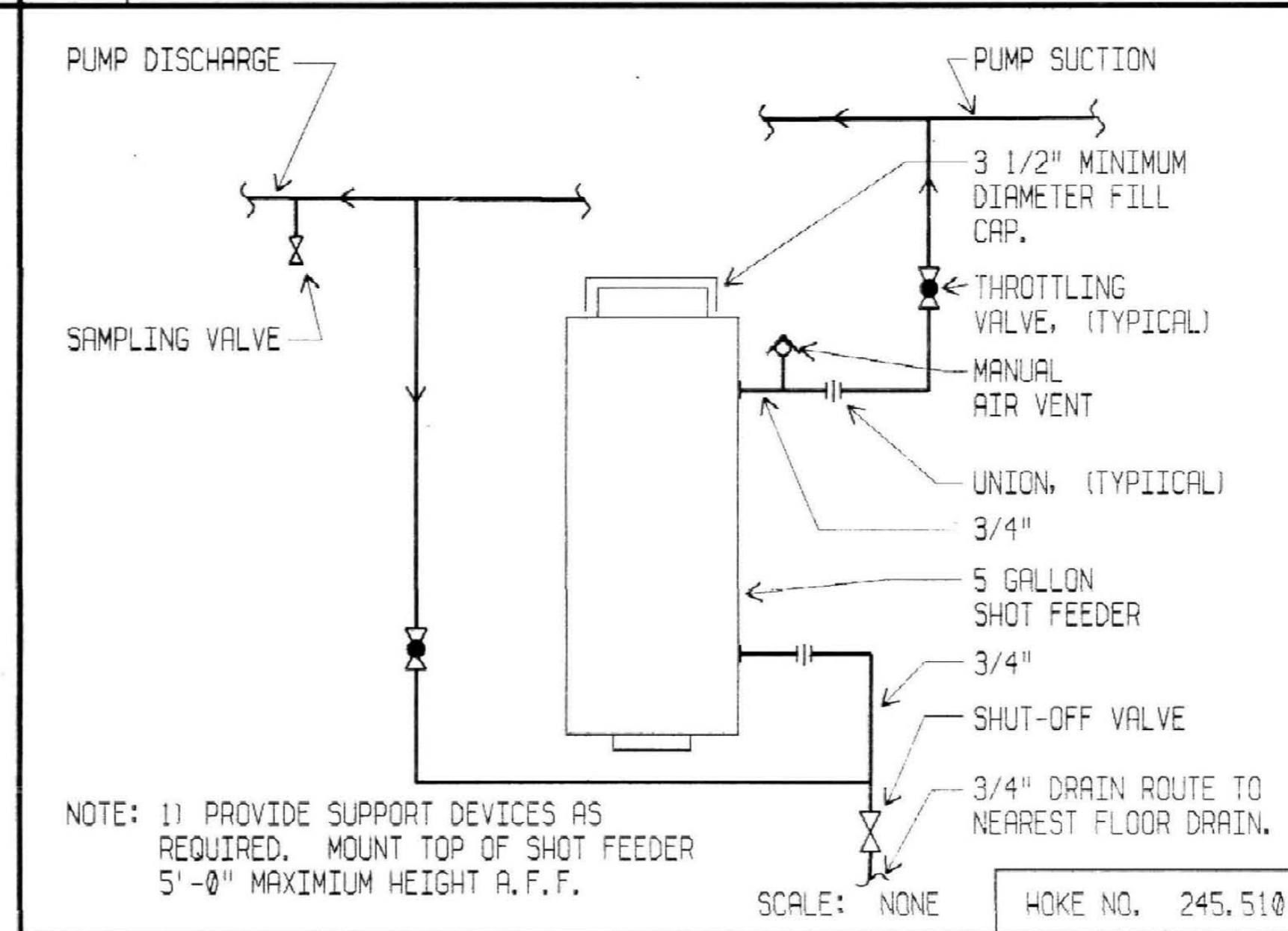
B EXHAUST DUCT STACK



K FUEL OIL CIRCULATING PUMP PIPING



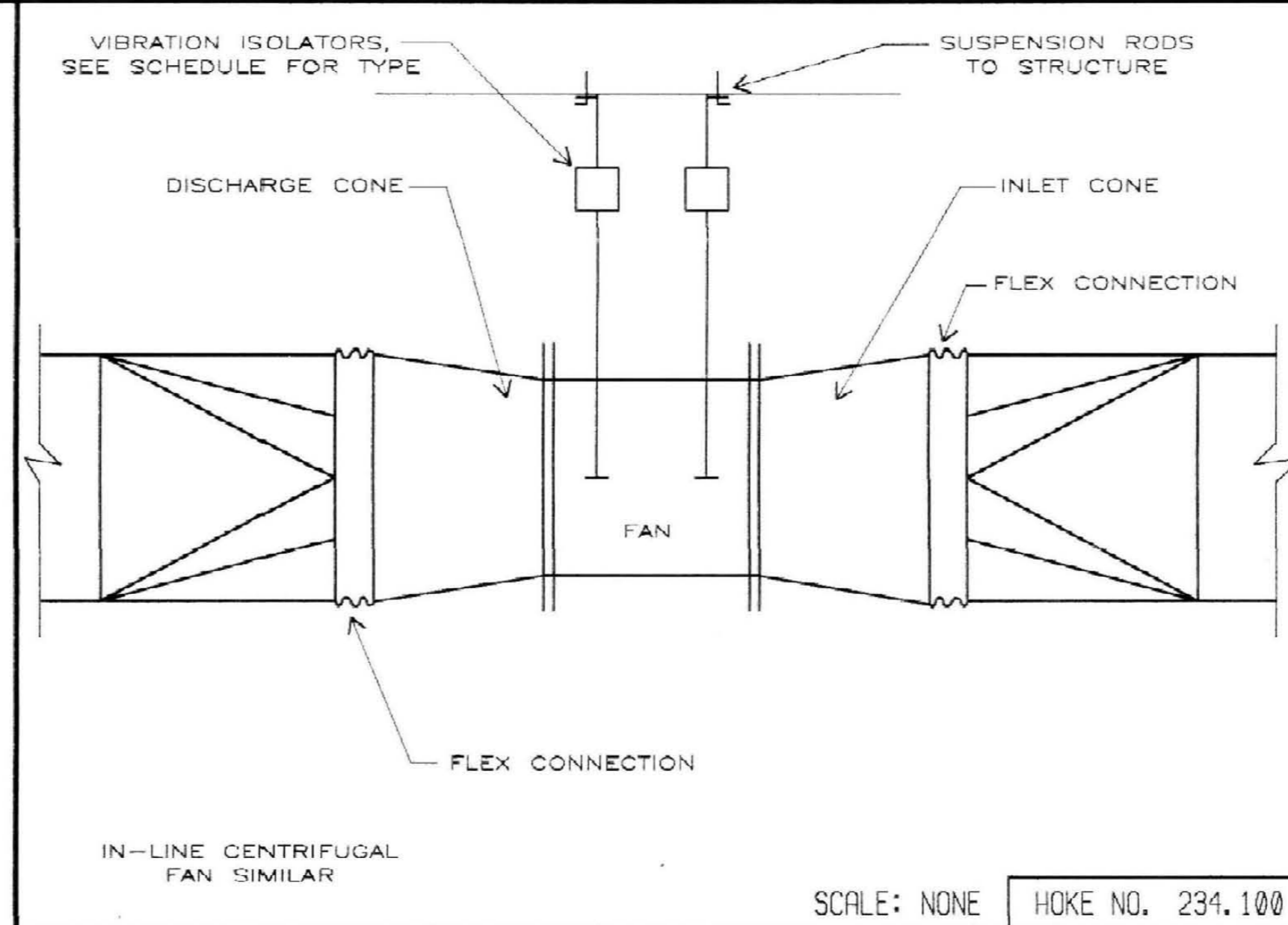
C SHOT FEEDER PIPING



D EXHAUST AIR TERMINAL INSTALLTION



H FAN INSTALLATION



D EXHAUST AIR TERMINAL INSTALLTION

RECORD DRAWINGS DATE 11-22-87
 These record drawings have been prepared, in part, on the basis of information compiled and furnished by others. The user of these drawings should verify the accuracy of the information from which they have been prepared and take appropriate action as a result.
 STAGGS & FISHER CONSULTING ENGINEERS, INC.

ALBERT B. CHANDLER MEDICAL CENTER UNIVERSITY OF KENTUCKY HOSPITAL EXPANSION & RENOVATION

OMNI/CMW Joint Venture Architects
 In Association with Hellmuth, Obata, & Kassabaum
 2385 Harrodsburg Road, Lexington, KY 40504 Ph 606-223-0045
 308 S. Broadway, Lexington, KY 40508 Ph 606-254-8823
 Chairman - Walter Woodford

Hellmuth, Obata, & Kassabaum, Inc.
 M-E-P Engineering
 100 North Broadway, St. Louis, Mo 63102 Ph 314-421-2800

Details
 HOSPITAL EXPANSION & RENOVATION
 A. B. CHANDLER MEDICAL CENTER
 PROJECT NO. 304.1
 BID PACKAGE #2

University of Kentucky
 Design & Construction
 Approval

 Director
 Date 11/87
 Drawn by JEB
 Check by
 Revisions

M-27

HOSPITAL ADDITION