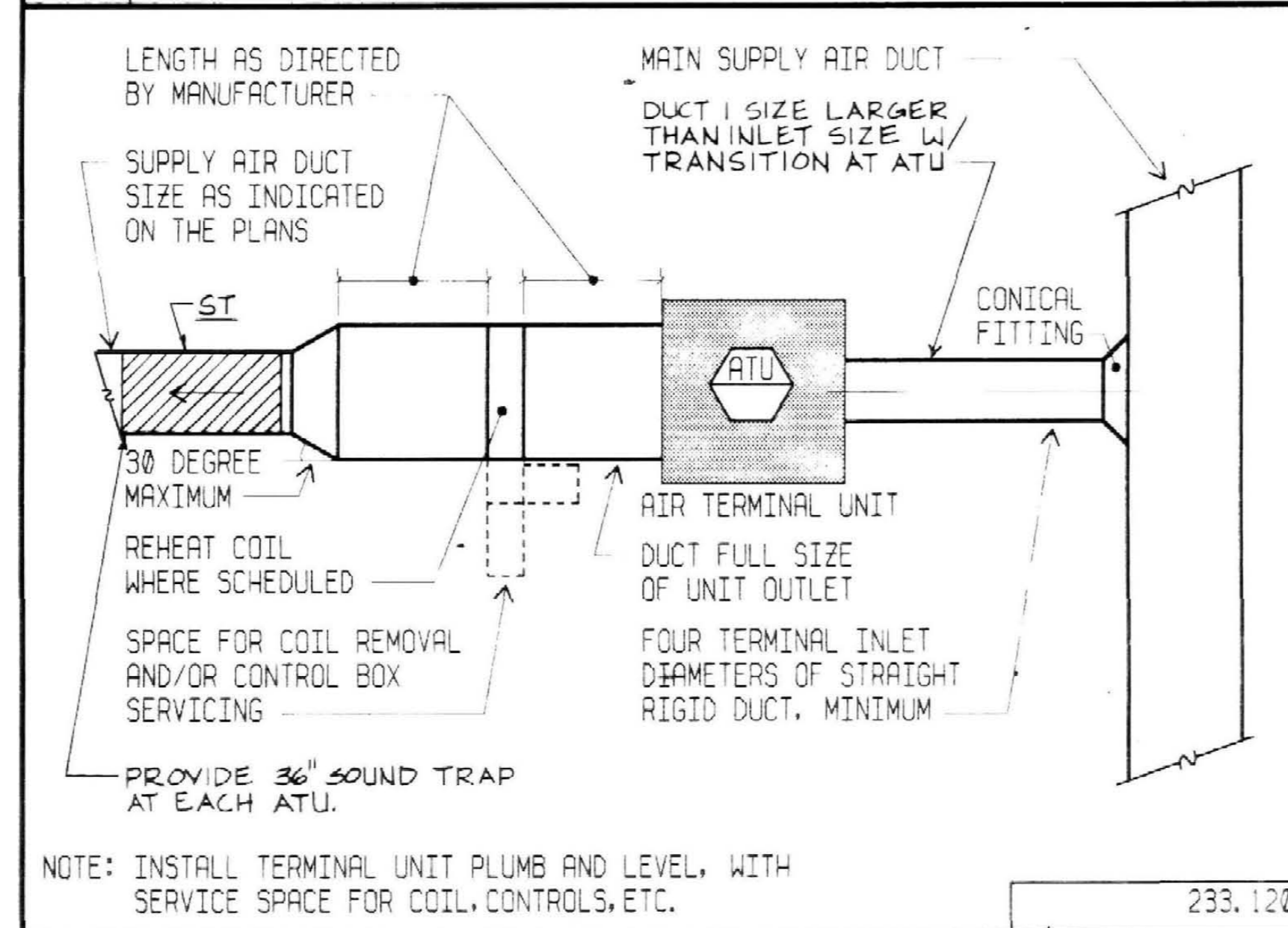
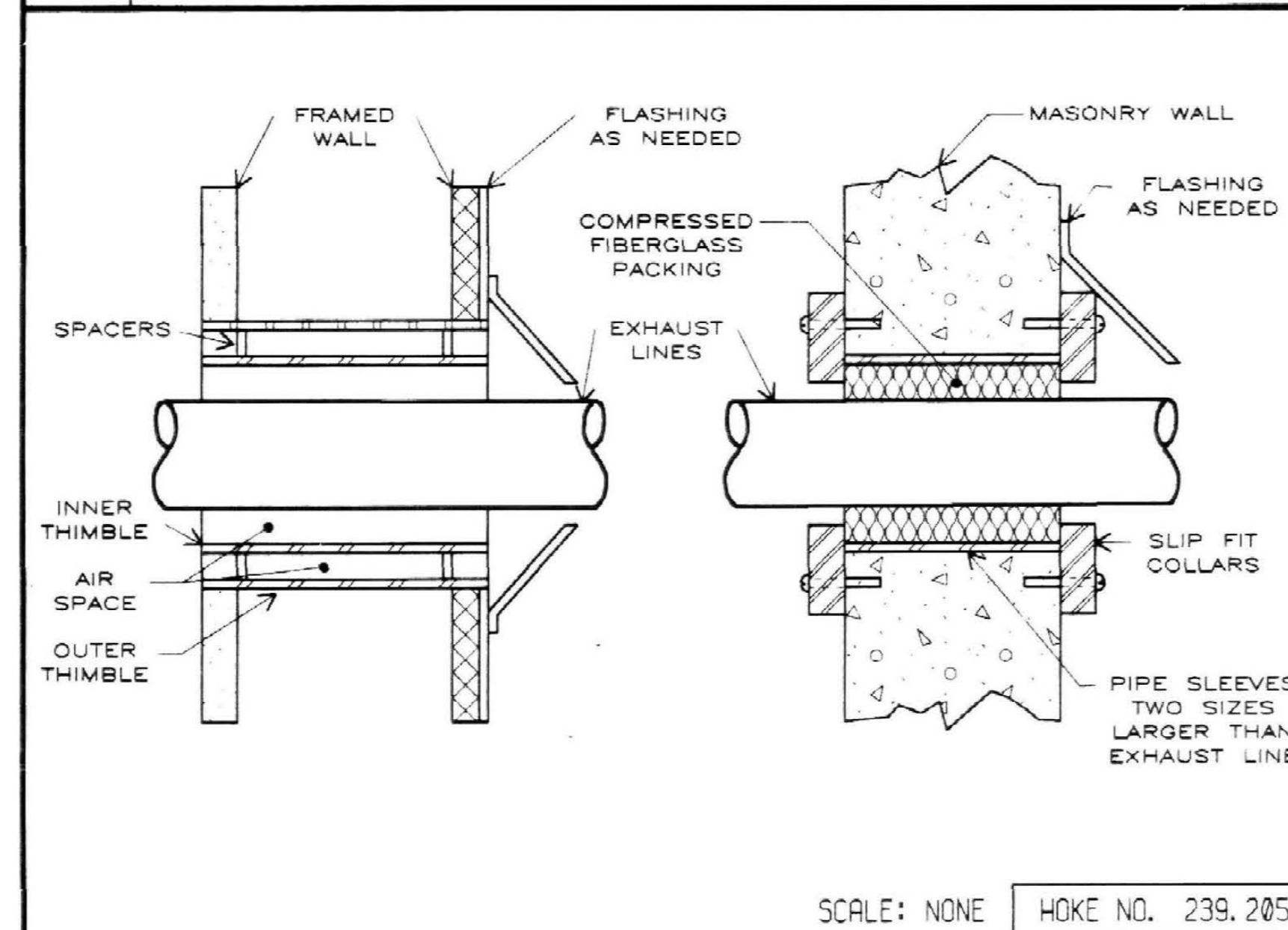


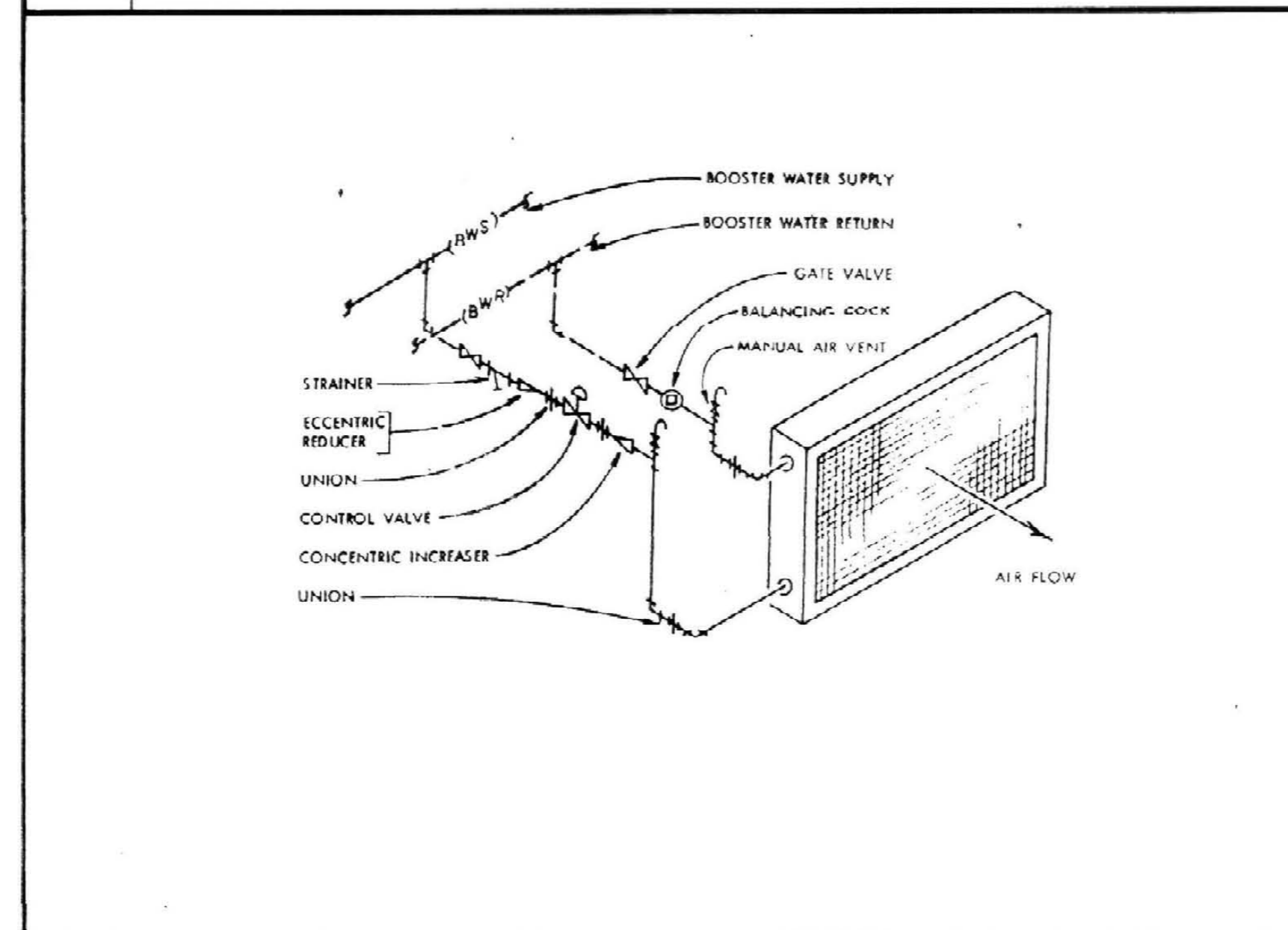
I AIR TERMINAL UNIT INSTALLATION



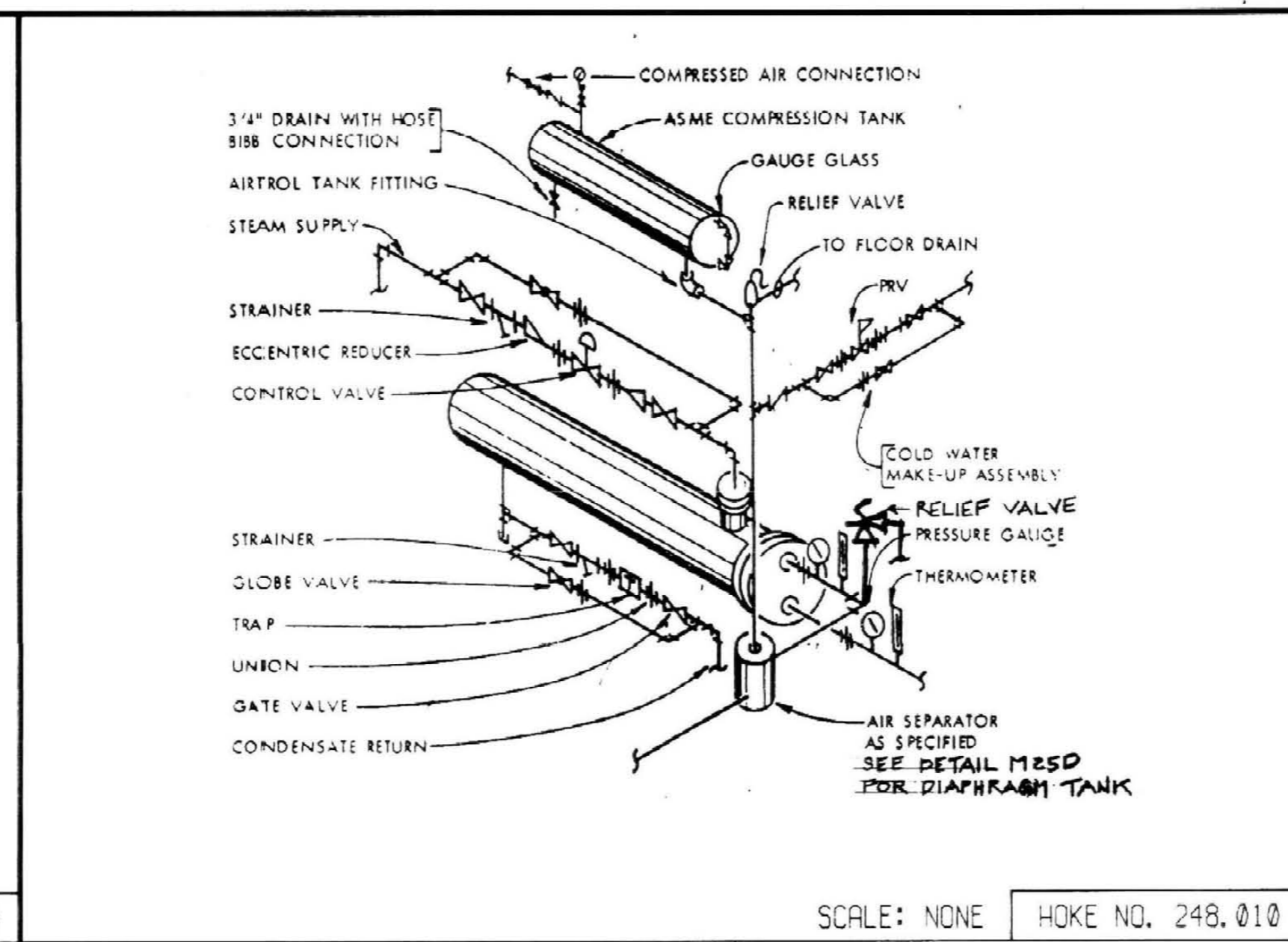
J AIR TERMINAL UNIT WITH HEATING COIL



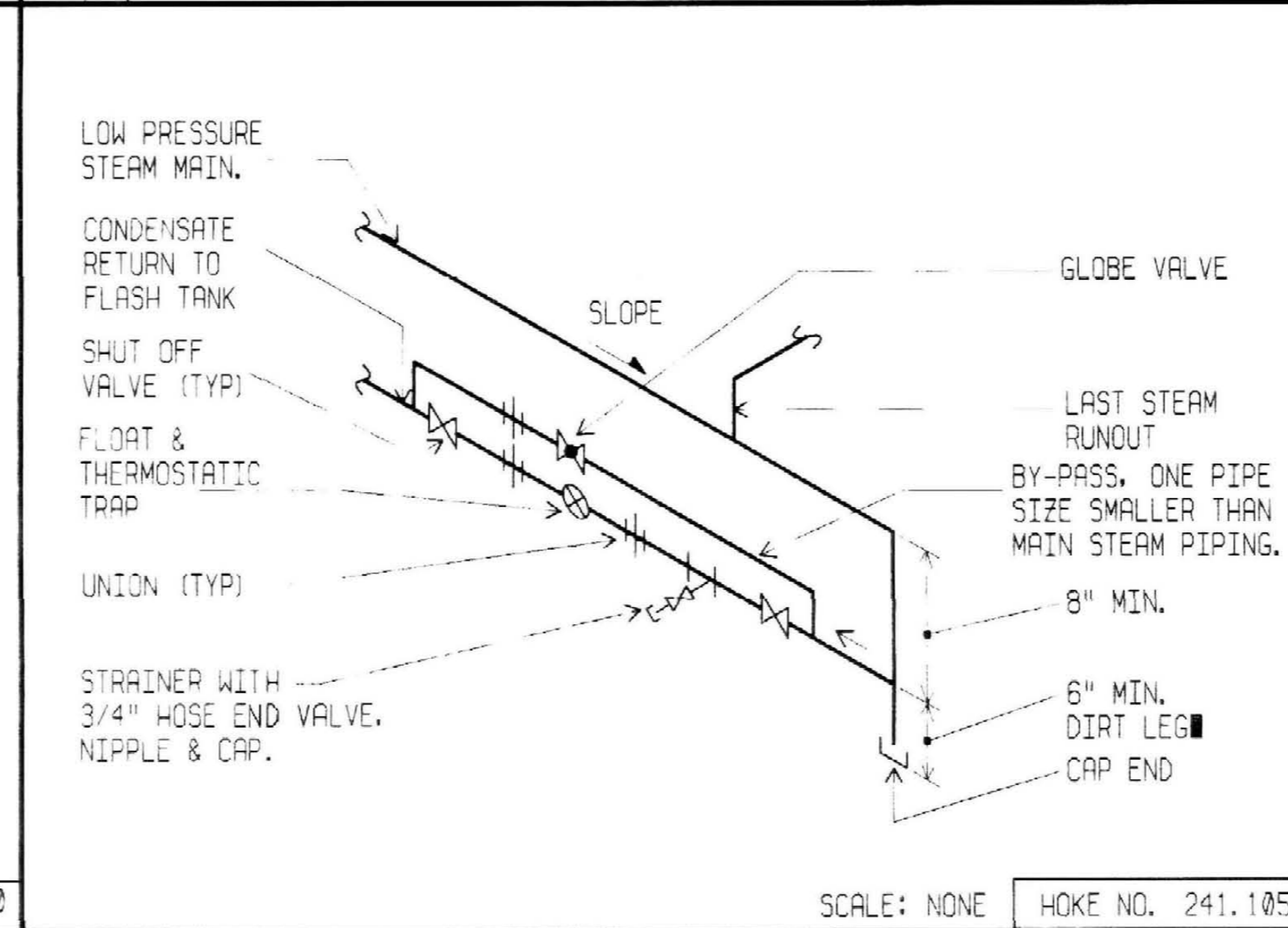
K GENERATOR EXHAUST WALL THIMBLES



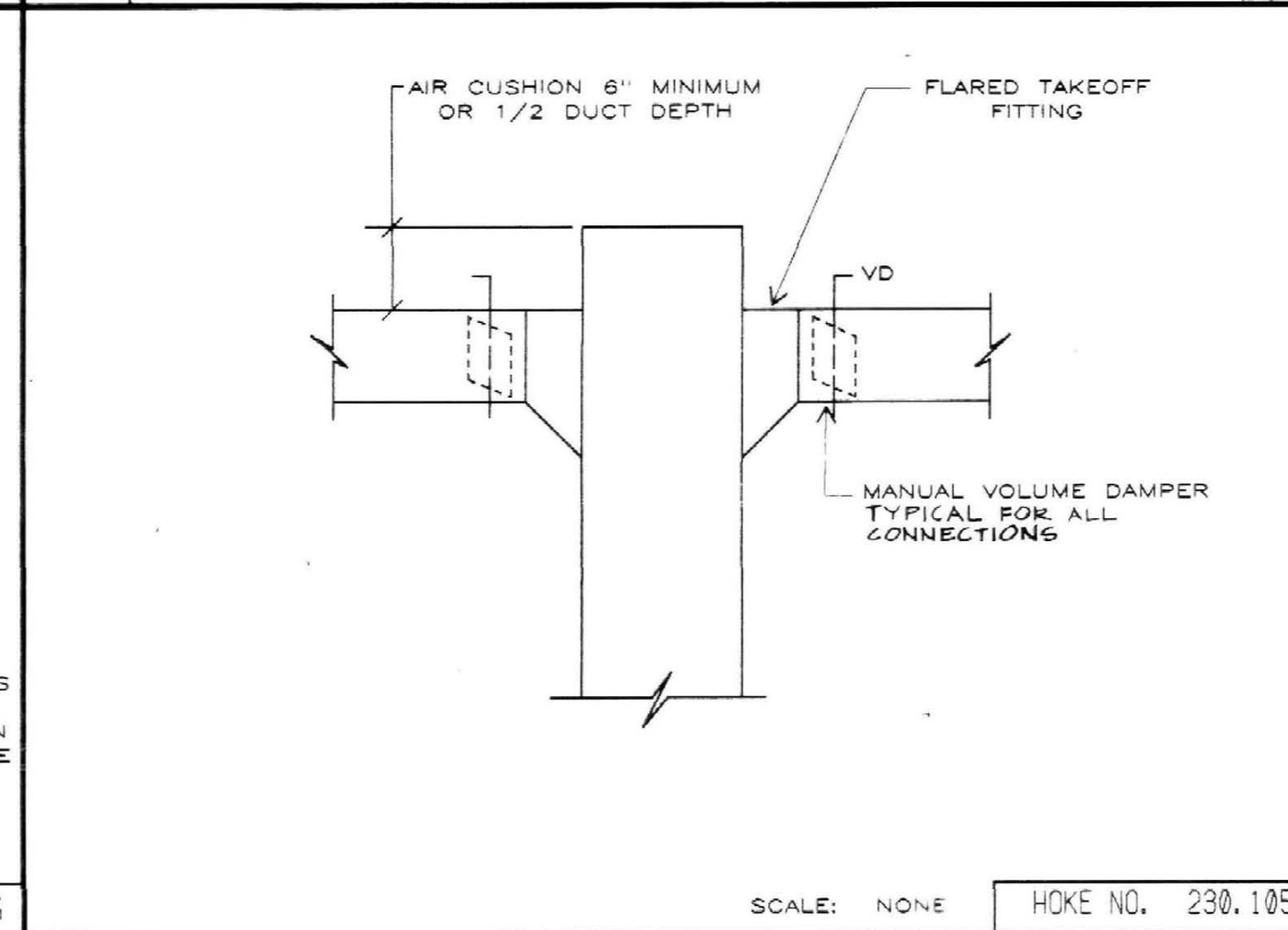
L HEAT COIL WITH 2-WAY VALVE



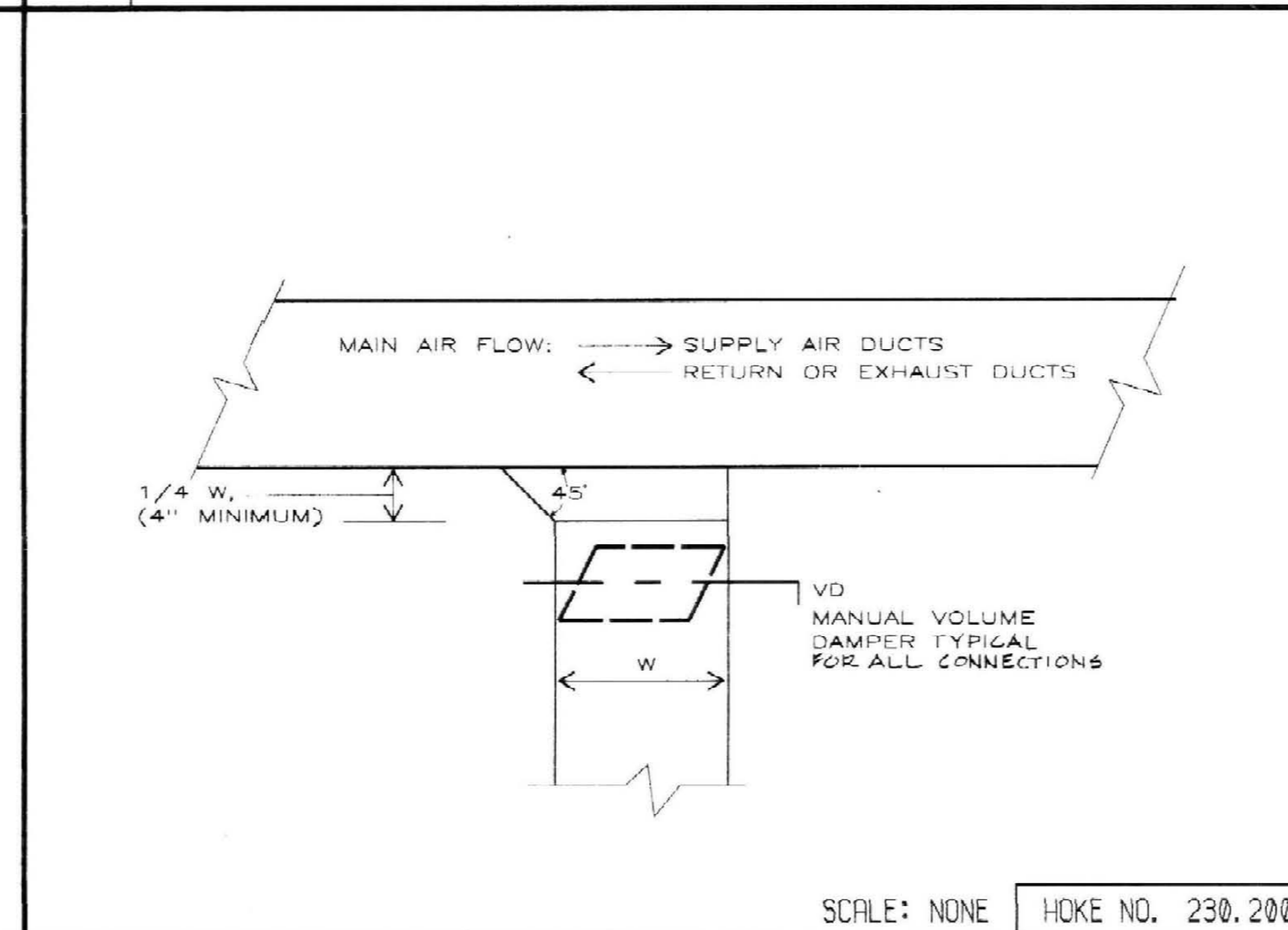
E HEAT EXCHANGER



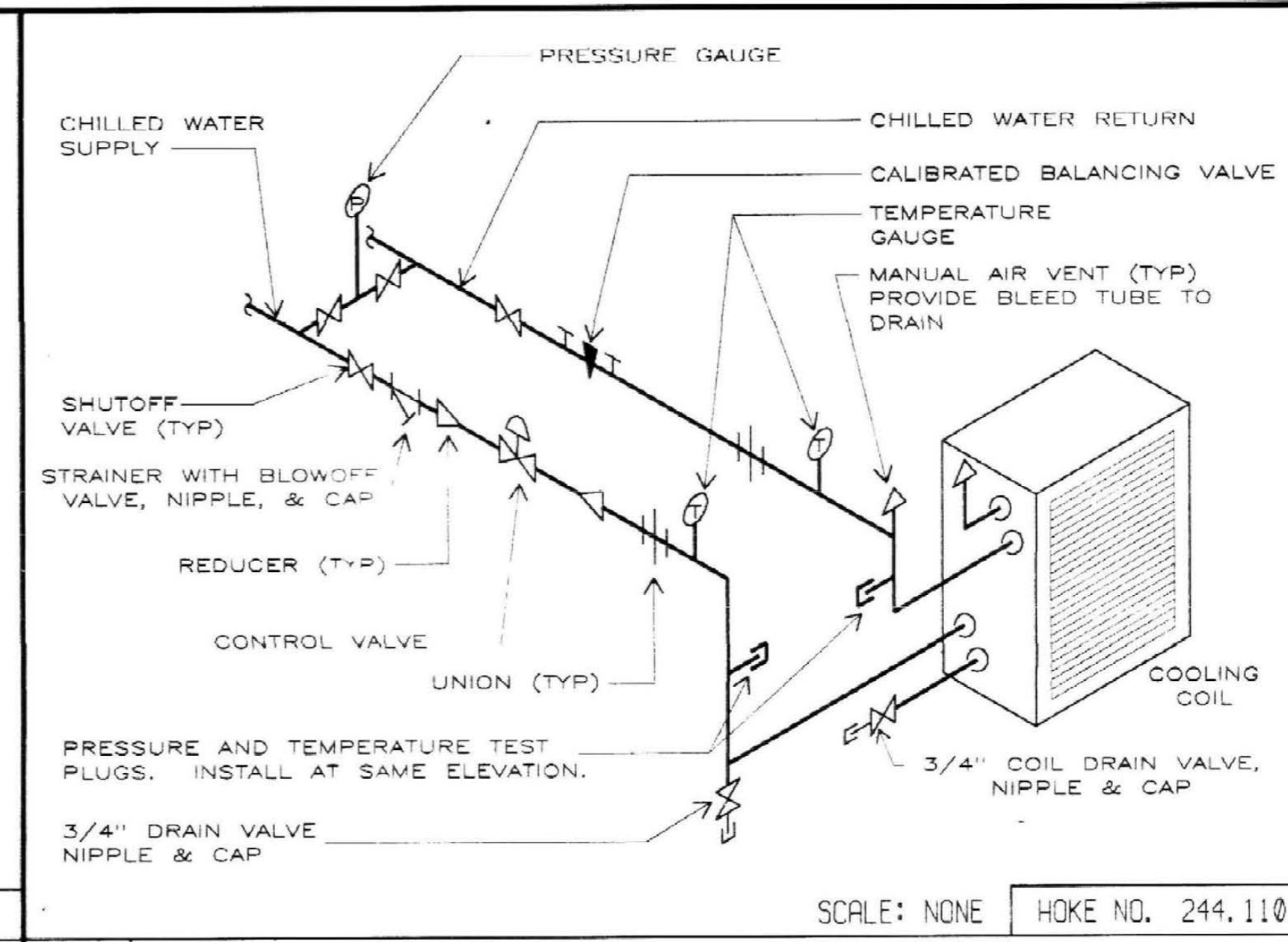
F LOW PRESSURE END OF MAIN DRIP



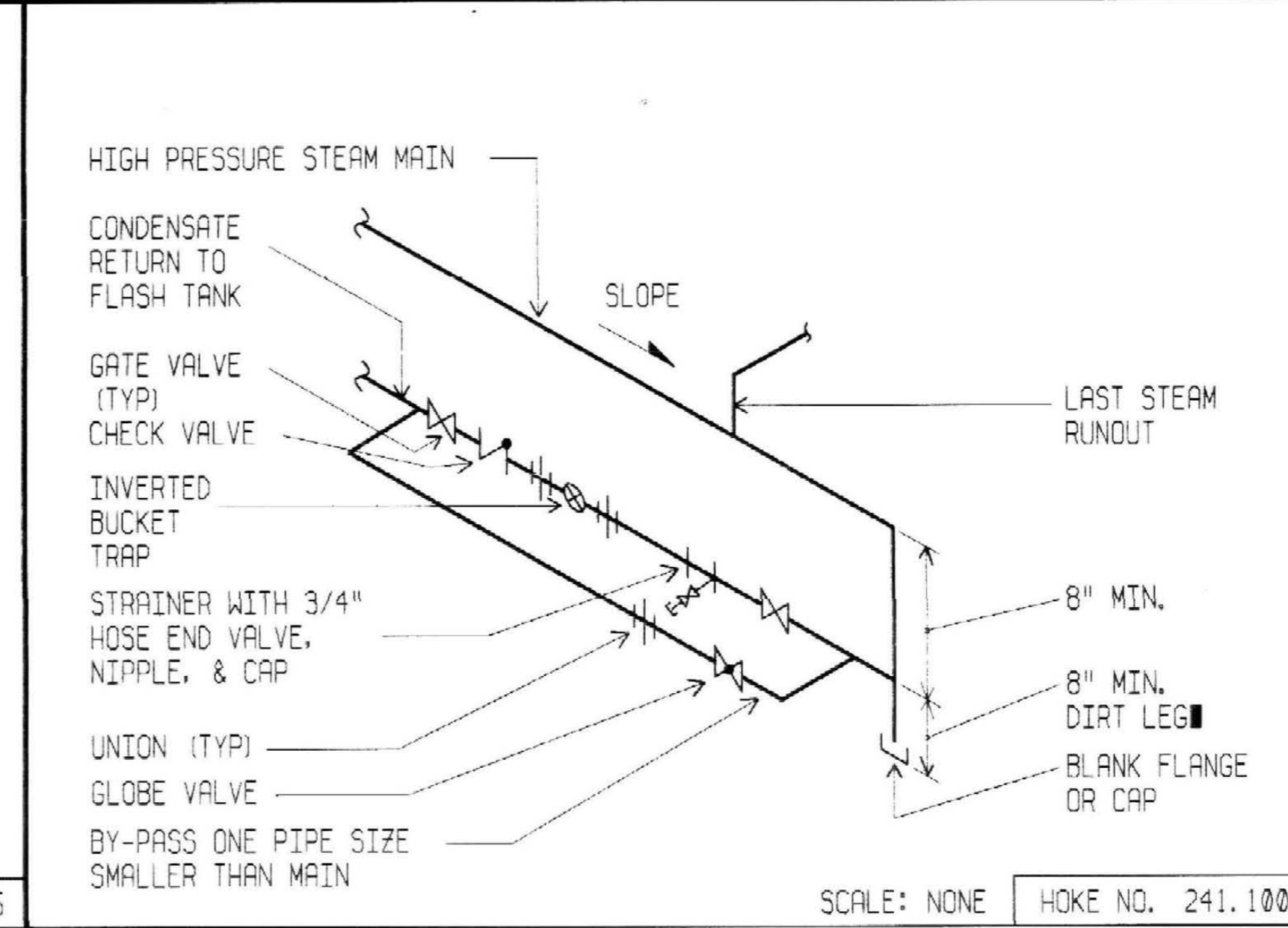
G DUCTWORK TEE DETAIL



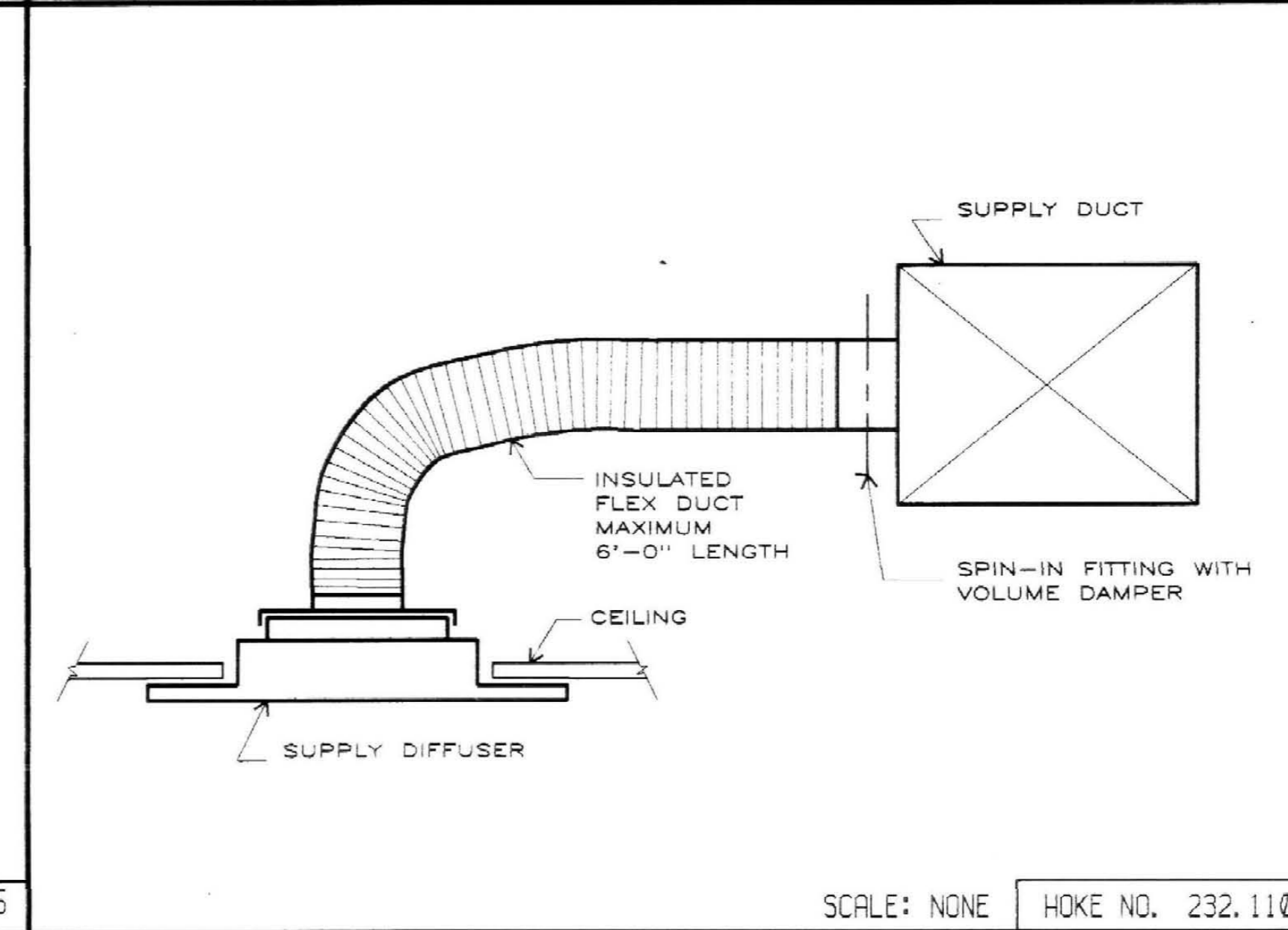
H BRANCH DUCT TAKE-OFF



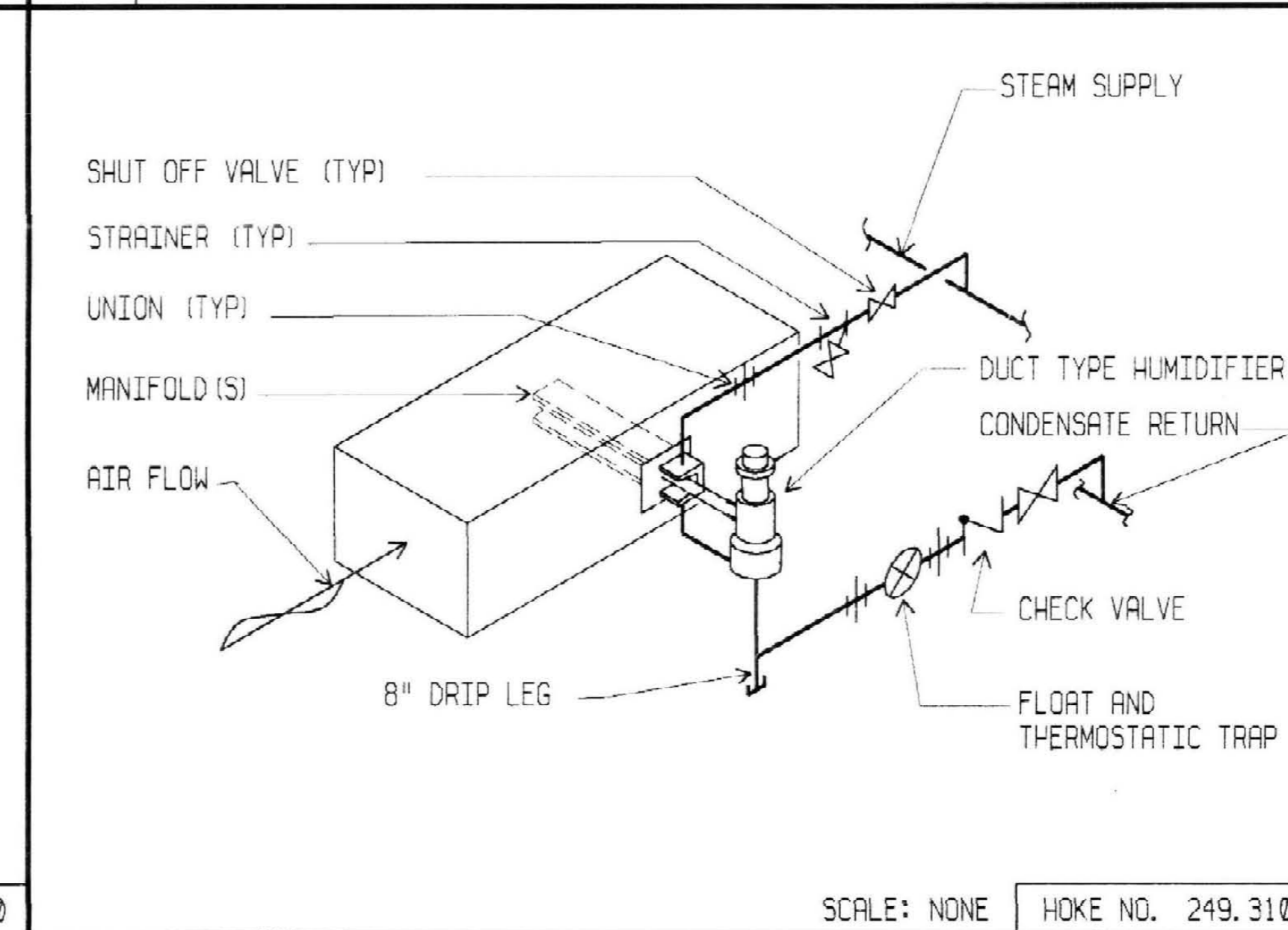
A COOLING COIL WITH 2WAY VALVE



B HIGH PRESSURE END OF MAIN DRIP



C RECTANGULAR CEILING DIFFUSER



D STEAM HUMIDIFIER PIPING DETAIL

RECORD DRAWINGS DATE: 11-22-11
 These record drawings have been prepared, in part, on the basis of information compiled and furnished by others. The accuracy of the information and the drawings are not guaranteed by the engineer. Any information or drawings which have been incorporated into this document as a record are shown as they were received.

STAGES & PHASE CONSULTING ENGINEERS, INC.
 University of Kentucky Design & Construction Approval
 Director
 Date: 11/27
 Drawn by: JEB
 Check by:
 Revisions:

M-26
 HOSPITAL ADDITION

ALBERT B. CHANDLER MEDICAL CENTER UNIVERSITY OF KENTUCKY HOSPITAL EXPANSION & RENOVATION

OMNISCIM Joint Venture Architects
 In Association with Hellmuth, Obata, & Kassabaum
 255 Hazardous Blvd., Lexington, KY 40504, Ph: 606-253-2045
 828 S. Broadway, Lexington, KY 40508, Ph: 606-254-6223

Hellmuth, Obata, & Kassabaum, Inc.
 M-E-P Engineering
 100 North Broadway, St. Louis, Mo. 63102
 Ph: 314-431-2000

DETAIL: 22-11
 PROJECT NO. 304.1
 SHEET PACKAGE #