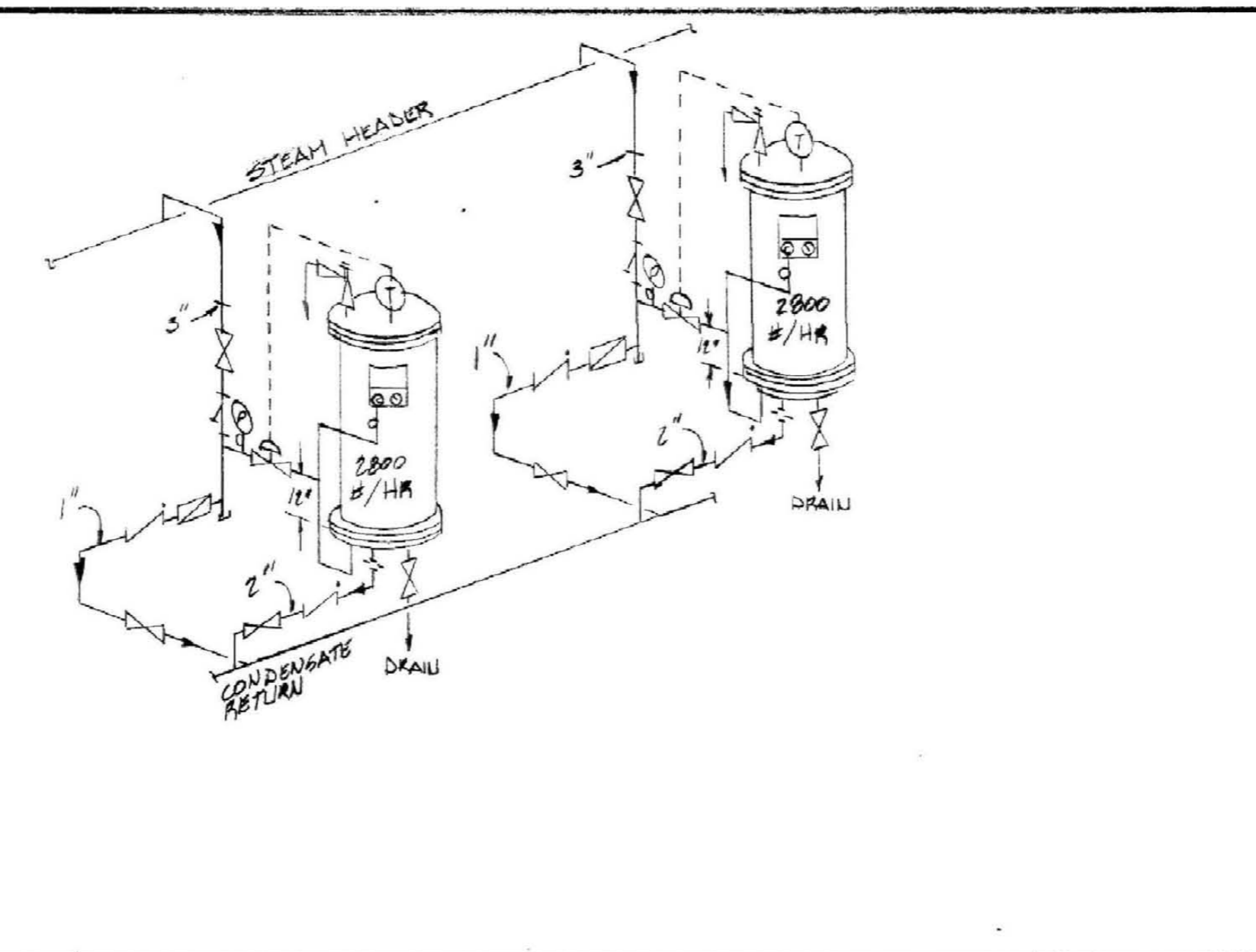
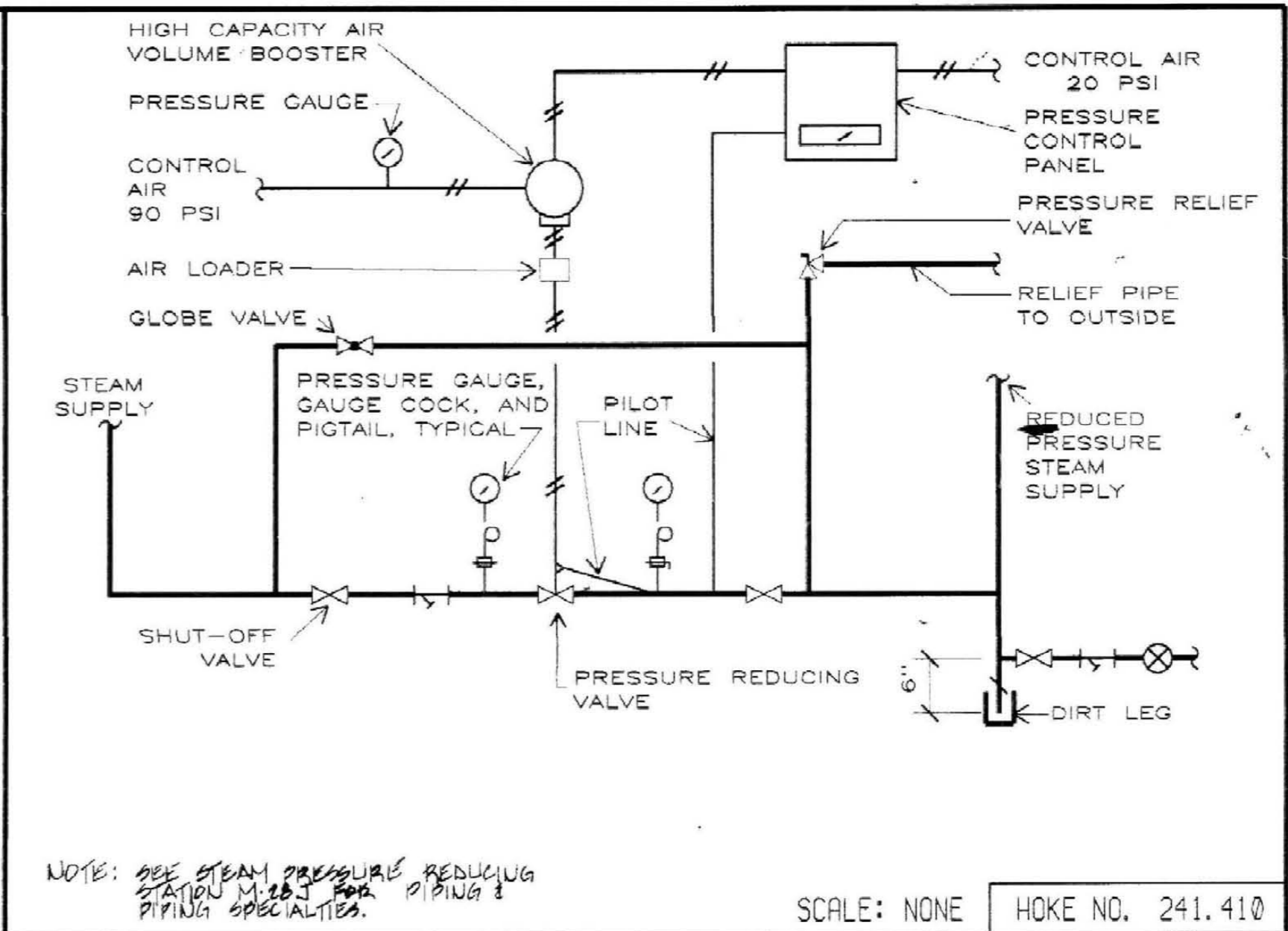


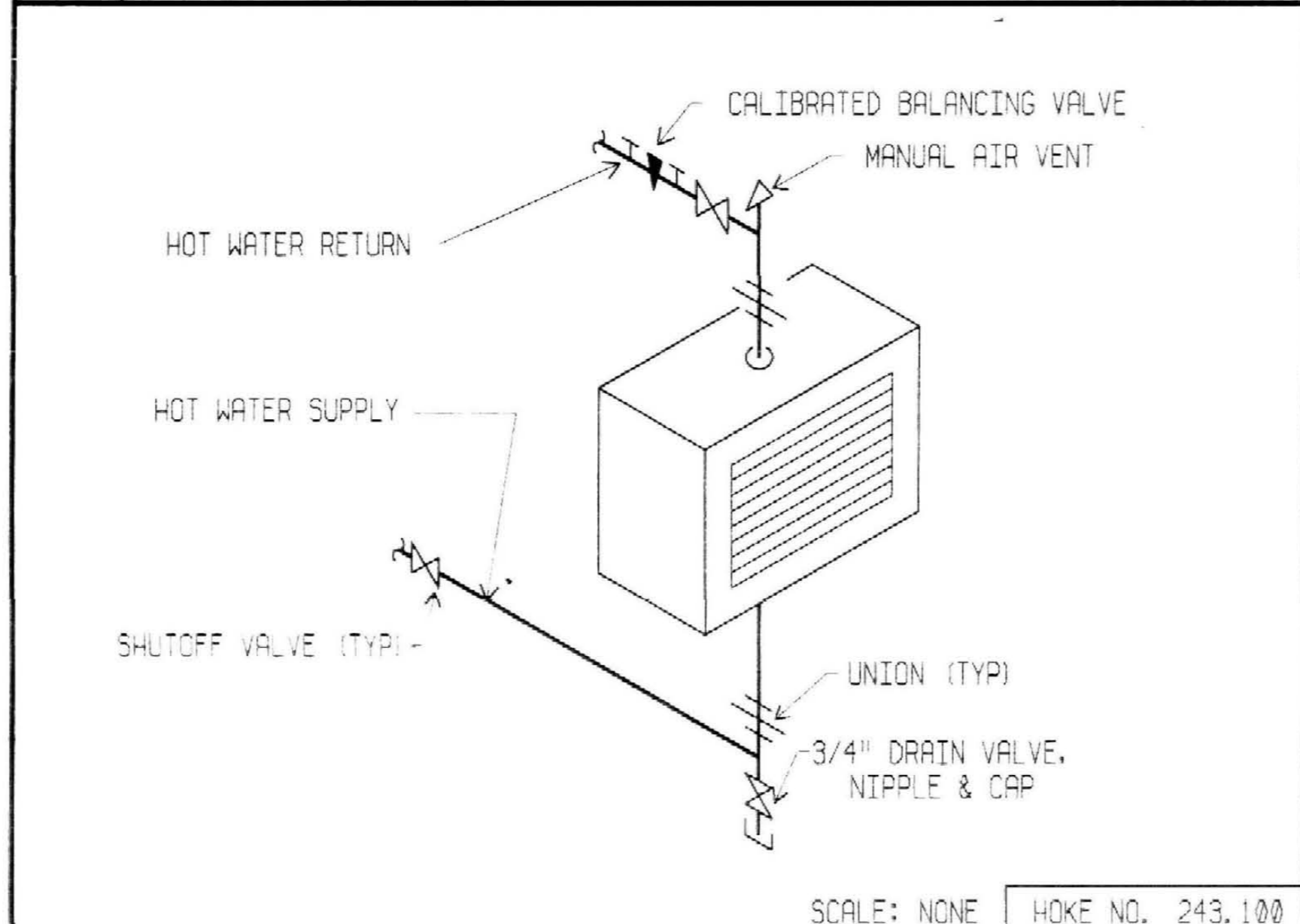
I DUPLEX CONDENSATE RETURN PUMP



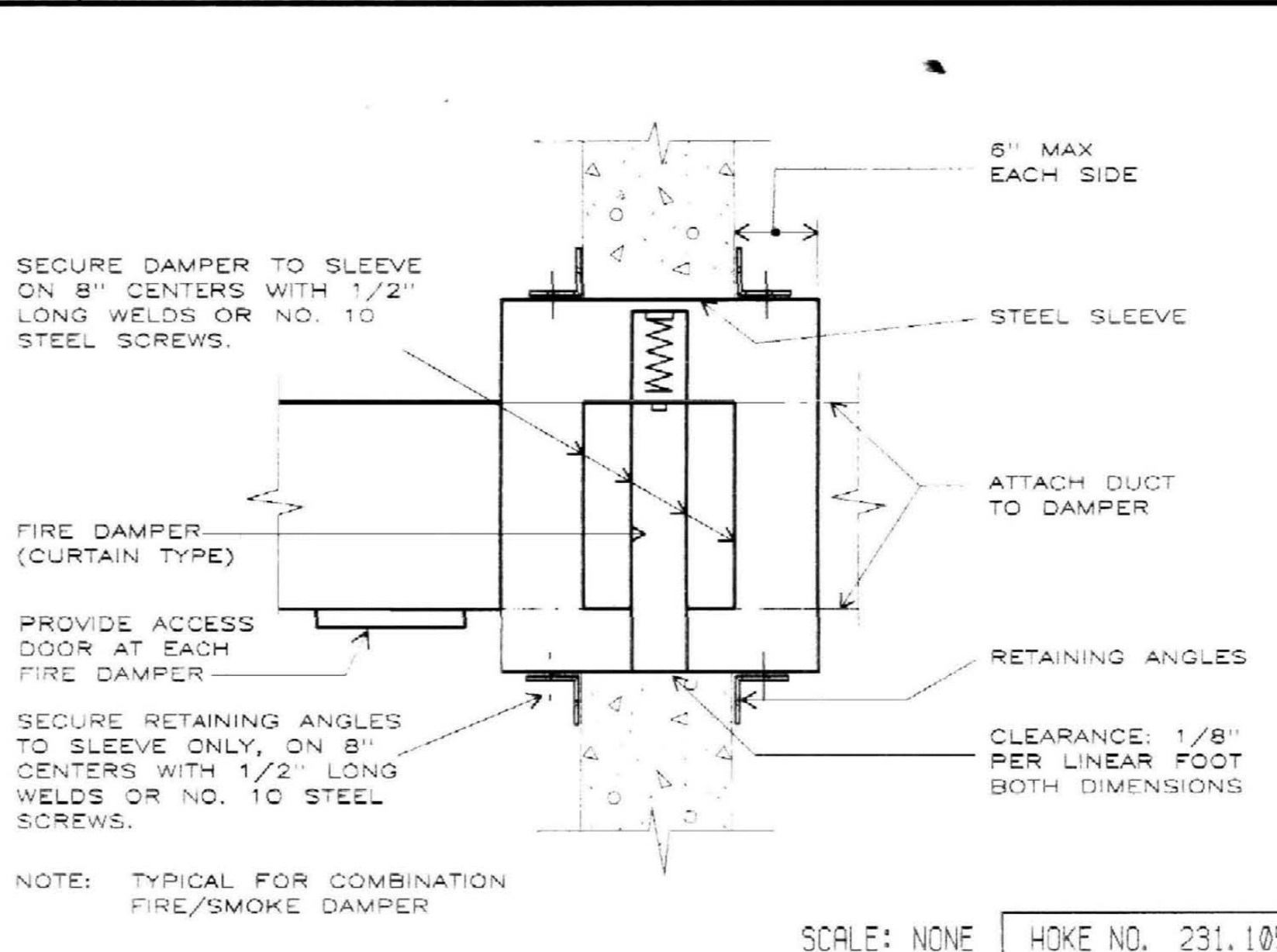
E WATER HEATER STEAM PIPING



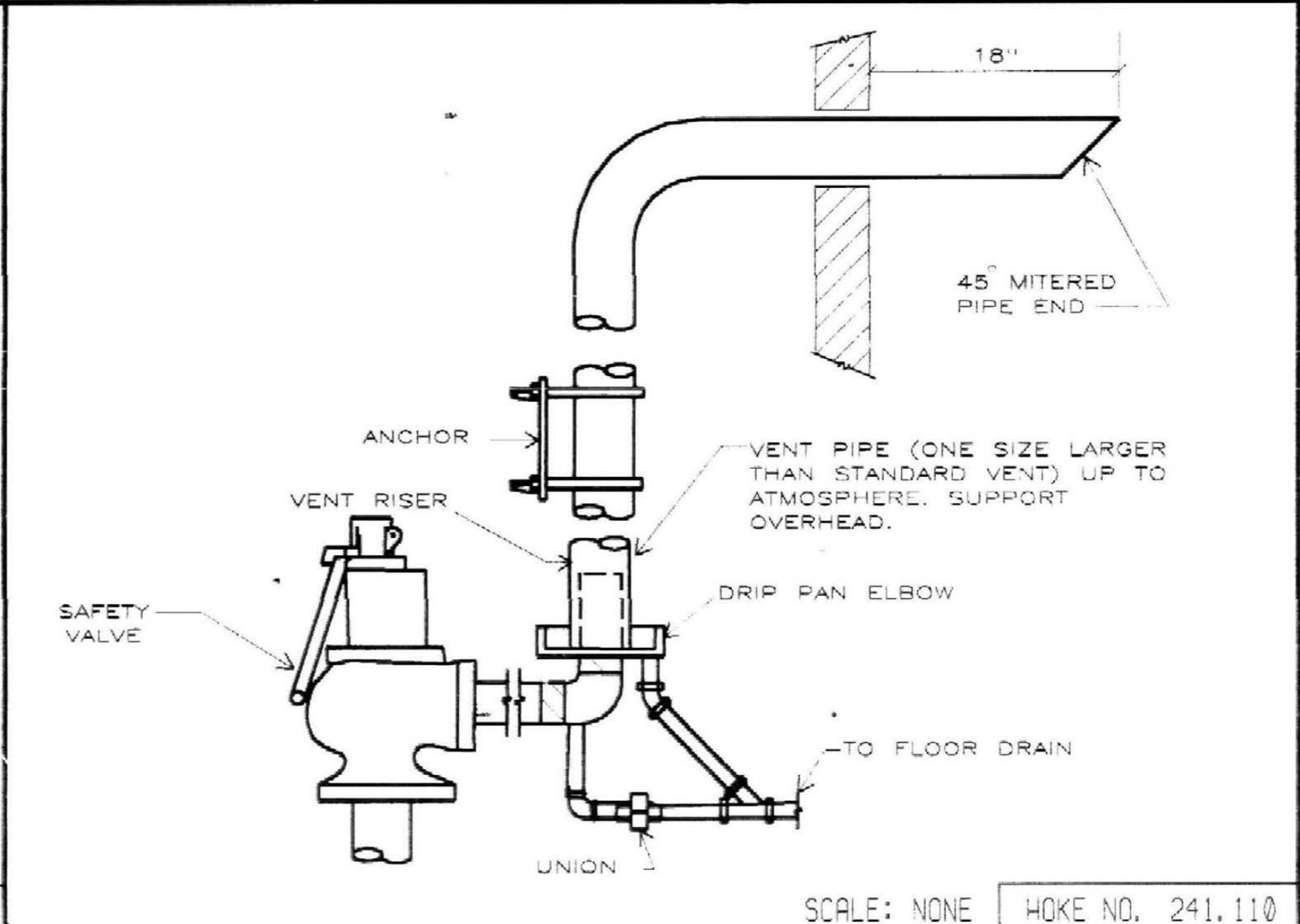
A STEAM PRESSURE REDUCING CONTROL



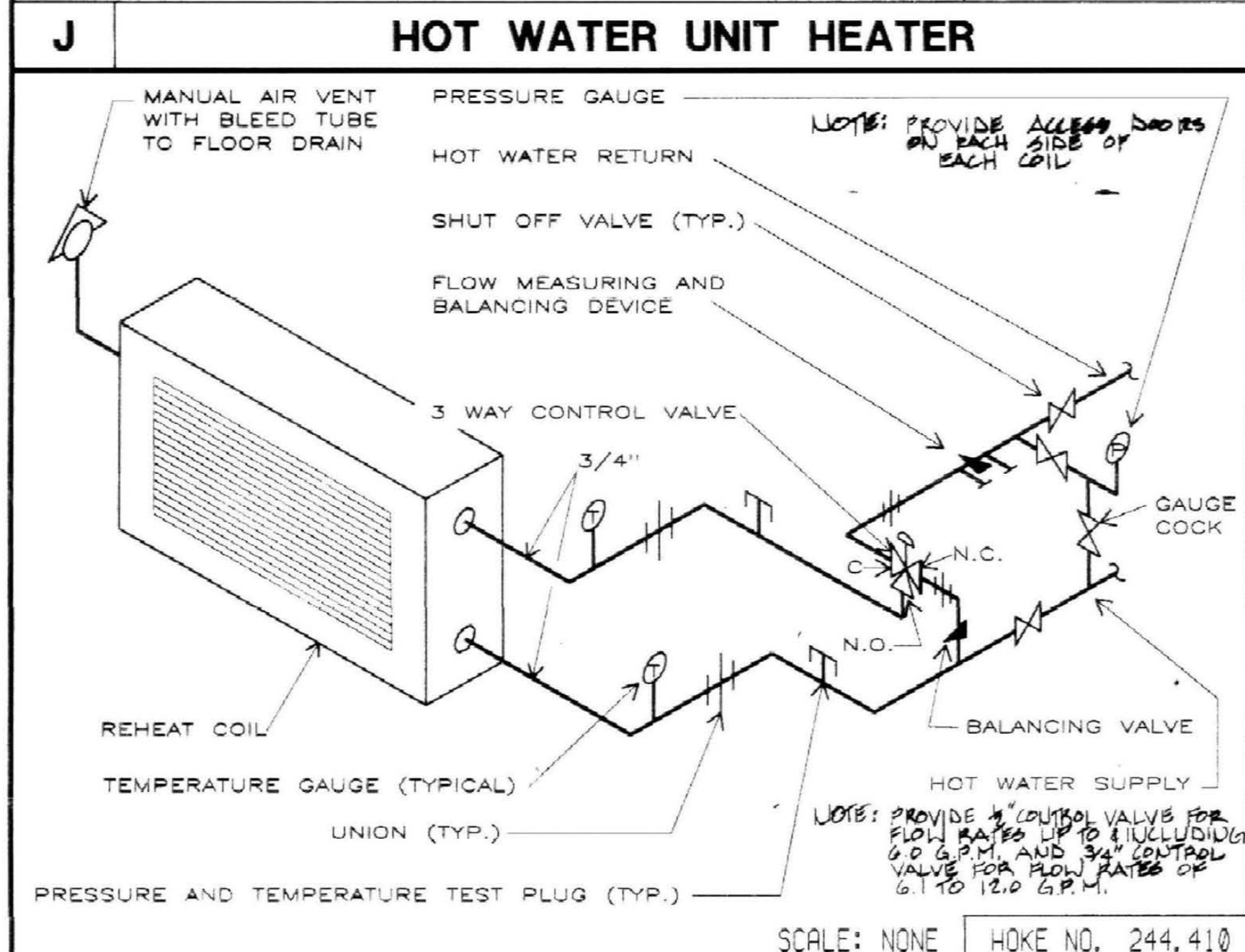
J HOT WATER UNIT HEATER



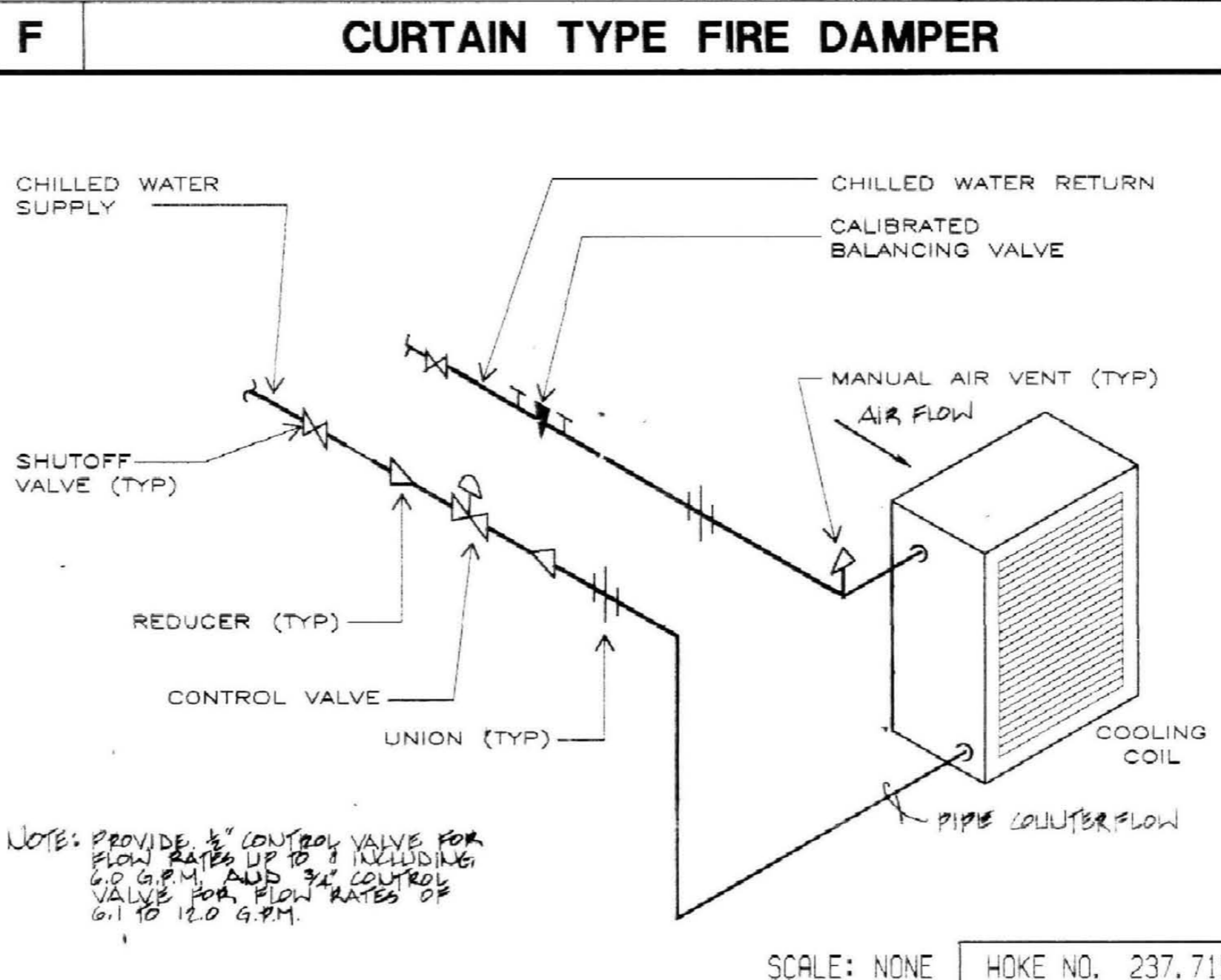
F CURTAIN TYPE FIRE DAMPER



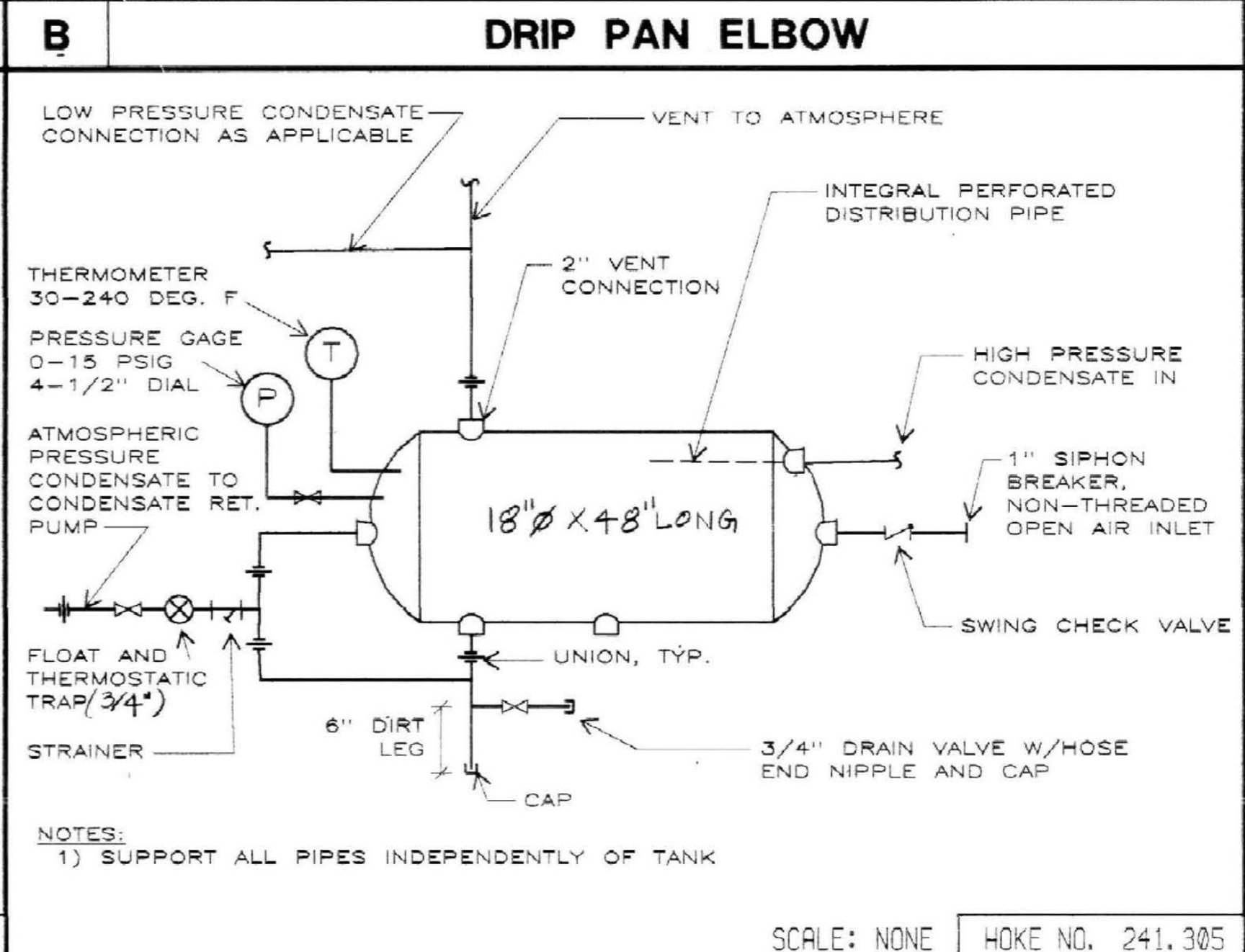
B DRIP PAN ELBOW



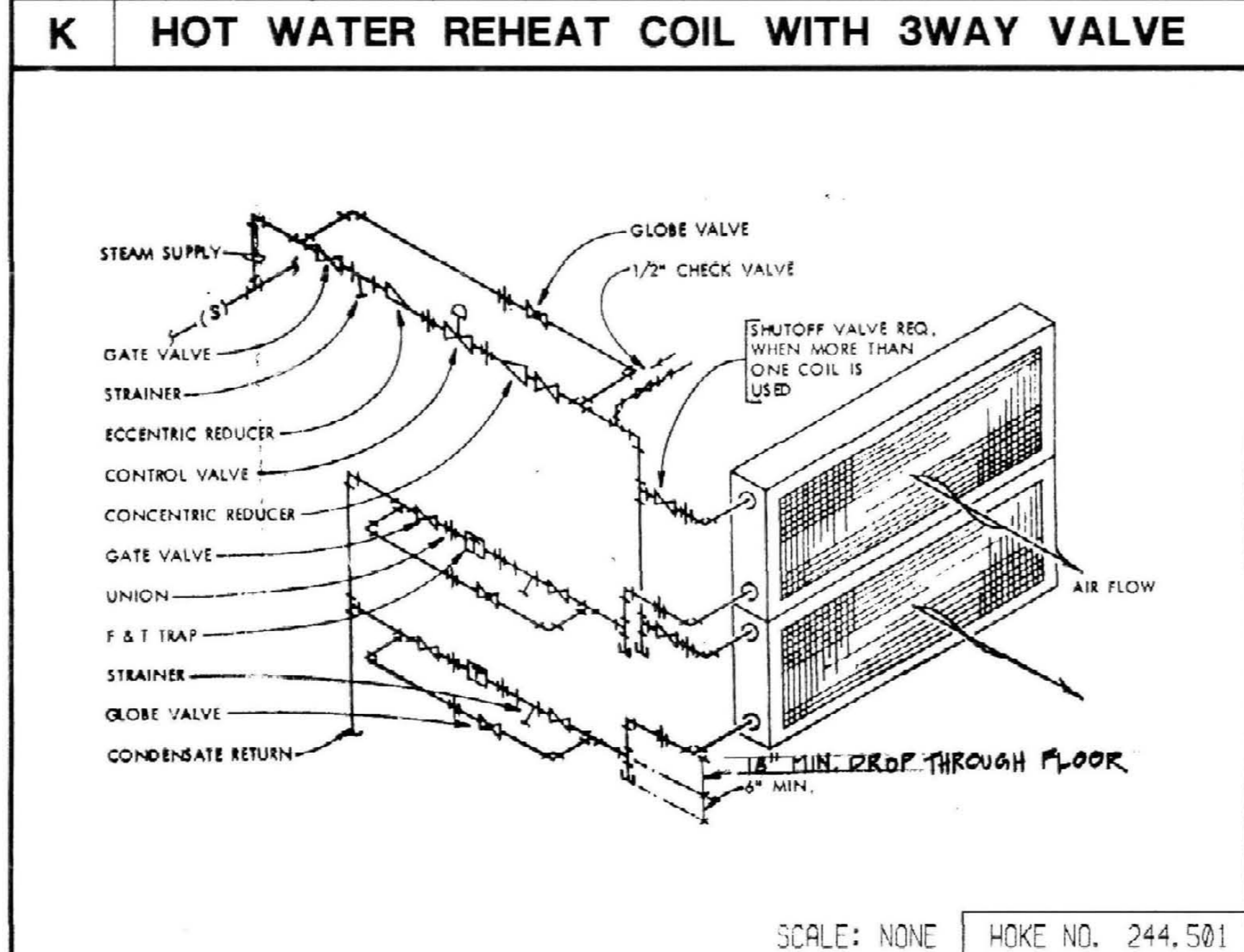
K HOT WATER REHEAT COIL WITH 3WAY VALVE



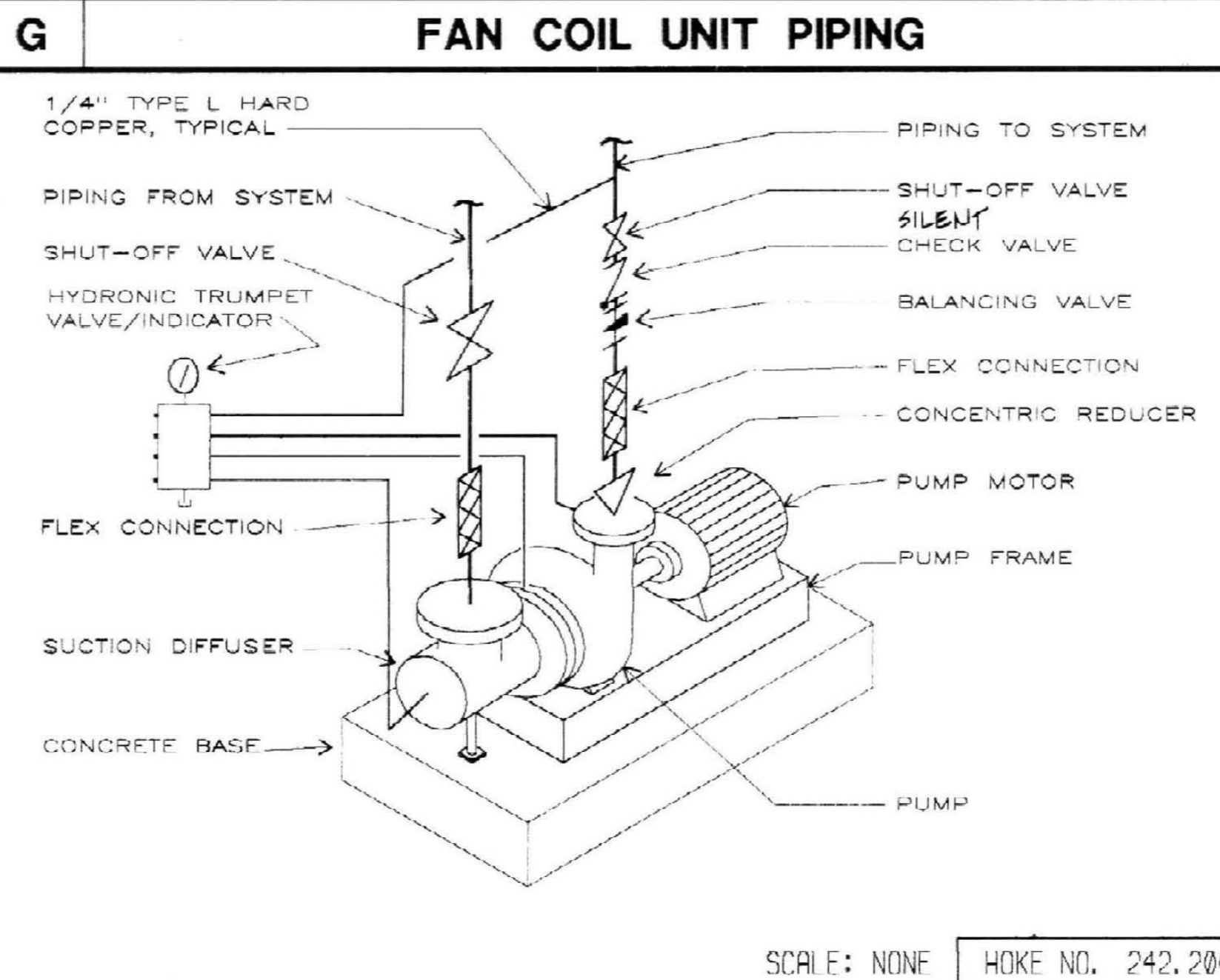
G FAN COIL UNIT PIPING



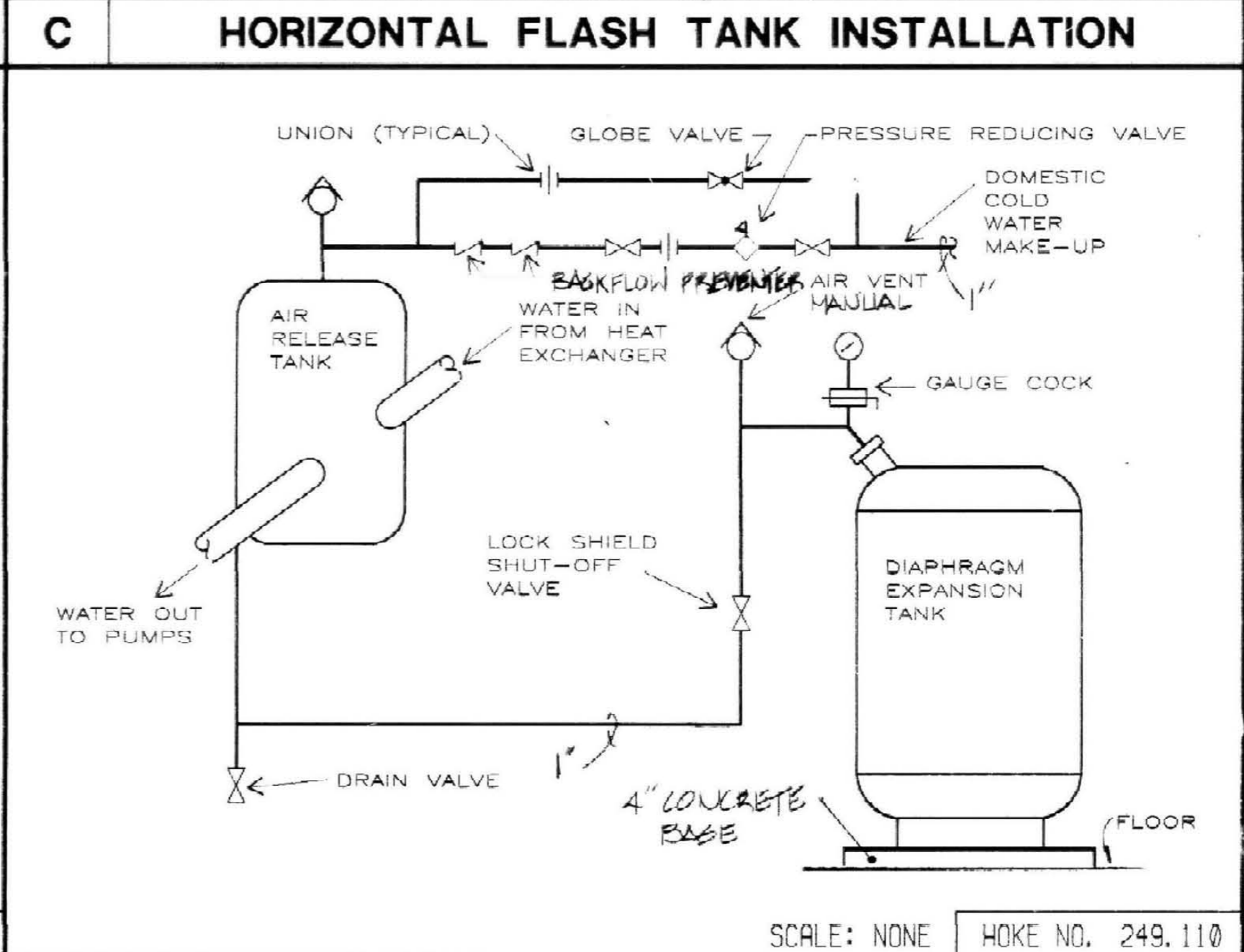
C HORIZONTAL FLASH TANK INSTALLATION



L STEAM COIL



H END SUCTION PUMP PIPING



D DIAPHRAGM EXPANSION TANK

Drawings Refer to Sheet M-25 - Steam Coil Piping Diagram:
 Add vacuum breaker consisting of 1/2" valve and check valve on each condensate piping leaving 100% outside air steam coils, AHU-6, 7, 8, 9 and 11. (A-2)
 Drawings Refer to Sheet M-25 - Air Terminal Unit with Heating Coil:
 Add the following note:
 Provide access doors on entering and leaving side of heating coil.

RECORD DRAWINGS DATE: 10-22-97
 These drawings have been prepared in part on the basis of information furnished by others. The Engineer will not be responsible for any errors or omissions in the drawings unless they have been incorporated into the contract as a result.
 STAGES & PETER CONSULTING ENGINEERS, INC.

ALBERT B. CHANDLER MEDICAL CENTER UNIVERSITY OF KENTUCKY HOSPITAL EXPANSION & RENOVATION

OMNI/CMW Joint Venture Architects
 In Association with Hellmuth, Obata, & Kassabaum

Hellmuth, Obata, & Kassabaum, Inc.
 M-E-P Engineering
 100 North Broadway, St. Louis, Mo. 63102
 Ph. 314-421-2000

University of Kentucky
 Design & Construction
 Approval
 Director

HOSPITAL EXPANSION & RENOVATION
 A. B. CHANDLER MEDICAL CENTER
 PROJECT NO. 30A.1
 BID PACKAGE #2

Date: 11/97
 Drawn by: JEB
 Check by:
 Revisions:

RECORDED
 INDEXED
 11/97

M-25

HOSPITAL ADDITION