



Hellmuth, Obata, & Kassabaum, Inc.
M-E-P Engineering
 100 North Broadway, St. Louis, Mo. 63102
 PH 314-451-2800

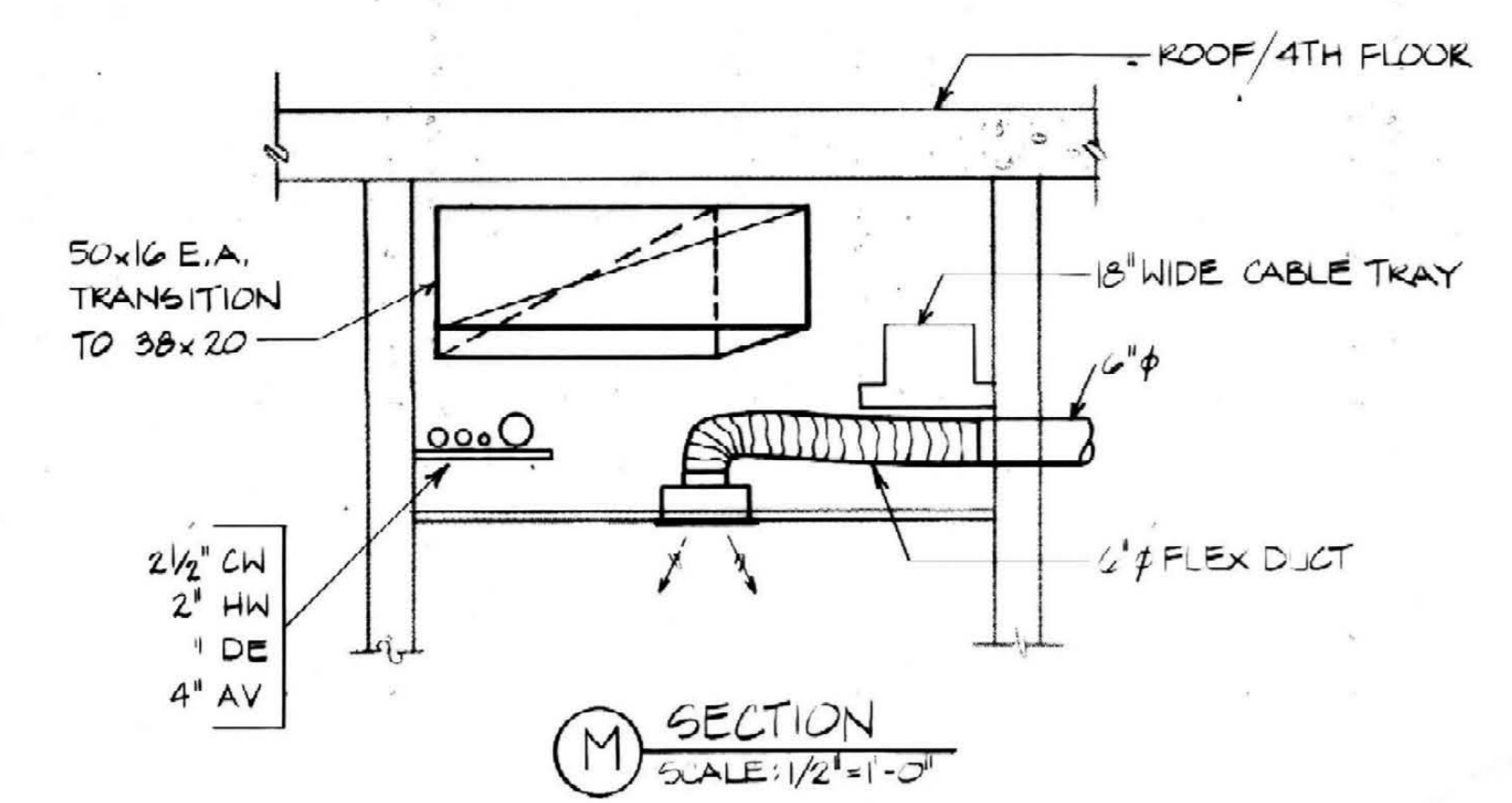
OMNI/CMW Joint Venture Architects
 In Association with Hellmuth, Obata & Kassabaum
 Omni Architects 2365 Harrodsburg Road, Lexington, KY 40504 Ph 606-223-3056
 CMW Architects 308 S. Broadway, Lexington, KY 40528 Ph 606-254-6833

Sections
 University of Kentucky
 Design & Construction
 Approved
 Director
 FEB 05 1988

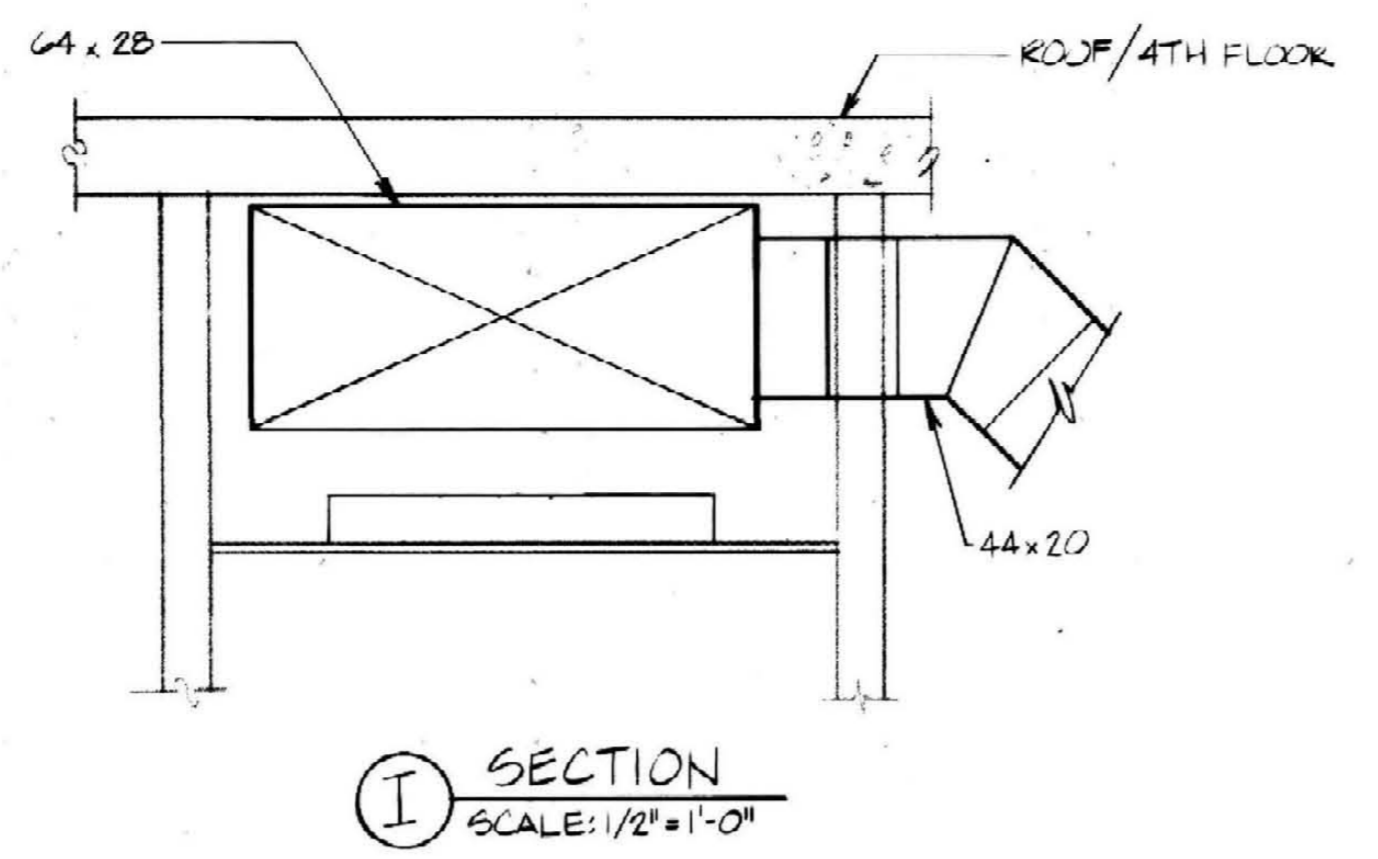
Date
 Drawn by
 Check by
 Revisions

M-23
 AS-1 AS-1
 31 A-2 018719
M-23

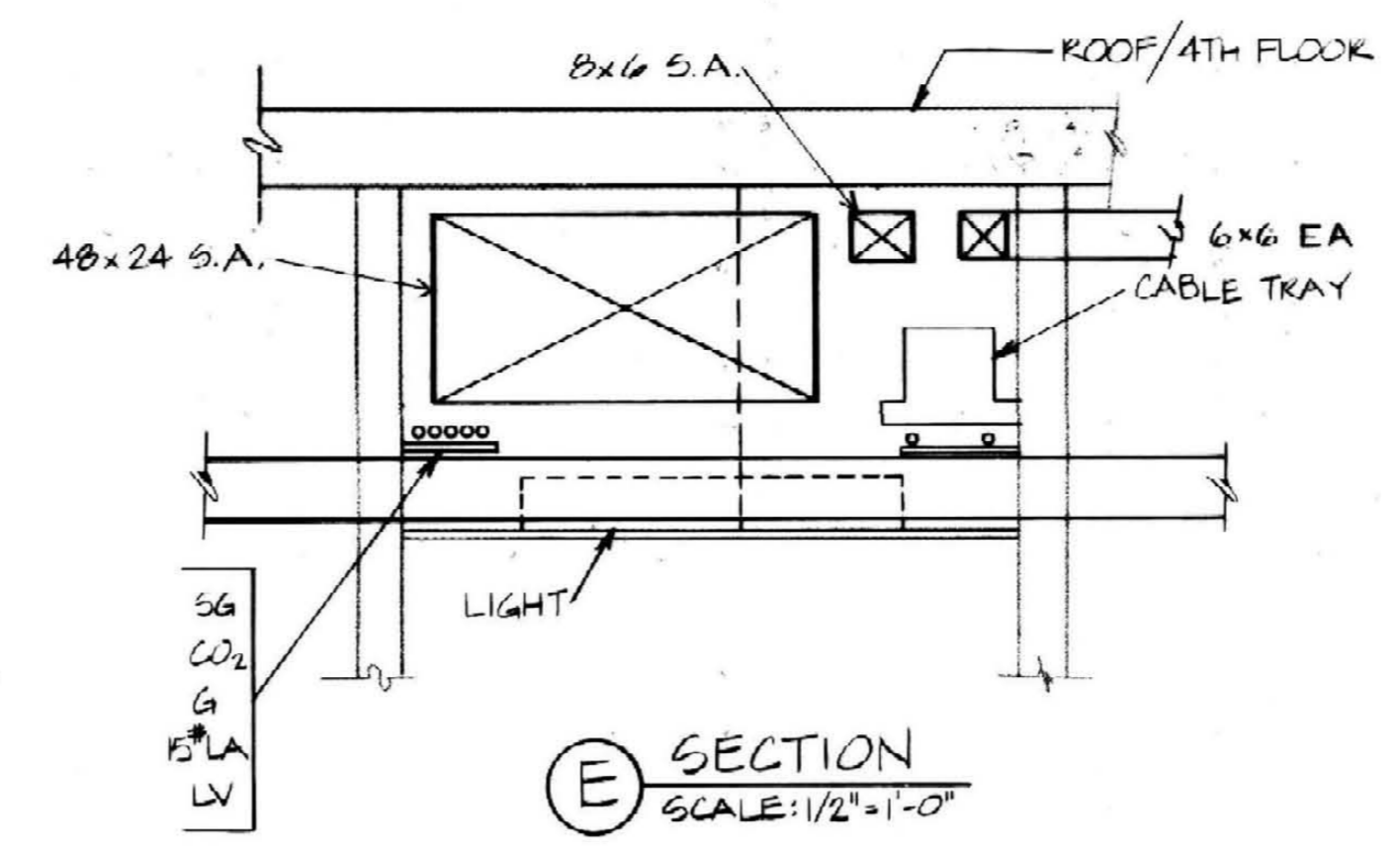
ALBERT B. CHANDLER MEDICAL CENTER UNIVERSITY OF KENTUCKY HOSPITAL EXPANSION & RENOVATION



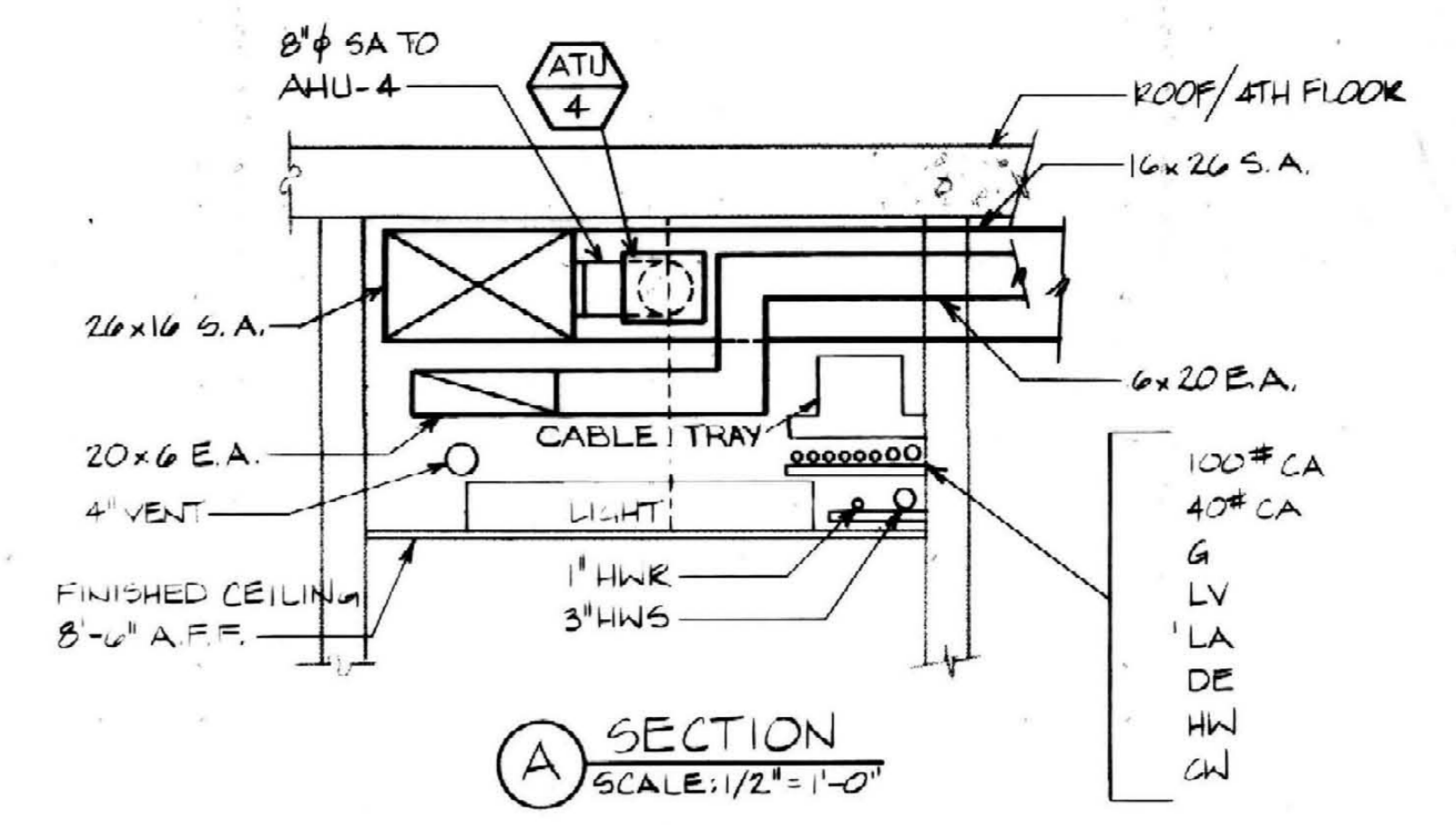
M SECTION
 SCALE: 1/2" = 1'-0"



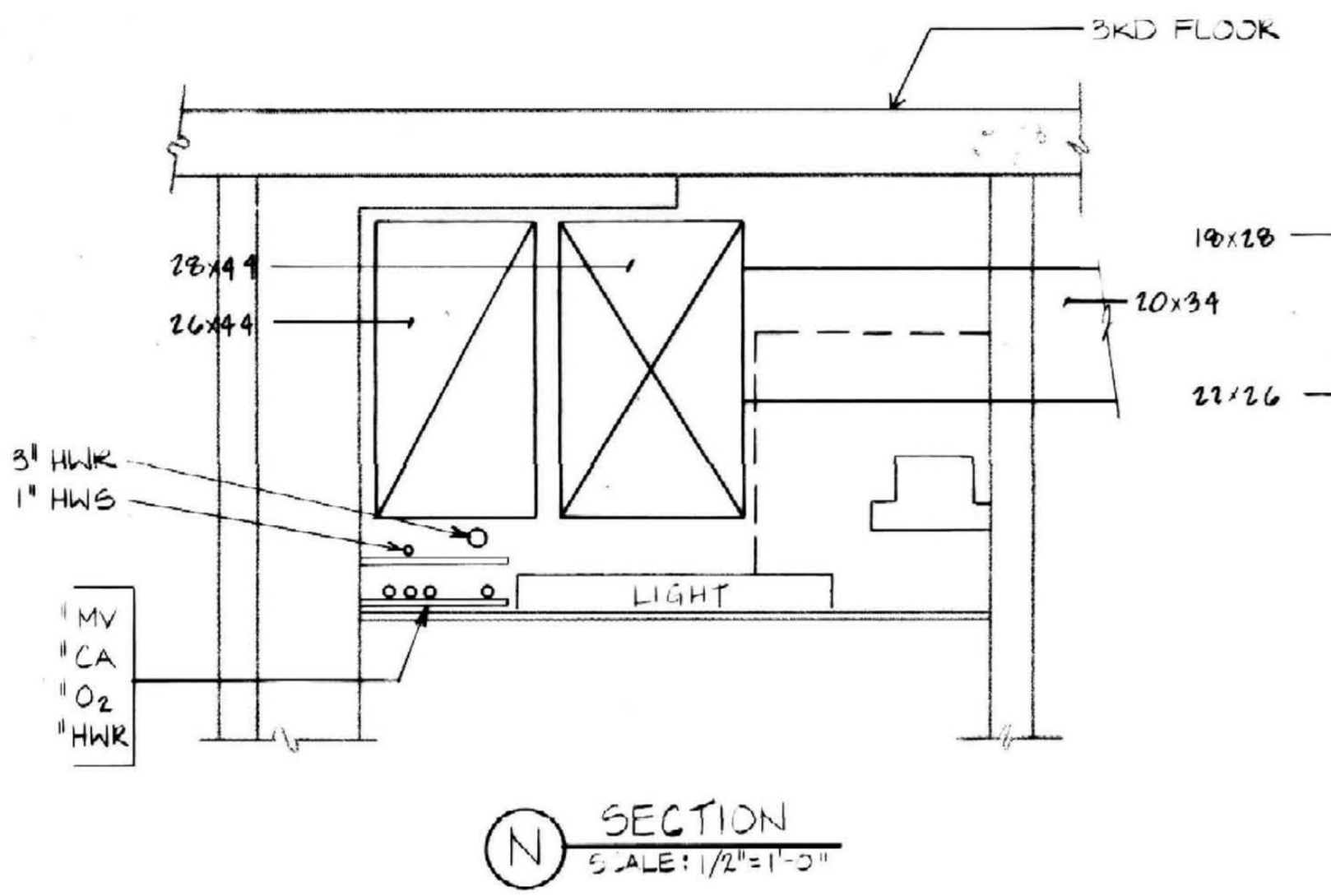
I SECTION
 SCALE: 1/2" = 1'-0"



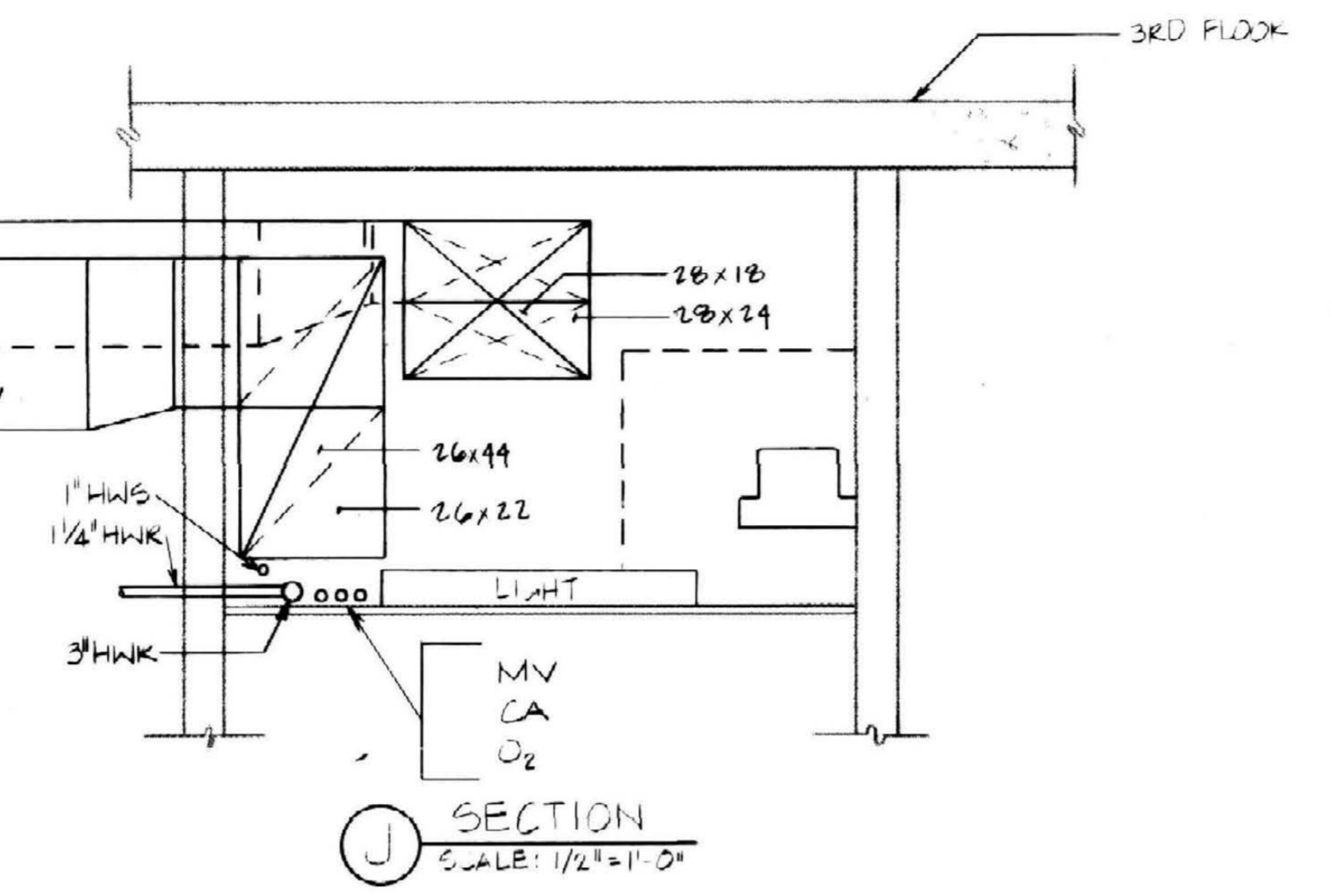
E SECTION
 SCALE: 1/2" = 1'-0"



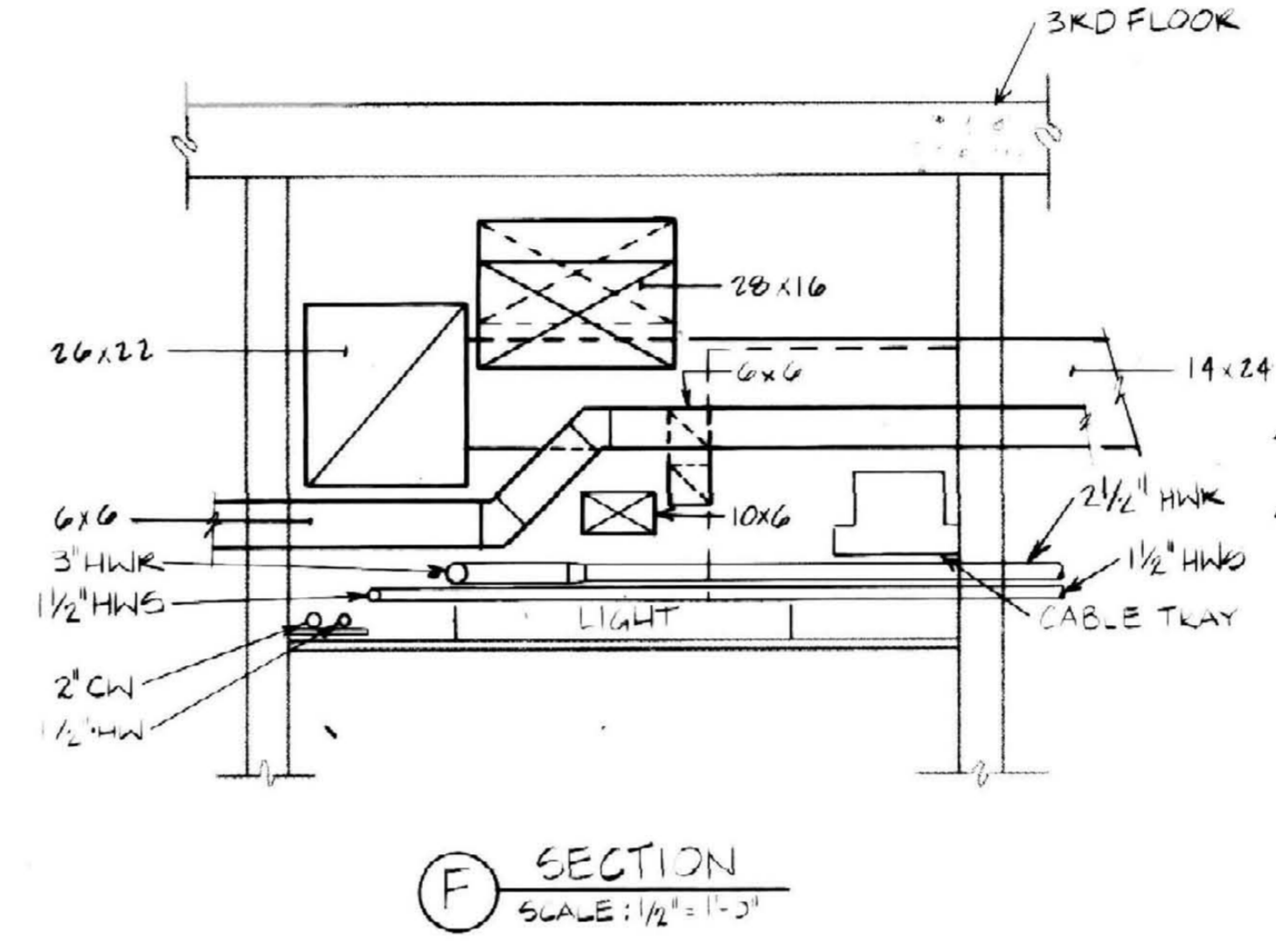
A SECTION
 SCALE: 1/2" = 1'-0"



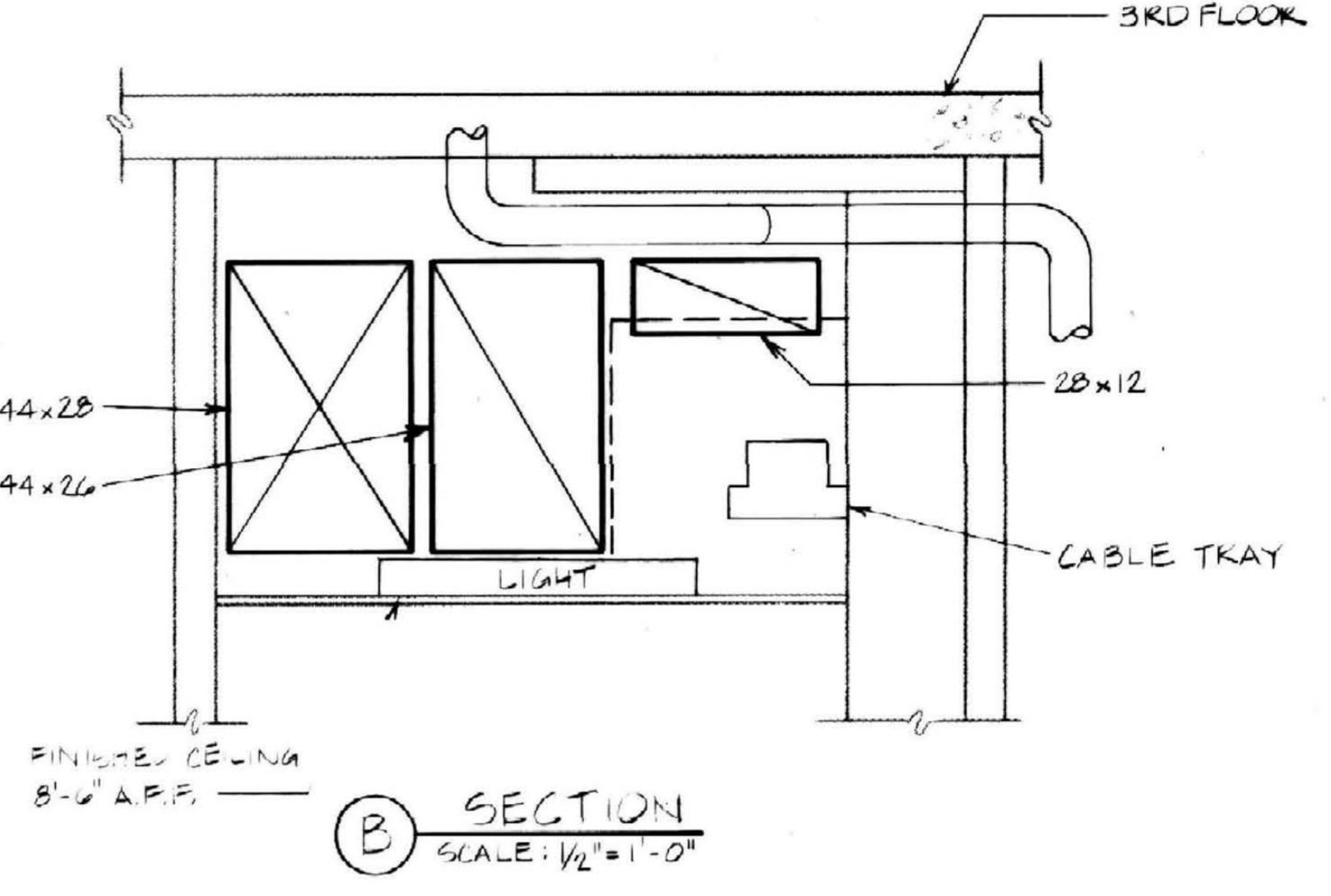
N SECTION
 SCALE: 1/2" = 1'-0"



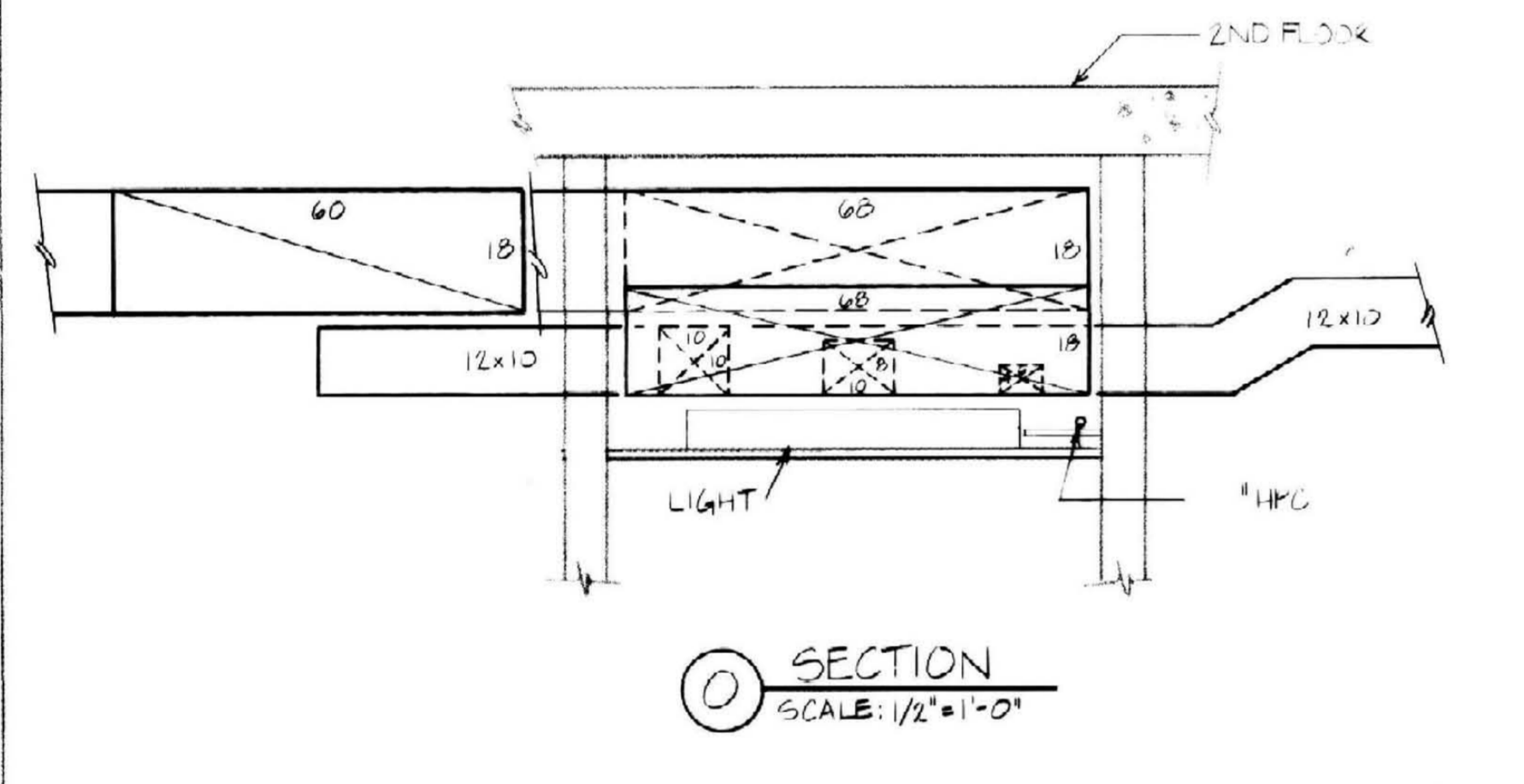
J SECTION
 SCALE: 1/2" = 1'-0"



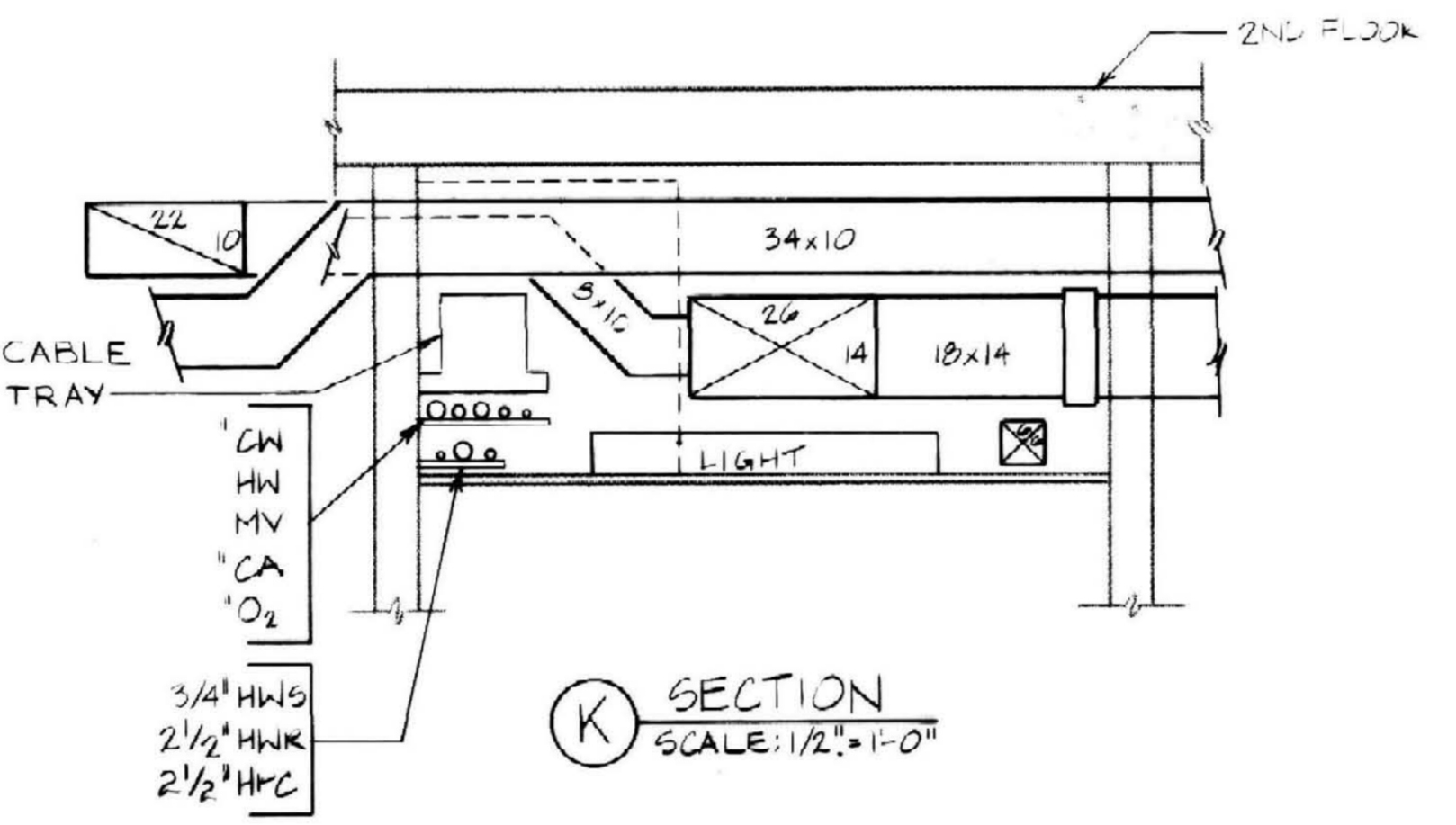
F SECTION
 SCALE: 1/2" = 1'-0"



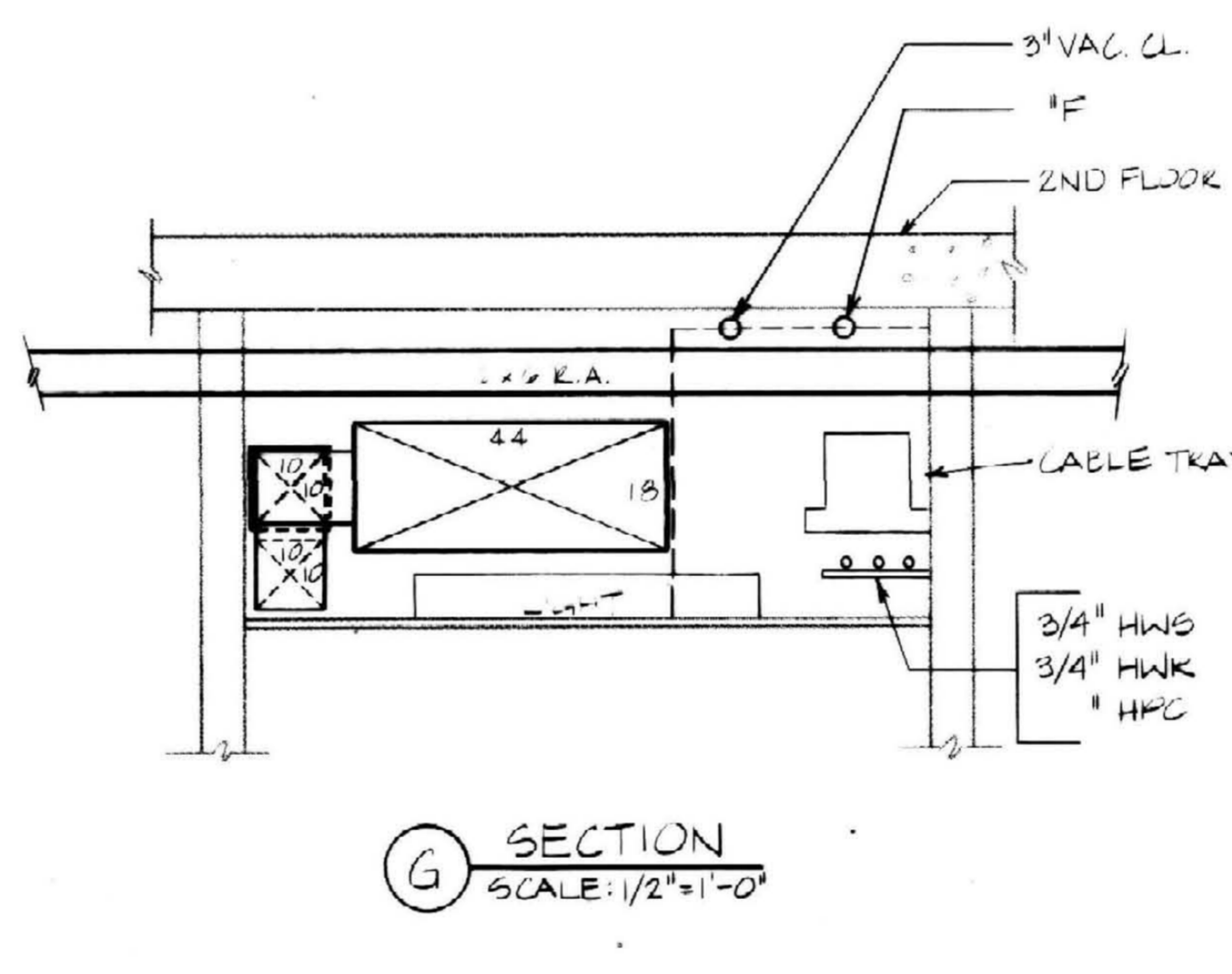
B SECTION
 SCALE: 1/2" = 1'-0"



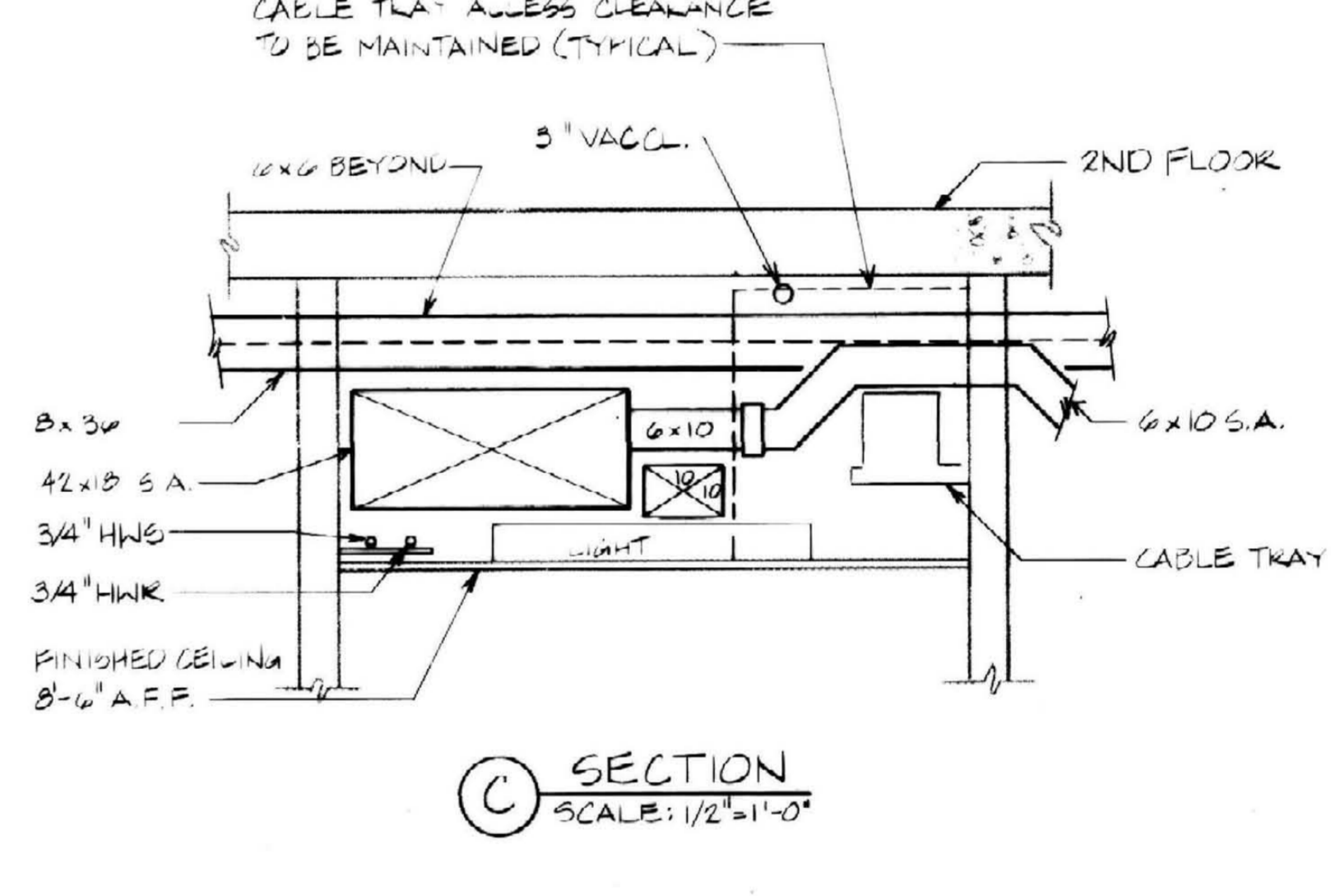
O SECTION
 SCALE: 1/2" = 1'-0"



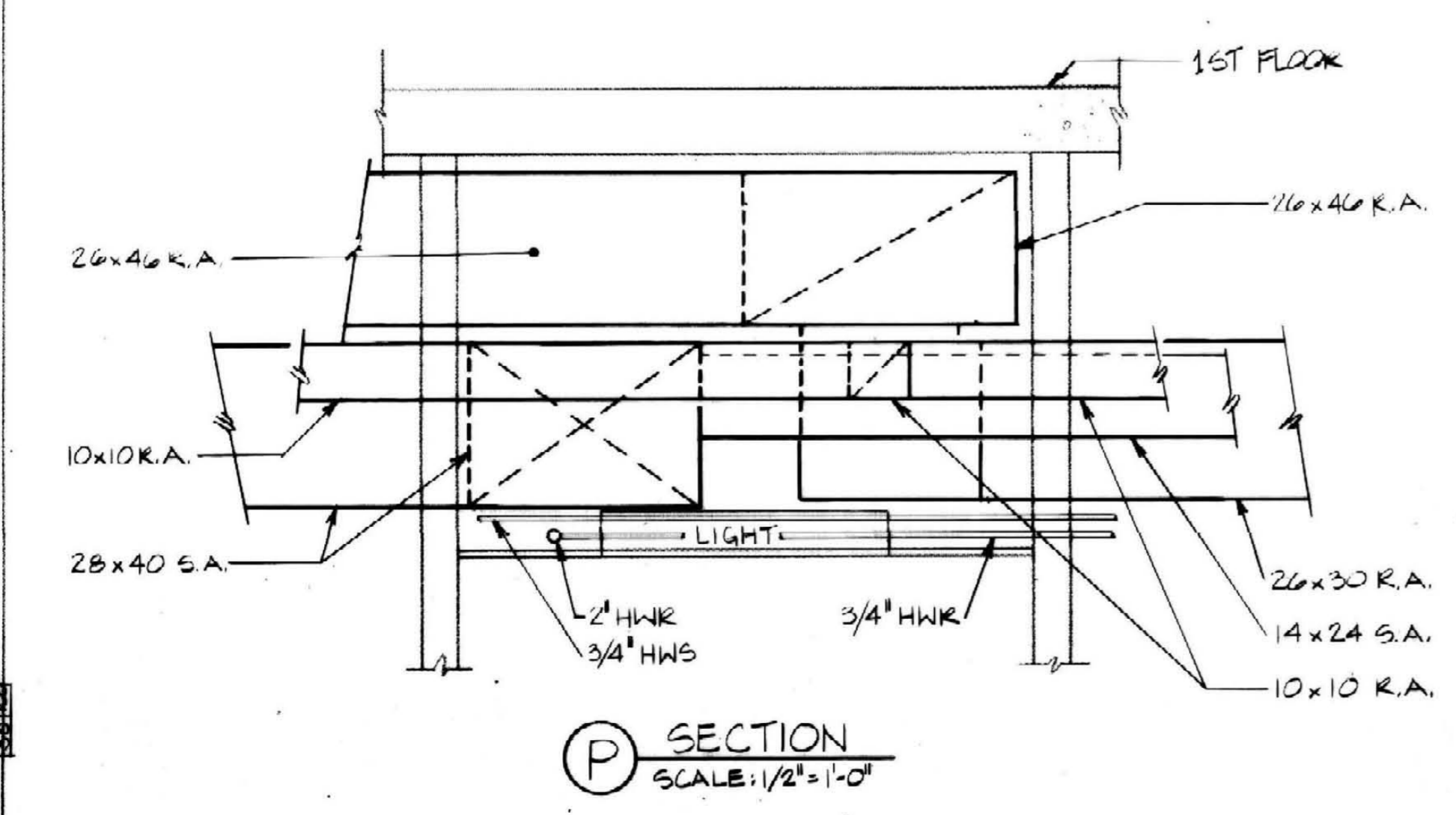
K SECTION
 SCALE: 1/2" = 1'-0"



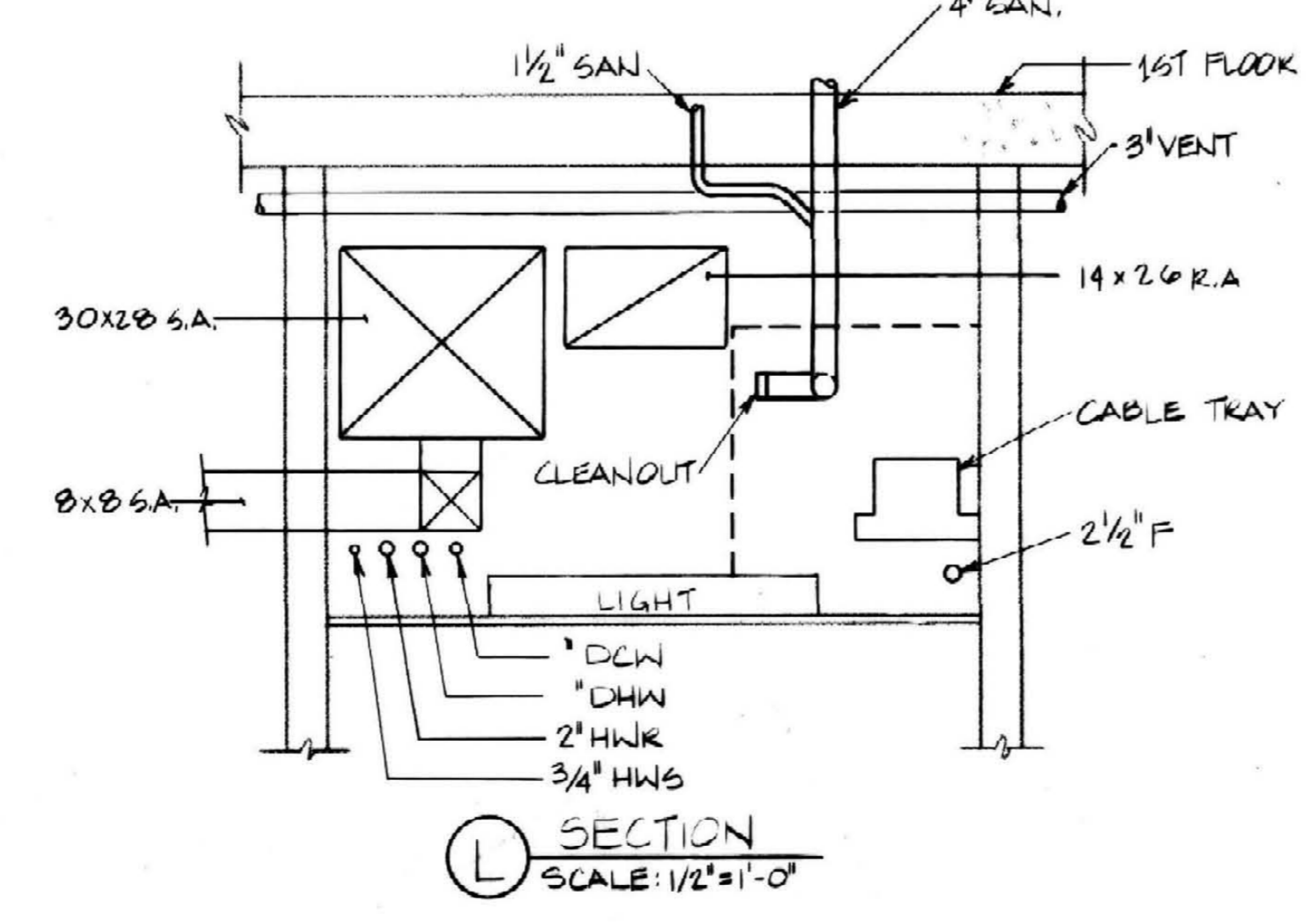
G SECTION
 SCALE: 1/2" = 1'-0"



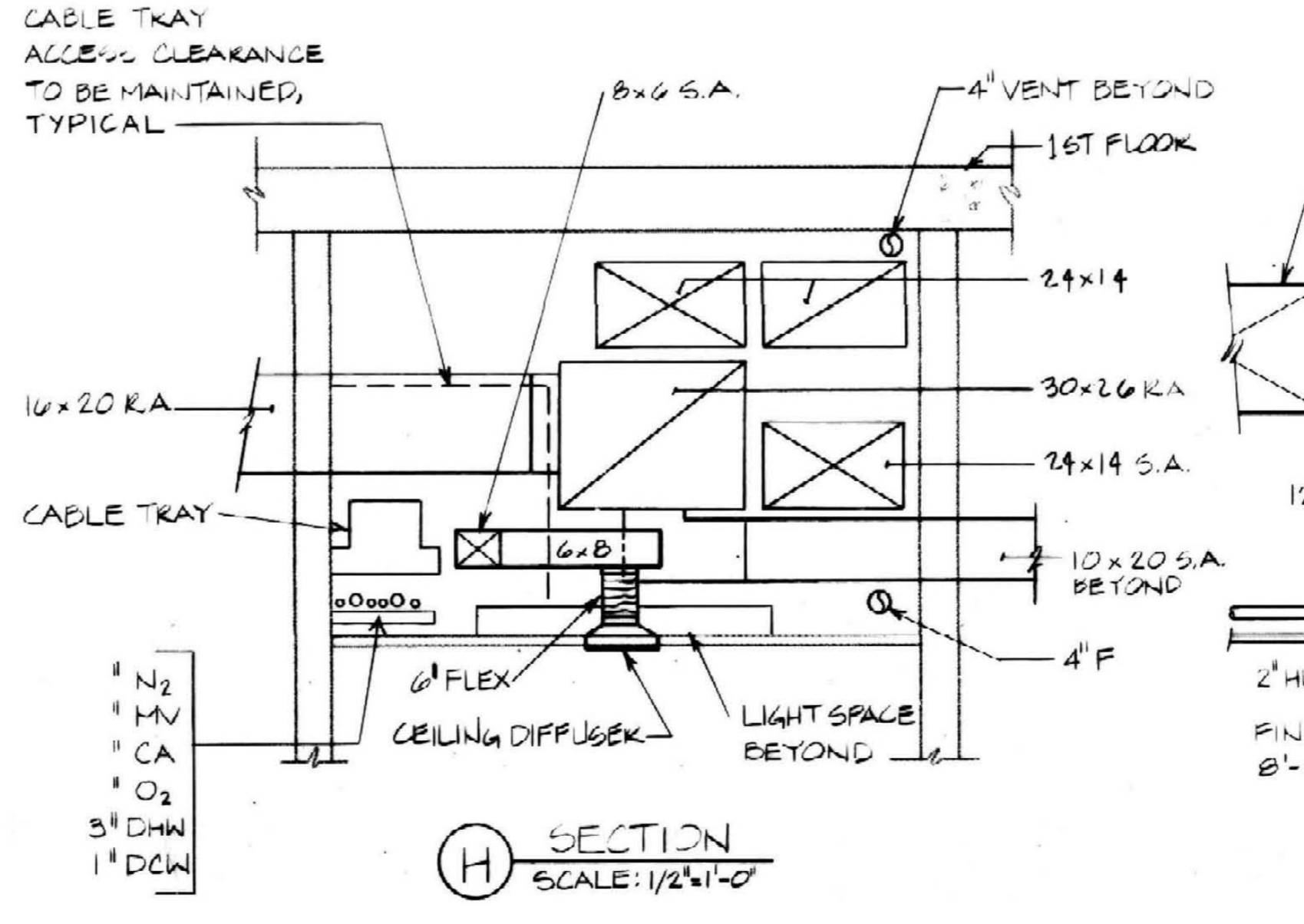
C SECTION
 SCALE: 1/2" = 1'-0"



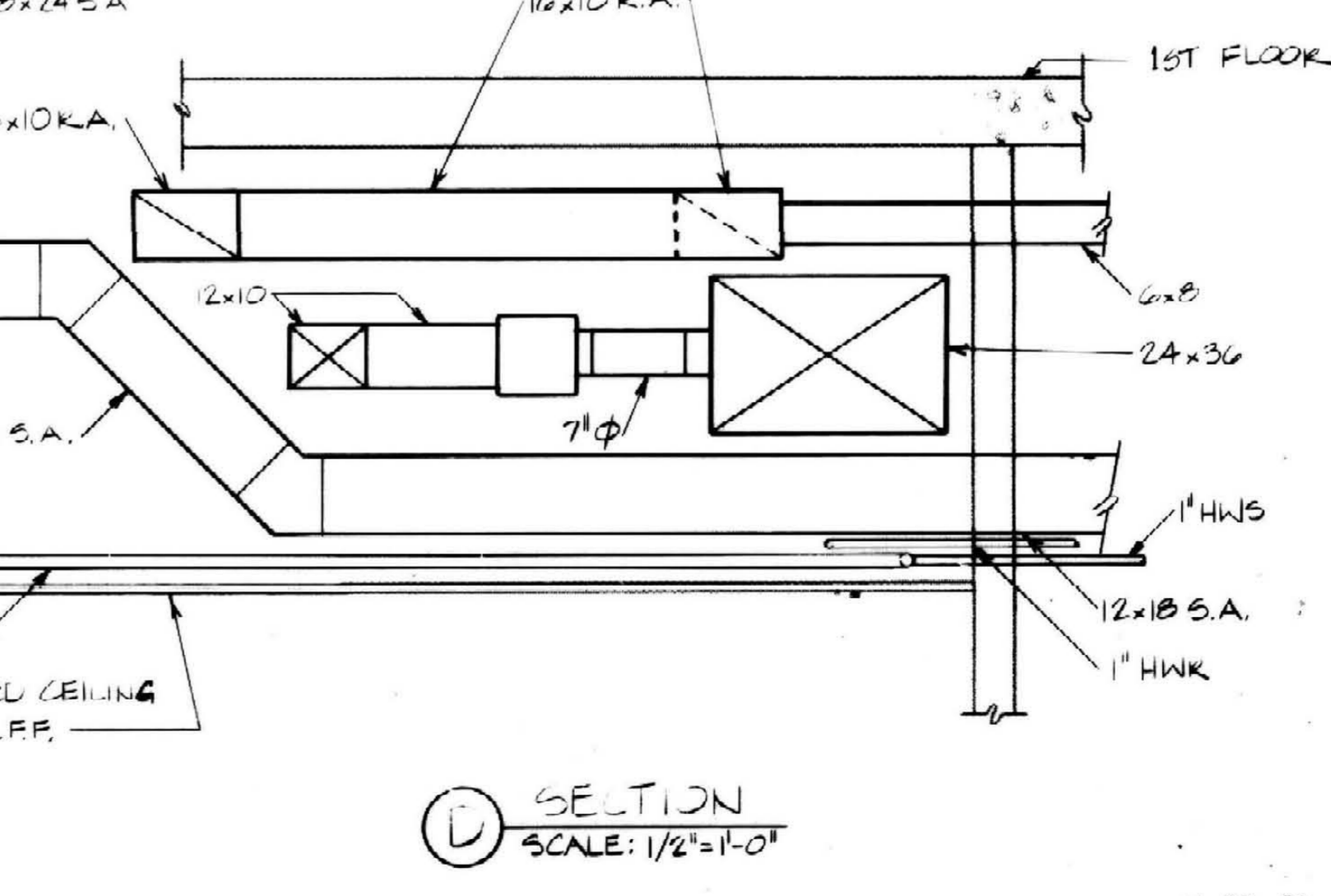
P SECTION
 SCALE: 1/2" = 1'-0"



L SECTION
 SCALE: 1/2" = 1'-0"



H SECTION
 SCALE: 1/2" = 1'-0"



D SECTION
 SCALE: 1/2" = 1'-0"

RECORD DRAWINGS DATE 10-22-85
 These record drawings have been prepared, in part, on the basis of information compiled and furnished by others. The Engineer will not be responsible for any errors or omissions which have been incorporated into this document as a result.
 STAGGS & FISHER CONSULTING ENGINEERS, INC.