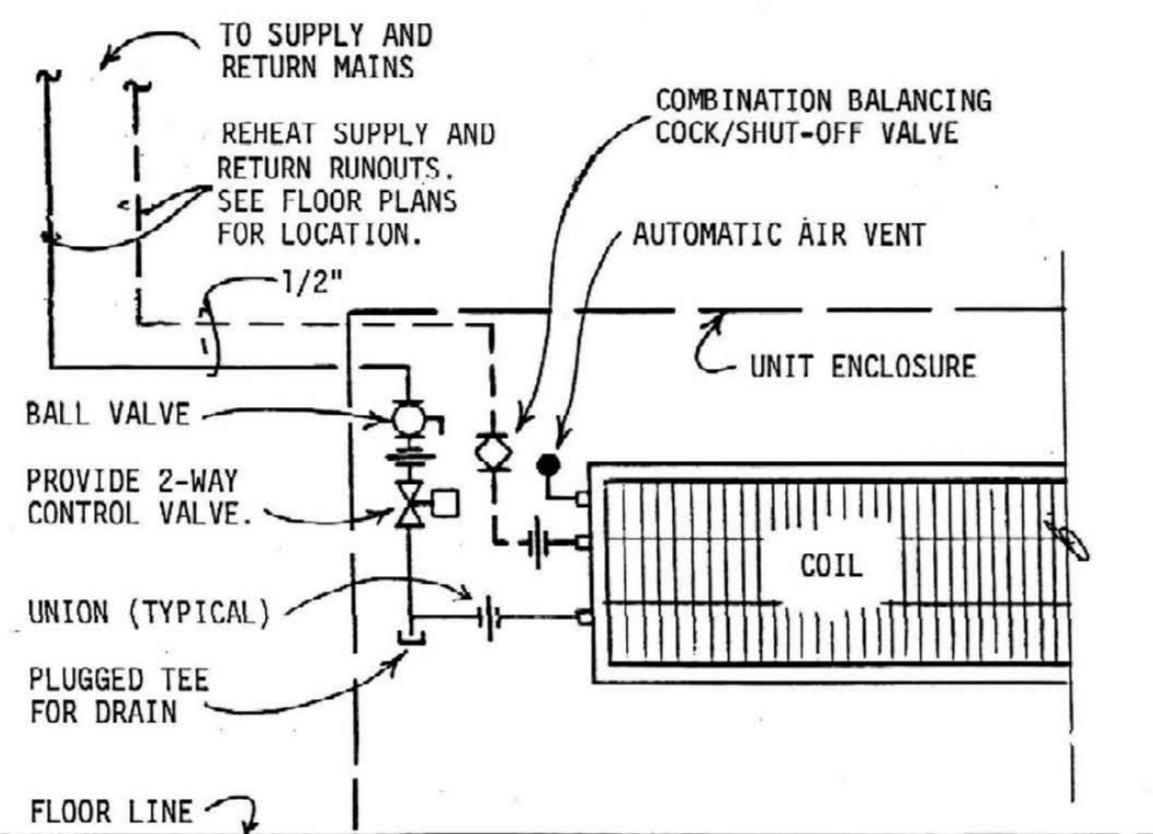


GENERAL INSTALLATION NOTES

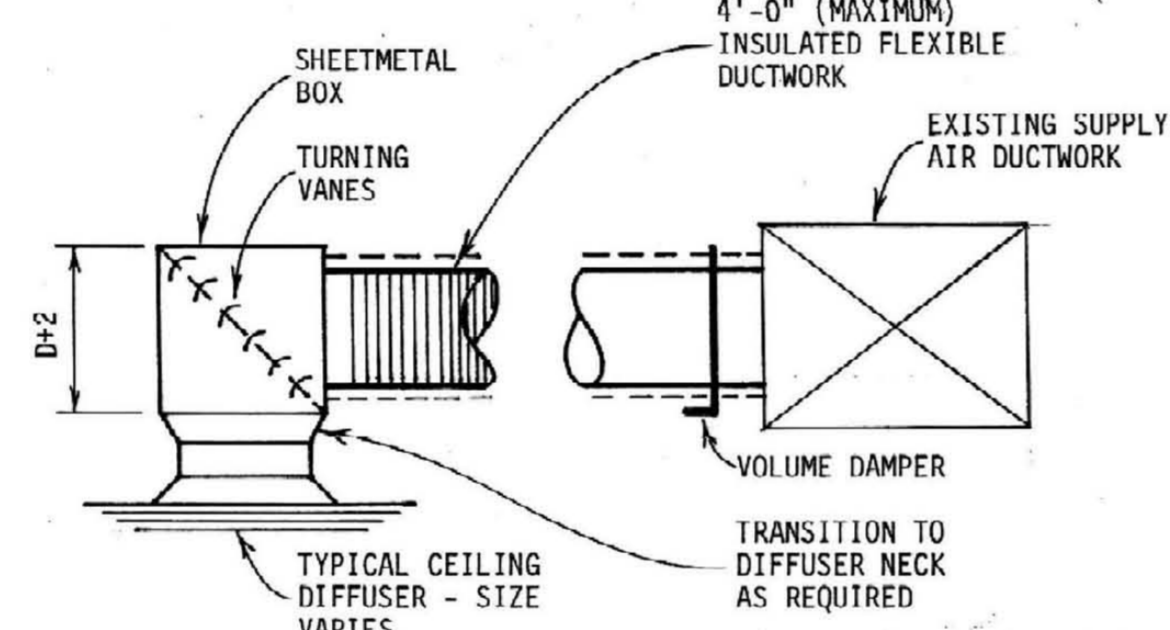
DAMPERS SHALL BE INSTALLED IN ACCORDANCE WITH THE REQUIREMENTS OF THE NATIONAL FIRE PROTECTION ASSOCIATION NO. 90A. "STANDARD FOR THE INSTALLATION OF AIR CONDITIONING AND VENTILATING SYSTEMS," 1985. SEE CODE FOR ALL REQUIREMENTS. THE FOLLOWING STATEMENTS ARE FOR GUIDANCE ONLY.

- PARA. 3-3.2.2.2. - "SHALL BE INSTALLED IN ACCORDANCE WITH THE CONDITIONS OF THEIR LISTING AND THE MANUFACTURER'S INSTALLATION INSTRUCTIONS".
- PARA. 2-1.3.4. "DUCT LININGS SHALL BE INTERRUPTED AT FIRE DAMPERS AND FIRE DOORS SO AS NOT TO INTERFERE WITH THE OPERATION OF DEVICES."
- PARA. 2-1.4.1. A SERVICE OPENING - SHALL BE PROVIDED IN DUCTS ADJACENT TO EACH - FIRE DAMPER, SMOKE DAMPER, AND SMOKE DETECTOR.
- PARA. 2-1.4.2. - SERVICE OPENINGS - SHALL BE IDENTIFIED - NO LESS THAN 1/2" IN HEIGHT -
- PARA. 2-1.3.5. "DUCT COVERINGS SHALL NOT CONCEAL ANY SERVICE OPENING."
- SEE MANUFACTURER'S INSTRUCTIONS FOR:
 - SIZE OF MOUNTING RESTRAINTS AND FASTENING INSTRUCTIONS;
 - CLEARANCE FOR EXPANSION;
 - GAP OF DAMPER SLEEVES;
 - METHOD OF MOUNTING AND FASTENING INSTRUCTIONS OF DAMPER FRAME TO DAMPER SLEEVES.
- ALL DAMPERS SHALL BE U.L. LABELED.

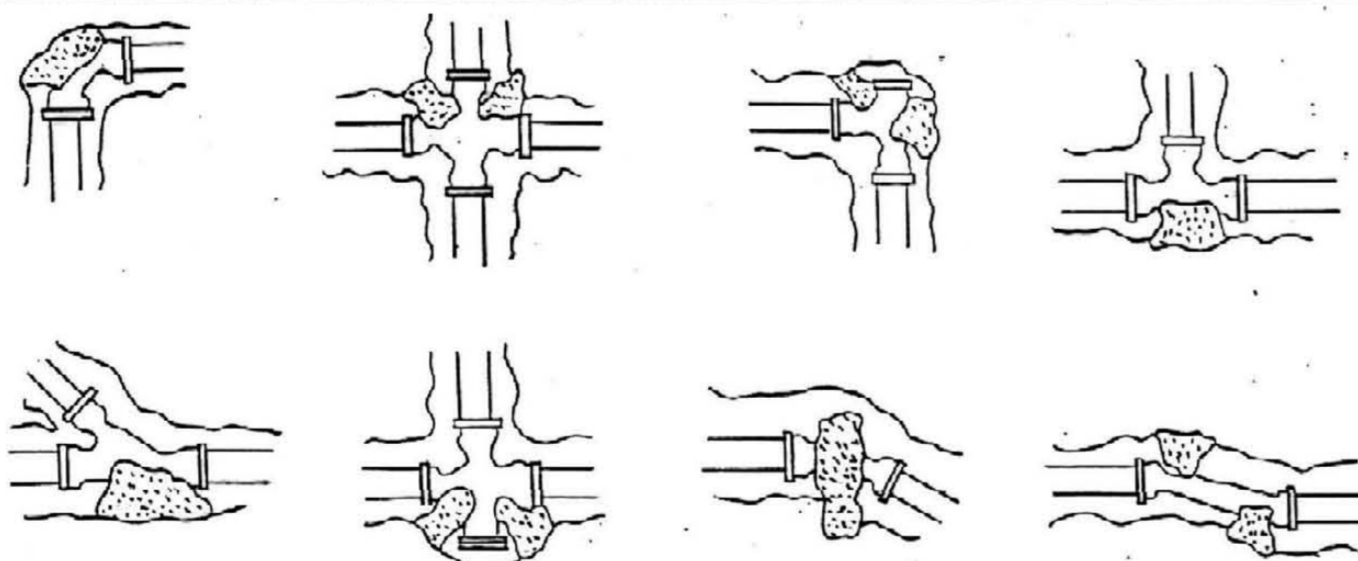
FIRE DAMPER DETAIL



CABINET HEATER PIPING DETAIL



CEILING DIFFUSER DUCT CONNECTION



PIPE SIZE	THRUST/POUND OF PRESSURE			
	DEAD END OF TEE	1/4 BEND	1/8 BEND	1/6 BEND
4" & SMALLER	20	40	27	20
6	39	60	34	24
8	68	100	56	31
10	110	160	89	48

AREA OF BLOCKING = THRUST PER POUND X 90 SOIL BEARING VALUE

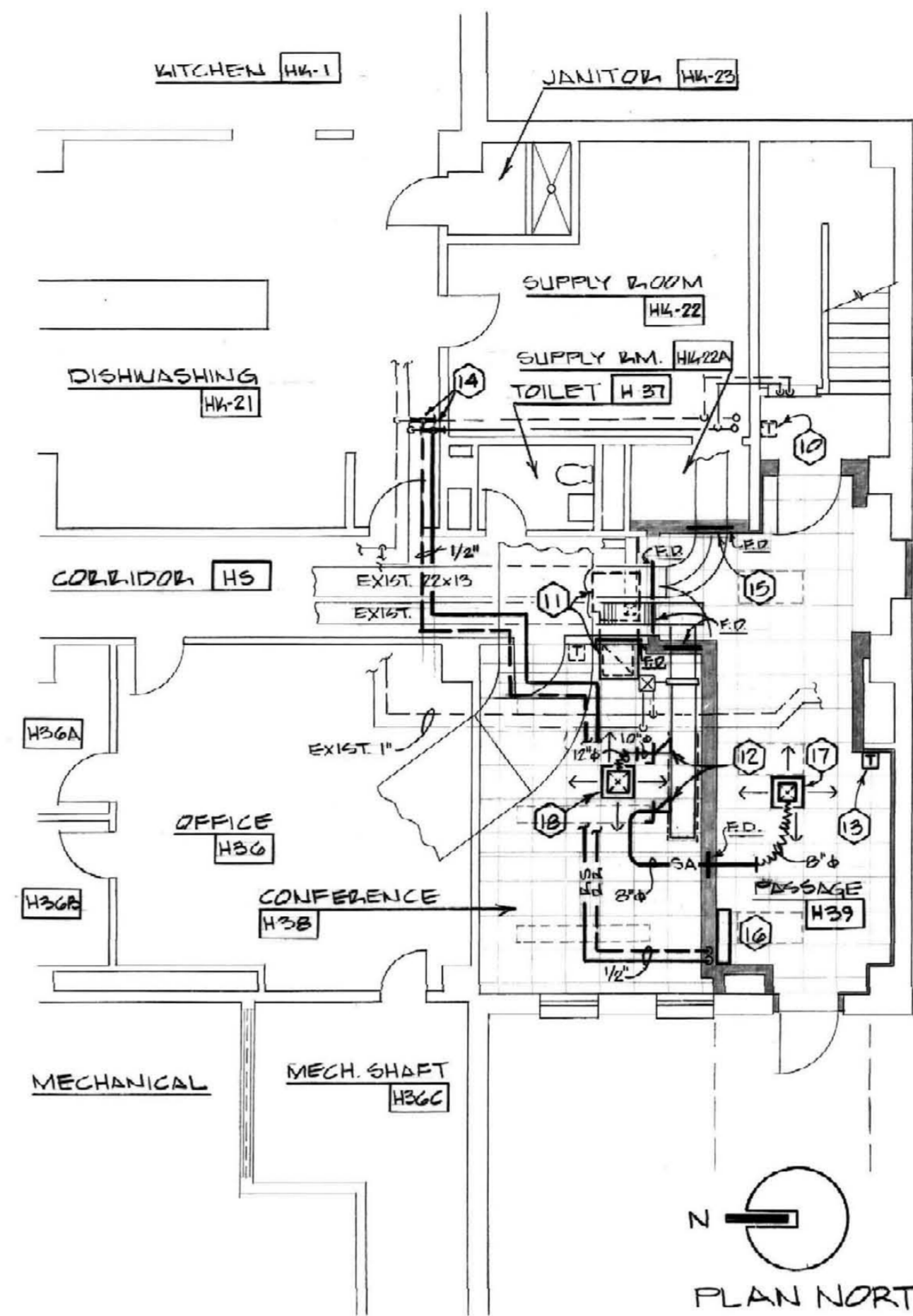
SOIL BEARING VALUES	
TYPE SOIL	PSF
CEMENTED GRAVEL	4000
COMPACTED SAND	3000
MEDIUM CLAY	2000
SOFT CLAY	1000

NOTE: THRUST BLOCKING IS REQUIRED AT CHANGES IN DIRECTION IN UNDERGROUND WATER PIPING

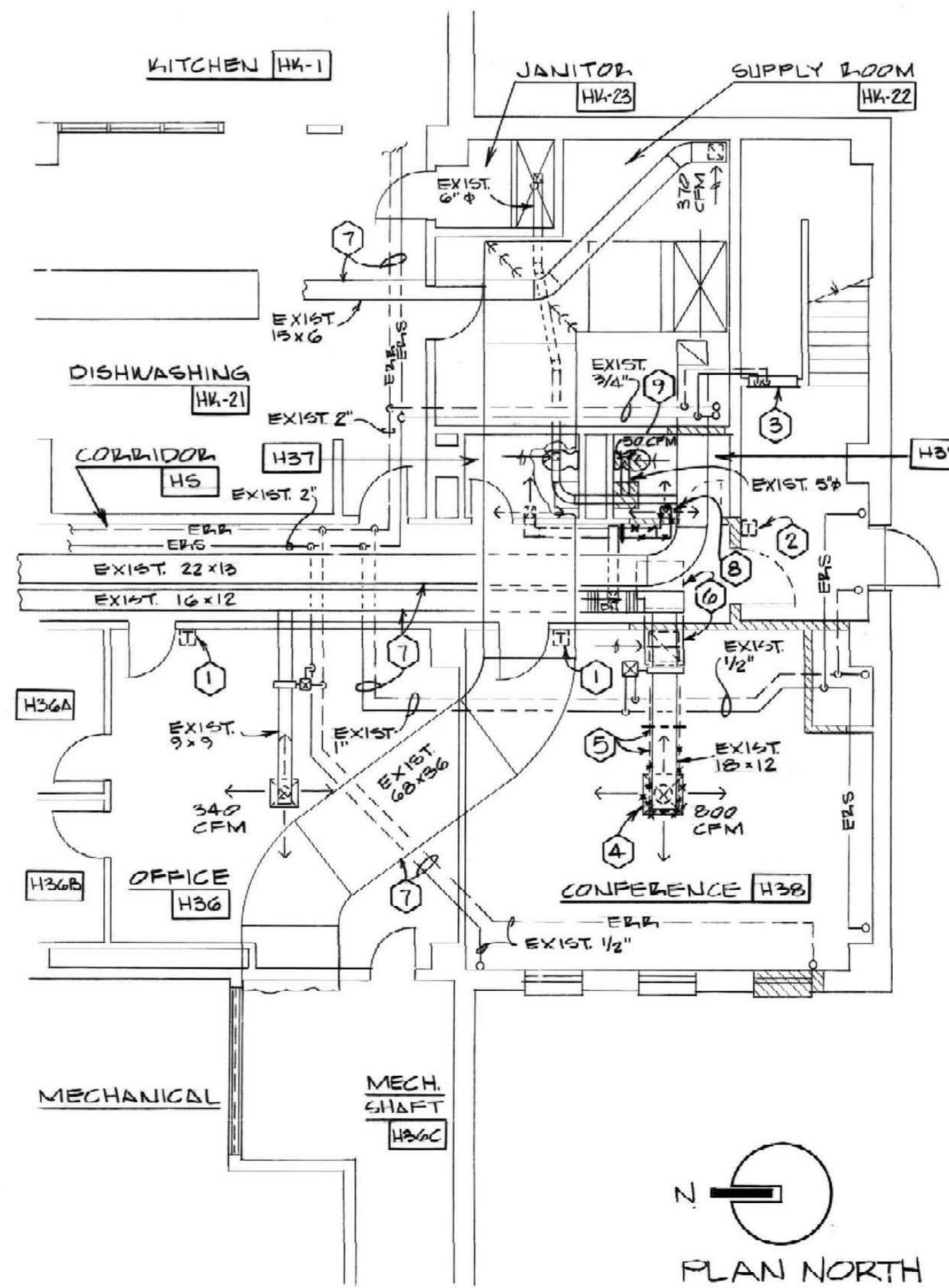
THRUST BLOCK DETAILS

MECHANICAL LEGEND

- ES - EXISTING SANITARY (INTERIOR)
- ES - EXISTING SANITARY SEWER (EXTERIOR)
- S - NEW SANITARY SEWER (DIVISION 15)
- SAN - NEW SANITARY SEWER (DIVISION 2)
- EV - EXISTING VENT (SANITARY)
- ESS - EXISTING STORM SEWER
- SIM - NEW STORM SEWER (DIVISION 2)
- ERL - EXISTING ROOF LEADER
- EFS - EXISTING FUEL SUPPLY
- EFR - EXISTING FUEL RETURN
- EW - EXISTING COLD WATER (EXTERIOR)
- EW - NEW COLD WATER (EXTERIOR)
- EG - EXISTING GAS
- SPD - NEW RUMP PUMP DISCHARGE
- EHPS - EXISTING HIGH PRESSURE STEAM
- HPS - NEW HIGH PRESSURE STEAM
- EPD - EXISTING PUMP DISCHARGE
- TD - NEW PUMP DISCHARGE
- ECWS - EXISTING CHILLED WATER SUPPLY
- ECWR - EXISTING CHILLED WATER RETURN
- EFL - EXISTING FIRE LINE
- FL - NEW FIRE LINE
- KWC - EXISTING COLD WATER (CITY PRESSURE)
- CWC - NEW COLD WATER (CITY PRESSURE)
- HW - EXISTING HOT WATER (CITY PRESSURE)
- ERS - EXISTING REHEAT SUPPLY
- RS - NEW REHEAT SUPPLY
- RR - NEW REHEAT RETURN
- ERR - EXISTING REHEAT RETURN
- 12 X 6 - DUCT (DOUBLE LINE AND SIZE)
- FLEXIBLE DUCT
- DUCTWORK SECTIONS:
 - SUPPLY
 - RETURN, EXHAUST OR OUTSIDE AIR
 - SQUARE TYPE ELBOW WITH TURNING VANES
 - SINGLE LINE DUCTWORK (SUPPLY AIR)
 - FIRE DAMPER
 - MANUAL VOLUME DAMPER
 - GATE VALVE
 - CHECK VALVE
 - VALVE WITH VALVE BOX
 - ELBOW (UP, DOWN, SIDE)
 - TEE (UP, DOWN, SIDE)
 - NEW THERMOSTAT
 - EXISTING THERMOSTAT
 - C.I. - CAST IRON
 - W.H. - WALL HYDRANT



PARTIAL GROUND FLOOR PLAN-NEW WORK--HVAC
SCALE: 1/8" = 1'-0"



PARTIAL GROUND FLOOR PLAN-DEMOLITION--HVAC
SCALE: 1/8" = 1'-0"

- CODED NOTES: DRAWING M-2
- EXISTING THERMOSTAT TO REMAIN.
 - REMOVE AND RELOCATE EXISTING THERMOSTAT. SEE PARTIAL FLOOR PLAN ABOVE FOR NEW LOCATION.
 - EXISTING CABINET UNIT HEATER TO REMAIN.
 - REMOVE EXISTING DIFFUSER, 12" DIA. BRANCH SUPPLY DUCT, AND INSULATION. REMOVE BRANCH DUCT BACK TO 18 X 12 DUCT AND BLANK-OFF. SEAL AIRTIGHT.
 - REMOVE EXISTING INSULATION BACK TO THIS POINT.
 - REMOVE AND RELOCATE EXISTING GRILLE AND DUCTWORK. SEE PARTIAL PLAN ABOVE FOR NEW LOCATION.
 - EXISTING DUCTWORK AND/OR PIPING TO REMAIN.
 - REMOVE EXISTING DIFFUSER, BRANCH DUCT AND INSULATION BACK TO POINT SHOWN AND BLANK-OFF. SEAL AIRTIGHT.
 - EXISTING EXHAUST OUTLET AND DUCT TO REMAIN.
 - NEW LOCATION OF EXISTING THERMOSTAT. SEE NOTE 2.
 - NEW LOCATION OF EXISTING GRILLE AND DUCTWORK. SEE NOTE 6.
 - CONNECT TO EXISTING 18 X 12 DUCT ABOVE CEILING.
 - NEW THERMOSTAT.
 - CONNECT TO EXISTING 3/4" RS AND 3/4" RR PIPING ABOVE CEILING.
 - NEW FIRE DAMPER. SEE DETAIL THIS DRAWING. FIELD VERIFY EXISTING DUCT SIZES.
 - NEW CABINET HEATER, TRANS MODEL 3, SIZE 03, 300 CFM, 19,872 BTU/HR, 0.75 GPM, 1/30 MP, 60° EAT, 190° EWT, THROWAWAY FILTER. SEE DETAIL THIS DRAWING.
 - NEW DIFFUSER, ANEMOSTAT TYPE EPL-D, SIZE 8", 275 CFM, 4-WAY, .015 P.D., 24 X 24 LAY-IN, 21 N.G., WHITE BAKED ENAMEL FINISH. SEE DETAIL THIS DRAWING.
 - NEW DIFFUSER, ANEMOSTAT, TYPE EPL-D, SIZE 12", 525 CFM, 4-WAY, .015 P.D., 24 X 24 LAY-IN, 23 N.G., WHITE BAKED ENAMEL FINISH. SEE DETAIL THIS DRAWING.

ALBERT B. CHANDLER MEDICAL CENTER UNIVERSITY OF KENTUCKY HOSPITAL EXPANSION & RENOVATION

OMN/CMW Joint Venture Architects
In Association with Hellmuth, Obata & Kassabaum

PARTIAL GROUND FLOOR PLANS - HVAC
HOSPITAL EXPANSION & RENOVATION
A. B. CHANDLER MEDICAL CENTER
PROJECT NO. 3041

University of Kentucky
Design & Construction
Approval

Director
FEB 15 1988

Date: JUNE 1988
Drawn by: [Signature]
Check by: [Signature]
Revisions:

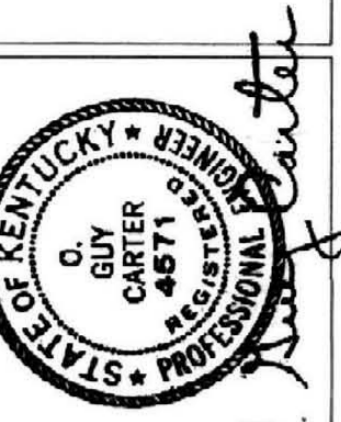
RECORD DRAWINGS DATE 7/13/90

These record drawings have been prepared, in part, on the basis of information compiled and furnished by others. The Engineers will not be responsible for any errors or omissions which have been incorporated into this document as a result.

STAGGS & FISHER CONSULTING ENGINEERS, INC.

M-2

HOSPITAL ADDITION



STAGGS & FISHER
CONSULTING ENGINEERS
217 S. ABRAHAM AVE.
LEXINGTON, KENTUCKY 40508
PHONE: (606) 254-1118

OMN/CMW Joint Venture Architects
In Association with Hellmuth, Obata & Kassabaum
Omni Architects 2885 Harshbarger Road, Lexington, KY 40504 PH: (606) 253-3045
Chisman-Miller-Woodford 338 S. Broadway, Lexington, KY 40508 PH: (606) 254-6823

PARTIAL GROUND FLOOR PLANS - HVAC
HOSPITAL EXPANSION & RENOVATION
A. B. CHANDLER MEDICAL CENTER
PROJECT NO. 3041

University of Kentucky
Design & Construction
Approval

Director
FEB 15 1988

Date: JUNE 1988
Drawn by: [Signature]
Check by: [Signature]
Revisions:

RECORD DRAWINGS DATE 7/13/90

These record drawings have been prepared, in part, on the basis of information compiled and furnished by others. The Engineers will not be responsible for any errors or omissions which have been incorporated into this document as a result.

STAGGS & FISHER CONSULTING ENGINEERS, INC.

M-2

HOSPITAL ADDITION