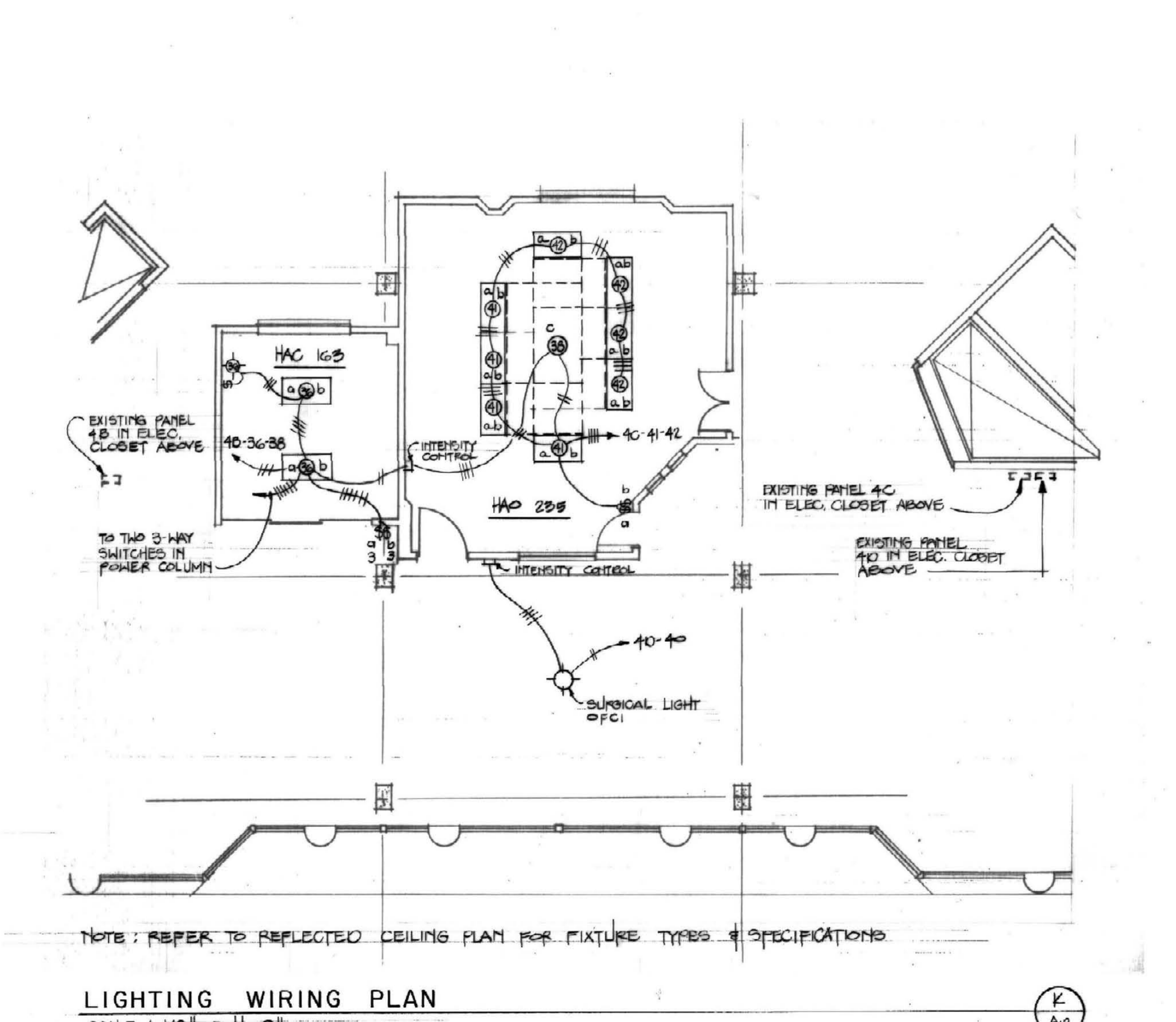
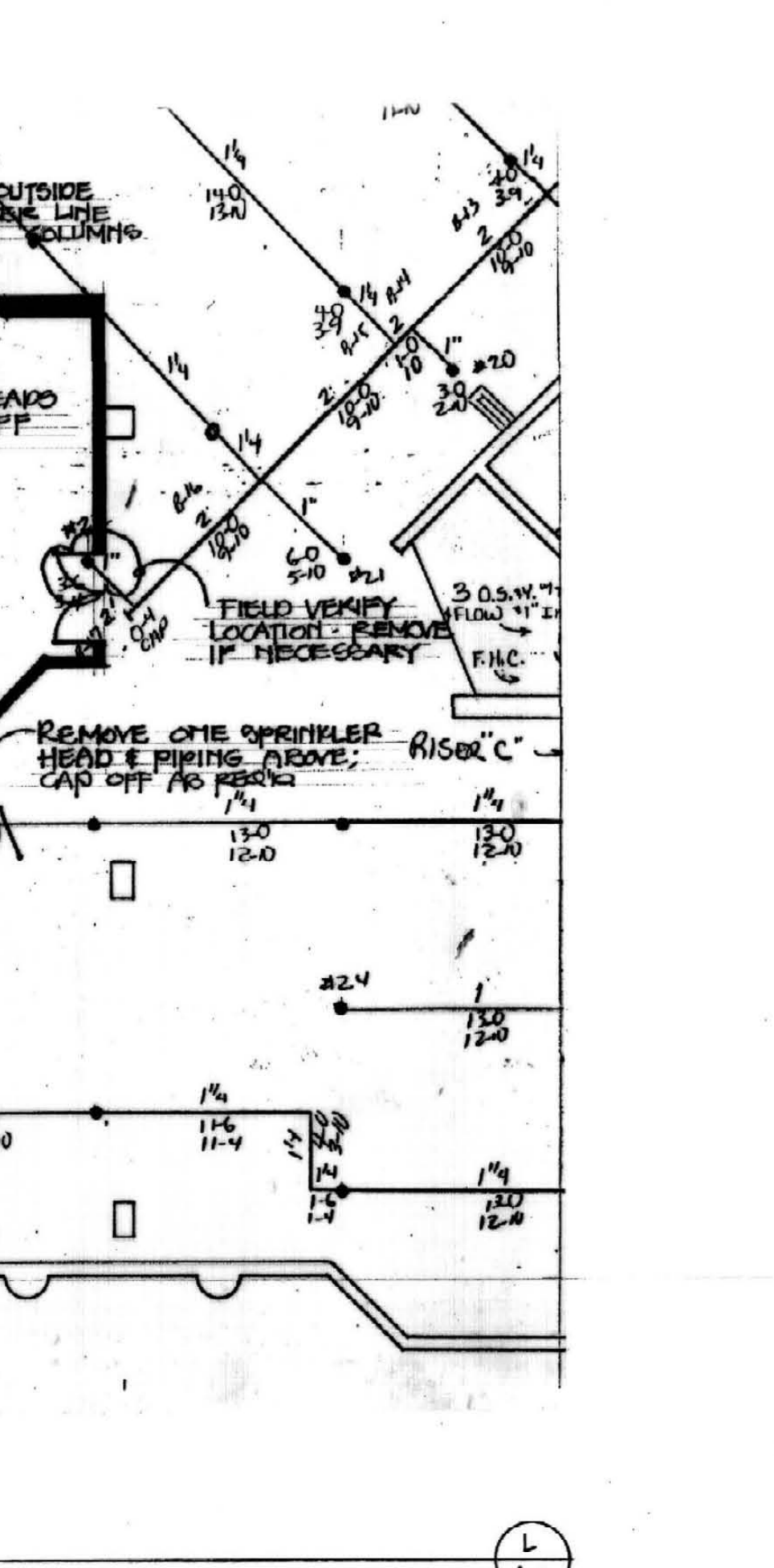
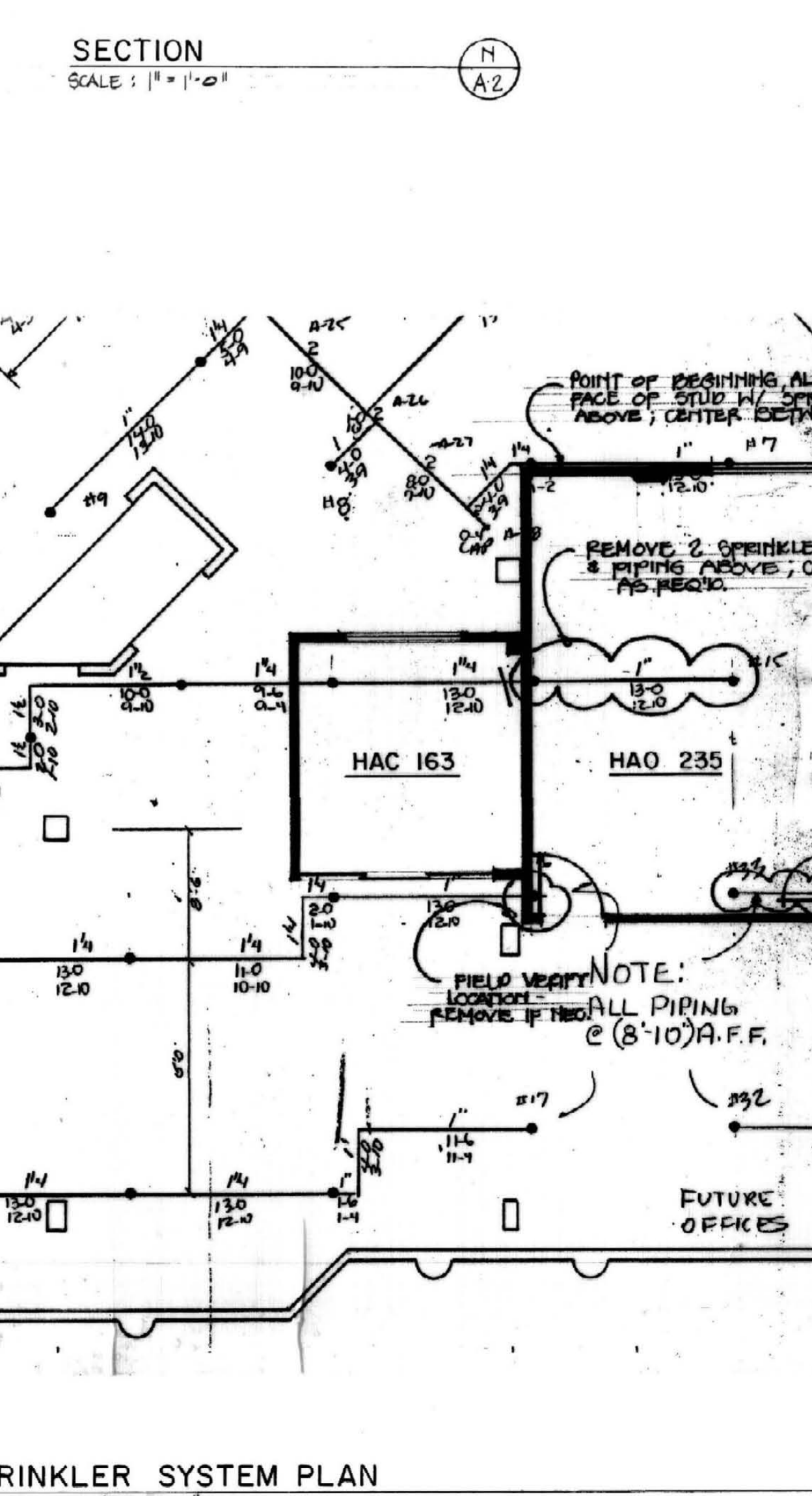
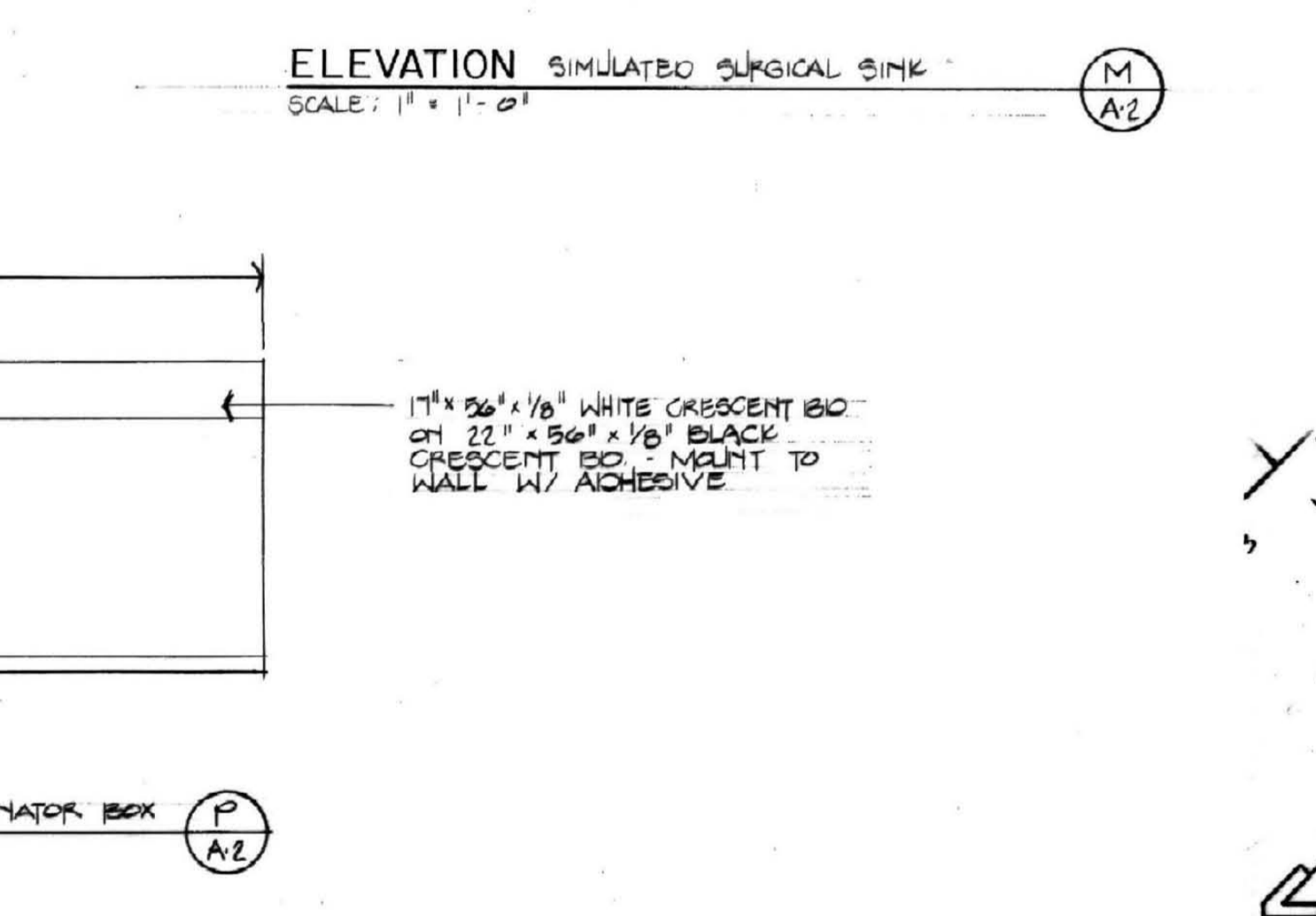
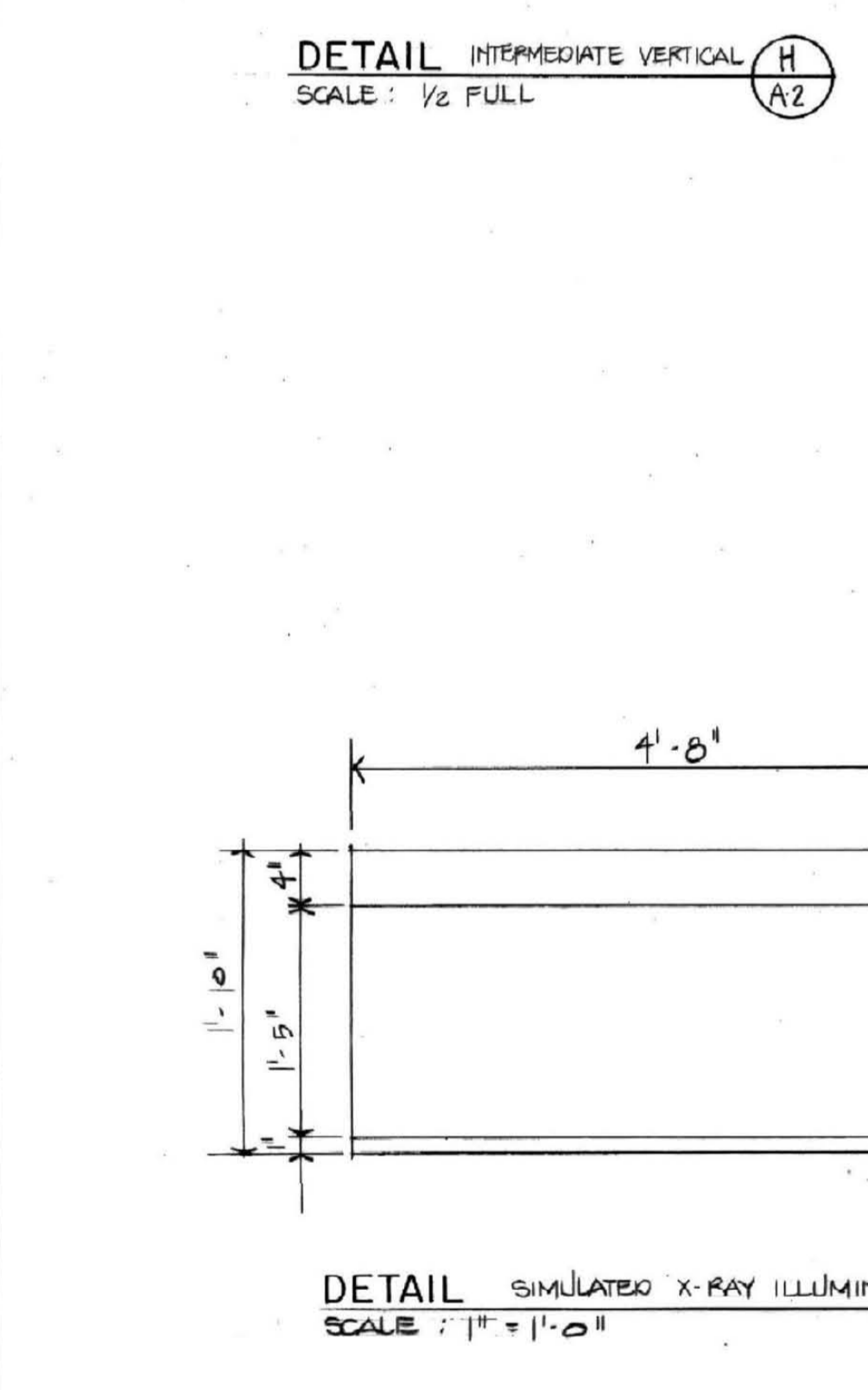
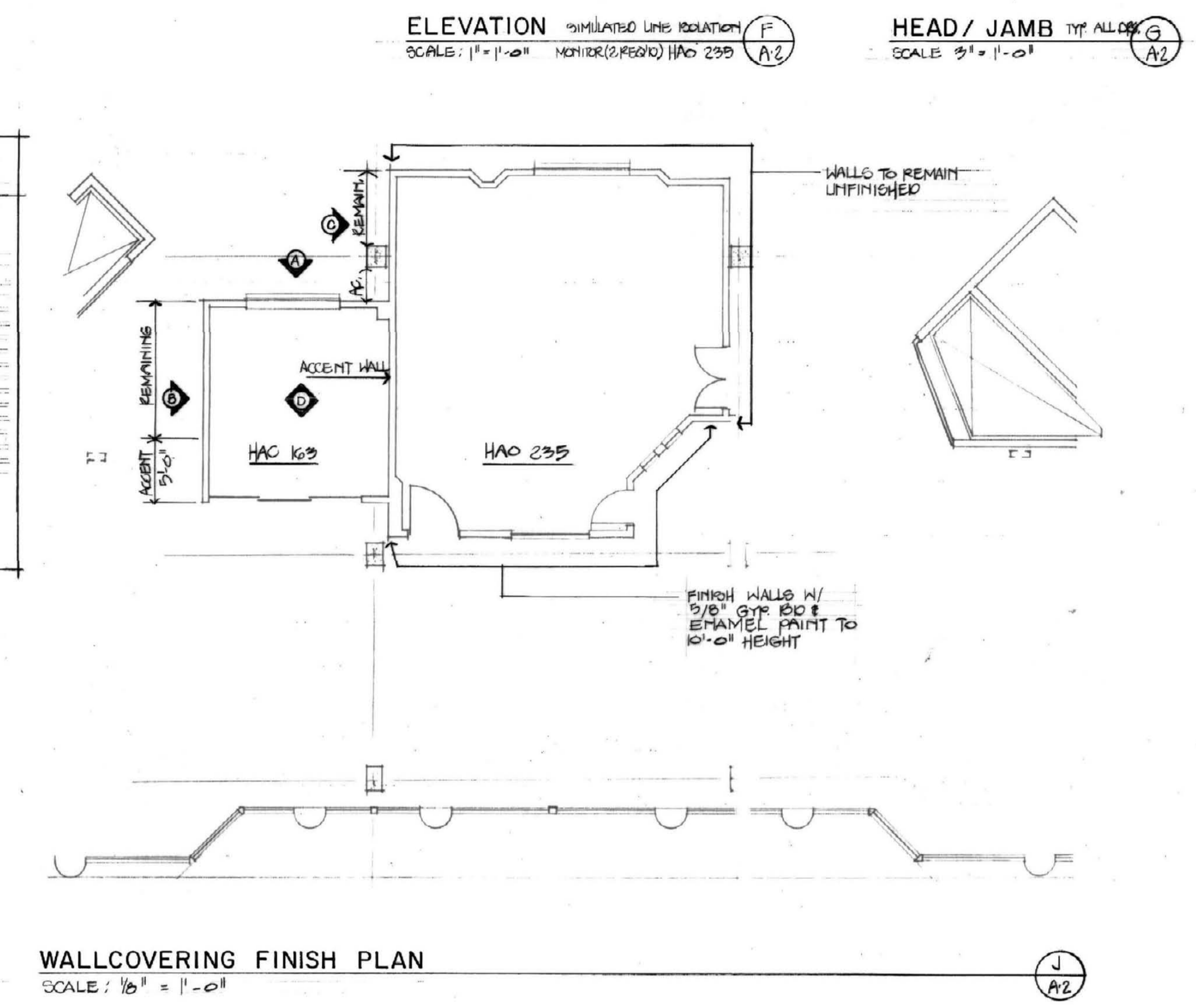


SCHEDULE OF WALLCOVERING

HALL 'A'	BOLTATEX, MOMENTUM WALLS: DIGITAL LINEN BT0200 CORNER: ALIGNMENT BOARDER BT0201
HALL 'B'	VICRETEX, COLORCAPES ACCENT: CRESTINGO ELLIE SPRUCE REMAINING: MIKADO, HC-5111
HALL 'C'	VICRETEX, COLORCAPES ACCENT: MACKEREL, HC-5111 REMAINING: TREMATE, HC-5107
HALL 'D'	BOLTATEX, MASTERPIECE ACCENT: AQUARELLE STIPE BT0148 REMAINING: AQUARELLE, BT0147



ALBERT B. CHANDLER MEDICAL CENTER UNIVERSITY OF KENTUCKY HOSPITAL EXPANSION & RENOVATION

OMNI/CMW Joint Venture Architects
In Association with Hellmuth, Obata, & Kassabaum

ELECTRICAL PLAN AND DETAILS
HOSPITAL EXPANSION AND RENOVATION
OR AND ICU MOCK-UP CONSTRUCTION
PROJECT NO. 304.1

University of Kentucky
Design & Construction
Approval
H. PROFFERS
Director
Date: August 1st
Drawn by: H. PROFFERS
Check by:
Revisions:

Date: August 1st
Drawn by: H. PROFFERS
Check by:
Revisions:

A-2
OR A ICU MOCK-UP