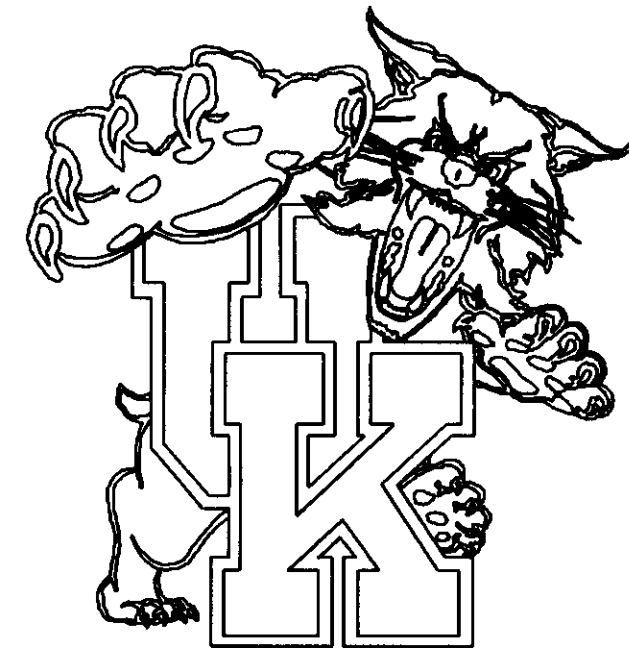
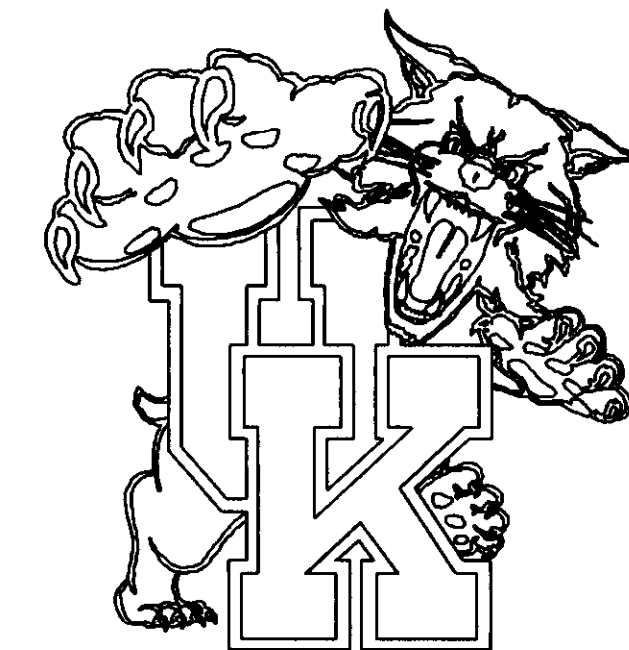


# UNIVERSITY OF KENTUCKY



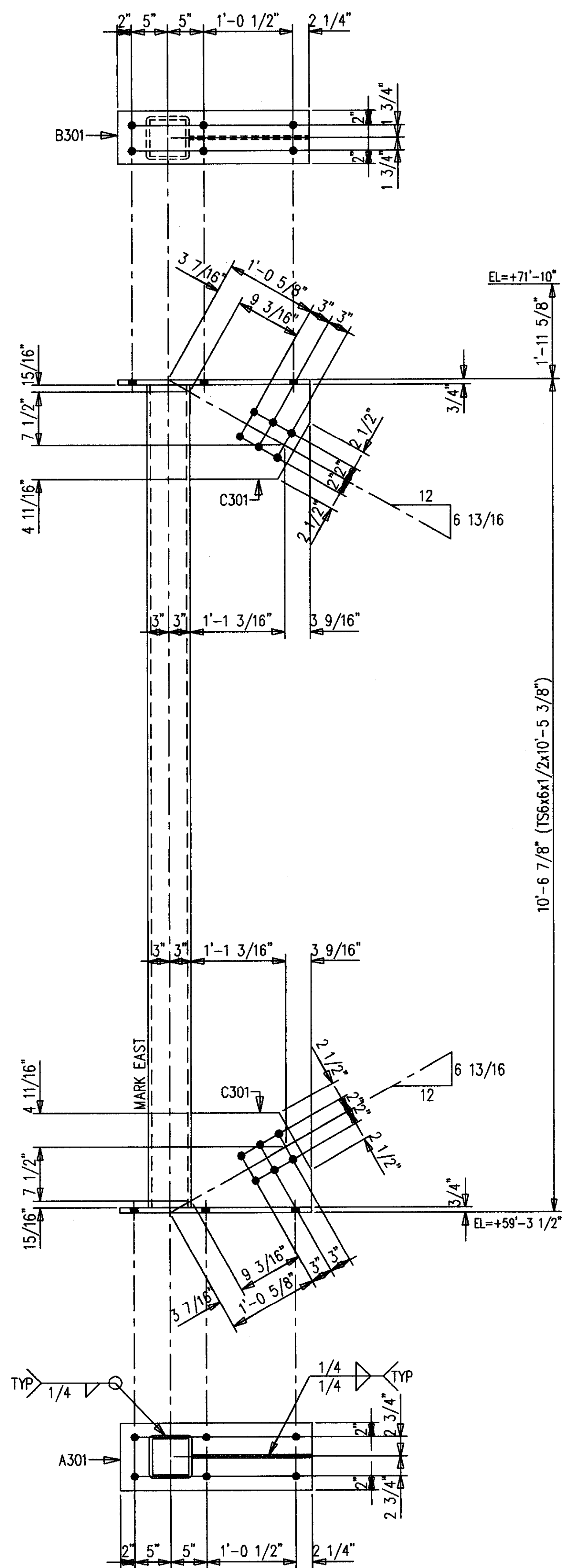
1998 PROJECT # 1674.2



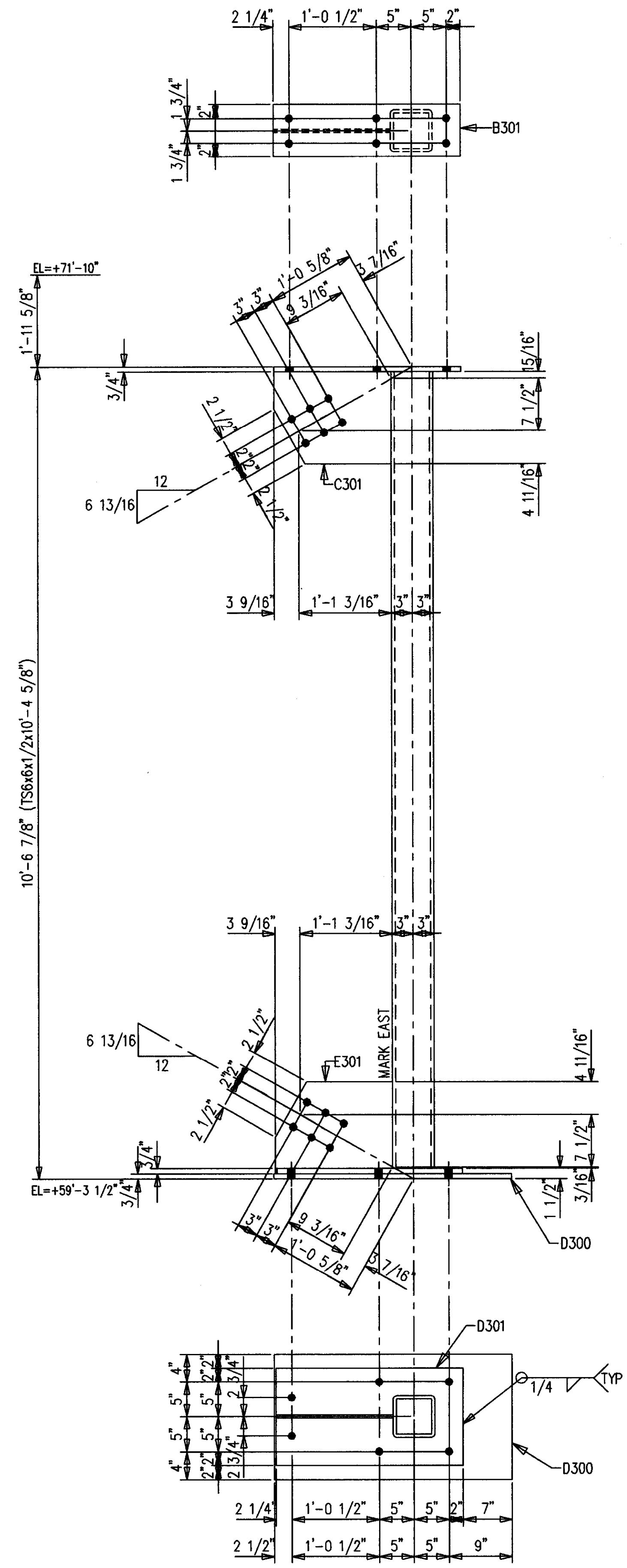
## COMMONWEALTH STADIUM EXPANSION

BID PACKAGE #3 - STRUCTURAL STEEL

SHOP DRAWINGS - 300, 400, 500, 600, & 700 SERIES - WEST END



8-COLUMNS 301C1  
48-A490 1 X 3/4 F1652H



8-COLUMNS 301C2  
48-A490 1 X 4 F1664H

BILL OF MATERIAL

SHIP MARK SUB MARK	NO. PCS.	DESCRIPTION	LENGTH		CL U S T	REMARKS
			FT.	IN.		
301C1	8	COLUMNS				
301C1	8	TS6X6X1/2	10	5-3/8		SC2E
A301	8	PL3/4X9-1/2	2	2-3/4		P
B301	8	PL3/4X7-1/2	2	2-3/4		P
C301	16	PL1/2X13-1/8	1	4-3/4		P
301C2	8	COLUMNS				
301C2	8	TS6X6X1/2	10	4-5/8		SC2E
B301	8	PL3/4X7-1/2	2	2-3/4		P
C301	8	PL1/2X13-1/8	1	4-3/4		P
D300	8	PL3/4X18	2	10		P
D301	8	PL3/4X14	2	2-3/4		P
E301	8	PL1/2X12-3/8	1	4-3/4		P

FIELD BOLTS	
F1652H	49 A490 1X3-1/4
F1664H	49 A490 1X4
F16L1W	97 A LOAD IND 1

SHOP NOTE:  
ALL STEEL GETS PRIMER ONLY

**AS BUILT**  
NAME: *Max Hughes*  
DATE: **AUG 16 1999**

ALL RE-ENTRANT CUTS MIN. 1/2" RAD. U/N	WELD ELECTRODE U/N E70XX	CHECKED BY <b>CCL</b>	CONTRACTOR TURNER CONSTRUCTION COMPANY
ALL A325 BOLTS w/ONE HARD WASH. AND HVY HEX NUT	SHOP PAINT SEE SPECS	DATE 10/98	ENGINEER WALTER P. MOORE
ALL A307 BOLTS w/HEX NUT	DRAWING TITLE COLUMNS		

CONTRACTOR TO CHECK ALL DIMENSIONS AT JOB AS MID STATES STEEL PRODUCTS CO. ASSUMES NO RESPONSIBILITY FOR GENERAL BUILDING DIMENSIONS. NO BACK CHARGES PERTAINING TO THIS WORK WILL BE ACCEPTED WITHOUT PRIOR AUTHORIZATION BY MID STATES STEEL PRODUCTS CO.

MATERIAL U/N A36  
OPEN HOLES U/N 1 1/16" ø

DRAWN BY **DFD**  
DATE 10/98

JOB NAME  
COMMONWEALTH STADIUM EXPANSION

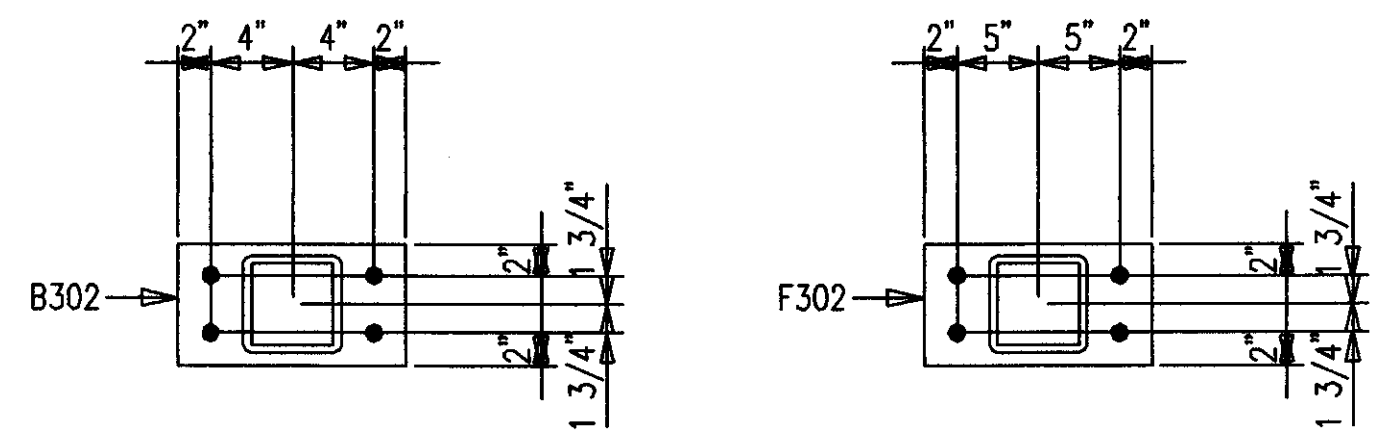
JOB LOCATION  
UNIVERSITY OF KENTUCKY

**MID STATES STEEL PRODUCTS CO.**  
FABRICATORS OF STRUCTURAL AND MISCELLANEOUS STEEL

P.O. BOX 11128-2044 BUCK LANE  
LEXINGTON, KENTUCKY 40511  
PHONE: 606-233-4344 FAX: 606-233-4346

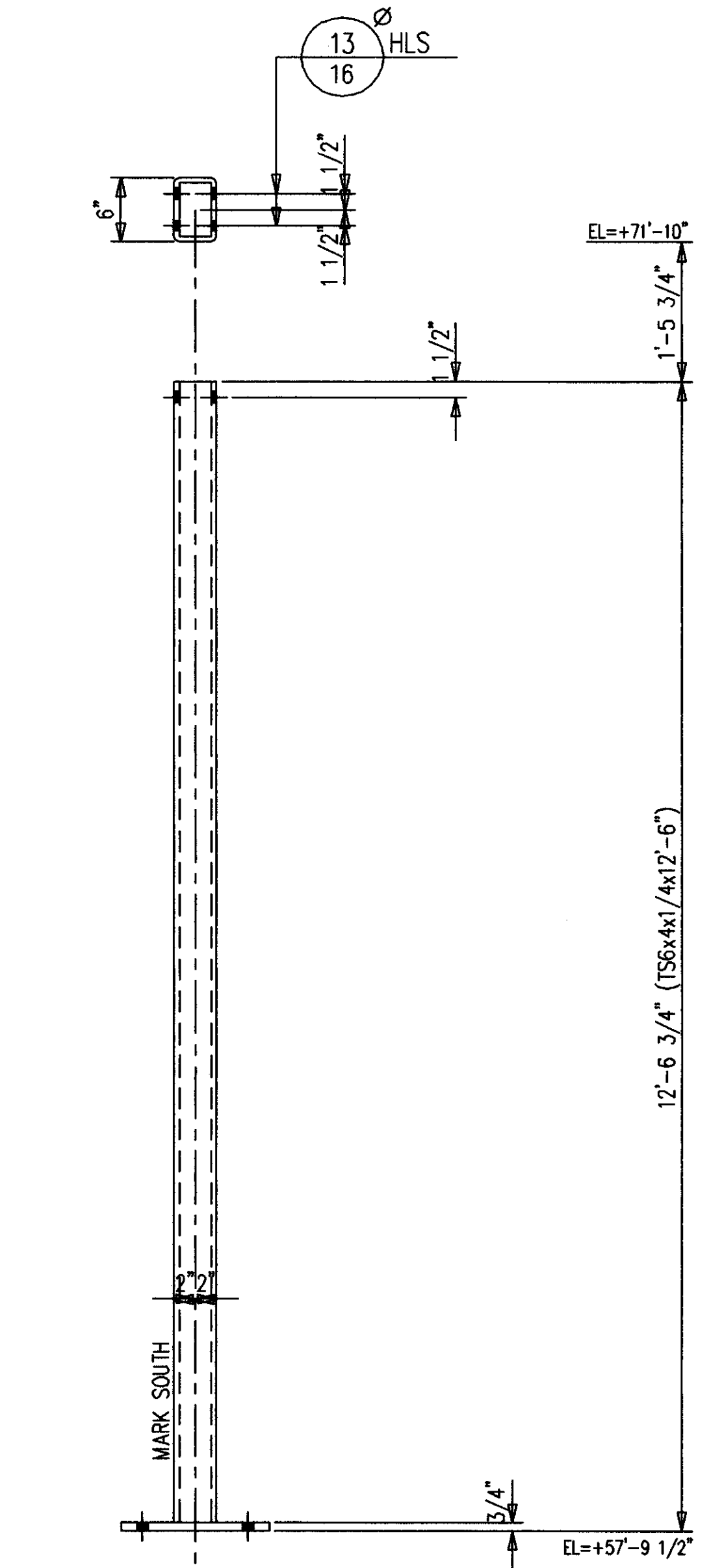
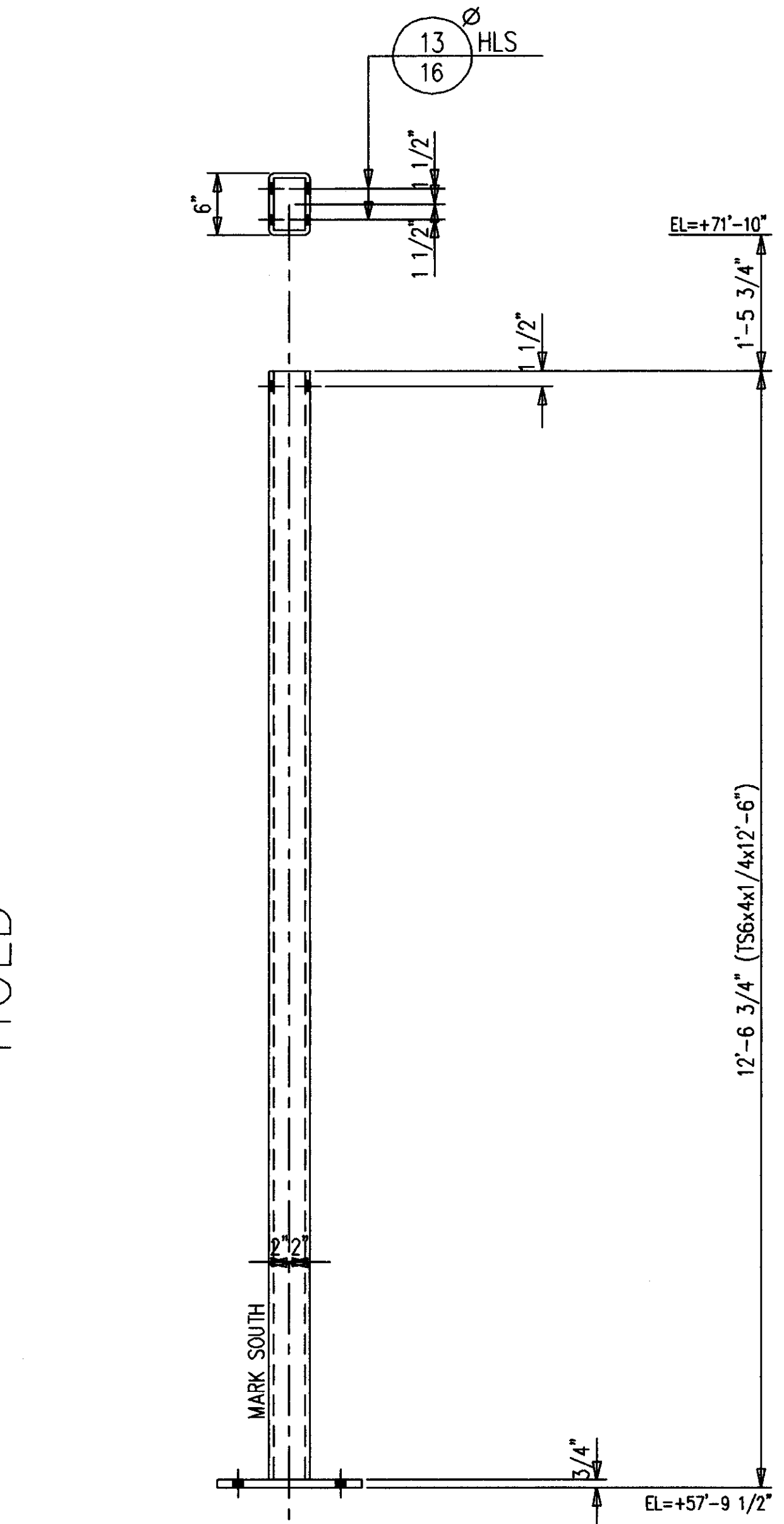
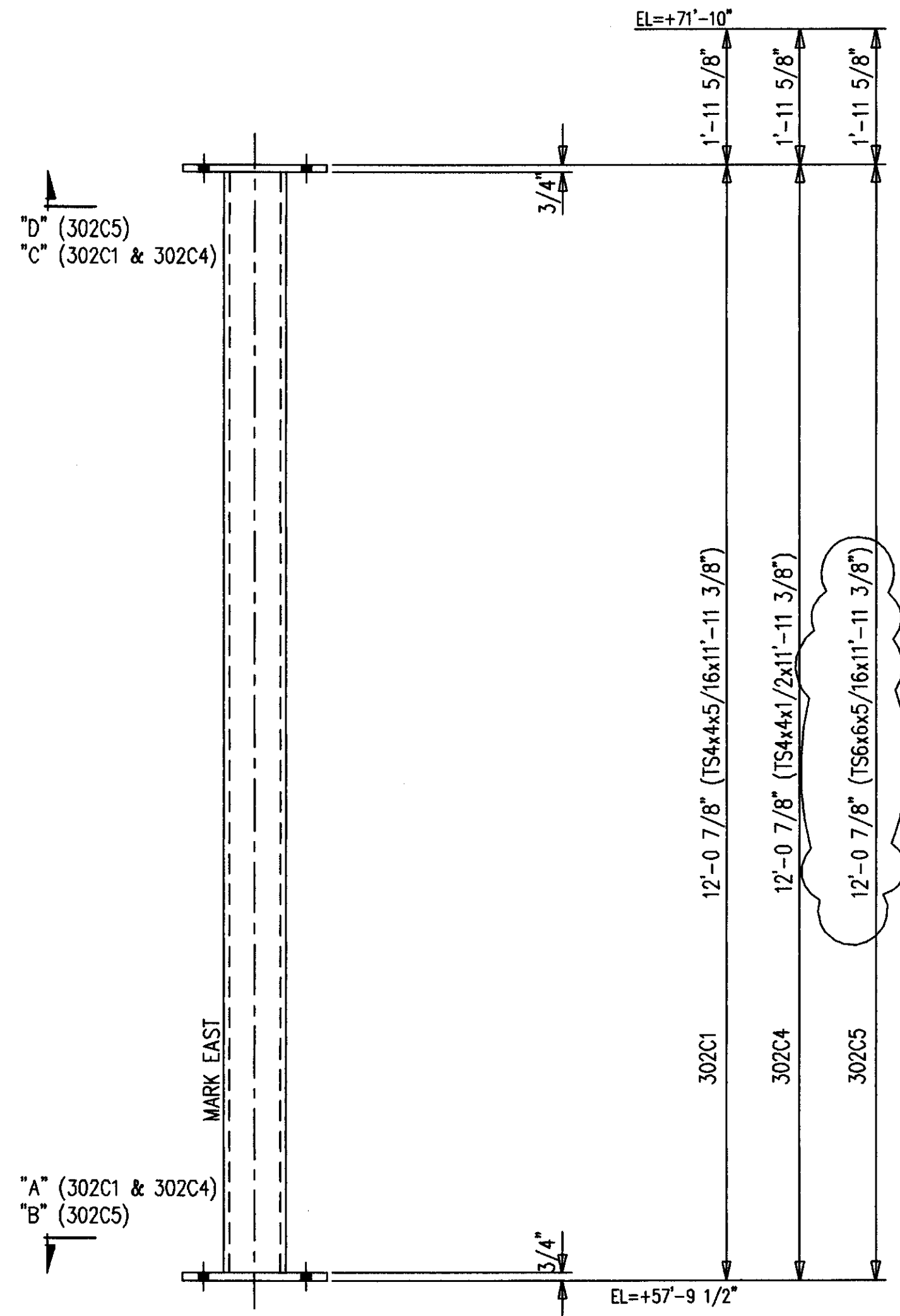
ORDER NO.  
**P3524**

SHEET NO.  
**301**



SECTION "C"

SECTION "D"

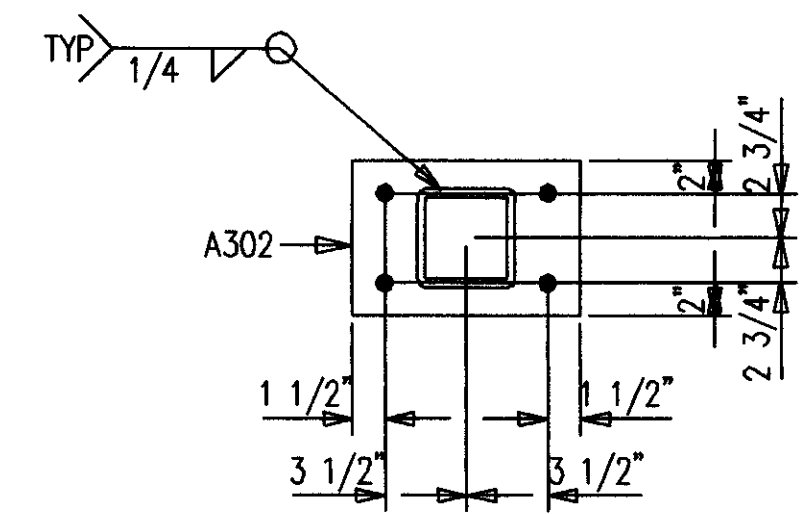


8-COLUMNS 302C1  
2-COLUMNS 302C4

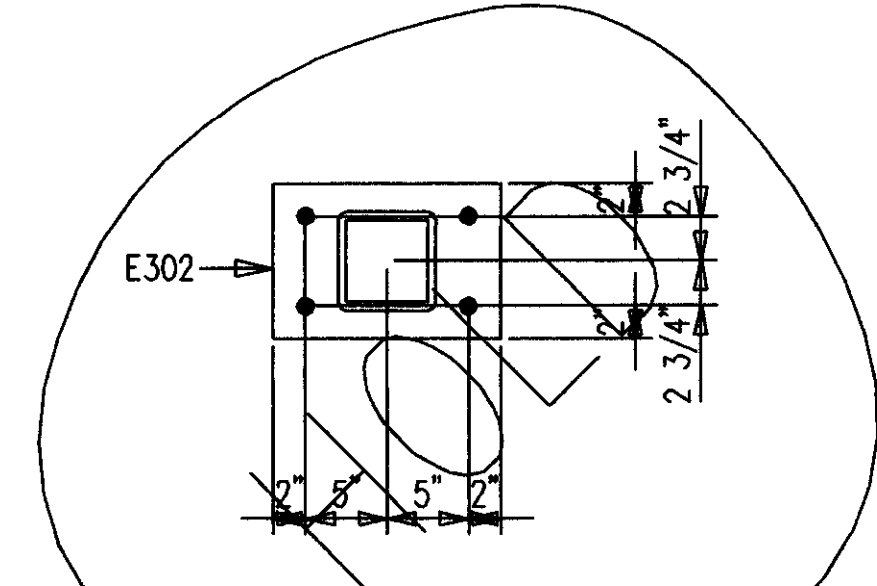
2-COLUMNS 302C5  
48-A490 1 X 3 F1648H

8-COLUMNS 302C2  
8-A490 1 X 2 1/2 F1640H  
24-A490 1 X 2 3/4 F1644H  
16-A307 3/4 X 5 3/4 F1292M

2-COLUMNS 302C3  
8-A490 1 X 2 3/4 F1644H  
4-A307 3/4 X 5 3/4 F1292M



SECTION "A"



SECTION "B"

SHOP NOTE:  
ALL STEEL GETS PRIMER ONLY

AS BUILT  
NAME: *W. J. Hughes*  
DATE: AUG 16 1999

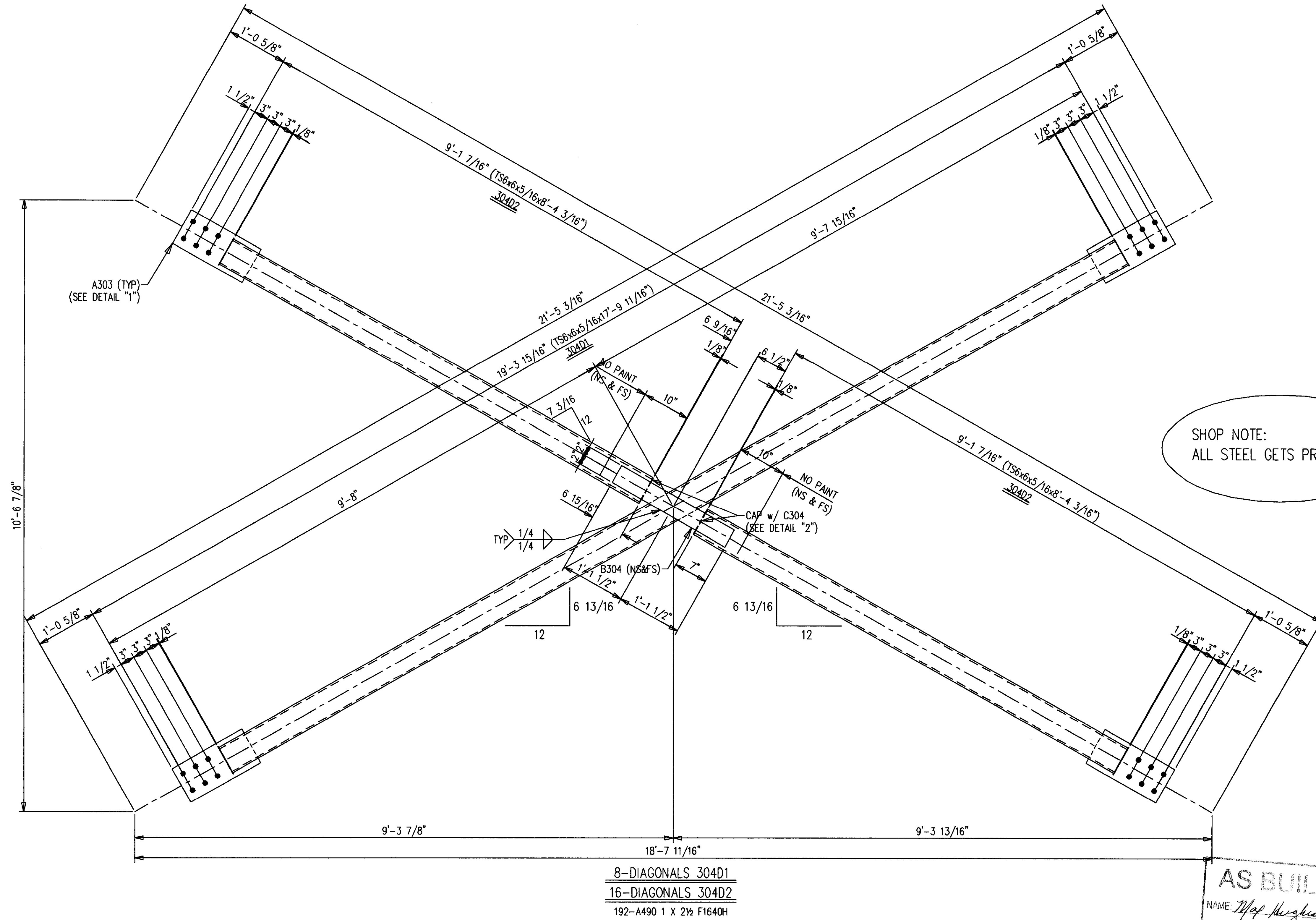
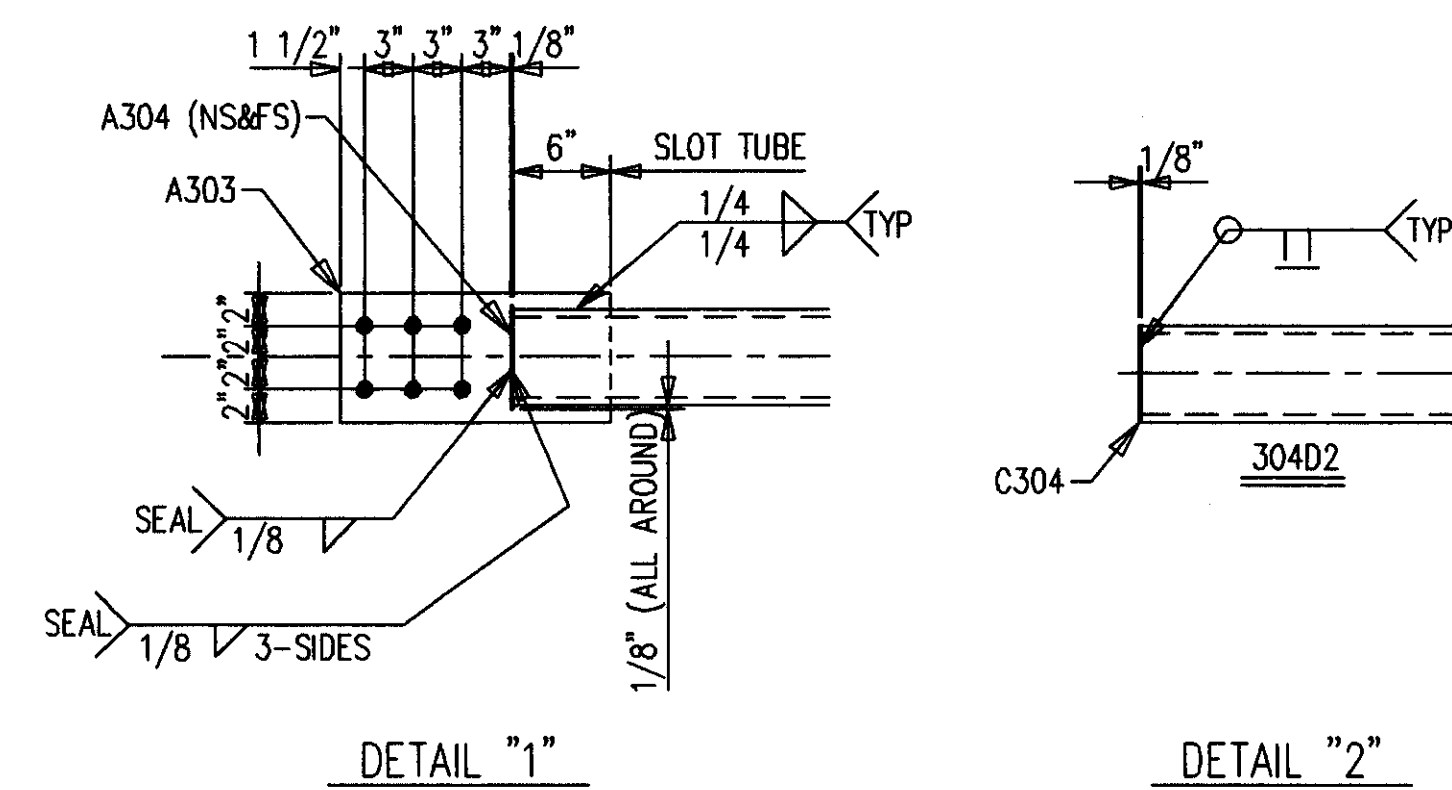
BILL OF MATERIAL

SHIP MARK SUB MARK	NO. PCS.	DESCRIPTION	LENGTH		CL U S T	REMARKS
			FT.	IN.		
302C1	8	COLUMNS				
302C1	8	TS4X4X5/16	11	11-3/8		SC2E
A302	8	PL3/4X9-1/2	0	10		P
B302	8	PL3/4X7-1/2	1	0		P
302C2	8	COLUMNS				
302C2	8	TS6X4X1/4	12	6		P/SC2E
C302	8	PL3/4X6-1/2	1	0		P
302C3	2	COLUMNS				
302C3	2	TS6X4X1/4	12	6		P/SC2E
D302	2	PL3/4X6-1/2	1	0		P
302C4	2	COLUMNS				
302C4	2	TS4X4X1/2	11	11-3/8		SC2E
A302	2	PL3/4X9-1/2	0	10		P
B302	2	PL3/4X7-1/2	1	0		P
302C5	2	COLUMNS				
302C5	2	TS6X6X5/16	11	11-3/8		SC2E
E302	2	PL3/4X9-1/2	1	2		P
F302	2	PL3/4X7-1/2	1	2		P
		FIELD BOLTS				
F1292M	21	A307 3/4X5-3/4				
F1640H	9	A490 1X2-1/2				
F1644H	33	A490 1X2-3/4				
F1648H	49	A490 1X3				
F16LIW	89	A LOAD IND 1				

HOLD

DATE	APP	SHOP	FIELD

NO. DATE		REVISION DESCRIPTION		DWN	CO.
CONTRACTOR TO CHECK ALL DIMENSIONS AT JOB AS MID STATES STEEL PRODUCTS CO. ASSUMES NO RESPONSIBILITY FOR GENERAL BUILDING DIMENSIONS. NO BACK CHARGES PERTAINING TO THIS WORK WILL BE ACCEPTED WITHOUT PRIOR AUTHORIZATION BY MID STATES STEEL PRODUCTS CO.					
MATERIAL U/N	A36	DRAWN BY	DFD	JOB NAME	COMMONWEALTH STADIUM EXPANSION
OPEN HOLES U/N	1 1/16" Ø	DATE	10/98	JOB LOCATION	UNIVERSITY OF KENTUCKY
WELD ELECTRODE U/N	E70XX	CHECKED BY	GCL	CONTRACTOR	TURNER CONSTRUCTION COMPANY
SHOP PAINT	SEE SPECS	DATE	10/98	ENGINEER	WALTER P. MOORE
DRAWING TITLE	COLUMNS				
					ORDER NO. P3524
P.O. BOX 11128-2044 BUCK LANE LEXINGTON, KENTUCKY 40511 PHONE: 606-233-4344 FAX: 606-233-4346					SHEET NO. 302



BILL OF MATERIAL

SHIP MARK SUB MARK	NO. PCS.	DESCRIPTION	LENGTH		CUTS	REMARKS
			FT.	IN.		
304D1	8	DIAGONALS				
304D1	8	TS6X6X5/16	17	9-11/16		SC2E
A303	16	FB1/2X8	1	4-5/8		P
A304	32	PL1/8X2-7/8	0	6-1/4		
B304	16	FB3/8X4	2	3		
304D2	16	DIAGONALS				
304D2	16	TS6X6X5/16	8	4-3/16		SC2E
A303	16	FB1/2X8	1	4-5/8		P
A304	32	PL1/8X2-7/8	0	6-1/4		
C304	16	FB1/8X6	0	6		
FIELD BOLTS						
F1640H	195	A490 1X2-1/2				
F16L1W	195	A LOAD IND 1				

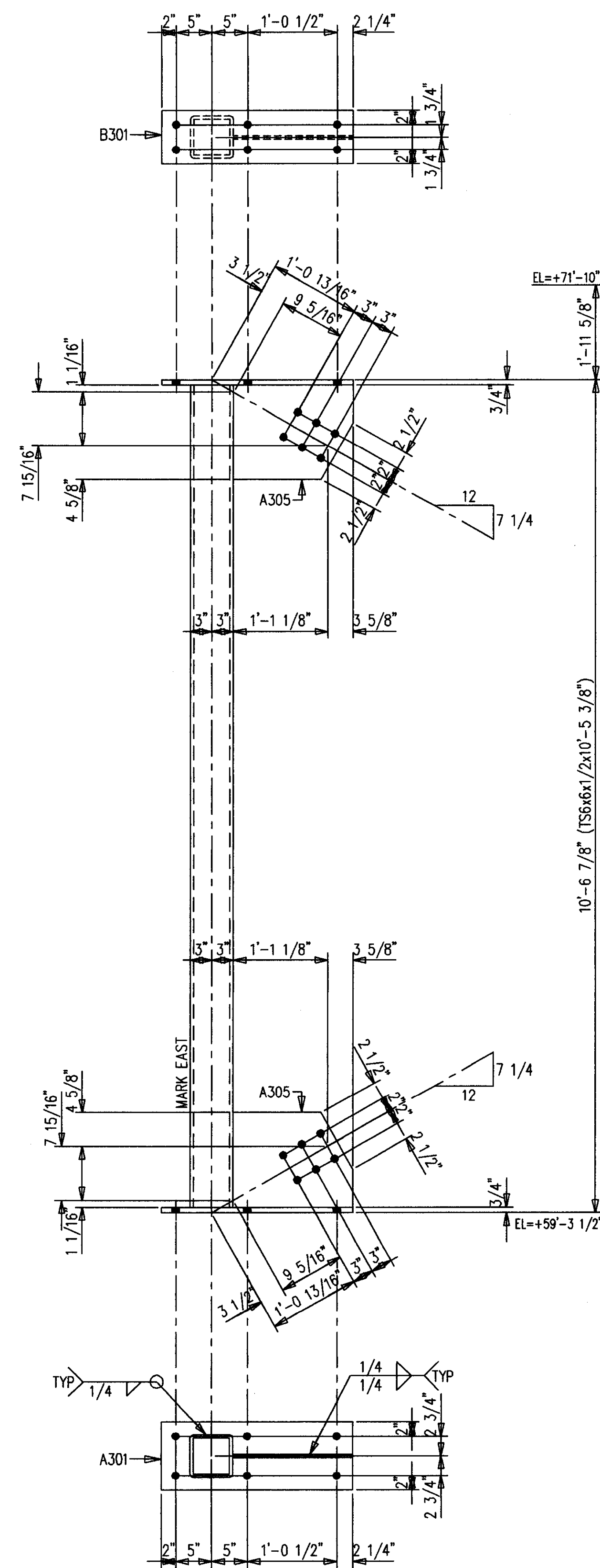
SHOP NOTE:  
ALL STEEL GETS PRIMER ONLY

**AS BUILT**  
NAME: *Map Hughes*  
DATE: AUG 16 1999

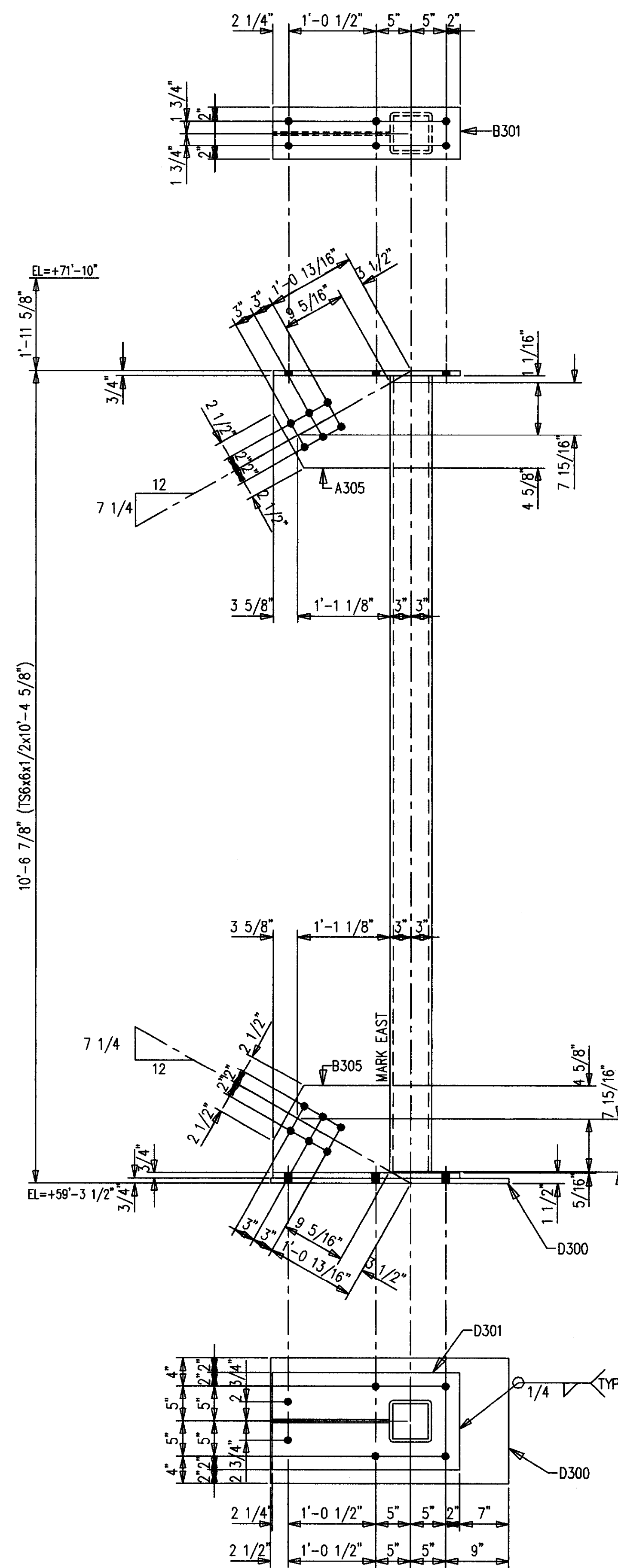
8-DIAGONALS 304D1  
16-DIAGONALS 304D2  
192-A490 1 X 2 1/2 F1640H

ALL RE-ENTRANT CUTS MIN. 1/2" RAD. U/N		WELD ELECTRODE U/N E70XX	CHECKED BY GCL	DATE 10/98	CONTRACTOR TURNER CONSTRUCTION COMPANY	ENGINEER WALTER P. MOORE
ALL A325 BOLTS w/ONE HARD WASH. AND HVY HEX NUT		SHOP PAINT SEE SPECS	DRAWING TITLE DIAGONALS			
DATE	APP	SHOP	FIELD	P.O. BOX 11128-2044 BUCK LANE LEXINGTON, KENTUCKY 40511 PHONE: 606-233-4344 FAX: 606-233-4346		
				ORDER NO. P3524	SHEET NO. 304	

MID STATES STEEL PRODUCTS CO. FABRICATORS OF STRUCTURAL AND MISCELLANEOUS STEEL



2-COLUMNS 305C1  
12-A490 1 X 3/4 F1652H



2-COLUMNS 305C2  
12-A490 1 X 4 F1664H

SHOP NOTE:  
ALL STEEL GETS PRIMER ONLY

**AS BUILT**  
NAME: *Map Hughes*  
DATE: **AUG 16 1999**

ALL RE-ENTRANT CUTS  
MIN. 1/2" RAD. U/N  
ALL A325 BOLTS w/ONE  
HARD WASH. AND HVY HEX NUT  
ALL A307 BOLTS  
w/HEX NUT

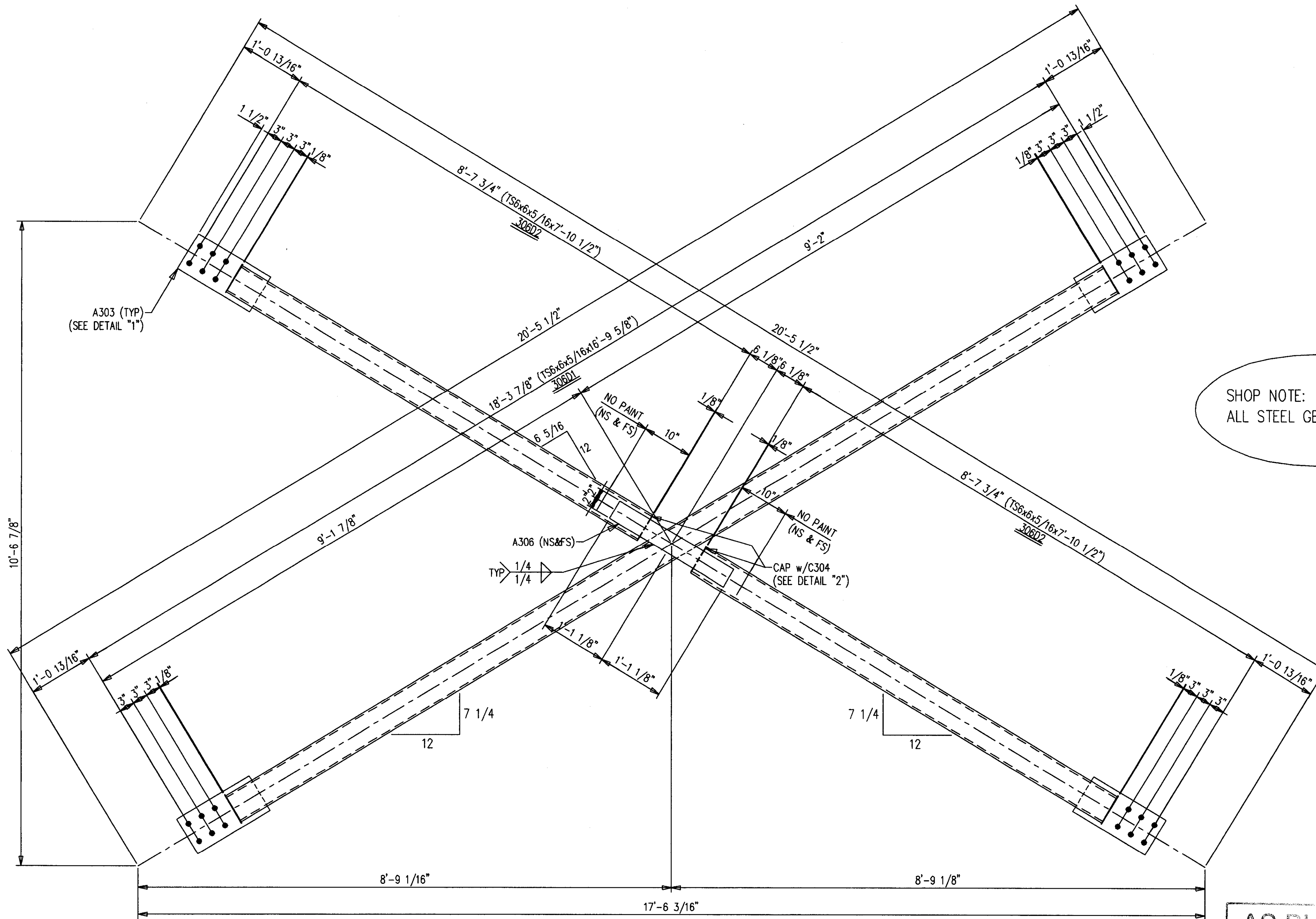
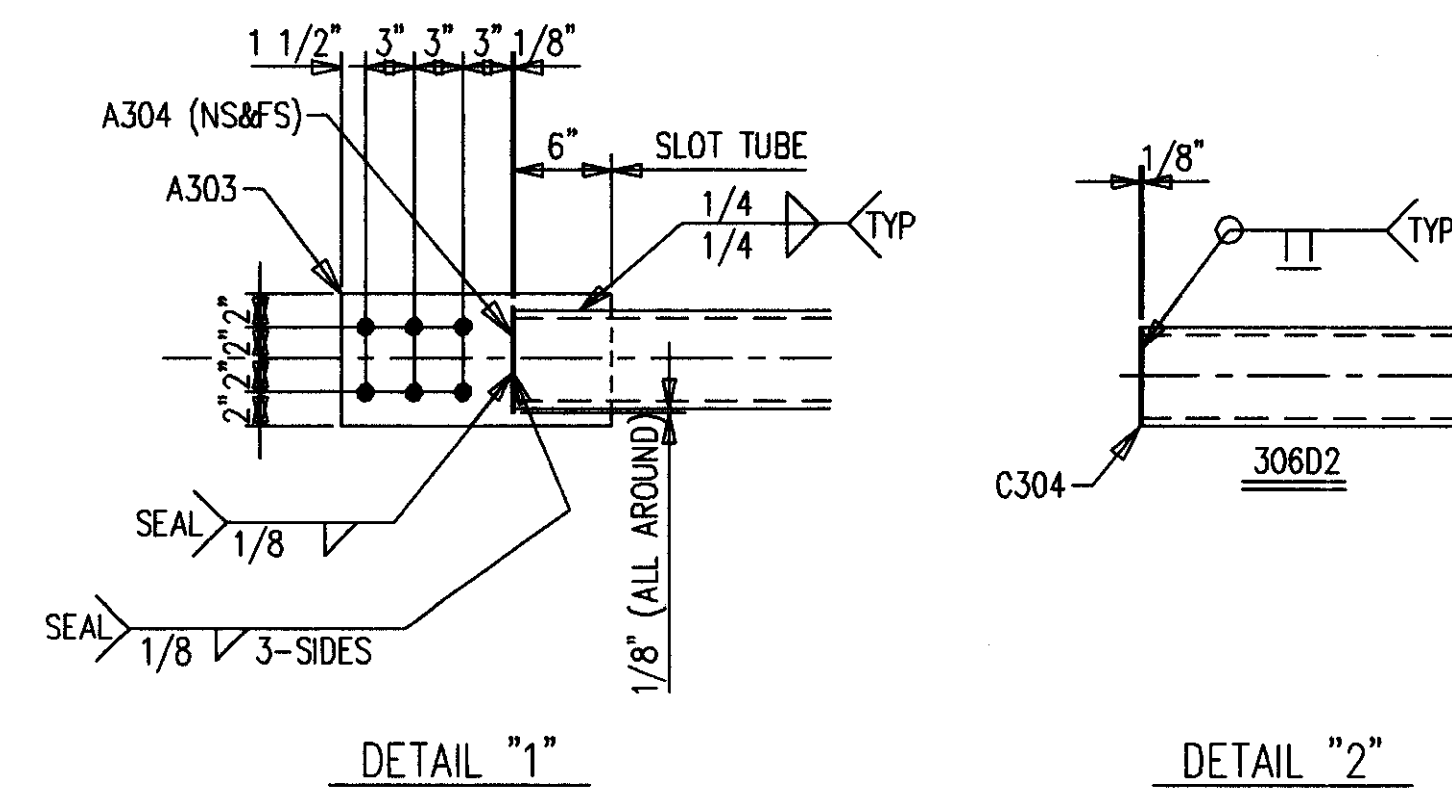
DATE	APP	SHOP	FIELD

**BILL OF MATERIAL**

SHIP MARK SUB MARK	NO. PCS.	DESCRIPTION	LENGTH		CL U S T	REMARKS
			FT.	IN.		
305C1	2	COLUMNS				
305C1	2	TS6X6X1/2	10	5-3/8		SC2E
A301	2	PL3/4X9-1/2	2	2-3/4		P
A305	4	PL1/2X13-5/8	1	4-3/4		P
B301	2	PL3/4X7-1/2	2	2-3/4		P
305C2	2	COLUMNS				
305C2	2	TS6X6X1/2	10	4-5/8		SC2E
A305	2	PL1/2X13-5/8	1	4-3/4		P
B301	2	PL3/4X7-1/2	2	2-3/4		P
B305	2	PL1/2X12-7/8	1	4-3/4		P
D300	2	PL3/4X18	2	10		P
D301	2	PL3/4X14	2	2-3/4		P

FIELD BOLTS  
F1652H 13 A490 1X3-1/4  
F1664H 13 A490 1X4  
F16L1W 25 A LOAD IND 1

NO.	DATE	REVISION DESCRIPTION	OWN	ORD
CONTRACTOR TO CHECK ALL DIMENSIONS AT JOB. AS MID STATES STEEL PRODUCTS CO. ASSUMES NO RESPONSIBILITY FOR GENERAL BUILDING DIMENSIONS. NO BACK CHARGES PERTAINING TO THIS WORK WILL BE ACCEPTED WITHOUT PRIOR AUTHORIZATION BY MID STATES STEEL PRODUCTS CO.				
MATERIAL U/N	A36	DRAWN BY	DFD	JOB NAME
OPEN HOLES U/N	1 1/16" Ø	DATE	10/98	COMMONWEALTH STADIUM EXPANSION
WELD ELECTRODE U/N	E70XX	CHECKED BY	GCL	JOB LOCATION
SHOP PAINT	SEE SPECS	DATE	10/98	UNIVERSITY OF KENTUCKY
DRAWING TITLE	COLUMNS	CONTRACTOR	TURNER CONSTRUCTION COMPANY	ENGINEER
			WALTER P. MOORE	
P.O. BOX 11128-2044 BUCK LANE LEXINGTON, KENTUCKY 40511 PHONE: 606-233-4344 FAX: 606-233-4346				ORDER NO. <b>P3524</b> SHEET NO. <b>305</b>



SHOP NOTE:  
ALL STEEL GETS PRIMER ONLY

2-DIAGONALS 306D1  
4-DIAGONALS 306D2  
48-A490 1 X 2 1/2 F1640H

**AS BUILT**  
NAME: *Walter P. Moore*  
DATE: **AUG 18 1999**

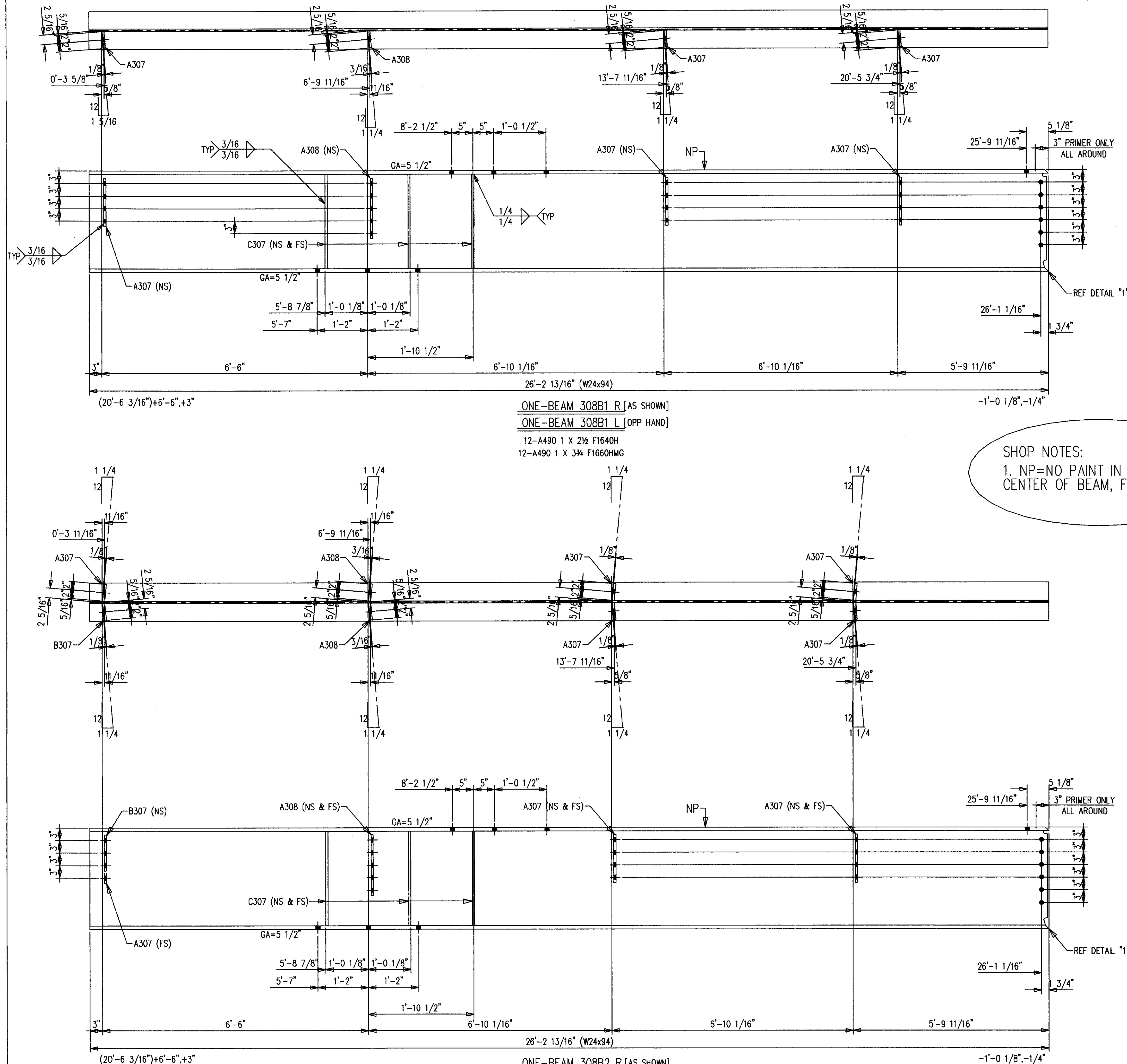
**BILL OF MATERIAL**

SHIP MARK SUB MARK	ND. PCS.	DESCRIPTION	LENGTH		CL LIST	REMARKS
			FT.	IN.		
306D1	2	DIAGONALS				
306D1	2	TS6X6X5/16	16	9-5/8		SC2E
A303	4	FB1/2X8	1	4-5/8		P
A304	8	PL1/8X2-7/8	0	6-1/4		
A306	4	FB3/8X4	2	2-1/4		
306D2	4	DIAGONALS				
306D2	4	TS6X6X5/16	7	10-1/2		SC2E
A303	4	FB1/2X8	1	4-5/8		P
A304	8	PL1/8X2-7/8	0	6-1/4		
C304	4	FB1/8X6	0	6		
FIELD BOLTS						
F1640H	49	A490 1X2-1/2				
F16LIW	49	A LOAD IND 1				

DATE	APP.	SHOP	FIELD

NO. DATE		REVISION DESCRIPTION		DRAWL. CDD
CONTRACTOR TO CHECK ALL DIMENSIONS AT JOB AS MID STATES STEEL PRODUCTS CO. ASSUMES NO RESPONSIBILITY FOR GENERAL BUILDING DIMENSIONS. NO BACK CHARGES PERTAINING TO THIS WORK WILL BE ACCEPTED WITHOUT PRIOR AUTHORIZATION BY MID STATES STEEL PRODUCTS CO.				
MATERIAL U/N	A36	DRAWN BY U/N	DFD	JOB NAME COMMONWEALTH STADIUM EXPANSION
OPEN HOLES U/N	1 1/16" Ø	DATE	10/98	JOB LOCATION UNIVERSITY OF KENTUCKY
WELD ELECTRODE U/N	E70XX	CHECKED BY U/N	GCL	CONTRACTOR TURNER CONSTRUCTION COMPANY
SHOP PAINT	SEE SPECS	DATE	10/98	ENGINEER WALTER P. MOORE
DRAWING TITLE DIAGONALS				
P.O. BOX 11128-2044 BUCK LANE LEXINGTON, KENTUCKY 40511 PHONE: 606-233-4344 FAX: 606-233-4346 FABRICATORS OF STRUCTURAL AND MISCELLANEOUS STEEL				ORDER NO. P3524 SHEET NO. 306

Cab # 206  
 Sheet # A-1  
 Document # 34695



ONE-BEAM 308B1 R [AS SHOWN]  
 ONE-BEAM 308B1 L [OPP HAND]  
 12-A490 1 X 2 1/2 F1640H  
 12-A490 1 X 3/4 F1660HMG

SHOP NOTES:  
 1. NP=NO PAINT IN 3" WIDE STRIP,  
 CENTER OF BEAM, FULL LENGTH.

**AS BUILT**  
 NAME: *Max Hughes*  
 DATE: **AUG 16 1999**

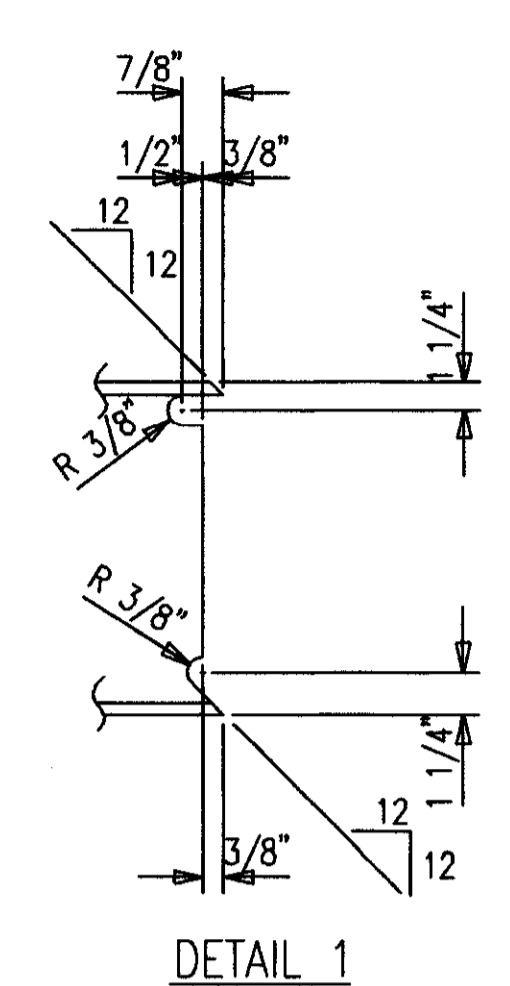
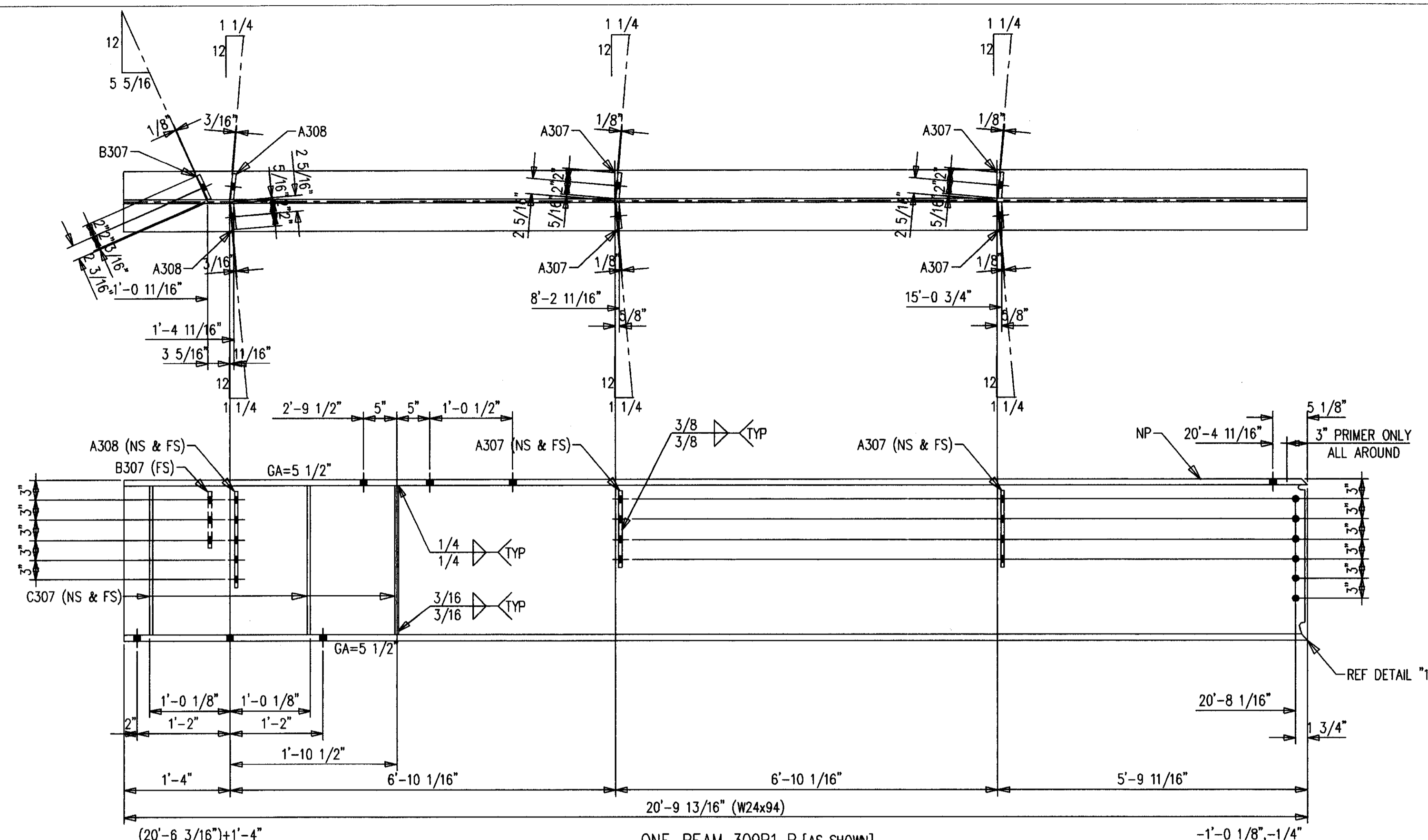
**BILL OF MATERIAL**

SHIP MARK SUB MARK	NO. PCS.	DESCRIPTION	LENGTH		CL U S T	REMARKS
			FT.	IN.		
308B1 L	ONE	BEAM				
308B1	1	W24X94 A572	26	2-13/16		P
A307	3	FB1/2X4	1	0		P
A308	1	FB1/2X4	1	3		P
C307	6	PL1/2X4-5/16	1	10-1/2		STIFF
308B1 R	ONE	BEAM				
308B1	1	W24X94 A572	26	2-13/16		P
A307	3	FB1/2X4	1	0		P
A308	1	FB1/2X4	1	3		P
C307	6	PL1/2X4-5/16	1	10-1/2		STIFF
308B2 L	ONE	BEAM				
308B2	1	W24X94 A572	26	2-13/16		P
A307	5	FB1/2X4	1	0		P
A308	2	FB1/2X4	1	3		P
B307	1	FB1/2X4	0	9		P
C307	6	PL1/2X4-5/16	1	10-1/2		STIFF
308B2 R	ONE	BEAM				
308B2	1	W24X94 A572	26	2-13/16		P
A307	5	FB1/2X4	1	0		P
A308	2	FB1/2X4	1	3		P
B307	1	FB1/2X4	0	9		P
C307	6	PL1/2X4-5/16	1	10-1/2		STIFF

FIELD BOLTS  
 F1640H 25 A490 1X2-1/2  
 F1660H 25 A490 1X3-3/4  
 F16LW 49 A LOAD IND 1

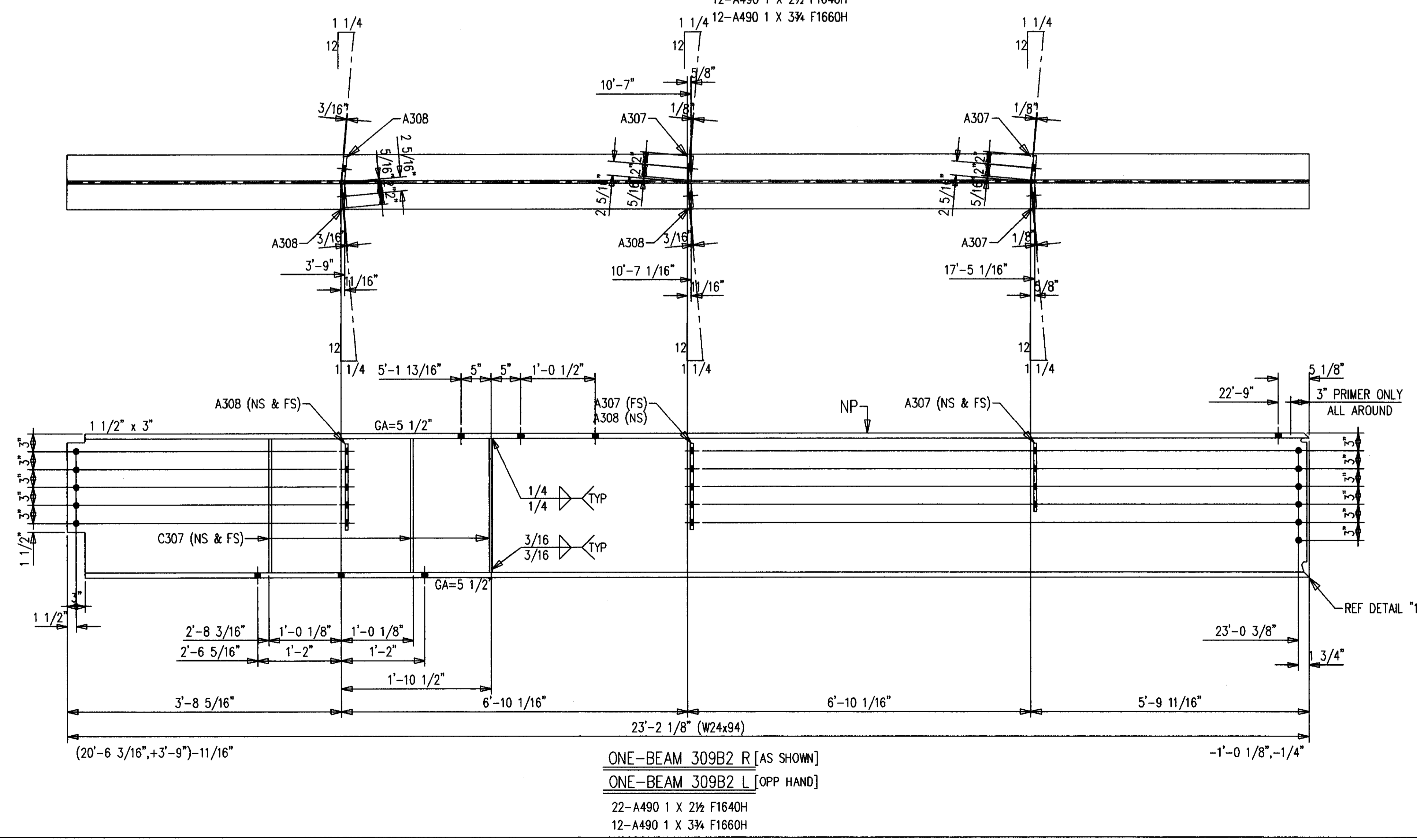
NO. DATE		REVISION DESCRIPTION		OWN	GD
CONTRACTOR TO CHECK ALL DIMENSIONS AT JOB AS MID STATES STEEL PRODUCTS CO. ASSUMES NO RESPONSIBILITY FOR GENERAL BUILDING DIMENSIONS. NO BACK CHARGES PERTAINING TO THIS WORK WILL BE ACCEPTED WITHOUT PRIOR AUTHORIZATION BY MID STATES STEEL PRODUCTS CO.					
MATERIAL U/N	A36	DRAWN BY	DFD	JOB NAME	COMMONWEALTH STADIUM EXPANSION
OPEN HOLES U/N	1 1/16" Ø	DATE	10/98	JOB LOCATION	UNIVERSITY OF KENTUCKY
WELD ELECTRODE U/N	E70XX	CHECKED BY	CCL	CONTRACTOR	TURNER CONSTRUCTION COMPANY
SHOP PAINT	SEE SPECS	DATE	10/98	ENGINEER	WALTER P. MOORE
DRAWING TITLE		BEAMS			
DATE	APP	SHOP	FIELD		
				P.O. BOX 11128-2044 BUCK LANE LEXINGTON, KENTUCKY 40511 PHONE: 606-233-4344 FAX: 606-233-4346	
				ORDER NO. <b>P3524</b>	
				SHEET NO. <b>308</b>	

**MID STATES STEEL PRODUCTS CO.**  
 FABRICATORS OF STRUCTURAL AND MISCELLANEOUS STEEL



**BILL OF MATERIAL**

SHIP MARK SUB MARK	NO. PCS.	DESCRIPTION	LENGTH		CL LIST	REMARKS
			FT.	IN.		
309B1 L	ONE	BEAM				
309B1	1	W24X94 A572	20	9-13/16		P
A307	4	FB1/2X4	1	0		P
A308	2	FB1/2X4	1	3		P
B307	1	FB1/2X4	0	9		P
C307	6	PL1/2X4-5/16	1	10-1/2		STIFF
309B1 R	ONE	BEAM				
309B1	1	W24X94 A572	20	9-13/16		P
A307	4	FB1/2X4	1	0		P
A308	2	FB1/2X4	1	3		P
B307	1	FB1/2X4	0	9		P
C307	6	PL1/2X4-5/16	1	10-1/2		STIFF
309B2 L	ONE	BEAM				
309B2	1	W24X94 A572	23	2-1/8		P
A307	3	FB1/2X4	1	0		P
A308	3	FB1/2X4	1	3		P
C307	6	PL1/2X4-5/16	1	10-1/2		STIFF
309B2 R	ONE	BEAM				
309B2	1	W24X94 A572	23	2-1/8		P
A307	3	FB1/2X4	1	0		P
A308	3	FB1/2X4	1	3		P
C307	6	PL1/2X4-5/16	1	10-1/2		STIFF
		FIELD BOLTS				
F1640H	35	A490 1X2-1/2				
F1660H	25	A490 1X3-3/4				
F16LIW	59	A LOAD IND 1				



SHOP NOTES:  
1. NP=NO PAINT IN 3" WIDE STRIP,  
CENTER OF BEAM, FULL LENGTH.

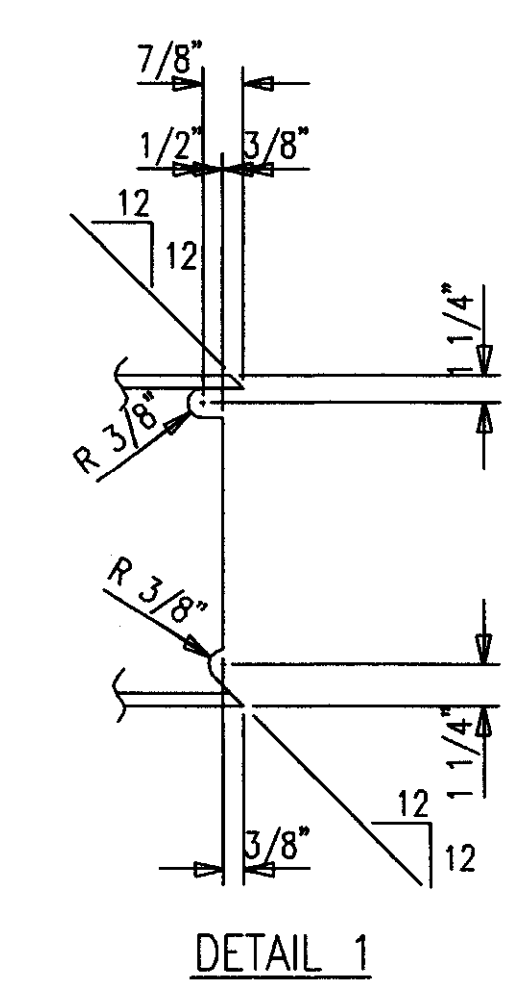
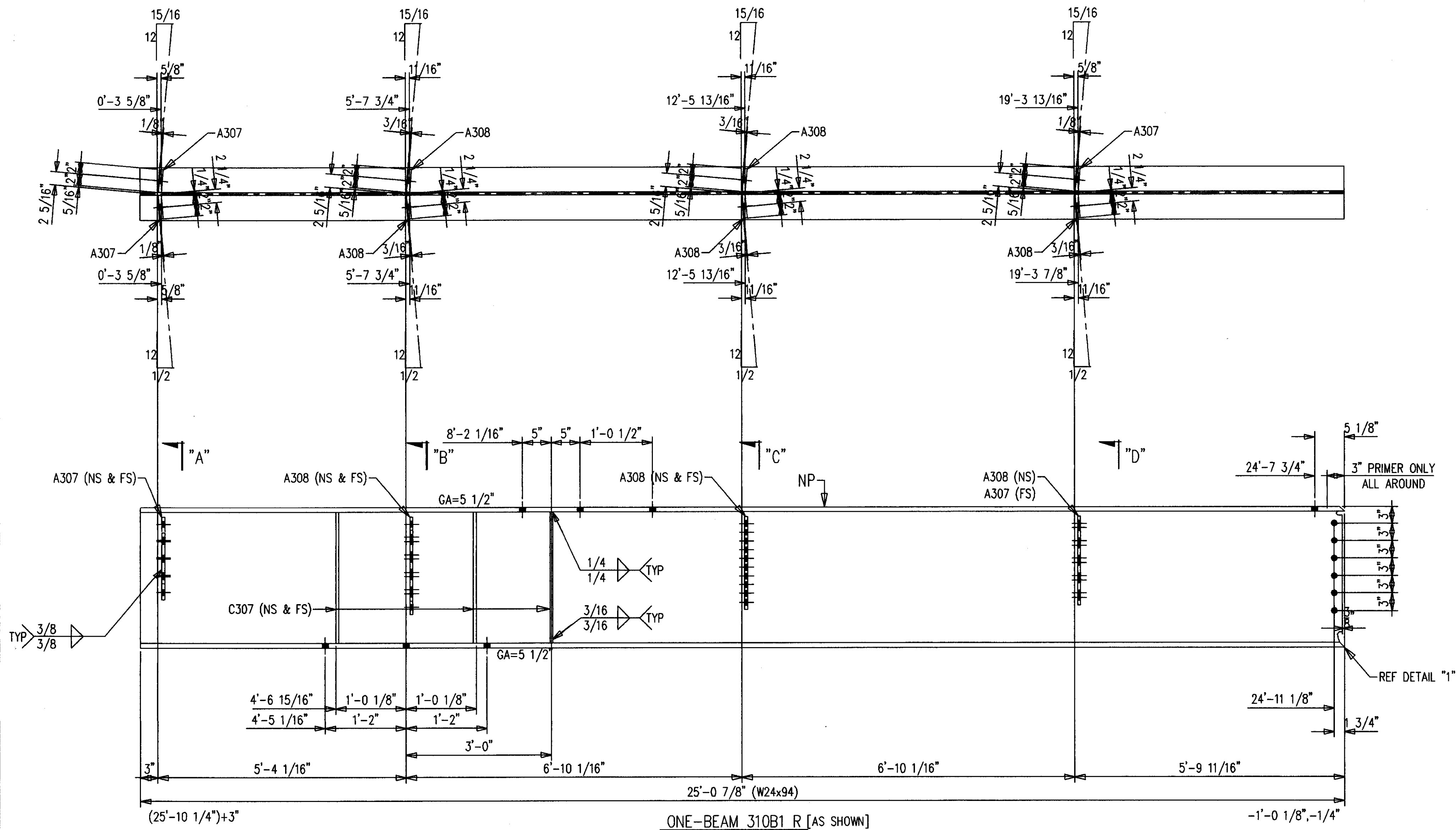
**AS BUILT**  
NAME: *Map Hughes*  
DATE: **AUG 16 1998**

ALL RE-ENTRANT CUTS MIN. 1/2" RAD. U/N	ALL A325 BOLTS w/ONE HARD WASH. AND HVY HEX NUT	ALL A307 BOLTS w/HEX NUT	DATE	APP	SHOP	FIELD
WELD ELECTRODE E70XX	SHOP PAINT SEE SPECS					
<b>MID STATES STEEL PRODUCTS CO.</b> FABRICATORS OF STRUCTURAL AND MISCELLANEOUS STEEL			P.O. BOX 11128-2044 BUCK LANE LEXINGTON, KENTUCKY 40511 PHONE: 606-233-4344 FAX: 606-233-4346		ORDER NO. <b>P3524</b> SHEET NO. <b>309</b>	



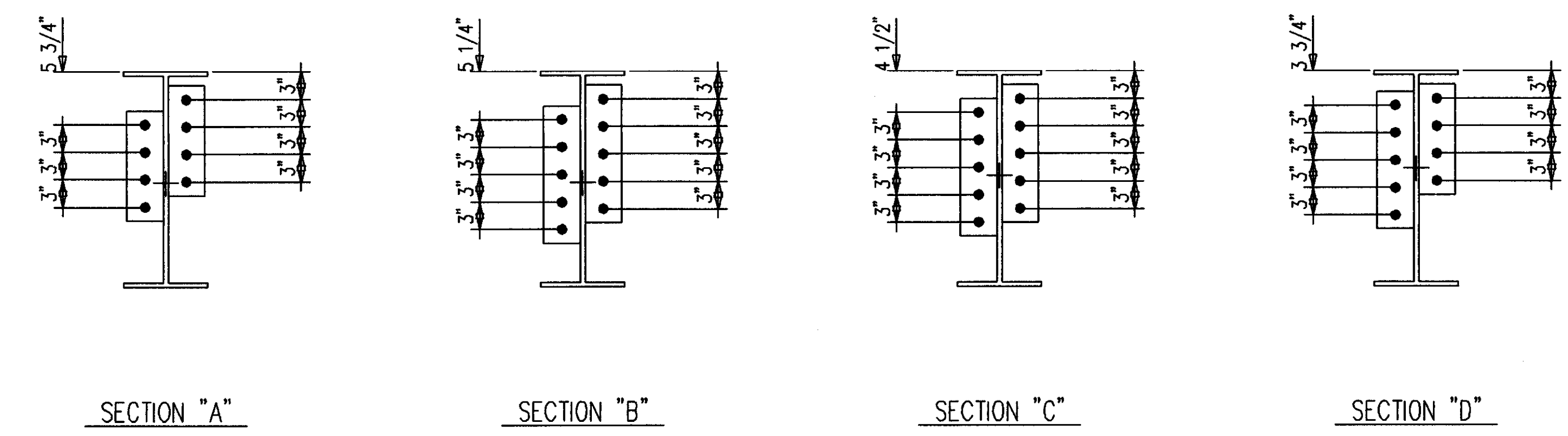
BILL OF MATERIAL

SHIP MARK SUB MARK	NO. PCS.	DESCRIPTION	LENGTH		CL UST Y	REMARKS
			FT.	IN.		
310B1 L	ONE	BEAM				
310B1	1	W24X94 A572	25	0-7/8		P
A307	3	FBI/2X4	1	0		P
A308	5	FBI/2X4	1	3		P
C307	6	PL1/2X4-5/16	1	10-1/2		STIFF
310B1 R	ONE	BEAM				
310B1	1	W24X94 A572	25	0-7/8		P
A307	3	FBI/2X4	1	0		P
A308	5	FBI/2X4	1	3		P
C307	6	PL1/2X4-5/16	1	10-1/2		STIFF
		FIELD BOLTS				
F1640H	13	A490 1X2-1/2				
F1660H	13	A490 1X3-3/4				
F161W	25	A LOAD IND 1				



ONE-BEAM 310B1 R [AS SHOWN]  
 ONE-BEAM 310B1 L [OPP HAND]  
 12-A490 1 X 2 1/2 F1640H  
 12-A490 1 X 3 3/4 F1660H

SHOP NOTES:  
 1. NP=NO PAINT IN 3\"/>



AS BUILT  
 NAME: *Map*  
 DATE: AUG 16 1999

NO.	DATE	REVISION DESCRIPTION	BY	CHKD

CONTRACTOR TO CHECK ALL DIMENSIONS AT JOB AS MID STATES STEEL PRODUCTS CO. ASSUMES NO RESPONSIBILITY FOR GENERAL BUILDING DIMENSIONS. NO BACK CHARGES PERTAINING TO THIS WORK WILL BE ACCEPTED WITHOUT PRIOR AUTHORIZATION BY MID STATES STEEL PRODUCTS CO.

MATERIAL U/N	A36	DRAWN BY	DFD	JOB NAME	COMMONWEALTH STADIUM EXPANSION
OPEN HOLES U/N	1 1/16" Ø	DATE	10/98	JOB LOCATION	UNIVERSITY OF KENTUCKY
WELD ELECTRODE U/N	E70XX	CHECKED BY	GCL	CONTRACTOR	TURNER CONSTRUCTION COMPANY
SHOP PAINT	SEE SPECS	DATE	10/98	ENGINEER	WALTER P. MOORE

ALL RE-ENTRANT CUTS MIN. 1/2" RAD. U/N  
 ALL A325 BOLTS w/ONE HARD WASH. AND HVY HEX NUT  
 ALL A307 BOLTS w/HEX NUT

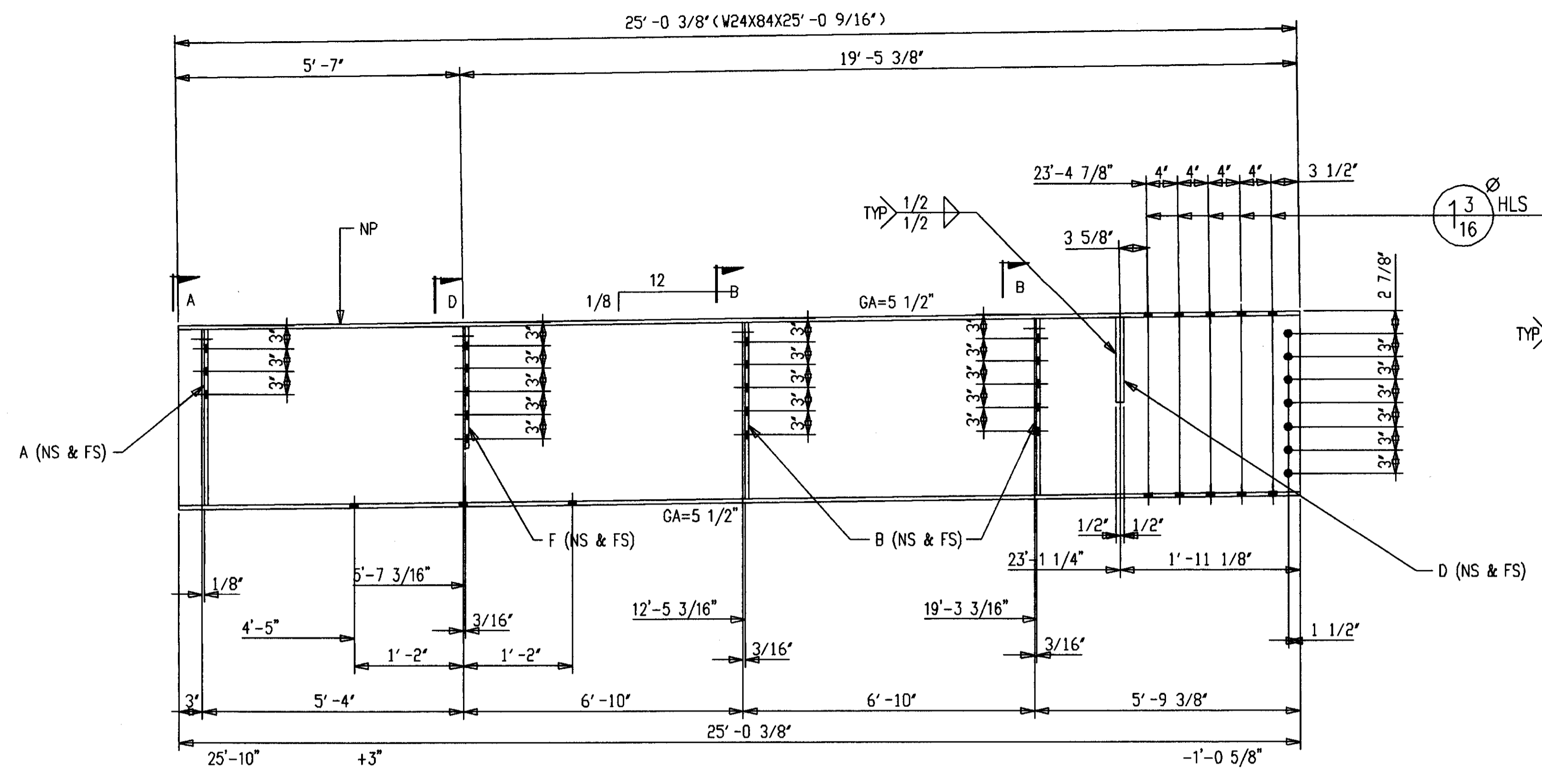
MID STATES STEEL PRODUCTS CO.  
 FABRICATORS OF STRUCTURAL AND MISCELLANEOUS STEEL

P.O. BOX 11128-2044 BUCK LANE  
 LEXINGTON, KENTUCKY 40511  
 PHONE: 606-233-4344 FAX: 606-233-4346

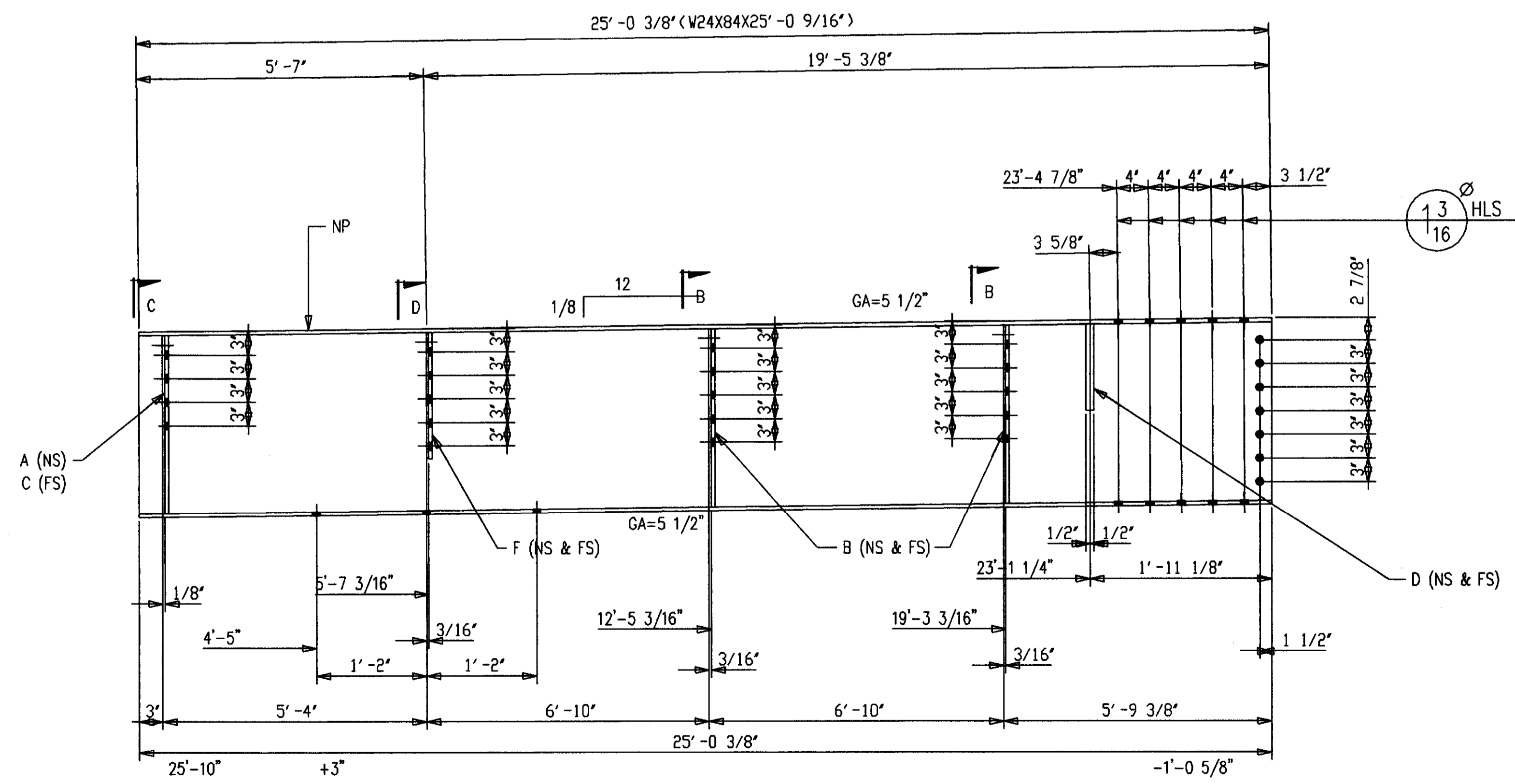
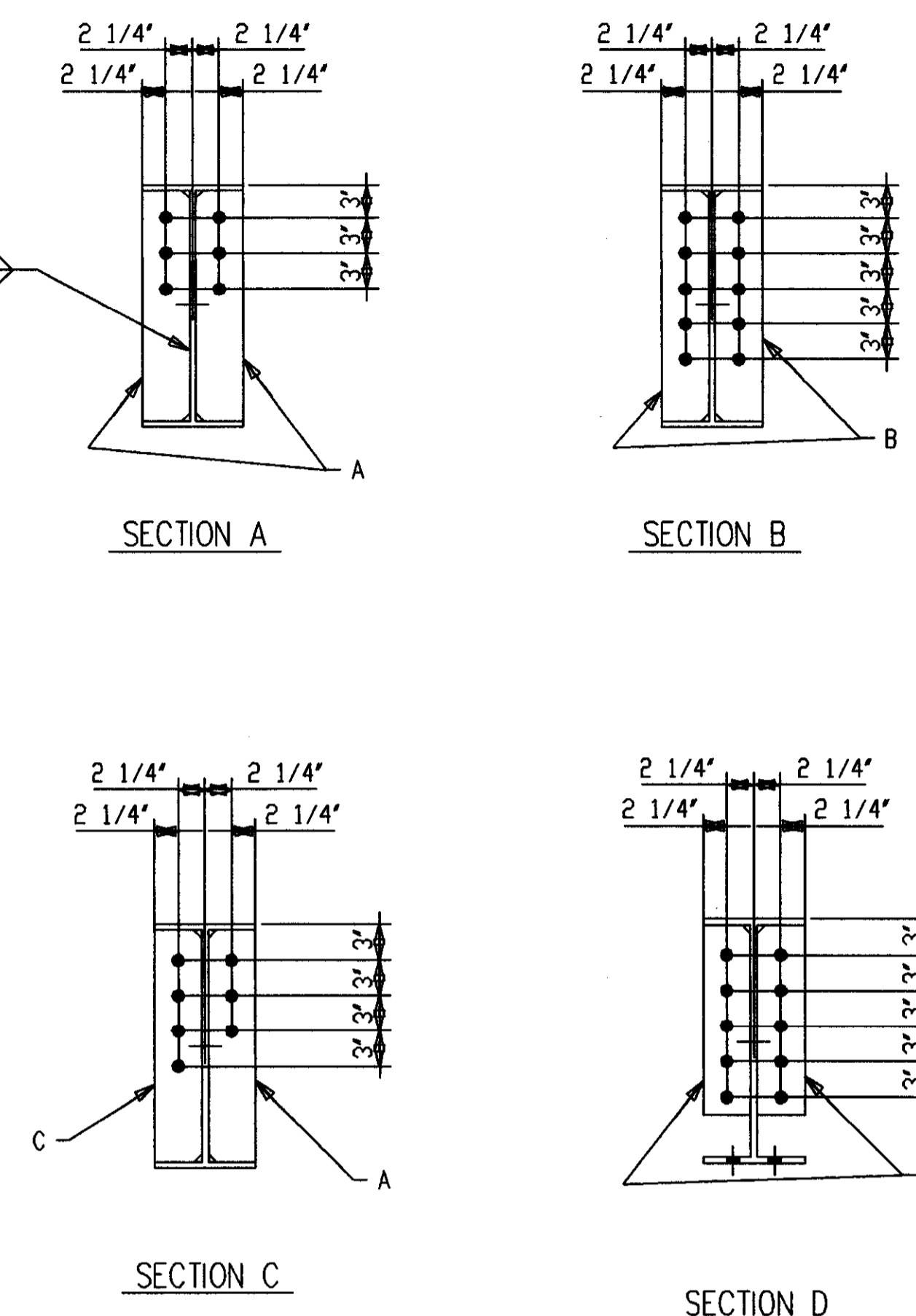
ORDER NO. P3524  
 SHEET NO. 310

BILL OF MATERIAL

SHIP MARK SUB MARK	NO. PCS.	DESCRIPTION	LENGTH		REMARKS
			FT.	IN.	
315B1	ONE	BEAM			
315B1	1	W24X84 A572	25	0-9/16	BC2E/P
A315	2	PL1/2X4-1/4	1	10-5/8	P
B315	4	PL1/2X4-1/4	1	10-5/8	P
D315	2	PL1 A572X4-1/4	0	11	STIFF.
F315	2	PL1/2X4-1/4	1	3-3/4	P
315B2 L	ONE	BEAM			
315B2	1	W24X84 A572	25	0-9/16	BC2E/P
A315	1	PL1/2X4-1/4	1	10-5/8	P
B315	4	PL1/2X4-1/4	1	10-5/8	P
C315	1	PL1/2X4	1	10-5/8	P
D315	2	PL1 A572X4-1/4	0	11	STIFF.
F315	2	PL1/2X4-1/4	1	3-3/4	P
315B2 R	ONE	BEAM			
315B2	1	W24X84 A572	25	0-9/16	BC2E/P
A315	1	PL1/2X4-1/4	1	10-5/8	P
B315	4	PL1/2X4-1/4	1	10-5/8	P
C315	1	PL1/2X4	1	10-5/8	P
D315	2	PL1 A572X4-1/4	0	11	STIFF.
F315	2	PL1/2X4-1/4	1	3-3/4	P
		FIELD BOLTS			
F1640H	22	A490 1X2-1/2			
F1611W	82	A LOAD IND 1			
F1864H	61	A490 1-1/8X4			



ONE-BEAM 315B1  
7-A490 1 X 2 1/2 F1640H  
20-A490 1 1/2 X 4 F1864H



ONE-BEAM 315B2 R [AS SHOWN]  
ONE-BEAM 315B2 L [OPP HAND]  
14-A490 1 X 2 1/2 F1640H  
40-A490 1 1/2 X 4 F1864H

SHOP NOTES:  
2. P=PRIMER ONLY AS DIMENSIONED.  
3. NP=NO PAINT IN 3" WIDE STRIP, CENTER OF BEAM, FULL LENGTH.

AS BUILT  
NAME: *Map Hughes*  
DATE: AUG 16 1999

ALL RE-ENTRANT CUTS MIN. 1/2" RAD. U/N	WELD ELECTRODE E70XX	DATE 9/98	CONTRACTOR TURNER CONSTRUCTION COMPANY
ALL A325 BOLTS w/ONE HARD WASH. AND HVY HEX NUT	SHOP PAINT SEE SPECS	DATE 9/98	ENGINEER WALTER P. MOORE
ALL A307 BOLTS w/HEX NUT	DATE	APP	SHOP
			FIELD

MATERIAL U/N A36  
OPEN HOLES 1 1/16" Ø  
WELD ELECTRODE U/N E70XX  
SHOP PAINT SEE SPECS  
DATE 9/98

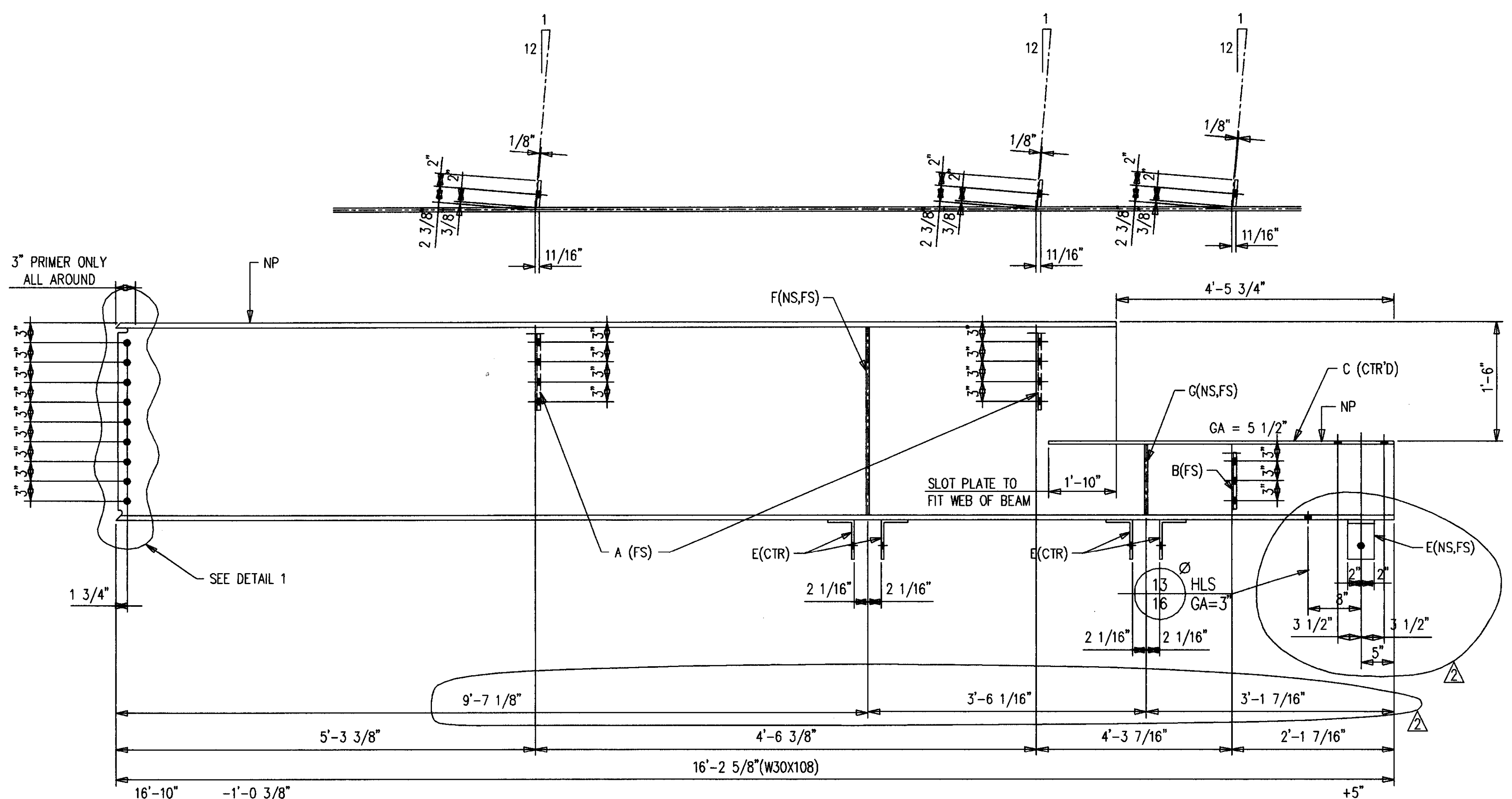
CONTRACTOR TURNER CONSTRUCTION COMPANY  
ENGINEER WALTER P. MOORE

DRAWING TITLE BEAMS

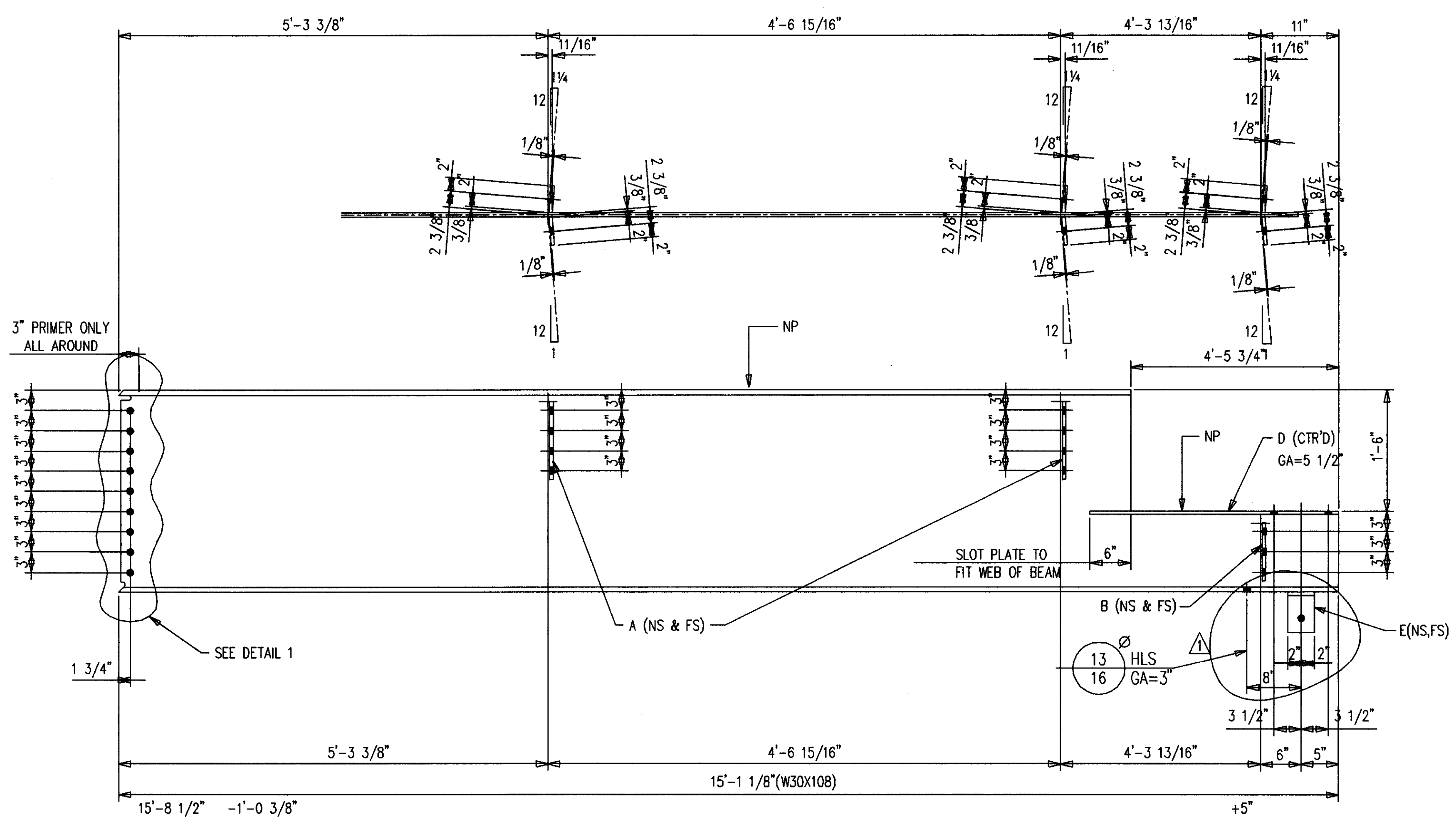
P.O. BOX 11128-2044 BUCK LANE  
LEXINGTON, KENTUCKY 40511  
PHONE: 606-233-4344 FAX: 606-233-4346

ORDER NO. P3524  
SHEET NO. 315

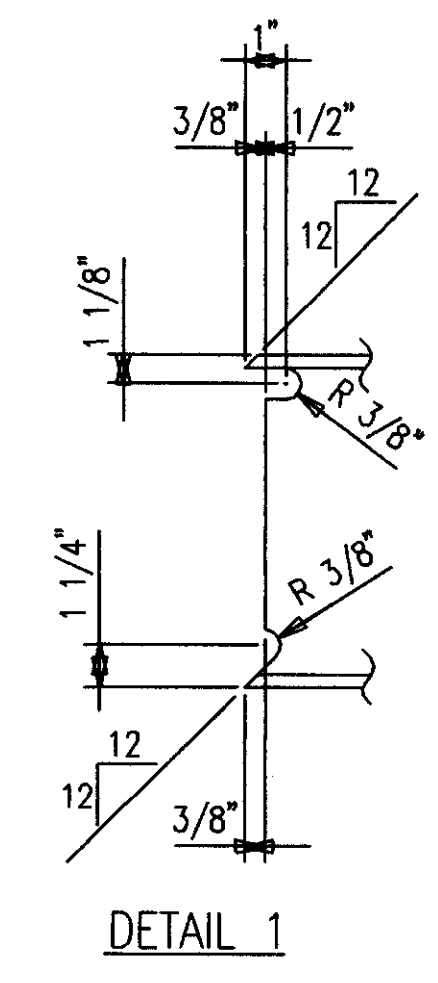
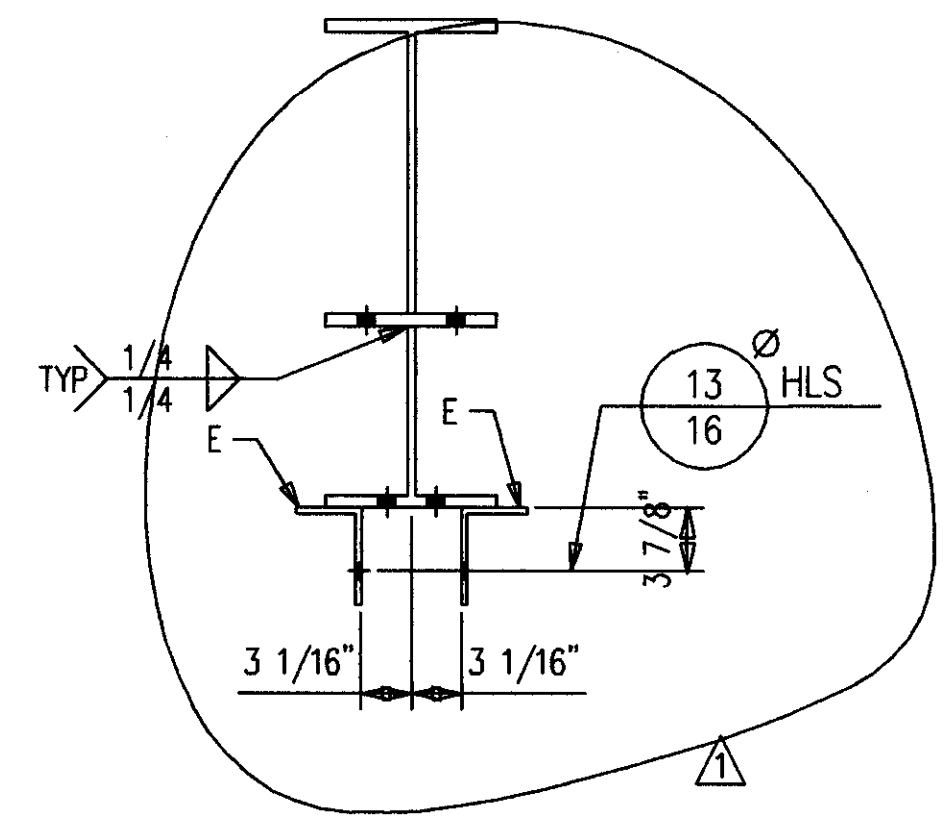
MID STATES STEEL PRODUCTS CO.  
FABRICATORS OF STRUCTURAL AND MISCELLANEOUS STEEL



ONE-BEAM 316B1 R [AS SHOWN]  
 ONE-BEAM 316B1 L [OPP HAND]  
 18-A490 1 X 2 3/4 F1644H



ONE-BEAM 316B2 R [AS SHOWN]  
 ONE-BEAM 316B2 L [OPP HAND]  
 18-A490 1 X 2 3/4 F1644H



DETAIL 1

SHOP NOTES:  
 1. NP=NO PAINT IN 3" WIDE STRIP,  
 CENTER OF BEAM, FULL LENGTH.

BILL OF MATERIAL

SHIP MARK SUB MARK	NO. PCS.	DESCRIPTION	LENGTH		CL LIST	REMARKS
			FT.	IN.		
316B1 L	ONE	BEAM				
316B1	1	W30X108 A572	16	2-5/8		P
A316	2	PL1/2X4	1	0		P
B316	1	PL1/2X4	0	9		P
C316	1	PL3/4X10-1/2	6	3-3/4		P
E316	6	L6X4X5/16	0	4		P
F316	2	PL5/16X5	2	4-3/8		STIFF
G316	2	PL5/16X5	0	10-3/8		STIFF
316B1 R	ONE	BEAM				
316B1	1	W30X108 A572	16	2-5/8		P
A316	2	PL1/2X4	1	0		P
B316	1	PL1/2X4	0	9		P
C316	1	PL3/4X10-1/2	6	3-3/4		P
E316	6	L6X4X5/16	0	4		P
F316	2	PL5/16X5	2	4-3/8		STIFF
G316	2	PL5/16X5	0	10-3/8		STIFF
316B2 L	ONE	BEAM				
316B2	1	W30X108 A572	15	1-1/8		P
A316	4	PL1/2X4	1	0		P
B316	2	PL1/2X4	0	9		P
D316	1	PL3/4X10-1/2	4	11-3/4		P
E316	2	L6X4X5/16	0	4		P
316B2 R	ONE	BEAM				
316B2	1	W30X108 A572	15	1-1/8		P
A316	4	PL1/2X4	1	0		P
B316	2	PL1/2X4	0	9		P
D316	1	PL3/4X10-1/2	4	11-3/4		P
E316	2	L6X4X5/16	0	4		P
		FIELD BOLTS				
		F1644H A490 1X2-3/4				
		F1611W A LOAD IND 1				

AS BUILT  
 NAME: *Map*  
 DATE: AUG 16 1999

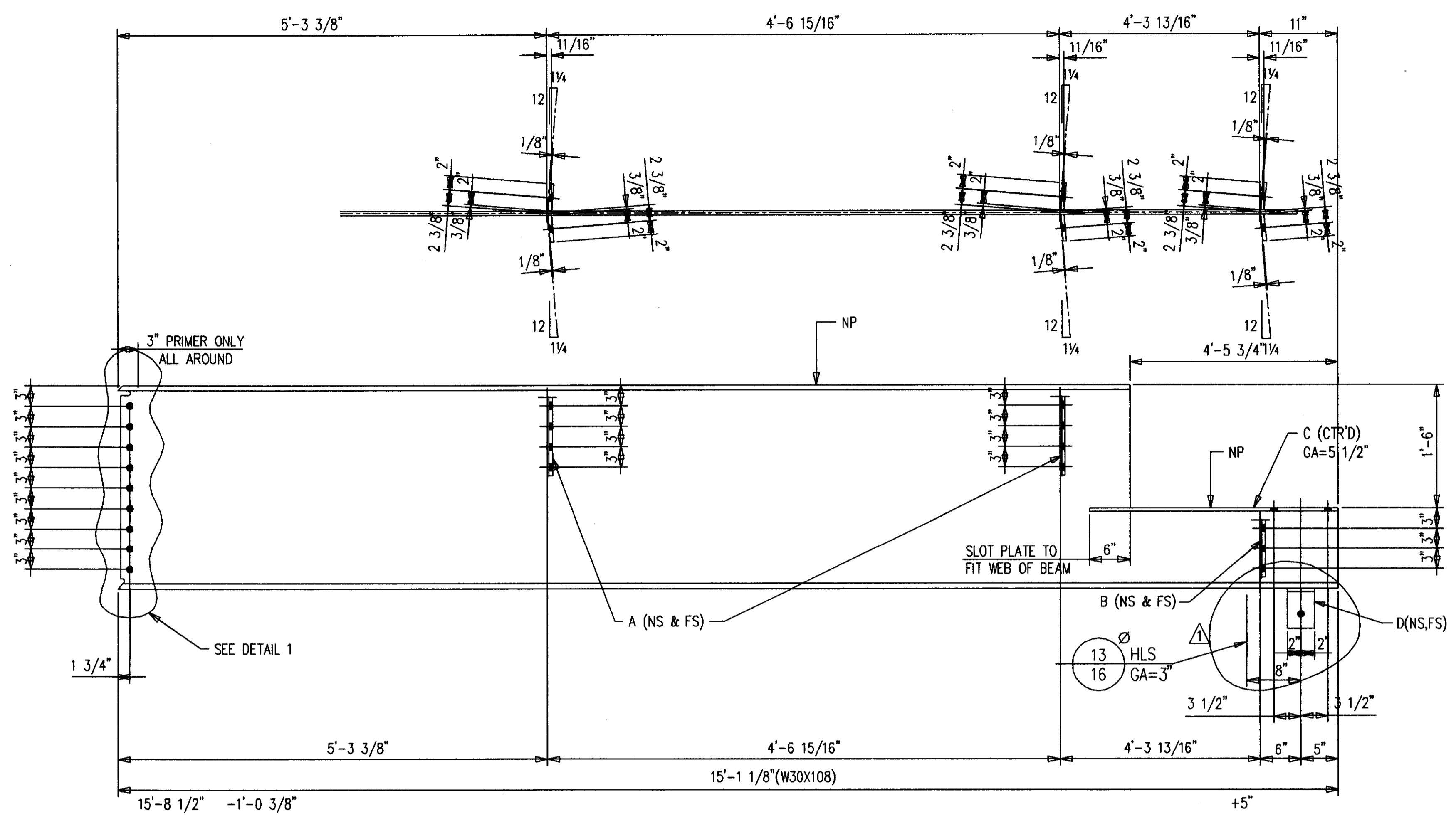
ALL RE-ENTRANT CUTS  
 MIN. 1/2" RAD. U/N  
 ALL A325 BOLTS W/ONE  
 HARD WASH. AND HVY HEX NUT  
 ALL A307 BOLTS  
 W/HEX NUT

2	1/19/99	ADDED WALKWAY CONNECTION TO "B1 R/L"		
1	1/11/99	ADDED WALKWAY CONNECTION		
NO.	DATE	REVISION DESCRIPTION	DWN	LDG
CONTRACTOR TO CHECK ALL DIMENSIONS AT JOB AS MID STATES STEEL PRODUCTS CO. ASSUMES NO RESPONSIBILITY FOR GENERAL BUILDING DIMENSIONS. NO BACK CHARGES PERTAINING TO THIS WORK WILL BE ACCEPTED WITHOUT PRIOR AUTHORIZATION BY MID STATES STEEL PRODUCTS CO.				
MATERIAL U/N	A36	DRAWN BY	JWM	JOB NAME
OPEN HOLES U/N	1 1/2" Ø	DATE	9/98	COMMONWEALTH STADIUM EXPANSION
WELD ELECTRODE U/N	E70XX	CHECKED BY	GCL	JOB LOCATION
SHOP PAINT	SEE SPECS	DATE	9/98	UNIVERSITY OF KENTUCKY
DRAWING TITLE	BEAMS	CONTRACTOR	TURNER CONSTRUCTION COMPANY	
		ENGINEER	WALTER P. MOORE	

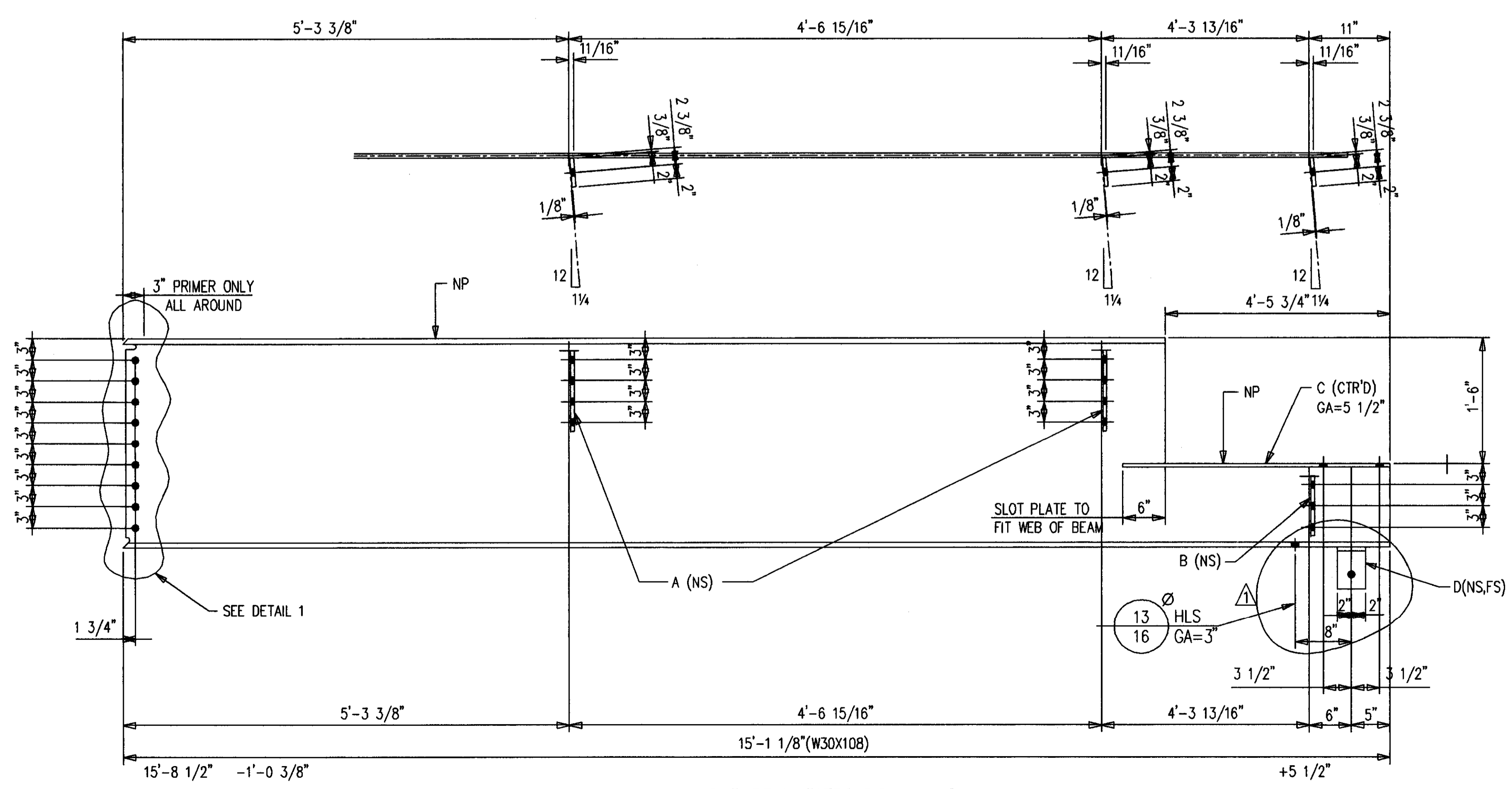
MID STATES STEEL PRODUCTS CO.  
 FABRICATORS OF STRUCTURAL AND MISCELLANEOUS STEEL  
 P.O. BOX 11128-2044 BUCK LANE  
 LEXINGTON, KENTUCKY 40511  
 PHONE: 606-233-4344 FAX: 606-233-4346

ORDER NO.  
 P3524  
 SHEET NO.  
 316

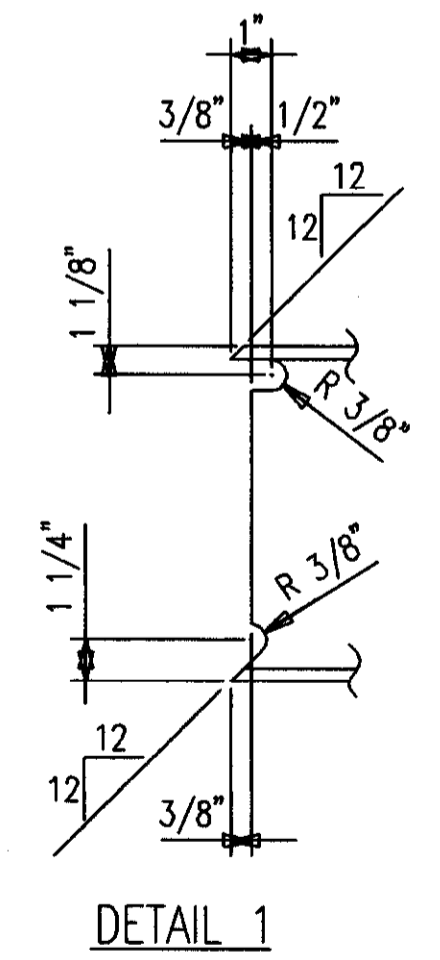
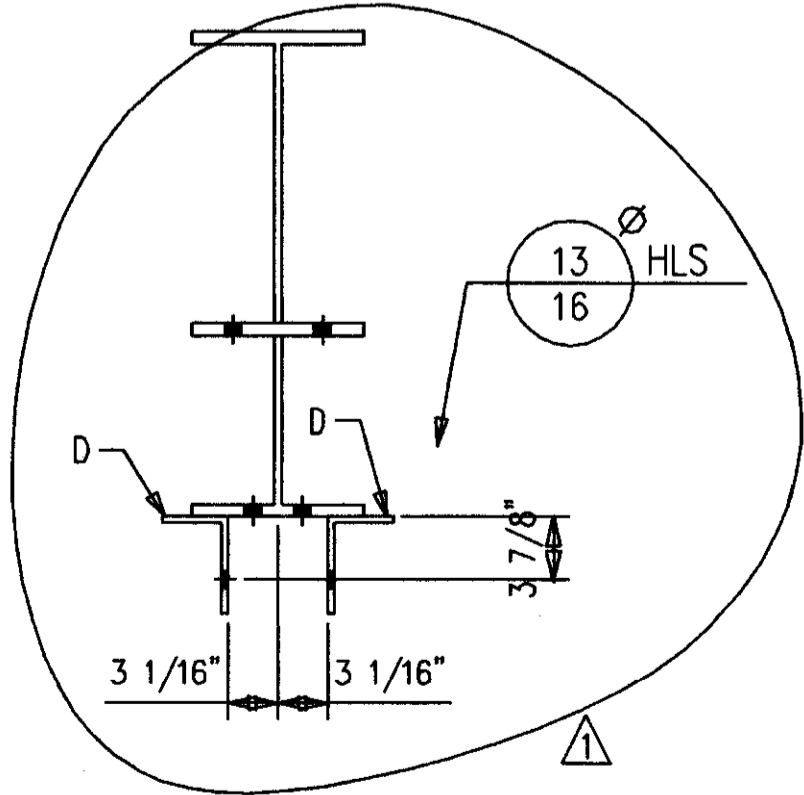
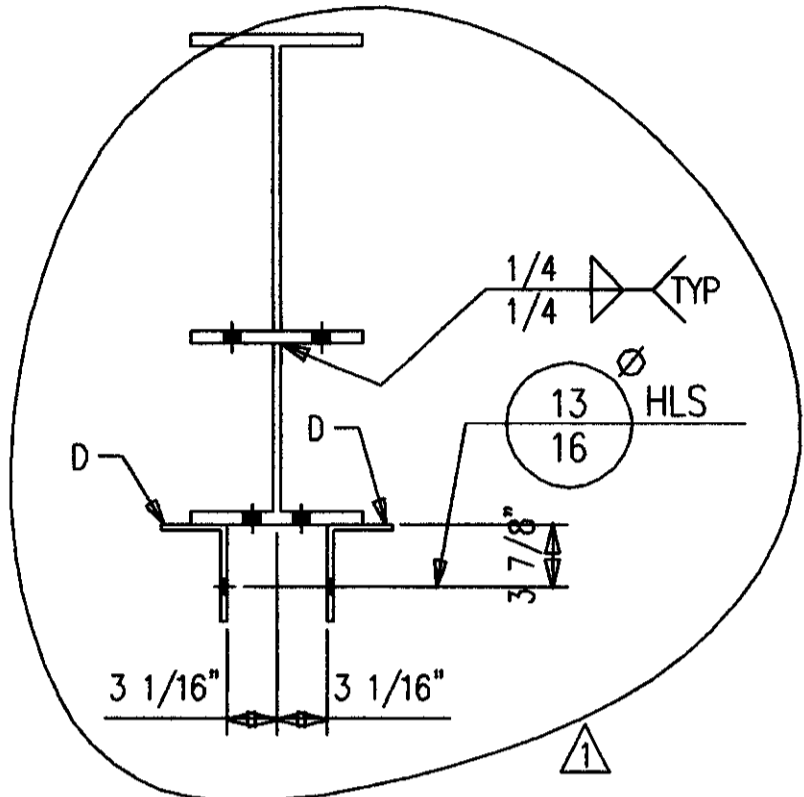
Document #  
 34700  
 Cab #  
 206  
 A-1



2-BEAMS 317B1 R [AS SHOWN]  
 2-BEAMS 317B1 L [OPP HAND]  
 36-A490 1 X 2 3/4 F1644H



ONE-BEAM 317B2 R [AS SHOWN]  
 ONE-BEAM 317B2 L [OPP HAND]  
 18-A490 1 X 2 3/4 F1644H

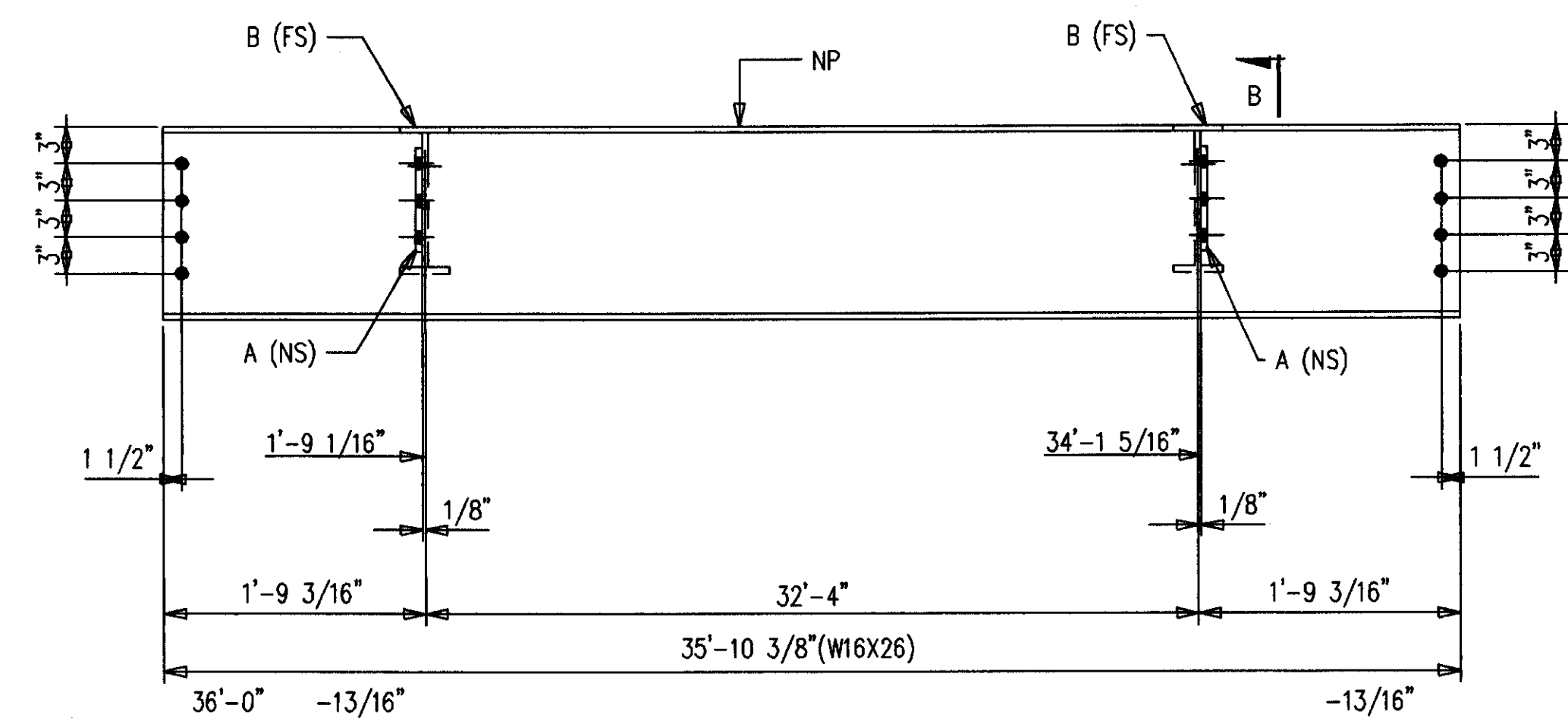


**AS BUILT**  
 NAME: *Max Hughes*  
 DATE: **AUG 16 1999**

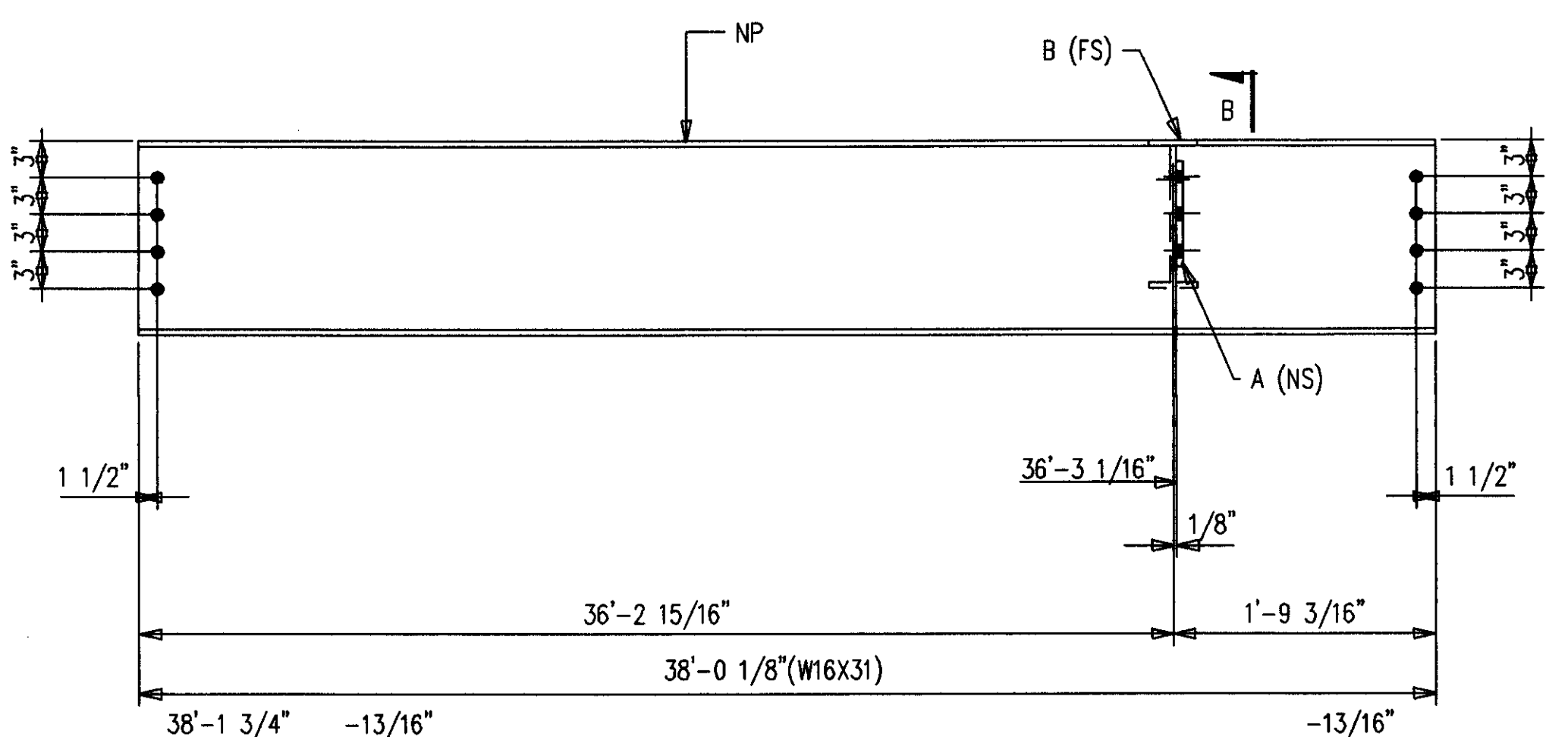
SHOP NOTES:  
 1. NP=NO PAINT IN 3" WIDE STRIP, CENTER OF BEAM, FULL LENGTH.

BILL OF MATERIAL						
SHIP MARK SUB MARK	NO. PCS.	DESCRIPTION	LENGTH		CL LIST	REMARKS
			FT.	IN.		
317B1 L	2	BEAMS				
317B1	2	W30X108 A572	15	1-1/8		P
A317	8	PL1/2X4	1	0		P
B317	4	PL1/2X4	0	9		P
C317	2	PL3/4X10-1/2	4	11-3/4		P
D317	4	L6X4X1/4	0	4		P
317B1 R	2	BEAMS				
317B1	2	W30X108 A572	15	1-1/8		P
A317	8	PL1/2X4	1	0		P
B317	4	PL1/2X4	0	9		P
C317	2	PL3/4X10-1/2	4	11-3/4		P
D317	4	L6X4X1/4	0	4		P
317B2 L	ONE	BEAM				
317B2	1	W30X108 A572	15	1-1/8		P
A317	2	PL1/2X4	1	0		P
B317	1	PL1/2X4	0	9		P
C317	1	PL3/4X10-1/2	4	11-3/4		P
D317	2	L6X4X1/4	0	4		P
317B2 R	ONE	BEAM				
317B2	1	W30X108 A572	15	1-1/8		P
A317	2	PL1/2X4	1	0		P
B317	1	PL1/2X4	0	9		P
C317	1	PL3/4X10-1/2	4	11-3/4		P
D317	2	L6X4X1/4	0	4		P
F1644H	55	A490 1X2-3/4				
F16LIW	55	A LOAD IND 1				

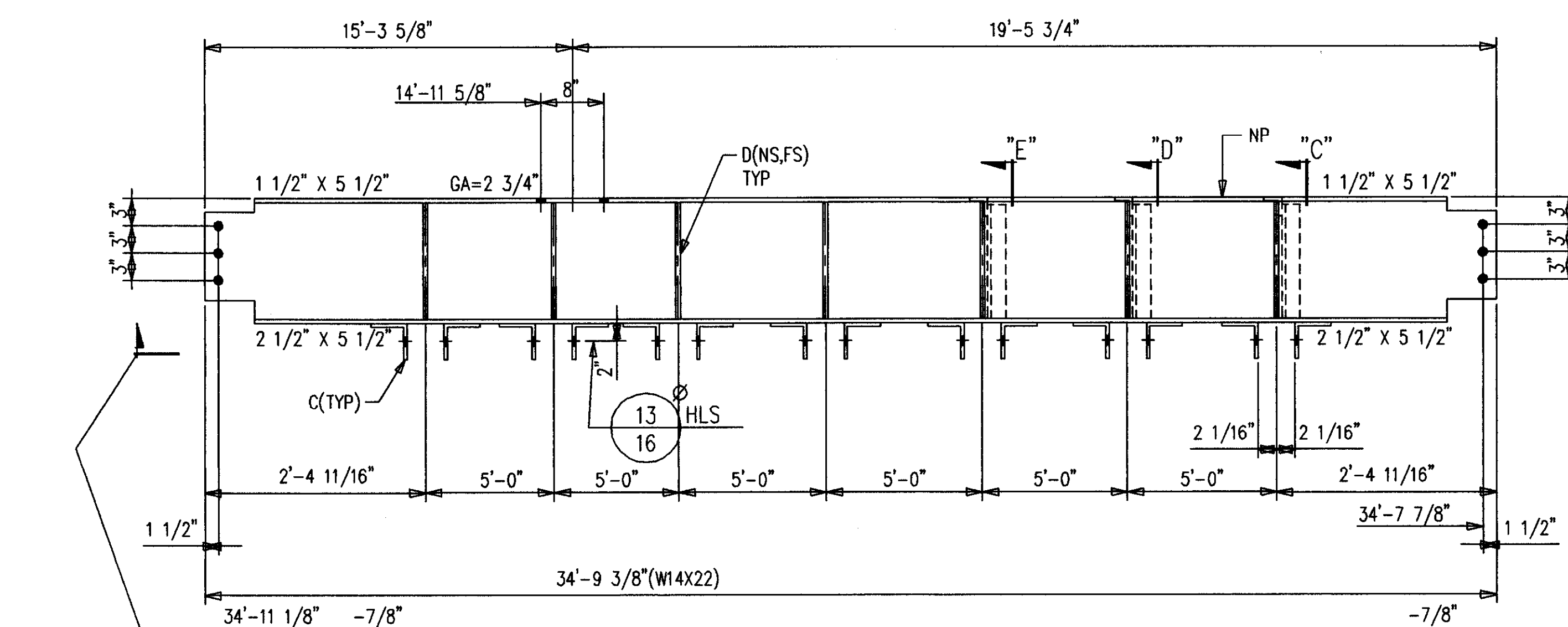
1 1/11/99		ADDED WALKWAY CONNECTION	
REVISION DESCRIPTION			
CONTRACTOR TO CHECK ALL DIMENSIONS AT JOB AS MID STATES STEEL PRODUCTS CO. ASSUMES NO RESPONSIBILITY FOR GENERAL BUILDING DIMENSIONS. NO BACK CHARGES PERTAINING TO THIS WORK WILL BE ACCEPTED WITHOUT PRIOR AUTHORIZATION BY MID STATES STEEL PRODUCTS CO.			
MATERIAL U/M	A36	DRAWN BY	JWM
OPEN HOLES U/M	1 1/16" Ø	DATE	9/98
WELD ELECTRODE U/M	E70XX	CHECKED BY	GCL
SHOP PAINT	SEE SPECS	DATE	9/98
DRAWING TITLE		BEAMS	
DATE	APP	SHOP	FIELD
P.O. BOX 11128-2044 BUCK LANE LEXINGTON, KENTUCKY 40511 PHONE: 606-233-4344 FAX: 606-233-4346		ORDER NO.	P3524
MID STATES STEEL PRODUCTS CO. FABRICATORS OF STRUCTURAL AND MISCELLANEOUS STEEL		SHEET NO.	317



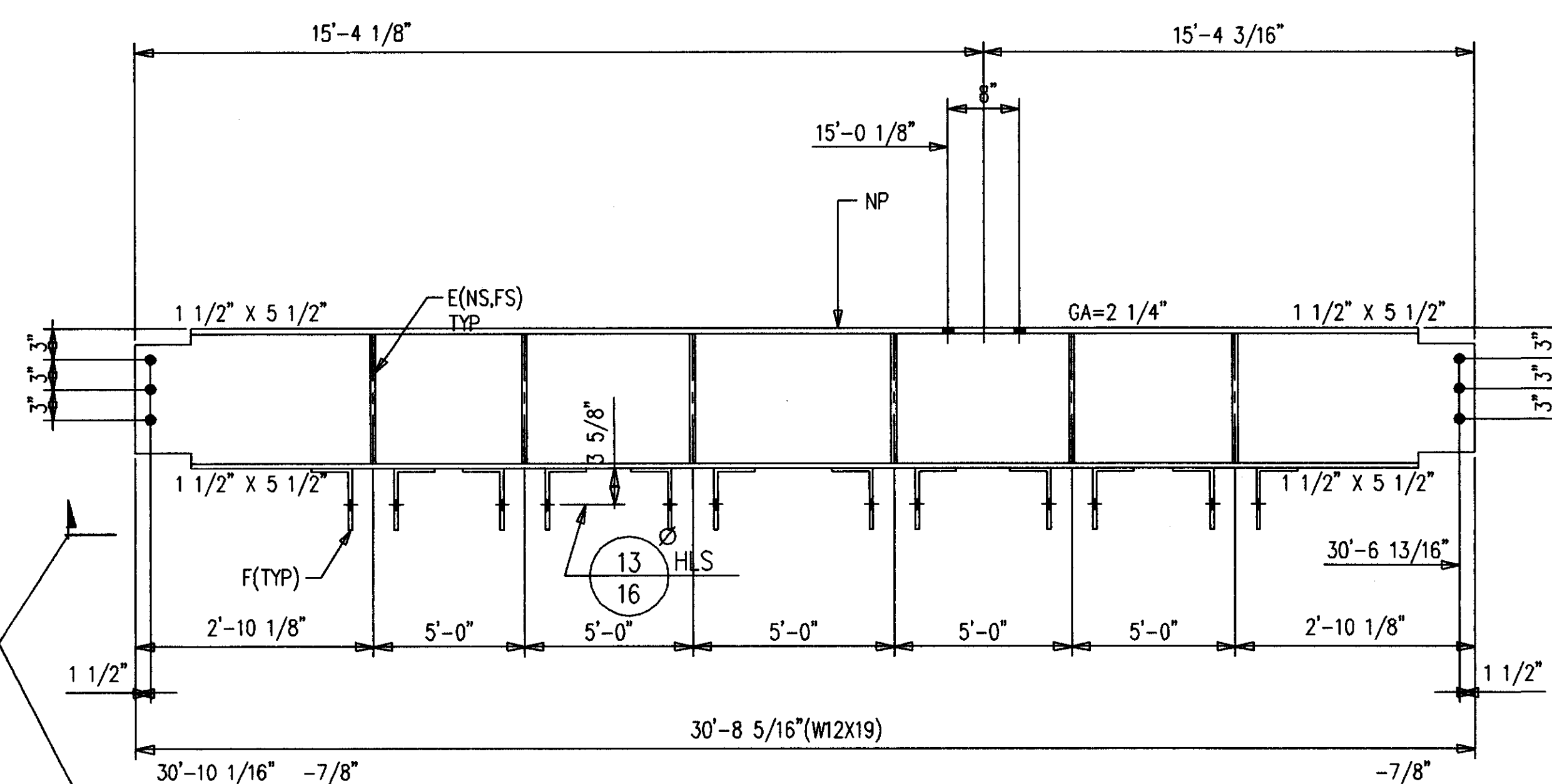
2-BEAMS 319B1  
16-A490 1 X 2 1/4 F1636H  
CAMBER UP = 1/2" @ CENTER LINE



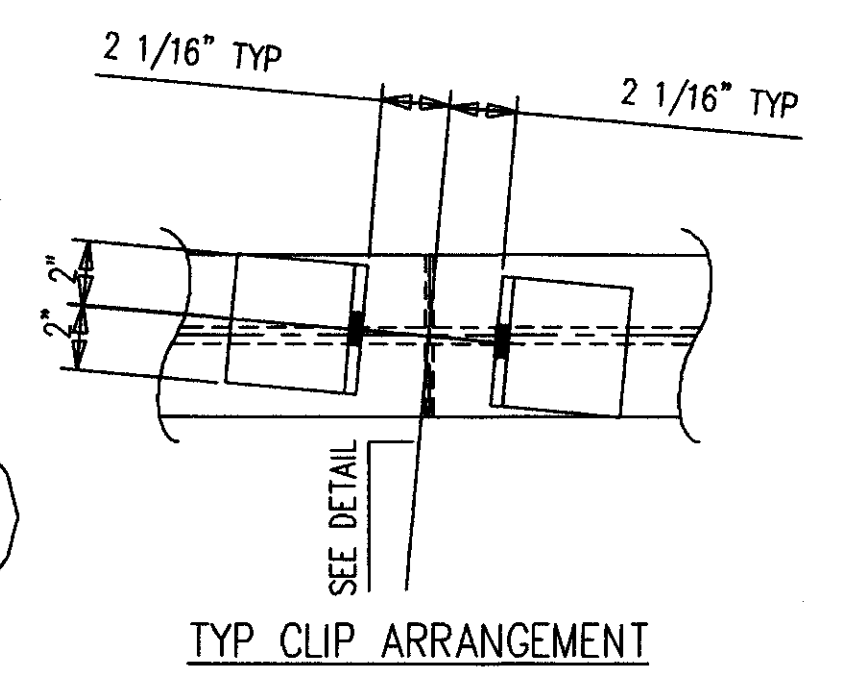
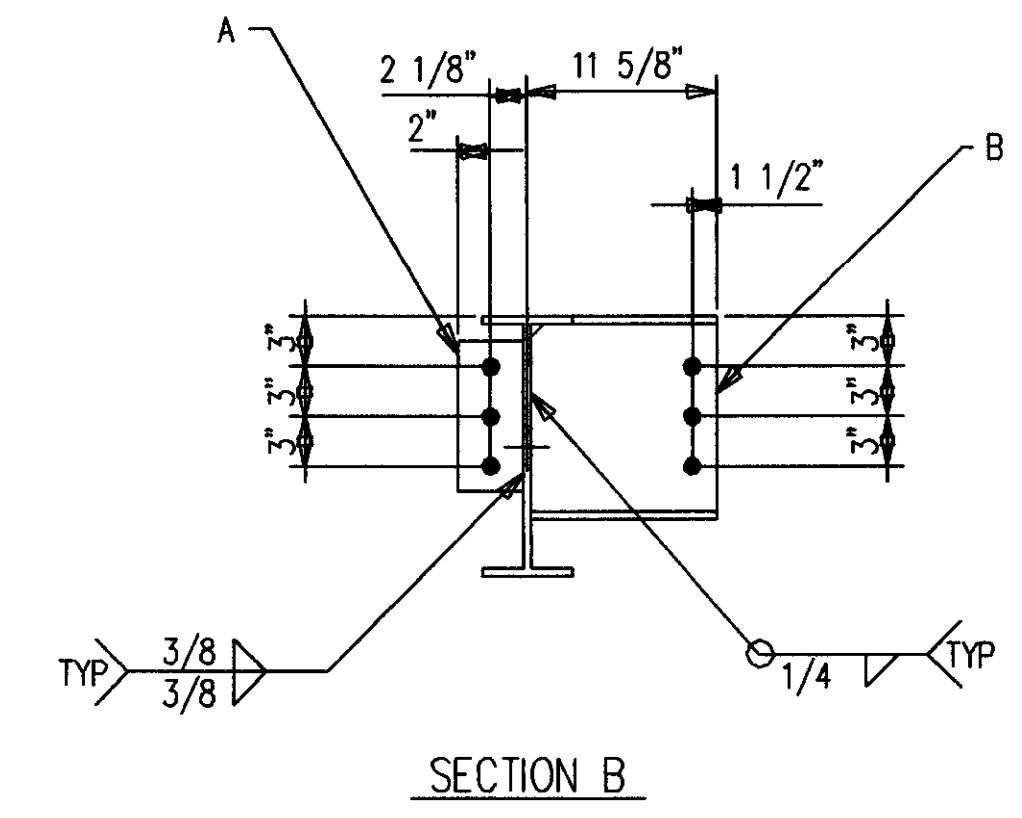
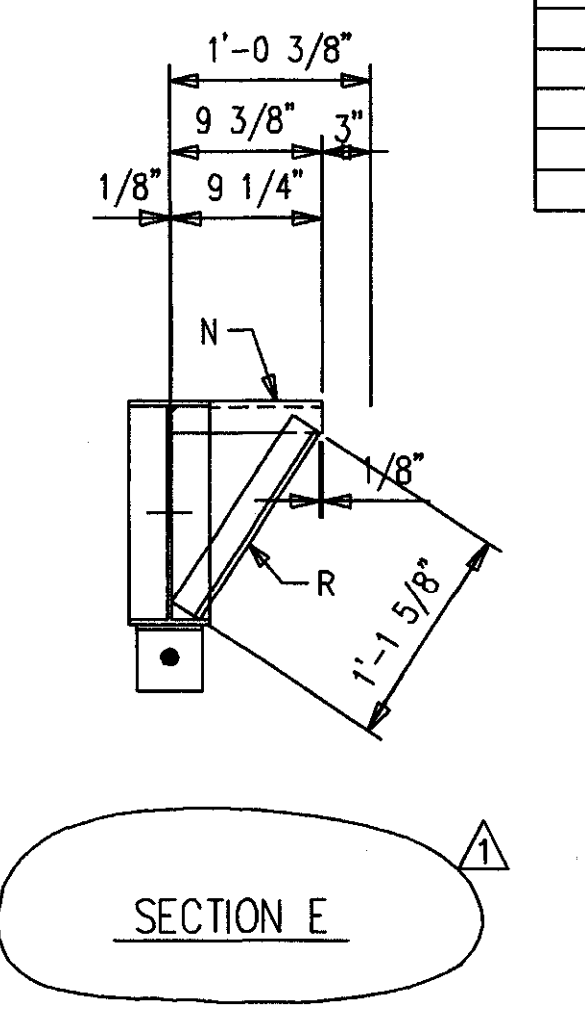
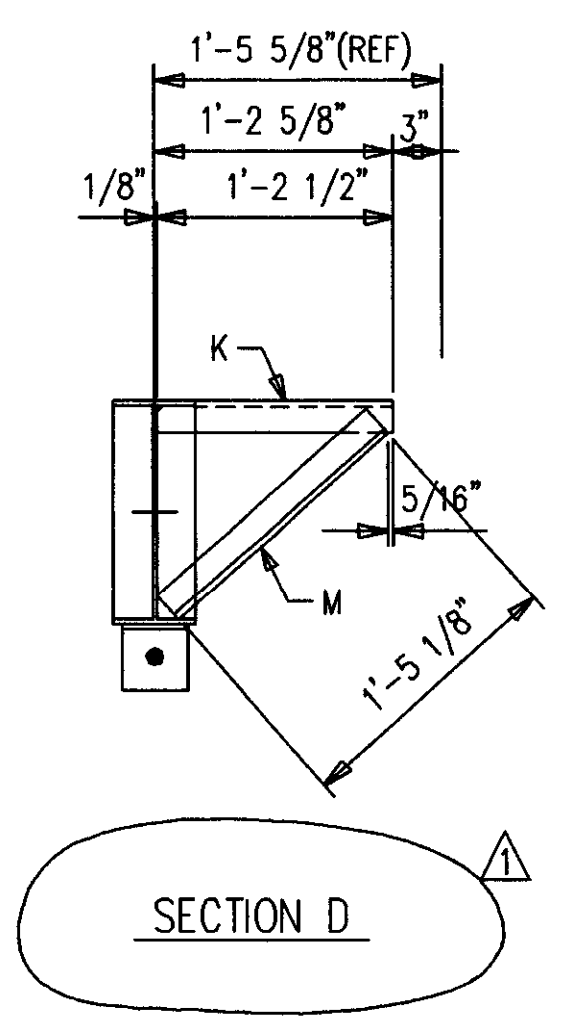
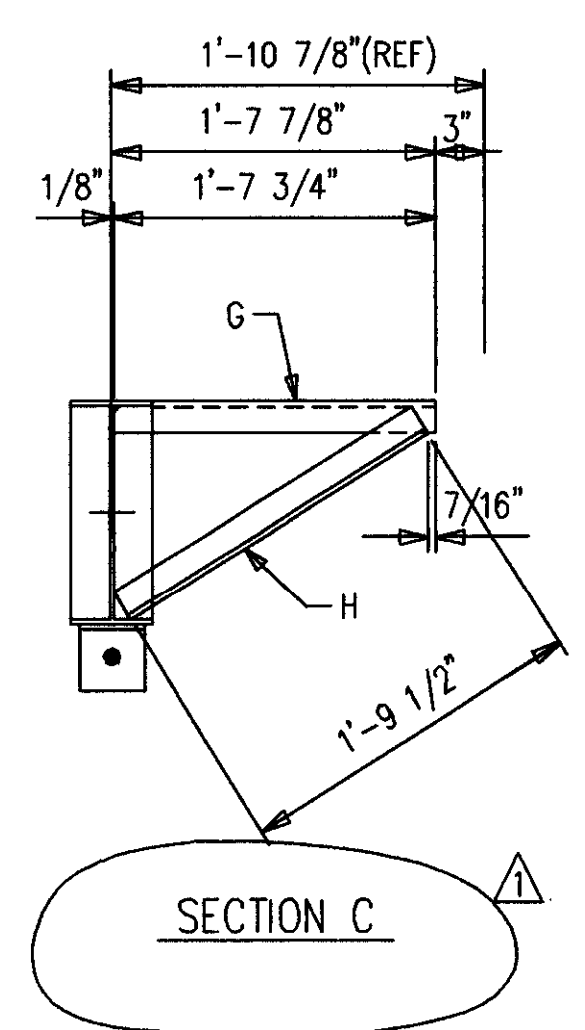
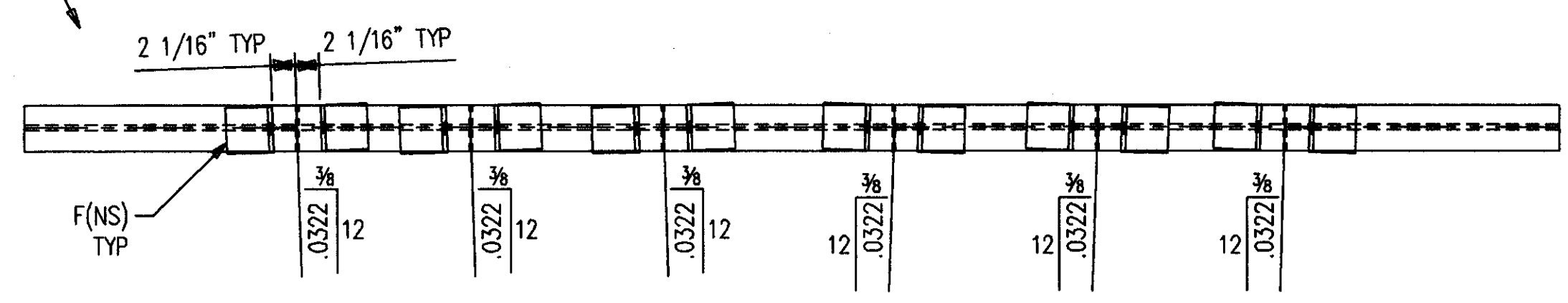
ONE-BEAM 319B2 R [AS SHOWN]  
ONE-BEAM 319B2 L [OPP HAND]  
16-A490 1 X 2 1/4 F1636H  
CAMBER UP = 1/2" @ CENTER LINE



ONE-BEAM 319B3 R [AS SHOWN]  
ONE-BEAM 319B3 L [OPP HAND]  
12-A490 1 X 2 1/4 F1636H  
CAMBER UP = 1 1/2" @ CENTER LINE



6-BEAMS 319B4  
36-A490 1 X 2 1/4 F1636H  
CAMBER UP = 1/4" @ CENTER LINE



SHOP NOTES:  
1. NP=NO PAINT IN 3" WIDE STRIP, CENTER OF BEAM, FULL LENGTH.

AS BUILT  
NAME: *Walter Moore*  
DATE: AUG 16 1999

BILL OF MATERIAL

SHIP MARK SUB MARK	NO. PCS.	DESCRIPTION	LENGTH		CL UST	REMARKS
			FT.	IN.		
319B1	2	BEAMS				
319B1	2	W16X26 A572	35	10-3/8		
A319	4	PL1/2X4	0	9		P
B319	4	W12X16 A572	0	11-1/2		P/CTF
319B2 L	ONE	BEAM				
319B2	1	W16X31 A572	38	0-1/8		
A319	1	PL1/2X4	0	9		P
B319	1	W12X16 A572	0	11-1/2		P/CTF
319B2 R	ONE	BEAM				
319B2	1	W16X31 A572	38	0-1/8		
A319	1	PL1/2X4	0	9		P
B319	1	W12X16 A572	0	11-1/2		P/CTF
319B3 R	ONE	BEAM				
319B3	ONE	W14X22 A572	34	9-3/8		P
C319	9	L4X4X1/4	0	4		P
D319	9	PL5/16X2-3/8	1	1-1/8		STIFF
G319	1	L2X2X3/16	1	7-3/4		CTF
H319	1	L2X2X3/16	1	9-1/2		CTF
K319	1	L2X2X3/16	1	2-1/2		CTF
M319	1	L2X2X3/16	1	5-1/8		CTF
N319	1	L2X2X3/16	0	9-1/4		CTF
R319	1	L2X2X3/16	1	1-5/8		
319B3 L	ONE	BEAM				
319B3	ONE	W14X22 A572	34	9-3/8		P
C319	9	L4X4X1/4	0	4		P
D319	9	PL5/16X2-3/8	1	1-1/8		STIFF
G319	1	L2X2X3/16	1	7-3/4		CTF
H319	1	L2X2X3/16	1	9-1/2		CTF
K319	1	L2X2X3/16	1	2-1/2		CTF
M319	1	L2X2X3/16	1	5-1/8		CTF
N319	1	L2X2X3/16	0	9-1/4		CTF
R319	1	L2X2X3/16	1	1-5/8		
319B4	6	BEAMS				
319B4	6	W12X19 A572	30	8-5/16		P
E319	72	PL5/16X1-7/8	0	11-3/8		STIFF
F319	72	L6X4X5/16	0	4		P
		FIELD BOLTS				
F1636H	81	A490 1X2-1/4				
F16LIW	81	A LOAD IND 1				

1 1/18/99 ADDED WINDOW WASHER WALKWAY CONNECTIONS AND OUTRIGGERS

CONTRACTOR TO CHECK ALL DIMENSIONS AT JOB AS MID STATES STEEL PRODUCTS CO. ASSUMES NO RESPONSIBILITY FOR GENERAL BUILDING DIMENSIONS. NO BACK CHARGES PERTAINING TO THIS WORK WILL BE ACCEPTED WITHOUT PRIOR AUTHORIZATION BY MID STATES STEEL PRODUCTS CO.

MATERIAL U/N A36 DRAWN BY JWM JOB NAME COMMONWEALTH STADIUM EXPANSION  
OPEN HOLES U/N DATE 9/98 JOB LOCATION UNIVERSITY OF KENTUCKY  
WELD ELECTRODE E70XX CHECKED BY GCL CONTRACTOR TURNER CONSTRUCTION COMPANY  
SHOP PAINT SEE SPECS DATE 9/98 ENGINEER WALTER P. MOORE

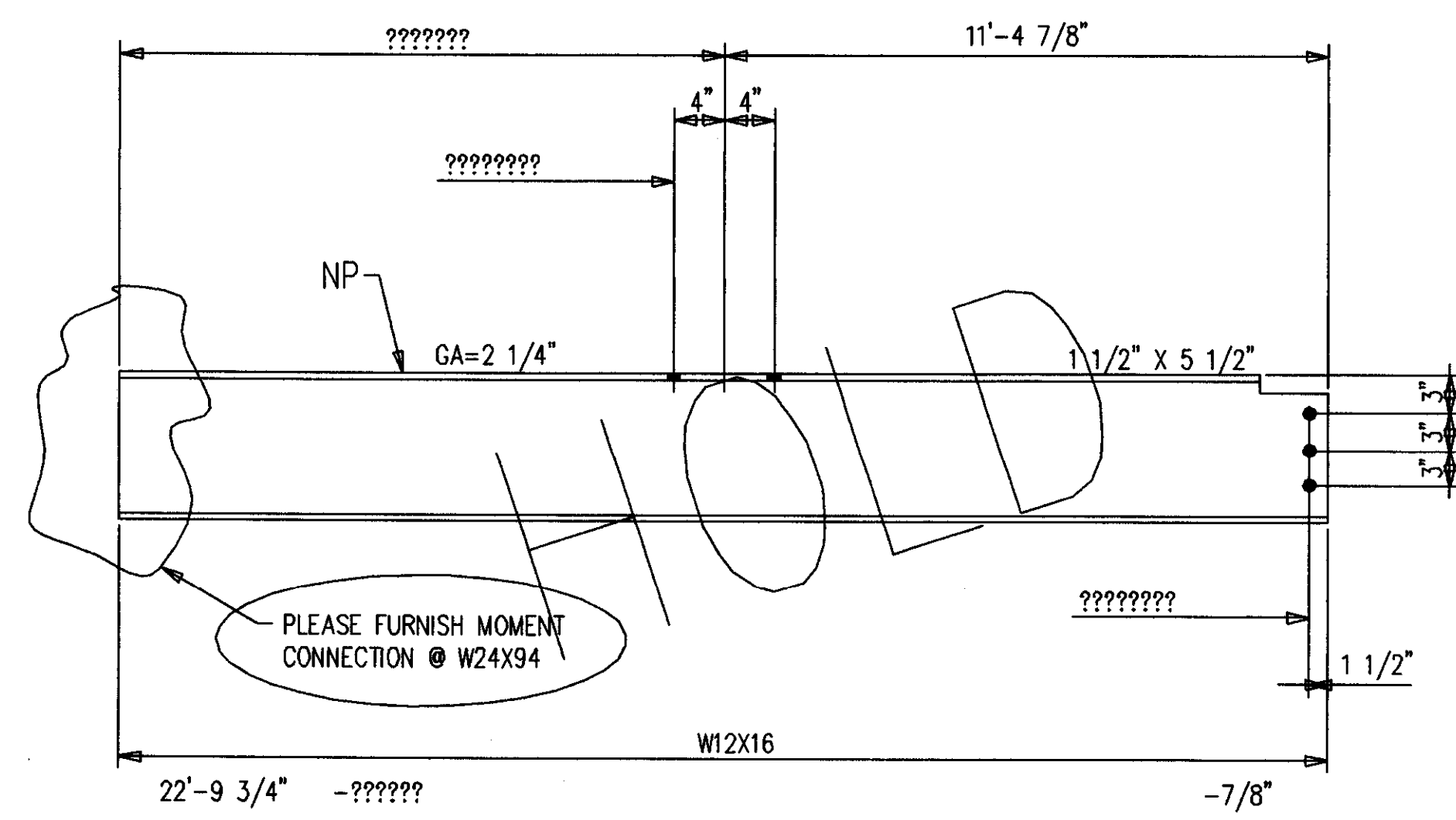
ALL RE-ENTRANT CUTS MIN. 1/2" RAD. U/N  
ALL A325 BOLTS w/ONE HARD WASH. AND HVY HEX NUT  
ALL A307 BOLTS w/HEX NUT

DRAWING TITLE BEAMS

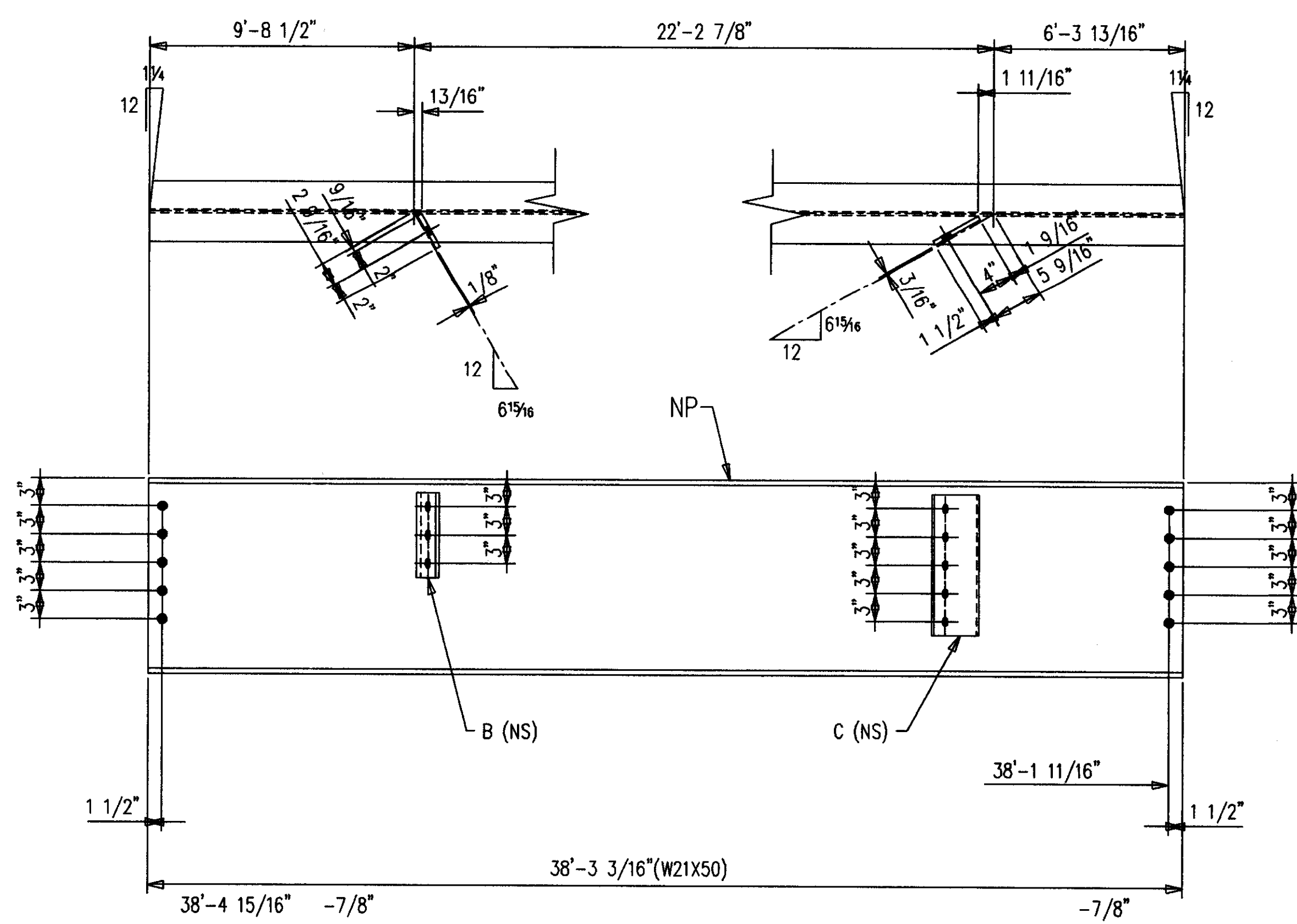
MID STATES STEEL PRODUCTS CO.  
FABRICATORS OF STRUCTURAL AND MISCELLANEOUS STEEL

P.O. BOX 11128-2044 BUCK LANE  
LEXINGTON, KENTUCKY 40511  
PHONE: 606-233-4344 FAX: 606-233-4346

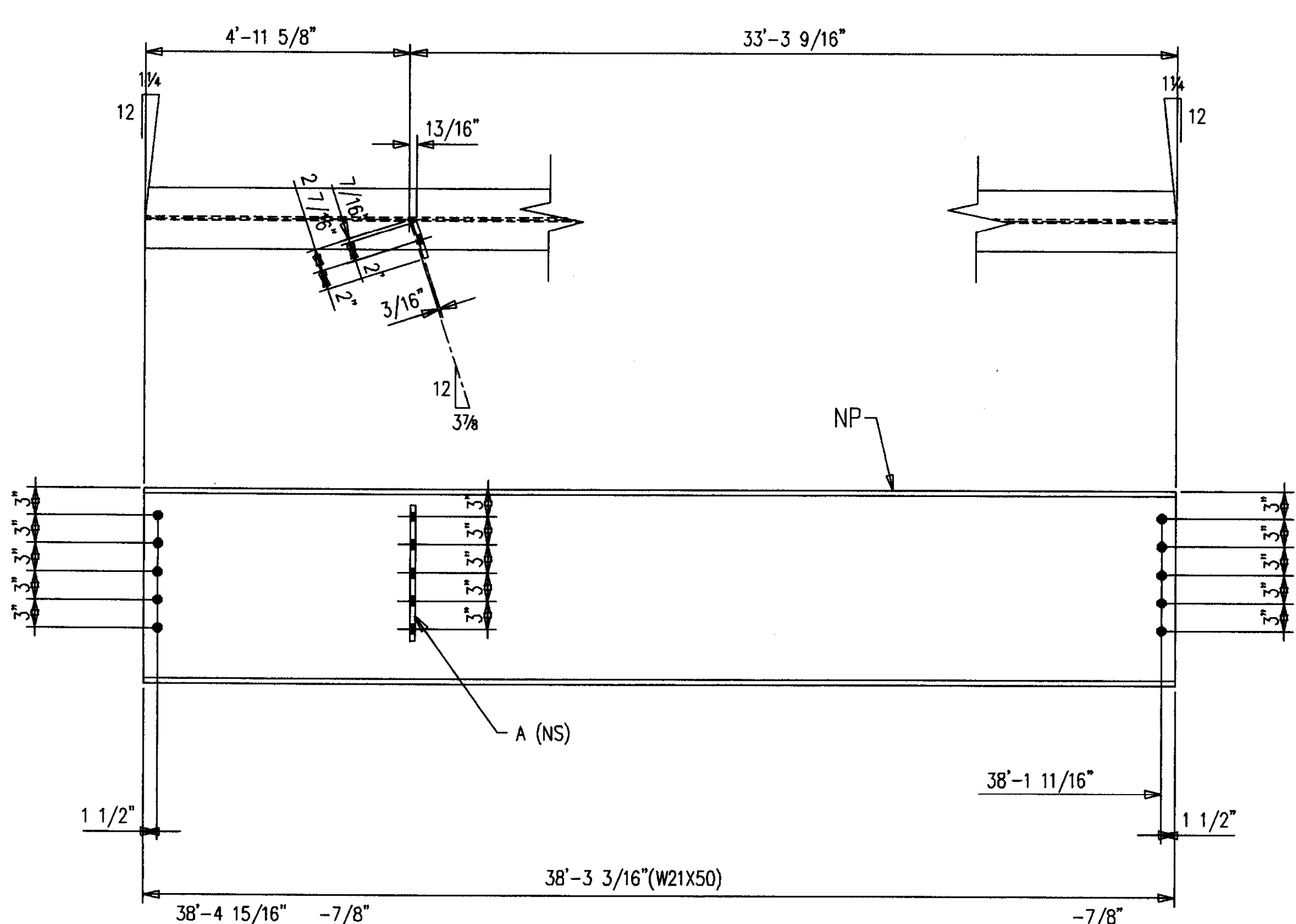
ORDER NO. P3524  
SHEET NO. 319



ONE-BEAM 320B1 R [AS SHOWN]  
 ONE-BEAM 320B1 L [OPP HAND]  
 6-A490 1 X 2 F1632H



ONE-BEAM 320B3 R [AS SHOWN]  
 ONE-BEAM 320B3 L [OPP HAND]  
 20-A490 1 X 2 1/4 F1636H



ONE-BEAM 320B2 R [AS SHOWN]  
 ONE-BEAM 320B2 L [OPP HAND]  
 20-A490 1 X 2 1/4 F1636H

SHOP NOTES:  
 1. NP=NO PAINT IN 3" WIDE STRIP,  
 CENTER OF BEAM, FULL LENGTH.

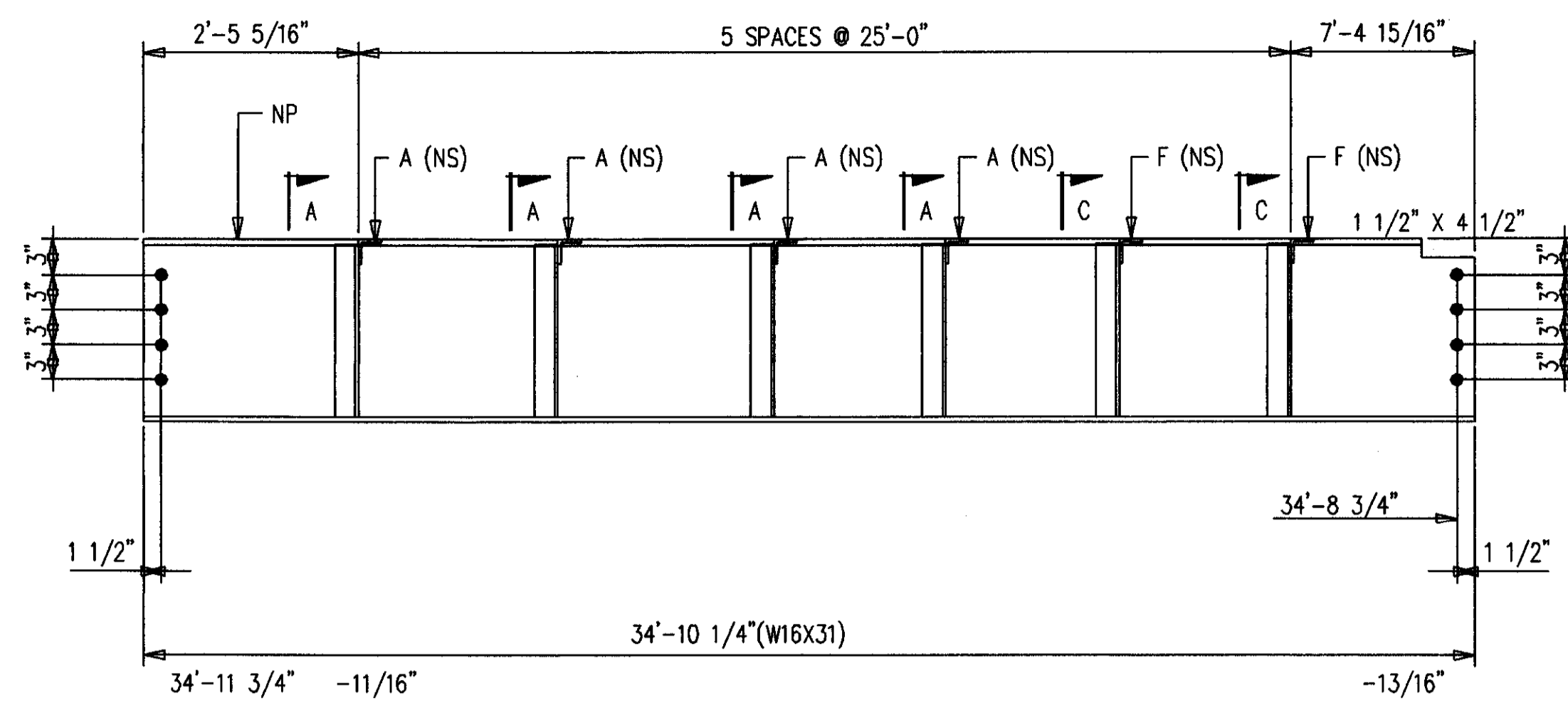
BILL OF MATERIAL

SHIP MARK SUB MARK	NO. PCS.	DESCRIPTION	LENGTH		CL LIST	REMARKS
			FT.	IN.		
320B1 L 320B1	ONE 1	BEAM W12X16 A572				P
320B1 R 320B1	ONE 1	BEAM W12X16 A572				P
320B2 L 320B2 A320	ONE 1 1	BEAM W21X50 A572 PL1/2X4	38	3-3/16		P P
320B2 R 320B2 A320	ONE 1 1	BEAM W21X50 A572 PL1/2X4	38	3-3/16		P P
320B3 L 320B3 B320 C320	ONE 1 1 1	BEAM W21X50 A572 PL1/2X4 PL1/2X6	38	3-3/16		P P P
320B3 R 320B3 B320 C320	ONE 1 1 1	BEAM W21X50 A572 PL1/2X4 PL1/2X5-1/2	38	3-3/16		P P P
		FIELD BOLTS				
F1632H	7	A490 1X2				
F1636H	41	A490 1X2-1/4				
F16L1W	41	A LOAD IND 1				

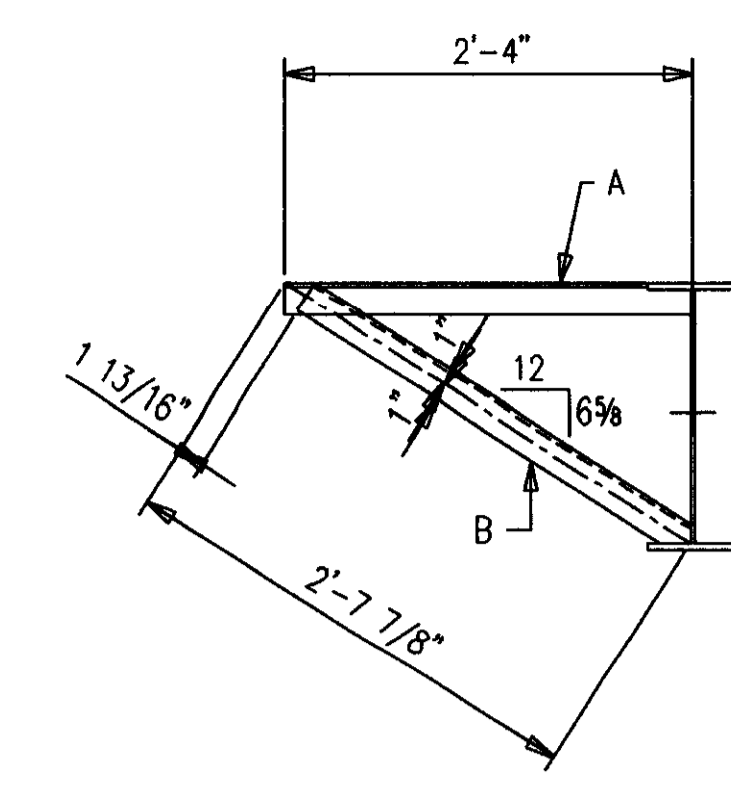
AS BUILT  
 NAME: *Walter Moore*  
 DATE: AUG 16 1999

NO. DATE		REVISION DESCRIPTION		DWN	CKD
CONTRACTOR TO CHECK ALL DIMENSIONS AT JOB AS MID STATES STEEL PRODUCTS CO. ASSUMES NO RESPONSIBILITY FOR GENERAL BUILDING DIMENSIONS. NO BACK CHARGES PERTAINING TO THIS WORK WILL BE ACCEPTED WITHOUT PRIOR AUTHORIZATION BY MID STATES STEEL PRODUCTS CO.					
MATERIAL U/N	A36	DRAWN BY	JWM	JOB NAME	COMMONWEALTH STADIUM EXPANSION
OPEN HOLES U/N	1 1/16" Ø	DATE	9/98	JOB LOCATION	UNIVERSITY OF KENTUCKY
WELD ELECTRODE U/N	E70XX	CHECKED BY	GCL	CONTRACTOR	TURNER CONSTRUCTION COMPANY
SHOP PAINT	SEE SPECS	DATE	9/98	ENGINEER	WALTER P. MOORE
ALL RE-ENTRANT CUTS MIN. 1/2" RAD. U/N		ALL A325 BOLTS w/ONE HARD WASH. AND HYV HEX NUT			
ALL A307 BOLTS w/HEX NUT		DRAWING TITLE: BEAMS			
DATE	APP	SHOP	FIELD	P.O. BOX 11128-2044 BUCK LANE LEXINGTON, KENTUCKY 40511 PHONE: 606-233-4344 FAX: 606-233-4346	
				ORDER NO.	P3524
				SHEET NO.	320

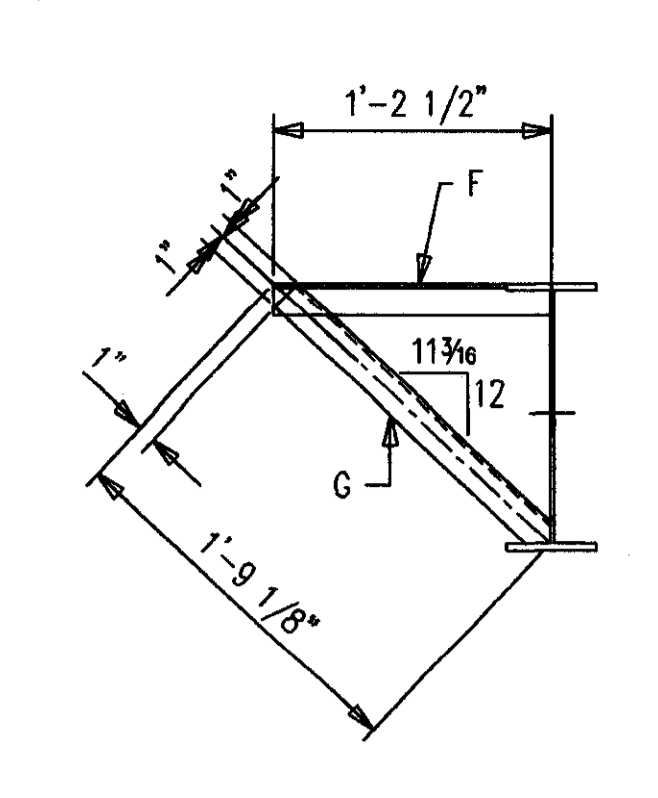
MID STATES STEEL PRODUCTS CO.  
 FABRICATORS OF STRUCTURAL AND MISCELLANEOUS STEEL



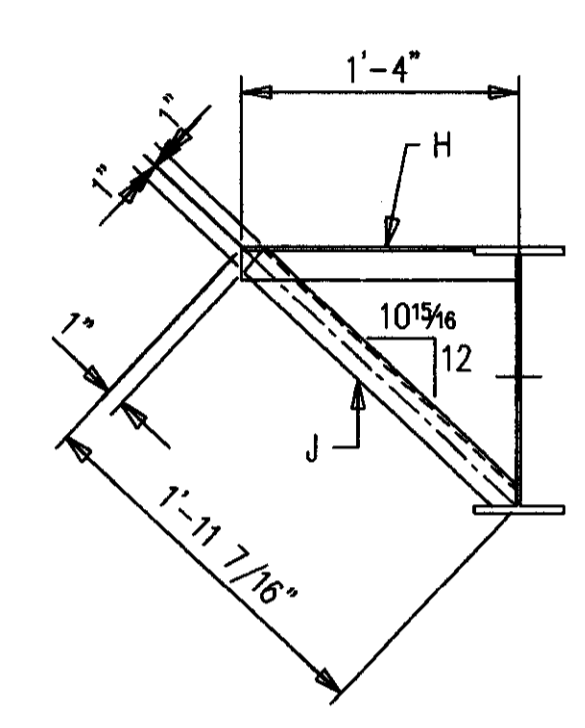
ONE-BEAM 321B1 R [AS SHOWN]  
 ONE-BEAM 321B1 L [OPP HAND]  
 16-A490 1 X 2 1/4 F1636H



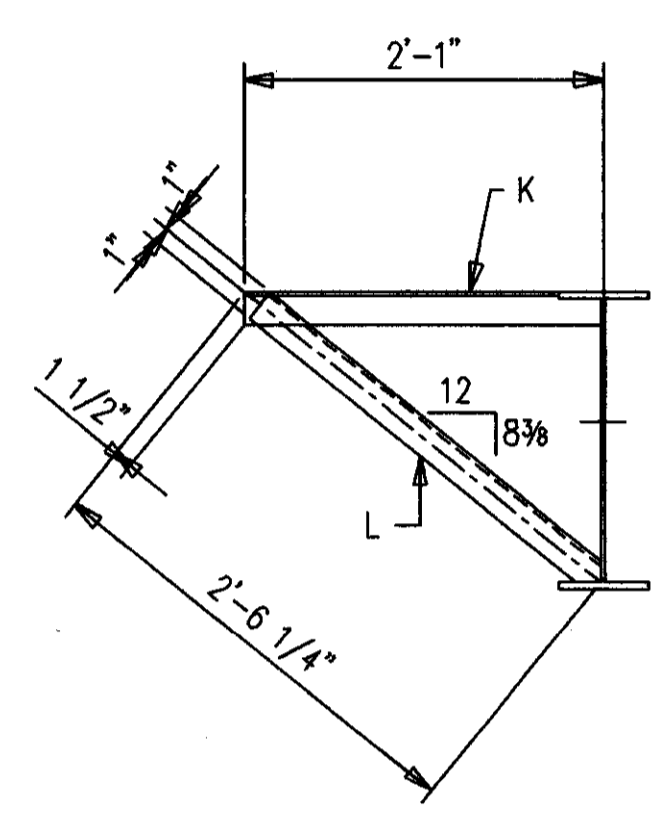
SECTION A



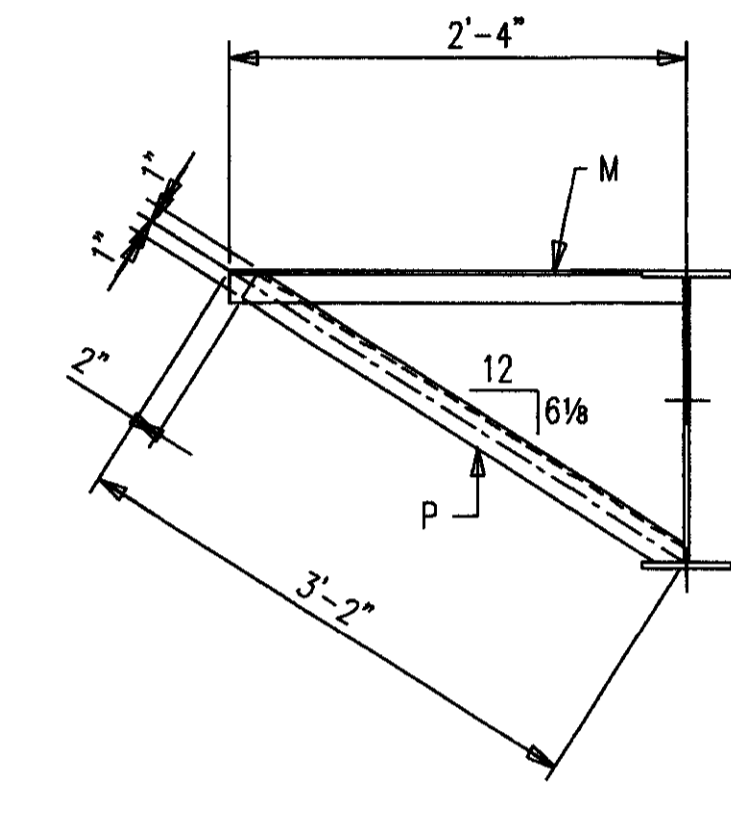
SECTION C



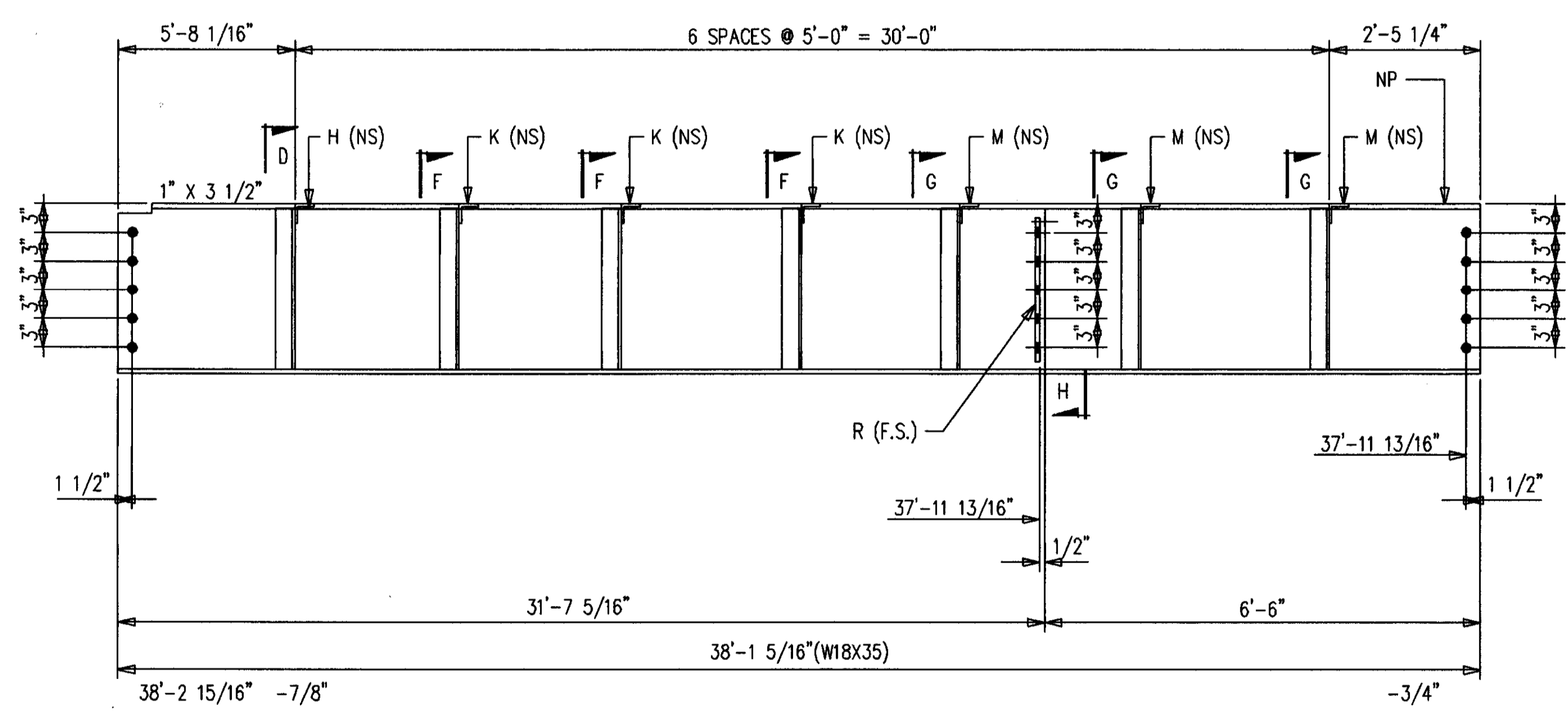
SECTION D



SECTION F

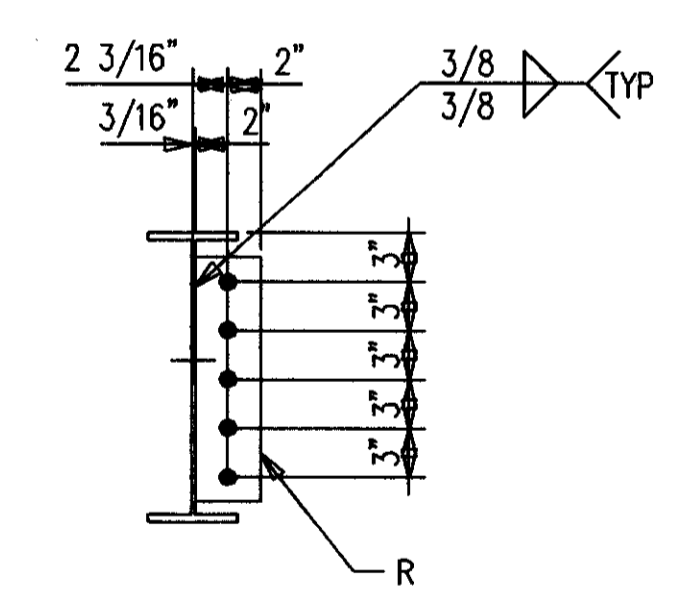


SECTION G



ONE-BEAM 321B2 R [AS SHOWN]  
 ONE-BEAM 321B2 L [OPP HAND]  
 20-A490 1 X 2 1/4 F1636H

CAMBER UP = 1" @ CENTER LINE



SECTION H

BILL OF MATERIAL

SHIP MARK SUB MARK	NO. PCS.	DESCRIPTION	LENGTH		CUTS BY	REMARKS
			FT.	IN.		
321B1 L	ONE	BEAM				
321B1	1	W16X31 A572	34	10-1/4		P
A321	4	L2X2X3/16	2	3-7/8		CTF.
B321	4	L2X2X3/16	2	6		CTF.
F321	2	L2X2X3/16	1	2-3/8		CTF.
G321	2	L2X2X3/16	1	8-1/8		CTF.
321B1 R	ONE	BEAM				
321B1	1	W16X31 A572	34	10-1/4		P
A321	4	L2X2X3/16	2	3-7/8		CTF.
B321	4	L2X2X3/16	2	6		CTF.
F321	2	L2X2X3/16	1	2-3/8		CTF.
G321	2	L2X2X3/16	1	8-1/8		CTF.
321B2 L	ONE	BEAM				
321B2	1	W18X35 A572	38	1-5/16		P
H321	1	L2X2X3/16	1	3-13/16		CTF.
J321	1	L2X2X3/16	1	10-3/8		CTF.
K321	2	L2X2X3/16	2	0-13/16		CTF.
L321	2	L2X2X3/16	2	4-3/4		CTF.
M321	3	L2X2X3/16	2	9-13/16		CTF.
P321	3	L2X2X3/16	3	0		CTF.
R321	1	FB1/2X4	1	3		P
321B2 R	ONE	BEAM				
321B2	1	W18X35 A572	38	1-5/16		P
H321	1	L2X2X3/16	1	3-13/16		CTF.
J321	1	L2X2X3/16	1	10-3/8		CTF.
K321	2	L2X2X3/16	2	0-13/16		CTF.
L321	2	L2X2X3/16	2	4-3/4		CTF.
M321	3	L2X2X3/16	2	9-13/16		CTF.
P321	3	L2X2X3/16	3	0		CTF.
R321	1	FB1/2X4	1	3		P
321M1	26	ANGLES				
321M1	26	L2X2X3/16	6	8		PLAIN
		FIELD BOLTS				
F1636H	37	A490 1X2-1/4				
F16LW	37	A LOAD IND 1				

AS BUILT  
 NAME: *Map Hughes*  
 DATE: AUG 16 1999

SHOP NOTES:  
 1. NP=NO PAINT IN 3" WIDE STRIP,  
 CENTER OF BEAM, FULL LENGTH.

ALL RE-ENTRANT CUTS MIN. 1/2" RAD. U/N	WELD ELECTRODE U/N E70XX	SHAP PAINT SEE SPECS	DATE	APP	SHOP	FIELD
HARD WASH. AND HVY HEX NUT	ALL A307 BOLTS w/HEX NUT					

CONTRACTOR TO CHECK ALL DIMENSIONS AT JOB AS MID STATES STEEL PRODUCTS CO. ASSUMES NO RESPONSIBILITY FOR GENERAL BUILDING DIMENSIONS. NO BACK CHARGES PERTAINING TO THIS WORK WILL BE ACCEPTED WITHOUT PRIOR AUTHORIZATION BY MID STATES STEEL PRODUCTS CO.

MATERIAL U/N A36  
 OPEN HOLES U/N 1 1/16" Ø  
 WELD ELECTRODE U/N E70XX  
 SHAP PAINT SEE SPECS

DATE 9/98  
 DATE 9/98

DRAWN BY JWM  
 CHECKED BY GCL  
 ENGINEER WALTER P. MOORE

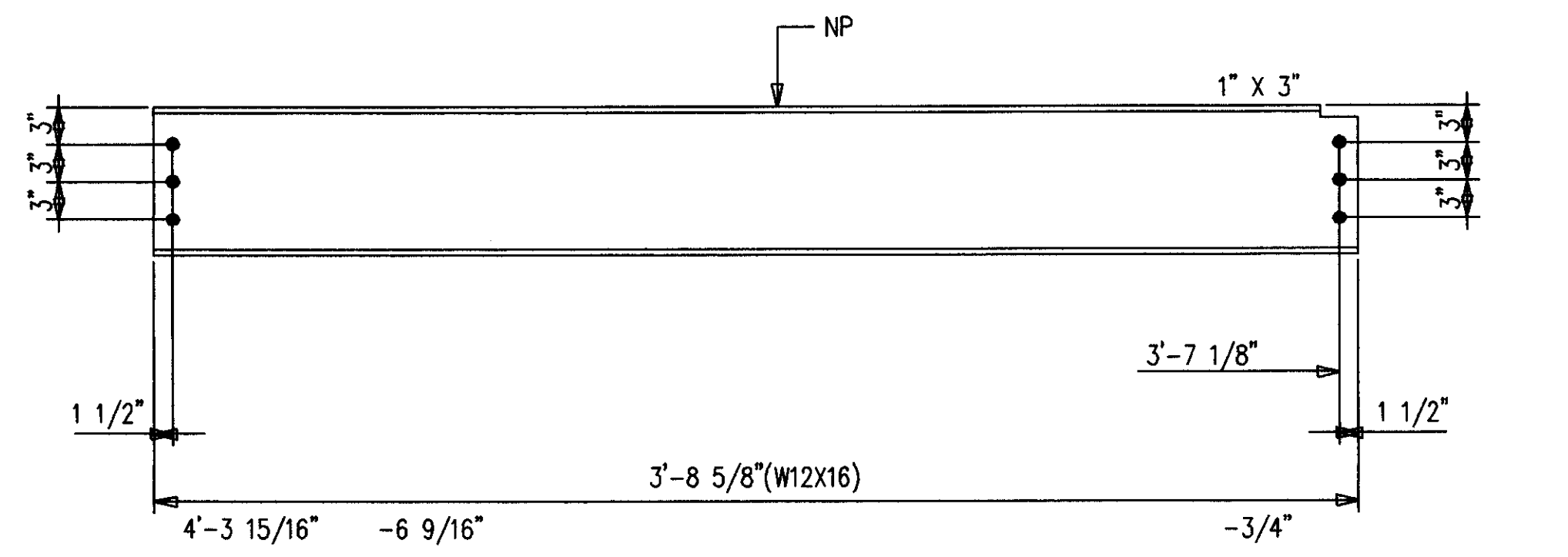
JOB NAME COMMONWEALTH STADIUM EXPANSION  
 JOB LOCATION UNIVERSITY OF KENTUCKY  
 CONTRACTOR TURNER CONSTRUCTION COMPANY

NO. DATE REVISION DESCRIPTION

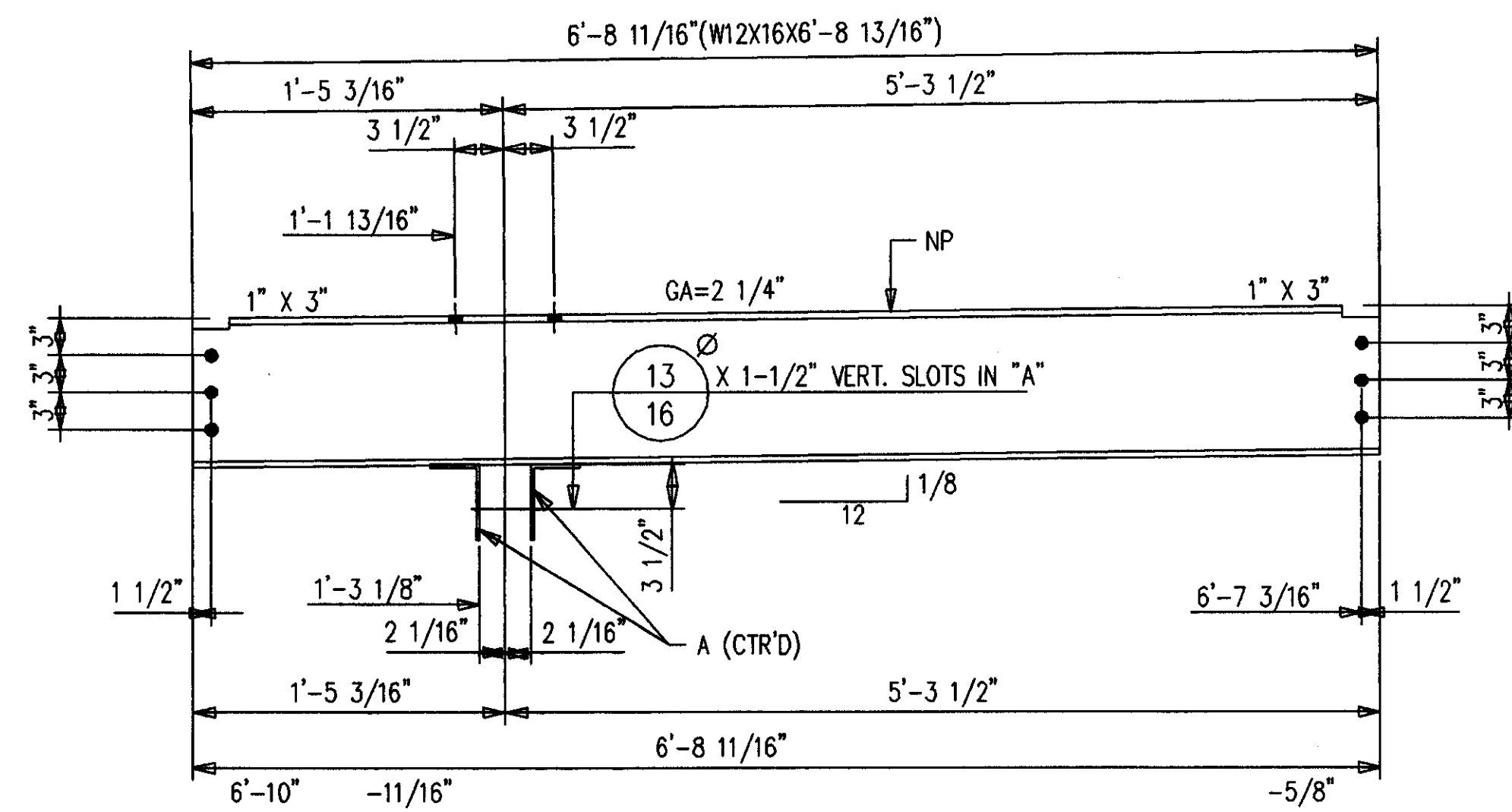
AS BUILT

MID STATES STEEL PRODUCTS CO.  
 P.O. BOX 11128-2044 BUCK LANE  
 LEXINGTON, KENTUCKY 40511  
 PHONE: 606-233-4344 FAX: 606-233-4346

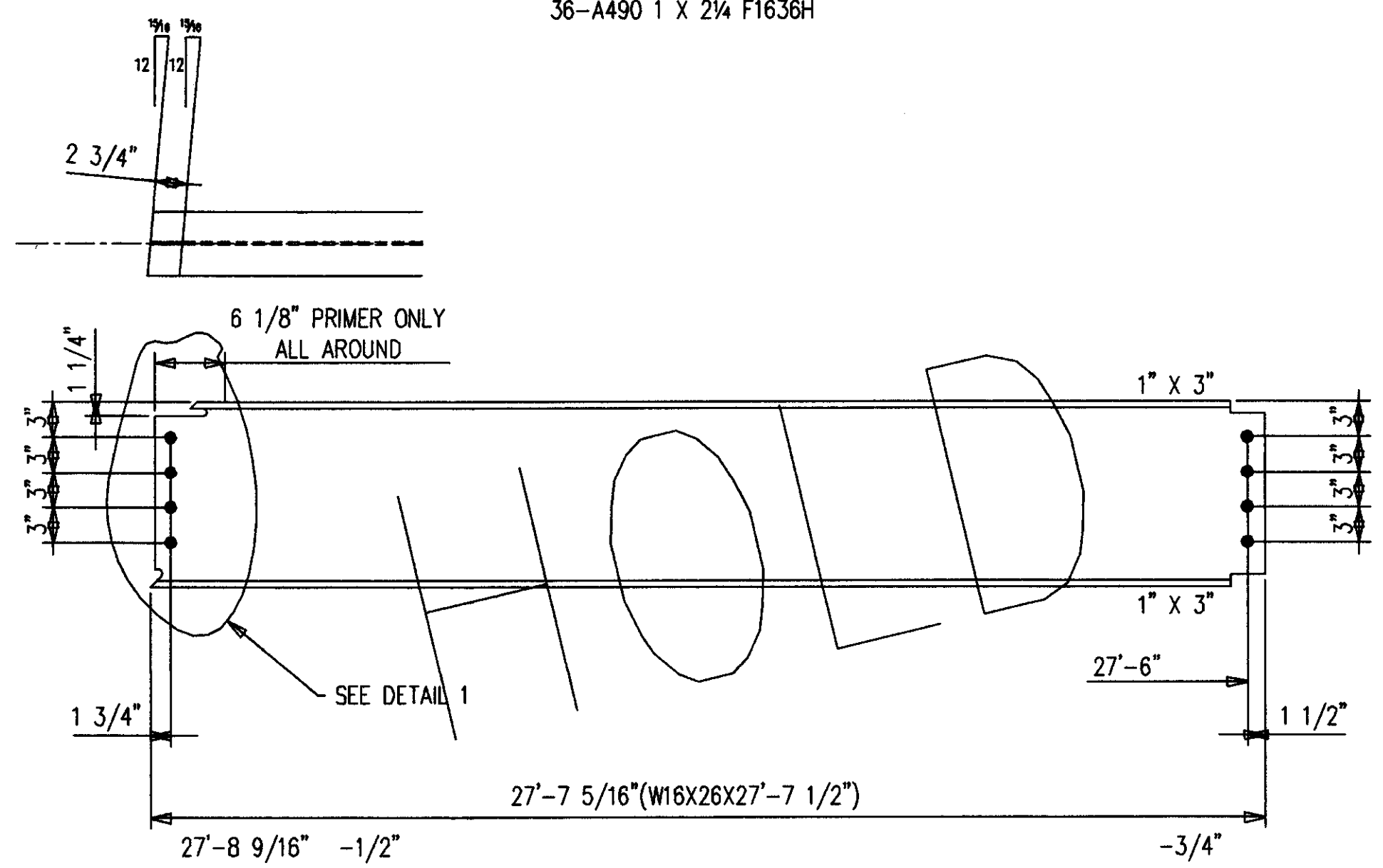
ORDER NO. P3524  
 SHEET NO. 321



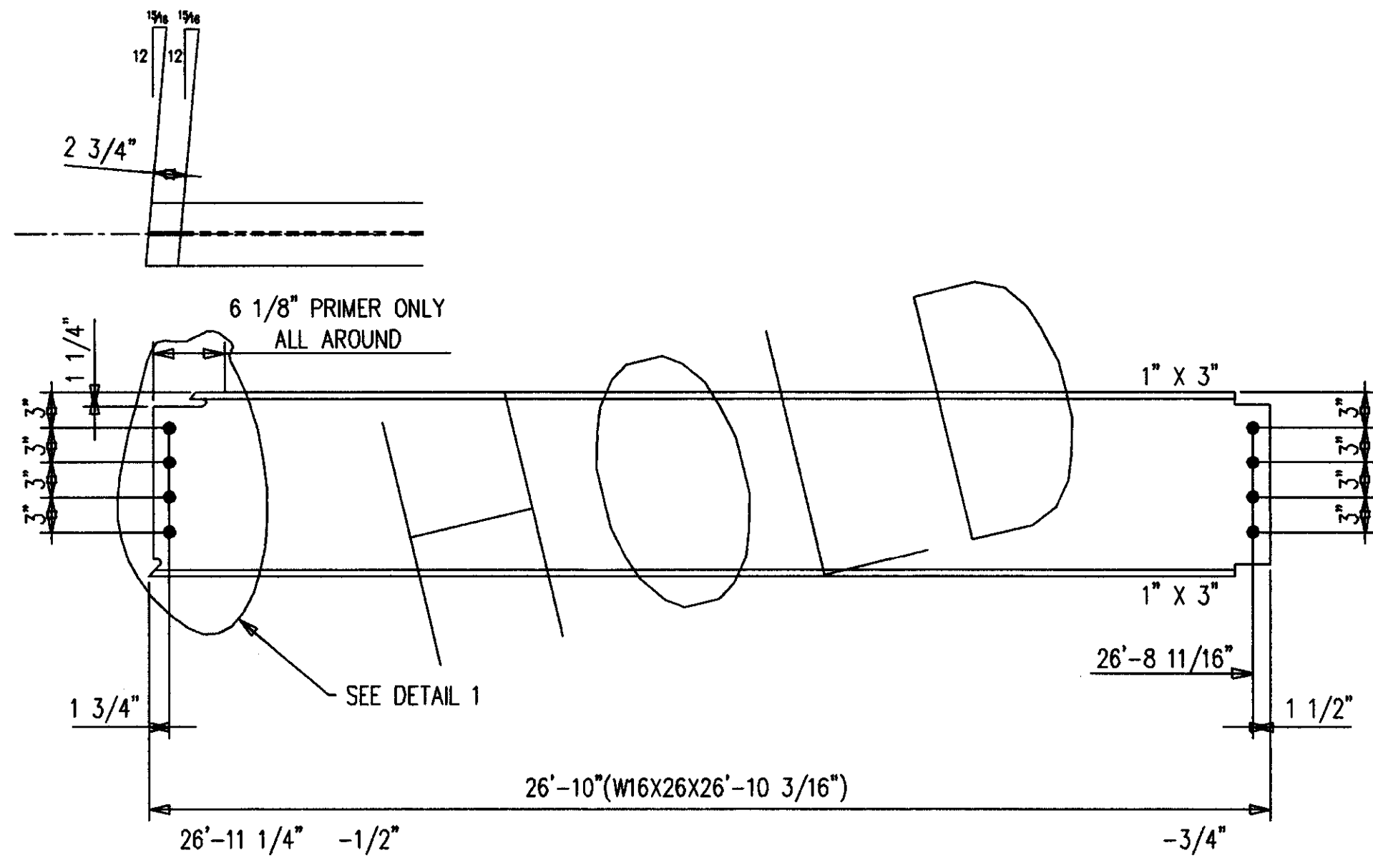
2-BEAMS 322B1  
12-A490 1 X 2 1/4 F1636H



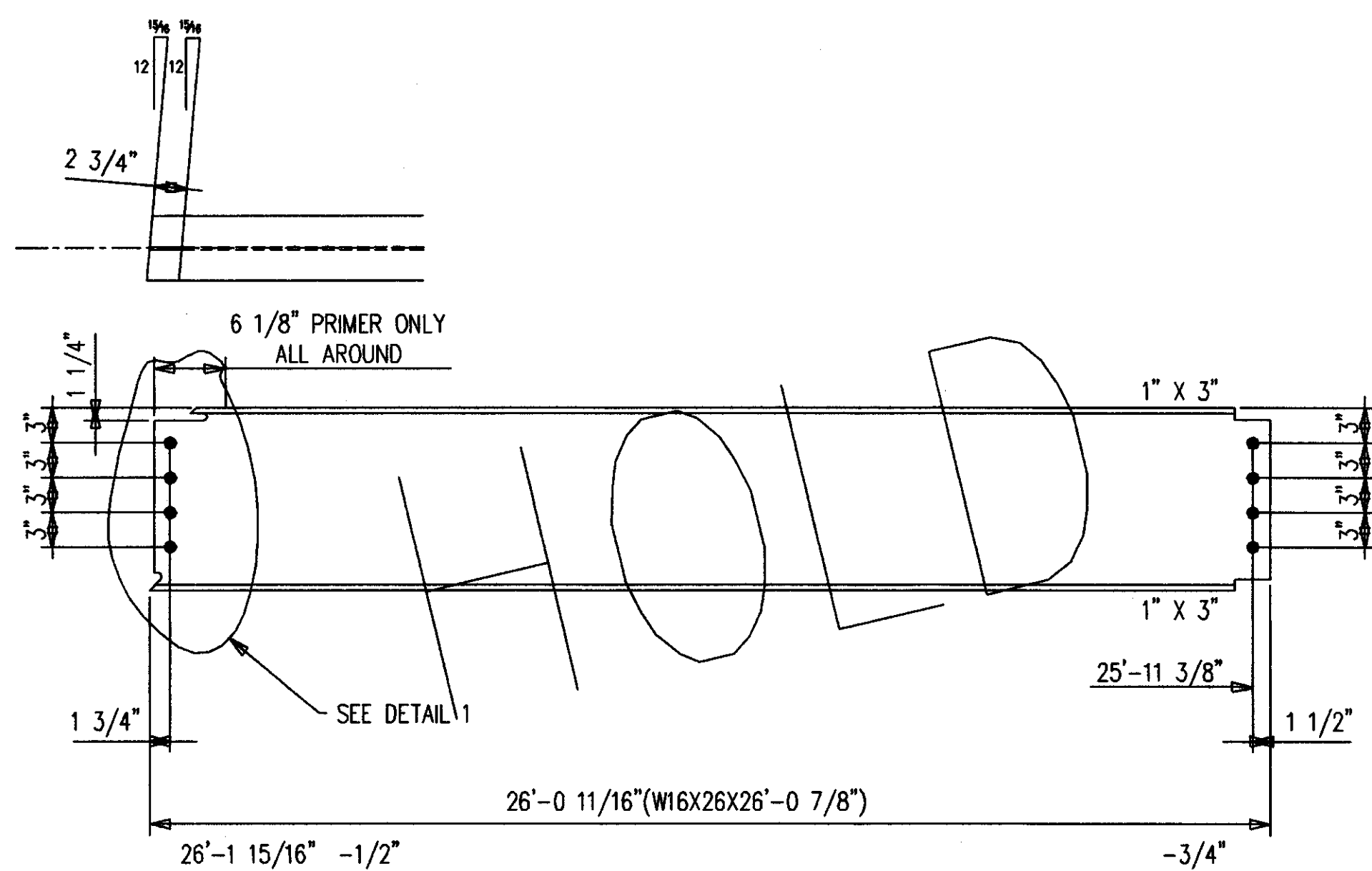
6-BEAMS 322B2  
36-A490 1 X 2 1/4 F1636H



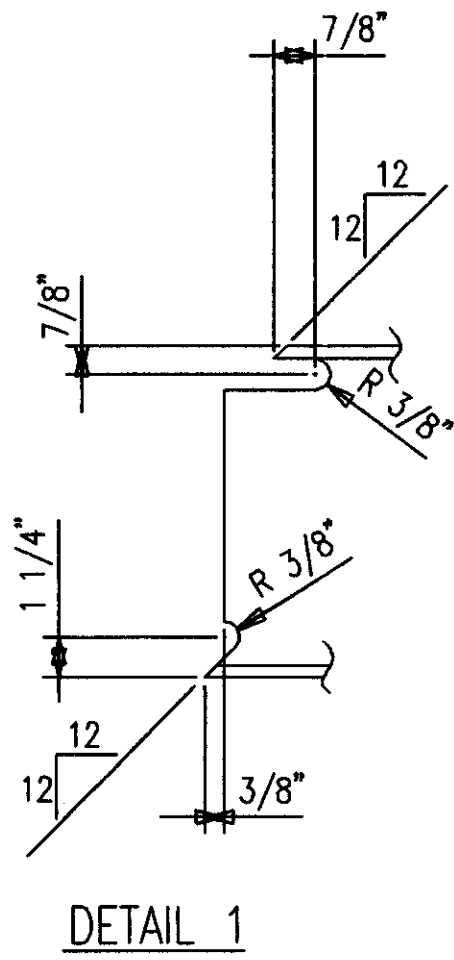
ONE-BEAM 322B3 R [AS SHOWN]  
ONE-BEAM 322B3 L [OPP HAND]  
16-A490 1 X 2 1/4 F1636H



ONE-BEAM 322B4 R [AS SHOWN]  
ONE-BEAM 322B4 L [OPP HAND]  
16-A490 1 X 2 1/4 F1636H



ONE-BEAM 322B5 R [AS SHOWN]  
ONE-BEAM 322B5 L [OPP HAND]  
16-A490 1 X 2 1/4 F1636H



DETAIL 1

SHOP NOTES:  
1. NP=NO PAINT IN 3" WIDE STRIP, CENTER OF BEAM, FULL LENGTH.

BILL OF MATERIAL

SHIP MARK SUB MARK	NO. PCS.	DESCRIPTION	LENGTH		REMARKS
			FT.	IN.	
322B1	2	BEAMS			
322B1	2	W12X16 A572	3	8-5/8	P
322B2	6	BEAMS			
322B2	6	W12X16 A572	6	8-11/16	P
A322	12	L6X4X5/16	0	4	P
322B3 L	ONE	BEAM			
322B3	1	W16X26 A572	27	7-1/2	P/BC1E
322B3 R	ONE	BEAM			
322B3	1	W16X26 A572	27	7-1/2	P/BC1E
322B4 L	ONE	BEAM			
322B4	1	W16X26 A572	26	10-3/16	P/BC1E
322B4 R	ONE	BEAM			
322B4	1	W16X26 A572	26	10-3/16	P/BC1E
322B5 L	ONE	BEAM			
322B5	1	W16X26 A572	26	0-7/8	P/BC1E
322B5 R	ONE	BEAM			
322B5	1	W16X26 A572	26	0-7/8	P/BC1E
		FIELD BOLTS			
F1636H	97	A490 1X2-1/4			
F16L1W	97	A LOAD IND 1			

AS BUILT  
NAME: *Map Hughes*  
DATE: AUG 16 1998

ALL RE-ENTRANT CUTS MIN. 1/2" RAD. U/W	WELD ELECTRODE U/W E70XX	SHAPING SEE SPECS
ALL A325 BOLTS w/ONE HARD WASH. AND HVY HEX NUT	ALL A307 BOLTS w/HEX NUT	DRAWING TITLE BEAMS

DATE	APP	SHOP	FIELD

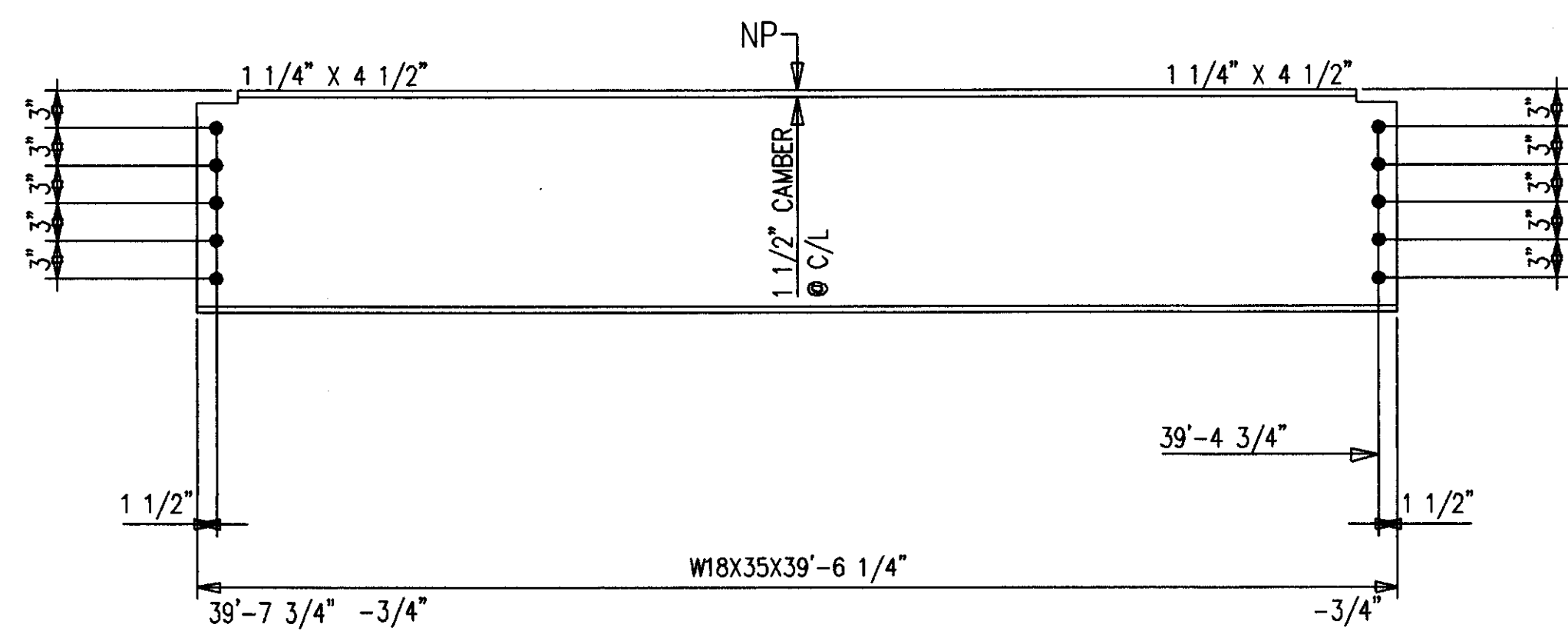
MID STATES STEEL PRODUCTS CO.  
FABRICATORS OF STRUCTURAL AND MISCELLANEOUS STEEL

P.O. BOX 11128-2044 BUCK LANE  
LEXINGTON, KENTUCKY 40511  
PHONE: 606-233-4344 FAX: 606-233-4346

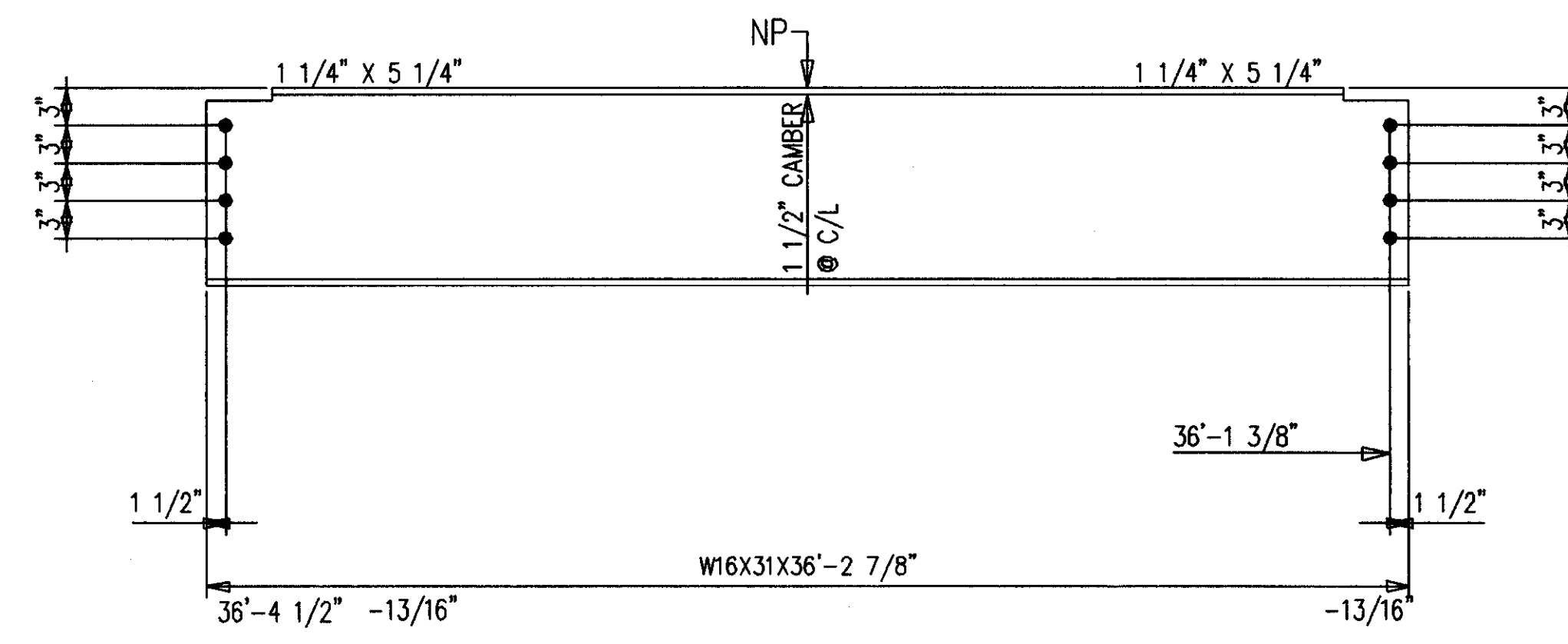
ORDER NO. P3524  
SHEET NO. 322



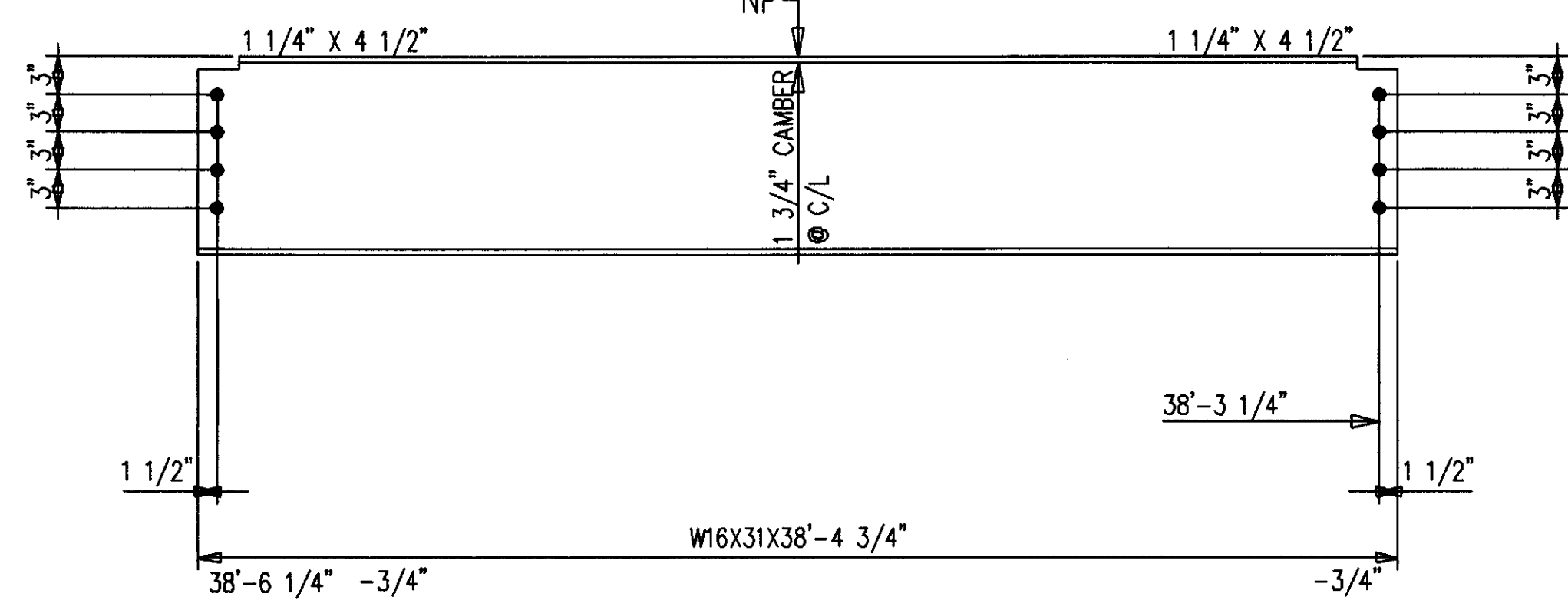




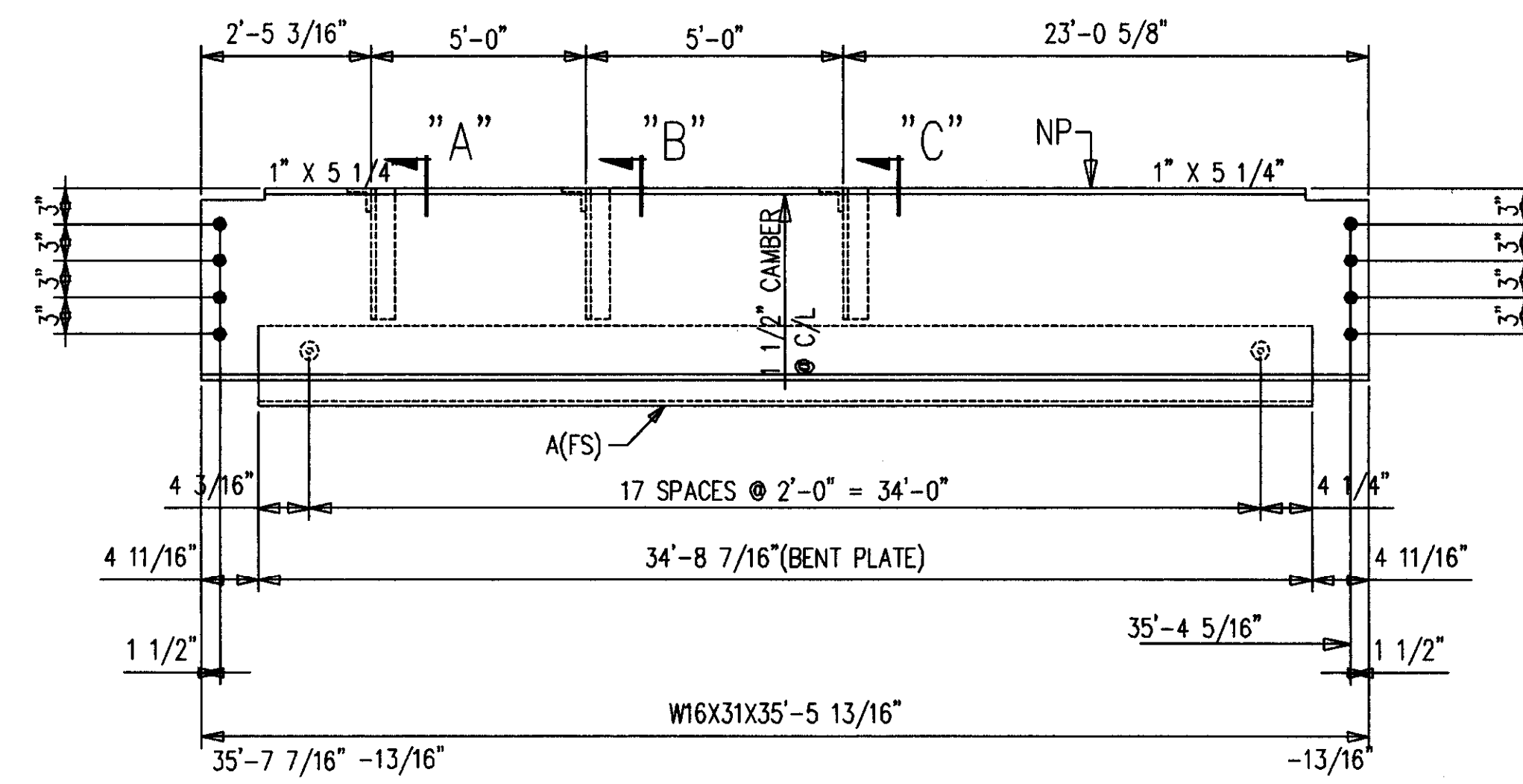
2-BEAMS 326B1  
20-A490 1 X 2 1/2 F1640H  
20-LOAD IND WASH 1 F16LIW



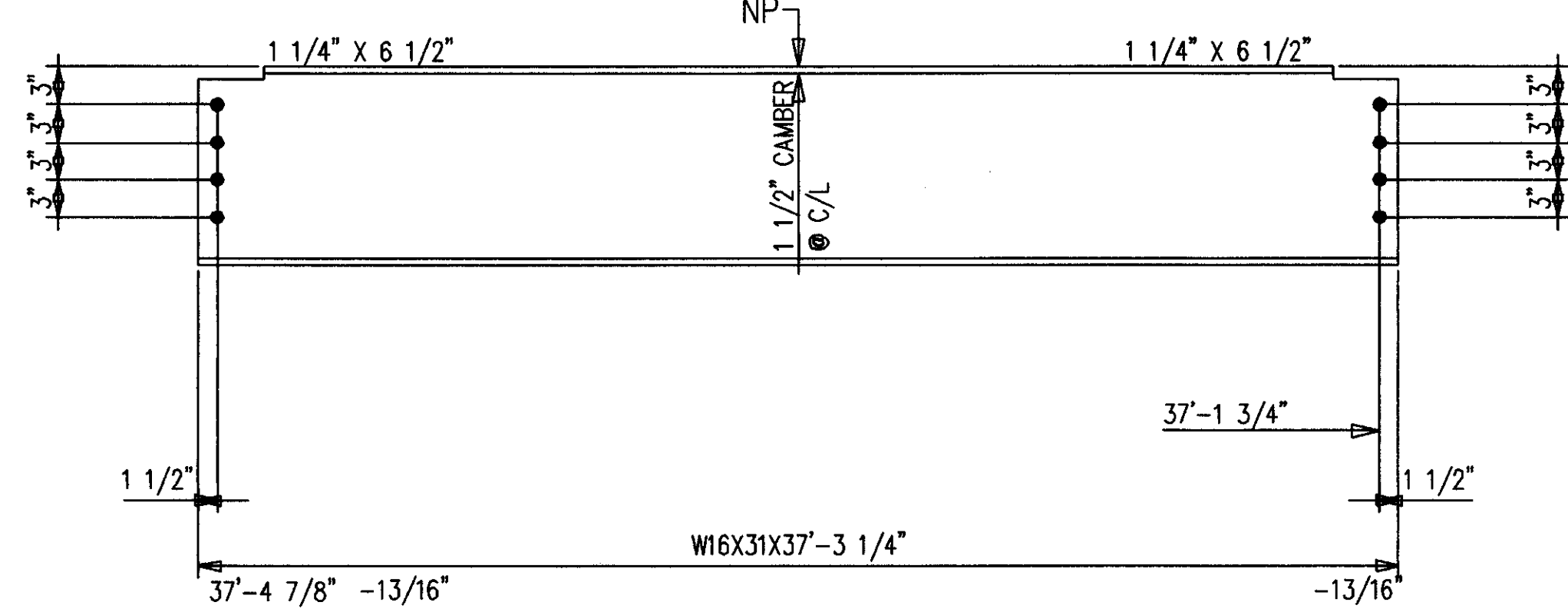
2-BEAMS 326B4  
16-A490 1 X 2 1/4 F1636H  
16-LOAD IND WASH 1 F16LIW



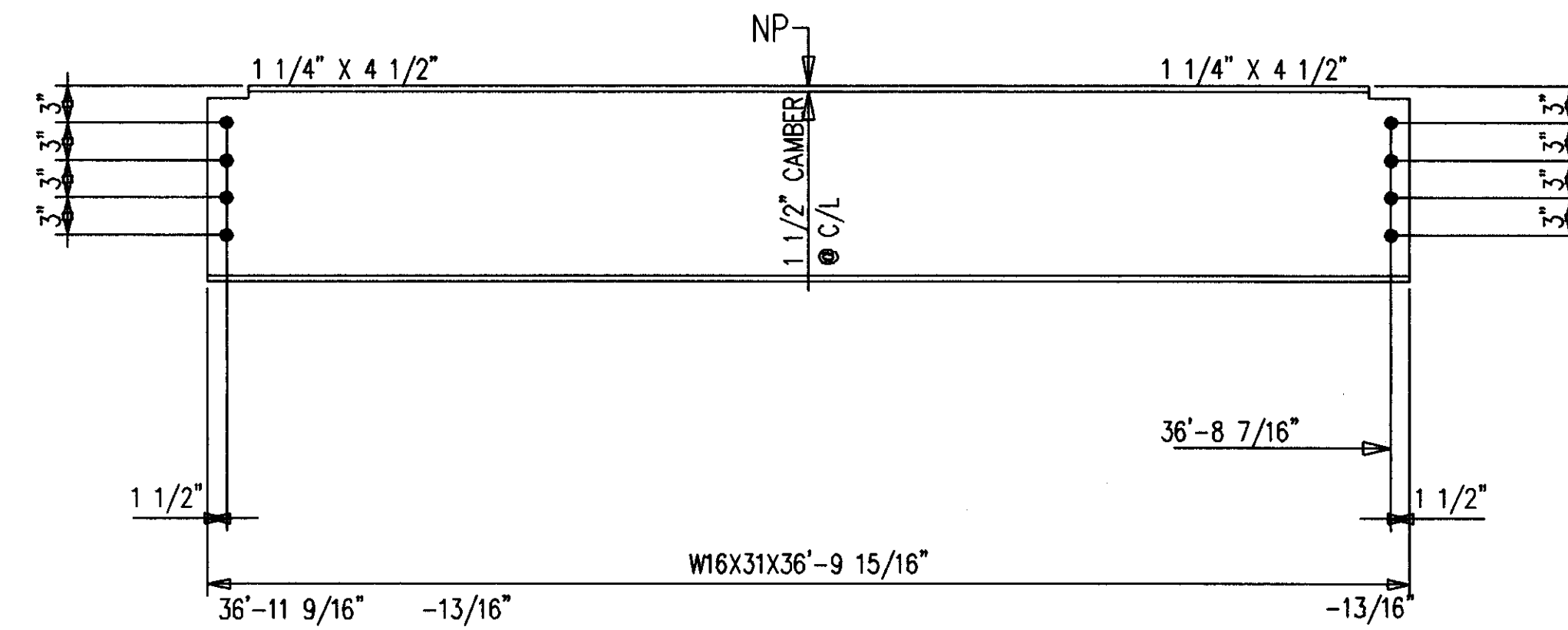
2-BEAMS 326B2  
16-A490 1 X 2 1/4 F1636H  
16-LOAD IND WASH 1 F16LIW



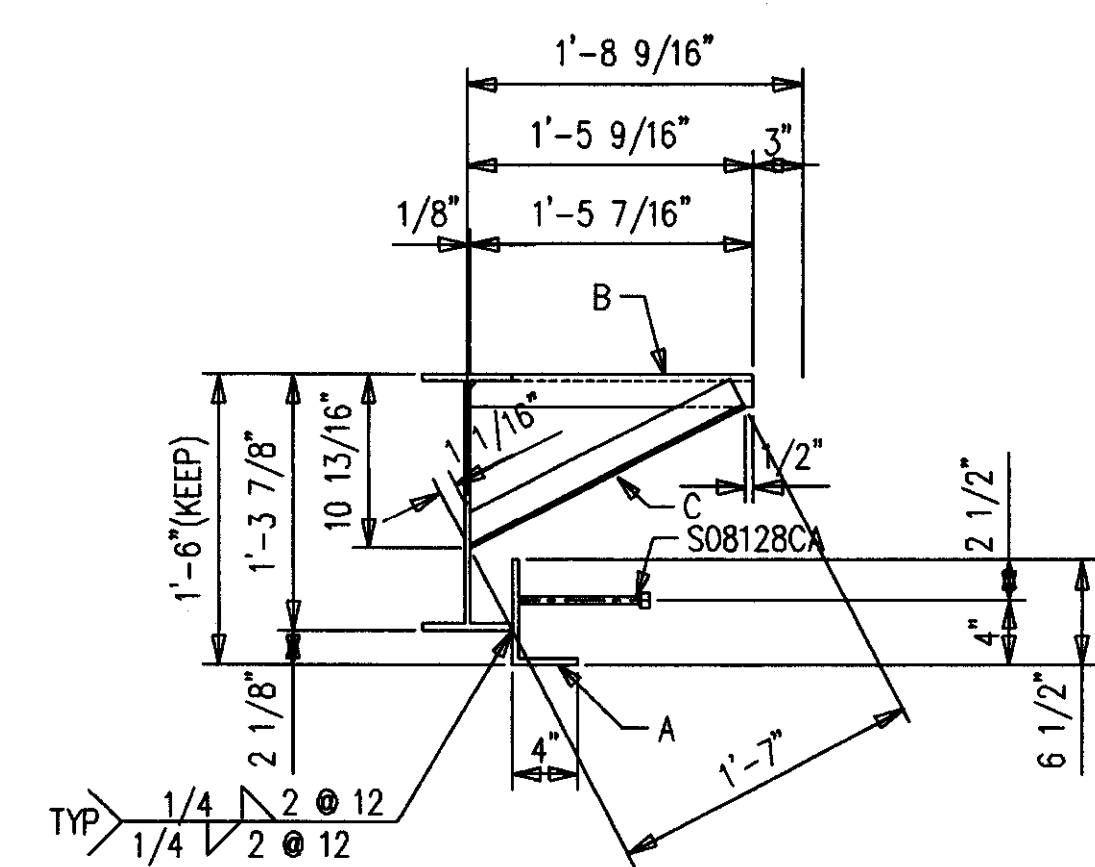
ONE-BEAM 326B5 R [AS SHOWN]  
ONE-BEAM 326B5 L [OPP HAND]  
16-A490 1 X 2 1/4 F1636H  
16-LOAD IND WASH 1 F16LIW



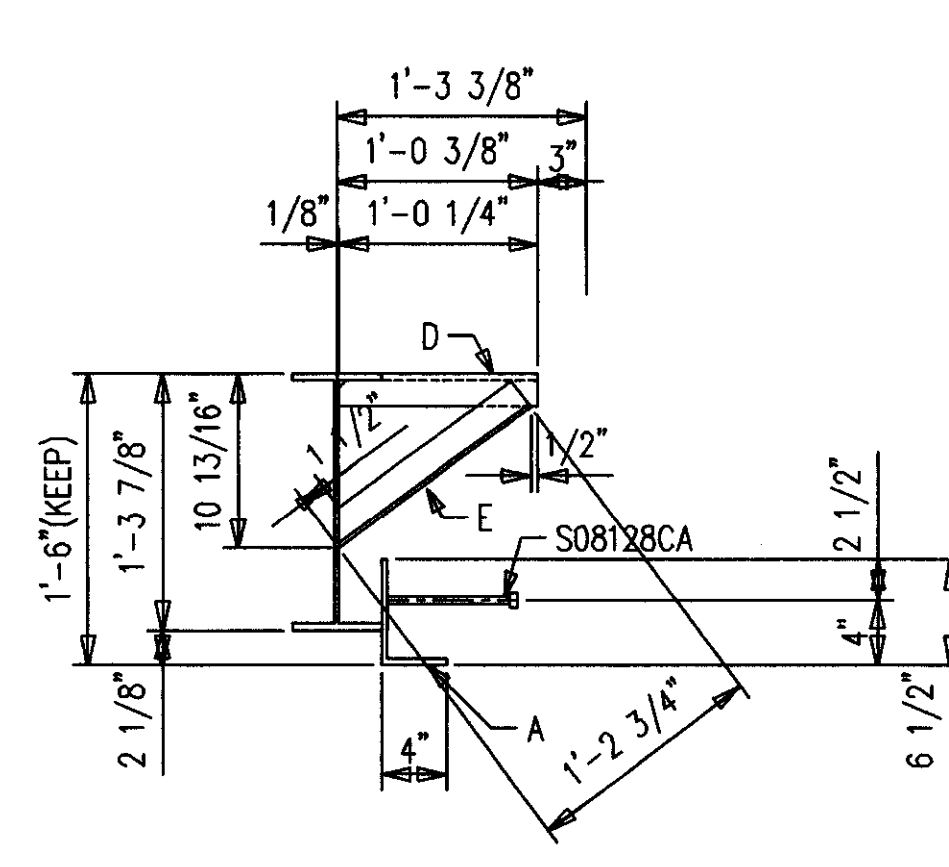
2-BEAMS 326B3  
16-A490 1 X 2 1/4 F1636H  
16-LOAD IND WASH 1 F16LIW



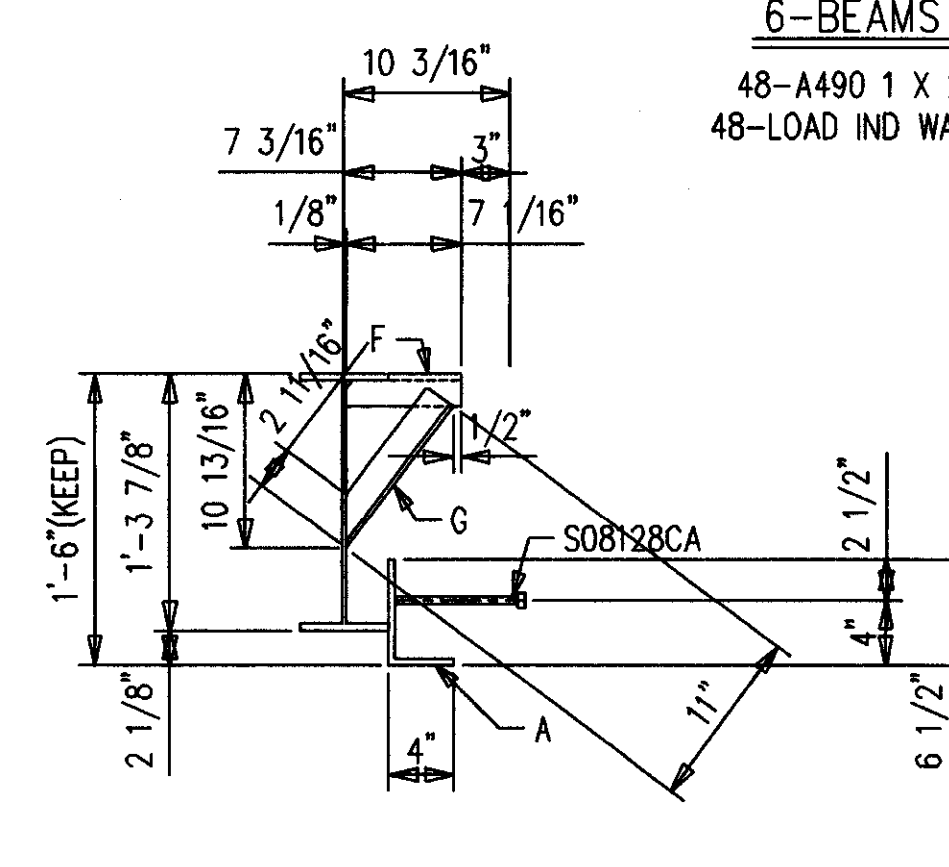
6-BEAMS 326B6  
48-A490 1 X 2 1/4 F1636H  
48-LOAD IND WASH 1 F16LIW



SECTION A



SECTION B



SECTION C

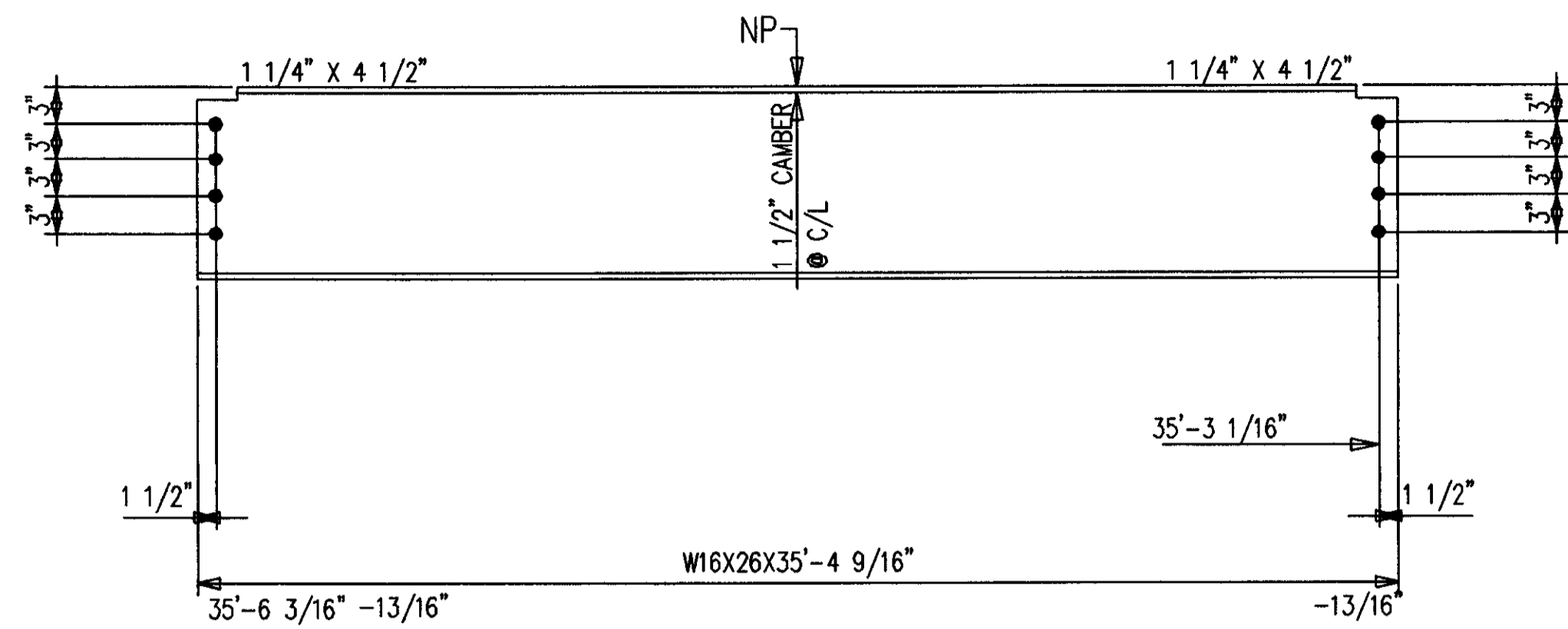
BILL OF MATERIAL

SHIP MARK SUB MARK	QTY PCS.	DESCRIPTION	LENGTH		CL CUTS T	REMARKS
			FT.	IN.		
326B1	2	BEAMS				
326B1	2	W18X35 A572	39	6-1/4		P
326B2	2	BEAMS				
326B2	2	W16X31 A572	38	4-3/4		P
326B3	2	BEAMS				
326B3	2	W16X31 A572	37	3-1/4		P
326B4	2	BEAMS				
326B4	2	W16X31 A572	36	2-7/8		P
326B5 R	ONE	BEAM				
326B5	1	W16X31 A572	35	5-13/16		P
A326	1	FB1/4X10	34	8-7/16		BENT
S08128A	18	A STUD 1/2X8				
B326	1	L2X2X3/16	1	5-9/16		CTF
C326	1	L2X2X3/16	1	7		BC1E
D326	1	L2X2X3/16	1	0-1/4		CTF
E326	1	L2X2X3/16	1	2-3/4		BC1E
F326	1	L2X2X3/16	0	7-1/16		CTF
G326	1	L2X2X3/16	0	11		BC1E
326B5 R	ONE	BEAM				
326B5	1	W16X31 A572	35	5-13/16		P
A326	1	FB1/4X10	34	8-7/16		BENT
S08128A	18	A STUD 1/2X8				
B326	1	L2X2X3/16	1	5-9/16		CTF
C326	1	L2X2X3/16	1	7		BC1E
D326	1	L2X2X3/16	1	0-1/4		CTF
E326	1	L2X2X3/16	1	2-3/4		BC1E
F326	1	L2X2X3/16	0	7-1/16		CTF
G326	1	L2X2X3/16	0	11		BC1E
326B6	6	BEAMS				
326B6	6	W16X31 A572	36	9-15/16		P
		FIELD BOLTS				
F1636H	114	A490 1X2-1/4				
F1640H	21	A490 1X2-1/2				
F16LIW	134	A LOAD IND 1				

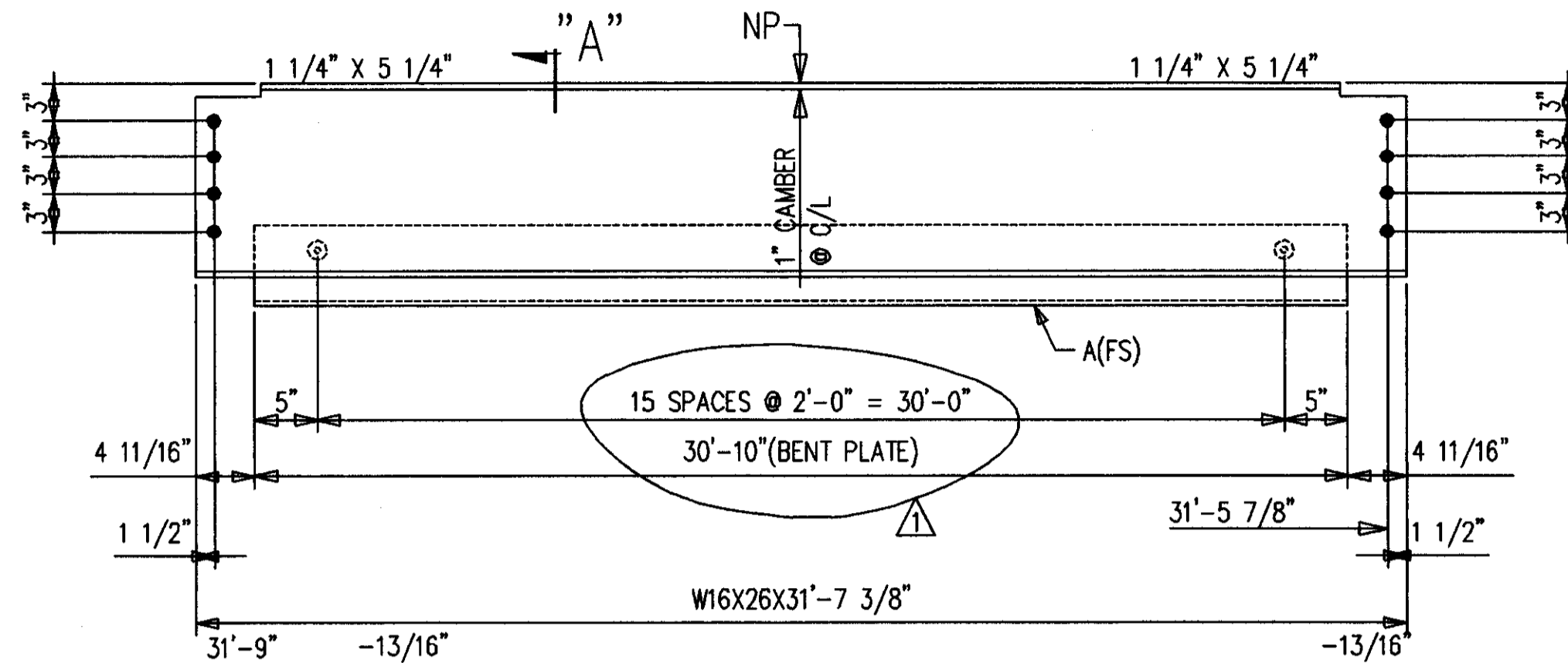
SHOP NOTES:  
1. NP=NO PAINT IN 3" WIDE STRIP,  
CENTER OF BEAM, FULL LENGTH.

AS BUILT  
NAME: *Map Hughes*  
DATE: AUG 16 1999

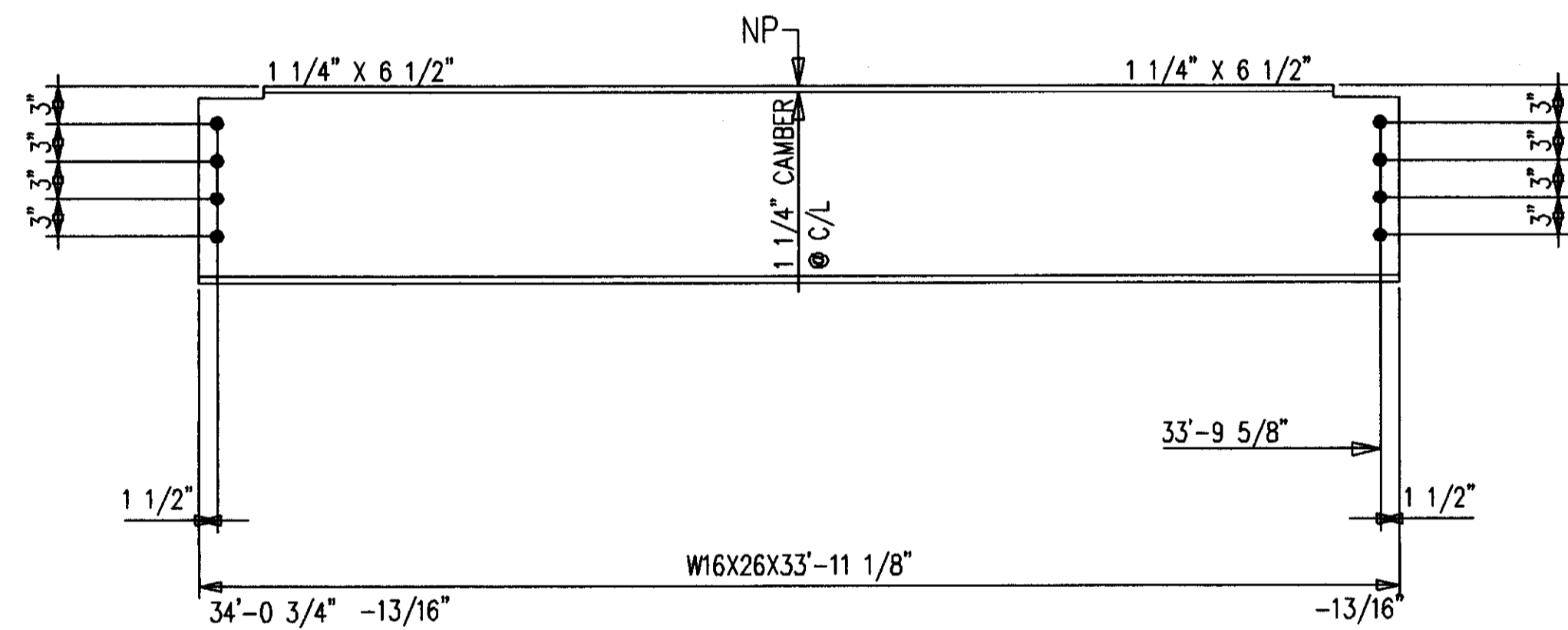
3 3/8/99	REVISED OUTRIGGERS		
2 1/21/99	ADDED OUTRIGGERS		
1 1/13/99	ADDED BENT PLATE TO "B5"		
NO. DATE	REVISION DESCRIPTION	BY	CHKD
CONTRACTOR TO CHECK ALL DIMENSIONS AT JOB AS MID STATES STEEL PRODUCTS CO. ASSUMES NO RESPONSIBILITY FOR GENERAL BUILDING DIMENSIONS. NO BACK CHARGES PERTAINING TO THIS WORK WILL BE ACCEPTED WITHOUT PRIOR AUTHORIZATION BY MID STATES STEEL PRODUCTS CO.			
MATERIAL U/W A36	DRAWN BY KMP	JOB NAME COMMONWEALTH STADIUM EXPANSION	
OPEN HOLES U/W 1-1/16"	DATE 10/98	JOB LOCATION UNIVERSITY OF KENTUCKY	
WELD ELECTRODE U/W E70XX	CHECKED BY CCL	CONTRACTOR TURNER CONSTRUCTION COMPANY	
SHOP PAINT SEE SPECS	DATE 10/98	ENGINEER WALTER P. MOORE	
ALL A307 BOLTS w/HEX NUT		DRAWING TITLE BEAMS	
DATE	APP	SHOP	FIELD
P.O. BOX 11128-2044 BUCK LANE LEXINGTON, KENTUCKY 40511 PHONE: 606-233-4344 FAX: 606-233-4346			ORDER NO. P3524 SHEET NO. 326
MID STATES STEEL PRODUCTS CO. FABRICATORS OF STRUCTURAL AND MISCELLANEOUS STEEL			



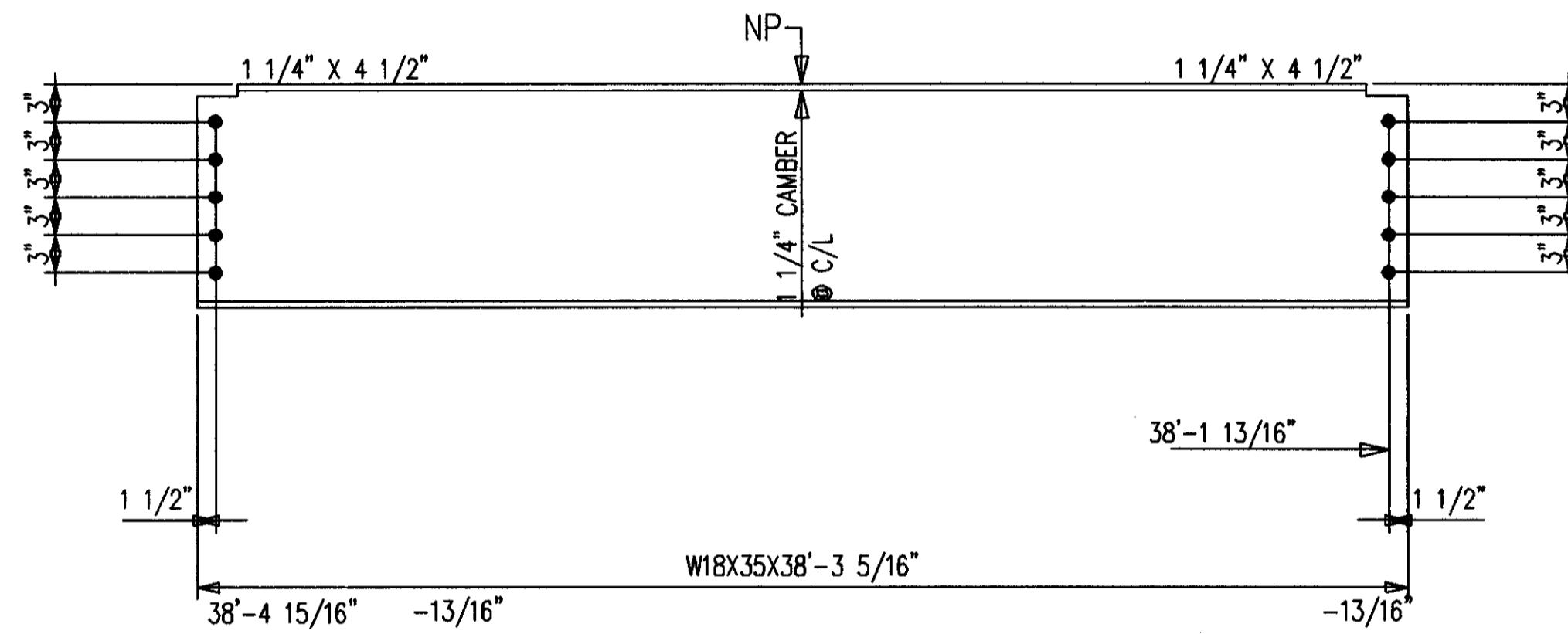
6-BEAMS 327B1  
48-A490 1 X 2 1/4 F1636H  
48-LOAD IND WASH 1 F16LIW



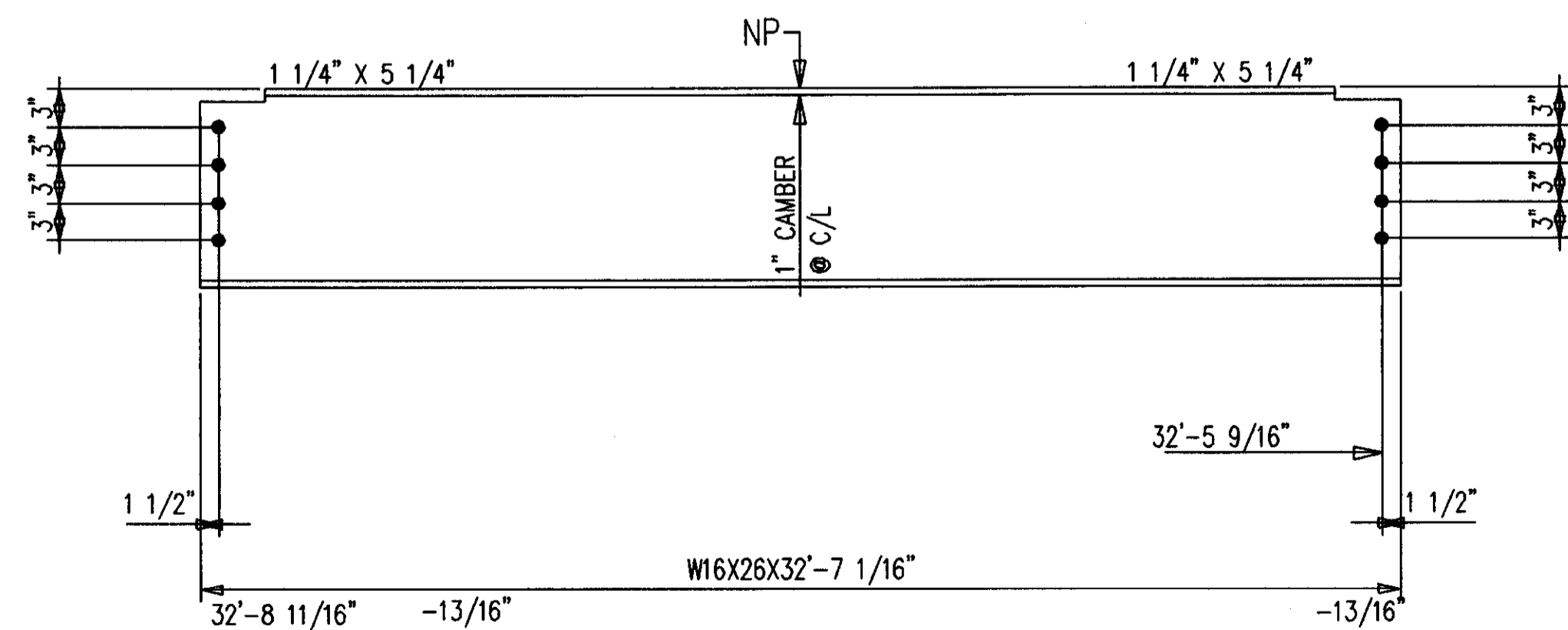
6-BEAMS 327B4  
48-A490 1 X 2 1/4 F1636H  
48-LOAD IND WASH 1 F16LIW



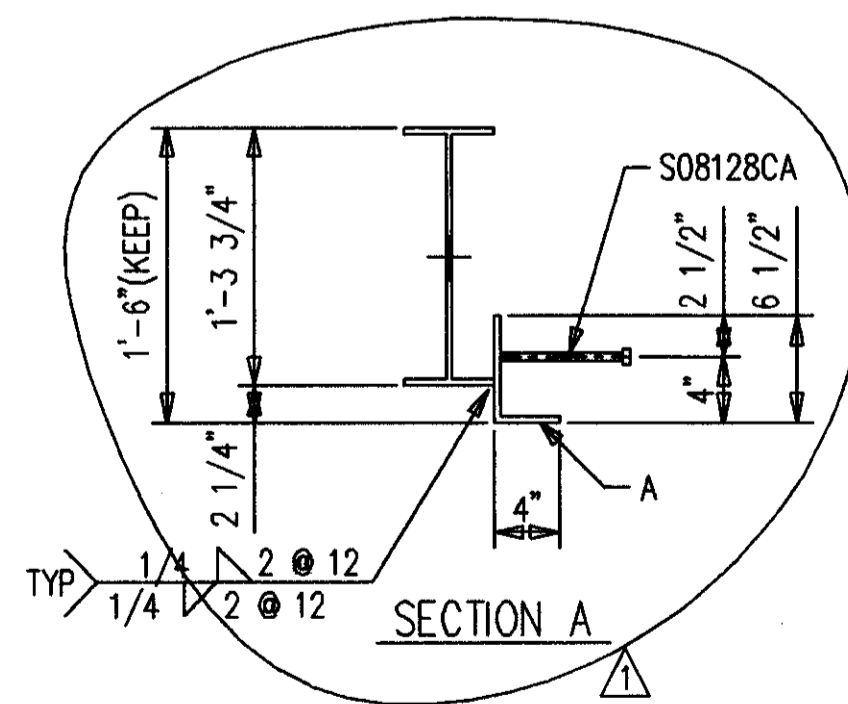
6-BEAMS 327B2  
48-A490 1 X 2 1/4 F1636H  
48-LOAD IND WASH 1 F16LIW



2-BEAMS 327B5  
20-A490 1 X 2 1/2 F1640H  
20-LOAD IND WASH 1 F16LIW



6-BEAMS 327B3  
48-A490 1 X 2 1/4 F1636H  
48-LOAD IND WASH 1 F16LIW



BILL OF MATERIAL

SHIP MARK SUB MARK	NO. PCS.	DESCRIPTION	LENGTH		CL LIST	REMARKS
			FT.	IN.		
327B1	6	BEAMS				
327B1	6	W16X26 A572	35	4-9/16		P
327B2	6	BEAMS				
327B2	6	W16X26 A572	33	11-1/8		P
327B3	6	BEAMS				
327B3	6	W16X26 A572	32	7-1/16		P
327B4	6	BEAMS				
327B4	6	W16X26 A572	31	7-3/8		P
A327	6	FB1/4X10	30	10		BENT
S08128A	96	A STUD 1/2X8				
327B5	2	BEAMS				
327B5	2	W18X35 A572	38	3-5/16		P
		FIELD BOLTS				
F1636H	195	A490 1X2-1/4				
F1640H	21	A490 1X2-1/2				
F16LIW	216	A LOAD IND 1				

SHOP NOTES:  
1. NP=NO PAINT IN 3" WIDE STRIP,  
CENTER OF BEAM, FULL LENGTH.

AS BUILT  
NAME: *Max Hughes*  
DATE: AUG 16 1999

1	1/13/99	ADDED BENT PLATE "B4"		
NO.	DATE	REVISION DESCRIPTION	DRN	CRD
CONTRACTOR TO CHECK ALL DIMENSIONS AT JOB AS MID STATES STEEL PRODUCTS CO. ASSUMES NO RESPONSIBILITY FOR GENERAL BUILDING DIMENSIONS. NO BACK CHARGES PERTAINING TO THIS WORK WILL BE ACCEPTED WITHOUT PRIOR AUTHORIZATION BY MID STATES STEEL PRODUCTS CO.				
MATERIAL U/N	A36	DRN BY	KMP	JOB NAME
OPEN HOLES U/N	1-1/16" Ø	DATE	10/98	COMMONWEALTH STADIUM EXPANSION
WELD ELECTRODE U/N	E70XX	CHECKED BY	GCL	JOB LOCATION
SHOP PAINT	SEE SPECS	DATE	10/98	UNIVERSITY OF KENTUCKY
ALL A307 BOLTS w/HEX NUT		CONTRACTOR	TURNER CONSTRUCTION COMPANY	ENGINEER
		ENGINEER	WALTER P. MOORE	
DRAWING TITLE	BEAMS			

DATE	APP	SHOP	FIELD

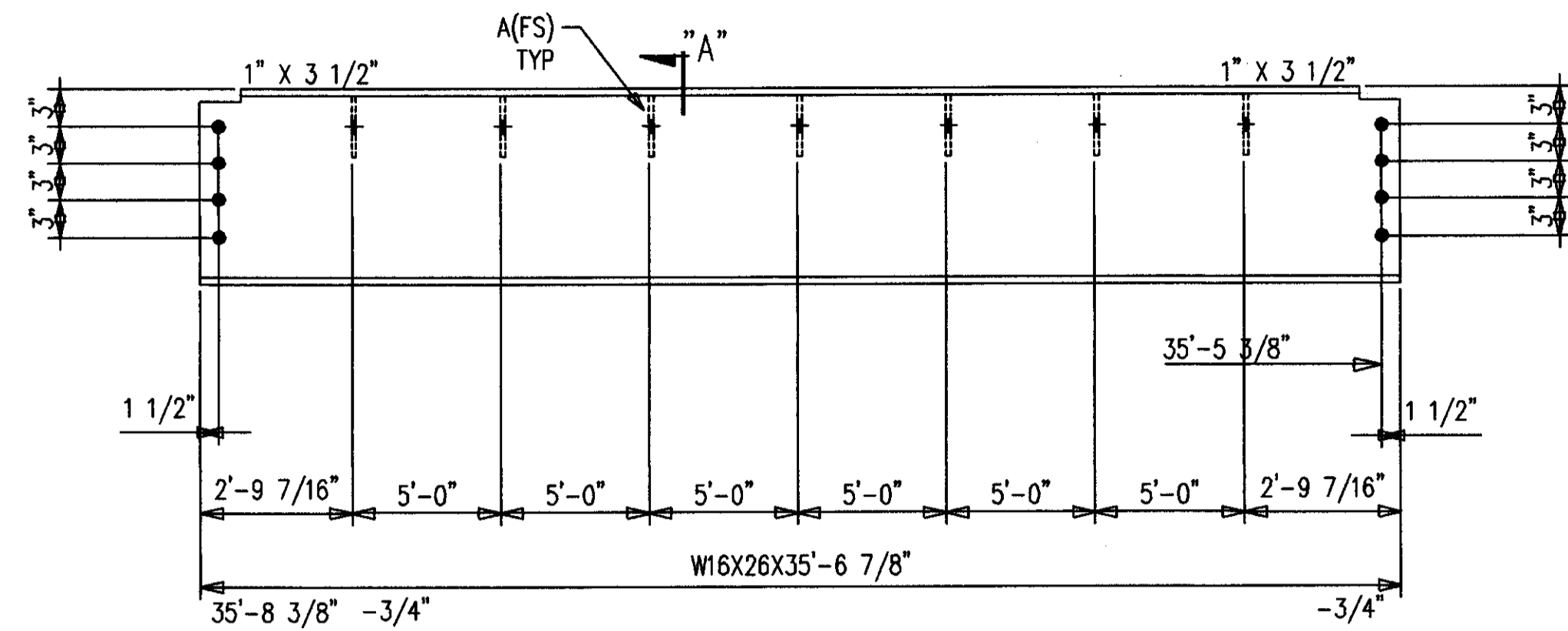
P.O. BOX 11128-2044 BUCK LANE  
LEXINGTON, KENTUCKY 40511  
PHONE: 606-233-4344 FAX: 606-233-4346

MID STATES STEEL PRODUCTS CO.  
FABRICATORS OF STRUCTURAL AND MISCELLANEOUS STEEL

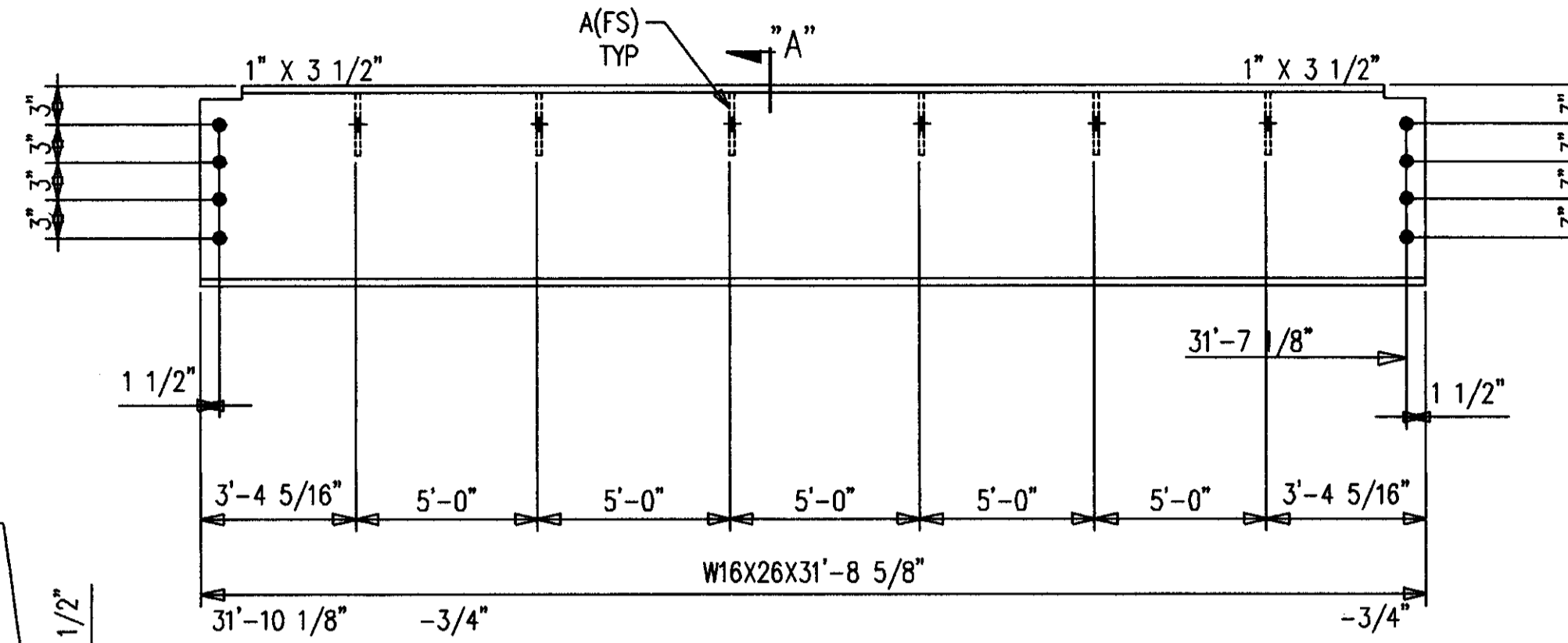
ORDER NO. P3524  
SHEET NO. 327

BILL OF MATERIAL

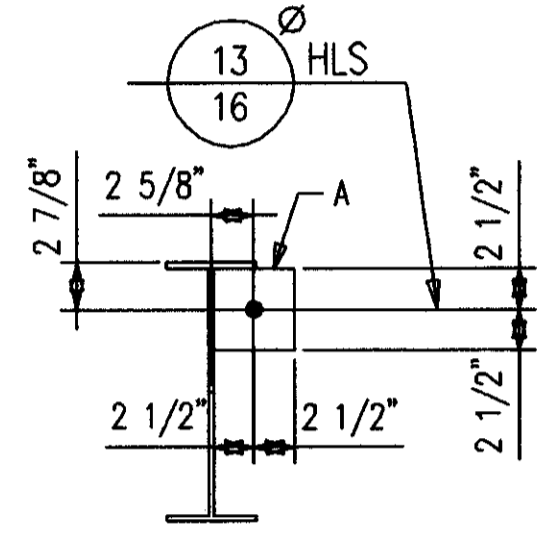
SHIP MARK SUB MARK	NO. PCS.	DESCRIPTION	LENGTH		CL U S T	REMARKS
			FT.	IN.		
328B1	2	BEAMS				
328B1	2	W16X26 A572	35	6-7/8		P
A328	14	FB3/8X5	0	5		P
328B2	2	BEAMS				
328B2	2	W16X26 A572	36	5-1/8		P
328B3	2	BEAMS				
328B3	2	W16X26 A572	38	9-1/16		P
328B4	6	BEAMS				
328B4	6	W16X26 A572	31	8-5/8		P
A328	36	FB3/8X5	0	5		P
328B5	6	BEAMS				
328B5	6	W16X26 A572	32	9-7/8		P
328B6	6	BEAMS				
328B6	6	W16X26 A572	33	11-1/4		P
		FIELD BOLTS				
F1636H	195	A490 1X2-1/4				
F16LIW	195	A LOAD IND 1				



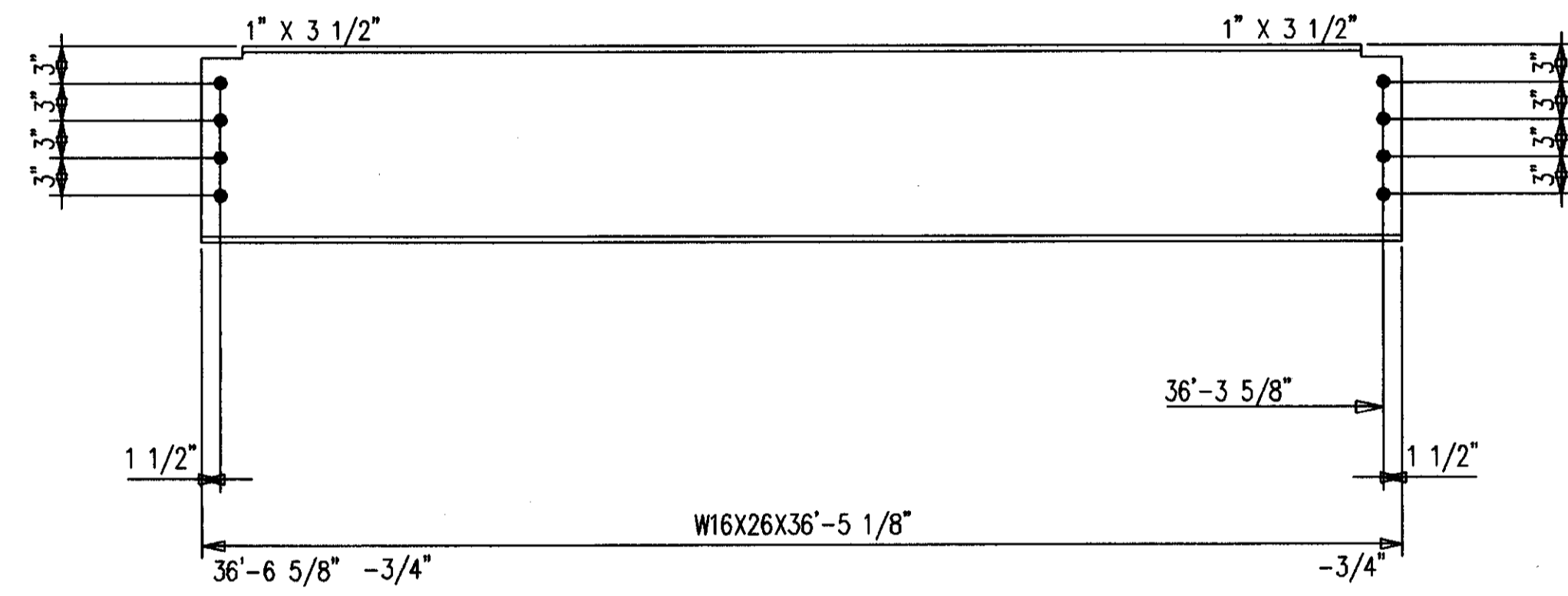
2-BEAMS 328B1  
16-A490 1 X 2 1/4 F1636H  
16-LOAD IND WASH 1 F16LIW



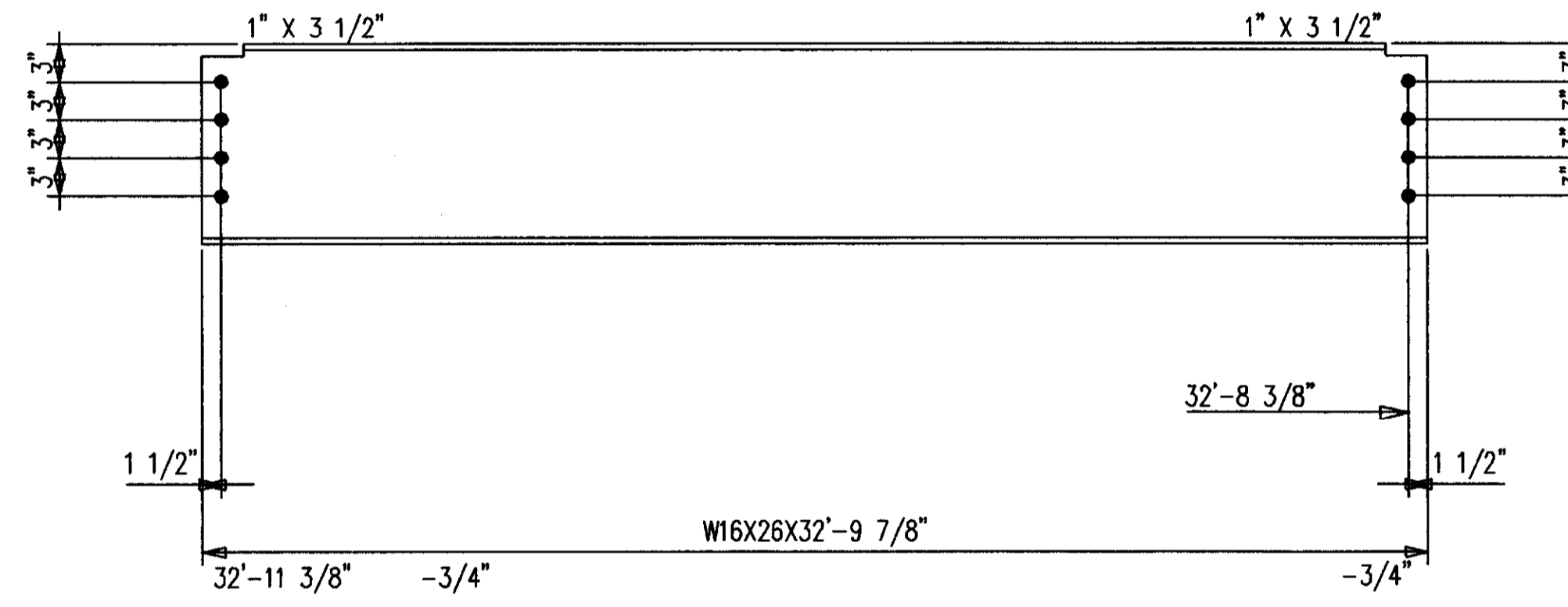
6-BEAMS 328B4  
48-A490 1 X 2 1/4 F1636H  
48-LOAD IND WASH 1 F16LIW



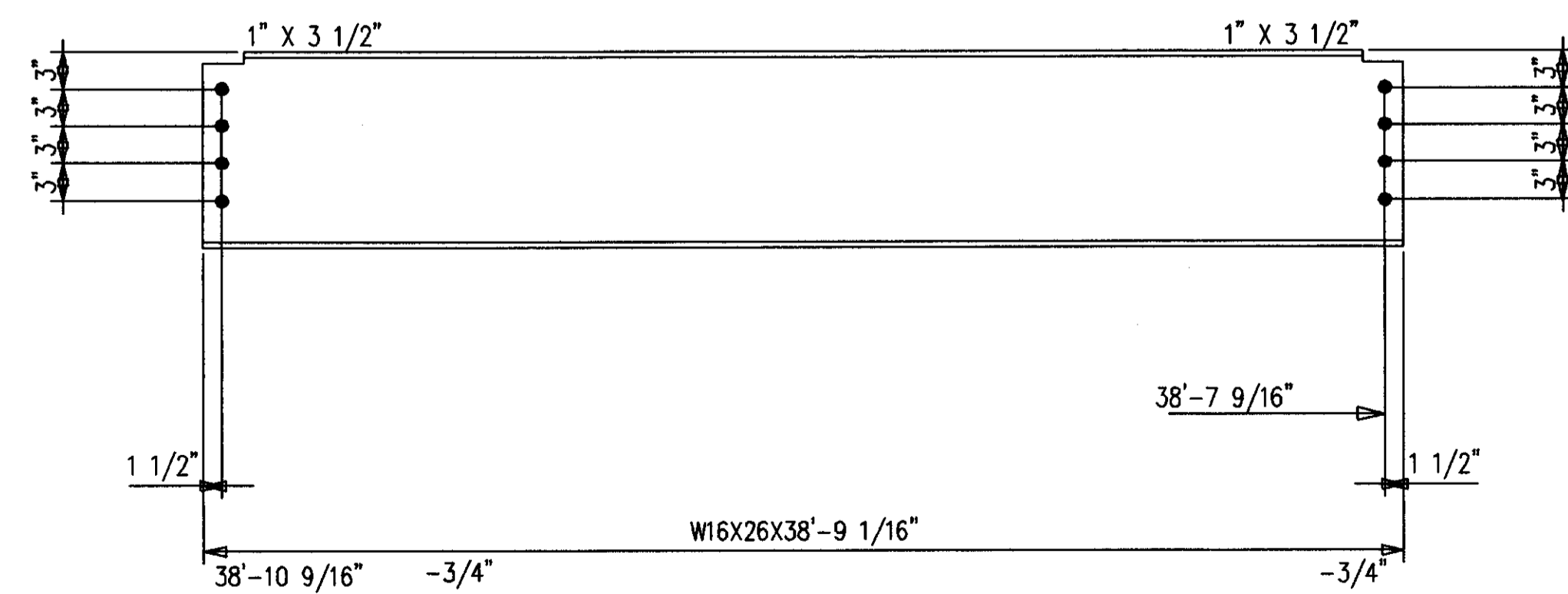
SECTION A



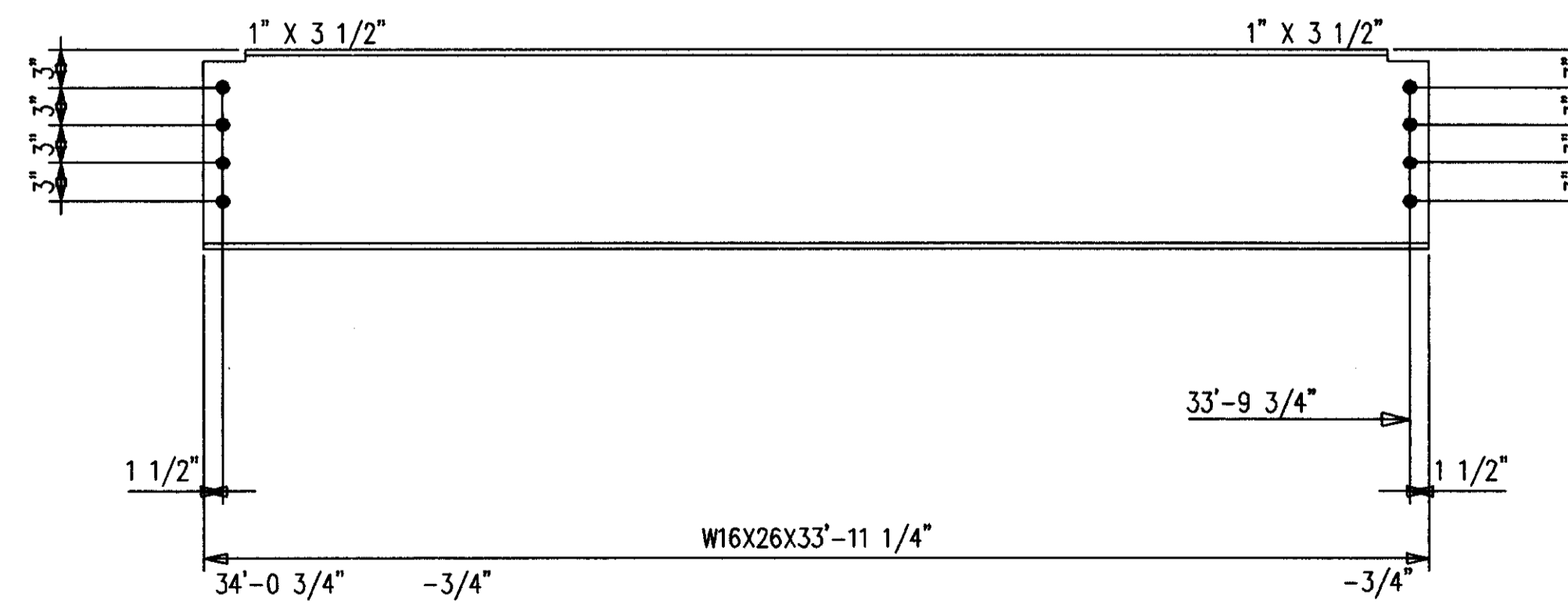
2-BEAMS 328B2  
16-A490 1 X 2 1/4 F1636H  
16-LOAD IND WASH 1 F16LIW



6-BEAMS 328B5  
48-A490 1 X 2 1/4 F1636H  
48-LOAD IND WASH 1 F16LIW



2-BEAMS 328B3  
16-A490 1 X 2 1/4 F1636H  
16-LOAD IND WASH 1 F16LIW



6-BEAMS 328B6  
48-A490 1 X 2 1/4 F1636H  
48-LOAD IND WASH 1 F16LIW

SHOP NOTES:  
1. ALL STEEL PRIMER ONLY.

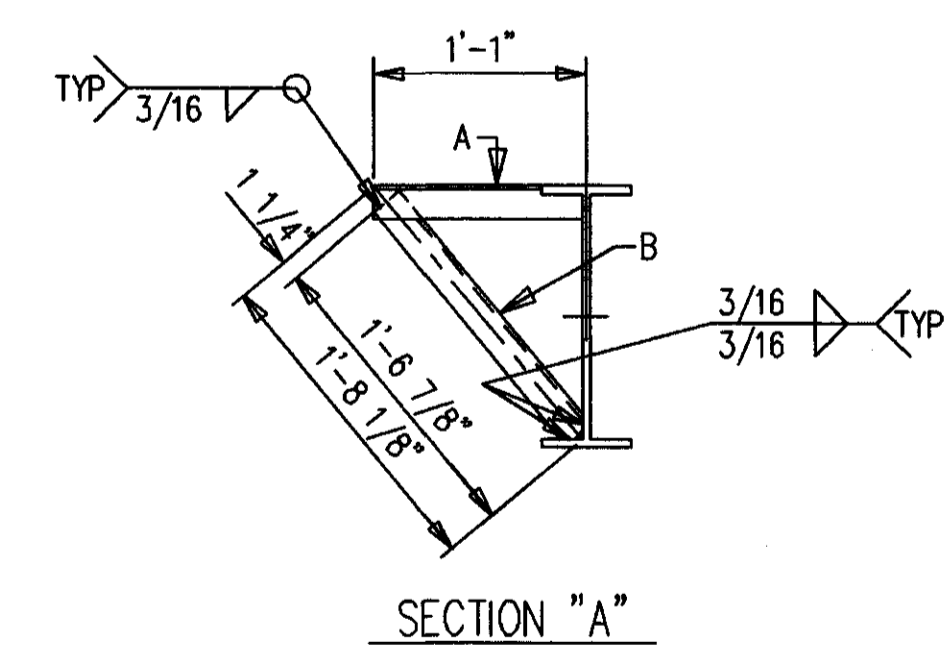
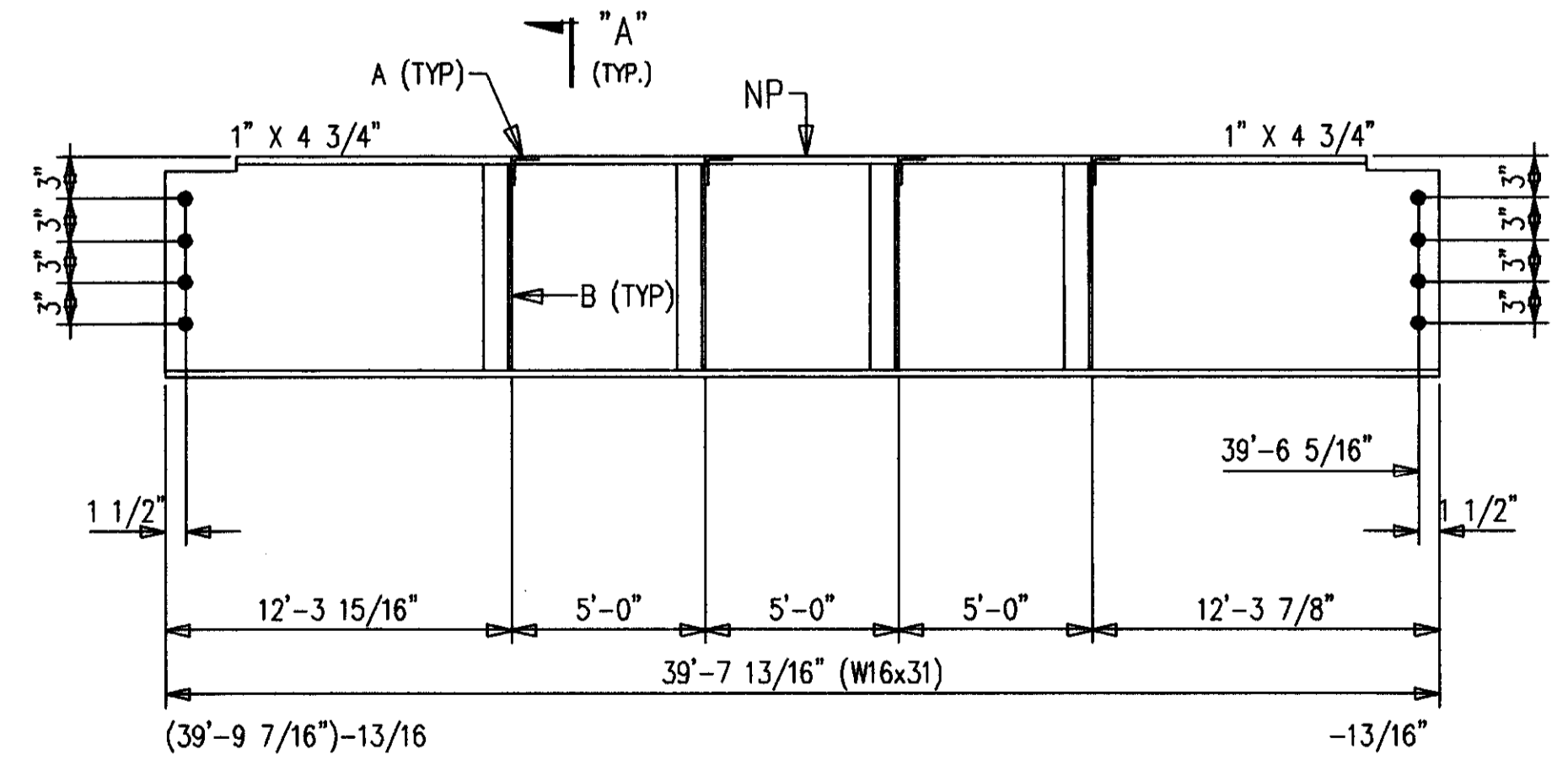
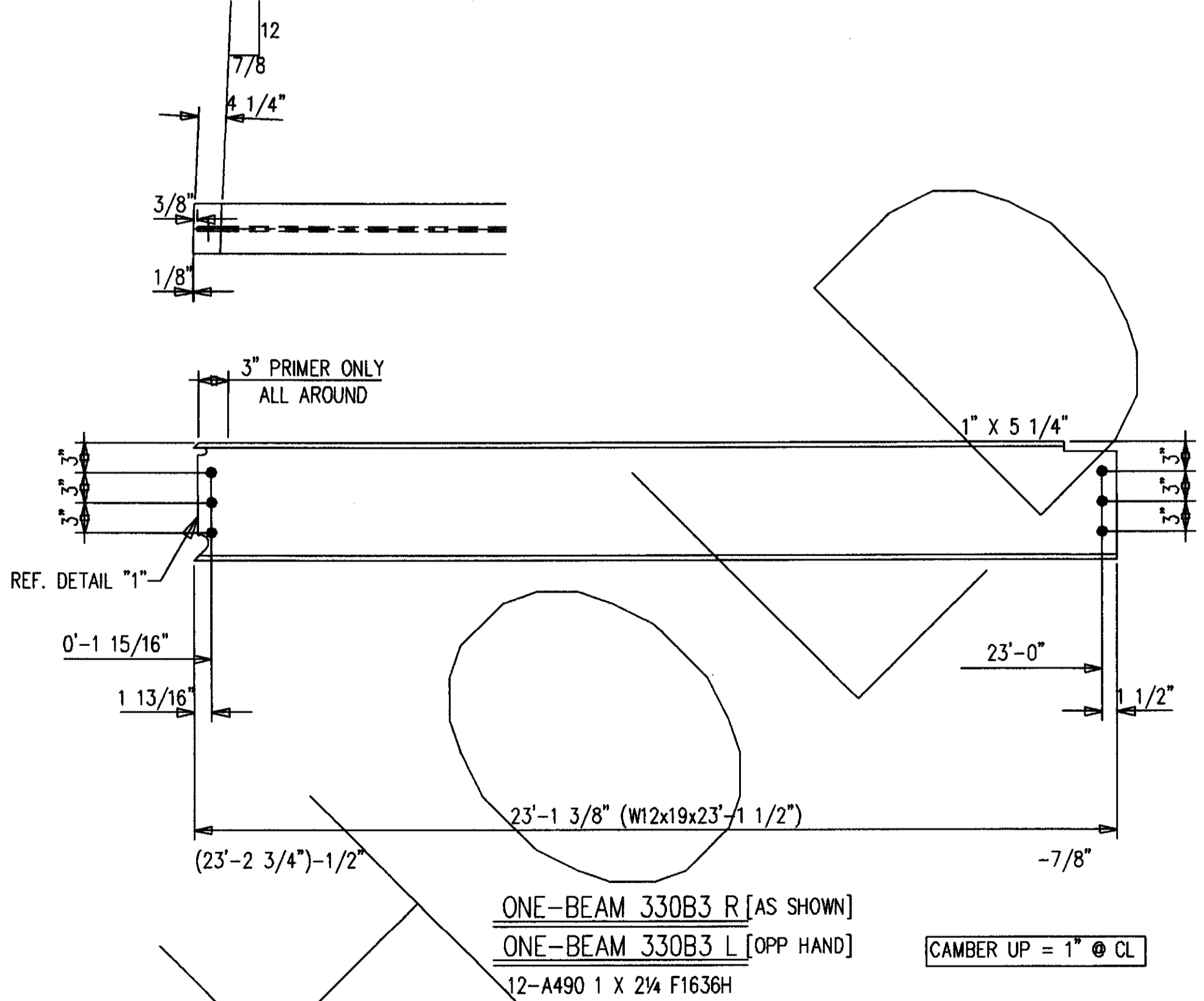
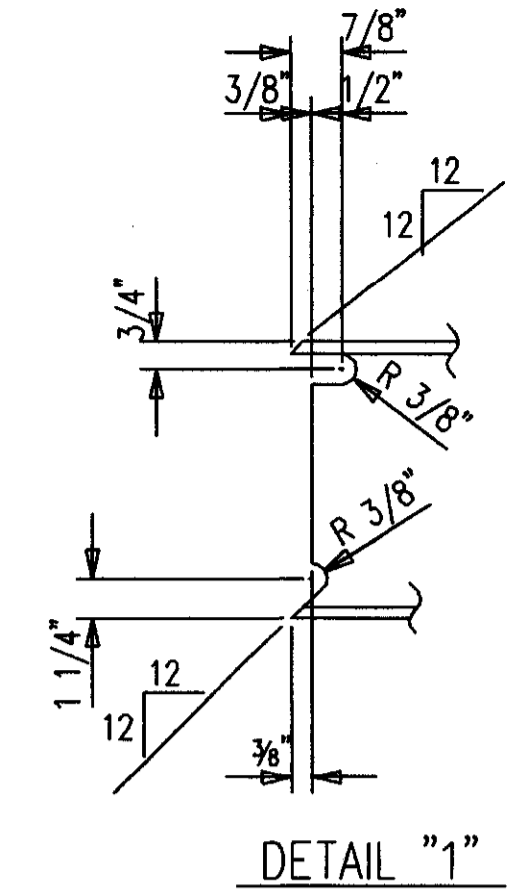
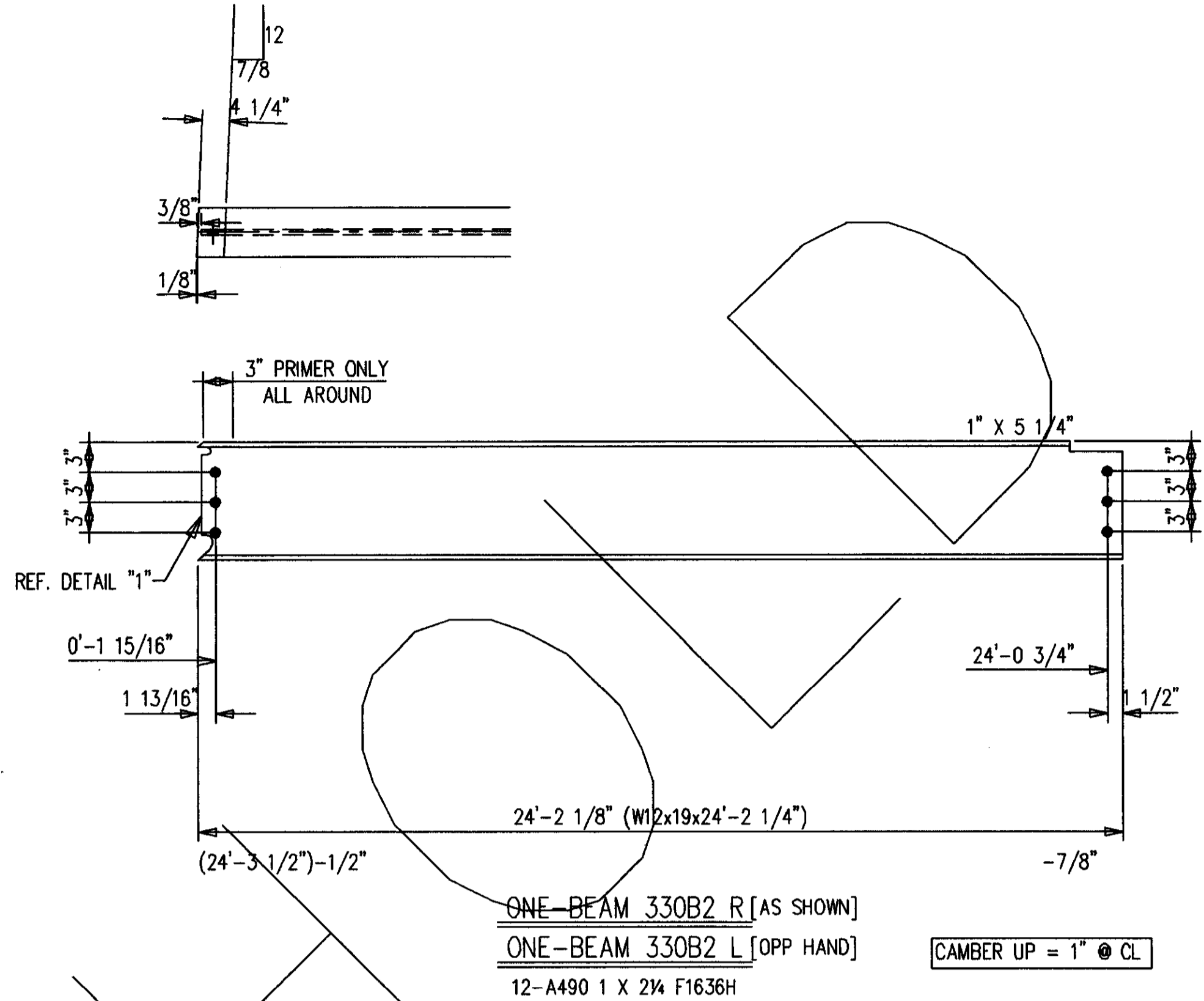
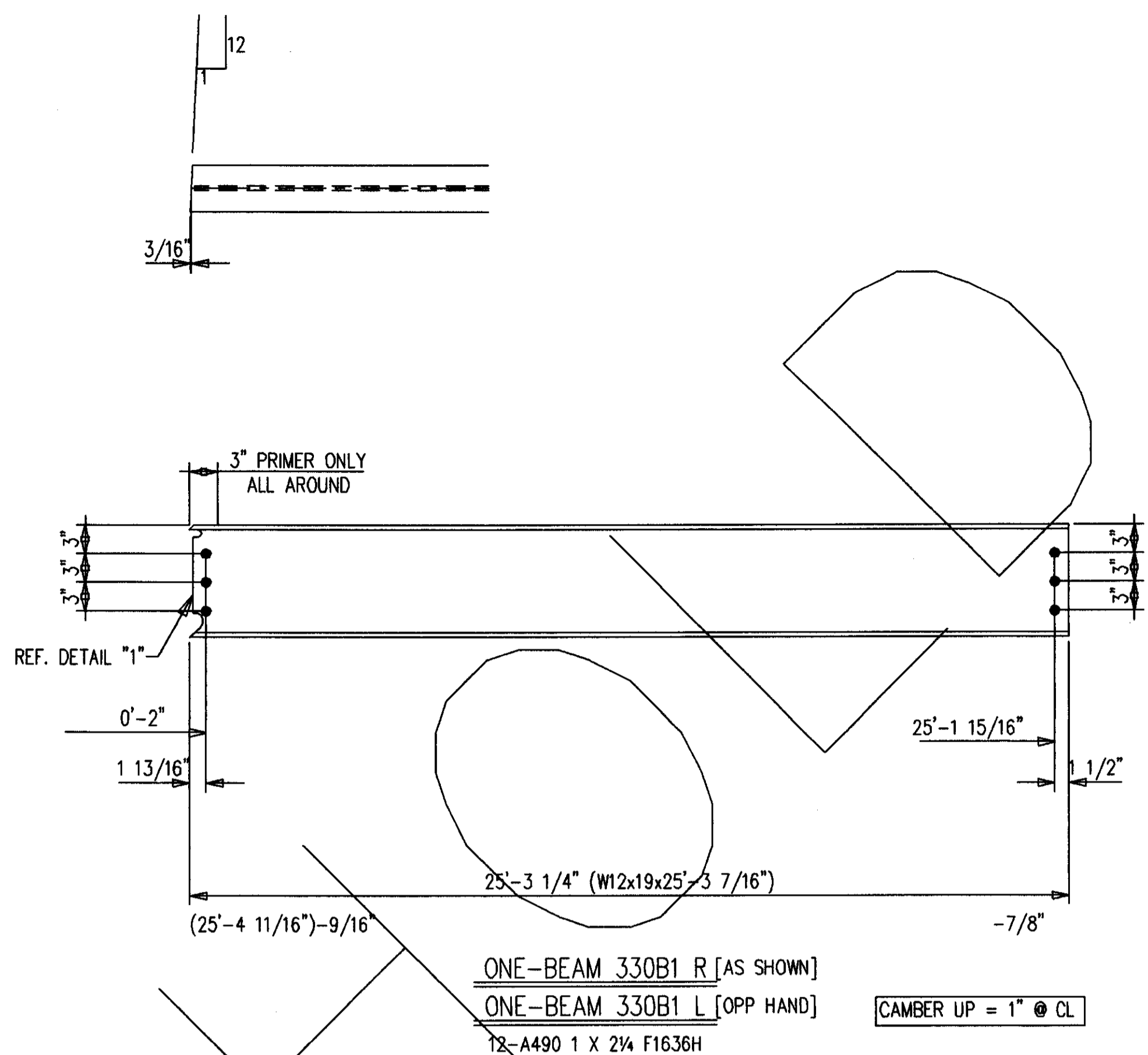
AS BUILT  
NAME: *Map Hughes*  
DATE: AUG 16 1999

ALL RE-ENTRANT CUTS MIN. 1/2" RAD. U/W	WELD ELECTRODE E70XX	CHECKED BY GCL	DATE 10/98	CONTRACTOR TURNER CONSTRUCTION COMPANY
ALL A325 BOLTS w/ONE HARD WASH. AND HWY HEX NUT	SHOP PAINT SEE SPECS	DATE 10/98	ENGINEER WALTER P. MOORE	
ALL A307 BOLTS w/HEX NUT	DRAWING TITLE BEAMS			

MID STATES STEEL PRODUCTS CO.  
FABRICATORS OF STRUCTURAL AND MISCELLANEOUS STEEL

ORDER NO.  
P3524  
SHEET NO.  
328





SHOP NOTES:  
1. NP=NO PAINT IN 3" WIDE STRIP, CENTER OF BEAM, FULL LENGTH.

AS BUILT  
NAME: *Max Hughes*  
DATE: AUG 16 1999

NO.	DATE	REVISION DESCRIPTION	DWN	LOG

CONTRACTOR TO CHECK ALL DIMENSIONS AT JOB AS MID STATES STEEL PRODUCTS CO. ASSUMES NO RESPONSIBILITY FOR GENERAL BUILDING DIMENSIONS. NO BACK CHARGES PERTAINING TO THIS WORK WILL BE ACCEPTED WITHOUT PRIOR AUTHORIZATION BY MID STATES STEEL PRODUCTS CO.

MATERIAL U/N A36	DRAWN BY DFD	JOB NAME COMMONWEALTH STADIUM EXPANSION
OPEN HOLES U/N 1 1/16" Ø	DATE 10/98	JOB LOCATION UNIVERSITY OF KENTUCKY
WELD ELECTRODE U/N E70XX	CHECKED BY GCL	CONTRACTOR TURNER CONSTRUCTION COMPANY
SHOP PAINT SEE SPECS	DATE 10/98	ENGINEER WALTER P. MOORE

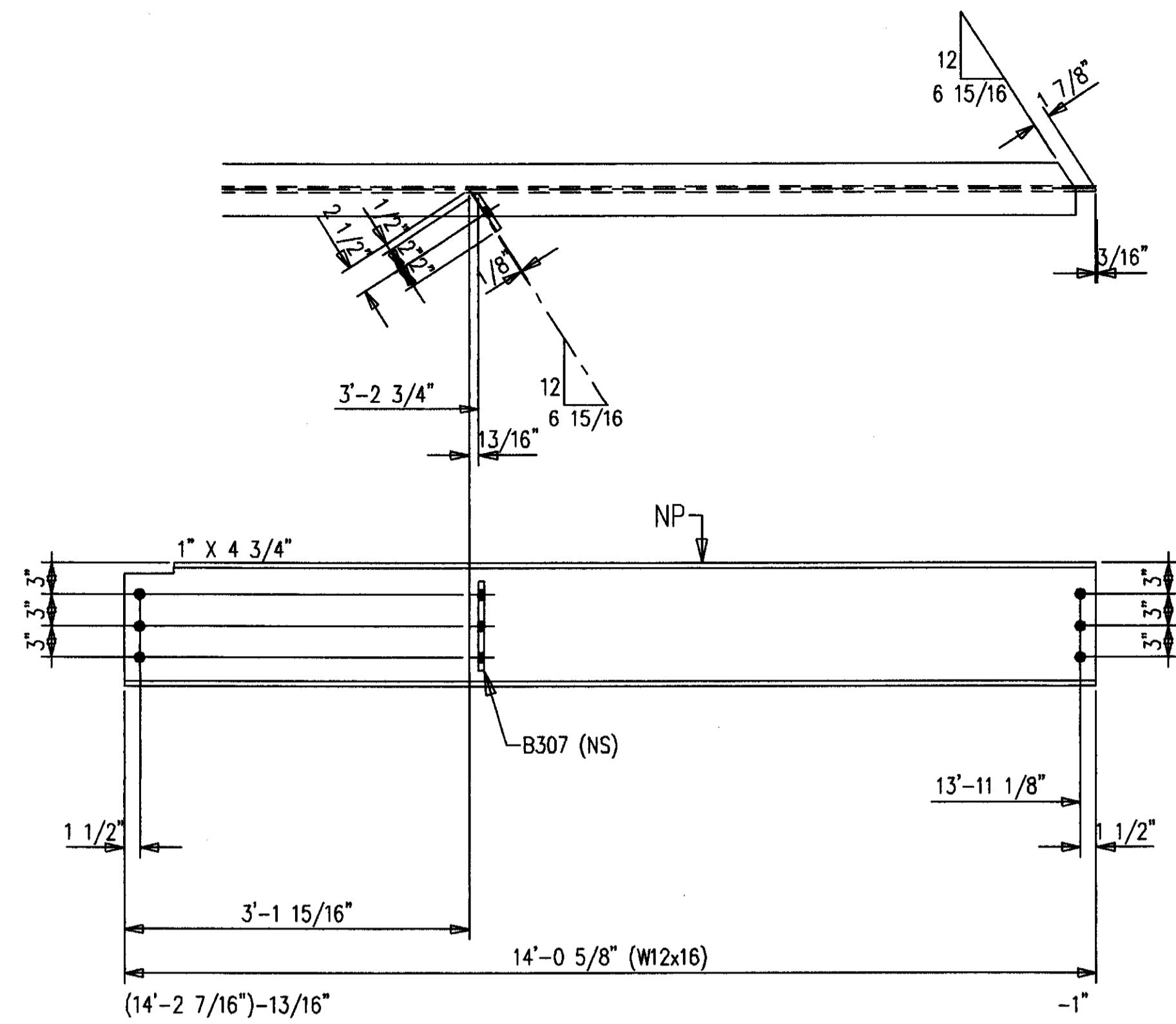
DRAWING TITLE BEAMS

P.O. BOX 11128-2044 BUCK LANE  
LEXINGTON, KENTUCKY 40511  
PHONE: 606-253-4344 FAX: 606-253-4346

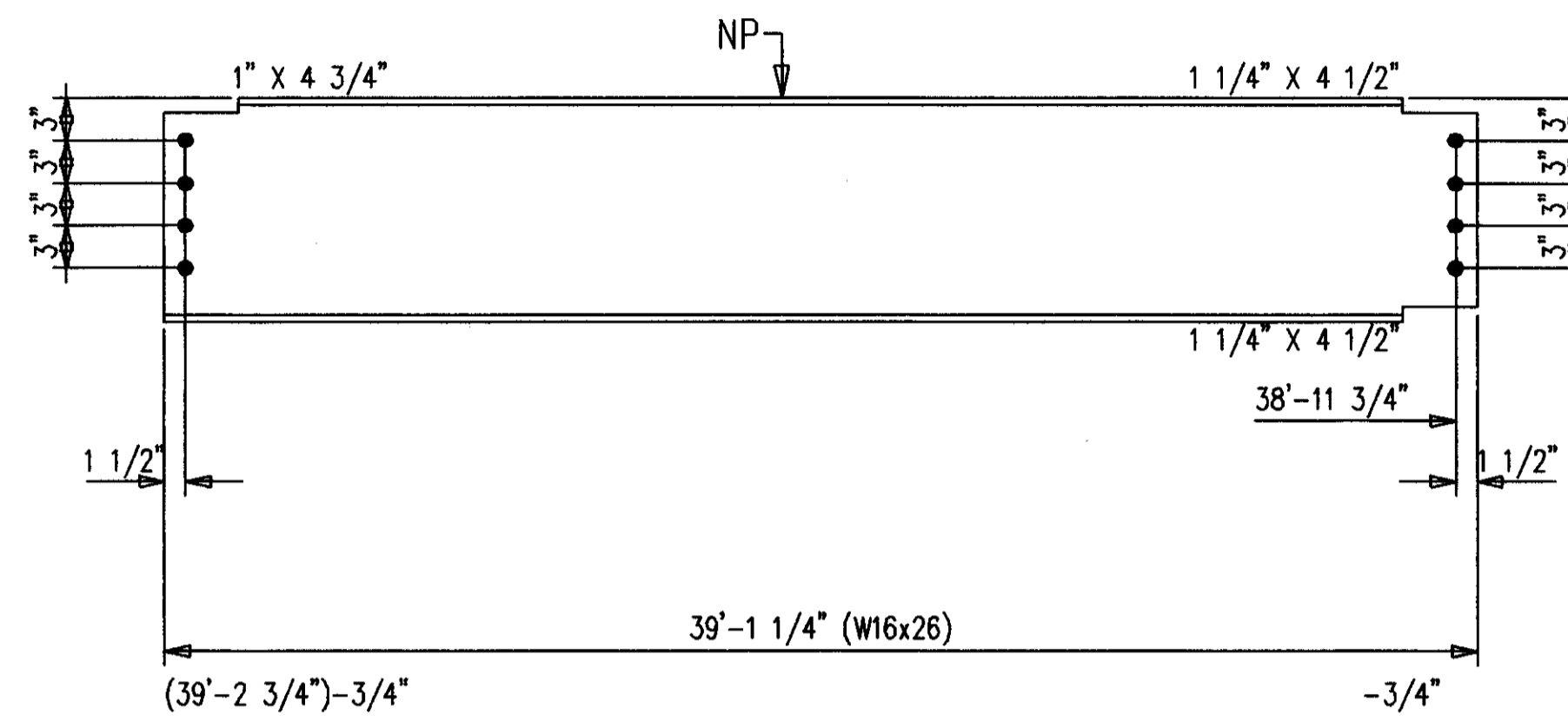
ORDER NO. P3524  
SHEET NO. 330

DATE	APP	SHOP	FIELD

BILL OF MATERIAL						
SHIP MARK SUB MARK	NO. PCS.	DESCRIPTION	LENGTH		CL UST T	REMARKS
			FT.	IN.		
330B1 L	ONE	BEAM				
330B1	1	W12X19 A572	25	3-7/16		P/BC1E
330B1 R	ONE	BEAM				
330B1	1	W12X19 A572	25	3-7/16		P/BC1E
330B2 L	ONE	BEAM				
330B2	1	W12X19 A572	24	2-1/4		P/BC1E
330B2 R	ONE	BEAM				
330B2	1	W12X19 A572	24	2-1/4		P/BC1E
330B3 L	ONE	BEAM				
330B3	1	W12X19 A572	23	1-1/2		P/BC1E
330B3 R	ONE	BEAM				
330B3	1	W12X19 A572	23	1-1/2		P/BC1E
330B4	2	BEAMS				
330B4	2	W16X31 A572	39	7-13/16		P
A330	8	L2X2X3/16	1	0-7/8		CTF
B330	8	L2X2X3/16	1	6-1/2		CTF
330M1	8	ANGLES				
330M1	8	L2X2X3/16	6	7		PLAIN
		FIELD BOLTS				
F1636H	53	A490 1X2-1/4				
F16LIW	53	A LOAD IND 1				

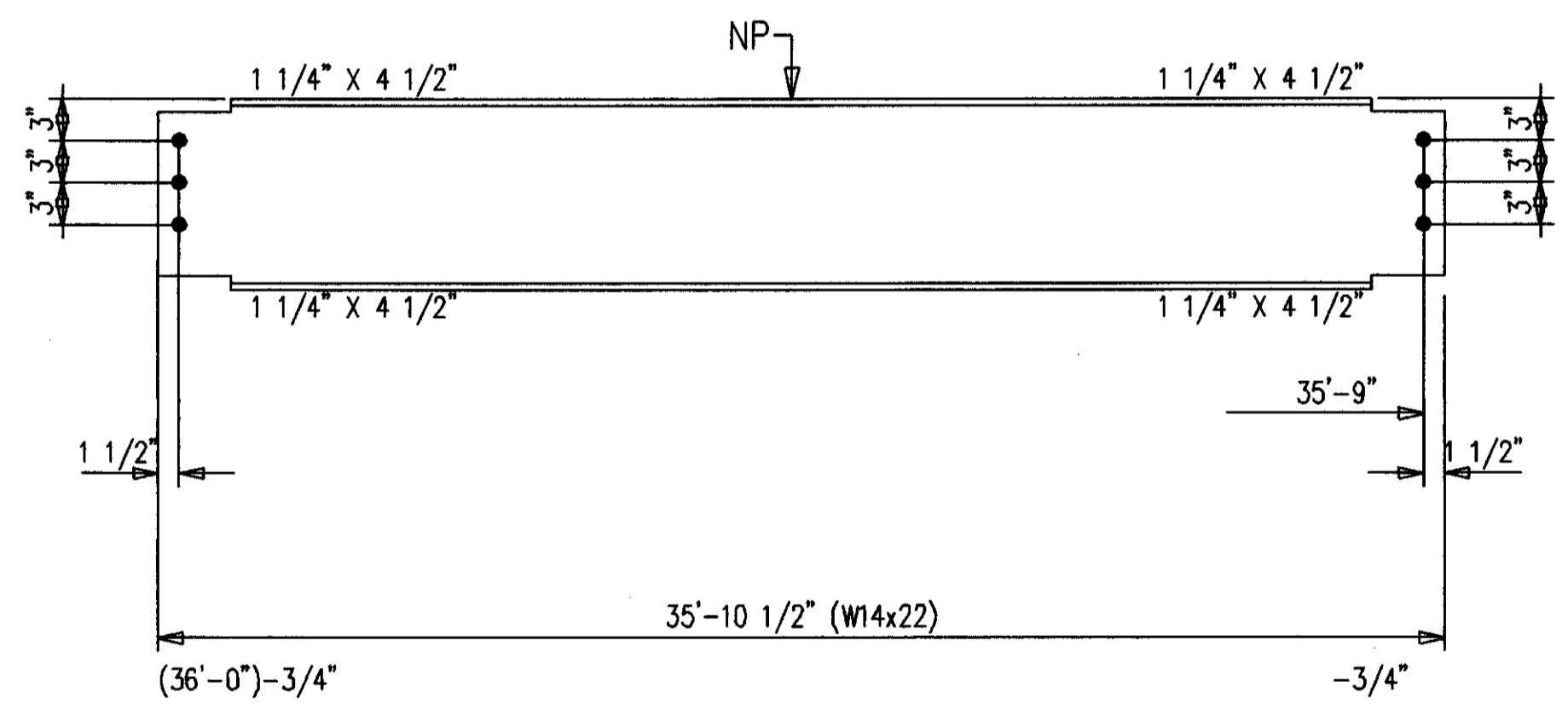


ONE-BEAM 331B1 R [AS SHOWN]  
 ONE-BEAM 331B1 L [OPP HAND]  
 12-A490 1 X 2 1/4 F1636H



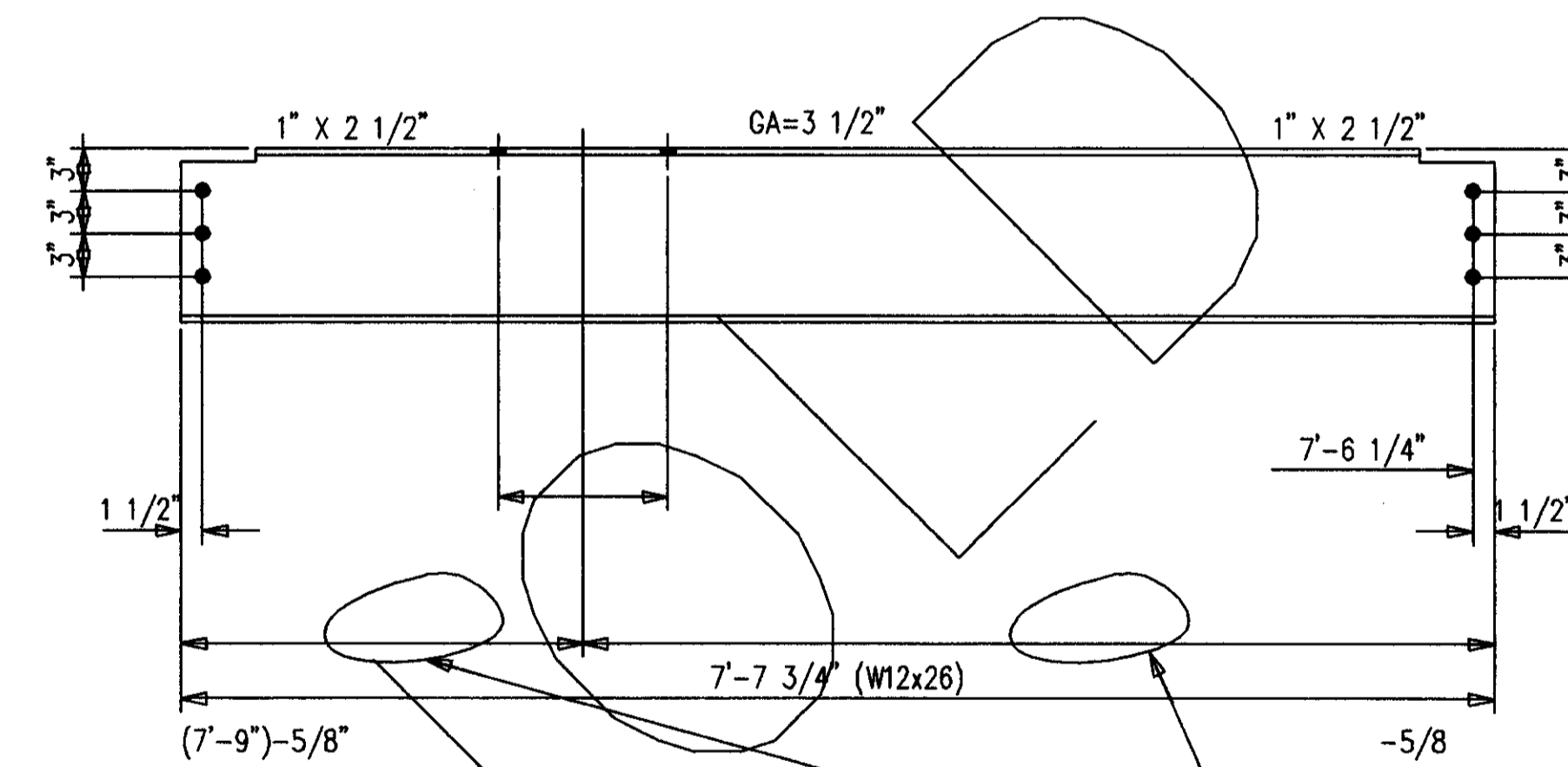
2-BEAMS 331B2  
 16-A490 1 X 2 1/4 F1636H

CAMBER UP = 1-1/2" @ CL



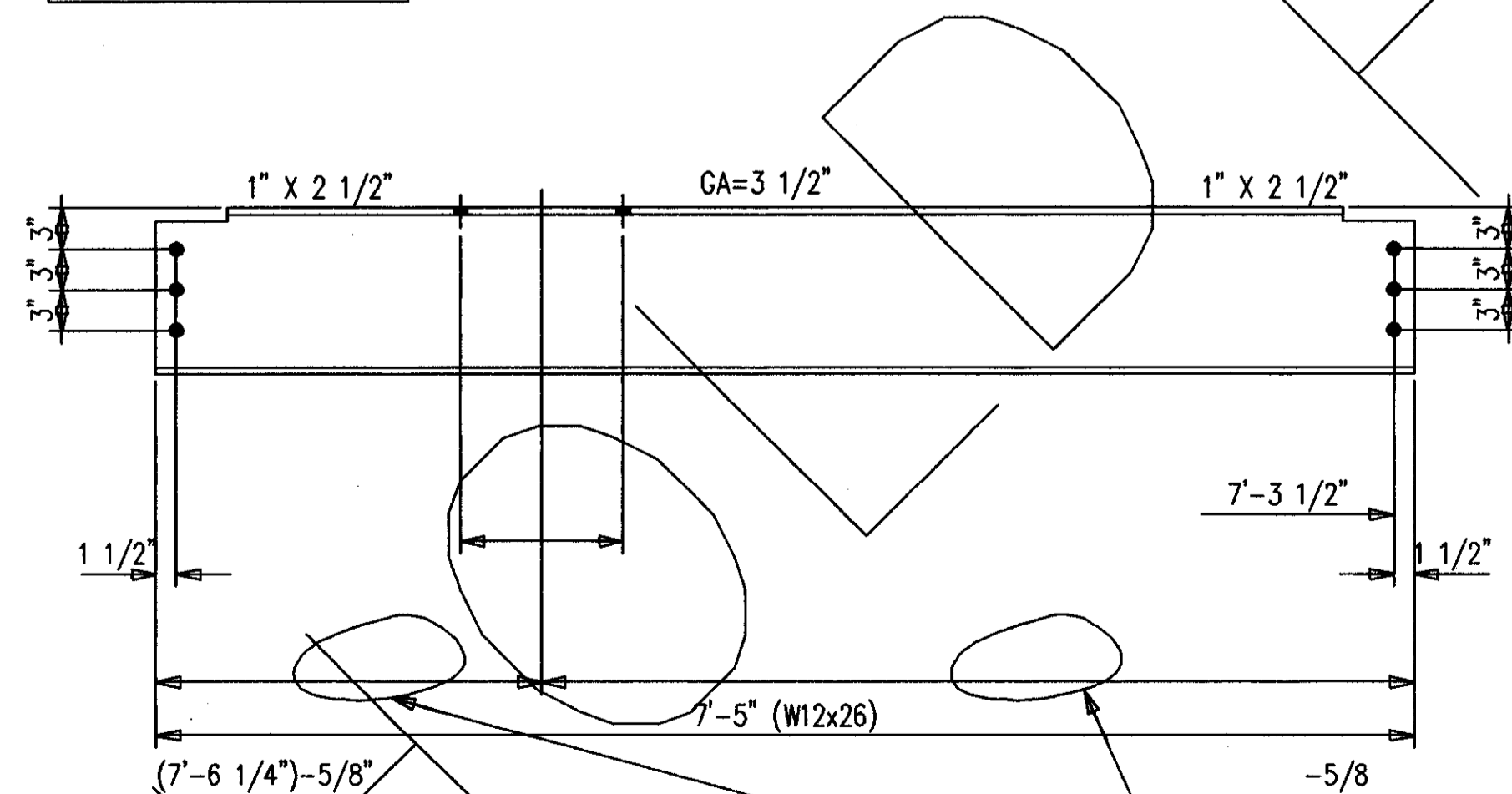
2-BEAMS 331B3  
 12-A490 1 X 2 1/4 F1636H

CAMBER UP = 1-3/4" @ CL



2-BEAMS 331B4  
 12-A490 1 X 2 1/4 F1636H

ARCHITECT/ENGINEER  
 PLEASE FURNISH/LOCATE  
 COLUMN



2-BEAMS 331B4  
 12-A490 1 X 2 1/4 F1636H

ARCHITECT/ENGINEER  
 PLEASE FURNISH/LOCATE  
 COLUMN

BILL OF MATERIAL

SHIP MARK SUB MARK	NO. PCS.	DESCRIPTION	LENGTH		CL U S T	REMARKS
			FT.	IN.		
331B1 L	ONE	BEAM				
331B1	1	W12X16 A572	14	0-5/8		P
B307	1	FB1/2X4	0	9		P
331B1 R	ONE	BEAM				
331B1	1	W12X16 A572	14	0-5/8		P
B307	1	FB1/2X4	0	9		P
331B2	2	BEAMS				
331B2	2	W16X26 A572	39	1-1/4		P
331B3	2	BEAMS				
331B3	2	W14X22 A572	35	10-1/2		P
331B4	2	BEAMS				
331B4	2	W12X26 A572	7	7-3/4		P
331B5	2	BEAMS				
331B5	2	W12X26 A572	7	5		P
		FIELD BOLTS				
F1636H	65	A490 1X2-1/4				
F16L1W	65	A LOAD IND 1				

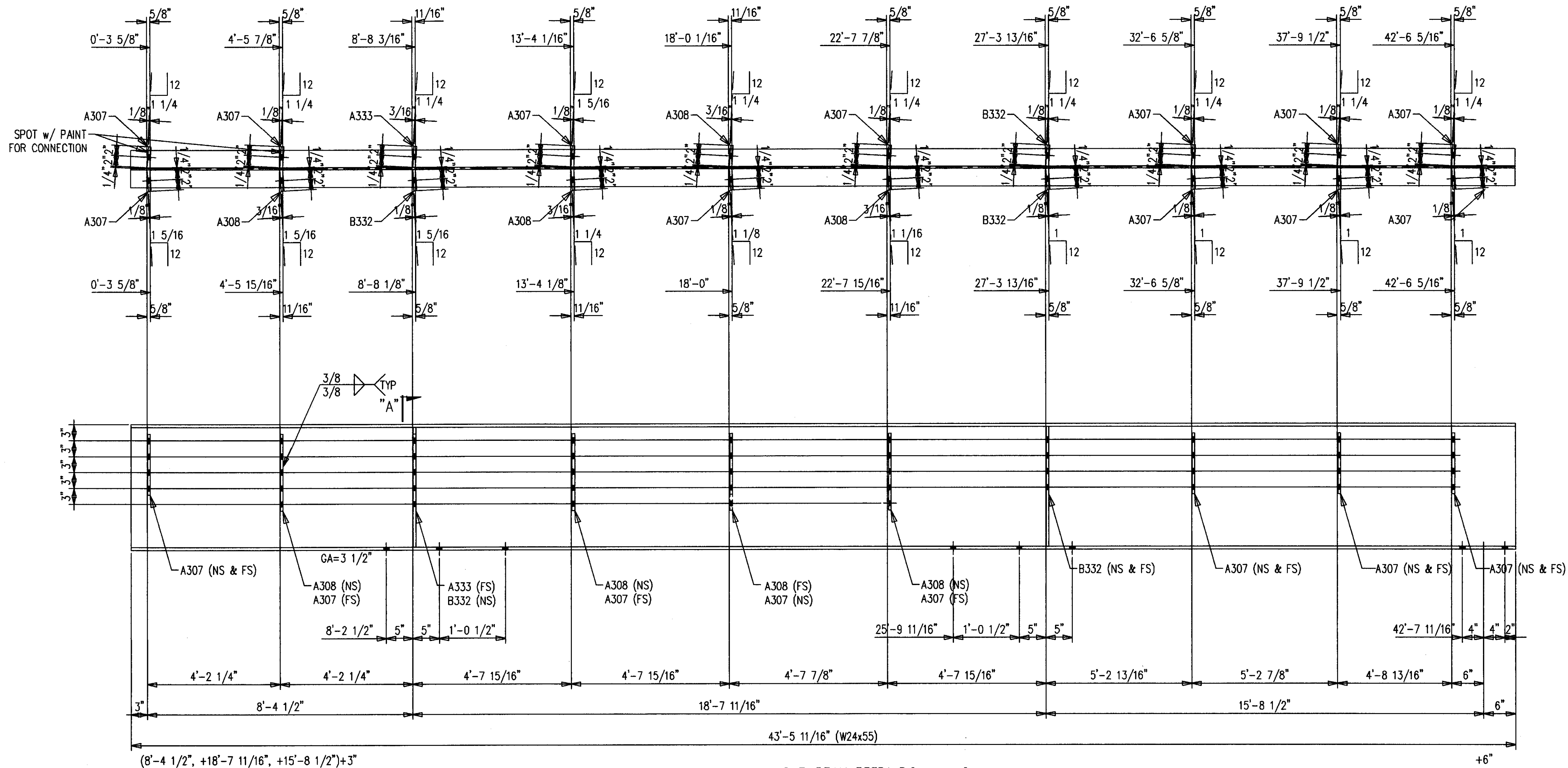
SHOP NOTES:  
 1. NP=NO PAINT IN 3" WIDE STRIP,  
 CENTER OF BEAM, FULL LENGTH.

AS BUILT  
 NAME: *Map Hughes*  
 DATE: AUG 16 1999

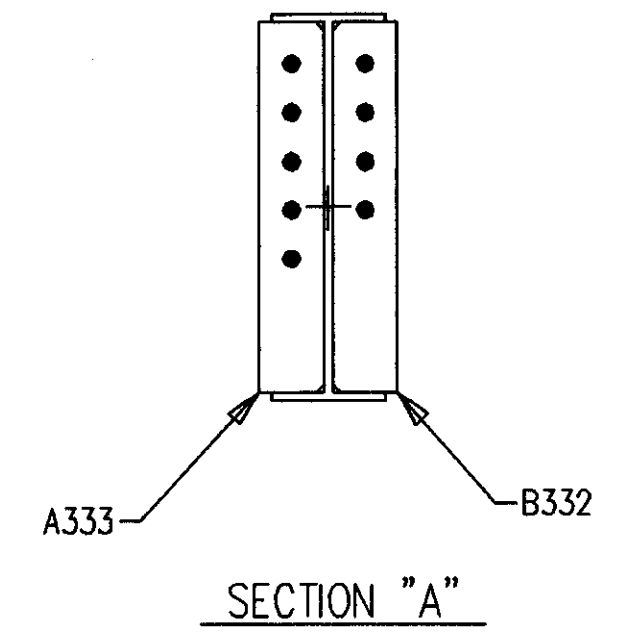
ALL RE-ENTRANT CUTS MIN. 1/2" RAD. U/N				WELD ELECTRODE U/N E70XX		CHECKED BY GCL		DATE 10/98	
ALL A325 BOLTS W/ONE HARD WASH. AND HVY HEX NUT				SHOP PAINT SEE SPECS		DATE 10/98		ENGINEER WALTER P. MOORE	
ALL A307 BOLTS W/HEX NUT				DRAWING TITLE BEAMS		P.O. BOX 11128-2044 BUCK LANE LEXINGTON, KENTUCKY 40511 PHONE: 606-233-4344 FAX: 606-233-4346		ORDER NO. P3524	
DATE	APP	SHOP	FIELD	MID STATES STEEL PRODUCTS CO. FABRICATORS OF STRUCTURAL AND MISCELLANEOUS STEEL		SHEET NO. 331		Cub # 206 A-1	







ONE-BEAM 333B1 R [AS SHOWN]  
 ONE-BEAM 333B1 L [OPP HAND]  
 32-A490 1 X 2 3/4 F1644H



SHOP NOTE:  
 ALL STEEL GETS PRIMER ONLY

BILL OF MATERIAL

SHIP MARK SUB MARK	NO. PCS.	DESCRIPTION	LENGTH		CL U S T	REMARKS
			FT.	IN.		
333B1 L	ONE	BEAM				
333B1	1	W24X55 A572	43	5-11/16		P
A307	12	FBI/2X4	1	0		P
A308	4	FBI/2X4	1	3		P
A333	1	FBI/2X4	1	10-5/8		STIFF/P
B332	3	FBI/2X4	1	10-5/8		STIFF/P
333B1 R	ONE	BEAM				
333B1	1	W24X55 A572	43	5-11/16		P
A307	12	FBI/2X4	1	0		P
A308	4	FBI/2X4	1	3		P
A333	1	FBI/2X4	1	10-5/8		STIFF/P
B332	3	FBI/2X4	1	10-5/8		STIFF/P
		FIELD BOLTS				
F1644H	33	A490 1X2-3/4				
F16LIW	33	A LOAD IND 1				

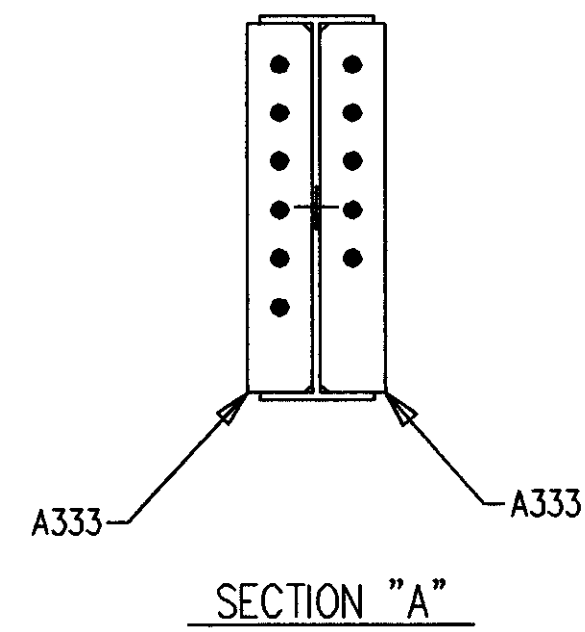
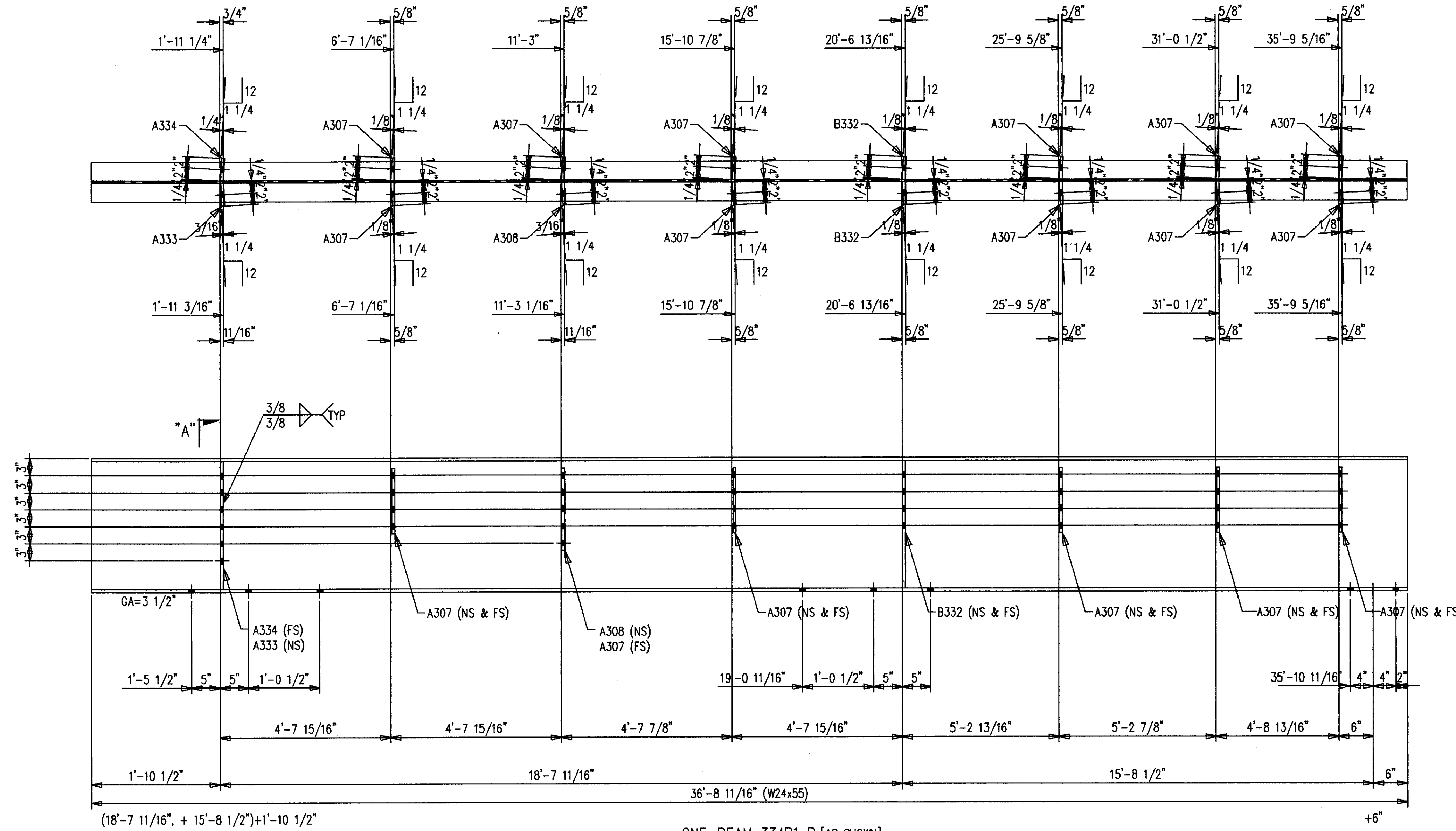
AS BUILT  
 NAME: *Map Hughes*  
 DATE: AUG 16 1999

NO.		DATE		REVISION DESCRIPTION		DWG. CHKD.	
CONTRACTOR TO CHECK ALL DIMENSIONS AT JOB AS MID STATES STEEL PRODUCTS CO. ASSUMES NO RESPONSIBILITY FOR GENERAL BUILDING DIMENSIONS. NO BACK CHARGES PERTAINING TO THIS WORK WILL BE ACCEPTED WITHOUT PRIOR AUTHORIZATION BY MID STATES STEEL PRODUCTS CO.							
MATERIAL U/N	A36	DRAWN BY	DFD	JOB NAME	COMMONWEALTH STADIUM EXPANSION		
OPEN HOLES U/N	1/16" Ø	DATE	10/98	JOB LOCATION	UNIVERSITY OF KENTUCKY		
WELD ELECTRODE U/N	E70XX	CHECKED BY	GCL	CONTRACTOR	TURNER CONSTRUCTION COMPANY		
SHOP PAINT	SEE SPECS	DATE	10/98	ENGINEER	WALTER P. MOORE		
ALL A307 BOLTS w/HEX NUT		DRAWING TITLE	BEAMS				
DATE	APP	SHOP	FIELD	P.O. BOX 11128-2044 BUCK LANE LEXINGTON, KENTUCKY 40511 PHONE: 606-233-4344 FAX: 606-233-4346			
				ORDER NO.	P3524		
				SHEET NO.	333		
FABRICATORS OF STRUCTURAL AND MISCELLANEOUS STEEL							

Doc # 34714  
 206 A-1

# BILL OF MATERIAL

SHIP MARK SUB MARK	NO. PCS.	DESCRIPTION	LENGTH		REMARKS
			FT.	IN.	
334B1 L	ONE	BEAM			
334B1	1	W24X55 A572	36	8-11/16	P
A307	11	FB1/2X4	1	0	P
A308	1	FB1/2X4	1	3	P
A333	1	FB1/2X4	1	10-5/8	STIFF/P
A334	1	FB1/2X4	1	10-5/8	STIFF/P
B332	2	FB1/2X4	1	10-5/8	STIFF/P
334B1 R	ONE	BEAM			
334B1	1	W24X55 A572	36	8-11/16	P
A307	11	FB1/2X4	1	0	P
A308	1	FB1/2X4	1	3	P
A333	1	FB1/2X4	1	10-5/8	STIFF/P
A334	1	FB1/2X4	1	10-5/8	STIFF/P
B332	2	FB1/2X4	1	10-5/8	STIFF/P
		FIELD BOLTS			
F1644H	33	A490 1X2-3/4			
F16LIW	33	A LOAD IND 1			



SHOP NOTE:  
ALL STEEL GETS PRIMER ONLY

AS BUILT  
NAME: *Prof. Hughes*  
DATE: AUG 16 1999

NO.	DATE	REVISION DESCRIPTION	BY	CHKD.

CONTRACTOR TO CHECK ALL DIMENSIONS AT JOB AS MID STATES STEEL PRODUCTS CO. ASSUMES NO RESPONSIBILITY FOR GENERAL BUILDING DIMENSIONS. NO BACK CHARGES PERTAINING TO THIS WORK WILL BE ACCEPTED WITHOUT PRIOR AUTHORIZATION BY MID STATES STEEL PRODUCTS CO.

MATERIAL U/N A36	DRAWN BY DFD	JOB NAME COMMONWEALTH STADIUM EXPANSION
OPEN HOLES U/N 1 1/16" Ø	DATE 10/98	JOB LOCATION UNIVERSITY OF KENTUCKY
WELD ELECTRODE U/N E70XX	CHECKED BY GCL	CONTRACTOR TURNER CONSTRUCTION COMPANY
SHOP PAINT SEE SPECS	DATE 10/98	ENGINEER WALTER P. MOORE

ALL RE-ENTRANT CUTS MIN. 1/2" RAD. U/N	DATE	APP	SHOP	FIELD
ALL A325 BOLTS w/ONE HARD WASH. AND HYV HEX NUT				
ALL A307 BOLTS w/HEX NUT				

DRAWING TITLE BEAMS

P.O. BOX 11128-2044 BUCK LANE  
LEXINGTON, KENTUCKY 40511  
PHONE: 606-233-4344 FAX: 606-233-4346

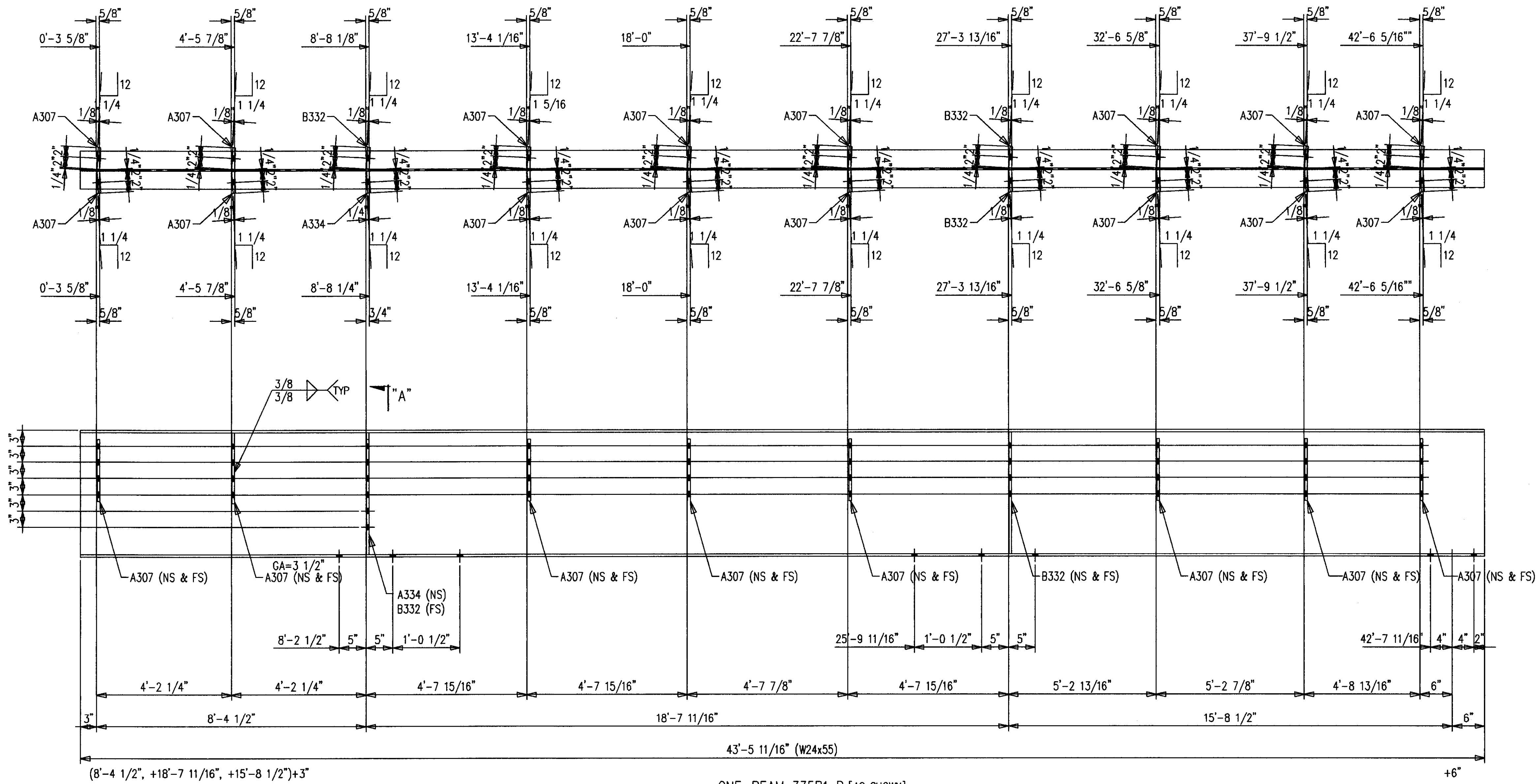
ORDER NO. P3524  
SHEET NO. 334

FABRICATORS OF STRUCTURAL AND MISCELLANEOUS STEEL

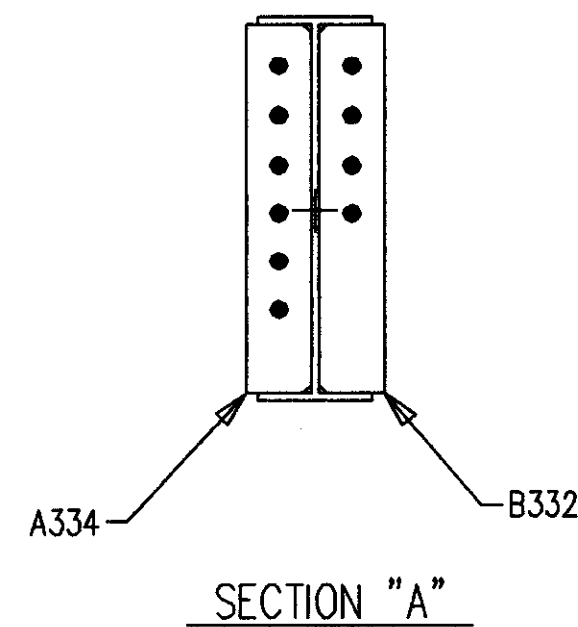
Doc # 347715  
S10C B-1 206

BILL OF MATERIAL

SHIP MARK SUB MARK	NO. PCS.	DESCRIPTION	LENGTH		CL LIST	REMARKS
			FT.	IN.		
335B1 L	ONE	BEAM				
335B1	1	W24X55 A572	43	5-11/16		P
A307	16	FB1/2X4	1	0		P
A334	1	FB1/2X4	1	10-5/8		STIFF/P
B332	3	FB1/2X4	1	10-5/8		STIFF/P
335B1 R	ONE	BEAM				
335B1	1	W24X55 A572	43	5-11/16		P
A307	16	FB1/2X4	1	0		P
A334	1	FB1/2X4	1	10-5/8		STIFF/P
B332	3	FB1/2X4	1	10-5/8		STIFF/P
		FIELD BOLTS				
F1644H	33	A490 1X2-3/4				
F16LIW	33	A LOAD IND 1				



ONE-BEAM 335B1 R [AS SHOWN]  
 ONE-BEAM 335B1 L [OPP HAND]  
 32-A490 1 X 2 3/4 F1644H



SHOP NOTE:  
 ALL STEEL GETS PRIMER ONLY

AS BUILT  
 DATE: AUG 16 1999

NO.	DATE	REVISION DESCRIPTION	APP.	CHK.

CONTRACTOR TO CHECK ALL DIMENSIONS AT JOB AS MID STATES STEEL PRODUCTS CO. ASSUMES NO RESPONSIBILITY FOR GENERAL BUILDING DIMENSIONS. NO BACK CHARGES PERTAINING TO THIS WORK WILL BE ACCEPTED WITHOUT PRIOR AUTHORIZATION BY MID STATES STEEL PRODUCTS CO.

MATERIAL U/N A36	DRAWN BY DFD	JOB NAME COMMONWEALTH STADIUM EXPANSION
OPEN HOLES U/N 1 1/16" Ø	DATE 10/98	JOB LOCATION UNIVERSITY OF KENTUCKY
WELD ELECTRODE U/N E70XX	CHECKED BY GCL	CONTRACTOR TURNER CONSTRUCTION COMPANY
ALL A325 BOLTS w/ONE HARD WASH. AND HVY HEX NUT	DATE 10/98	ENGINEER WALTER P. MOORE
ALL A307 BOLTS w/HEX NUT	DRAWING TITLE BEAMS	

DATE	APP.	SHOP	FIELD

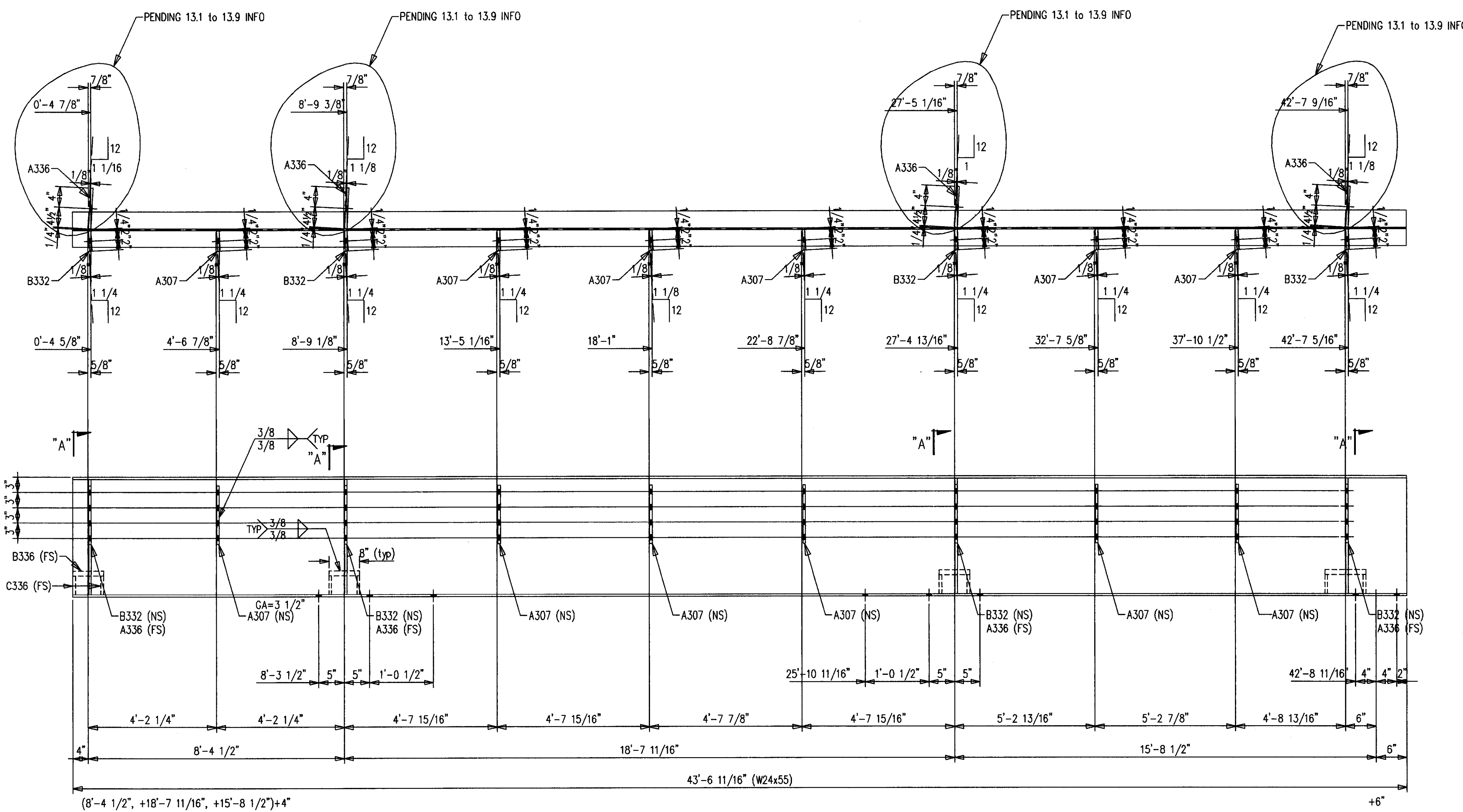
P.O. BOX 11128-2044 BUCK LANE  
 LEXINGTON, KENTUCKY 40511  
 PHONE: 606-233-4344 FAX: 606-233-4346

MID STATES STEEL PRODUCTS CO.  
 FABRICATORS OF STRUCTURAL AND MISCELLANEOUS STEEL

ORDER NO. P3524  
 SHEET NO. 335

# BILL OF MATERIAL

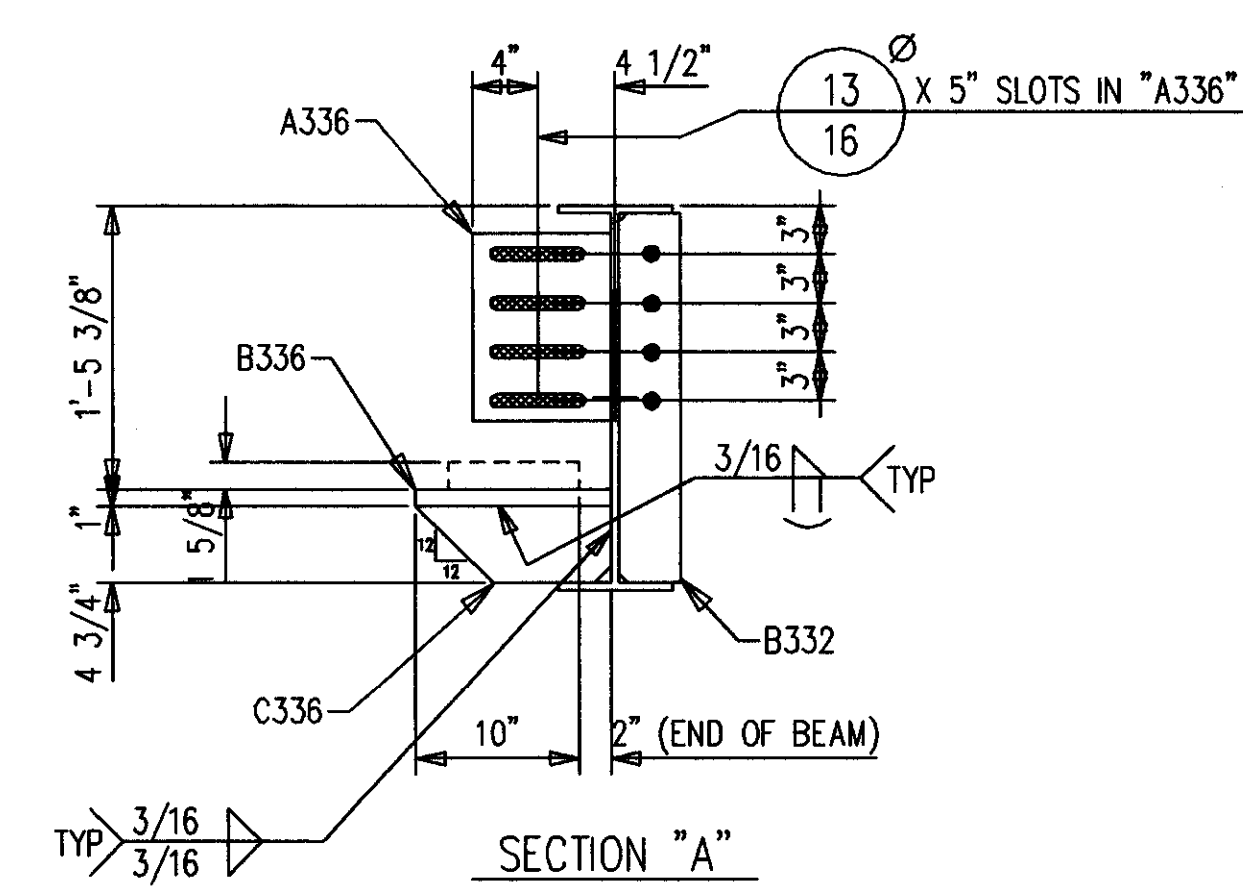
SHIP MARK SUB MARK	QTY PCS	DESCRIPTION	LENGTH		CL UNIT	REMARKS
			FT.	IN.		
336B1 L	ONE	BEAM				
336B1	1	W24X55 A572	43	6-11/16		P
A307	6	FB1/2X4	1	0		P
A336	4	PL3/4X8-1/2	1	0		P
B332	4	FB1/2X4	1	10-5/8		STIFF/P
B336	4	FB1X8	1	0		
C336	8	PL3/4X4-3/4	1	0		
336B1 R	ONE	BEAM				
336B1	1	W24X55 A572	43	6-11/16		P
A307	6	FB1/2X4	1	0		P
A336	4	PL3/4X8-1/2	1	0		P
B332	4	FB1/2X4	1	10-5/8		STIFF/P
B336	4	FB1X8	1	0		
C336	8	PL3/4X4-3/4	1	0		
		FIELD BOLTS				
F1644H	33	A490 1X2-3/4				
F161W	33	A LOAD IND 1				



ONE-BEAM 336B1 R [AS SHOWN]  
 ONE-BEAM 336B1 L [OPP HAND]  
 32-A490 1 X 2 3/4 F1644H

SHOP NOTE:  
 ALL STEEL GETS PRIMER ONLY

**AS BUILT**  
 DATE: AUG 16 1999



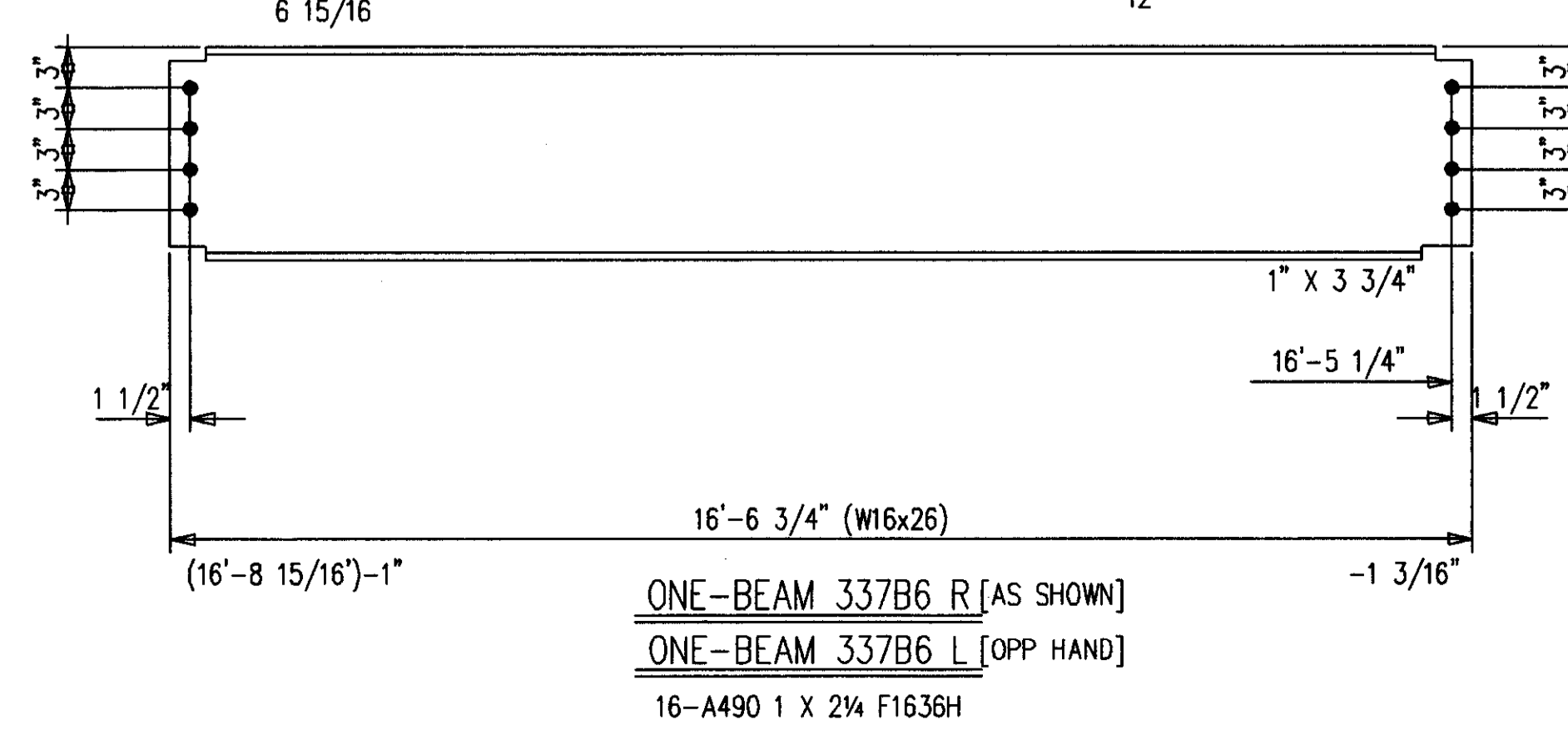
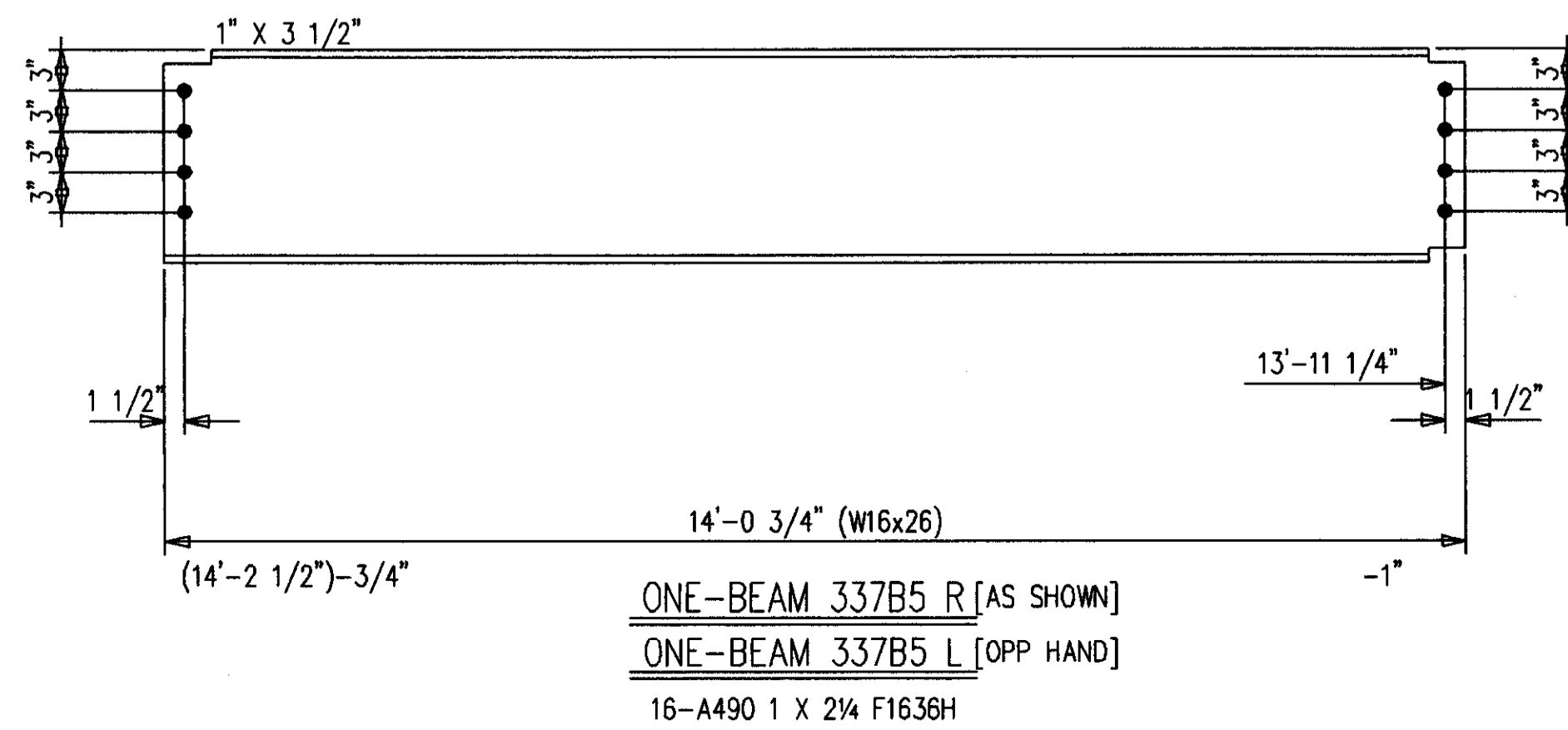
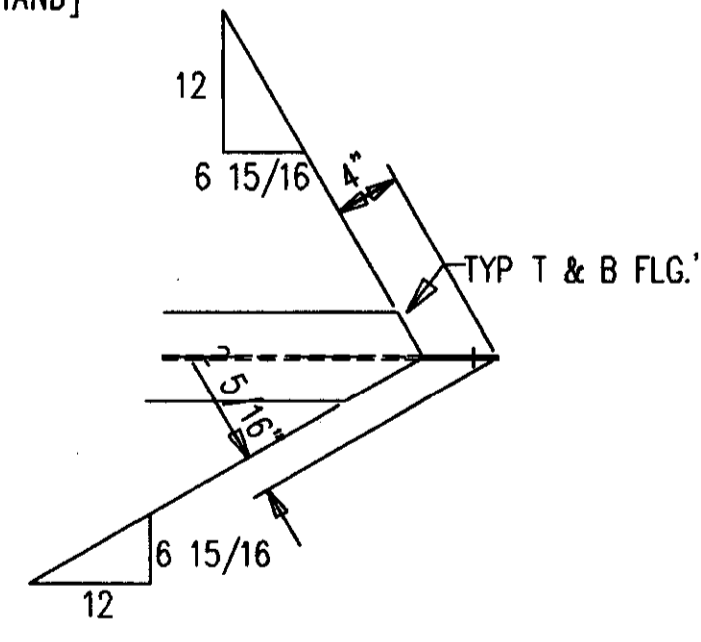
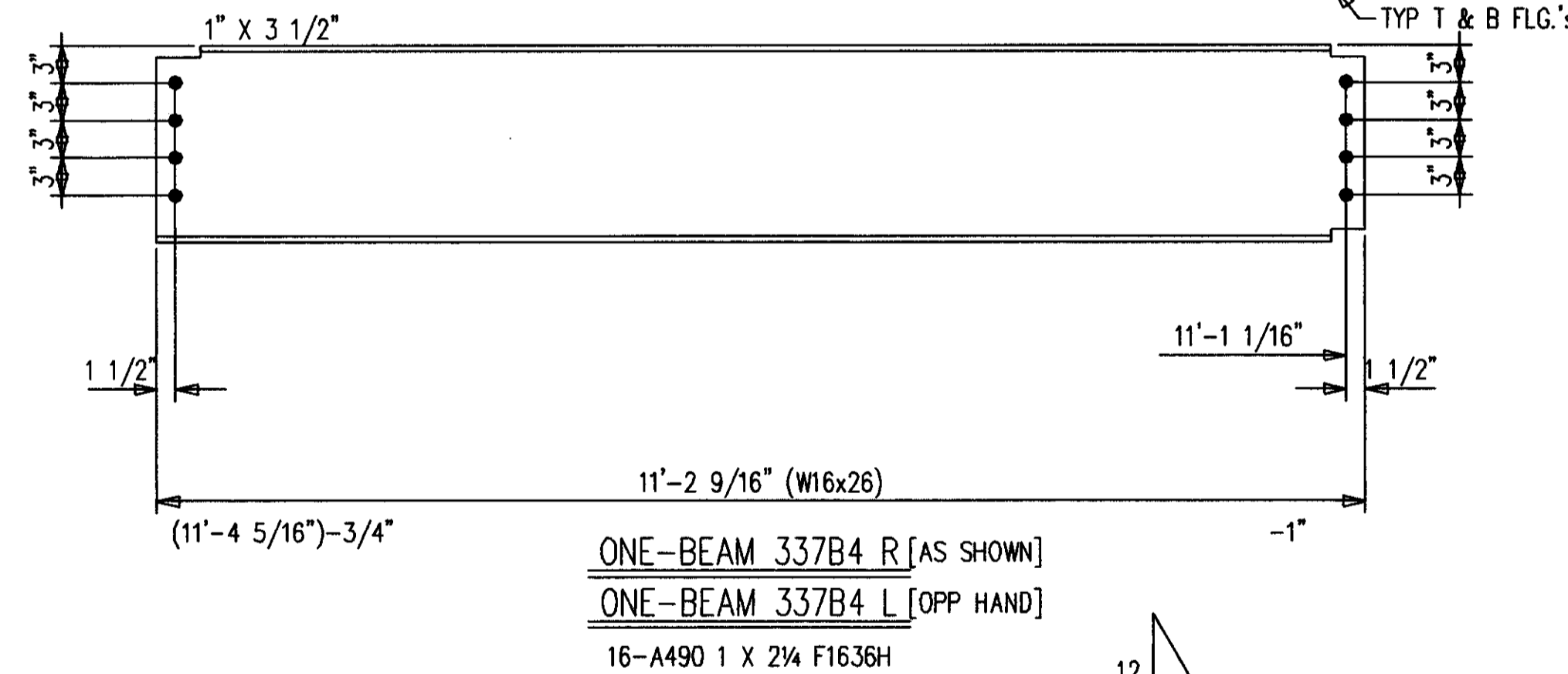
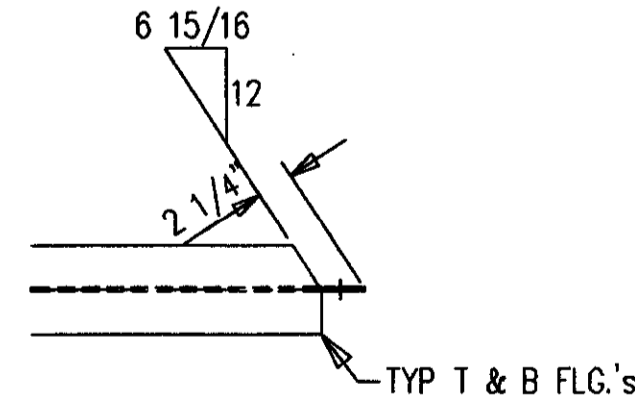
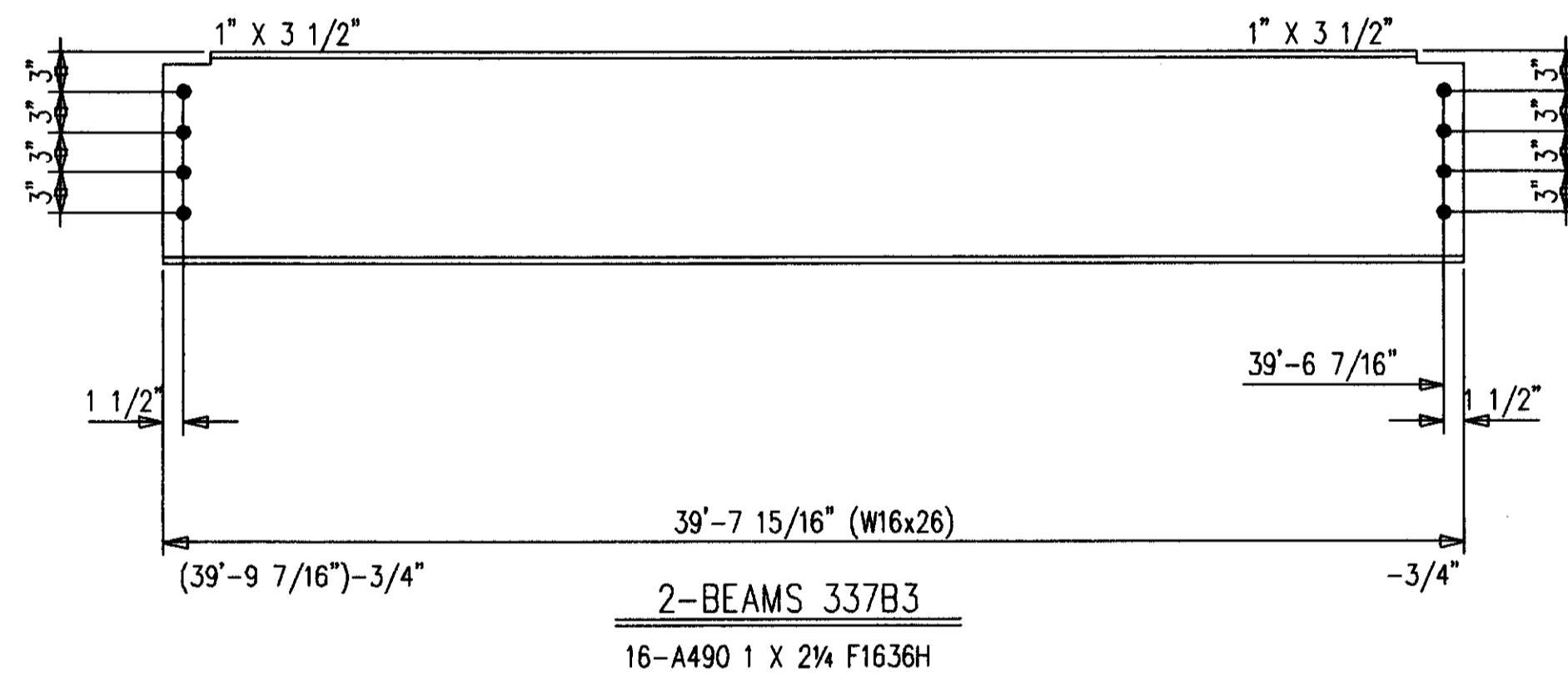
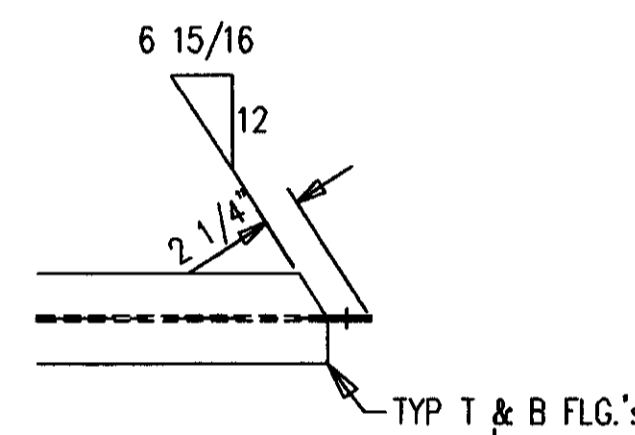
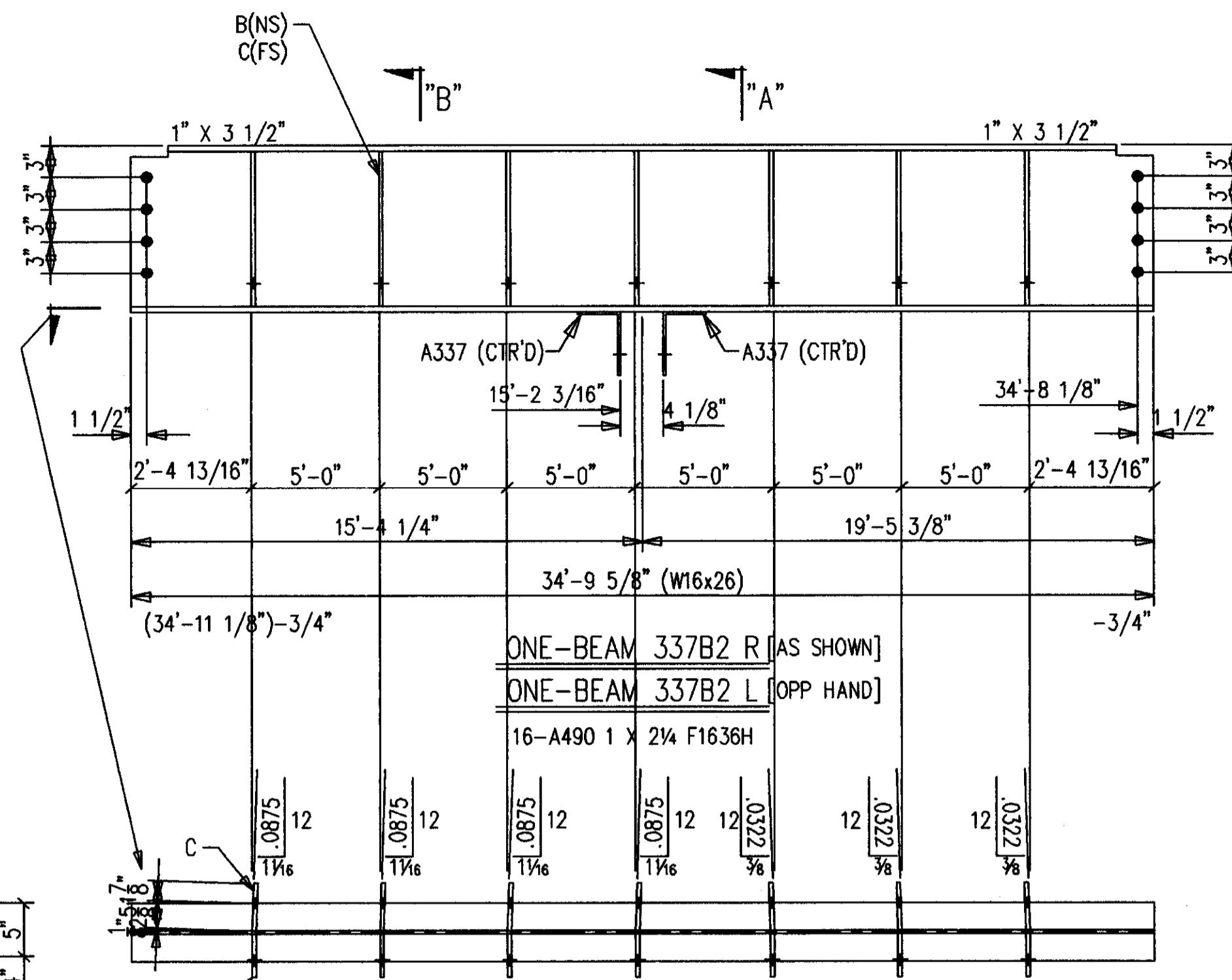
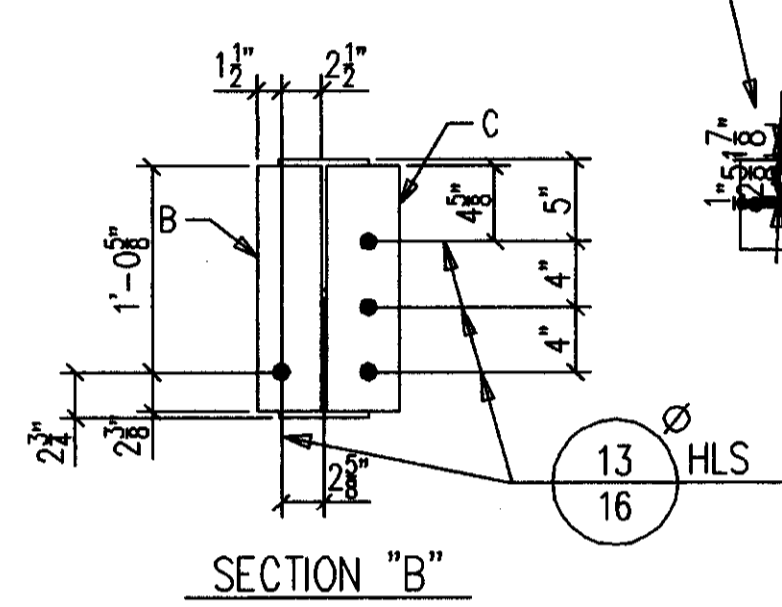
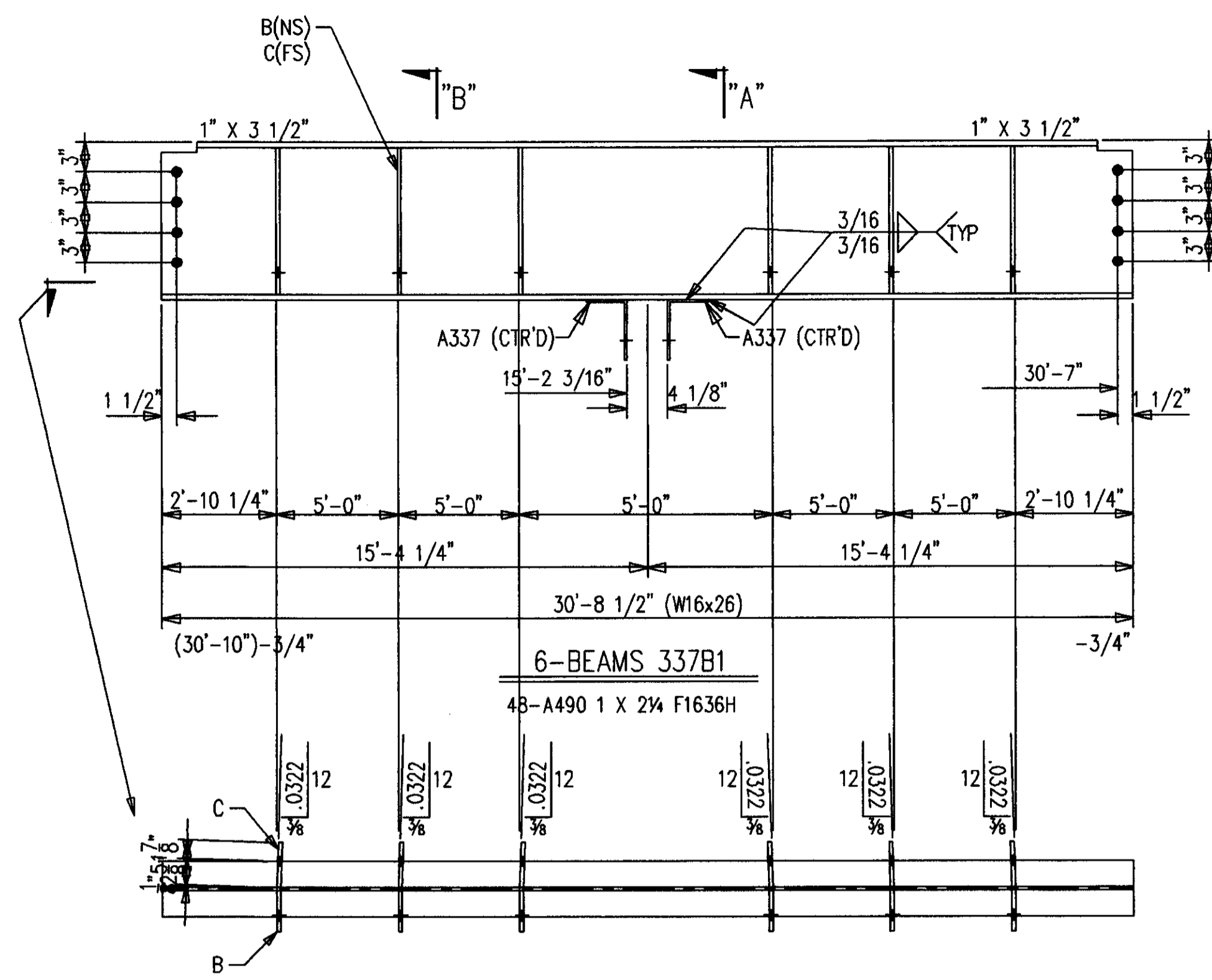
ALL RE-ENTRANT CUTS MIN. 1/2" RAD. U/W	WELD ELECTRODE E70XX	DATE	10/98
ALL A325 BOLTS w/ONE HARD WASH. AND HWY HEX NUT	SHOP PAINT SEE SPECS	DATE	10/98
ALL A307 BOLTS w/HEX NUT	DRAWING TITLE BEAMS		
DATE	APP	SHOP	FIELD

**MID STATES STEEL PRODUCTS CO.**  
 FABRICATORS OF STRUCTURAL AND MISCELLANEOUS STEEL

P.O. BOX 11128-2044 BUCK LANE  
 LEXINGTON, KENTUCKY 40511  
 PHONE: 606-233-4344 FAX: 606-233-4346

ORDER NO.  
**P3524**  
 SHEET NO.  
**336**

Document #  
 34717  
 Cab #  
 206  
 Slot  
 B-1



**AS BUILT**  
 NAME: *Walter Moore*  
 DATE: **AUG 16 1999**

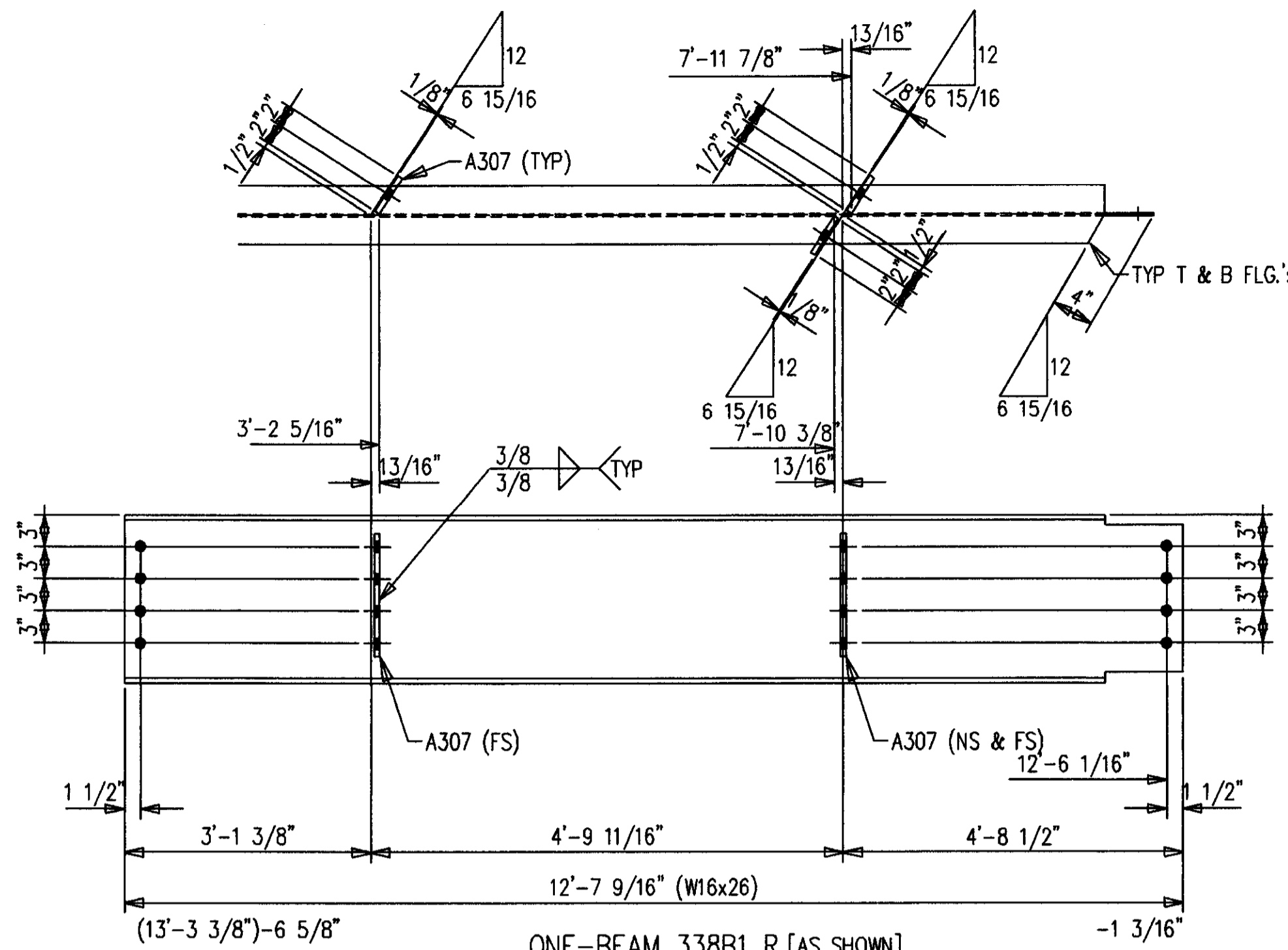
**SHOP NOTE:**  
 ALL STEEL GETS PRIMER ONLY

SHIP MARK SUB MARK	NO. PCS.	DESCRIPTION	LENGTH		CL US T	REMARKS
			FT.	IN.		
337B1	6	BEAMS				
337B1	6	W16X26 A572	30	8-1/2		P
A337	12	L6X4X5/16	0	8		P
B337	36	FB3/8X4	1	3		P
C337	36	FB3/8X4-1/2	1	3		P
337B2 L	ONE	BEAM				
337B2	1	W16X26 A572	34	9-5/8		P
A337	2	L6X4X5/16	0	8		P
B337	7	FB3/8X4	1	3		P
C337	7	FB3/8X4-1/2	1	3		P
337B2 R	ONE	BEAM				
337B2	1	W16X26 A572	34	9-5/8		P
A337	2	L6X4X5/16	0	8		P
B337	7	FB3/8X4	1	3		P
C337	7	FB3/8X4-1/2	1	3		P
337B3	2	BEAMS				
337B3	2	W16X26 A572	39	7-15/16		P
337B4 L	ONE	BEAM				
337B4	1	W16X26 A572	11	2-9/16		P
337B4 R	ONE	BEAM				
337B4	1	W16X26 A572	11	2-9/16		P
337B5 L	ONE	BEAM				
337B5	1	W16X26 A572	14	0-3/4		P
337B5 R	ONE	BEAM				
337B5	1	W16X26 A572	14	0-3/4		P
337B6 L	ONE	BEAM				
337B6	1	W16X26 A572	16	6-3/4		P
337B6 R	ONE	BEAM				
337B6	1	W16X26 A572	16	6-3/4		P
		FIELD BOLTS				
F1636H	130	A490 1X2-1/4				
F16LIW	130	A LOAD IND 1				

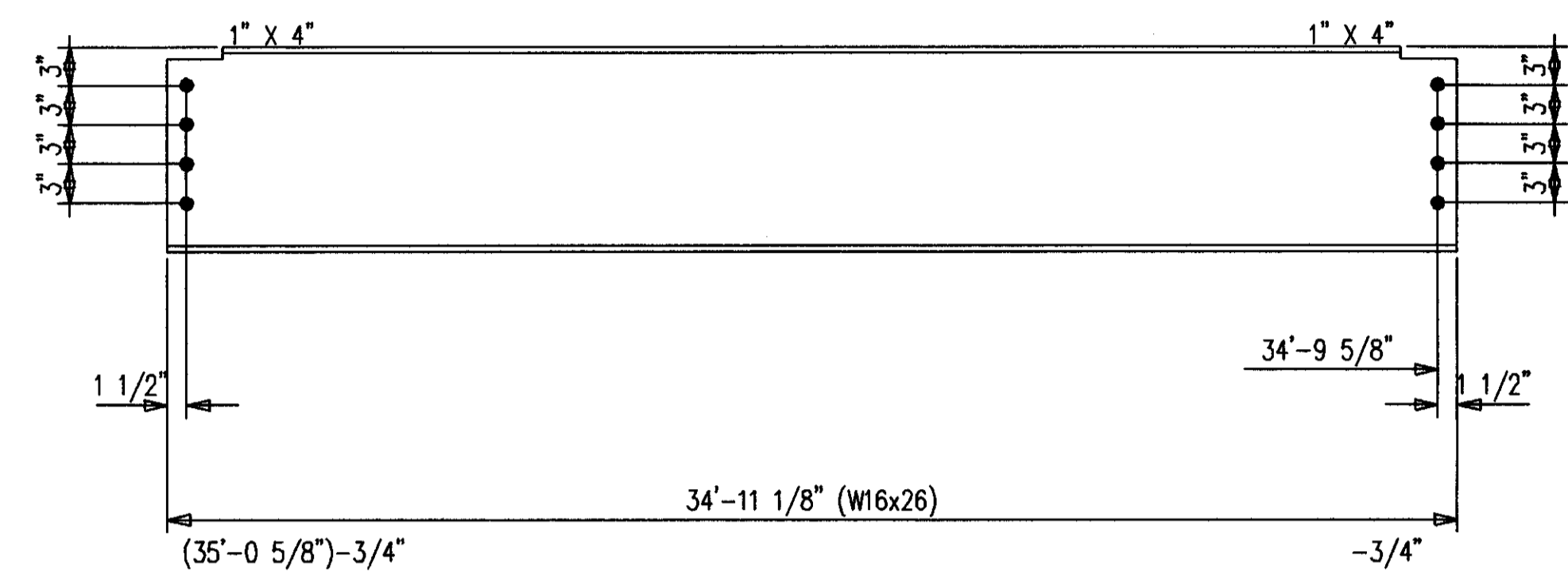
ALL RE-ENTRANT CUTS MIN. 1/2" RAD. U/N	WELD ELECTRODE U/N E70XX	DATE	10/98
ALL A325 BOLTS w/ONE HARD WASH. AND HVY HEX NUT	SHOP PAINT SEE SPECS	DATE	10/98
ALL A307 BOLTS w/HEX NUT	DRAWING TITLE	BEAMS	
DATE	APP	SHOP	FIELD

MID STATES STEEL PRODUCTS CO.  
 P.O. BOX 1112B-2044 BUCK LANE  
 LEXINGTON, KENTUCKY 40511  
 PHONE: 606-233-4344 FAX: 606-233-4346

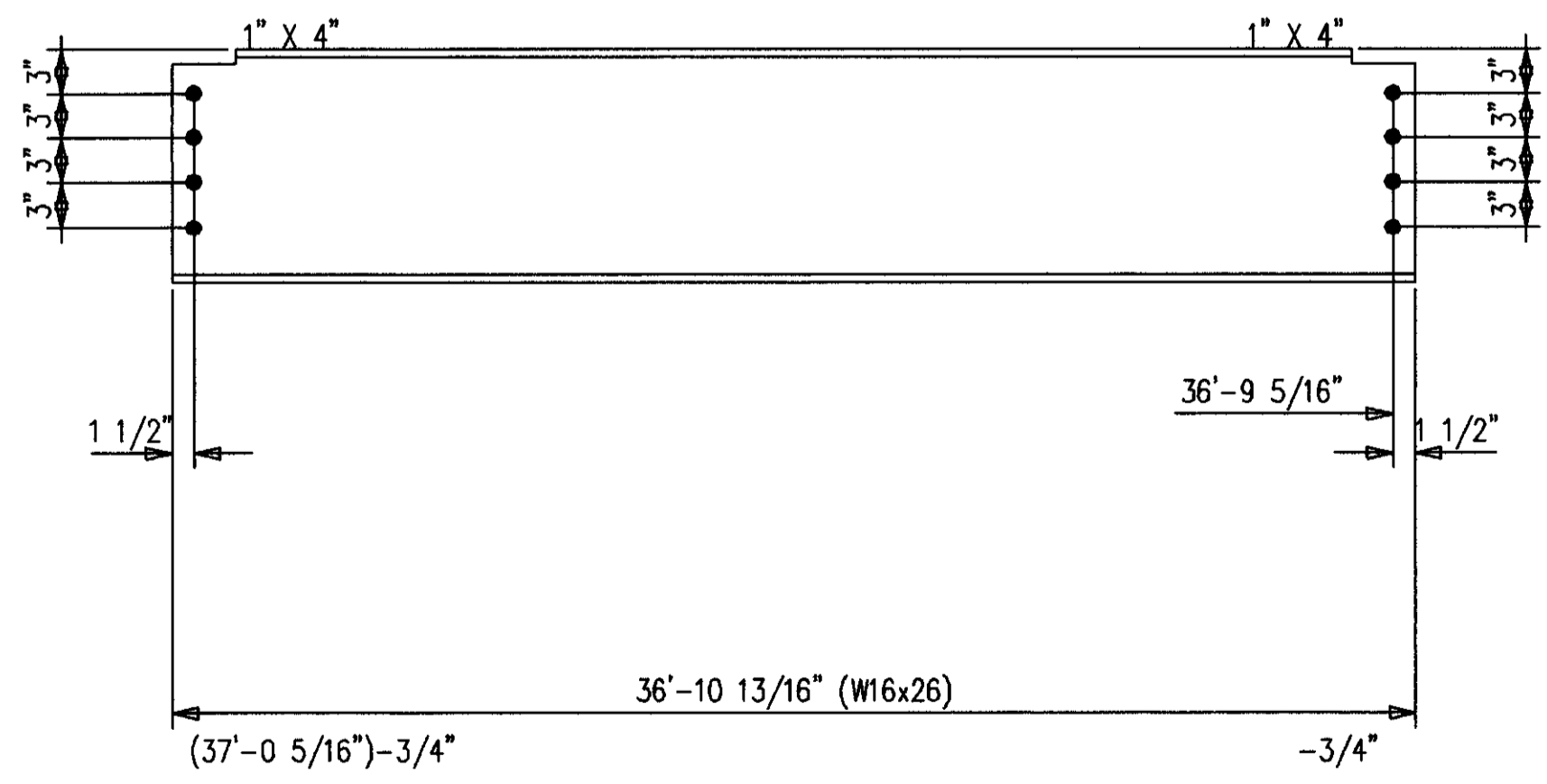
ORDER NO. **P3524**  
 SHEET NO. **337**



ONE-BEAM 338B1 R [AS SHOWN]  
 ONE-BEAM 338B1 L [OPP HAND]  
 16-A490 1 X 2 1/4 F1636H



2-BEAM 338B2  
 16-A490 1 X 2 1/4 F1636H



2-BEAMS 338B3  
 16-A490 1 X 2 1/4 F1636H

BILL OF MATERIAL

SHIP MARK SUB MARK	NO. PCS.	DESCRIPTION	LENGTH		REMARKS
			FT.	IN.	
338B1 L	ONE	BEAM			
338B1	1	W16X26 A572	12	7-9/16	P
A307	3	FB1/2X4	1	0	P
338B1 R	ONE	BEAM			
338B1	1	W16X26 A572	12	7-9/16	P
A307	3	FB1/2X4	1	0	P
338B2	2	BEAMS			
338B2	2	W16X26 A572	34	11-1/8	P
338B3	2	BEAMS			
338B3	2	W16X26 A572	36	10-13/16	P
		FIELD BOLTS			
F1636H	49	A490 1X2-1/4			
F16LIW	49	A LOAD IND 1			

SHOP NOTE:  
 ALL STEEL GETS PRIMER ONLY

AS BUILT  
 Map Hughes  
 AUG 16 1999

DATE	APP	SHOP	FIELD

CONTRACTOR TO CHECK ALL DIMENSIONS AT JOB AS MID STATES STEEL PRODUCTS CO. ASSUMES NO RESPONSIBILITY FOR GENERAL BUILDING DIMENSIONS. NO BACK CHARGES PERTAINING TO THIS WORK WILL BE ACCEPTED WITHOUT PRIOR AUTHORIZATION BY MID STATES STEEL PRODUCTS CO.

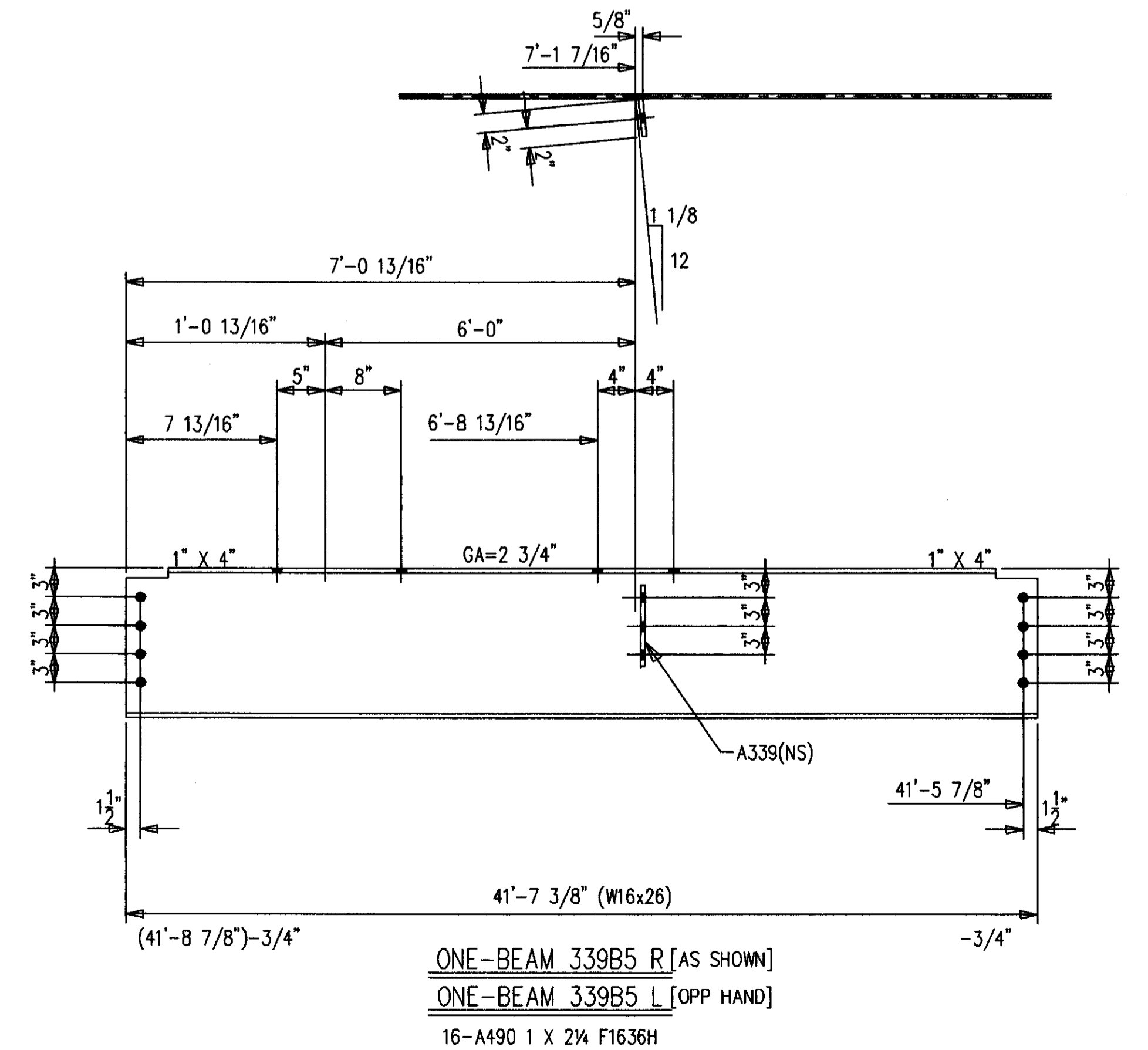
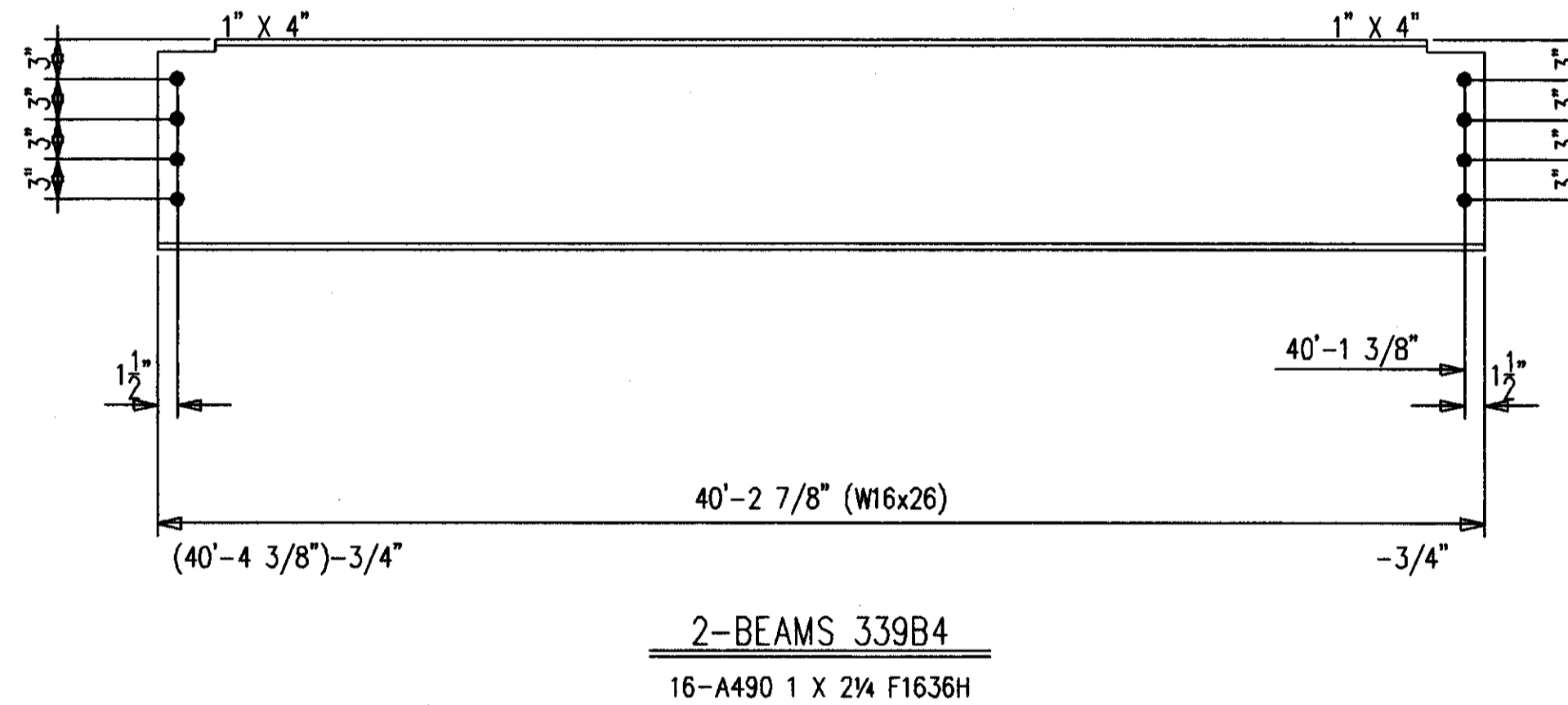
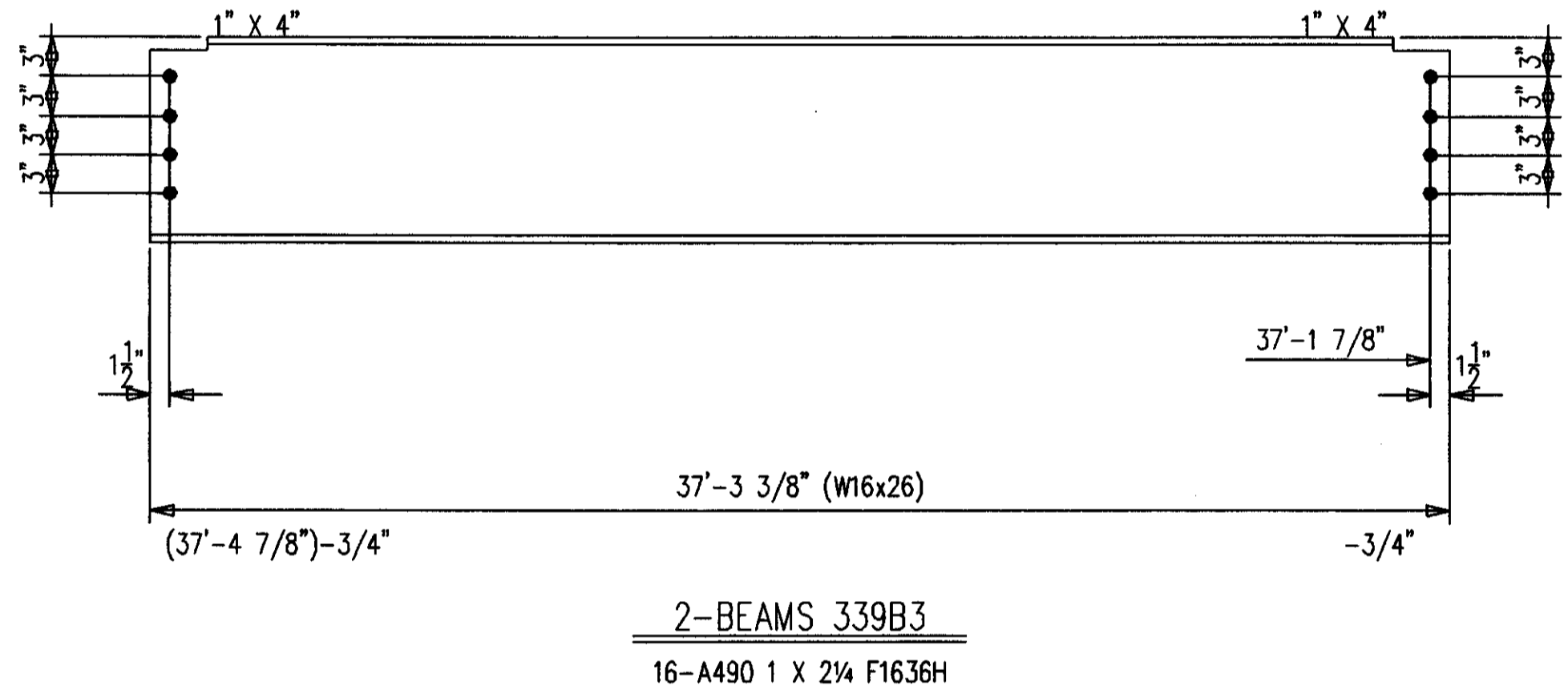
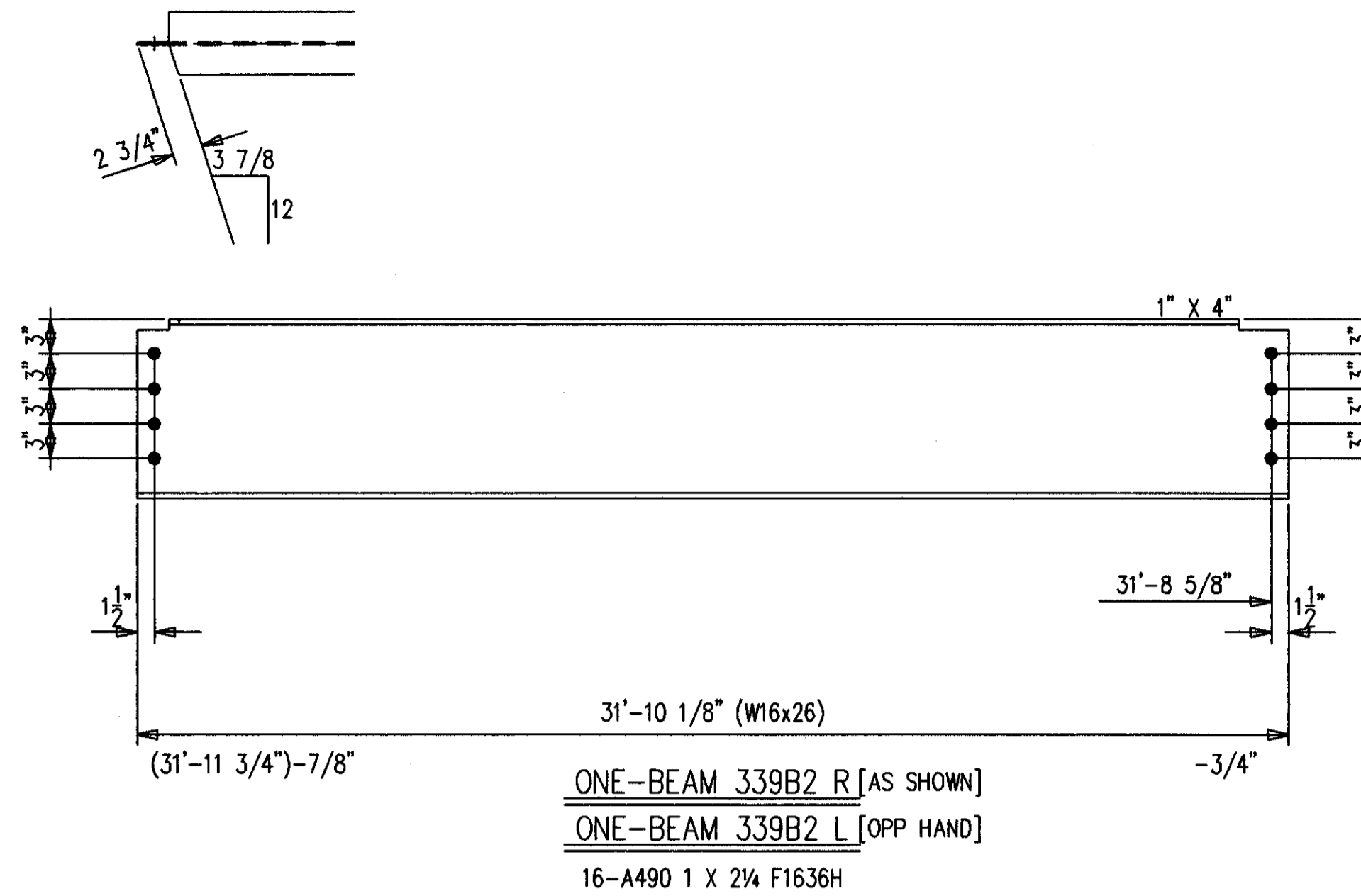
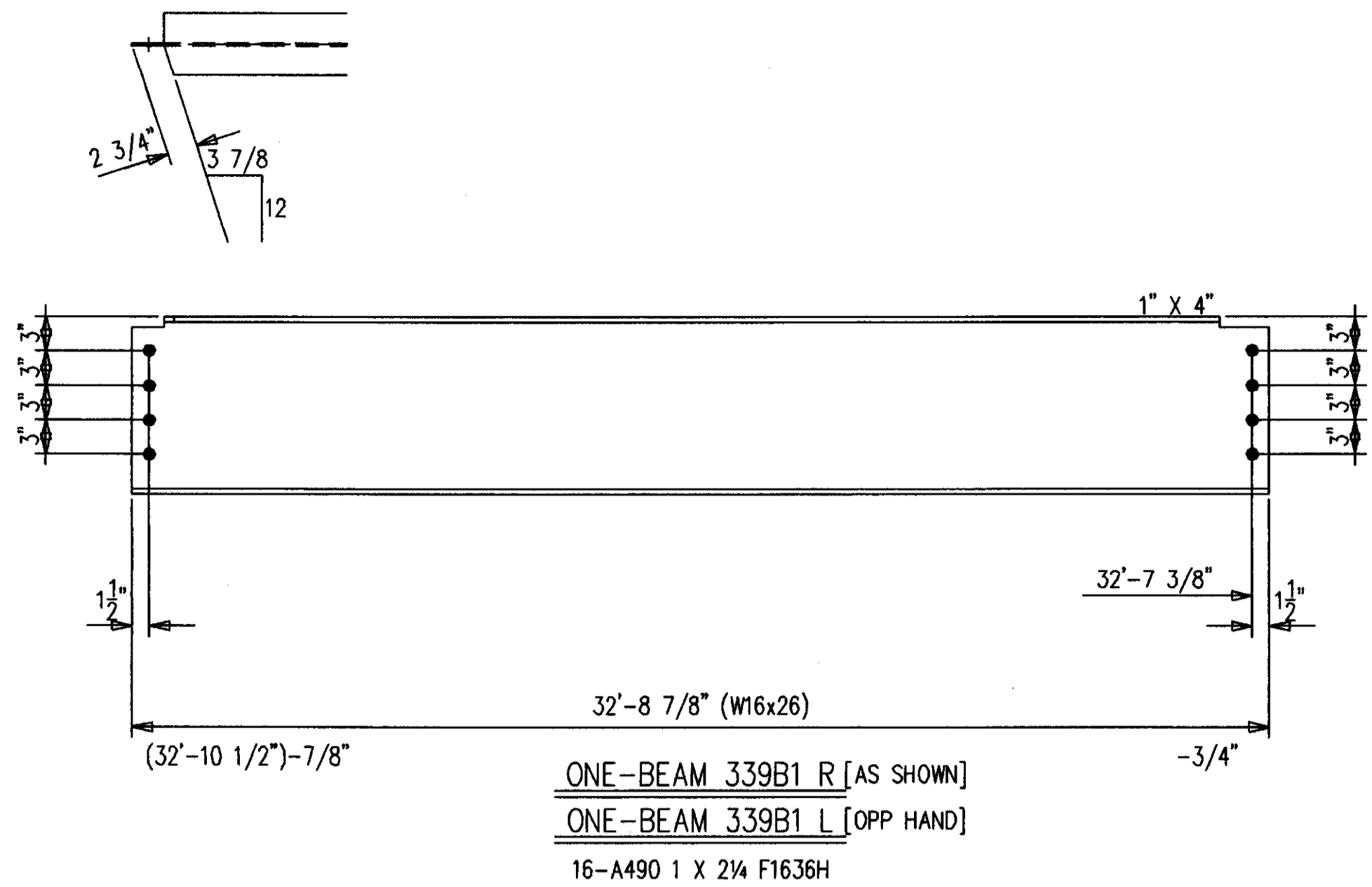
MATERIAL U/N	A36	DRAWN BY	DFD	JOB NAME	COMMONWEALTH STADIUM EXPANSION
OPEN HOLES U/N	1 1/16" Ø	DATE	10/98	JOB LOCATION	UNIVERSITY OF KENTUCKY
WELD ELECTRODE U/N	E70XX	CHECKED BY	GCL	CONTRACTOR	TURNER CONSTRUCTION COMPANY
SHOP PAINT	SEE SPECS	DATE	10/98	ENGINEER	WALTER P. MOORE

DRAWING TITLE: BEAMS

MID STATES STEEL PRODUCTS CO.  
 FABRICATORS OF STRUCTURAL AND MISCELLANEOUS STEEL

P.O. BOX 11128-2044 BUCK LANE  
 LEXINGTON, KENTUCKY 40511  
 PHONE: 606-233-4344 FAX: 606-233-4346

ORDER NO. P3524  
 SHEET NO. 338



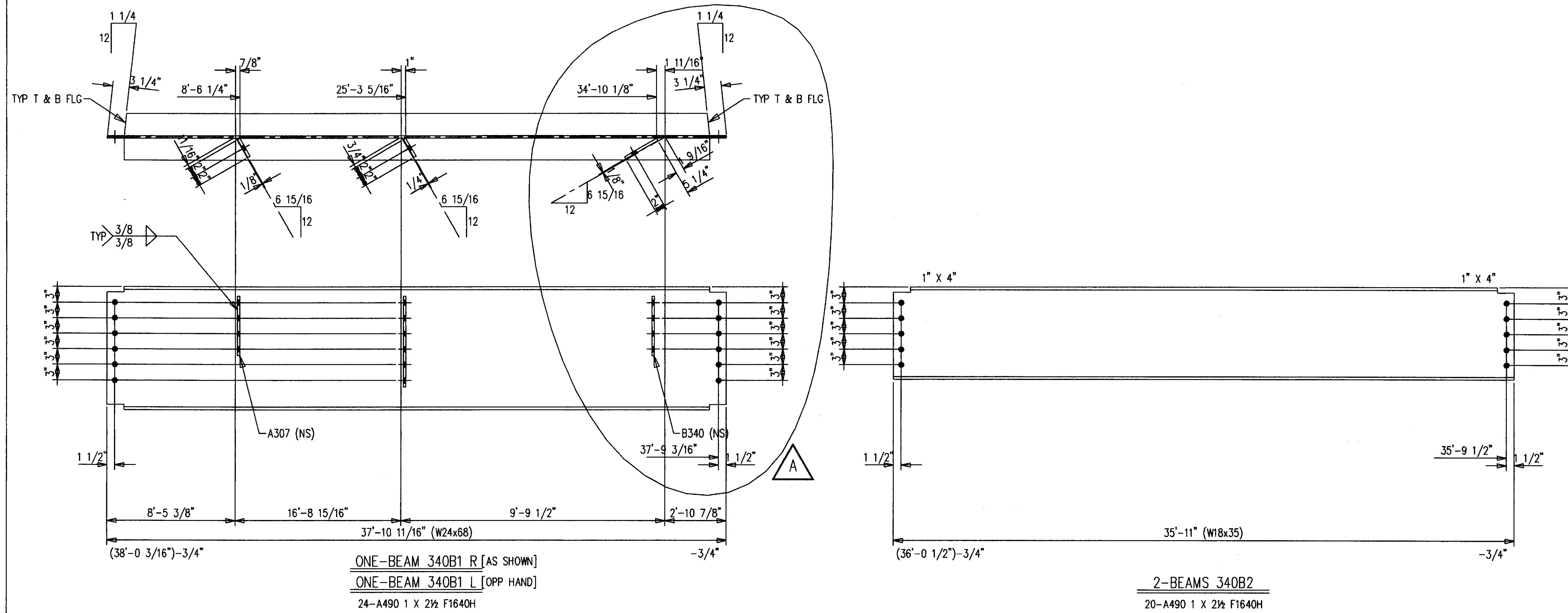
BILL OF MATERIAL

SHIP MARK SUB MARK	NO. PCS.	DESCRIPTION	LENGTH		C U S T I	REMARKS
			FT.	IN.		
339B1 L	ONE	BEAM				
339B1	1	W16X26 A572	32	8-7/8		P
339B1 R	ONE	BEAM				
339B1	1	W16X26 A572	32	8-7/8		P
339B2 L	ONE	BEAM				
339B2	1	W16X26 A572	31	10-1/8		P
339B2 R	ONE	BEAM				
339B2	1	W16X26 A572	31	10-1/8		P
339B3	2	BEAMS				
339B3	2	W16X26 A572	37	3-3/8		P
339B4	2	BEAMS				
339B4	2	W16X26 A572	40	2-7/8		P
*339B5 L	ONE	BEAM				
339B5	1	W16X26 A572	41	7-3/8		P
*A339	1	FB1/2X4	0	9		P
*339B5 R	ONE	BEAM				
339B5	1	W16X26 A572	41	7-3/8		P
*A339	1	FB1/2X4	0	9		P
		FIELD BOLTS				
F1636H	81	A490 1X2-1/4				
F16LW	81	A LOAD IND 1				

SHOP NOTE:  
ALL STEEL GETS PRIMER ONLY

AS BUILT  
NAME: *Max Hughes*  
DATE: AUG 16 1999

NO.	DATE	REVISION DESCRIPTION	DWN.	CHKD.
1	2-18-99	ADDED HOLES TO BEAM B5		
CONTRACTOR TO CHECK ALL DIMENSIONS AT JOB AS MID STATES STEEL PRODUCTS CO. ASSUMES NO RESPONSIBILITY FOR GENERAL BUILDING DIMENSIONS. NO BACK CHARGES PERTAINING TO THIS WORK WILL BE ACCEPTED WITHOUT PRIOR AUTHORIZATION BY MID STATES STEEL PRODUCTS CO.				
MATERIAL U/N	A36	DRAWN BY	JOB NAME	
OPEN HOLES U/N	1 1/16" Ø	DATE	JOB LOCATION	
		DATE	CONTRACTOR	
		DATE	ENGINEER	
ALL RE-ENTRANT CUTS MIN. 1/2" RAD. U/N	WELD ELECTRODE U/N E70XX	CHECKED BY	UNIVERSITY OF KENTUCKY	
ALL A325 BOLTS w/ONE HARD WASH. AND HVY HEX NUT	SHOP PAINT SEE SPECS	DATE	TURNER CONSTRUCTION COMPANY	
ALL A307 BOLTS w/HEX NUT	DRAWING TITLE	DATE	WALTER P. MOORE	
DATE	APP	SHOP	FIELD	
MID STATES STEEL PRODUCTS CO.			ORDER NO.	
P.O. BOX 11128-2044 BUCK LANE LEXINGTON, KENTUCKY 40511 PHONE: 606-233-4344 FAX: 606-233-4346			P3524	
FABRICATORS OF STRUCTURAL AND MISCELLANEOUS STEEL			SHEET NO. 339	



**BILL OF MATERIAL**

SHIP MARK SUB MARK	NO. PCS.	DESCRIPTION	LENGTH		CUTS U/S	REMARKS
			FT.	IN.		
340B1 L	ONE	BEAM				
340B1	1	W24X68 A572	37	10-11/16		P
A307	1	FB1/2X4	1	0		P
A340	1	FB1/2X4	1	6		P
B340	1	PL1/2X7-1/4	1	0		P
340B1 R	ONE	BEAM				
340B1	1	W24X68 A572	37	10-11/16		P
A307	1	FB1/2X4	1	0		P
A340	1	FB1/2X4	1	6		P
B340	1	PL1/2X7-1/4	1	0		P
340B2	2	BEAMS				
340B2	2	W18X35 A572	35	11		P
340B3 L	ONE	BEAM				
340B3	1	W18X35 A572	37	10-11/16		P
A308	1	FB1/2X4	1	3		P
340B3 R	ONE	BEAM				
340B3	1	W18X35 A572	37	10-11/16		P
A308	1	FB1/2X4	1	3		P
		FIELD BOLTS				
F1640H	65	A490 1X2-1/2				
F16L1W	65	A LOAD IND 1				

SHOP NOTE:  
ALL STEEL GETS PRIMER ONLY

**AS BUILT**  
NAME: *Max Hughes*  
DATE: **AUG 16 1999**

A	01/18/99	340B1 (BOLT HOLE CLEARANCE ON A307)	DFD	KMP
NO.	DATE	REVISION DESCRIPTION	BY	CHKD
CONTRACTOR TO CHECK ALL DIMENSIONS AT JOB AS MID STATES STEEL PRODUCTS CO. ASSUMES NO RESPONSIBILITY FOR GENERAL BUILDING DIMENSIONS. NO BACK CHARGES PERTAINING TO THIS WORK WILL BE ACCEPTED WITHOUT PRIOR AUTHORIZATION BY MID STATES STEEL PRODUCTS CO.				
MATERIAL U/N	A36	DRAWN BY	DFD	JOB NAME
OPEN HOLES U/N	1 1/16" Ø	DATE	10/98	COMMONWEALTH STADIUM EXPANSION
WELD ELECTRODE U/N	E70XX	CHECKED BY	GCL	JOB LOCATION
SHOP PAINT	SEE SPECS	DATE	10/98	UNIVERSITY OF KENTUCKY
DRAWING TITLE	BEAMS	ENGINEER	WALTER P. MOORE	CONTRACTOR
				TURNER CONSTRUCTION COMPANY

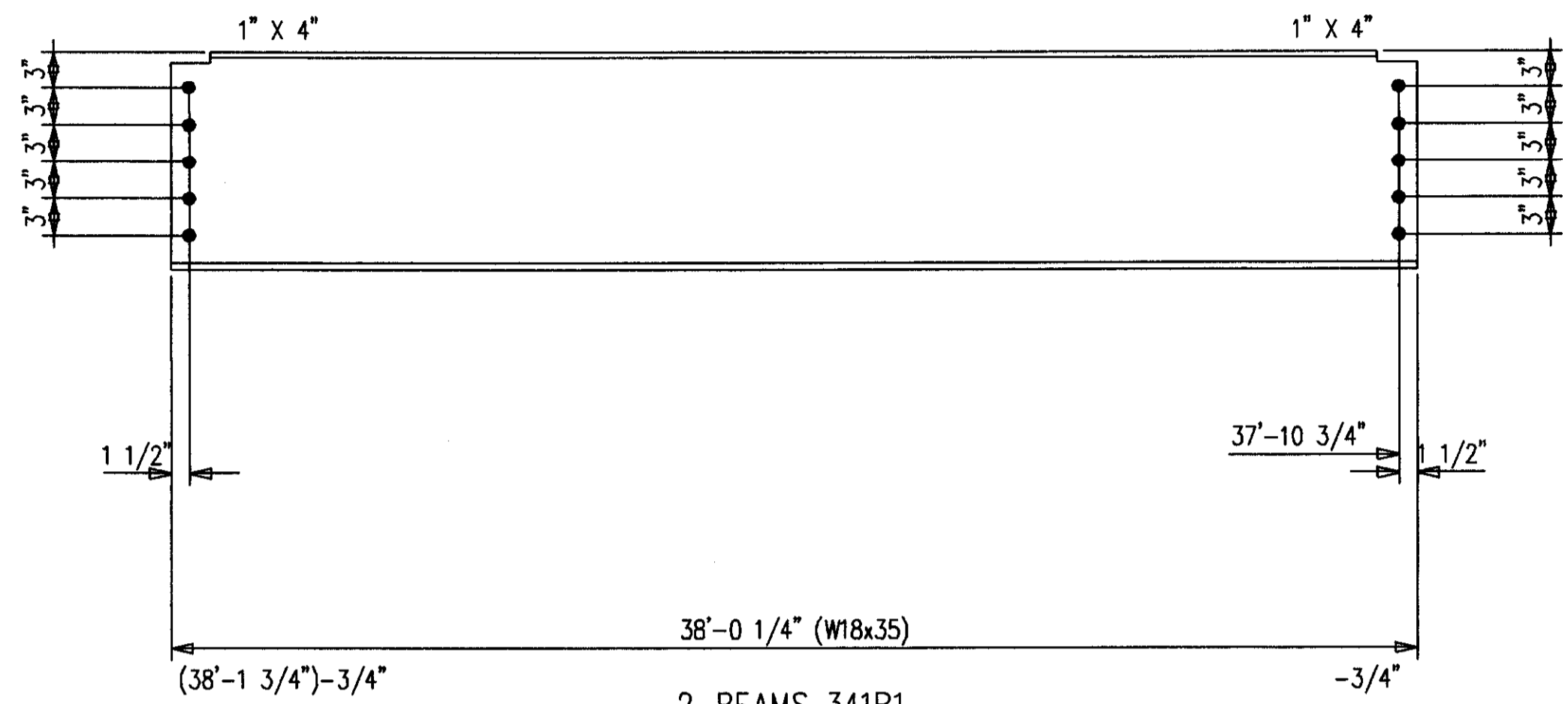
ALL RE-ENTRANT CUTS MIN. 1/2" RAD. U/N	
ALL A325 BOLTS w/ONE HARD WASH. AND Hvy HEX NUT	
ALL A307 BOLTS w/HEX NUT	
DATE	APP

P.O. BOX 11128-2044 BUCK LANE  
LEXINGTON, KENTUCKY 40511  
PHONE: 606-233-4344 FAX: 606-233-4346

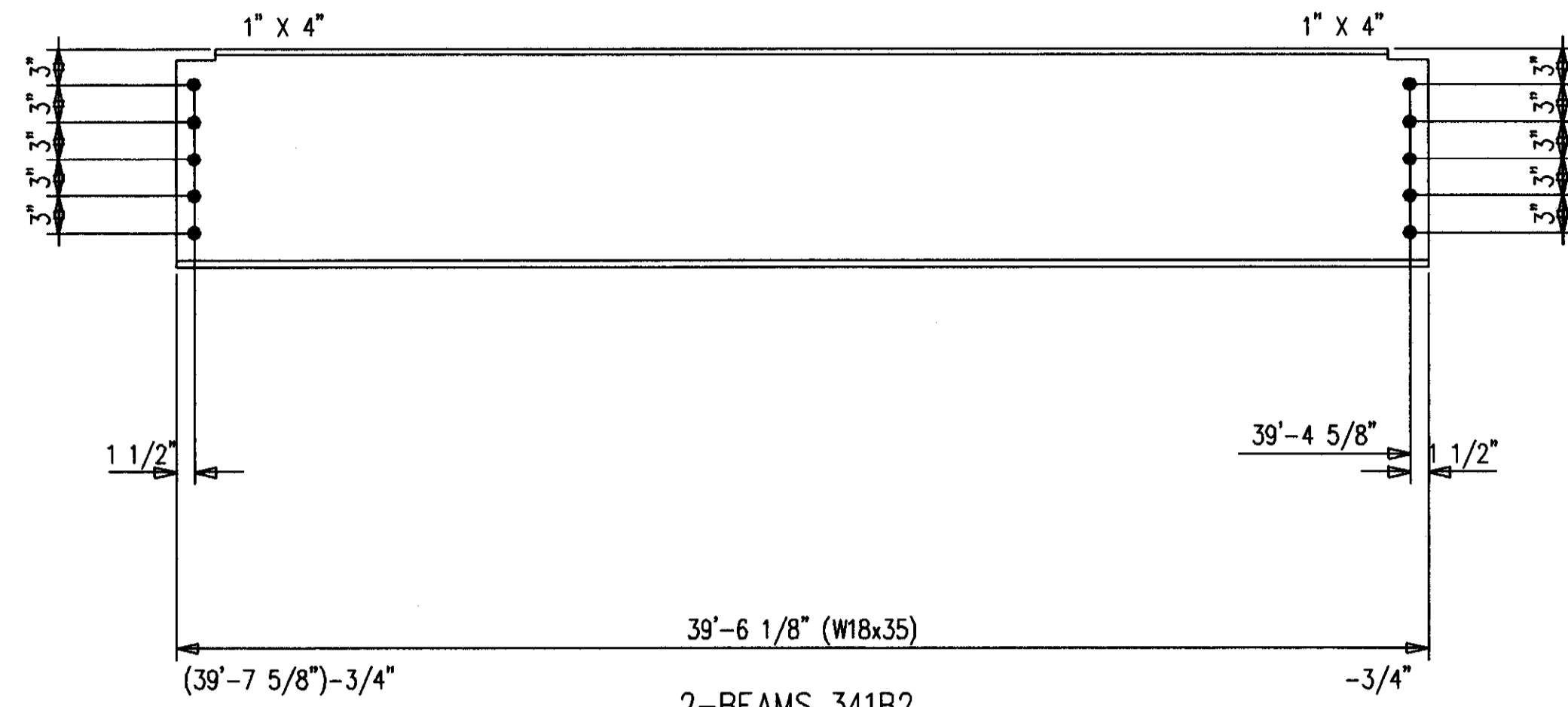
**MID STATES STEEL PRODUCTS CO.**  
FABRICATORS OF STRUCTURAL AND MISCELLANEOUS STEEL

ORDER NO. **P3524**  
SHEET NO. **340**

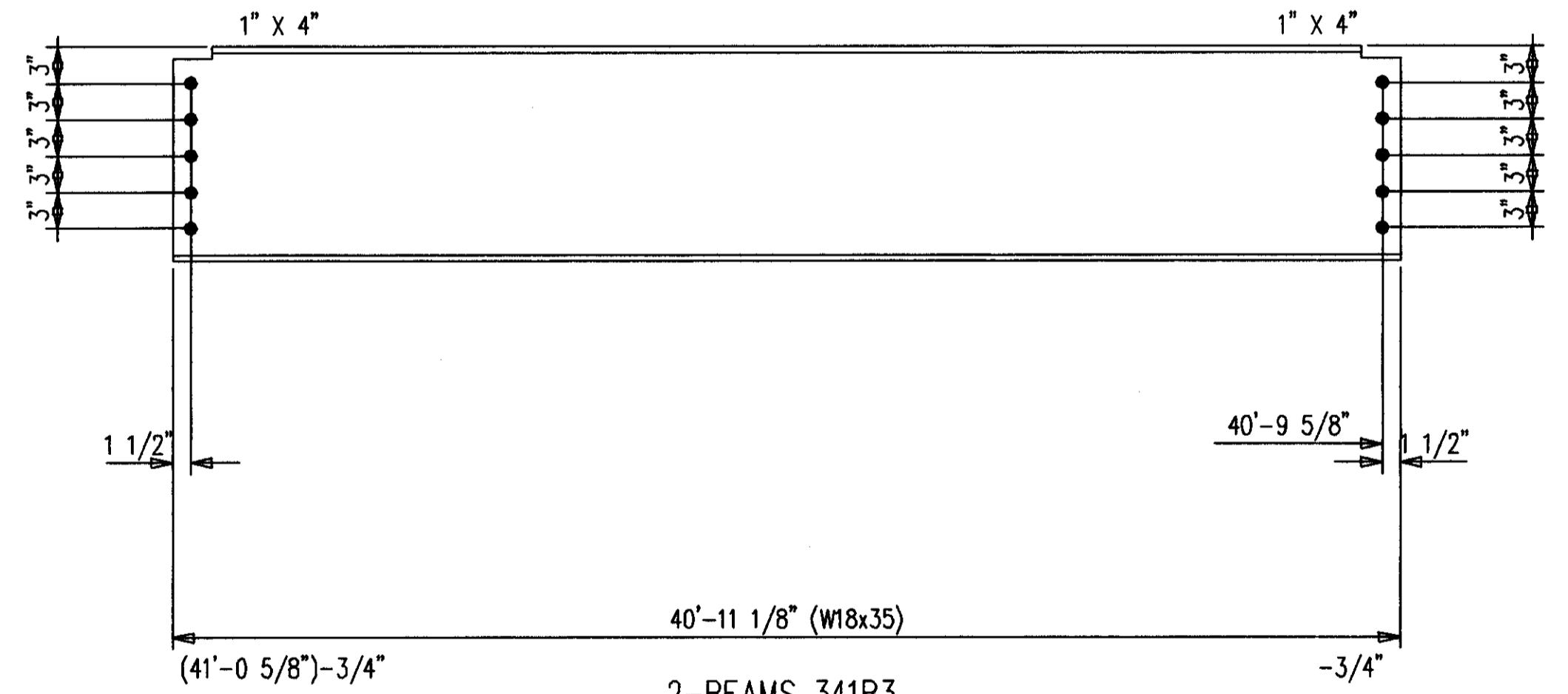




**2-BEAMS 341B1**  
20-CONC ANCH 1 X 2 1/2 F1640C



**2-BEAMS 341B2**  
20-CONC ANCH 1 X 2 1/2 F1640C



**2-BEAMS 341B3**  
20-CONC ANCH 1 X 2 1/2 F1640C

**BILL OF MATERIAL**

SHIP MARK SUB MARK	NO. PCS.	DESCRIPTION	LENGTH		CL QTY	REMARKS
			FT.	IN.		
341B1	2	BEAMS				
341B1	2	W18X35 A572	38	0-1/4		P
341B2	2	BEAMS				
341B2	2	W18X35 A572	39	6-1/8		P
341B3	2	BEAMS				
341B3	2	W18X35 A572	40	11-1/8		P
		FIELD BOLTS				
F1640H	61	A490 1X2-1/2				
F16LIW	61	A LOAD IND 1				

SHOP NOTE:  
ALL STEEL GETS PRIMER ONLY

**AS BUILT**  
NAME: *Max Hughes*  
DATE: **AUG 16 1999**

NO.	DATE	REVISION DESCRIPTION	OWN	CRD
-----	------	----------------------	-----	-----

CONTRACTOR TO CHECK ALL DIMENSIONS AT JOB AS MID STATES STEEL PRODUCTS CO. ASSUMES NO RESPONSIBILITY FOR GENERAL BUILDING DIMENSIONS. NO BACK CHARGES PERTAINING TO THIS WORK WILL BE ACCEPTED WITHOUT PRIOR AUTHORIZATION BY MID STATES STEEL PRODUCTS CO.			
WATER U/N A36	DRW BY <b>DFD</b>	JOB NAME COMMONWEALTH STADIUM EXPANSION	
OPEN HOLES U/N 1 1/16" ø	DATE 10/98	JOB LOCATION UNIVERSITY OF KENTUCKY	
WELD ELECTRODE U/N E70XX	CHECKED BY <b>GCL</b>	CONTRACTOR TURNER CONSTRUCTION COMPANY	
SHOP PAINT SEE SPECS	DATE 10/98	ENGINEER WALTER P. MOORE	
DRAWING TITLE BEAMS			

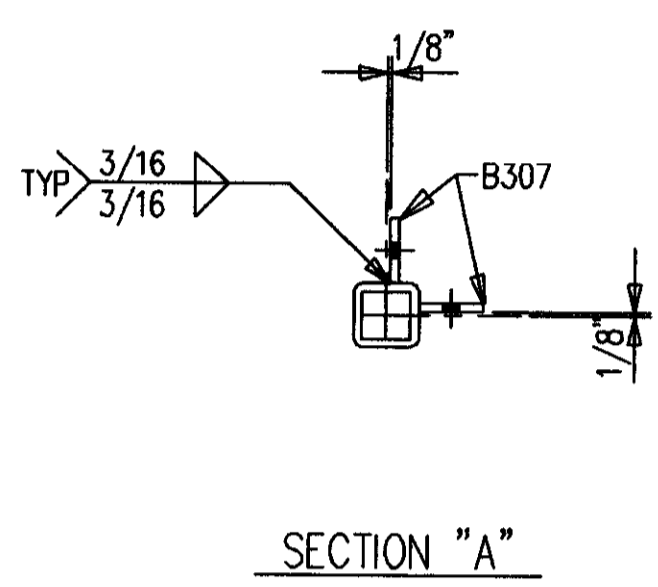
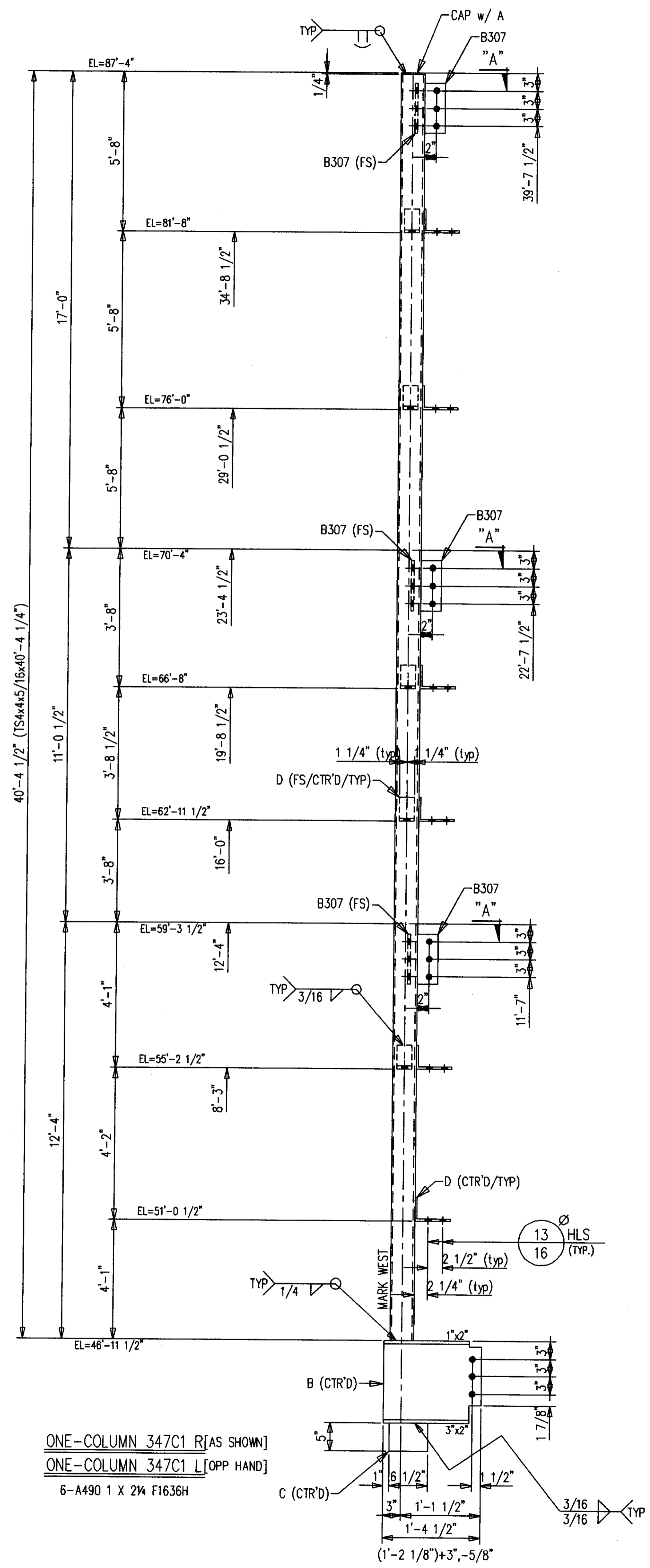
ALL RE-ENTRANT CUTS MIN. 1/2" RAD. U/N			
ALL A325 BOLTS w/ONE HARD WASH. AND HVY HEX NUT			
ALL A307 BOLTS w/HEX NUT			
DATE	APP	SHOP	FIELD

**MID STATES STEEL PRODUCTS CO.**  
FABRICATORS OF STRUCTURAL AND MISCELLANEOUS STEEL

P.O. BOX 11128-2044 BUCK LANE  
LEXINGTON, KENTUCKY 40511  
PHONE: 606-233-4344 FAX: 606-233-4346

ORDER NO.  
**P3524**

SHEET NO.  
**341**



ONE-COLUMN 347C1 R [AS SHOWN]  
 ONE-COLUMN 347C1 L [OPP HAND]  
 6-A490 1 X 2 1/4 F1636H

SHOP NOTE:  
 ALL STEEL GETS PRIMER ONLY

BILL OF MATERIAL

SHIP MARK SUB MARK	NO. PCS.	DESCRIPTION	LENGTH		CL UST	REMARKS
			FT.	IN.		
347C1 L	ONE	COVER COLUMN				
347C1	1	TS4X4X5/16	40	4-1/4		SC2E
A347	1	FB1/4X4	0	4		
B307	6	FB1/2X4	0	9		P
B347	1	W14X26 A572	1	4-1/2		P
C347	1	FB3/8X5	0	6-1/2		
D347	11	L6X4X5/16	0	2-1/2		P
347C1 R	ONE	COVER COLUMN				
347C1	1	TS4X4X5/16	40	4-1/4		SC2E
A347	1	FB1/4X4	0	4		
B307	6	FB1/2X4	0	9		P
B347	1	W14X26 A572	1	4-1/2		P
C347	1	FB3/8X5	0	6-1/2		
D347	11	L6X4X5/16	0	2-1/2		P
FIELD BOLTS						
F1636H	7	A490 1X2-1/4				
F16LIW	7	A LOAD IND 1				

**AS BUILT**  
 NAME: *Map Hughes*  
 DATE: **AUG 16 1999**

NO.	DATE	REVISION DESCRIPTION	DWN	APP

CONTRACTOR TO CHECK ALL DIMENSIONS AT JOB AS MID STATES STEEL PRODUCTS CO. ASSUMES NO RESPONSIBILITY FOR GENERAL BUILDING DIMENSIONS. NO BACK CHARGES PERTAINING TO THIS WORK WILL BE ACCEPTED WITHOUT PRIOR AUTHORIZATION BY MID STATES STEEL PRODUCTS CO.

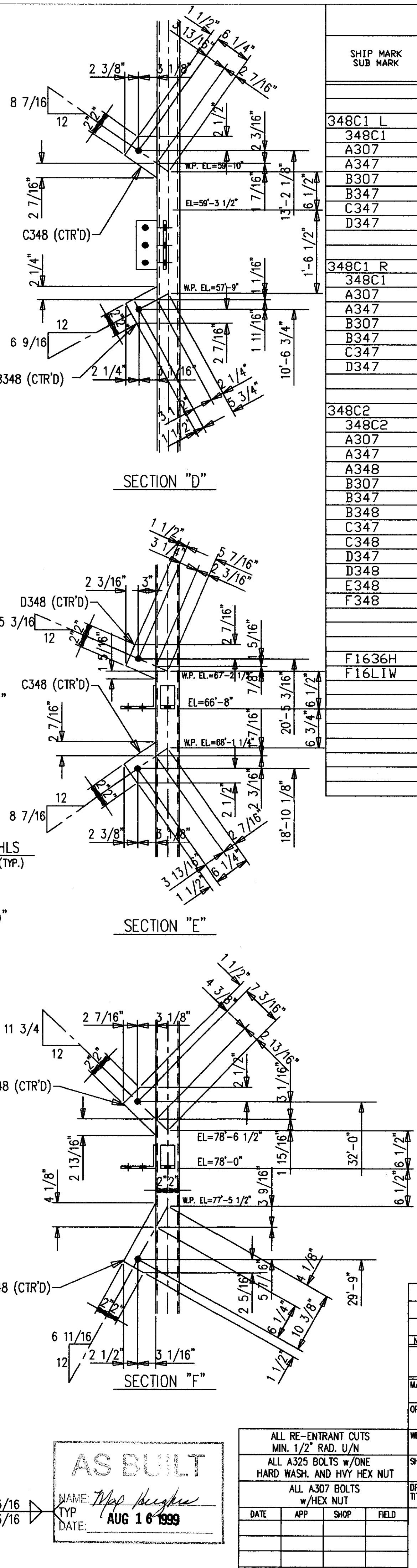
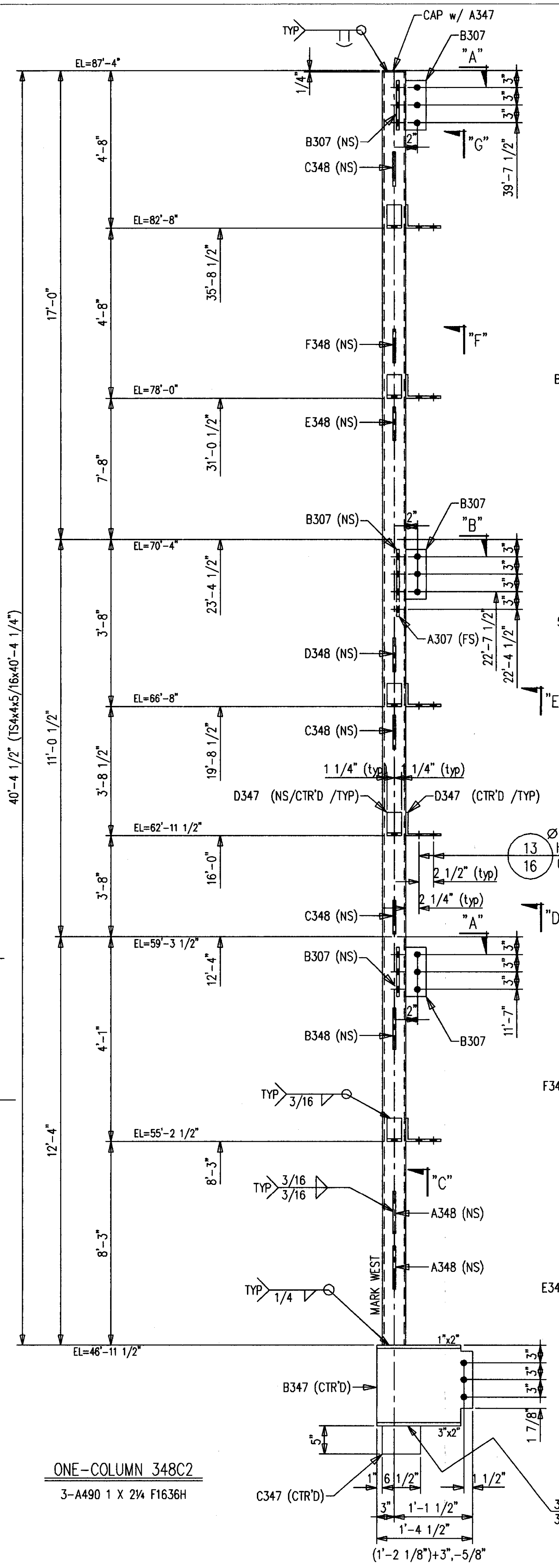
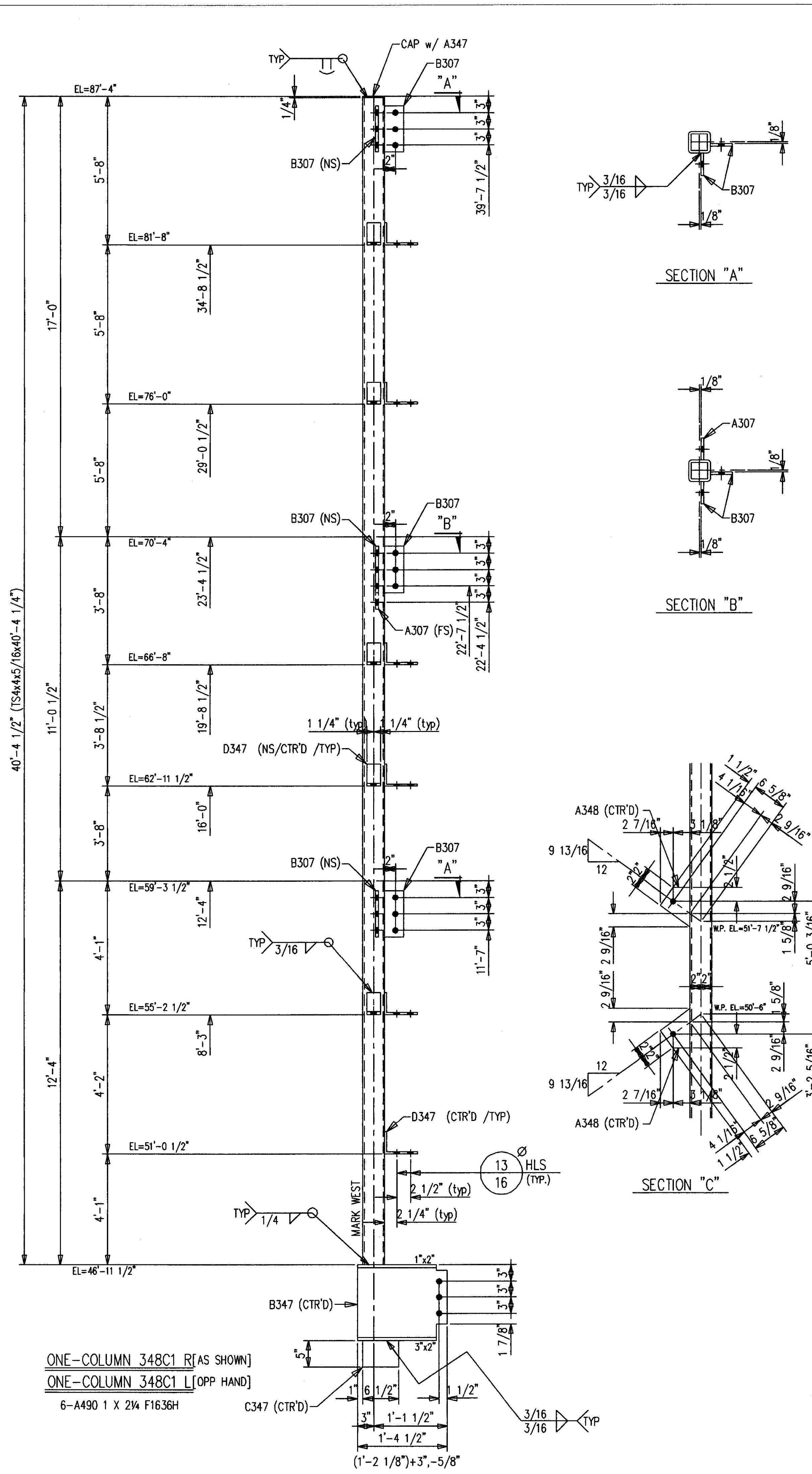
MATERIAL U/W	A36	DRAWN BY	DFD	JOB NAME	COMMONWEALTH STADIUM EXPANSION
OPEN HOLES U/W	1 1/8" Ø	DATE	11/98	JOB LOCATION	UNIVERSITY OF KENTUCKY
WELD ELECTRODE U/W	E70XX	CHECKED BY	GCL	CONTRACTOR	TURNER CONSTRUCTION COMPANY
SHOP PAINT	SEE SPECS	DATE	11/98	ENGINEER	WALTER P. MOORE

DRAWING TITLE: SCOREBOARD COLUMN COVER TUBE COLUMNS

DATE:    APP:    SHOP:    FIELD:

MID STATES STEEL PRODUCTS CO.  
 P.O. BOX 11128-2044 BUCK LANE  
 LEXINGTON, KENTUCKY 40511  
 PHONE: 606-233-4344 FAX: 606-233-4346  
 FABRICATORS OF STRUCTURAL AND MISCELLANEOUS STEEL

ORDER NO. P3524  
 SHEET NO. 347



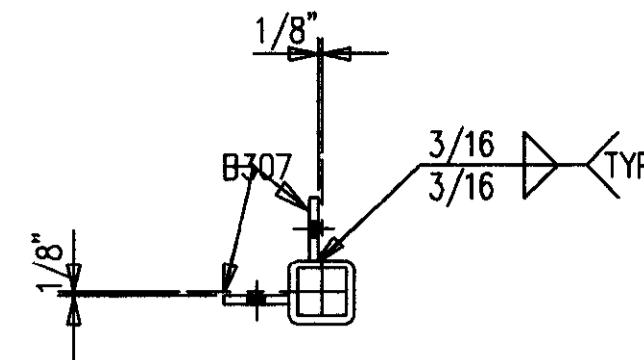
### BILL OF MATERIAL

SHIP MARK SUB MARK	NO. PCS.	DESCRIPTION	LENGTH		REMARKS
			FT.	IN.	
348C1 L	ONE	COVER COLUMN			
348C1	1	TS4X4X5/16	40	4-1/4	SC2E
A307	1	FB1/2X4	1	0	P
A347	1	FB1/4X4	0	4	
B307	6	FB1/2X4	0	9	P
B347	1	W14X26 A572	1	4-1/2	P
C347	1	FB3/8X5	0	6-1/2	
D347	11	L6X4X5/16	0	2-1/2	P
348C1 R	ONE	COVER COLUMN			
348C1	1	TS4X4X5/16	40	4-1/4	SC2E
A307	1	FB1/2X4	1	0	P
A347	1	FB1/4X4	0	4	
B307	6	FB1/2X4	0	9	P
B347	1	W14X26 A572	1	4-1/2	P
C347	1	FB3/8X5	0	6-1/2	
D347	11	L6X4X5/16	0	2-1/2	P
348C2	ONE	COVER COLUMN			
348C2	1	TS4X4X5/16	40	4-1/4	SC2E
A307	1	FB1/2X4	1	0	P
A347	1	FB1/4X4	0	4	
A348	2	PL3/8X5-9/16	0	7-5/8	P
B307	6	FB1/2X4	0	9	P
B347	1	W14X26 A572	1	4-1/2	P
B348	1	PL3/8X5-5/16	0	6-3/8	P
C347	1	FB3/8X5	0	6-1/2	
C348	3	PL3/8X5-1/2	0	7-1/8	P
D347	10	L6X4X5/16	0	2-1/2	P
D348	1	PL3/8X5-3/16	0	5-1/16	P
E348	1	PL3/8X5-9/16	0	11-7/8	P
F348	1	PL3/8X5-9/16	0	8-3/8	P
		FIELD BOLTS			
F1636H	10	A490 1X2-1/4			
F16L1W	10	A LOAD IND 1			

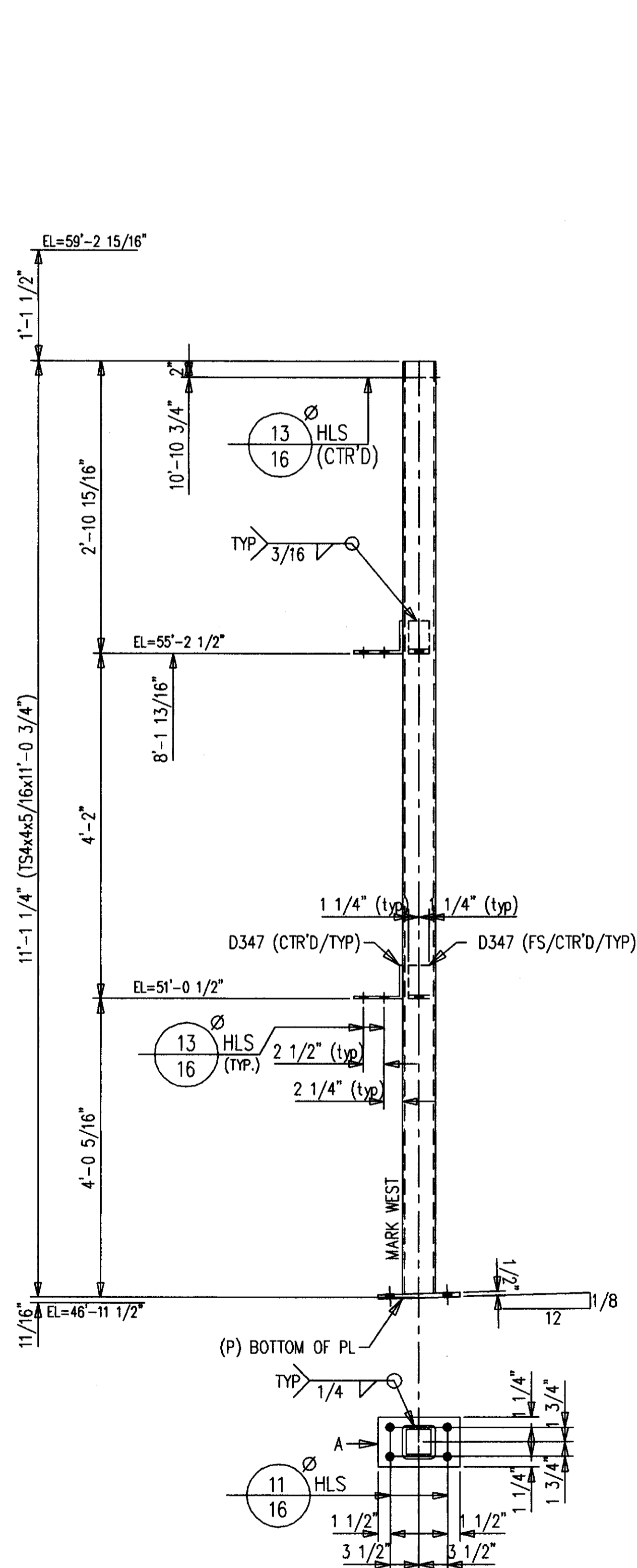
SHOP NOTE:  
ALL STEEL GETS PRIMER ONLY

NO.	DATE	REVISION DESCRIPTION	DWG.	LOG	
CONTRACTOR TO CHECK ALL DIMENSIONS AT JOB AS MID STATES STEEL PRODUCTS CO. ASSUMES NO RESPONSIBILITY FOR GENERAL BUILDING DIMENSIONS. NO BACK CHARGES PERTAINING TO THIS WORK WILL BE ACCEPTED WITHOUT PRIOR AUTHORIZATION BY MID STATES STEEL PRODUCTS CO.					
MATERIAL U/W	A36	DRAWN BY	DPD	JOB NAME	COMMONWEALTH STADIUM EXPANSION
OPEN HOLES U/W	1 1/16" Ø	DATE	11/98	JOB LOCATION	UNIVERSITY OF KENTUCKY
WELD ELECTRODE U/W	E70XX	CHECKED BY	GCL	CONTRACTOR	TURNER CONSTRUCTION COMPANY
SHOP PAINT	SEE SPECS	DATE	11/98	ENGINEER	WALTER P. MOORE
DRAWING TITLE: SCOREBOARD COLUMN COVER TUBE COLUMNS					
<p style="font-size: x-small;">P.O. BOX 11128-2044 BUCK LANE LEXINGTON, KENTUCKY 40511 PHONE: 606-253-4344 FAX: 606-253-4346</p>				ORDER NO. <b>P3524</b> SHEET NO. <b>348</b>	

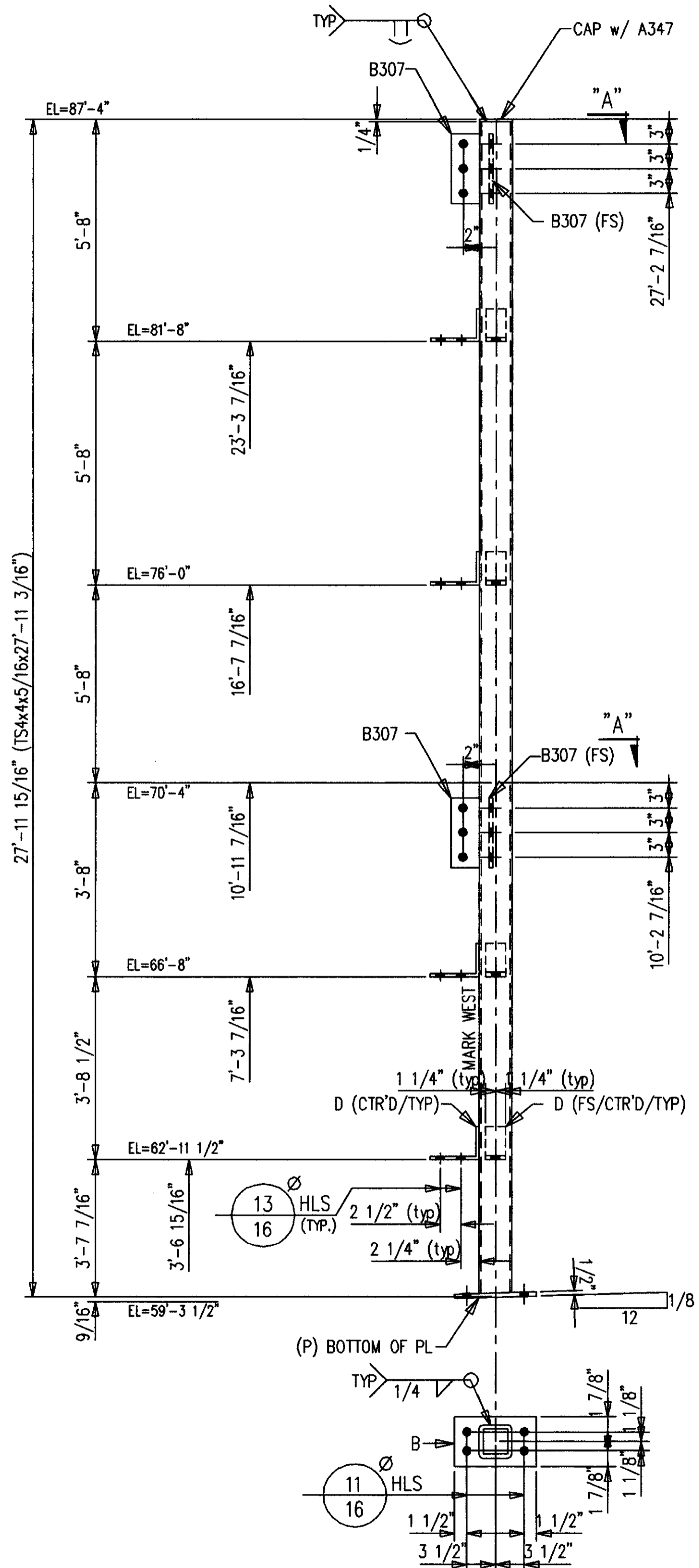
**AS BUILT**  
 NAME: *Map*  
 TYP: *Map*  
 DATE: **AUG 16 1999**



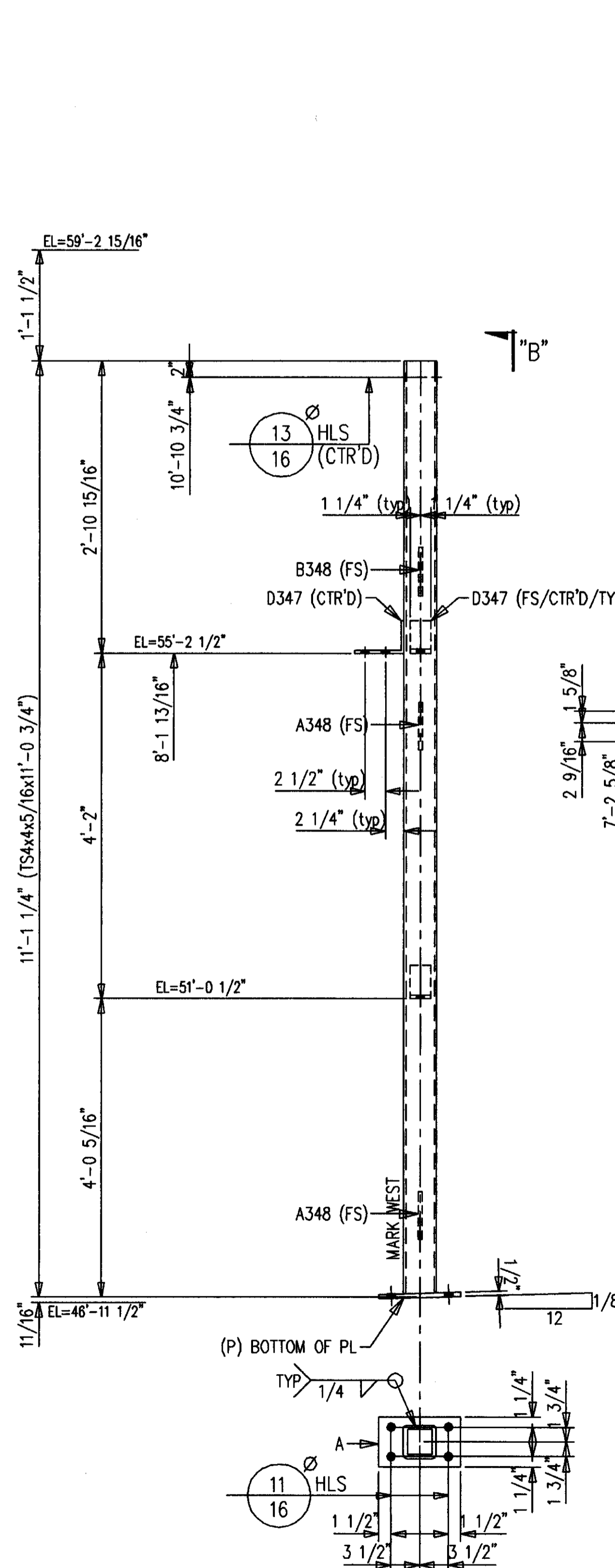
SECTION "A"



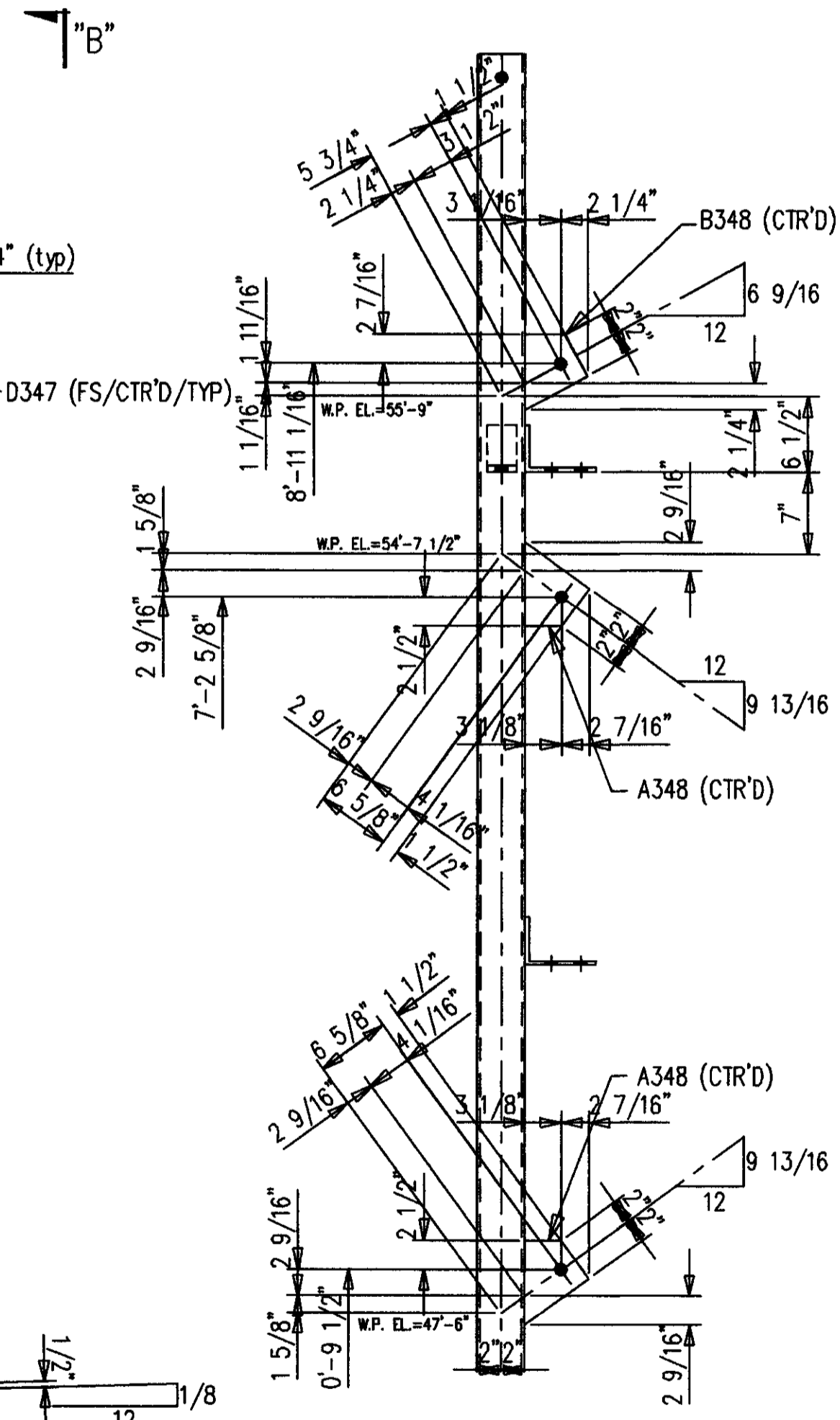
2-COLUMNS 349C1 R [AS SHOWN]  
 2-COLUMNS 349C1 L [OPP HAND]  
 16-A325 5/8 X 2 F1032A  
 4-A307 3/4 X 5/8 F1292M



ONE-COLUMN 349C2 R [AS SHOWN]  
 ONE-COLUMN 349C2 L [OPP HAND]  
 8-A325 5/8 X 2 F1032A



ONE-COLUMN 349C3  
 4-A325 5/8 X 2 F1032A  
 1-A307 3/4 X 5/8 F1292M



SECTION "B"

**AS BUILT**  
 NAME: *Map Hughes*  
 DATE: **AUG 16 1999**

SHOP NOTE:  
 ALL STEEL GETS PRIMER ONLY

BILL OF MATERIAL						
SHIP MARK SUB MARK	NO. PCS.	DESCRIPTION	LENGTH		CL LIST	REMARKS
			FT.	IN.		
349C1 L	2	COVER COLUMNS				
349C1	2	TS4X4X5/16	11	0-3/4		BC1E/P
A349	2	FB1/2X6	0	10		P
D347	8	L6X4X5/16	0	2-1/2		P
349C1 R	2	COVER COLUMNS				
349C1	2	TS4X4X5/16	11	0-3/4		BC1E/P
A349	2	FB1/2X6	0	10		P
D347	8	L6X4X5/16	0	2-1/2		P
349C2 L	ONE	COVER COLUMN				
349C2	1	TS4X4X5/16	27	11-3/16		BC1E/SC1E
A347	1	FB1/4X4	0	4		
B307	4	FB1/2X4	0	9		P
B349	1	FB1/2X6	0	10		P
D347	8	L6X4X5/16	0	2-1/2		P
349C2 R	ONE	COVER COLUMN				
349C2	1	TS4X4X5/16	27	11-3/16		BC1E/SC1E
A347	1	FB1/4X4	0	4		
B307	4	FB1/2X4	0	9		P
B349	1	FB1/2X6	0	10		P
D347	8	L6X4X5/16	0	2-1/2		P
349C3	ONE	COVER COLUMN				
349C3	1	TS4X4X5/16	11	0-3/4		BC1E/P
A348	2	PL3/8X5-9/16	0	7-5/8		P
A349	1	FB1/2X6	0	10		P
B348	1	PL3/8X5-5/16	0	6-3/8		P
D347	3	L6X4X5/16	0	2-1/2		P
		FIELD BOLTS				
F1032A	29	A325 5/8X2				
F10LIW	29	A LOAD IND 5/8				
F1292M	6	A307 3/4X5-3/4				

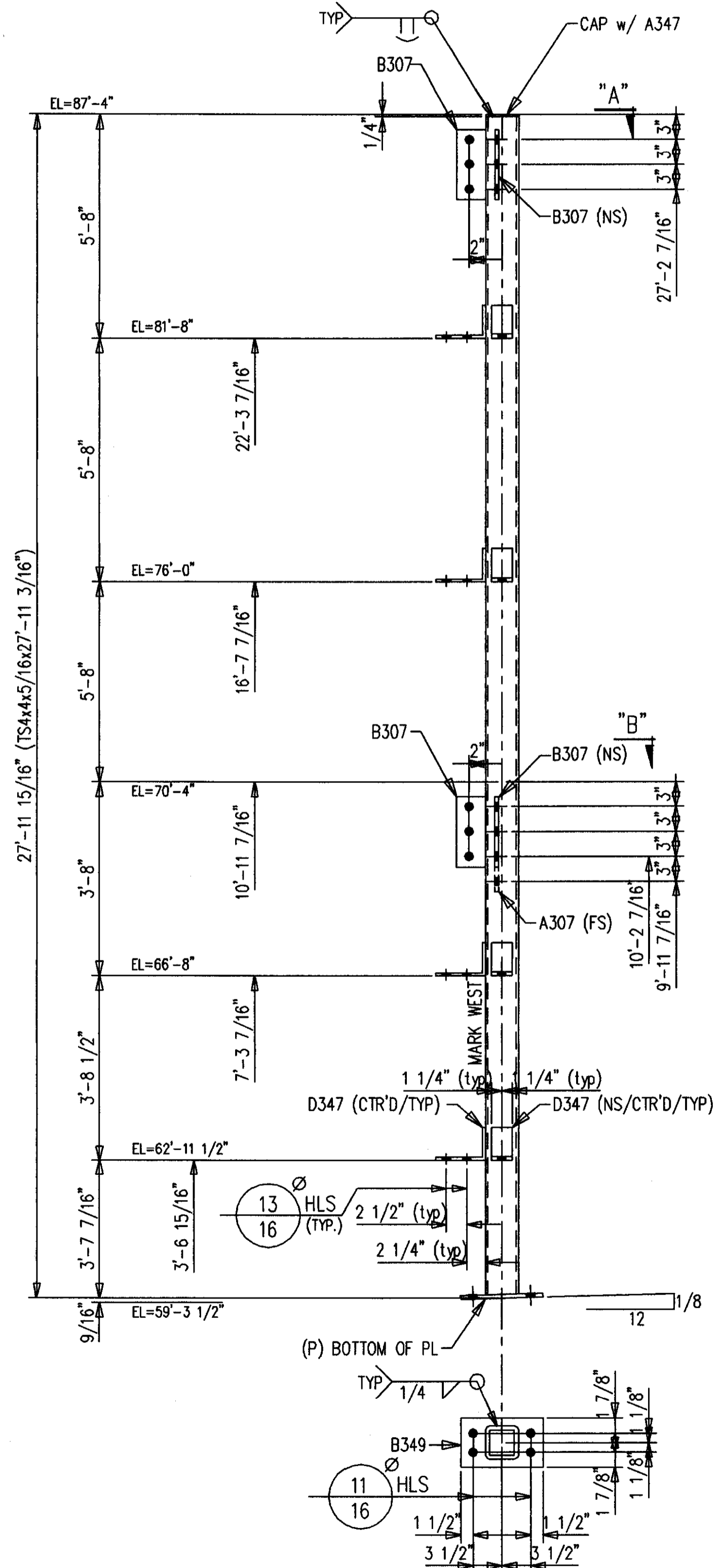
**SCOREBOARD COLUMN COVER TUBE COLUMNS**

DATE	APP	SHOP	FIELD

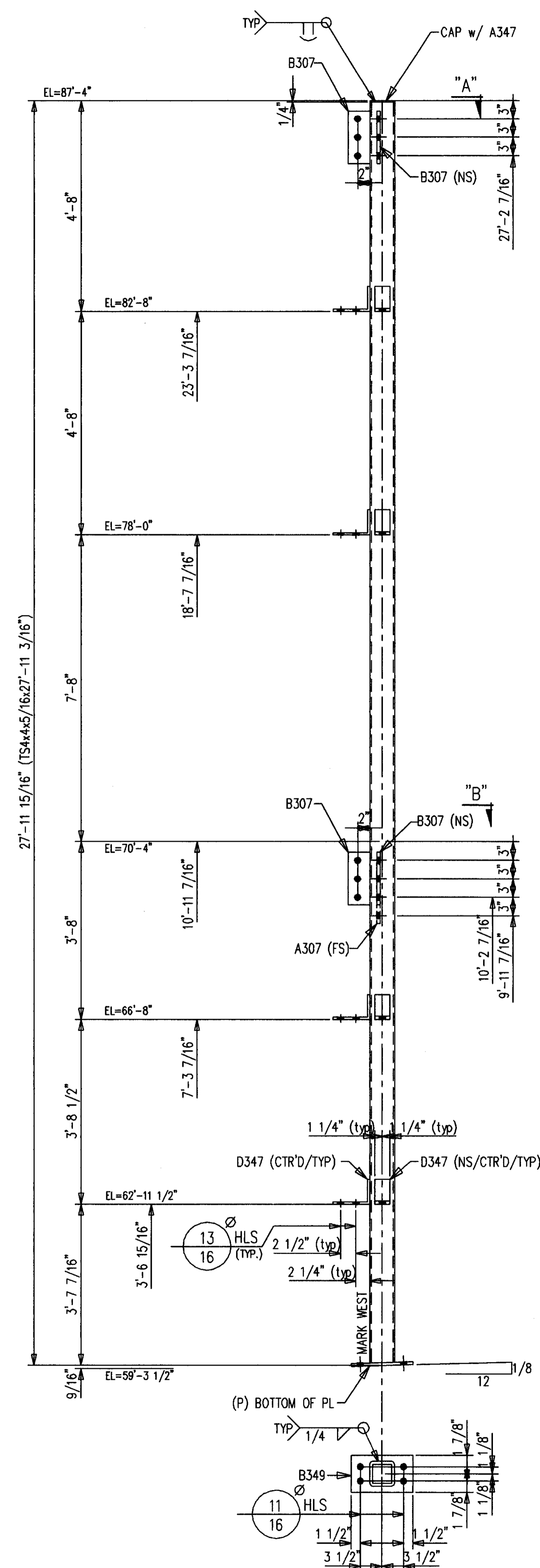
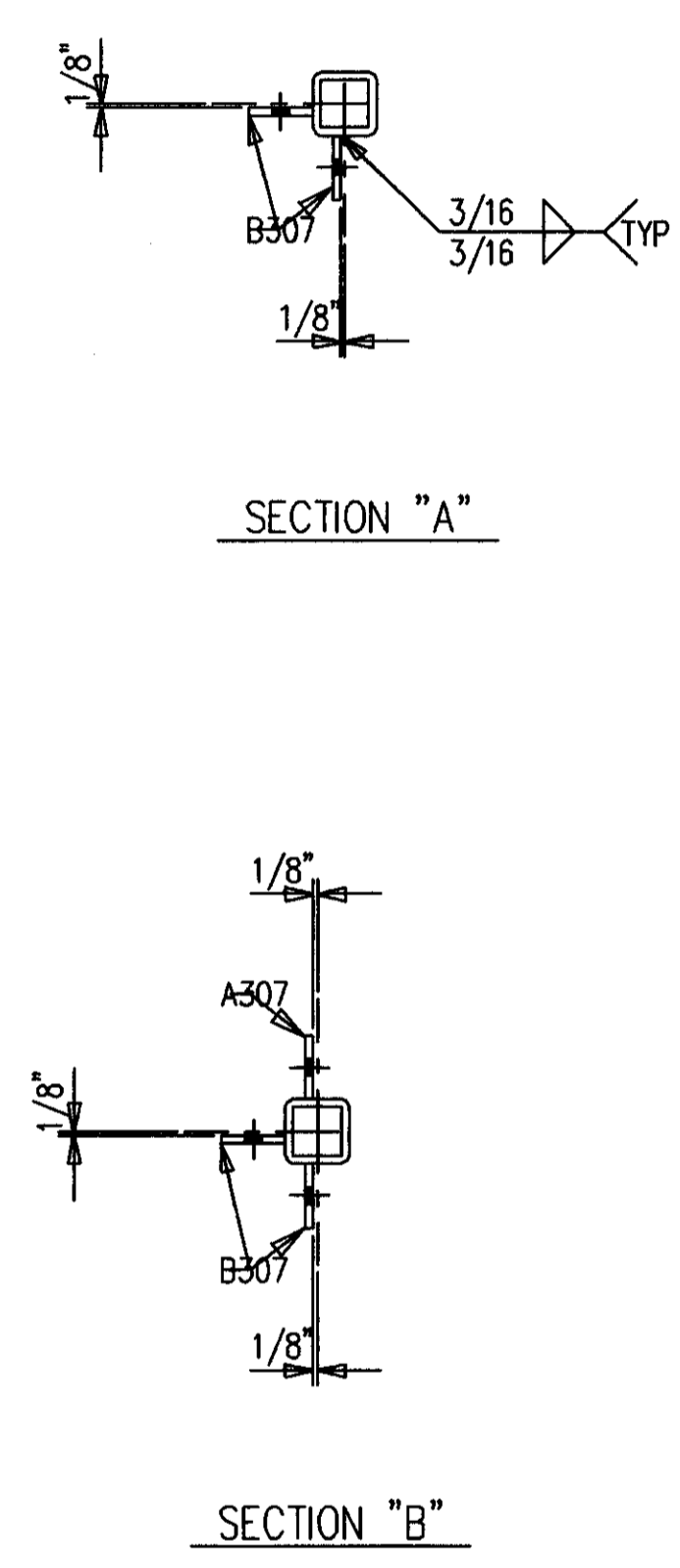
MID STATES STEEL PRODUCTS CO.  
 FABRICATORS OF STRUCTURAL AND MISCELLANEOUS STEEL

P.O. BOX 11128-2044 BUCK LANE  
 LEXINGTON, KENTUCKY 40511  
 PHONE: 606-235-4344 FAX: 606-233-4346

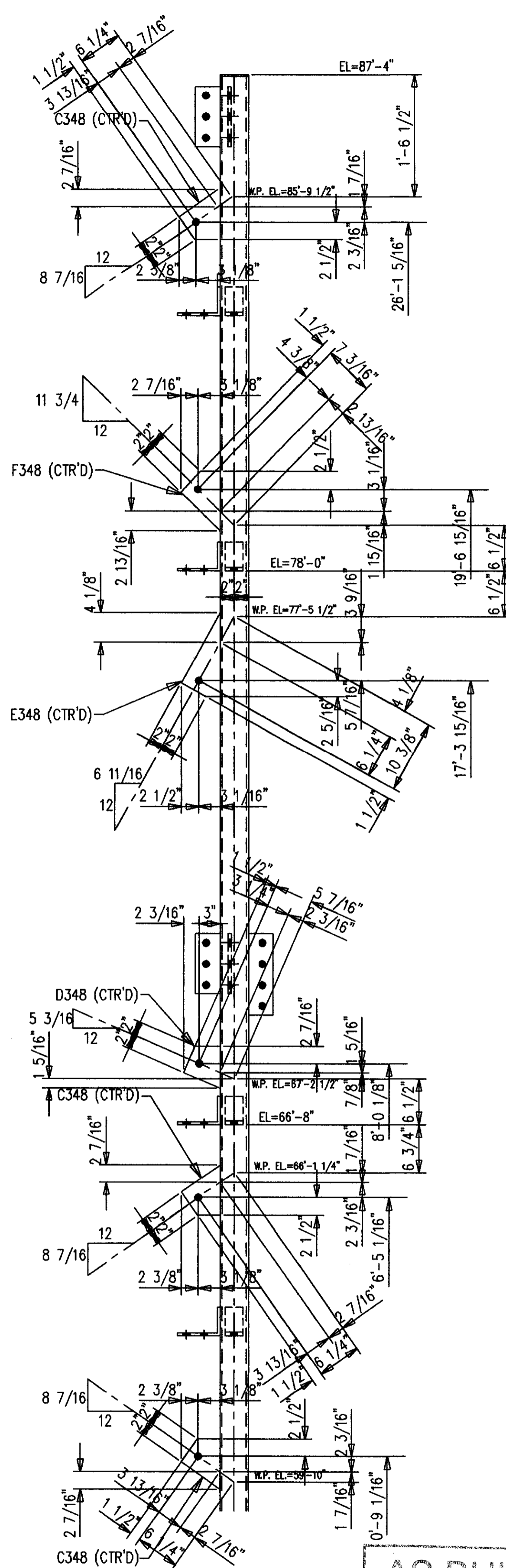
ORDER NO.  
**P3524**  
 SHEET NO.  
**349**



ONE-COLUMN 350C1 R [AS SHOWN]  
 ONE-COLUMN 350C1 L [OPP HAND]  
 8-A325 5/8 X 2 F1032A



ONE-COLUMN 350C2  
 4-A325 5/8 X 2 F1032A



**AS BUILT**  
 NAME: *Map Hughes*  
 DATE: AUG 16 1999

DATE	APP	SHOP	FIELD

SHOP NOTE:  
 ALL STEEL GETS PRIMER ONLY

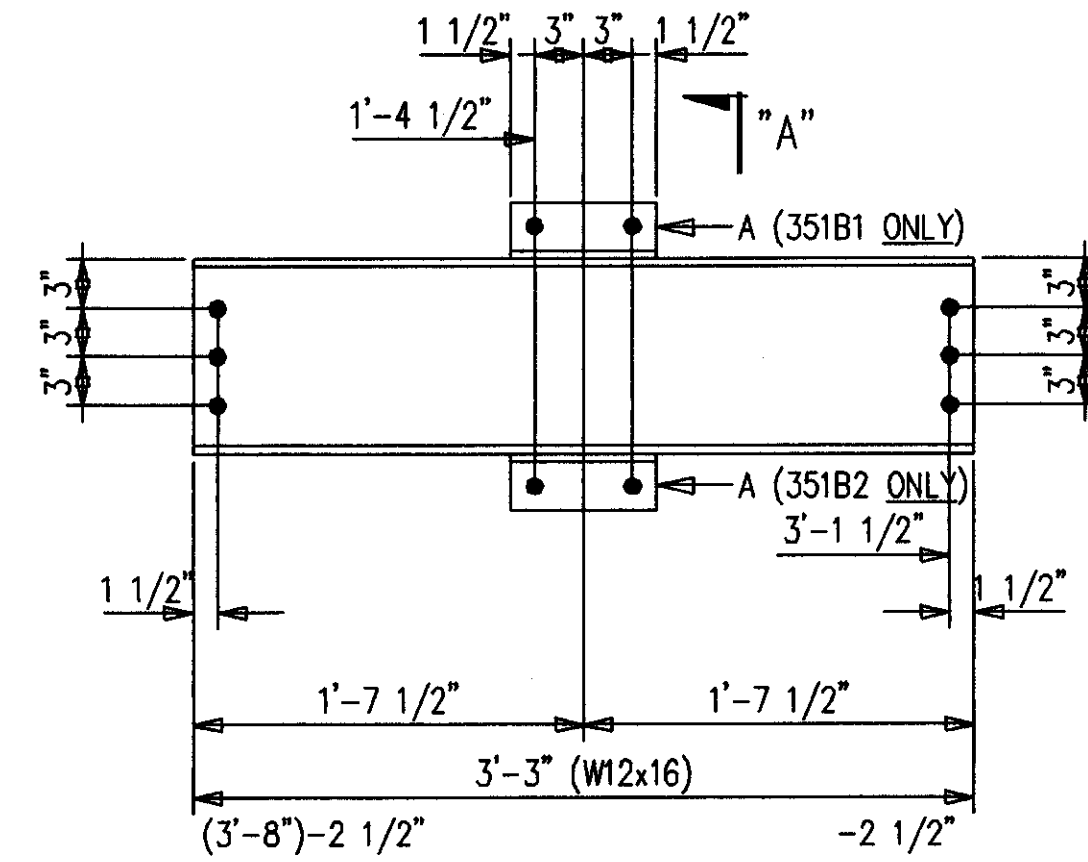
**BILL OF MATERIAL**

SHIP MARK SUB MARK	NO. PCS.	DESCRIPTION	LENGTH		CLUST	REMARKS
			FT.	IN.		
350C1 L	ONE	COVER COLUMNS				
350C1	1	TS4X4X5/16	27	11-3/16		BC1E/SC1E
A307	1	FB1/2X4	1	0		P
A347	1	FB1/4X4	0	4		P
B307	4	FB1/2X4	0	9		P
B349	1	FB1/2X6	0	10		P
D347	8	L6X4X5/16	0	2-1/2		P
350C1 R	ONE	COVER COLUMNS				
350C1	1	TS4X4X5/16	27	11-3/16		BC1E/SC1E
A307	1	FB1/2X4	1	0		P
A347	1	FB1/4X4	0	4		P
B307	4	FB1/2X4	0	9		P
B349	1	FB1/2X6	0	10		P
D347	8	L6X4X5/16	0	2-1/2		P
350C2	ONE	COVER COLUMN				
350C2	1	TS4X4X5/16	27	11-3/16		BC1E/SC1E
A307	1	FB1/2X4	1	0		P
A347	1	FB1/4X4	0	4		P
B307	4	FB1/2X4	0	9		P
B349	1	FB1/2X6	0	10		P
C348	3	PL3/8X5-1/2	0	7-1/8		P
D347	8	L6X4X5/16	0	2-1/2		P
D348	1	PL3/8X5-3/16	0	5-1/16		P
E348	1	PL3/8X5-9/16	0	11-7/8		P
F348	1	PL3/8X5-9/16	0	8-3/8		P
		FIELD BOLTS				
F1032A	13	A325 5/8X2				
F10LIW	13	A LOAD IND 5/8				

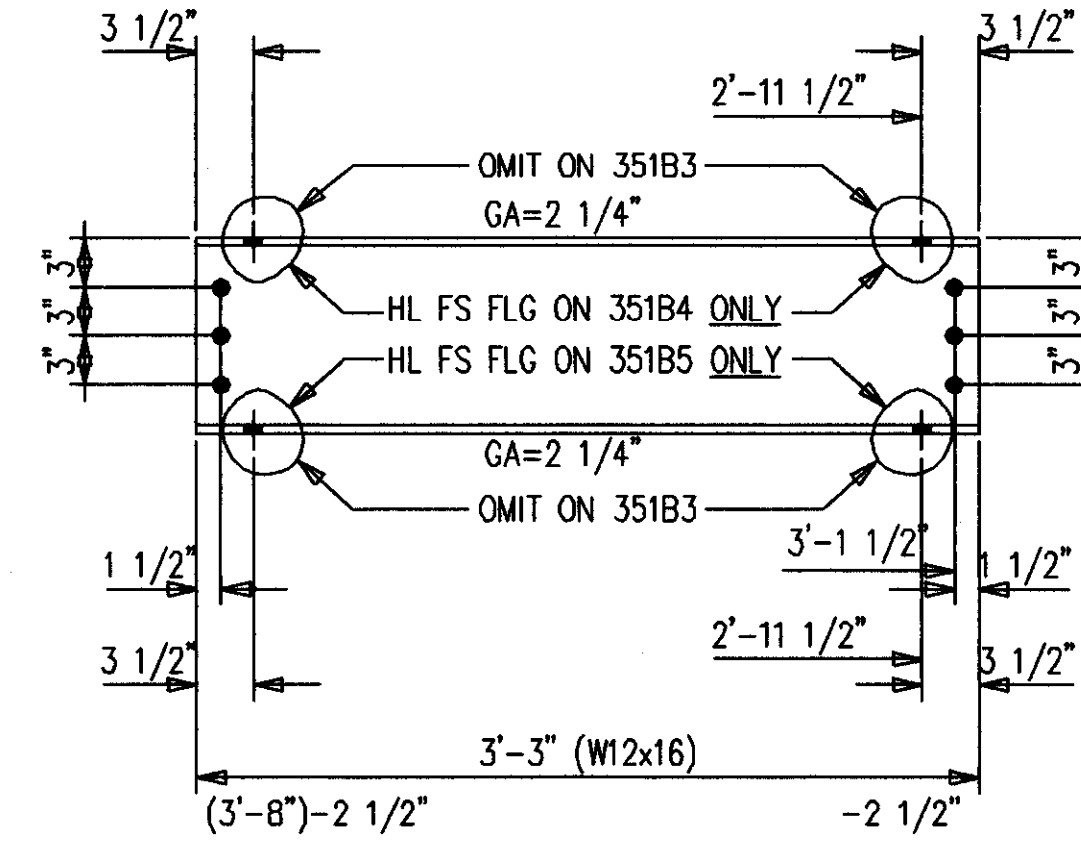
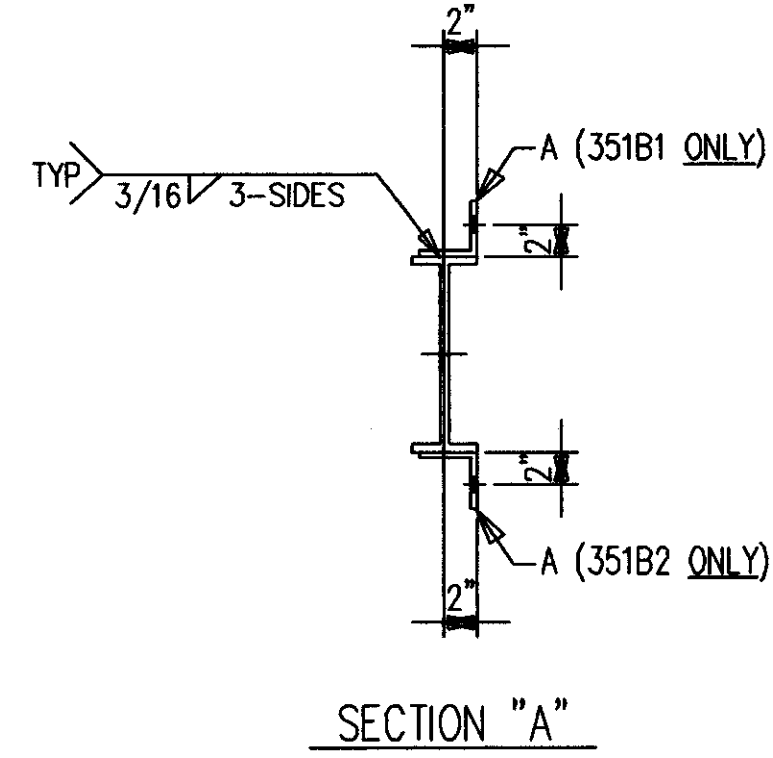
NO.	DATE	REVISION DESCRIPTION	DWG. I. C.O.D.
CONTRACTOR TO CHECK ALL DIMENSIONS AT JOB AS MID STATES STEEL PRODUCTS CO. ASSUMES NO RESPONSIBILITY FOR GENERAL BUILDING DIMENSIONS. NO BACK CHARGES PERTAINING TO THIS WORK WILL BE ACCEPTED WITHOUT PRIOR AUTHORIZATION BY MID STATES STEEL PRODUCTS CO.			
MATERIAL U/A A36	DRAWN BY DFD	JOB NAME COMMONWEALTH STADIUM EXPANSION	
OPEN HOLES U/N 1 1/8" Ø	DATE 11/98	JOB LOCATION UNIVERSITY OF KENTUCKY	
WELD ELECTRODE U/N E70XX	CHECKED BY GCL	CONTRACTOR TURNER CONSTRUCTION COMPANY	
SHOP PAINT SEE SPECS	DATE 11/98	ENGINEER WALTER P. MOORE	
DRAWING TITLE: SCOREBOARD COLUMN COVER TUBE COLUMNS			
P.O. BOX 11128-2044 BUCK LANE LEXINGTON, KENTUCKY 40511 PHONE: 606-233-4344 FAX: 606-233-4346			ORDER NO. P3524
FABRICATORS OF STRUCTURAL AND MISCELLANEOUS STEEL			SHEET NO. 350

## BILL OF MATERIAL

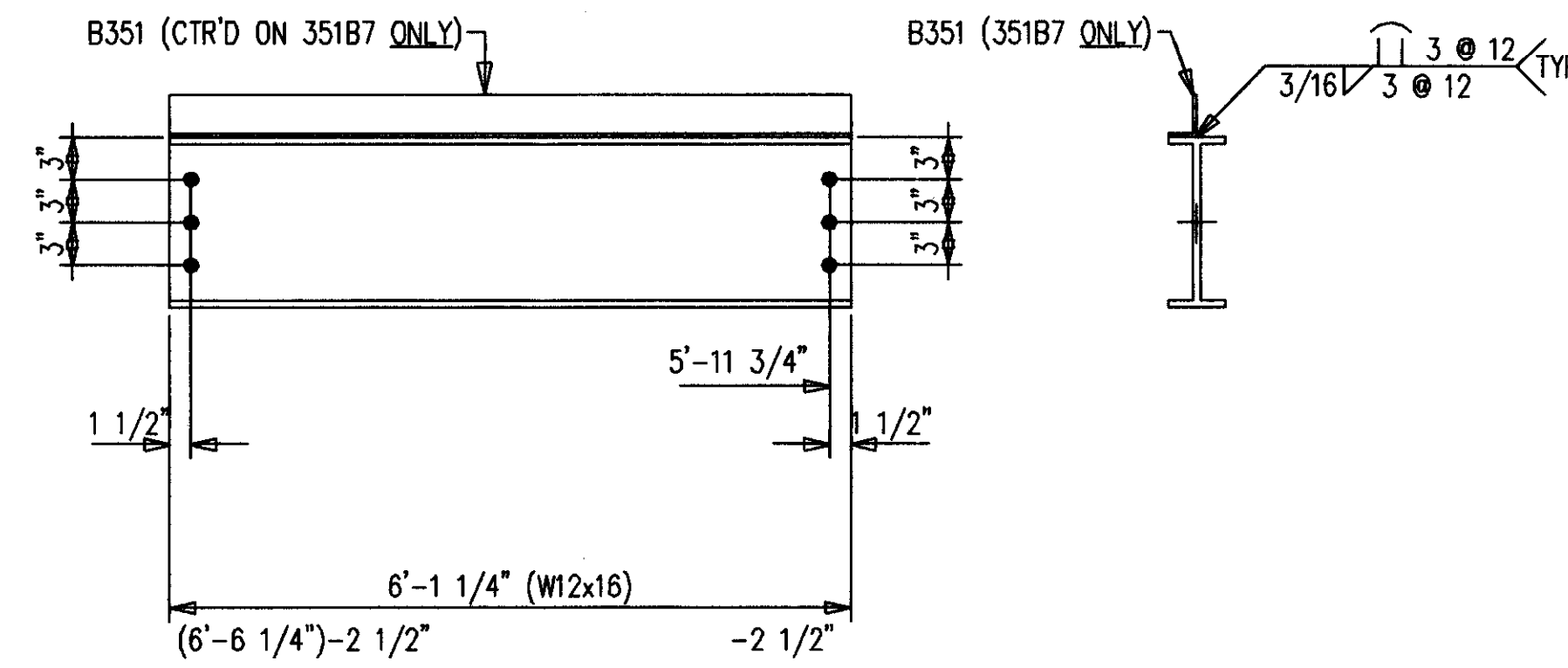
SHIP MARK SUB MARK	NO. PCS.	DESCRIPTION	LENGTH		CL UT TY	REMARKS
			FT.	IN.		
351B1	6	BEAMS				
351B1	6	W12X16 A572	3	3		P
A351	6	L3-1/2X3-1/2X5/16	0	9		P
351B2	3	BEAMS				
351B2	3	W12X16 A572	3	3		P
A351	3	L3-1/2X3-1/2X5/16	0	9		P
351B3	ONE	BEAM				
351B3	1	W12X16 A572	3	3		P
351B4	2	BEAMS				
351B4	2	W12X16 A572	3	3		P
351B5	3	BEAMS				
351B5	3	W12X16 A572	3	3		P
351B6	8	BEAMS				
351B6	8	W12X16 A572	6	1-1/4		P
351B7	4	BEAMS				
351B7	4	W12X16 A572	6	1-1/4		P
B351	4	L3X2X1/4	6	1-1/4		
351M1	34	ANGLES				
351M1	34	L4X4X5/16	6	1-1/4		P
351M2	18	ANGLES				
351M2	18	L4X4X5/16	3	3		P
351M3	15	ANGLES				
351M3	15	L4X4X5/16	3	3		P
351M4	8	ANGLES				
351M4	8	L4X4X5/16	4	0-5/16		P
351M5	12	ANGLE KICKERS				
351M5	12	L3X3X1/4	2	8		PLAIN
351M6	12	ANGLE KICKERS				
351M6	12	L3X3X1/4	5	2		PLAIN
		FIELD BOLTS				
F1228A	273	A325 3/4X1-3/4				
F1232A	17	A325 3/4X2				
F12LIW	289	A LOAD IND 3/4				
F1636H	165	A490 1X2-1/4				
F1644H	49	A490 1X2-3/4				
F16LIW	183	A LOAD IND 1				



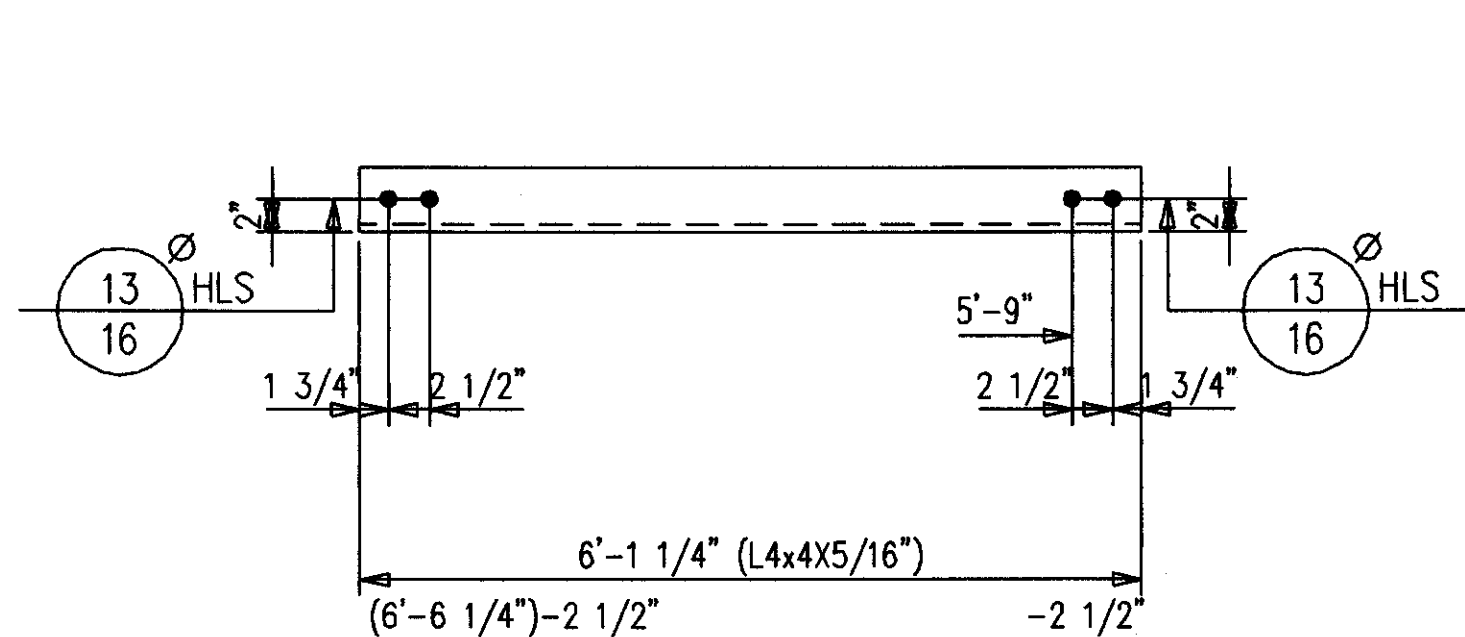
6-BEAMS 351B1  
3-BEAMS 351B2  
 54-A490 1 X 2 3/4 F1636H  
 18-A490 1 X 2 3/4 F1644H



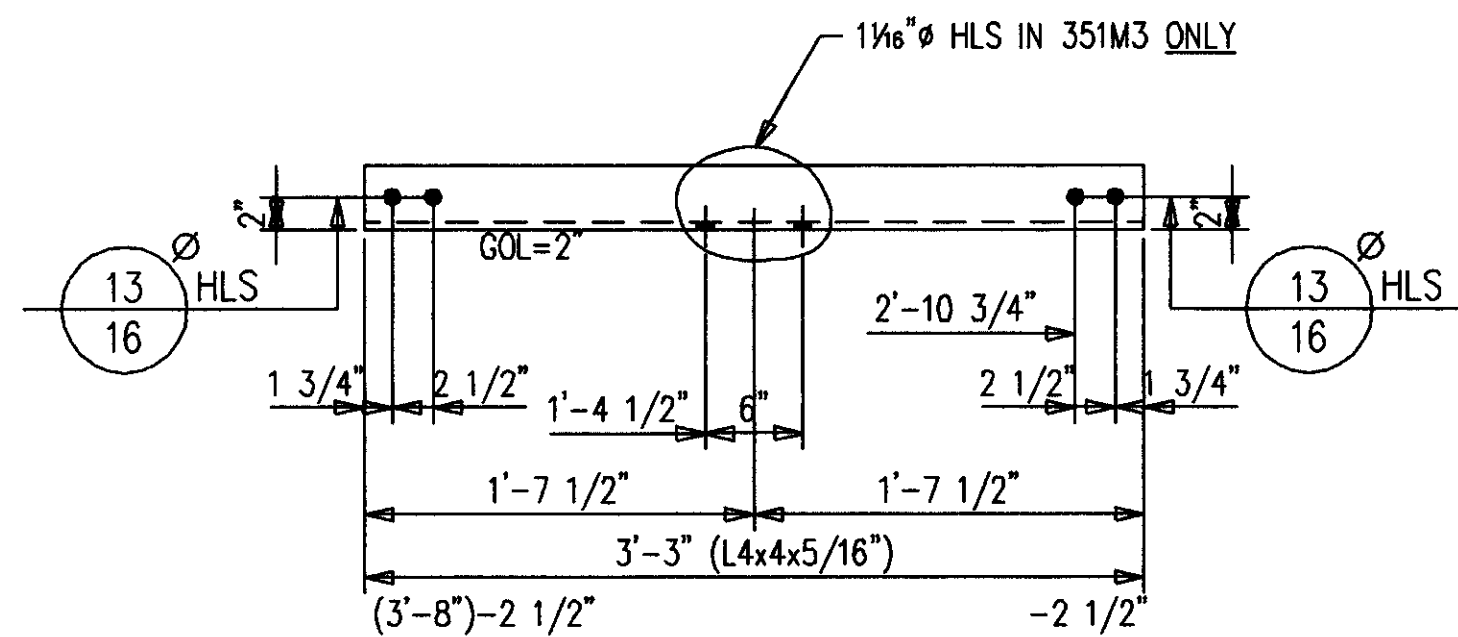
ONE-BEAM 351B3  
2-BEAMS 351B4  
3-BEAMS 351B5  
 36-A490 1 X 2 3/4 F1636H



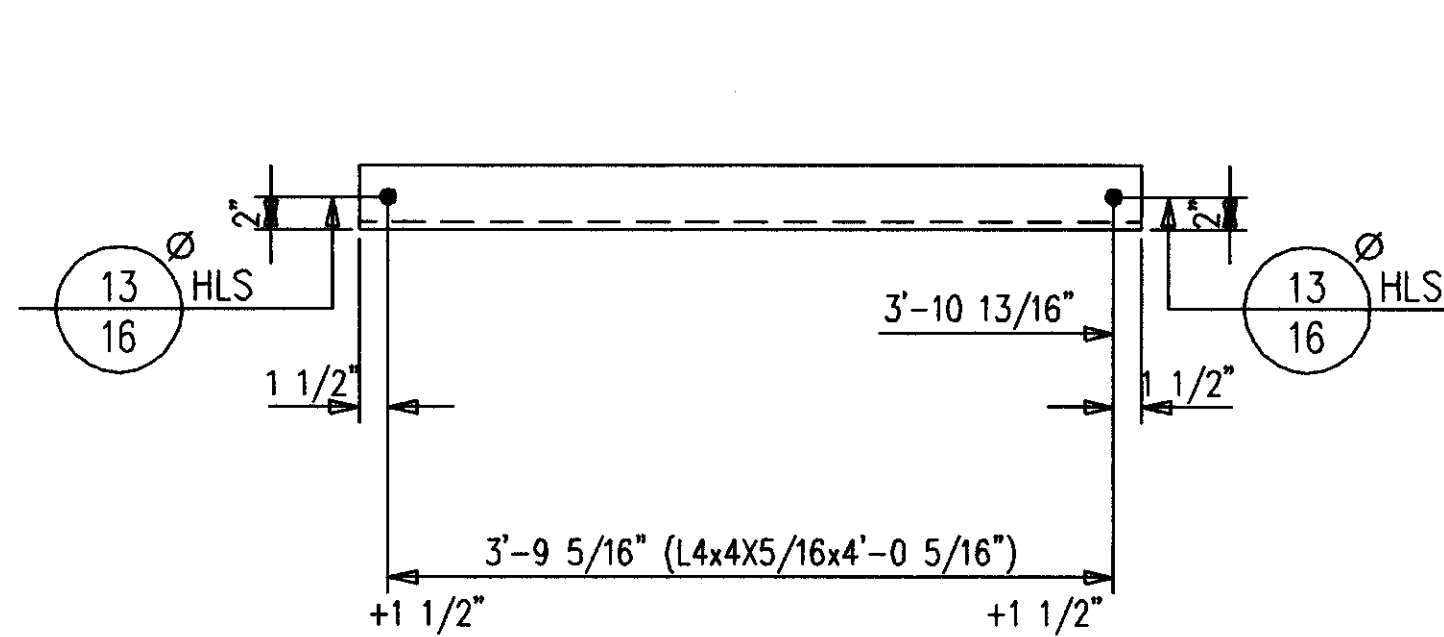
8-BEAMS 351B6  
4-BEAMS 351B7  
 72-A490 1 X 2 3/4 F1636H



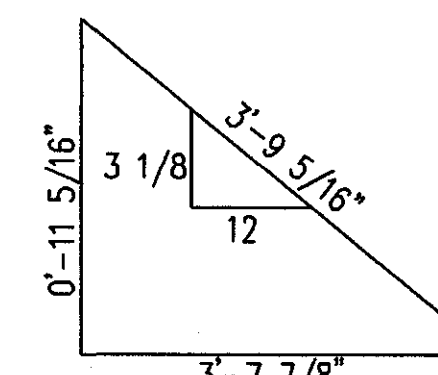
34-ANGLES 351M1  
 136-A325 3/4 X 1 3/4 F1228A



18-ANGLES 351M2  
15-ANGLES 351M3  
 132-A325 3/4 X 1 3/4 F1228A  
 30-A490 1 X 2 3/4 F1644H



8-ANGLES 351M4  
 16-A325 3/4 X 2 F1232A



SHOP NOTE:  
 ALL STEEL GETS PRIMER ONLY

AS BUILT  
 NAME: *Map Hughes*  
 DATE: AUG 18 1999

DATE	APP	SHOP	FIELD

ALL RE-ENTRANT CUTS  
 MIN. 1/2" RAD. U/N  
 ALL A325 BOLTS W/ ONE  
 HARD WASH. AND HVY HEX NUT  
 ALL A307 BOLTS  
 W/HEX NUT

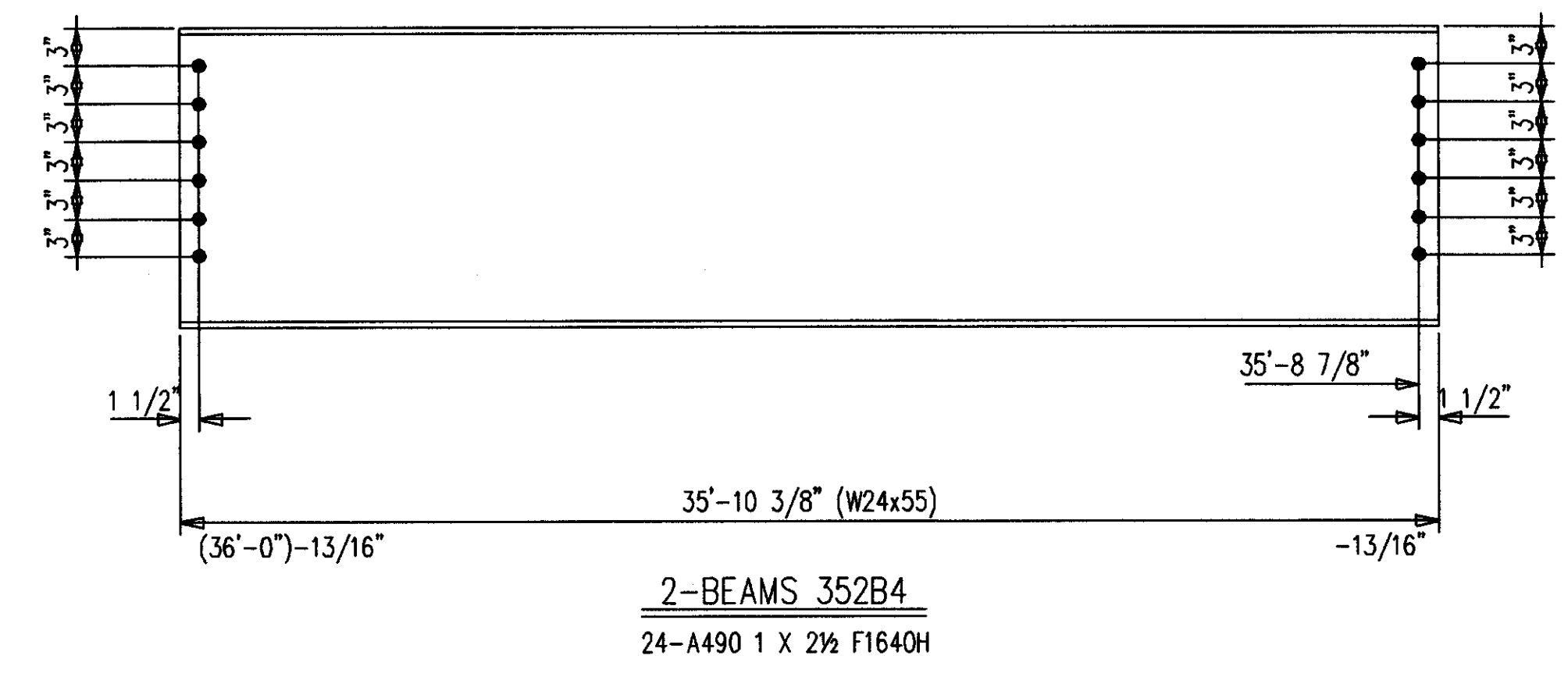
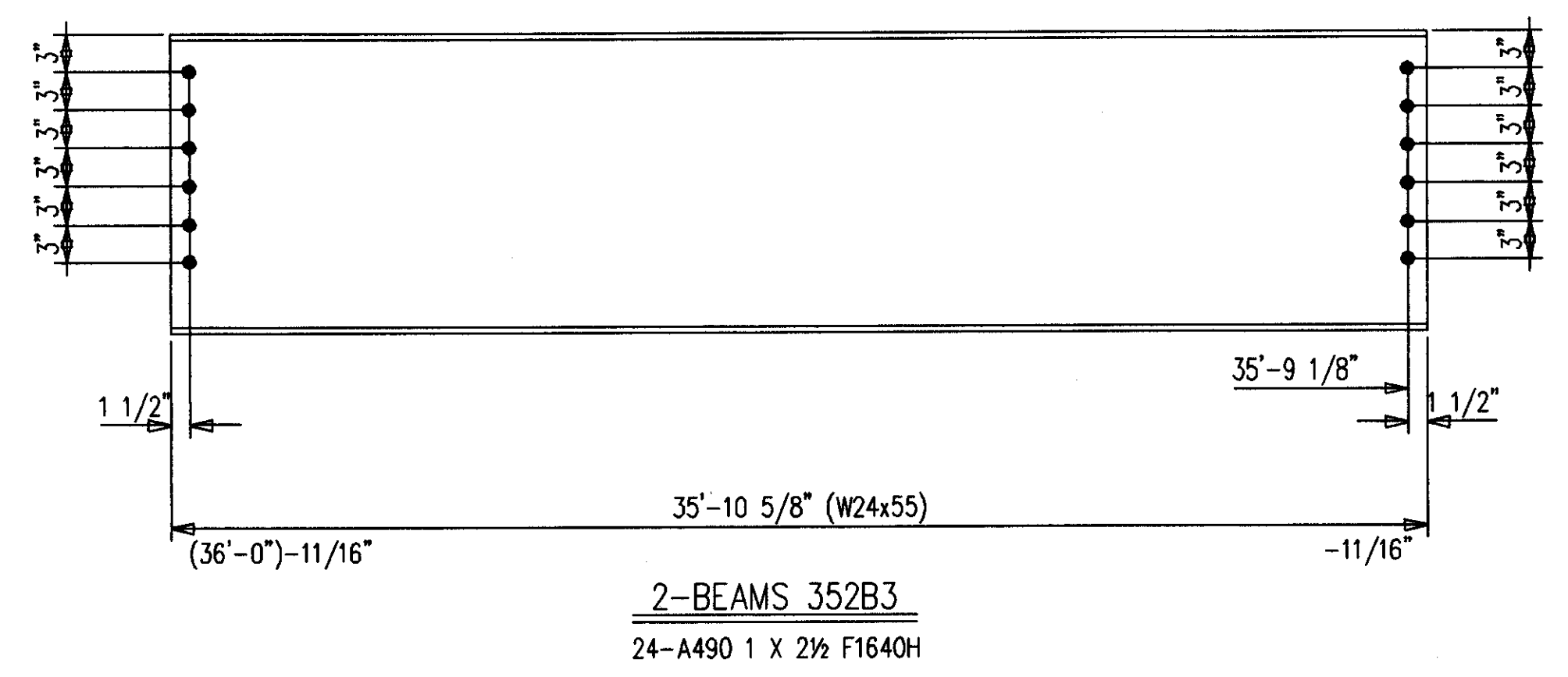
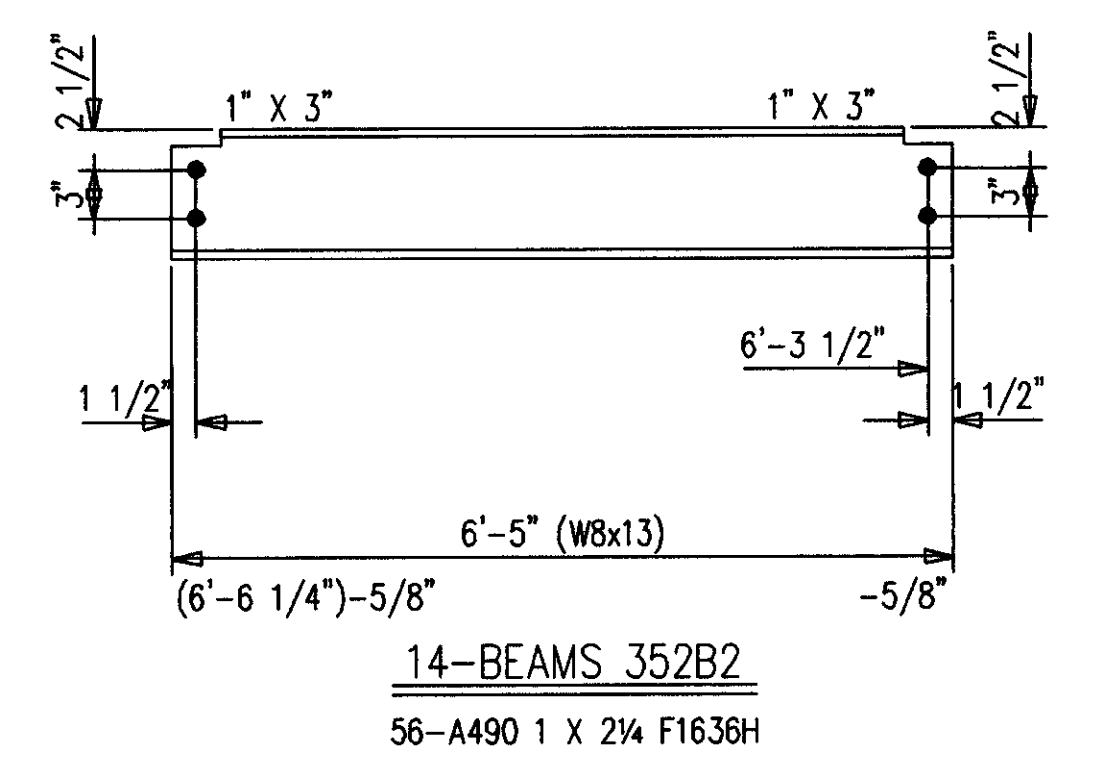
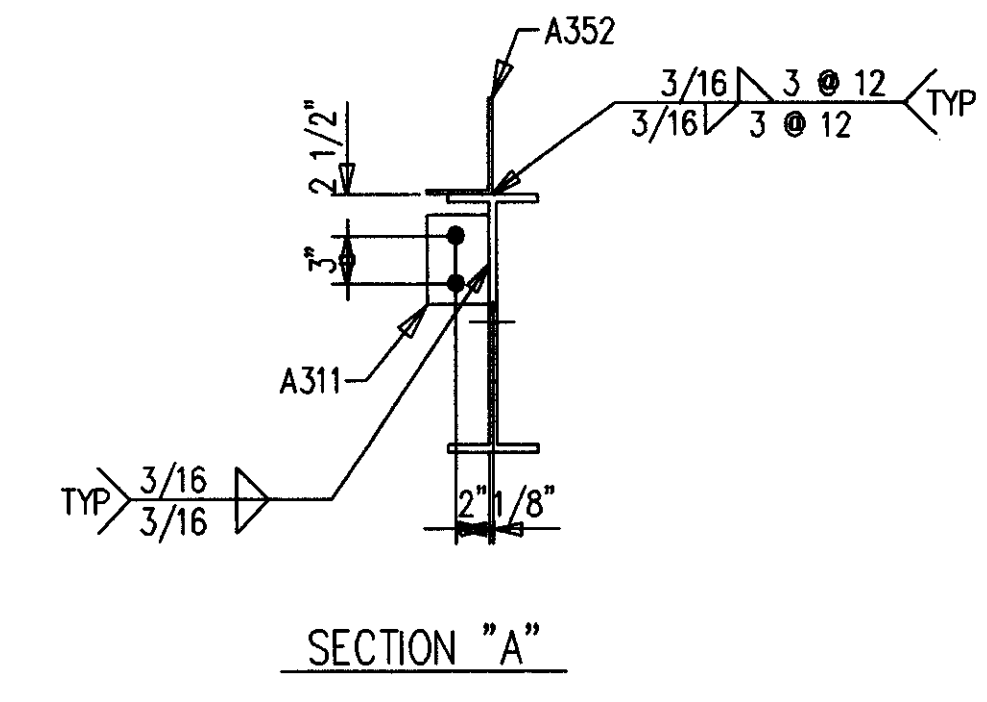
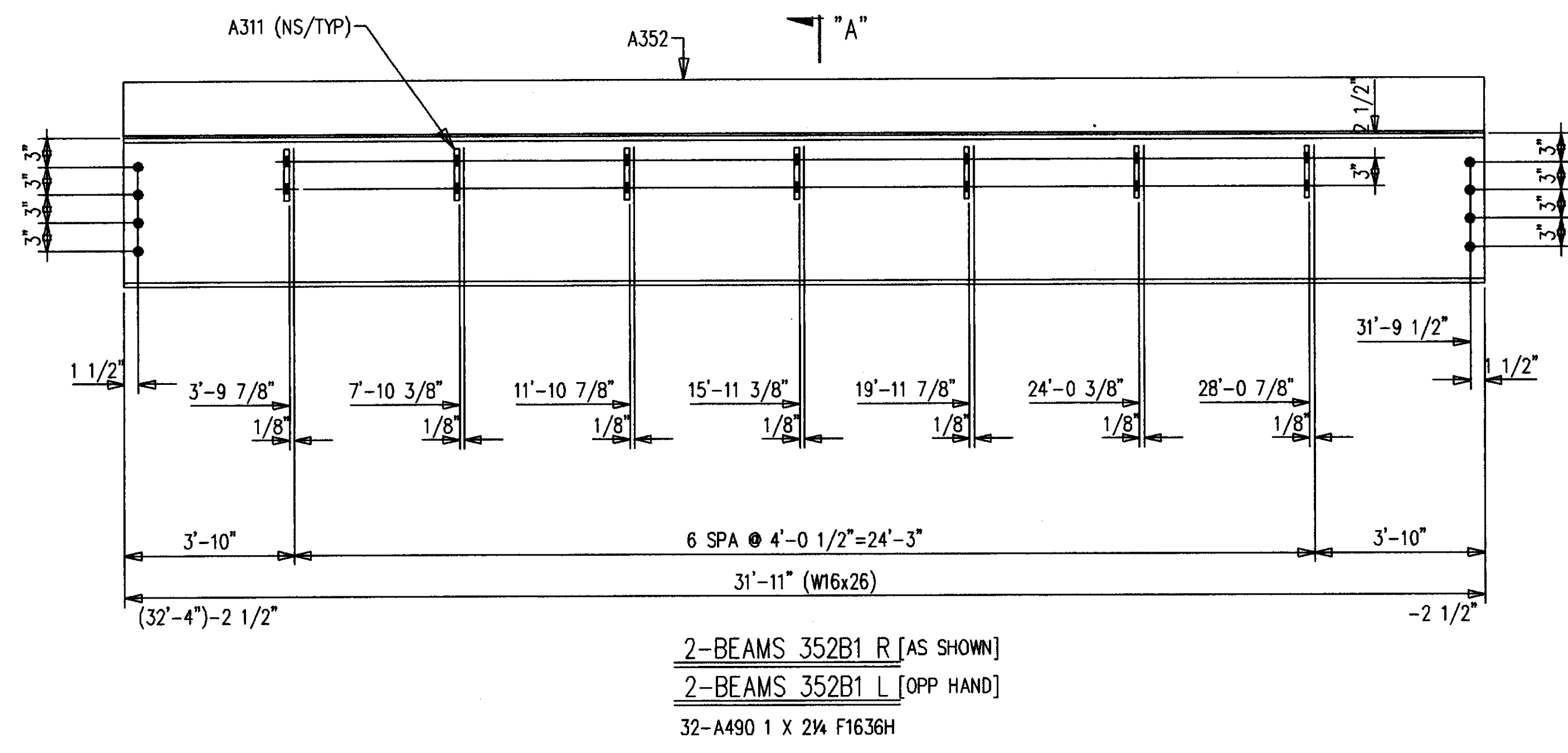
CONTRACTOR TO CHECK ALL DIMENSIONS AT JOB AS MID STATES STEEL PRODUCTS CO. ASSUMES NO  
 RESPONSIBILITY FOR GENERAL BUILDING DIMENSIONS. NO BACK CHARGES PERTAINING TO THIS WORK  
 WILL BE ACCEPTED WITHOUT PRIOR AUTHORIZATION BY MID STATES STEEL PRODUCTS CO.

MATERIAL U/N A36	DRAWN BY DFD	JOB NAME COMMONWEALTH STADIUM EXPANSION
OPEN HOLES U/N 1 1/8" Ø	DATE 12/98	JOB LOCATION UNIVERSITY OF KENTUCKY
WELD ELECTRODE U/N E70XX	CHECKED BY GCL	CONTRACTOR TURNER CONSTRUCTION COMPANY
SHOP PAINT SEE SPECS	DATE 12/98	ENGINEER WALTER P. MOORE
DRAWING TITLE SCOREBOARD COVER BEAMS, ANGLES AND BRACES		

P.O. BOX 11128-2044 BUCK LANE  
 LEXINGTON, KENTUCKY 40511  
 PHONE: 606-253-4344 FAX: 606-253-4346

MID STATES STEEL PRODUCTS CO.  
 FABRICATORS OF STRUCTURAL AND MISCELLANEOUS STEEL

ORDER NO. P3524  
 SHEET NO. 351



**BILL OF MATERIAL**

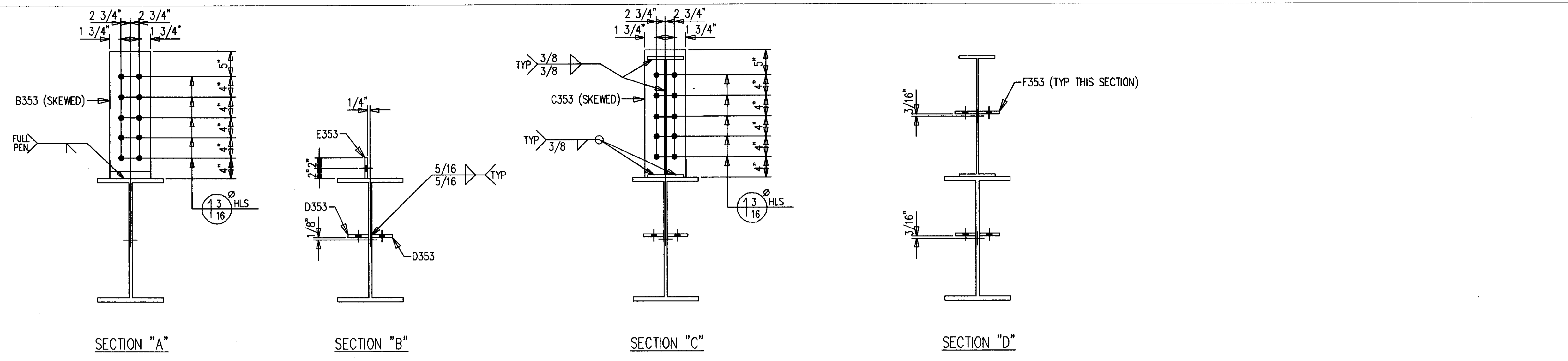
SHIP MARK SUB MARK	NO. PCS.	DESCRIPTION	LENGTH		CL U S T	REMARKS
			FT.	IN.		
352B1 L	2	BEAMS				
352B1	2	W16X26 A572	31	11		P
A311	14	FBI/2X4	0	6		P
A352	2	L6X3-1/2X1/4	31	11		
352B1 R	2	BEAMS				
352B1	2	W16X26 A572	31	11		P
A311	14	FBI/2X4	0	6		P
A352	2	L6X3-1/2X1/4	31	11		
352B2	14	BEAMS				
352B2	14	W8X13 A572	6	5		P
352B3	2	BEAMS				
352B3	2	W24X55 A572	35	10-5/8		P
352B4	2	BEAMS				
352B4	2	W24X55 A572	35	10-3/8		P
		FIELD BOLTS				
F1636H	89	A490 1X2-1/4				
F1640H	49	A490 1X2-1/2				
F16LIW	138	A LOAD IND 1				

SHOP NOTE:  
ALL STEEL GETS PRIMER ONLY

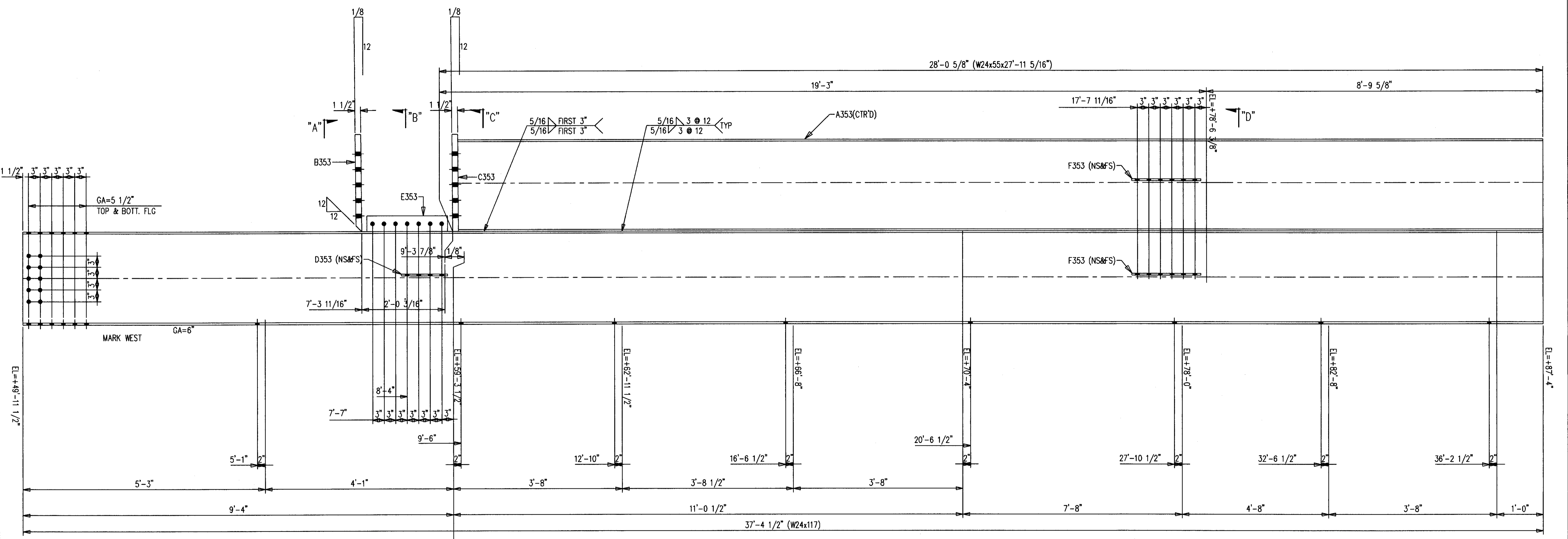
**AS BUILT**  
NAME: *Max Hughes*  
DATE: **AUG 16 1999**

DATE	APP	SHOP	FIELD

NO.	DATE	REVISION DESCRIPTION	DWN	LOC
CONTRACTOR TO CHECK ALL DIMENSIONS AT JOB AS MID STATES STEEL PRODUCTS CO. ASSUMES NO RESPONSIBILITY FOR GENERAL BUILDING DIMENSIONS. NO BACK CHARGES PERTAINING TO THIS WORK WILL BE ACCEPTED WITHOUT PRIOR AUTHORIZATION BY MID STATES STEEL PRODUCTS CO.				
MATERIAL U/N	A36	DRAWN BY	DFD	JOB NAME
OPEN HOLES U/N	1 1/16" Ø	DATE	12/98	COMMONWEALTH STADIUM EXPANSION
WELD ELECTRODE U/N	E70XX	CHECKED BY	GCL	JOB LOCATION
SHOP PAINT	SEE SPECS	DATE	12/98	UNIVERSITY OF KENTUCKY
ALL A307 BOLTS w/HEX NUT		ENGINEER	WALTER P. MOORE	CONTRACTOR
ALL RE-ENTRANT CUTS MIN. 1/2" RAD. U/N				TURNER CONSTRUCTION COMPANY
ALL A325 BOLTS w/ONE HARD WASH. AND HVY HEX NUT				
DRAWING TITLE: CAMERA PLATFORM BEAMS				
				ORDER NO.
P.O. BOX 11128-2044 BUCK LANE LEXINGTON, KENTUCKY 40511 PHONE: 606-233-4344 FAX: 606-233-4346				P3524
FABRICATORS OF STRUCTURAL AND MISCELLANEOUS STEEL				SHEET NO.
				352



BILL OF MATERIAL					
SHIP MARK SUB MARK	NO. PCS.	DESCRIPTION	LENGTH		REMARKS
			FT.	IN.	
353C1	ONE	COLUMN			
353C1	1	W24X117 A572	37	4-1/2	P/SC2P
A353	1	W24X55 A572	27	11-5/16	BC1E/SC1E
B353	1	PL1-1/2X9	2	1	P
C353	1	PL1-1/2X9	2	1	P
D353	2	FB1/2X4	1	0	P
E353	1	FB1/2X4	1	9	P
F353	4	FB1/2X4	1	6	P
FIELD BOLTS					
F1656H	35	A490 1X3-1/2			



PRIMER/FINISH  
PRIMER ONLY 3" AROUND ALL HOLES

PRIMER ONLY TO 87'-4"

**AS BUILT**  
NAME: *Map Hughes*  
DATE: **AUG 16 1999**

ALL RE-ENTRANT CUTS MIN. 1/2" RAD. U/N	WELD ELECTRODE U/N E70XX	CHECKED BY <b>GCL</b>	DATE 12/98	CONTRACTOR TURNER CONSTRUCTION COMPANY
ALL A325 BOLTS w/ONE HARD WASH. AND HVY HEX NUT	SHOP PAINT SEE SPECS	ENGINEER WALTER P. MOORE		
ALL A307 BOLTS w/HEX NUT	DRAWING TITLE COLUMNS			
DATE	APP	SHOP	FIELD	

NO.	DATE	REVISION DESCRIPTION	BY	CHKD
CONTRACTOR TO CHECK ALL DIMENSIONS AT JOB AS MID STATES STEEL PRODUCTS CO. ASSUMES NO RESPONSIBILITY FOR GENERAL BUILDING DIMENSIONS. NO BACK CHARGES PERTAINING TO THIS WORK WILL BE ACCEPTED WITHOUT PRIOR AUTHORIZATION BY MID STATES STEEL PRODUCTS CO.				
MATERIAL U/N	A36	DRAWN BY	<b>DFD</b>	JOB NAME
OPEN HOLES U/N	1-1/16	DATE	12/98	COMMONWEALTH STADIUM EXPANSION
				JOB LOCATION
				UNIVERSITY OF KENTUCKY

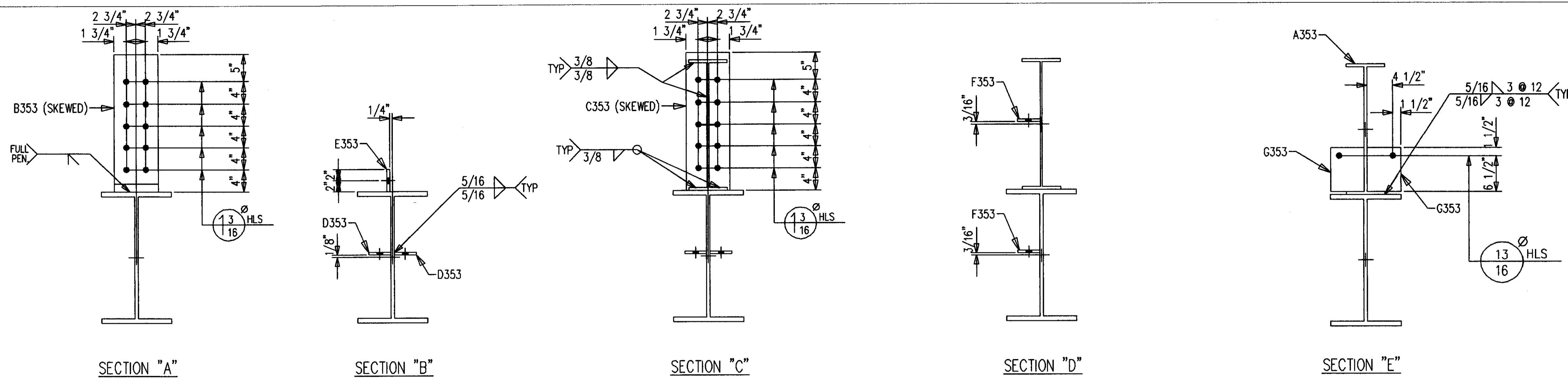
**MID STATES STEEL PRODUCTS CO.**  
FABRICATORS OF STRUCTURAL AND MISCELLANEOUS STEEL

P.O. BOX 11128-2044 BUCK LANE  
LEXINGTON, KENTUCKY 40511  
PHONE: 606-233-4344 FAX: 606-233-4346

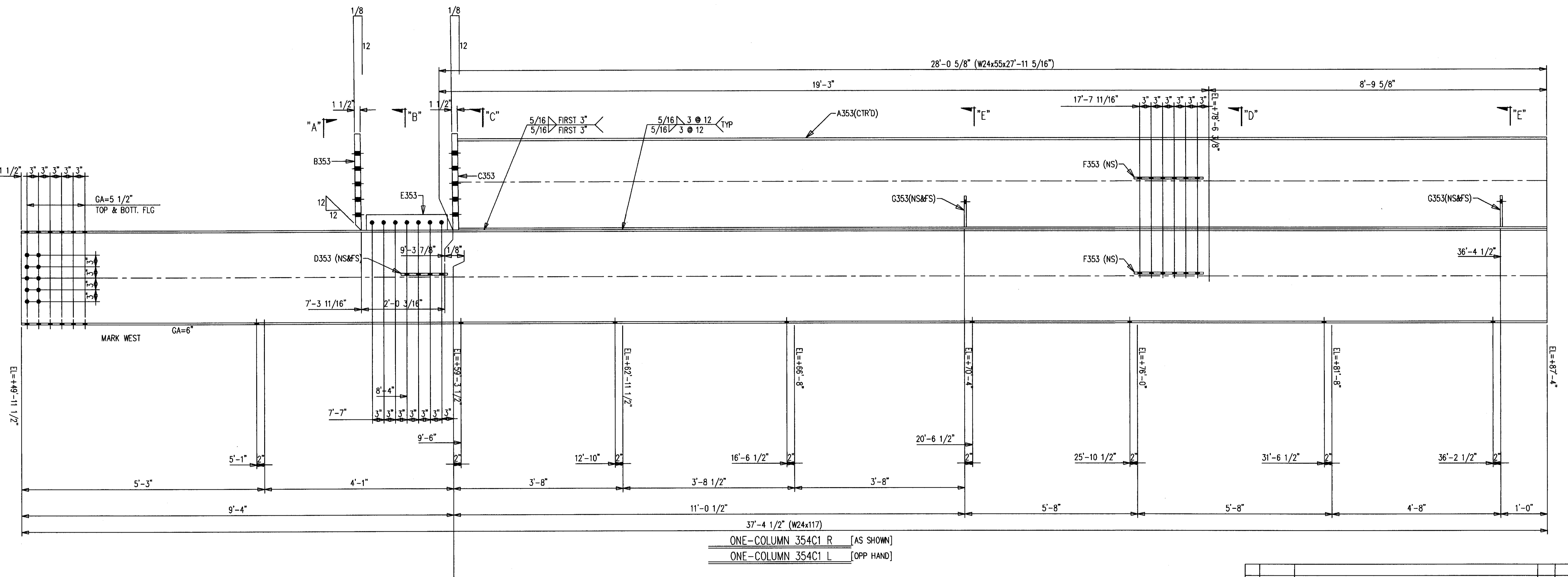
ORDER NO.  
**P3524**

SHEET NO.  
**353**





BILL OF MATERIAL						
SHIP MARK SUB MARK	NO. PCS.	DESCRIPTION	LENGTH		CL U/S	REMARKS
			FT.	IN.		
354C1 L	ONE	COLUMN				
354C1	1	W24X117 A572	37	4-1/2		P/SC2E
A353	1	W24X55 A572	27	11-5/16		BC1E/SC1E
B353	1	PL1-1/2X9	2	1		P
C353	1	PL1-1/2X9	2	1		P
D353	2	FB1/2X4	1	0		P
E353	1	FB1/2X4	1	9		P
F353	2	FB1/2X4	1	6		P
G353	4	FB1/2X6	0	8		P/CTF
354C1 R	ONE	COLUMN				
354C1	1	W24X117 A572	37	4-1/2		P/SC2E
A353	1	W24X55 A572	27	11-5/16		BC1E/SC1E
B353	1	PL1-1/2X9	2	1		P
C353	1	PL1-1/2X9	2	1		P
D353	2	FB1/2X4	1	0		P
E353	1	FB1/2X4	1	9		P
F353	2	FB1/2X4	1	6		P
G353	4	FB1/2X6	0	8		P/CTF



PRIMER/FINISH  
PRIMER ONLY 3" AROUND ALL HOLES

PRIMER ONLY TO 87'-4"

37'-4 1/2" (W24x117)  
ONE-COLUMN 354C1 R [AS SHOWN]  
ONE-COLUMN 354C1 L [OPP HAND]

**AS BUILT**  
NAME: *Walter Moore*  
DATE: AUG 1 8 1999

DATE	APP	SHOP	FIELD

NO.	DATE	REVISION DESCRIPTION	DRAWN	CHKD

CONTRACTOR TO CHECK ALL DIMENSIONS AT JOB AS MID STATES STEEL PRODUCTS CO. ASSUMES NO RESPONSIBILITY FOR GENERAL BUILDING DIMENSIONS. NO BACK CHARGES PERTAINING TO THIS WORK WILL BE ACCEPTED WITHOUT PRIOR AUTHORIZATION BY MID STATES STEEL PRODUCTS CO.

MATERIAL U/N	A36	DRAWN BY	DFD	JOB NAME	COMMONWEALTH STADIUM EXPANSION
OPEN HOLES U/N	1-1/16	DATE	12/98	JOB LOCATION	UNIVERSITY OF KENTUCKY
WELD ELECTRODE U/N	E70XX	CHECKED BY	GCL	CONTRACTOR	TURNER CONSTRUCTION COMPANY
SHOP PAINT	SEE SPECS	DATE	12/98	ENGINEER	WALTER P. MOORE

DRAWING TITLE: COLUMNS

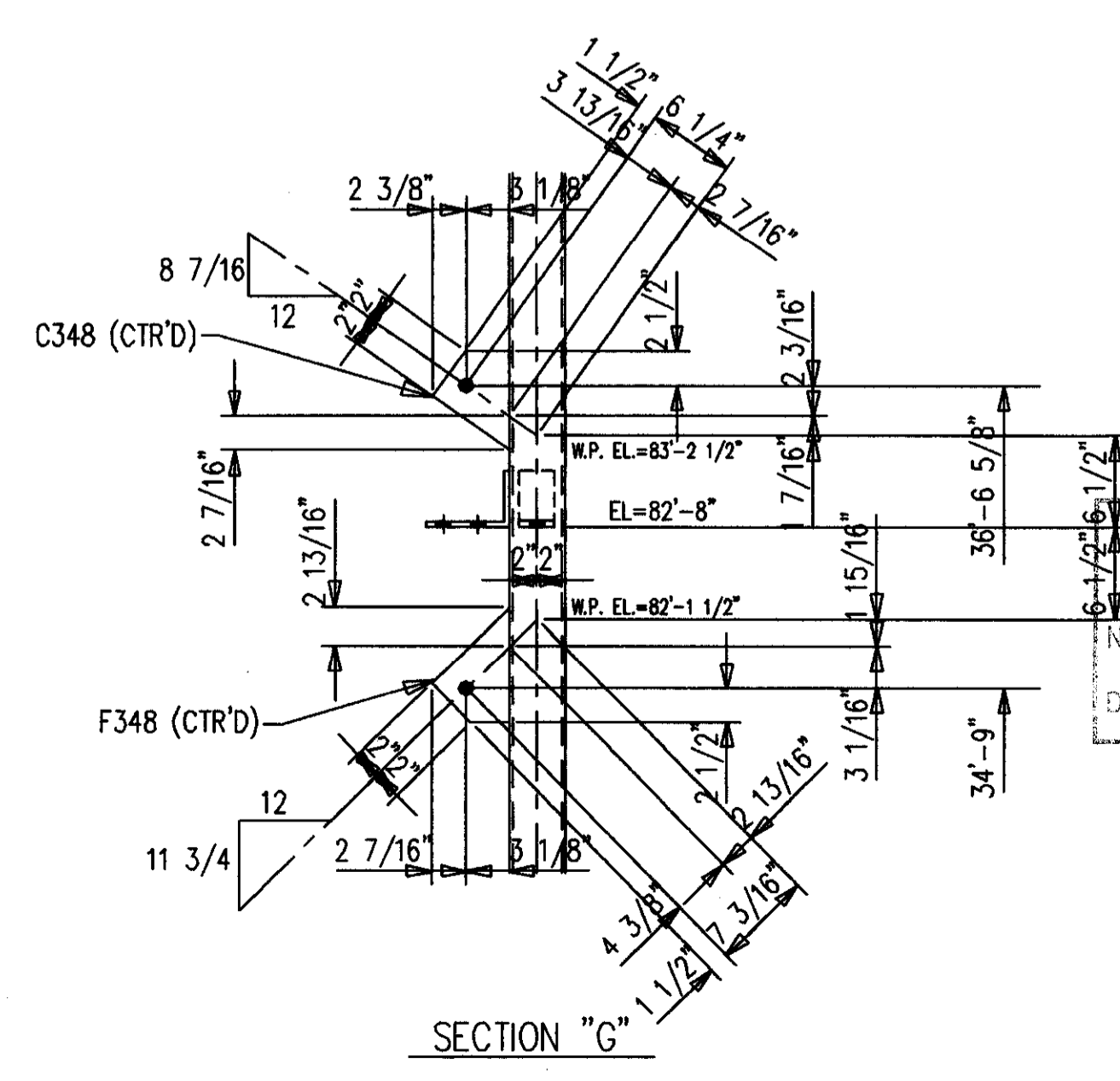
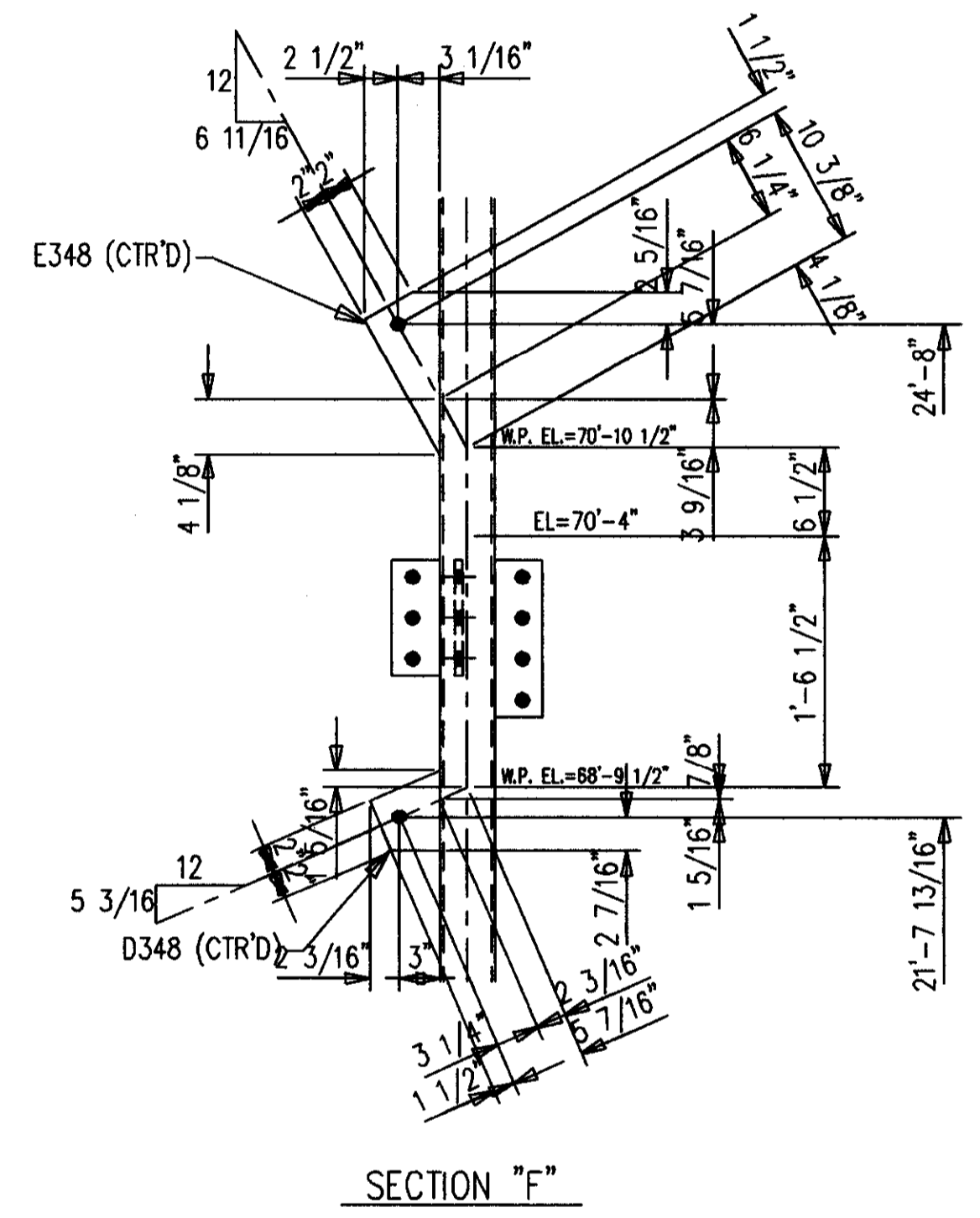
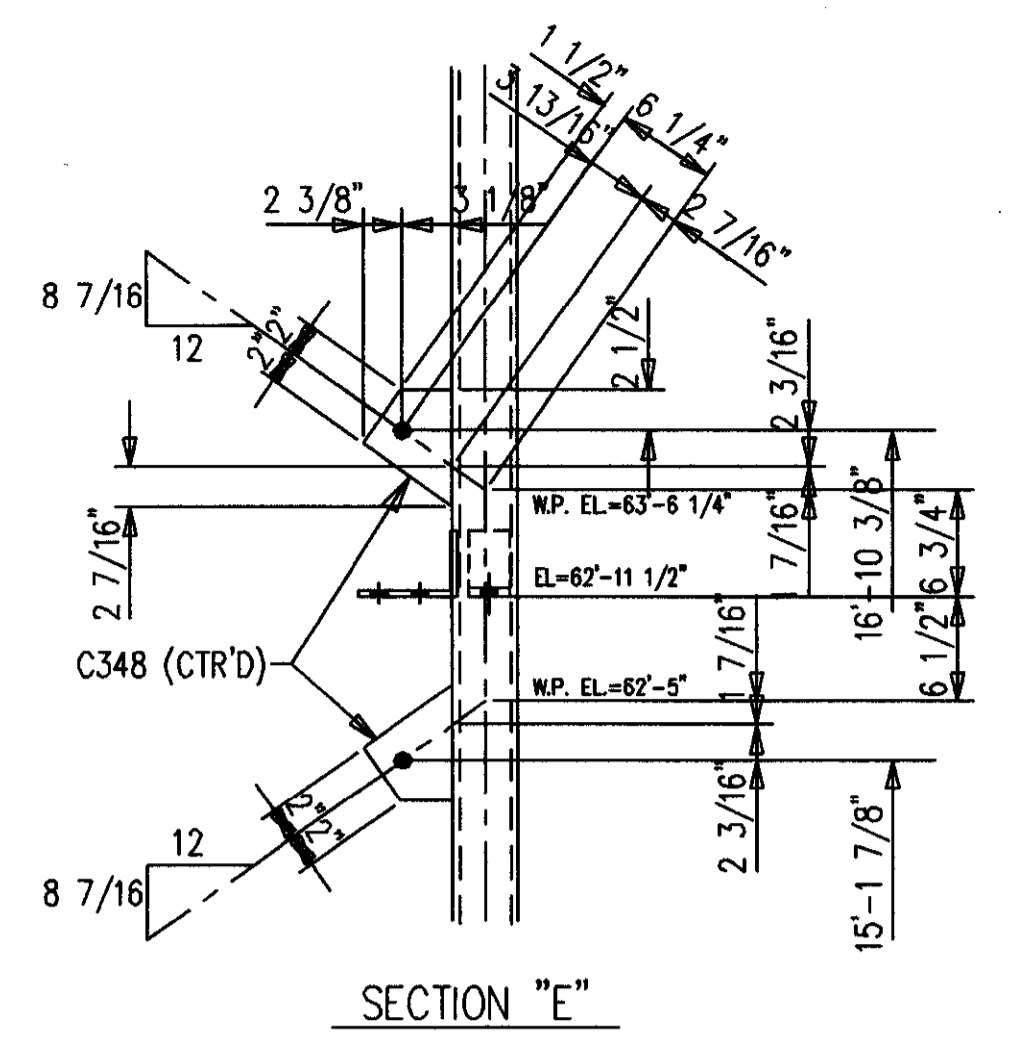
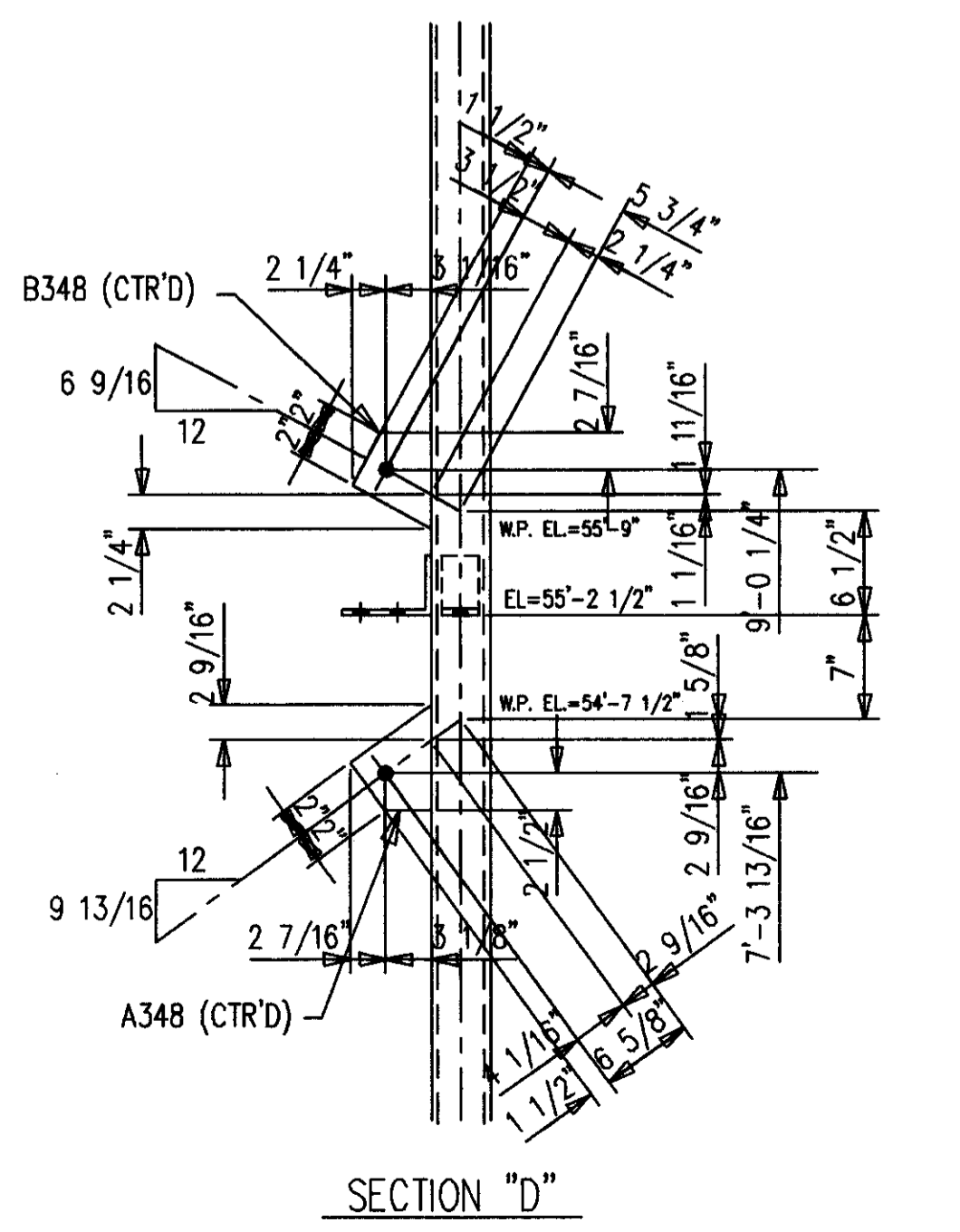
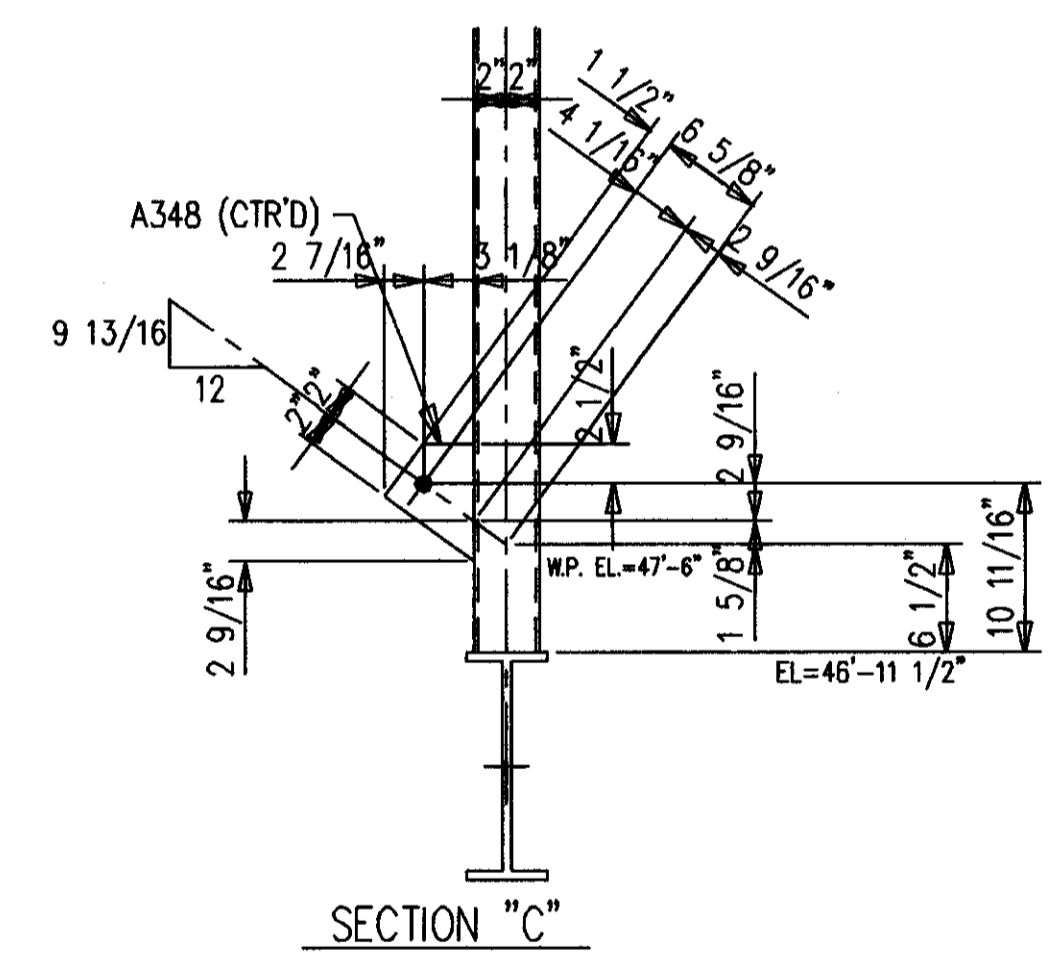
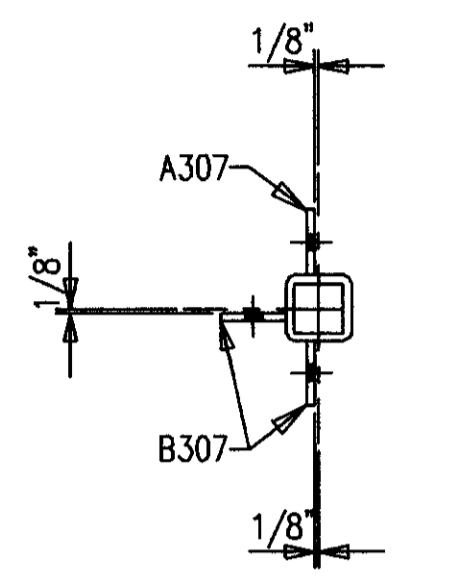
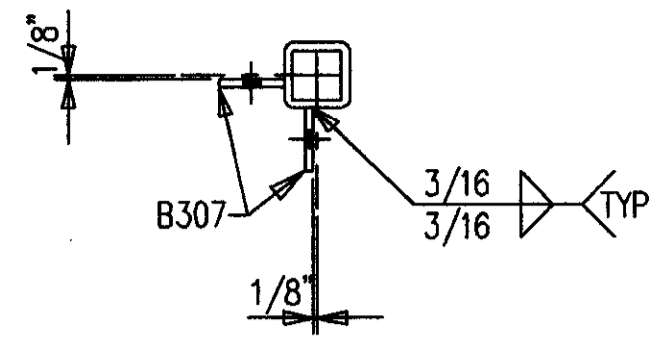
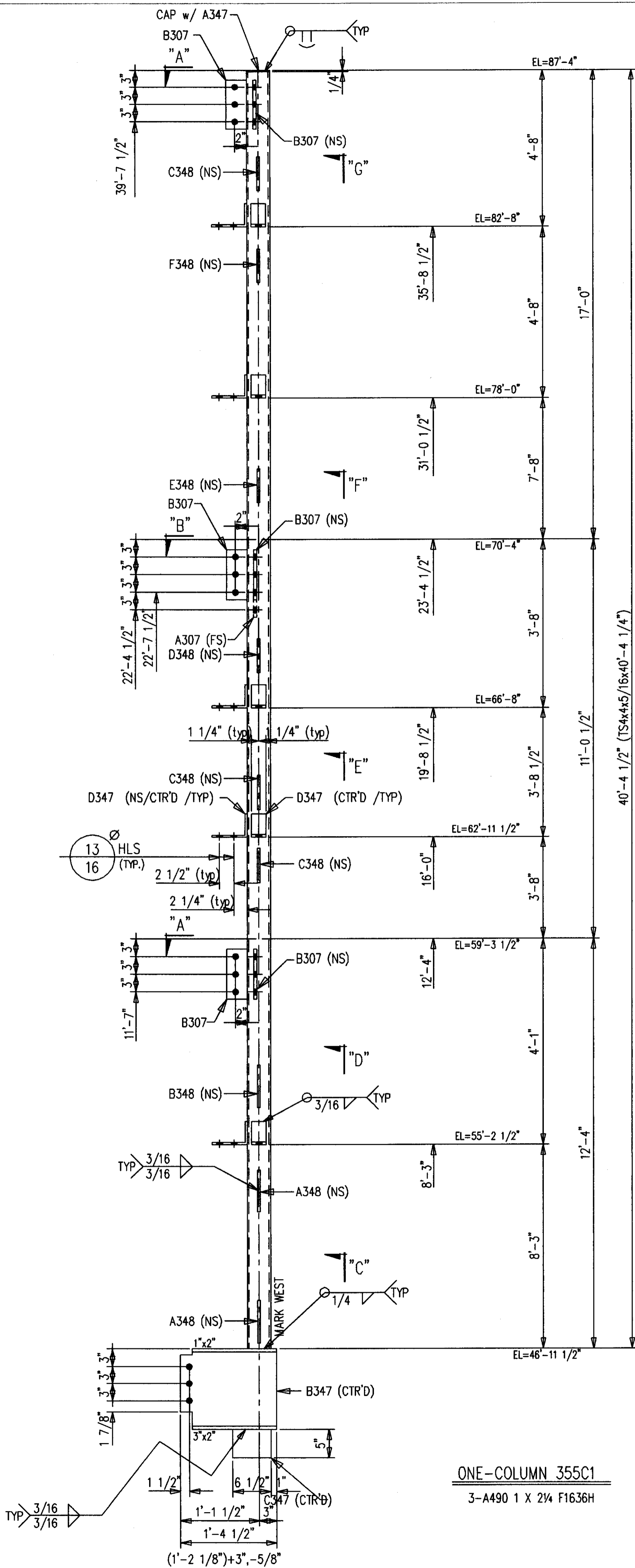
MID STATES STEEL PRODUCTS CO.  
P.O. BOX 11128-2044 BUCK LANE  
LEXINGTON, KENTUCKY 40511  
PHONE: 606-233-4344 FAX: 606-233-4346

ORDER NO. P3524  
SHEET NO. 354

**BILL OF MATERIAL**

SHIP MARK SUB MARK	NO. PCS.	DESCRIPTION	LENGTH		REMARKS
			FT.	IN.	
355C1	ONE	COVER COLUMN			
355C1	1	TS4X4X5/16	40	4-1/4	SC2E
A307	1	FB1/2X4	1	0	P
A347	1	FB1/4X4	0	4	
A348	2	PL3/8X5-9/16	0	7-5/8	P
B307	6	FB1/2X4	0	9	P
B347	1	W14X26 A572	1	4-1/2	P
B348	1	PL3/8X5-5/16	0	6-3/8	P
C347	1	FB3/8X5	0	6-1/2	
C348	3	PL3/8X5-1/2	0	7-1/8	P
D347	10	L6X4X5/16	0	2-1/2	P
D348	1	PL3/8X5-3/16	0	5-1/16	P
E348	1	PL3/8X5-9/16	0	11-7/8	P
F348	1	PL3/8X5-9/16	0	8-3/8	P

FIELD BOLTS					
F1636H	4	A490 1X2-1/4			
F161W	4	A LOAD IND 1			



SHOP NOTE:  
ALL STEEL GETS PRIMER ONLY

**AS BUILT**  
NAME: *Walter P. Moore*  
DATE: **AUG 16 1999**

ALL RE-ENTRANT CUTS MIN. 1/2" RAD. U/N		WELD ELECTRODE U/N E70XX		CHECKED BY <b>GCL</b>		CONTRACTOR <b>TURNER CONSTRUCTION COMPANY</b>	
ALL A325 BOLTS W/ONE HARD WASH. AND HVY HEX NUT		SHOP PAINT SEE SPECS		DATE 1/99		ENGINEER <b>WALTER P. MOORE</b>	
ALL A307 BOLTS W/HEX NUT		DATE		APP		FIELD	
DATE		APP		SHOP		FIELD	

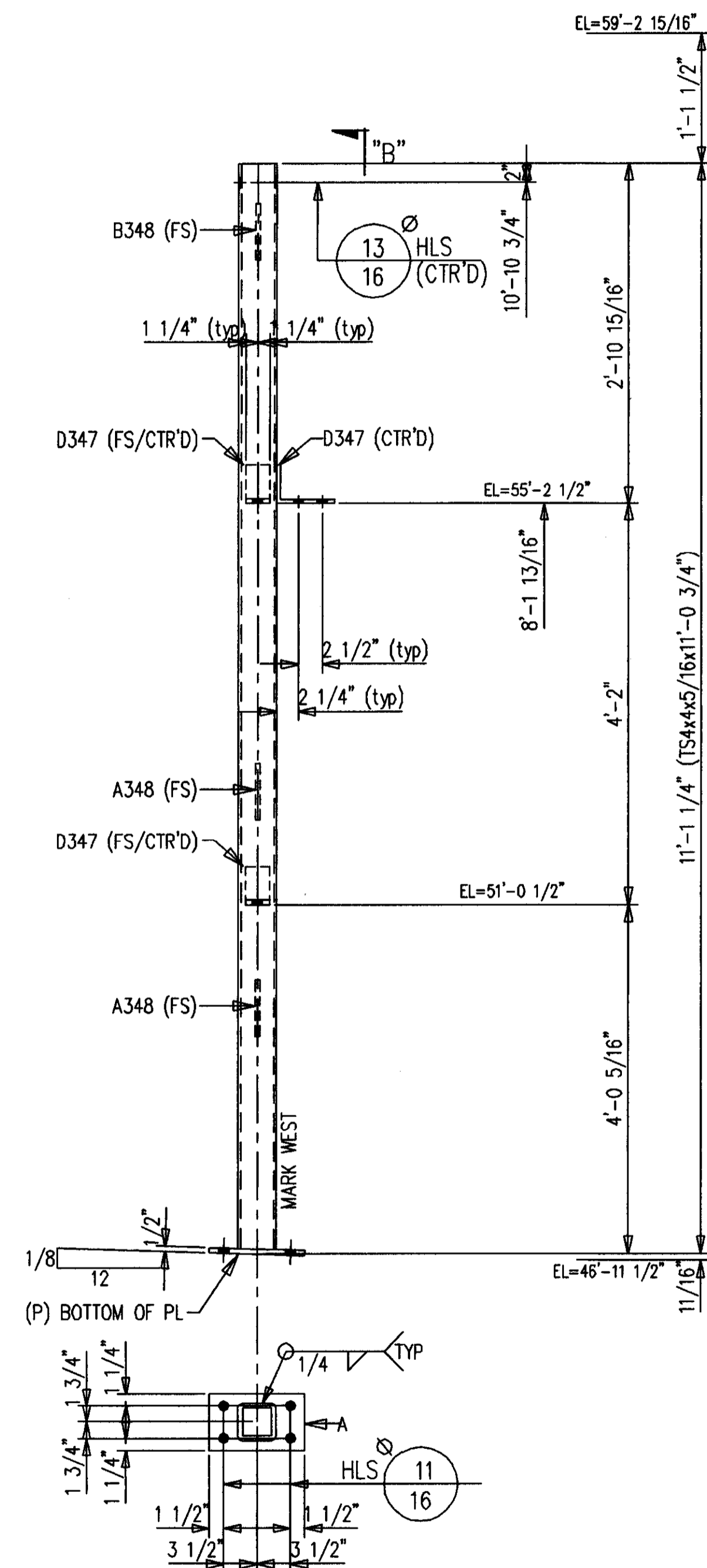
DRAWING TITLE: **SCOREBOARD COLUMN COVER TUBE COLUMN**

MID STATES STEEL PRODUCTS CO.  
P.O. BOX 11128-2044 BUCK LANE  
LEXINGTON, KENTUCKY 40511  
PHONE: 606-233-4344 FAX: 606-233-4346  
FABRICATORS OF STRUCTURAL AND MISCELLANEOUS STEEL

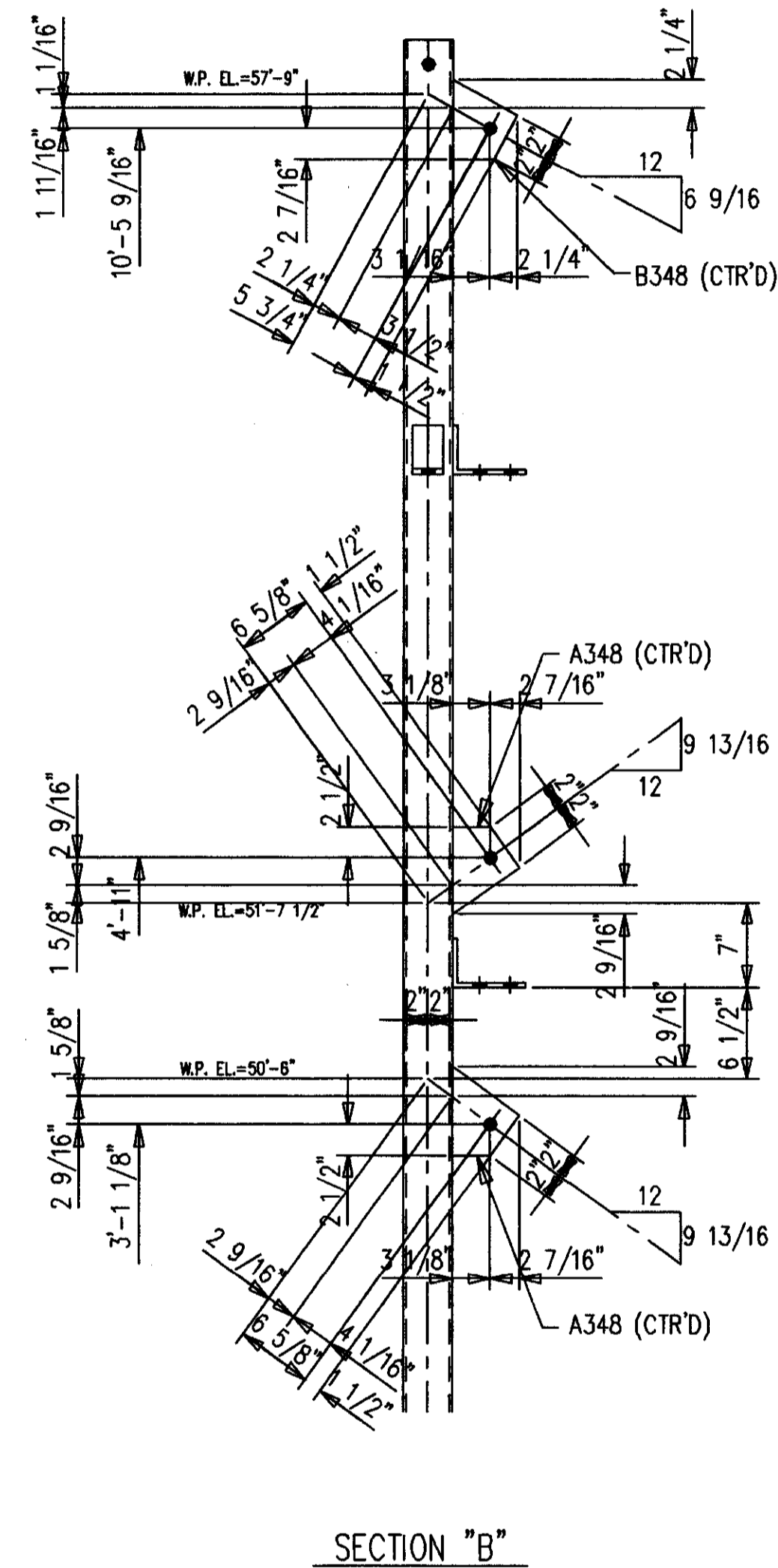
ORDER NO. **P3524**  
SHEET NO. **355**

**BILL OF MATERIAL**

SHIP MARK SUB MARK	NO. PCS.	DESCRIPTION	LENGTH		CL UNITS	REMARKS
			FT.	IN.		
356C1	ONE	COVER COLUMN				
356C1	1	TS4X4X5/16	11	0-3/4		BC1E/P
A348	2	PL3/8X5-9/16	0	7-5/8		P
A349	1	FB1/2X6	0	10		P
B348	1	PL3/8X5-5/16	0	6-3/8		P
D347	3	L6X4X5/16	0	2-1/2		P
		<b>FIELD BOLTS</b>				
F1032A	5	A325 5/8X2				
F1011W	5	A LOAD IND 5/8				
F1292M	2	A307 3/4X5-3/4				



**ONE-COLUMN 356C3**  
4-A325 5/8 X 2 F1032A  
1-A307 3/4 X 5 3/4 F1292M



**SECTION "B"**

**SHOP NOTE:**  
ALL STEEL GETS PRIMER ONLY

**AS BUILT**  
NAME: *M. Hughes*  
DATE: **AUG 16 1999**

ALL RE-ENTRANT CUTS MIN. 1/2" RAD. U/N				WELD ELECTRODE E70XX		CHECKED BY GCL		CONTRACTOR TURNER CONSTRUCTION COMPANY	
ALL A325 BOLTS W/ONE HARD WASH. AND HVY HEX NUT				SHOP PAINT SEE SPECS		DATE 1/99		ENGINEER WALTER P. MOORE	
ALL A307 BOLTS W/HEX NUT				DATE		APP		SHOP	
DATE				APP		SHOP		FIELD	

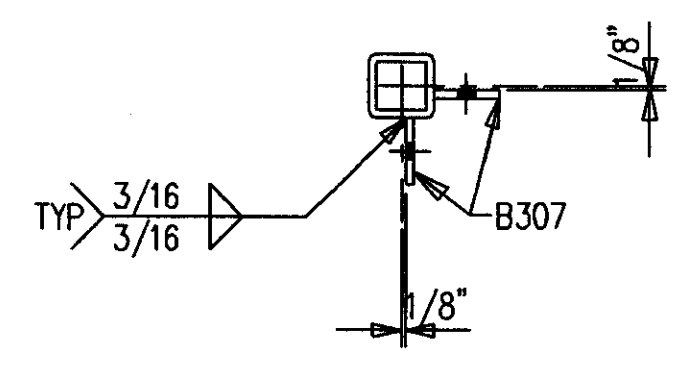
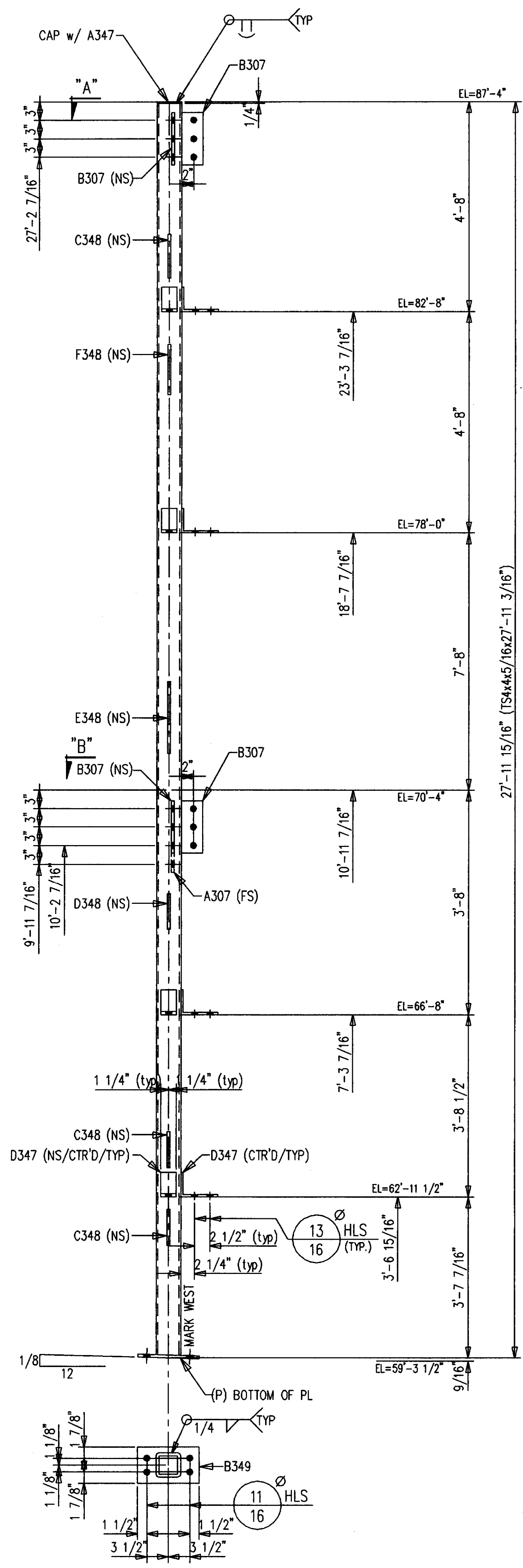
**MID STATES STEEL PRODUCTS CO.**  
 FABRICATORS OF STRUCTURAL AND MISCELLANEOUS STEEL

P.O. BOX 11128-2044 BUCK LANE LEXINGTON, KENTUCKY 40511 PHONE: 606-233-4344 FAX: 606-233-4346	ORDER NO. <b>P3524</b> SHEET NO. <b>356</b>
--	--

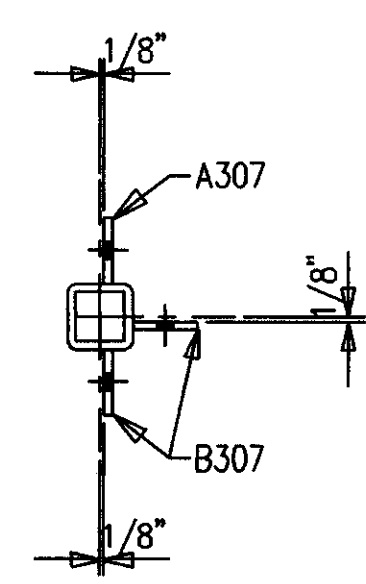
Cab # 206  
 Sheet # B-1  
 Document # 34732

BILL OF MATERIAL

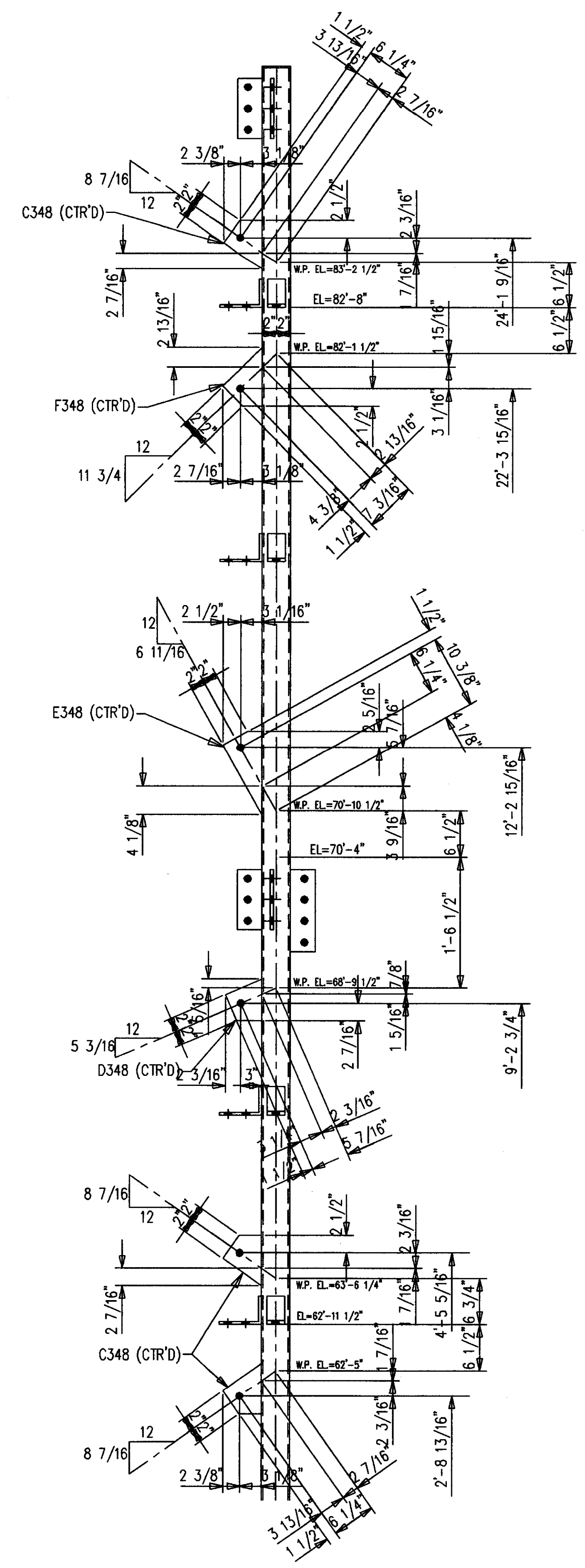
SHIP MARK SUB MARK	NO. PCS.	DESCRIPTION	LENGTH		CL UNIT	REMARKS
			FT.	IN.		
357C1	ONE	COVER COLUMN				
357C1	1	TS4X4X5/16	27	11-3/16		BC1E/SC1E
A307	1	FB1/2X4	1	0		P
A347	1	FB1/4X4	0	4		
B307	4	FB1/2X4	0	9		P
B349	1	FB1/2X6	0	10		P
C348	3	PL3/8X5-1/2	0	7-1/8		P
D347	8	L6X4X5/16	0	2-1/2		P
D348	1	PL3/8X5-3/16	0	5-1/16		P
E348	1	PL3/8X5-9/16	0	11-7/8		P
F348	1	PL3/8X5-9/16	0	8-3/8		P
FIELD BOLTS						
F1032A	5	A325 5/8X2				
F10LIW	5	A LOAD IND 5/8				



SECTION "A"



SECTION "B"



**AS BUILT**  
NAME: *Mark Hughes*  
DATE: **AUG 16 1999**

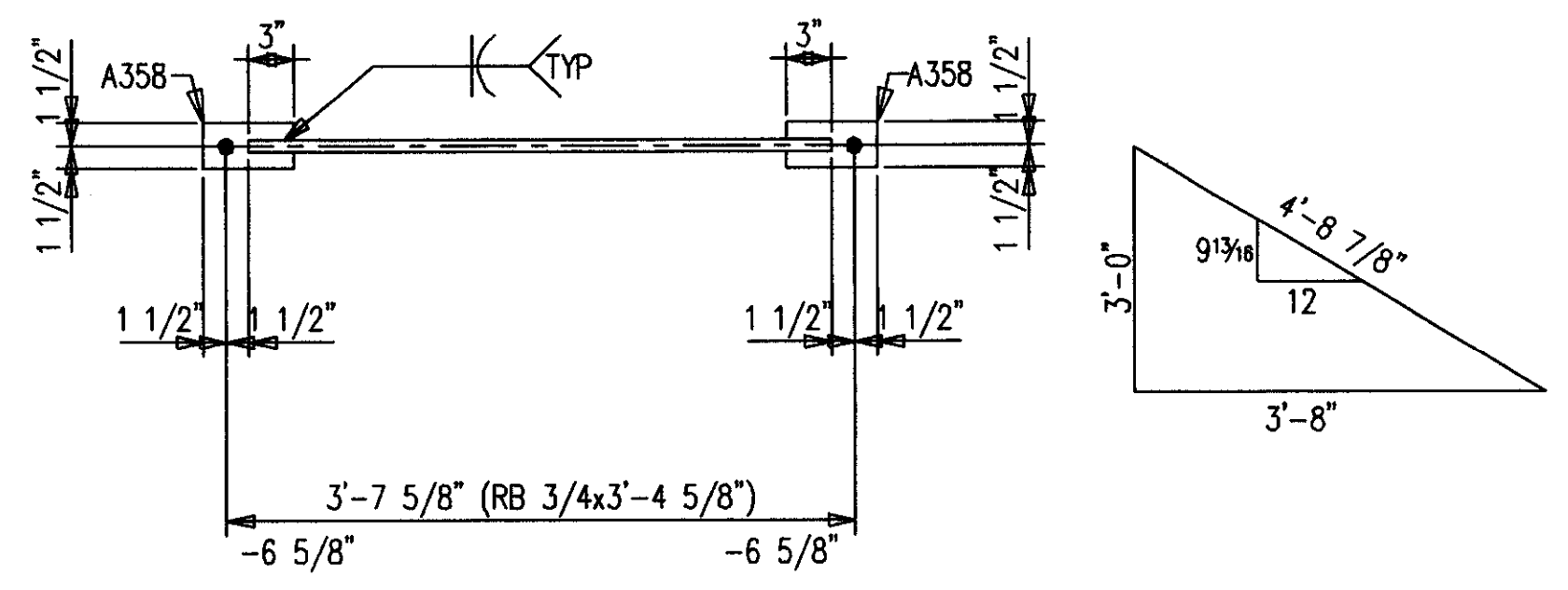
SHOP NOTE:  
ALL STEEL GETS PRIMER ONLY

ALL RE-ENTRANT CUTS MIN. 1/2" RAD. U/N	WELD ELECTRODE U/N E70XX	CHECKED BY DATE 1/99	CONTRACTOR TURNER CONSTRUCTION COMPANY
ALL A325 BOLTS w/ONE HARD WASH. AND HVY HEX NUT	SHOP PAINT SEE SPECS	ENGINEER WALTER P. MOORE	
ALL A307 BOLTS w/HEX NUT	DRAWING TITLE: SCOREBOARD COLUMN COVER TUBE COLUMN		
DATE	APP	SHOP	FIELD
P.O. BOX 11128-2044 BUCK LANE LEXINGTON, KENTUCKY 40511 PHONE: 606-233-4344 FAX: 606-233-4346			ORDER NO. <b>P3524</b>
MID STATES STEEL PRODUCTS CO. FABRICATORS OF STRUCTURAL AND MISCELLANEOUS STEEL			SHEET NO. <b>357</b>

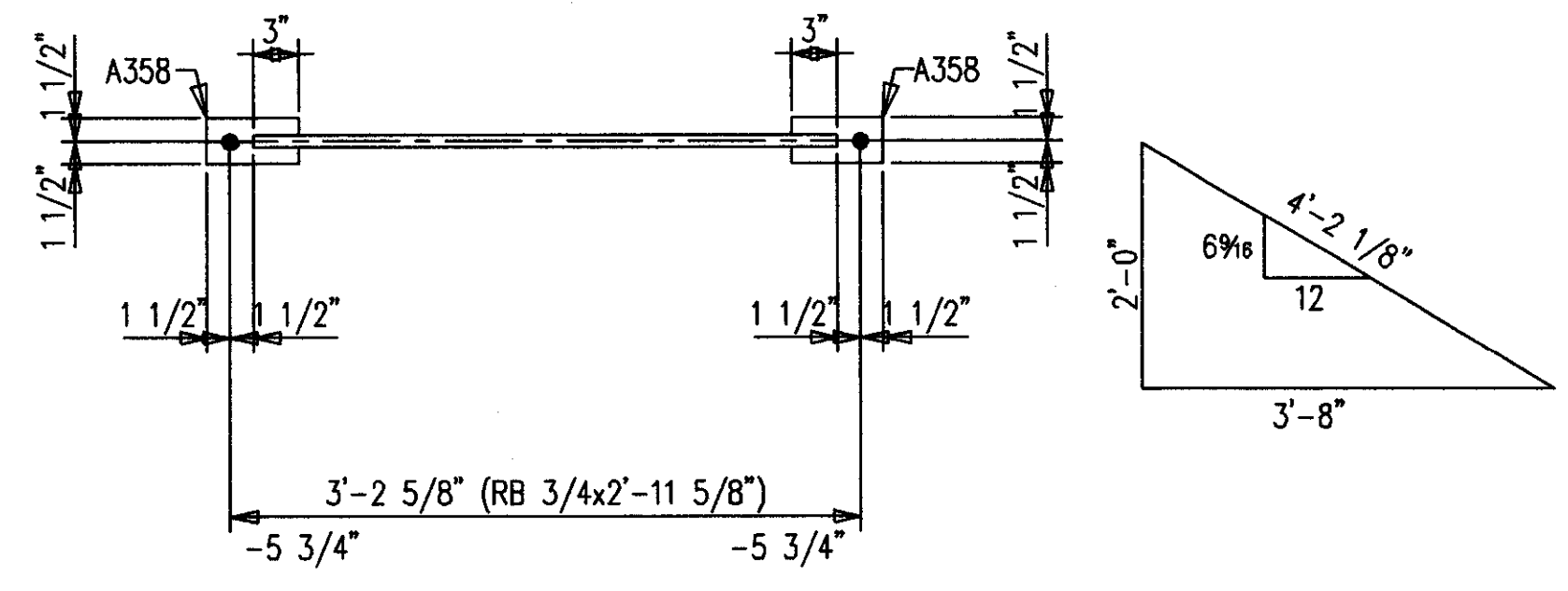
ONE-COLUMN 357C2  
4-A325 5/8 X 2 F1032A

BILL OF MATERIAL

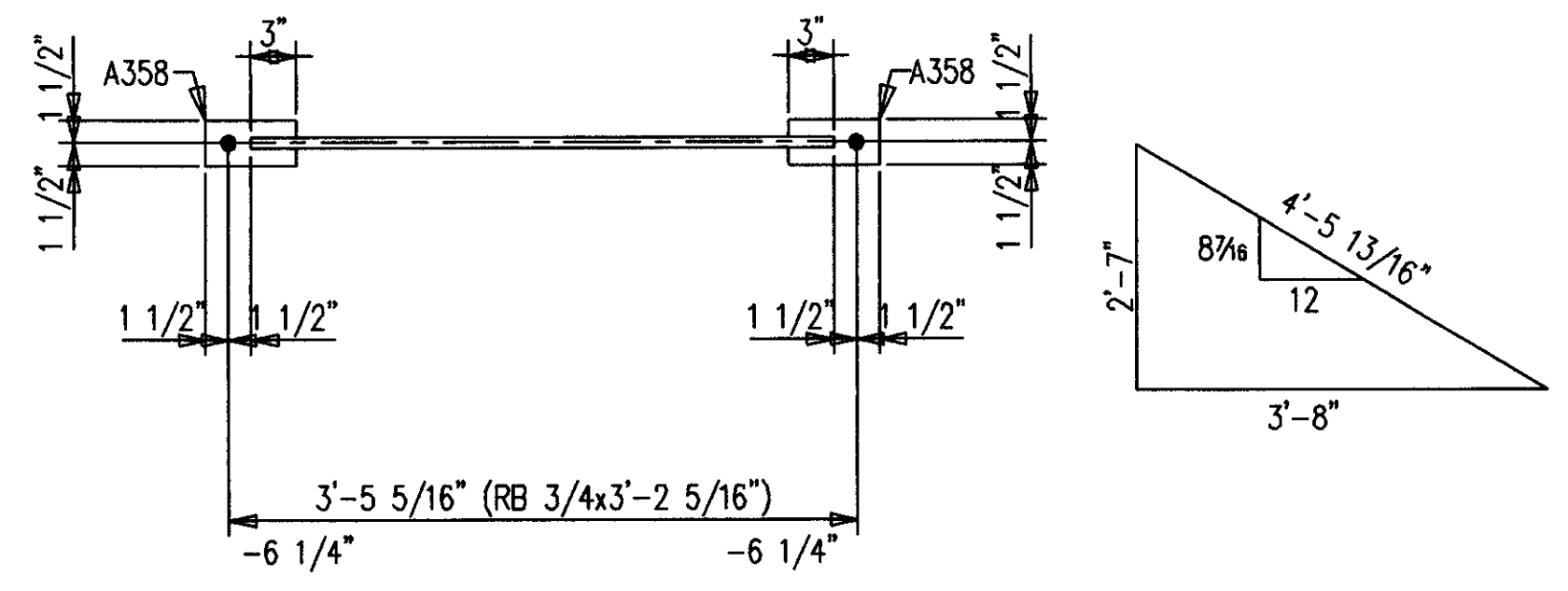
SHIP MARK SUB MARK	NO. PCS.	DESCRIPTION	LENGTH		CL U S T	REMARKS
			FT.	IN.		
358D1	4	DIAGONALS				
358D1	4	RB3/4	3	4-5/8		
A358	8	FB3/8X3	0	6		P
358D2	2	DIAGONALS				
358D2	2	RB3/4	2	11-5/8		
A358	4	FB3/8X3	0	6		P
358D3	6	DIAGONALS				
358D3	6	RB3/4	3	2-5/16		
A358	12	FB3/8X3	0	6		P
358D4	2	DIAGONALS				
358D4	2	RB3/4	2	10-1/16		
A358	4	FB3/8X3	0	6		P
358D5	2	DIAGONALS				
358D5	2	RB3/4	5	6-11/16		
A358	4	FB3/8X3	0	6		P
358D6	2	DIAGONALS				
358D6	2	RB3/4	3	8-1/8		
A358	4	FB3/8X3	0	6		P
		FIELD BOLTS				
F1636H	37	A490 1X2-1/4				
F16LIW	37	A LOAD IND 1				



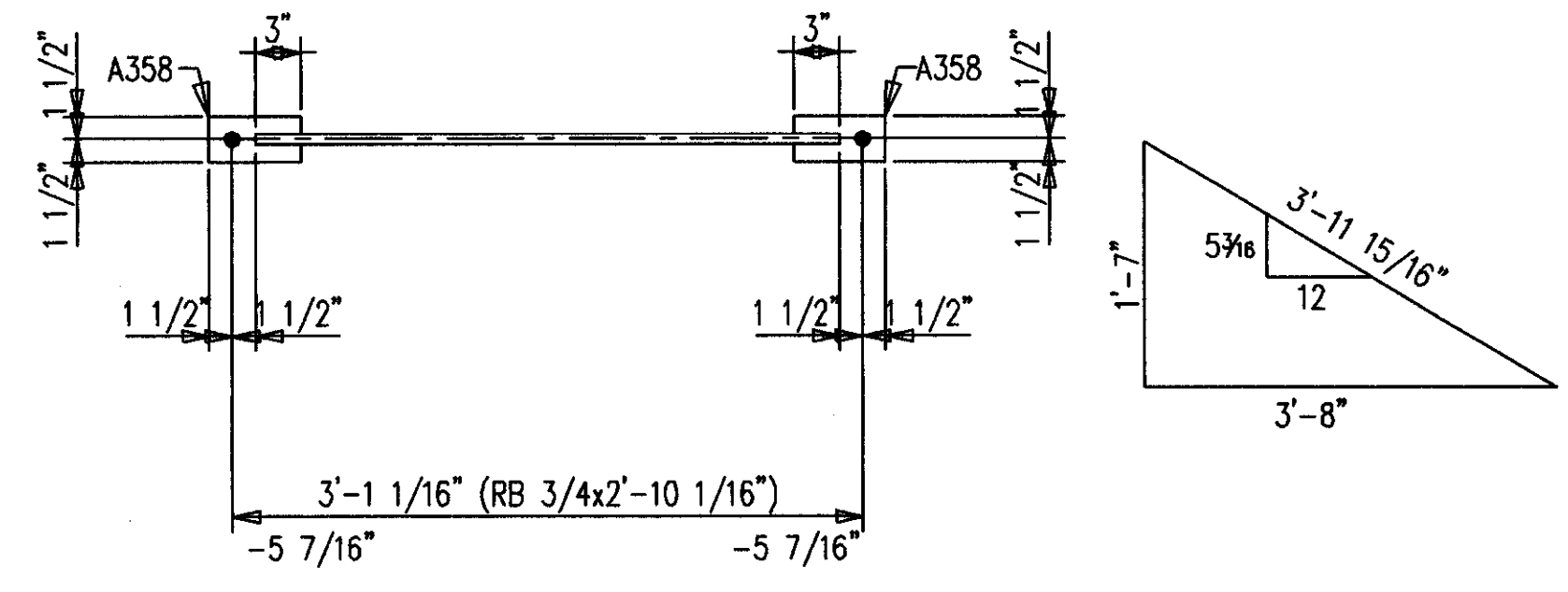
4-DIAGONALS 358D1  
16-A490 1 X 2 1/4 F1636H



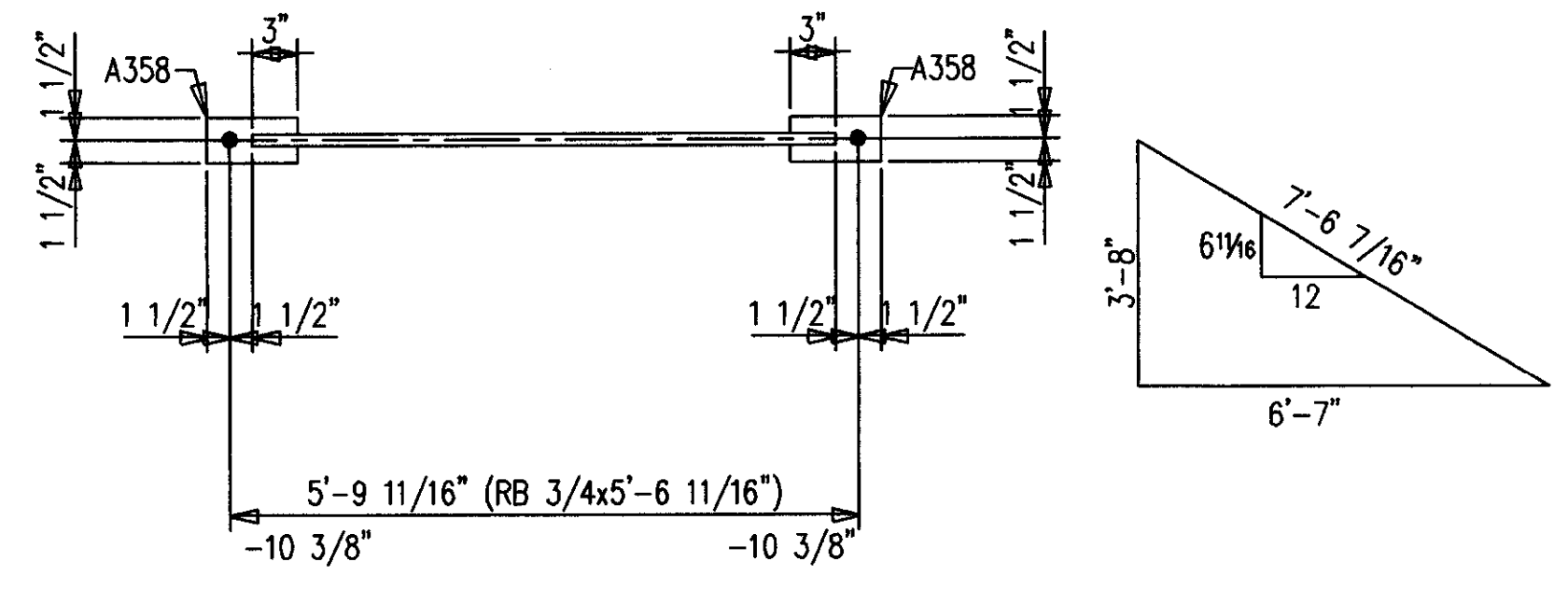
2-DIAGONALS 358D2  
4-A490 1 X 2 1/4 F1636H



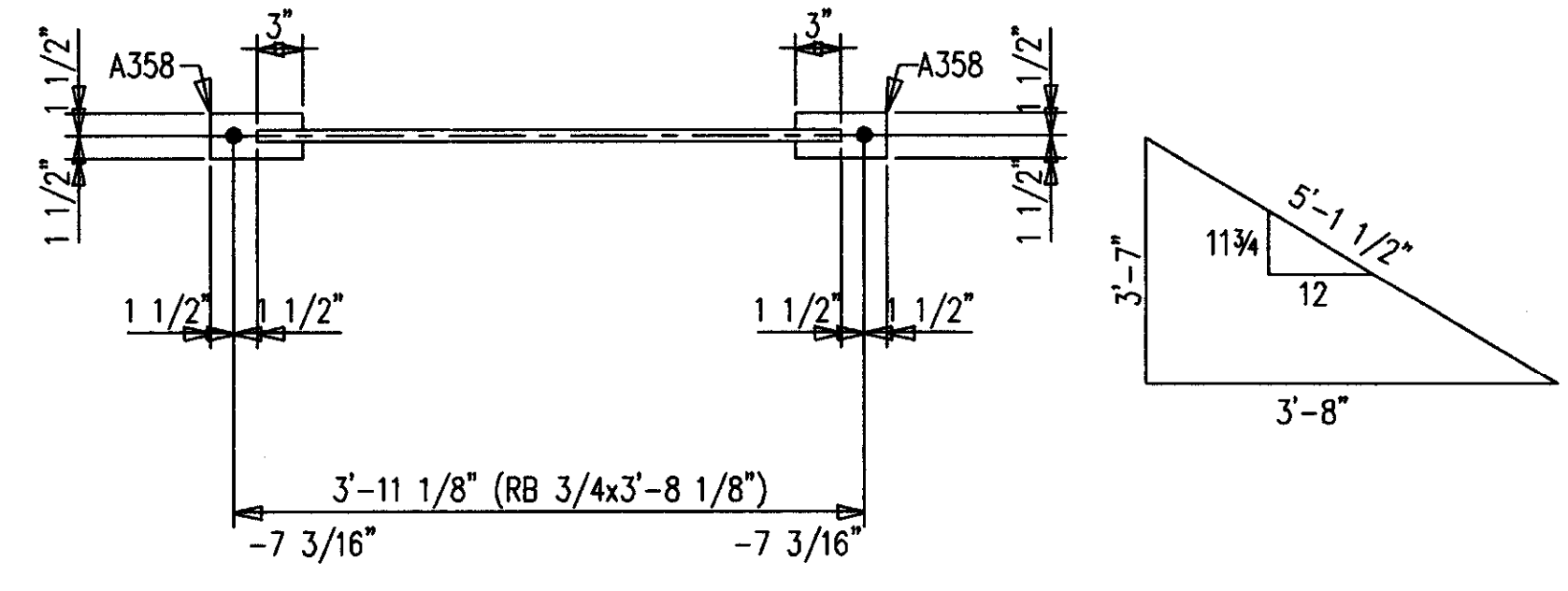
6-DIAGONALS 358D3  
12-A490 1 X 2 1/4 F1636H



2-DIAGONALS 358D4  
4-A490 1 X 2 1/4 F1636H



2-DIAGONALS 358D5  
4-A490 1 X 2 1/4 F1636H



2-DIAGONALS 358D6  
4-A490 1 X 2 1/4 F1636H

SHOP NOTE:  
ALL STEEL GETS PRIMER ONLY

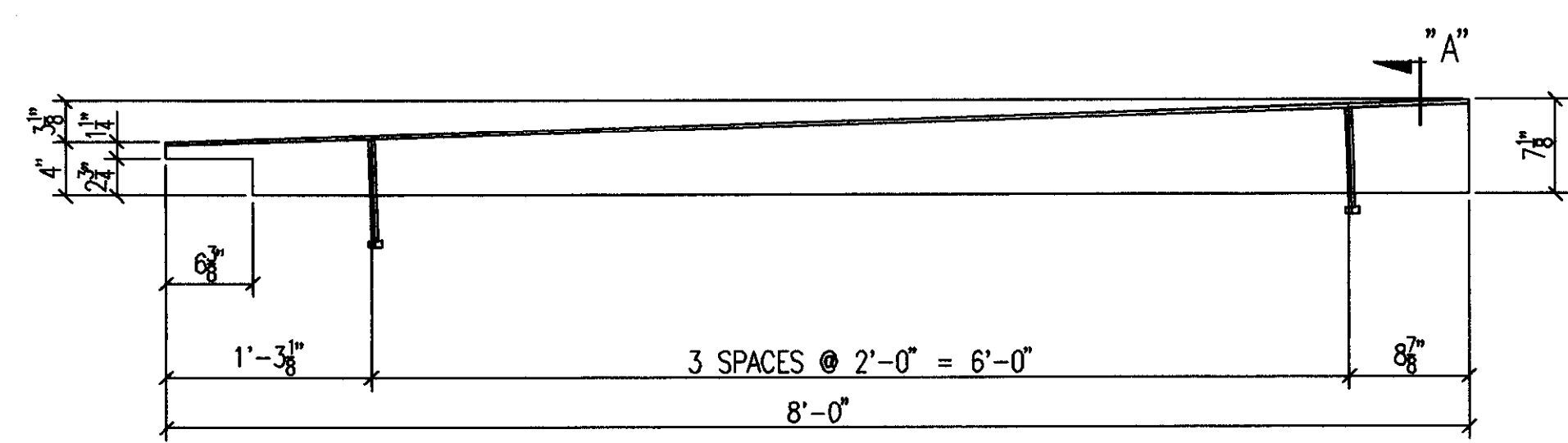
AS BUILT  
NAME: *W.P. Moore*  
DATE: AUG 16 1999

DATE	APP	SHOP	FIELD

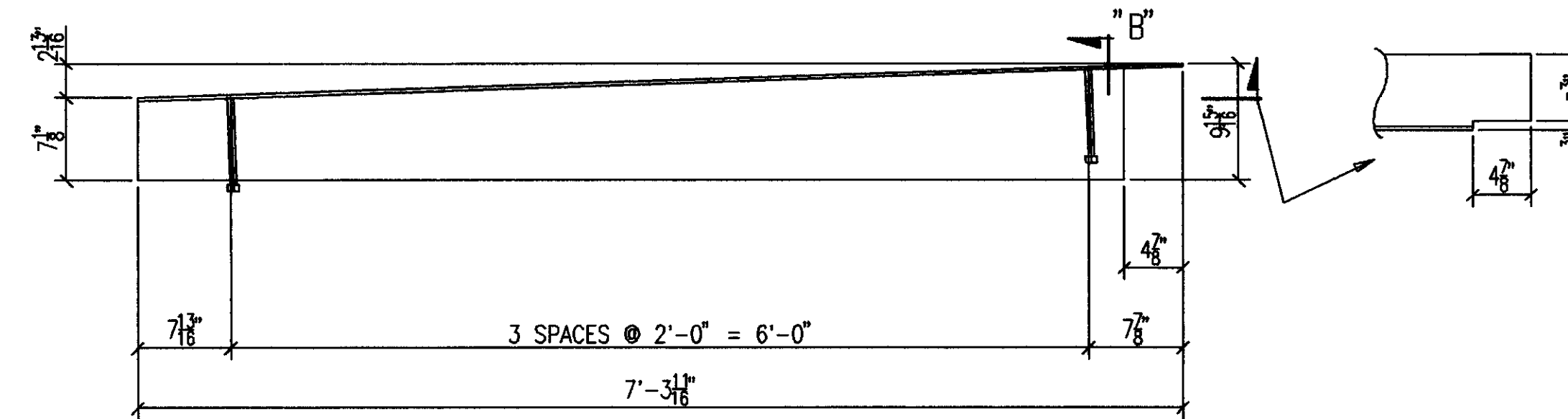
NO.	DATE	REVISION DESCRIPTION	DWN	CHKD
CONTRACTOR TO CHECK ALL DIMENSIONS AT JOB AS MID STATES STEEL PRODUCTS CO. ASSUMES NO RESPONSIBILITY FOR GENERAL BUILDING DIMENSIONS. NO BACK CHARGES PERTAINING TO THIS WORK WILL BE ACCEPTED WITHOUT PRIOR AUTHORIZATION BY MID STATES STEEL PRODUCTS CO.				
MATERIAL U/N	A36	DRAWN BY	DFD	JOB NAME
OPEN HOLES U/N	1 1/16" Ø	DATE	1/99	COMMONWEALTH STADIUM EXPANSION
WELD ELECTRODE U/N	E70XX	CHECKED BY	GCL	JOB LOCATION
SHOP PAINT	SEE SPECS	DATE	1/99	UNIVERSITY OF KENTUCKY
ALL A307 BOLTS w/HEX NUT		CONTRACTOR		
ALL A325 BOLTS w/ONE HARD WASH. AND HVY HEX NUT		TURNER CONSTRUCTION COMPANY		
ALL RE-ENTRANT CUTS MIN. 1/2" RAD. U/N		ENGINEER		
ALL A307 BOLTS w/HEX NUT		WALTER P. MOORE		
DRAWING TITLE				
SCOREBOARD COLUMN COVER ROD BRACING				
P.O. BOX 11128-2044 BUCK LANE LEXINGTON, KENTUCKY 40511 PHONE: 606-233-4344 FAX: 606-233-4346				ORDER NO.
MID STATES STEEL PRODUCTS CO. FABRICATORS OF STRUCTURAL AND MISCELLANEOUS STEEL				P3524
				SHEET NO.
				358

## BILL OF MATERIAL

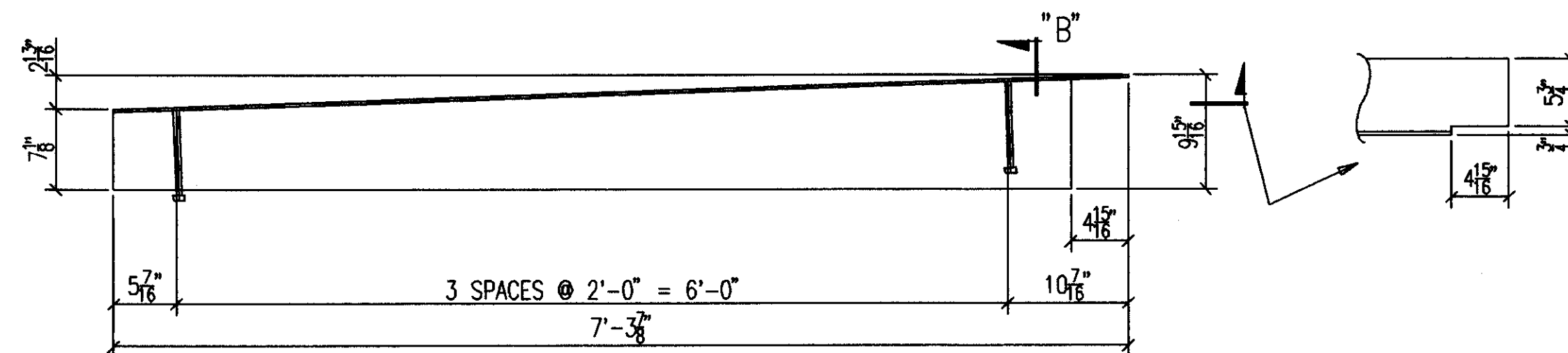
SHIP MARK SUB MARK	NO. PCS.	DESCRIPTION	LENGTH		C U S T	REMARKS
			FT.	IN.		
360M1 L	4	CURB PLATES				
360M1	4	PL1/4X13-1/8	8	0		BENT
S08128CA	16	A STUD 1/2X8				
360M1 R	4	CURB PLATES				
360M1	4	PL1/4X13-1/8	8	0		BENT
S08128CA	16	A STUD 1/2X8				
360M2 L	2	CURB PLATES				
360M2	2	PL1/4X15-15/16	7	3-7/8		BENT
S08128CA	8	A STUD 1/2X8				
360M2 R	2	CURB PLATES				
360M2	2	PL1/4X15-15/16	7	3-7/8		BENT
S08128CA	8	A STUD 1/2X8				
360M3 L	3	CURB PLATES				
360M3	3	PL1/4X15-15/16	8	0		BENT
S08128CA	12	A STUD 1/2X8				
360M3 R	3	CURB PLATES				
360M3	3	PL1/4X15-15/16	8	0		BENT
S08128CA	12	A STUD 1/2X8				
360M4 L	ONE	CURB PLATE				
360M4	1	PL1/4X12-13/16	7	4		BENT
S08128CA	4	A STUD 1/2X8				
360M4 R	ONE	CURB PLATE				
360M4	1	PL1/4X12-13/16	7	4		BENT
S08128CA	4	A STUD 1/2X8				
360M5 L	ONE	CURB PLATE				
360M5	1	PL1/4X15-15/16	7	3-11/16		BENT
S08128CA	4	A STUD 1/2X8				
360M5 R	ONE	CURB PLATE				
360M5	1	PL1/4X15-15/16	7	3-11/16		BENT
S08128CA	4	A STUD 1/2X8				
360M6 L	2	CURB PLATES				
360M6	2	PL1/4X12-13/16	7	3-13/16		BENT
S08128CA	8	A STUD 1/2X8				
360M6 R	2	CURB PLATES				
360M6	2	PL1/4X12-13/16	7	3-13/16		BENT
S08128CA	8	A STUD 1/2X8				
360M7 L	ONE	CURB PLATE				
360M7	1	PL1/4X16-5/16	8	4-1/16		BENT
S08128CA	4	A STUD 1/2X8				
360M7 R	ONE	CURB PLATE				
360M7	1	PL1/4X16-5/16	8	4-1/16		BENT
S08128CA	4	A STUD 1/2X8				



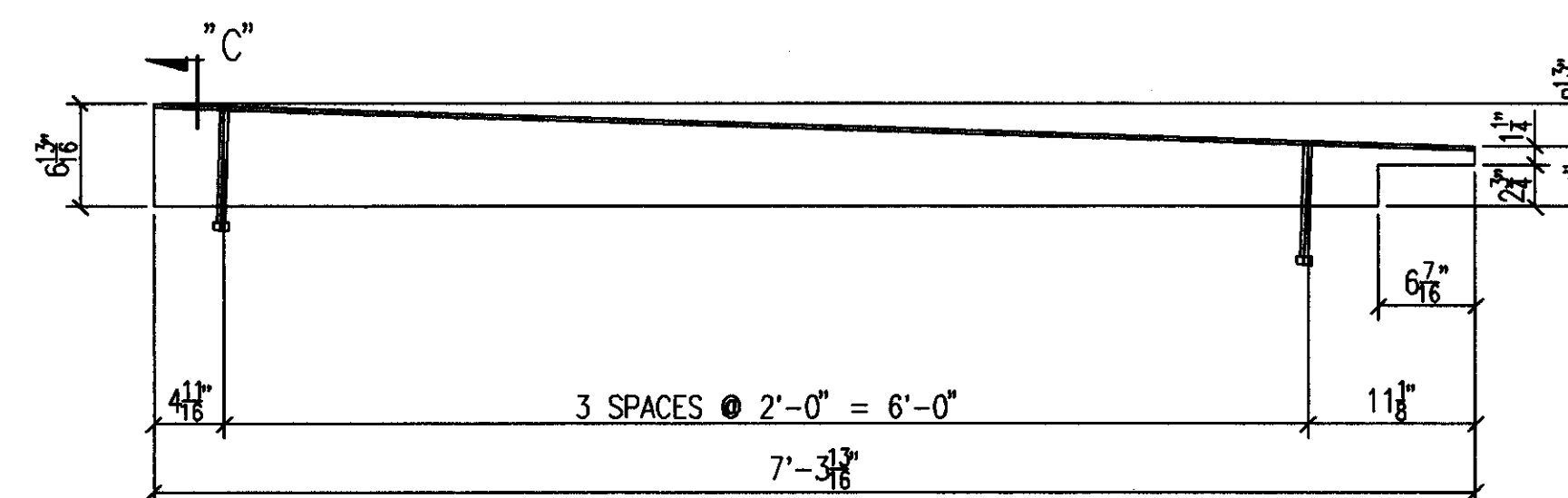
4-CURB PLATES 360M1 R [AS SHOWN]  
4-CURB PLATES 360M1 L [OPP HAND]



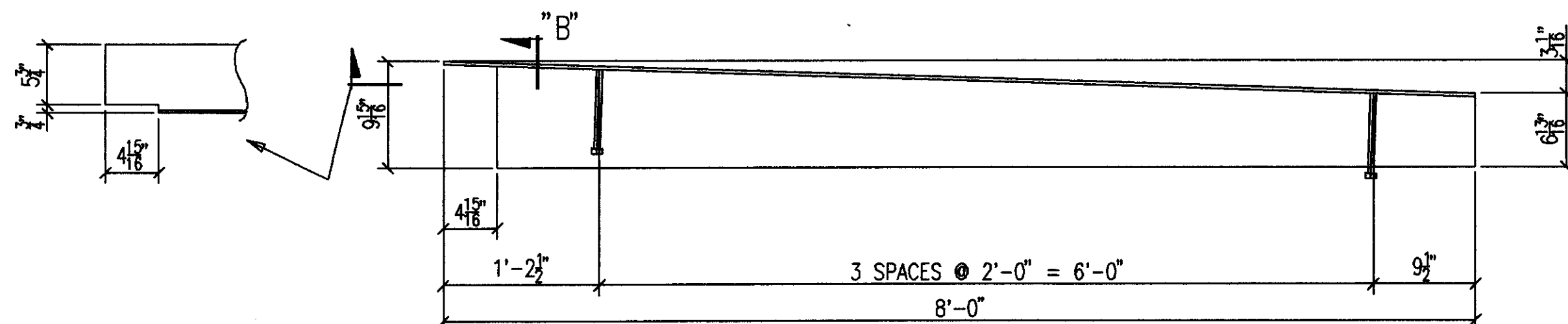
ONE-CURB PLATE 360M5 R [AS SHOWN]  
ONE-CURB PLATE 360M5 L [OPP HAND]



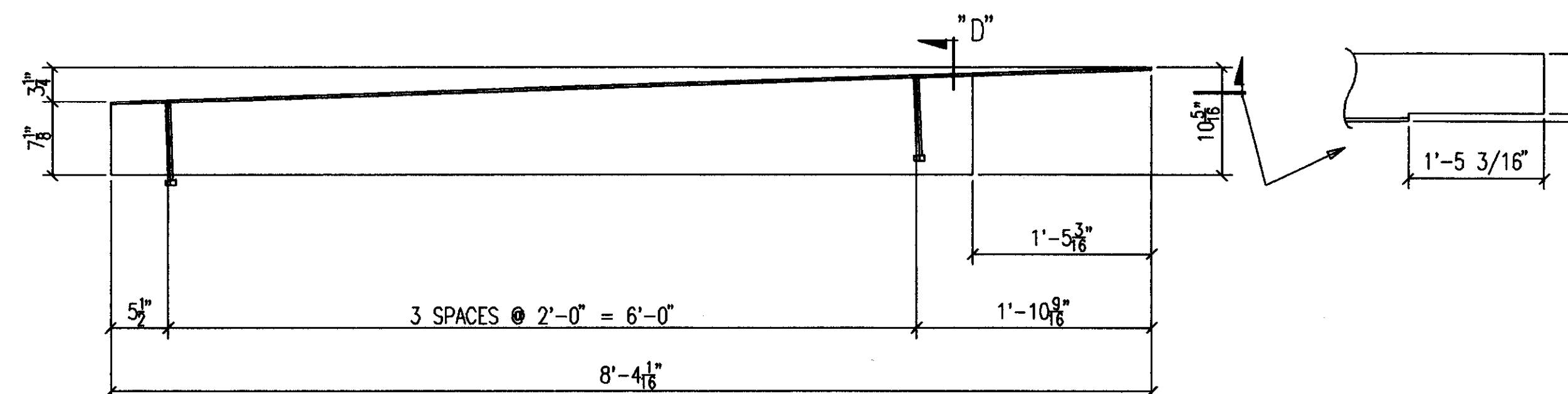
2-CURB PLATES 360M2 R [AS SHOWN]  
2-CURB PLATES 360M2 L [OPP HAND]



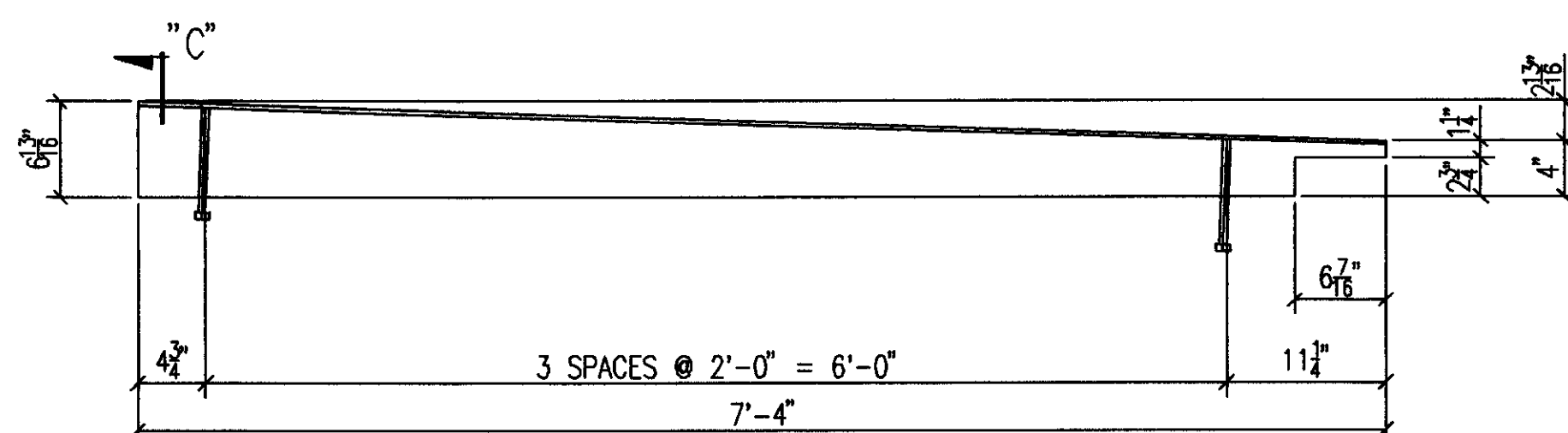
2-CURB PLATES 360M6 R [AS SHOWN]  
2-CURB PLATES 360M6 L [OPP HAND]



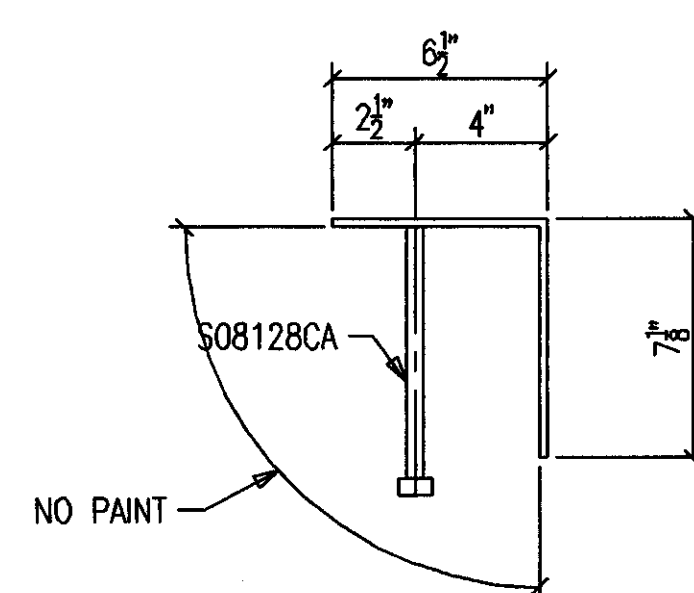
3-CURB PLATES 360M3 R [AS SHOWN]  
3-CURB PLATES 360M3 L [OPP HAND]



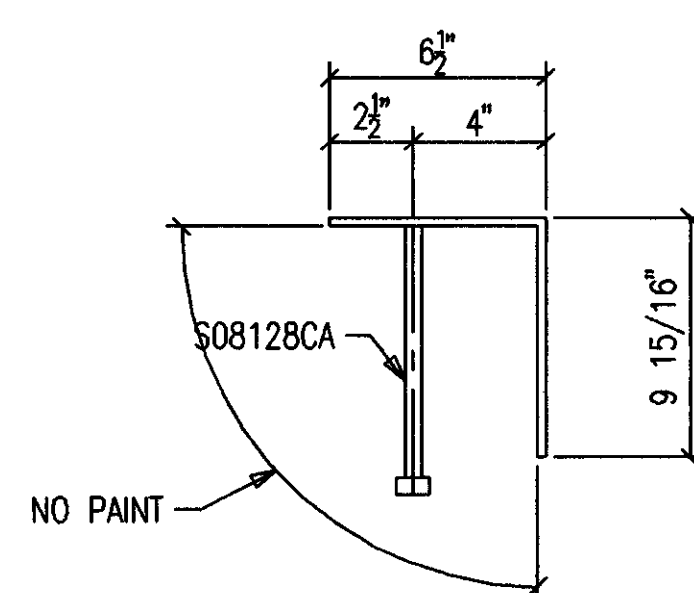
ONE-CURB PLATE 360M7 R [AS SHOWN]  
ONE-CURB PLATE 360M7 L [OPP HAND]



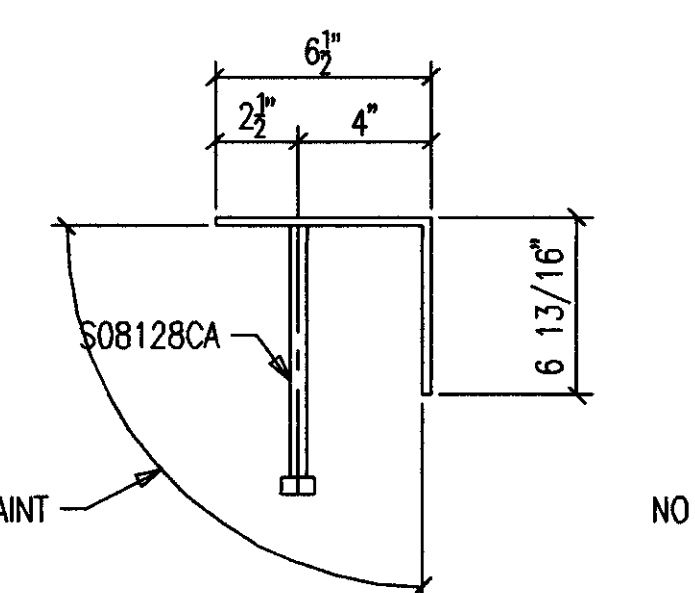
ONE-CURB PLATE 360M4 R [AS SHOWN]  
ONE-CURB PLATE 360M4 L [OPP HAND]



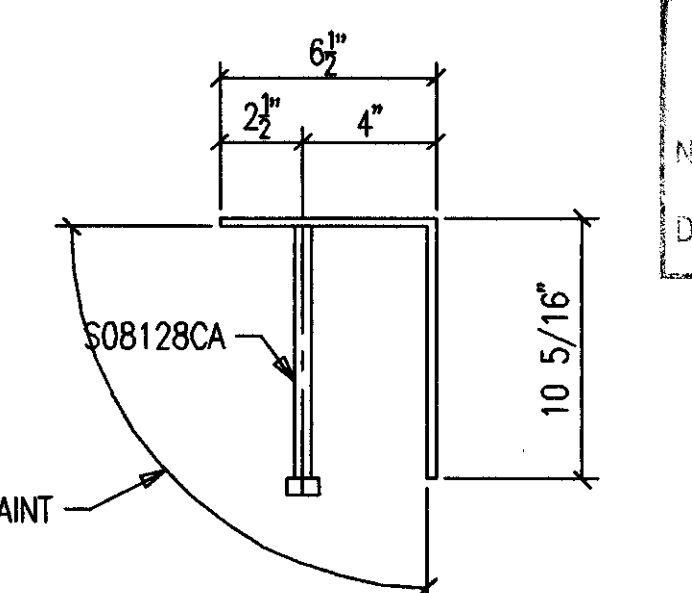
SECTION A



SECTION B



SECTION C



SECTION D

**AS BUILT**  
NAME: *W.P. Moore*  
DATE: AUG 16 1999

DATE	APP.	SHOP	FIELD

NO.	DATE	REVISION DESCRIPTION	BY	CHKD

CONTRACTOR TO CHECK ALL DIMENSIONS AT JOB AS MID STATES STEEL PRODUCTS CO. ASSUMES NO RESPONSIBILITY FOR GENERAL BUILDING DIMENSIONS. NO BACK CHARGES PERTAINING TO THIS WORK WILL BE ACCEPTED WITHOUT PRIOR AUTHORIZATION BY MID STATES STEEL PRODUCTS CO.			
MATERIAL U/N A36	DRWN BY U/N SC	JOB NAME COMMONWEALTH STADIUM EXPANSION	
OPEN HOLES U/N 13/16" ø	DATE 1/99	JOB LOCATION UNIVERSITY OF KENTUCKY	CHECKED BY CONTRACTOR TURNER CONSTRUCTION COMPANY
WELD ELECTRODE U/N E70XX	DATE SEE SPECS	ENGINEER WALTER P. MOORE	

DRAWING TITLE: CURB PLATES @ SUITE LEVEL

MID STATES STEEL PRODUCTS CO.  
FABRICATORS OF STRUCTURAL AND MISCELLANEOUS STEEL

2044 BUCK LANE  
LEXINGTON, KENTUCKY 40511  
PHONE: 606-233-4344 FAX: 606-233-4346

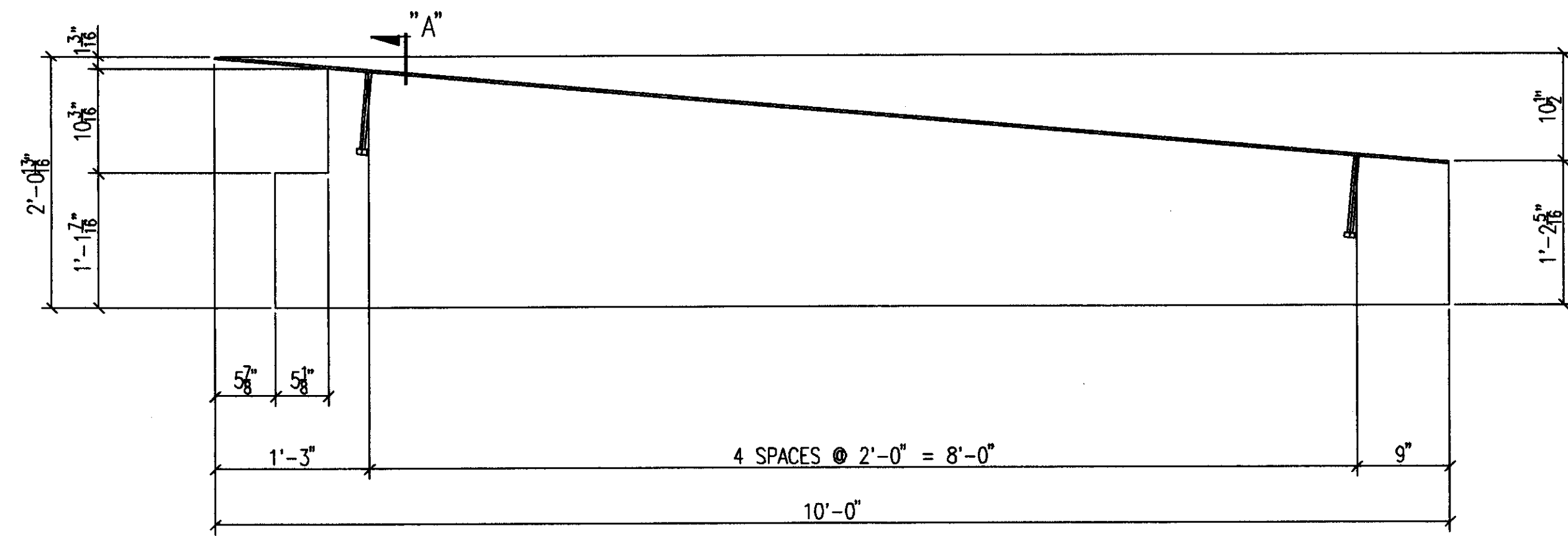
ORDER NO.  
P3524

SHEET NO.  
360

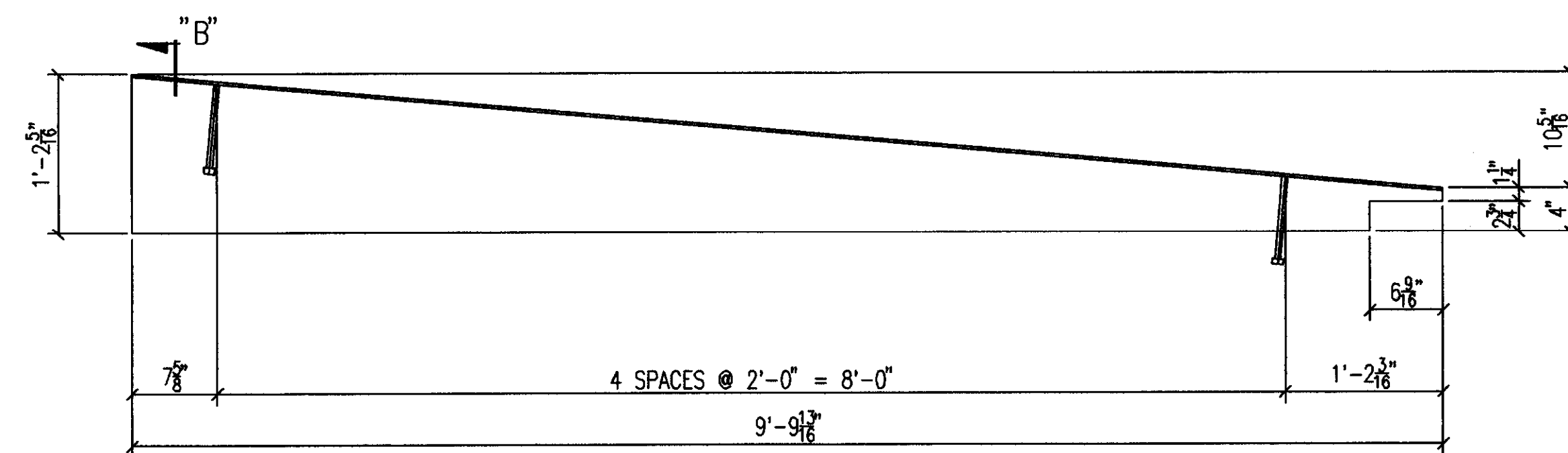
Document # 34735  
Sheet B-1  
206

BILL OF MATERIAL

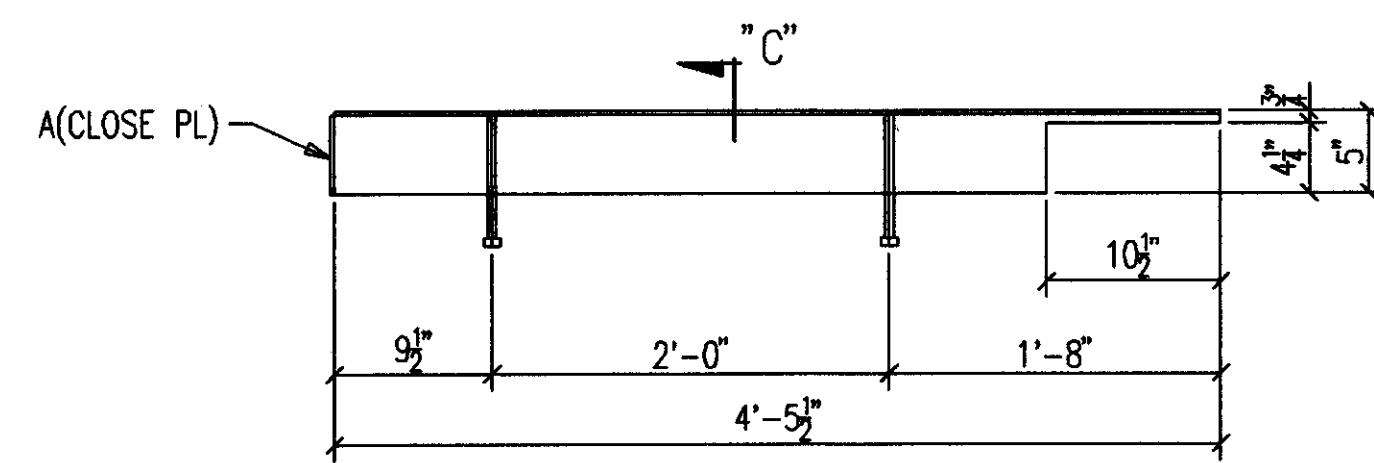
SHIP MARK SUB MARK	NO. PCS.	DESCRIPTION	LENGTH		CL LIST	REMARKS
			FT.	IN.		
361M1 L	ONE	CURB PLATE				
361M1	1	PL 1/4X30-13/16	10	0		BENT
S08128CA	5	A STUD 1/2X8				
361M1 R	ONE	CURB PLATE				
361M1	1	PL 1/4X30-13/16	10	0		BENT
S08128CA	5	A STUD 1/2X8				
361M2 L	ONE	CURB PLATE				
361M2	1	PL 1/4X20-5/16	9	9-13/16		BENT
S08128CA	5	A STUD 1/2X8				
361M2 R	ONE	CURB PLATE				
361M2	1	PL 1/4X20-5/16	9	9-13/16		BENT
S08128CA	5	A STUD 1/2X8				
361M3 L	ONE	CURB PLATE				
361M3	1	PL 1/4X11	4	5-1/2		BENT
A361	1	PL 1/4X4-3/4	0	6-1/4		
S08128CA	2	A STUD 1/2X8				
361M3 R	ONE	CURB PLATE				
361M3	1	PL 1/4X11	4	5-1/2		BENT
A361	1	PL 1/4X4-3/4	0	6-1/4		
S08128CA	2	A STUD 1/2X8				
361M4 R	ONE	CURB PLATE				
361M4	1	PL 1/4X6-1/2	3	10-1/4		
S08128CA	3	A STUD 1/2X8				
361M4 L	ONE	CURB PLATE				
361M4	1	PL 1/4X6-1/2	3	10-1/4		
S08128CA	3	A STUD 1/2X8				



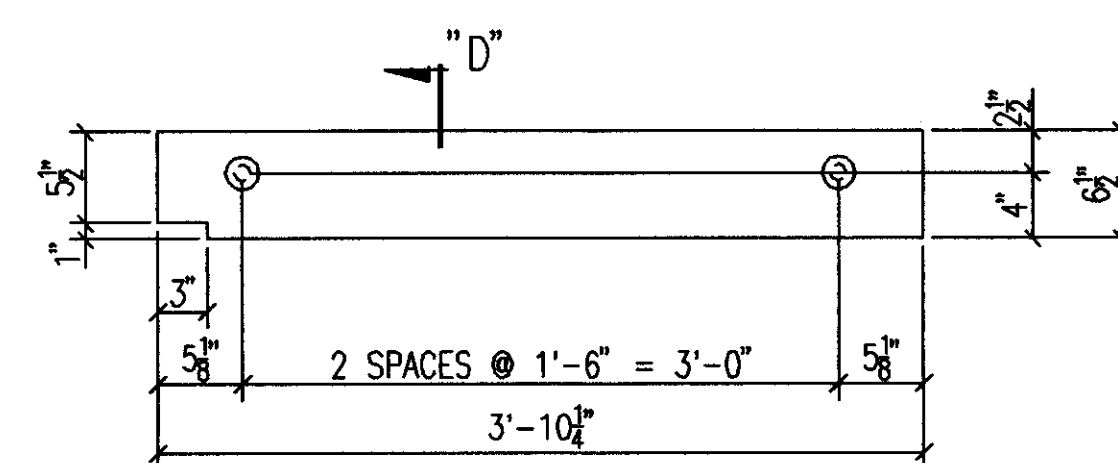
ONE-CURB PLATE 361M1 R [AS SHOWN]  
ONE-CURB PLATE 361M1 L [OPP HAND]



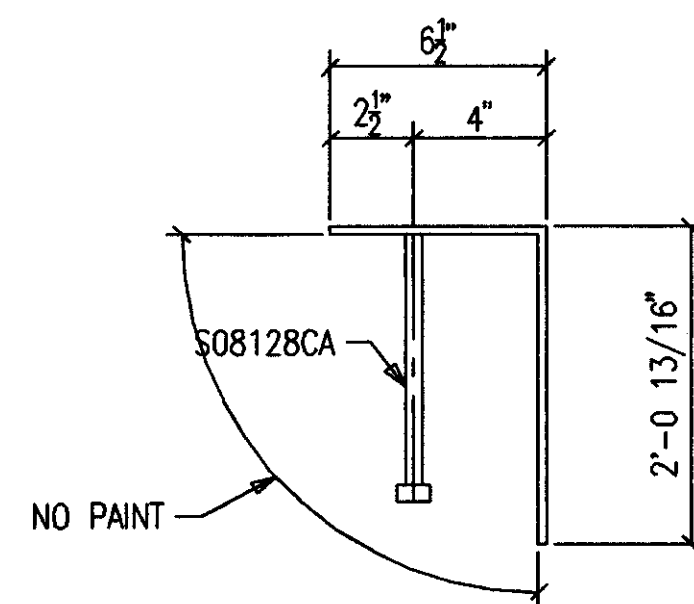
ONE-CURB PLATE 361M2 R [AS SHOWN]  
ONE-CURB PLATE 361M2 L [OPP HAND]



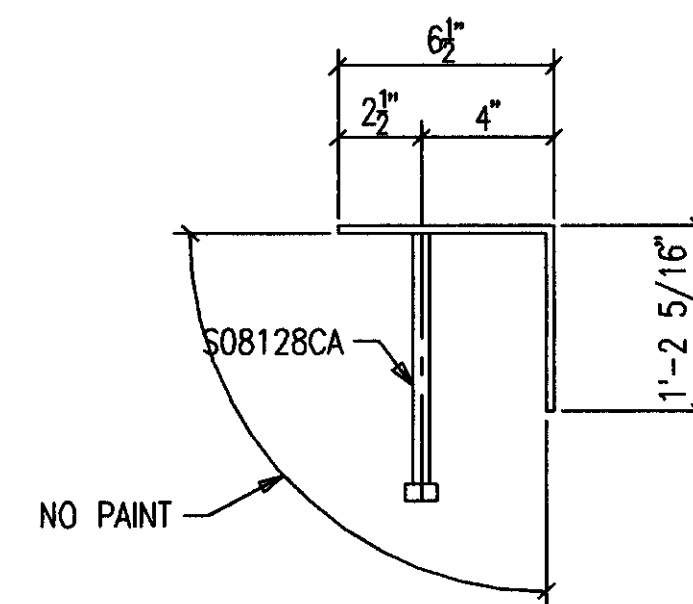
ONE-CURB PLATE 361M3 R [AS SHOWN]  
ONE-CURB PLATE 361M3 L [OPP HAND]



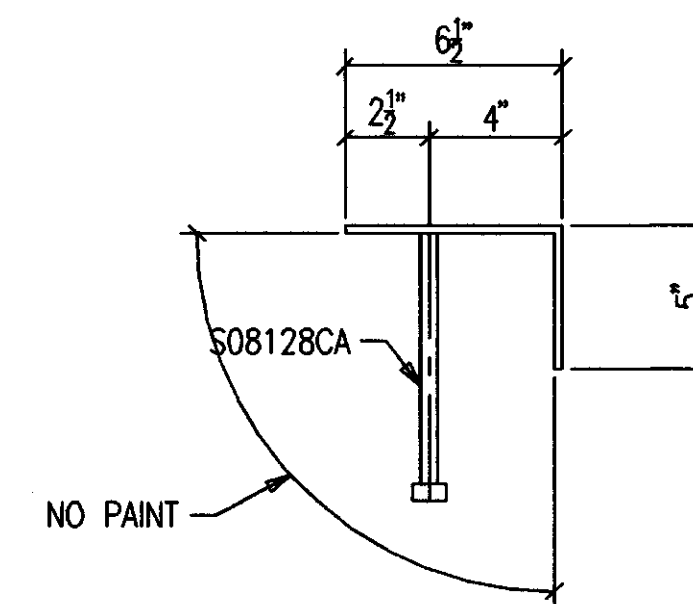
ONE-CURB PLATE 361M4 R [AS SHOWN]  
ONE-CURB PLATE 361M4 L [OPP HAND]



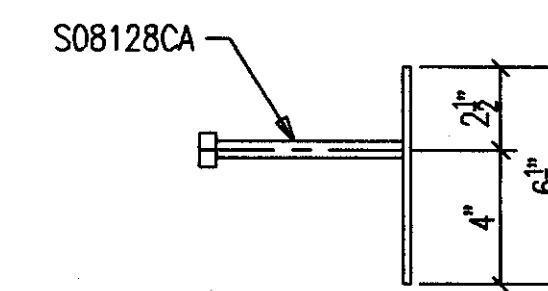
SECTION A



SECTION B



SECTION C



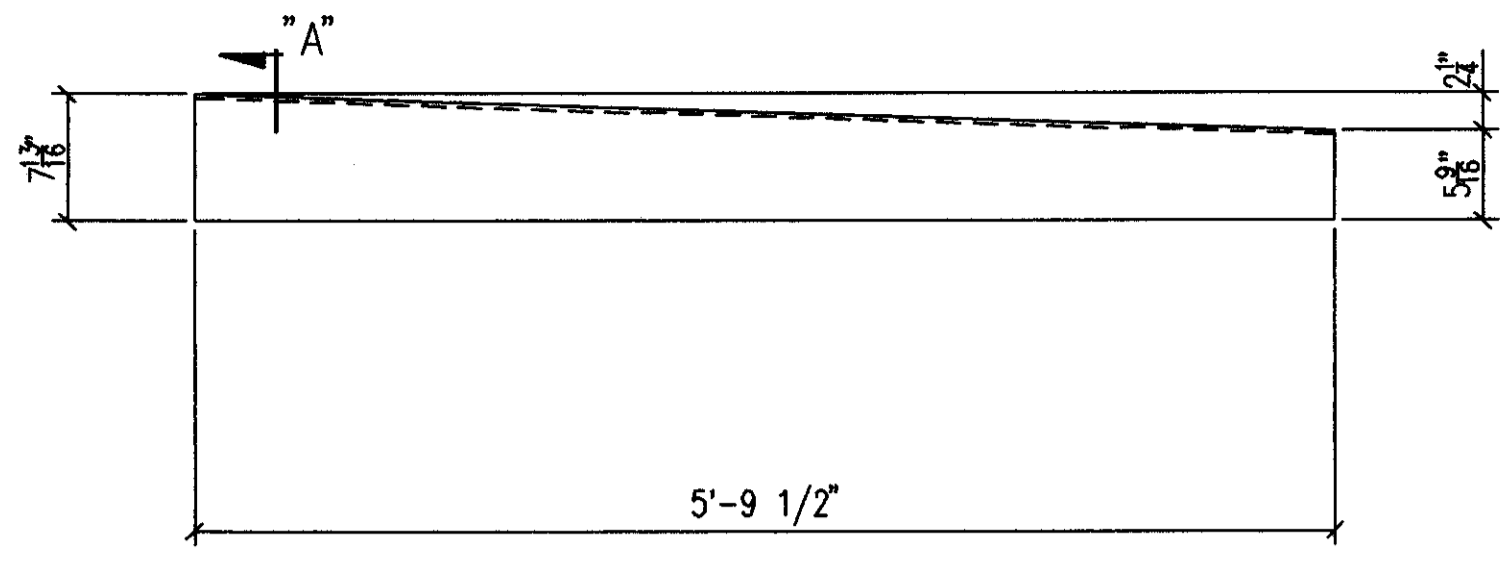
SECTION D

**AS BUILT**  
NAME: *Map*  
DATE: **AUG 16 1999**

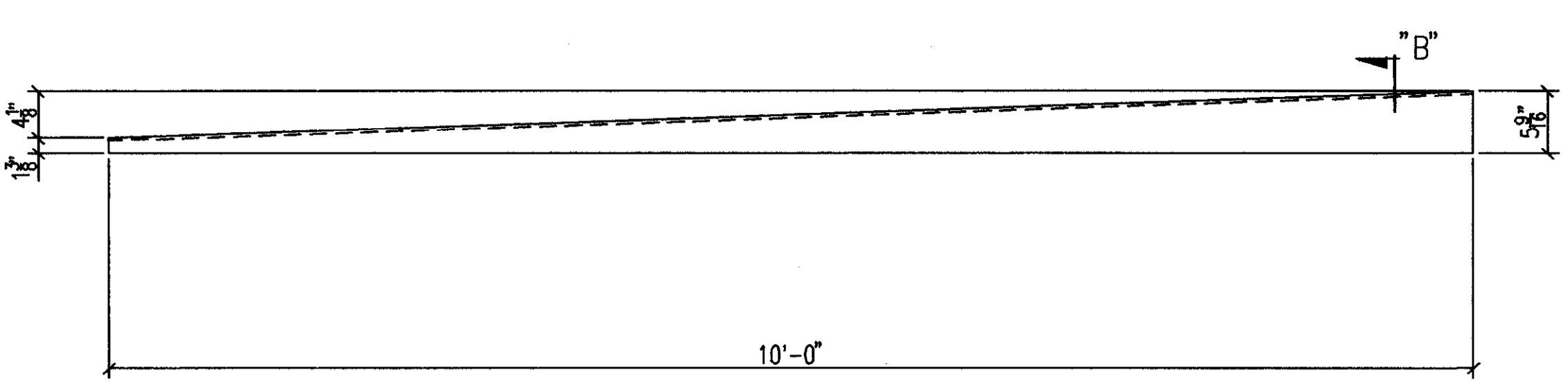
ALL RE-ENTRANT CUTS MIN. 1/2" RAD. U/N	WELD ELECTRODE U/N E70XX	CHECKED BY DATE	CONTRACTOR TURNER CONSTRUCTION COMPANY
ALL A325 BOLTS w/ONE HARD WASH. AND HVY HEX NUT	SHOP PAINT SEE SPECS	ENGINEER WALTER P. MOORE	
ALL A307 BOLTS w/HEX NUT	DRAWING TITLE CURB PLATES @ SUITE LEVEL		
DATE	APP	SHOP	FIELD

**MID STATES STEEL PRODUCTS CO.**  
2044 BUCK LANE  
LEXINGTON, KENTUCKY 40511  
PHONE: 606-233-4344 FAX: 606-233-4346  
FABRICATORS OF STRUCTURAL AND MISCELLANEOUS STEEL

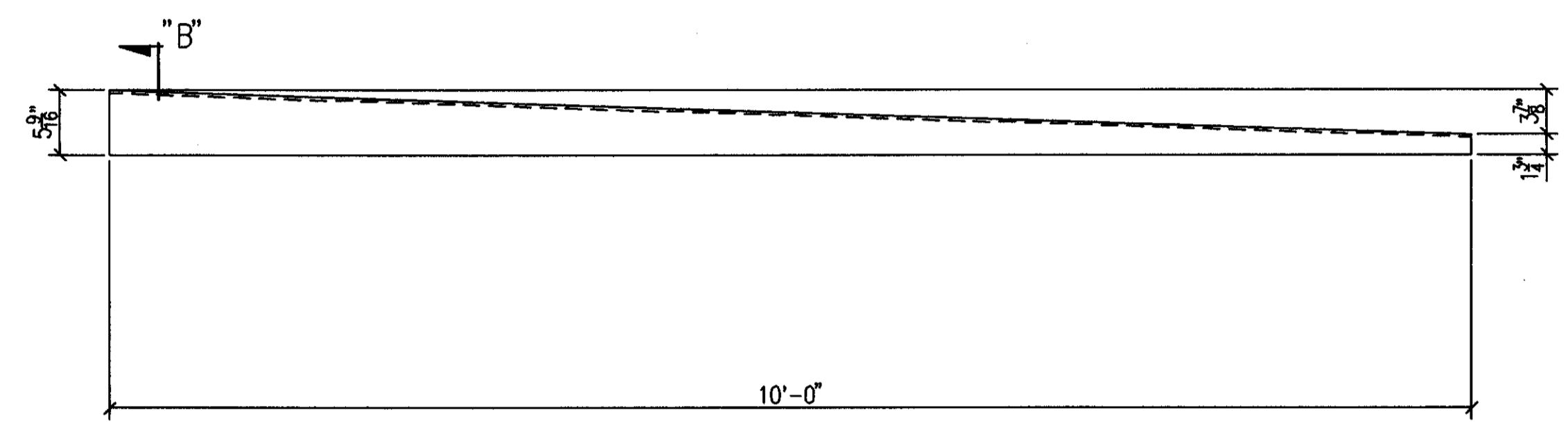
ORDER NO.  
**P3524**  
SHEET NO.  
**361**



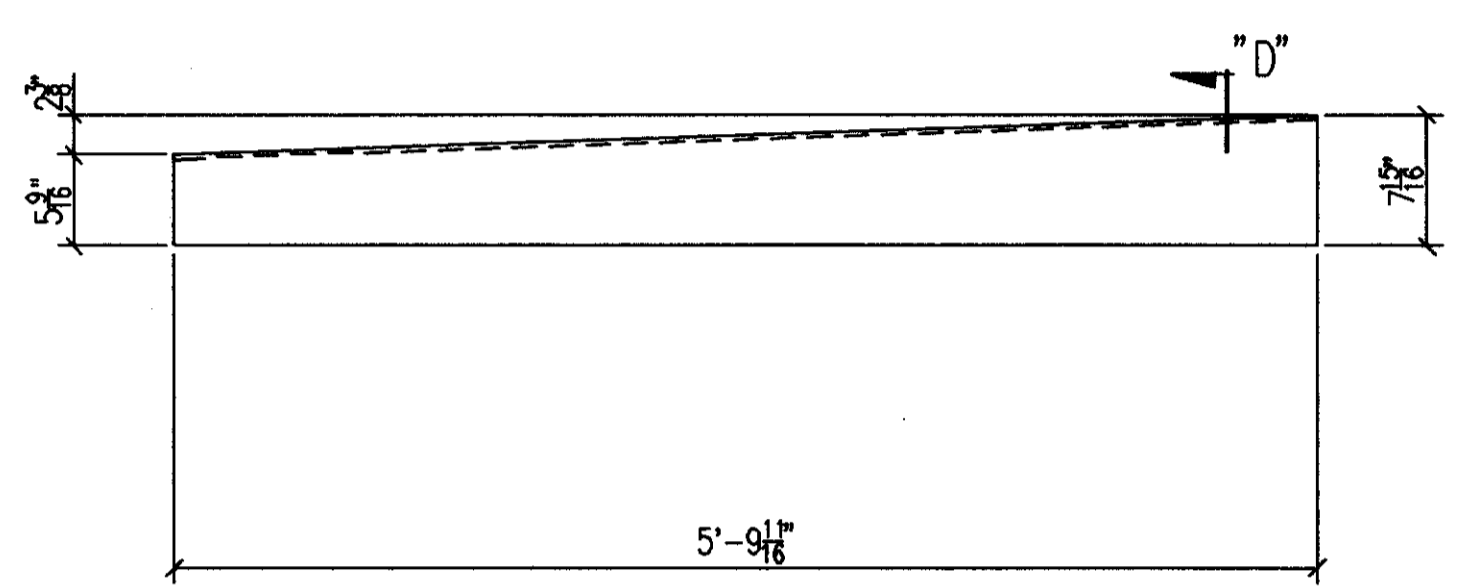
4-CURB PLATES 362M1 R [AS SHOWN]  
 4-CURB PLATES 362M1 L [OPP HAND]



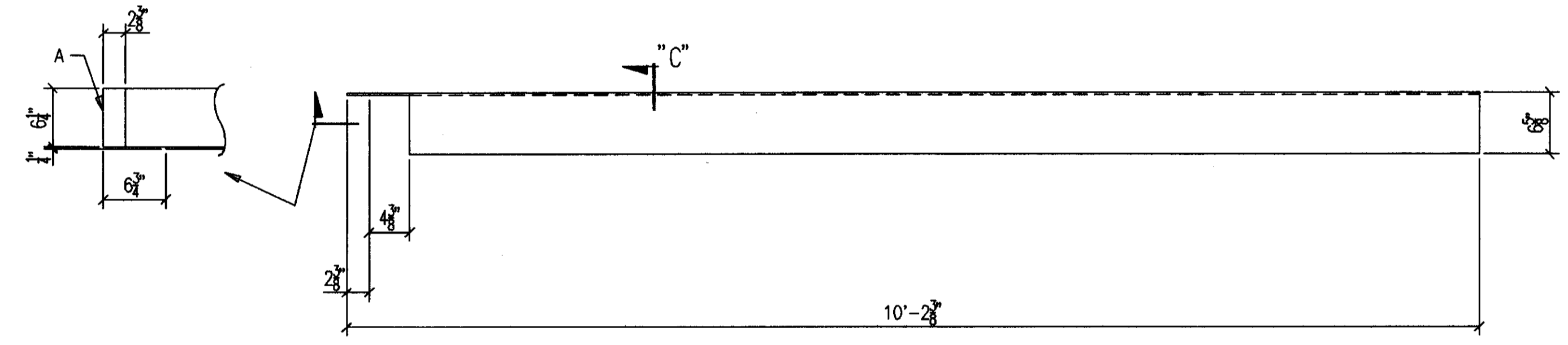
ONE-CURB PLATE 362M5 R [AS SHOWN]  
 ONE-CURB PLATE 362M5 L [OPP HAND]



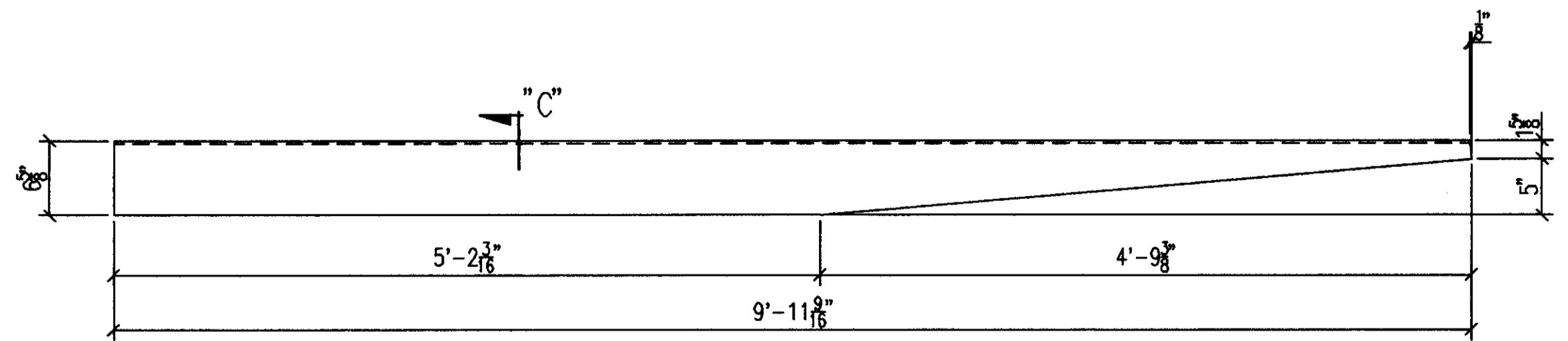
4-CURB PLATES 362M2 R [AS SHOWN]  
 4-CURB PLATES 362M2 L [OPP HAND]



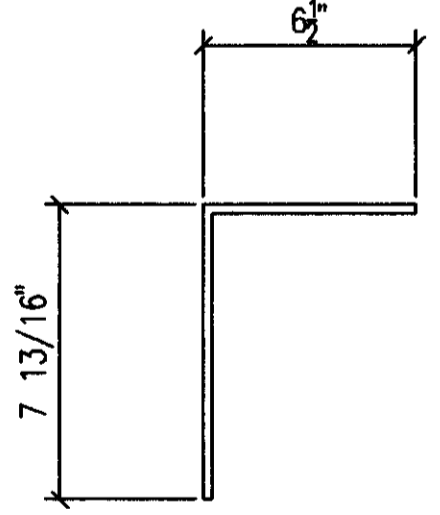
ONE-CURB PLATE 362M6 R [AS SHOWN]  
 ONE-CURB PLATE 362M6 L [OPP HAND]



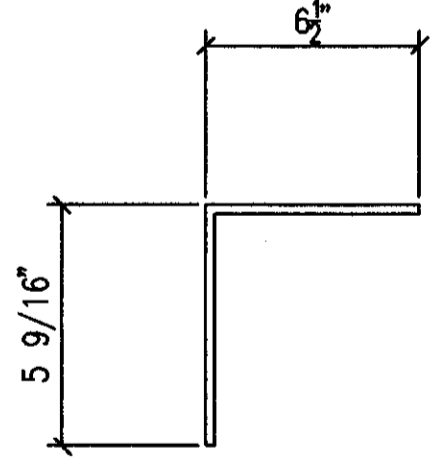
ONE-CURB PLATE 362M3 R [AS SHOWN]  
 ONE-CURB PLATE 362M3 L [OPP HAND]



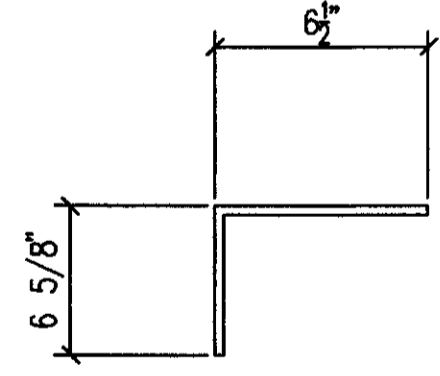
ONE-CURB PLATE 362M4 R [AS SHOWN]  
 ONE-CURB PLATE 362M4 L [OPP HAND]



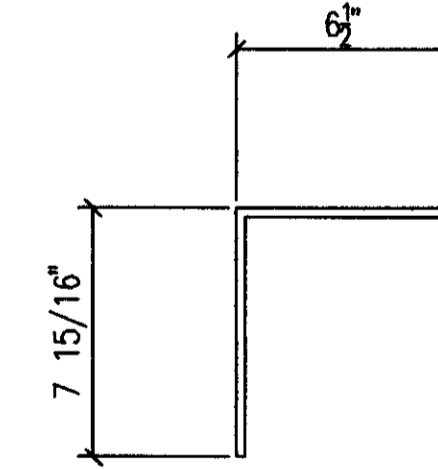
SECTION A



SECTION B



SECTION C



SECTION D

BILL OF MATERIAL

SHIP MARK SUB MARK	NO. PCS.	DESCRIPTION	LENGTH		CL LIST	REMARKS
			FT.	IN.		
362M1 L	4	CURB PLATES				
362M1	4	PL1/4X13-13/16	5	9-1/2		BENT
362M1 R	4	CURB PLATES				
362M1	4	PL1/4X13-13/16	5	9-1/2		BENT
362M2 L	4	CURB PLATES				
362M2	4	PL1/4X11-9/16	10	0		BENT
362M2 R	4	CURB PLATES				
362M2	4	PL1/4X11-9/16	10	0		BENT
362M3 L	ONE	CURB PLATE				
362M3	1	PL1/4X12-5/8	10	0		BENT
A362	1	PL1/4X2-3/8	0	6-1/4		
362M3 R	ONE	CURB PLATE				
362M3	1	PL1/4X12-5/8	10	0		BENT
A362	1	PL1/4X2-3/8	0	6-1/4		
362M4 L	ONE	CURB PLATE				
362M4	1	PL1/4X12-5/8	9	11-9/16		BENT
362M4 R	ONE	CURB PLATE				
362M4	1	PL1/4X12-5/8	9	11-9/16		BENT
362M5 L	ONE	CURB PLATE				
362M5	1	PL1/4X11-9/16	10	0		BENT
362M5 R	ONE	CURB PLATE				
362M5	1	PL1/4X11-9/16	10	0		BENT
362M6 L	ONE	CURB PLATE				
362M6	1	PL1/4X13-15/16	5	9-11/16		BENT
362M6 R	ONE	CURB PLATE				
362M6	1	PL1/4X13-15/16	5	9-11/16		BENT

AS BUILT  
 NAME: *Max Hedges*  
 DATE: AUG 16 1999

1	2-12-99	TURNED "BACK" PLATES LIP DOWN PER TURNER (ALL THIS SHEET)	DATE	REVISION DESCRIPTION	DATE	BY
---	---------	---	------	----------------------	------	----

CONTRACTOR TO CHECK ALL DIMENSIONS AT JOB AS MID STATES STEEL PRODUCTS CO. ASSUMES NO RESPONSIBILITY FOR GENERAL BUILDING DIMENSIONS. NO BACK CHARGES PERTAINING TO THIS WORK WILL BE ACCEPTED WITHOUT PRIOR AUTHORIZATION BY MID STATES STEEL PRODUCTS CO.

MATERIAL U/N	A36	DRAWN BY	SC	JOB NAME	COMMONWEALTH STADIUM EXPANSION
OPEN HOLES U/N	13/16" Ø	DATE	1/99	JOB LOCATION	UNIVERSITY OF KENTUCKY
WELD ELECTRODE U/N	E70XX	CHECKED BY		CONTRACTOR	TURNER CONSTRUCTION COMPANY
SHOP PAINT	SEE SPECS	DATE		ENGINEER	WALTER P. MOORE
DRAWING TITLE: CURB PLATES @ SUITE LEVEL					

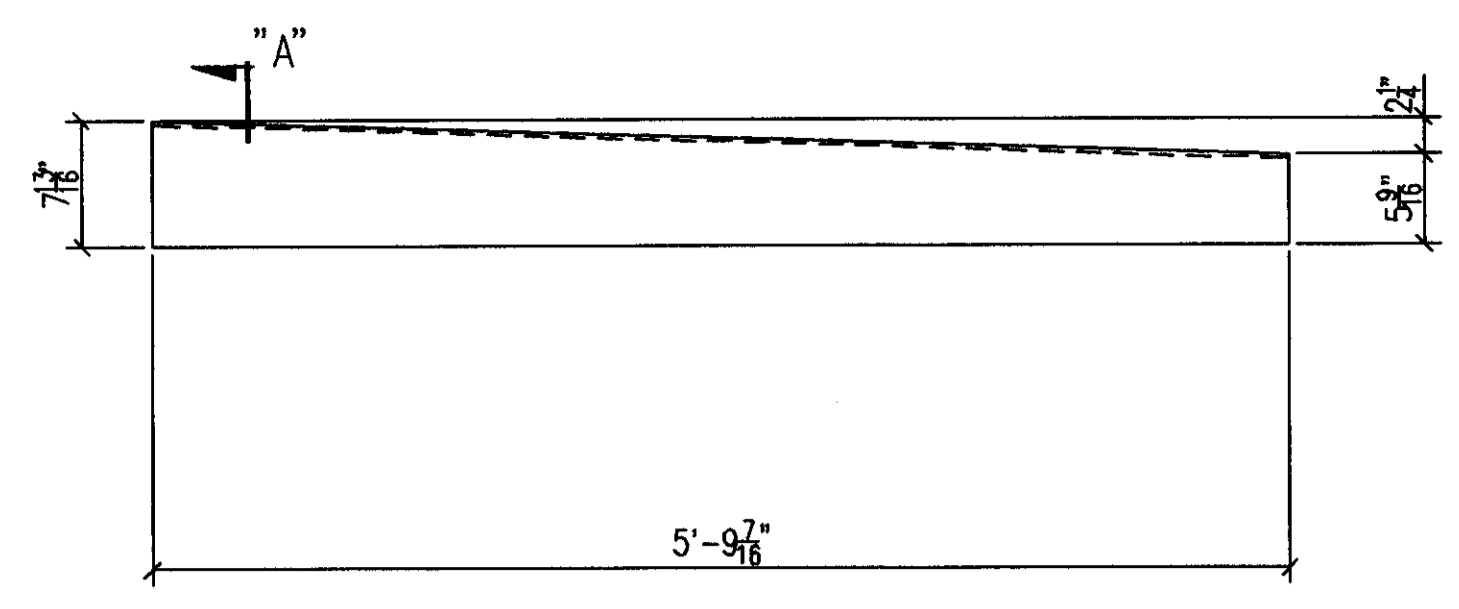
DATE	APP	CHK	FIELD

2044 BUCK LANE  
 LEXINGTON, KENTUCKY 40511  
 PHONE: 606-233-4344 FAX: 606-233-4346

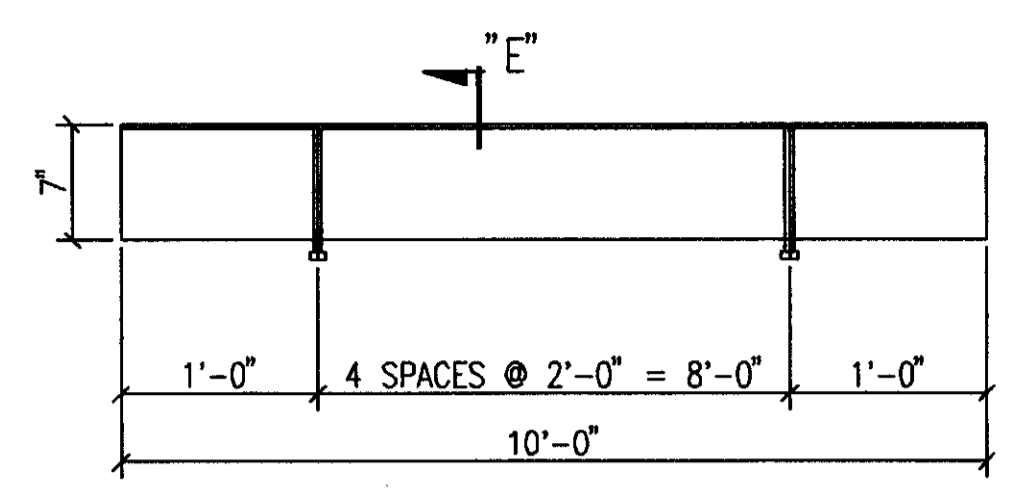
**MID STATES STEEL PRODUCTS CO.**  
 FABRICATORS OF STRUCTURAL AND MISCELLANEOUS STEEL

ORDER NO. P3524  
 SHEET NO. 362

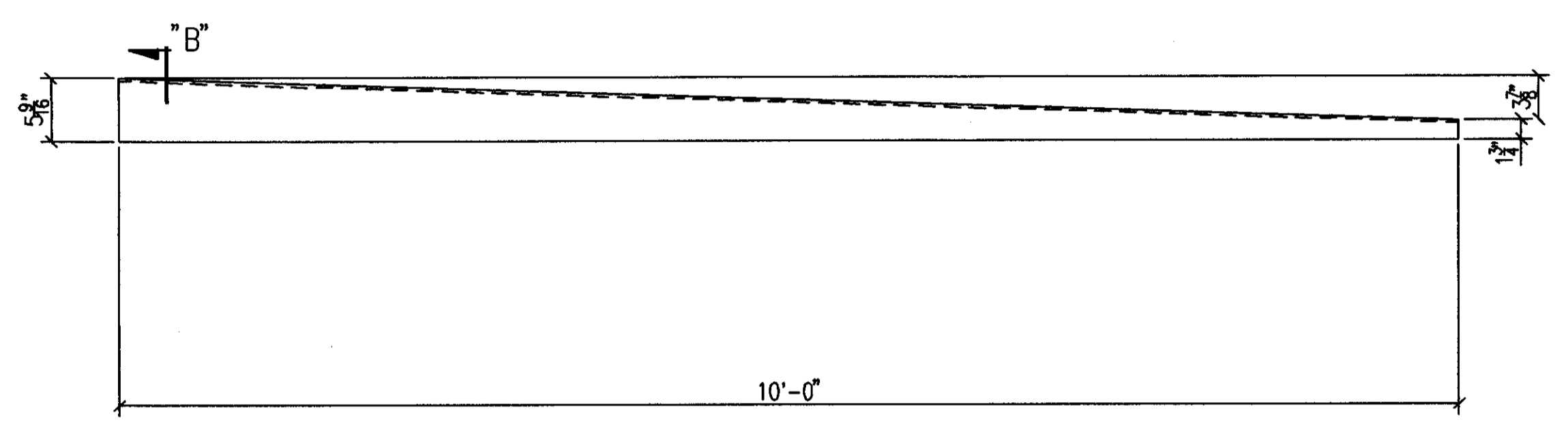




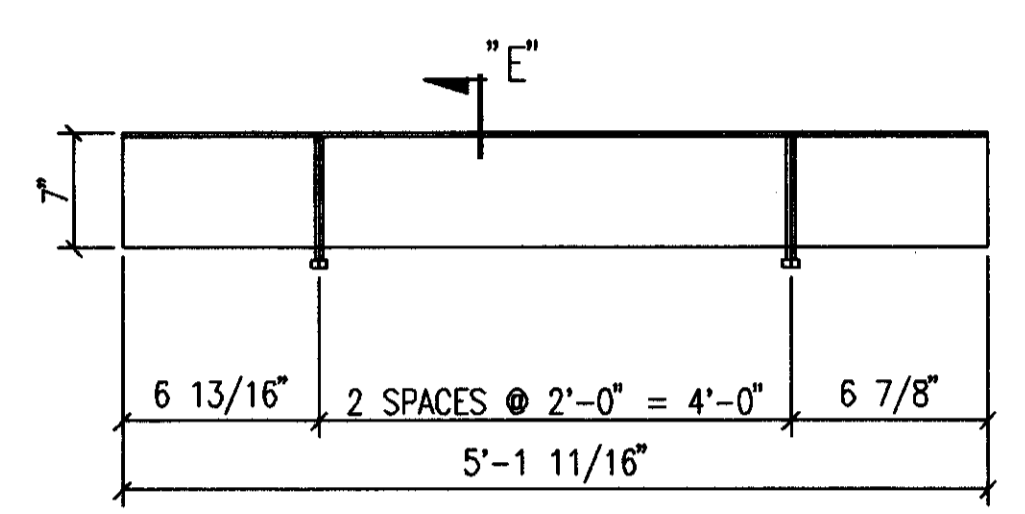
ONE-CURB PLATE 363M1 R [AS SHOWN]  
ONE-CURB PLATE 363M1 L [OPP HAND]



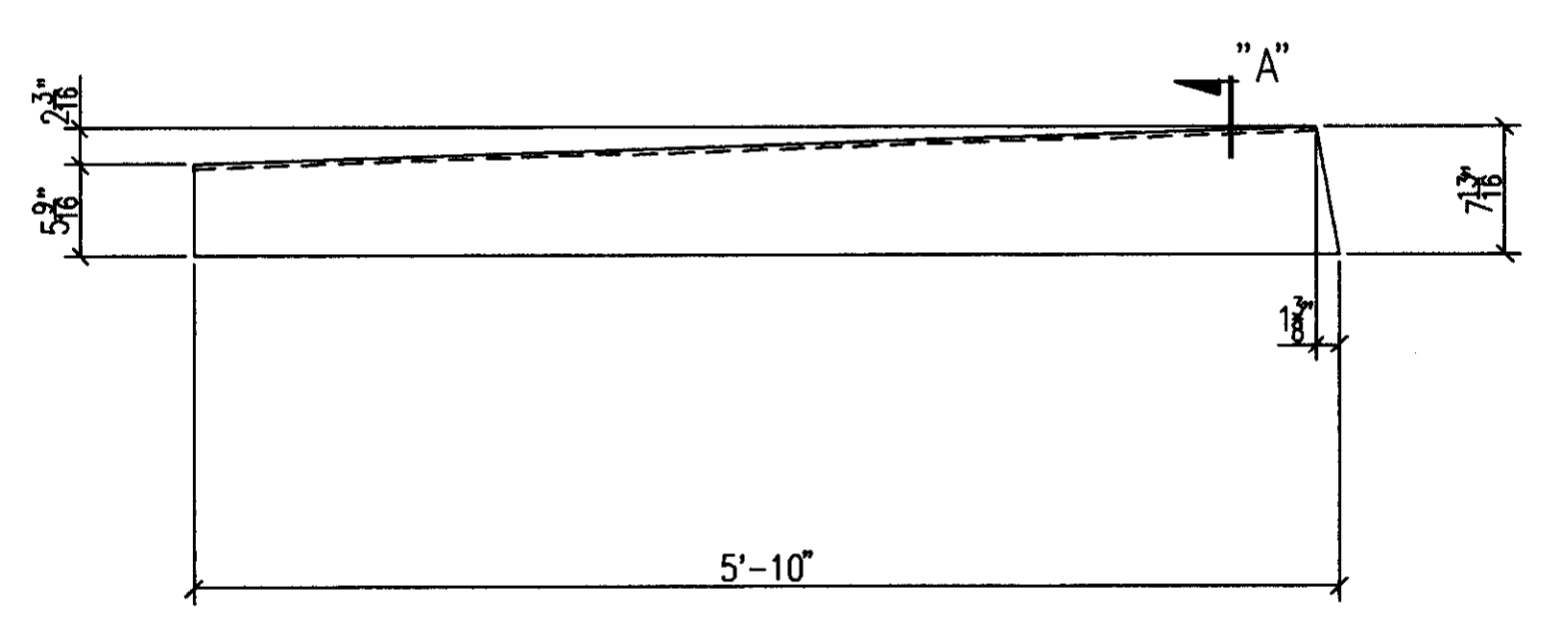
14-CURB PLATES 363M6



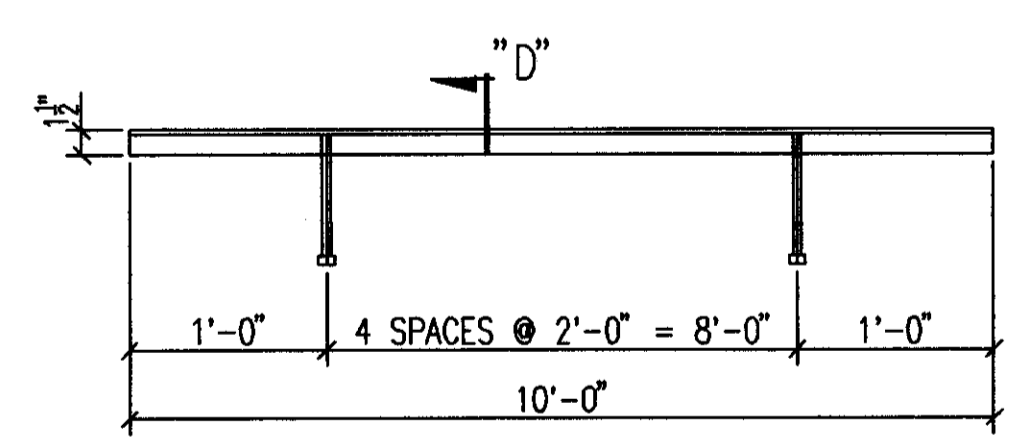
2-CURB PLATES 363M2 R [AS SHOWN]  
2-CURB PLATES 363M2 L [OPP HAND]



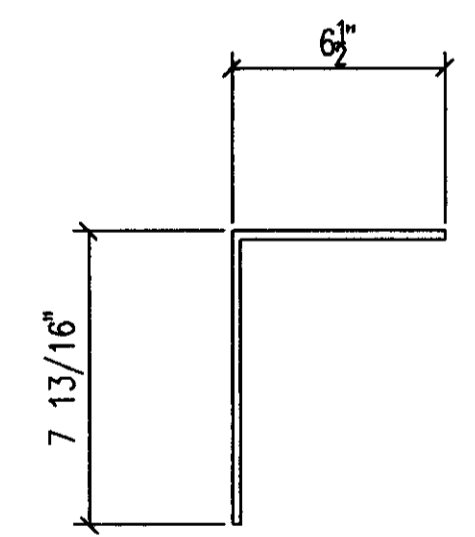
2-CURB PLATES 363M7



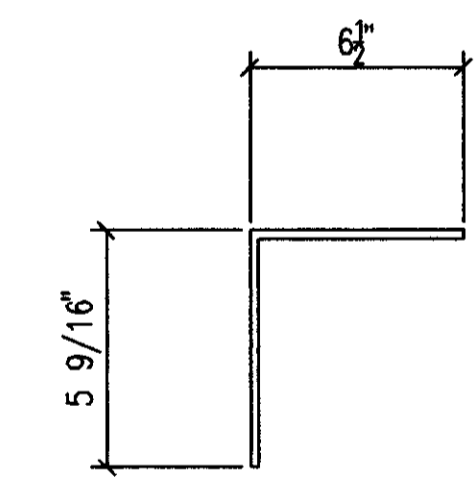
ONE-CURB PLATE 363M3 R [AS SHOWN]  
ONE-CURB PLATE 363M3 L [OPP HAND]



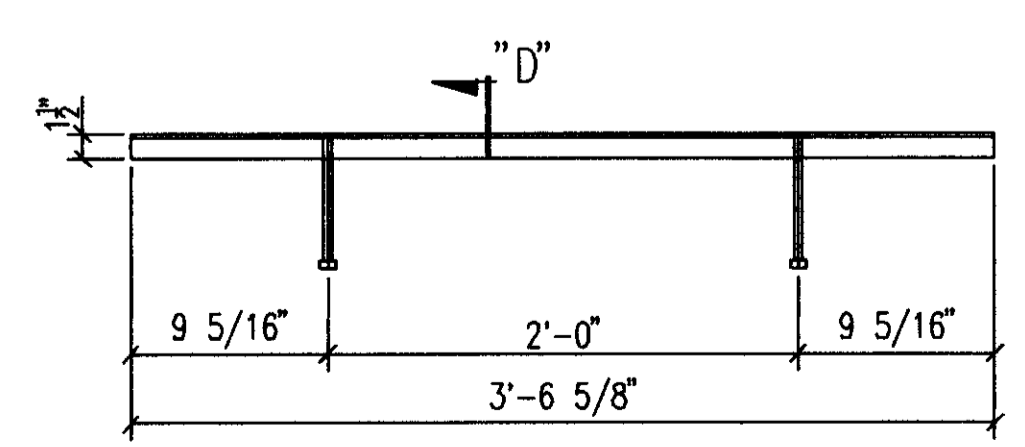
14-CURB PLATES 363M4



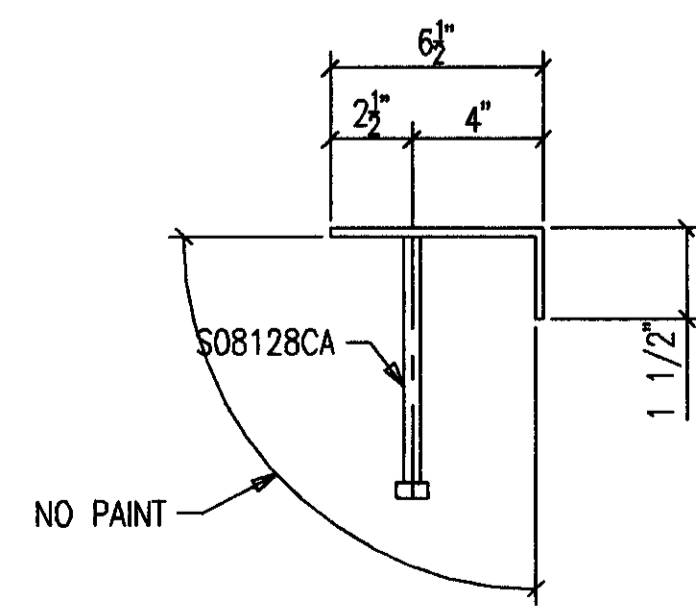
SECTION A



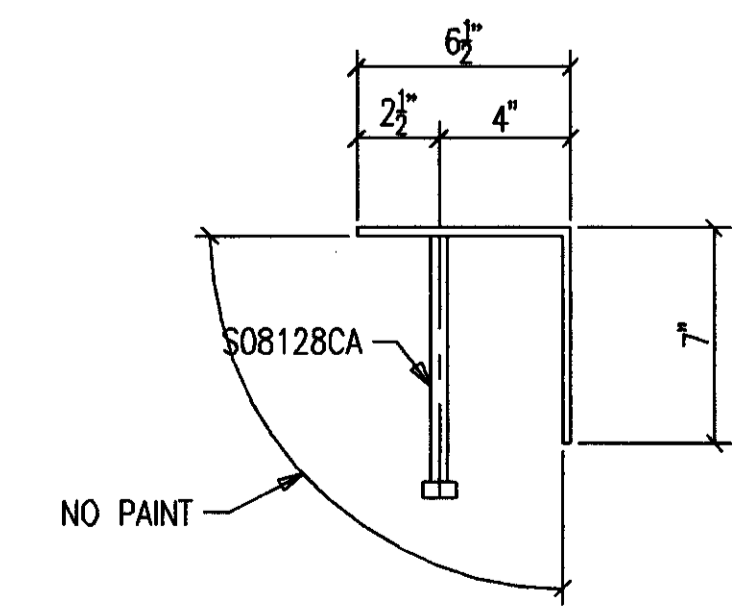
SECTION B



2-CURB PLATES 363M5



SECTION D



SECTION E

BILL OF MATERIAL

SHIP MARK SUB MARK	NO. PCS.	DESCRIPTION	LENGTH		CL LIST	REMARKS
			FT.	IN.		
363M1 L 363M1	ONE 1	CURB PLATE PL1/4X13-13/16	5	9-7/16		BENT
363M1 R 363M1	ONE 1	CURB PLATE PL1/4X13-13/16	5	9-7/16		BENT
363M2 L 363M2	2 2	CURB PLATES PL1/4X11-9/16	10	0		BENT
363M2 R 363M2	2 2	CURB PLATES PL1/4X11-9/16	10	0		BENT
363M3 L 363M3	ONE 1	CURB PLATE PL1/4X13-13/16	5	10		BENT
363M3 R 363M3	ONE 1	CURB PLATE PL1/4X13-13/16	5	10		BENT
363M4 363M4 S08128CA	14 14 70	CURB PLATES PL1/4X7-1/2 A STUD 1/2X8	10	0		BENT
363M5 363M5 S08128CA	2 2 4	CURB PLATES PL1/4X7-1/2 A STUD 1/2X8	3	6-5/8		BENT
363M6 363M6 S08128CA	14 14 70	CURB PLATES PL1/4X13 A STUD 1/2X8	10	0		BENT
363M7 363M7 S08128CA	2 2 6	CURB PLATES PL1/4X13 A STUD 1/2X8	5	1-11/16		BENT

**AS BUILT**  
NAME: *Max Hughes*  
DATE: **AUG 18 1999**

DATE	APP	CHK	FIELD

CONTRACTOR TO CHECK ALL DIMENSIONS AT JOB AS MID STATES STEEL PRODUCTS CO. ASSUMES NO RESPONSIBILITY FOR GENERAL BUILDING DIMENSIONS. NO BACK CHARGES PERTAINING TO THIS WORK WILL BE ACCEPTED WITHOUT PRIOR AUTHORIZATION BY MID STATES STEEL PRODUCTS CO.

MATERIAL U/N A36  
OPEN HOLES U/N 13/16" Ø  
WELD ELECTRODE U/N E70XX  
SHOP PAINT SEE SPECS  
DRAWING TITLE CURB PLATES @ SUITE LEVEL

DRN BY SC  
DATE 1/99  
JOB NAME COMMONWEALTH STADIUM EXPANSION  
JOB LOCATION UNIVERSITY OF KENTUCKY  
CONTRACTOR TURNER CONSTRUCTION COMPANY  
ENGINEER WALTER P. MOORE

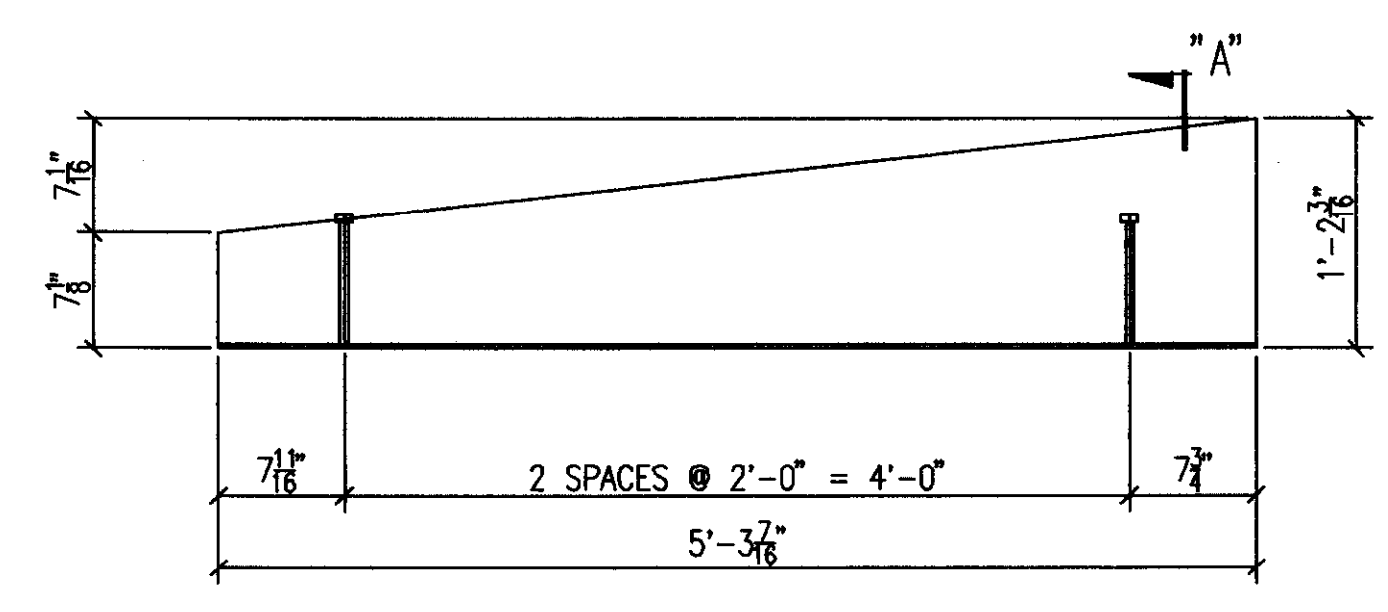
2044 BUCK LANE  
LEXINGTON, KENTUCKY 40511  
PHONE: 606-233-4344 FAX: 606-233-4346

ORDER NO. P3524  
SHEET NO. 363

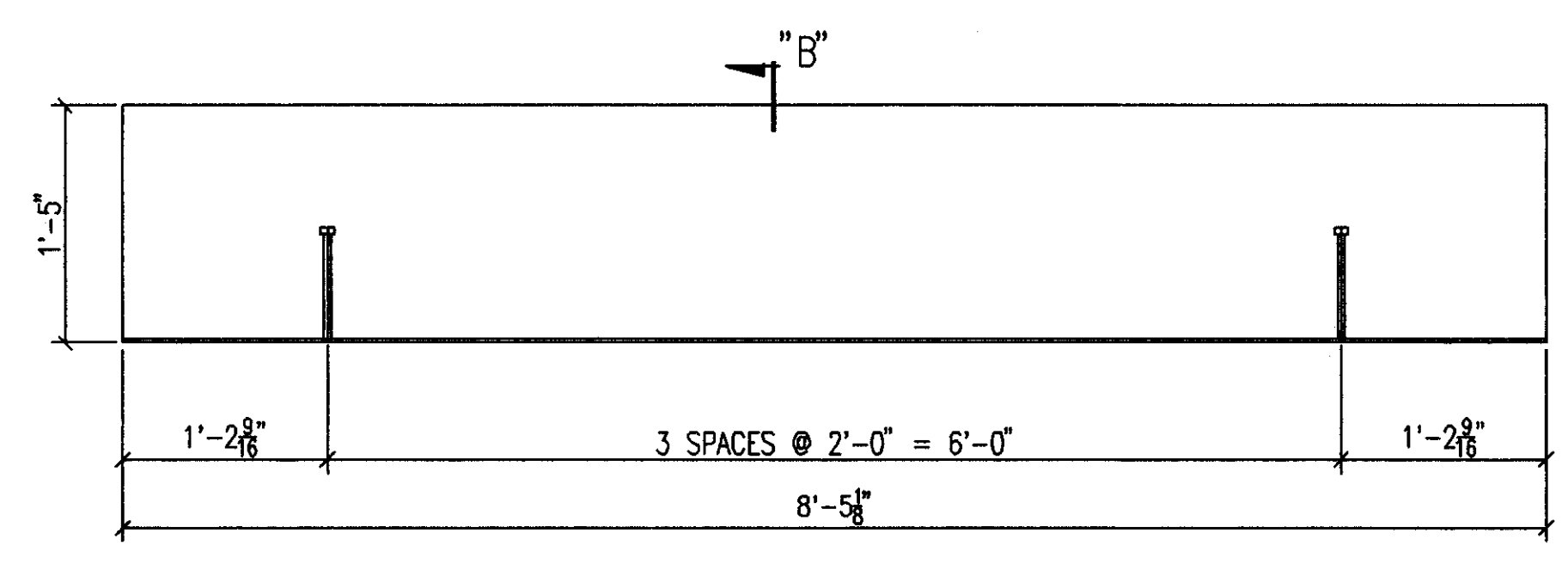
FABRICATORS OF STRUCTURAL AND MISCELLANEOUS STEEL

# BILL OF MATERIAL

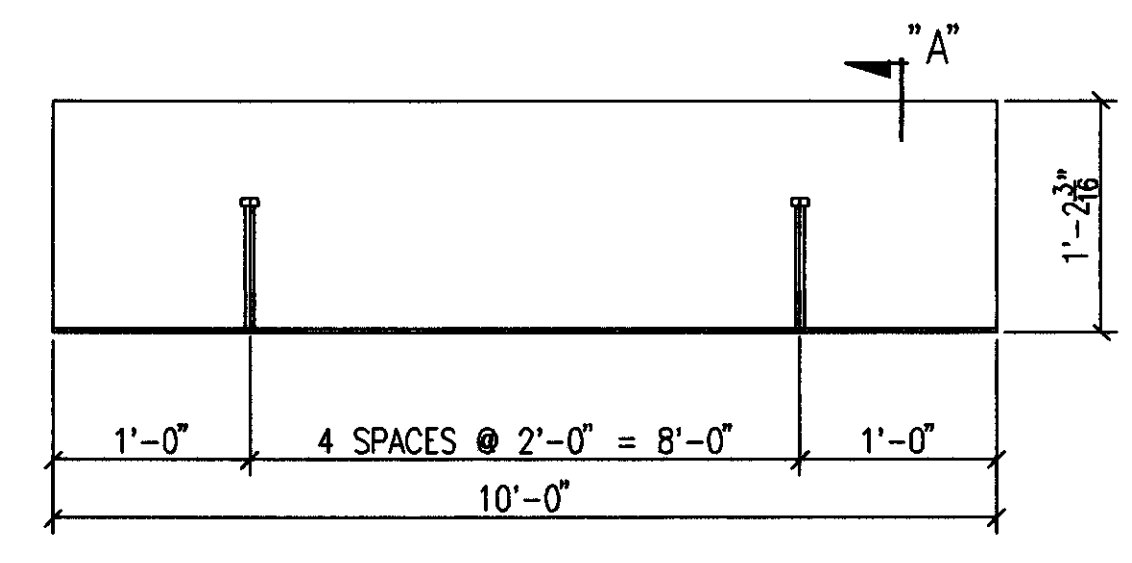
SHIP MARK SUB MARK	NO. PCS.	DESCRIPTION	LENGTH		REMARKS
			FT.	IN.	
364M1 L	ONE	CURB PLATE			
364M1	1	PL1/4X20-3/16	5	3-7/16	BENT
S08128CA	3	A STUD 1/2X8			
364M1 R	ONE	CURB PLATE			
364M1	1	PL1/4X20-3/16	5	3-7/16	BENT
S08128CA	3	A STUD 1/2X8			
364M2	2	CURB PLATES			
364M2	2	PL1/4X20-3/16	10	0	BENT
S08128CA	10	A STUD 1/2X8			
364M3 L	ONE	CURB PLATE			
364M3	1	PL1/4X20-3/16	6	1-11/16	BENT
S08128CA	3	A STUD 1/2X8			
364M3 R	ONE	CURB PLATE			
364M3	1	PL1/4X20-3/16	6	1-11/16	BENT
S08128CA	3	A STUD 1/2X8			
364M4	4	CURB PLATES			
364M4	4	PL1/4X23	6	0	BENT
S08128CA	12	A STUD 1/2X8			
364M5	2	CURB PLATES			
364M5	2	PL1/4X23	8	5-1/8	BENT
S08128CA	8	A STUD 1/2X8			
364M6	2	CURB PLATES			
364M6	2	PL1/4X23	10	0	BENT
S08128CA	10	A STUD 1/2X8			
364M7 L	ONE	CURB PLATE			
364M7	1	PL1/4X23	9	11-7/8	BENT
S08128CA	5	A STUD 1/2X8			
364M7 R	ONE	CURB PLATE			
364M7	1	PL1/4X23	9	11-7/8	BENT
S08128CA	5	A STUD 1/2X8			



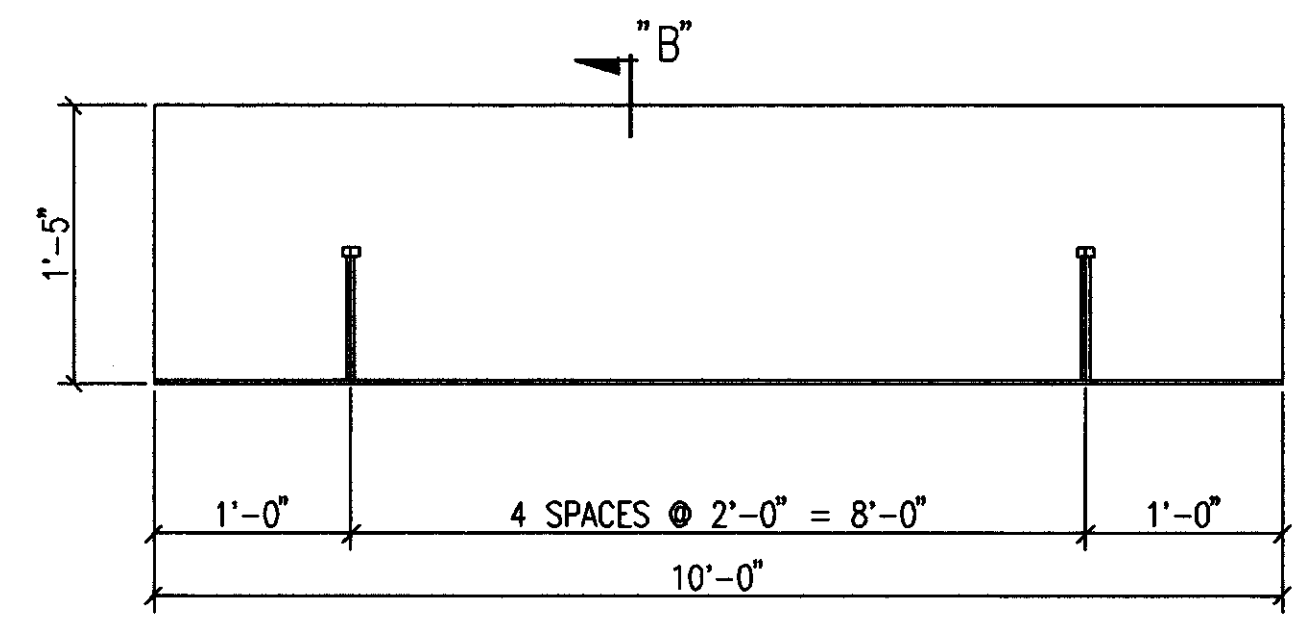
ONE-CURB PLATE 364M1 R [AS SHOWN]  
ONE-CURB PLATE 364M1 L [OPP HAND]



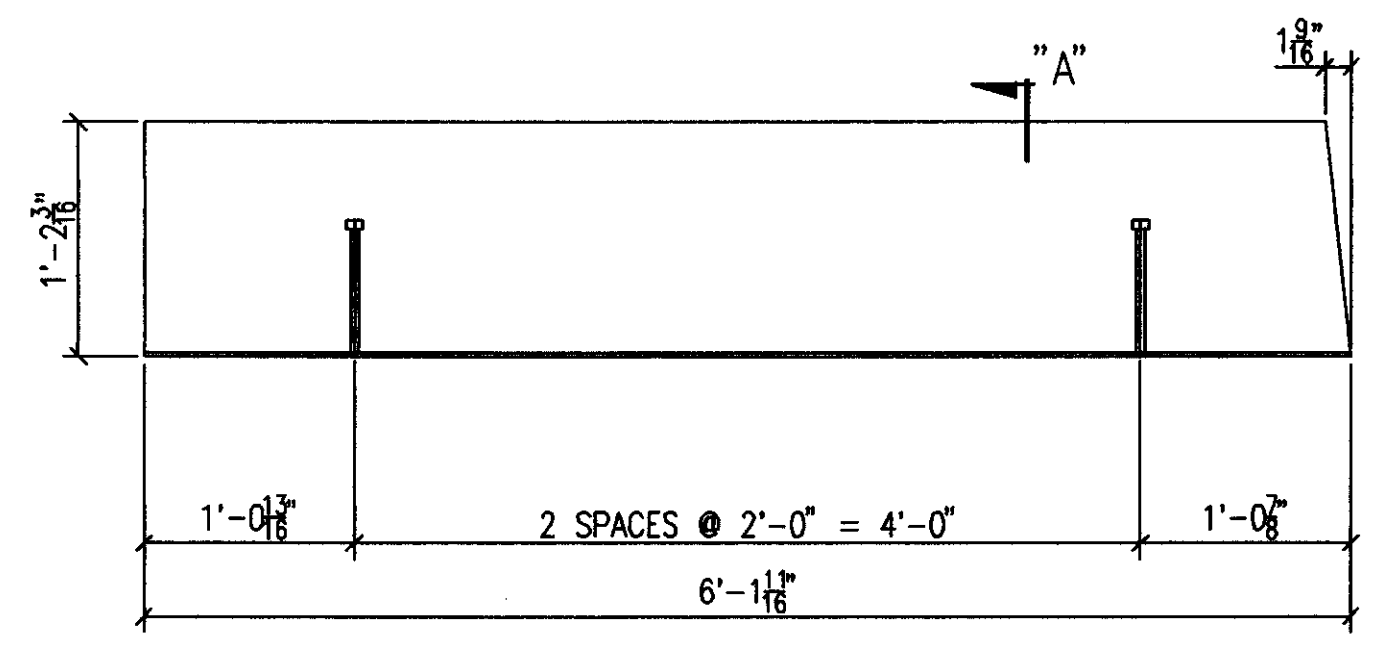
2-CURB PLATES 364M5



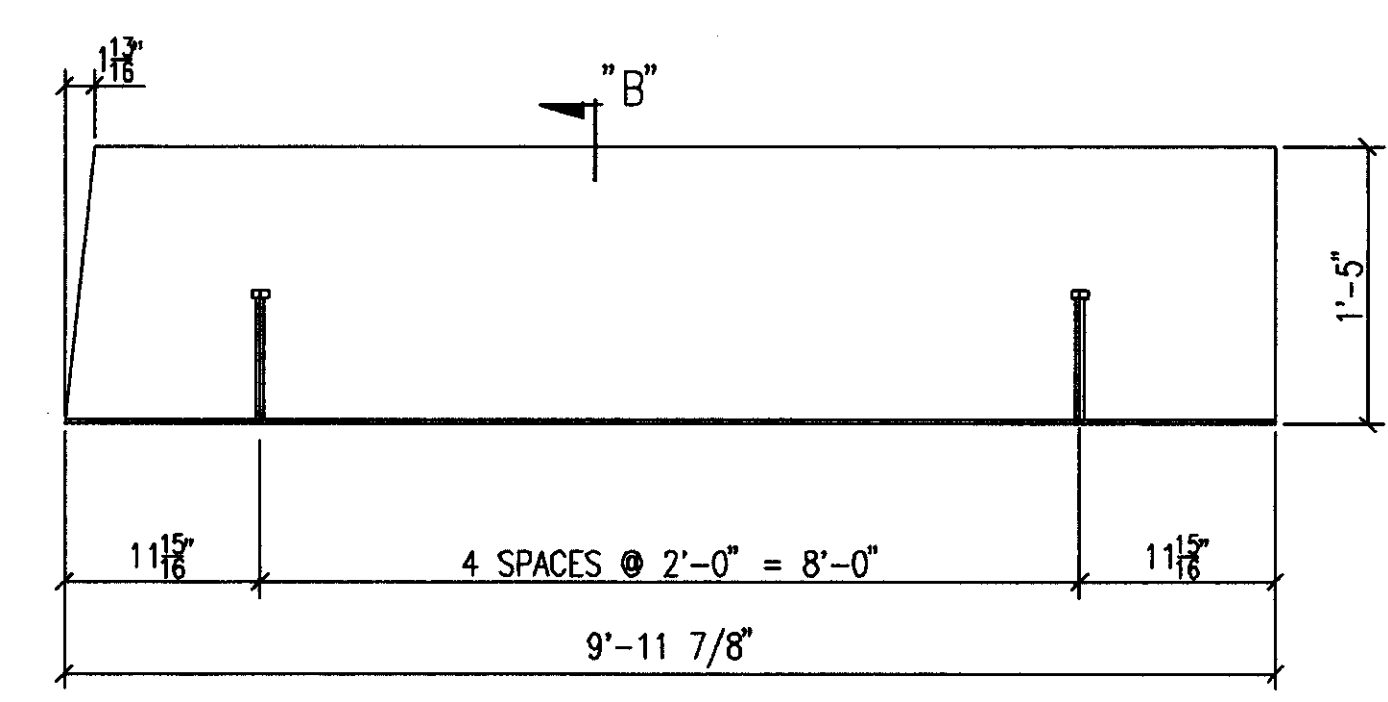
2-CURB PLATES 364M2



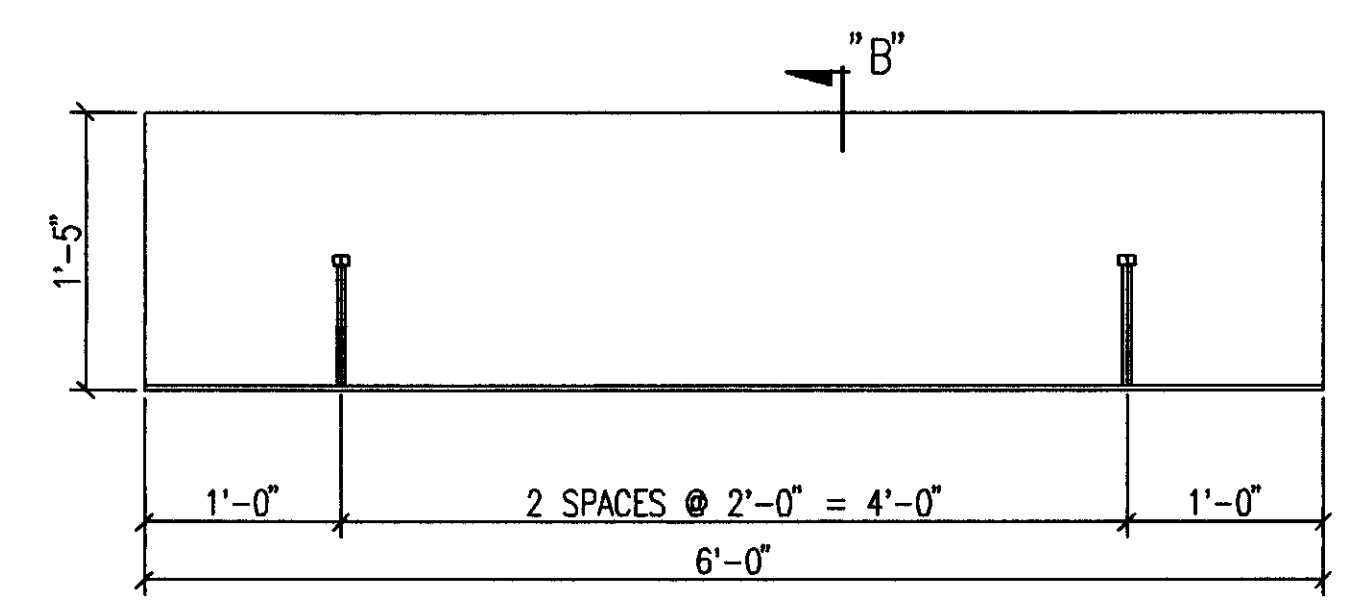
2-CURB PLATES 364M6



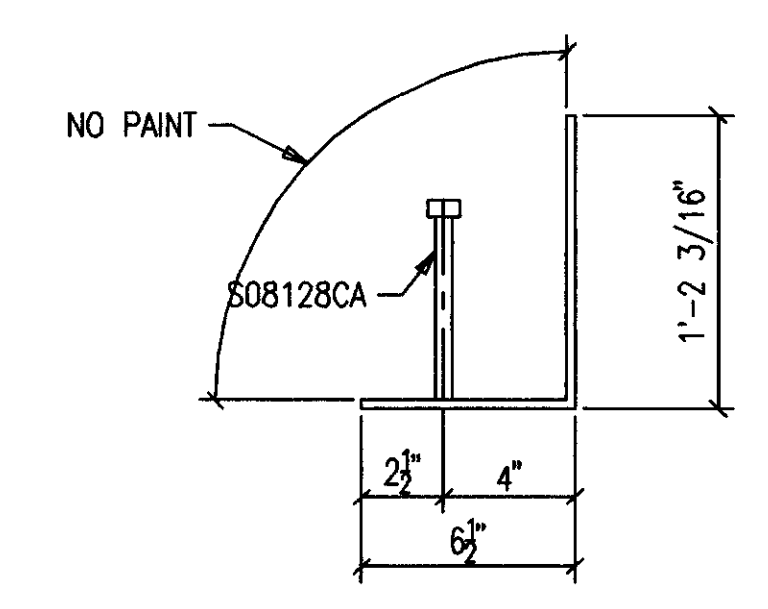
ONE-CURB PLATE 364M3 R [AS SHOWN]  
ONE-CURB PLATE 364M3 L [OPP HAND]



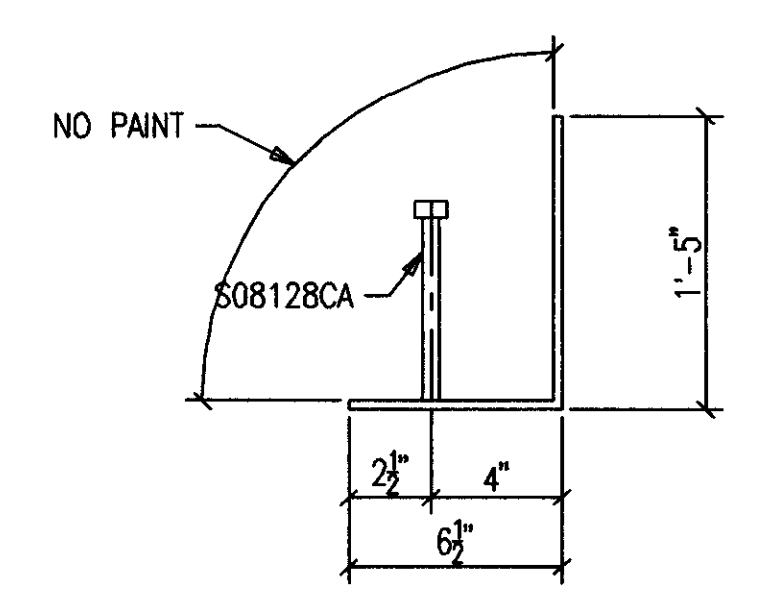
ONE-CURB PLATE 364M7 R [AS SHOWN]  
ONE-CURB PLATE 364M7 L [OPP HAND]



4-CURB PLATES 364M4



SECTION A



SECTION B

**AS BUILT**  
NAME: *Map Hughes*  
DATE: AUG 16 1999

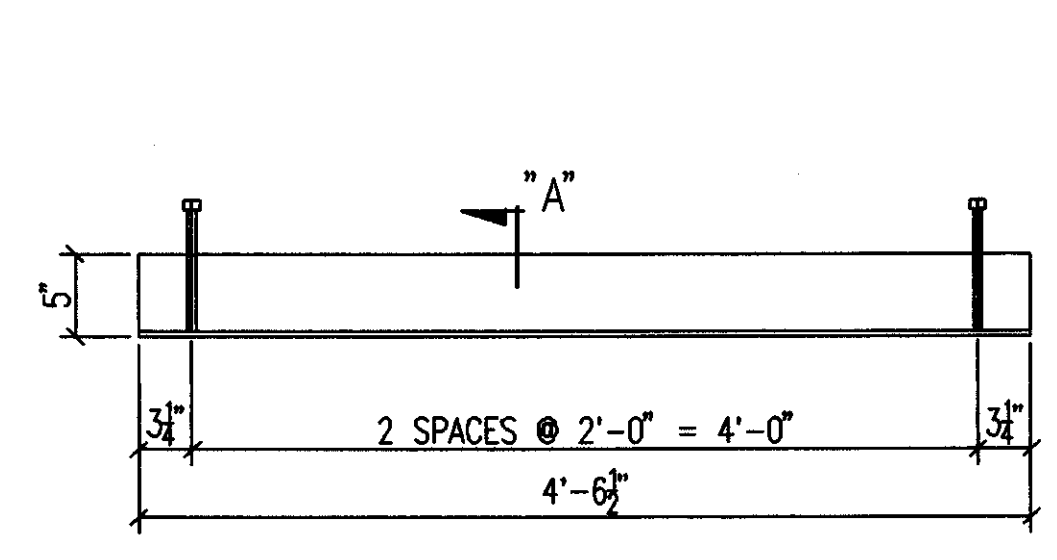
ALL RE-ENTRANT CUTS MIN. 1/2" RAD. U/N	WELD ELECTRODE U/N E70XX	CHECKED BY CONTRACTOR
ALL A325 BOLTS w/ONE HARD WASH. AND HVY HEX NUT	SHOP PAINT SEE SPECS	DATE ENGINEER
ALL A307 BOLTS w/HEX NUT	DRAWING TITLE: CURB PLATES @ SUITE LEVEL	
DATE APP SHIP FIELD		

NO.	DATE	REVISION DESCRIPTION	CHK	CRK
CONTRACTOR TO CHECK ALL DIMENSIONS AT JOB AS MID STATES STEEL PRODUCTS CO. ASSUMES NO RESPONSIBILITY FOR GENERAL BUILDING DIMENSIONS. NO BACK CHARGES PERTAINING TO THIS WORK WILL BE ACCEPTED WITHOUT PRIOR AUTHORIZATION BY MID STATES STEEL PRODUCTS CO.				
MATERIAL U/N	A36	DRAWN BY SC	JOB NAME COMMONWEALTH STADIUM EXPANSION	
OPEN HOLES U/N	13/16" Ø	DATE 1/99	JOB LOCATION UNIVERSITY OF KENTUCKY	
WELD ELECTRODE U/N	E70XX	CHECKED BY CONTRACTOR	TURNER CONSTRUCTION COMPANY	
SHOP PAINT	SEE SPECS	DATE ENGINEER	WALTER P. MOORE	
DRAWING TITLE: CURB PLATES @ SUITE LEVEL				
2044 BUICK LANE LEXINGTON, KENTUCKY 40511 PHONE: 606-233-4344 FAX: 606-233-4346			ORDER NO.	P3524
FABRICATORS OF STRUCTURAL AND MISCELLANEOUS STEEL			SHEET NO.	364

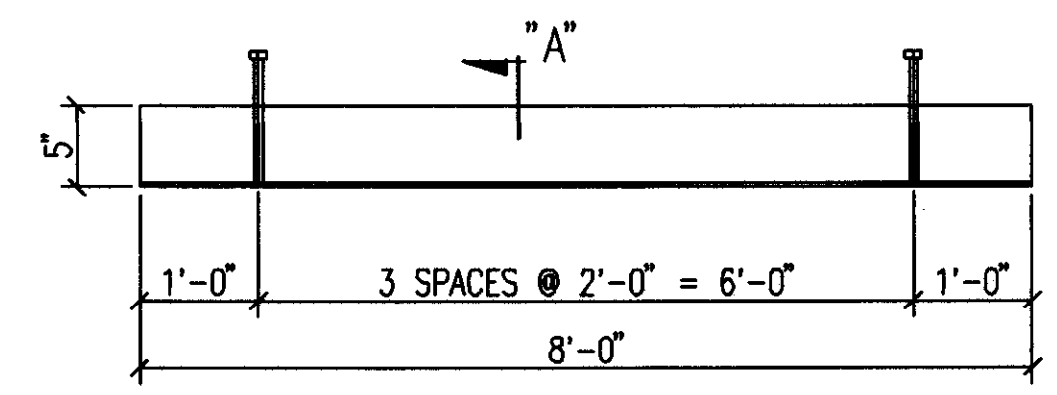
Cab # 206 B-1  
 Document # 34739

SHIP MARK SUB MARK		NO. PCS.	DESCRIPTION	LENGTH		CUTS	REMARKS
				FT.	IN.		
365M1		2	CURB PLATES				
365M1		2	PL 1/4X11	4	6-1/2		BENT
S08128CA		6	A STUD 1/2X8				
365M2		2	CURB PLATES				
365M2		2	PL 1/4X11	8	0		BENT
S08128CA		8	A STUD 1/2X8				
365M3 L		ONE	CURB PLATE				
365M3		1	PL 1/4X11-1/2	8	0		BENT
S08128CA		4	A STUD 1/2X8				
365M3 R		ONE	CURB PLATE				
365M3		1	PL 1/4X11-1/2	8	0		BENT
S08128CA		4	A STUD 1/2X8				
365M4 L		ONE	CURB PLATE				
365M4		1	PL 1/4X11-1/2	3	9-11/16		BENT
S08128CA		2	A STUD 1/2X8				
365M4 R		ONE	CURB PLATE				
365M4		1	PL 1/4X11-1/2	3	9-11/16		BENT
S08128CA		2	A STUD 1/2X8				
365M5		2	CURB PLATES				
365M5		2	PL 1/4X6-1/2	8	0-7/16		
S08128CA		8	A STUD 1/2X8				
365M6		2	CURB PLATES				
365M6		2	PL 1/4X6-1/2	10	0		
S08128CA		10	A STUD 1/2X8				
365M7		2	CURB PLATES				
365M7		2	PL 1/4X6-1/2	8	5		
S08128CA		10	A STUD 1/2X8				
365M8 L		ONE	CURB PLATE				
365M8		1	PL 1/4X6-1/2	3	3-13/16		
S08128CA		2	A STUD 1/2X8				
365M8 R		ONE	CURB PLATE				
365M8		1	PL 1/4X6-1/2	3	3-13/16		
S08128CA		2	A STUD 1/2X8				
365M9		2	CURB PLATES				
365M9		2	PL 1/4X6-1/2	5	3		
S08128CA		6	A STUD 1/2X8				

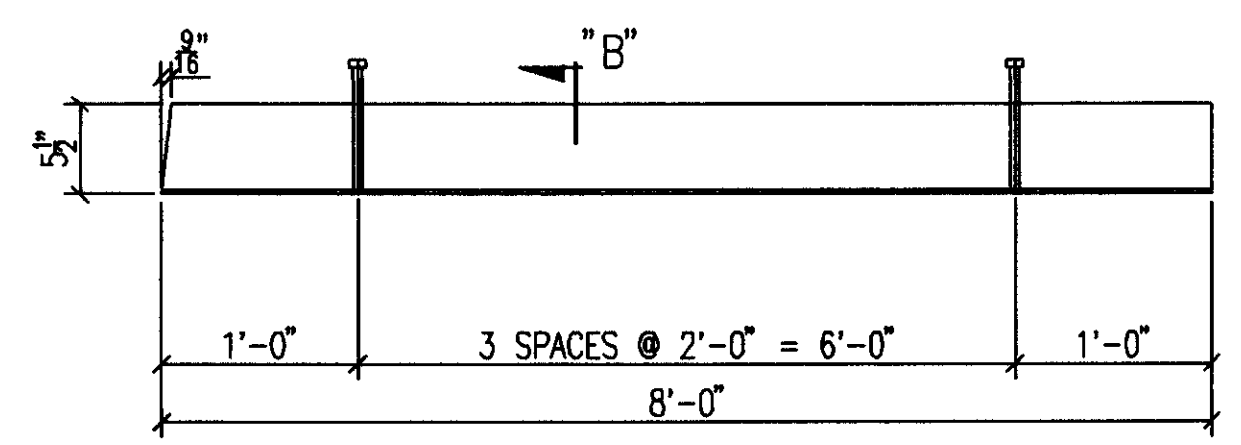
WAS MO R/L



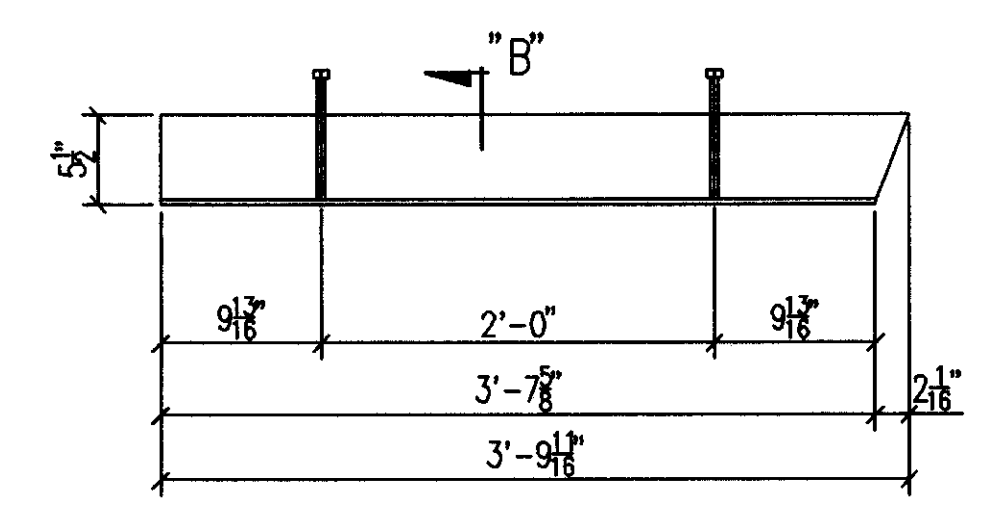
2-CURB PLATES 365M1



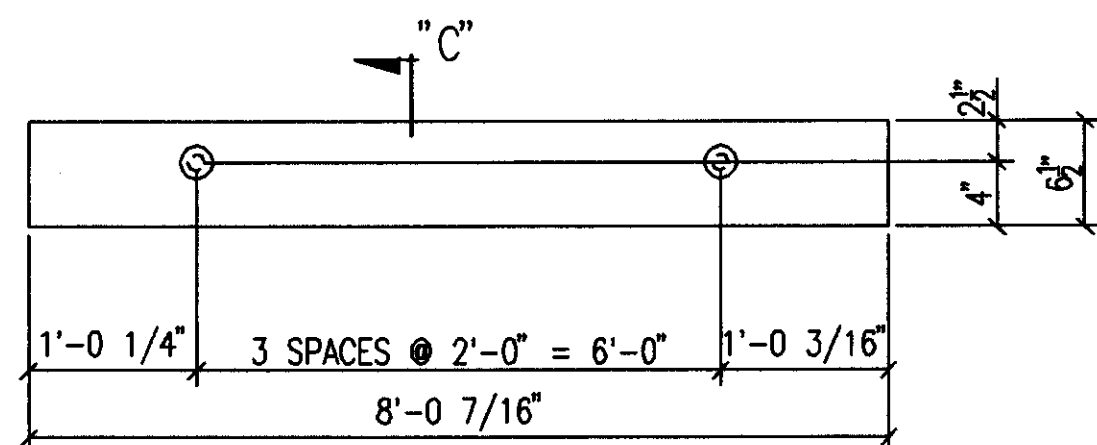
2-CURB PLATES 365M2



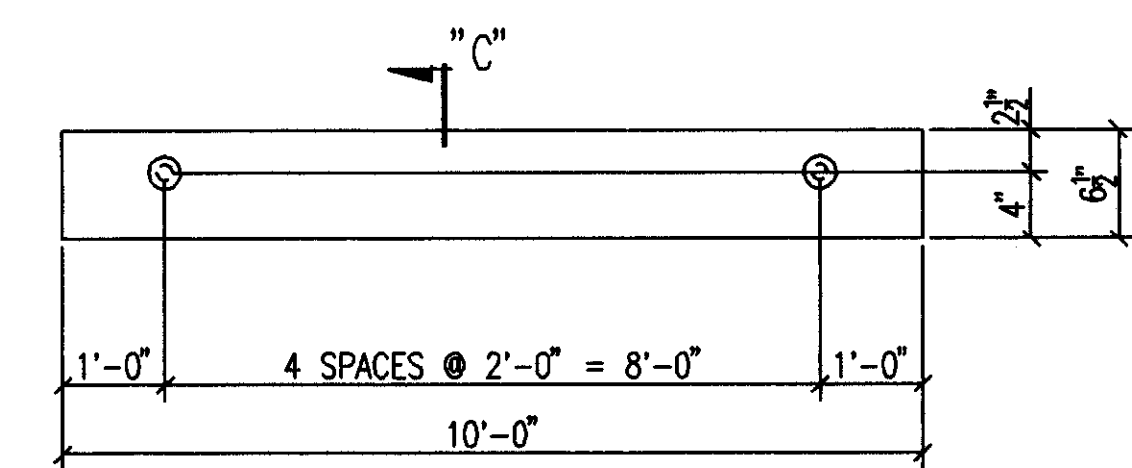
ONE-CURB PLATE 365M3 R [AS SHOWN]  
ONE-CURB PLATE 365M3 L [OPP HAND]



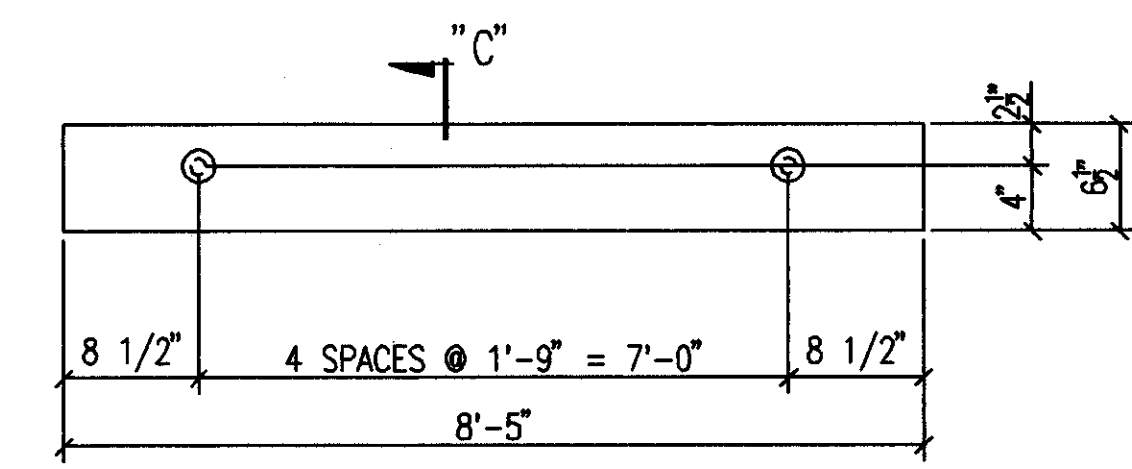
ONE-CURB PLATE 365M4 R [AS SHOWN]  
ONE-CURB PLATE 365M4 L [OPP HAND]



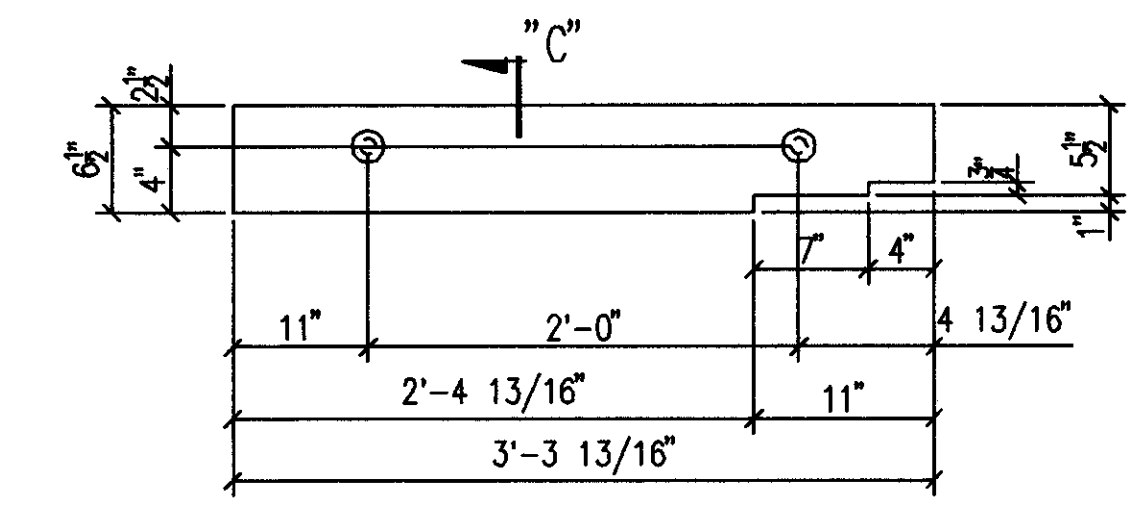
2-CURB PLATES 365M5



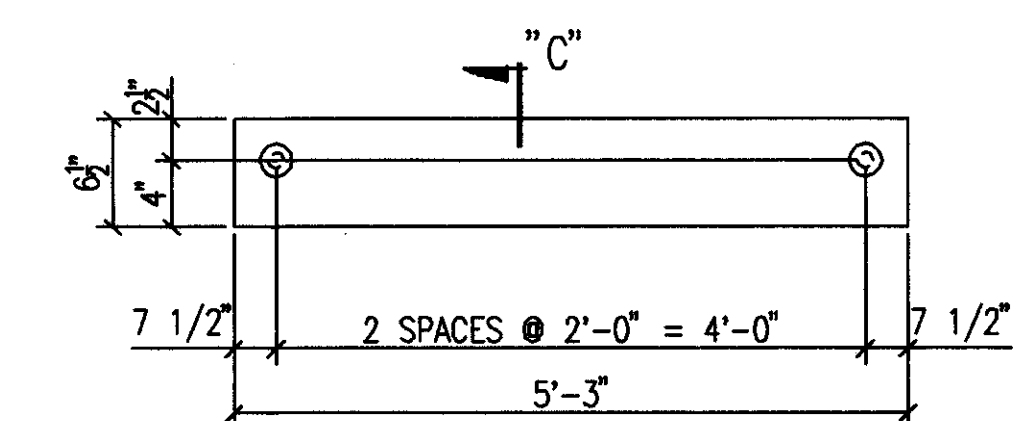
2-CURB PLATES 365M6



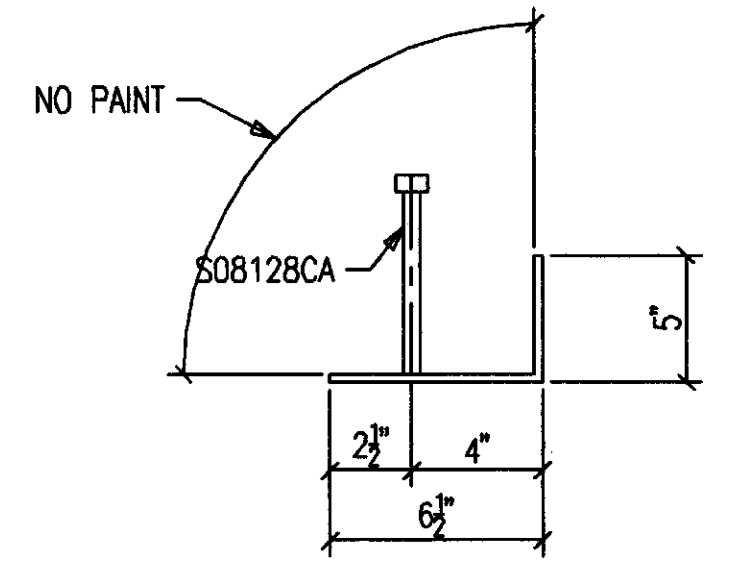
2-CURB PLATES 365M7



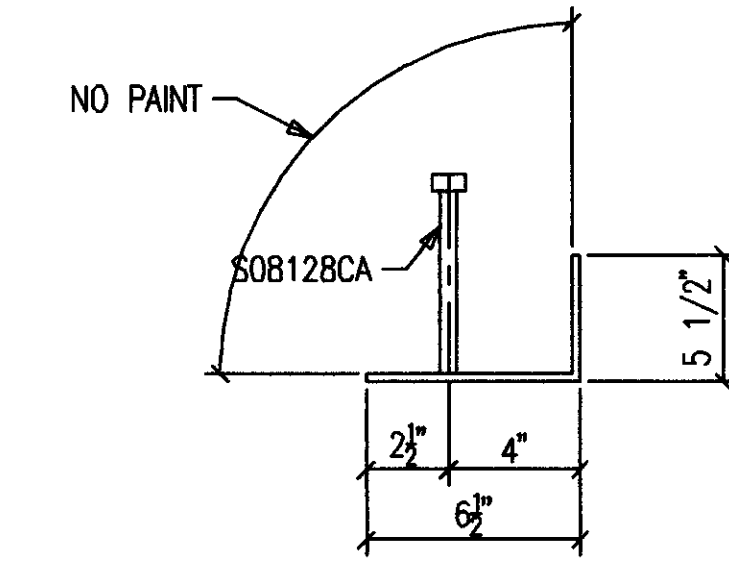
ONE-CURB PLATE 365M8 R [AS SHOWN]  
ONE-CURB PLATE 365M8 L [OPP HAND]



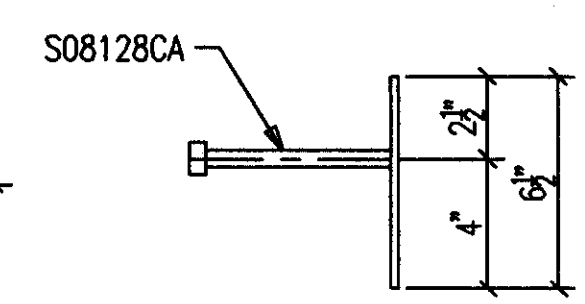
2-CURB PLATES 365M9



SECTION A



SECTION B



SECTION C

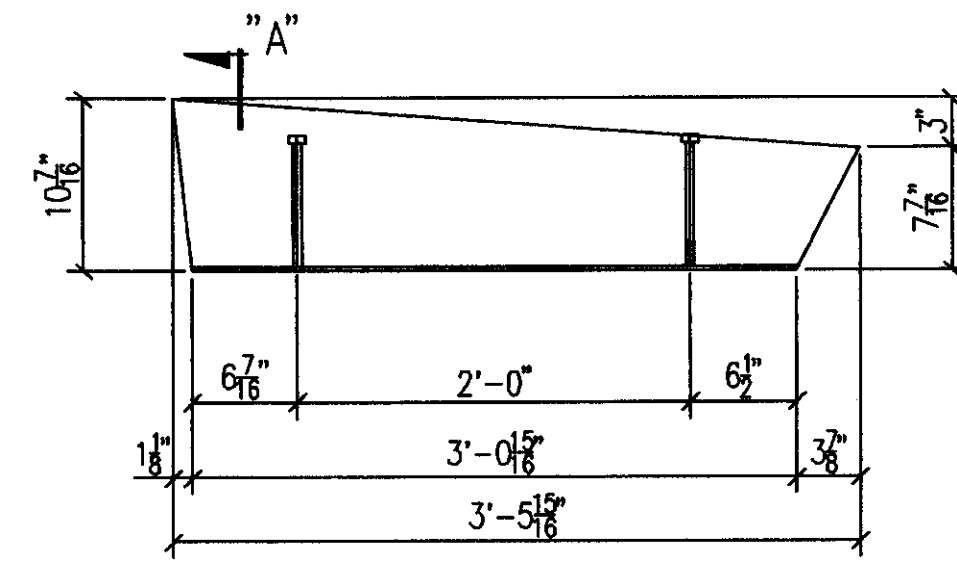
**AS BUILT**  
DATE: AUG 16 1999

ALL RE-ENTRANT CUTS MIN. 1/2" RAD. U/N ALL A325 BOLTS w/ ONE HARD WASH. AND HVY HEX NUT ALL A307 BOLTS w/ HEX NUT				WELD ELECTRODE U/N E70XX SHOP PAINT SEE SPECS		CHECKED BY DATE CONTRACTOR TURNER CONSTRUCTION COMPANY ENGINEER WALTER P. MOORE	
DATE APP SHOP FIELD				DRAWING TITLE CURB PLATES @ SUITE LEVEL		ORDER NO. P3524 SHEET NO. 365	
MID STATES STEEL PRODUCTS CO. FABRICATORS OF STRUCTURAL AND MISCELLANEOUS STEEL				2044 BUCK LANE LEXINGTON, KENTUCKY 40511 PHONE: 606-233-4344 FAX: 606-233-4346		206 C-1	

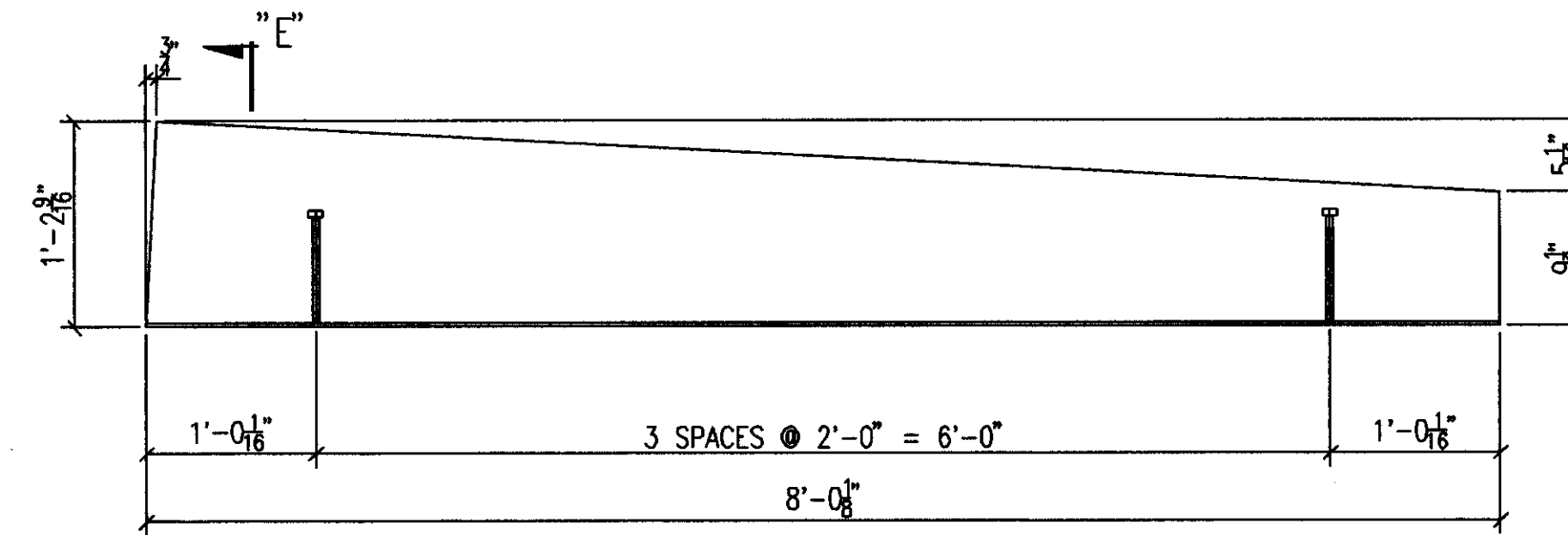
Document # 34741

BILL OF MATERIAL

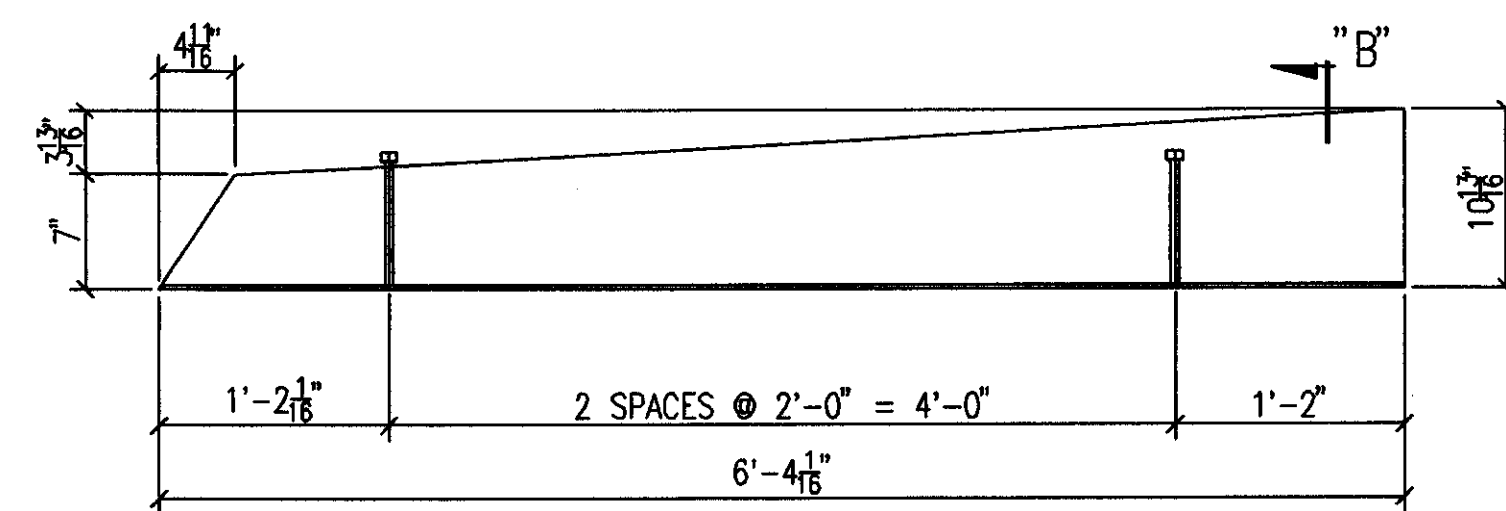
SHIP MARK SUB MARK	NO. PCS.	DESCRIPTION	LENGTH		C T S F	REMARKS
			FT.	IN.		
366M1 L	ONE	CURB PLATE				
366M1	1	PL 1/4X16-7/16	3	5-15/16		BENT
S08128CA	2	A STUD 1/2X8				
366M1 R	ONE	CURB PLATE				
366M1	1	PL 1/4X16-7/16	3	5-15/16		BENT
S08128CA	2	A STUD 1/2X8				
366M2 L	ONE	CURB PLATE				
366M2	1	PL 1/4X16-13/16	6	4-1/16		BENT
S08128CA	3	A STUD 1/2X8				
366M2 R	ONE	CURB PLATE				
366M2	1	PL 1/4X16-13/16	6	4-1/16		BENT
S08128CA	3	A STUD 1/2X8				
366M3 L	ONE	CURB PLATE				
366M3	1	PL 1/4X20-9/16	6	0		BENT
S08128CA	3	A STUD 1/2X8				
366M3 R	ONE	CURB PLATE				
366M3	1	PL 1/4X20-9/16	6	0		BENT
S08128CA	3	A STUD 1/2X8				
366M4 L	2	CURB PLATES				
366M4	2	PL 1/4X25-11/16	8	0-1/8		BENT
S08128CA	8	A STUD 1/2X8				
366M4 R	2	CURB PLATES				
366M4	2	PL 1/4X25-11/16	8	0-1/8		BENT
S08128CA	8	A STUD 1/2X8				
366M5 L	ONE	CURB PLATE				
366M5	1	PL 1/4X20-9/16	8	0-1/8		BENT
S08128CA	4	A STUD 1/2X8				
366M5 R	ONE	CURB PLATE				
366M5	1	PL 1/4X20-9/16	8	0-1/8		BENT
S08128CA	4	A STUD 1/2X8				
366M6 L	ONE	CURB PLATE				
366M6	1	PL 1/4X15-1/2	4	0-1/4		BENT
S08128CA	2	A STUD 1/2X8				
366M6 R	ONE	CURB PLATE				
366M6	1	PL 1/4X15-1/2	4	0-1/4		BENT
S08128CA	2	A STUD 1/2X8				



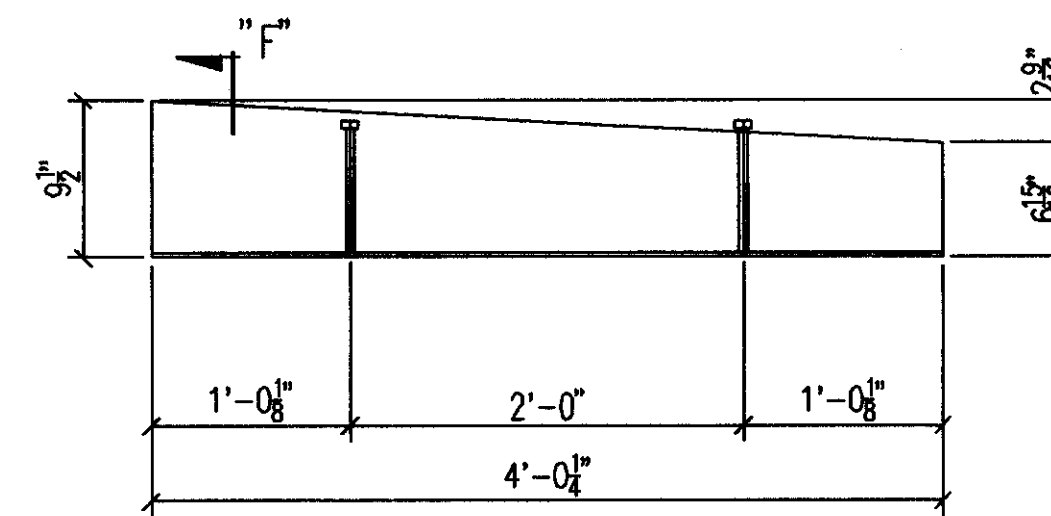
ONE-CURB PLATE 366M1 R [AS SHOWN]  
ONE-CURB PLATE 366M1 L [OPP HAND]



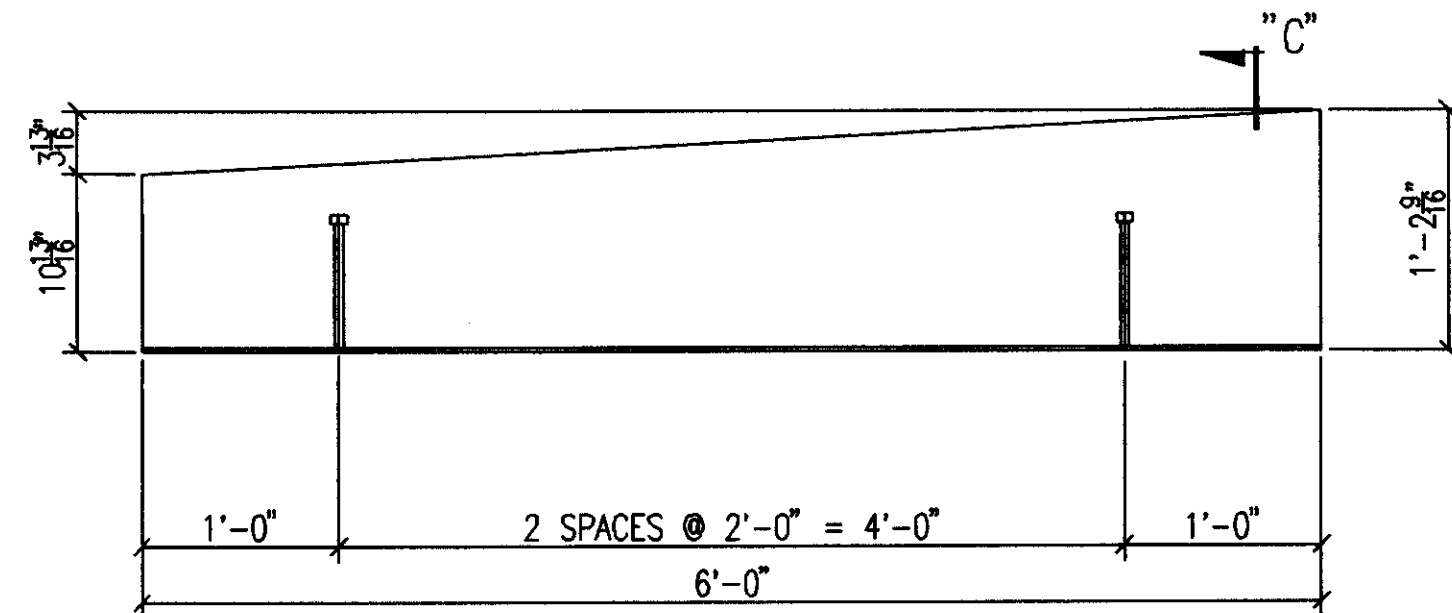
ONE-CURB PLATE 366M5 R [AS SHOWN]  
ONE-CURB PLATE 366M5 L [OPP HAND]



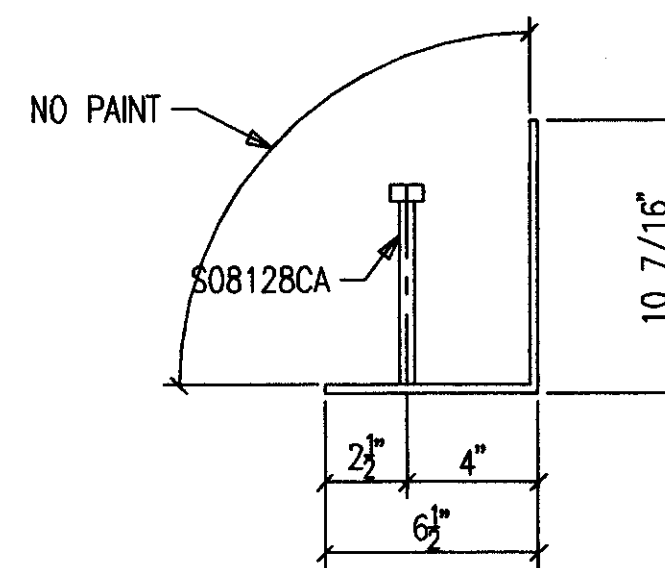
ONE-CURB PLATE 366M2 R [AS SHOWN]  
ONE-CURB PLATE 366M2 L [OPP HAND]



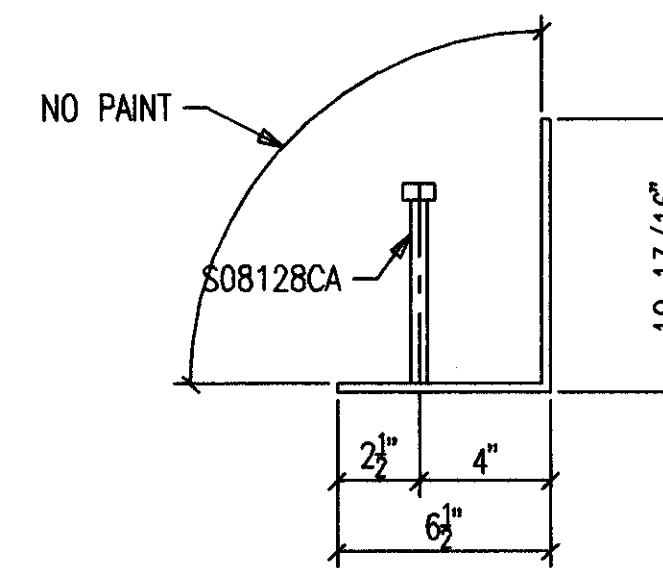
ONE-CURB PLATE 366M6 R [AS SHOWN]  
ONE-CURB PLATE 366M6 L [OPP HAND]



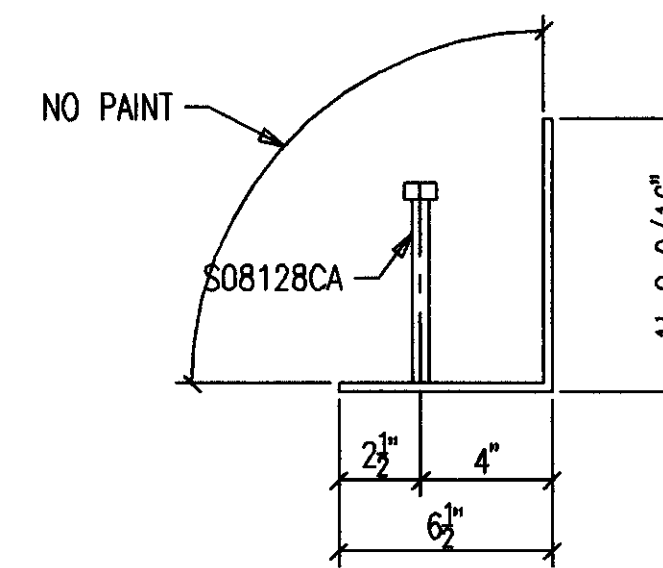
ONE-CURB PLATE 366M3 R [AS SHOWN]  
ONE-CURB PLATE 366M3 L [OPP HAND]



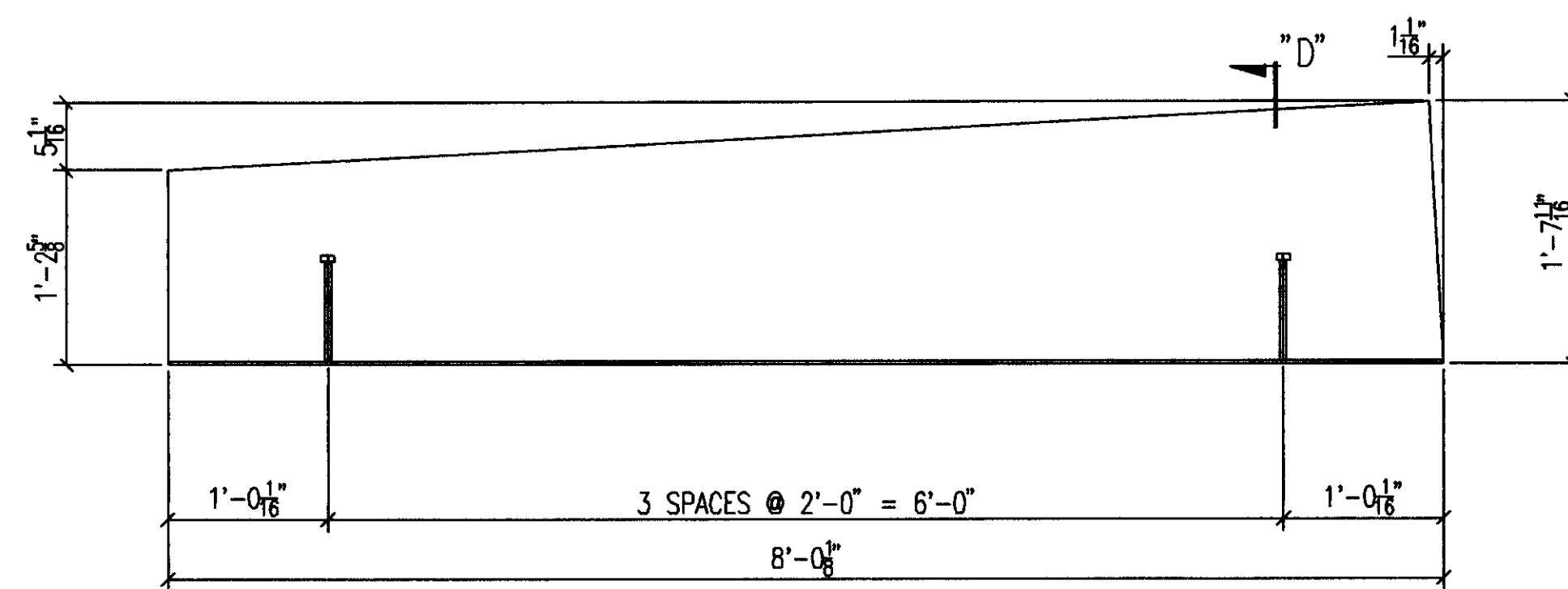
SECTION A



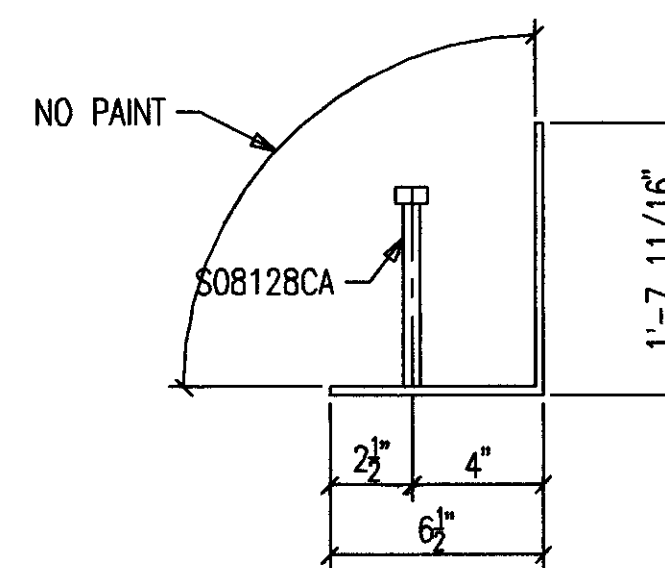
SECTION B



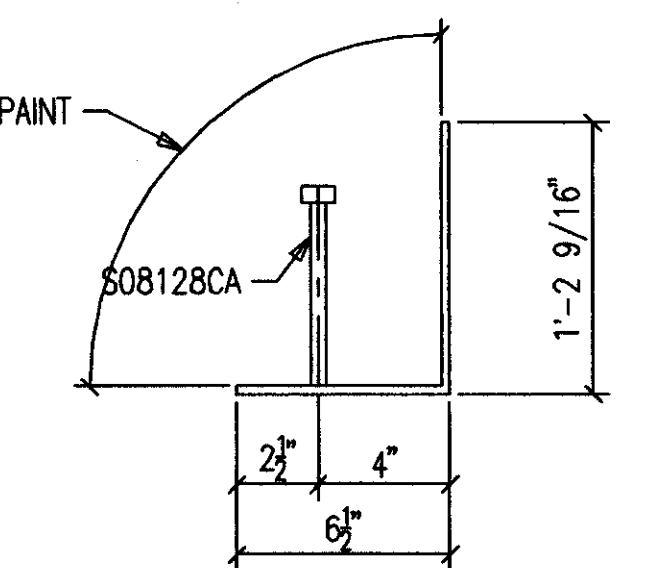
SECTION C



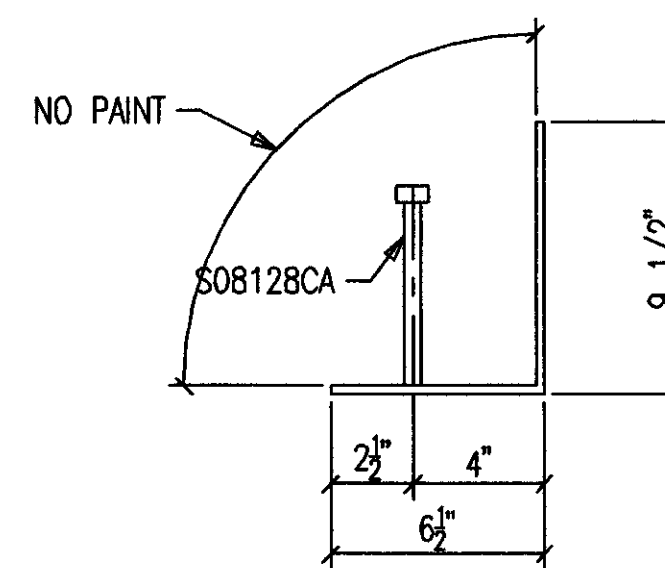
2-CURB PLATES 366M4 R [AS SHOWN]  
2-CURB PLATES 366M4 L [OPP HAND]



SECTION D



SECTION E



SECTION F

AS BUILT  
NAME: *Map Hughes*  
DATE: AUG 16 1999

DATE	APP	SHOP	FIELD

NO.	DATE	REVISION DESCRIPTION	DWG.	LOG

CONTRACTOR TO CHECK ALL DIMENSIONS AT JOB AS MID STATES STEEL PRODUCTS CO. ASSUMES NO RESPONSIBILITY FOR GENERAL BUILDING DIMENSIONS. NO BACK CHARGES PERTAINING TO THIS WORK WILL BE ACCEPTED WITHOUT PRIOR AUTHORIZATION BY MID STATES STEEL PRODUCTS CO.

MATERIAL U/N A36	DRAWN BY SC	JOB NAME COMMONWEALTH STADIUM EXPANSION
OPEN HOLES U/N 13/16" Ø	DATE 1/99	JOB LOCATION UNIVERSITY OF KENTUCKY
WELD ELECTRODE U/N E70XX	CHECKED BY	CONTRACTOR TURNER CONSTRUCTION COMPANY
SHOP PAINT SEE SPECS	DATE	ENGINEER WALTER P. MOORE
DRAWING TITLE CURB PLATES @ SUITE LEVEL		

2044 BUCK LANE  
LEXINGTON, KENTUCKY 40511  
PHONE: 606-233-4344 FAX: 606-233-4346

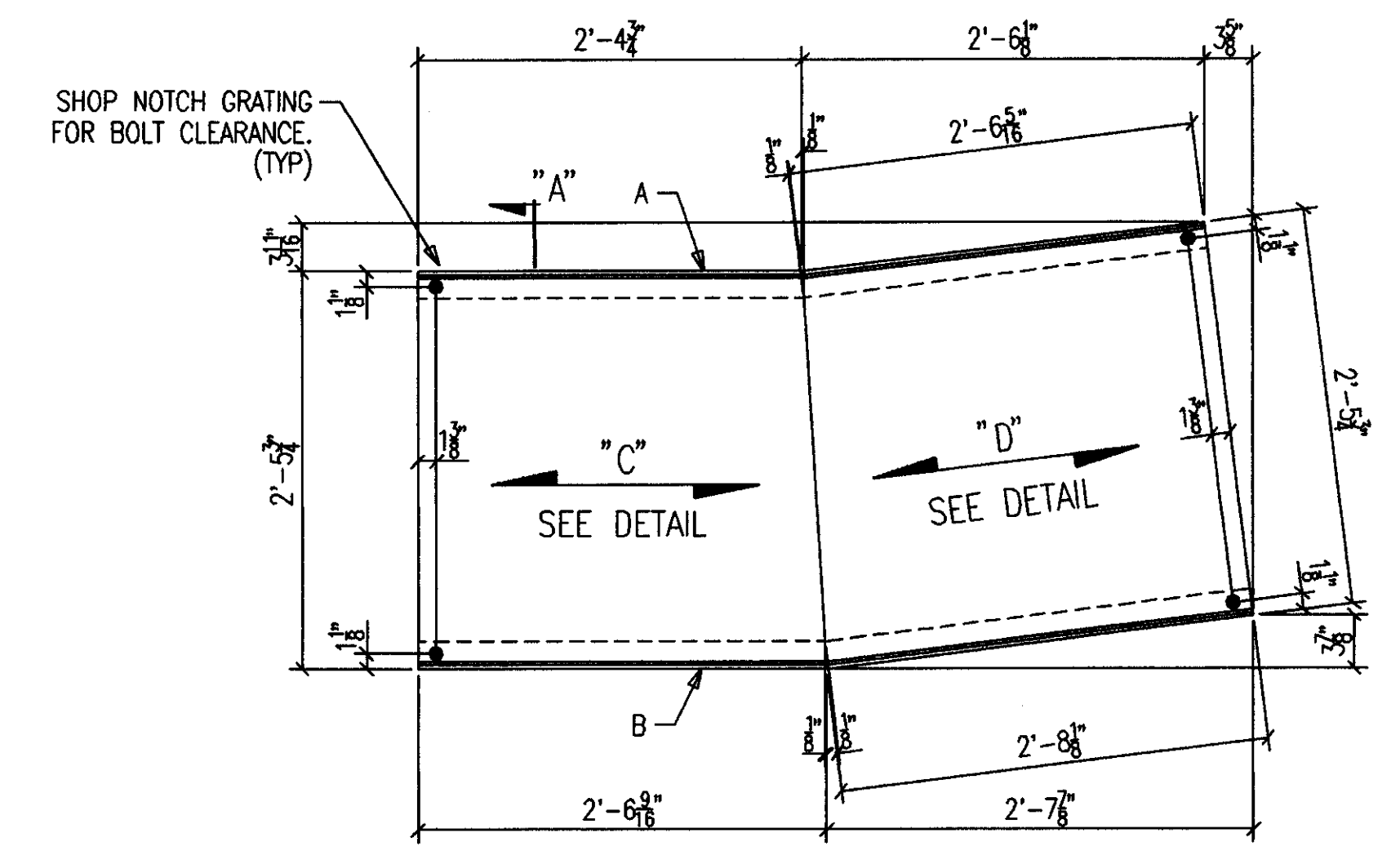
ORDER NO. P3524  
SHEET NO. 366

FABRICATORS OF STRUCTURAL AND MISCELLANEOUS STEEL

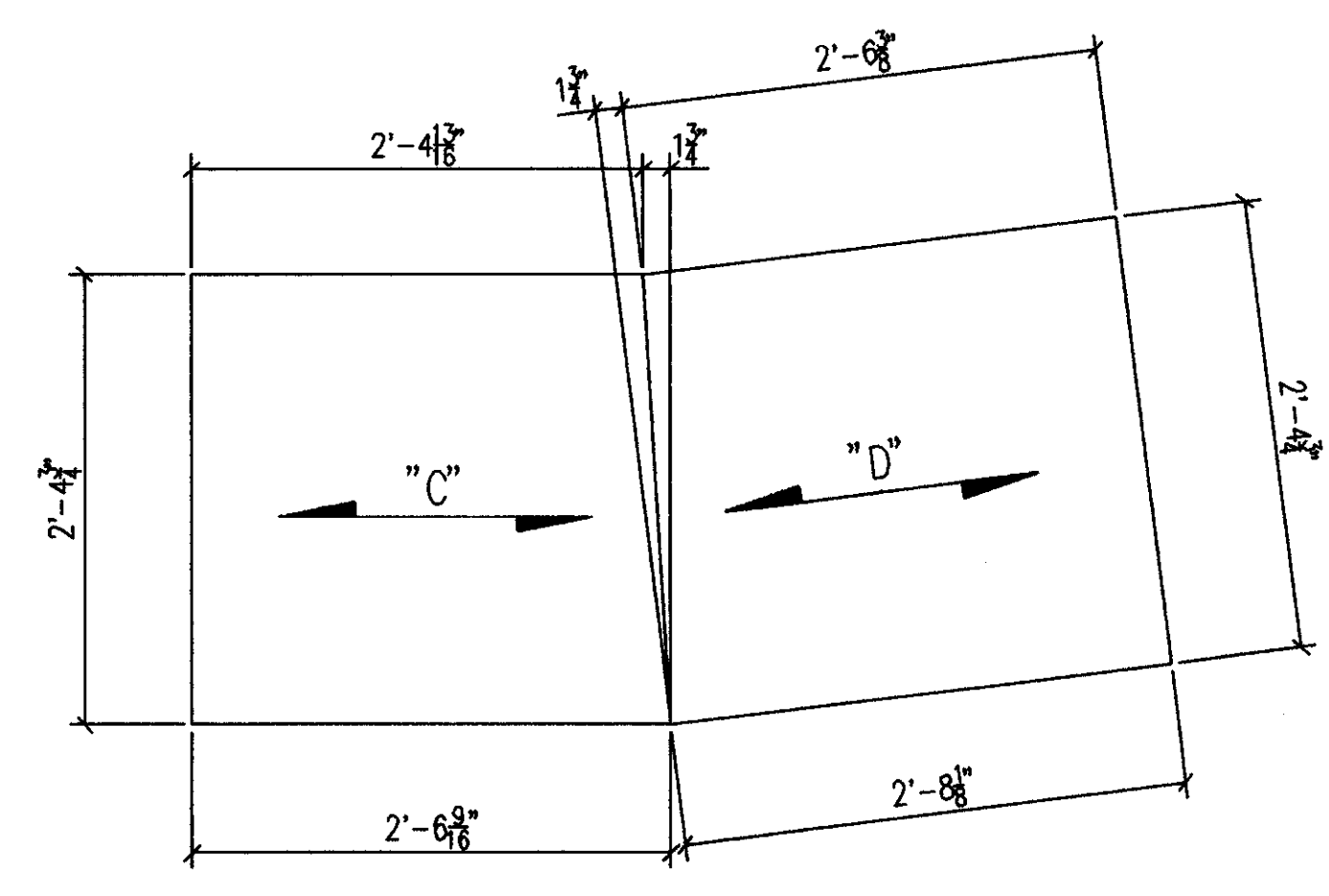
Doc # 34742  
Cab # 206  
S10t  
C-1

BILL OF MATERIAL

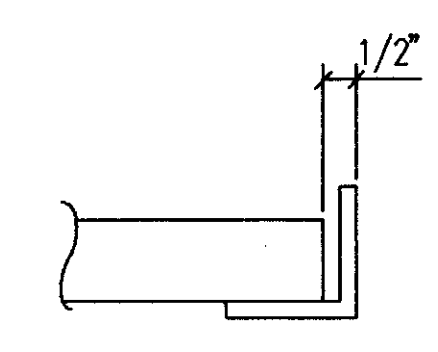
SHIP MARK SUB MARK	NO. PCS.	DESCRIPTION	LENGTH		C U S T	REMARKS
			FT.	IN.		
ALL GRATING TO BE 1-1/2" X 3/16"						
PLAIN BEARING BARS @ 1-3/16" C/C						
W/TWISTED CROSSBARS @ 4" C/C ~ GALV.						
367GP1 L	ONE	GRATING				GALV
A367	1	L2X2X3/16	4	11-1/16		BENT
B367	1	L2X2X3/16	5	2-11/16		BENT
C367	1	GP1-1/2X3/16 X 28-11/16	2	6-9/16		
D367	1	GP1-1/2X3/16 X 28-11/16	2	8-1/8		
367GP1 R	ONE	GRATING				GALV
A367	1	L2X2X3/16	4	11-1/16		BENT
B367	1	L2X2X3/16	5	2-11/16		BENT
C367	1	GP1-1/2X3/16 X 28-11/16	2	6-9/16		
D367	1	GP1-1/2X3/16 X 28-11/16	2	8-1/8		
367GP2 L	2	GRATING				GALV
E367	2	L2X2X3/16	5	7-5/8		BENT
F367	2	L2X2X3/16	5	3-3/16		BENT
G367	2	GP1-1/2X3/16 X 28-11/16	2	11-11/16		
H367	2	GP1-1/2X3/16 X 28-11/16	2	7-7/8		
367GP2 R	2	GRATING				GALV
E367	2	L2X2X3/16	5	7-5/8		BENT
F367	2	L2X2X3/16	5	3-3/16		BENT
G367	2	GP1-1/2X3/16 X 28-11/16	2	11-11/16		
H367	2	GP1-1/2X3/16 X 28-11/16	2	7-7/8		
FIELD BOLTS						
F1228AMG	25	A325 3/4X1-3/4 MG				MECH. GALV.



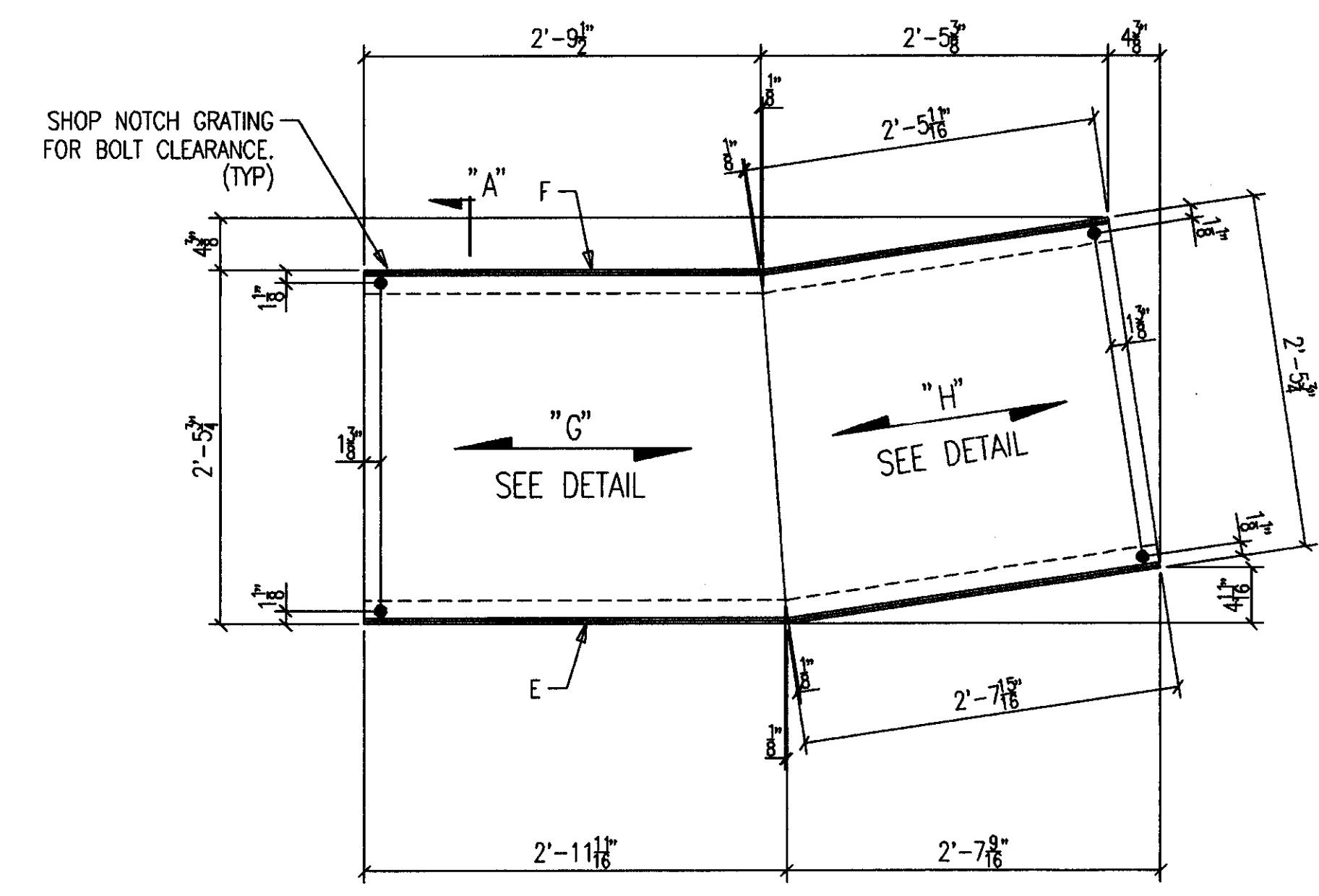
ONE-GRATING 367GP1 R [AS SHOWN]  
ONE-GRATING 367GP1 L [OPP HAND]  
8-A325 3/4 X 1 3/4 F1228AMG



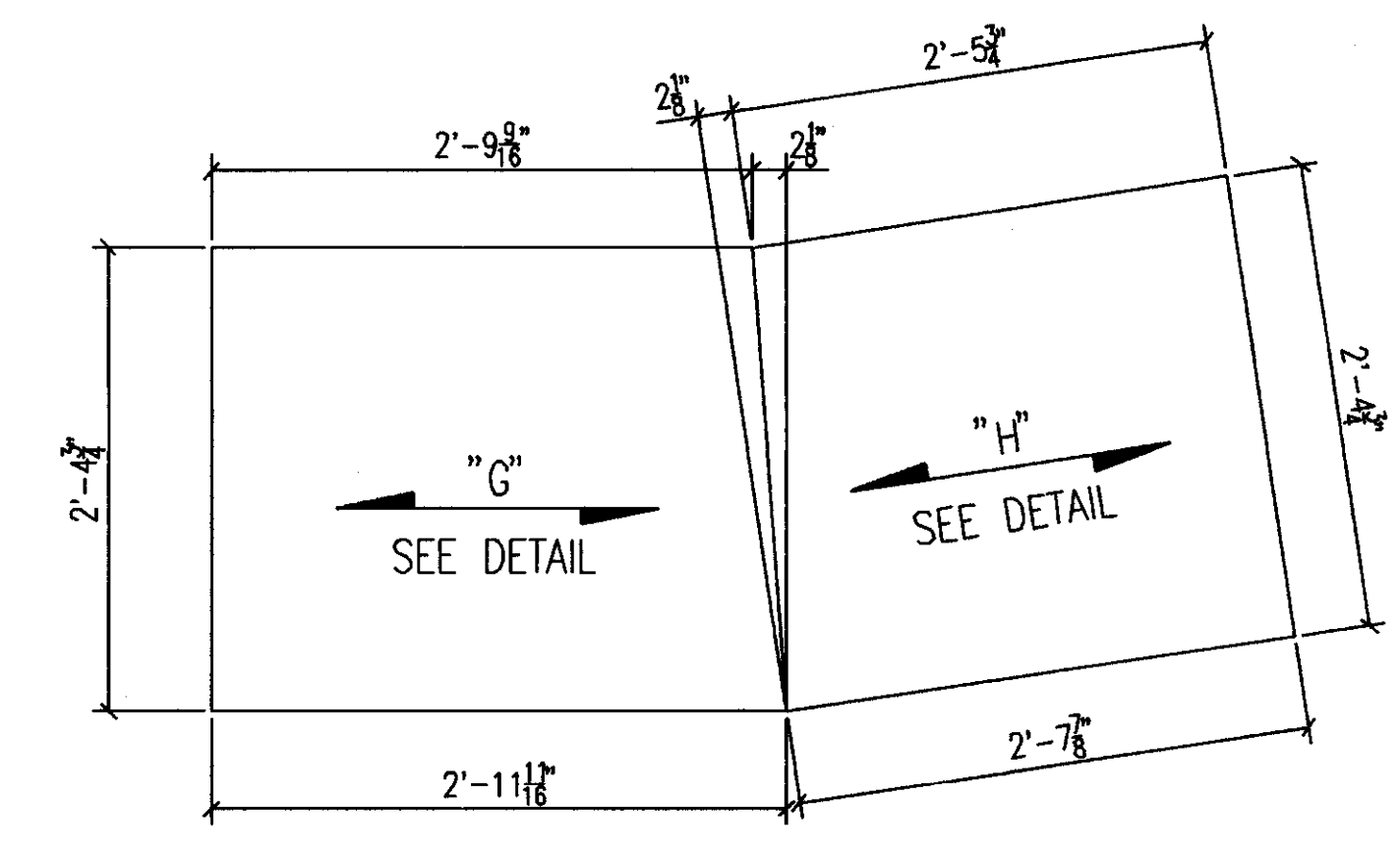
GRATING DETAIL FOR GP1 R/L



SECTION A



2-GRATING 367GP2 R [AS SHOWN]  
2-GRATING 367GP2 L [OPP HAND]  
16-A325 3/4 X 1 3/4 F1228AMG

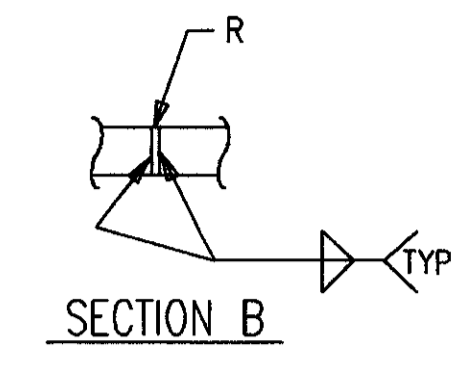
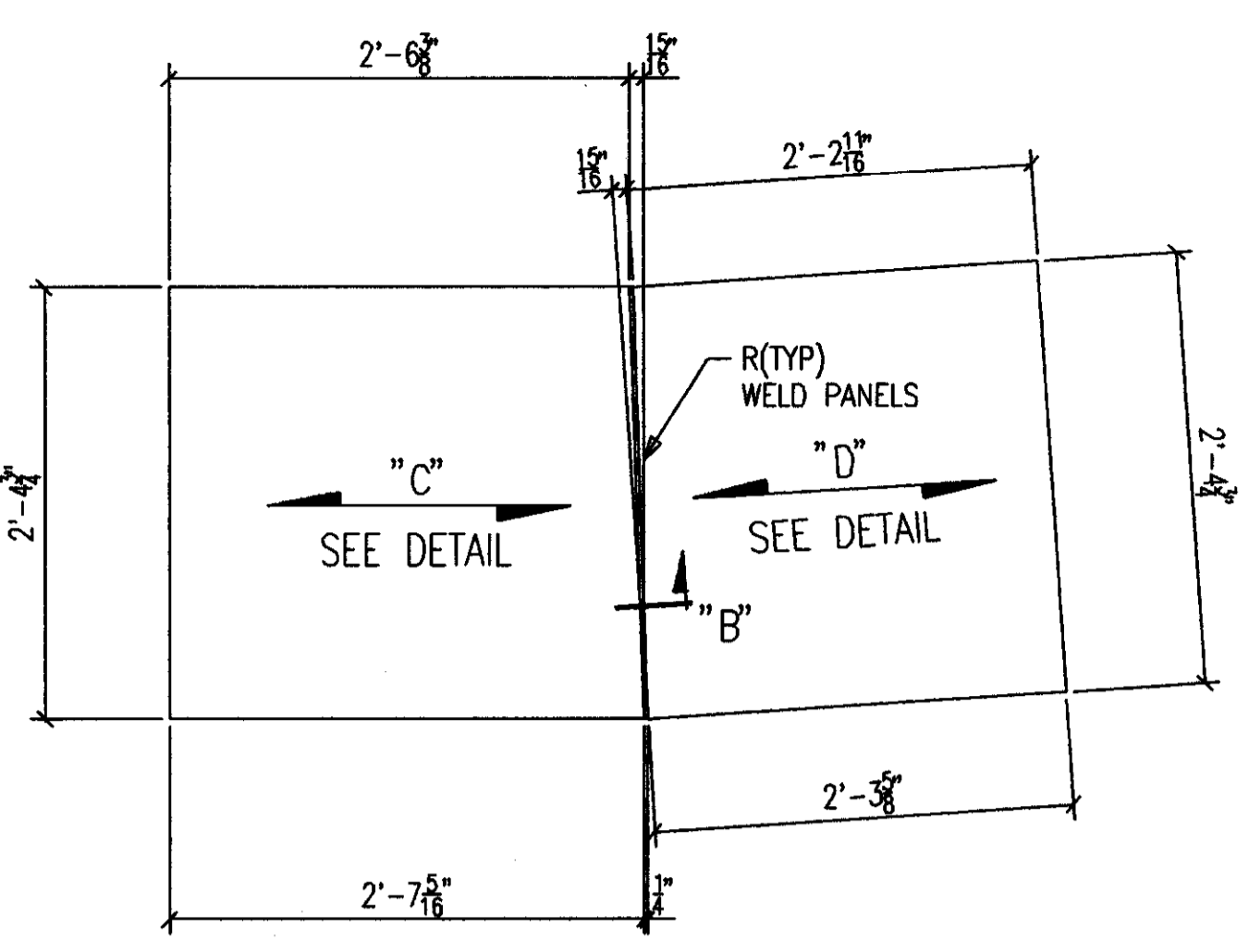
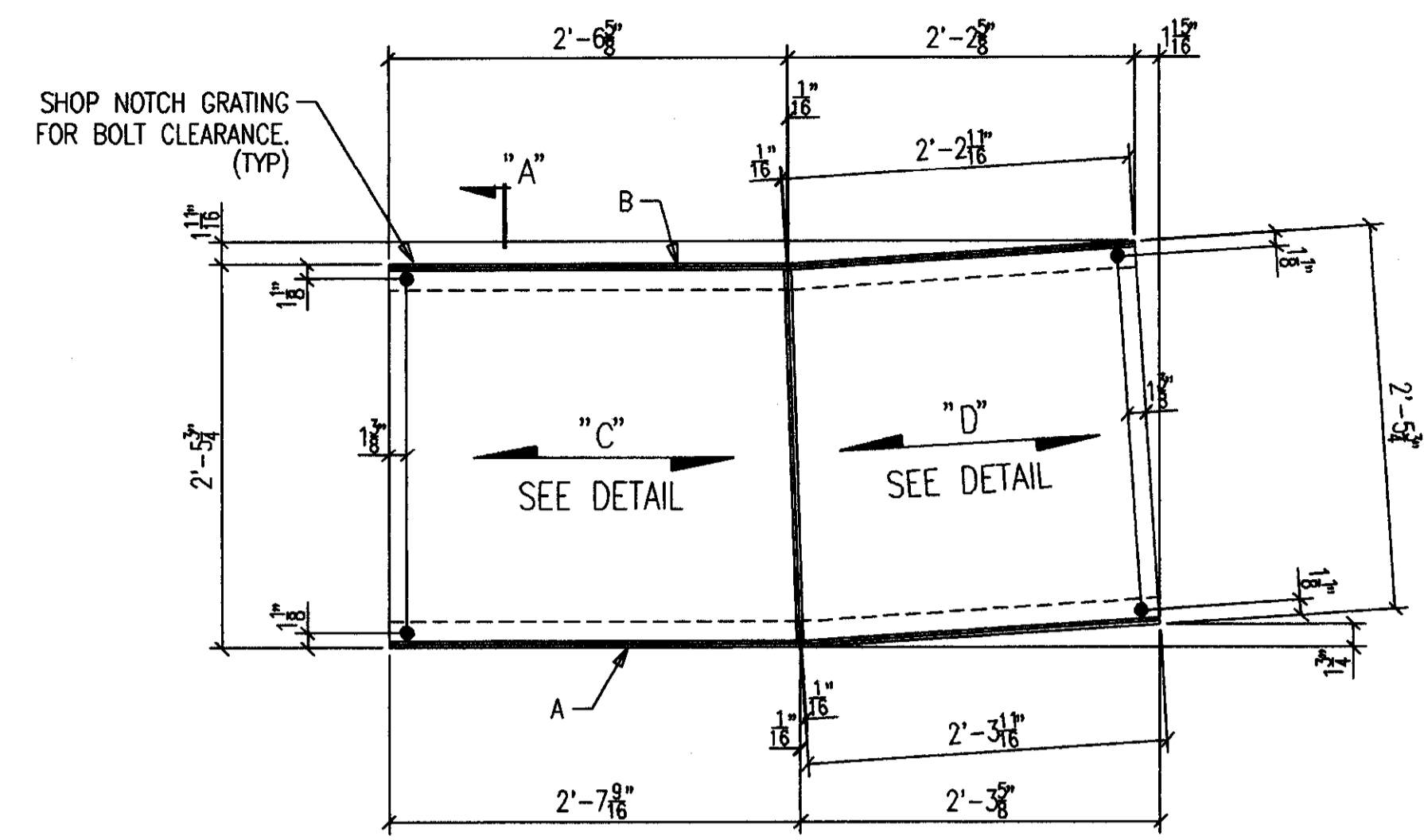


GRATING DETAIL FOR GP2 R/L

**AS BUILT**  
NAME: *Map Hughes*  
DATE: **AUG 16 1999**

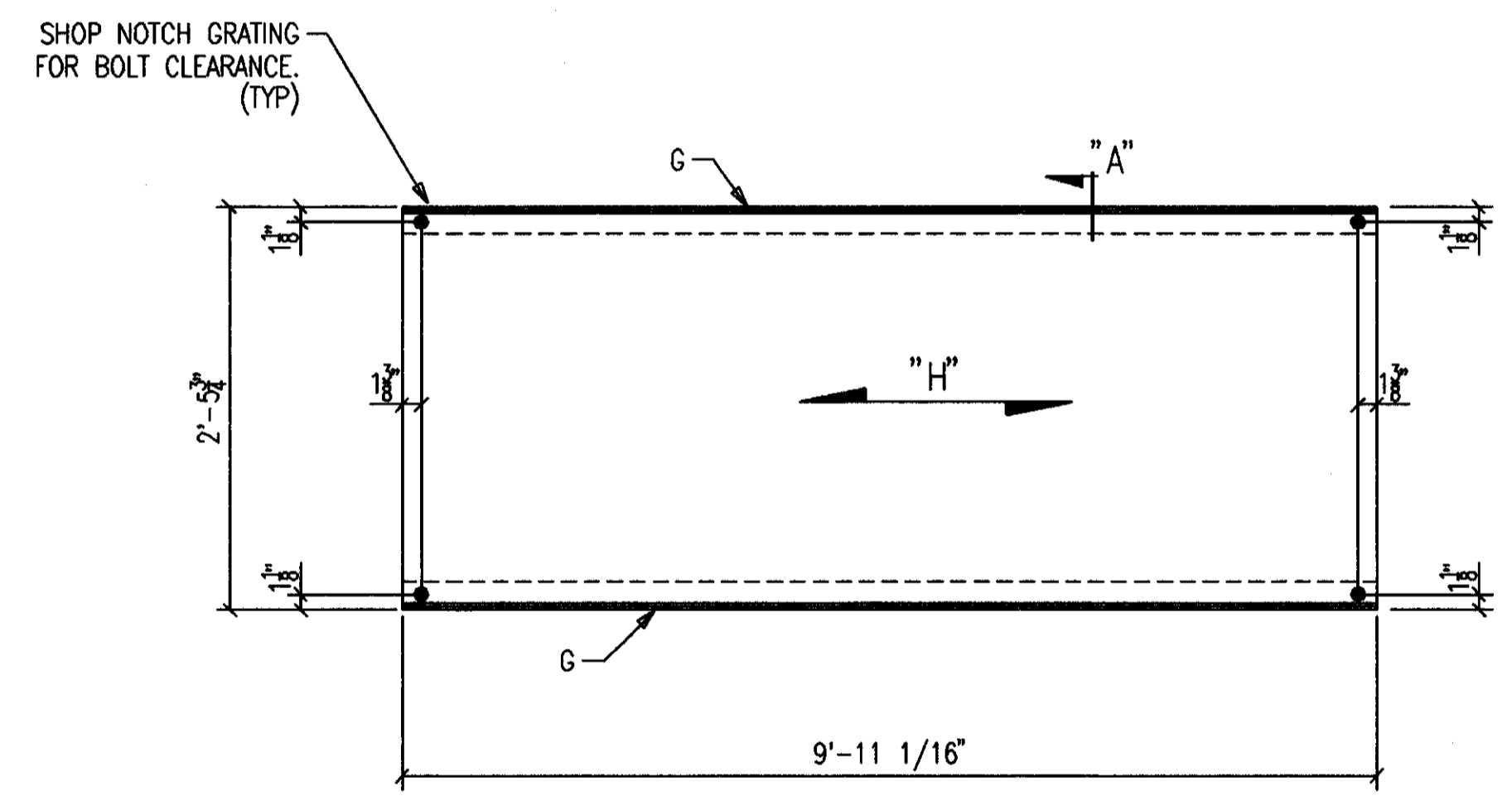
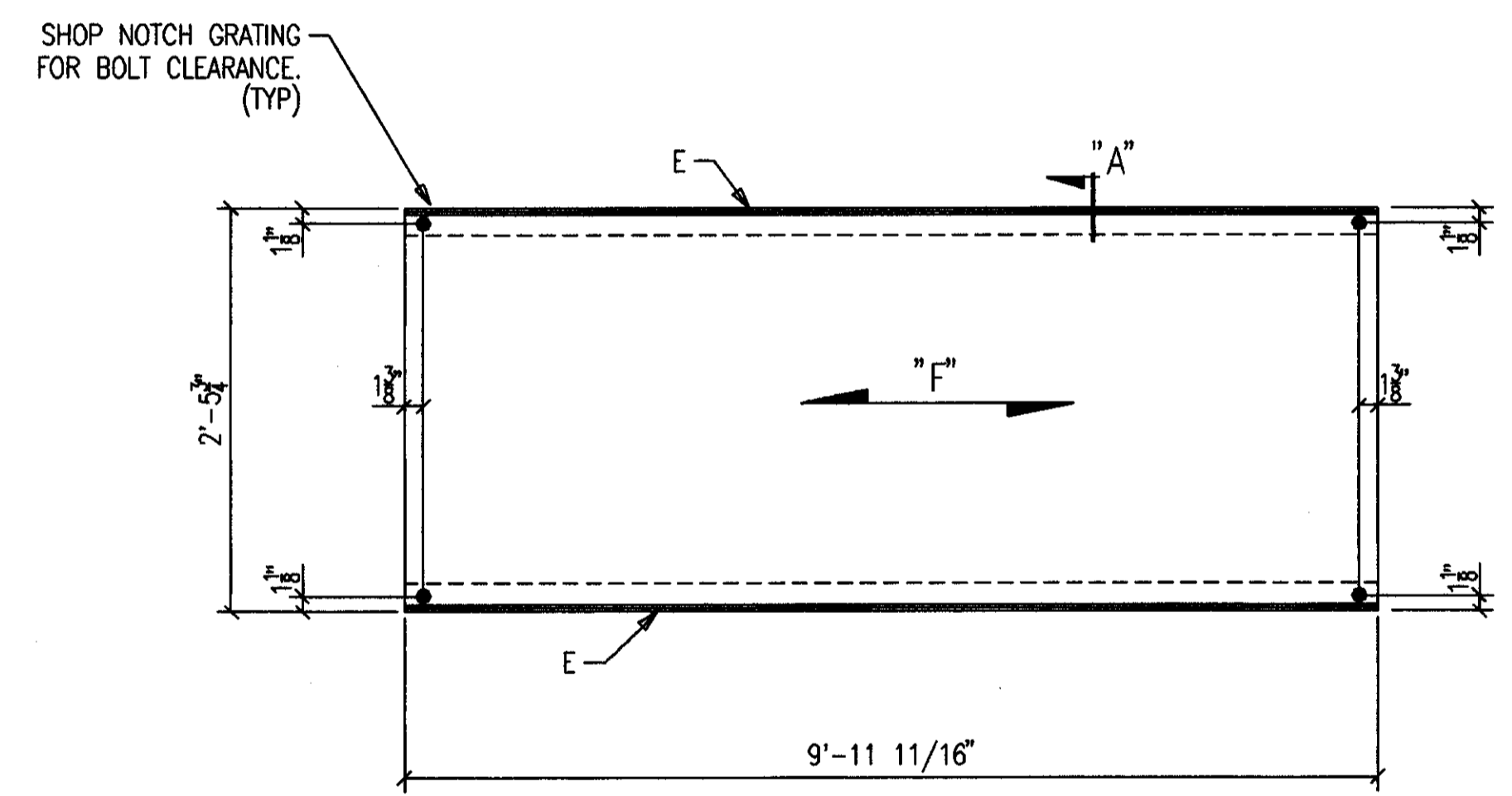
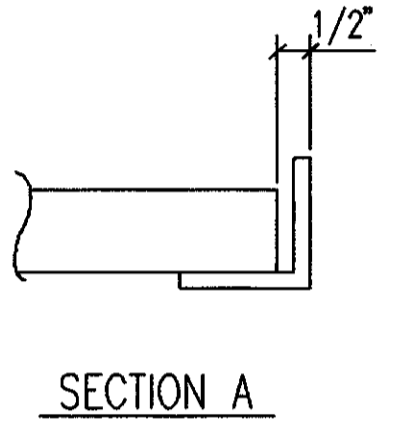
ALL RE-ENTRANT CUTS MIN. 1/2" RAD. U/N		WELD ELECTRODE U/N E70XX		CHECKED BY		CONTRACTOR	
ALL A325 BOLTS w/ONE HARD WASH. AND Hvy HEX NUT		SHOP PAINT SEE SPECS		DATE		ENGINEER	
ALL A307 BOLTS w/HEX NUT		DRAWING TITLE		WINDOW WASHING FRAMES		ORDER NO.	
DATE	APP	SHOP	FIELD	2044 BUCK LANE LEXINGTON, KENTUCKY 40511 PHONE: 606-233-4344 FAX: 606-233-4346		P3524	
MID STATES STEEL PRODUCTS CO.						SHEET NO. 367	
FABRICATORS OF STRUCTURAL AND MISCELLANEOUS STEEL							

Cab # Slot Document #  
 206 C-1 34743



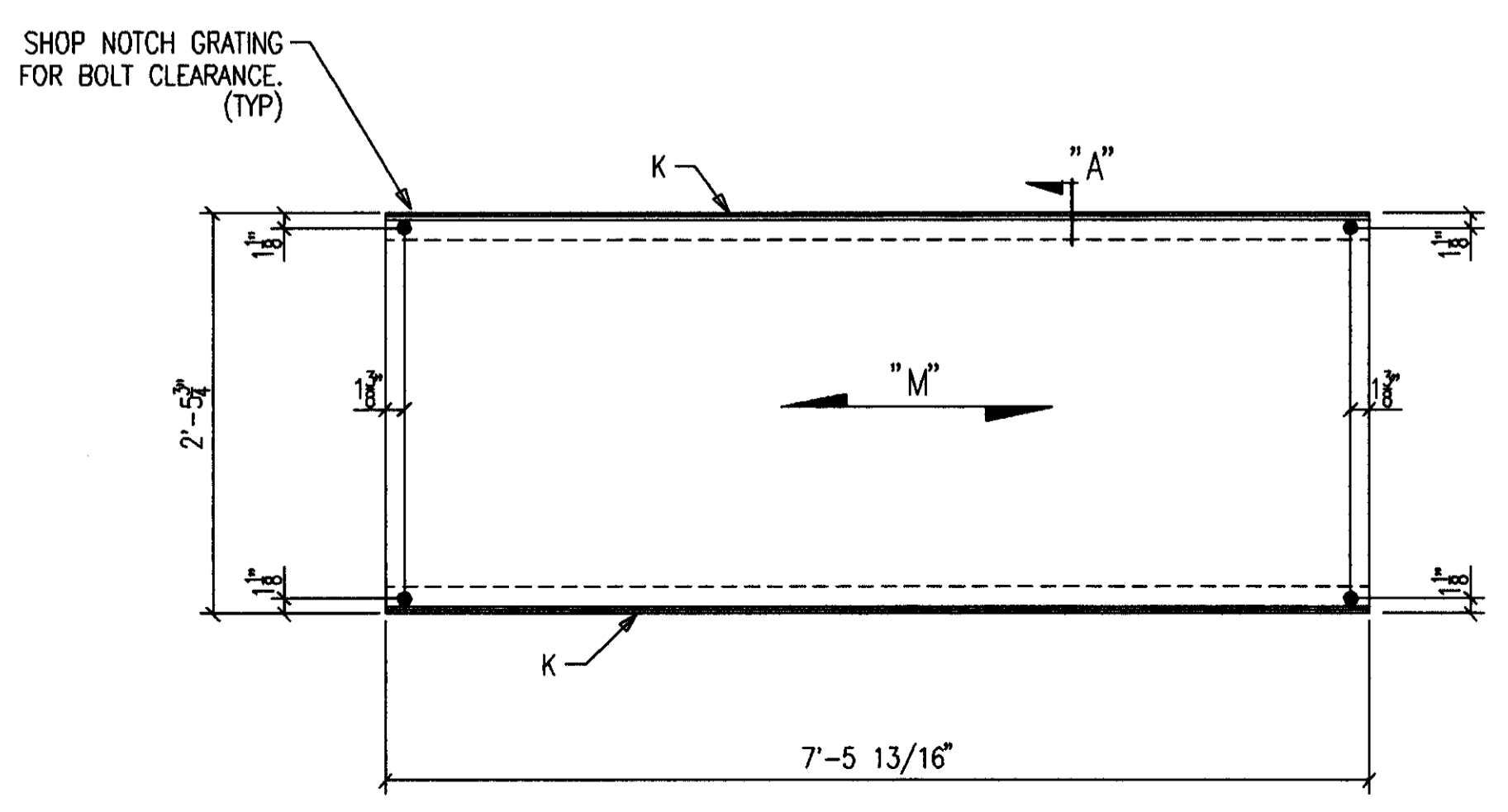
3-GRATING 368GP1 R [AS SHOWN]  
 3-GRATING 368GP1 L [OPP HAND]  
 24-A325 3/4 X 1 3/4 F1228AMG

GRATING DETAIL FOR GP1 R/L



7-GRATING 368GP2  
 28-A325 3/4 X 1 3/4 F1228AMG

ONE-GRATING 368GP3  
 4-A325 3/4 X 1 3/4 F1228AMG



ONE-GRATING 368GP4  
 4-A325 3/4 X 1 3/4 F1228AMG

BILL OF MATERIAL

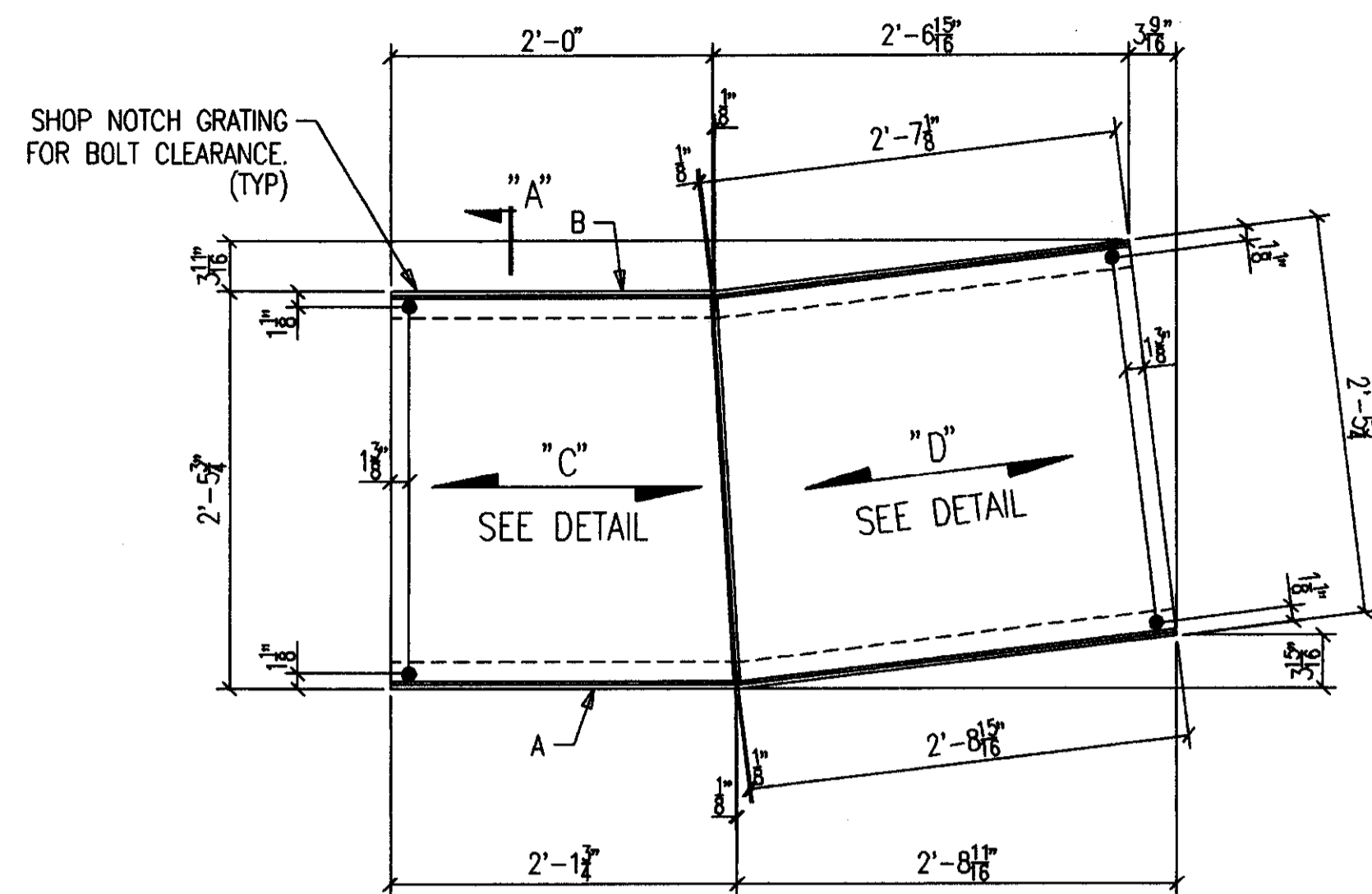
SHIP MARK SUB MARK	NO. PCS.	DESCRIPTION	LENGTH		CL UST T	REMARKS
			FT.	IN.		
		ALL GRATING TO BE 1-1/2" X 3/16" PLAIN BEARING BARS @ 1-3/16" C/C W/TWISTED CROSSBARS @ 4" C/C ~ GALV.				
368GP1 L	3	GRATING				GALV
A368	3	L2X2X3/16	4	11-1/4		P/BENT
B368	3	L2X2X3/16	4	9-5/16		P/BENT
C368	3	GP1-1/2X3/16 X 28-11/16	2	7-5/16		
D368	3	GP1-1/2X3/16 X 28-11/16	2	3-5/8		
R368	3	FB1/4X1-1/2	2	4-3/4		
368GP1 R	3	GRATING				GALV
A368	3	L2X2X3/16	4	11-1/4		P/BENT
B368	3	L2X2X3/16	4	9-5/16		P/BENT
C368	3	GP1-1/2X3/16 X 28-11/16	2	7-5/16		
D368	3	GP1-1/2X3/16 X 28-11/16	2	3-5/8		
R368	3	FB1/4X1-1/2	2	4-3/4		
368GP2	7	GRATING				GALV
E368	14	L2X2X3/16	9	11-11/16		P
F368	7	GP1-1/2X3/16 X 28-11/16	9	11-11/16		
368GP3	ONE	GRATING				GALV
G368	2	L2X2X3/16	9	11-1/16		P
H368	1	GP1-1/2X3/16 X 28-11/16	9	11-1/16		
368GP4	ONE	GRATING				GALV
K368	2	L2X2X3/16	7	5-13/16		P
M368	1	GP1-1/2X3/16 X 28-11/16	7	5-13/16		
		FIELD BOLTS				
F1228AMG	61	A325 3/4X1-3/4 MG				MECH. GALV.

AS BUILT  
 NAME: *W. Hughes*  
 DATE: AUG 16 1999

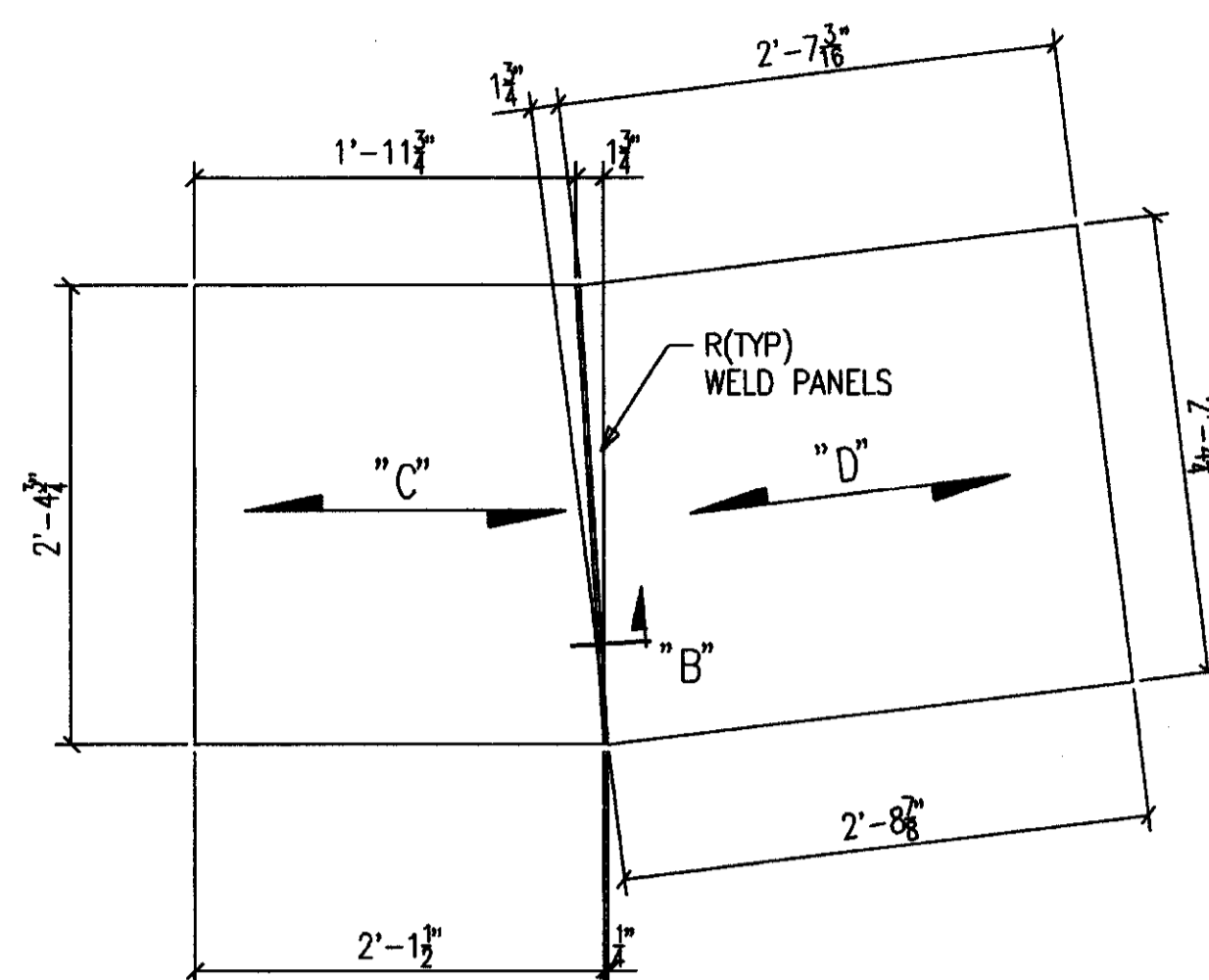
CONTRACTOR TO CHECK ALL DIMENSIONS AT JOB AS MID STATES STEEL PRODUCTS CO. ASSUMES NO RESPONSIBILITY FOR GENERAL BUILDING DIMENSIONS. NO BACK CHARGES PERTAINING TO THIS WORK WILL BE ACCEPTED WITHOUT PRIOR AUTHORIZATION BY MID STATES STEEL PRODUCTS CO.		DATE	REVISION DESCRIPTION	DWN	CRD
MATERIAL U/M	A36	DRAWN BY	SC	JOB NAME COMMONWEALTH STADIUM EXPANSION	
OPEN HOLES U/M	13/16" Ø	DATE	1/99	JOB LOCATION UNIVERSITY OF KENTUCKY	
WELD ELECTRODE U/M	E70XX	CHECKED BY	CONTRACTOR	TURNER CONSTRUCTION COMPANY	
SHOP PAINT	SEE SPECS	DATE	ENGINEER	WALTER P. MOORE	
DRAWING TITLE WINDOW WASHING FRAMES					
2044 BUCK LANE LEXINGTON, KENTUCKY 40511 PHONE: 606-233-4344 FAX: 606-233-4346				ORDER NO. P3524	
MID STATES STEEL PRODUCTS CO. FABRICATORS OF STRUCTURAL AND MISCELLANEOUS STEEL				SHEET NO. 368	

### BILL OF MATERIAL

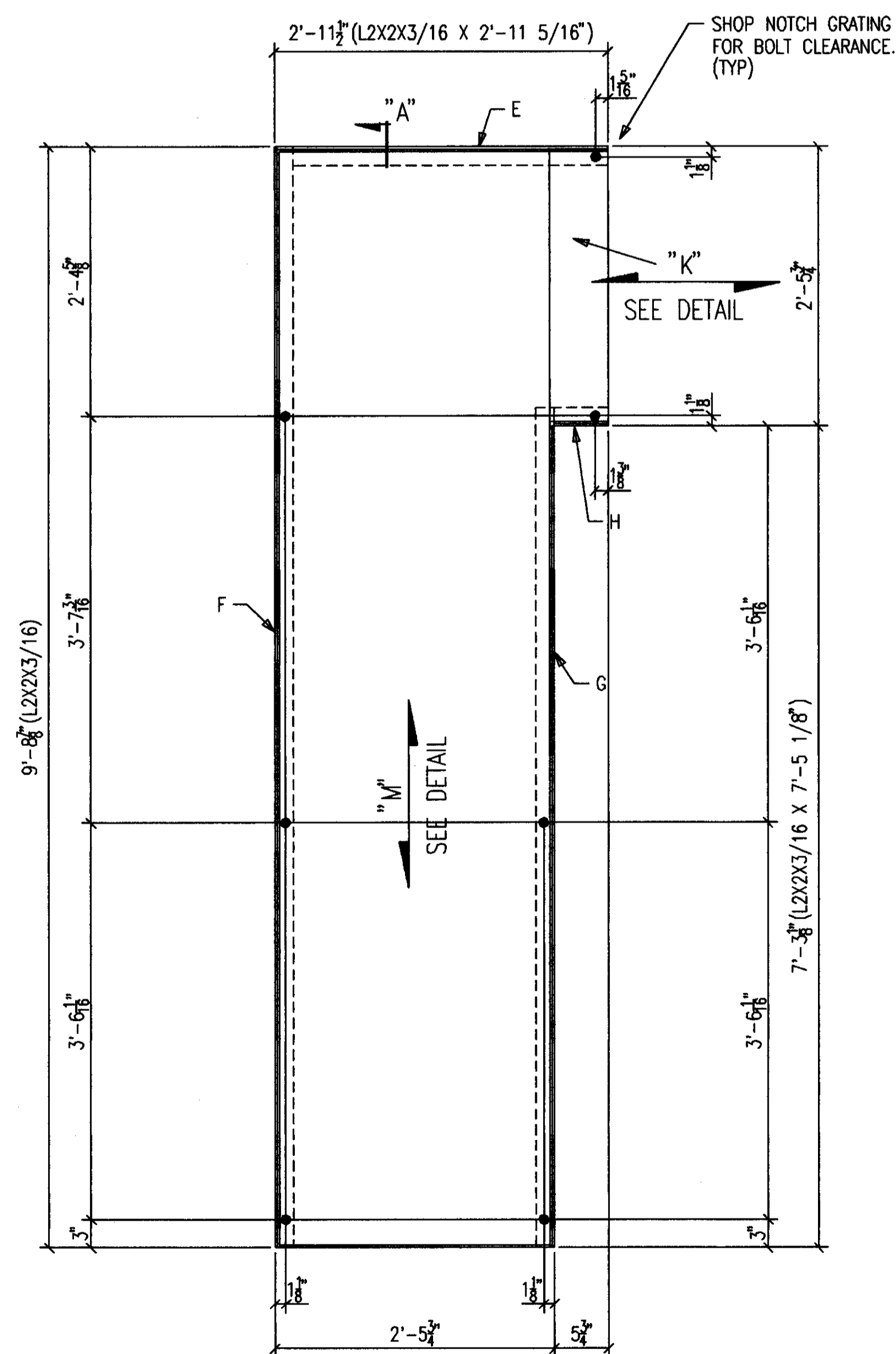
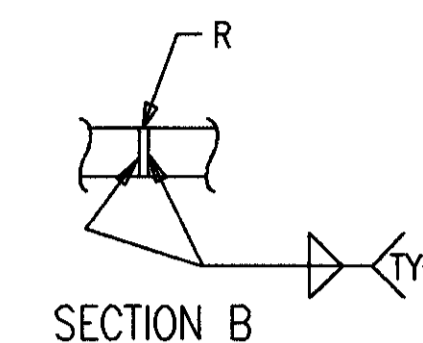
SHIP MARK SUB MARK	NO. PCS.	DESCRIPTION	LENGTH		CLUST	REMARKS
			FT.	IN.		
		ALL GRATING TO BE 1-1/2" X 3/16" PLAIN BEARING BARS @ 1-3/16" C/C W/TWISTED CROSSBARS @ 4" C/C ~ GALV.				
369GP1 L	ONE	GRATING				GALV
A369	1	L2X2X3/16	4	10-11/16		BENT
B369	1	L2X2X3/16	4	7-1/8		BENT
C369	1	GP1-1/2X3/16				
		X 28-11/16	2	1-1/2		
D369	1	GP1-1/2X3/16				
		X 28-11/16	2	8-7/8		
R369	1	FBI/4X1-1/2	2	4-3/4		
369GP1 R	ONE	GRATING				GALV
A369	1	L2X2X3/16	4	10-11/16		BENT
B369	1	L2X2X3/16	4	7-1/8		BENT
C369	1	GP1-1/2X3/16				
		X 28-11/16	2	1-1/2		
D369	1	GP1-1/2X3/16				
		X 28-11/16	2	8-7/8		
R369	1	FBI/4X1-1/2	2	4-3/4		
369GP2 L	ONE	GRATING				GALV
E369	1	L2X2X3/16	2	11-5/16		P/CTF
F369	1	L2X2X3/16	9	8-7/8		P
G369	1	L2X2X3/16	7	5-1/8		P/CTF
H369	1	L2X2X3/16	0	5-3/4		P/SC1E
K369	1	GP1-1/2X3/16				
		X 28-11/16	0	6-1/4		PIECE
M369	1	GP1-1/2X3/16				
		X 28-11/16	9	8-1/8		
R369	1	FBI/4X1-1/2	2	4-3/4		
369GP2 R	ONE	GRATING				GALV
E369	1	L2X2X3/16	2	11-5/16		P/CTF
F369	1	L2X2X3/16	9	8-7/8		P
G369	1	L2X2X3/16	7	5-1/8		P/CTF
H369	1	L2X2X3/16	0	5-3/4		P/SC1E
K369	1	GP1-1/2X3/16				
		X 28-11/16	0	6-1/4		PIECE
M369	1	GP1-1/2X3/16				
		X 28-11/16	9	8-1/8		
R369	1	FBI/4X1-1/2	2	4-3/4		
		FIELD BOLTS				
F1228AMG	16	A325 3/4X1-3/4 MG				MECH. GALV.



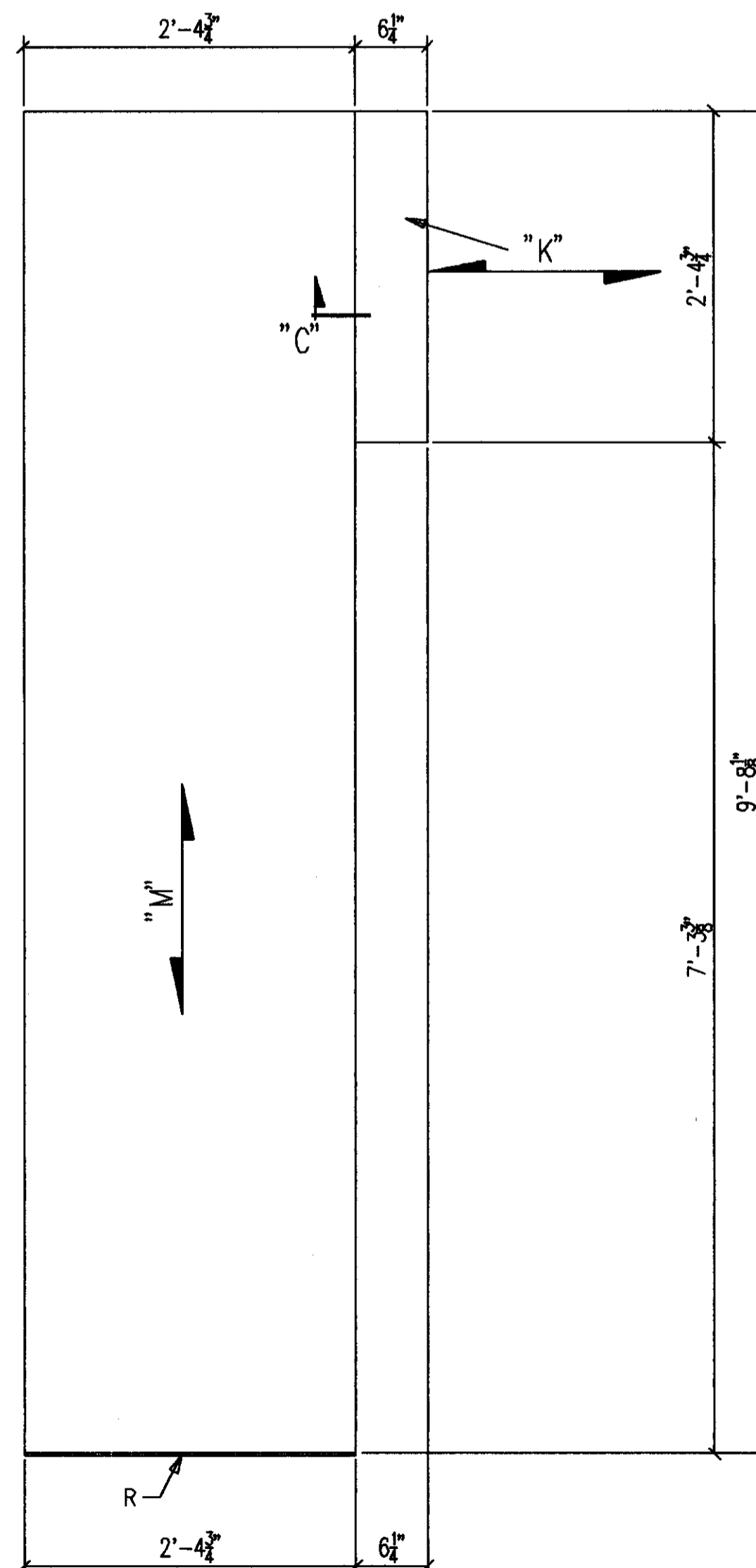
ONE-GRATING 369GP1 R (AS SHOWN)  
ONE-GRATING 369GP1 L (OPP HAND)  
8-A325 3/4 X 1 3/4 F1228AMG



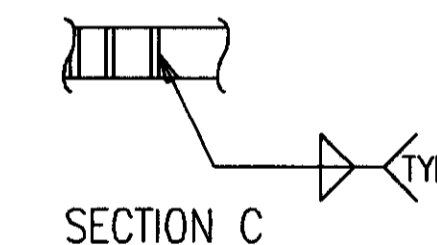
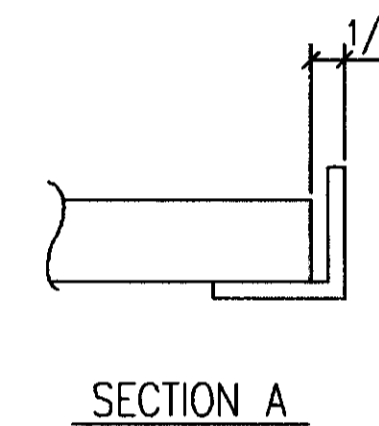
GRATING DETAIL FOR GP1 R/L



ONE-GRATING 369GP2 R (AS SHOWN)  
ONE-GRATING 369GP2 L (OPP HAND)  
7-A325 3/4 X 1 3/4 F1228AMG



GRATING DETAIL FOR GP2 R/L



**AS BUILT**  
NAME: *Mey Hughes*  
DATE: **AUG 16 1999**

NO. DATE REVISION DESCRIPTION DWN LOKD

CONTRACTOR TO CHECK ALL DIMENSIONS AT JOB AS MID STATES STEEL PRODUCTS CO. ASSUMES NO RESPONSIBILITY FOR GENERAL BUILDING DIMENSIONS. NO BACK CHARGES PERTAINING TO THIS WORK WILL BE ACCEPTED WITHOUT PRIOR AUTHORIZATION BY MID STATES STEEL PRODUCTS CO.

MATERIAL U/N	A36	DRAWN BY	SC	JOB NAME	COMMONWEALTH STADIUM EXPANSION
OPEN HOLES U/N	13/16" Ø	DATE	1/99	JOB LOCATION	UNIVERSITY OF KENTUCKY
WELD ELECTRODE U/N	E70XX	CHECKED BY		CONTRACTOR	TURNER CONSTRUCTION COMPANY
SHOP PAINT	SEE SPECS	DATE		ENGINEER	WALTER P. MOORE

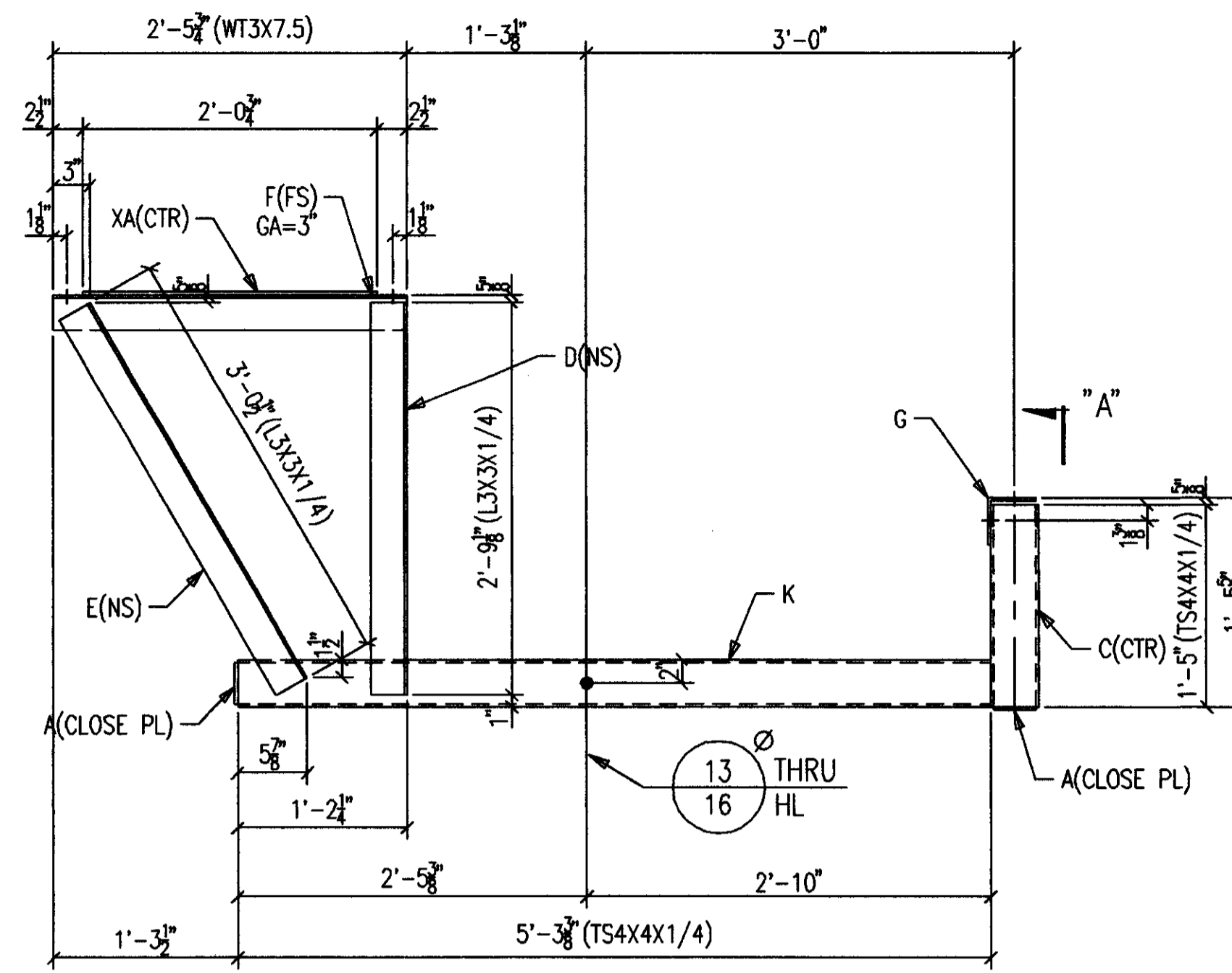
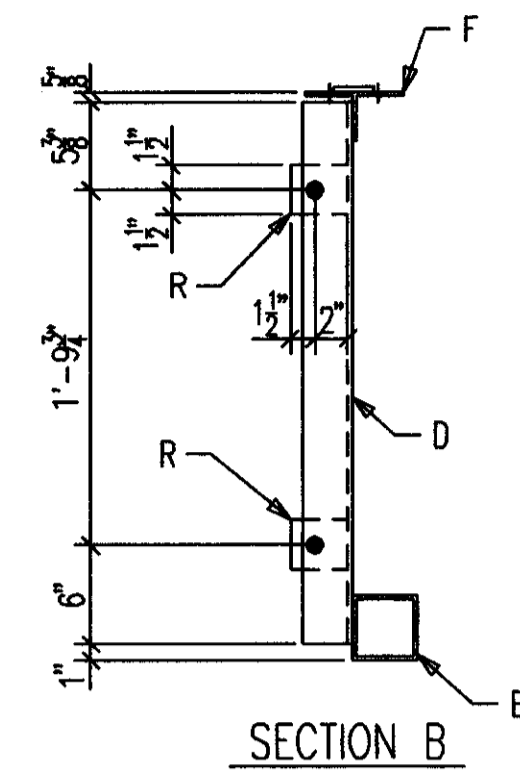
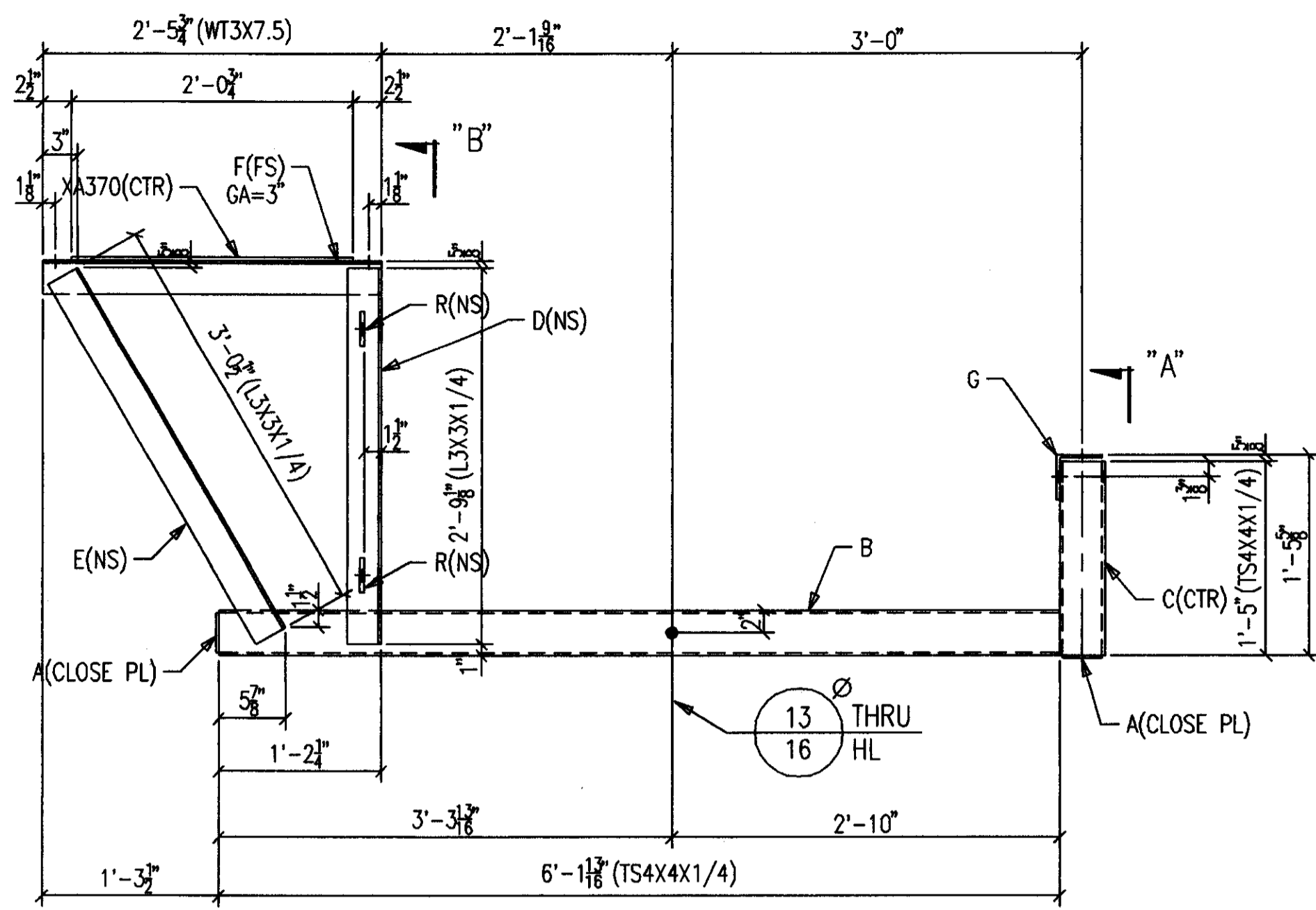
DRAWING TITLE: WINDOW WASHING FRAMES

DATE	APP	SKP	FIELD

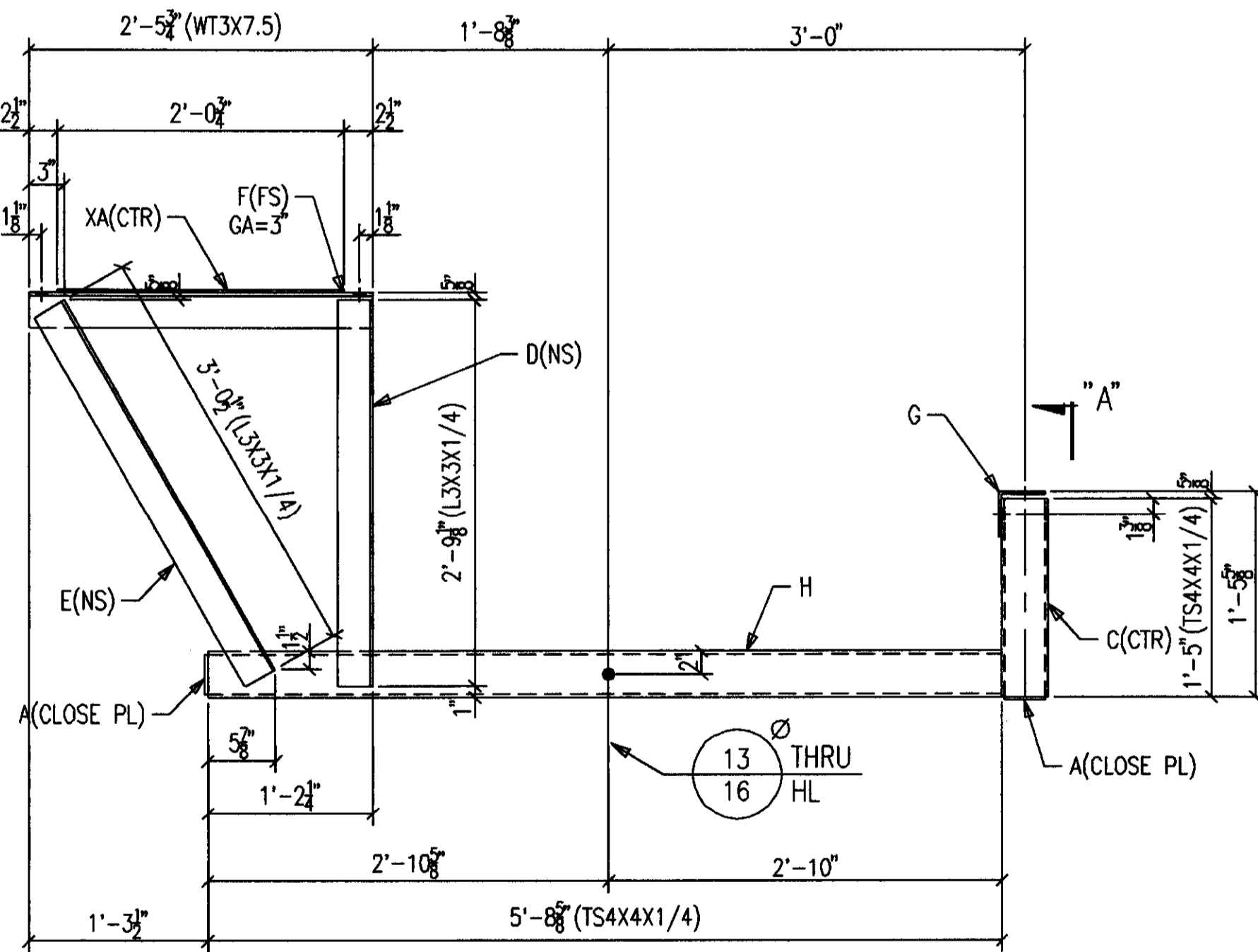
2044 BUCK LANE  
LEXINGTON, KENTUCKY 40511  
PHONE: 606-233-4344 FAX: 606-233-4346

**MID STATES STEEL PRODUCTS CO.**  
FABRICATORS OF STRUCTURAL AND MISCELLANEOUS STEEL

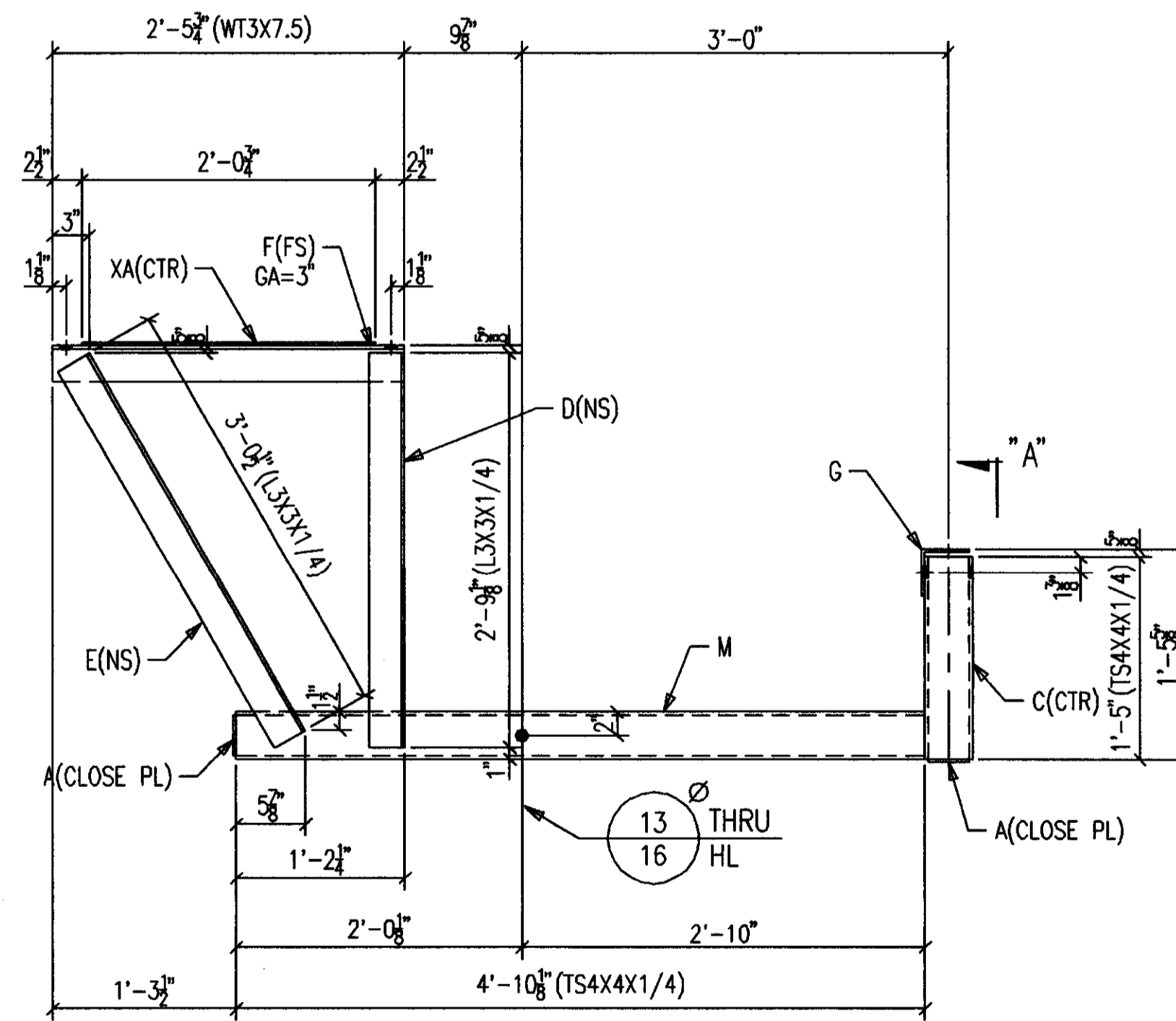
ORDER NO. P3524  
SHEET NO. 369



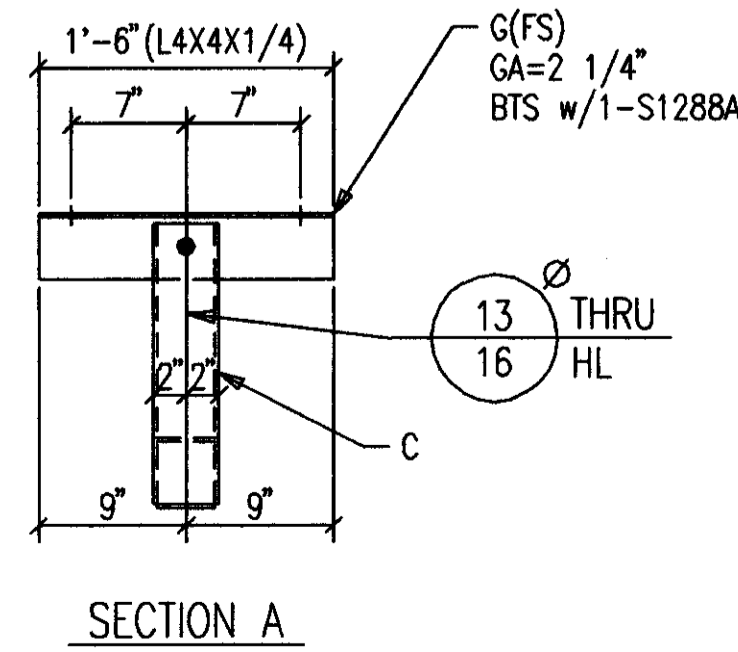
ONE-OUTRIGGER 370M3 R [AS SHOWN]  
ONE-OUTRIGGER 370M3 L [OPP HAND]  
2-A325 3/4 X 5 3/4 F1292A



ONE-OUTRIGGER 370M2 R [AS SHOWN]  
ONE-OUTRIGGER 370M2 L [OPP HAND]  
2-A325 3/4 X 5 3/4 F1292A



ONE-OUTRIGGER 370M4 R [AS SHOWN]  
ONE-OUTRIGGER 370M4 L [OPP HAND]  
2-A325 3/4 X 5 3/4 F1292A



AS BUILT  
NAME: *Max Hughes*  
DATE: AUG 1 6 1999

## BILL OF MATERIAL

SHIP MARK SUB MARK	NO. PCS.	DESCRIPTION	LENGTH		CLUST	REMARKS
			FT.	IN.		
<b>370M1 L</b>						
A370	2	PL1/8X3-3/4	0	3-3/4		
B370	1	TS4X4X1/4	6	1-13/16		SC2E
C370	1	TS4X4X1/4	1	5		SC1E
D370	1	L3X3X1/4	2	9-1/8		
E370	1	L3X3X1/4	3	0-1/2		
F370	1	WT3X7.5	2	5-3/4		P
G370	1	L4X4X1/4	1	6		P
R370	2	FB3/8X3	0	3-1/2		P
S1288A	1	A325 3/4X5-1/2				
XA370	1	FB3/16X2-1/2	2	0-3/4		
<b>370M1 R</b>						
A370	2	PL1/8X3-3/4	0	3-3/4		
B370	1	TS4X4X1/4	6	1-13/16		SC2E
C370	1	TS4X4X1/4	1	5		SC1E
D370	1	L3X3X1/4	2	9-1/8		
E370	1	L3X3X1/4	3	0-1/2		
F370	1	WT3X7.5	2	5-3/4		P
G370	1	L4X4X1/4	1	6		P
R370	2	FB3/8X3	0	3-1/2		P
S1288A	1	A325 3/4X5-1/2				
XA370	1	FB3/16X2-1/2	2	0-3/4		
<b>370M2 L</b>						
A370	2	PL1/8X3-3/4	0	3-3/4		
C370	1	TS4X4X1/4	1	5		SC1E
D370	1	L3X3X1/4	2	9-1/8		
E370	1	L3X3X1/4	3	0-1/2		
F370	1	WT3X7.5	2	5-3/4		P
G370	1	L4X4X1/4	1	6		P
H370	1	TS4X4X1/4	5	8-5/8		SC2E
S1288A	1	A325 3/4X5-1/2				
XA370	1	FB3/16X2-1/2	2	0-3/4		
<b>370M2 R</b>						
A370	2	PL1/8X3-3/4	0	3-3/4		
C370	1	TS4X4X1/4	1	5		SC1E
D370	1	L3X3X1/4	2	9-1/8		
E370	1	L3X3X1/4	3	0-1/2		
F370	1	WT3X7.5	2	5-3/4		P
G370	1	L4X4X1/4	1	6		P
H370	1	TS4X4X1/4	5	8-5/8		SC2E
S1288A	1	A325 3/4X5-1/2				
XA370	1	FB3/16X2-1/2	2	0-3/4		
<b>370M3 L</b>						
A370	2	PL1/8X3-3/4	0	3-3/4		
C370	1	TS4X4X1/4	1	5		SC1E
D370	1	L3X3X1/4	2	9-1/8		
E370	1	L3X3X1/4	3	0-1/2		
F370	1	WT3X7.5	2	5-3/4		P
G370	1	L4X4X1/4	1	6		P
K370	1	TS4X4X1/4	5	3-3/8		SC2E
S1288A	1	A325 3/4X5-1/2				
XA370	1	FB3/16X2-1/2	2	0-3/4		
<b>370M3 R</b>						
A370	2	PL1/8X3-3/4	0	3-3/4		
C370	1	TS4X4X1/4	1	5		SC1E
D370	1	L3X3X1/4	2	9-1/8		
E370	1	L3X3X1/4	3	0-1/2		
F370	1	WT3X7.5	2	5-3/4		P
G370	1	L4X4X1/4	1	6		P
K370	1	TS4X4X1/4	5	3-3/8		SC2E
S1288A	1	A325 3/4X5-1/2				
XA370	1	FB3/16X2-1/2	2	0-3/4		
<b>370M4 L</b>						
A370	2	PL1/8X3-3/4	0	3-3/4		
C370	1	TS4X4X1/4	1	5		SC1E
D370	1	L3X3X1/4	2	9-1/8		
E370	1	L3X3X1/4	3	0-1/2		
F370	1	WT3X7.5	2	5-3/4		P
G370	1	L4X4X1/4	1	6		P
M370	1	TS4X4X1/4	4	10-1/8		SC2E
S1288A	1	A325 3/4X5-1/2				
XA370	1	FB3/16X2-1/2	2	0-3/4		
<b>370M4 R</b>						
A370	2	PL1/8X3-3/4	0	3-3/4		
C370	1	TS4X4X1/4	1	5		SC1E
D370	1	L3X3X1/4	2	9-1/8		
E370	1	L3X3X1/4	3	0-1/2		
F370	1	WT3X7.5	2	5-3/4		P
G370	1	L4X4X1/4	1	6		P
M370	1	TS4X4X1/4	4	10-1/8		SC2E
S1288A	1	A325 3/4X5-1/2				
XA370	1	FB3/16X2-1/2	2	0-3/4		
F1292A	9	A325 3/4X5-3/4				

DATE	APP	SHOP	FIELD

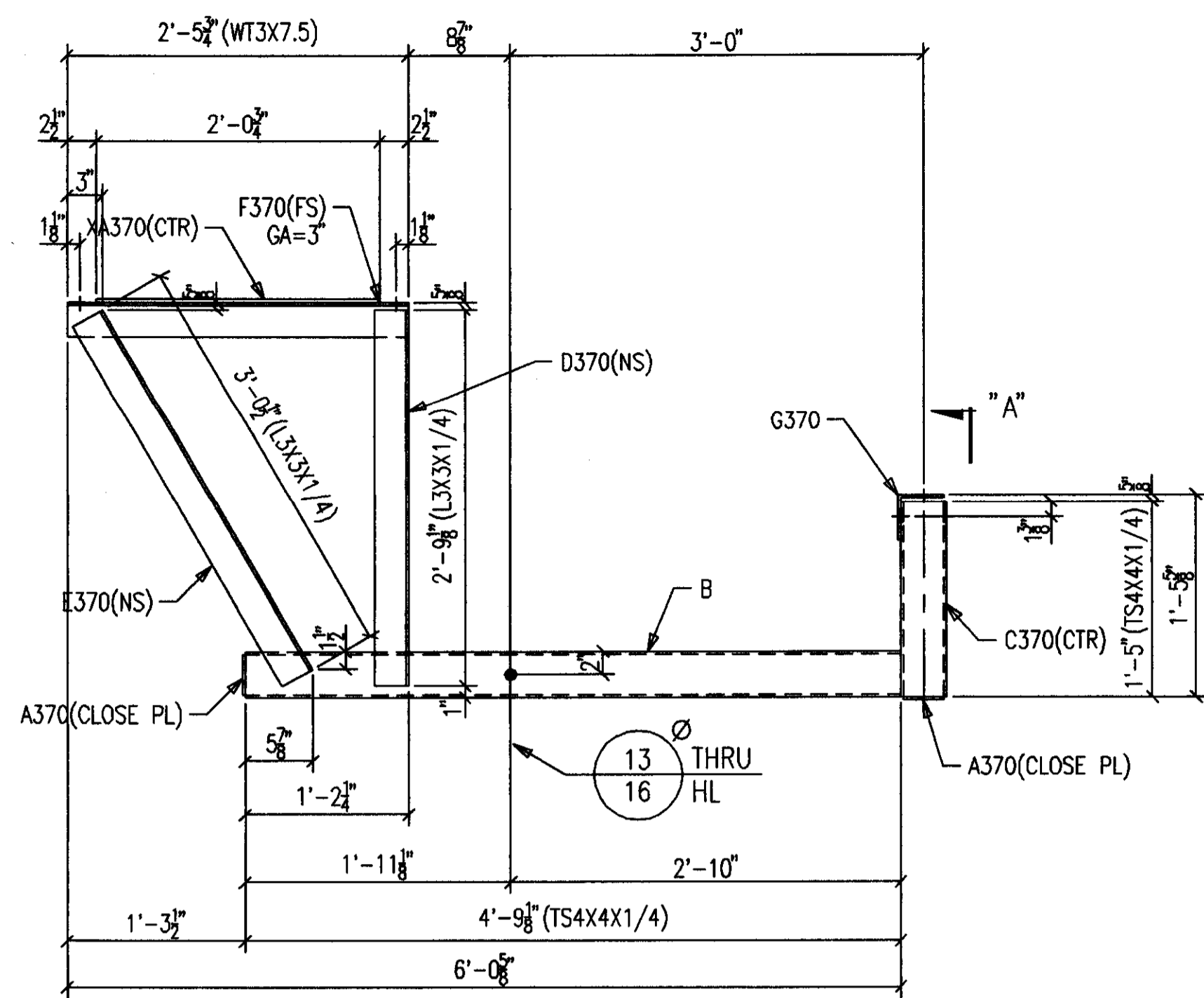
MATERIAL U/A/A	A36	DRAWN BY	SC	JOB NAME	COMMONWEALTH STADIUM EXPANSION
OPEN HOLES U/A/A	13/16" Ø	DATE	1/99	JOB LOCATION	UNIVERSITY OF KENTUCKY
WELD ELECTRODE U/A/A	E70XX	CHECKED BY		CONTRACTOR	TURNER CONSTRUCTION COMPANY
SHOP PAINT	SEE SPECS	DATE		ENGINEER	WALTER P. MOORE

**MID STATES STEEL PRODUCTS CO.**  
FABRICATORS OF STRUCTURAL AND MISCELLANEOUS STEEL

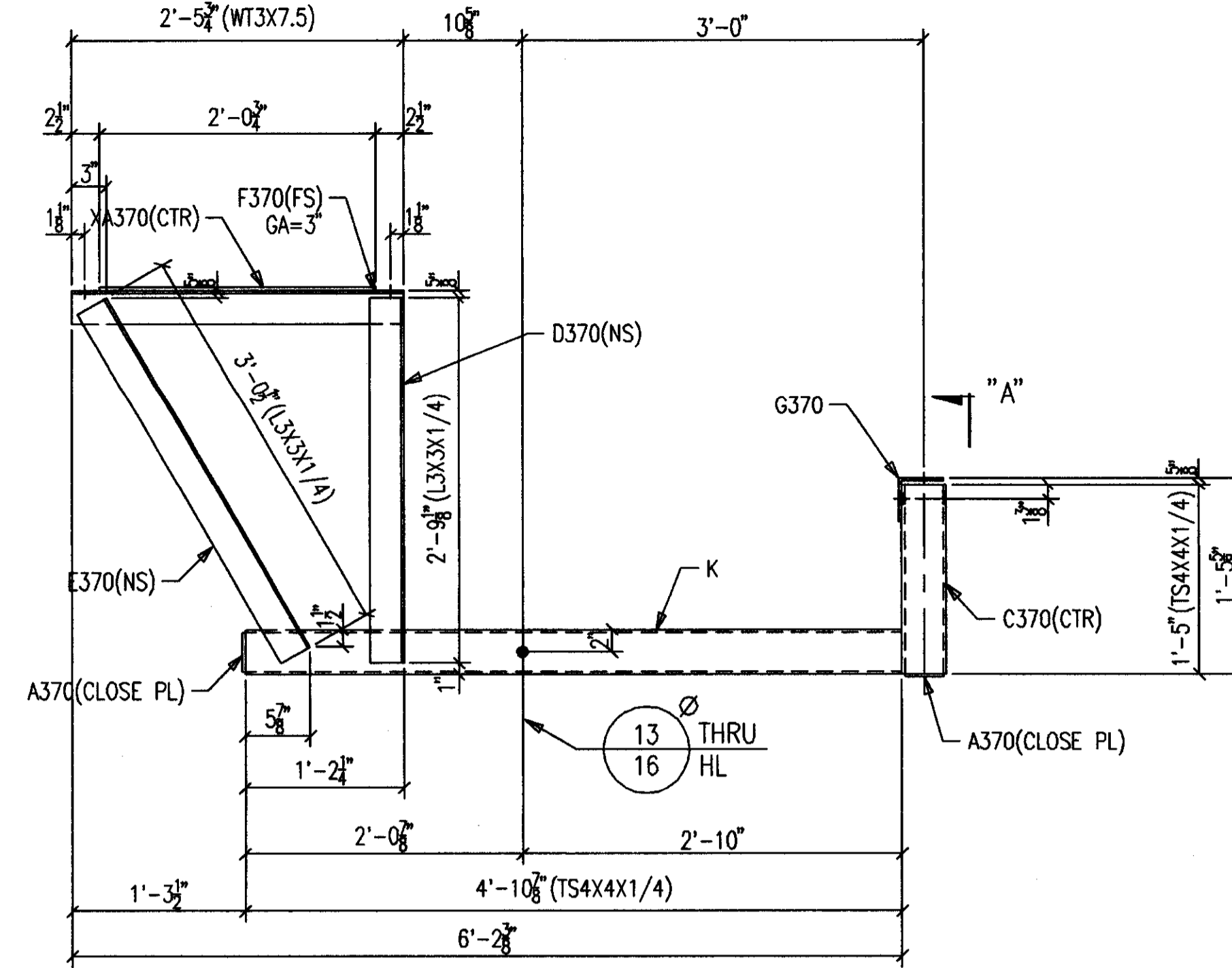
2044 BUCK LANE  
LEXINGTON, KENTUCKY 40511  
PHONE: 606-233-4344 FAX: 606-233-4346

ORDER NO. **P3524**  
SHEET NO. **370**

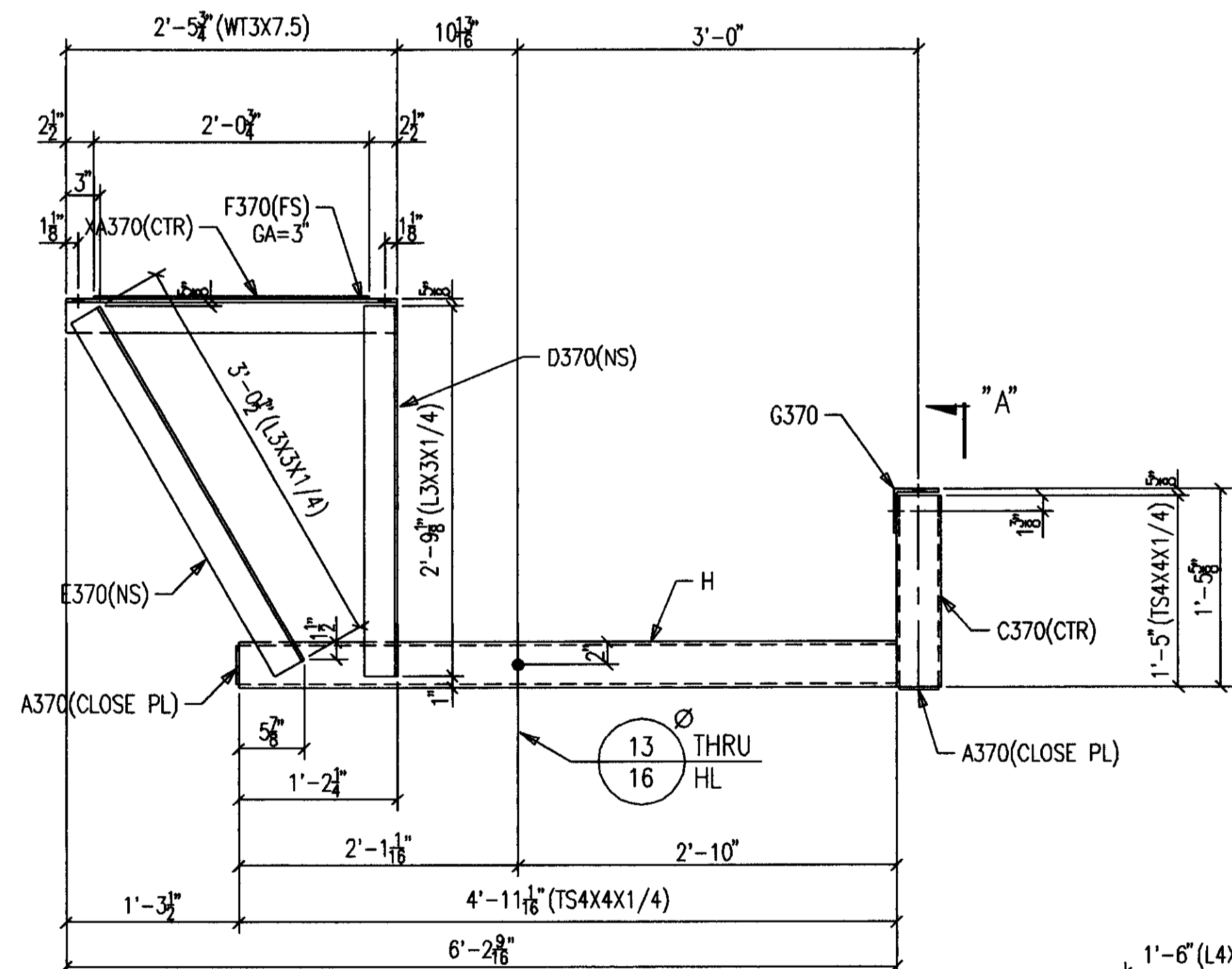




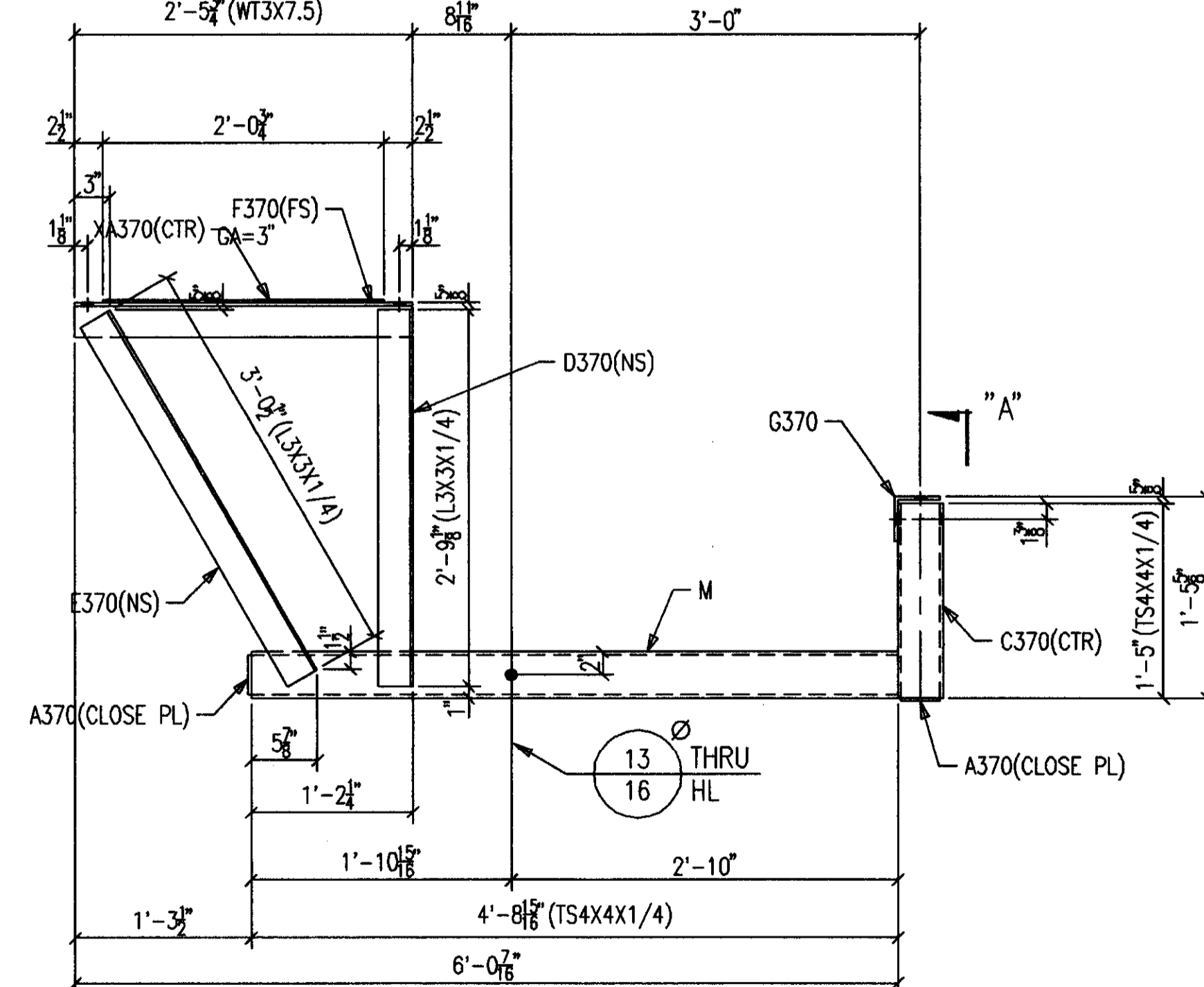
ONE-OUTRIGGER 371M1 R [AS SHOWN]  
 ONE-OUTRIGGER 371M1 L [OPP HAND]  
 2-A325 3/4 X 5/8 F1292A



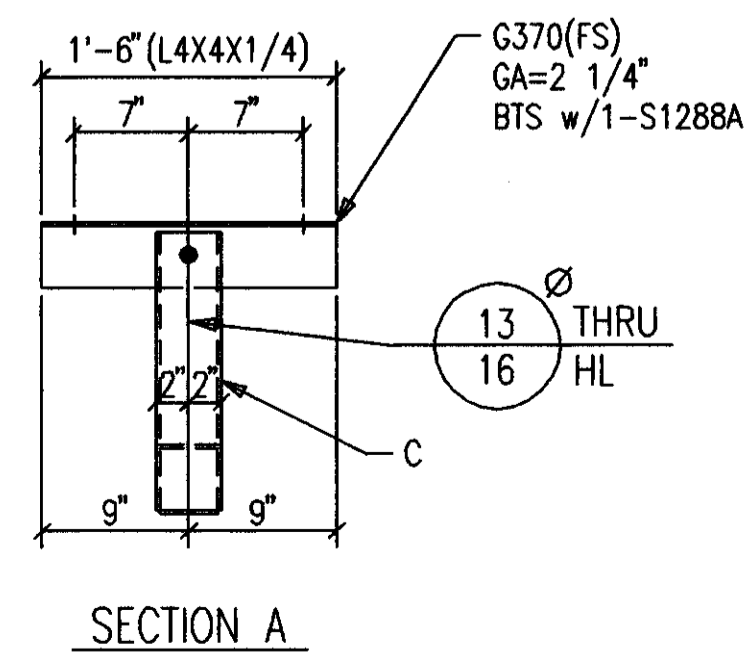
6-OUTRIGGERS 371M3 R [AS SHOWN]  
 6-OUTRIGGERS 371M3 L [OPP HAND]  
 10-A325 3/4 X 5/8 F1292A



ONE-OUTRIGGER 371M2 R [AS SHOWN]  
 ONE-OUTRIGGER 371M2 L [OPP HAND]  
 2-A325 3/4 X 5/8 F1292A



6-OUTRIGGERS 371M4 R [AS SHOWN]  
 6-OUTRIGGERS 371M4 L [OPP HAND]  
 10-A325 3/4 X 5/8 F1292A



**AS BUILT**  
 NAME: *May Hughes*  
 DATE: **AUG 16 1999**

BILL OF MATERIAL						
SHIP MARK SUB MARK	NO. PCS.	DESCRIPTION	LENGTH		CL US T	REMARKS
			FT.	IN.		
371M1 L	ONE	OUTRIGGER				
A370	2	PL1/8X3-3/4	0	3-3/4		
B371	1	TS4X4X1/4	4	9-1/8		SC2E
C370	1	TS4X4X1/4	1	5		SC1E
D370	1	L3X3X1/4	2	9-1/8		
E370	1	L3X3X1/4	3	0-1/2		
F370	1	WT3X7.5	2	5-3/4		P
G370	1	L4X4X1/4	1	6		P
S1288A	1	A325 3/4X5-1/2				
XA370	1	FB3/16X2-1/2	2	0-3/4		
371M1 R	ONE	OUTRIGGER				
A370	2	PL1/8X3-3/4	0	3-3/4		
B371	1	TS4X4X1/4	4	9-1/8		SC2E
C370	1	TS4X4X1/4	1	5		SC1E
D370	1	L3X3X1/4	2	9-1/8		
E370	1	L3X3X1/4	3	0-1/2		
F370	1	WT3X7.5	2	5-3/4		P
G370	1	L4X4X1/4	1	6		P
S1288A	1	A325 3/4X5-1/2				
XA370	1	FB3/16X2-1/2	2	0-3/4		
371M2 L	ONE	OUTRIGGER				
A370	2	PL1/8X3-3/4	0	3-3/4		
C370	1	TS4X4X1/4	1	5		SC1E
D370	1	L3X3X1/4	2	9-1/8		
E370	1	L3X3X1/4	3	0-1/2		
F370	1	WT3X7.5	2	5-3/4		P
G370	1	L4X4X1/4	1	6		P
H371	1	TS4X4X1/4	4	11-1/16		SC2E
S1288A	1	A325 3/4X5-1/2				
XA370	1	FB3/16X2-1/2	2	0-3/4		
371M2 R	ONE	OUTRIGGER				
A370	2	PL1/8X3-3/4	0	3-3/4		
C370	1	TS4X4X1/4	1	5		SC1E
D370	1	L3X3X1/4	2	9-1/8		
E370	1	L3X3X1/4	3	0-1/2		
F370	1	WT3X7.5	2	5-3/4		P
G370	1	L4X4X1/4	1	6		P
H371	1	TS4X4X1/4	4	11-1/16		SC2E
S1288A	1	A325 3/4X5-1/2				
XA370	1	FB3/16X2-1/2	2	0-3/4		
371M3 L	6	OUTRIGGERS				
A370	12	PL1/8X3-3/4	0	3-3/4		
C370	6	TS4X4X1/4	1	5		SC1E
D370	6	L3X3X1/4	2	9-1/8		
E370	6	L3X3X1/4	3	0-1/2		
F370	6	WT3X7.5	2	5-3/4		P
G370	6	L4X4X1/4	1	6		P
K371	6	TS4X4X1/4	4	10-7/8		SC2E
S1288A	6	A325 3/4X5-1/2				
XA370	6	FB3/16X2-1/2	2	0-3/4		
371M3 R	6	OUTRIGGERS				
A370	12	PL1/8X3-3/4	0	3-3/4		
C370	6	TS4X4X1/4	1	5		SC1E
D370	6	L3X3X1/4	2	9-1/8		
E370	6	L3X3X1/4	3	0-1/2		
F370	6	WT3X7.5	2	5-3/4		P
G370	6	L4X4X1/4	1	6		P
K371	6	TS4X4X1/4	4	10-7/8		SC2E
S1288A	6	A325 3/4X5-1/2				
XA370	6	FB3/16X2-1/2	2	0-3/4		
371M4 L	6	OUTRIGGERS				
A370	12	PL1/8X3-3/4	0	3-3/4		
C370	6	TS4X4X1/4	1	5		SC1E
D370	6	L3X3X1/4	2	9-1/8		
E370	6	L3X3X1/4	3	0-1/2		
F370	6	WT3X7.5	2	5-3/4		P
G370	6	L4X4X1/4	1	6		P
M371	6	TS4X4X1/4	4	8-15/16		SC2E
S1288A	6	A325 3/4X5-1/2				
XA370	6	FB3/16X2-1/2	2	0-3/4		
371M4 R	6	OUTRIGGERS				
A370	12	PL1/8X3-3/4	0	3-3/4		
C370	6	TS4X4X1/4	1	5		SC1E
D370	6	L3X3X1/4	2	9-1/8		
E370	6	L3X3X1/4	3	0-1/2		
F370	6	WT3X7.5	2	5-3/4		P
G370	6	L4X4X1/4	1	6		P
M371	6	TS4X4X1/4	4	8-15/16		SC2E
S1288A	6	A325 3/4X5-1/2				
XA370	6	FB3/16X2-1/2	2	0-3/4		
F1292A	25	A325 3/4X5-3/4				

MATERIAL U/N	A36	DRAWN BY	SC	JOB NAME	COMMONWEALTH STADIUM EXPANSION
OPEN HOLES U/N	13/16" Ø	DATE	1/99	JOB LOCATION	UNIVERSITY OF KENTUCKY
ALL RE-ENTRANT CUTS MIN. 1/2" RAD. U/N	E70XX	CHECKED BY		CONTRACTOR	TURNER CONSTRUCTION COMPANY
ALL A325 BOLTS W/ONE HARD WASH. AND HVY HEX NUT	SEE SPECS	DATE		ENGINEER	WALTER P. MOORE
ALL A307 BOLTS W/HEX NUT		DRAWING TITLE	WINDOW WASHING FRAMES		
DATE	APP	SHOP	FIELD		

2044 BUCK LANE  
 LEXINGTON, KENTUCKY 40511  
 PHONE: 606-233-4344 FAX: 606-233-4346

**MID STATES STEEL PRODUCTS CO.**  
 FABRICATORS OF STRUCTURAL AND MISCELLANEOUS STEEL

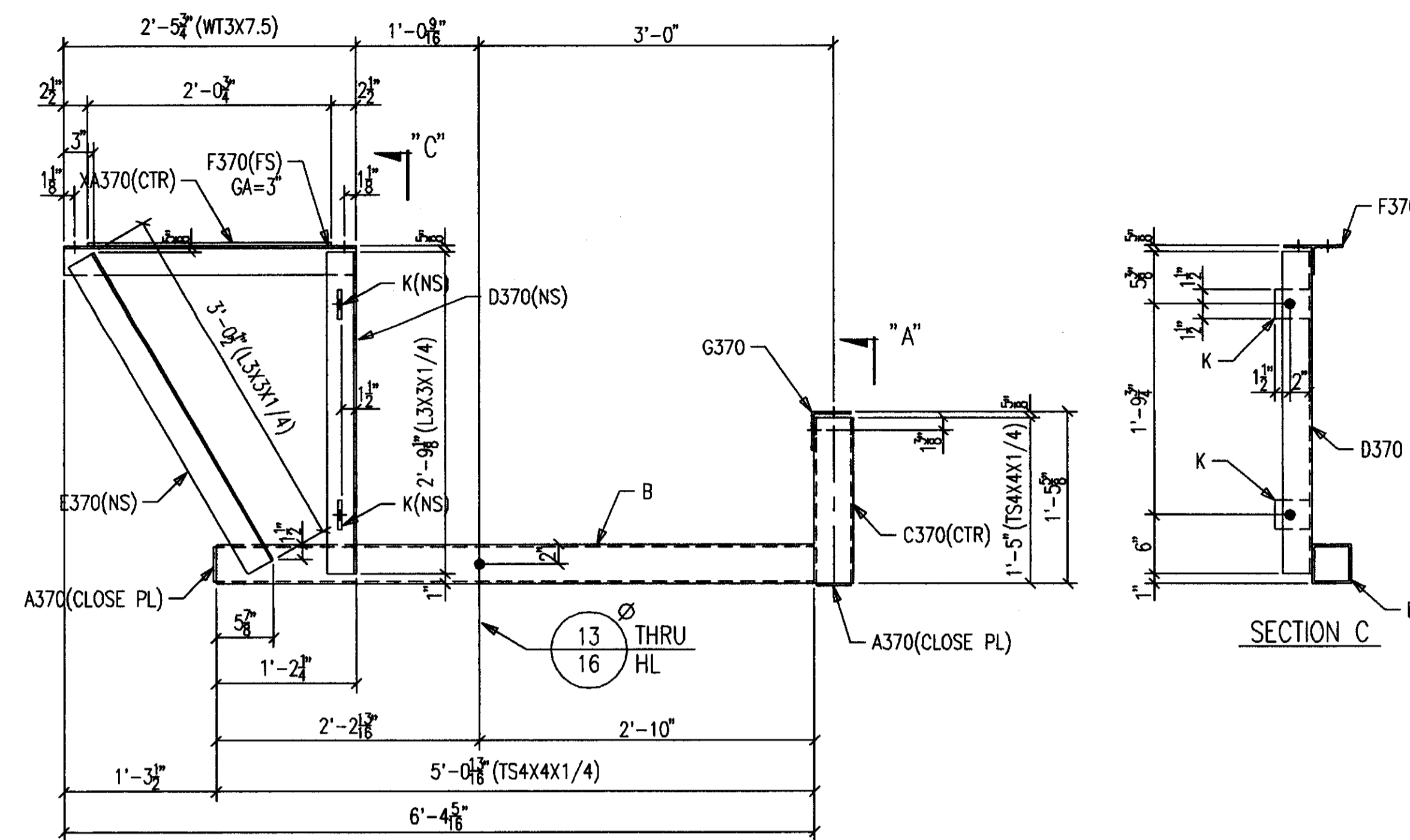
ORDER NO. P3524  
 SHEET NO. 371

CONTRACTOR TO CHECK ALL DIMENSIONS AT JOB AS MID STATES STEEL PRODUCTS CO. ASSUMES NO RESPONSIBILITY FOR GENERAL BUILDING DIMENSIONS. NO BACK CHARGES PERTAINING TO THIS WORK WILL BE ACCEPTED WITHOUT PRIOR AUTHORIZATION BY MID STATES STEEL PRODUCTS CO.

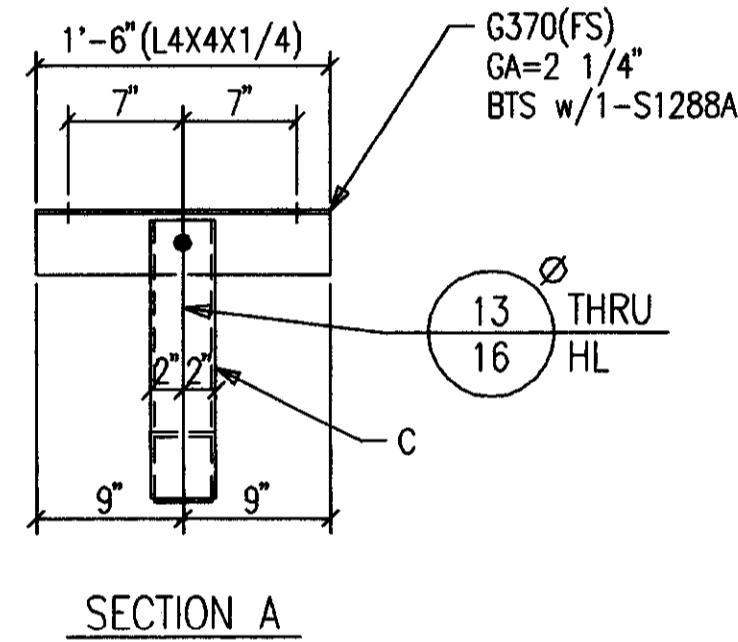
Document # 34747  
 Cab # 206  
 Slot C-1

## BILL OF MATERIAL

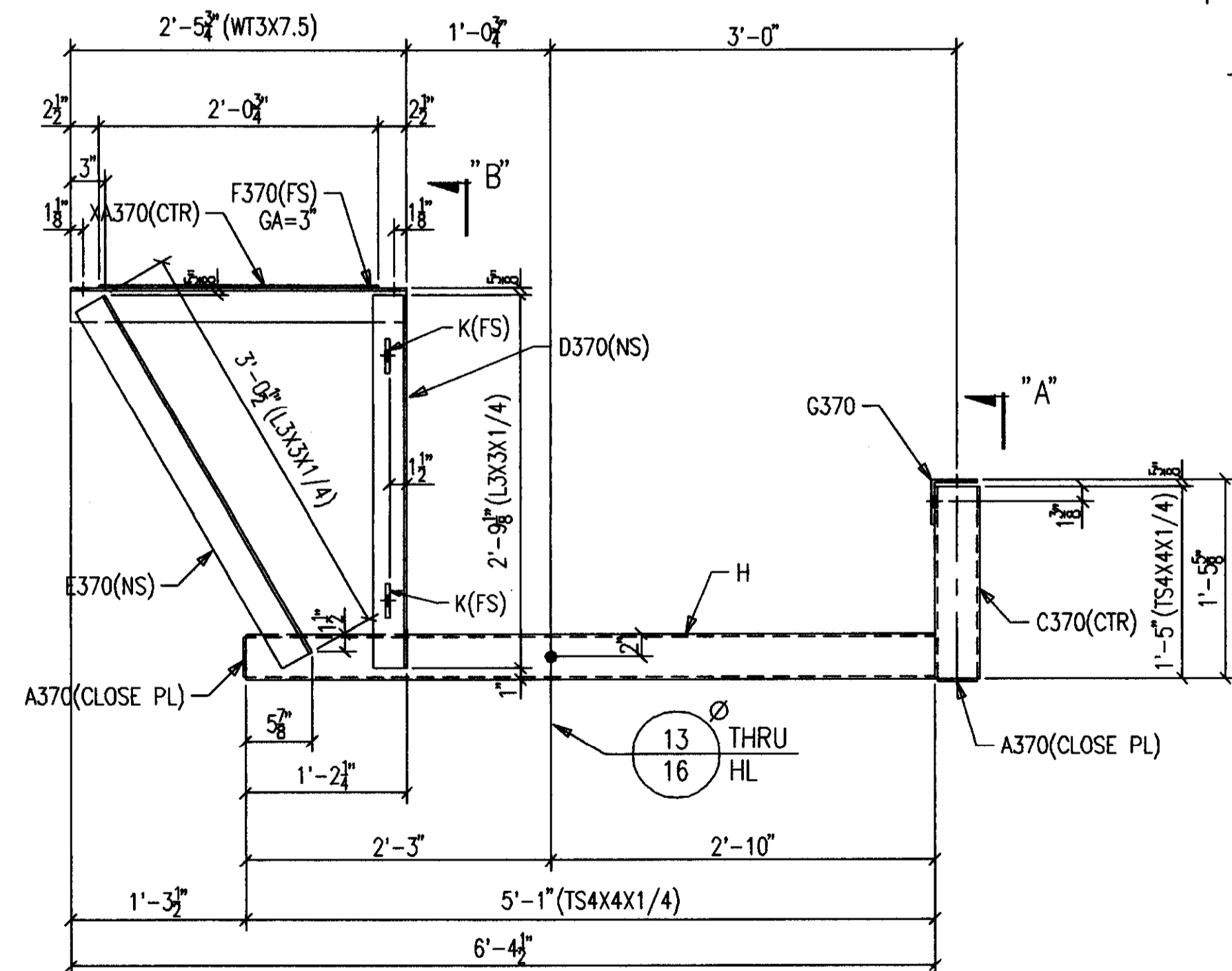
SHIP MARK SUB MARK	QTY PCS	DESCRIPTION	LENGTH		CL UST	REMARKS
			FT.	IN.		
372M2 L	ONE	OUTRIGGER				
A370	2	PL1/8X3-3/4	0	3-3/4		
C370	1	TS4X4X1/4	1	5		SC1E
D370	1	L3X3X1/4	2	9-1/8		
E370	1	L3X3X1/4	3	0-1/2		
F370	1	WT3X7.5	2	5-3/4		P
G370	1	L4X4X1/4	1	6		P
H372	1	TS4X4X1/4	5	1		SC2E
K372	2	FB3/8X3	0	3-1/2		P
S1288A	1	A325 3/4X5-1/2				
XA370	1	FB3/16X2-1/2	2	0-3/4		
372M2 R	ONE	OUTRIGGER				
A370	2	PL1/8X3-3/4	0	3-3/4		
C370	1	TS4X4X1/4	1	5		SC1E
D370	1	L3X3X1/4	2	9-1/8		
E370	1	L3X3X1/4	3	0-1/2		
F370	1	WT3X7.5	2	5-3/4		P
G370	1	L4X4X1/4	1	6		P
H372	1	TS4X4X1/4	5	1		SC2E
K372	2	FB3/8X3	0	3-1/2		P
S1288A	1	A325 3/4X5-1/2				
XA370	1	FB3/16X2-1/2	2	0-3/4		
372M3 L	3	OUTRIGGERS				
A370	6	PL1/8X3-3/4	0	3-3/4		
B372	3	TS4X4X1/4	5	0-13/16		SC2E
C370	3	TS4X4X1/4	1	5		SC1E
D370	3	L3X3X1/4	2	9-1/8		
E370	3	L3X3X1/4	3	0-1/2		
F370	3	WT3X7.5	2	5-3/4		P
G370	3	L4X4X1/4	1	6		P
K372	6	FB3/8X3	0	3-1/2		P
S1288A	3	A325 3/4X5-1/2				
XA370	3	FB3/16X2-1/2	2	0-3/4		
372M3 R	3	OUTRIGGERS				
A370	6	PL1/8X3-3/4	0	3-3/4		
B372	3	TS4X4X1/4	5	0-13/16		SC2E
C370	3	TS4X4X1/4	1	5		SC1E
D370	3	L3X3X1/4	2	9-1/8		
E370	3	L3X3X1/4	3	0-1/2		
F370	3	WT3X7.5	2	5-3/4		P
G370	3	L4X4X1/4	1	6		P
K372	6	FB3/8X3	0	3-1/2		P
S1288A	3	A325 3/4X5-1/2				
XA370	3	FB3/16X2-1/2	2	0-3/4		
372M4 L	3	OUTRIGGERS				
A370	6	PL1/8X3-3/4	0	3-3/4		
B372	3	TS4X4X1/4	5	0-13/16		SC2E
C370	3	TS4X4X1/4	1	5		SC1E
D370	3	L3X3X1/4	2	9-1/8		
E370	3	L3X3X1/4	3	0-1/2		
F370	3	WT3X7.5	2	5-3/4		P
G370	3	L4X4X1/4	1	6		P
K372	6	FB3/8X3	0	3-1/2		P
S1288A	3	A325 3/4X5-1/2				
XA370	3	FB3/16X2-1/2	2	0-3/4		
372M4 R	3	OUTRIGGERS				
A370	6	PL1/8X3-3/4	0	3-3/4		
B372	3	TS4X4X1/4	5	0-13/16		SC2E
C370	3	TS4X4X1/4	1	5		SC1E
D370	3	L3X3X1/4	2	9-1/8		
E370	3	L3X3X1/4	3	0-1/2		
F370	3	WT3X7.5	2	5-3/4		P
G370	3	L4X4X1/4	1	6		P
K372	6	FB3/8X3	0	3-1/2		P
S1288A	3	A325 3/4X5-1/2				
XA370	3	FB3/16X2-1/2	2	0-3/4		
		FIELD BOLTS				
F1292A	15	A325 3/4X5-3/4				



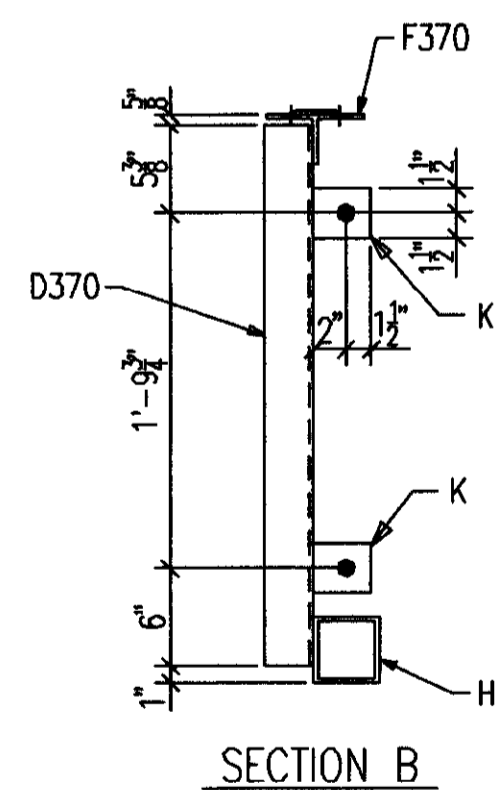
3-OUTRIGGERS 372M3 R [AS SHOWN]  
3-OUTRIGGERS 372M3 L [OPP HAND]  
6-A325 3/4 X 5 3/4 F1292A



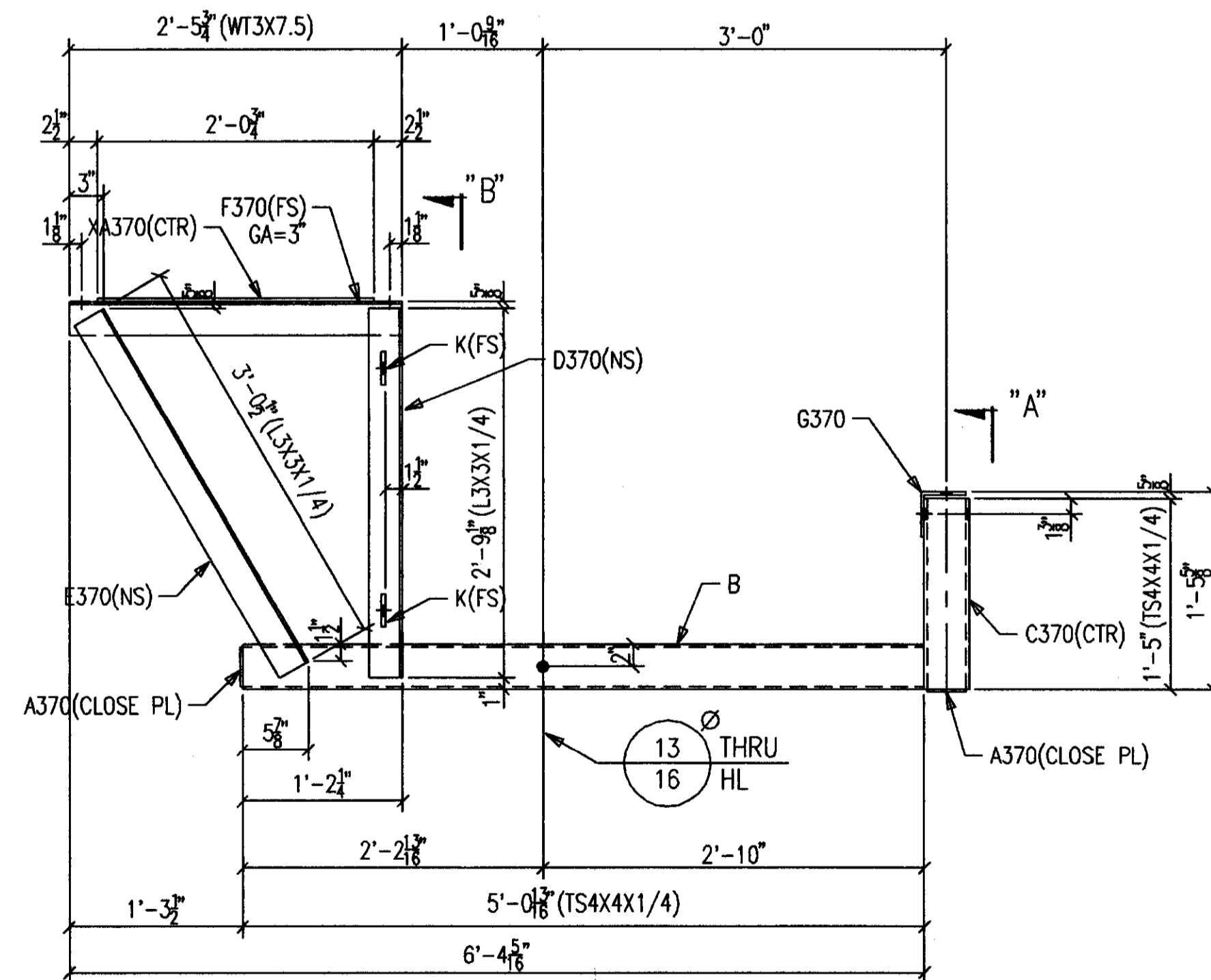
SECTION A



ONE-OUTRIGGER 372M2 R [AS SHOWN]  
ONE-OUTRIGGER 372M2 L [OPP HAND]  
2-A325 3/4 X 5 3/4 F1292A



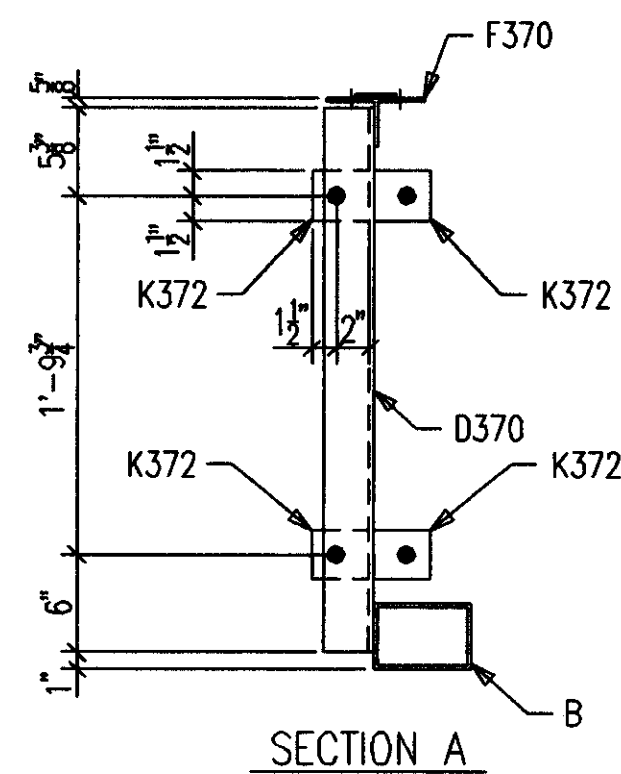
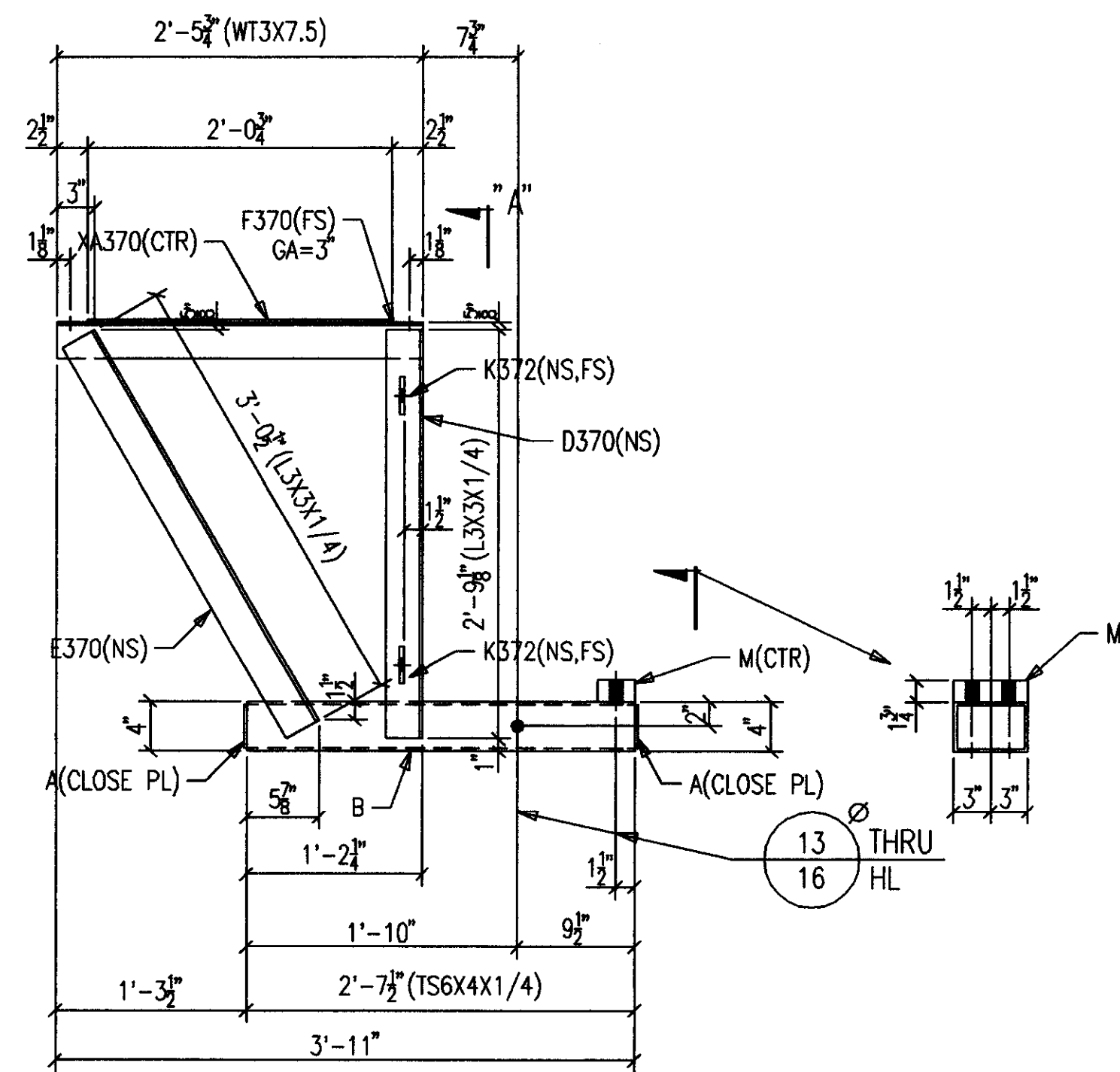
SECTION B



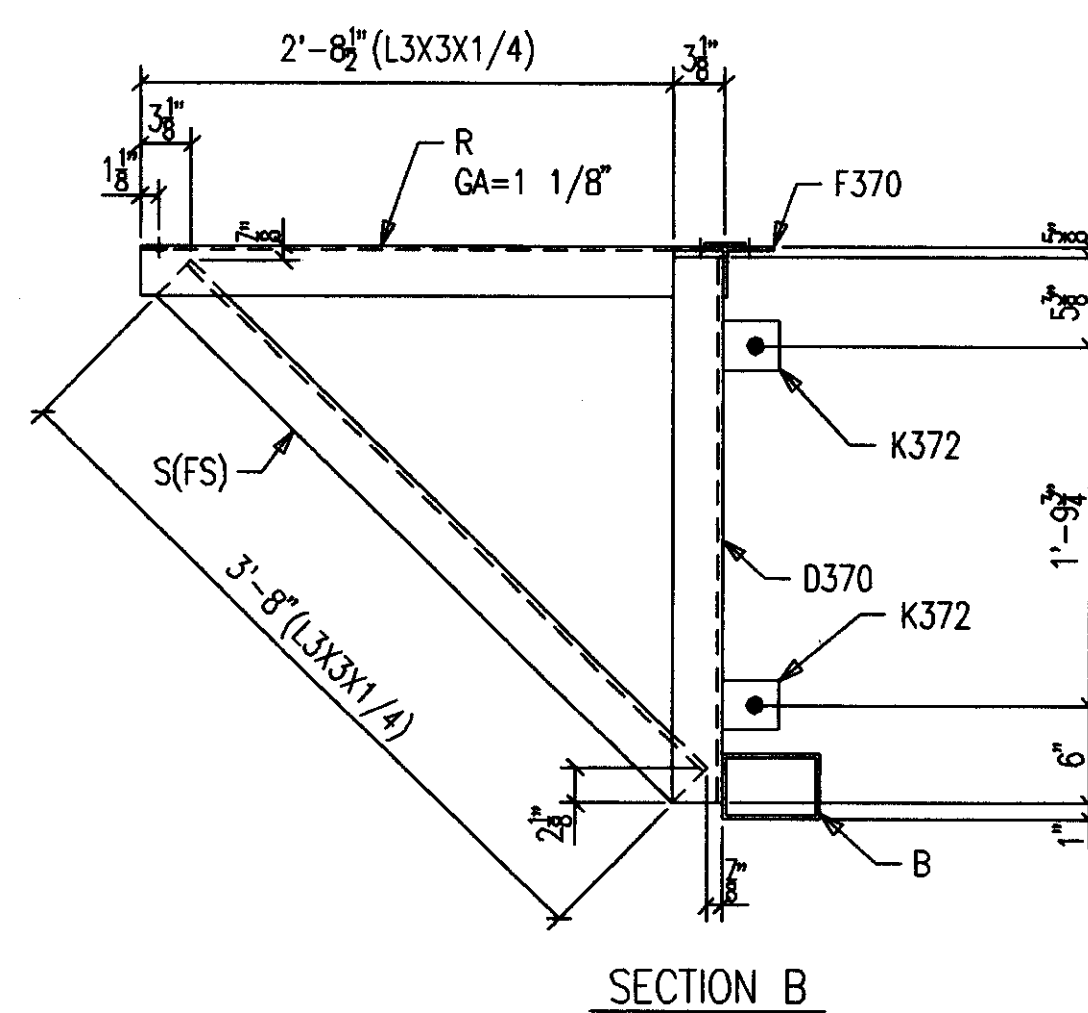
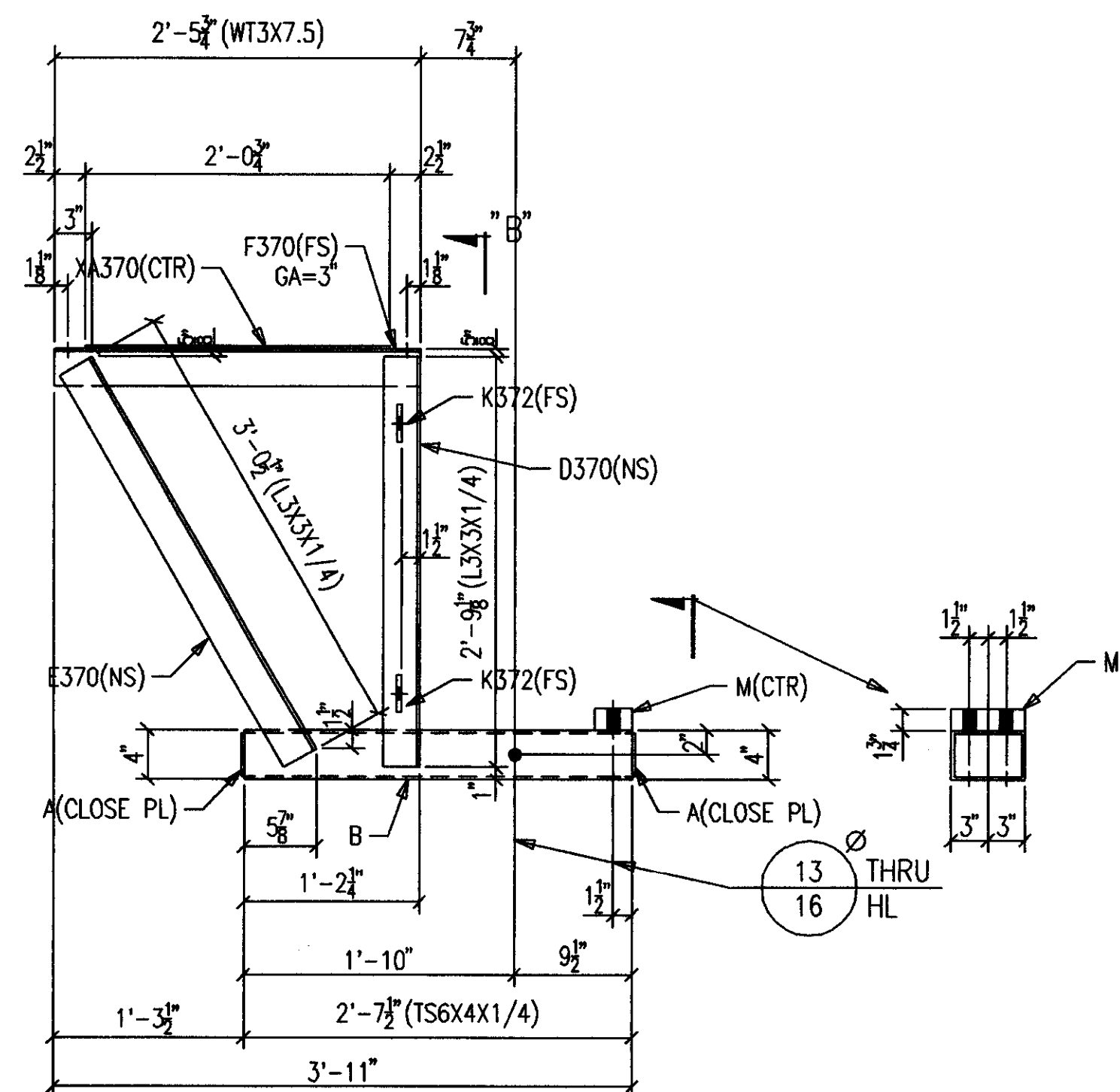
3-OUTRIGGERS 372M4 R [AS SHOWN]  
3-OUTRIGGERS 372M4 L [OPP HAND]  
6-A325 3/4 X 5 3/4 F1292A

AS BUILT  
NAME: *M.A. Hughes*  
DATE: **AUG 16 1999**

DATE		REVISION DESCRIPTION		DWG. CNO.	
CONTRACTOR TO CHECK ALL DIMENSIONS AT JOB AS MID STATES STEEL PRODUCTS CO. ASSUMES NO RESPONSIBILITY FOR GENERAL BUILDING DIMENSIONS. NO BACK CHARGES PERTAINING TO THIS WORK WILL BE ACCEPTED WITHOUT PRIOR AUTHORIZATION BY MID STATES STEEL PRODUCTS CO.					
MATERIAL U/W A36	DATE 1/99	DRAWN BY <b>SC</b>	JOB NAME COMMONWEALTH STADIUM EXPANSION	OPEN HOLES U/W 13/16" Ø	JOB LOCATION UNIVERSITY OF KENTUCKY
ALL RE-ENTRANT CUTS MIN 1/2" RAD. U/W	WELD ELECTRODE U/W E70XX	CHECKED BY	CONTRACTOR TURNER CONSTRUCTION COMPANY	SHOP PAINT SEE SPECS	DATE DATE
ALL A325 BOLTS w/ONE HARD WASH. AND HWY HEX NUT	DATE	ENGINEER	WALTER P. MOORE		
ALL A307 BOLTS w/HEX NUT	DRAWING TITLE	WINDOW WASHING FRAMES			
DATE	APP.	SHOP	FIELD		
				2044 BUCK LANE LEXINGTON, KENTUCKY 40511 PHONE: 606-233-4344 FAX: 606-233-4346 <b>MID STATES STEEL PRODUCTS CO.</b> FABRICATORS OF STRUCTURAL AND MISCELLANEOUS STEEL	
				ORDER NO. <b>P3524</b>	SHEET NO. <b>372</b>



3-OUTRIGGERS 373M1 R [AS SHOWN]  
 3-OUTRIGGERS 373M1 L [OPP HAND]  
 18-A325 3/4 X 7 3/4 F12124A



ONE-OUTRIGGER 373M2 R [AS SHOWN]  
 ONE-OUTRIGGER 373M2 L [OPP HAND]  
 6-A325 3/4 X 7 3/4 F12124A

BILL OF MATERIAL

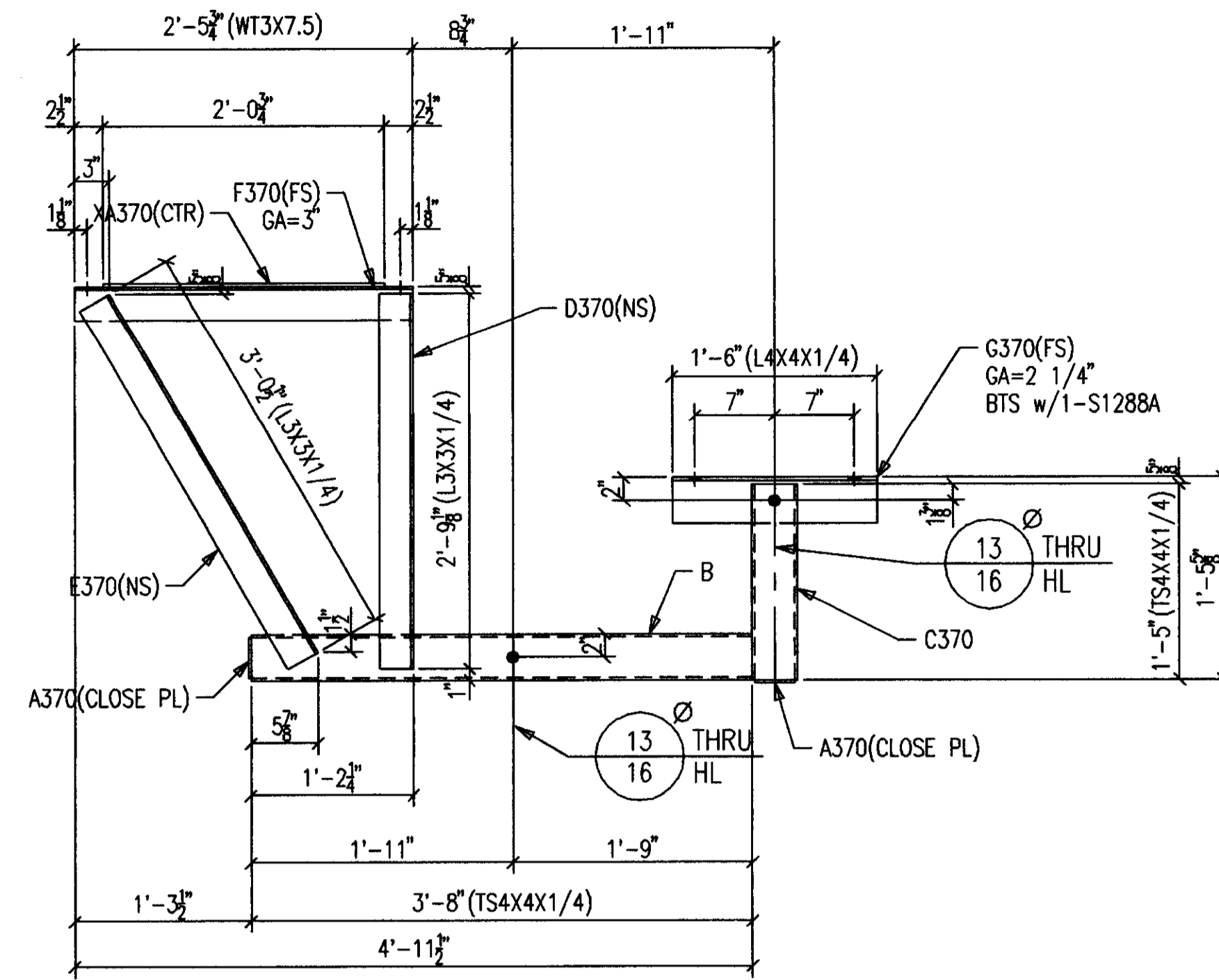
SHIP MARK SUB MARK	NET PCS.	DESCRIPTION	LENGTH		CL LIST	REMARKS
			FT.	IN.		
373M1 L	3	OUTRIGGERS				
A373	6	PL1/8X3-3/4	0	5-3/4		
B373	3	TS6X4X1/4	2	7-1/2		P/SC2E
D370	3	L3X3X1/4	2	9-1/8		
E370	3	L3X3X1/4	3	0-1/2		
F370	3	WT3X7.5	2	5-3/4		P
K372	12	FB3/8X3	0	3-1/2		P
M373	3	PL1-3/4X3	0	6		P
XA370	3	FB3/16X2-1/2	2	0-3/4		
373M1 R	3	OUTRIGGERS				
A373	6	PL1/8X3-3/4	0	5-3/4		
B373	3	TS6X4X1/4	2	7-1/2		P/SC2E
D370	3	L3X3X1/4	2	9-1/8		
E370	3	L3X3X1/4	3	0-1/2		
F370	3	WT3X7.5	2	5-3/4		P
K372	12	FB3/8X3	0	3-1/2		P
M373	3	PL1-3/4X3	0	6		P
XA370	3	FB3/16X2-1/2	2	0-3/4		
373M2 L	ONE	OUTRIGGER				
A373	2	PL1/8X3-3/4	0	5-3/4		
B373	1	TS6X4X1/4	2	7-1/2		P/SC2E
D370	1	L3X3X1/4	2	9-1/8		
E370	1	L3X3X1/4	3	0-1/2		
F370	1	WT3X7.5	2	5-3/4		P
K372	2	FB3/8X3	0	3-1/2		P
M373	1	PL1-3/4X3	0	6		P
R373	1	L3X3X1/4	2	8-1/2		P/SC1E
S373	1	L3X3X1/4	3	8		
XA370	1	FB3/16X2-1/2	2	0-3/4		
373M2 R	ONE	OUTRIGGER				
A373	2	PL1/8X3-3/4	0	5-3/4		
B373	1	TS6X4X1/4	2	7-1/2		P/SC2E
D370	1	L3X3X1/4	2	9-1/8		
E370	1	L3X3X1/4	3	0-1/2		
F370	1	WT3X7.5	2	5-3/4		P
K372	2	FB3/8X3	0	3-1/2		P
M373	1	PL1-3/4X3	0	6		P
R373	1	L3X3X1/4	2	8-1/2		P/SC1E
S373	1	L3X3X1/4	3	8		
XA370	1	FB3/16X2-1/2	2	0-3/4		
		FIELD BOLTS				
F12124A	25	A325 3/4 X 7-3/4				

AS BUILT  
 NAME: *Walter P. Moore*  
 DATE: AUG 16 1999

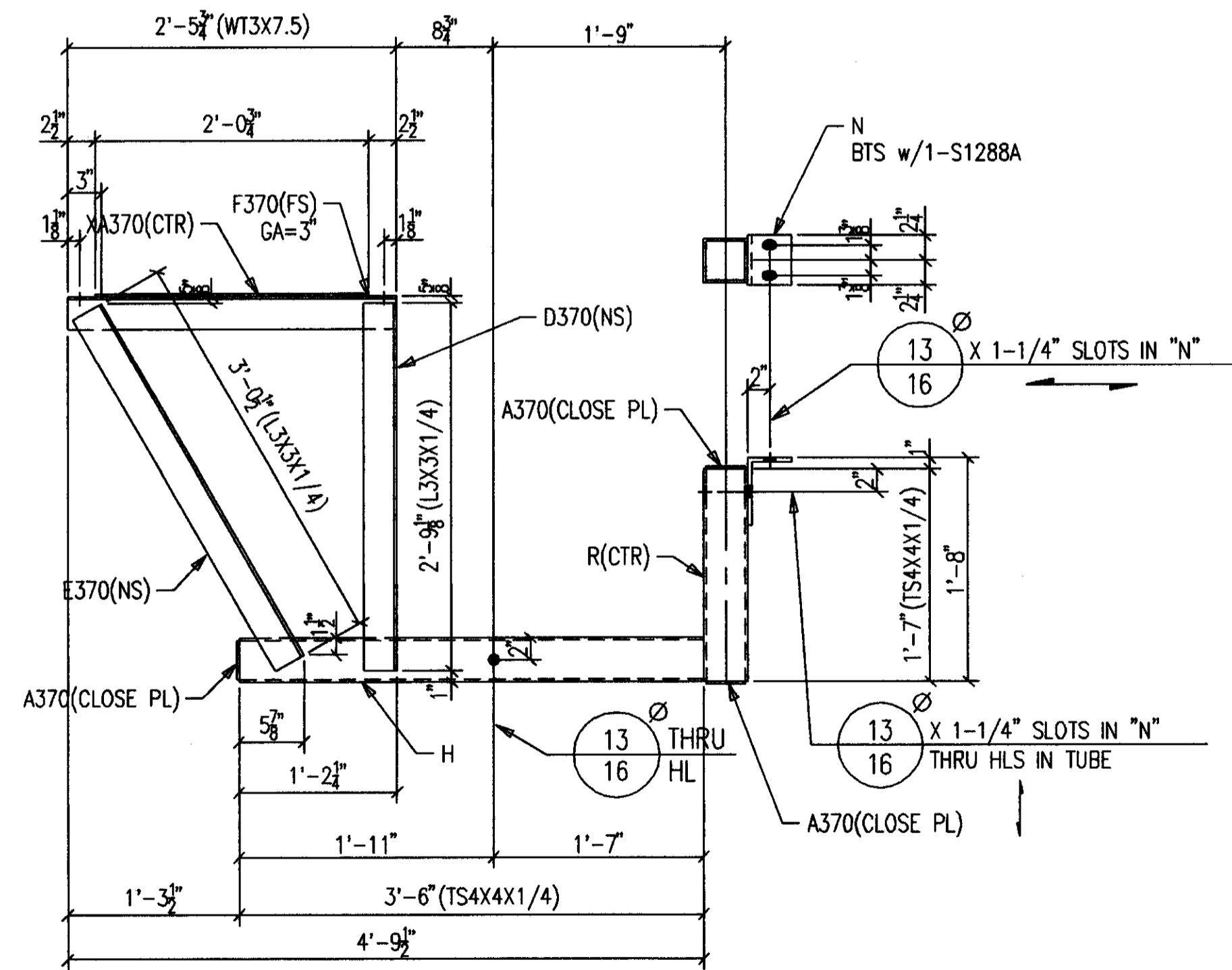
DATE	APP.	SHOP	FIELD

NO.	DATE	REVISION DESCRIPTION	DRAWN	CHKD.	
CONTRACTOR TO CHECK ALL DIMENSIONS AT JOB AS MID STATES STEEL PRODUCTS CO. ASSUMES NO RESPONSIBILITY FOR GENERAL BUILDING DIMENSIONS. NO BACK CHARGES PERTAINING TO THIS WORK WILL BE ACCEPTED WITHOUT PRIOR AUTHORIZATION BY MID STATES STEEL PRODUCTS CO.					
MATERIAL U/M	A36	DRAWN BY	SC	JOB NAME	COMMONWEALTH STADIUM EXPANSION
OPEN HOLES U/M	13/16" Ø	DATE	1/99	JOB LOCATION	UNIVERSITY OF KENTUCKY
WELD ELECTRODE U/M	E70XX	CHECKED BY	CONTRACTOR	TURNER CONSTRUCTION COMPANY	
SHOP PAINT	SEE SPECS	DATE	ENGINEER	WALTER P. MOORE	
DRAWING TITLE	WINDOW WASHING FRAMES				
2044 BUCK LANE LEXINGTON, KENTUCKY 40511 PHONE: 606-233-4344 FAX: 606-233-4346				ORDER NO. P3524	
MID STATES STEEL PRODUCTS CO. FABRICATORS OF STRUCTURAL AND MISCELLANEOUS STEEL				SHEET NO. 373	

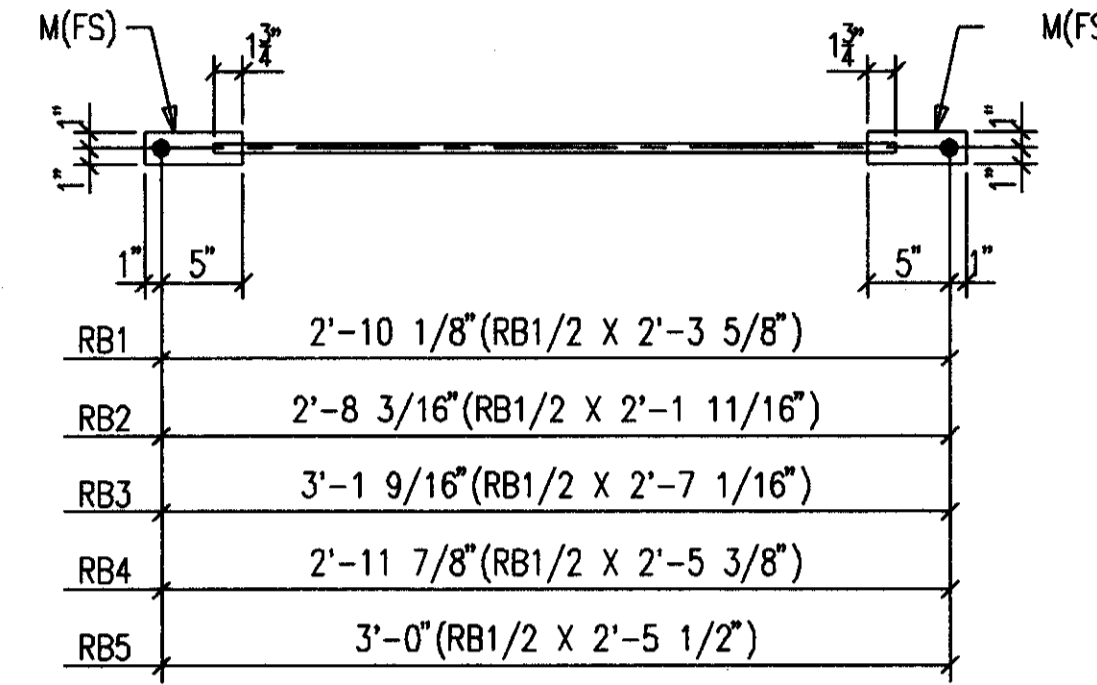
Doc # 34749  
 205 C-1



ONE-OUTRIGGER 374M1 R [AS SHOWN]  
 ONE-OUTRIGGER 374M1 L [OPP HAND]  
 2-A325 3/4 X 5 3/4 F1292A



ONE-OUTRIGGER 374M2 R [AS SHOWN]  
 ONE-OUTRIGGER 374M2 L [OPP HAND]  
 2-A325 3/4 X 5 3/4 F1292A  
 4-A325 3/4 X 2 F1232A



4-BRACES 374RB1  
 4-BRACES 374RB2  
 12-BRACES 374RB3  
 4-BRACES 374RB4  
 4-BRACES 374RB5  
 56-A325 3/4 X 2 F1232A

### BILL OF MATERIAL

SHIP MARK SUB MARK	NO. PCS.	DESCRIPTION	LENGTH		CL UST	REMARKS
			FT.	IN.		
374M1 L	ONE	OUTRIGGER				
A370	2	PL1/8X3-3/4	0	3-3/4		
B374	1	TS4X4X1/4	3	8		SC2E
C370	1	TS4X4X1/4	1	5		SC1E
D370	1	L3X3X1/4	2	9-1/8		
E370	1	L3X3X1/4	3	0-1/2		
F370	1	WT3X7.5	2	5-3/4		P
G370	1	L4X4X1/4	1	6		P
S1288A	1	A325 3/4X5-1/2				
XA370	1	FB3/16X2-1/2	2	0-3/4		
374M1 R	ONE	OUTRIGGER				
A370	2	PL1/8X3-3/4	0	3-3/4		
B374	1	TS4X4X1/4	3	8		SC2E
C370	1	TS4X4X1/4	1	5		SC1E
D370	1	L3X3X1/4	2	9-1/8		
E370	1	L3X3X1/4	3	0-1/2		
F370	1	WT3X7.5	2	5-3/4		P
G370	1	L4X4X1/4	1	6		P
S1288A	1	A325 3/4X5-1/2				
XA370	1	FB3/16X2-1/2	2	0-3/4		
374M2 L	ONE	OUTRIGGER				
A370	3	PL1/8X3-3/4	0	3-3/4		
D370	1	L3X3X1/4	2	9-1/8		
E370	1	L3X3X1/4	3	0-1/2		
F370	1	WT3X7.5	2	5-3/4		P
H374	1	TS4X4X1/4	3	6		SC2E
N374	1	L6X4X5/16	0	4-1/2		P
R374	1	TS4X4X1/4	1	7		SC2E
S1288A	1	A325 3/4X5-1/2				
XA370	1	FB3/16X2-1/2	2	0-3/4		
374M2 R	ONE	OUTRIGGER				
A370	3	PL1/8X3-3/4	0	3-3/4		
D370	1	L3X3X1/4	2	9-1/8		
E370	1	L3X3X1/4	3	0-1/2		
F370	1	WT3X7.5	2	5-3/4		P
H374	1	TS4X4X1/4	3	6		SC2E
N374	1	L6X4X5/16	0	4-1/2		P
R374	1	TS4X4X1/4	1	7		SC2E
S1288A	1	A325 3/4X5-1/2				
XA370	1	FB3/16X2-1/2	2	0-3/4		
374RB1	4	BRACES				
374RB1	4	RB1/2	2	3-5/8		4
M374	8	FB3/8X2	0	6		P
374RB2	4	BRACES				
374RB2	4	RB1/2	2	1-11/16		
M374	8	FB3/8X2	0	6		P
374RB3	12	BRACES				
374RB3	12	RB1/2	2	7-1/16		
M374	24	FB3/8X2	0	6		P
374RB4	4	BRACES				
374RB4	4	RB1/2	2	5-3/8		
M374	8	FB3/8X2	0	6		P
374RB5	4	BRACES				
374RB5	4	RB1/2	2	5-1/2		
M374	8	FB3/8X2	0	6		P
		FIELD BOLTS				
F1232A	61	A325 3/4X2				
F1292A	5	A325 3/4X5-3/4				

**AS BUILT**  
 NAME: *Max Hughes*  
 DATE: **AUG 18 1999**

NO.	DATE	REVISION DESCRIPTION	OWN	CHKD

CONTRACTOR TO CHECK ALL DIMENSIONS AT JOB AS MID STATES STEEL PRODUCTS CO. ASSUMES NO RESPONSIBILITY FOR GENERAL BUILDING DIMENSIONS. NO BACK CHARGES PERTAINING TO THIS WORK WILL BE ACCEPTED WITHOUT PRIOR AUTHORIZATION BY MID STATES STEEL PRODUCTS CO.

MATERIAL U/A A36 DRAWN BY **SC** JOB NAME COMMONWEALTH STADIUM EXPANSION  
 OPEN HOLES U/A 13/16" DATE 1/99 JOB LOCATION UNIVERSITY OF KENTUCKY  
 WELD ELECTRODE U/A E70XX CHECKED BY CONTRACTOR TURNER CONSTRUCTION COMPANY  
 SHOP PAINT SEE SPECS DATE ENGINEER WALTER P. MOORE

DRAWING TITLE WINDOW WASHING FRAMES

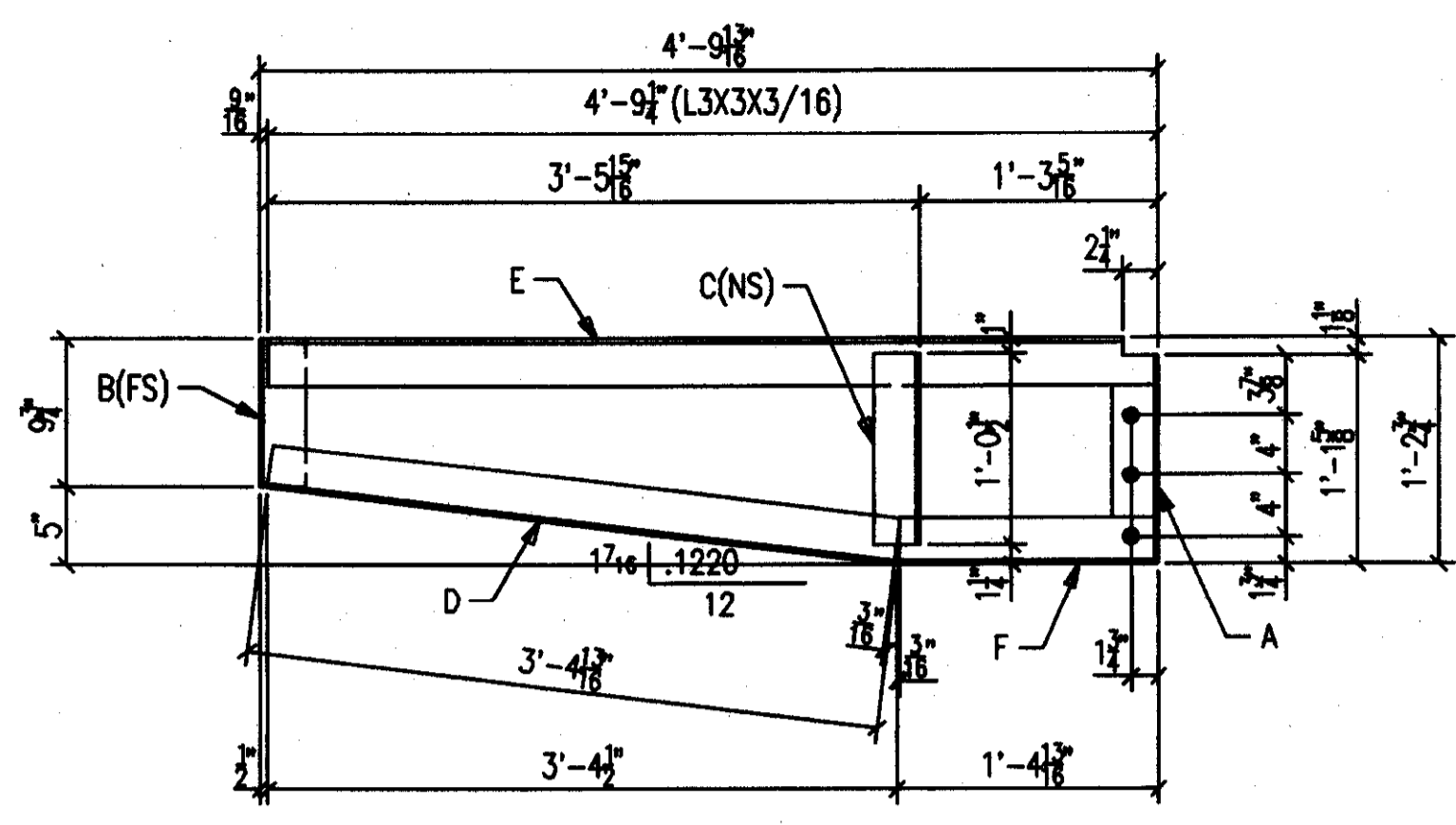
2044 BUCK LANE  
 LEXINGTON, KENTUCKY 40511  
 PHONE: 606-233-4344 FAX: 606-233-4346

ORDER NO. P3524  
 SHEET NO. 374

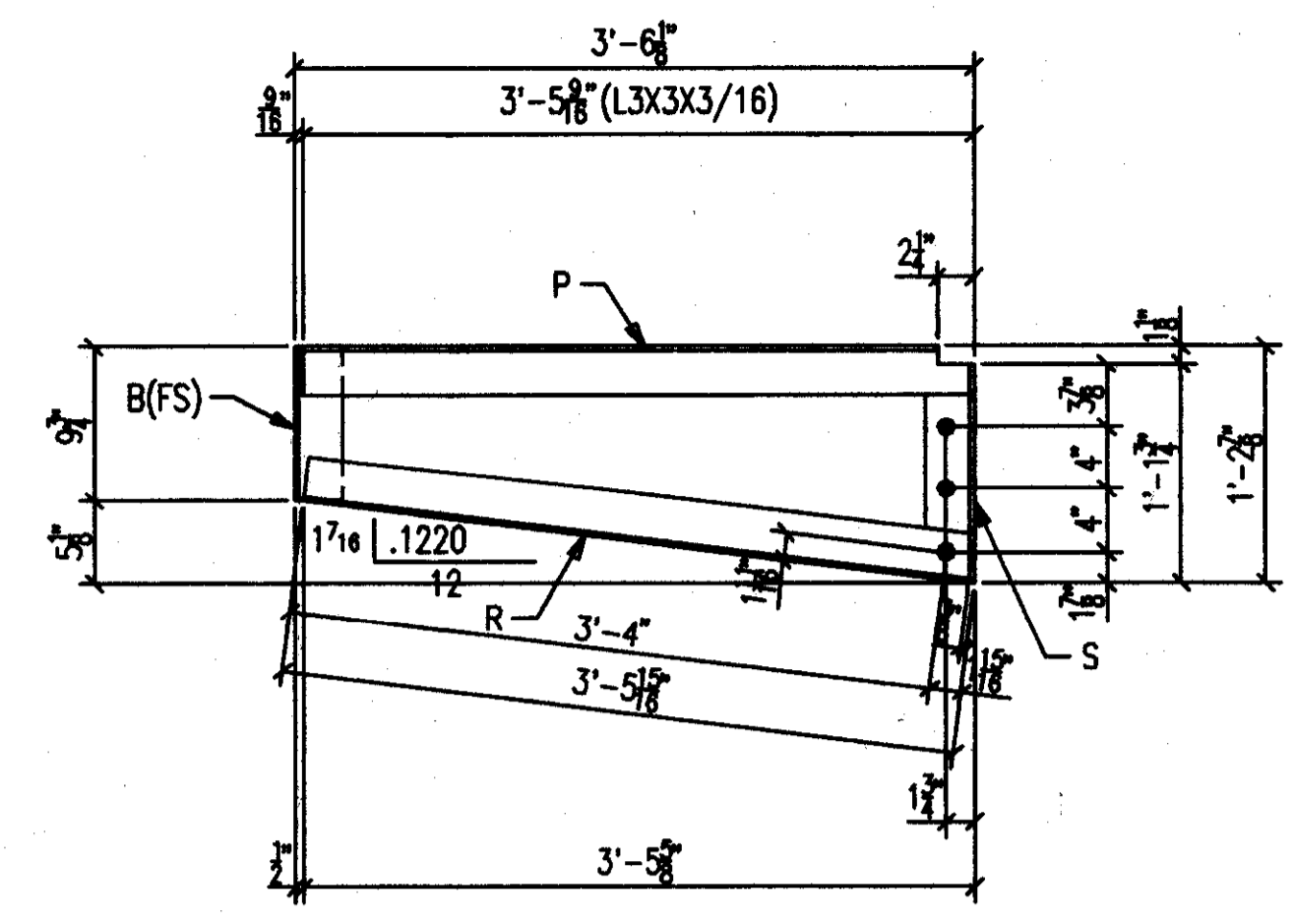
FABRICATORS OF STRUCTURAL AND MISCELLANEOUS STEEL

# BILL OF MATERIAL

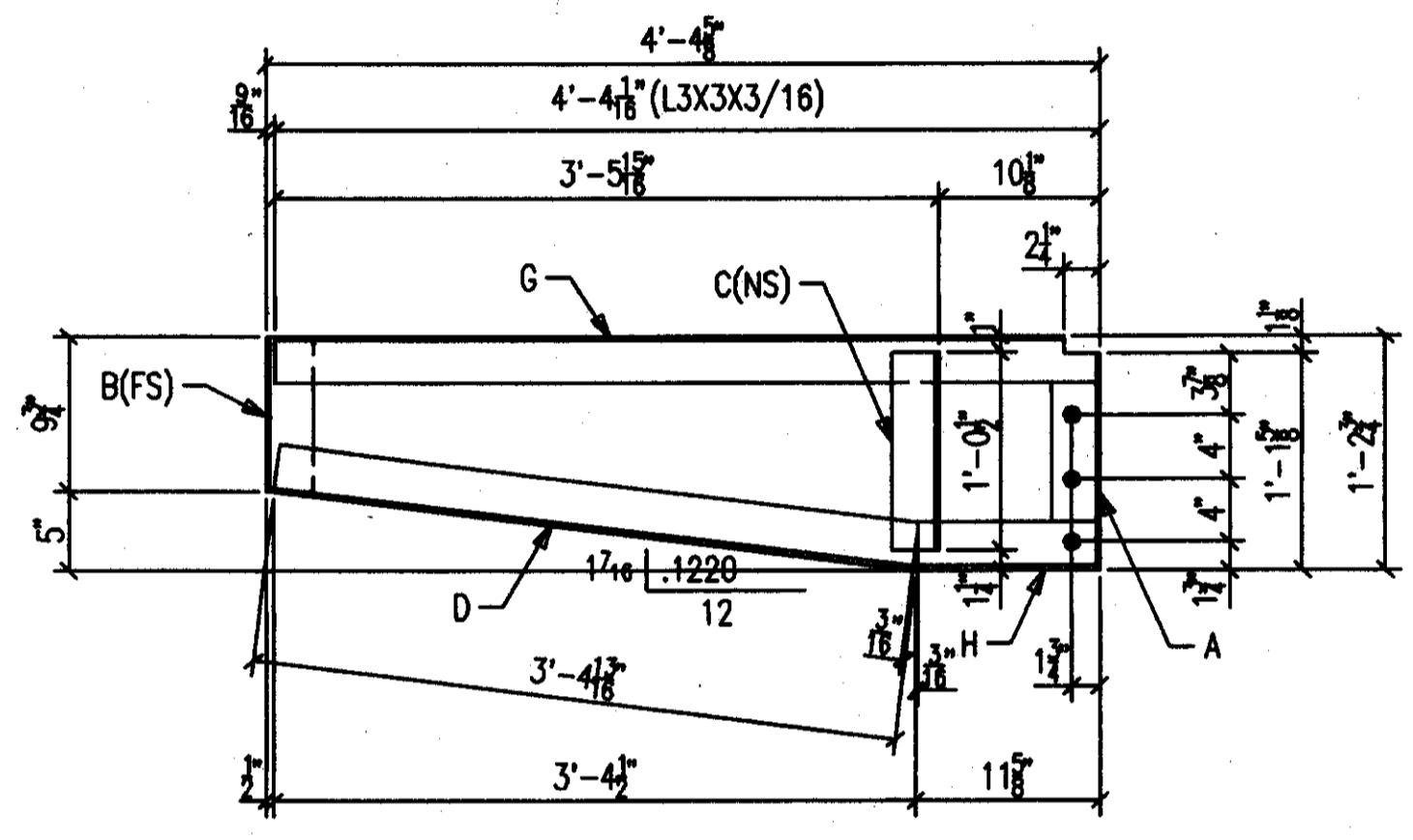
SHIP MARK SUB MARK	NO. PCS.	DESCRIPTION	LENGTH		CT FT	REMARKS
			FT.	IN.		
375M1	2	WLKWAY CANOPY FRAMES				
A375	2	L3X3X3/16	1	1-3/8		P/CTF
B375	2	L3X3X3/16	0	9-3/4		
C375	2	L3X3X3/16	1	0-1/2		
D375	2	L3X3X3/16	3	4-13/16		BC1E
E375	2	L3X3X3/16	4	9-1/4		
F375	2	L3X3X3/16	1	4-13/16		P/BC1E
375M2	2	WLKWAY CANOPY FRAMES				
A375	2	L3X3X3/16	1	1-3/8		P/CTF
B375	2	L3X3X3/16	0	9-3/4		
C375	2	L3X3X3/16	1	0-1/2		
D375	2	L3X3X3/16	3	4-13/16		BC1E
G375	2	L3X3X3/16	4	4-1/16		
H375	2	L3X3X3/16	0	11-5/8		P/BC1E
375M3	2	WLKWAY CANOPY FRAMES				
A375	2	L3X3X3/16	1	1-3/8		P/CTF
B375	2	L3X3X3/16	0	9-3/4		
D375	2	L3X3X3/16	3	4-13/16		BC1E
K375	2	L3X3X3/16	3	10-13/16		
M375	2	L3X3X1/4	0	6-3/8		P/BC1E
375M4	2	WLKWAY CANOPY FRAMES				
B375	2	L3X3X3/16	0	9-3/4		
P375	2	L3X3X3/16	3	5-9/16		
R375	2	L3X3X3/16	3	5-15/16		P/BC1E
S375	2	L3X3X3/16	1	1-1/2		P/CTF
375M5	2	WLKWAY CANOPY FRAMES				
B375	2	L3X3X3/16	0	9-3/4		
T375	2	L3X3X3/16	3	4-9/16		
W375	2	L3X3X3/16	3	4-15/16		P/BC1E
Y375	2	L3X3X3/16	1	1-3/8		P/CTF
375M6	2	WLKWAY CANOPY FRAMES				
AA375	2	L3X3X3/16	3	6-1/2		
AB375	2	L3X3X3/16	3	6-7/8		P/BC1E
B375	2	L3X3X3/16	0	9-3/4		
Z375	2	L3X3X3/16	1	1-5/8		P/BC1E
		FIELD BOLTS				
F1228A	37	A325 3/4X1-3/4				



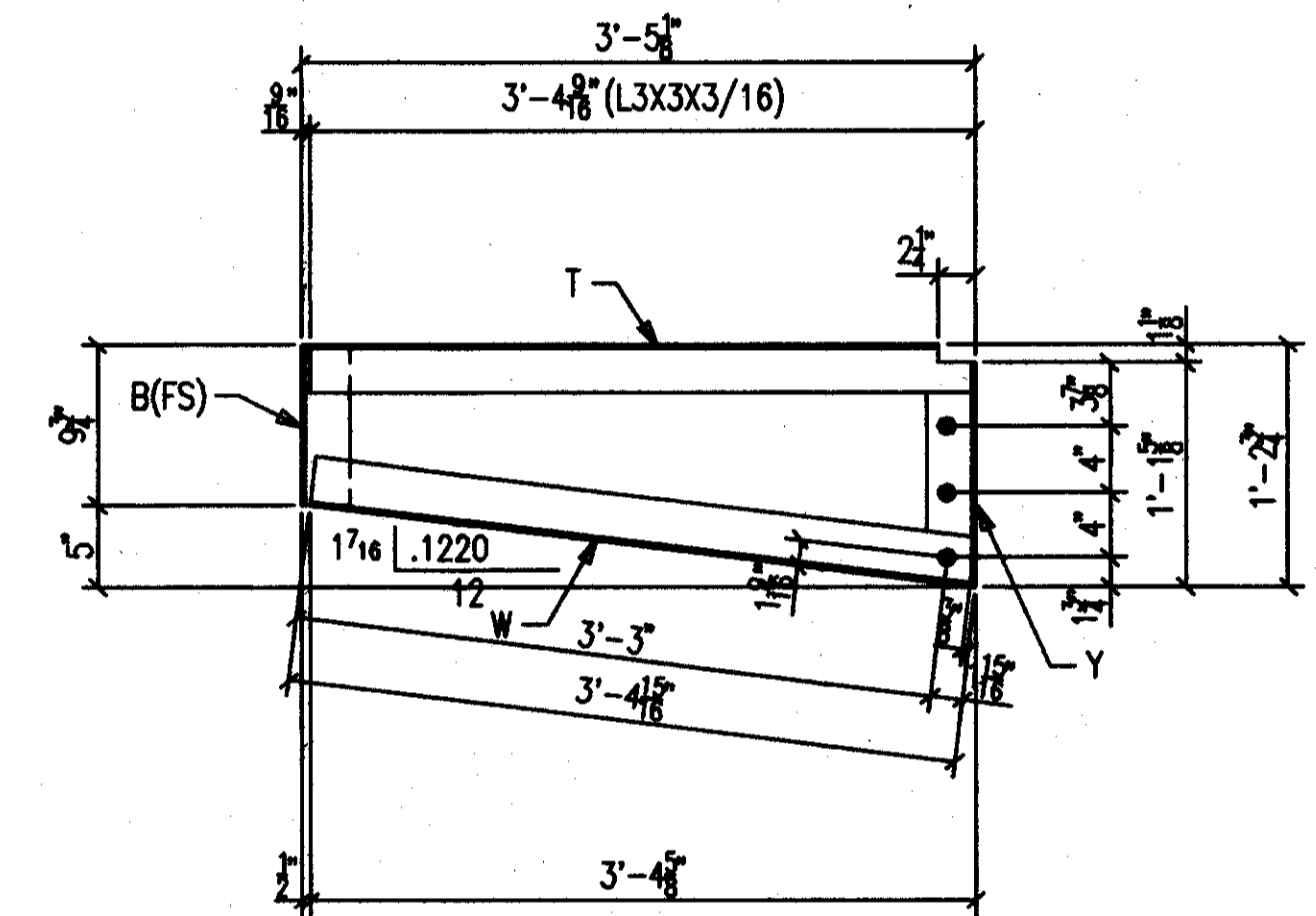
2-WALKWAY CANOPY FRAMES 375M1  
6-A325 3/4 X 1 3/4 F1228A



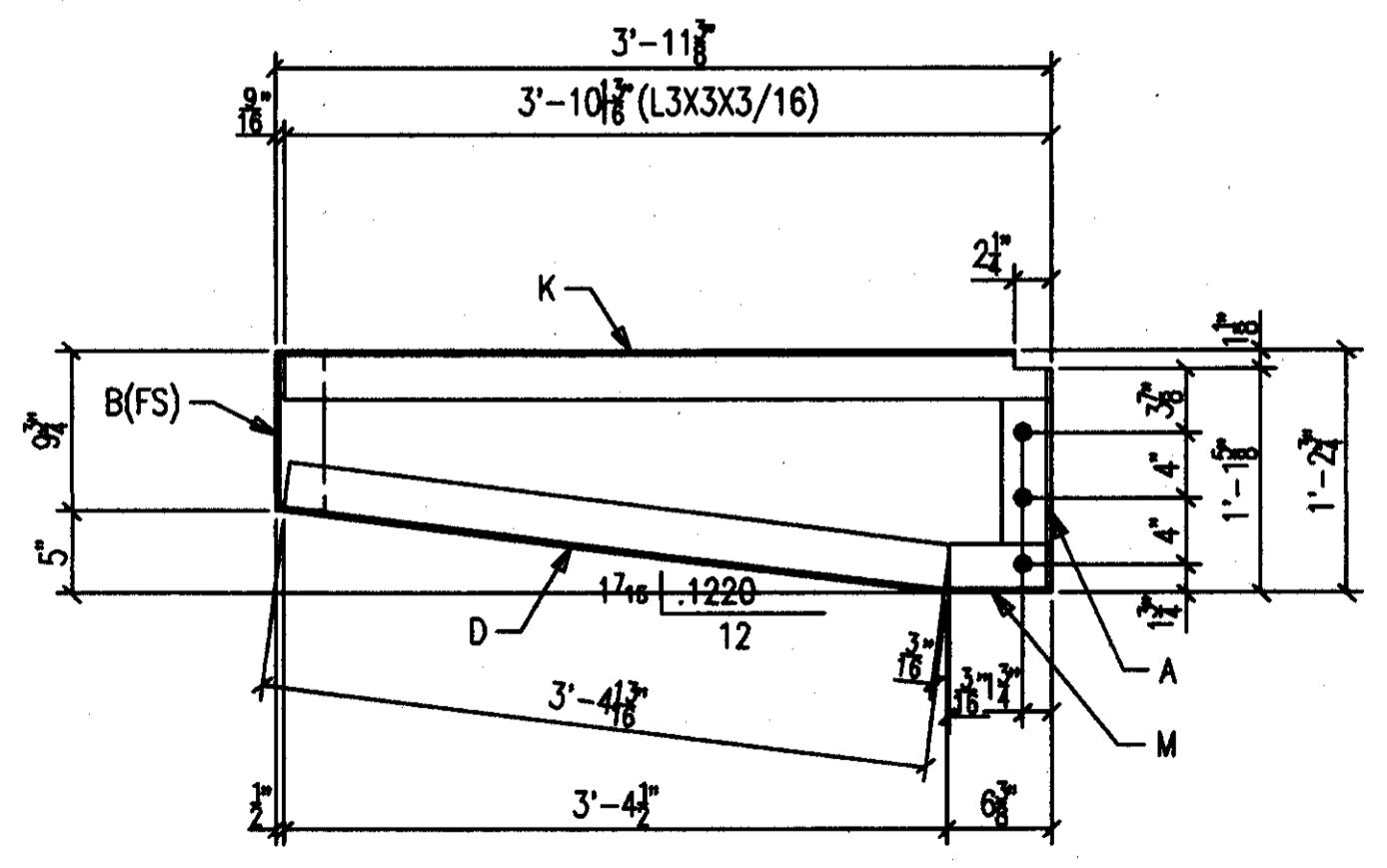
2-WALKWAY CANOPY FRAMES 375M4  
6-A325 3/4 X 1 3/4 F1228A



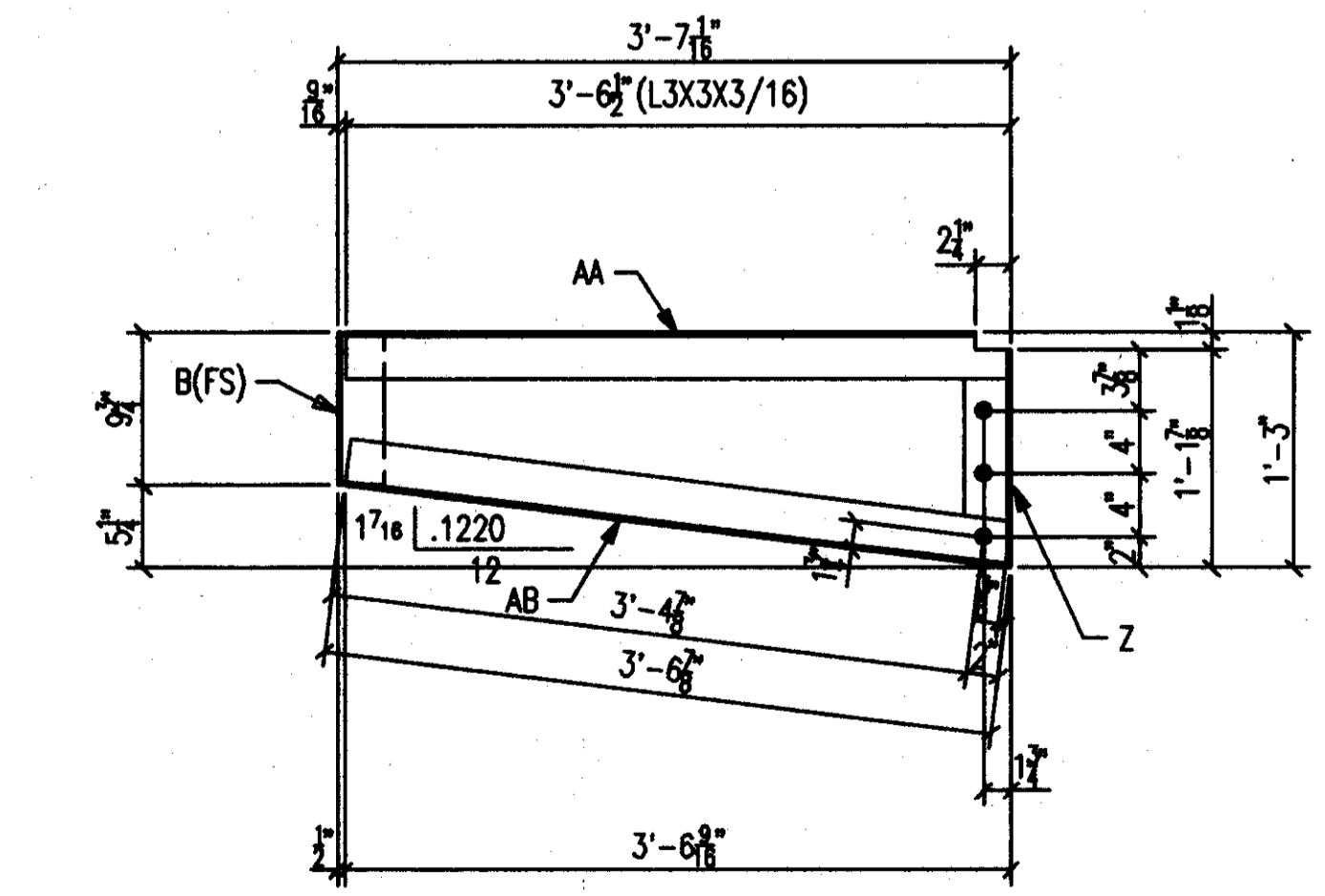
2-WALKWAY CANOPY FRAMES 375M2  
6-A325 3/4 X 1 3/4 F1228A



2-WALKWAY CANOPY FRAMES 375M5  
6-A325 3/4 X 1 3/4 F1228A



2-WALKWAY CANOPY FRAMES 375M3  
6-A325 3/4 X 1 3/4 F1228A



2-WALKWAY CANOPY FRAMES 375M6  
6-A325 3/4 X 1 3/4 F1228A

**AS BUILT**  
NAME: *Map Krishna*  
DATE: **AUG 16 1999**

ALL RE-ENTRANT CUTS MIN. 1/2" RAD. U/M	WELD ELECTRODE U/M E70XX	CHECKED BY	CONTRACTOR
ALL A325 BOLTS W/ONE HARD WASH. AND HVY HEX NUT	SHOP PAINT SEE SPECS	DATE	ENGINEER
ALL A307 BOLTS w/HEX NUT	DRAWING TITLE	WINDOW WASHING CANOPY FRAMES	
DATE	APP	SHOP	FIELD

CONTRACTOR TO CHECK ALL DIMENSIONS AT JOB AS MID STATES STEEL PRODUCTS CO. ASSUMES NO RESPONSIBILITY FOR GENERAL BUILDING DIMENSIONS. NO BACK CHARGES PERTAINING TO THIS WORK WILL BE ACCEPTED WITHOUT PRIOR AUTHORIZATION BY MID STATES STEEL PRODUCTS CO.

MATERIAL U/M A36  
OPEN HOLES U/M 13/16" Ø  
DATE 1/99  
JOB NAME COMMONWEALTH STADIUM EXPANSION  
JOB LOCATION UNIVERSITY OF KENTUCKY  
CONTRACTOR TURNER CONSTRUCTION COMPANY  
ENGINEER WALTER P. MOORE

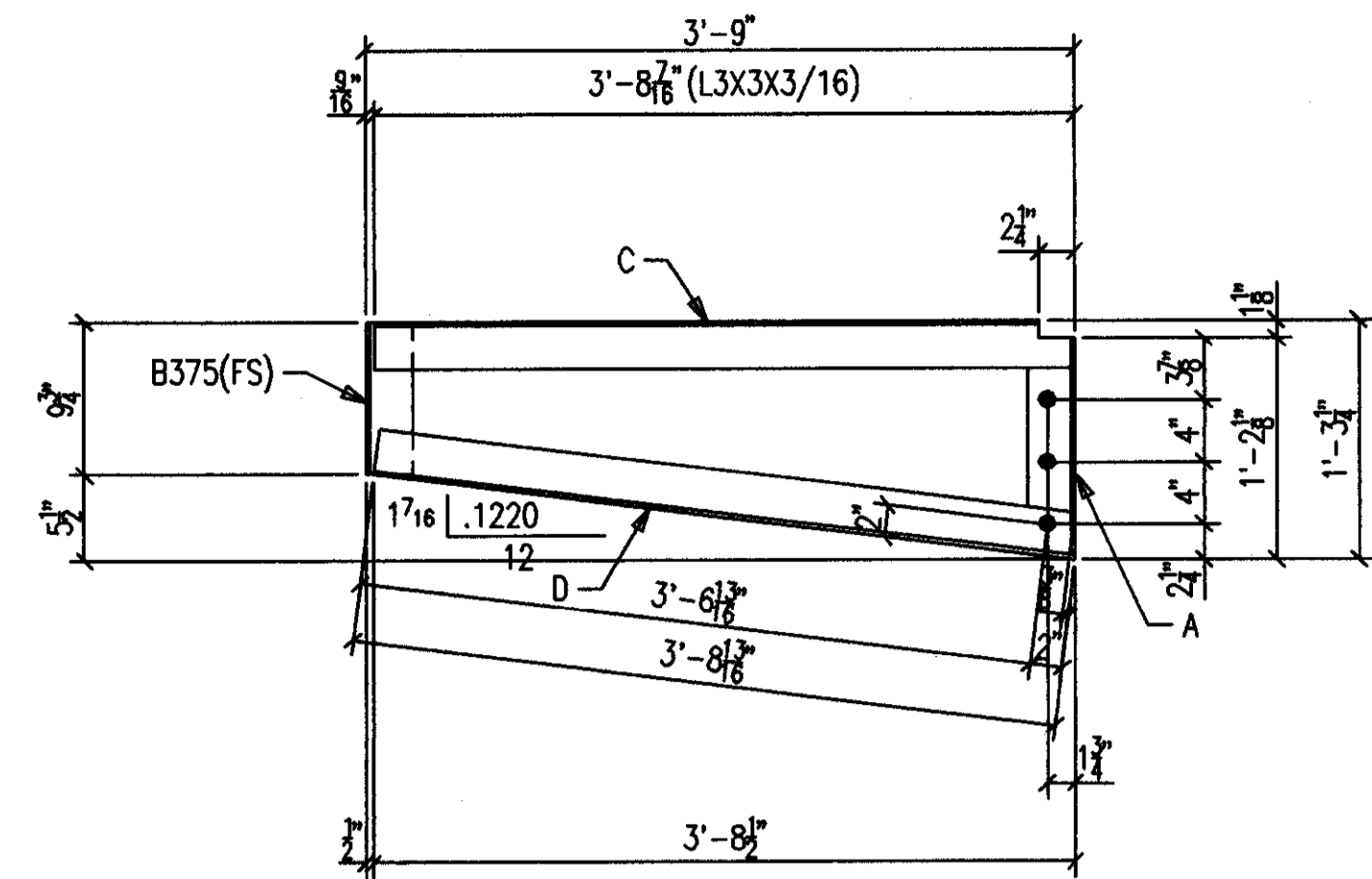
2044 BUCK LANE  
LEXINGTON, KENTUCKY 40511  
PHONE: 606-233-4344 FAX: 606-233-4346

ORDER NO. P3524  
SHEET NO. 375  
FABRICATORS OF STRUCTURAL AND MISCELLANEOUS STEEL

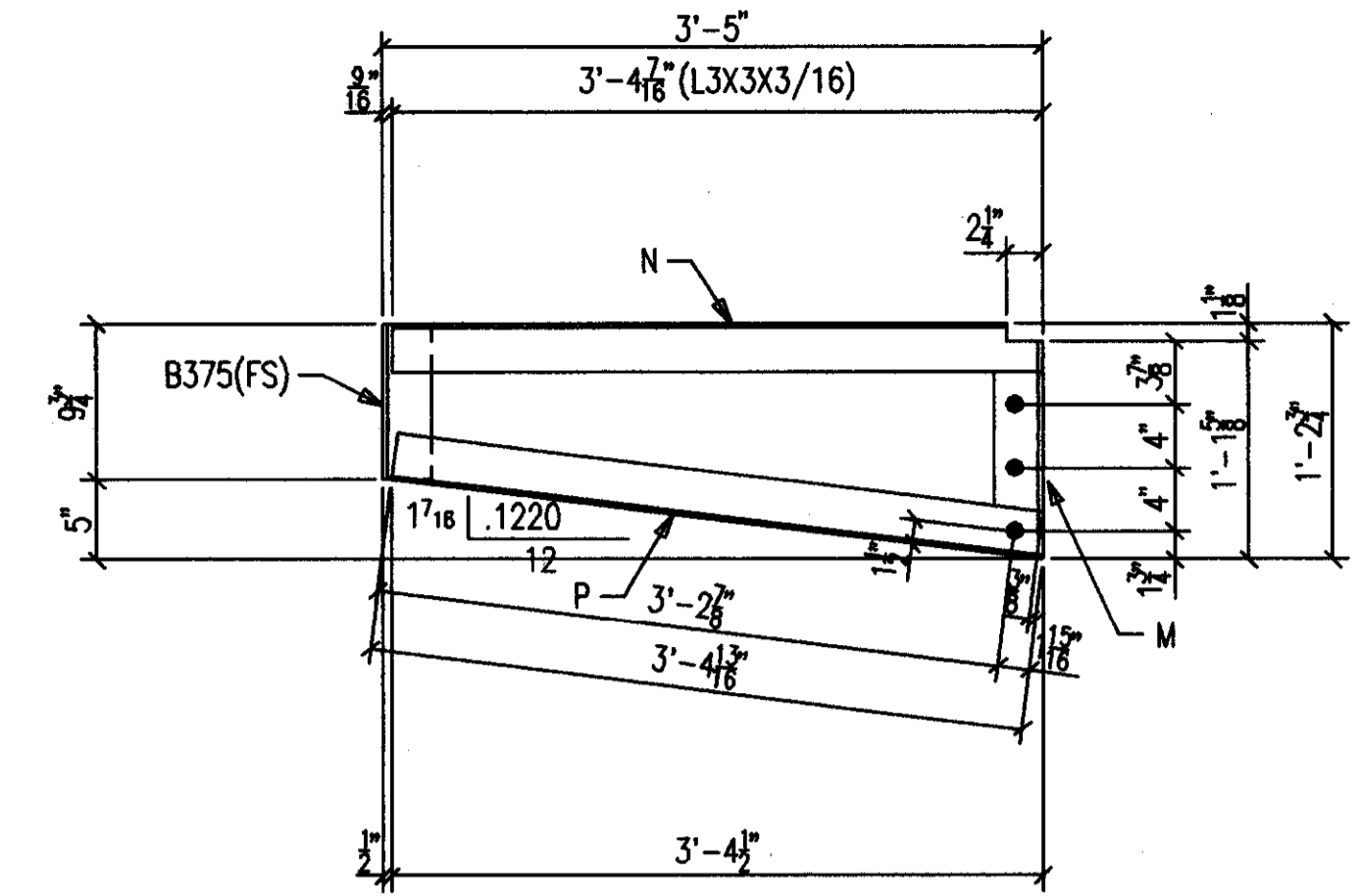
Docu # 34751  
C-1

**BILL OF MATERIAL**

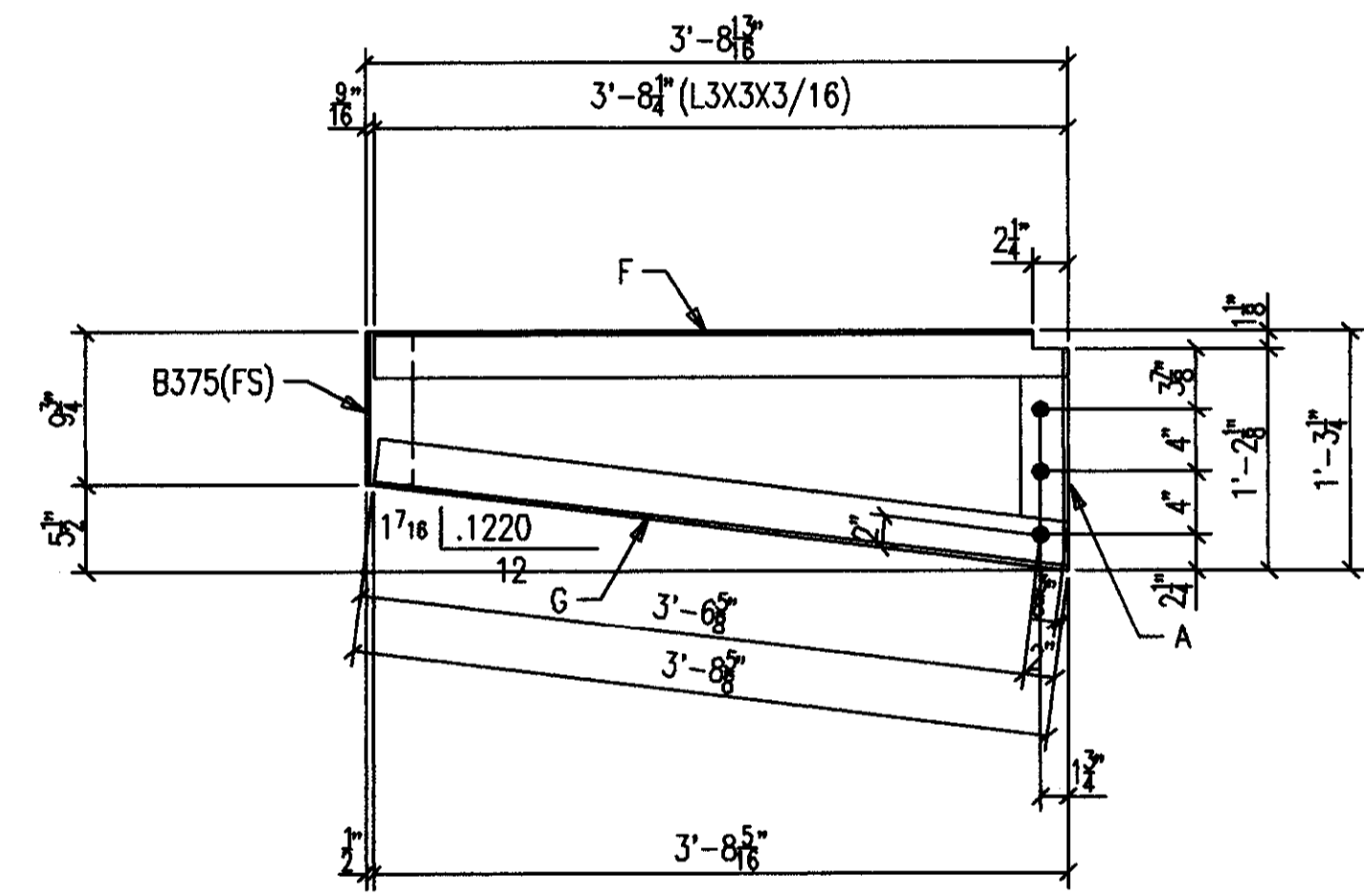
SHIP MARK SUB MARK	NO. PCS.	DESCRIPTION	LENGTH		CL LIST	REMARKS
			FT.	IN.		
376M1	2	WLKWAY CANOPY FRAMES				
A376	2	L3X3X3/16	1	1-7/8		P/CTF
B375	2	L3X3X3/16	0	9-3/4		
C376	2	L3X3X3/16	3	8-7/16		
D376	2	L3X3X3/16	3	8-13/16		P/BC1E
376M2	12	WLKWAY CANOPY FRAMES				
A376	12	L3X3X3/16	1	1-7/8		P/CTF
B375	12	L3X3X3/16	0	9-3/4		
F376	12	L3X3X3/16	3	8-1/4		
G376	12	L3X3X3/16	3	8-5/8		P/BC1E
376M3	12	WLKWAY CANOPY FRAMES				
B375	12	L3X3X3/16	0	9-3/4		
H376	12	L3X3X3/16	3	6-5/16		
K376	12	L3X3X3/16	3	6-11/16		P/BC1E
Z375	12	L3X3X3/16	1	1-5/8		P/BC1E
376M4	12	WLKWAY CANOPY FRAMES				
B375	12	L3X3X3/16	0	9-3/4		
M376	12	L3X3X3/16	1	1-3/8		P/CTF
N376	12	L3X3X3/16	3	4-7/16		
P376	12	L3X3X3/16	3	4-13/16		P/BC1E
376M5	2	WLKWAY CANOPY FRAMES				
B375	2	L3X3X3/16	0	9-3/4		
R376	2	L3X3X3/16	1	0-3/4		P/CTF
S376	2	L3X3X3/16	3	1-1/2		
T376	2	L3X3X3/16	3	1-13/16		P/BC1E
376M6	6	WLKWAY CANOPY FRAMES				
B375	6	L3X3X3/16	0	9-3/4		
W376	6	L3X3X3/16	1	1-1/8		P/CTF
X376	6	L3X3X3/16	3	4-1/2		
Y376	6	L3X3X3/16	3	4-13/16		P/BC1E
		FIELD BOLTS				
F1228A	140	A325 3/4X1-3/4				



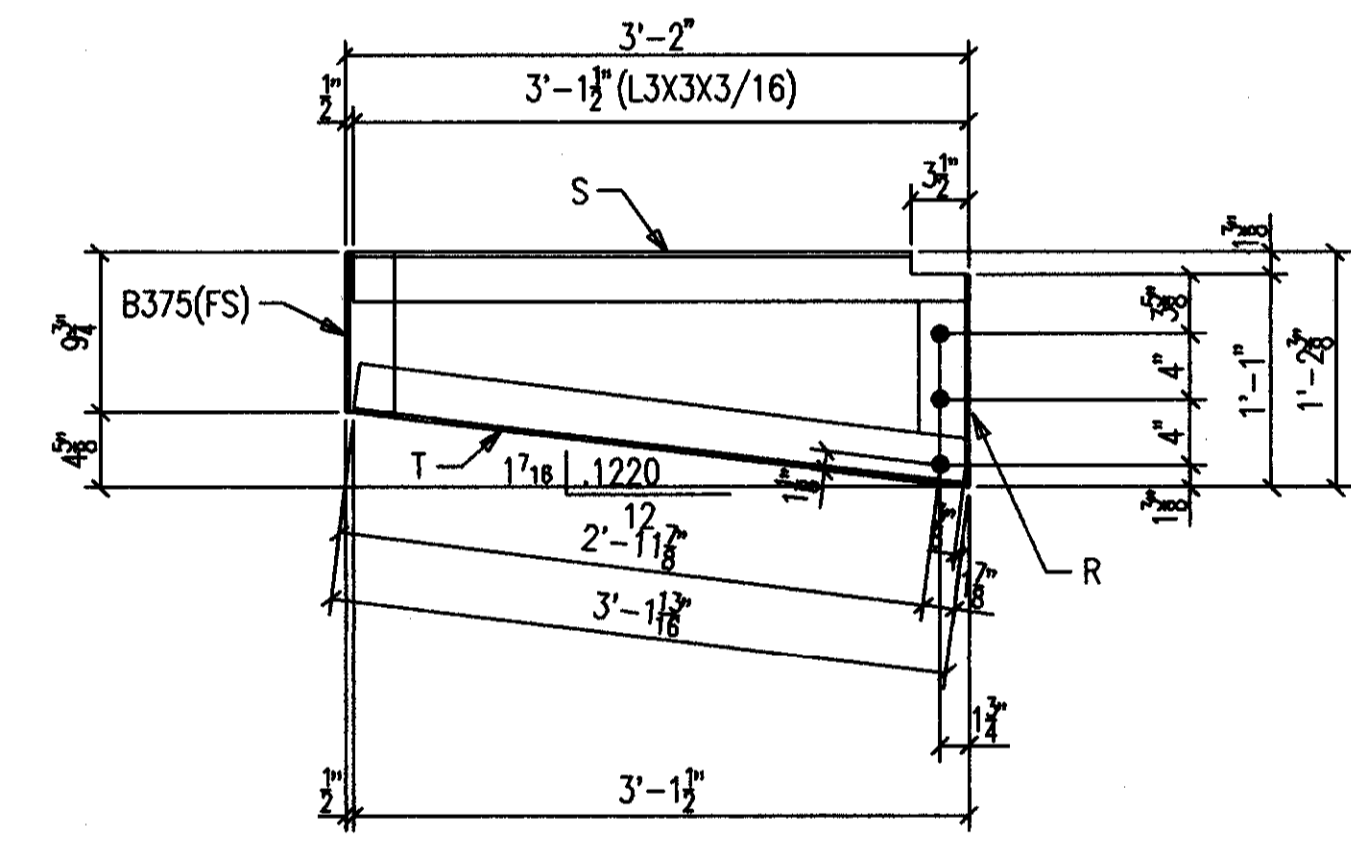
2-WALKWAY CANOPY FRAMES 376M1  
6-A325 3/4 X 1 3/4 F1228A



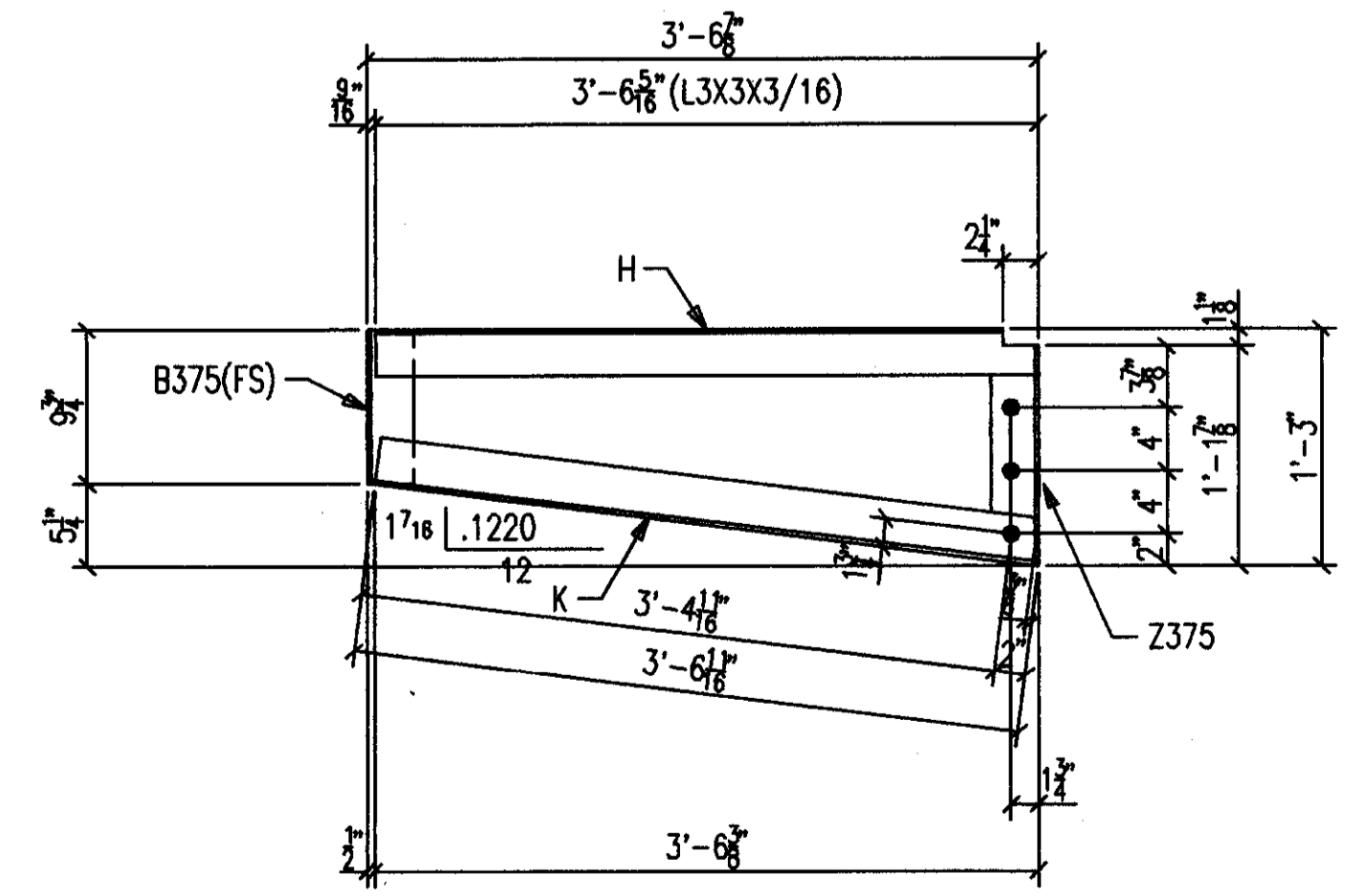
12-WALKWAY CANOPY FRAMES 376M4  
36-A325 3/4 X 1 3/4 F1228A



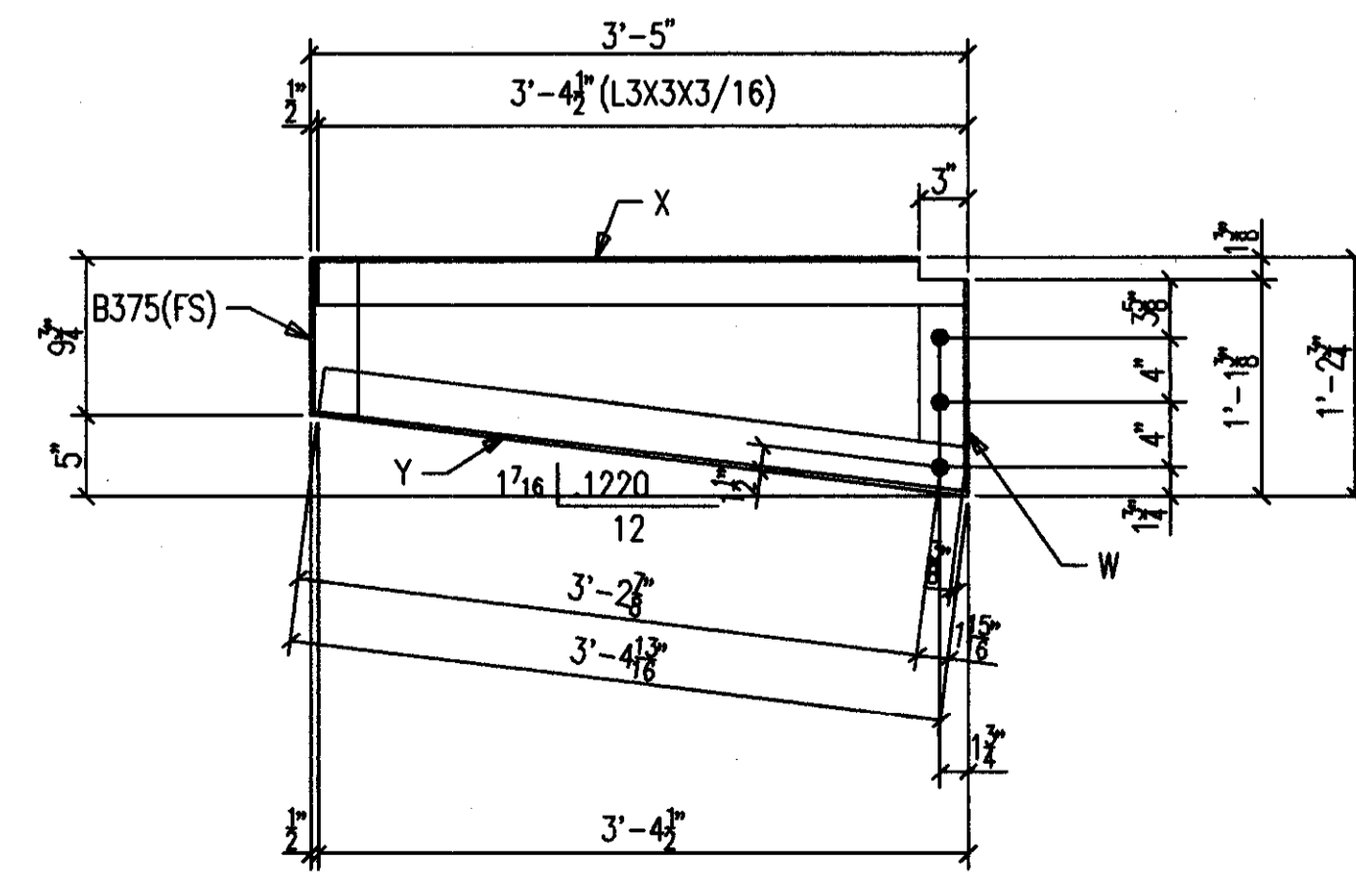
12-WALKWAY CANOPY FRAMES 376M2  
36-A325 3/4 X 1 3/4 F1228A



2-WALKWAY CANOPY FRAMES 376M5  
6-A325 3/4 X 1 3/4 F1228A



12-WALKWAY CANOPY FRAMES 376M3  
36-A325 3/4 X 1 3/4 F1228A



6-WALKWAY CANOPY FRAMES 376M6  
18-A325 3/4 X 1 3/4 F1228A

**AS BUILT**  
NAME: *Walter P. Moore*  
DATE: **AUG 16 1999**

ALL RE-ENTRANT CUTS MIN. 1/2" RAD. U/N	WELD ELECTRODE U/N E70XX	CHECKED BY	CONTRACTOR
ALL A325 BOLTS w/ONE HARD WASH. AND HVY HEX NUT	SHOP PAINT SEE SPECS	DATE	ENGINEER
ALL A307 BOLTS w/HEX NUT	DRAWING TITLE		
DATE	APP	SHOP	FIELD

CONTRACTOR TO CHECK ALL DIMENSIONS AT JOB AS MID STATES STEEL PRODUCTS CO. ASSUMES NO RESPONSIBILITY FOR GENERAL BUILDING DIMENSIONS. NO BACK CHARGES PERTAINING TO THIS WORK WILL BE ACCEPTED WITHOUT PRIOR AUTHORIZATION BY MID STATES STEEL PRODUCTS CO.

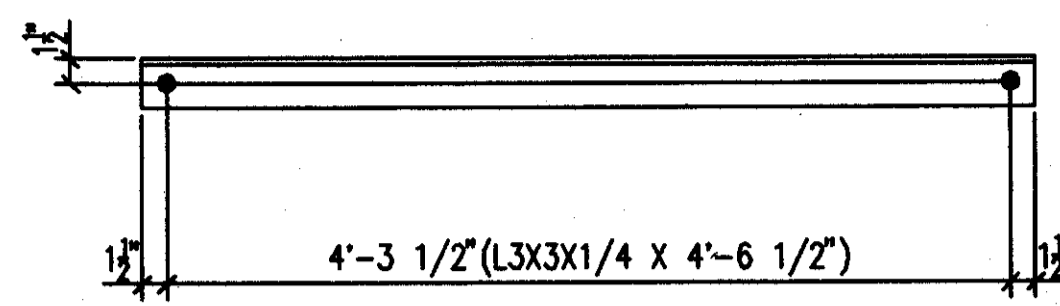
MATERIAL U/N A36  
OPEN HOLES U/N 13/16" Ø  
JOB NAME COMMONWEALTH STADIUM EXPANSION  
DATE 1/99  
JOB LOCATION UNIVERSITY OF KENTUCKY  
CONTRACTOR TURNER CONSTRUCTION COMPANY  
ENGINEER WALTER P. MOORE

DRIVING TITLE WINDOW WASHING CANOPY FRAMES

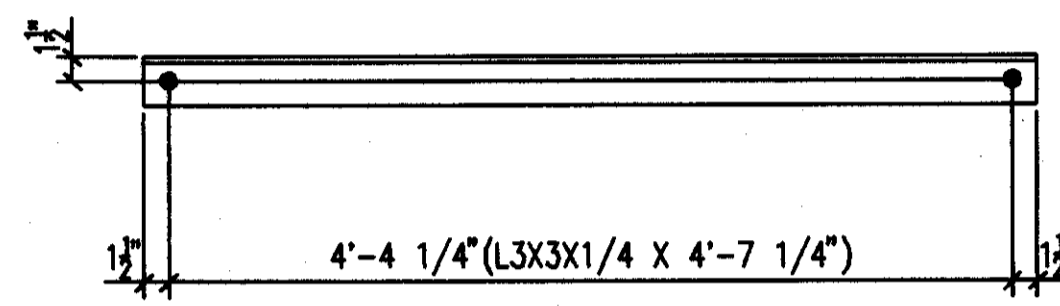
2044 BUCK LANE  
LEXINGTON, KENTUCKY 40511  
PHONE: 606-235-4344 FAX: 606-235-4346

ORDER NO. **P3524**  
SHEET NO. **376**

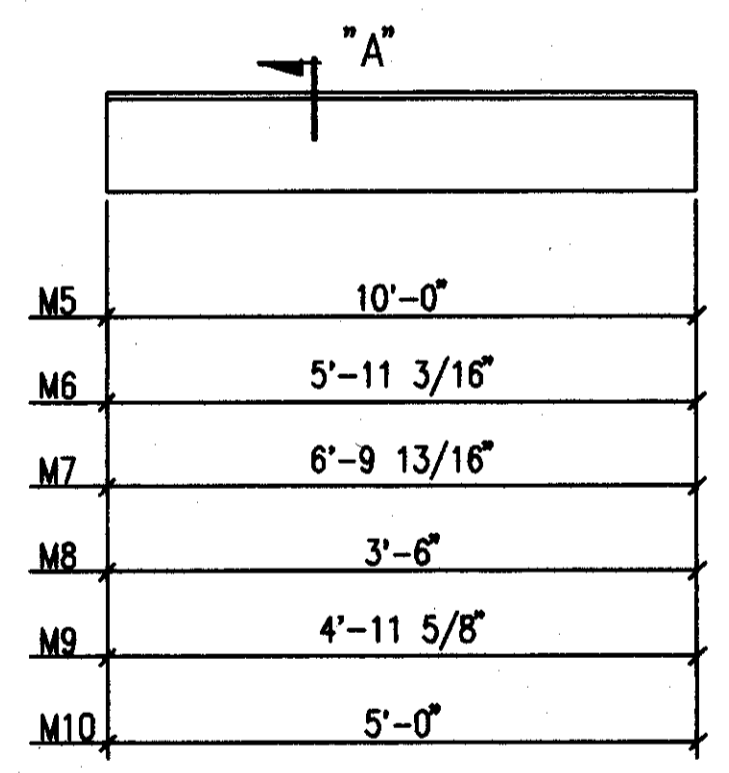
FABRICATORS OF STRUCTURAL AND MISCELLANEOUS STEEL



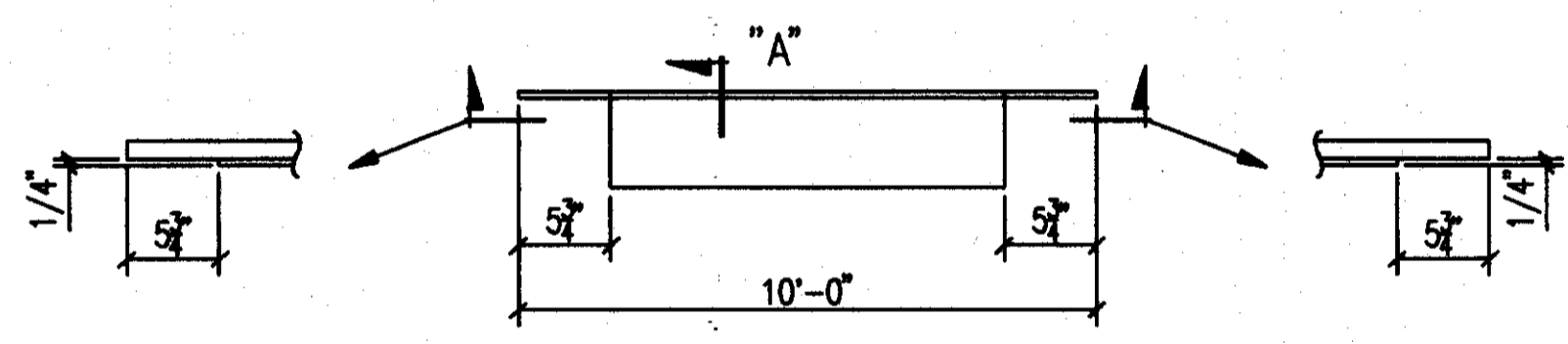
14-CANOPY BRACES 377D1  
28-A325 3/4 X 1 1/4 F1228A



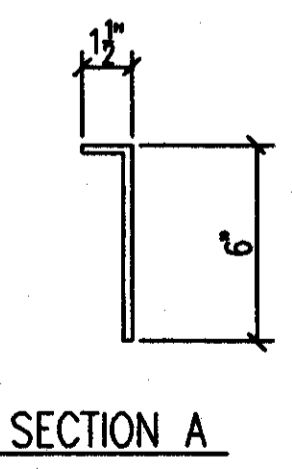
36-CANOPY BRACES 377D2  
72-A325 3/4 X 1 1/4 F1228A



- 16-ROOF CURB PLATES 377M5
- 2-ROOF CURB PLATES 377M6
- 2-ROOF CURB PLATES 377M7
- 2-ROOF CURB PLATES 377M8
- 2-ROOF CURB PLATES 377M9
- 10-ROOF CURB PLATES 377M10



2-ROOF CURB PLATES 377M11



SECTION A

BILL OF MATERIAL

SHIP MARK SUB MARK	NO. PCS.	DESCRIPTION	LENGTH		CL U S T	REMARKS
			FT.	IN.		
377D1	14	CANOPY BRACES				
377D1	14	L3X3X1/4	4	6-1/2		P
377D2	36	CANOPY BRACES				
377D2	36	L3X3X1/4	4	7-1/4		P
377M1	DMIT	CANOPY STIFFENERS				
377M1	25	F3/8X4-1/2	1	2-7/8		P
377M2	DMIT	CANOPY STIFFENERS				
377M2	3	F3/8X4	1	10-1/2		P
377M3	DMIT	BRACING STIFFENERS				
377M3	25	F3/8X4	1	2-7/8		P
377M4	DMIT	BRACING STIFFENERS				
377M4	25	F3/8X5	0	5		P
377M5	16	ROOF CURB PLATES				
377M5	16	PL1/4X7	10	0		BENT
377M6	2	ROOF CURB PLATES				
377M6	2	PL1/4X7	5	11-3/16		BENT
377M7	2	ROOF CURB PLATES				
377M7	2	PL1/4X7	6	9-13/16		BENT
377M8	2	ROOF CURB PLATES				
377M8	2	PL1/4X7	3	6		BENT
377M9	2	ROOF CURB PLATES				
377M9	2	PL1/4X7	4	11-5/8		BENT
377M10	10	ROOF CURB PLATES				
377M10	10	PL1/4X7	5	0		BENT
377M11	2	ROOF CURB PLATES				
377M11	2	PL1/4X7	10	0		BENT
		FIELD BOLTS				
F1228A	102	A325 3/4X1-3/4				

**AS BUILT**  
NAME: *Map*  
DATE: AUG 16 1999

ALL RE-ENTRANT CUTS MIN. 1/2" RAD. U/N	WELD ELECTRODE U/N E70XX	CHECKED BY	CONTRACTOR
ALL A325 BOLTS w/ONE HARD WASH. AND HVY HEX NUT	SHOP PAINT SEE SPECS	DATE	ENGINEER
ALL A307 BOLTS w/HEX NUT	DRAWING TITLE	WINDOW WASHING CANOPY FRAMES	
DATE	APP	SHOP	FIELD

CONTRACTOR TO CHECK ALL DIMENSIONS AT JOB AS MID STATES STEEL PRODUCTS CO. ASSUMES NO RESPONSIBILITY FOR GENERAL BUILDING DIMENSIONS. NO BACK CHARGES PERTAINING TO THIS WORK WILL BE ACCEPTED WITHOUT PRIOR AUTHORIZATION BY MID STATES STEEL PRODUCTS CO.	
MATERIAL U/N A36	DRAWN BY SC
OPEN HOLES U/N 13/16" Ø	DATE 1/99
WELD ELECTRODE U/N E70XX	CHECKED BY
SHOP PAINT SEE SPECS	DATE
ALL A307 BOLTS w/HEX NUT	DRAWING TITLE
DATE	APP
SHOP	FIELD

CONTRACTOR: COMMONWEALTH STADIUM EXPANSION  
JOB LOCATION: UNIVERSITY OF KENTUCKY  
CONTRACTOR: TURNER CONSTRUCTION COMPANY  
ENGINEER: WALTER P. MOORE

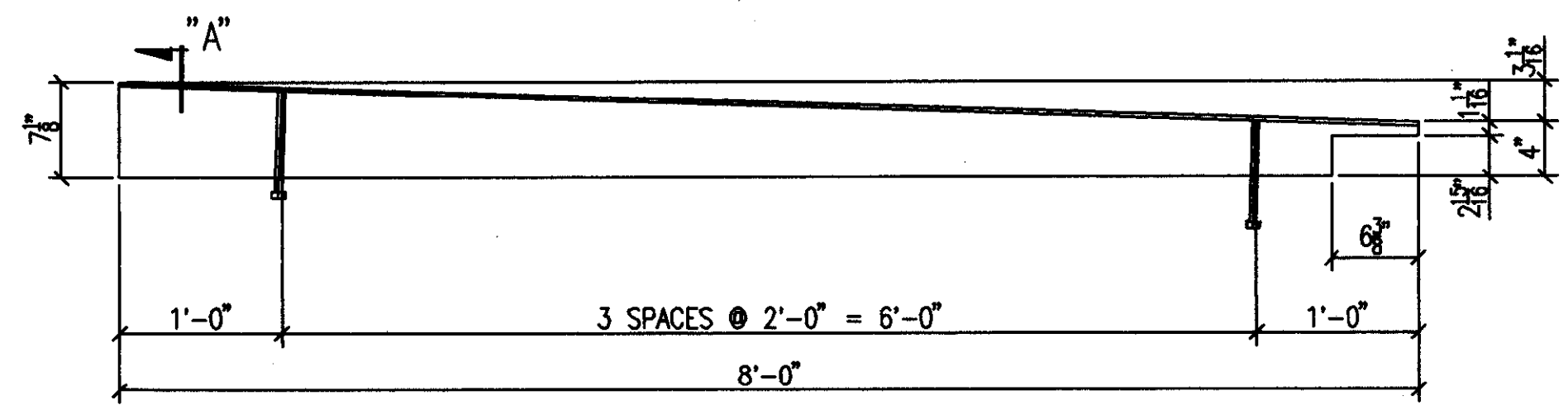
2044 BUCK LANE  
LEXINGTON, KENTUCKY 40511  
PHONE: 606-235-4344 FAX: 606-235-4346

**MID STATES STEEL PRODUCTS CO.**  
FABRICATORS OF STRUCTURAL AND MISCELLANEOUS STEEL

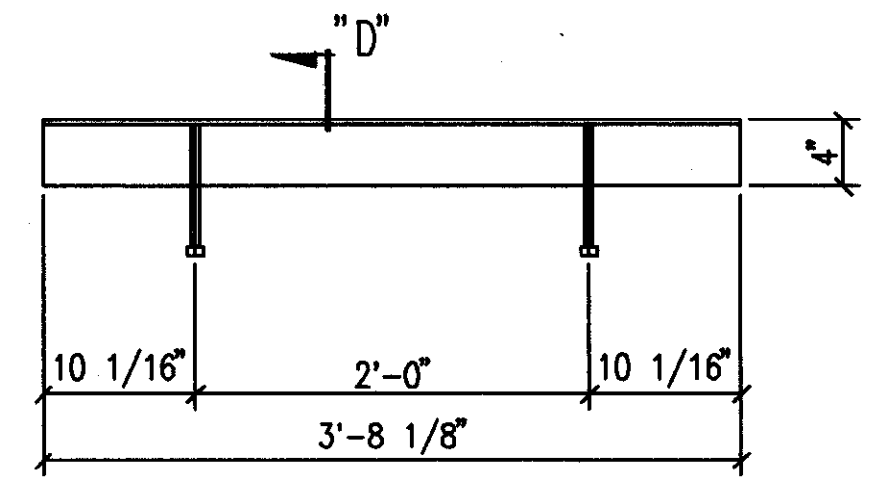
ORDER NO. P3524  
SHEET NO. 377

## BILL OF MATERIAL

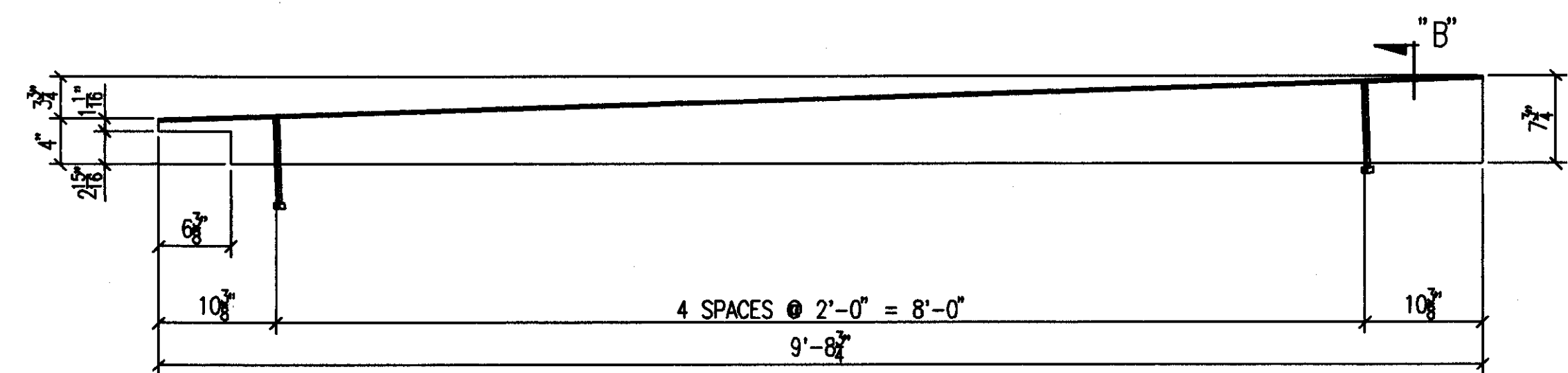
SHIP MARK SUB MARK	NO. PCS.	DESCRIPTION	LENGTH		CL UITS	REMARKS
			FT.	IN.		
378M1 L	ONE	CURB PLATE				
378M1	1	PL1/4X13-1/8	8	0		BENT
S08128CA	4	A STUD 1/2X8				
378M1 R	ONE	CURB PLATE				
378M1	1	PL1/4X13-1/8	8	0		BENT
S08128CA	4	A STUD 1/2X8				
378M2 L	ONE	CURB PLATE				
378M2	1	PL1/4X13-3/4	9	8-3/4		BENT
S08128CA	5	A STUD 1/2X8				
378M2 R	ONE	CURB PLATE				
378M2	1	PL1/4X13-3/4	9	8-3/4		BENT
S08128CA	5	A STUD 1/2X8				
378M3 L	ONE	CURB PLATE				
378M3	1	PL1/4X13-3/4	5	11-7/8		BENT
S08128CA	3	A STUD 1/2X8				
378M3 R	ONE	CURB PLATE				
378M3	1	PL1/4X13-3/4	5	11-7/8		BENT
S08128CA	3	A STUD 1/2X8				
378M4 L	ONE	CURB PLATE				
378M4	1	PL1/4X15-7/8	7	2-7/8		BENT
A378	1	PL1/4X6-1/4	0	9-3/8		
S08128CA	4	A STUD 1/2X8				
378M4 R	ONE	CURB PLATE				
378M4	1	PL1/4X15-7/8	7	2-7/8		BENT
A378	1	PL1/4X6-1/4	0	9-3/8		
S08128CA	4	A STUD 1/2X8				
378M5	2	CURB PLATES				
378M5	2	PL1/4X10	3	8-1/8		BENT
S08128CA	4	A STUD 1/2X8				
378M6	2	CURB PLATES				
378M6	2	PL1/4X10	8	0		BENT
S08128CA	4	A STUD 1/2X8				



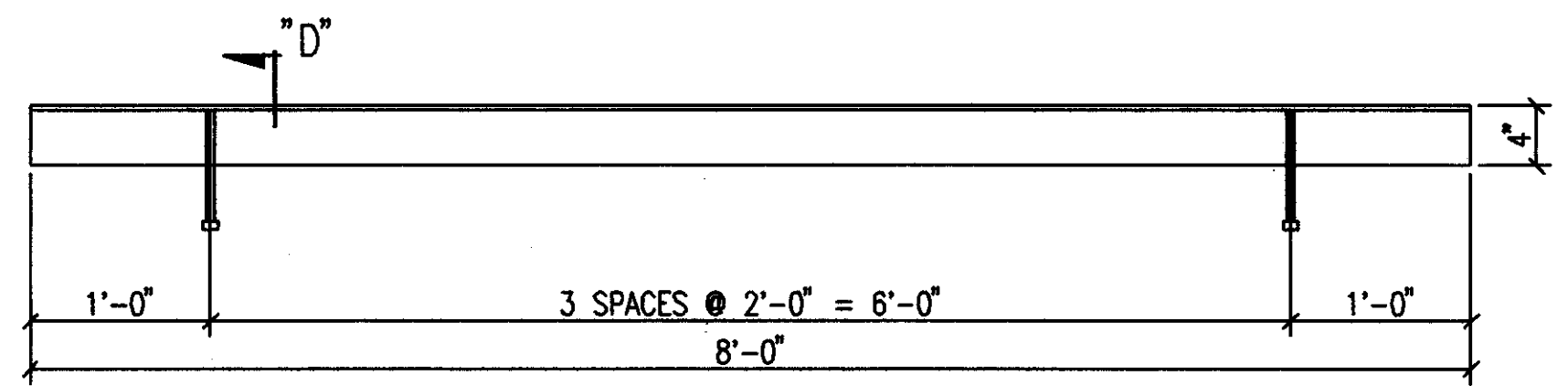
ONE-CURB PLATE 378M1 R [AS SHOWN]  
ONE-CURB PLATE 378M1 L [OPP HAND]



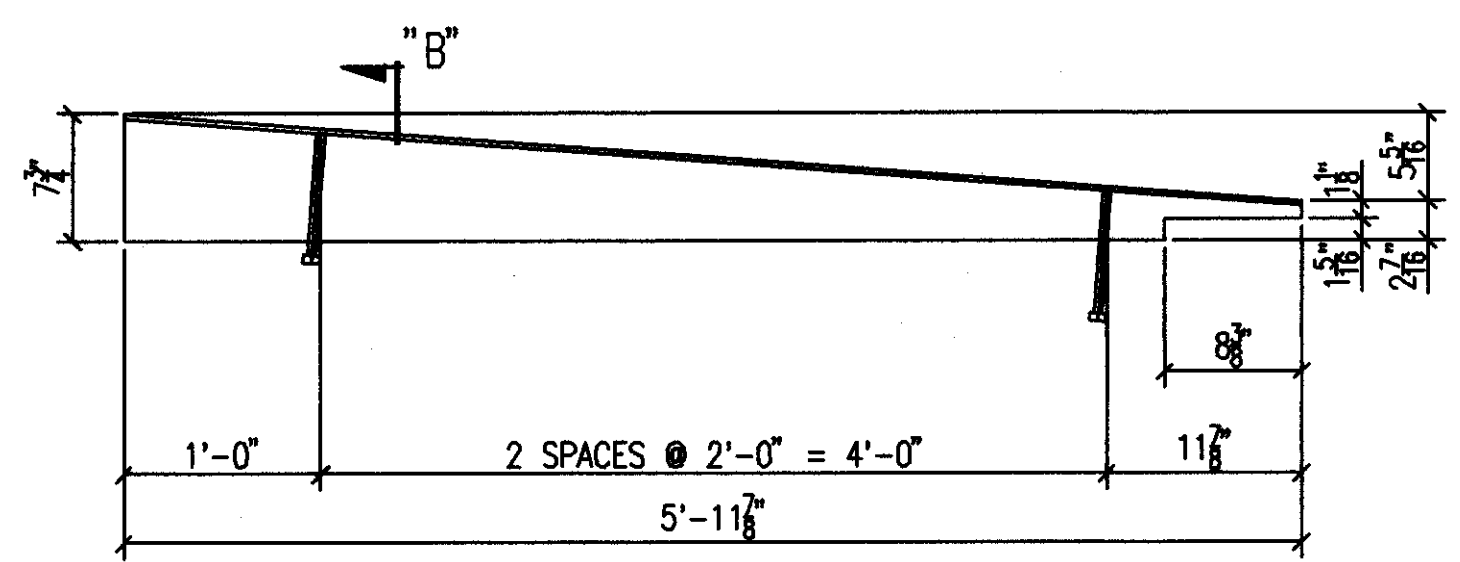
2-CURB PLATES 378M5



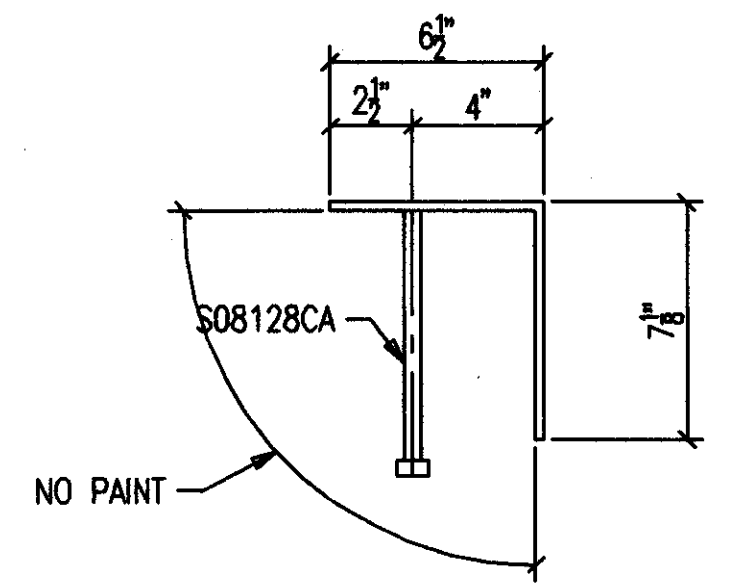
ONE-CURB PLATE 378M2 R [AS SHOWN]  
ONE-CURB PLATE 378M2 L [OPP HAND]



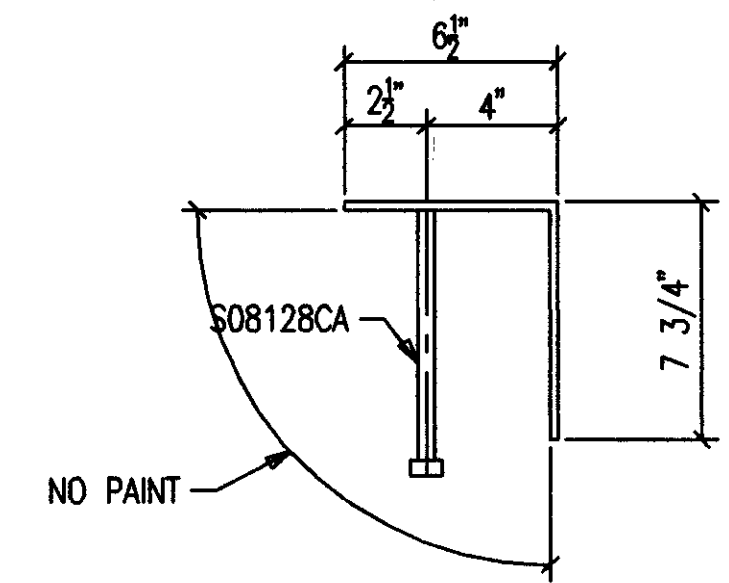
2-CURB PLATES 378M6



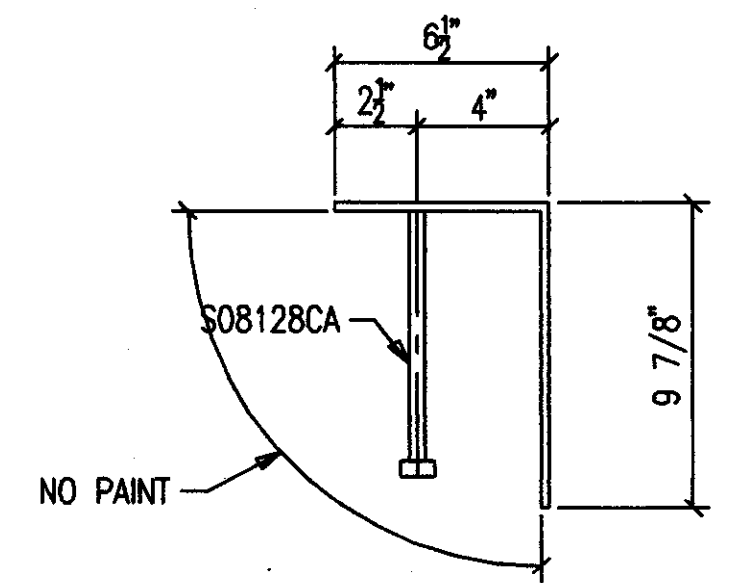
ONE-CURB PLATE 378M3 R [AS SHOWN]  
ONE-CURB PLATE 378M3 L [OPP HAND]



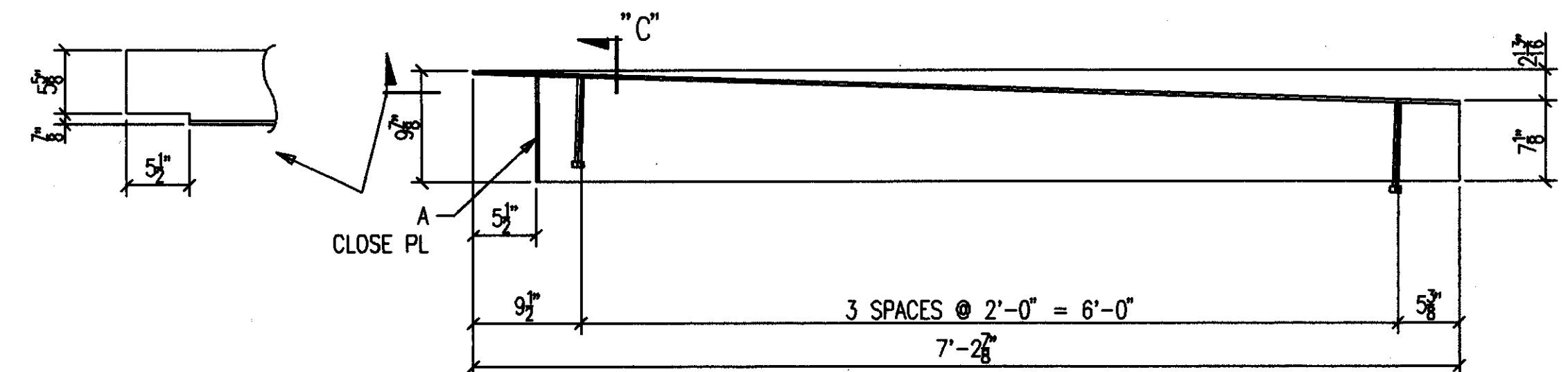
SECTION A



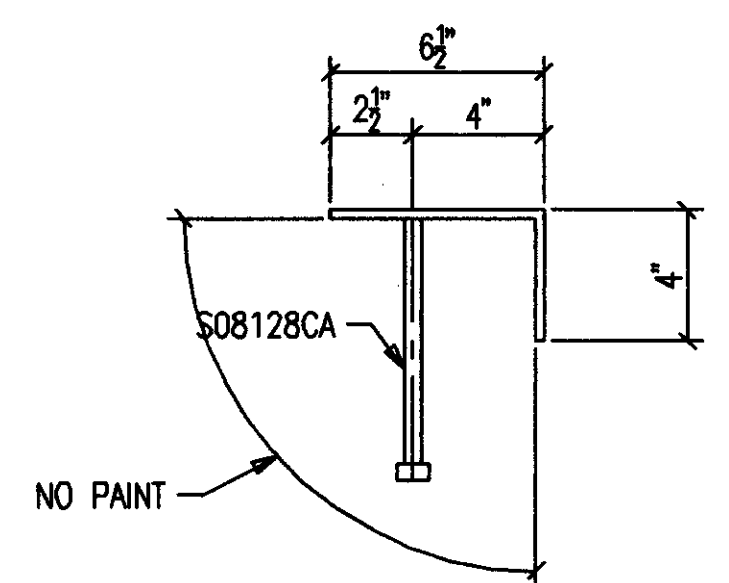
SECTION B



SECTION C



ONE-CURB PLATE 378M4 R [AS SHOWN]  
ONE-CURB PLATE 378M4 L [OPP HAND]

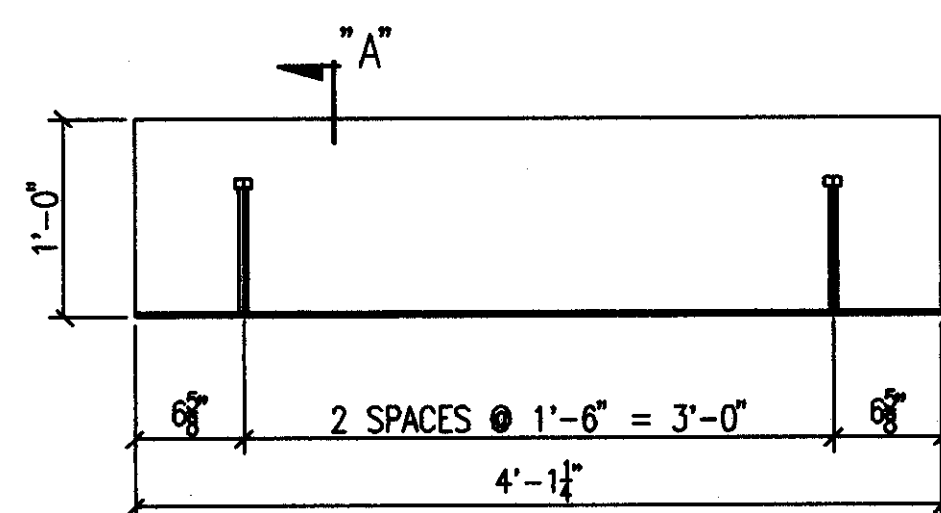


SECTION D

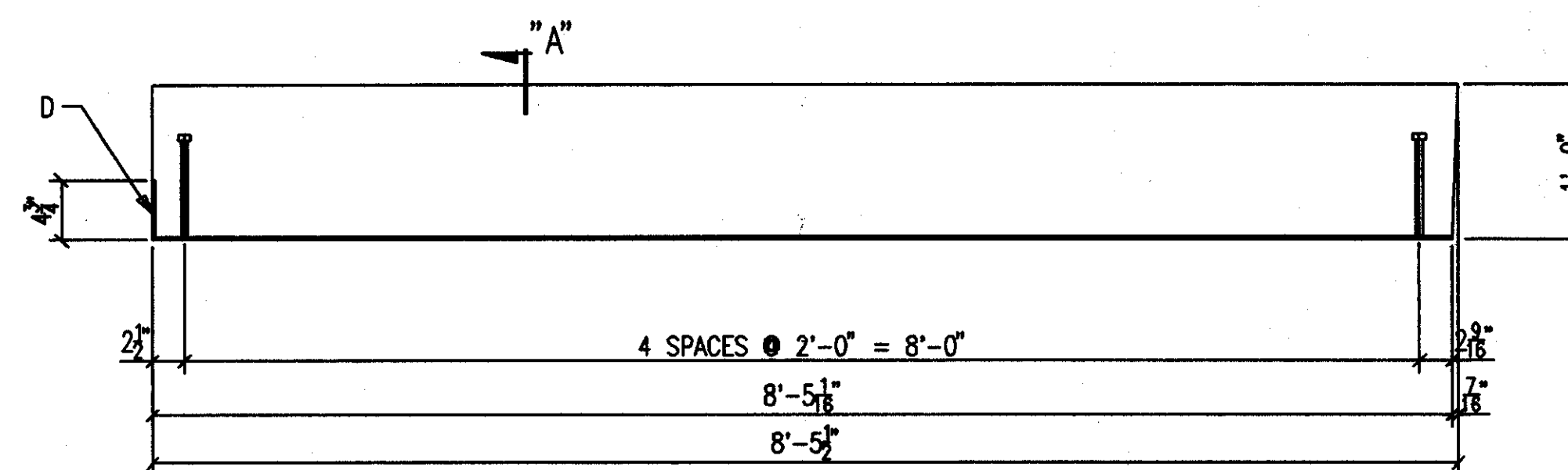
**AS BUILT**  
NAME: *Mop*  
DATE: **AUG 16 1999**

ALL RE-ENTRANT CUTS MIN. 1/2" RAD. U/W	WELD ELECTRODE E70XX	DATE 3/99	CHECKED BY DATE	CONTRACTOR TURNER CONSTRUCTION COMPANY	ENGINEER WALTER P. MOORE
ALL A325 BOLTS w/ONE HARD WASH. AND HYV HEX NUT	SHOP PAINT SEE SPECS	DRAWING TITLE <b>CURB PLATES @ SUITE LEVEL</b>			
<div style="display: flex; justify-content: space-between;"> <div> <p>2044 BUCK LANE LEXINGTON, KENTUCKY 40511 PHONE: 606-233-4344 FAX: 606-233-4346</p> <p><b>MID STATES STEEL PRODUCTS CO.</b> FABRICATORS OF STRUCTURAL AND MISCELLANEOUS STEEL</p> </div> <div style="text-align: right;"> <p>ORDER NO. <b>P3522</b> SHEET NO. <b>378</b></p> </div> </div>					

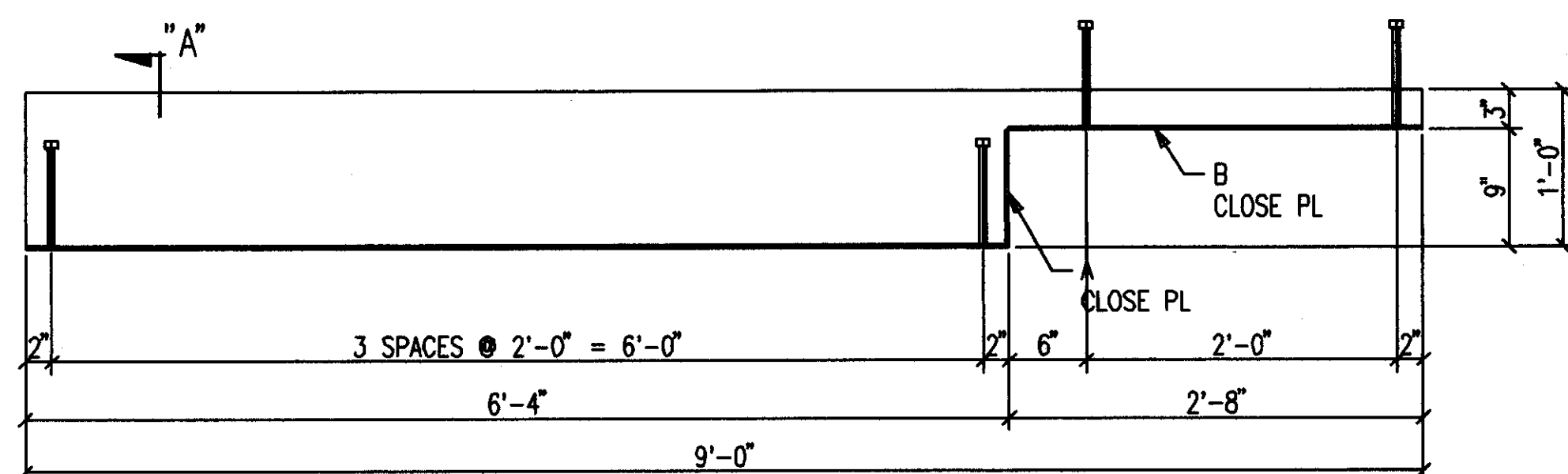




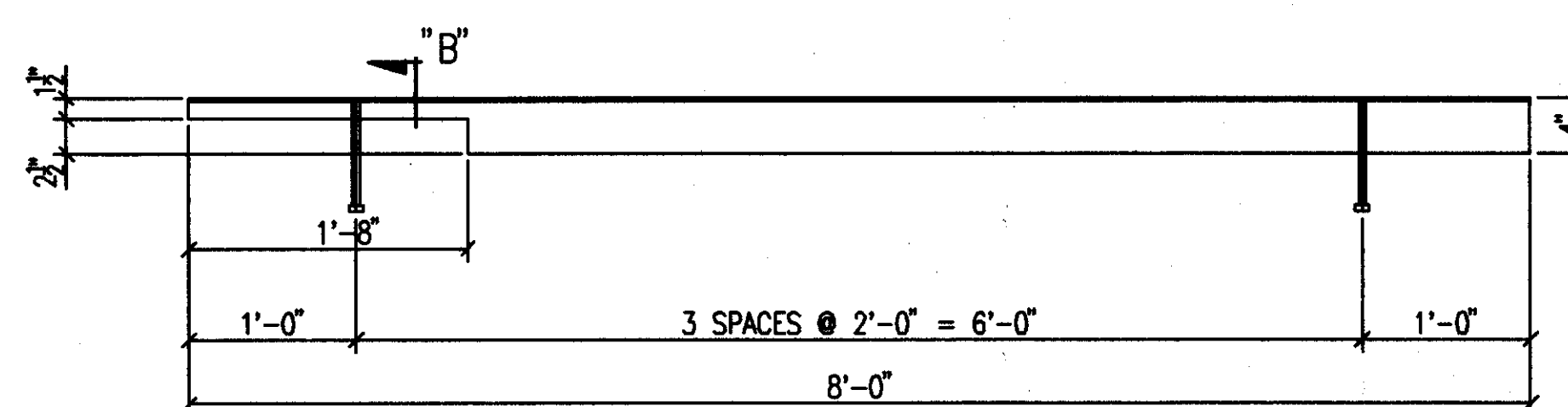
ONE-CURB PLATE 379M1



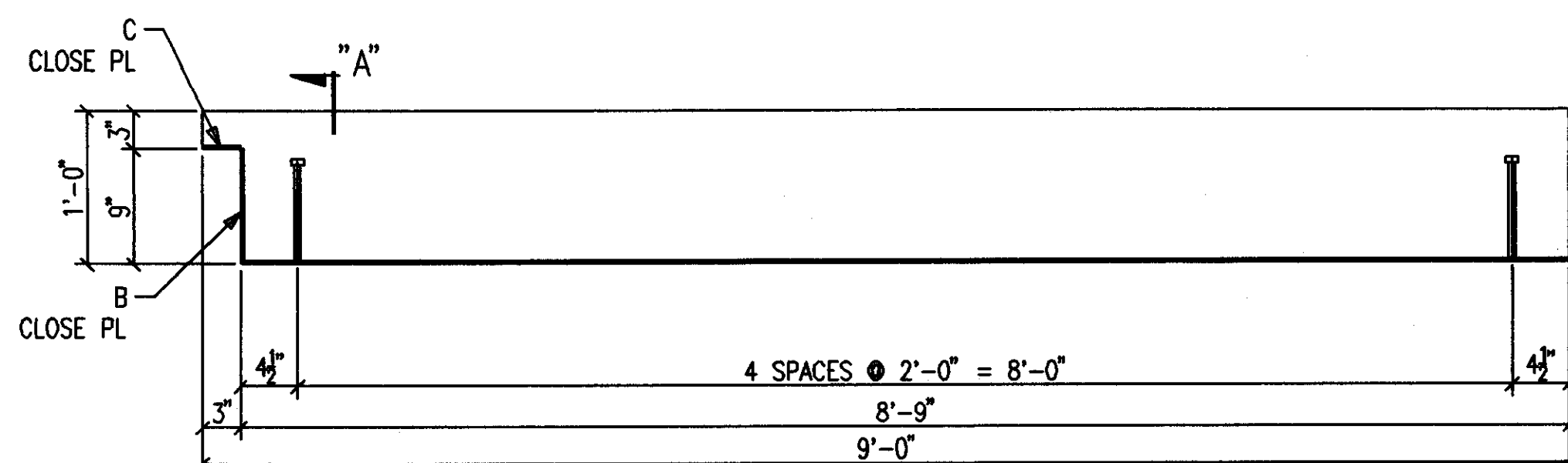
ONE-CURB PLATE 379M5 R [AS SHOWN]  
ONE-CURB PLATE 379M5 L [OPP HAND]



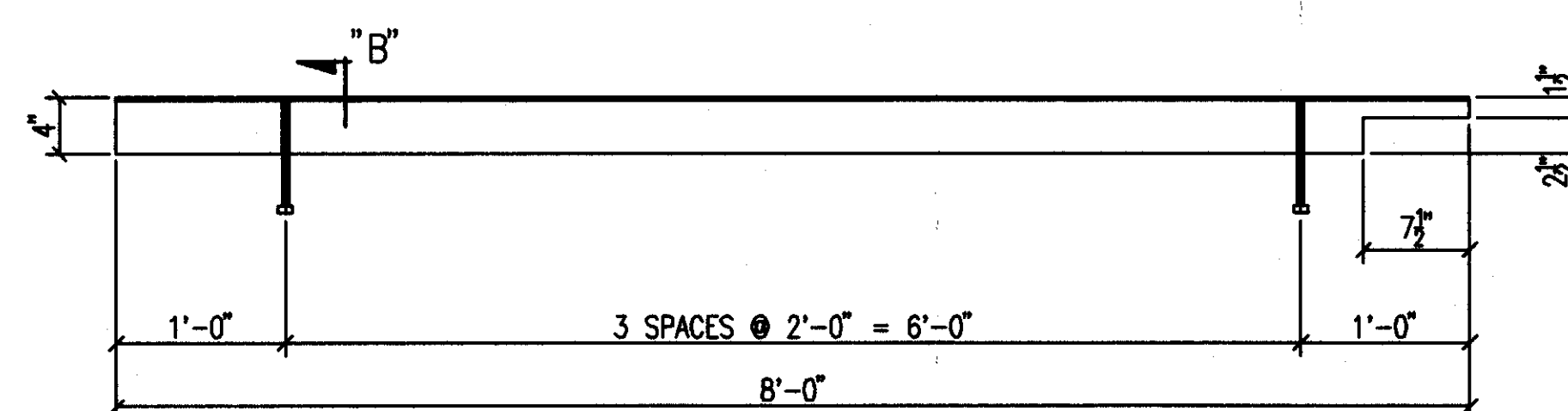
ONE-CURB PLATE 379M2 R [AS SHOWN]  
ONE-CURB PLATE 379M2 L [OPP HAND]



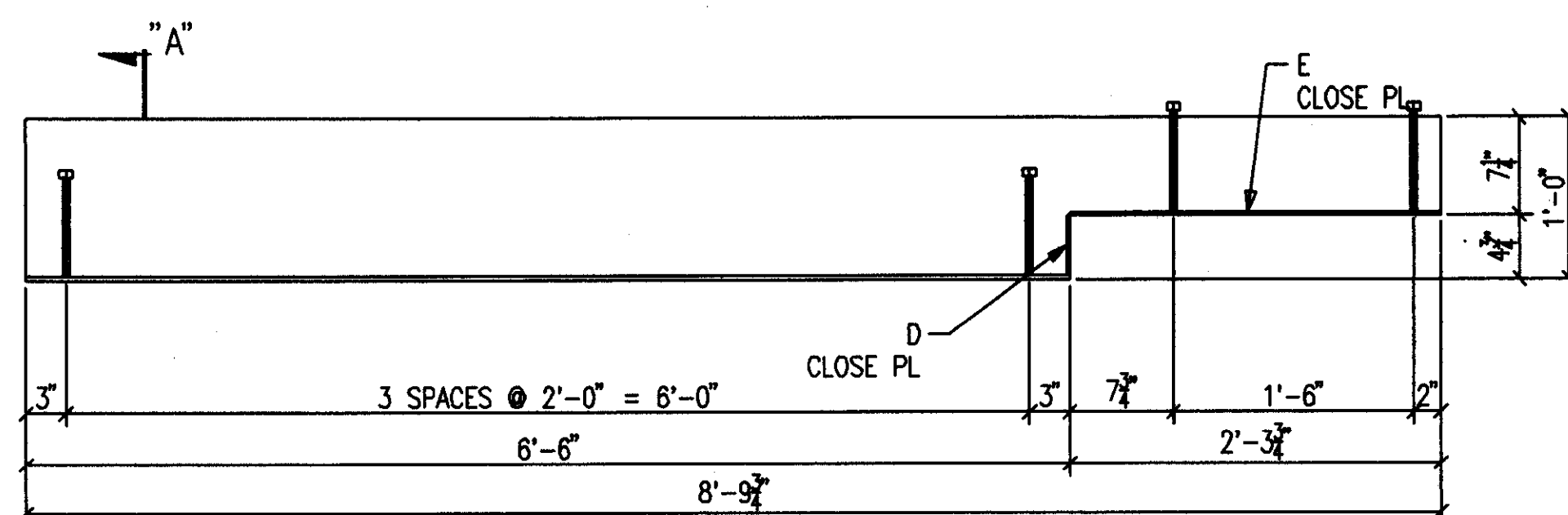
ONE-CURB PLATE 379M6 R [AS SHOWN]  
ONE-CURB PLATE 379M6 L [OPP HAND]



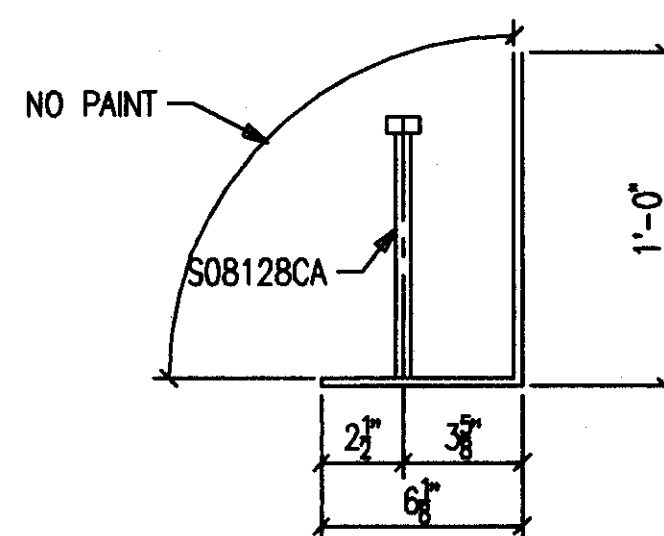
ONE-CURB PLATE 379M3 R [AS SHOWN]  
ONE-CURB PLATE 379M3 L [OPP HAND]



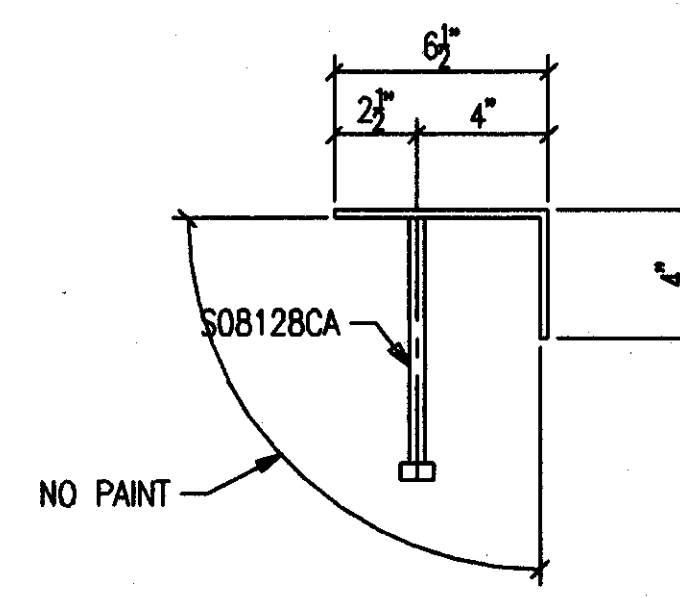
ONE-CURB PLATE 379M7 R [AS SHOWN]  
ONE-CURB PLATE 379M7 L [OPP HAND]



ONE-CURB PLATE 379M4 R [AS SHOWN]  
ONE-CURB PLATE 379M4 L [OPP HAND]



SECTION A



SECTION B

**AS BUILT**  
NAME: *Walter Moore*  
DATE: AUG 16 1999

DATE	APP	SHOP	FIELD

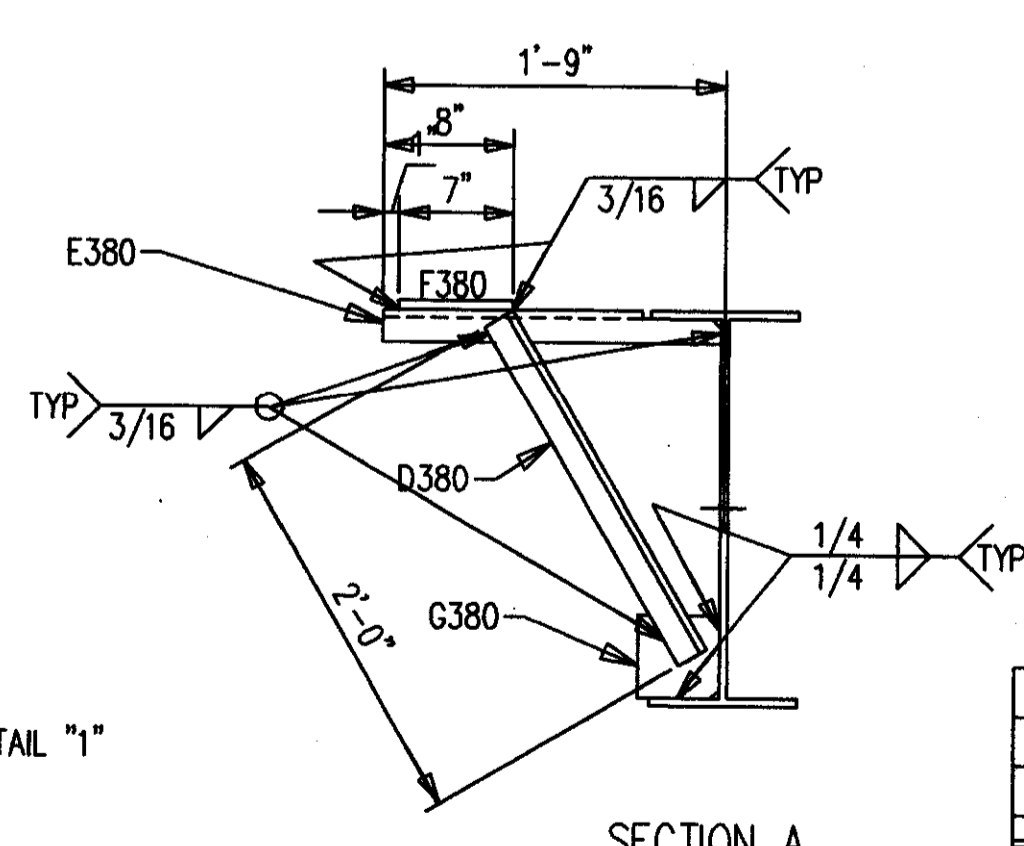
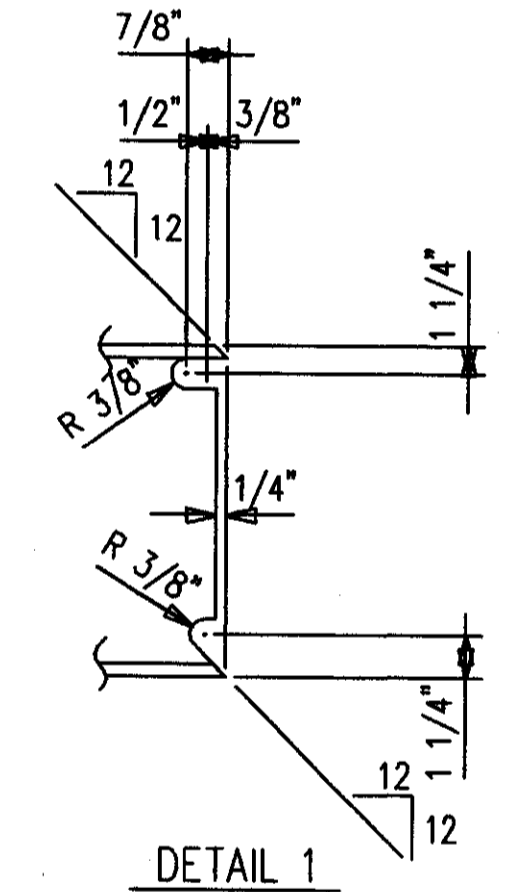
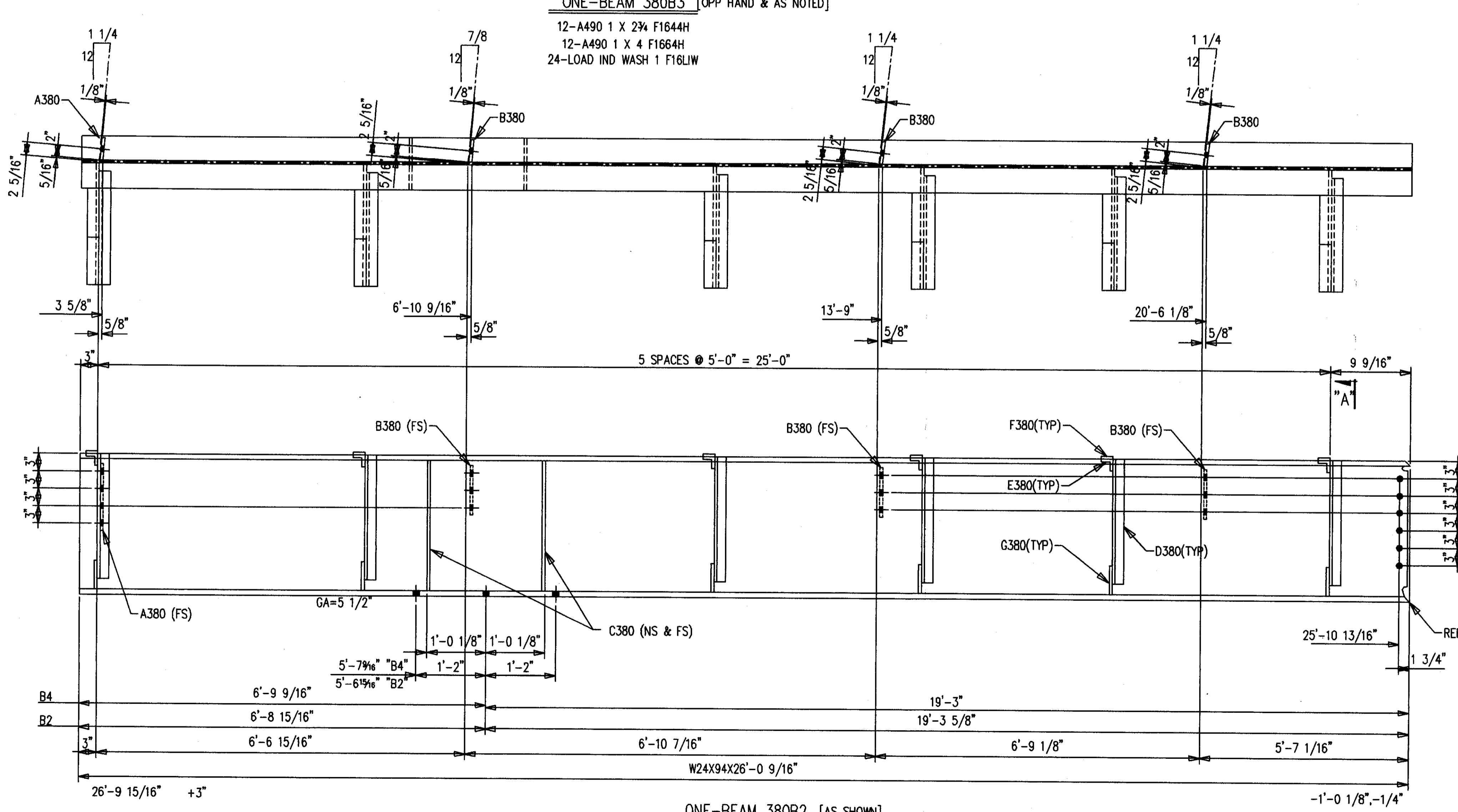
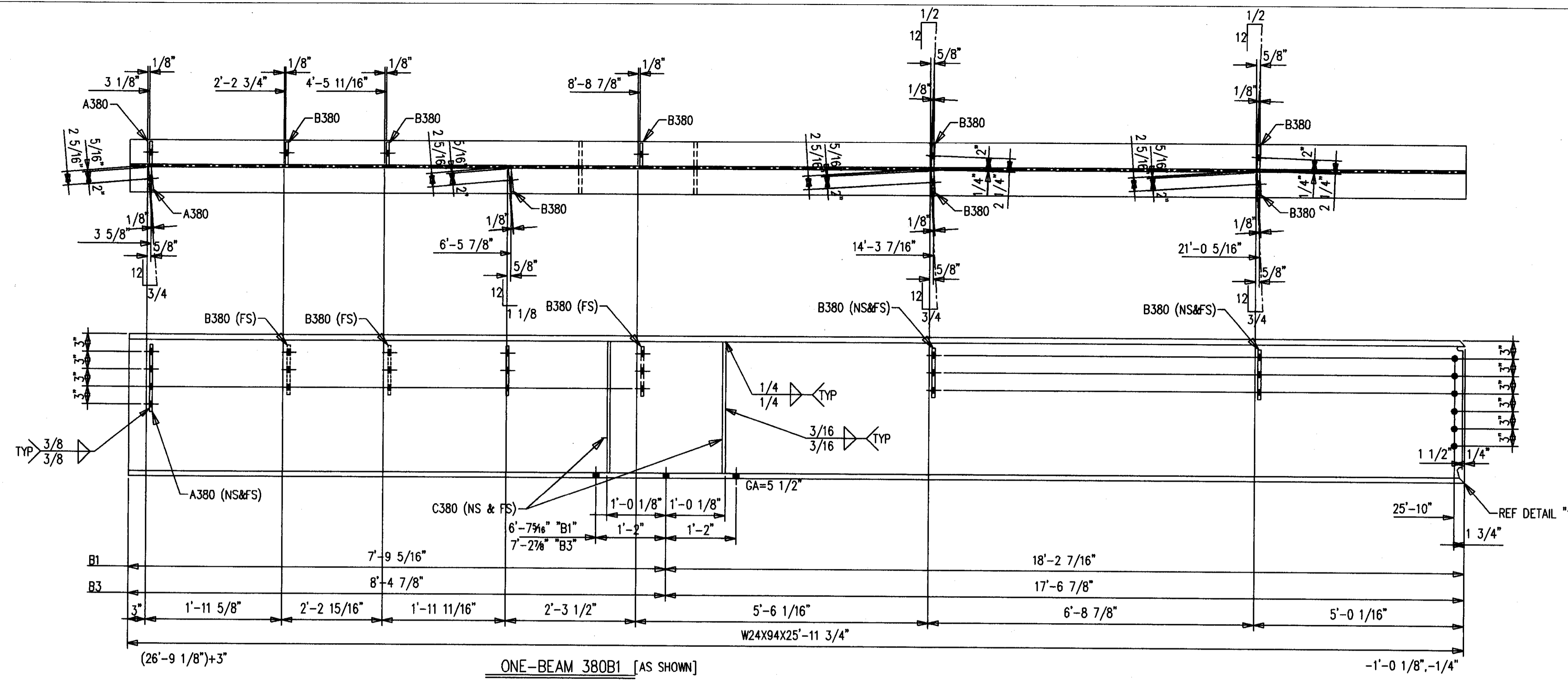
BILL OF MATERIAL						
SHIP MARK SUB MARK	NO. PCS.	DESCRIPTION	LENGTH		CLUST	REMARKS
			FT.	IN.		
379M1	2	CURB PLATES				
379M1	2	PL1/4X17-5/8	4	1-1/4		BENT
SOB128CA	6	A STUD 1/2X8				
379M2 L	ONE	CURB PLATE				
379M2	1	PL1/4X17-5/8	9	0		BENT
A379	1	PL1/4X5-7/8	0	8-3/4		
B379	1	PL1/4X5-7/8	2	8		
SOB128CA	6	A STUD 1/2X8				
379M2 R	ONE	CURB PLATE				
379M2	1	PL1/4X17-5/8	9	0		BENT
A379	1	PL1/4X5-7/8	0	8-3/4		
B379	1	PL1/4X5-7/8	2	8		
SOB128CA	6	A STUD 1/2X8				
379M3 L	ONE	CURB PLATE				
379M3	1	PL1/4X17-5/8	9	0		BENT
B379	1	PL1/4X5-7/8	2	8		
C379	1	FB1/4X3	0	5-7/8		
SOB128CA	5	A STUD 1/2X8				
379M3 R	ONE	CURB PLATE				
379M3	1	PL1/4X17-5/8	9	0		BENT
B379	1	PL1/4X5-7/8	2	8		
C379	1	FB1/4X3	0	5-7/8		
SOB128CA	5	A STUD 1/2X8				
379M4 L	ONE	CURB PLATE				
379M4	1	PL1/4X17-5/8	8	9-3/4		BENT
D379	1	PL1/4X4-3/4	0	5-7/8		
E379	1	PL1/4X5-7/8	2	3-3/4		
SOB128CA	6	A STUD 1/2X8				
379M4 R	ONE	CURB PLATE				
379M4	1	PL1/4X17-5/8	8	9-3/4		BENT
D379	1	PL1/4X4-3/4	0	5-7/8		
E379	1	PL1/4X5-7/8	2	3-3/4		
SOB128CA	6	A STUD 1/2X8				
379M5 L	ONE	CURB PLATE				
379M5	1	PL1/4X17-5/8	8	5-1/2		BENT
SOB128CA	5	A STUD 1/2X8				
379M5 R	ONE	CURB PLATE				
379M5	1	PL1/4X17-5/8	8	5-1/2		BENT
SOB128CA	5	A STUD 1/2X8				
379M6 L	2	CURB PLATES				
379M6	2	PL1/4X10	8	0		BENT
SOB128CA	4	A STUD 1/2X8				
379M6 R	2	CURB PLATES				
379M6	2	PL1/4X10	8	0		BENT
SOB128CA	4	A STUD 1/2X8				
379M7 L	ONE	CURB PLATE				
379M7	1	PL1/4X17-5/8	8	0		BENT
379M7 R	ONE	CURB PLATE				
379M7	1	PL1/4X17-5/8	8	0		BENT

NO.	DATE	REVISION DESCRIPTION	DWN	CHKD
CONTRACTOR TO CHECK ALL DIMENSIONS AT JOB AS MID STATES STEEL PRODUCTS CO. ASSUMES NO RESPONSIBILITY FOR GENERAL BUILDING DIMENSIONS. NO BACK CHARGES PERTAINING TO THIS WORK WILL BE ACCEPTED WITHOUT PRIOR AUTHORIZATION BY MID STATES STEEL PRODUCTS CO.				
MATERIAL U/A	A36	DRAWN BY U/A	SC	JOB NAME COMMONWEALTH STADIUM EXPANSION
OPEN HOLES U/A	13/16" Ø	DATE	3/99	JOB LOCATION UNIVERSITY OF KENTUCKY
WELD ELECTRODE U/A	E70XX	CHECKED BY	CONTRACTOR	TURNER CONSTRUCTION COMPANY
SHOP PAINT U/A	SEE SPECS	DATE		ENGINEER WALTER P. MOORE
DRAWING TITLE CURB PLATES @ SUITE LEVEL				
MID STATES STEEL PRODUCTS CO. 2044 BUCK LANE LEXINGTON, KENTUCKY 40511 PHONE: 606-233-4344 FAX: 606-233-4346				ORDER NO. P3522
FABRICATORS OF STRUCTURAL AND MISCELLANEOUS STEEL				SHEET NO. 379

Cab # 206 C-1  
 Sheet 379  
 Document # 34755

**BILL OF MATERIAL**

SHIP MARK SUB MARK	QTY	DESCRIPTION	LENGTH		REMARKS
			FT.	IN.	
<b>380B1</b>					
	ONE	BEAM			
380B1	1	W24X94 A572	25	11-3/4	P
A380	2	FBI/2X4	1	0	P
B380	8	FBI/2X4	0	9	P
C380	4	PL1/2X4-1/4	1	10-1/2	STIFF
<b>380B2</b>					
	ONE	BEAM			
380B2	1	W24X94 A572	26	0-9/16	P
A380	1	FBI/2X4	1	0	P
B380	3	FBI/2X4	0	9	P
C380	4	PL1/2X4-1/4	1	10-1/2	STIFF
D380	6	L2X2X3/16	2	0	
E380	6	L2X2X3/16	1	8-3/4	CTF
F380	6	FBI/2X4	0	7	
G380	6	FBI/2X4	0	5	
<b>380B3</b>					
	ONE	BEAM			
380B3	1	W24X94 A572	25	11-3/4	P
A380	2	FBI/2X4	1	0	P
B380	8	FBI/2X4	0	9	P
C380	4	PL1/2X4-1/4	1	10-1/2	STIFF
<b>380B4</b>					
	ONE	BEAM			
380B4	1	W24X94 A572	26	0-9/16	P
A380	1	FBI/2X4	1	0	P
B380	3	FBI/2X4	0	9	P
C380	4	PL1/2X4-1/4	1	10-1/2	STIFF
D380	6	L2X2X3/16	2	0	
E380	6	L2X2X3/16	1	8-3/4	CTF
F380	6	FBI/2X4	0	7	
G380	6	FBI/2X4	0	5	
<b>FIELD BOLTS</b>					
F1644H	25	A490 1X2-3/4			
F1664H	25	A490 1X4			
F16LIW	49	A LOAD IND 1			



**AS BUILT**  
 NAME: *Map Hughes*  
 DATE: **AUG 16 1999**

NO.	DATE	REVISION DESCRIPTION	BY	CHKD

CONTRACTOR TO CHECK ALL DIMENSIONS AT JOB AS MID STATES STEEL PRODUCTS CO. ASSUMES NO RESPONSIBILITY FOR GENERAL BUILDING DIMENSIONS. NO BACK CHARGES PERTAINING TO THIS WORK WILL BE ACCEPTED WITHOUT PRIOR AUTHORIZATION BY MID STATES STEEL PRODUCTS CO.

MATERIAL U/N	A36	DRAWN BY	KMP	JOB NAME	COMMONWEALTH STADIUM EXPANSION
OPEN HOLES U/N	1 1/2" Ø	DATE	3-99	JOB LOCATION	UNIVERSITY OF KENTUCKY
WELD ELECTRODE U/N	E70XX	CHECKED BY	GCL	CONTRACTOR	TURNER CONSTRUCTION COMPANY
SHOP PAINT	SEE SPECS	DATE	3-99	ENGINEER	WALTER P. MOORE

ALL RE-ENTRANT CUTS MIN. 1/2" RAD. U/N  
 ALL A325 BOLTS w/ONE HARD WASH. AND HVY HEX NUT  
 ALL A307 BOLTS w/HEX NUT

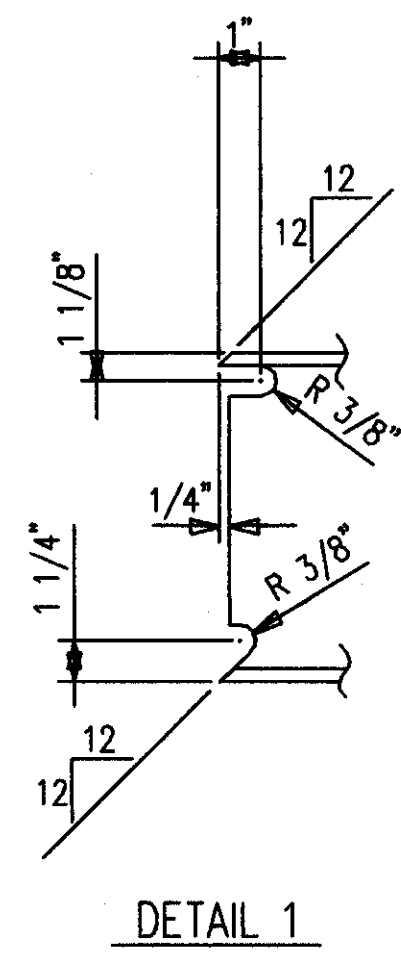
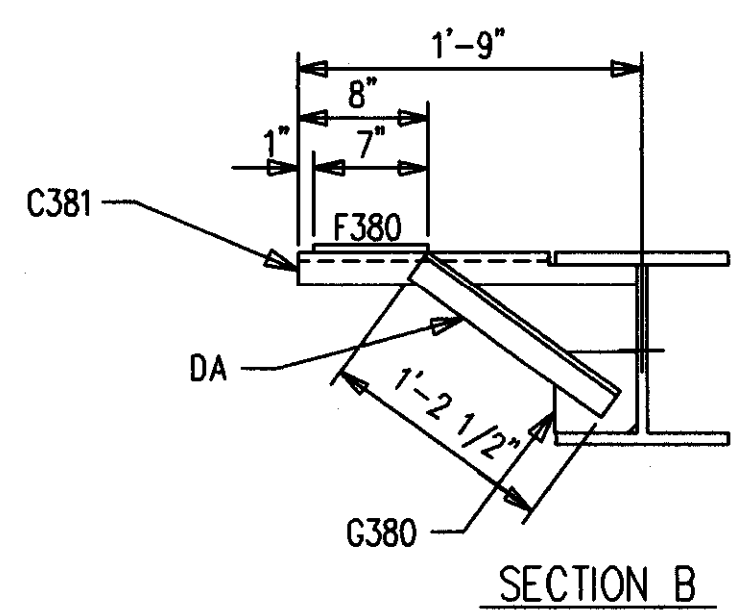
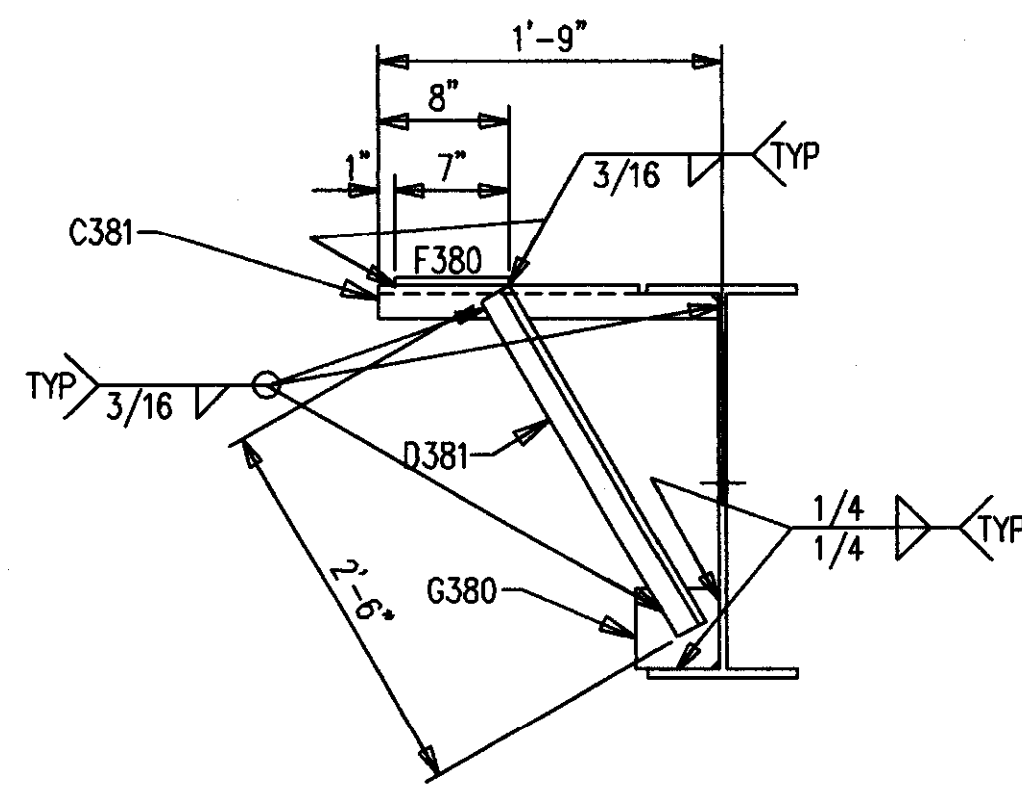
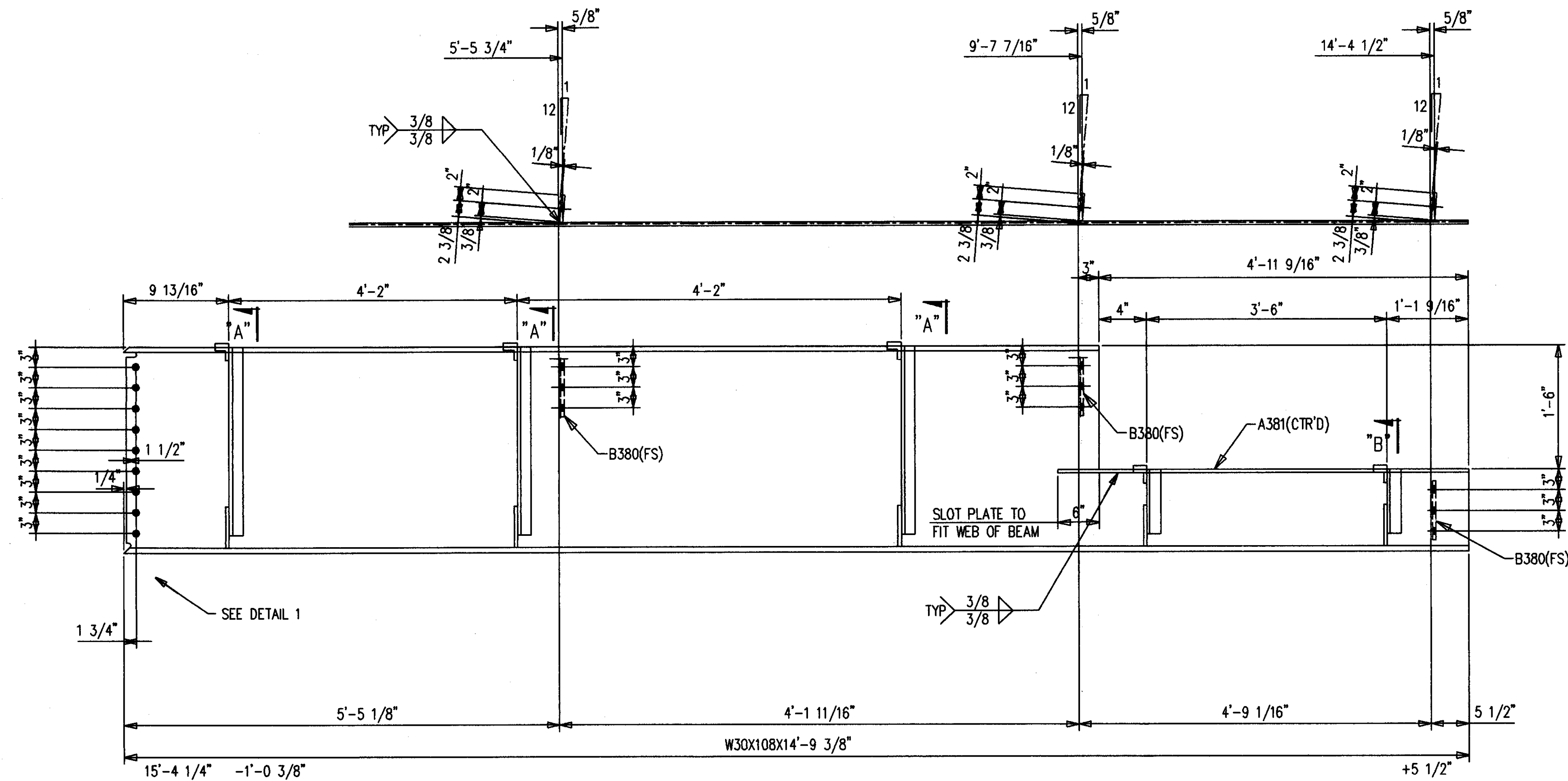
DATE	APP	SHOP	FIELD

**MID STATES STEEL PRODUCTS CO.**  
 FABRICATORS OF STRUCTURAL AND MISCELLANEOUS STEEL

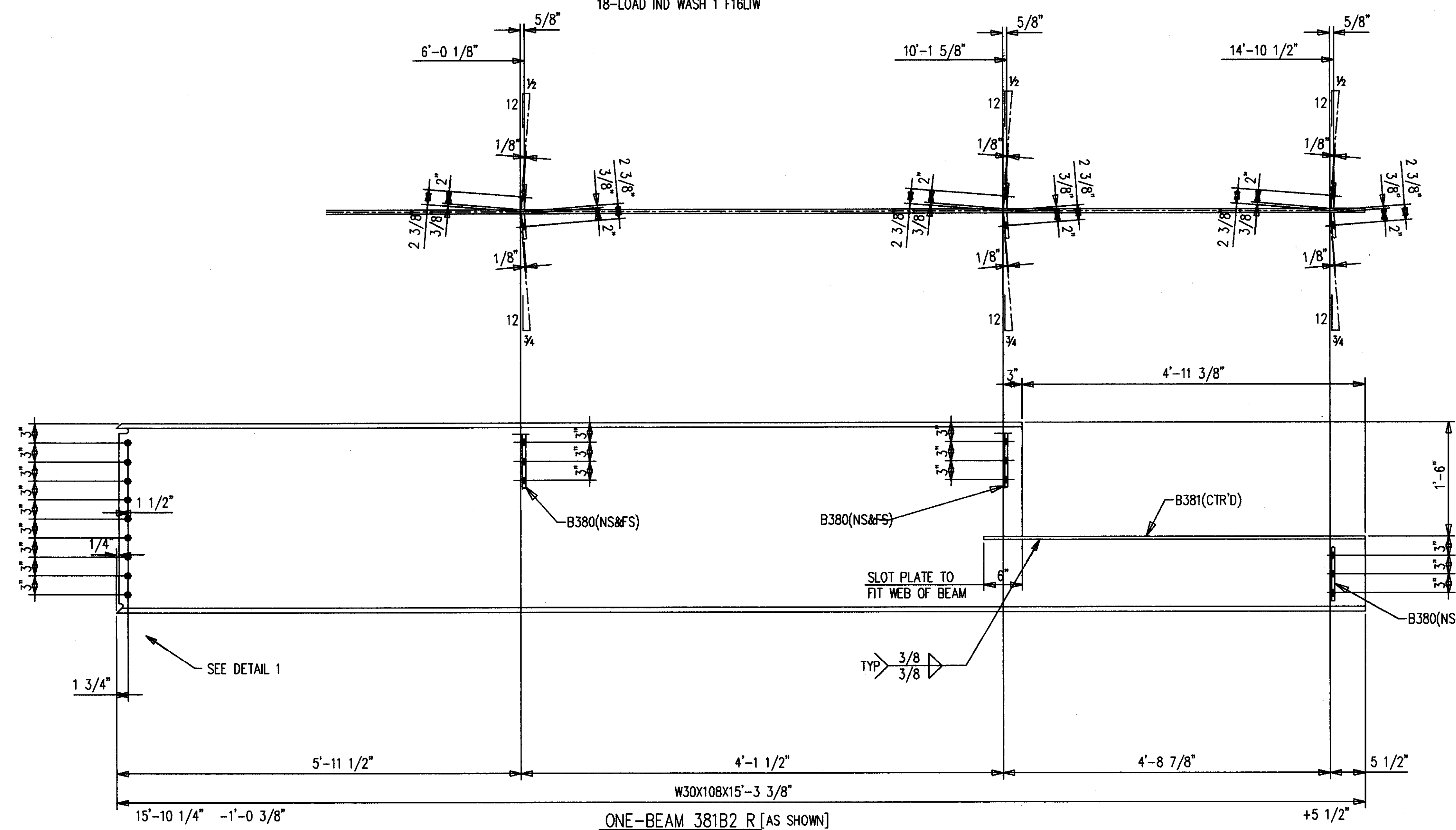
P.O. BOX 11128-2044 BUCK LANE  
 LEXINGTON, KENTUCKY 40511  
 PHONE: 606-233-4344 FAX: 606-233-4346

ORDER NO. **P3524**  
 SHEET NO. **380**

Doc # 3102  
 Cab # 206  
 Sheet C-1  
 34756



ONE-BEAM 381B1 R [AS SHOWN]  
 ONE-BEAM 381B1 L [OPP HAND]  
 18-A490 1 X 2 3/4 F1644H  
 18-LOAD IND WASH 1 F16LIW



ONE-BEAM 381B2 R [AS SHOWN]  
 ONE-BEAM 381B2 L [OPP HAND]  
 18-A490 1 X 2 3/4 F1644H  
 18-LOAD IND WASH 1 F16LIW

BILL OF MATERIAL

SHIP MARK SUB MARK	NO. PCS.	DESCRIPTION	LENGTH		CL U/S TYP	REMARKS
			FT.	IN.		
381B1 L	ONE	BEAM				
381B1	1	W30X108 A572	14	9-3/8		P
A381	1	PL3/4X10-1/2	5	5-9/16		
B380	3	FBI/2X4	0	9		P
C381	5	L2X2X3/16	1	8-11/16		CTF
D381	3	L2X2X3/16	2	6		
F380	5	FBI/2X4	0	7		
G380	5	FBI/2X4	0	5		
DA381	2	L2X2X3/16	1	2-1/2		
381B1 R	ONE	BEAM				
381B1	1	W30X108 A572	14	9-3/8		P
A381	1	PL3/4X10-1/2	5	5-9/16		
B380	3	FBI/2X4	0	9		P
C381	5	L2X2X3/16	1	8-11/16		CTF
D381	3	L2X2X3/16	2	6		
F380	5	FBI/2X4	0	7		
G380	5	FBI/2X4	0	5		
DA381	2	L2X2X3/16	1	2-1/2		
381B2 L	ONE	BEAM				
381B2	1	W30X108 A572	15	3-3/8		P
B380	6	FBI/2X4	0	9		P
B381	1	PL3/4X10-1/2	5	5-3/8		
381B2 R	ONE	BEAM				
381B2	1	W30X108 A572	15	3-3/8		P
B380	6	FBI/2X4	0	9		P
B381	1	PL3/4X10-1/2	5	5-3/8		
		FIELD BOLTS				
F1644H	37	A490 1X2-3/4				
F16LIW	37	A LOAD IND 1				

AS BUILT  
 NAME: *Map Hughes*  
 DATE: AUG 16 1999

ALL RE-ENTRANT CUTS MIN. 1/2" RAD. U/N	WELD ELECTRODE E70XX	CHECKED BY GCL	CONTRACTOR TURNER CONSTRUCTION COMPANY
ALL A325 BOLTS w/ONE HARD WASH. AND HYV HEX NUT	SHOP PAINT SEE SPECS	DATE 3-99	ENGINEER WALTER P. MOORE
ALL A307 BOLTS w/HEX NUT	DRAWING TITLE BEAMS		

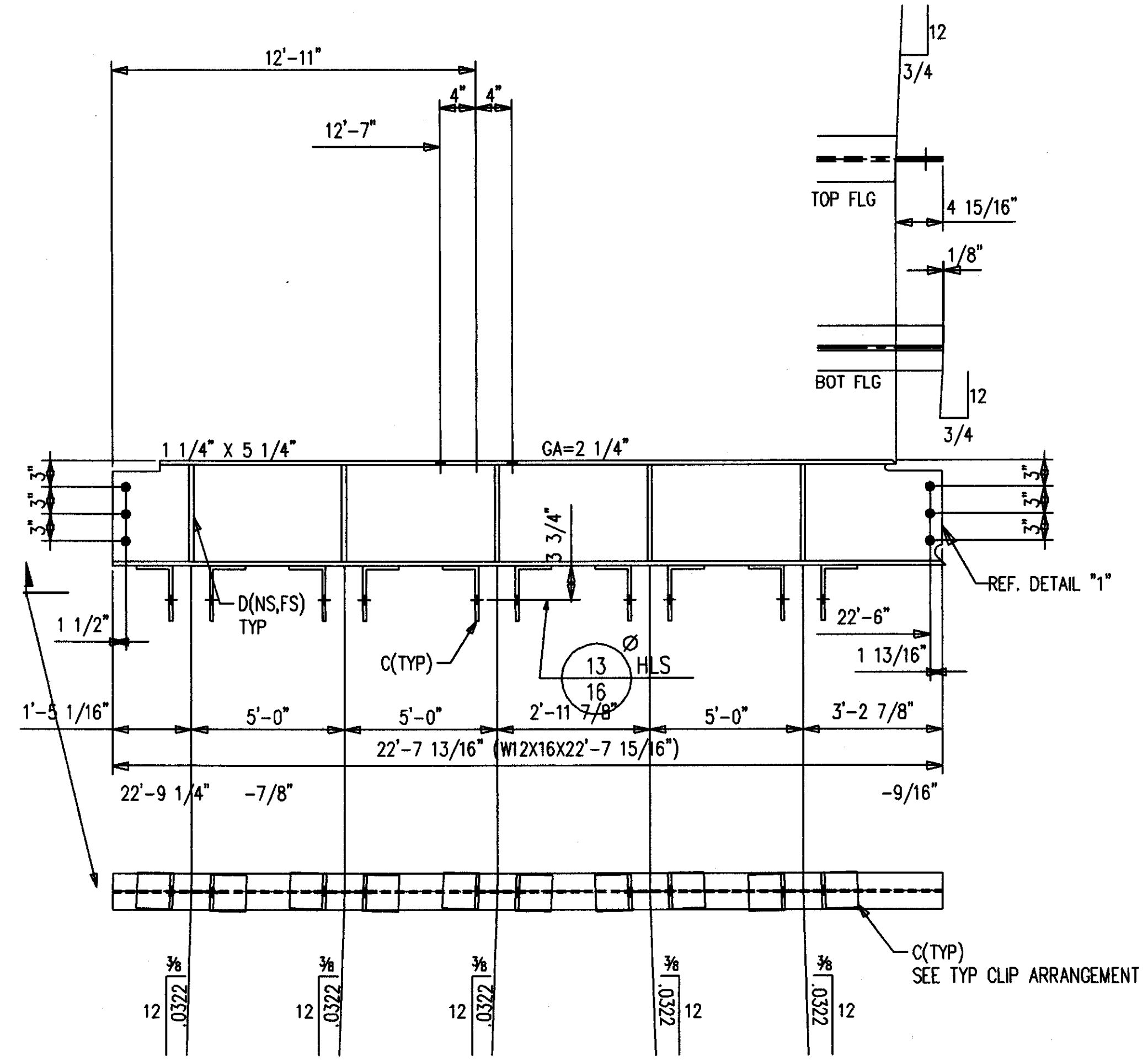
MID STATES STEEL PRODUCTS CO.  
 FABRICATORS OF STRUCTURAL AND MISCELLANEOUS STEEL

P.O. BOX 11128-2044 BUCK LANE  
 LEXINGTON, KENTUCKY 40511  
 PHONE: 606-233-4344 FAX: 606-233-4346

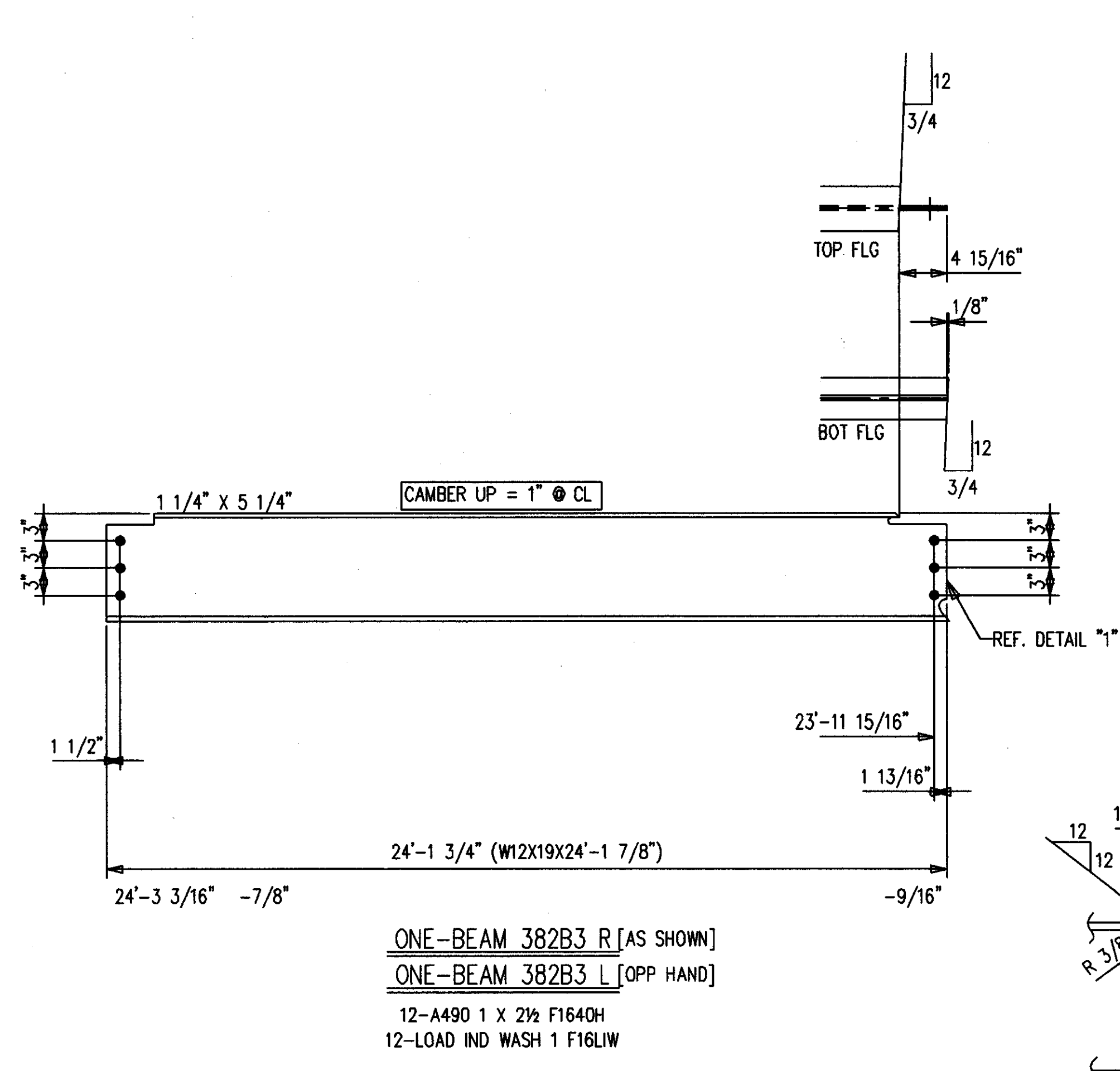
ORDER NO.  
**P3524**  
 SHEET NO.  
**381**

BILL OF MATERIAL

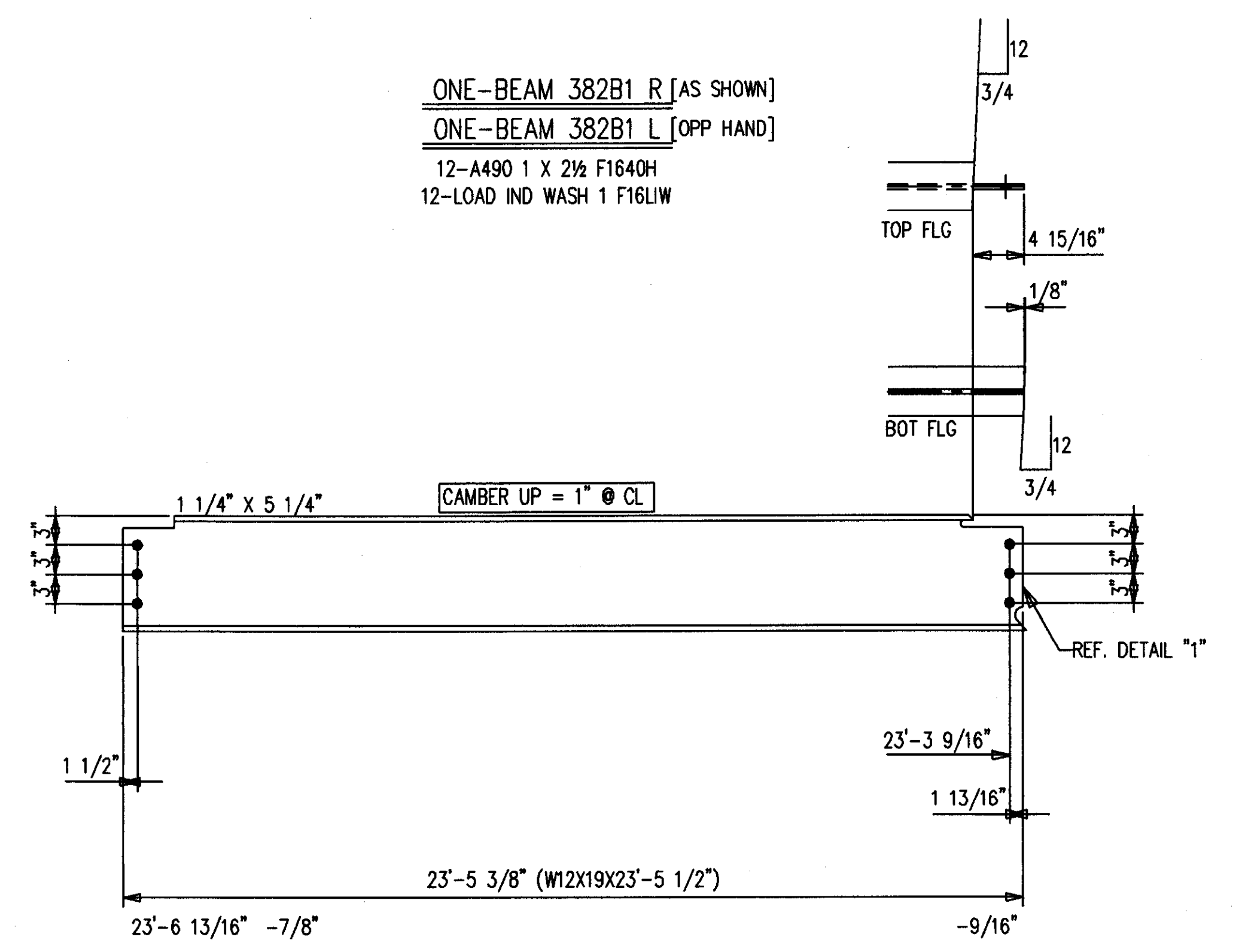
SHIP MARK SUB MARK	QTY PCS	DESCRIPTION	LENGTH		REMARKS
			FT.	IN.	
382B1 L	ONE	BEAM			
382B1	1	W12X16 A572	22	7-15/16	P/BC1E
C382	10	L6X4X5/16	0	4	P
D382	10	PL5/16X1-7/8	0	11-1/2	STIFF
382B1 R	ONE	BEAM			
382B1	1	W12X16 A572	22	7-15/16	P/BC1E
C382	10	L6X4X5/16	0	4	P
D382	10	PL5/16X1-7/8	0	11-1/2	STIFF
382B2 L	ONE	BEAM			
382B2	1	W12X19 A572	23	5-1/2	P/BC1E
382B2 R	ONE	BEAM			
382B2	1	W12X19 A572	23	5-1/2	P/BC1E
382B3 L	ONE	BEAM			
382B3	1	W12X19 A572	24	1-7/8	P/BC1E
382B3 R	ONE	BEAM			
382B3	1	W12X19 A572	24	1-7/8	P/BC1E
382B4 L	ONE	BEAM			
382B4	1	W12X19 A572	26	4-3/8	P/BC1E
382B4 R	ONE	BEAM			
382B4	1	W12X19 A572	26	4-3/8	P/BC1E
		FIELD BOLTS			
F1640H	49	A490 1X2-1/2			
F1641W	49	A LOAD IND 1			



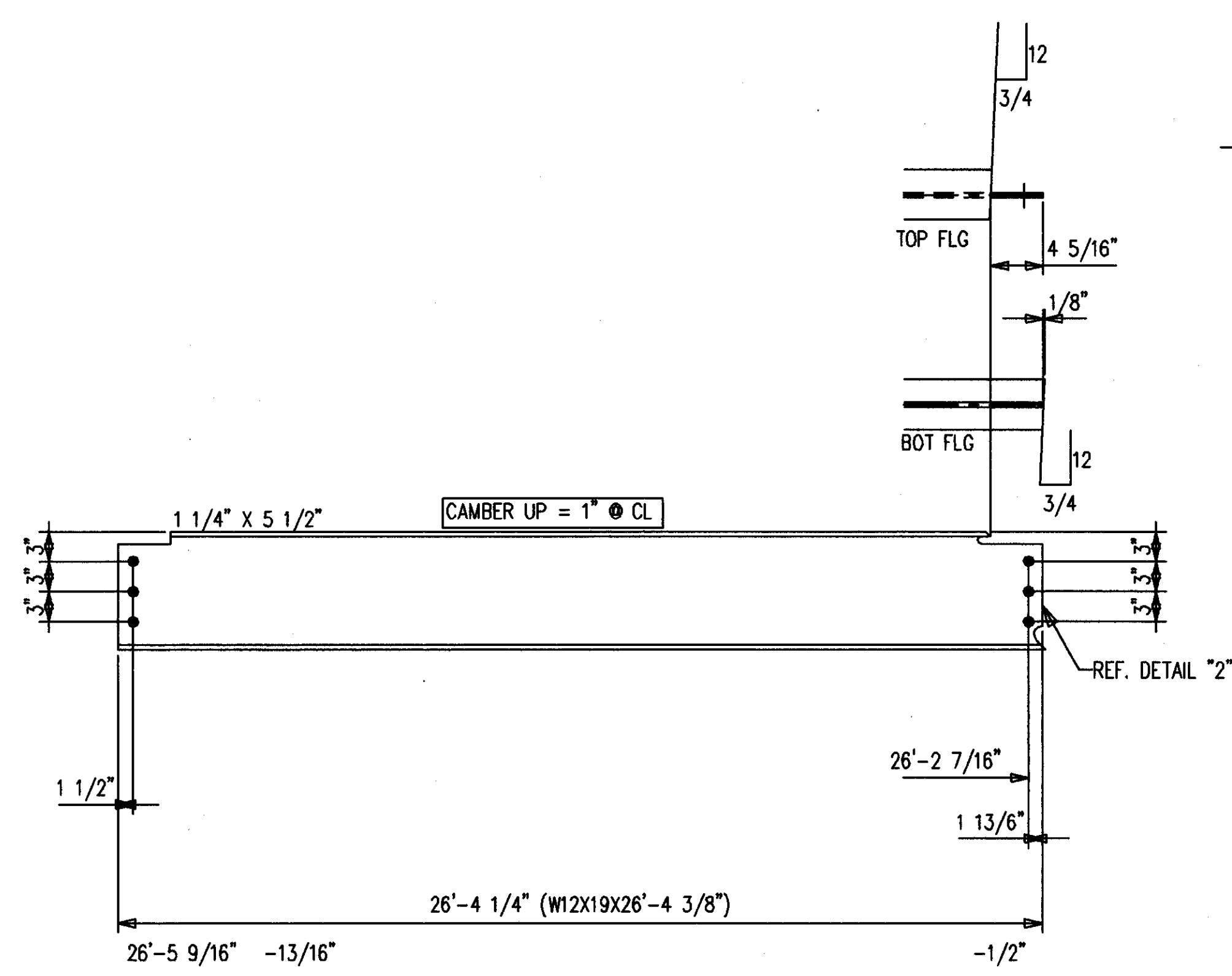
ONE-BEAM 382B1 R [AS SHOWN]  
ONE-BEAM 382B1 L [OPP HAND]  
12-A490 1 X 2 1/2 F1640H  
12-LOAD IND WASH 1 F1641W



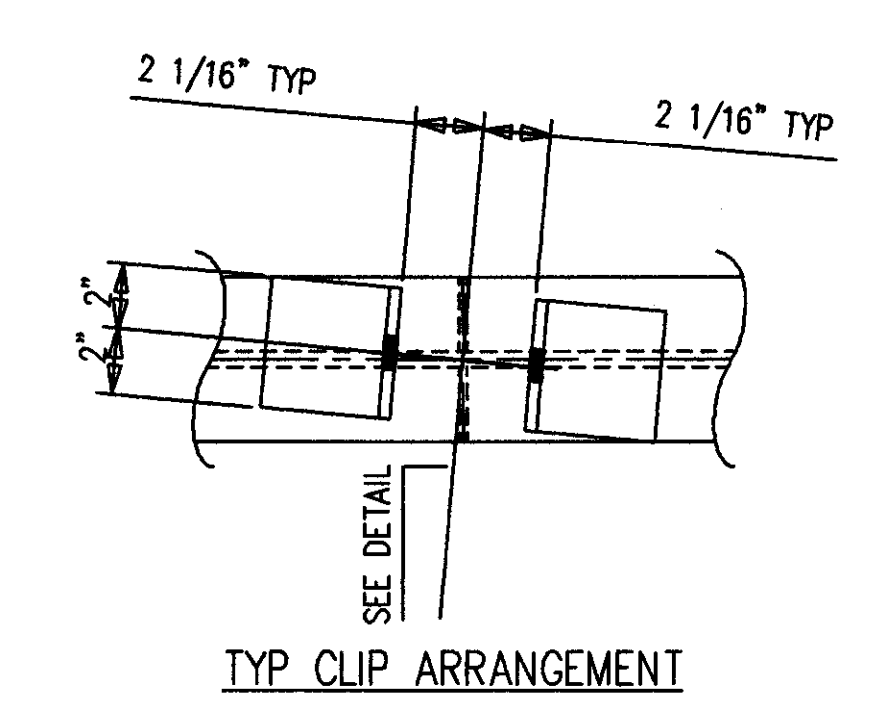
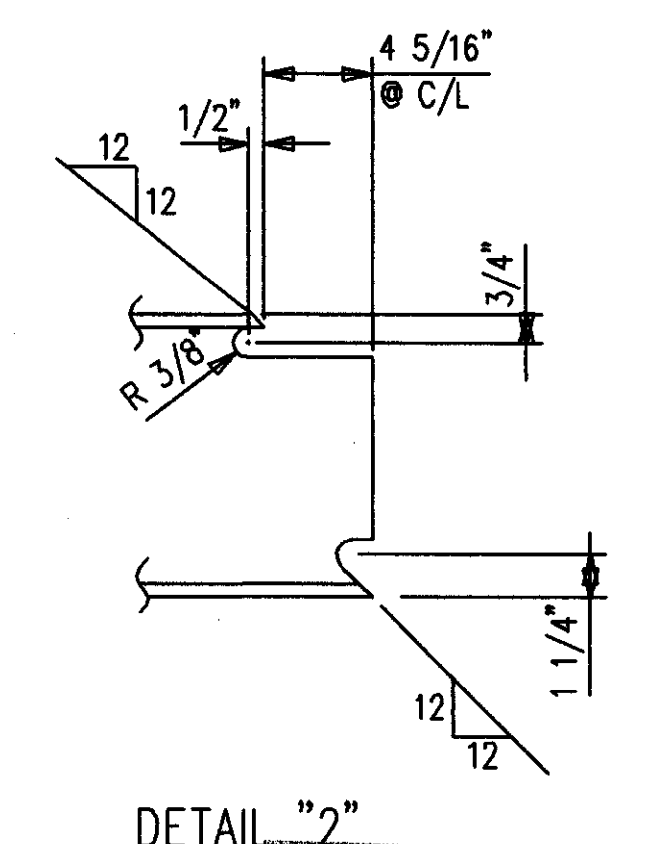
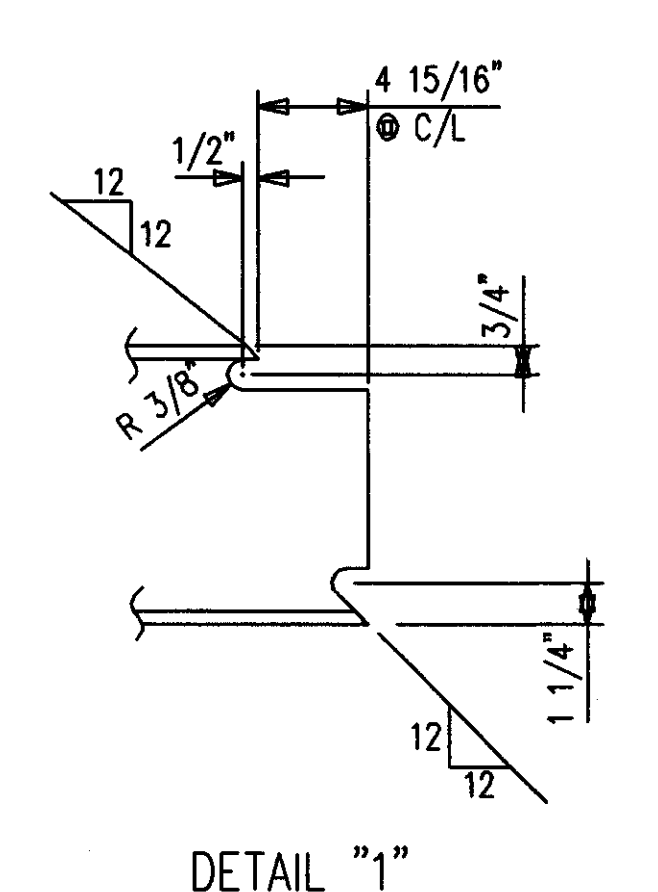
ONE-BEAM 382B3 R [AS SHOWN]  
ONE-BEAM 382B3 L [OPP HAND]  
12-A490 1 X 2 1/2 F1640H  
12-LOAD IND WASH 1 F1641W



ONE-BEAM 382B2 R [AS SHOWN]  
ONE-BEAM 382B2 L [OPP HAND]  
12-A490 1 X 2 1/2 F1640H  
12-LOAD IND WASH 1 F1641W



ONE-BEAM 382B4 R [AS SHOWN]  
ONE-BEAM 382B4 L [OPP HAND]  
12-A490 1 X 2 1/2 F1640H  
12-LOAD IND WASH 1 F1641W

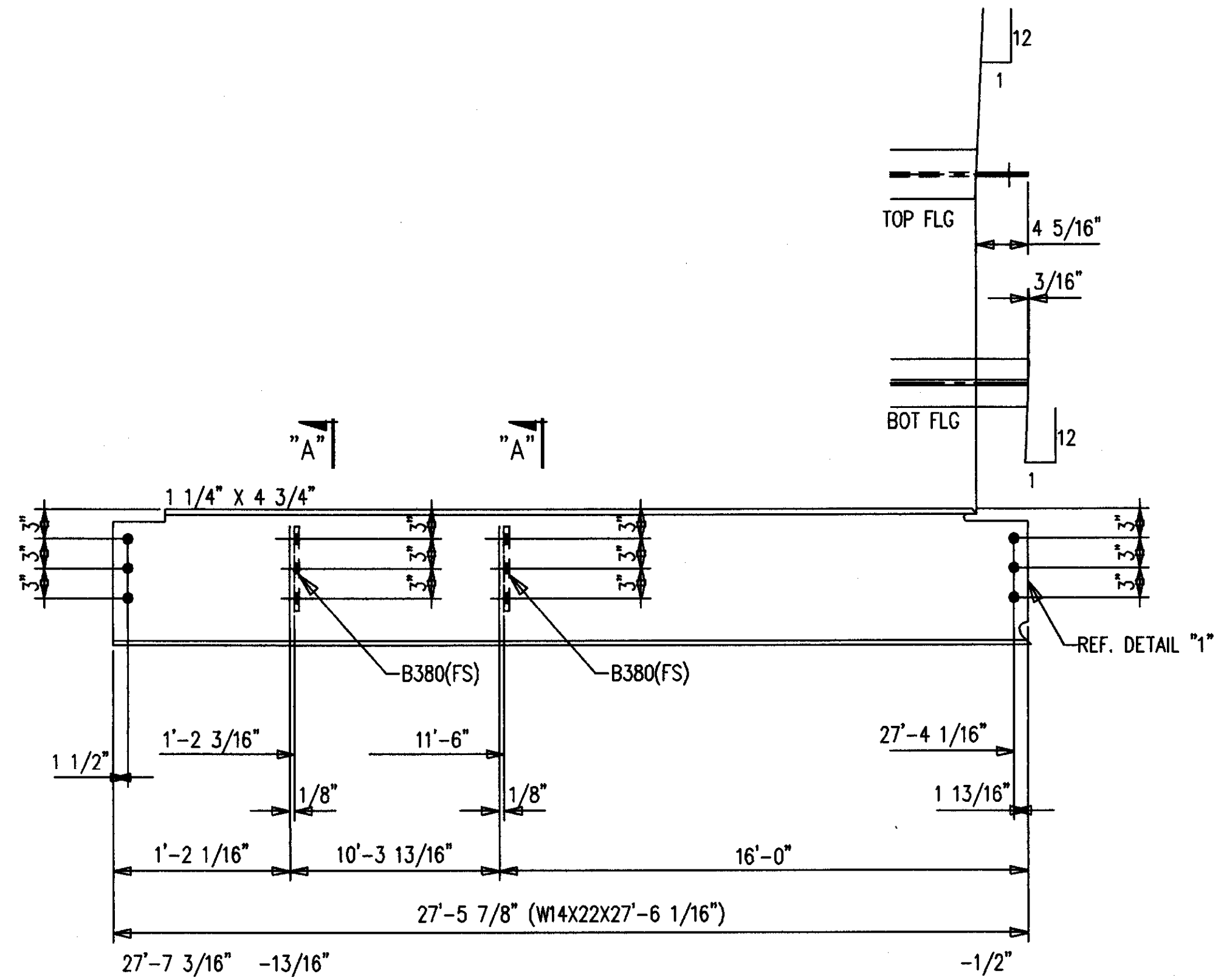


AS BUILT  
NAME: *Mya Hughes*  
DATE: AUG 16 1999

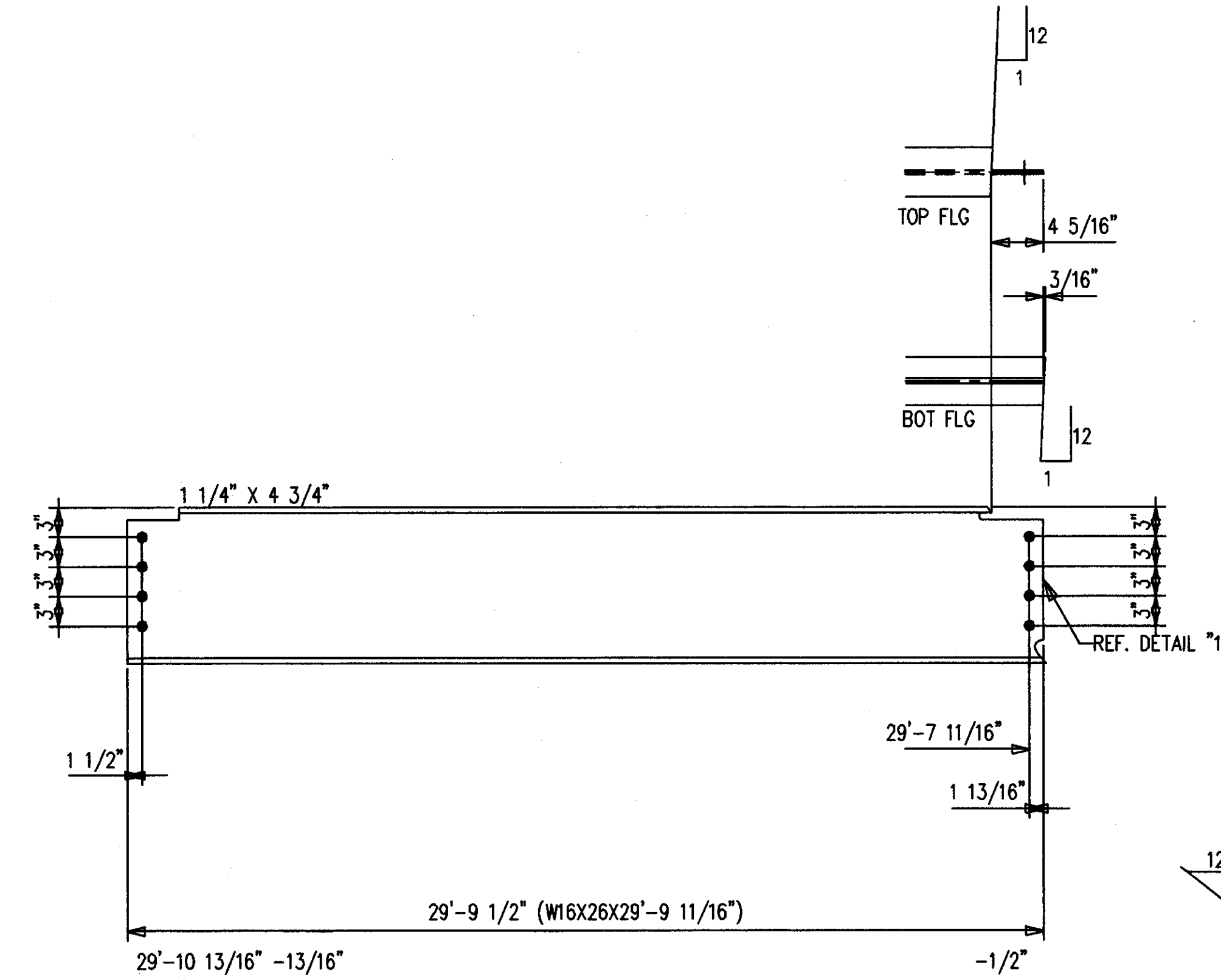
ALL RE-ENTRANT CUTS MIN. 1/2" RAD. U/N				WELD ELECTRODE E70XX		CHECKED BY GCL		DATE 3-99		CONTRACTOR TURNER CONSTRUCTION COMPANY		ENGINEER WALTER P. MOORE	
ALL A325 BOLTS W/ONE HARD WASH. AND HVY HEX NUT				SHOP PAINT SEE SPECS		DATE 3-99		CONTRACTOR TURNER CONSTRUCTION COMPANY		ENGINEER WALTER P. MOORE		DRAWING TITLE BEAMS	
ALL A307 BOLTS w/HEX NUT				DATE		APP		SHOP		FIELD		ORDER NO. P3524	
MID STATES STEEL PRODUCTS CO.				P.O. BOX 11128-2044 BUCK LANE LEXINGTON, KENTUCKY 40511 PHONE: 606-233-4344 FAX: 606-233-4346				SHEET NO. 382					

BILL OF MATERIAL

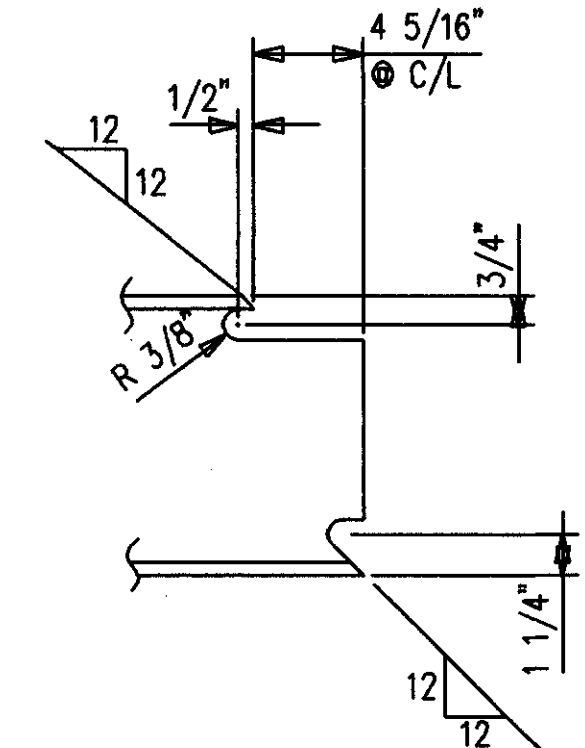
SHIP MARK SUB MARK	NO. PCS.	DESCRIPTION	LENGTH		CL LIST	REMARKS
			FT.	IN.		
383B1 L	ONE	BEAM				
383B1	1	W14X22 A572	27	6-1/16"		P/BC1E
B380	2	FB1/2X4	0	9"		P
383B1 R	ONE	BEAM				
383B1	1	W14X22 A572	27	6-1/16"		P/BC1E
B380	2	FB1/2X4	0	9"		P
383B2 L	ONE	BEAM				
383B2	1	W14X61 A572	28	8-5/16"		P
B380	2	FB1/2X4	0	9"		P
383B2 R	ONE	BEAM				
383B2	1	W14X61 A572	28	8-5/16"		P
B380	2	FB1/2X4	0	9"		P
383B3 L	ONE	BEAM				
383B3	1	W16X26 A572	29	9-11/16"		P/BC1E
383B3 R	ONE	BEAM				
383B3	1	W16X26 A572	29	9-11/16"		P/BC1E
383B4 L	ONE	BEAM				
383B4	1	W18X35 A572	25	3-1/2"		P/BC1E
383B4 R	ONE	BEAM				
383B4	1	W18X35 A572	25	3-1/2"		P/BC1E
		FIELD BOLTS				
F1640H	53	A490 1X2-1/2				
F16L1W	53	A LOAD IND 1				



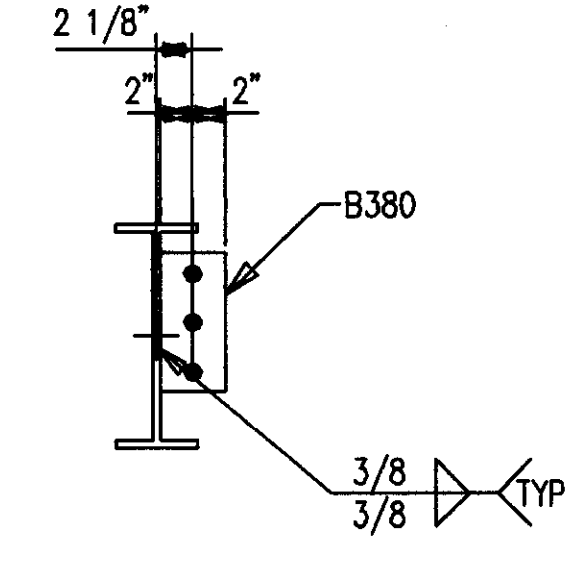
ONE-BEAM 383B1 R [AS SHOWN]  
ONE-BEAM 383B1 L [OPP HAND]  
12-A490 1 X 2 1/2 F1640H  
12-LOAD IND WASH 1 F16L1W



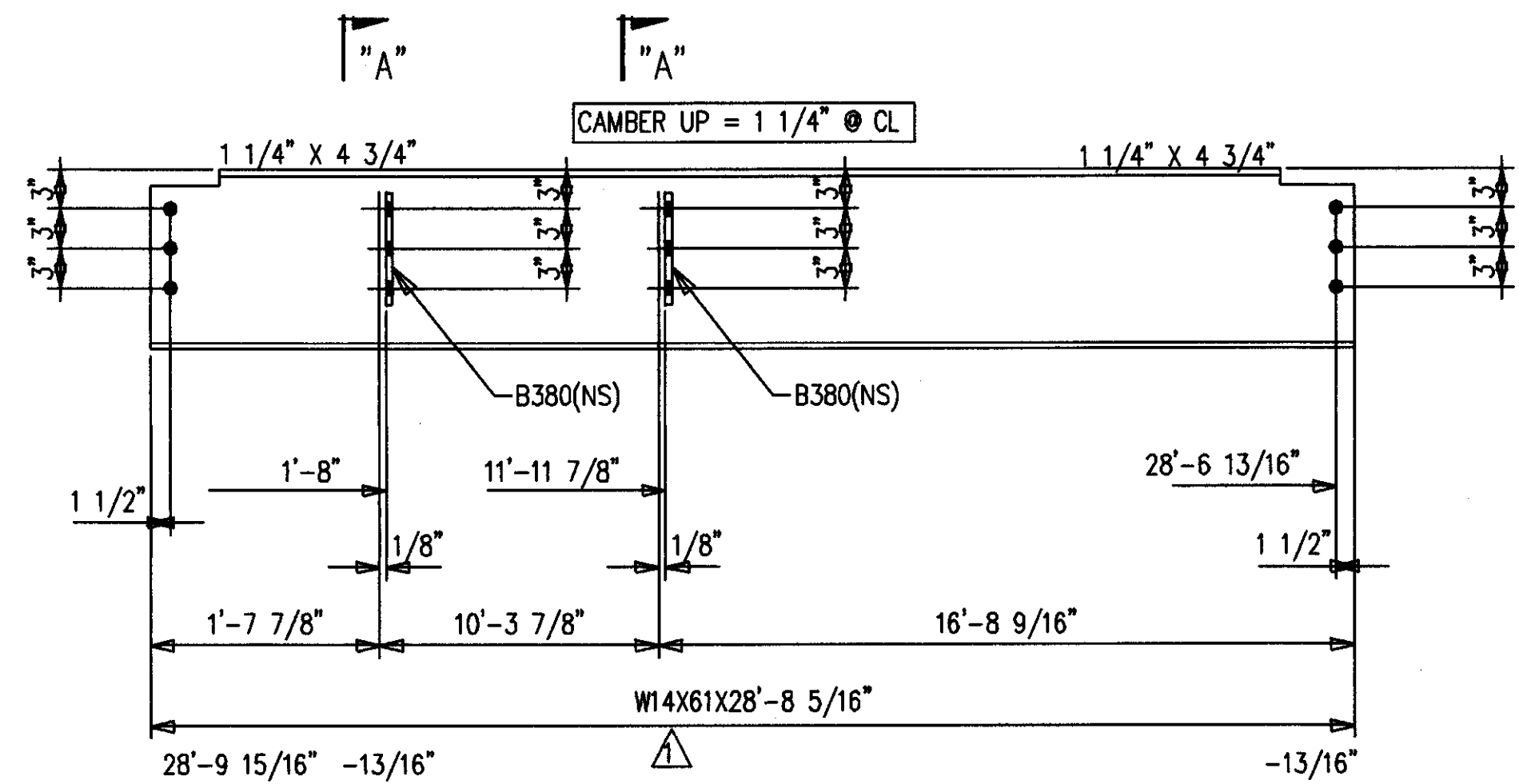
ONE-BEAM 383B3 R [AS SHOWN]  
ONE-BEAM 383B3 L [OPP HAND]  
16-A490 1 X 2 1/2 F1640H  
16-LOAD IND WASH 1 F16L1W



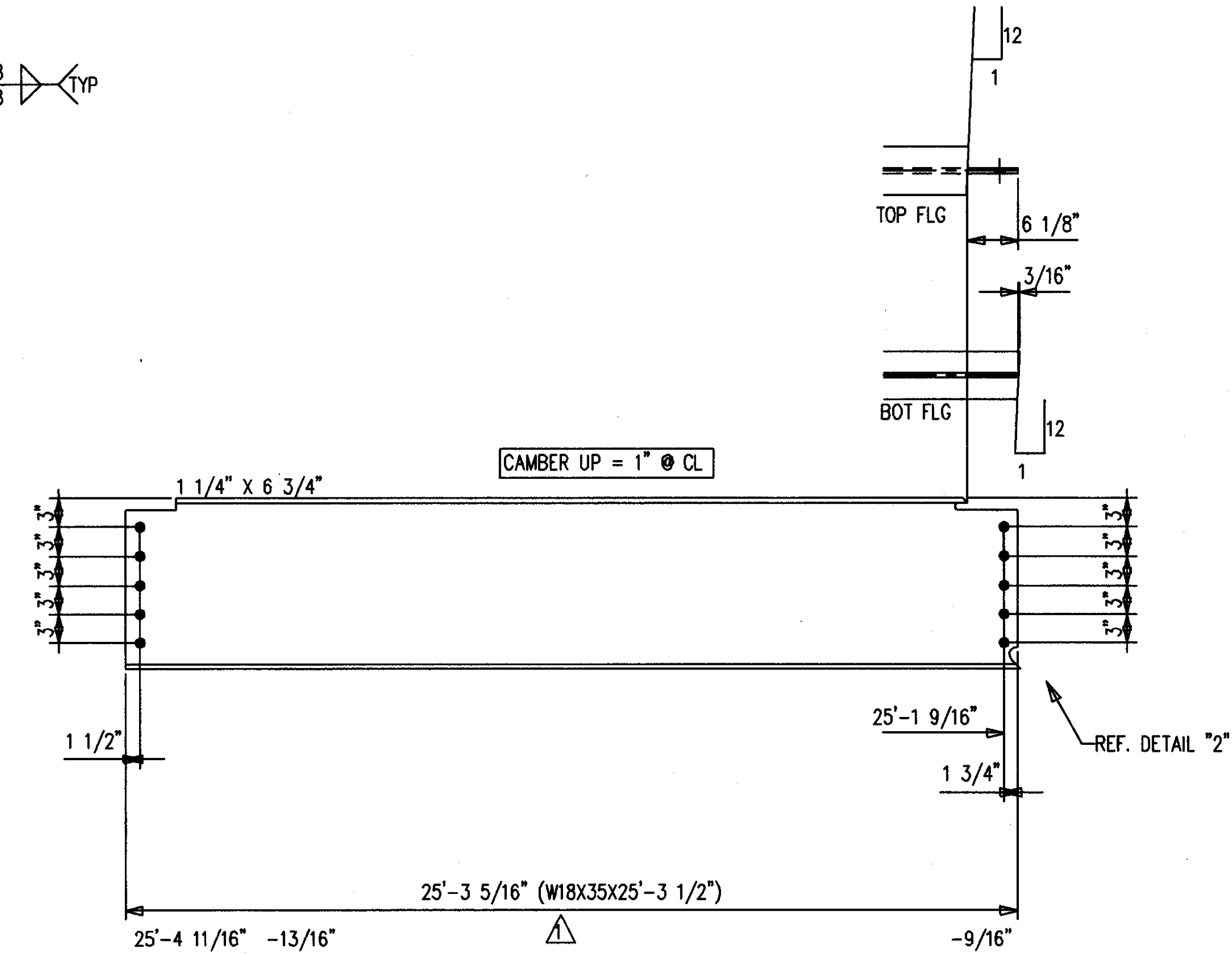
DETAIL "1"



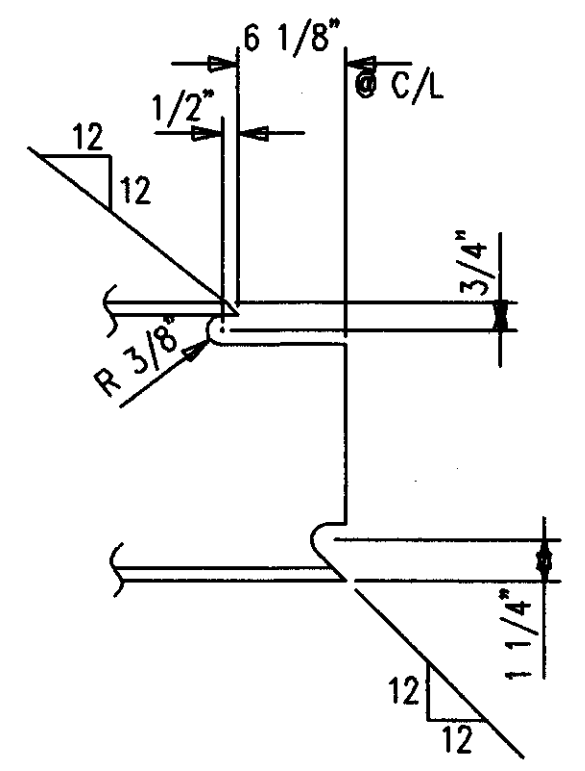
SECTION A



ONE-BEAM 383B2 R [AS SHOWN]  
ONE-BEAM 383B2 L [OPP HAND]  
12-A490 1 X 2 1/2 F1640H  
12-LOAD IND WASH 1 F16L1W



ONE-BEAM 383B4 R [AS SHOWN]  
ONE-BEAM 383B4 L [OPP HAND]  
20-A490 1 X 2 1/2 F1640H  
20-LOAD IND WASH 1 F16L1W



DETAIL "2"

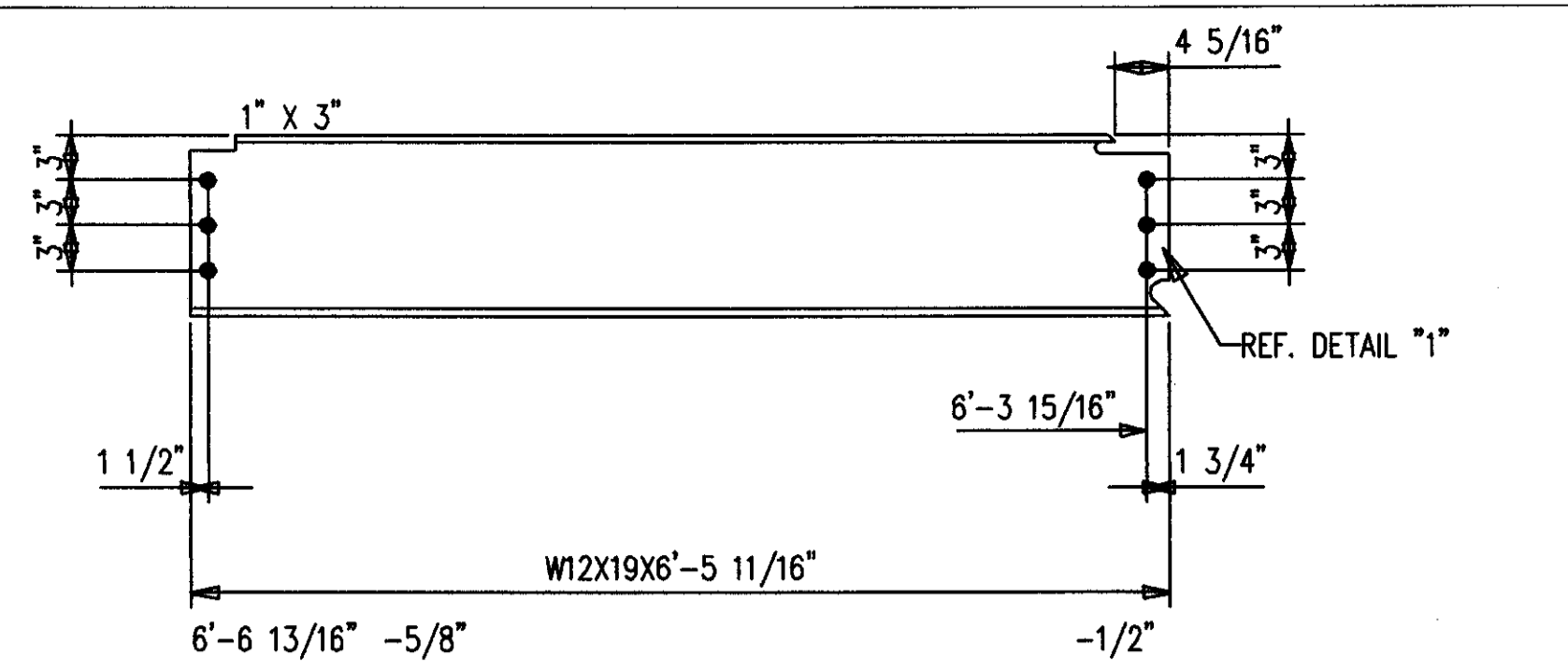
AS BUILT  
NAME: *Map Hughes*  
DATE: AUG 16 1999

NO.	DATE	REVISION DESCRIPTION	DRN	APP
1	4/19/99	REVISED B2 AND B4		
CONTRACTOR TO CHECK ALL DIMENSIONS AT JOB AS MID STATES STEEL PRODUCTS CO. ASSUMES NO RESPONSIBILITY FOR GENERAL BUILDING DIMENSIONS. NO BACK CHARGES PERTAINING TO THIS WORK WILL BE ACCEPTED WITHOUT PRIOR AUTHORIZATION BY MID STATES STEEL PRODUCTS CO.				
MATERIAL U/W	A36	DRAWN BY	KMP	JOB NAME
OPEN HOLES U/W	1 1/8" Ø	DATE	3-99	JOB LOCATION
WELD ELECTRODE U/W	E70XX	CHECKED BY	GCL	CONTRACTOR
SHOP PAINT	SEE SPECS	DATE	3-99	ENGINEER
DRAWING TITLE	BEAMS			WALTER P. MOORE

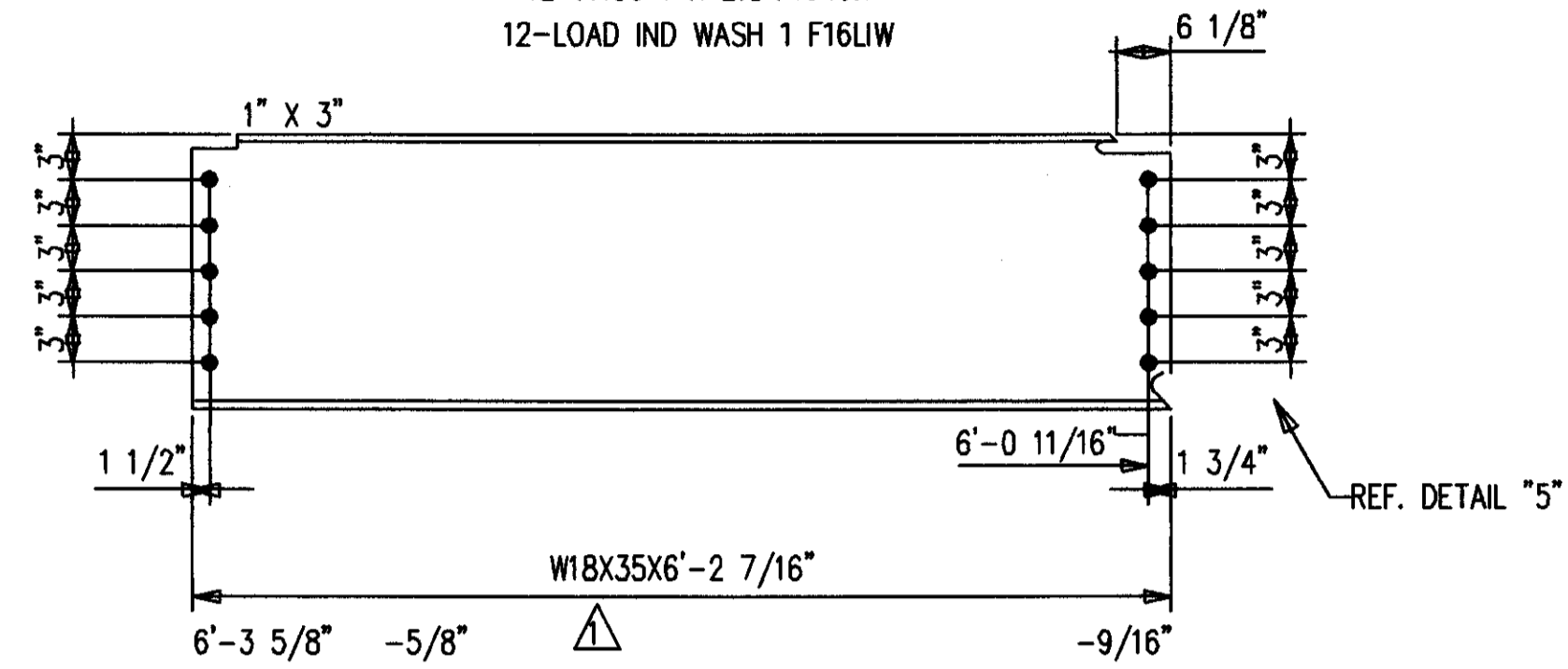
DATE	APP	SHOP	FIELD

MID STATES STEEL PRODUCTS CO.  
FABRICATORS OF STRUCTURAL AND MISCELLANEOUS STEEL

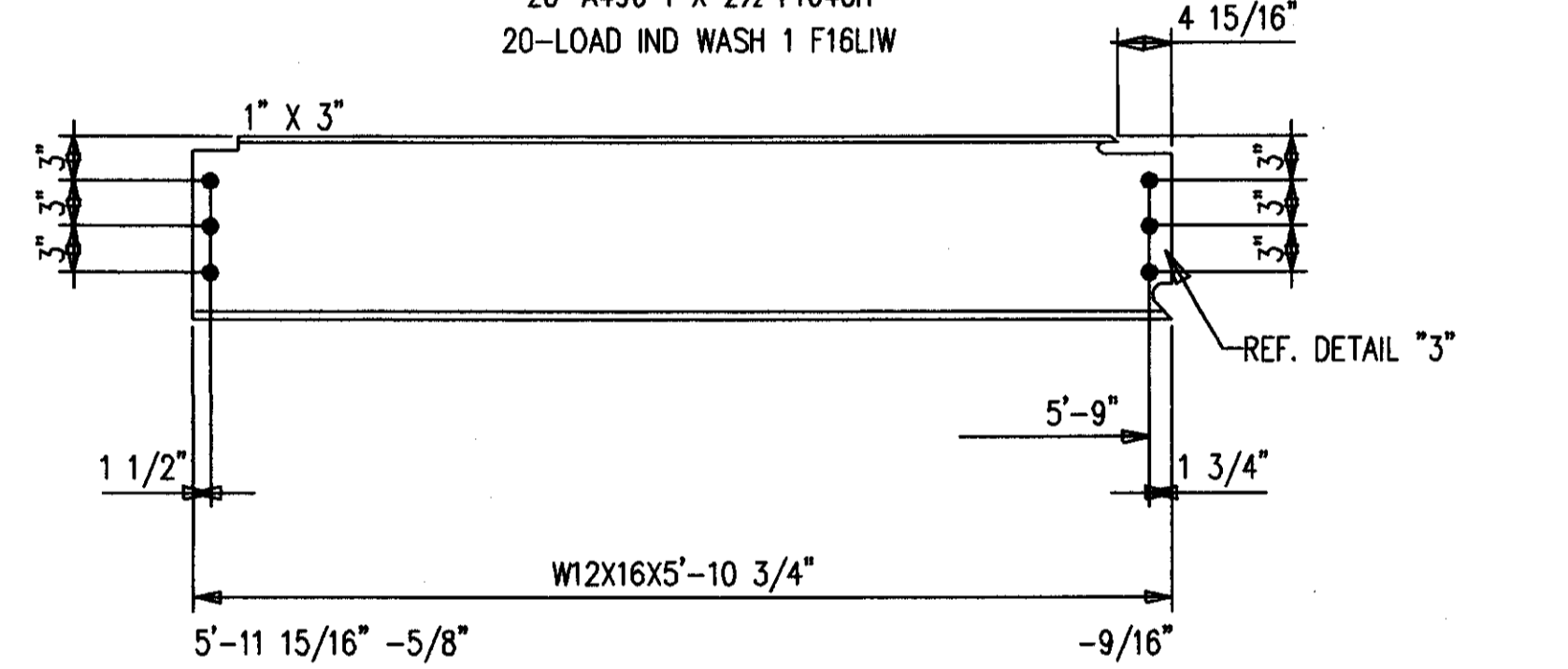
ORDER NO.  
P3524  
SHEET NO.  
383



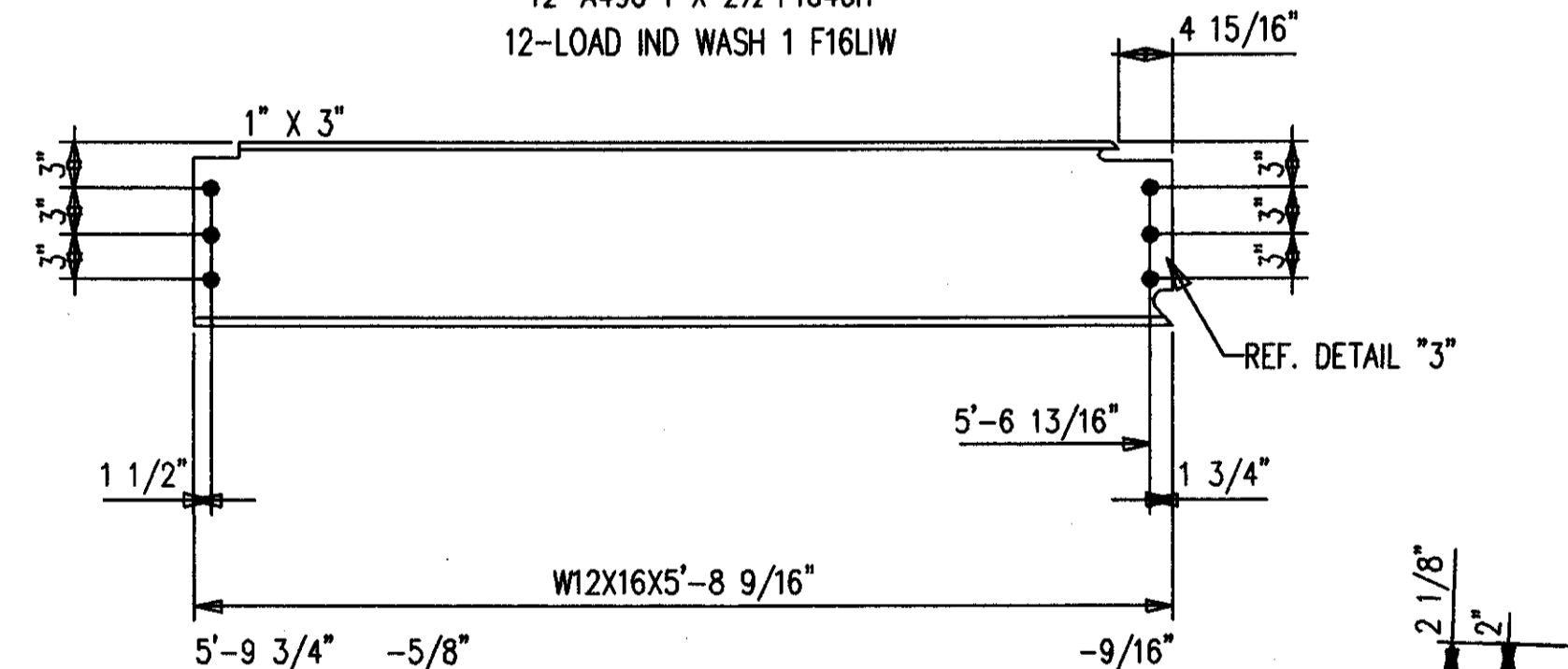
**2-BEAMS 384B1**  
12-A490 1 X 2½ F1640H  
12-LOAD IND WASH 1 F16LW



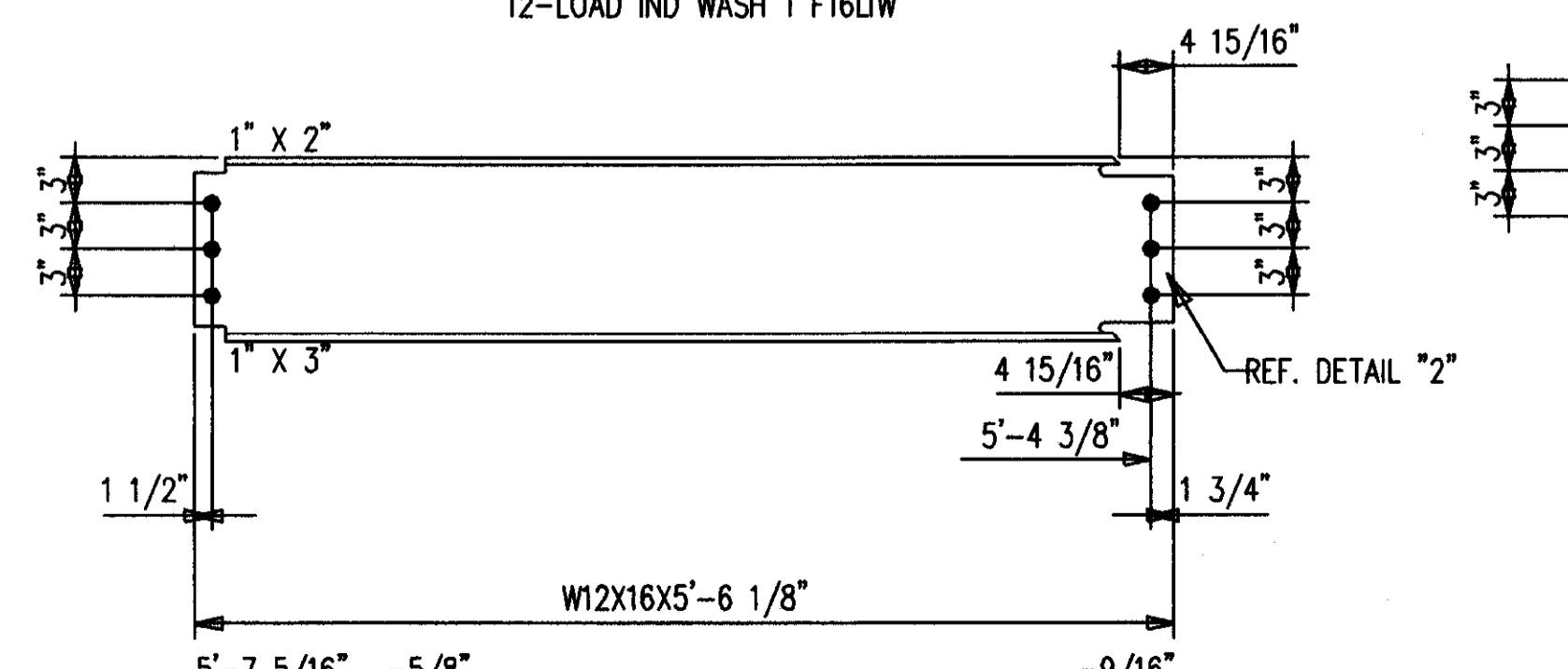
**2-BEAMS 384B2**  
20-A490 1 X 2½ F1640H  
20-LOAD IND WASH 1 F16LW



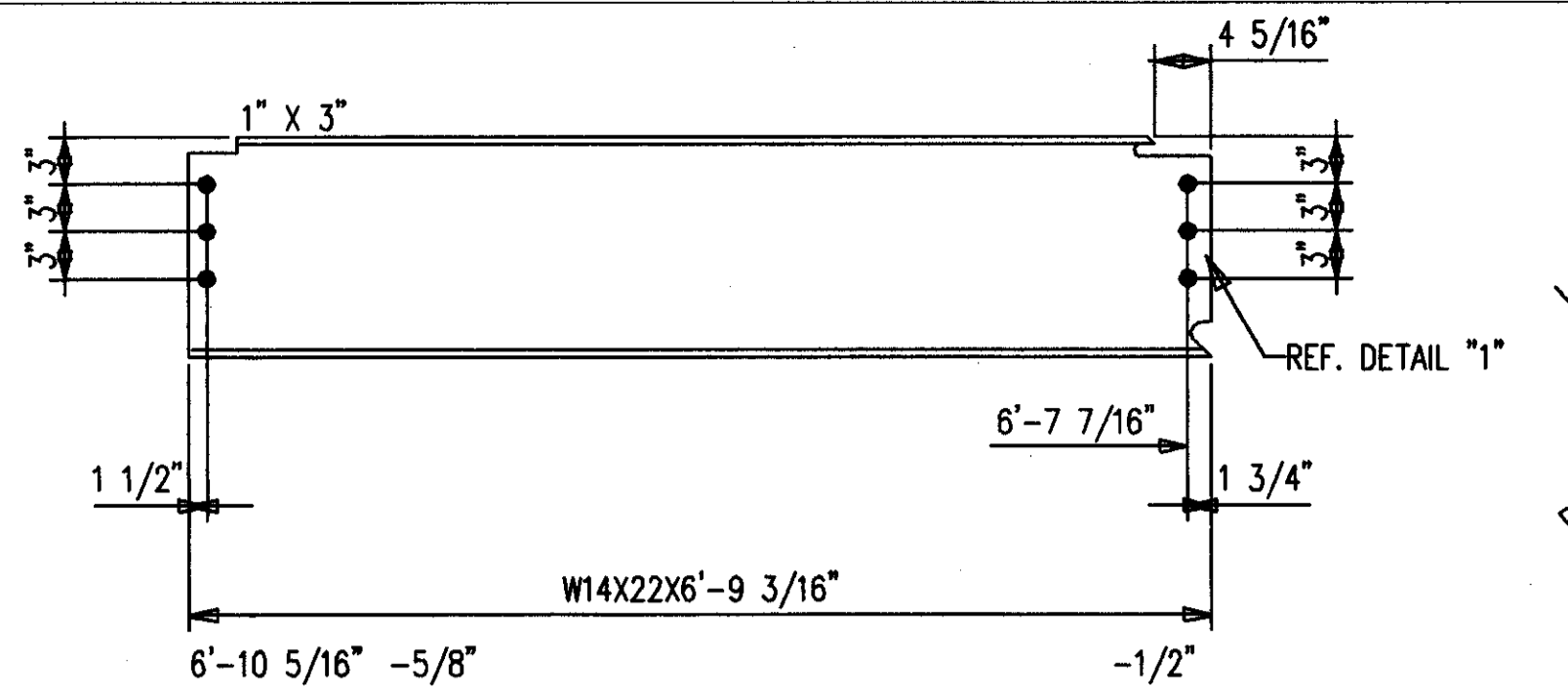
**2-BEAMS 384B3**  
12-A490 1 X 2½ F1640H  
12-LOAD IND WASH 1 F16LW



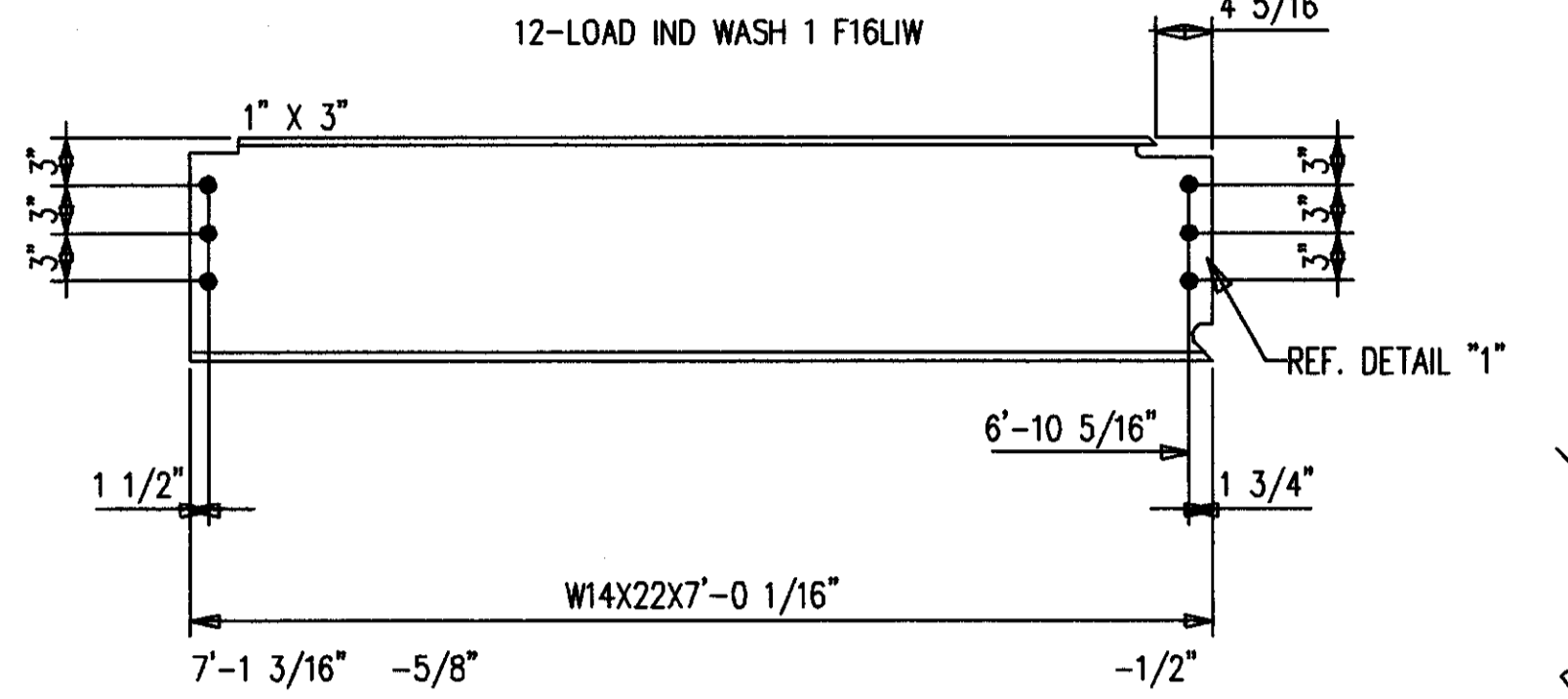
**2-BEAMS 384B4**  
12-A490 1 X 2½ F1640H  
12-LOAD IND WASH 1 F16LW



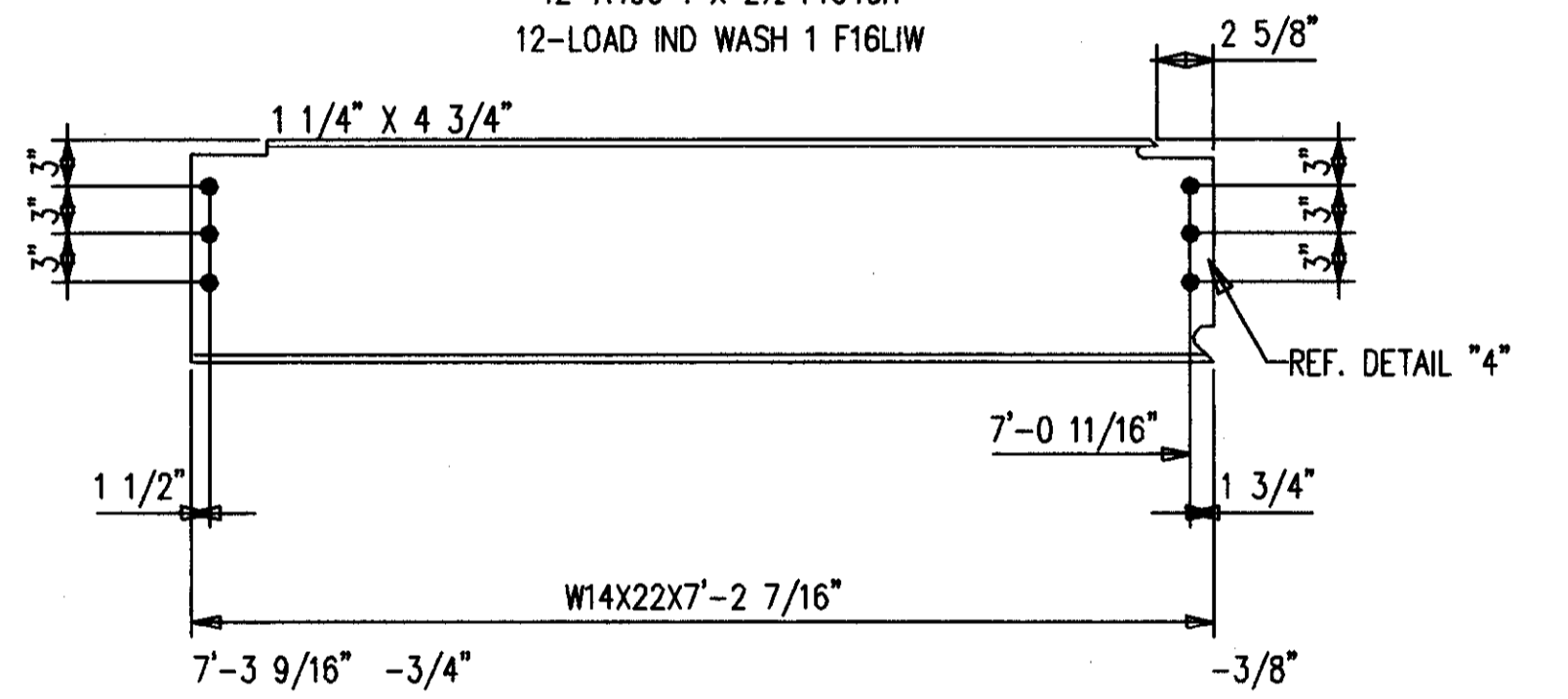
**2-BEAMS 384B5**  
12-A490 1 X 2½ F1640H  
12-LOAD IND WASH 1 F16LW



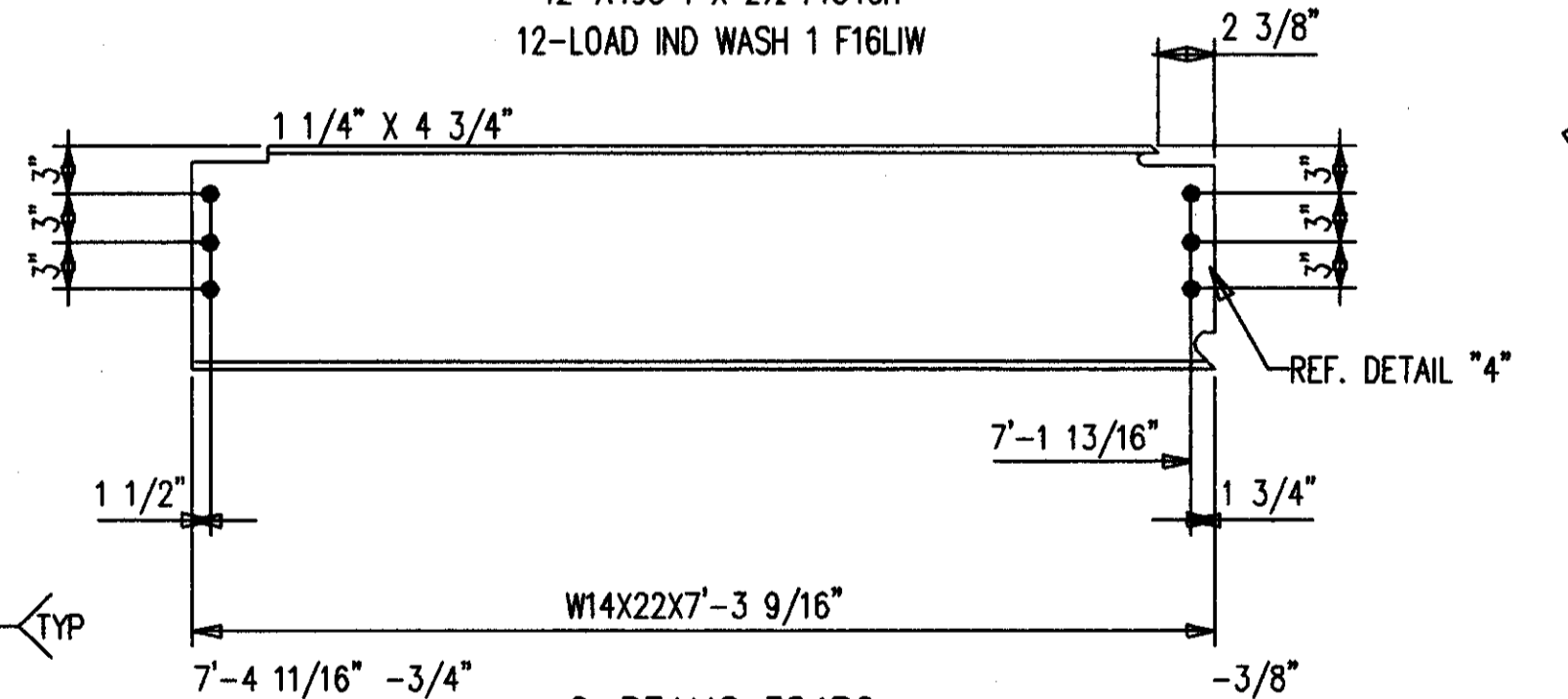
**2-BEAMS 384B6**  
12-A490 1 X 2½ F1640H  
12-LOAD IND WASH 1 F16LW



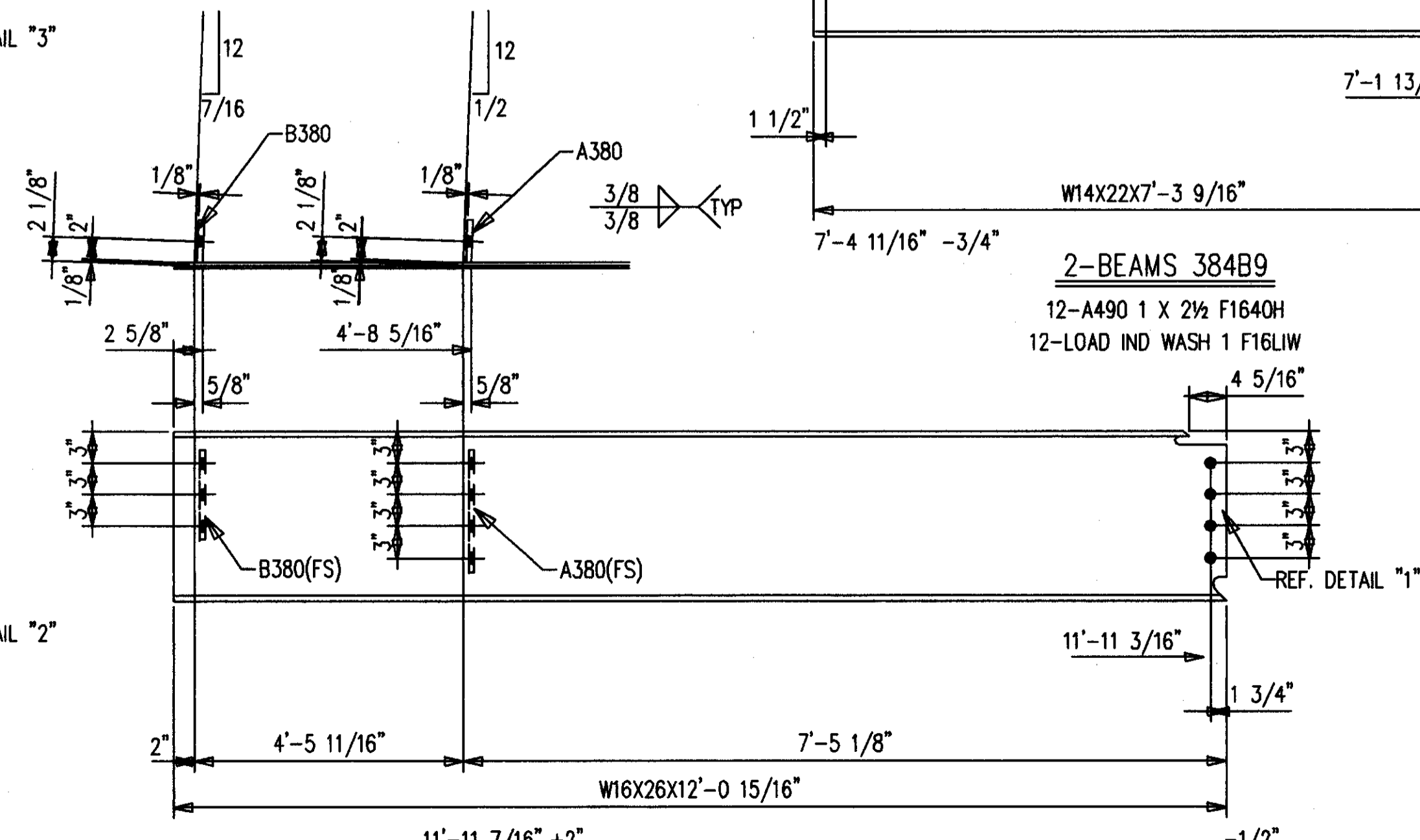
**2-BEAMS 384B7**  
12-A490 1 X 2½ F1640H  
12-LOAD IND WASH 1 F16LW



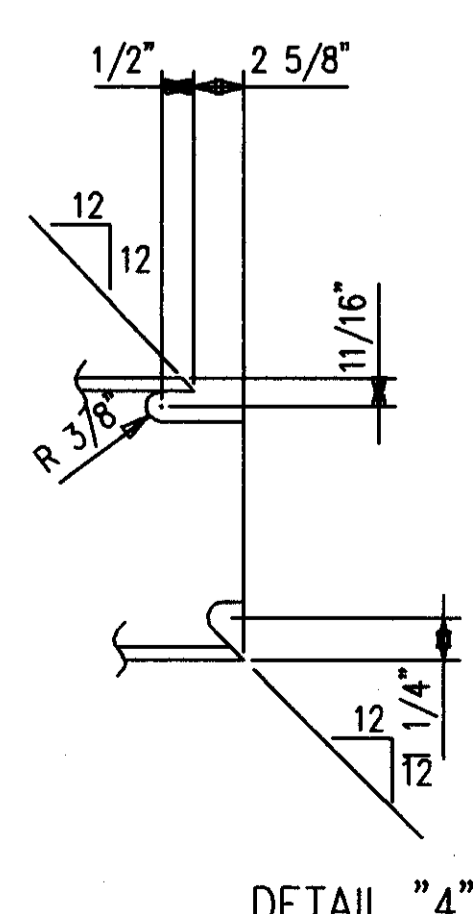
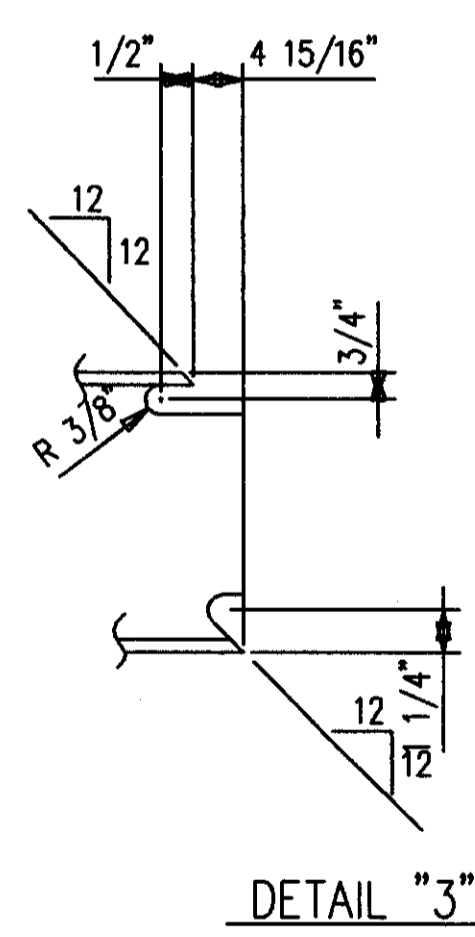
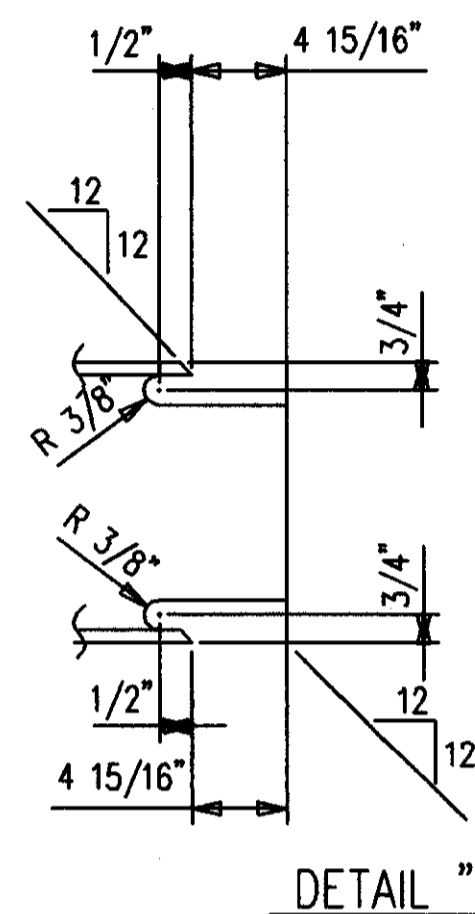
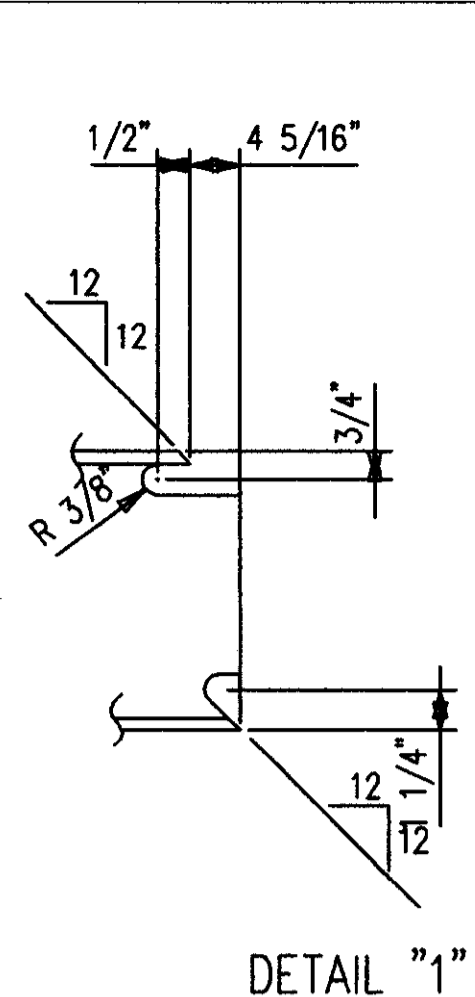
**2-BEAMS 384B8**  
12-A490 1 X 2½ F1640H  
12-LOAD IND WASH 1 F16LW



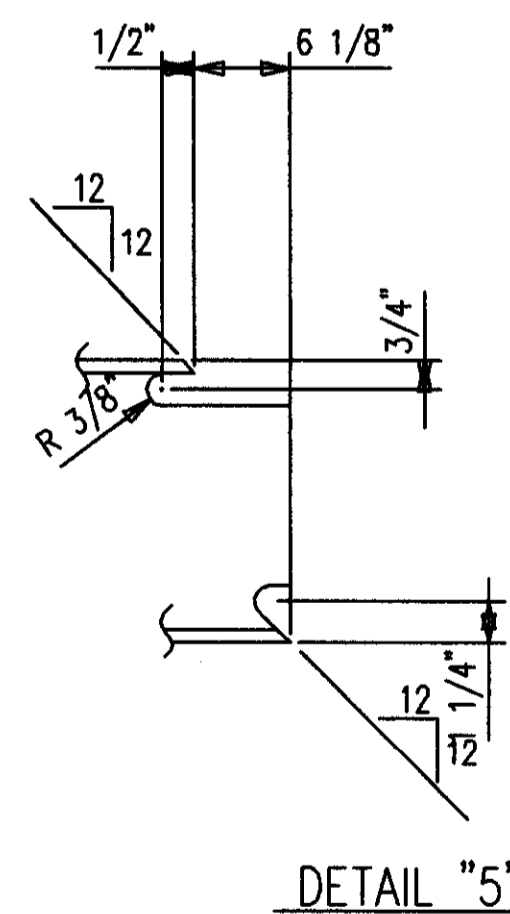
**2-BEAMS 384B9**  
12-A490 1 X 2½ F1640H  
12-LOAD IND WASH 1 F16LW



**ONE-BEAM 384B10 R** [AS SHOWN]  
**ONE-BEAM 384B10 L** [OPP HAND]  
8-A490 1 X 2½ F1640H  
8-LOAD IND WASH 1 F16LW



BILL OF MATERIAL						
SHIP MARK SUB MARK	NO. PCS.	DESCRIPTION	LENGTH		C L I S T	REMARKS
			FT.	IN.		
384B1	2	BEAMS				
384B1	2	W12X19 A572	6	5-11/16		P
384B2	2	BEAMS				
384B2	2	W18X35 A572	6	2-7/16		P
384B3	2	BEAMS				
384B3	2	W12X16 A572	5	10-3/4		P
384B4	2	BEAMS				
384B4	2	W12X16 A572	5	8-9/16		P
384B5	2	BEAMS				
384B5	2	W12X16 A572	5	6-1/8		P
384B6	2	BEAMS				
384B6	2	W14X22 A572	6	9-3/16		P
384B7	2	BEAMS				
384B7	2	W14X22 A572	7	0-1/16		P
384B8	2	BEAMS				
384B8	2	W14X22 A572	7	2-7/16		P
384B9	2	BEAMS				
384B9	2	W14X22 A572	7	3-9/16		P
384B10 L	ONE	BEAM				
384B10	1	W16X26 A572	12	0-15/16		P
A380	1	FBI/2X4	1	0		P
B380	1	FBI/2X4	0	9		P
384B10 R	ONE	BEAM				
384B10	1	W16X26 A572	12	0-15/16		P
A380	1	FBI/2X4	1	0		P
B380	1	FBI/2X4	0	9		P
		FIELD BOLTS				
F1640H	118	A490 1X2-1/2				
F16LW	118	A LOAD IND 1				



**AS BUILT**  
NAME: *Mark Hughes*  
DATE: **AUG 16 1999**

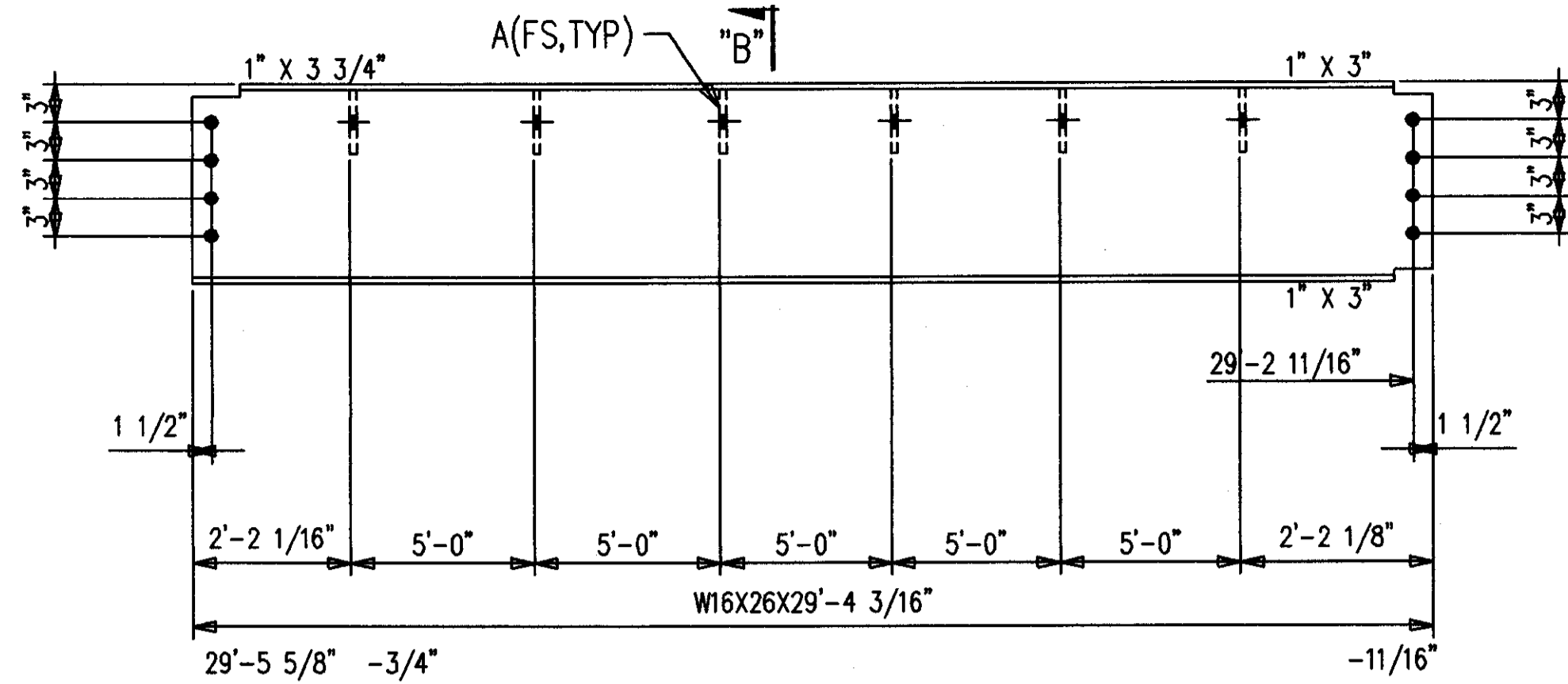
1	4/19/99	REVISED B2			
CONTRACTOR TO CHECK ALL DIMENSIONS AT JOB AS MID STATES STEEL PRODUCTS CO. ASSUMES NO RESPONSIBILITY FOR GENERAL BUILDING DIMENSIONS. NO BACK CHARGES PERTAINING TO THIS WORK WILL BE ACCEPTED WITHOUT PRIOR AUTHORIZATION BY MID STATES STEEL PRODUCTS CO.					
MATERIAL U/A	A36	DRAWN BY	KMP	JOB NAME	COMMONWEALTH STADIUM EXPANSION
OPEN HOLES U/A	1 1/8" Ø	DATE	3-99	JOB LOCATION	UNIVERSITY OF KENTUCKY
WELD ELECTRODE U/A	E70XX	CHECKED BY	GCL	CONTRACTOR	TURNER CONSTRUCTION COMPANY
SHOP PAINT	SEE SPECS	DATE	3-99	ENGINEER	WALTER P. MOORE
DRAWING TITLE	BEAMS				
DATE	APP	SHOP	RELD		

**MID STATES STEEL PRODUCTS CO.**  
P.O. BOX 11128-2044 BUCK LANE  
LEXINGTON, KENTUCKY 40511  
PHONE: 606-233-4344 FAX: 606-233-4346  
FABRICATORS OF STRUCTURAL AND MISCELLANEOUS STEEL

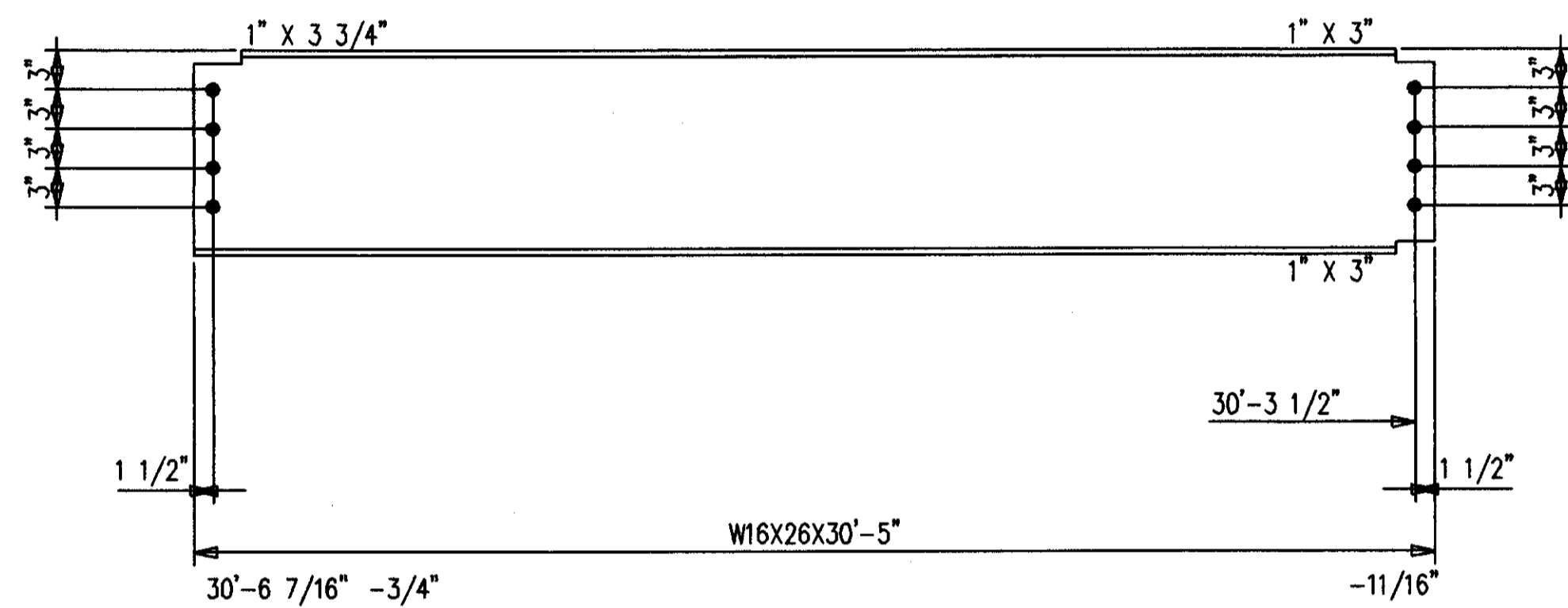
ORDER NO.  
**P3524**  
SHEET NO.  
**384**

Document #  
34760  
206 C-1

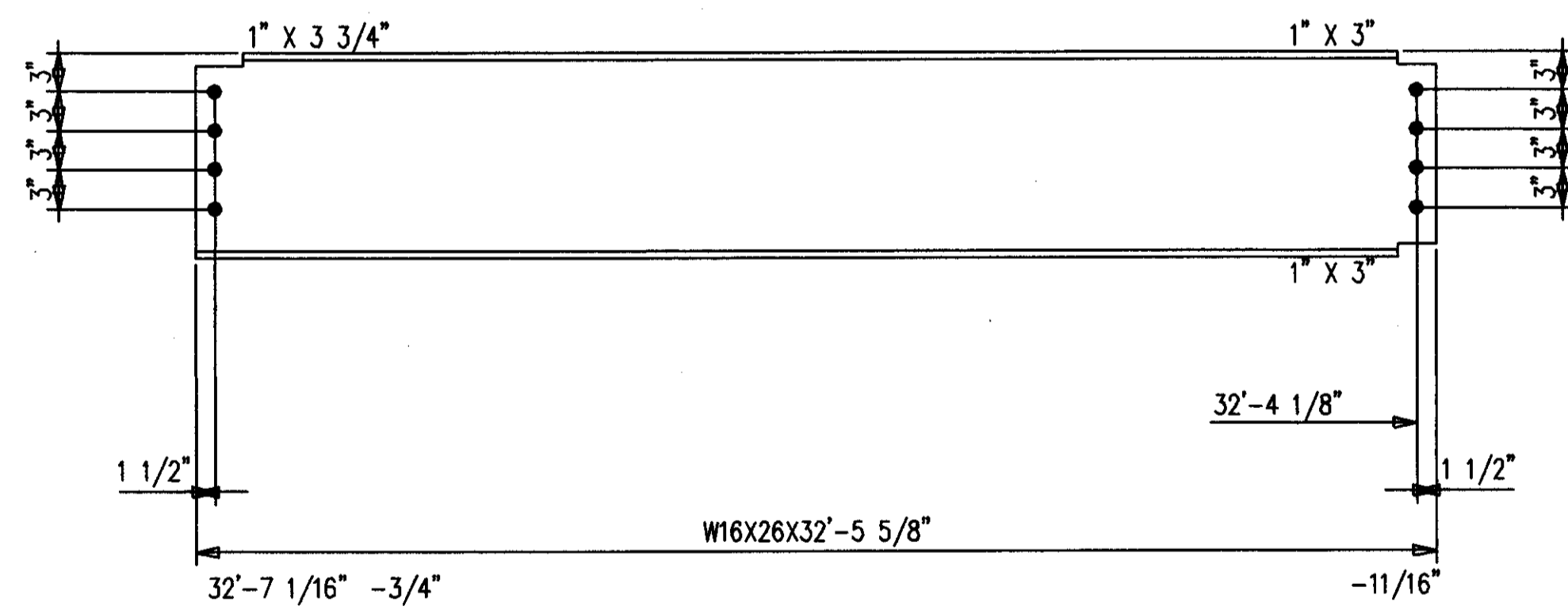




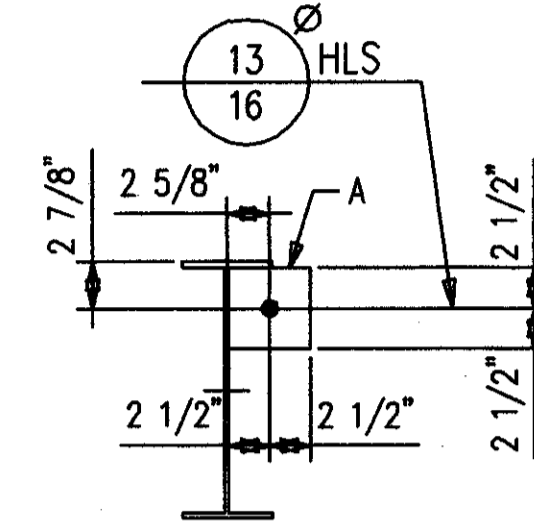
ONE-BEAM 386B1 R [AS SHOWN]  
ONE-BEAM 386B1 L [OPP HAND]  
16-A490 1 X 2 1/2 F1640H  
16-LOAD IND WASH 1 F16LIW



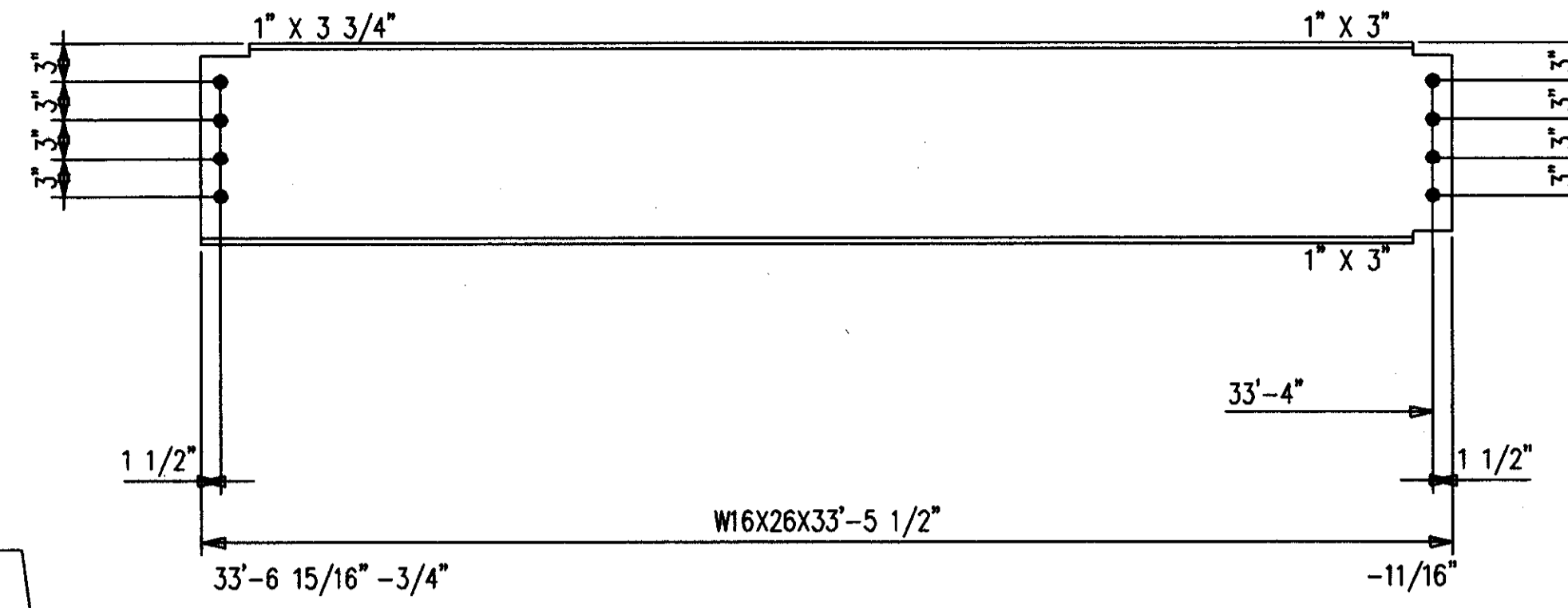
2-BEAMS 386B2  
16-A490 1 X 2 1/2 F1640H  
16-LOAD IND WASH 1 F16LIW



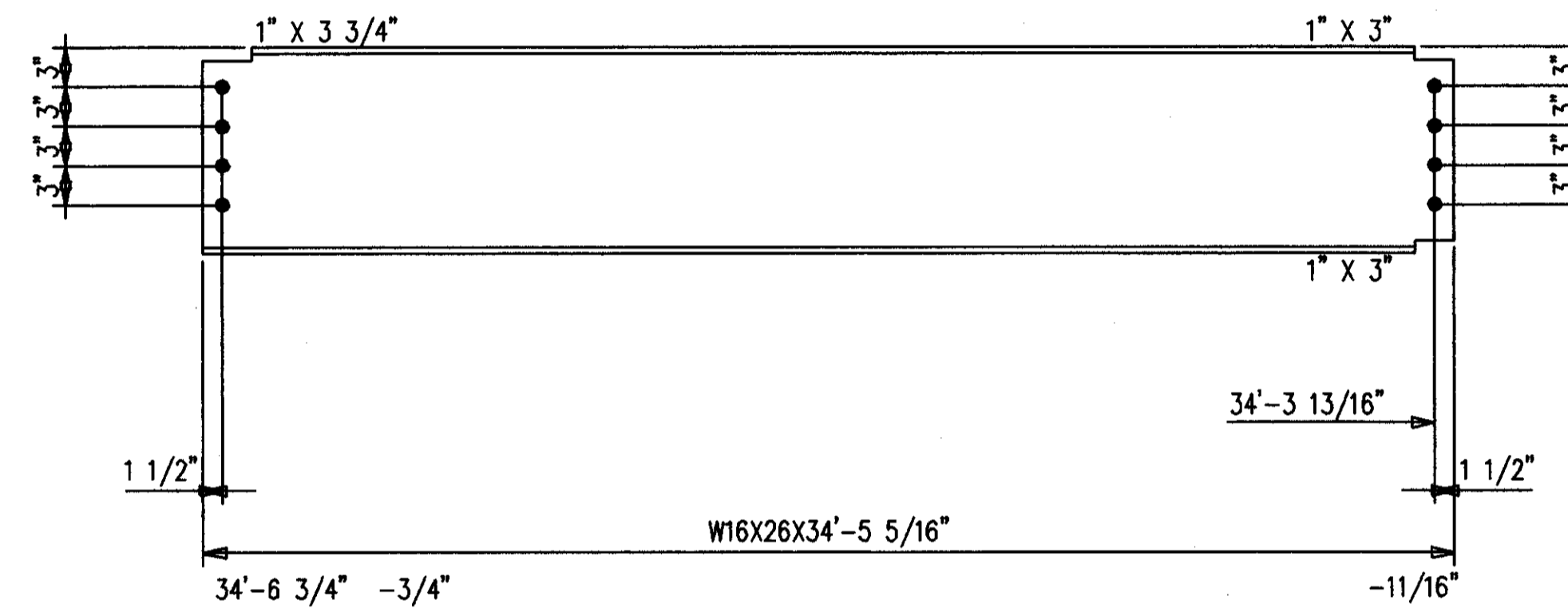
2-BEAMS 386B3  
16-A490 1 X 2 1/2 F1640H  
16-LOAD IND WASH 1 F16LIW



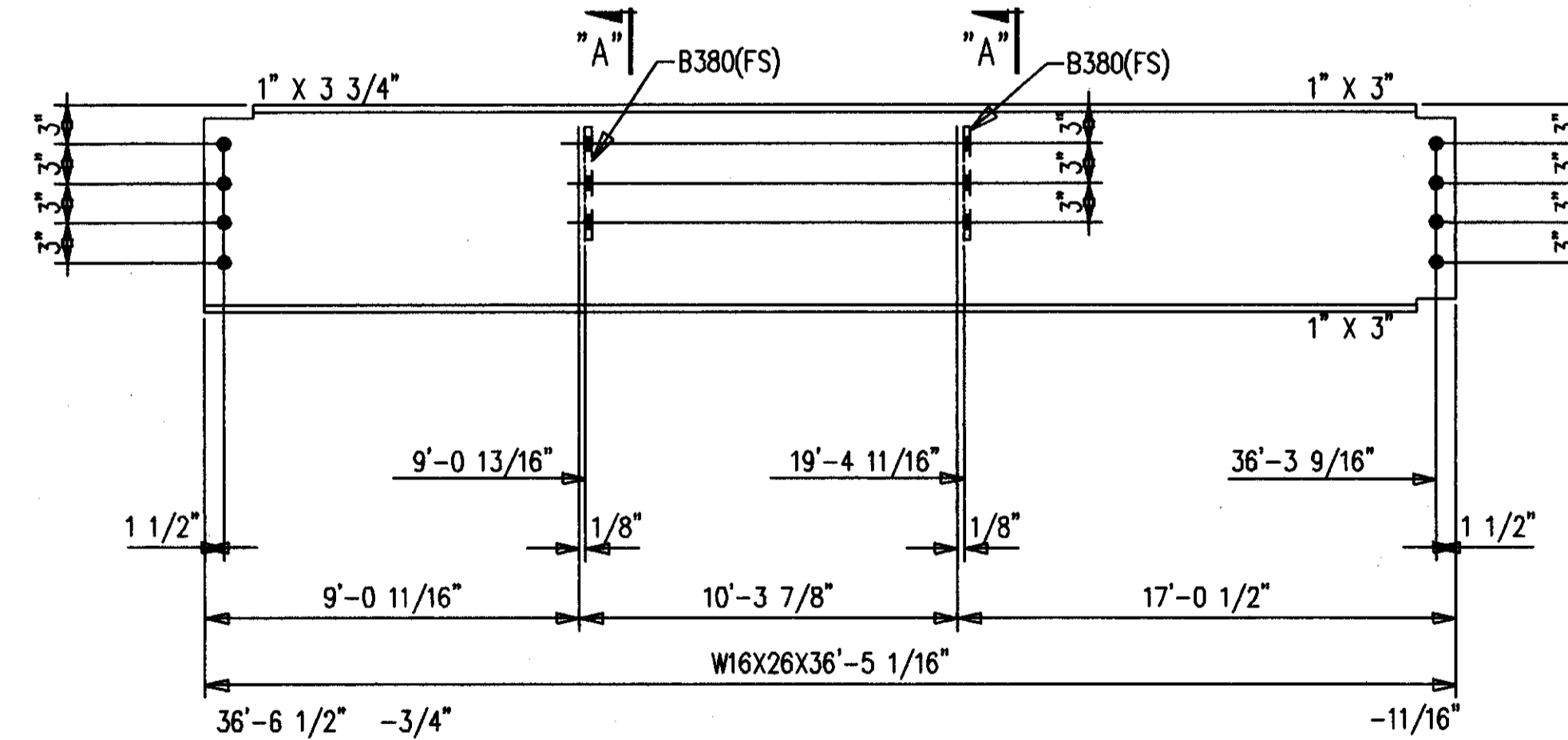
SECTION B



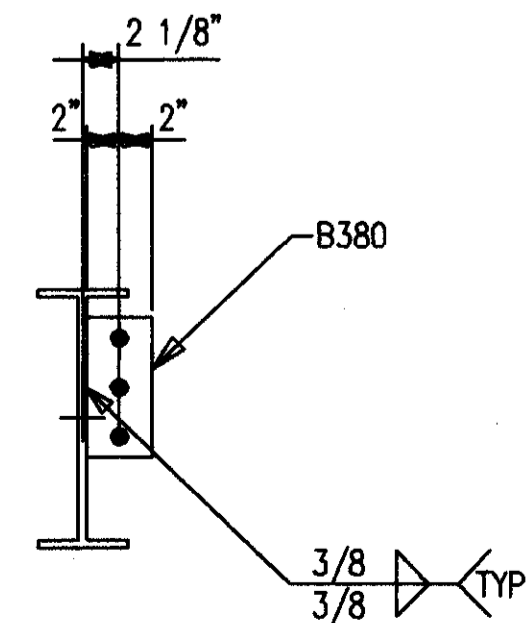
2-BEAMS 386B4  
16-A490 1 X 2 1/2 F1640H  
16-LOAD IND WASH 1 F16LIW



2-BEAMS 386B5  
16-A490 1 X 2 1/2 F1640H  
16-LOAD IND WASH 1 F16LIW



2-BEAMS 386B6  
16-A490 1 X 2 1/2 F1640H  
16-LOAD IND WASH 1 F16LIW



SECTION A

BILL OF MATERIAL

SHIP MARK SUB MARK	NO. PCS.	DESCRIPTION	LENGTH		C L I S T	REMARKS
			FT.	IN.		
386B1 R	ONE	BEAM				
386B1	1	W16X26 A572	29	4-3/16		P
A386	6	FB3/8X5	0	5		P
386B1 L	ONE	BEAM				
386B1	1	W16X26 A572	29	4-3/16		P
A386	6	FB3/8X5	0	5		P
386B2	2	BEAMS				
386B2	2	W16X26 A572	30	5		P
386B3	2	BEAMS				
386B3	2	W16X26 A572	32	5-5/8		P
386B4	2	BEAMS				
386B4	2	W16X26 A572	33	5-1/2		P
386B5	2	BEAMS				
386B5	2	W16X26 A572	34	5-5/16		P
386B6	2	BEAMS				
386B6	2	W16X26 A572	36	5-1/16		P
B380	4	FB1/2X4	0	9		P
		FIELD BOLTS				
F1640H	97	A490 1X2-1/2				
F16LIW	97	A LOAD IND 1				

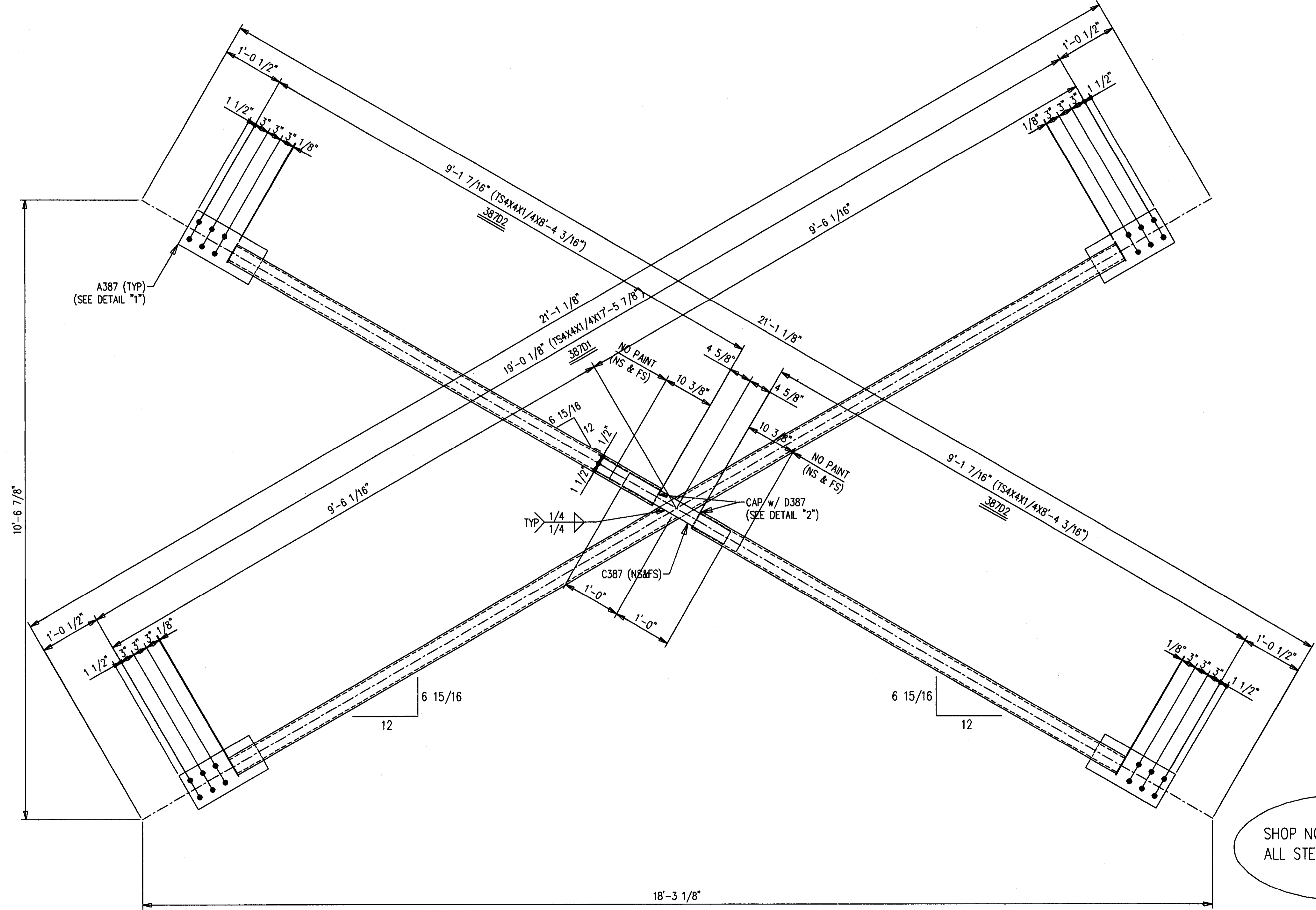
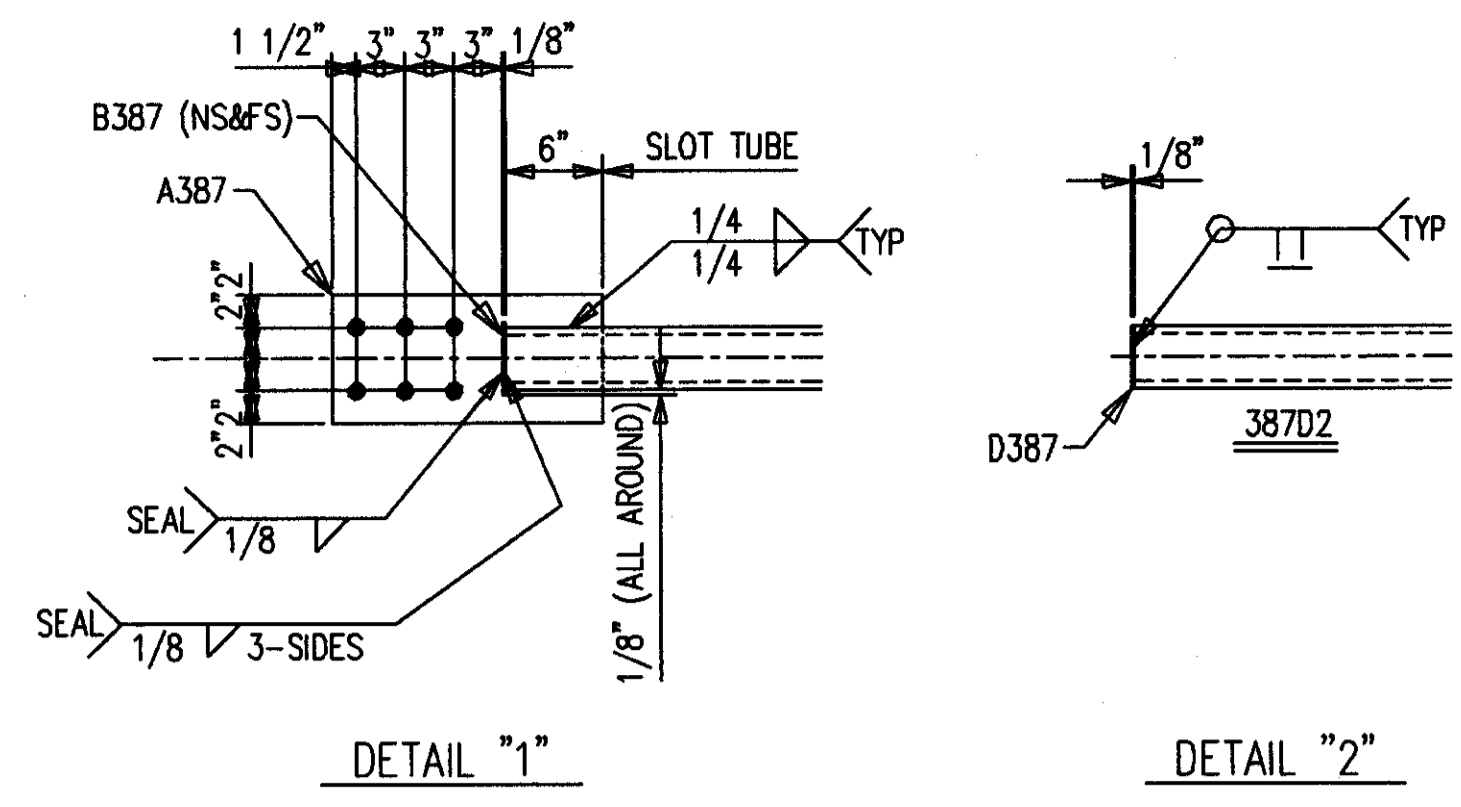
**AS BUILT**  
NAME: *M. P. Hughes*  
DATE: AUG 10 1999

ALL RE-ENTRANT CUTS  
MIN. 1/2" RAD. U/N  
ALL A325 BOLTS w/ONE  
HARD WASH. AND HVY HEX NUT  
ALL A307 BOLTS  
w/HEX NUT

DATE:    APP:    SHOP:    FIELD:

NO.	DATE	REVISION DESCRIPTION	DRAWN	CO.
CONTRACTOR TO CHECK ALL DIMENSIONS AT JOB AS MID STATES STEEL PRODUCTS CO. ASSUMES NO RESPONSIBILITY FOR GENERAL BUILDING DIMENSIONS. NO BACK CHARGES PERTAINING TO THIS WORK WILL BE ACCEPTED WITHOUT PRIOR AUTHORIZATION BY MID STATES STEEL PRODUCTS CO.				
MATERIAL U/A	A36	DRAWN BY	KMP	JOB NAME
OPEN HOLES U/A	1 1/8" ø	DATE	3-99	COMMONWEALTH STADIUM EXPANSION
WELD ELECTRODE U/A	E70XX	CHECKED BY	GCL	JOB LOCATION
SHOP PRINT SEE SPECS		DATE	3-99	UNIVERSITY OF KENTUCKY
DRAWING TITLE	BEAMS	CONTRACTOR		TURNER CONSTRUCTION COMPANY
		ENGINEER		WALTER P. MOORE
P.O. BOX 11128-2044 BUCK LANE LEXINGTON, KENTUCKY 40511 PHONE: 606-233-4344 FAX: 606-233-4346				ORDER NO. P3524
MID STATES STEEL PRODUCTS CO. FABRICATORS OF STRUCTURAL AND MISCELLANEOUS STEEL				SHEET NO. 386





SHOP NOTE:  
ALL STEEL GETS PRIMER ONLY

2-DIAGONALS 387D1  
4-DIAGONALS 387D2  
48-A490 1 X 2 3/4 F1644H  
48-LOAD IND WASH 1 F16LIW

**AS BUILT**  
NAME: *Max Hughes*  
DATE: **AUG 16 1999**

**BILL OF MATERIAL**

SHIP MARK SUB MARK	NO. PCS.	DESCRIPTION	LENGTH		CL UITS	REMARKS
			FT.	IN.		
387D1	2	DIAGONALS				
387D1	2	TS4X4X1/4	17	5-7/8		
A387	4	FB1/2X8	1	4-5/8		P
B387	8	PL1/8X1-7/8	0	4-1/4		
C387	4	FB3/8X3	2	0		
387D2	4	DIAGONALS				
387D2	4	TS4X4X1/4	8	4-3/16		
A387	4	FB1/2X8	1	4-5/8		P
B387	8	PL1/8X1-7/8	0	4-1/4		
D387	4	FB1/8X4	0	4		
		FIELD BOLTS				
F1644H	49	A490 1X2-3/4				
F16LIW	49	A LOAD IND 1				

ALL RE-ENTRANT CUTS MIN. 1/2" RAD. U/N  
ALL A325 BOLTS w/ONE HARD WASH. AND HVY HEX NUT  
ALL A307 BOLTS w/HEX NUT

WELD ELECTRODE U/N E70XX  
SHOP PAINT SEE SPECS

DATE APP SHOP FIELD

CONTRACTOR TO CHECK ALL DIMENSIONS AT JOB AS MID STATES STEEL PRODUCTS CO. ASSUMES NO RESPONSIBILITY FOR GENERAL BUILDING DIMENSIONS. NO BACK CHARGES PERTAINING TO THIS WORK WILL BE ACCEPTED WITHOUT PRIOR AUTHORIZATION BY MID STATES STEEL PRODUCTS CO.

MATERIAL U/N A36  
OPEN HOLES U/N 1 1/16" Ø  
WELD ELECTRODE U/N E70XX  
SHOP PAINT SEE SPECS

DRAWN BY **KMP**  
DATE 3-99  
CHECKED BY **GCL**  
DATE 3-99

JOB NAME COMMONWEALTH STADIUM EXPANSION  
JOB LOCATION UNIVERSITY OF KENTUCKY  
CONTRACTOR TURNER CONSTRUCTION COMPANY  
ENGINEER WALTER P. MOORE

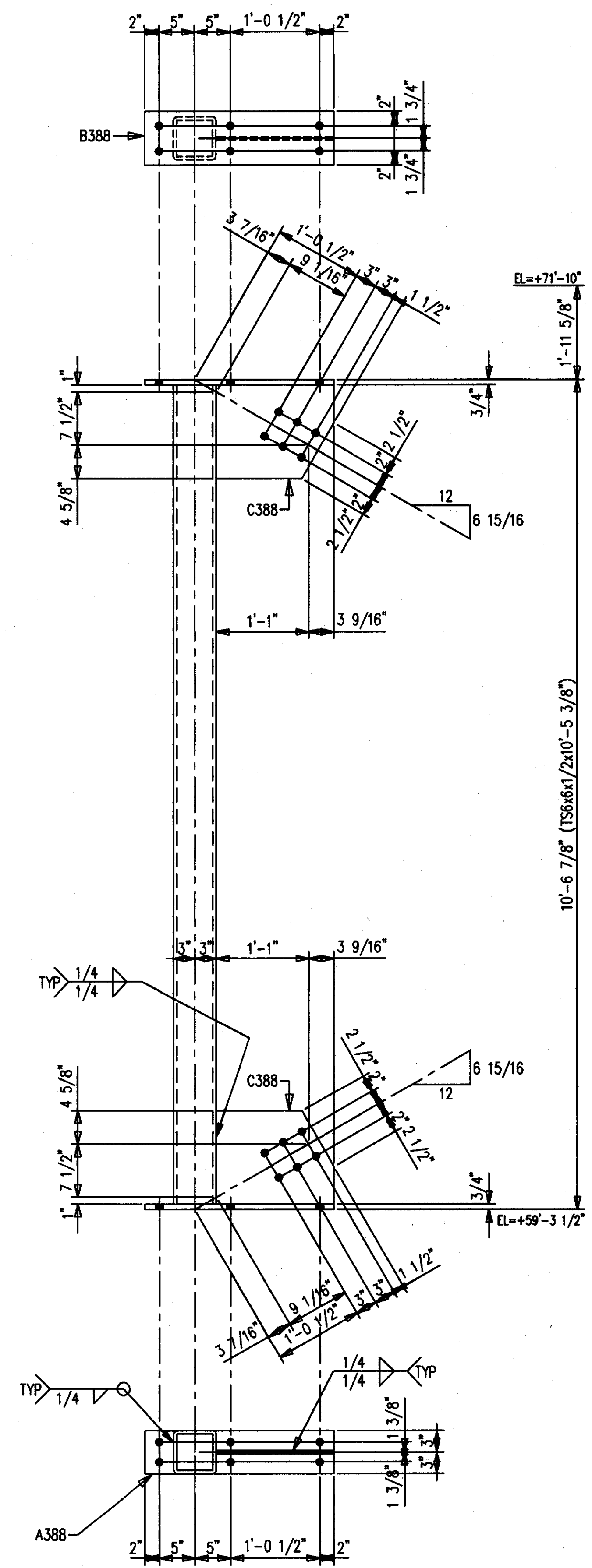
DIAGONALS

P.O. BOX 11128-2044 BUCK LANE  
LEXINGTON, KENTUCKY 40511  
PHONE: 606-253-4344 FAX: 606-253-4346

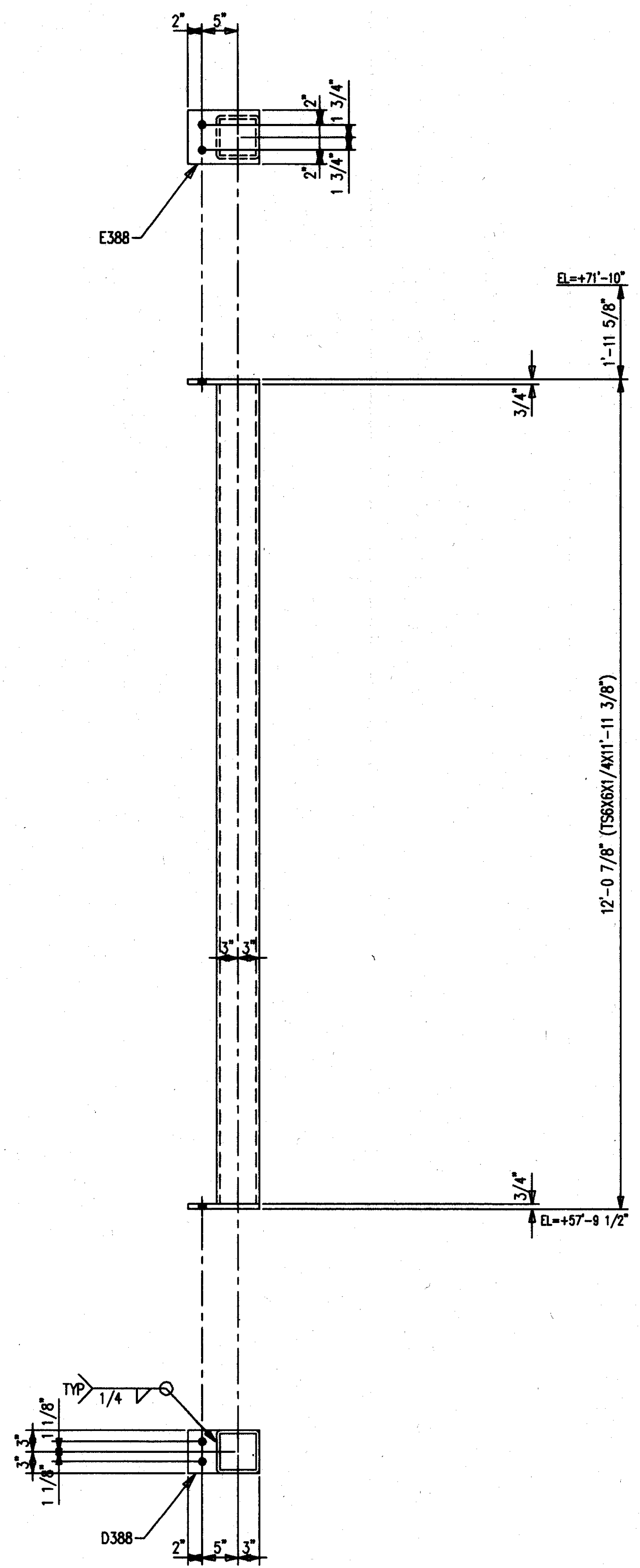
ORDER NO. P3524  
SHEET NO. 387

**MID STATES STEEL PRODUCTS CO.**  
FABRICATORS OF STRUCTURAL AND MISCELLANEOUS STEEL

Doc # 34763  
Sheet # 206  
C-1



4-COLUMNS 388C1  
 4-A490 1 X 3 F1648H  
 4-LOAD IND WASH 1 F16LIW



2-COLUMNS 388C2  
 4-A490 1 X 3 F1648H  
 4-LOAD IND WASH 1 F16LIW

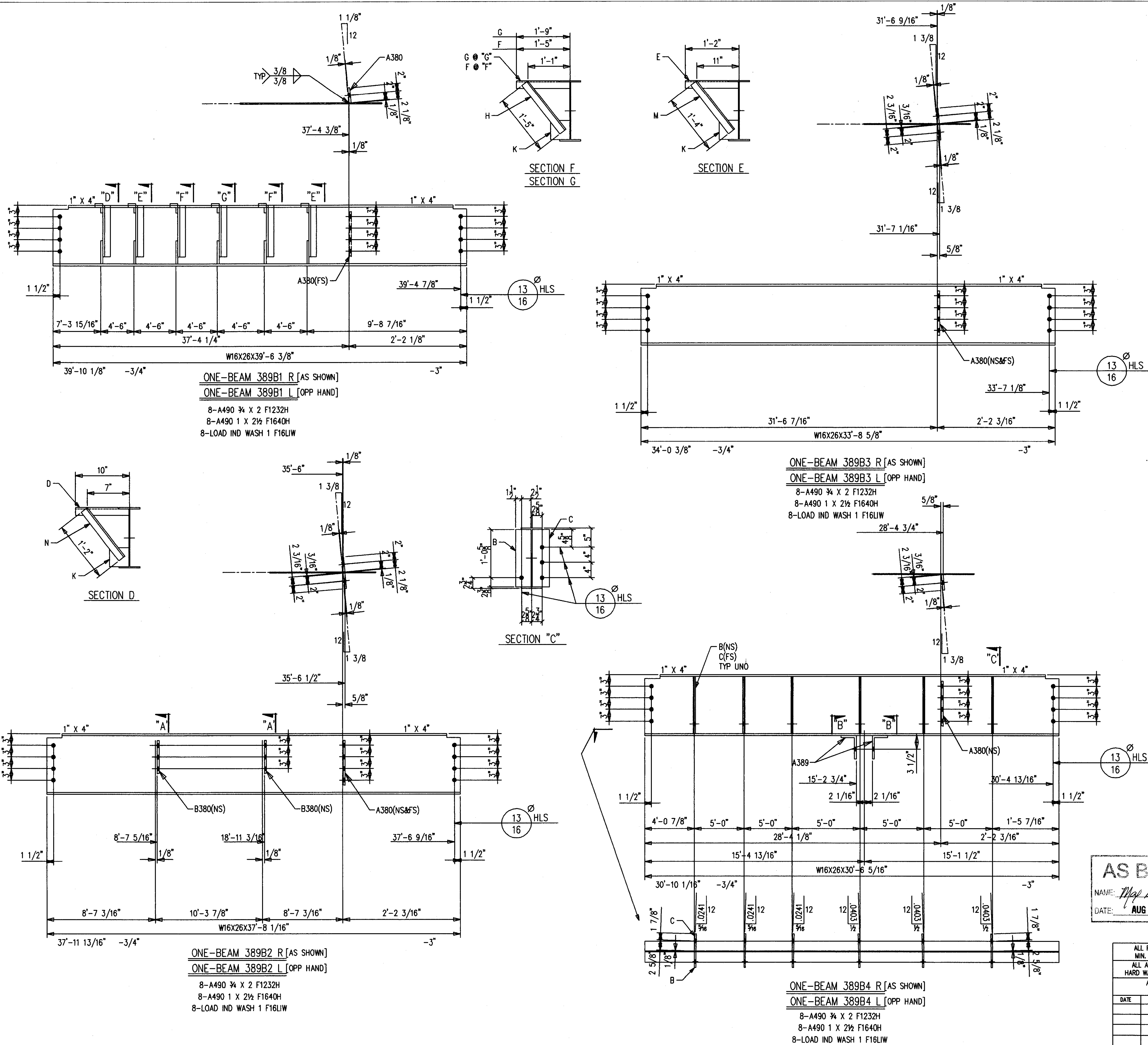
SHOP NOTE:  
 ALL STEEL GETS PRIMER ONLY

**AS BUILT**  
 NAME: *Walter P. Moore*  
 DATE: **AUG 16 1999**

ALL RE-ENTRANT CUTS MIN. 1/2" RAD. U/W	WELD ELECTRODE E70XX	DATE	FIELD
ALL A325 BOLTS w/ONE HARD WASH. AND HWY HEX NUT	DATE	SHOP	
ALL A307 BOLTS w/HEX NUT	DATE	APP	

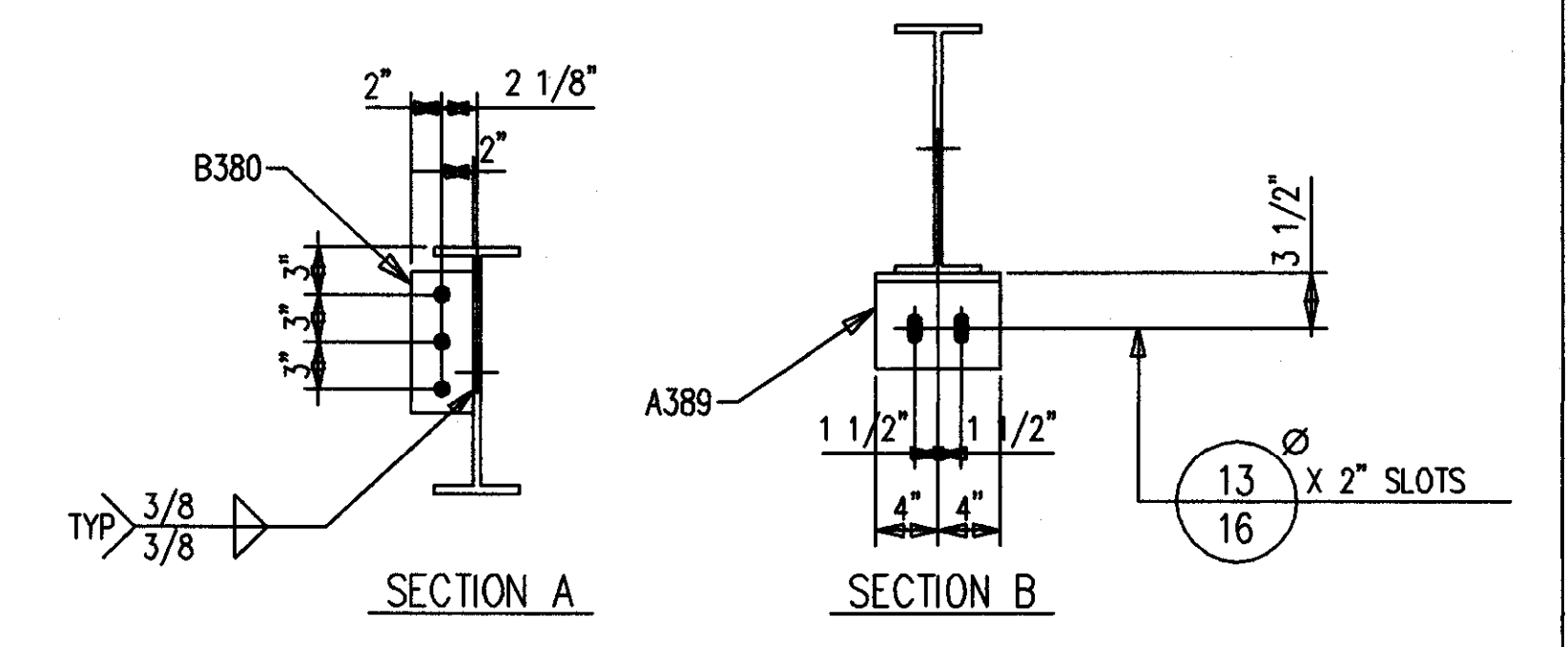
NO. DATE		REVISION DESCRIPTION		DRAW. L. CDR.
CONTRACTOR TO CHECK ALL DIMENSIONS AT JOB AS MID STATES STEEL PRODUCTS CO. ASSUMES NO RESPONSIBILITY FOR GENERAL BUILDING DIMENSIONS. NO BACK CHARGES PERTAINING TO THIS WORK WILL BE ACCEPTED WITHOUT PRIOR AUTHORIZATION BY MID STATES STEEL PRODUCTS CO.				
MATERIAL U/W	A36	DRAWN BY	DFD	JOB NAME
OPEN HOLES U/W	1 1/8" Ø	DATE	10/98	COMMONWEALTH STADIUM EXPANSION
WELD ELECTRODE U/W	E70XX	CHECKED BY	GCL	JOB LOCATION
SHOP PAINT	SEE SPECS	DATE	10/98	UNIVERSITY OF KENTUCKY
DRAWING TITLE	COLUMNS	CONTRACTOR	TURNER CONSTRUCTION COMPANY	
		ENGINEER	WALTER P. MOORE	
P.O. BOX 11128-2044 BUCK LANE LEXINGTON, KENTUCKY 40511 PHONE: 606-233-4344 FAX: 606-233-4346				ORDER NO. <b>P3524</b>
FABRICATORS OF STRUCTURAL AND MISCELLANEOUS STEEL				SHEET NO. <b>388</b>

BILL OF MATERIAL					
SHIP MARK SUB MARK	NO. PCS.	DESCRIPTION	LENGTH		REMARKS
			FT.	IN.	
388C1	4	COLUMNS			
388C1	4	TS6X6X1/2	10	5-3/8	SC2E
A388	4	FB3/4X6	2	2-1/2	P
B388	4	PL3/4X7-1/2	2	2-1/2	P
C388	8	PL1/2X13-1/8	1	4-9/16	P
388C2	2	COLUMNS			
388C2	2	TS6X6X1/2	11	11-3/8	SC2E
D388	2	FB3/4X6	0	10	P
E388	2	PL3/4X7-1/2	0	10	P
FIELD BOLTS					
F1648H	29	A490 1X3			
F16LIW	29	A LOAD IND 1			



**BILL OF MATERIAL**

SHIP MARK SUB MARK	NO. PCS.	DESCRIPTION	LENGTH		CL UST	REMARKS
			FT.	IN.		
389B1 L	ONE	BEAM				
389B1	1	W16X26 A572	39	6-3/8		P
A380	1	FBI/2X4	1	0		P
D389	1	L2X2X3/16	0	9-7/8		CTF
E389	2	L2X2X3/16	1	1-7/8		CTF
F389	2	L2X2X3/16	1	4-7/8		CTF
G389	1	L2X2X3/16	1	8-7/8		CTF
H389	3	L2X2X3/16	1	5		
K389	6	FB3/8X5	0	5		
M389	2	L2X2X3/16	1	4		
N389	1	L2X2X3/16	1	2		
389B1 R	ONE	BEAM				
389B1	1	W16X26 A572	39	6-3/8		P
A380	1	FBI/2X4	1	0		P
D389	1	L2X2X3/16	0	9-7/8		CTF
E389	2	L2X2X3/16	1	1-7/8		CTF
F389	2	L2X2X3/16	1	4-7/8		CTF
G389	1	L2X2X3/16	1	8-7/8		CTF
H389	3	L2X2X3/16	1	5		
K389	6	FB3/8X5	0	5		
M389	2	L2X2X3/16	1	4		
N389	1	L2X2X3/16	1	2		
389B2 L	ONE	BEAM				
389B2	1	W16X26 A572	37	8-1/16		P
A380	2	FBI/2X4	1	0		P
B380	2	FBI/2X4	0	9		P
389B2 R	ONE	BEAM				
389B2	1	W16X26 A572	37	8-1/16		P
A380	2	FBI/2X4	1	0		P
B380	2	FBI/2X4	0	9		P
389B3 L	ONE	BEAM				
389B3	1	W16X26 A572	33	8-5/8		P
A380	2	FBI/2X4	1	0		P
389B3 R	ONE	BEAM				
389B3	1	W16X26 A572	33	8-5/8		P
A380	2	FBI/2X4	1	0		P
389B4 L	ONE	BEAM				
389B4	1	W16X26	30	6-5/16		P
A380	1	FBI/2X4	1	0		P
A389	2	L6X4X5/16	0	8		P
B389	6	FB3/8X4	1	3		P
C389	6	FB3/8X4-1/2	1	3		P
389B4 R	ONE	BEAM				
389B4	1	W16X26	30	6-5/16		P
A380	1	FBI/2X4	1	0		P
A389	2	L6X4X5/16	0	8		P
B389	6	FB3/8X4	1	3		P
C389	6	FB3/8X4-1/2	1	3		P
F1232H	33	FIELD BOLTS				
F1640H	33	A490 3/4X2				
F16LIW	33	A LOAD IND 1				



**AS BUILT**  
 NAME: *Map Hughes*  
 DATE: **AUG 16 1999**

NO.	DATE	REVISION DESCRIPTION	BY	CHKD

CONTRACTOR TO CHECK ALL DIMENSIONS AT JOB AS MID STATES STEEL PRODUCTS CO. ASSUMES NO RESPONSIBILITY FOR GENERAL BUILDING DIMENSIONS. NO BACK CHARGES PERTAINING TO THIS WORK WILL BE ACCEPTED WITHOUT PRIOR AUTHORIZATION BY MID STATES STEEL PRODUCTS CO.

MATERIAL U/N	DATE	JOB NAME
A36	3-99	COMMONWEALTH STADIUM EXPANSION

WELD ELECTRODE U/N	CHECKED BY	CONTRACTOR
E70XX	GCL	TURNER CONSTRUCTION COMPANY

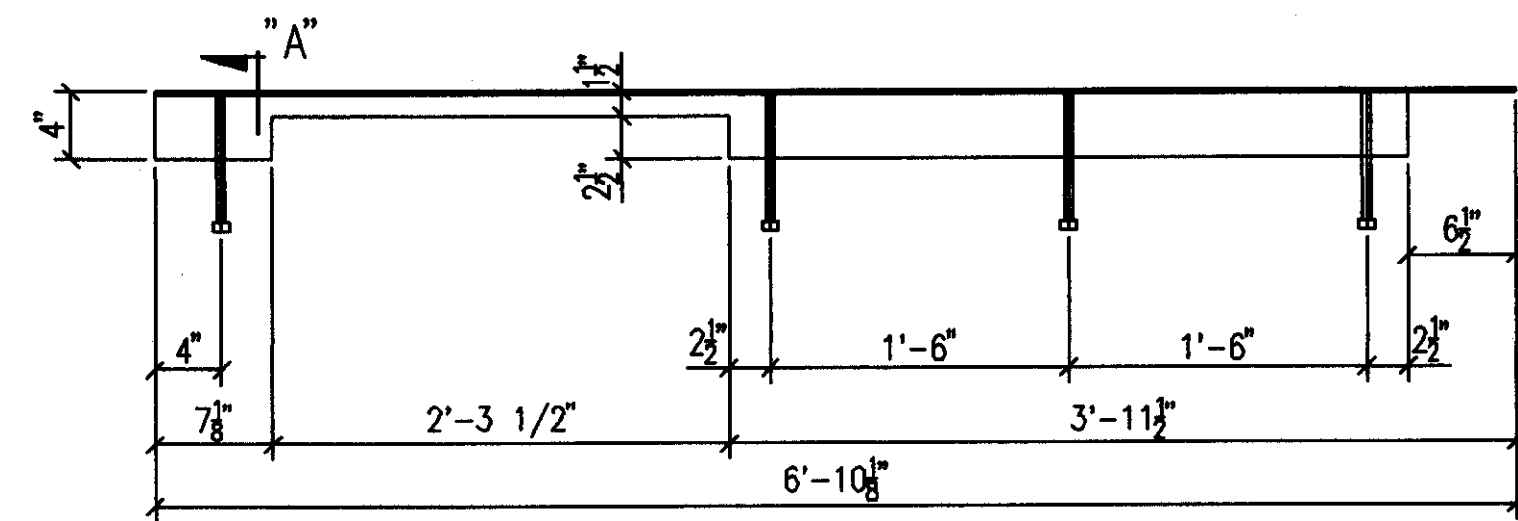
SHOP PAINT	DATE	ENGINEER
SEE SPECS	3-99	WALTER P. MOORE

DATE	APP	SHOP	FIELD

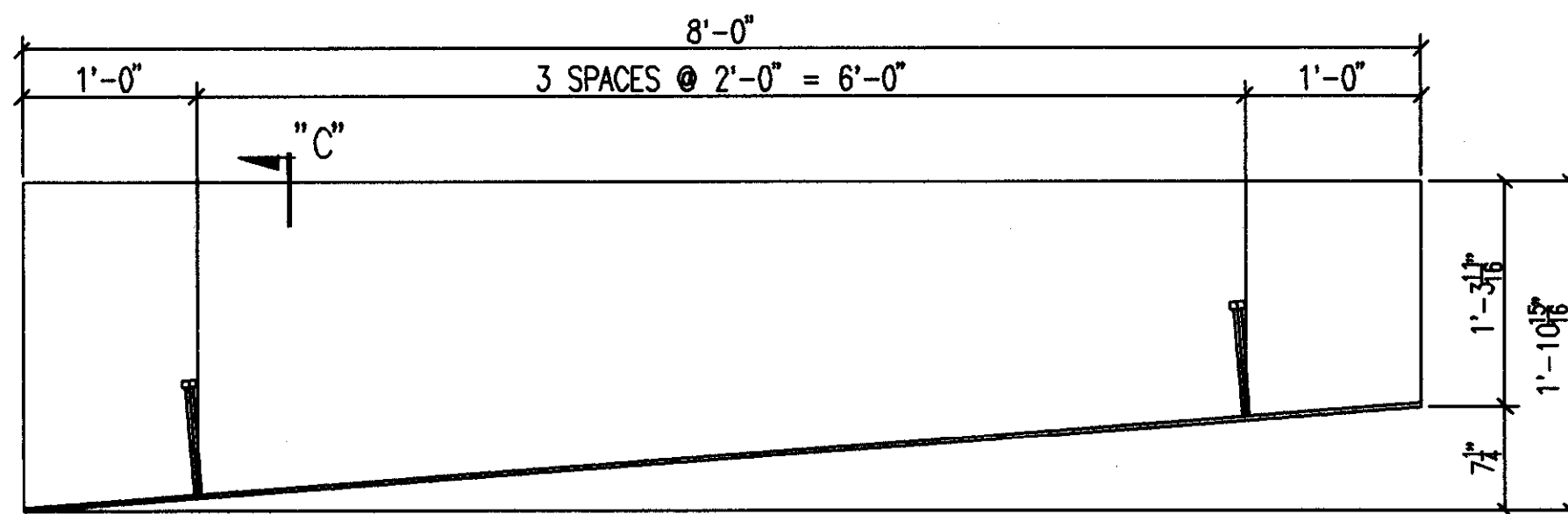
**MID STATES STEEL PRODUCTS CO.**  
 FABRICATORS OF STRUCTURAL AND MISCELLANEOUS STEEL

P.O. BOX 11128-2044 BUCK LANE  
 LEXINGTON, KENTUCKY 40511  
 PHONE: 606-233-4344 FAX: 606-233-4346

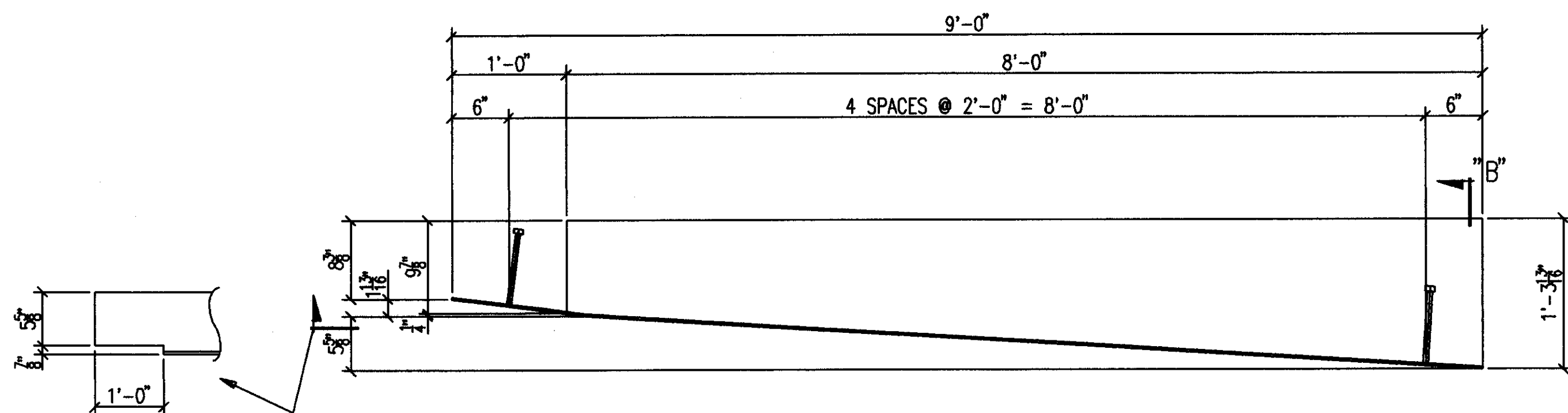
ORDER NO. **P3524**  
 SHEET NO. **389**



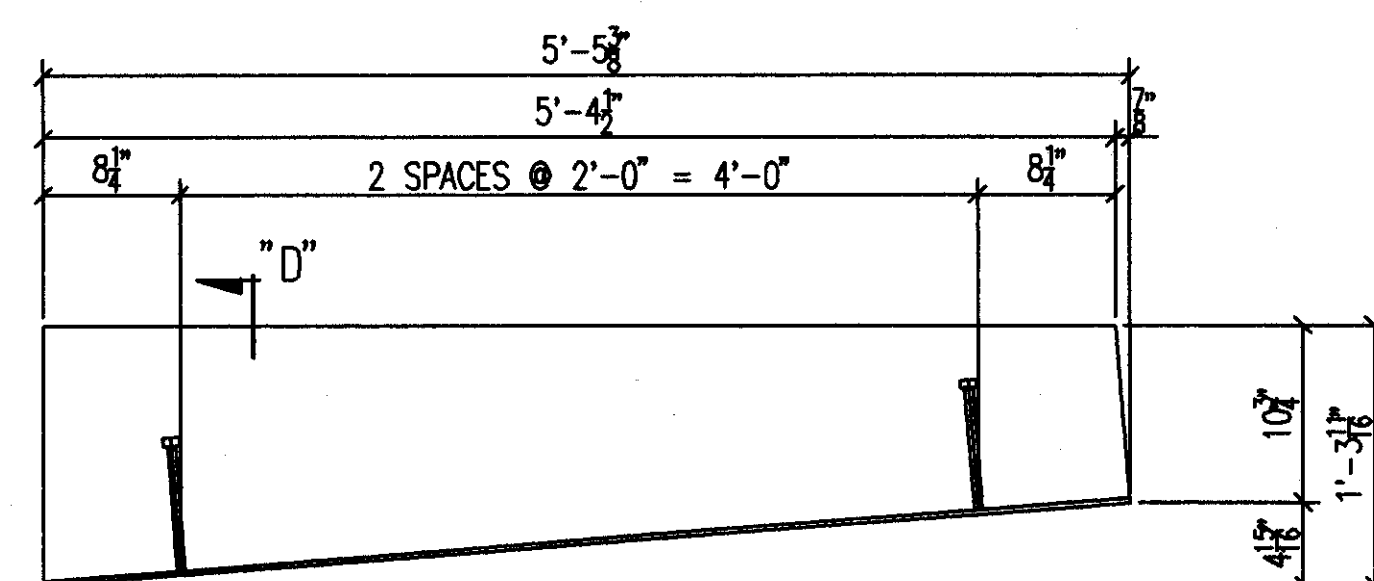
ONE-CURB PLATE 390M1 R [AS SHOWN]  
ONE-CURB PLATE 390M1 L [OPP HAND]



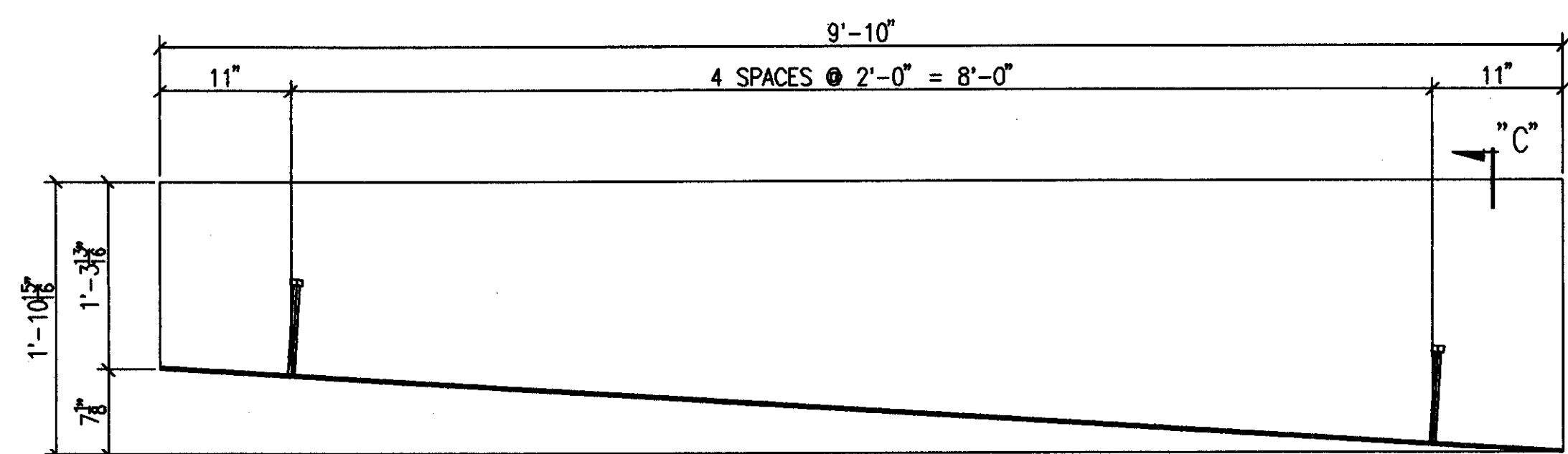
ONE-CURB PLATE 390M4 R [AS SHOWN]  
ONE-CURB PLATE 390M4 L [OPP HAND]



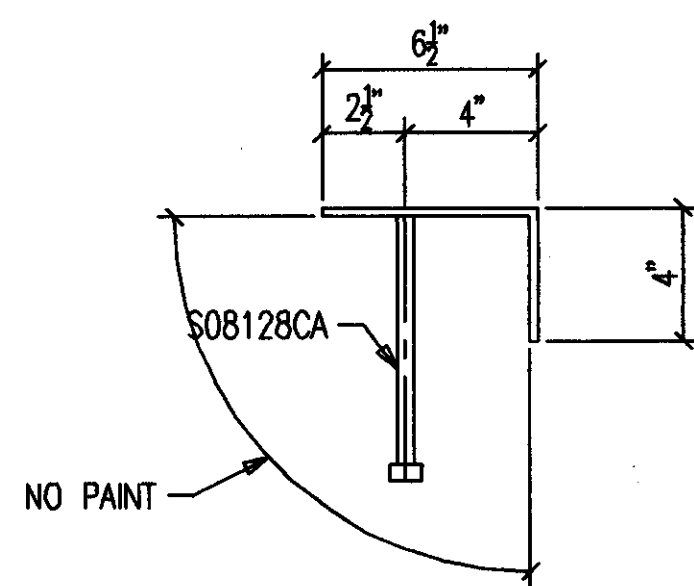
ONE-CURB PLATE 390M2 R [AS SHOWN]  
ONE-CURB PLATE 390M2 L [OPP HAND]



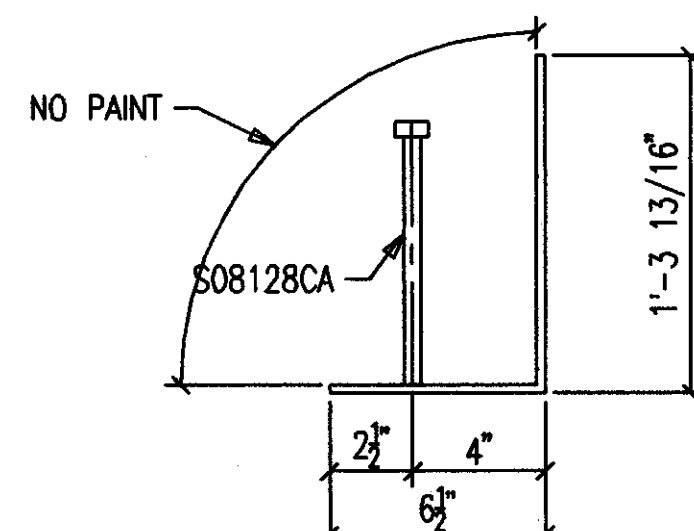
ONE-CURB PLATE 390M5 R [AS SHOWN]  
ONE-CURB PLATE 390M5 L [OPP HAND]



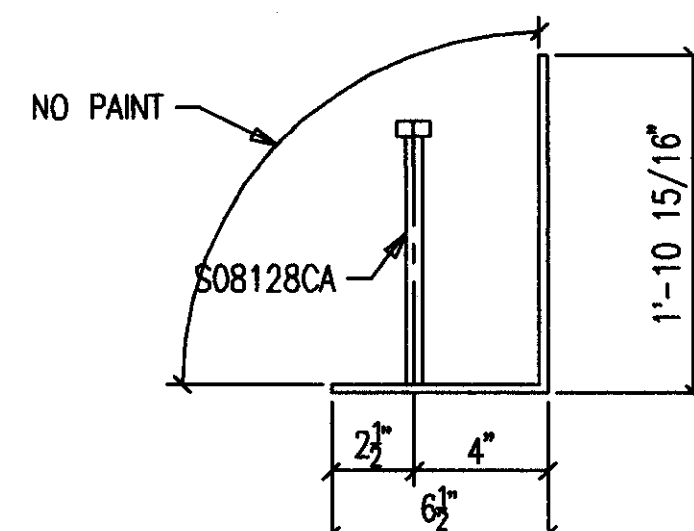
ONE-CURB PLATE 390M3 R [AS SHOWN]  
ONE-CURB PLATE 390M3 L [OPP HAND]



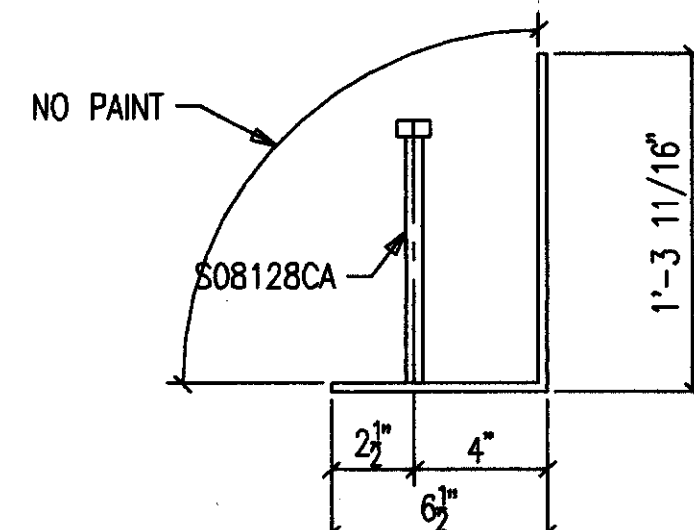
SECTION A



SECTION B



SECTION C



SECTION D

**AS BUILT**  
NAME: *Walter Moore*  
DATE: **AUG 16 1999**

ALL RE-ENTRANT CUTS MIN. 1/2" RAD. U/N	WELD ELECTRODE E70XX	DATE	ENGINEER
ALL A325 BOLTS w/ONE HARD WASH. AND HVY HEX NUT	SHOP PAINT SEE SPECS	DATE	ENGINEER
ALL A307 BOLTS w/HEX NUT	DRAWING TITLE	CURB PLATES @ SUITE LEVEL	
DATE	APP	SHOP	FIELD

CONTRACTOR TO CHECK ALL DIMENSIONS AT JOB AS MID STATES STEEL PRODUCTS CO. ASSUMES NO RESPONSIBILITY FOR GENERAL BUILDING DIMENSIONS. NO BACK CHARGES PERTAINING TO THIS WORK WILL BE ACCEPTED WITHOUT PRIOR AUTHORIZATION BY MID STATES STEEL PRODUCTS CO.

MATERIAL U/N A36  
OPEN HOLES U/N 13/16" Ø  
WELD ELECTRODE U/N E70XX  
SHOP PAINT SEE SPECS

DRAWN BY SC  
DATE 3/99  
JOB NAME COMMONWEALTH STADIUM EXPANSION  
JOB LOCATION UNIVERSITY OF KENTUCKY  
CONTRACTOR TURNER CONSTRUCTION COMPANY  
ENGINEER WALTER P. MOORE

2044 BUCK LANE  
LEXINGTON, KENTUCKY 40511  
PHONE: 606-233-4344 FAX: 606-233-4346

MID STATES STEEL PRODUCTS CO.  
FABRICATORS OF STRUCTURAL AND MISCELLANEOUS STEEL

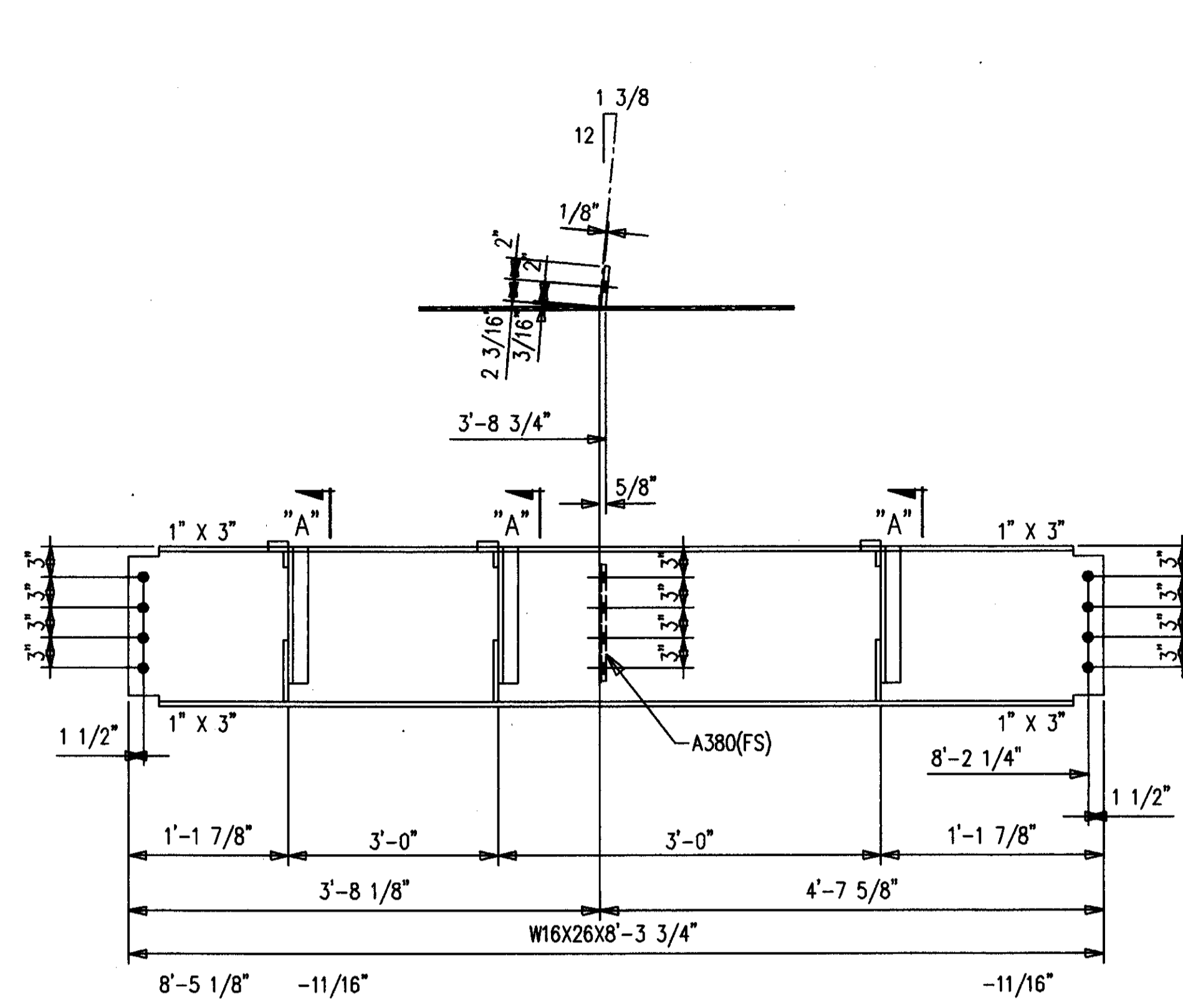
ORDER NO. P3522  
SHEET NO. 390

SHIP MARK SUB MARK	NO. PCS.	DESCRIPTION	LENGTH		CL UST	REMARKS
			FT.	IN.		
390M1 L	ONE	CURB PLATE				
390M1	1	PL 1/4X10	6	10-1/8		BENT
S08128CA	4	A STUD 1/2X8				
390M1 R	ONE	CURB PLATE				
390M1	1	PL 1/4X10	6	10-1/8		BENT
S08128CA	4	A STUD 1/2X8				
390M2 L	ONE	CURB PLATE				
390M2	1	PL 1/4X21-13/16	9	0		BENT
S08128CA	5	A STUD 1/2X8				
390M2 R	ONE	CURB PLATE				
390M2	1	PL 1/4X21-13/16	9	0		BENT
S08128CA	5	A STUD 1/2X8				
390M3 L	ONE	CURB PLATE				
390M3	1	PL 1/4X28-15/16	9	10		BENT
S08128CA	5	A STUD 1/2X8				
390M3 R	ONE	CURB PLATE				
390M3	1	PL 1/4X28-15/16	9	10		BENT
S08128CA	5	A STUD 1/2X8				
390M4 L	ONE	CURB PLATE				
390M4	1	PL 1/4X28-15/16	8	0		BENT
S08128CA	4	A STUD 1/2X8				
390M4 R	ONE	CURB PLATE				
390M4	1	PL 1/4X28-15/16	8	0		BENT
S08128CA	4	A STUD 1/2X8				
390M5 L	ONE	CURB PLATE				
390M5	1	PL 1/4X21-11/16	5	5-3/8		BENT
S08128CA	3	A STUD 1/2X8				
390M5 R	ONE	CURB PLATE				
390M5	1	PL 1/4X21-11/16	5	5-3/8		BENT
S08128CA	3	A STUD 1/2X8				

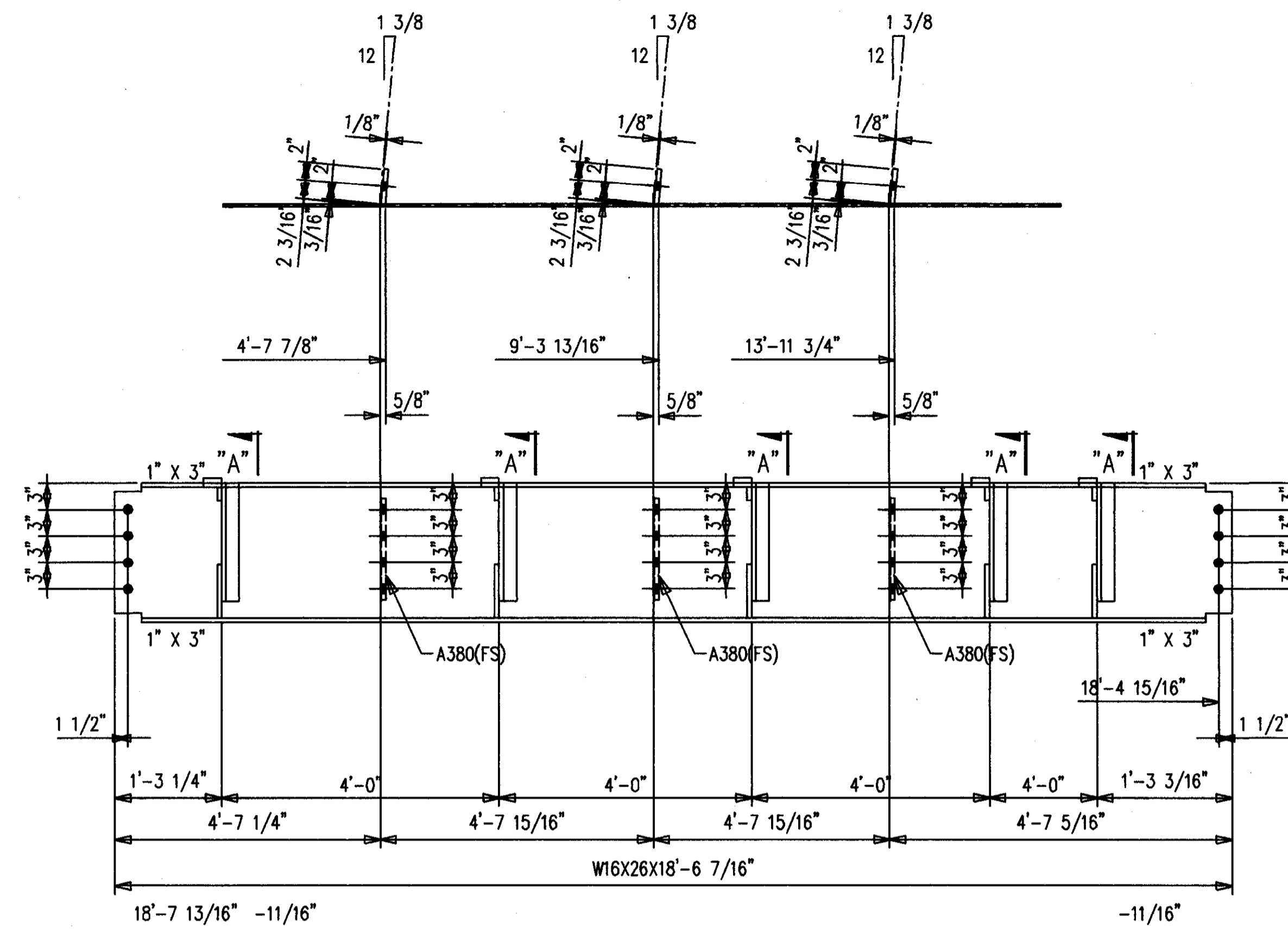
Document # 34766  
Cab # 206  
Slot D-1

BILL OF MATERIAL

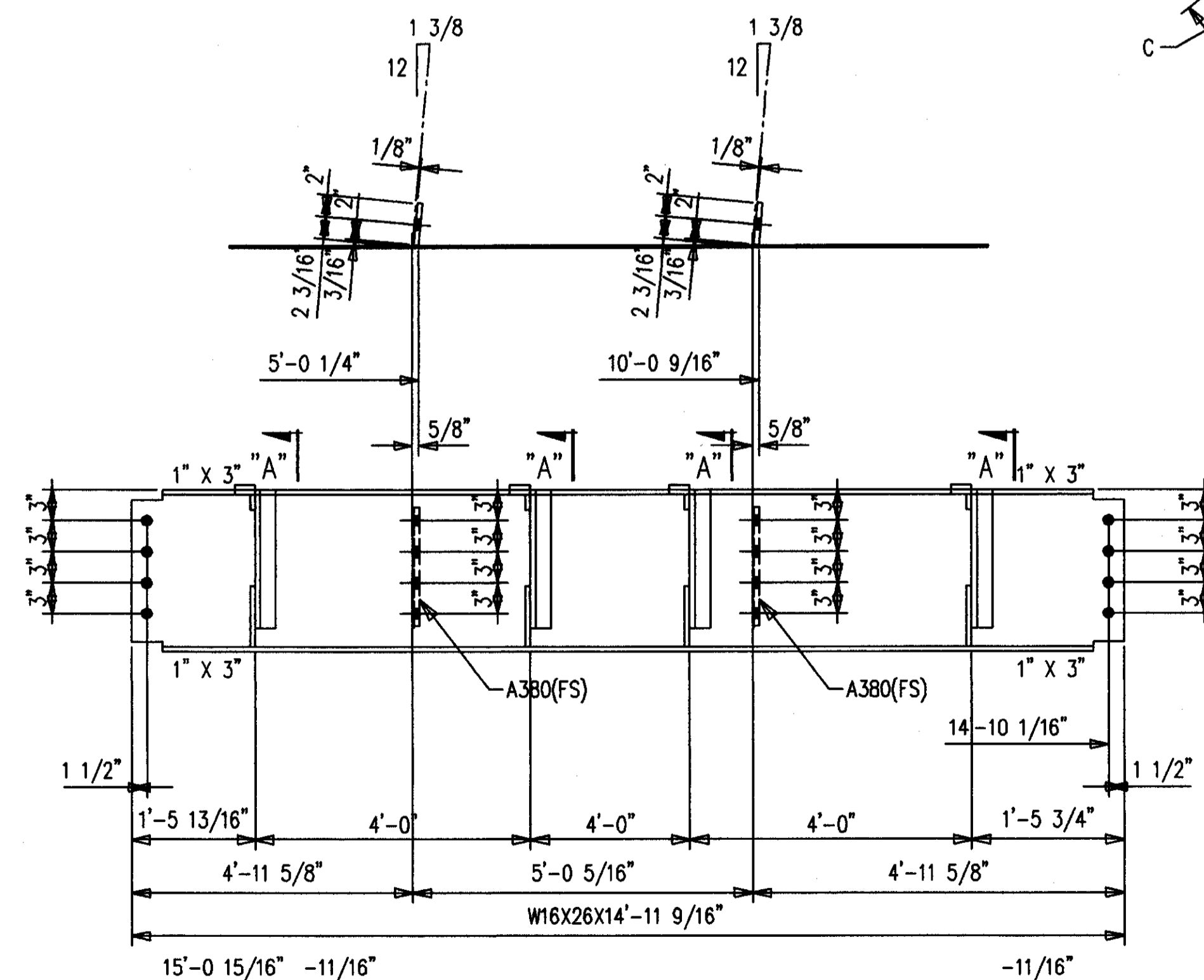
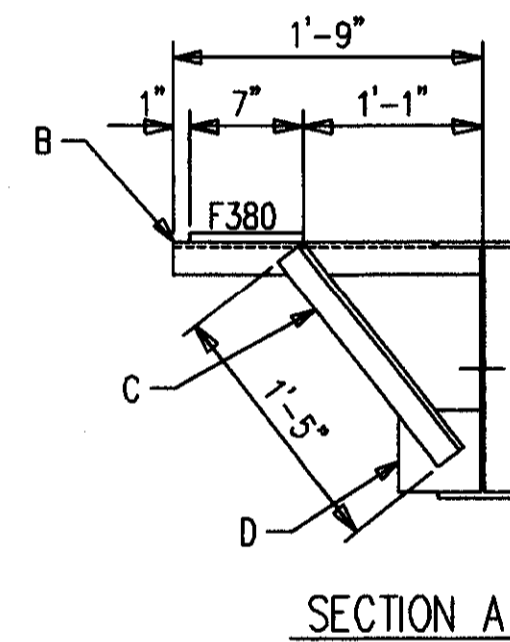
SHIP MARK SUB MARK	NO. PCS.	DESCRIPTION	LENGTH		CLUST	REMARKS
			FT.	IN.		
391B1 L	ONE	BEAM				
391B1	1	W16X26 A572	8	3-3/4	P	
A380	1	F81/2X4	1	0	P	
B391	3	L2X2X3/16	1	8-7/8	CTF	
C391	3	L2X2X3/16	1	5		
D391	3	F83/8X5	0	5		
F380	3	F83/8X2	0	7		
391B1 R	ONE	BEAM				
391B1	1	W16X26 A572	8	3-3/4	P	
A380	1	F81/2X4	1	0	P	
B391	3	L2X2X3/16	1	8-7/8	CTF	
C391	3	L2X2X3/16	1	5		
D391	3	F83/8X5	0	5		
F380	3	F83/8X2	0	7		
391B2 L	ONE	BEAM				
391B2	1	W16X26 A572	18	6-7/16	P	
A380	3	F81/2X4	1	0	P	
B391	5	L2X2X3/16	1	8-7/8	CTF	
C391	5	L2X2X3/16	1	5		
D391	5	F83/8X5	0	5		
F380	5	F83/8X2	0	7		
391B2 R	ONE	BEAM				
391B2	1	W16X26 A572	18	6-7/16	P	
A380	3	F81/2X4	1	0	P	
B391	5	L2X2X3/16	1	8-7/8	CTF	
C391	5	L2X2X3/16	1	5		
D391	5	F83/8X5	0	5		
F380	5	F83/8X2	0	7		
391B3 L	ONE	BEAM				
391B3	1	W16X26 A572	14	11-9/16	P	
A380	2	F81/2X4	1	0	P	
B391	4	L2X2X3/16	1	8-7/8	CTF	
C391	4	L2X2X3/16	1	5		
D391	4	F83/8X5	0	5		
F380	4	F83/8X2	0	7		
391B3 R	ONE	BEAM				
391B3	1	W16X26 A572	14	11-9/16	P	
A380	2	F81/2X4	1	0	P	
B391	4	L2X2X3/16	1	8-7/8	CTF	
C391	4	L2X2X3/16	1	5		
D391	4	F83/8X5	0	5		
F380	4	F83/8X2	0	7		
391B4	2	BEAMS				
391B4	2	W12X16 A572	4	6-11/16	P	
391B5	2	BEAMS				
391B5	2	W12X16 A572	4	6-11/16	P	
F1640H	73	FIELD BOLTS				
F16LW	73	A490 1X2-1/2 A LOAD IND 1				



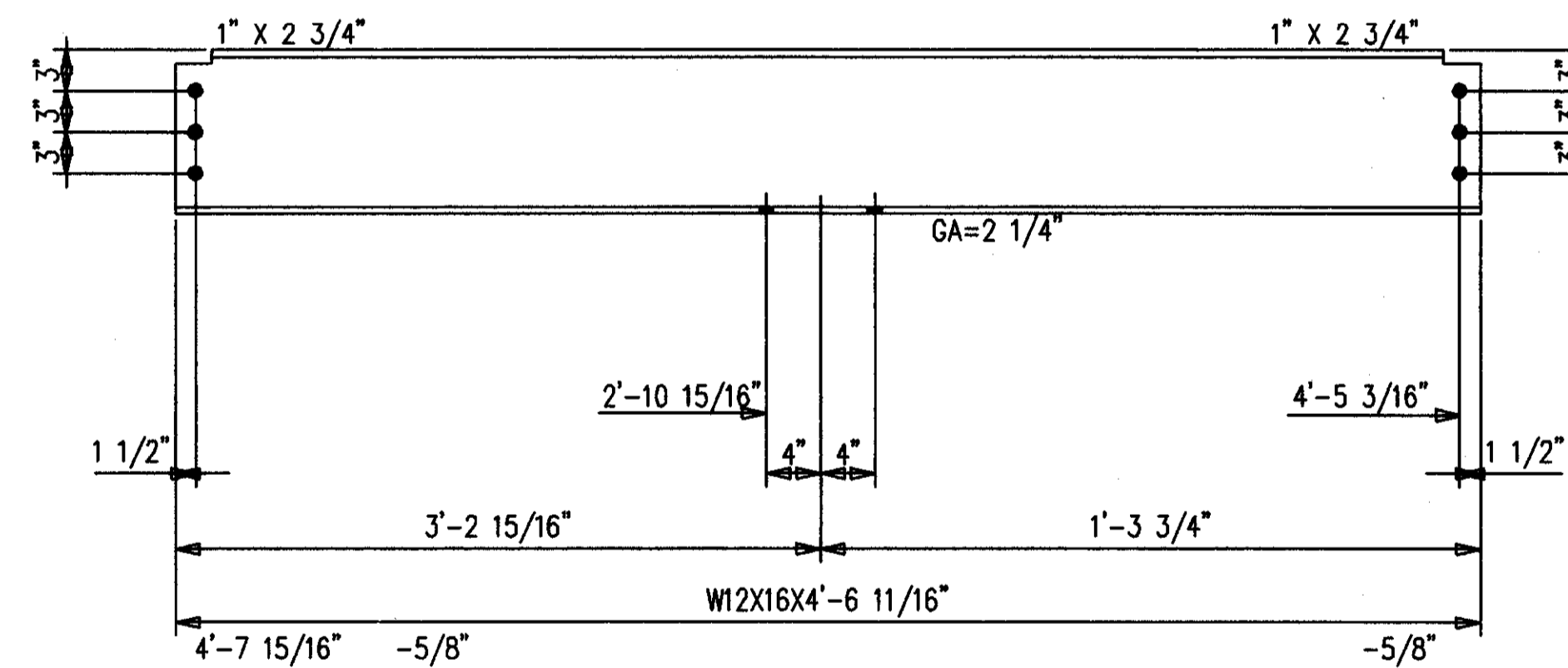
ONE-BEAM 391B1 R [AS SHOWN]  
ONE-BEAM 391B1 L [OPP HAND]  
16-A490 1 X 2 1/2 F1640H  
16-LOAD IND WASH 1 F16LW



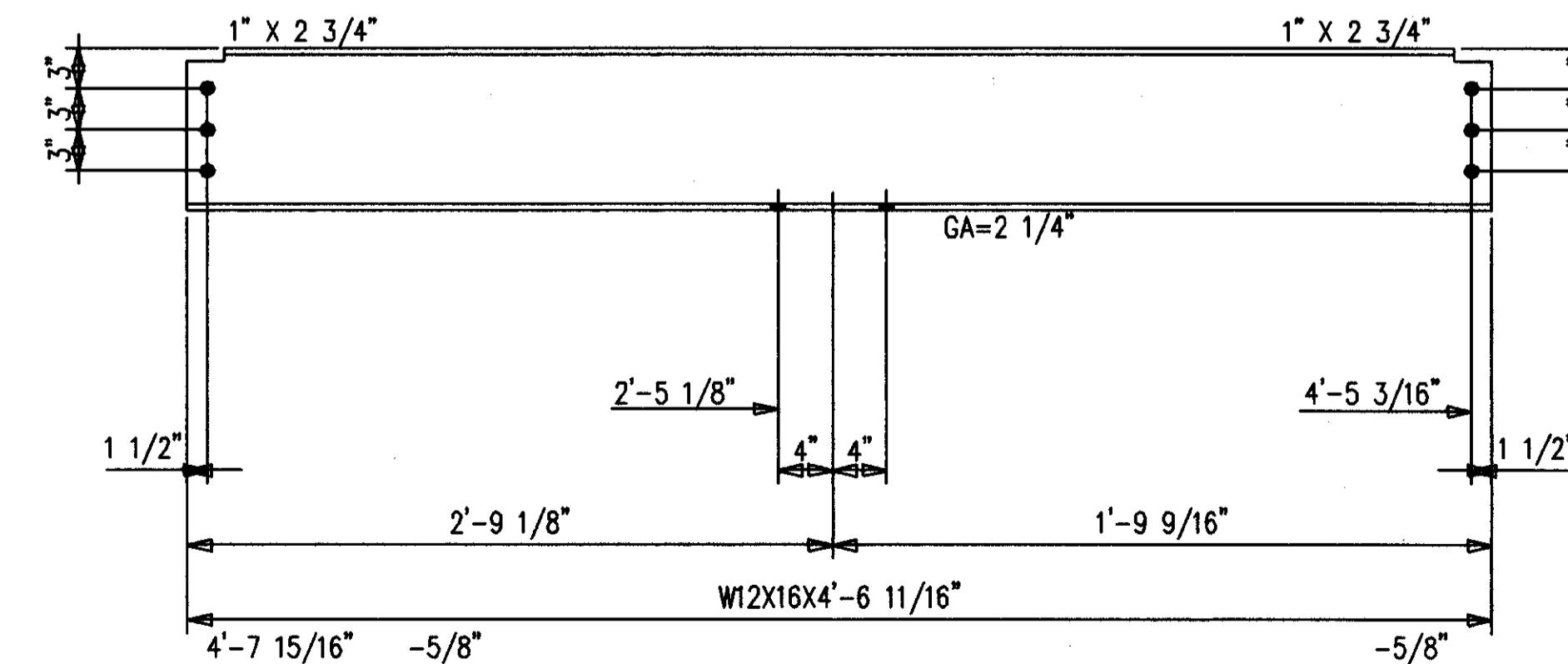
ONE-BEAM 391B2 R [AS SHOWN]  
ONE-BEAM 391B2 L [OPP HAND]  
16-A490 1 X 2 1/2 F1640H  
16-LOAD IND WASH 1 F16LW



ONE-BEAM 391B3 R [AS SHOWN]  
ONE-BEAM 391B3 L [OPP HAND]  
16-A490 1 X 2 1/2 F1640H  
16-LOAD IND WASH 1 F16LW



2-BEAMS 391B4  
12-A490 1 X 2 1/2 F1640H  
12-LOAD IND WASH 1 F16LW



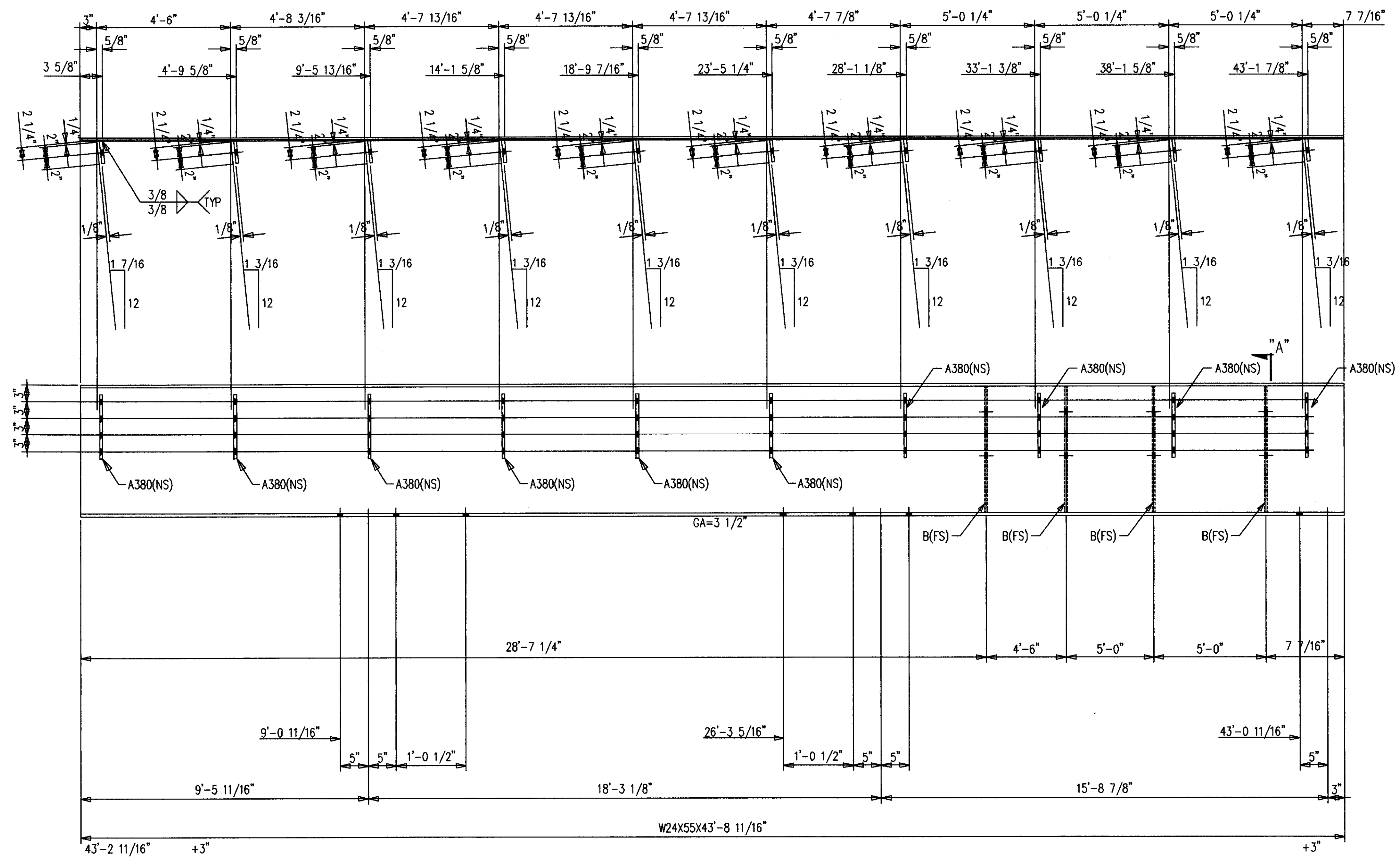
2-BEAMS 391B5  
12-A490 1 X 2 1/2 F1640H  
12-LOAD IND WASH 1 F16LW

**AS BUILT**  
NAME: *Map Hughes*  
DATE: **AUG 16 1999**

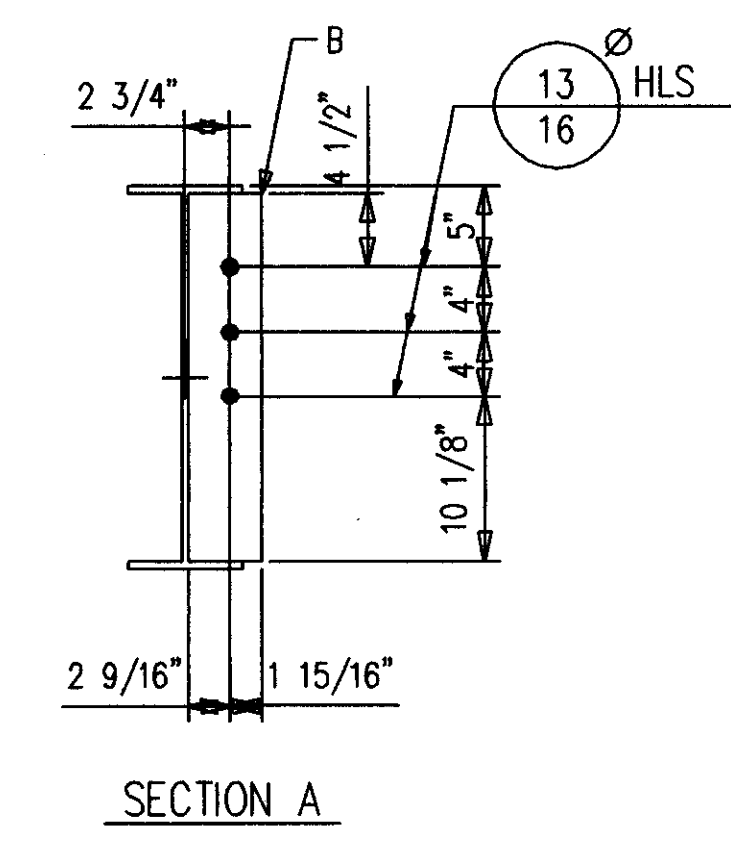
ALL RE-ENTRANT CUTS MIN. 1/2" RAD. U/W ALL A325 BOLTS W/ONE HARD WASH. AND HVY HEX NUT ALL A307 BOLTS W/HEX NUT	WELD ELECTRODE E70XX DATE 3-99 CHECKED BY GCL ENGINEER WALTER P. MOORE	MATERIAL A36 OPEN HOLES 1 1/16" Ø	JOB NAME COMMONWEALTH STADIUM EXPANSION JOB LOCATION UNIVERSITY OF KENTUCKY CONTRACTOR TURNER CONSTRUCTION COMPANY ENGINEER WALTER P. MOORE	ORDER NO. P3524 SHEET NO. 391
MID STATES STEEL PRODUCTS CO. FABRICATORS OF STRUCTURAL AND MISCELLANEOUS STEEL			P.O. BOX 11128-2044 BUCK LANE LEXINGTON, KENTUCKY 40511 PHONE: 606-233-4344 FAX: 606-233-4346	

BILL OF MATERIAL

SHIP MARK SUB MARK	NO. PCS.	DESCRIPTION	LENGTH		CL UNIT	REMARKS
			FT.	IN.		
392B1 L	ONE	BEAM				
392B1	1	W24X55 A572	43	8-11/16		P
A380	10	FBI/2X4	1	0		P
B380	4	FB3/8X4-1/2	1	10-5/8		P
392B1 R	ONE	BEAM				
392B1	1	W24X55 A572	43	8-11/16		P
A380	10	FBI/2X4	1	0		P
B380	4	FB3/8X4-1/2	1	10-5/8		P
		FIELD BOLTS				
F1648H	21	A490 1X3				
F16LIW	21	A LOAD IND 1				



ONE-BEAM 392B1 R [AS SHOWN]  
 ONE-BEAM 392B1 L [OPP HAND]  
 28-A490 1 X 3 F1648H  
 28-LOAD IND WASH 1 F16LIW

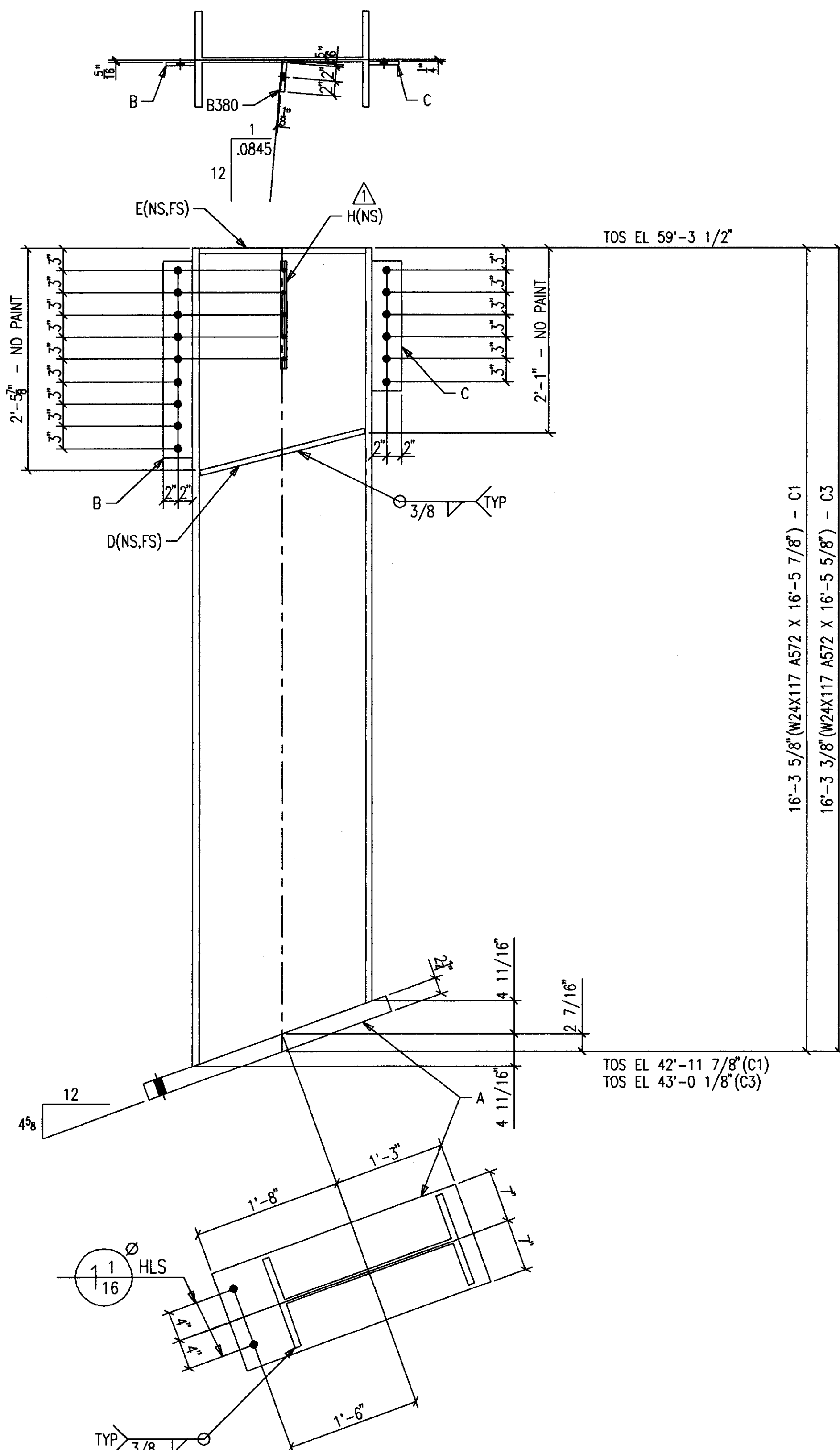


**AS BUILT**  
 NAME: *M. Hughes*  
 DATE: **AUG 16 1999**

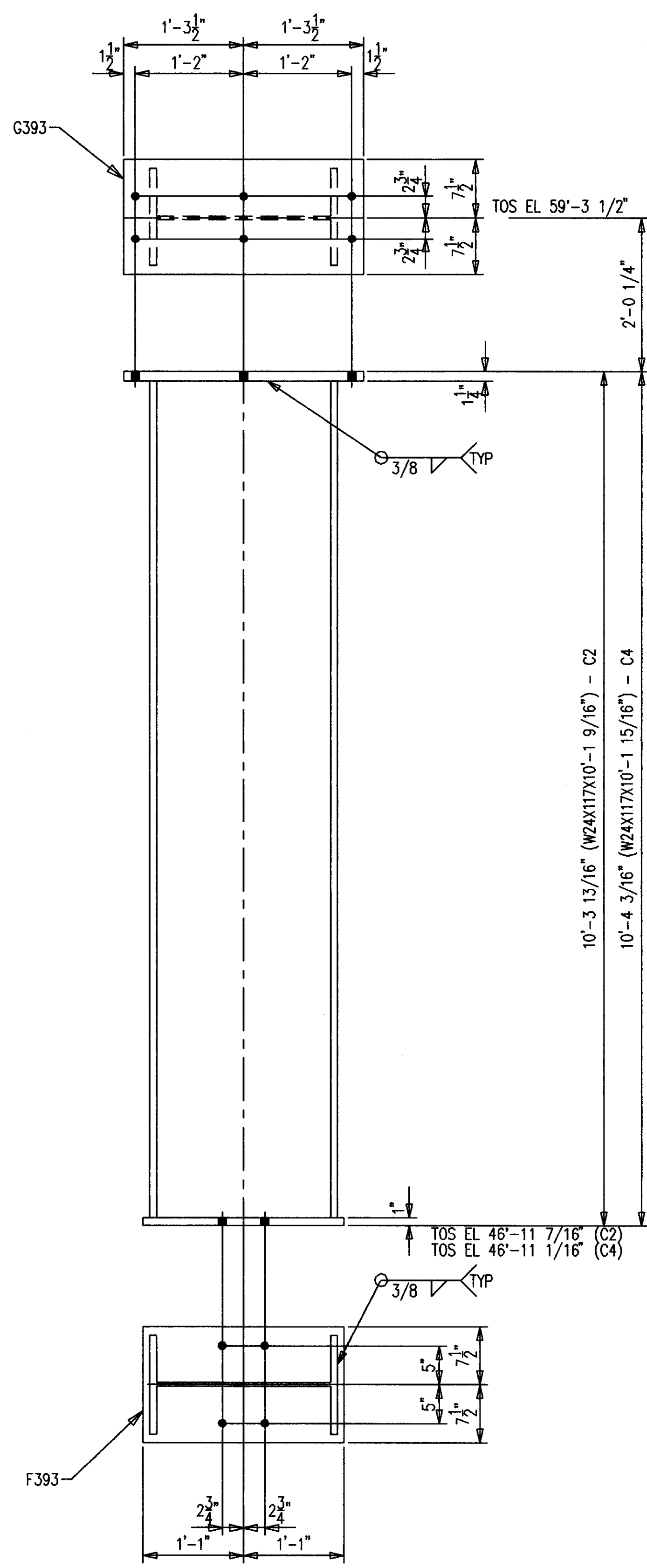
DATE	APP	SHOP	FIELD

NO. DATE		REVISION DESCRIPTION		DWN	LDG
CONTRACTOR TO CHECK ALL DIMENSIONS AT JOB AS MID STATES STEEL PRODUCTS CO. ASSUMES NO RESPONSIBILITY FOR GENERAL BUILDING DIMENSIONS. NO BACK CHARGES PERTAINING TO THIS WORK WILL BE ACCEPTED WITHOUT PRIOR AUTHORIZATION BY MID STATES STEEL PRODUCTS CO.					
MATERIAL U/N	A36	DRAWN BY	KMP	JOB NAME	COMMONWEALTH STADIUM EXPANSION
OPEN HOLES U/N	1 1/16" Ø	DATE	3-99	JOB LOCATION	UNIVERSITY OF KENTUCKY
WELD ELECTRODE U/N	E70XX	CHECKED BY	GCL	CONTRACTOR	TURNER CONSTRUCTION COMPANY
SHOP PAINT	SEE SPECS	DATE	3-99	ENGINEER	WALTER P. MOORE
DRAWING TITLE: BEAMS					
MID STATES STEEL PRODUCTS CO. FABRICATORS OF STRUCTURAL AND MISCELLANEOUS STEEL				P.O. BOX 11128-2044 BUCK LANE LEXINGTON, KENTUCKY 40511 PHONE: 606-233-4344 FAX: 606-233-4346	
ORDER NO. P3524				SHEET NO. 392	

Document # 34768  
 Cab # 810c  
 206 D-1



ONE-COLUMN 393C1 [AS SHOWN]  
ONE-COLUMN 393C3 [OPP HAND & AS NOTED]



ONE-COLUMN 393C2  
ONE-COLUMN 393C4

BILL OF MATERIAL

SHIP MARK SUB MARK	NO. PCS.	DESCRIPTION	LENGTH		CL LIST	REMARKS
			FT.	IN.		
393C1	ONE	COLUMN				
393C1	1	W24X117 A572	16	5-7/8		BC1E
A393	1	PL2-1/4X14	2	11		P
H380	1	FB1/2X4	1	2-1/2		P
B393	1	FB1/2X4	2	3		P
C393	1	FB1/2X4	1	6		P
D393	2	PL3/4X6-1/8	1	10-3/4		STIFF
E393	2	PL3/4X6-1/8	1	10-1/2		STIFF
393C2	ONE	COLUMN				
393C2	1	W24X117 A572	10	1-9/16		SC2E
F393	1	PL1X15	2	2		P
G393	1	PL1-1/4X15	2	7		P
393C3	ONE	COLUMN				
393C3	1	W24X117 A572	16	5-5/8		BC1E
A393	1	PL2-1/4X14	2	11		P
H380	1	FB1/2X4	1	2-1/2		P
B393	1	FB1/2X4	2	3		P
C393	1	FB1/2X4	1	6		P
D393	2	PL3/4X6-1/8	1	10-3/4		STIFF
E393	2	PL3/4X6-1/8	1	10-1/2		STIFF
393C4	ONE	COLUMN				
393C4	1	W24X117 A572	10	1-15/16		SC2E
F393	1	PL1X15	2	2		P
G393	1	PL1-1/4X15	2	7		P
		FIELD BOLTS				
F1656H	9	A490 1X3-1/2				
F16LIW	9	A LOAD IND 1				

SHOP NOTES:  
1. PRIMER ONLY 3" AROUND ALL HOLES UNLESS NOTED PF(PRIMER/FINISH).  
2. P=PRIMER ONLY AS DIMENSIONED.  
3. NP=NO PAINT IN 3" WIDE STRIP, CENTER OF BEAM, FULL LENGTH.

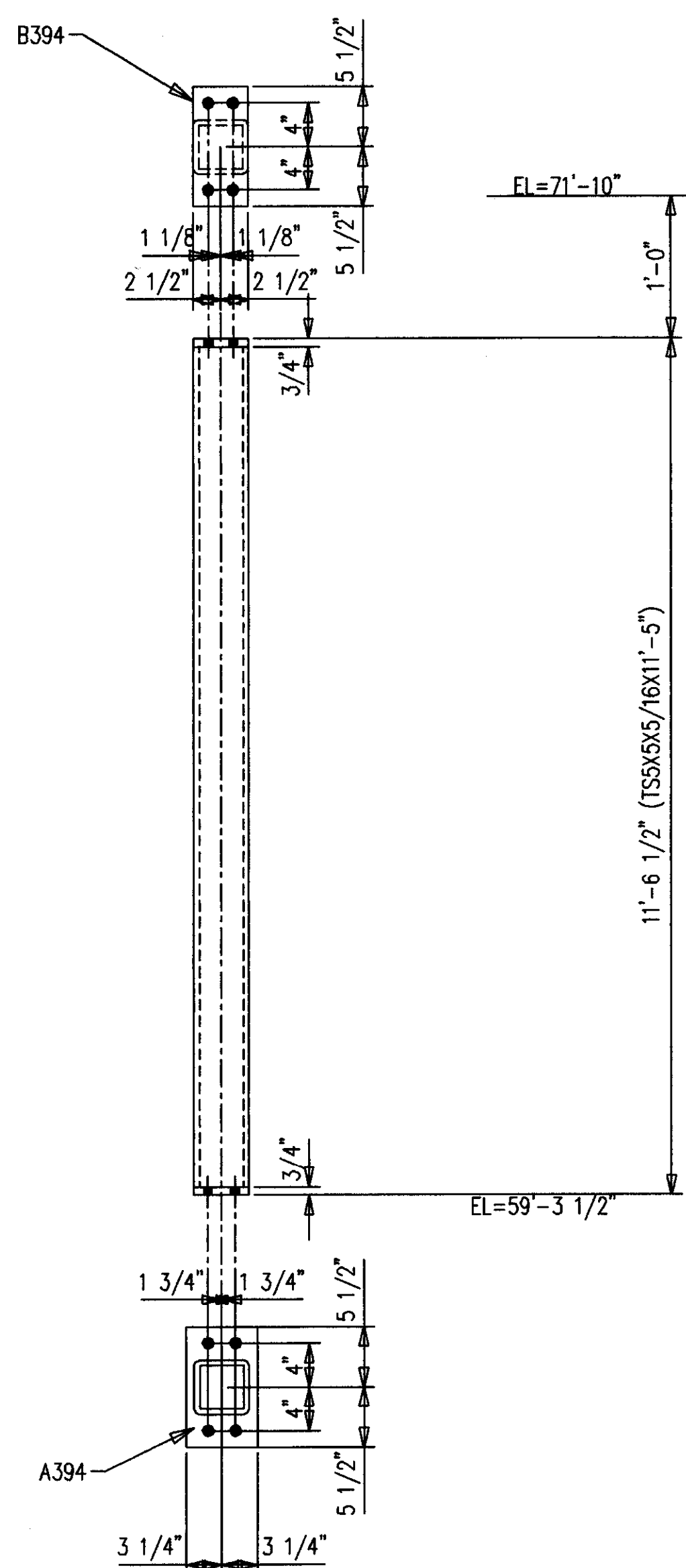
AS BUILT  
NAME: *Map Hughes*  
DATE: AUG 16 1999

ALL RE-ENTRANT CUTS MIN. 1/2" RAD. U/N	WELD ELECTRODE U/N E70XX	CHECKED BY GCL	CONTRACTOR TURNER CONSTRUCTION COMPANY
ALL A325 BOLTS w/ONE HARD WASH. AND HVY HEX NUT	SHOP PAINT SEE SPECS	DATE 3/99	ENGINEER WALTER P. MOORE
ALL A307 BOLTS w/HEX NUT	DRAWING TITLE COLUMNS		
DATE	APP	SHOP	FIELD

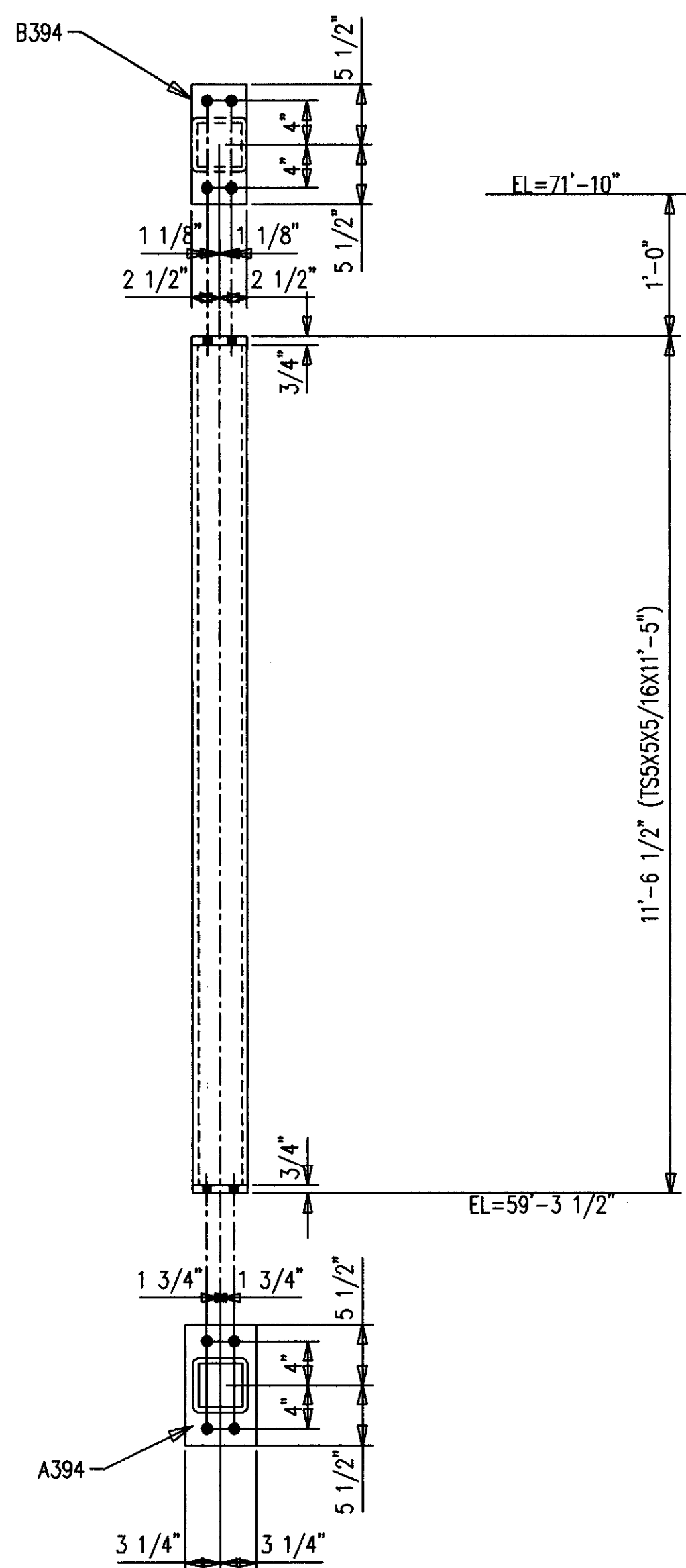
2044 BUCK LANE  
LEXINGTON, KENTUCKY 40511  
PHONE: 606-233-4344 FAX: 606-233-4346

ORDER NO. P3524  
SHEET NO. 393

FABRICATORS OF STRUCTURAL AND MISCELLANEOUS STEEL



2-COLUMNS 394C1  
 8-A490 1 X 2 3/4 F1644H  
 8-LOAD IND WASH 1 F16LW



2-COLUMNS 394C2  
 8-A490 1 X 2 3/4 F1644H  
 8-LOAD IND WASH 1 F16LW

BILL OF MATERIAL

SHIP MARK SUB MARK	NO. PCS.	DESCRIPTION	LENGTH		C U S T	REMARKS
			FT.	IN.		
394C1	2	COLUMN				
394C1	2	TS5X5X5/16	11	5		SC2E
A394	2	PL3/4X6-1/2	0	11		P
B394	2	FB3/4X5	0	11		P
394C2	2	COLUMN				
394C2	2	TS5X5X5/16	11	5		SC2E
A394	2	PL3/4X6-1/2	0	11		P
B394	2	FB3/4X5	0	11		P
394D1	4	DIAGONALS				
394D1	4	RB3/4	15	0		PLAIN
394M1	8	PLATES				
394M1	8	FB1/2X4	0	4		PLAIN
		FIELD BOLTS				
F1644H	17	A490 1X2-3/4				
F16LW	17	A LOAD IND 1				

AS BUILT  
 NAME: *Map Hughes*  
 DATE: AUG 16 1999

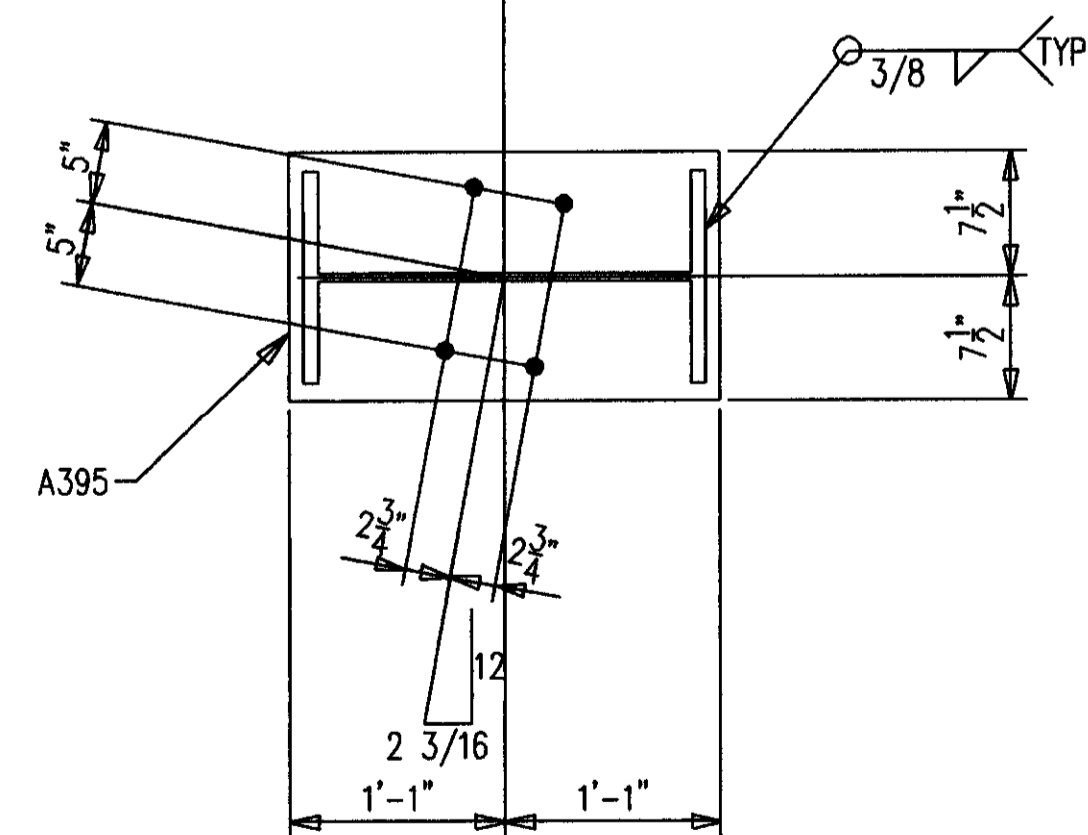
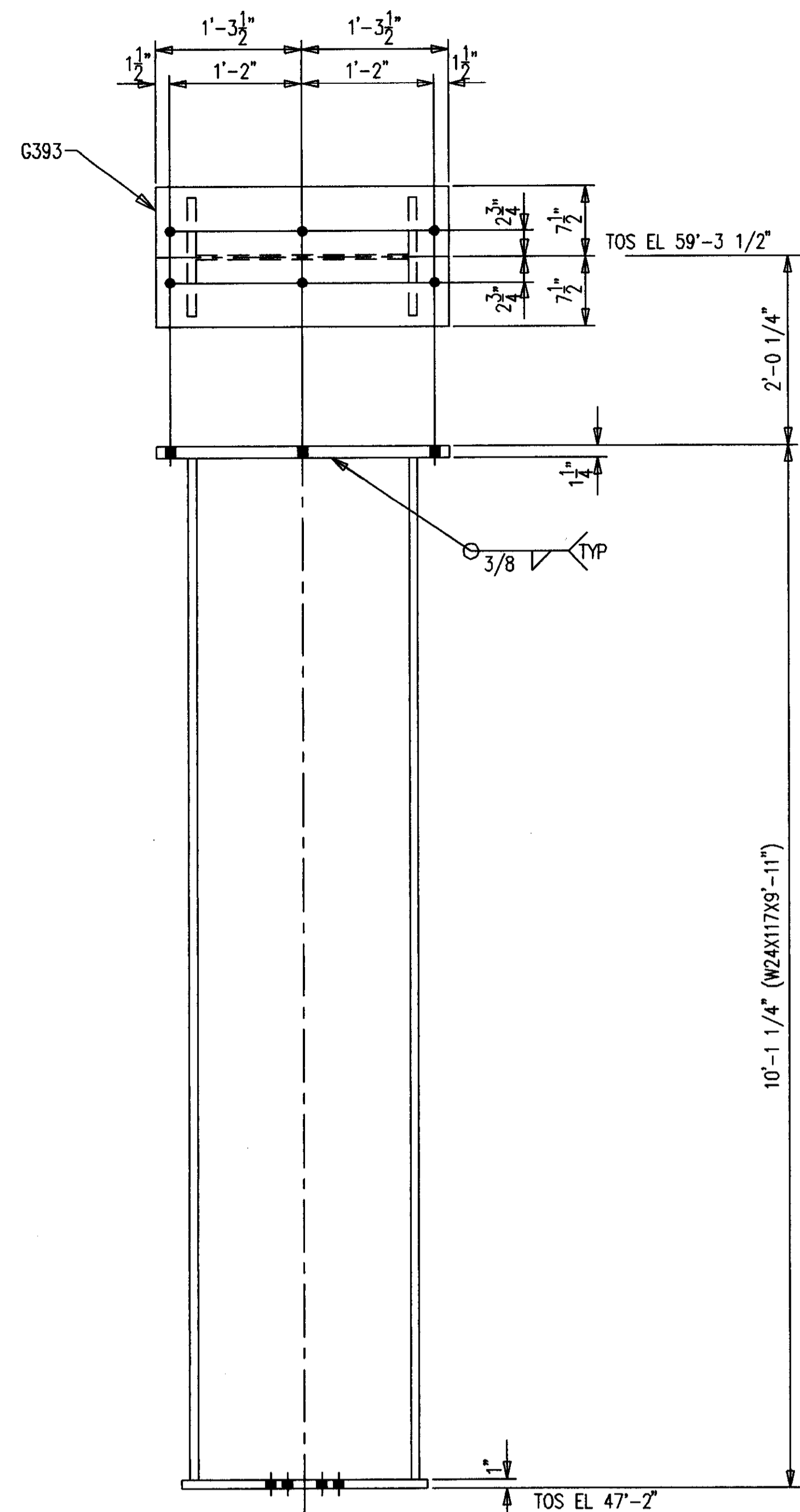
NO.	DATE	REVISION DESCRIPTION	DWN	CRD	
CONTRACTOR TO CHECK ALL DIMENSIONS AT JOB AS MID STATES STEEL PRODUCTS CO. ASSUMES NO RESPONSIBILITY FOR GENERAL BUILDING DIMENSIONS. NO BACK CHARGES PERTAINING TO THIS WORK WILL BE ACCEPTED WITHOUT PRIOR AUTHORIZATION BY MID STATES STEEL PRODUCTS CO.					
MATERIAL U/N	A36	DRAWN BY	KMP	JOB NAME	COMMONWEALTH STADIUM EXPANSION
OPEN HOLES U/N	1 1/16" Ø	DATE	3-99	JOB LOCATION	UNIVERSITY OF KENTUCKY
WELD ELECTRODE U/N	E70XX	CHECKED BY	GCL	CONTRACTOR	TURNER CONSTRUCTION COMPANY
SHOP PAINT	SEE SPECS	DATE	3-99	ENGINEER	WALTER P. MOORE
ALL RE-ENTRANT CUTS MIN. 1/2" RAD. U/N		DRAWING TITLE			BEAMS
ALL A325 BOLTS w/ONE HARD WASH. AND HVY HEX NUT		DATE			
ALL A307 BOLTS w/HEX NUT		DATE			

DATE	APP	SHOP	FIELD

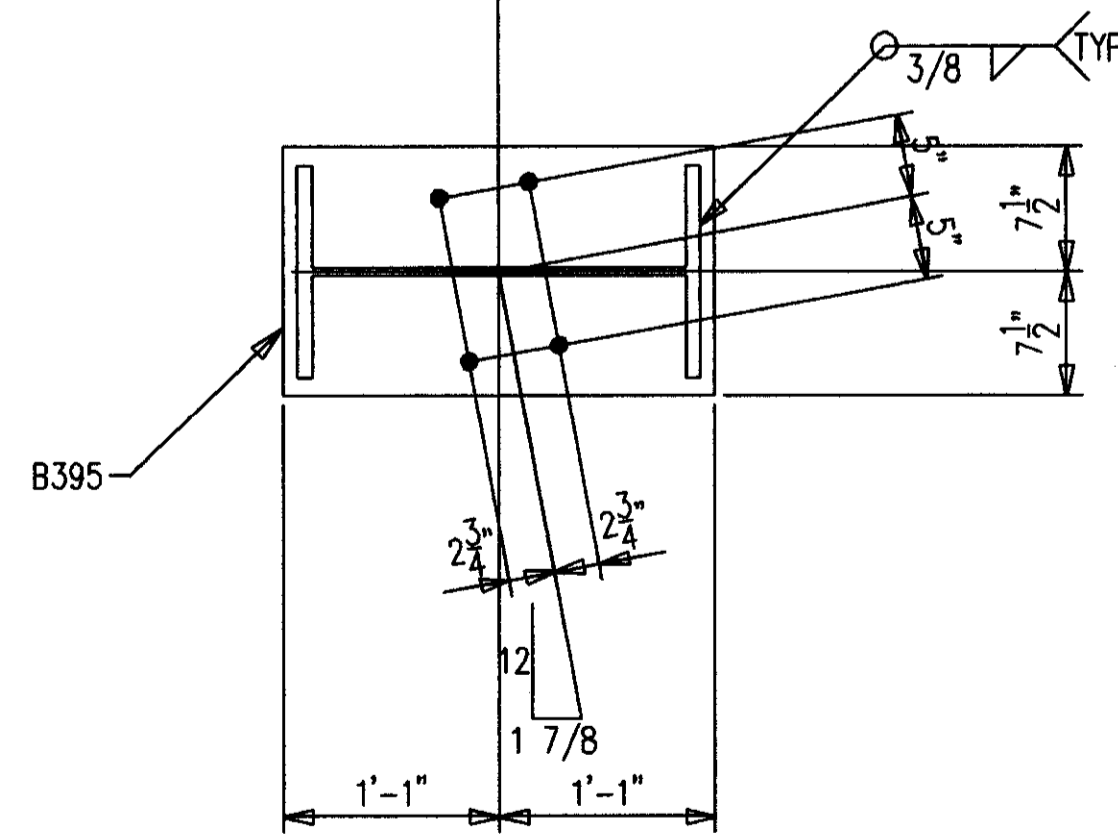
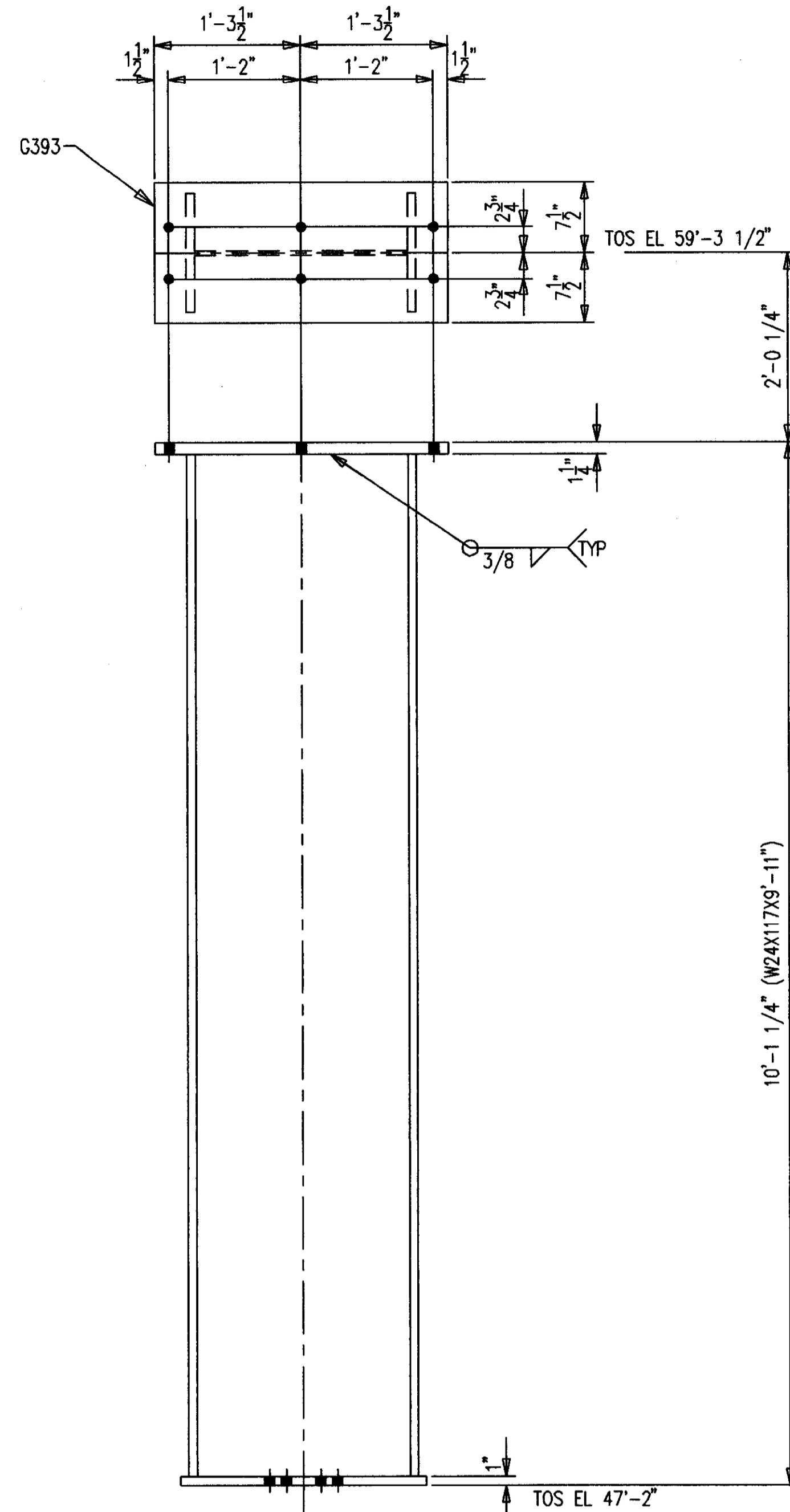
MID STATES STEEL PRODUCTS CO.  
 FABRICATORS OF STRUCTURAL AND MISCELLANEOUS STEEL  
 P.O. BOX 11128-2044 BUCK LANE  
 LEXINGTON, KENTUCKY 40511  
 PHONE: 606-233-4344 FAX: 606-233-4346

ORDER NO.  
 P3524  
 SHEET NO.  
 394





ONE-COLUMN 395C1  
 4-A490 1 X 3 1/2 F1656H  
 4-LOAD IND WASH 1 F16LIW



ONE-COLUMN 395C2  
 4-A490 1 X 3 1/2 F1656H  
 4-LOAD IND WASH 1 F16LIW

### BILL OF MATERIAL

SHIP MARK SUB MARK	NO. PCS.	DESCRIPTION	LENGTH		C L I S T	REMARKS
			FT.	IN.		
395C1	ONE	COLUMN				
395C1	1	W24X117 A572	9	11		SC2E
A395	1	PL1X15	2	2		P
G393	1	PL1-1/4X15	2	7		P
395C2	ONE	COLUMN				
395C2	1	W24X117 A572	9	11		SC2E
B395	1	PL1X15	2	2		P
G393	1	PL1-1/4X15	2	7		P
		FIELD BOLTS				
F1656H	9	A490 1X3-1/2				
F16LIW	9	A LOAD IND 1				

SHOP NOTES:  
 1. PRIMER ONLY 3" AROUND ALL HOLES UNLESS NOTED PF(PRIMER/FINISH).  
 2. P=PRIMER ONLY AS DIMENSIONED.  
 3. NP=NO PAINT IN 3" WIDE STRIP, CENTER OF BEAM, FULL LENGTH.

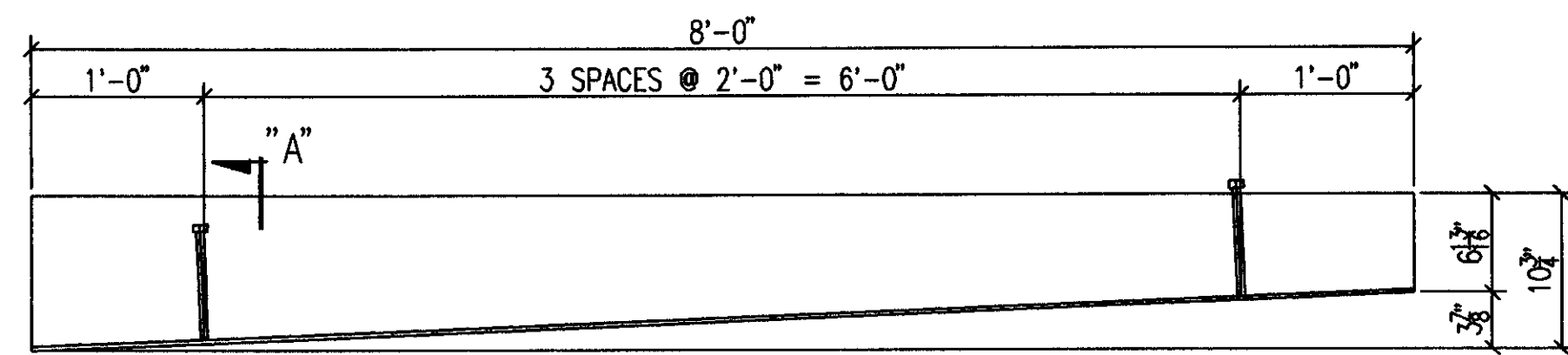
**AS BUILT**  
 NAME: *Max Hughes*  
 DATE: **AUG 16 1999**

DATE	APP	SHOP	FIELD

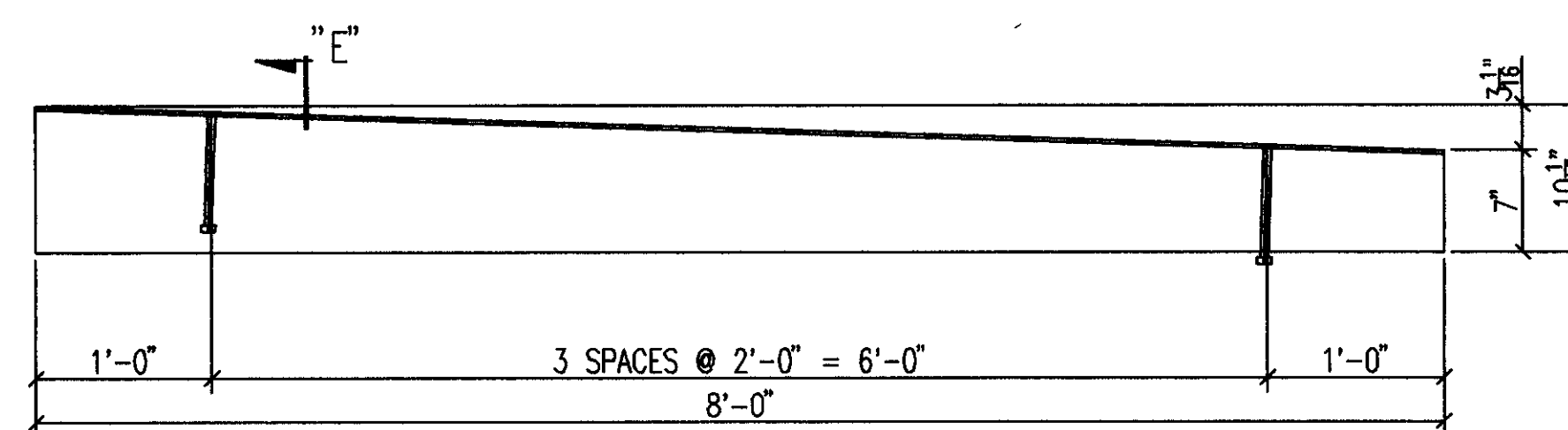
CONTRACTOR TO CHECK ALL DIMENSIONS AT JOB AS MID STATES STEEL PRODUCTS CO. ASSUMES NO RESPONSIBILITY FOR GENERAL BUILDING DIMENSIONS. NO BACK CHARGES PERTAINING TO THIS WORK WILL BE ACCEPTED WITHOUT PRIOR AUTHORIZATION BY MID STATES STEEL PRODUCTS CO.		NO.	DATE	REVISION DESCRIPTION	DATE	BY
MATERIAL U/N	A36	DRAWN BY	KP	JOB NAME	COMMONWEALTH STADIUM EXPANSION	
OPEN HOLES U/N	1 1/16" Ø	DATE	3/99	JOB LOCATION	UNIVERSITY OF KENTUCKY	
WELD ELECTRODE U/N	E70XX	CHECKED BY	GCL	CONTRACTOR	TURNER CONSTRUCTION COMPANY	
SHOP PAINT	SEE SPECS	DATE	3/99	ENGINEER	WALTER P. MOORE	
ALL A307 BOLTS W/HEX NUT		DRAWING TITLE	COLUMNS			
2044 BUCK LANE LEXINGTON, KENTUCKY 40511 PHONE: 606-233-4344 FAX: 606-233-4346				ORDER NO.	P3524	
FABRICATORS OF STRUCTURAL AND MISCELLANEOUS STEEL				SHEET NO.	395	

BILL OF MATERIAL

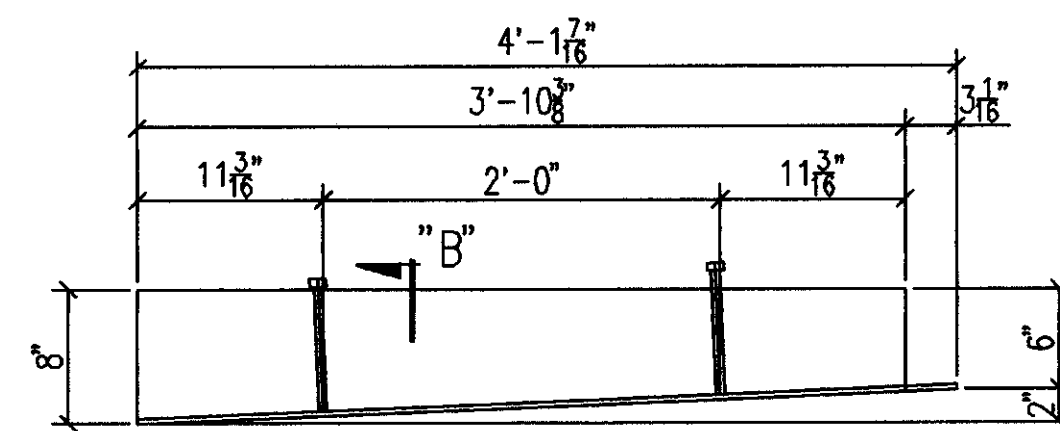
SHIP MARK SUB MARK	NO. PCS.	DESCRIPTION	LENGTH		C L I S T	REMARKS
			FT.	IN.		
396M1 L	ONE	CURB PLATE				
396M1	1	PL1/4X16-3/4	8	0		BENT
S08128CA	4	A STUD 1/2X8				
396M1 R	ONE	CURB PLATE				
396M1	1	PL1/4X16-3/4	8	0		BENT
S08128CA	4	A STUD 1/2X8				
396M2 L	ONE	CURB PLATE				
396M2	1	PL1/4X14	4	1-7/16		BENT
S08128CA	2	A STUD 1/2X8				
396M2 R	ONE	CURB PLATE				
396M2	1	PL1/4X14	4	1-7/16		BENT
S08128CA	2	A STUD 1/2X8				
396M3	2	CURB PLATES				
396M3	2	PL1/4X7	4	4		BENT
S08128CA	6	A STUD 1/2X8				
396M4 L	ONE	CURB PLATE				
396M4	1	PL1/4X19	7	7-3/8		BENT
S08128CA	3	A STUD 1/2X8				
396M4 R	ONE	CURB PLATE				
396M4	1	PL1/4X19	7	7-3/8		BENT
S08128CA	3	A STUD 1/2X8				
396M5 L	2	CURB PLATES				
396M5	2	PL1/4X16-1/16	8	0		BENT
S08128CA	8	A STUD 1/2X8				
396M5 R	2	CURB PLATES				
396M5	2	PL1/4X16-1/16	8	0		BENT
S08128CA	8	A STUD 1/2X8				
396M6 L	ONE	CURB PLATE				
396M6	1	PL1/4X19-1/4	8	2-3/8		BENT
S08128CA	4	A STUD 1/2X8				
396M6 R	ONE	CURB PLATE				
396M6	1	PL1/4X19-1/4	8	2-3/8		BENT
S08128CA	4	A STUD 1/2X8				



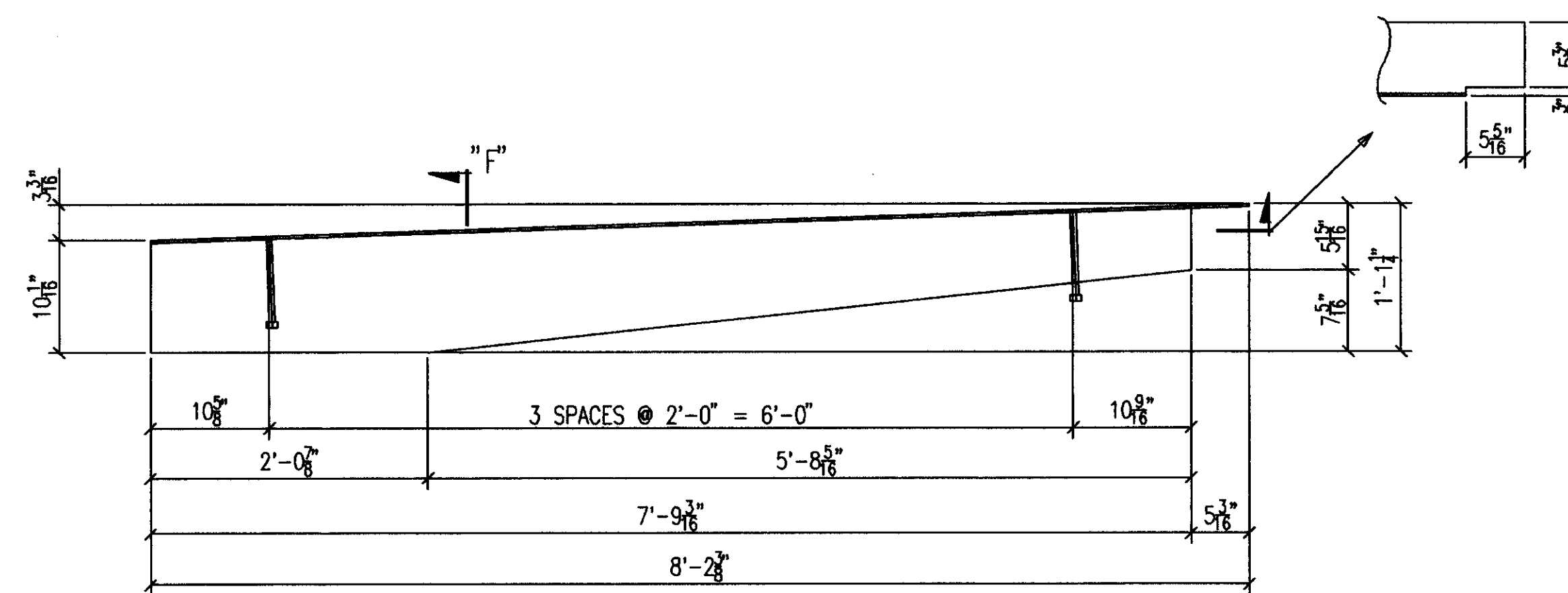
ONE-CURB PLATE 396M1 R [AS SHOWN]  
ONE-CURB PLATE 396M1 L [OPP HAND]



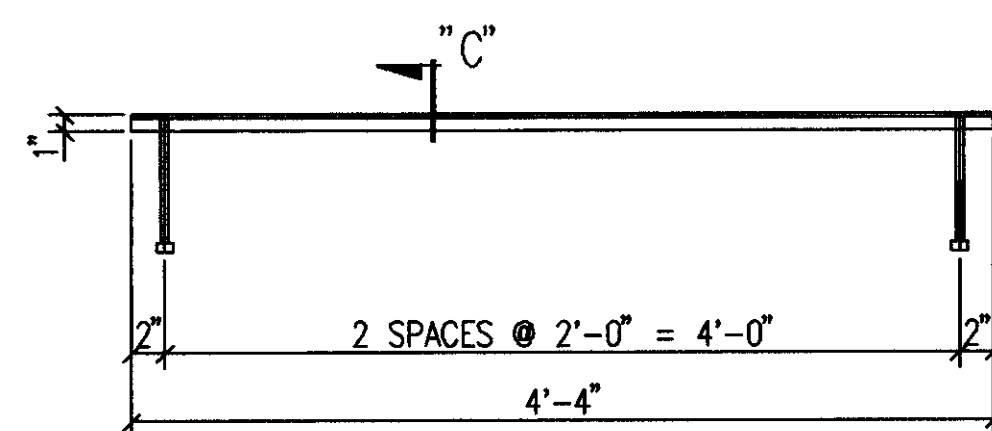
2-CURB PLATES 396M5 R [AS SHOWN]  
2-CURB PLATES 396M5 L [OPP HAND]



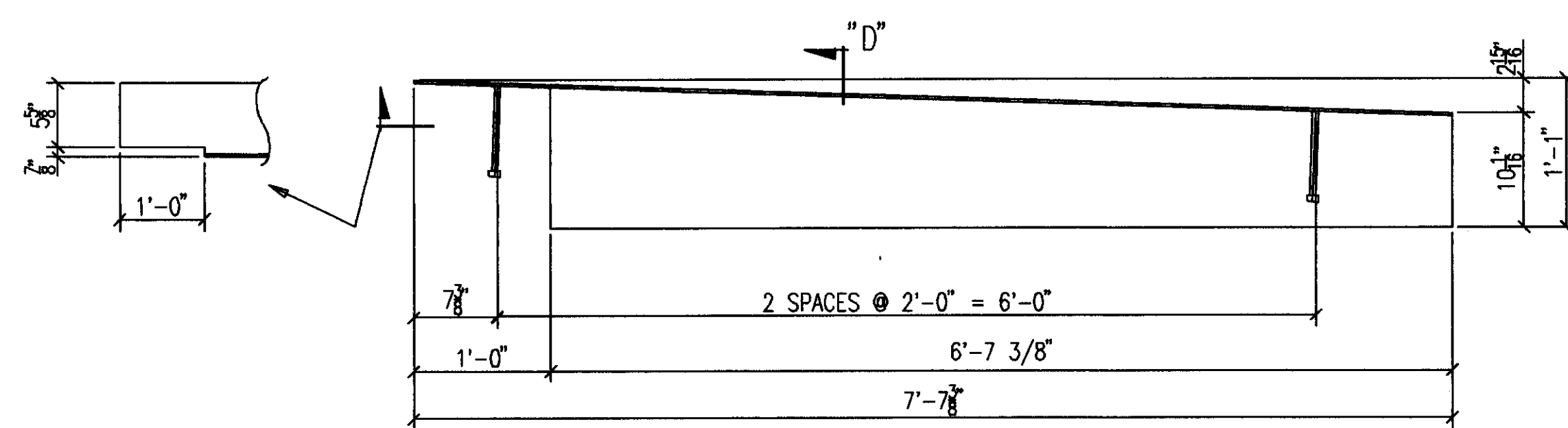
ONE-CURB PLATE 396M2 R [AS SHOWN]  
ONE-CURB PLATE 396M2 L [OPP HAND]



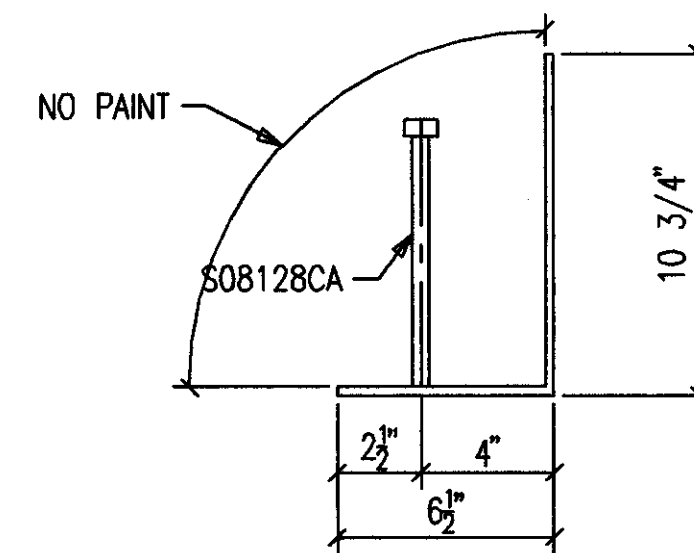
ONE-CURB PLATE 396M6 R [AS SHOWN]  
ONE-CURB PLATE 396M6 L [OPP HAND]



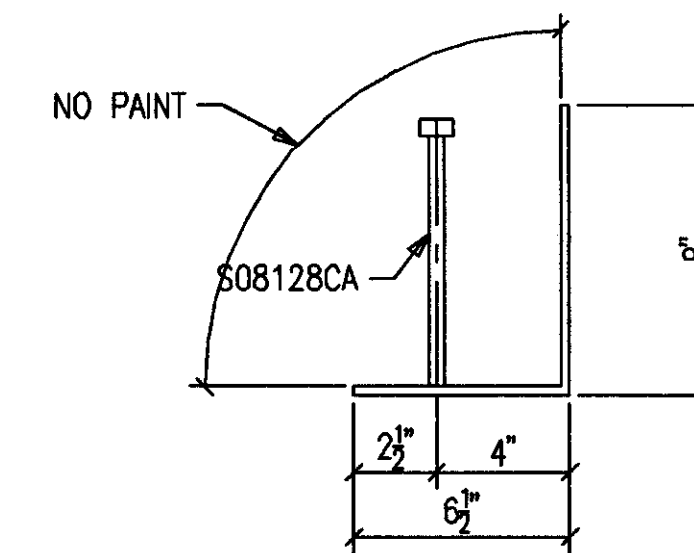
2-CURB PLATES 396M3



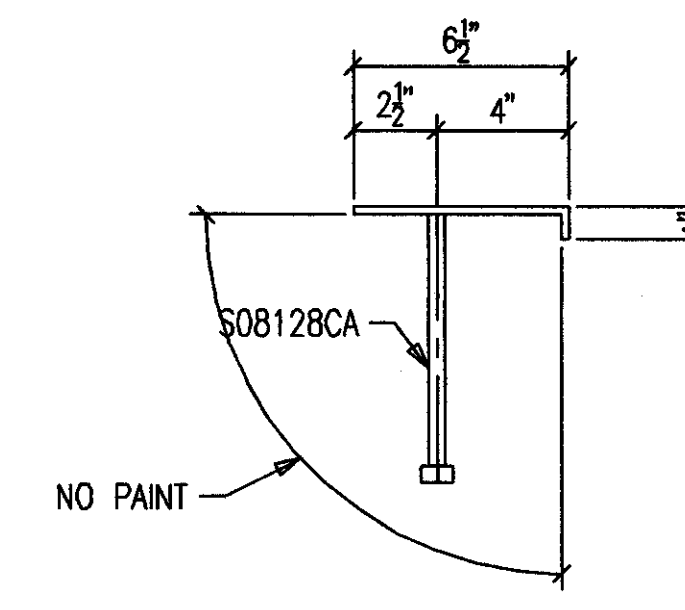
ONE-CURB PLATE 396M4 R [AS SHOWN]  
ONE-CURB PLATE 396M4 L [OPP HAND]



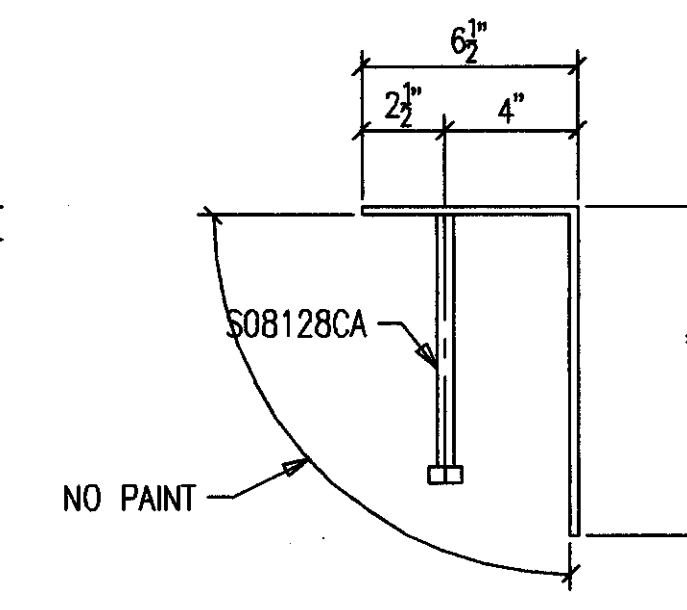
SECTION A



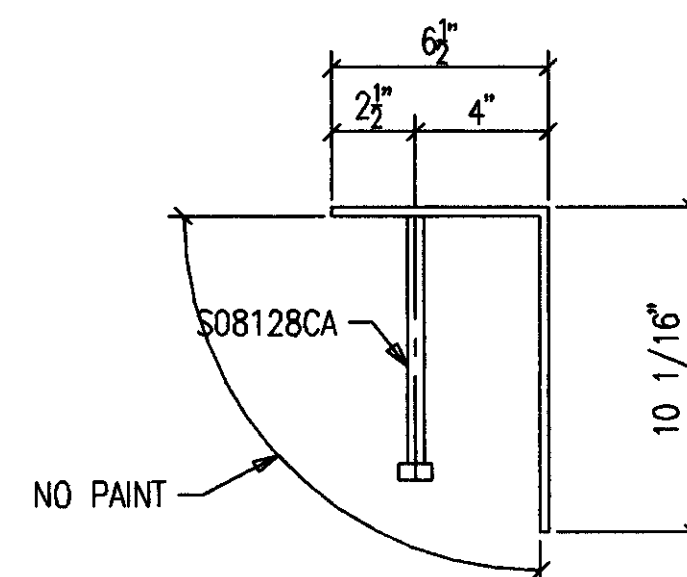
SECTION B



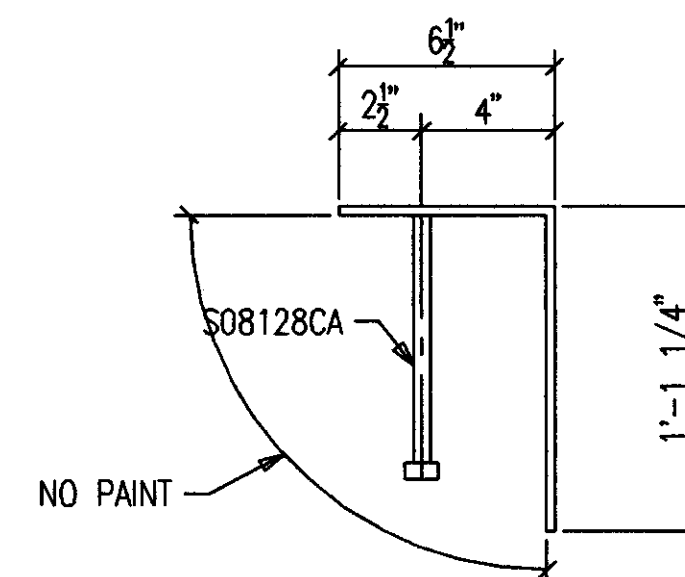
SECTION C



SECTION D



SECTION E

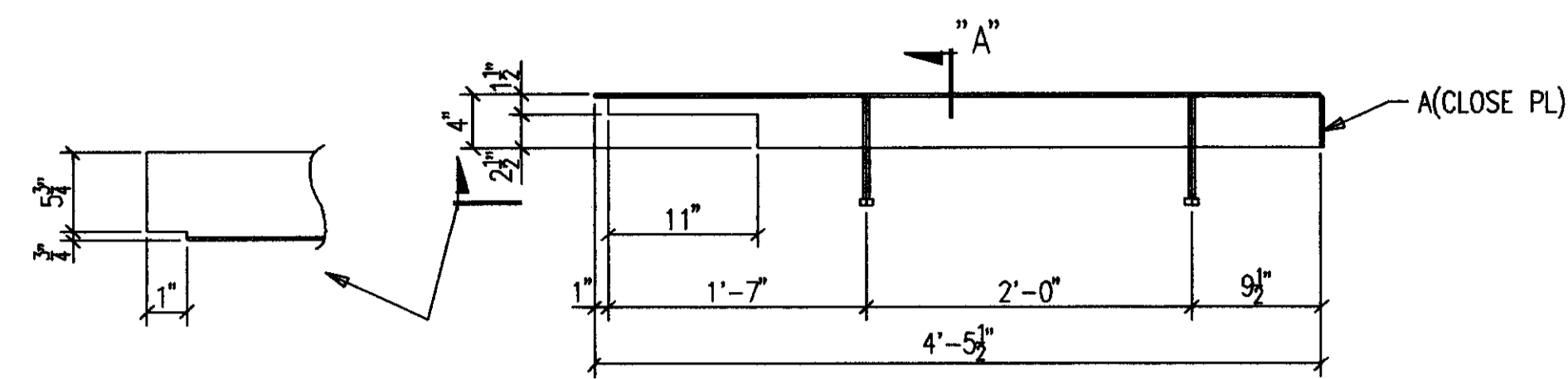


SECTION F

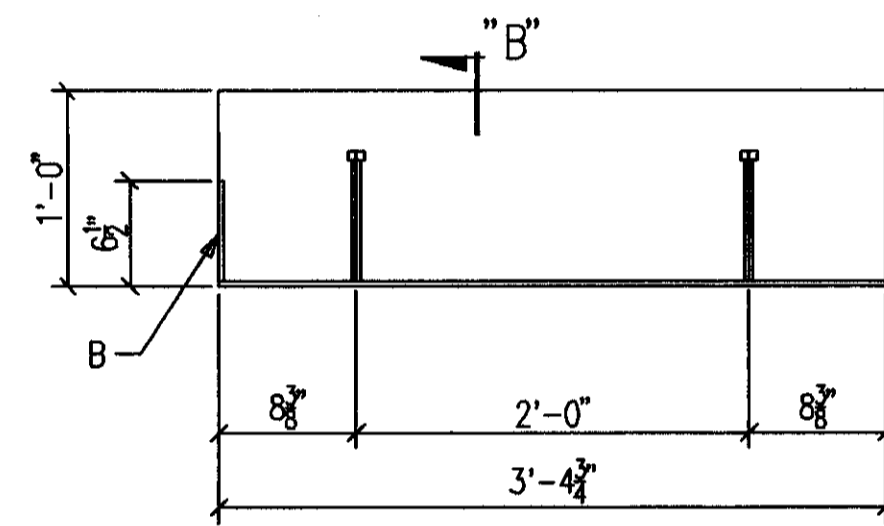
**AS BUILT**  
NAME: *Map Hughes*  
DATE: **AUG 16 1999**

ALL RE-ENTRANT CUTS MIN. 1/2" RAD. U/N	WELD ELECTRODE U/N E70XX	ALL A325 BOLTS w/ONE HARD WASH. AND HVY HEX NUT	SHOP PAINT SEE SPECS	ALL A307 BOLTS w/HEX NUT
DATE	APP	SHOP	FIELD	

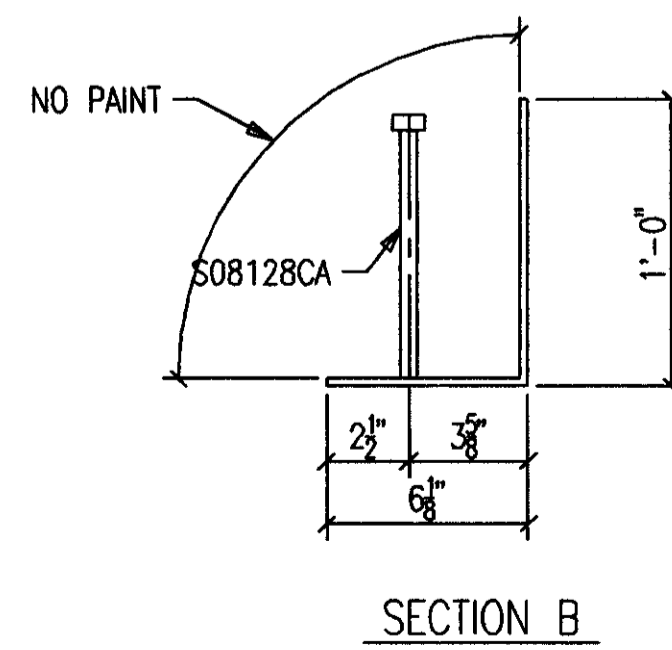
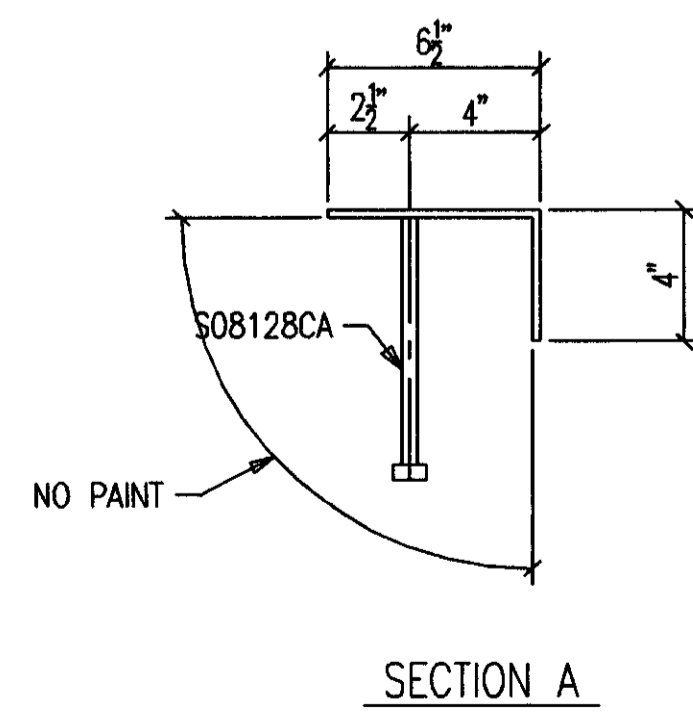
NO.	DATE	REVISION DESCRIPTION	OWN	CRD	
CONTRACTOR TO CHECK ALL DIMENSIONS AT JOB AS MID STATES STEEL PRODUCTS CO. ASSUMES NO RESPONSIBILITY FOR GENERAL BUILDING DIMENSIONS. NO BACK CHARGES PERTAINING TO THIS WORK WILL BE ACCEPTED WITHOUT PRIOR AUTHORIZATION BY MID STATES STEEL PRODUCTS CO.					
MATERIAL U/N	A36	DRAWN BY	SC	JOB NAME	COMMONWEALTH STADIUM EXPANSION
OPEN HOLES U/N	13/16" Ø	DATE	3/99	JOB LOCATION	UNIVERSITY OF KENTUCKY
WELD ELECTRODE U/N	E70XX	CHECKED BY		CONTRACTOR	TURNER CONSTRUCTION COMPANY
SHOP PAINT	SEE SPECS	DATE		ENGINEER	WALTER P. MOORE
DRAWING TITLE: <b>CURB PLATES @ SUITE LEVEL</b>					
2044 BUCK LANE LEXINGTON, KENTUCKY 40511 PHONE: 606-233-4344 FAX: 606-233-4346				ORDER NO. <b>P3522</b>	
<b>MID STATES STEEL PRODUCTS CO.</b> FABRICATORS OF STRUCTURAL AND MISCELLANEOUS STEEL				SHEET NO. <b>396</b>	



ONE-CURB PLATE 397M1 R [AS SHOWN]  
 ONE-CURB PLATE 397M1 L [OPP HAND]



ONE-CURB PLATE 397M2 R [AS SHOWN]  
 ONE-CURB PLATE 397M2 L [OPP HAND]



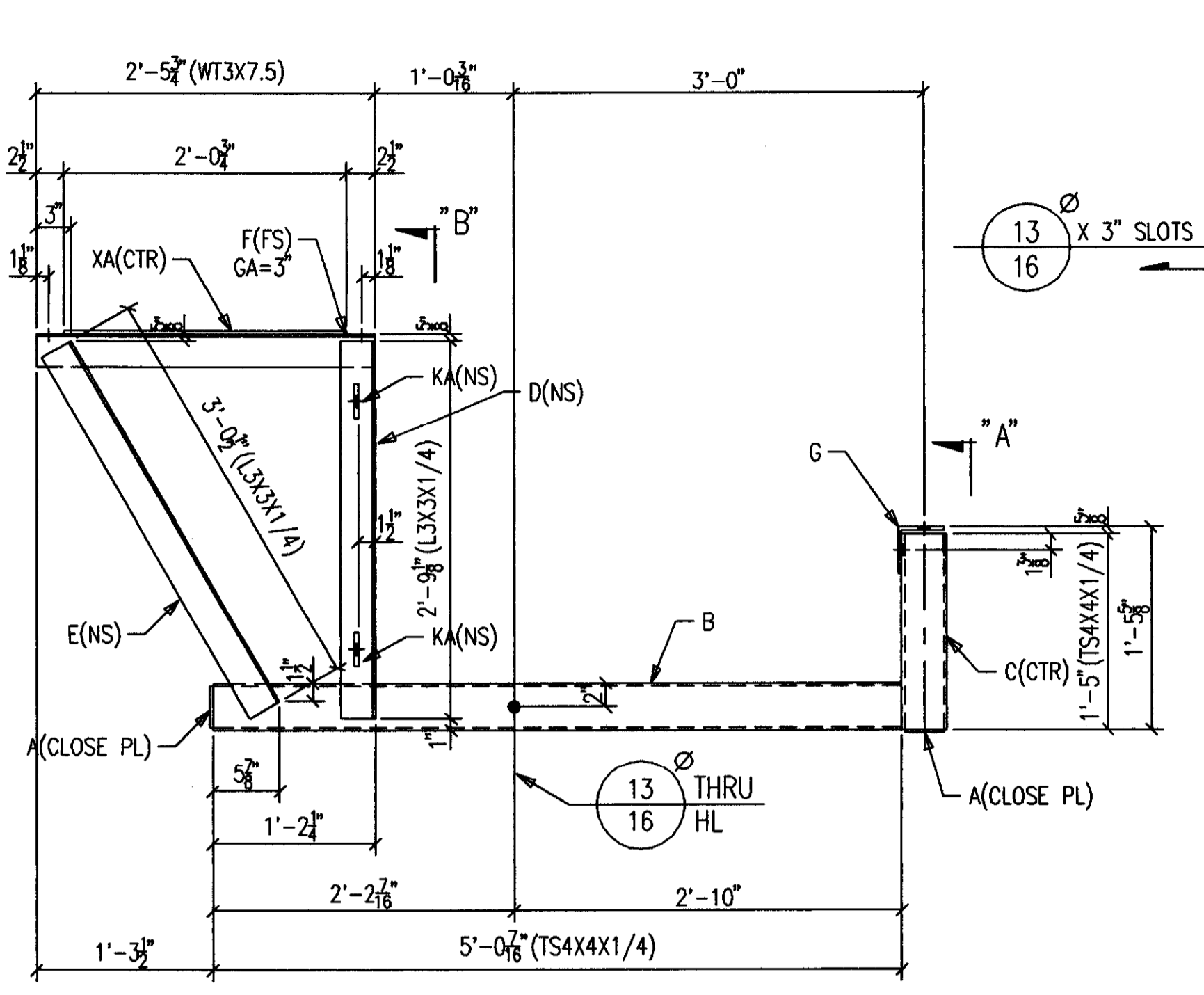
### BILL OF MATERIAL

SHIP MARK SUB MARK	NO. PCS.	DESCRIPTION	LENGTH		c t u s t	REMARKS
			FT.	IN.		
397M1 L	ONE	CURB PLATE				
397M1	1	PL1/4X10	4	5-1/2		BENT
A392	1	PL1/4X3-3/4	0	6-1/4		
S08128CA	2	A STUD 1/2X8				
397M1 R	ONE	CURB PLATE				
397M1	1	PL1/4X10	4	5-1/2		BENT
A392	1	PL1/4X3-3/4	0	6-1/4		
S08128CA	2	A STUD 1/2X8				
397M2 L	ONE	CURB PLATE				
397M2	1	PL1/4X17-5/8	3	4-3/4		BENT
B397	1	PL1/4X5-7/8	0	6-1/4		
S08128CA	2	A STUD 1/2X8				
397M2 R	ONE	CURB PLATE				
397M2	1	PL1/4X17-5/8	3	4-3/4		BENT
B397	1	PL1/4X5-7/8	0	6-1/4		
S08128CA	2	A STUD 1/2X8				

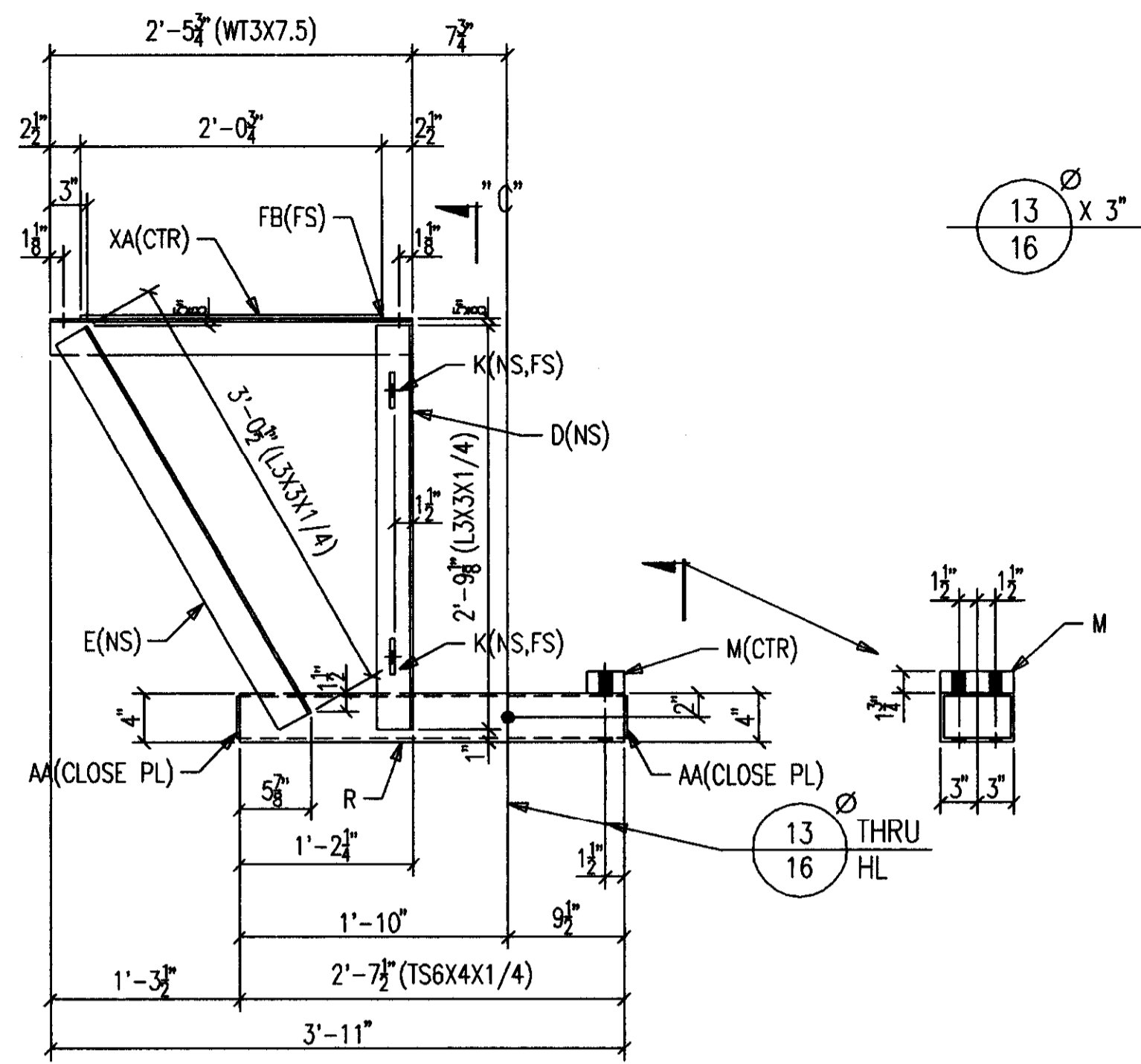
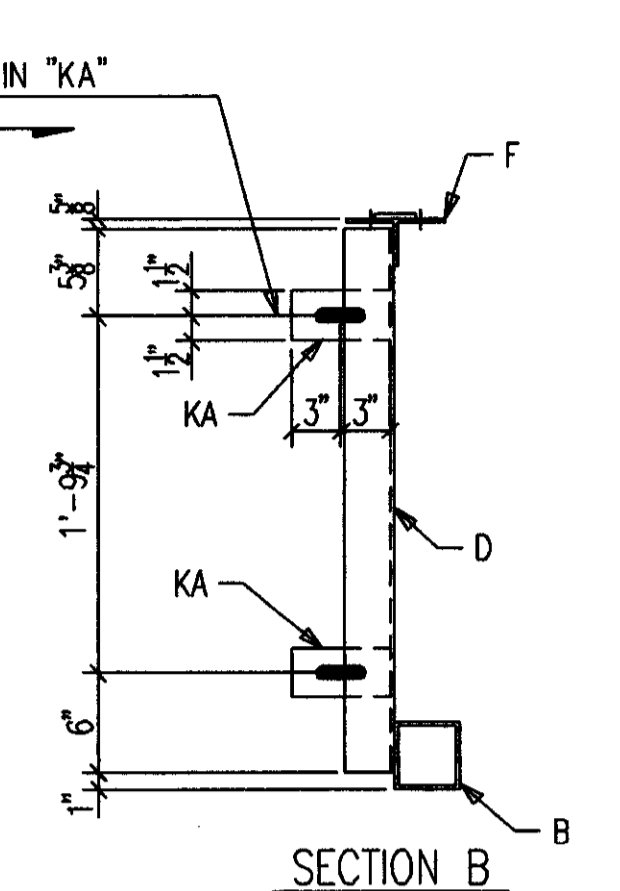
**AS BUILT**  
 NAME: *Map Hughes*  
 DATE: **AUG 16 1999**

ALL RE-ENTRANT CUTS MIN. 1/2" RAD. U/N				WELD ELECTRODE U/N E70XX		CHECKED BY		CONTRACTOR	
ALL A325 BOLTS w/ONE HARD WASH. AND HVY HEX NUT				SHOP PAINT SEE SPECS		DATE		ENGINEER	
ALL A307 BOLTS w/HEX NUT				DRAWING TITLE					
DATE	APP	SHOP	FIELD	CURB PLATES @ SUITE LEVEL					
				2044 BUCK LANE LEXINGTON, KENTUCKY 40511 PHONE: 606-233-4344 FAX: 606-233-4346				ORDER NO. <b>P3522</b>	
				FABRICATORS OF STRUCTURAL AND MISCELLANEOUS STEEL				SHEET NO. <b>397</b>	

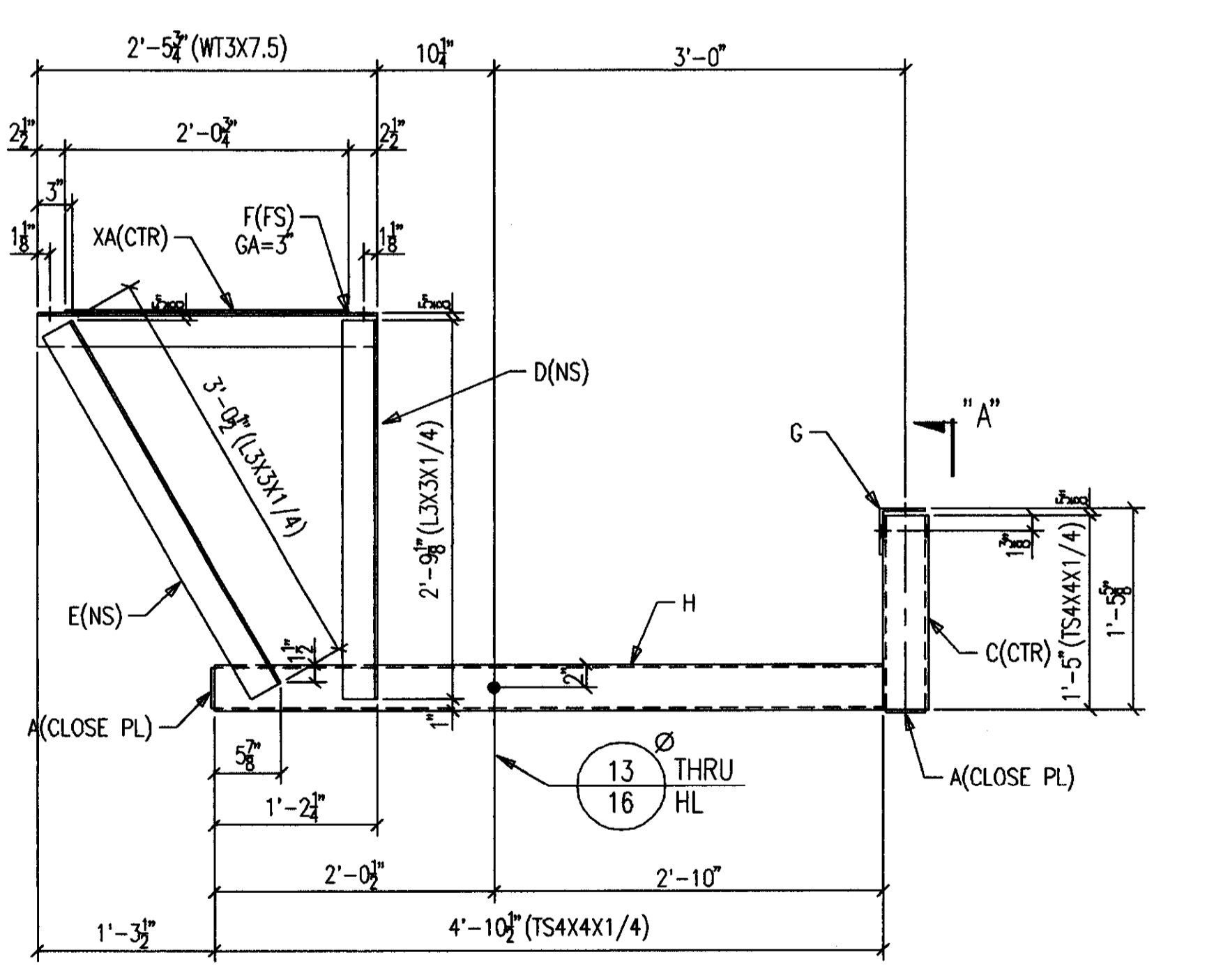
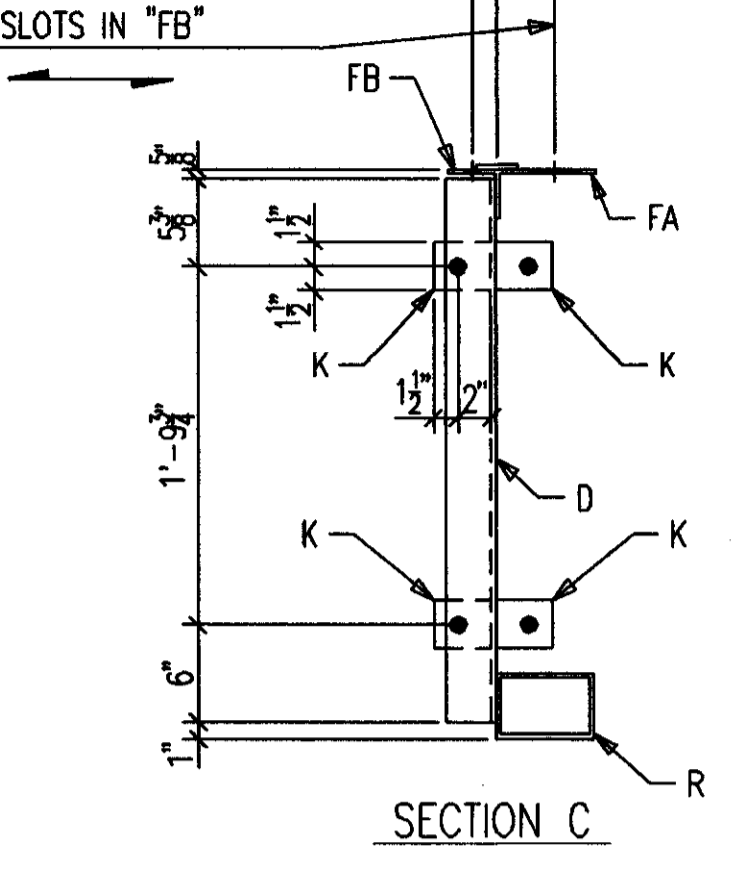
Cab # 206  
 Sheet # 397  
 Document # 34773  
 D-1



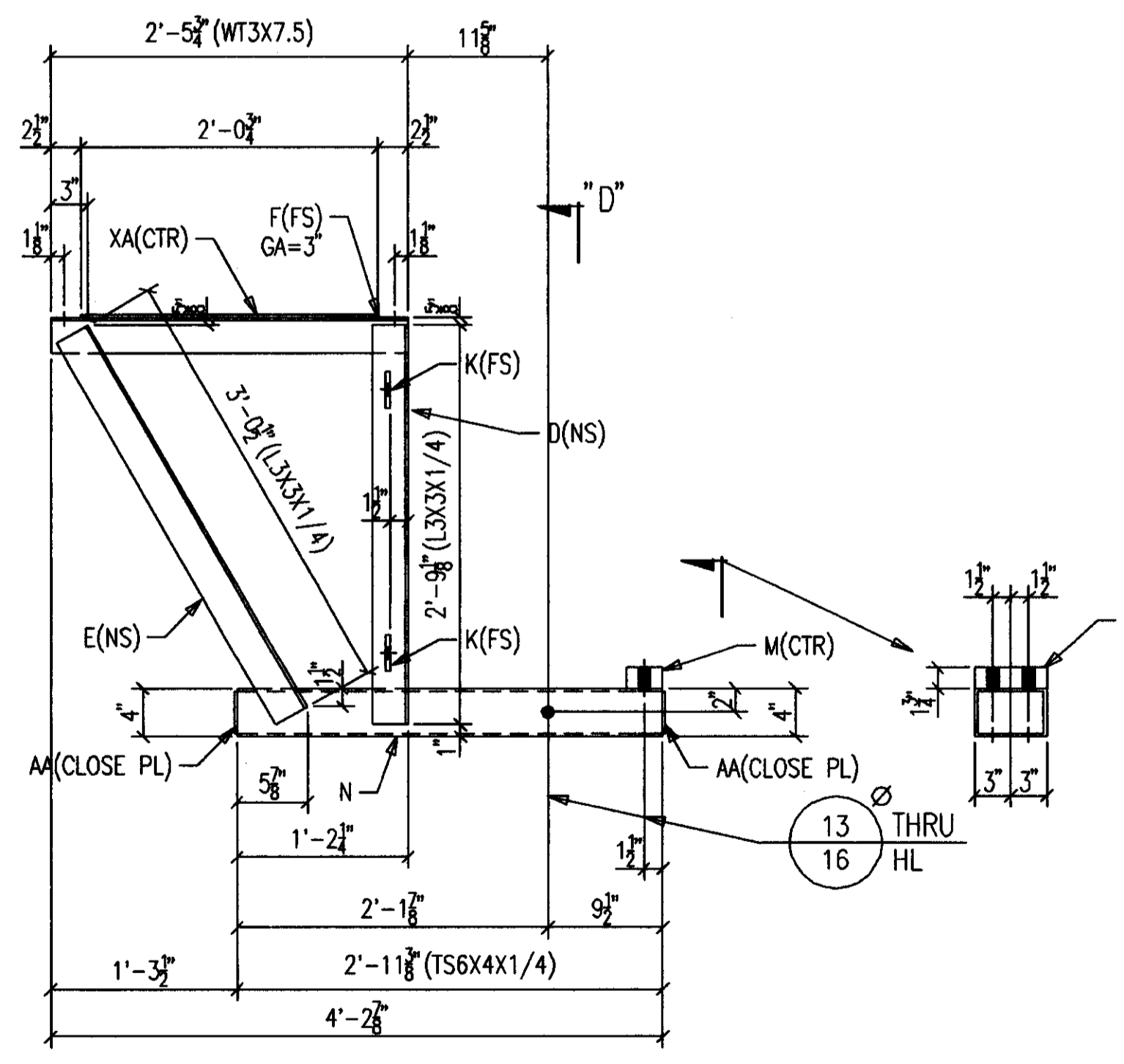
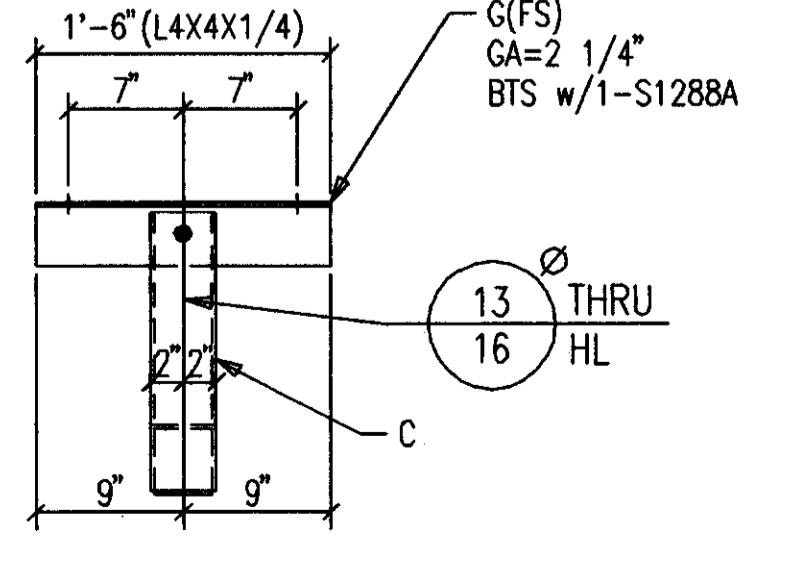
ONE-OUTRIGGER 398M1 R [AS SHOWN]  
ONE-OUTRIGGER 398M1 L [OPP HAND]  
2-A325 3/4 x 5 3/4 F1292A



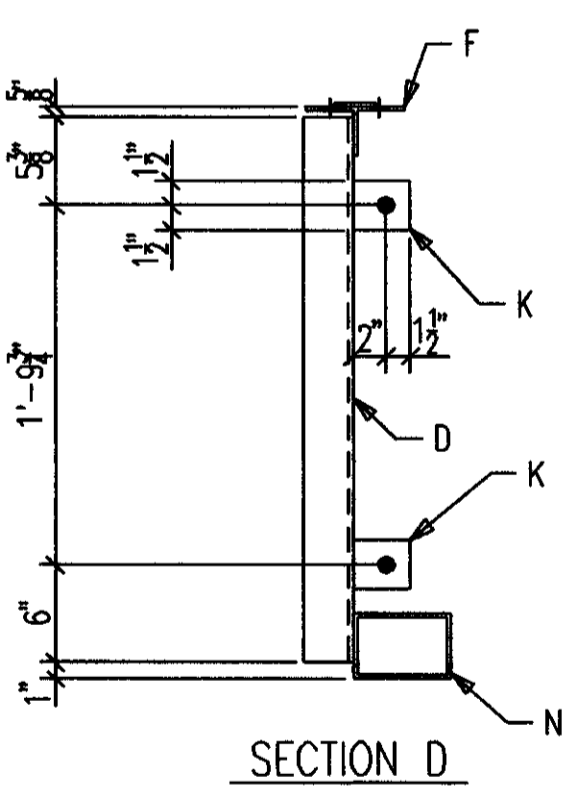
ONE-OUTRIGGER 398M3 R [AS SHOWN]  
ONE-OUTRIGGER 398M3 L [OPP HAND]  
6-A325 3/4 x 7 3/4 F12124A



2-OUTRIGGERS 398M2 R [AS SHOWN]  
2-OUTRIGGERS 398M2 L [OPP HAND]  
4-A325 3/4 x 5 3/4 F1292A



ONE-OUTRIGGER 398M4 R [AS SHOWN]  
ONE-OUTRIGGER 398M4 L [OPP HAND]  
6-A325 3/4 x 7 3/4 F12124A



**AS BUILT**  
NAME: *Map Hughes*  
DATE: **AUG 16 1999**

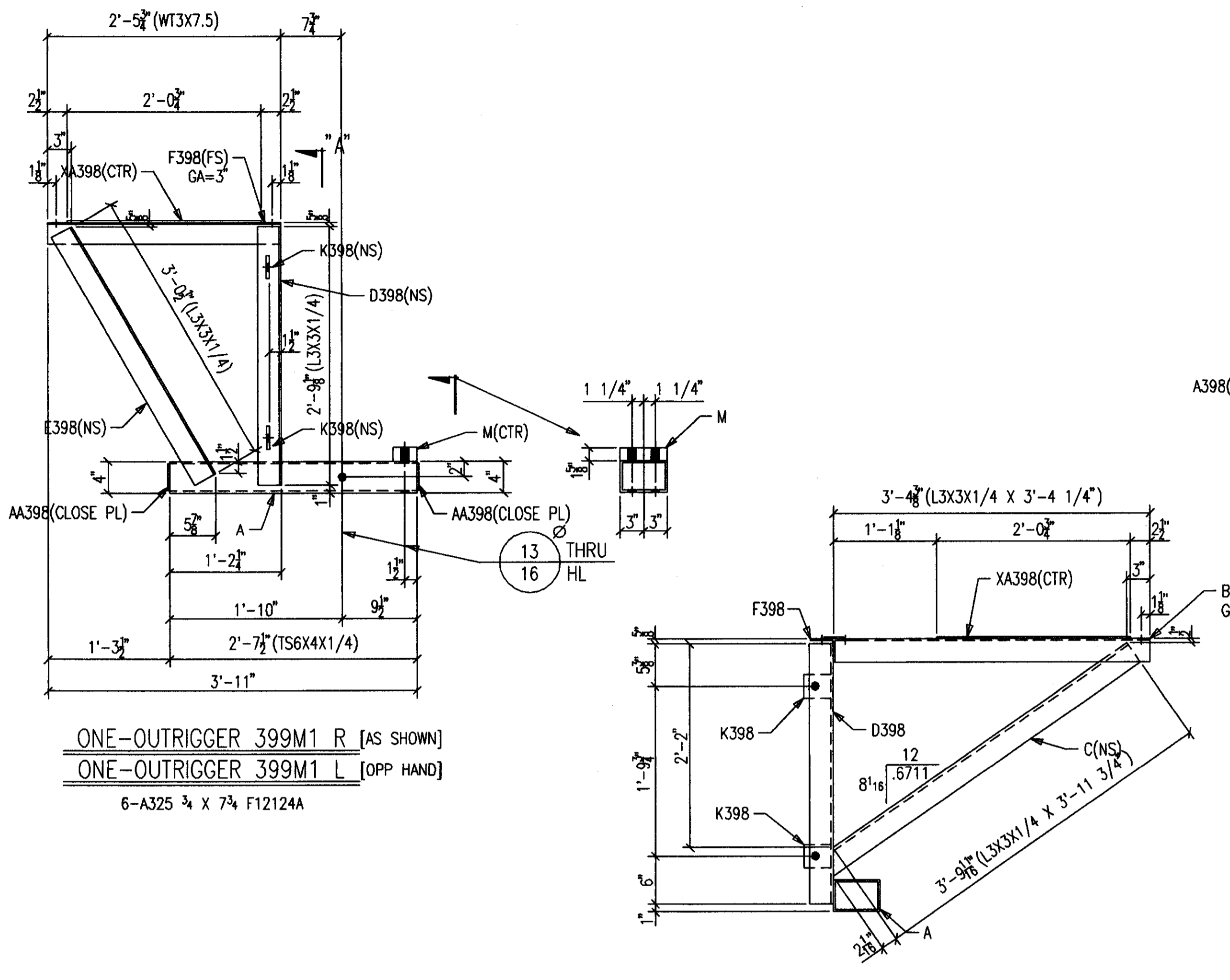
**BILL OF MATERIAL**

SHIP MARK SUB MARK	NO. PCS.	DESCRIPTION	LENGTH		C L I S T	REMARKS
			FT.	IN.		
398M1 L	ONE	OUTRIGGER				
A398	2	PL 1/8X3-3/4	0	3-3/4		
B398	1	TS4X4X1/4	5	0-7/16		P/SC2E
C398	1	TS4X4X1/4	1	5		SC1E
D398	1	L3X3X1/4	2	9-1/8		
E398	1	L3X3X1/4	3	0-1/2		
F398	1	WT3X7.5	2	5-3/4		P
G398	1	L4X4X1/4	1	6		P
KA398	2	FB3/8X3	0	6		P
S1288A	1	A325 3/4X5-1/2				
XA398	1	FB3/16X2-1/2	2	0-3/4		
398M1 R	ONE	OUTRIGGER				
A398	2	PL 1/8X3-3/4	0	3-3/4		
B398	1	TS4X4X1/4	5	0-7/16		P/SC2E
C398	1	TS4X4X1/4	1	5		SC1E
D398	1	L3X3X1/4	2	9-1/8		
E398	1	L3X3X1/4	3	0-1/2		
F398	1	WT3X7.5	2	5-3/4		P
G398	1	L4X4X1/4	1	6		P
KA398	2	FB3/8X3	0	6		P
S1288A	1	A325 3/4X5-1/2				
XA398	1	FB3/16X2-1/2	2	0-3/4		
398M2 L	2	OUTRIGGERS				
A398	4	PL 1/8X3-3/4	0	3-3/4		
C398	2	TS4X4X1/4	1	5		SC1E
D398	2	L3X3X1/4	2	9-1/8		
E398	2	L3X3X1/4	3	0-1/2		
F398	2	WT3X7.5	2	5-3/4		P
G398	2	L4X4X1/4	1	6		P
H398	2	TS4X4X1/4	4	10-1/2		P/SC2E
S1288A	2	A325 3/4X5-1/2				
XA398	2	FB3/16X2-1/2	2	0-3/4		
398M2 R	2	OUTRIGGERS				
A398	4	PL 1/8X3-3/4	0	3-3/4		
C398	2	TS4X4X1/4	1	5		SC1E
D398	2	L3X3X1/4	2	9-1/8		
E398	2	L3X3X1/4	3	0-1/2		
F398	2	WT3X7.5	2	5-3/4		P
G398	2	L4X4X1/4	1	6		P
H398	2	TS4X4X1/4	4	10-1/2		P/SC2E
S1288A	2	A325 3/4X5-1/2				
XA398	2	FB3/16X2-1/2	2	0-3/4		
398M3 L	ONE	OUTRIGGER				
AA398	2	PL 1/8X3-3/4	0	5-3/4		
D398	1	L3X3X1/4	2	9-1/8		
E398	1	L3X3X1/4	3	0-1/2		
FA398	1	FB1/4X3	2	5-3/4		P
FB398	1	WT3X7.5	2	5-3/4		P
K398	4	FB3/8X3	0	3-1/2		P
M398	1	PL 1-3/4X3	0	6		P
R398	1	TS6X4X1/4	2	7-1/2		P/SC2E
XA398	1	FB3/16X2-1/2	2	0-3/4		
398M3 R	ONE	OUTRIGGER				
AA398	2	PL 1/8X3-3/4	0	5-3/4		
D398	1	L3X3X1/4	2	9-1/8		
E398	1	L3X3X1/4	3	0-1/2		
FA398	1	FB1/4X3	2	5-3/4		P
FB398	1	WT3X7.5	2	5-3/4		P
K398	4	FB3/8X3	0	3-1/2		P
M398	1	PL 1-3/4X3	0	6		P
R398	1	TS6X4X1/4	2	7-1/2		P/SC2E
XA398	1	FB3/16X2-1/2	2	0-3/4		
398M4 L	ONE	OUTRIGGER				
AA398	2	PL 1/8X3-3/4	0	5-3/4		
D398	1	L3X3X1/4	2	9-1/8		
E398	1	L3X3X1/4	3	0-1/2		
F398	1	WT3X7.5	2	5-3/4		P
K398	2	FB3/8X3	0	3-1/2		P
M398	1	PL 1-3/4X3	0	6		P
N398	1	TS6X4X1/4	2	11-3/8		P/SC2E
XA398	1	FB3/16X2-1/2	2	0-3/4		
398M4 R	ONE	OUTRIGGER				
AA398	2	PL 1/8X3-3/4	0	5-3/4		
D398	1	L3X3X1/4	2	9-1/8		
E398	1	L3X3X1/4	3	0-1/2		
F398	1	WT3X7.5	2	5-3/4		P
K398	2	FB3/8X3	0	3-1/2		P
M398	1	PL 1-3/4X3	0	6		P
N398	1	TS6X4X1/4	2	11-3/8		P/SC2E
XA398	1	FB3/16X2-1/2	2	0-3/4		
F12124A	13	A325 3/4 X 7-3/4				
F1292A	7	A325 3/4X5-3/4				

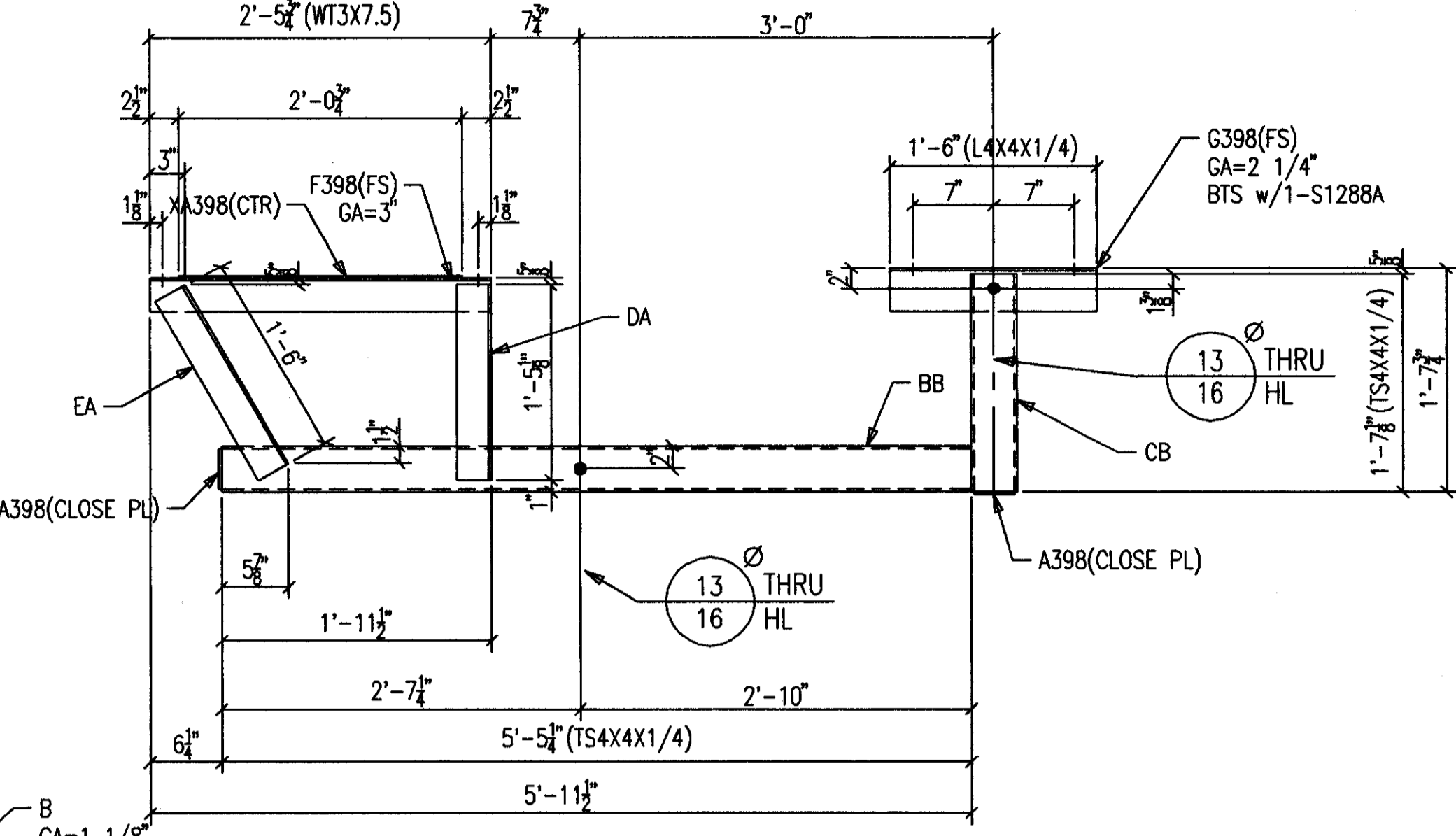
MATERIAL U/N A36	DRAWN BY SC	JOB NAME COMMONWEALTH STADIUM EXPANSION
OPEN HOLES U/N 13/16" ø	DATE 3/99	JOB LOCATION UNIVERSITY OF KENTUCKY
WELD ELECTRODE U/N E70XX	CHECKED BY	CONTRACTOR TURNER CONSTRUCTION COMPANY
SHOP PAINT SEE SPECS	DATE	ENGINEER WALTER P. MOORE
DRAWING TITLE WINDOW WASHING FRAMES		

**MID STATES STEEL PRODUCTS CO.**  
2044 BUCK LANE  
LEXINGTON, KENTUCKY 40511  
PHONE: 608-235-4344 FAX: 606-233-4346  
FABRICATORS OF STRUCTURAL AND MISCELLANEOUS STEEL

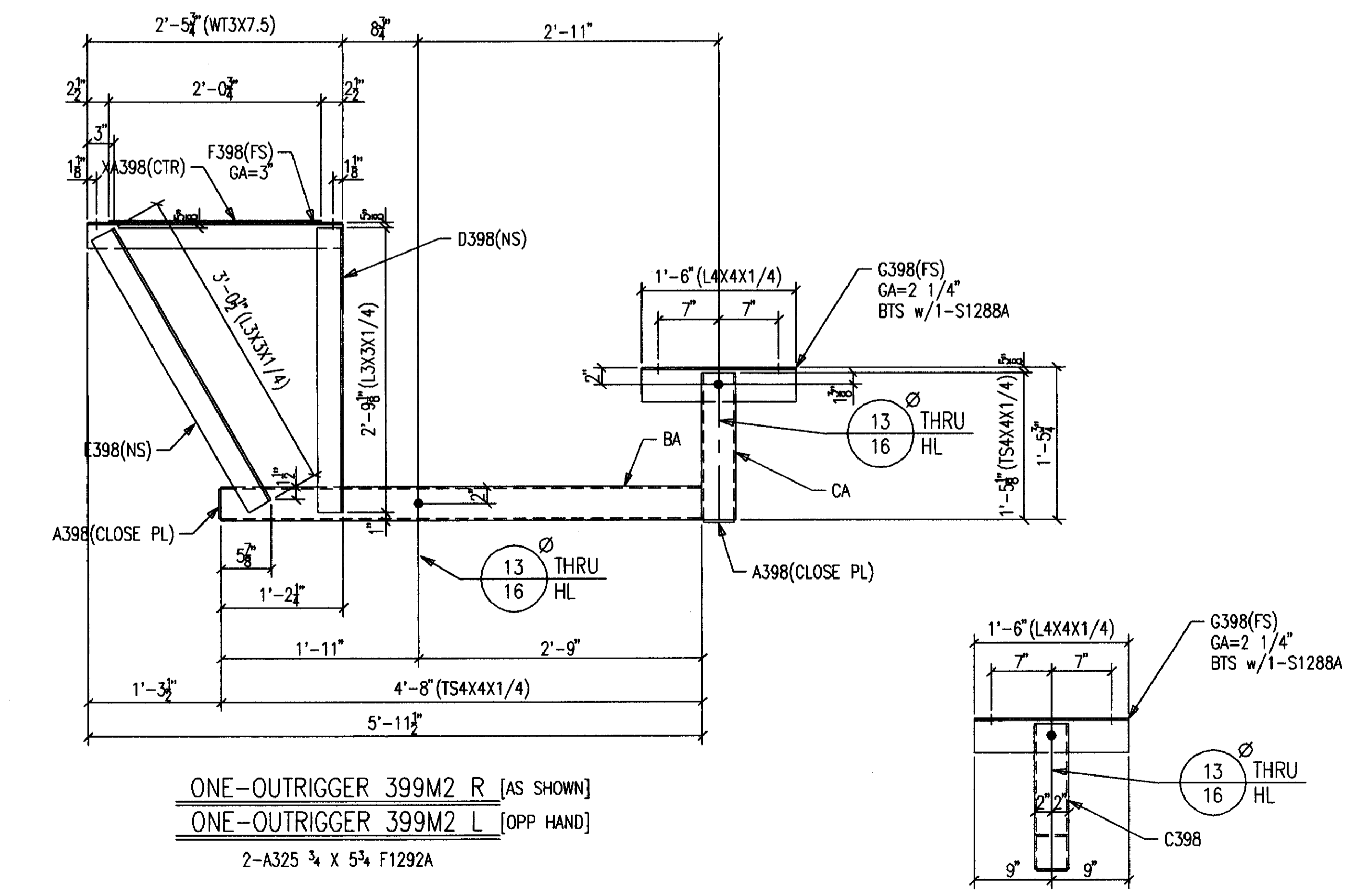
ORDER NO. P3522  
SHEET NO. 398



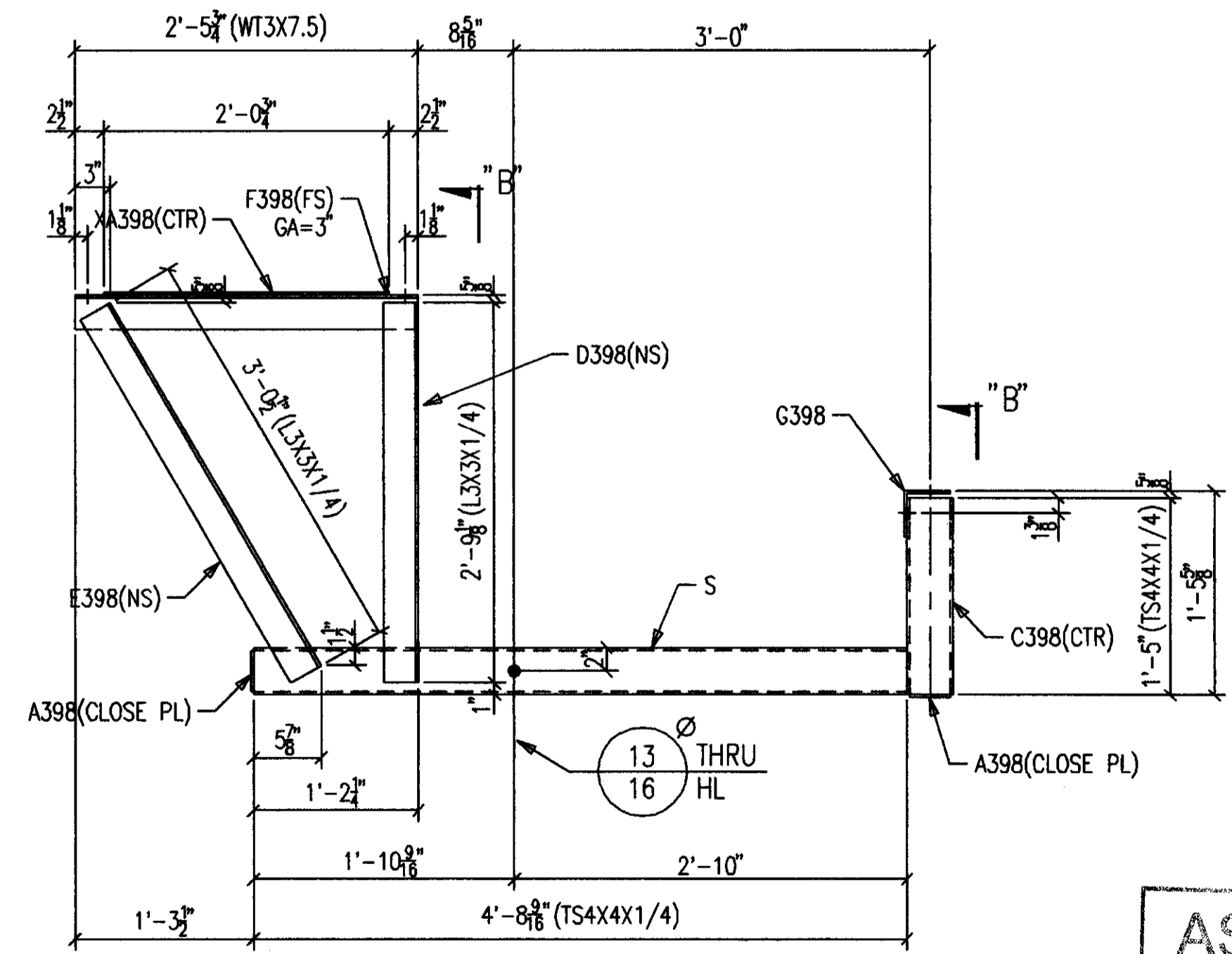
ONE-OUTRIGGER 399M1 R [AS SHOWN]  
 ONE-OUTRIGGER 399M1 L [OPP HAND]  
 6-A325 3/4 X 7 3/4 F12124A



3-OUTRIGGERS 399M3 R [AS SHOWN]  
 3-OUTRIGGERS 399M3 L [OPP HAND]  
 6-A325 3/4 X 5 3/4 F1292A



ONE-OUTRIGGER 399M2 R [AS SHOWN]  
 ONE-OUTRIGGER 399M2 L [OPP HAND]  
 2-A325 3/4 X 5 3/4 F1292A



2-OUTRIGGERS 399M4 R [AS SHOWN]  
 2-OUTRIGGERS 399M4 L [OPP HAND]  
 4-A325 3/4 X 5 3/4 F1292A

AS BUILT  
 NAME: *Map Hughes*  
 DATE: AUG 16 1999

BILL OF MATERIAL

SHIP MARK SUB MARK	NO. PCS.	DESCRIPTION	LENGTH		CL	REMARKS
			FT.	IN.		
399M1 L	ONE	OUTRIGGER				
AA398	2	PL1/8X3-3/4	0	5-3/4		
B399	1	L3X3X1/4	3	4-1/4		P/CTF
C399	1	L3X3X1/4	3	11-3/4		BC1E
D398	1	L3X3X1/4	2	9-1/8		
E398	1	L3X3X1/4	3	0-1/2		
F398	1	WT3X7.5	2	5-3/4		P
K398	2	FB3/8X3	0	3-1/2		P
M399	1	PL1-5/8X3	0	6		P
XA398	2	FB3/16X2-1/2	2	0-3/4		
399M1 R	ONE	OUTRIGGER				
AA398	2	PL1/8X3-3/4	0	5-3/4		
B399	1	L3X3X1/4	3	4-1/4		P/CTF
C399	1	L3X3X1/4	3	11-3/4		BC1E
D398	1	L3X3X1/4	2	9-1/8		
E398	1	L3X3X1/4	3	0-1/2		
F398	1	WT3X7.5	2	5-3/4		P
K398	2	FB3/8X3	0	3-1/2		P
M399	1	PL1-5/8X3	0	6		P
XA398	2	FB3/16X2-1/2	2	0-3/4		
399M2 L	ONE	OUTRIGGER				
A398	2	PL1/8X3-3/4	0	3-3/4		
BA399	1	TS4X4X1/4	4	8		P/SC2E
CA399	1	TS4X4X1/4	1	5-1/8		P/SC1E
D398	1	L3X3X1/4	2	9-1/8		
E398	1	L3X3X1/4	3	0-1/2		
F398	1	WT3X7.5	2	5-3/4		P
G398	1	L4X4X1/4	1	6		P
S1288A	1	A325 3/4X5-1/2				
XA398	1	FB3/16X2-1/2	2	0-3/4		
399M2 R	ONE	OUTRIGGER				
A398	2	PL1/8X3-3/4	0	3-3/4		
BA399	1	TS4X4X1/4	4	8		P/SC2E
CA399	1	TS4X4X1/4	1	5-1/8		P/SC1E
D398	1	L3X3X1/4	2	9-1/8		
E398	1	L3X3X1/4	3	0-1/2		
F398	1	WT3X7.5	2	5-3/4		P
G398	1	L4X4X1/4	1	6		P
S1288A	1	A325 3/4X5-1/2				
XA398	1	FB3/16X2-1/2	2	0-3/4		
399M3 L	3	OUTRIGGERS				
A398	6	PL1/8X3-3/4	0	3-3/4		
BB399	3	TS4X4X1/4	5	5-1/4		P/SC2E
CB399	3	TS4X4X1/4	1	7-1/8		P/SC1E
DA398	3	L3X3X1/4	1	5-1/8		
EA398	3	L3X3X1/4	1	6		
F398	3	WT3X7.5	2	5-3/4		P
G398	3	L4X4X1/4	1	6		P
S1288A	3	A325 3/4X5-1/2				
XA398	3	FB3/16X2-1/2	2	0-3/4		
399M3 R	3	OUTRIGGERS				
A398	6	PL1/8X3-3/4	0	3-3/4		
BB399	3	TS4X4X1/4	5	5-1/4		P/SC2E
CB399	3	TS4X4X1/4	1	7-1/8		P/SC1E
DA398	3	L3X3X1/4	1	5-1/8		
EA398	3	L3X3X1/4	1	6		
F398	3	WT3X7.5	2	5-3/4		P
G398	3	L4X4X1/4	1	6		P
S1288A	3	A325 3/4X5-1/2				
XA398	3	FB3/16X2-1/2	2	0-3/4		
399M4 L	2	OUTRIGGERS				
A398	4	PL1/8X3-3/4	0	3-3/4		
C398	2	TS4X4X1/4	1	5		SC1E
D398	2	L3X3X1/4	2	9-1/8		
E398	2	L3X3X1/4	3	0-1/2		
F398	2	WT3X7.5	2	5-3/4		P
G398	2	L4X4X1/4	1	6		P
S1288A	2	A325 3/4X5-1/2				
S399	2	TS4X4X1/4	4	8-9/16		P/SC2E
XA398	2	FB3/16X2-1/2	2	0-3/4		
399M4 R	2	OUTRIGGERS				
A398	4	PL1/8X3-3/4	0	3-3/4		
C398	2	TS4X4X1/4	1	5		SC1E
D398	2	L3X3X1/4	2	9-1/8		
E398	2	L3X3X1/4	3	0-1/2		
F398	2	WT3X7.5	2	5-3/4		P
G398	2	L4X4X1/4	1	6		P
S1288A	2	A325 3/4X5-1/2				
S399	2	TS4X4X1/4	4	8-9/16		P/SC2E
XA398	2	FB3/16X2-1/2	2	0-3/4		
F12124A	7	A325 3/4 X 7-3/4				
F1292A	13	A325 3/4X5-3/4				

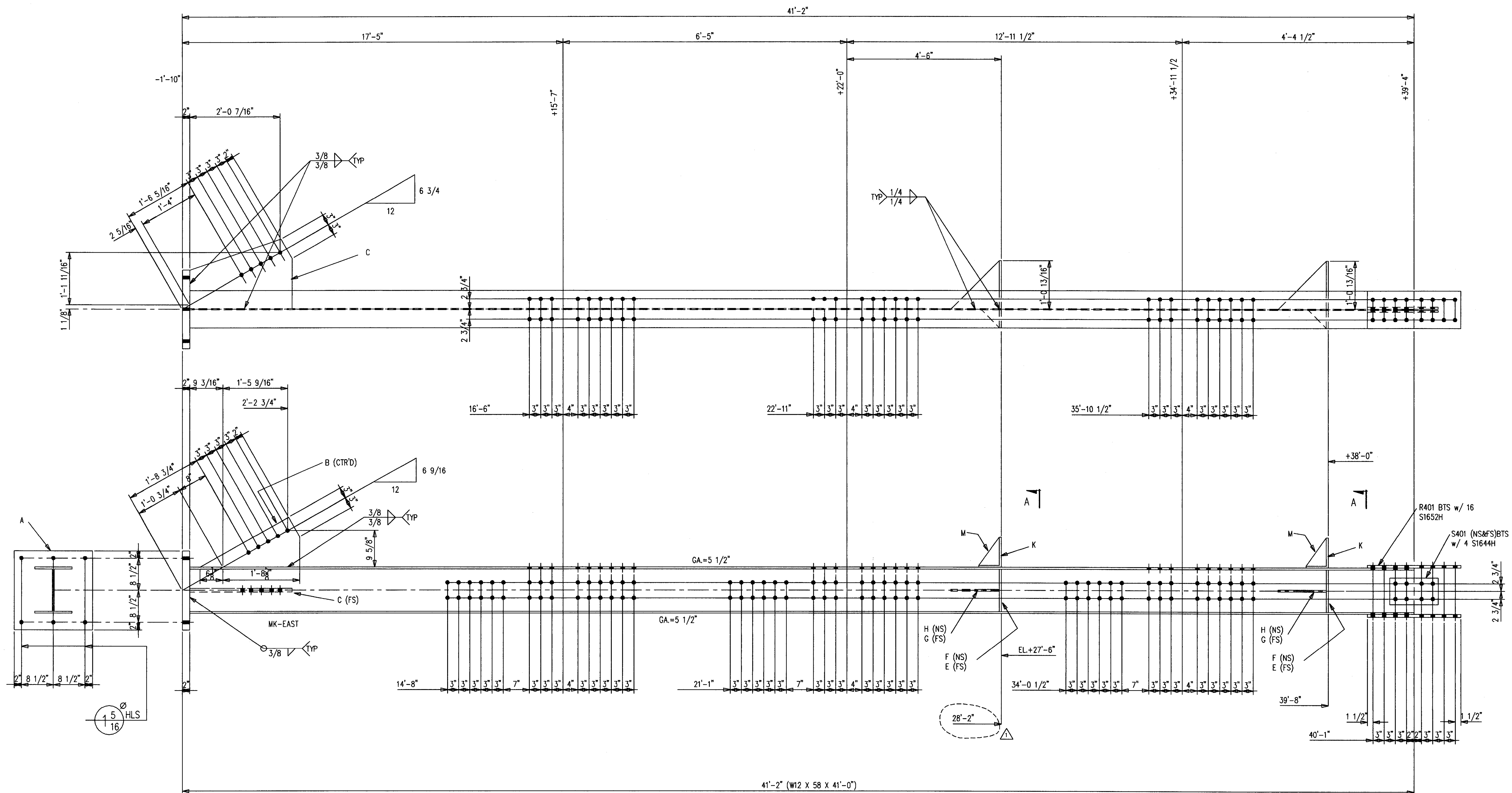
MATERIAL U/N	A36	DRAWN BY	SC	JOB NAME	COMMONWEALTH STADIUM EXPANSION
OPEN HOLES U/N	13/16" Ø	DATE	3/99	JOB LOCATION	UNIVERSITY OF KENTUCKY
ALL RE-ENTRANT CUTS MIN. 1/2" RAD. U/N		WELD ELECTRODE U/N	E70XX	CHECKED BY	CONTRACTOR TURNER CONSTRUCTION COMPANY
ALL A325 BOLTS W/ONE HARD WASH. AND H VY HEX NUT		SHOP PAINT	SEE SPECS	DATE	ENGINEER WALTER P. MOORE
ALL A307 BOLTS W/HEX NUT		DRAWING TITLE WINDOW WASHING FRAMES			

2044 BUCK LANE  
 LEXINGTON, KENTUCKY 40511  
 PHONE: 606-233-4344 FAX: 606-233-4346

**MID STATES STEEL PRODUCTS CO.**

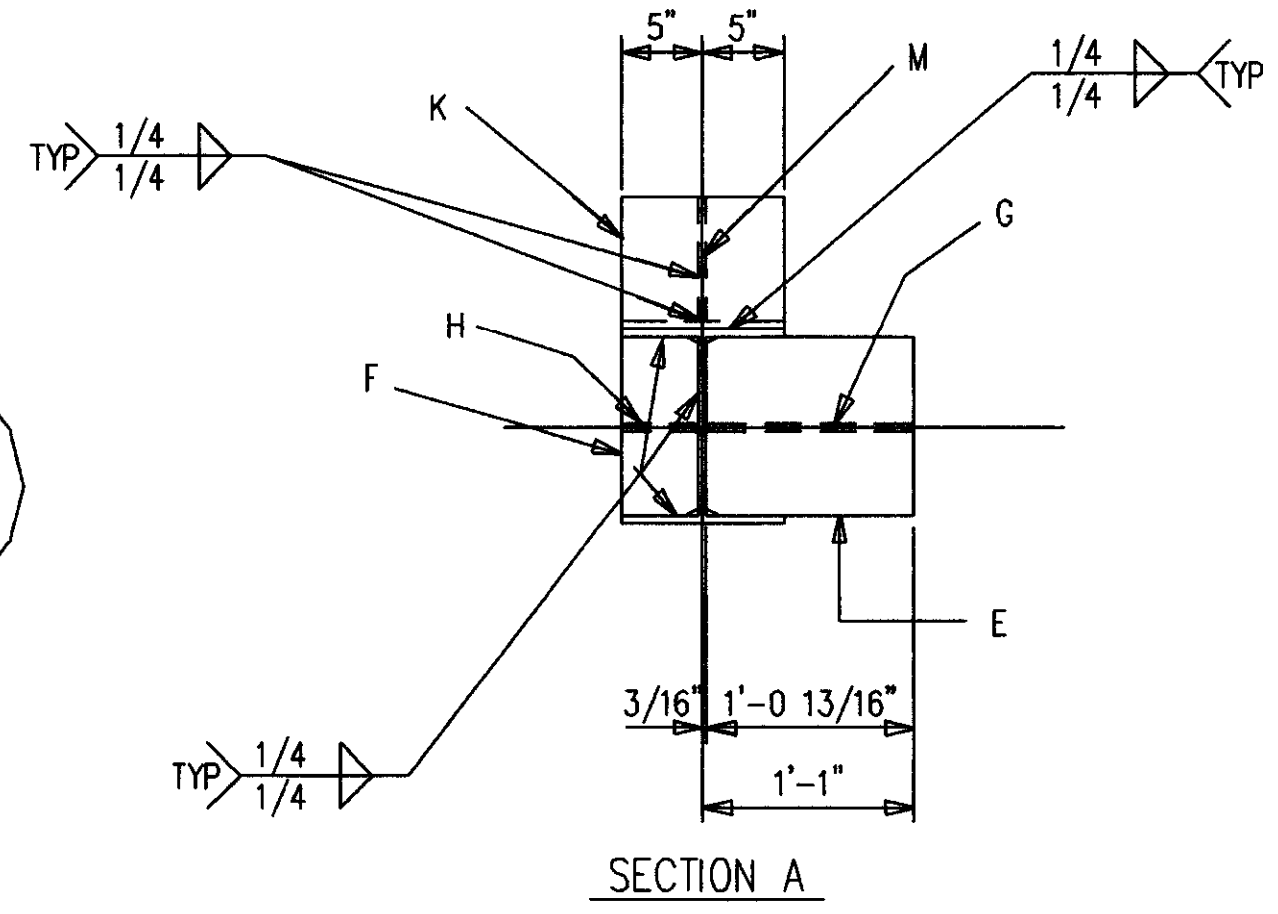
FABRICATORS OF STRUCTURAL AND MISCELLANEOUS STEEL

ORDER NO. P3522  
 SHEET NO. 399



**SHOP NOTES:**

1. PRIMER ONLY 3" AROUND ALL HOLES UNLESS NOTED PF(PRIMER/FINISH).
2. P=PRIMER ONLY AS DIMENSIONED.
3. NP=NO PAINT IN 3" WIDE STRIP, CENTER OF BEAM, FULL LENGTH.



ONE-COLUMN 401C1 R [AS SHOWN]  
 ONE-COLUMN 401C1 L [OPP HAND]

SHOP NOTE !  
 SEE SHT 402 FOR BILL OF MATERIAL

**AS BUILT**  
 NAME: *Map Hughes*  
 DATE: AUG 16 1999

DATE	APP	SHOP	FIELD

NO.	DATE	REVISION DESCRIPTION	DWN	CHKD	
1	1/18/99	MOVED HAUNCH			
CONTRACTOR TO CHECK ALL DIMENSIONS AT JOB AS MID STATES STEEL PRODUCTS CO. ASSUMES NO RESPONSIBILITY FOR GENERAL BUILDING DIMENSIONS. NO BACK CHARGES PERTAINING TO THIS WORK WILL BE ACCEPTED WITHOUT PRIOR AUTHORIZATION BY MID STATES STEEL PRODUCTS CO.					
MATERIAL U/N	A36	DRAWN BY	JDL	JOB NAME	COMMONWEALTH STADIUM EXPANSION
OPEN HOLES U/N	1 1/16	DATE	9/98	JOB LOCATION	UNIVERSITY OF KENTUCKY
WELD ELECTRODE U/N	E70XX	CHECKED BY	GCL	CONTRACTOR	TURNER CONSTRUCTION COMPANY
SHOP PAINT	SEE SPECS	DATE	9/98	ENGINEER	WALTER P. MOORE AND ASSOCIATES, INC.
DRAWING TITLE	COLUMN				
P.O. BOX 11128-2044 BUCK LANE LEXINGTON, KENTUCKY 40511 PHONE: 606-253-4544 FAX: 606-253-4346				ORDER NO.	P3524
MID STATES STEEL PRODUCTS CO. FABRICATORS OF STRUCTURAL AND MISCELLANEOUS STEEL				SHEET NO.	401

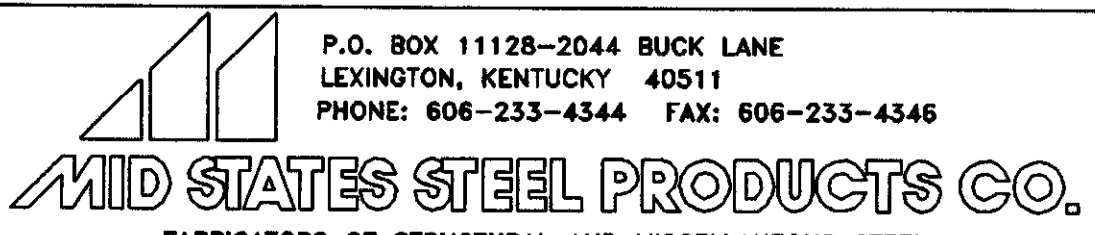
Cab # Slot  
 205 D-1  
 Document #  
 34776

**BILL OF MATERIAL**

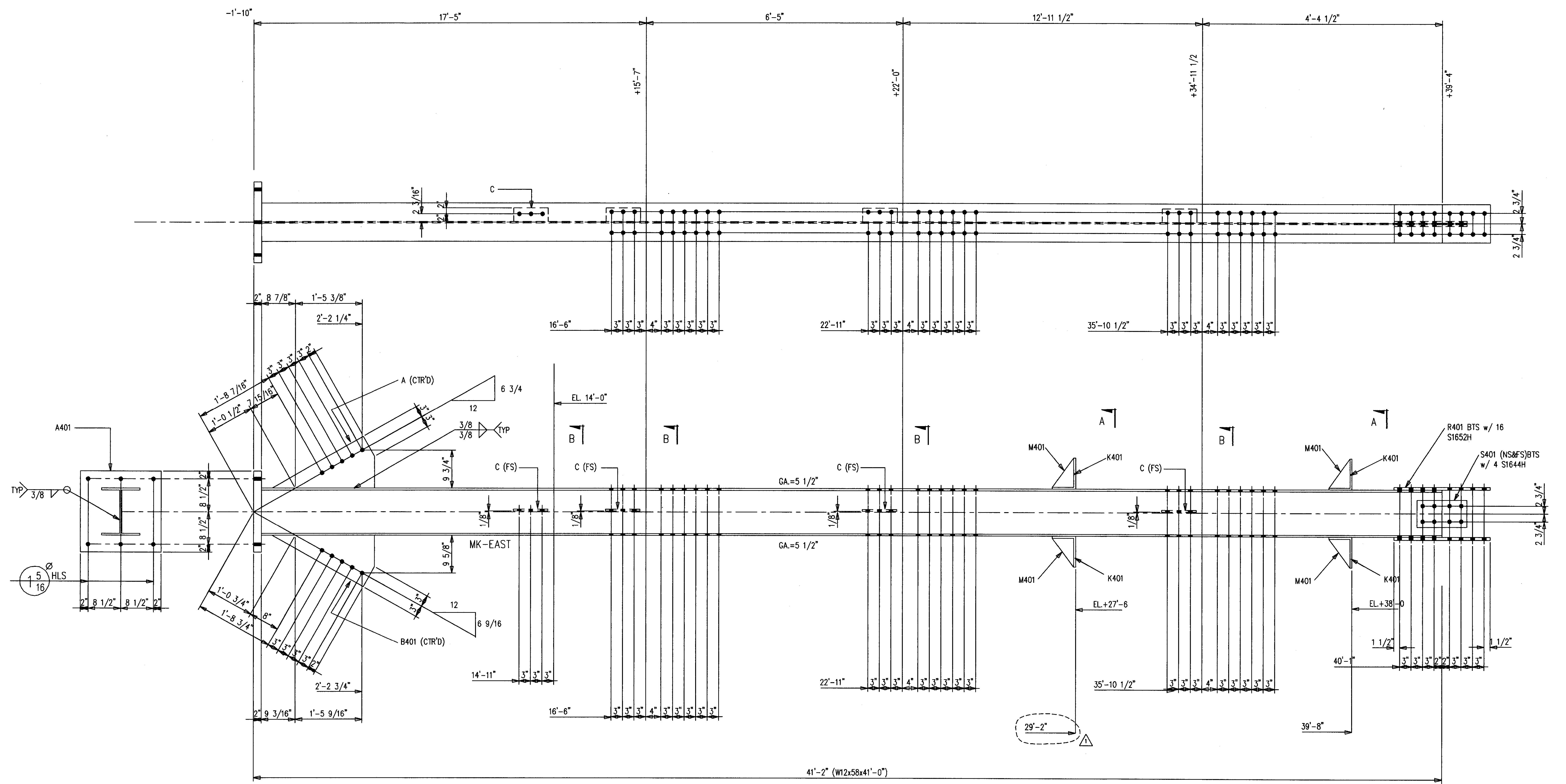
MARK	QUAN.	DESCRIPTION	LENGTH		REMARKS
			FT.	IN.	
401C1 L	ONE	COLUMN			
401C1	1	W12X58 A572	41	0	SC2E/P
A401	1	PL2X21	1	9	P
B401	1	PL1X13-7/16	2	3-3/8	P
C401	1	PL1X17-5/16	2	3-11/16	P
E401	2	FB3/8X11	1	0-13/16	STIFF
F401	2	PL3/8X4-3/4	0	11	STIFF
G401	2	PL3/8X12-3/4	1	0-3/4	STIFF
H401	2	PL3/8X4-3/4	0	4-3/4	STIFF
K401	2	L8X6X1/2	0	10	
M401	2	FB3/8X5-1/2	0	7-1/2	STIFF
R401	2	FB1X10	2	1	P
S1644H	4	A490 1X2-3/4			
S1652H	16	A490 1X3-1/4			
S16LIW	20	A LOAD IND 1			
S401	2	PL3/8X8-1/2	1	1	P
401C1 R	ONE	COLUMN			
401C1	1	W12X58 A572	41	0	SC2E/P
A401	1	PL2X21	1	9	P
B401	1	PL1X13-7/16	2	3-3/8	P
C401	1	PL1X17-5/16	2	3-11/16	P
E401	2	FB3/8X11	1	0-13/16	STIFF
F401	2	PL3/8X4-3/4	0	11	STIFF
G401	2	PL3/8X12-3/4	1	0-3/4	STIFF
H401	2	PL3/8X4-3/4	0	4-3/4	STIFF
K401	2	L8X6X1/2	0	10	
M401	2	FB3/8X5-1/2	0	7-1/2	STIFF
R401	2	FB1X10	2	1	P
S1644H	4	A490 1X2-3/4			
S1652H	16	A490 1X3-1/4			
S16LIW	20	A LOAD IND 1			
S401	2	PL3/8X8-1/2	1	1	P

**AS BUILT**  
 NAME: *Walter Moore*  
 DATE: **AUG 16 1999**

ALL RE-ENTRANT CUTS MIN. 1/2" RAD. U/W	WELD ELECTRODE U/W E70XX
ALL A325 BOLTS w/ONE HARD WASH. AND HVY HEX NUT	SHOP PAINT SEE SPECS
ALL A307 BOLTS w/HEX NUT	DRAWING TITLE
DATE	APP
SHOP	FIELD

NO.	DATE	REVISION DESCRIPTION	DRW.	CD
CONTRACTOR TO CHECK ALL DIMENSIONS AT JOB AS MID STATES STEEL PRODUCTS CO. ASSUMES NO RESPONSIBILITY FOR GENERAL BUILDING DIMENSIONS. NO BACK CHARGES PERTAINING TO THIS WORK WILL BE ACCEPTED WITHOUT PRIOR AUTHORIZATION BY MID STATES STEEL PRODUCTS CO.				
MATERIAL U/W	A36	DRAWN BY	JDL	JOB NAME
OPEN HOLES U/W	1 1/16"	DATE	9/98	JOB LOCATION
WELD ELECTRODE U/W	E70XX	CHECKED BY	GCL	CONTRACTOR
SHOP PAINT	SEE SPECS	DATE	9/98	ENGINEER
DRAWING TITLE: BOM FOR 401				
 P.O. BOX 11128-2044 BUCK LANE LEXINGTON, KENTUCKY 40511 PHONE: 606-233-4344 FAX: 606-233-4346				ORDER NO.
				P3524
				SHEET NO.
				402

Cab # 206  
 Slot # 34777  
 Document #



SHOP NOTES:  
 1. PRIMER ONLY 3" AROUND ALL HOLES UNLESS NOTED PF(PRIMER/FINISH).  
 2. P=PRIMER ONLY AS DIMENSIONED.  
 3. NP=NO PAINT IN 3" WIDE STRIP, CENTER OF BEAM, FULL LENGTH.

ONE-COLUMN 403C1 R [AS SHOWN]  
 ONE-COLUMN 403C1 L [OPP HAND]

SHOP NOTE !  
 SEE SHT 404 FOR BILL OF MATERIAL & SECTIONS

**AS BUILT**  
 NAME: *Walter P. Moore*  
 DATE: **AUG 16 1999**

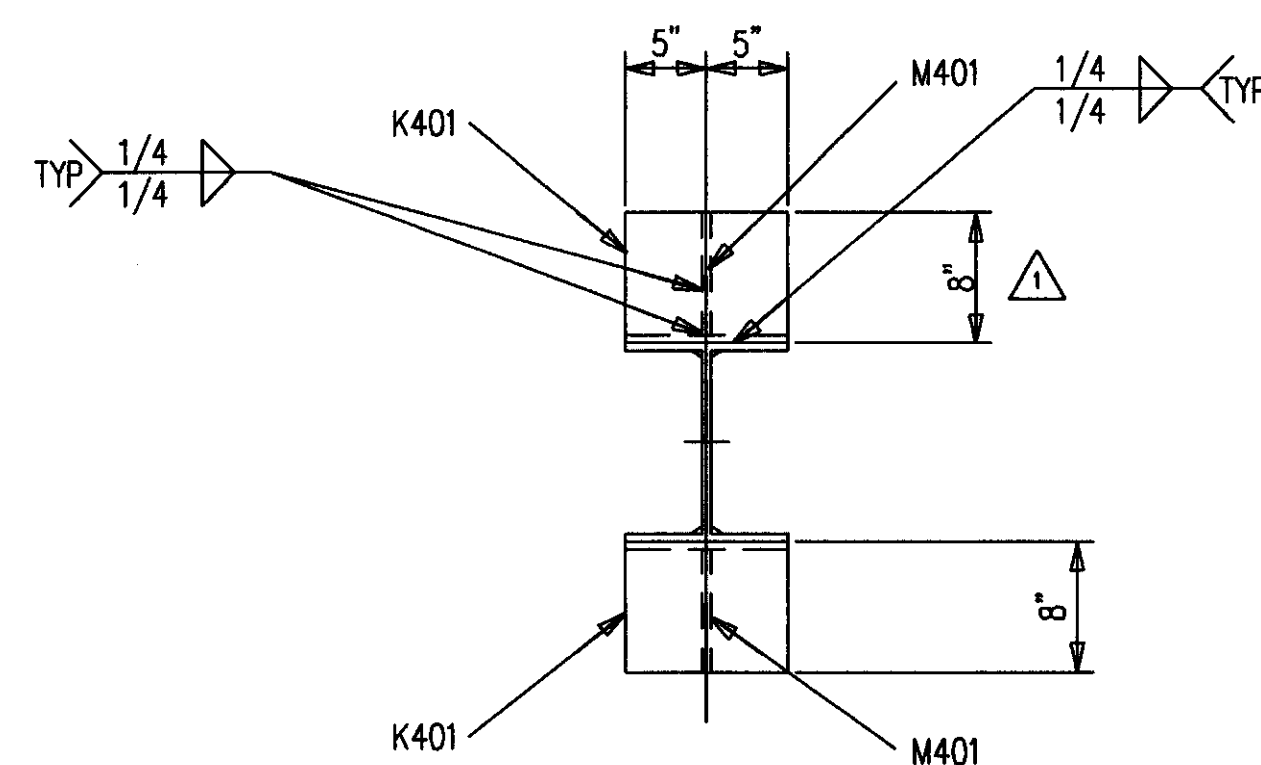
NO.	DATE	REVISION DESCRIPTION	DRW	CHKD
1	1/18/99	MOVED HAUNCH		
CONTRACTOR TO CHECK ALL DIMENSIONS AT JOB AS MID STATES STEEL PRODUCTS CO. ASSUMES NO RESPONSIBILITY FOR GENERAL BUILDING DIMENSIONS. NO BACK CHARGES PERTAINING TO THIS WORK WILL BE ACCEPTED WITHOUT PRIOR AUTHORIZATION BY MID STATES STEEL PRODUCTS CO.				
MATERIAL U/N	A36	DRW BY	JDL	JOB NAME
OPEN HOLES U/N	1 1/16 Ø	DATE	9/98	JOB LOCATION
WELD ELECTRODE U/N	E70XX	CHECKED BY	GCL	CONTRACTOR
SHOP PAINT	SEE SPECS	DATE	9/98	ENGINEER
DRAWING TITLE: COLUMN				
P.O. BOX 11128-2044 BUCK LANE LEXINGTON, KENTUCKY 40511 PHONE: 606-233-4344 FAX: 606-233-4346				ORDER NO.
<b>MID STATES STEEL PRODUCTS CO.</b> FABRICATORS OF STRUCTURAL AND MISCELLANEOUS STEEL				P3524
				SHEET NO.
				403

Document # 34778  
 Cab # 910c  
 206 0-1

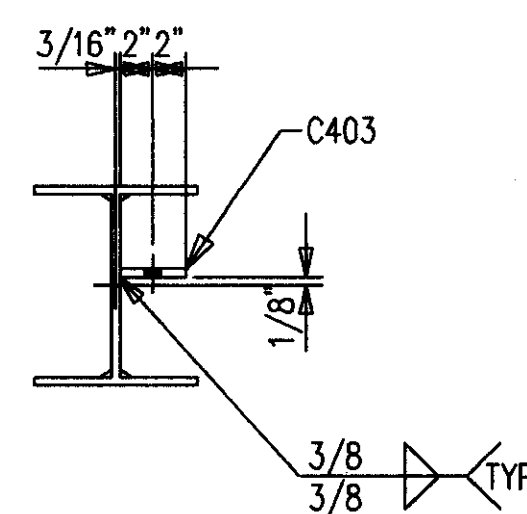


# BILL OF MATERIAL

MARK	QUAN.	DESCRIPTION	LENGTH		REMARKS
			FT.	IN.	
403C1 L	ONE	COLUMN			
403C1	1	W12X58 A572	41	0	SC2E/P
A401	1	PL2X21	1	9	P
A403	1	PL1X13-3/8	2	2-3/4	P
B401	1	PL1X13-7/16	2	3-3/8	P
C403	4	FBI/2X4	0	9	P
K401	4	L8X6X1/2	0	10	P
M401	4	FBI/8X5-1/2	0	7-1/2	STIFF
R401	2	FBIX10	2	1	P
S1644H	4	A490 1X2-3/4			
S1652H	16	A490 1X3-1/4			
S16LIW	20	A LOAD IND 1			
S401	2	PL3/8X8-1/2	1	1	P
403C1 R	ONE	COLUMN			
403C1	1	W12X58 A572	41	0	SC2E/P
A401	1	PL2X21	1	9	P
A403	1	PL1X13-3/8	2	2-3/4	P
B401	1	PL1X13-7/16	2	3-3/8	P
C403	4	FBI/2X4	0	9	P
K401	4	L8X6X1/2	0	10	P
M401	4	FBI/8X5-1/2	0	7-1/2	STIFF
R401	2	FBIX10	2	1	P
S1644H	4	A490 1X2-3/4			
S1652H	16	A490 1X3-1/4			
S16LIW	20	A LOAD IND 1			
S401	2	PL3/8X8-1/2	1	1	P



SECTION A



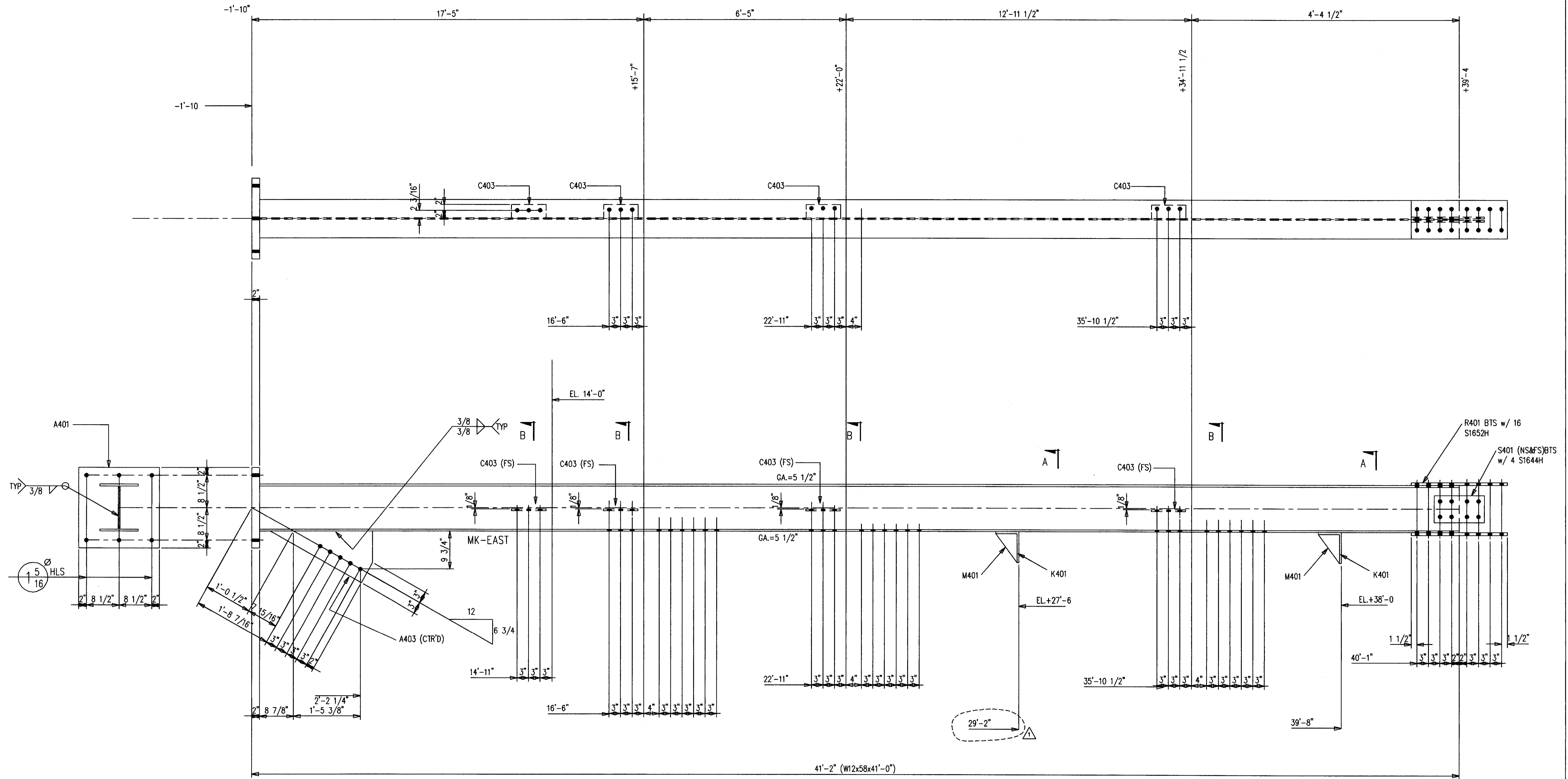
SECTION B

**AS BUILT**  
 NAME: *Map Hughes*  
 DATE: **AUG 16 1999**

DATE	APP	SHOP	FIELD

NO.	1	DATE	1/18/99	REVISION DESCRIPTION	MOVED HAUNCH	DWN	CRD
<small>CONTRACTOR TO CHECK ALL DIMENSIONS AT JOB AS MID STATES STEEL PRODUCTS CO. ASSUMES NO RESPONSIBILITY FOR GENERAL BUILDING DIMENSIONS. NO BACK CHARGES PERTAINING TO THIS WORK WILL BE ACCEPTED WITHOUT PRIOR AUTHORIZATION BY MID STATES STEEL PRODUCTS CO.</small>							
MATERIAL U/N	A36	DRAWN BY	JDL	JOB NAME	COMMONWEALTH STADIUM EXPANSION		
OPEN HOLES U/N	1 1/16"	DATE	9/98	JOB LOCATION	UNIVERSITY OF KENTUCKY		
WELD ELECTRODE U/N	E70XX	CHECKED BY	GCL	CONTRACTOR	TURNER CONSTRUCTION COMPANY		
SHOP PAINT	SEE SPECS	DATE	9/98	ENGINEER	WALTER P. MOORE AND ASSOCIATES, INC.		
DRAWING TITLE				BOM FOR 403			
P.O. BOX 11128-2044 BUCK LANE LEXINGTON, KENTUCKY 40511 PHONE: 606-233-4344 FAX: 606-233-4346						ORDER NO.	P3524
						SHEET NO.	404

Document # 34779  
 Cab # 206  
 Sheet D-1



**SHOP NOTES:**

1. PRIMER ONLY 3" AROUND ALL HOLES UNLESS NOTED PF(PRIMER/FINISH).
2. P=PRIMER ONLY AS DIMENSIONED.
3. NP=NO PAINT IN 3" WIDE STRIP, CENTER OF BEAM, FULL LENGTH.

ONE-COLUMN 405C1 R [AS SHOWN]  
 ONE-COLUMN 405C1 L [OPP HAND]

SHOP NOTE !  
 SEE SHT 406 FOR BILL OF MATERIAL & SECTIONS

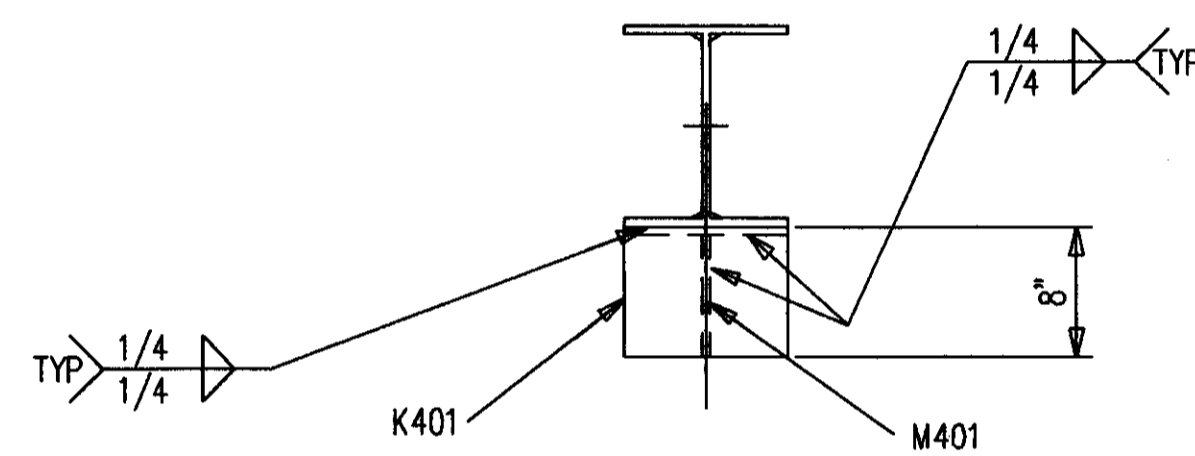
**AS BUILT**  
 NAME: *Max Hughes*  
 DATE: **AUG 16 1999**

NO.	DATE	REVISION DESCRIPTION	DMN	LD
1	1/18/99	MOVED HAUNCH		
CONTRACTOR TO CHECK ALL DIMENSIONS AT JOB AS MID STATES STEEL PRODUCTS CO. ASSUMES NO RESPONSIBILITY FOR GENERAL BUILDING DIMENSIONS. NO BACK CHARGES PERTAINING TO THIS WORK WILL BE ACCEPTED WITHOUT PRIOR AUTHORIZATION BY MID STATES STEEL PRODUCTS CO.				
MATERIAL U/W	A36	DRAWN BY	JDL	JOB NAME
OPEN HOLES U/W	1 1/16 ø	DATE	9/98	JOB LOCATION
WELD ELECTRODE U/W	E70XX	CHECKED BY	GCL	CONTRACTOR
SHOP PAINT	SEE SPECS	DATE	9/98	ENGINEER
ALL A307 BOLTS w/ HEX NUT		DRAWING TITLE	COLUMN	
DATE	APP	SHOP	FIELD	
P.O. BOX 11128-2044 BUCK LANE LEXINGTON, KENTUCKY 40511 PHONE: 606-233-4344 FAX: 606-233-4346				ORDER NO.
MID STATES STEEL PRODUCTS CO. FABRICATORS OF STRUCTURAL AND MISCELLANEOUS STEEL				P3524
				SHEET NO. 405

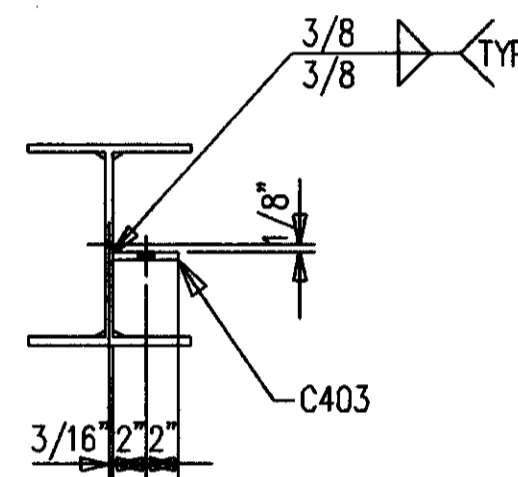
Document # 34780  
 Cab # Slot D-1  
 206

BILL OF MATERIAL

MARK	QUAN.	DESCRIPTION	LENGTH		REMARKS
			FT.	IN.	
405C1 L	ONE	COLUMN			
405C1	1	W12X58 A572	41	0	SC2E/P
A401	1	PL2X21	1	9	P
A403	1	PL1X13-3/8	2	2-3/4	P
C403	4	FB1/2X4	0	9	P
K401	2	L8X6X1/2	0	10	
M401	2	FB3/8X5-1/2	0	7-1/2	STIFF
R401	2	FB1X10	2	1	P
S1644H	4	A490 1X2-3/4			
S1652H	16	A490 1X3-1/4			
S16L1W	20	A LOAD IND 1			
S401	2	PL3/8X8-1/2	1	1	P
405C1 R	ONE	COLUMN			
405C1	1	W12X58 A572	41	0	SC2E/P
A401	1	PL2X21	1	9	P
A403	1	PL1X13-3/8	2	2-3/4	P
C403	4	FB1/2X4	0	9	P
K401	2	L8X6X1/2	0	10	
M401	2	FB3/8X5-1/2	0	7-1/2	STIFF
R401	2	FB1X10	2	1	P
S1644H	4	A490 1X2-3/4			
S1652H	16	A490 1X3-1/4			
S16L1W	20	A LOAD IND 1			
S401	2	PL3/8X8-1/2	1	1	P



SECTION A

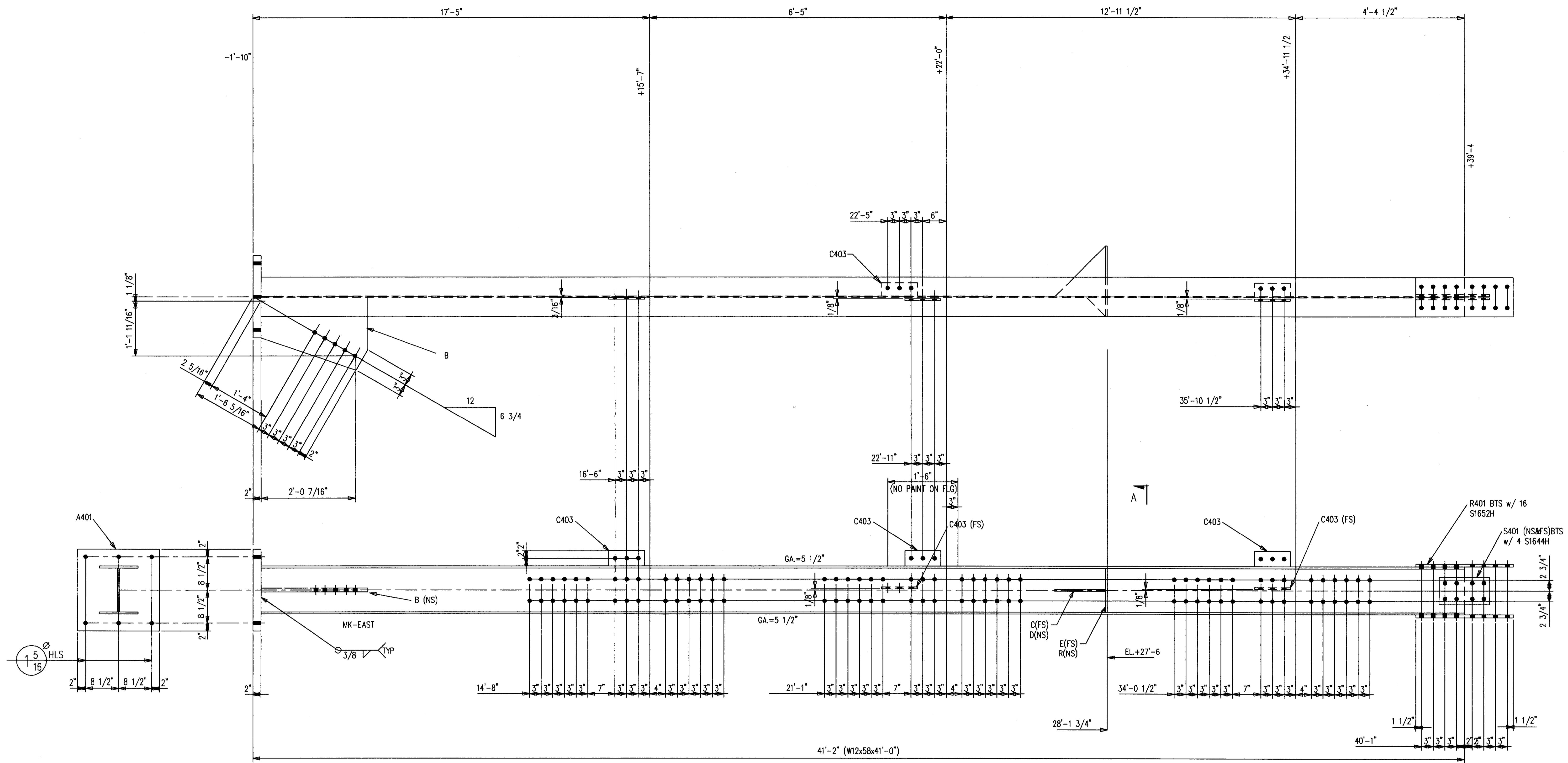


SECTION B

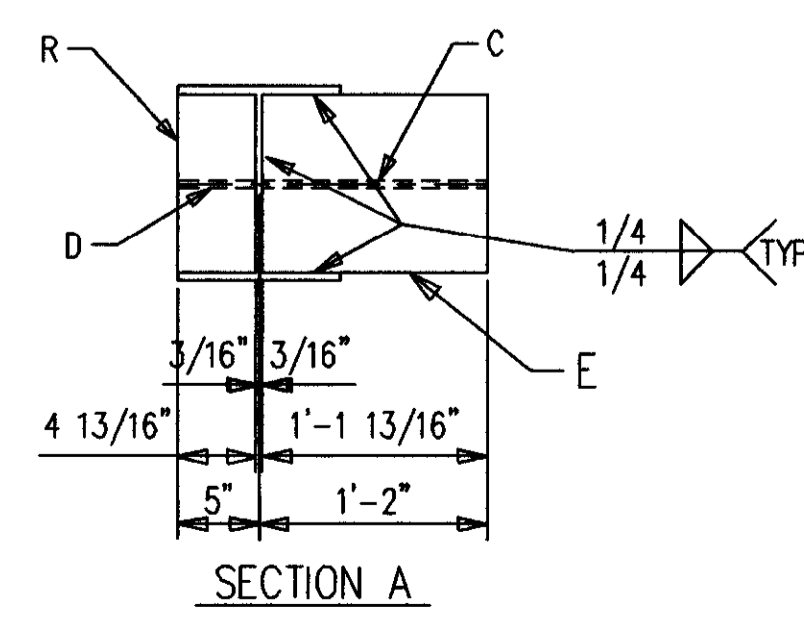
**AS BUILT**  
 NAME: *Walter P. Moore*  
 DATE: **AUG 16 1999**

NO.	DATE	REVISION DESCRIPTION	DWN	CRD	
<small>CONTRACTOR TO CHECK ALL DIMENSIONS AT JOB AS MID STATES STEEL PRODUCTS CO. ASSUMES NO RESPONSIBILITY FOR GENERAL BUILDING DIMENSIONS. NO BACK CHARGES PERTAINING TO THIS WORK WILL BE ACCEPTED WITHOUT PRIOR AUTHORIZATION BY MID STATES STEEL PRODUCTS CO.</small>					
MATERIAL U/N	A36	DRAWN BY	JDL	JOB NAME	COMMONWEALTH STADIUM EXPANSION
OPEN HOLES U/N	1 1/16φ	DATE	9/98	JOB LOCATION	UNIVERSITY OF KENTUCKY
WELD ELECTRODE U/N	E70XX	CHECKED BY	GCL	CONTRACTOR	TURNER CONSTRUCTION COMPANY
SHOP PAINT	SEE SPECS	DATE	9/98	ENGINEER	WALTER P. MOORE AND ASSOCIATES, INC.
ALL RE-ENTRANT CUTS MIN. 1/2" RAD. U/N ALL A325 BOLTS w/ONE HARD WASH. AND HVY HEX NUT ALL A307 BOLTS w/HEX NUT					
DRAWING TITLE: <b>BOM FOR 405</b>					
DATE	APP	SHOP	FIELD		
P.O. BOX 11128-2044 BUCK LANE LEXINGTON, KENTUCKY 40511 PHONE: 606-233-4344 FAX: 606-233-4346				ORDER NO. <b>P3524</b>	
<b>MID STATES STEEL PRODUCTS CO.</b> FABRICATORS OF STRUCTURAL AND MISCELLANEOUS STEEL				SHEET NO. <b>406</b>	

Document # 34781  
 Cab # Slot D-1  
 206



SHOP NOTES:  
 1. PRIMER ONLY 3" AROUND ALL HOLES UNLESS NOTED PF(PRIMER/FINISH).  
 2. P=PRIMER ONLY AS DIMENSIONED.  
 3. NP=NO PAINT IN 3" WIDE STRIP, CENTER OF BEAM, FULL LENGTH.



ONE-COLUMN 407C1 R [AS SHOWN]  
 ONE-COLUMN 407C1 L [OPP HAND]

SHOP NOTE!  
 SEE SHT 408 FOR BILL OF MATERIAL & SECTIONS

**AS BUILT**  
 NAME: *Walter Moore*  
 DATE: **AUG 16 1999**

DATE	APP	SHOP	FIELD

NO.	DATE	REVISION DESCRIPTION	DRW	CHK

CONTRACTOR TO CHECK ALL DIMENSIONS AT JOB AS MID STATES STEEL PRODUCTS CO. ASSUMES NO RESPONSIBILITY FOR GENERAL BUILDING DIMENSIONS. NO BACK CHARGES PERTAINING TO THIS WORK WILL BE ACCEPTED WITHOUT PRIOR AUTHORIZATION BY MID STATES STEEL PRODUCTS CO.

MATERIAL U/N A36	DRAWN BY <b>JDL</b>	JOB NAME COMMONWEALTH STADIUM EXPANSION
OPEN HOLES U/N 1 1/16 Ø	DATE 9/98	JOB LOCATION UNIVERSITY OF KENTUCKY
WELD ELECTRODE U/N E70XX	CHECKED BY <b>GCL</b>	CONTRACTOR TURNER CONSTRUCTION COMPANY
SHOP PAINT SEE SPECS	DATE 9/98	ENGINEER WALTER P. MOORE AND ASSOCIATES, INC.

DRAWING TITLE **COLUMN**

P.O. BOX 11128-2044 BUCK LANE LEXINGTON, KENTUCKY 40511 PHONE: 606-233-4344 FAX: 606-233-4346	ORDER NO. <b>P3524</b>
<b>MID STATES STEEL PRODUCTS CO.</b> FABRICATORS OF STRUCTURAL AND MISCELLANEOUS STEEL	SHEET NO. <b>407</b>

cab # 206  
 sheet # 407  
 Document # 34782  
 D-1

# BILL OF MATERIAL

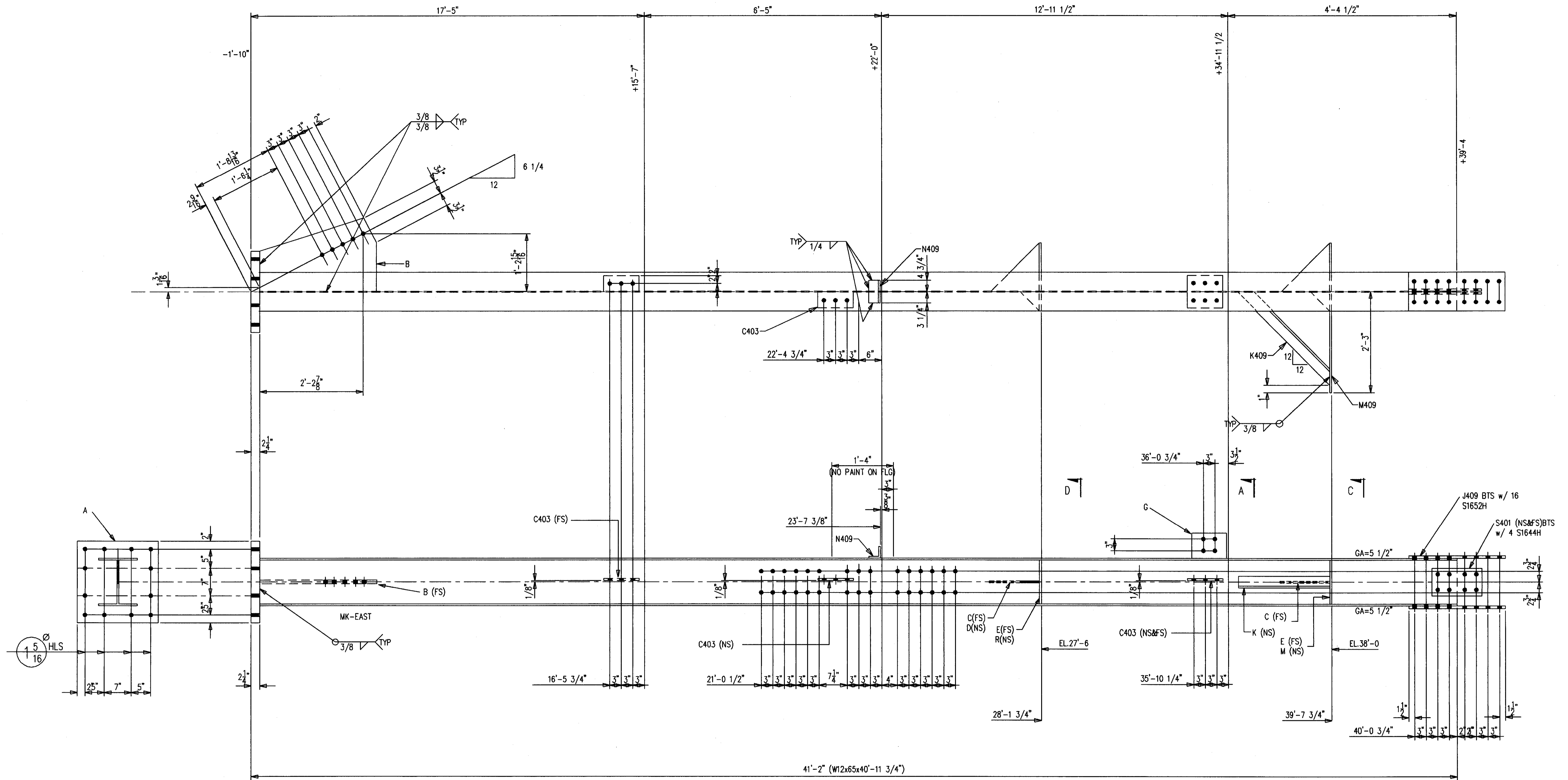
MARK	QUAN.	DESCRIPTION	LENGTH		REMARKS
			FT.	IN.	
407C1 L	ONE	COLUMN			
407C1	1	W12X58 A572	41	0	SC2E/P
A401	1	PL2X21	1	9	P
B407	1	PL1X17-5/16	2	3-11/16	P
C403	5	FB1/2X4	0	9	P
R401	2	FB1X10	2	1	P
S1644H	4	A490 1X2-3/4			
S1652H	16	A490 1X3-1/4			
S16LIW	20	A LOAD IND 1			
S401	2	PL3/8X8-1/2	1	1	P
C407	1	PL3/8X13-13/16	1	1-13/16	STIFF
D407	1	PL3/8X4-13/16	0	4-13/16	STIFF
E407	1	PL3/8X10-7/8	1	1-13/16	
R407	1	PL3/8X4-13/16	0	10-7/8	
407C1 R	ONE	COLUMN			
407C1	1	W12X58 A572	41	0	SC2E/P
A401	1	PL2X21	1	9	P
B407	1	PL1X17-5/16	2	3-11/16	P
C403	5	FB1/2X4	0	9	P
R401	2	FB1X10	2	1	P
S1644H	4	A490 1X2-3/4			
S1652H	16	A490 1X3-1/4			
S16LIW	20	A LOAD IND 1			
S401	2	PL3/8X8-1/2	1	1	P
C407	1	PL3/8X13-13/16	1	1-13/16	STIFF
D407	1	PL3/8X4-13/16	0	4-13/16	STIFF
E407	1	PL3/8X10-7/8	1	1-13/16	
R407	1	PL3/8X4-13/16	0	10-7/8	

**AS BUILT**

NAME: *Map Hughes*  
DATE: **AUG 16 1999**

NO.		DATE		REVISION DESCRIPTION				DWG. CDD	
CONTRACTOR TO CHECK ALL DIMENSIONS AT JOB AS MID STATES STEEL PRODUCTS CO. ASSUMES NO RESPONSIBILITY FOR GENERAL BUILDING DIMENSIONS. NO BACK CHARGES PERTAINING TO THIS WORK WILL BE ACCEPTED WITHOUT PRIOR AUTHORIZATION BY MID STATES STEEL PRODUCTS CO.									
MATERIAL U/N	A36	DRAWN BY	JDL	JOB NAME	COMMONWEALTH STADIUM EXPANSION				
OPEN HOLES U/N	1/16φ	DATE	9/98	JOB LOCATION	UNIVERSITY OF KENTUCKY				
WELD ELECTRODE U/N	E70XX	CHECKED BY	GCL	CONTRACTOR	TURNER CONSTRUCTION COMPANY				
SHOP PAINT	SEE SPECS	DATE	9/98	ENGINEER	WALTER P. MOORE AND ASSOCIATES, INC.				
ALL A307 BOLTS w/HEX NUT		DRAWING TITLE							
		BOM FOR 407							
DATE	APP	SHOP	FIELD					P.O. BOX 11128-2044 BUCK LANE LEXINGTON, KENTUCKY 40511 PHONE: 606-253-4344 FAX: 606-253-4346	ORDER NO. <b>P3524</b>
				<b>MID STATES STEEL PRODUCTS CO.</b> <small>FABRICATORS OF STRUCTURAL AND MISCELLANEOUS STEEL</small>				SHEET NO. <b>408</b>	

Cab # 206  
 Sheet D-1  
 Document # 34783



SHOP NOTES:  
 1. PRIMER ONLY 3" AROUND ALL HOLES UNLESS NOTED PF(PRIMER/FINISH).  
 2. P=PRIMER ONLY AS DIMENSIONED.  
 3. NP=NO PAINT IN 3" WIDE STRIP, CENTER OF BEAM, FULL LENGTH.

ONE-COLUMN 409C1 R [AS SHOWN]  
 ONE-COLUMN 409C1 L [OPP HAND]

SHOP NOTE !  
 SEE SHT 410 FOR BILL OF MATERIAL & SECTIONS

**AS BUILT**  
 NAME: *Map Hughes*  
 DATE: AUG 16 1999

DATE	APP	SHOP	FIELD

NO.	DATE	REVISION DESCRIPTION	OWN	APP

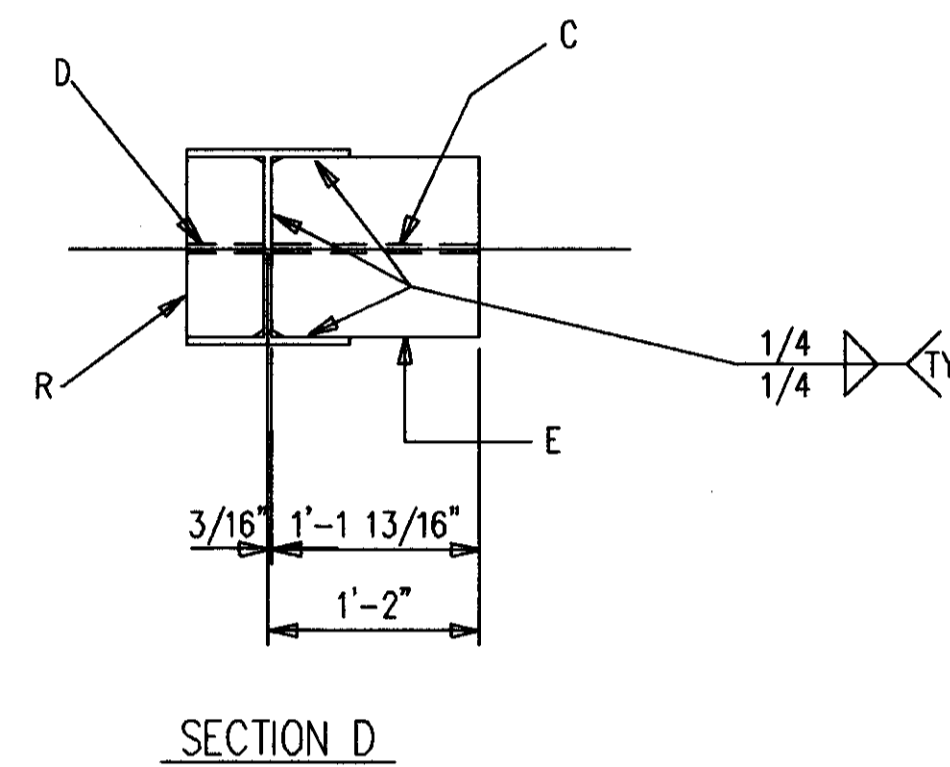
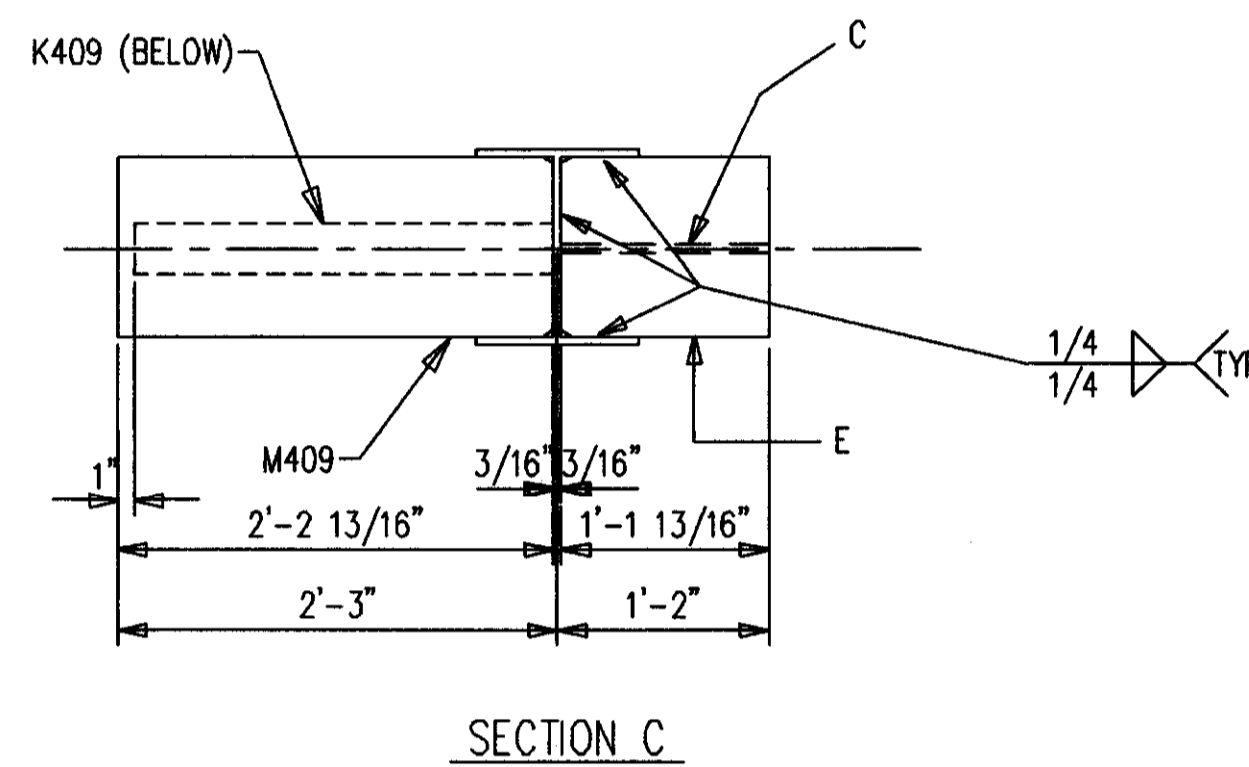
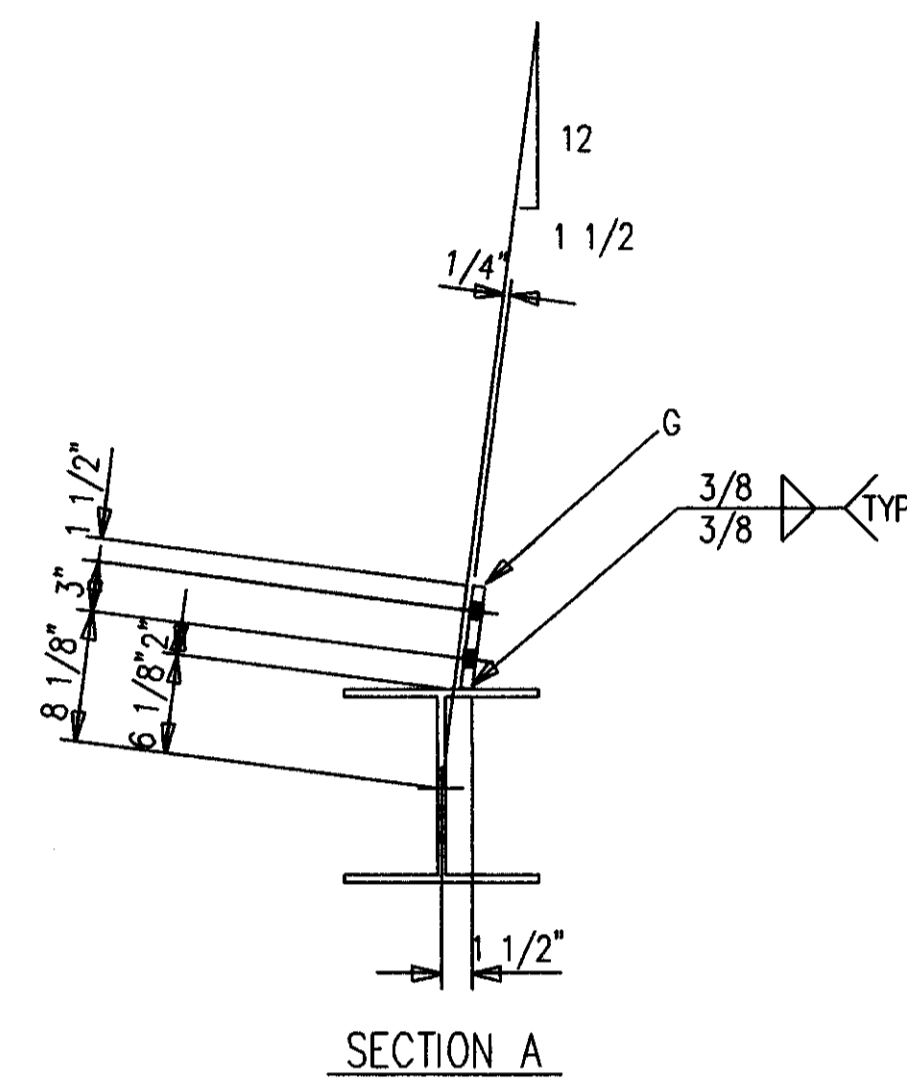
CONTRACTOR TO CHECK ALL DIMENSIONS AT JOB AS MID STATES STEEL PRODUCTS CO. ASSUMES NO RESPONSIBILITY FOR GENERAL BUILDING DIMENSIONS. NO BACK CHARGES PERTAINING TO THIS WORK WILL BE ACCEPTED WITHOUT PRIOR AUTHORIZATION BY MID STATES STEEL PRODUCTS CO.

MATERIAL U/N A36	DRAWN BY JDL	JOB NAME COMMONWEALTH STADIUM EXPANSION
OPEN HOLES U/N 1 1/16 Ø	DATE 9/98	JOB LOCATION UNIVERSITY OF KENTUCKY
WELD ELECTRODE U/N E70XX	CHECKED BY GCL	CONTRACTOR TURNER CONSTRUCTION COMPANY
SHOP PAINT SEE SPECS	DATE 9/98	ENGINEER WALTER P. MOORE AND ASSOCIATES, INC.
DRAWING TITLE COLUMN		

P.O. BOX 11128-2044 BUCK LANE  
 LEXINGTON, KENTUCKY 40511  
 PHONE: 606-253-4344 FAX: 606-253-4346

ORDER NO. P3524  
 SHEET NO. 409

MID STATES STEEL PRODUCTS CO.  
 FABRICATORS OF STRUCTURAL AND MISCELLANEOUS STEEL



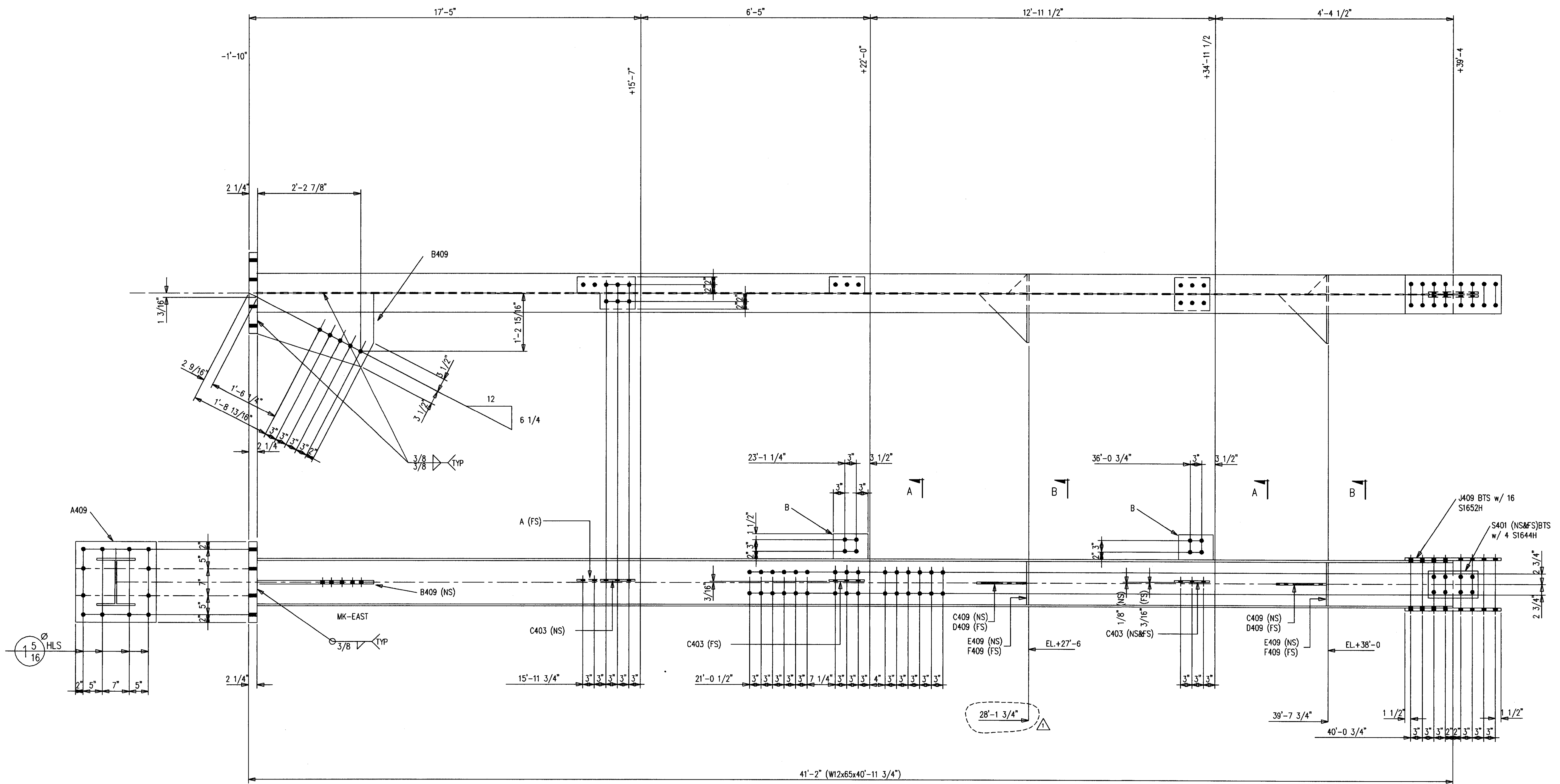
### BILL OF MATERIAL

MARK	QUAN.	DESCRIPTION	LENGTH		REMARKS
			FT.	IN.	
409C1 L	ONE	COLUMN			
409C1	1	W12X65 A572	40	11-3/4	SC2E/P
A409	1	PL2-1/4X21	1	9	P
B409	1	PL1X19	2	6-1/4	P
C409	2	PL3/8X13-13/16	1	1-13/16	STIFF
D409	1	PL3/8X5-13/16	0	5-13/16	STIFF
E409	2	PL3/8X10-7/8	1	1-13/16	STIFF
F409	OMIT	PL3/8X5-13/16	0	10-7/8	STIFF
G409	1	PL1/2X6-1/2	0	9	P
J409	2	FB1X12	2	1	P
K409	1	L3X3X3/16	3	0-1/2	BC2E
M409	1	PL5/8X10-7/8	2	2-13/16	STIFF
N409	1	L3X3X1/4	0	8	
S1644H	4	A490 1X2-3/4			
S1652H	16	A490 1X3-1/4			
S16L1W	20	A LOAD IND 1			
S401	2	PL3/8X8-1/2	1	1	P
C403	3	FB1/2X4	0	9	P
R409	1	PL3/8X5-13/16	0	10-7/8	
409C1 R	ONE	COLUMN			
409C1	1	W12X65 A572	40	11-3/4	SC2E/P
A409	1	PL2-1/4X21	1	9	P
B409	1	PL1X19	2	6-1/4	P
C409	2	PL3/8X13-13/16	1	1-13/16	STIFF
D409	1	PL3/8X5-13/16	0	5-13/16	STIFF
E409	2	PL3/8X10-7/8	1	1-13/16	STIFF
F409	OMIT	PL3/8X5-13/16	0	10-7/8	STIFF
G409	1	PL1/2X6-1/2	0	9	P
J409	2	FB1X12	2	1	P
K409	1	L3X3X3/16	3	0-1/2	BC2E
M409	1	PL5/8X10-7/8	2	2-13/16	STIFF
N409	1	L3X3X1/4	0	8	
S1644H	4	A490 1X2-3/4			
S1652H	16	A490 1X3-1/4			
S16L1W	20	A LOAD IND 1			
S401	2	PL3/8X8-1/2	1	1	P
C403	3	FB1/2X4	0	9	P
R409	1	PL3/8X5-13/16	0	10-7/8	

**AS BUILT**  
 NAME: *Map Hughes*  
 DATE: **AUG 16 1999**

NO.	DATE	REVISION DESCRIPTION	OWN	COO	
CONTRACTOR TO CHECK ALL DIMENSIONS AT JOB AS MID STATES STEEL PRODUCTS CO. ASSUMES NO RESPONSIBILITY FOR GENERAL BUILDING DIMENSIONS. NO BACK CHARGES PERTAINING TO THIS WORK WILL BE ACCEPTED WITHOUT PRIOR AUTHORIZATION BY MID STATES STEEL PRODUCTS CO.					
MATERIAL U/N	A36	DRAWN BY	JDL	JOB NAME	COMMONWEALTH STADIUM EXPANSION
OPEN HOLES U/N	1 1/16φ	DATE	9/98	JOB LOCATION	UNIVERSITY OF KENTUCKY
WELD ELECTRODE U/N	E70XX	CHECKED BY	GCL	CONTRACTOR	TURNER CONSTRUCTION COMPANY
SHOP PAINT	SEE SPECS	DATE	9/98	ENGINEER	WALTER P. MOORE AND ASSOCIATES, INC.
DRAWING TITLE: BOM FOR 409					
P.O. BOX 11128-2044 BUCK LANE LEXINGTON, KENTUCKY 40511 PHONE: 606-233-4344 FAX: 606-233-4346				ORDER NO.	P3524
<b>MID STATES STEEL PRODUCTS CO.</b> FABRICATORS OF STRUCTURAL AND MISCELLANEOUS STEEL				SHEET NO.	410

DATE	APP	SHOP	FIELD



SHOP NOTES:  
 1. PRIMER ONLY 3" AROUND ALL HOLES UNLESS NOTED PF(PRIMER/FINISH).  
 2. P=PRIMER ONLY AS DIMENSIONED.  
 3. NP=NO PAINT IN 3" WIDE STRIP, CENTER OF BEAM, FULL LENGTH.

ONE-COLUMN 411C1 R [AS SHOWN]  
 ONE-COLUMN 411C1 L [OPP HAND]

SHOP NOTE !  
 SEE SHT 412 FOR BILL OF MATERIAL & SECTIONS

**AS BUILT**  
 NAME: *W. Hughes*  
 DATE: **AUG 18 1999**

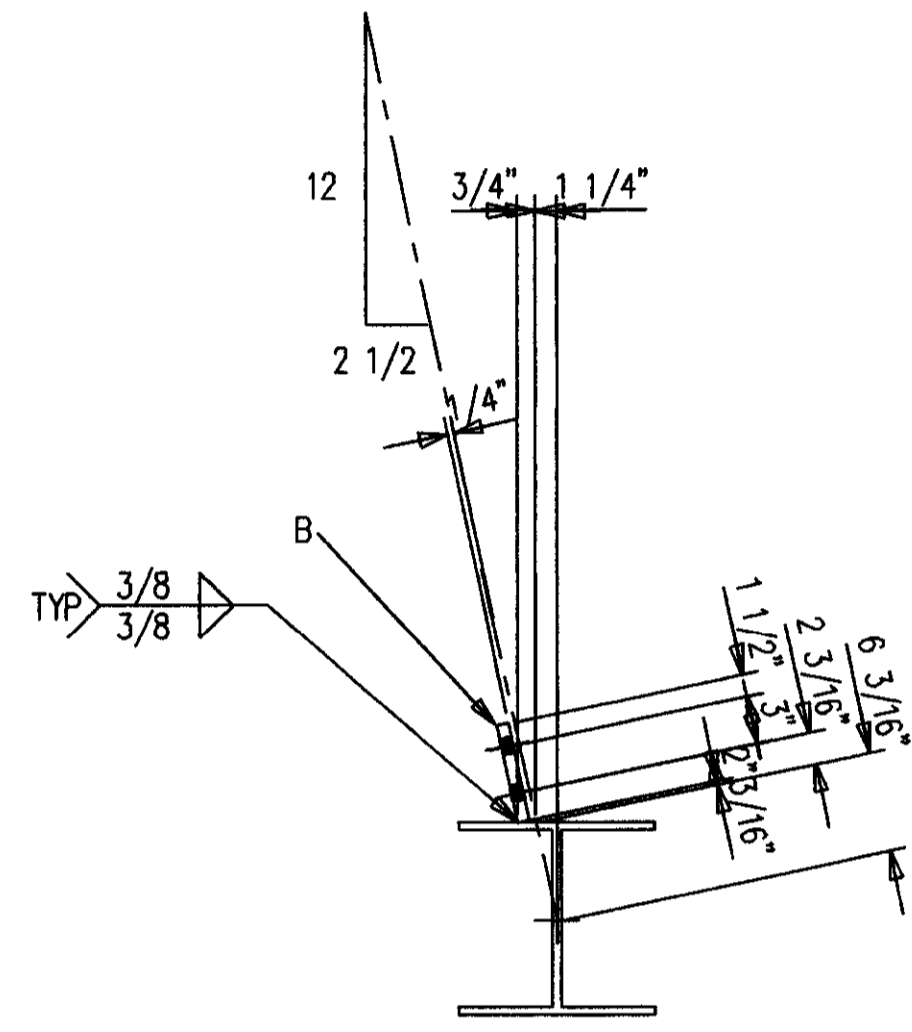
1	1/18/99	MOVED HAUNCH		
NO.	DATE	REVISION DESCRIPTION	BY	CHKD.
CONTRACTOR TO CHECK ALL DIMENSIONS AT JOB AS MID STATES STEEL PRODUCTS CO. ASSUMES NO RESPONSIBILITY FOR GENERAL BUILDING DIMENSIONS. NO BACK CHARGES PERTAINING TO THIS WORK WILL BE ACCEPTED WITHOUT PRIOR AUTHORIZATION BY MID STATES STEEL PRODUCTS CO.				
MATERIAL U/N	A36	DRAWN BY	JDL	JOB NAME
OPEN HOLES U/N	1 1/16 Ø	DATE	9/98	JOB LOCATION
WELD ELECTRODE U/N	E70XX	CHECKED BY	GCL	CONTRACTOR
SHOP PAINT	SEE SPECS	DATE	9/98	ENGINEER
ALL A307 BOLTS w/HEX NUT				
ALL A325 BOLTS w/ONE HARD WASH. AND HVY HEX NUT				
ALL RE-ENTRANT CUTS MIN. 1/2" RAD. U/N				
DRAWING TITLE				
COLUMN				
DATE	APP	SHOP	FIELD	
P.O. BOX 11128-2044 BUCK LANE LEXINGTON, KENTUCKY 40511 PHONE: 606-233-4344 FAX: 606-233-4346			ORDER NO.	P3524
MID STATES STEEL PRODUCTS CO. FABRICATORS OF STRUCTURAL AND MISCELLANEOUS STEEL			SHEET NO.	411

Document # 34786  
 Cab # 206  
 Slot D-1  
 SHEET NO. 411

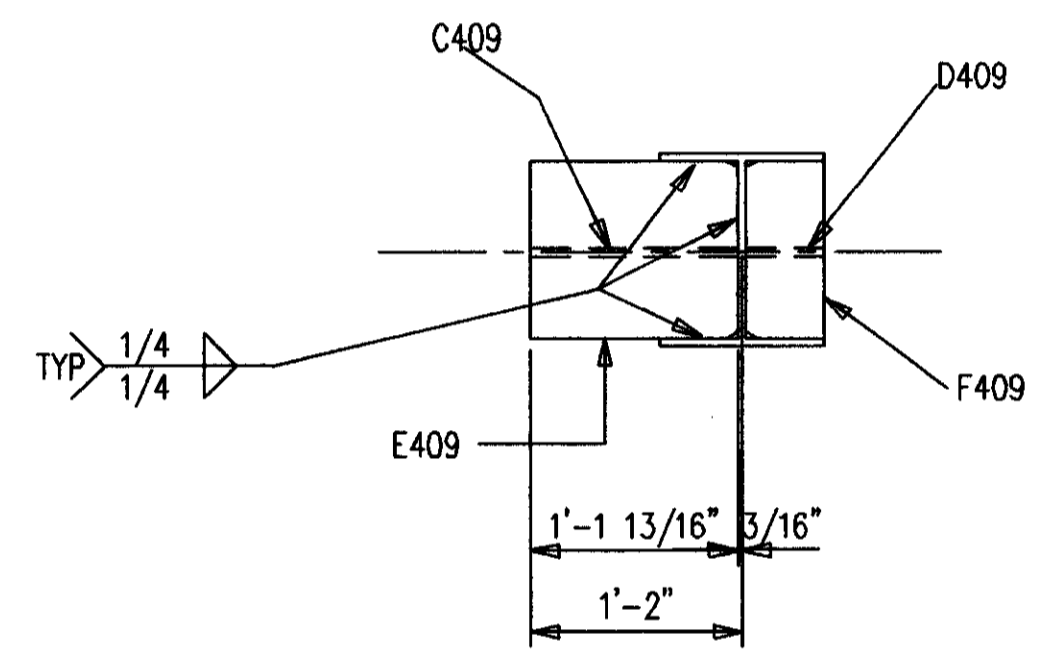


BILL OF MATERIAL

MARK	QUAN.	DESCRIPTION	LENGTH		REMARKS
			FT.	IN.	
411C1 L	ONE	COLUMN			
411C1	1	W12X65 A572	40	11-3/4	SC2E/P
A409	1	PL2-1/4X21	1	9	P
A411	1	FBI/2X4	1	3	P
B409	1	PL1X19	2	6-1/4	P
B411	2	PL1/2X6-1/2	0	9	P
C403	4	FBI/2X4	0	9	P
C409	2	PL3/8X13-13/16	1	1-13/16	STIFF
D409	2	PL3/8X5-13/16	0	5-13/16	STIFF
E409	2	PL3/8X10-7/8	1	1-13/16	STIFF
F409	2	PL3/8X5-13/16	0	10-7/8	STIFF
J409	2	FBIX12	2	1	P
S1644H	4	A490 1X2-3/4			
S1652H	16	A490 1X3-1/4			
S16LIW	20	A LOAD IND 1			
S401	2	PL3/8X8-1/2	1	1	P
411C1 R	ONE	COLUMN			
411C1	1	W12X65 A572	40	11-3/4	SC2E/P
A409	1	PL2-1/4X21	1	9	P
A411	1	FBI/2X4	1	3	P
B409	1	PL1X19	2	6-1/4	P
B411	2	PL1/2X6-1/2	0	9	P
C403	4	FBI/2X4	0	9	P
C409	2	PL3/8X13-13/16	1	1-13/16	STIFF
D409	2	PL3/8X5-13/16	0	5-13/16	STIFF
E409	2	PL3/8X10-7/8	1	1-13/16	STIFF
F409	2	PL3/8X5-13/16	0	10-7/8	STIFF
J409	2	FBIX12	2	1	P
S1644H	4	A490 1X2-3/4			
S1652H	16	A490 1X3-1/4			
S16LIW	20	A LOAD IND 1			
S401	2	PL3/8X8-1/2	1	1	P



SECTION A



SECTION B

**AS BUILT**  
 NAME: *Max Hughes*  
 DATE: **AUG 16 1999**

DATE	APP.	SHOP	FIELD

NO.	DATE	REVISION DESCRIPTION	DWN.	LOG.

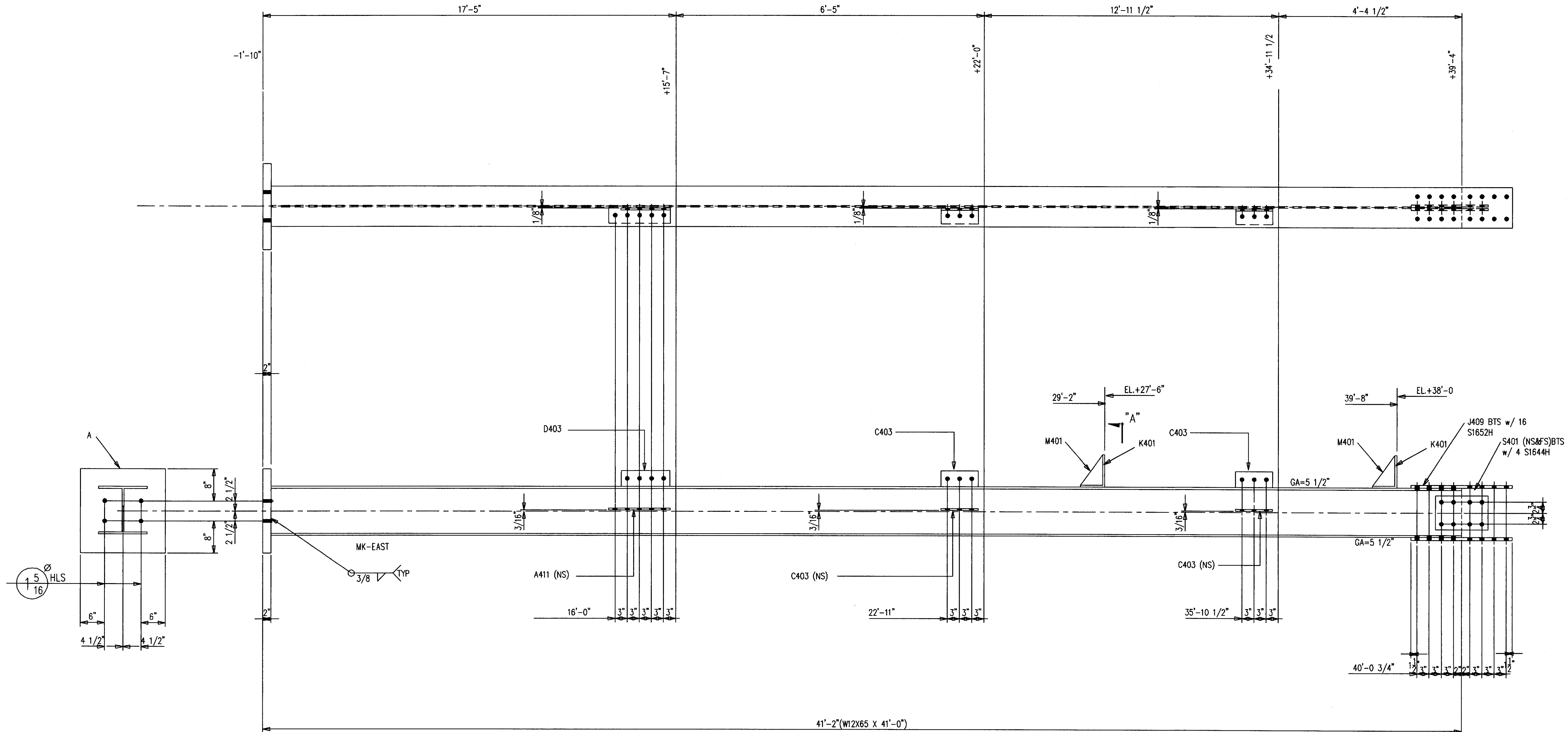
CONTRACTOR TO CHECK ALL DIMENSIONS AT JOB AS MID STATES STEEL PRODUCTS CO. ASSUMES NO RESPONSIBILITY FOR GENERAL BUILDING DIMENSIONS. NO BACK CHARGES PERTAINING TO THIS WORK WILL BE ACCEPTED WITHOUT PRIOR AUTHORIZATION BY MID STATES STEEL PRODUCTS CO.

MATERIAL U/N	A36	DRAWN BY	JDL	JOB NAME	COMMONWEALTH STADIUM EXPANSION
OPEN HOLES U/N	1 1/16φ	DATE	9/98	JOB LOCATION	UNIVERSITY OF KENTUCKY
WELD ELECTRODE U/N	E70XX	CHECKED BY	GCL	CONTRACTOR	TURNER CONSTRUCTION COMPANY
SHOP PAINT	SEE SPECS	DATE	9/98	ENGINEER	WALTER P. MOORE AND ASSOCIATES, INC.
DRAWING TITLE	BOM FOR 411				

P.O. BOX 11128-2044 BUCK LANE  
 LEXINGTON, KENTUCKY 40511  
 PHONE: 606-233-4344 FAX: 606-233-4346

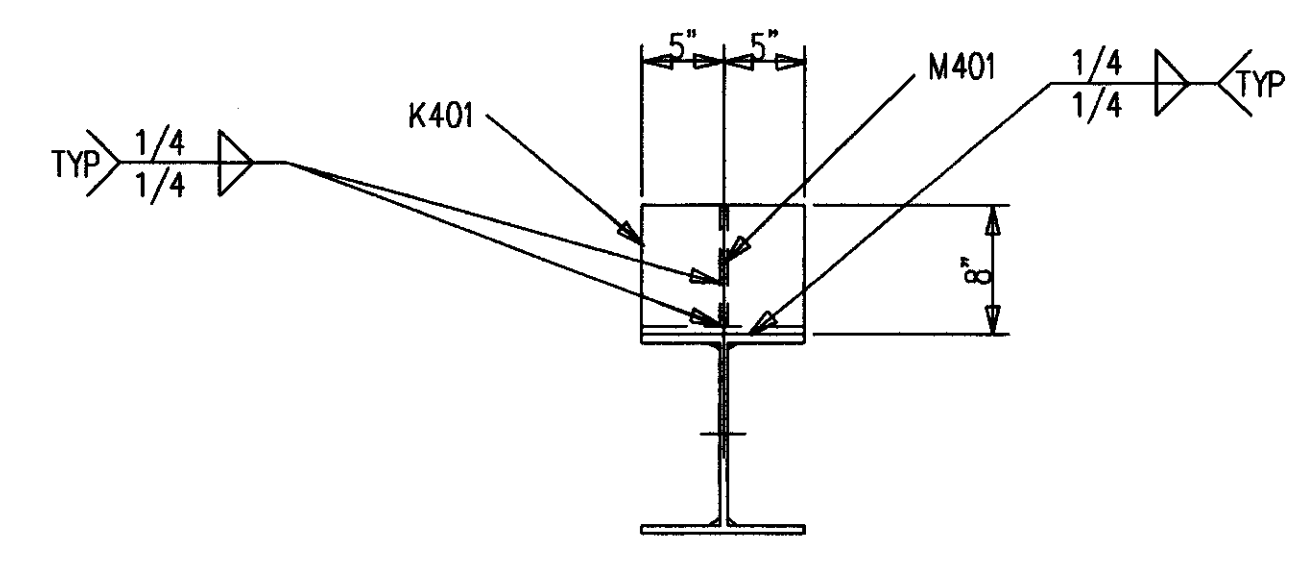
**MID STATES STEEL PRODUCTS CO.**  
 FABRICATORS OF STRUCTURAL AND MISCELLANEOUS STEEL

ORDER NO.	P3524
SHEET NO.	412



ONE-COLUMN 413C1 R [AS SHOWN]  
 ONE-COLUMN 413C1 L [OPP HAND]

SHOP NOTES:  
 1. PRIMER ONLY 3" AROUND ALL HOLES UNLESS NOTED PF(PRIMER/FINISH).  
 2. P=PRIMER ONLY AS DIMENSIONED.  
 3. NP=NO PAINT IN 3" WIDE STRIP, CENTER OF BEAM, FULL LENGTH.



SECTION A

SHOP NOTE !  
 SEE SHT 414 FOR BILL OF MATERIAL & SECTIONS

**AS BUILT**  
 NAME: *My Hughes*  
 DATE: AUG 16 1999

ALL RE-ENTRANT CUTS MIN. 1/2" RAD. U/N	WELD ELECTRODE U/N E70XX	CHECKED BY GCL	DATE 9/98
ALL A325 BOLTS W/ONE HARD WASH. AND HYV HEX NUT	SHOP PAINT SEE SPECS		
ALL A307 BOLTS W/HEX NUT			
DATE	APP	SHOP	FIELD

NO. DATE		REVISION DESCRIPTION		DRW. I. CDD
CONTRACTOR TO CHECK ALL DIMENSIONS AT JOB AS MID STATES STEEL PRODUCTS CO. ASSUMES NO RESPONSIBILITY FOR GENERAL BUILDING DIMENSIONS. NO BACK CHARGES PERTAINING TO THIS WORK WILL BE ACCEPTED WITHOUT PRIOR AUTHORIZATION BY MID STATES STEEL PRODUCTS CO.				
MATERIAL U/N A36	DRAWN BY JDL	JOB NAME COMMONWEALTH STADIUM EXPANSION		
OPEN HOLES U/N 1 1/16 Ø	DATE 9/98	JOB LOCATION UNIVERSITY OF KENTUCKY		
WELD ELECTRODE U/N E70XX	CHECKED BY GCL	CONTRACTOR TURNER CONSTRUCTION COMPANY		
SHOP PAINT SEE SPECS	DATE 9/98	ENGINEER WALTER P. MOORE AND ASSOCIATES, INC.		
DRAWING TITLE COLUMN				
P.O. BOX 11128-2044 BUCK LANE LEXINGTON, KENTUCKY 40511 PHONE: 606-233-4344 FAX: 606-233-4346			ORDER NO. P3524	SHEET NO. 413
FABRICATORS OF STRUCTURAL AND MISCELLANEOUS STEEL				


# BILL OF MATERIAL

MARK	QUAN.	DESCRIPTION	LENGTH		REMARKS
			FT.	IN.	
413C1 L	ONE	COLUMN			
413C1	1	W12X65 A572	41	0	SC2E/P
A411	1	FB1/2X4	1	3	P
A413	1	PL2X21	1	9	P
C403	4	FB1/2X4	0	9	P
D403	1	FB1/2X4	1	0	P
J409	2	FB1/2X12	2	1	P
S401	2	FB3/8X8-1/2	1	1	P
S1644H	4	A490 1X2-3/4			
S1652H	16	A490 1X3-1/4			
S16LIW	20	A LOAD IND 1			
K401	2	L8X6X1/2	0	10	
M401	2	FB3/8X5-1/2	0	7-1/2	STIFF
413C1 R	ONE	COLUMN			
413C1	1	W12X65 A572	41	0	SC2E/P
A411	1	FB1/2X4	1	3	P
A413	1	PL2X21	1	9	P
C403	4	FB1/2X4	0	9	P
D403	1	FB1/2X4	1	0	P
J409	2	FB1/2X12	2	1	P
S401	2	FB3/8X8-1/2	1	1	P
S1644H	4	A490 1X2-3/4			
S1652H	16	A490 1X3-1/4			
S16LIW	20	A LOAD IND 1			
K401	2	L8X6X1/2	0	10	
M401	2	FB3/8X5-1/2	0	7-1/2	STIFF

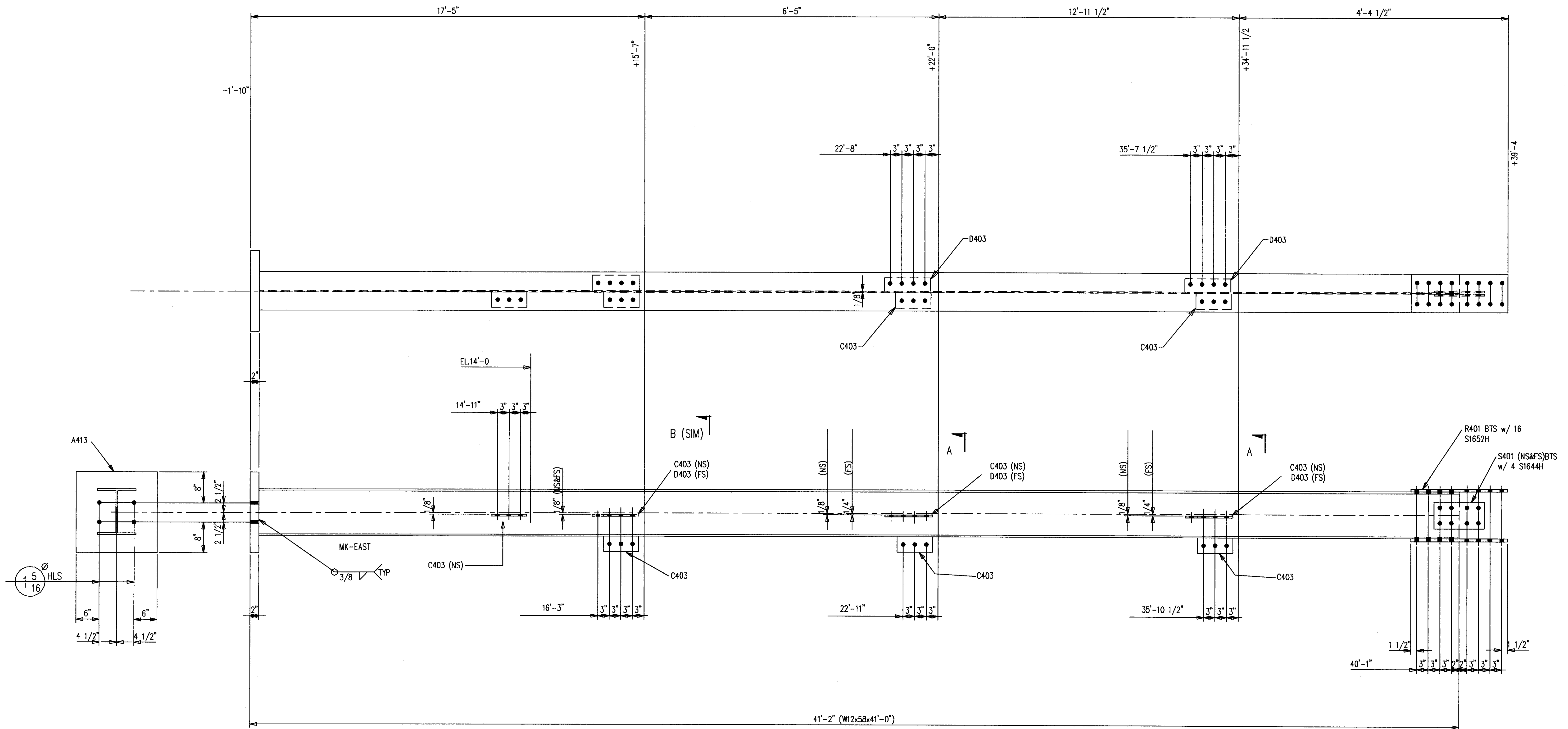
**AS BUILT**

NAME: *Walter Moore*  
DATE: AUG 16 1999

ALL RE-ENTRANT CUTS MIN. 1/2" RAD. U/N	WELD ELECTRODE U/N E70XX	CHECKED BY <i>GCL</i>	DATE 9/98
ALL A325 BOLTS W/ONE HARD WASH. AND HVY HEX NUT	SHOP PAINT SEE SPECS	DATE 9/98	ENGINEER WALTER P. MOORE AND ASSOCIATES, INC.
ALL A307 BOLTS W/HEX NUT	DRAWING TITLE	BOM FOR 413	
DATE	APP	SHOP	FIELD

NO.		DATE		REVISION DESCRIPTION		DIM	ORD
CONTRACTOR TO CHECK ALL DIMENSIONS AT JOB AS MID STATES STEEL PRODUCTS CO. ASSUMES NO RESPONSIBILITY FOR GENERAL BUILDING DIMENSIONS. NO BACK CHARGES PERTAINING TO THIS WORK WILL BE ACCEPTED WITHOUT PRIOR AUTHORIZATION BY MID STATES STEEL PRODUCTS CO.							
MATERIAL U/N A36	DRAWN BY <i>JDL</i>	JOB NAME	COMMONWEALTH STADIUM EXPANSION				
OPEN HOLES U/N 1 1/16"	DATE 9/98	JOB LOCATION	UNIVERSITY OF KENTUCKY				
WELD ELECTRODE U/N E70XX	CHECKED BY <i>GCL</i>	CONTRACTOR	TURNER CONSTRUCTION COMPANY				
SHOP PAINT SEE SPECS	DATE 9/98	ENGINEER	WALTER P. MOORE AND ASSOCIATES, INC.				
DRAWING TITLE		BOM FOR 413			ORDER NO.		
					P3524		
					SHEET NO.		
					414		
 P.O. BOX 11128-2044 BUCK LANE LEXINGTON, KENTUCKY 40511 PHONE: 606-233-4344 FAX: 606-233-4346				FABRICATORS OF STRUCTURAL AND MISCELLANEOUS STEEL			

Cab # 206  
 Sheet # 414  
 Document # 34789  
 D-1



ONE-COLUMN 415C1 R [AS SHOWN]  
 ONE-COLUMN 415C1 L [OPP HAND]

SHOP NOTES:  
 1. PRIMER ONLY 3" AROUND ALL HOLES UNLESS NOTED PF(PRIMER/FINISH).  
 2. P=PRIMER ONLY AS DIMENSIONED.  
 3. NP=NO PAINT IN 3" WIDE STRIP, CENTER OF BEAM, FULL LENGTH.

SHOP NOTE !  
 SEE SHT 416 FOR BILL OF MATERIAL & SECTIONS

**AS BUILT**  
 NAME: *May Hughes*  
 DATE: **AUG 16 1999**

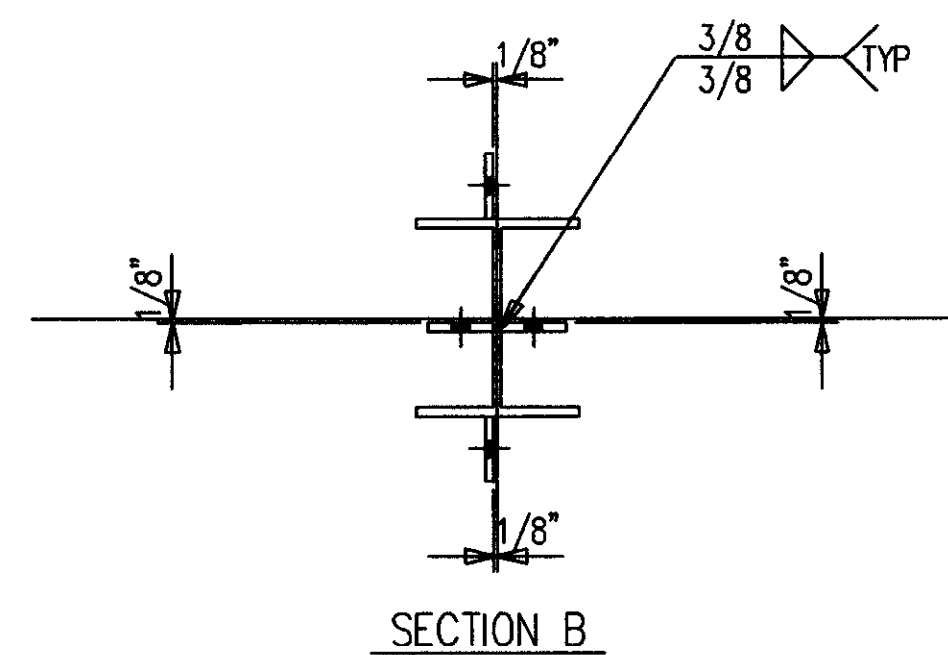
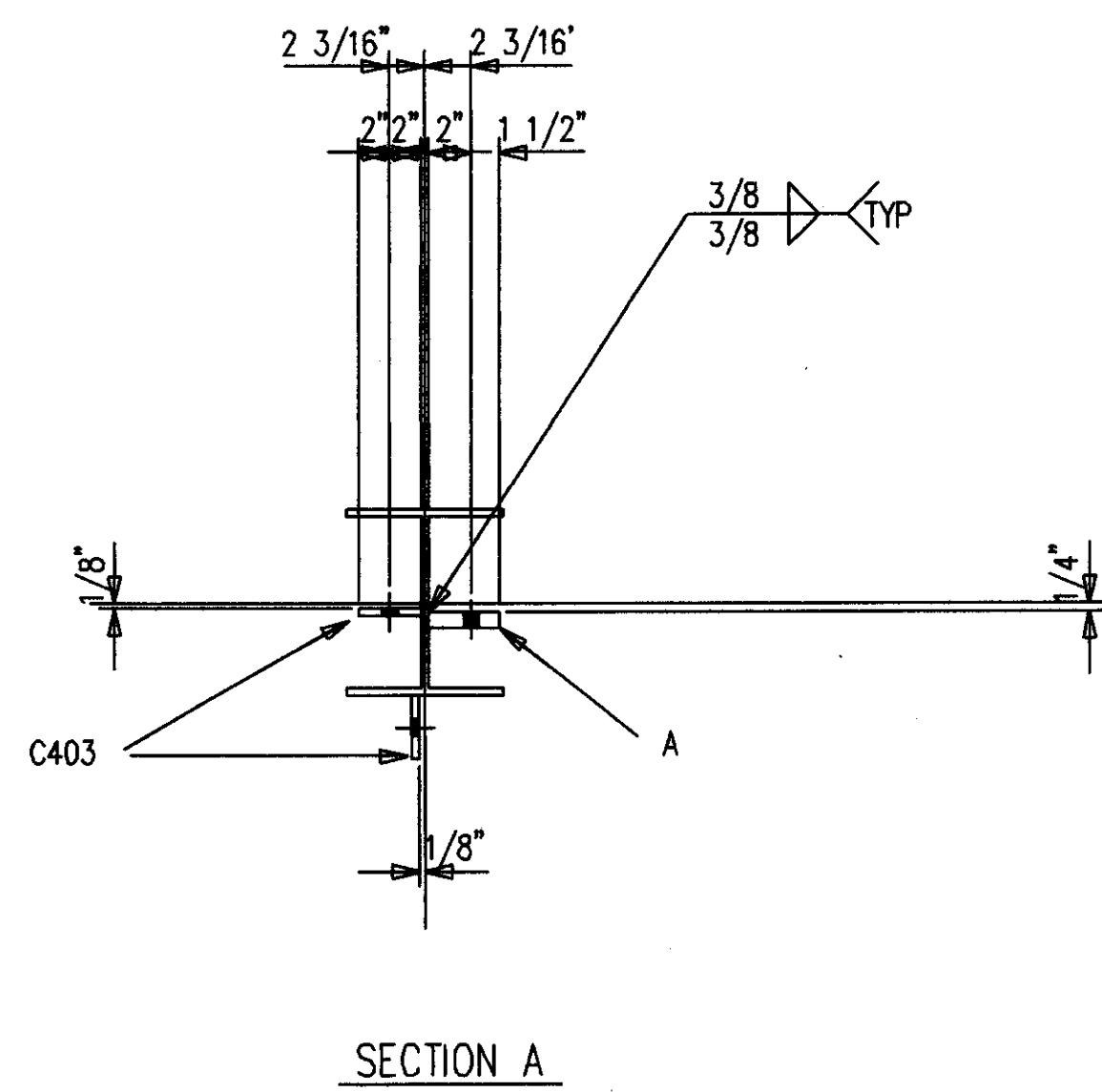
DATE	APP	SHOP	FIELD

NO.	DATE	REVISION DESCRIPTION	OWN	CRD	
CONTRACTOR TO CHECK ALL DIMENSIONS AT JOB AS MID STATES STEEL PRODUCTS CO. ASSUMES NO RESPONSIBILITY FOR GENERAL BUILDING DIMENSIONS. NO BACK CHARGES PERTAINING TO THIS WORK WILL BE ACCEPTED WITHOUT PRIOR AUTHORIZATION BY MID STATES STEEL PRODUCTS CO.					
MATERIAL U/N	A36	DRAWN BY	JDL	JOB NAME	COMMONWEALTH STADIUM EXPANSION
OPEN HOLES U/N	1 1/16 φ	DATE	9/98	JOB LOCATION	UNIVERSITY OF KENTUCKY
WELD ELECTRODE U/N	E70XX	CHECKED BY	GCL	CONTRACTOR	TURNER CONSTRUCTION COMPANY
SHOP PAINT	SEE SPECS	DATE	9/98	ENGINEER	WALTER P. MOORE AND ASSOCIATES, INC.
DRAWING TITLE COLUMN					
P.O. BOX 11128-2044 BUCK LANE LEXINGTON, KENTUCKY 40511 PHONE: 606-233-4344 FAX: 606-233-4346				ORDER NO. P3524	
<b>MID STATES STEEL PRODUCTS CO.</b> FABRICATORS OF STRUCTURAL AND MISCELLANEOUS STEEL				SHEET NO. 415	

Doc # Slot  
 206 D-1  
 Document # 34790

BILL OF MATERIAL

MARK	QUAN.	DESCRIPTION	LENGTH		REMARKS
			FT.	IN.	
415C1 L	ONE	COLUMN			
415C1	1	W12X58 A572	41	0	SC2E/P
A413	1	PL2X21	1	9	P
C403	7	FB1/2X4	0	9	P
D403	3	FB1/2X4	1	0	P
R401	2	FB1X10	2	1	P
S1644H	4	A490 1X2-3/4			
S1652H	16	A490 1X3-1/4			
S16LIW	20	A LOAD IND 1			
S401	2	PL3/8X8-1/2	1	1	P
415C1 R	ONE	COLUMN			
415C1	1	W12X58 A572	41	0	SC2E/P
A413	1	PL2X21	1	9	P
C403	7	FB1/2X4	0	9	P
D403	3	FB1/2X4	1	0	P
R401	2	FB1X10	2	1	P
S1644H	4	A490 1X2-3/4			
S1652H	16	A490 1X3-1/4			
S16LIW	20	A LOAD IND 1			
S401	2	PL3/8X8-1/2	1	1	P



**AS BUILT**  
 NAME: *Max Hughes*  
 DATE: **AUG 18 1999**

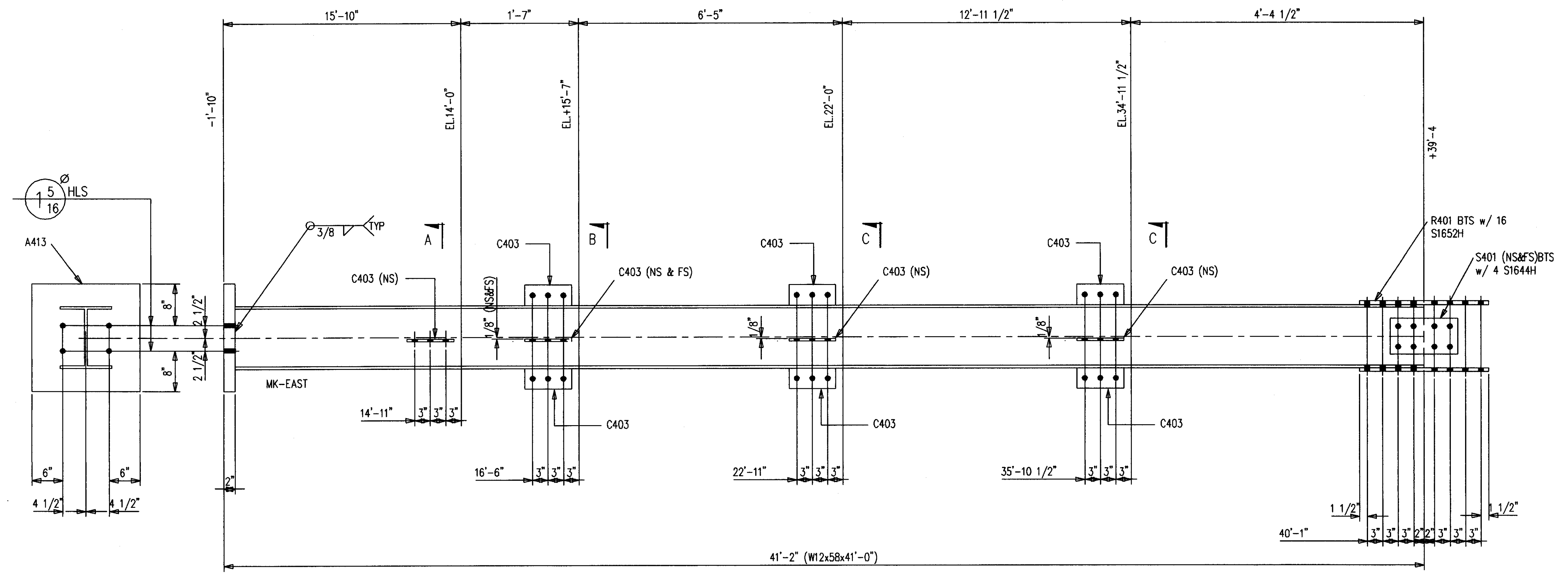
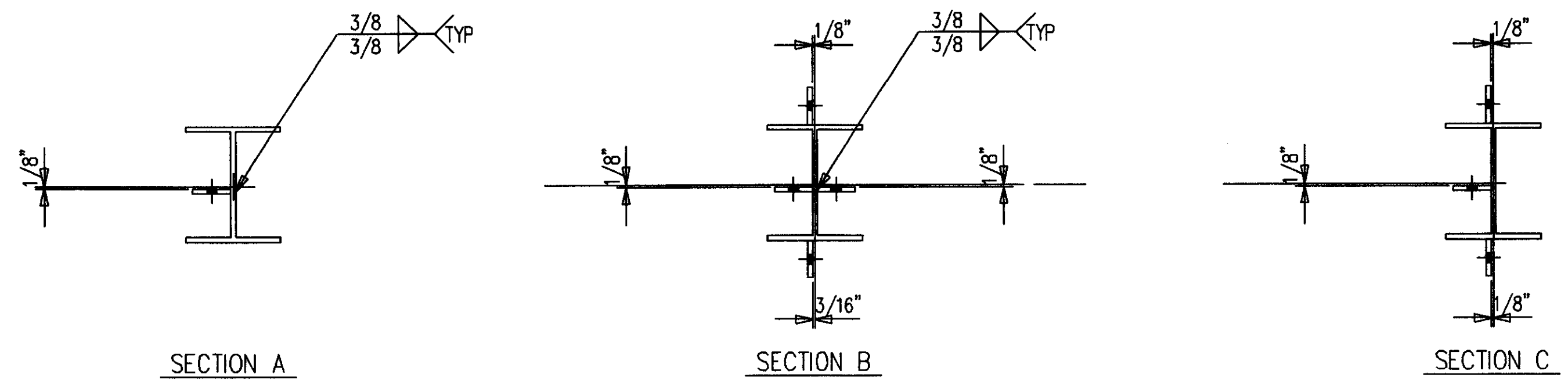
DATE	APP	SHOP	FIELD

NO.		DATE		REVISION DESCRIPTION		DWN	COO
CONTRACTOR TO CHECK ALL DIMENSIONS AT JOB AS MID STATES STEEL PRODUCTS CO. ASSUMES NO RESPONSIBILITY FOR GENERAL BUILDING DIMENSIONS. NO BACK CHARGES PERTAINING TO THIS WORK WILL BE ACCEPTED WITHOUT PRIOR AUTHORIZATION BY MID STATES STEEL PRODUCTS CO.							
MATERIAL U/N	A36	DRAWN BY	JDL	JOB NAME	COMMONWEALTH STADIUM EXPANSION		
DRY HOLES U/N	1 1/16φ	DATE	9/98	JOB LOCATION	UNIVERSITY OF KENTUCKY		
WELD ELECTRODE U/N	E70XX	CHECKED BY	GCL	CONTRACTOR	TURNER CONSTRUCTION COMPANY		
SHOP PAINT	SEE SPECS	DATE	9/98	ENGINEER	WALTER P. MOORE AND ASSOCIATES, INC.		
ALL A307 BOLTS w/HEX NUT		DRAWING TITLE					
		BOM FOR 415					
P.O. BOX 11128-2044 BUCK LANE LEXINGTON, KENTUCKY 40511 PHONE: 606-233-4344 FAX: 606-233-4346				ORDER NO. <b>P3524</b> SHEET NO. <b>416</b>			
FABRICATORS OF STRUCTURAL AND MISCELLANEOUS STEEL							

Cab # 810t Document # 341791  
 206 R-2

BILL OF MATERIAL

MARK	QUAN.	DESCRIPTION	LENGTH		REMARKS
			FT.	IN.	
417C1 L	ONE	COLUMN			
417C1	1	W12X58 A572	41	0	SC2E/P
A413	1	PL2X21	1	9	P
C403	11	FBI/2X4	0	9	P
R401	2	FBI1X10	2	1	P
S1644H	4	A490 1X2-3/4			
S1652H	16	A490 1X3-1/4			
S16LIW	20	A LOAD IND 1			
S401	2	PL3/8X8-1/2	1	1	P
417C1 R	ONE	COLUMN			
417C1	1	W12X58 A572	41	0	SC2E/P
A413	1	PL2X21	1	9	P
C403	11	FBI/2X4	0	9	P
R401	2	FBI1X10	2	1	P
S1644H	4	A490 1X2-3/4			
S1652H	16	A490 1X3-1/4			
S16LIW	20	A LOAD IND 1			
S401	2	PL3/8X8-1/2	1	1	P



SHOP NOTES:

1. PRIMER ONLY 3" AROUND ALL HOLES UNLESS NOTED PF(PRIMER/FINISH).
2. P=PRIMER ONLY AS DIMENSIONED.
3. NP=NO PAINT IN 3" WIDE STRIP, CENTER OF BEAM, FULL LENGTH.

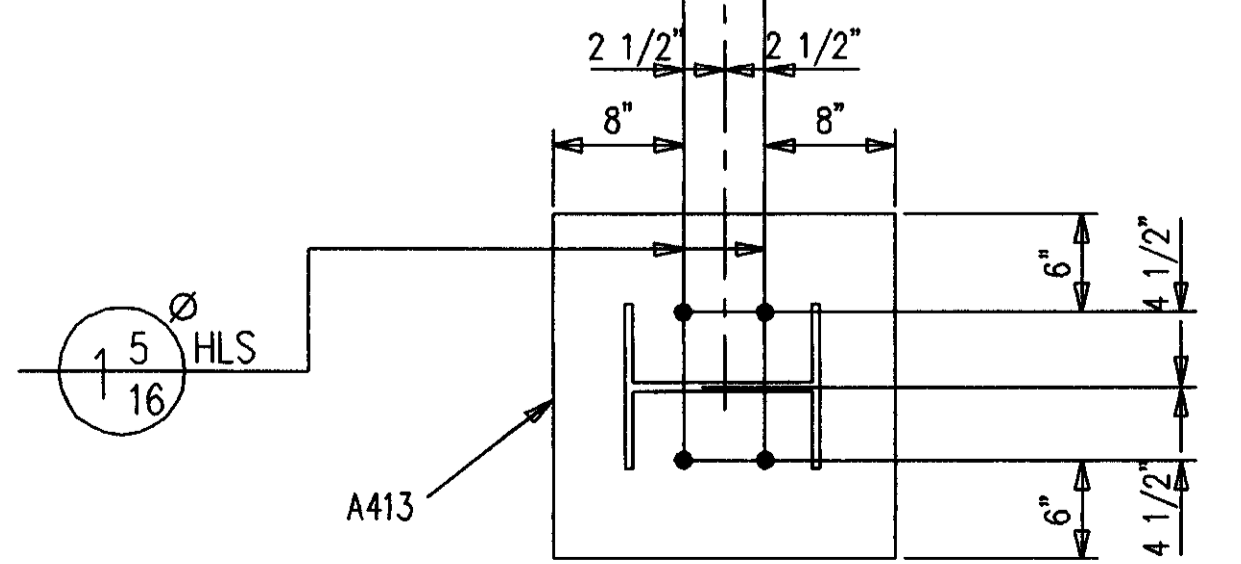
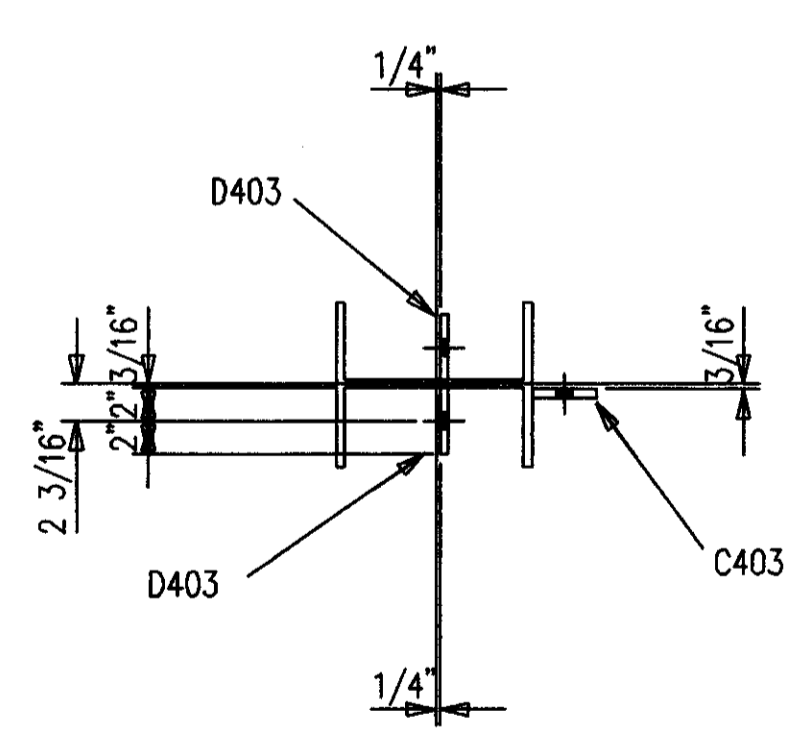
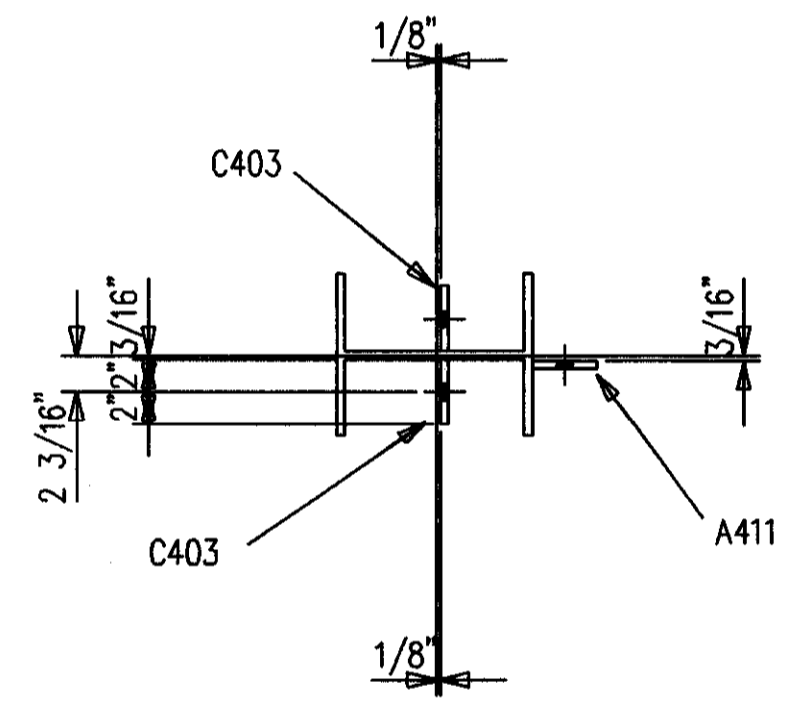
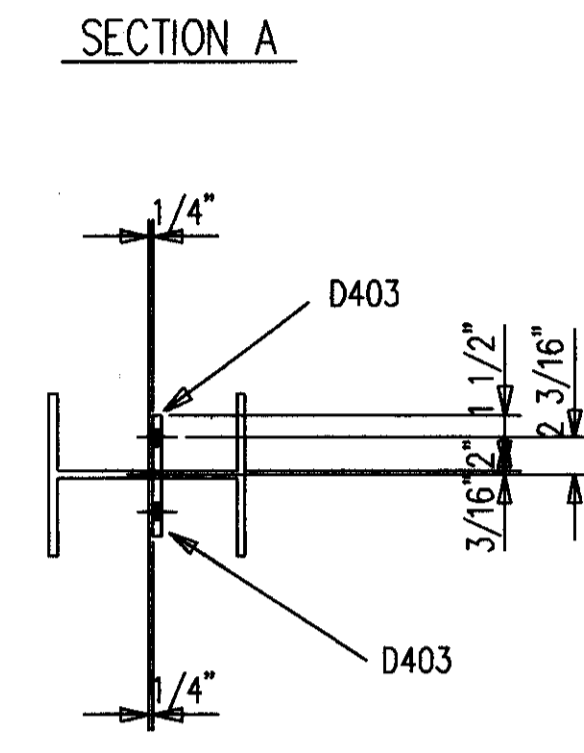
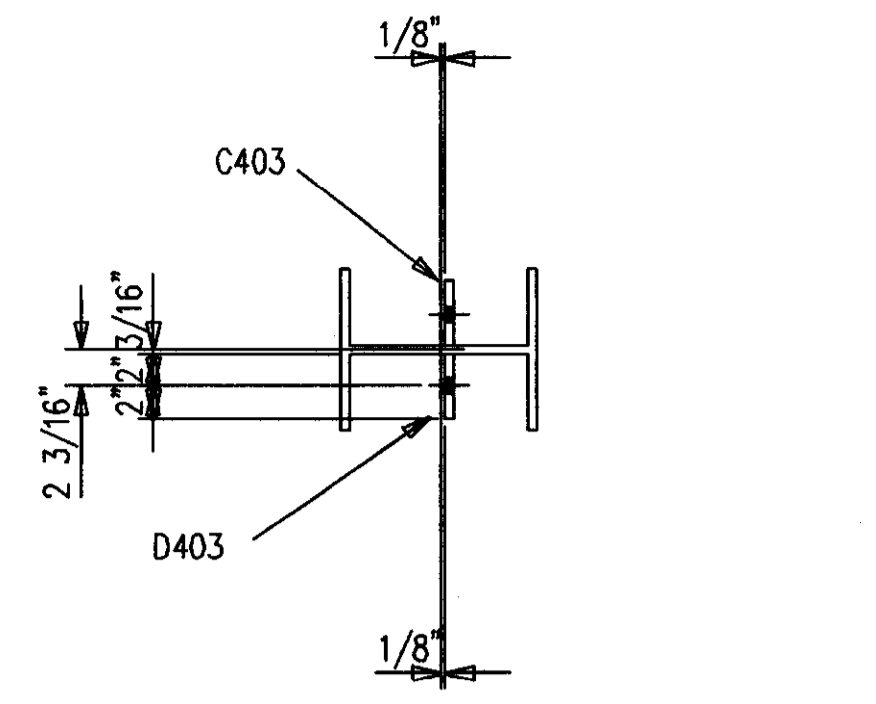
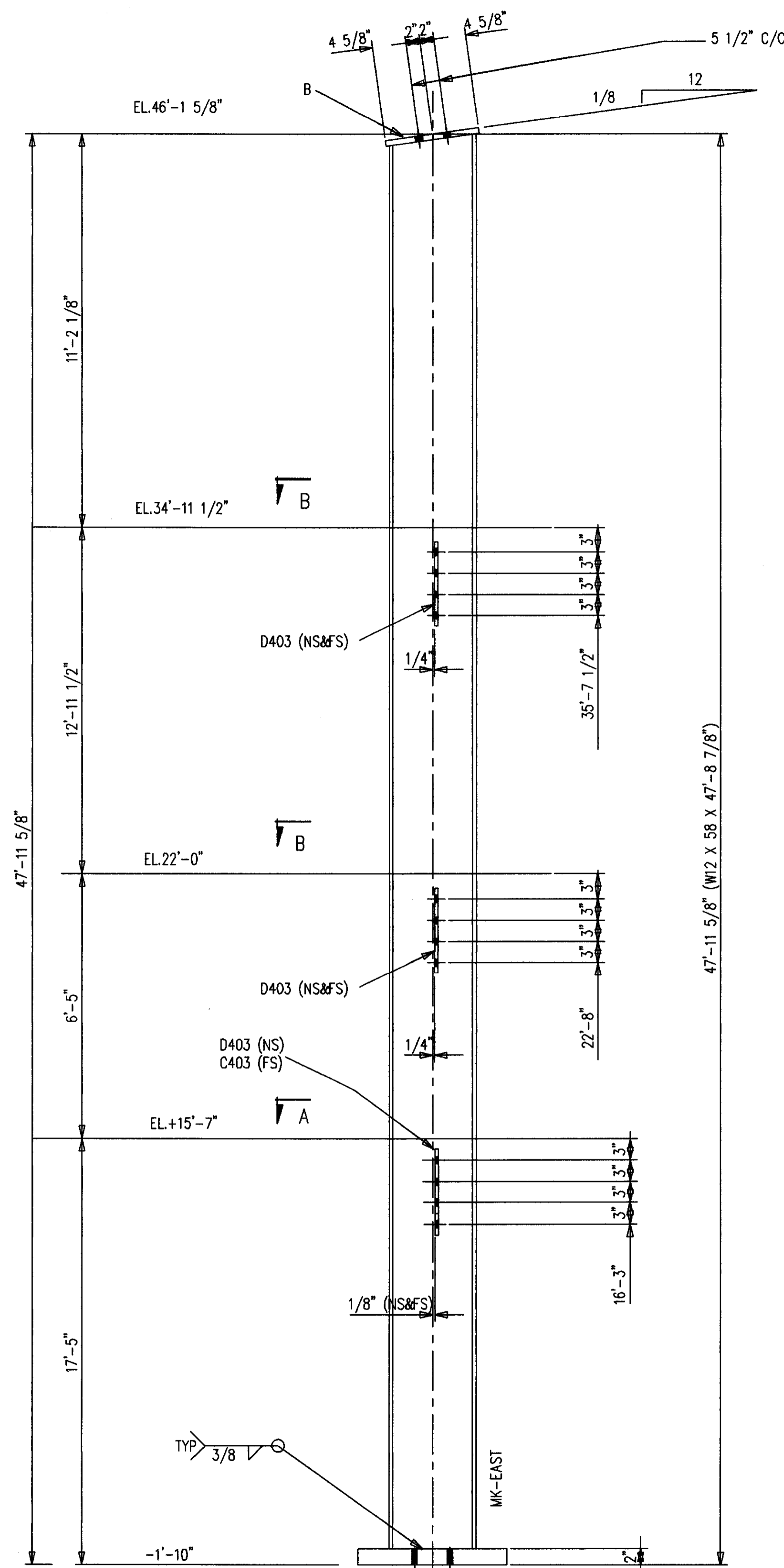
ONE-COLUMN 417C1 R [AS SHOWN]  
ONE-COLUMN 417C1 L [OPP HAND]

AS BUILT  
DATE: AUG 16 1999

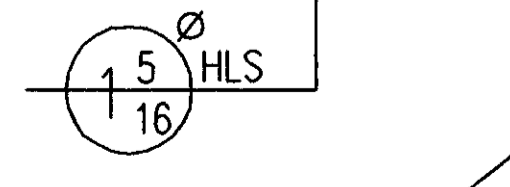
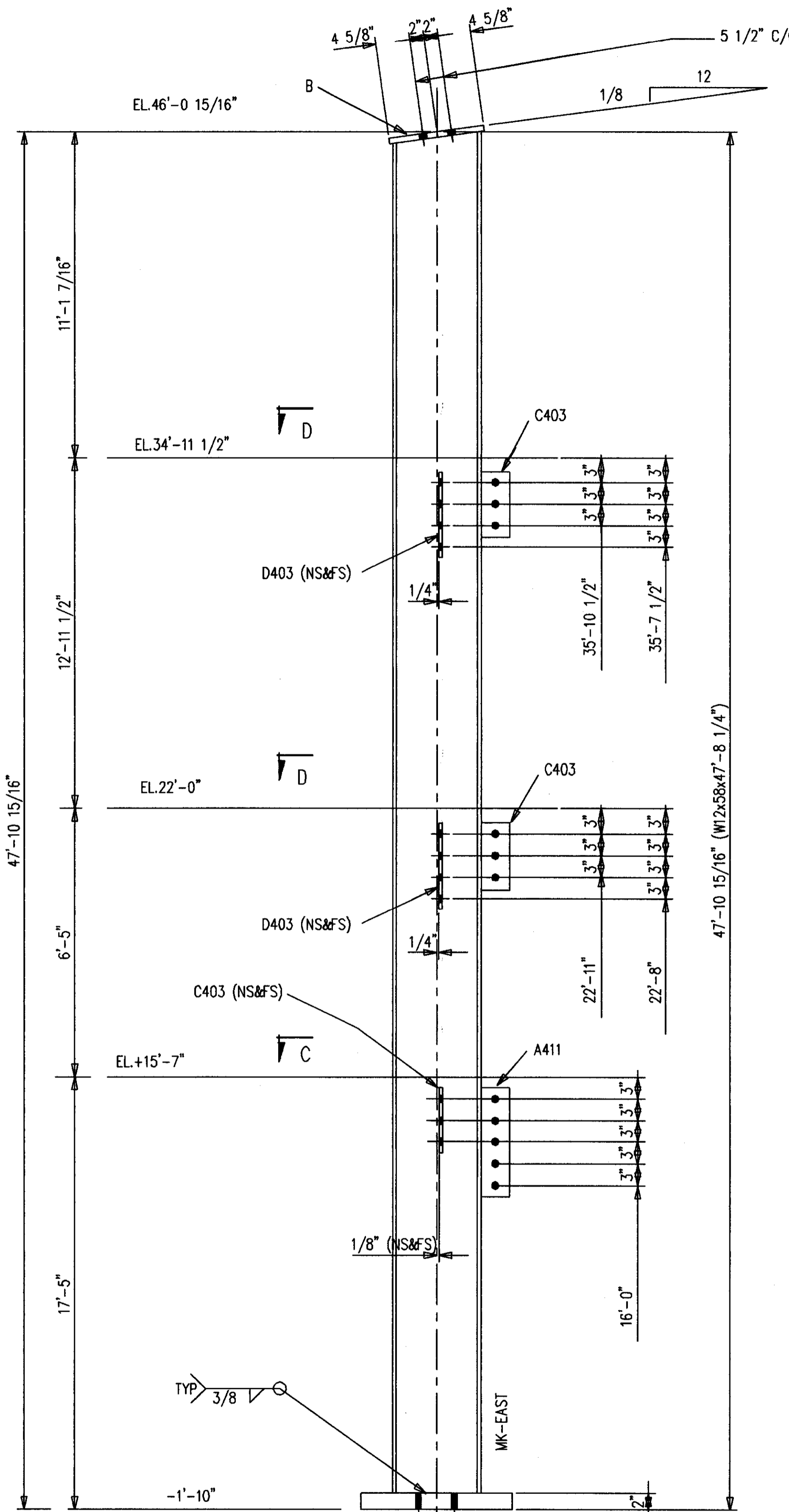
DATE	APP	SHOP	FIELD

NO.		DATE		REVISION DESCRIPTION		DWG. L. CNO.	
CONTRACTOR TO CHECK ALL DIMENSIONS AT JOB AS MID STATES STEEL PRODUCTS CO. ASSUMES NO RESPONSIBILITY FOR GENERAL BUILDING DIMENSIONS. NO BACK CHARGES PERTAINING TO THIS WORK WILL BE ACCEPTED WITHOUT PRIOR AUTHORIZATION BY MID STATES STEEL PRODUCTS CO.							
MATERIAL U/N		DRAWN BY		JOB NAME		ORDER NO.	
A36		JDL		COMMONWEALTH STADIUM EXPANSION		P3524	
OPEN HOLES U/N		DATE		JOB LOCATION		SHEET NO.	
1 1/16"		9/98		UNIVERSITY OF KENTUCKY		417	
ALL RE-ENTRANT CUTS MIN. 1/2" RAD. U/N		WELD ELECTRODE U/N		CHECKED BY		CONTRACTOR	
E70XX		GCL		TURNER CONSTRUCTION COMPANY			
ALL A325 BOLTS W/ONE HARD WASH. AND HVY HEX NUT		SHOP PAINT		DATE		ENGINEER	
SEE SPECS		9/98		WALTER P. MOORE AND ASSOCIATES, INC.			
ALL A307 BOLTS W/HEX NUT		DRAWING TITLE		P.O. BOX 11128-2044 BUCK LANE LEXINGTON, KENTUCKY 40511 PHONE: 606-233-4344 FAX: 606-233-4346		FABRICATORS OF STRUCTURAL AND MISCELLANEOUS STEEL	
COLUMN							

Doc # Slot Cab # 206 A-2 34792



ONE-COLUMN 418C1 R [AS SHOWN]  
ONE-COLUMN 418C1 L [OPP HAND]



ONE-COLUMN 418C2 R [AS SHOWN]  
ONE-COLUMN 418C2 L [OPP HAND]

BILL OF MATERIAL

SHIP MARK SUB MARK	NO. PCS.	DESCRIPTION	LENGTH		CL LIST	REMARKS
			FT.	IN.		
418C1 L	ONE	COLUMN				
418C1	1	W12X58 A572	47	8-7/8		SC1E/BC1E
A413	1	PL2X21	1	9		P
B418	1	PL3/4X11	1	1-1/4		P
C403	1	FB1/2X4	0	9		P
D403	5	FB1/2X4	1	0		P
418C1 R	ONE	COLUMN				
418C1	1	W12X58 A572	47	8-7/8		SC1E/BC1E
A413	1	PL2X21	1	9		P
B418	1	PL3/4X11	1	1-1/4		P
C403	1	FB1/2X4	0	9		P
D403	5	FB1/2X4	1	0		P
418C2 L	ONE	COLUMN				
418C2	1	W12X58 A572	47	8-1/4		SC1E/BC1E
A411	1	FB1/2X4	1	3		P
A413	1	PL2X21	1	9		P
B418	1	PL3/4X11	1	1-1/4		P
C403	4	FB1/2X4	0	9		P
D403	4	FB1/2X4	1	0		P
418C2 R	ONE	COLUMN				
418C2	1	W12X58 A572	47	8-1/4		SC1E/BC1E
A411	1	FB1/2X4	1	3		P
A413	1	PL2X21	1	9		P
B418	1	PL3/4X11	1	1-1/4		P
C403	4	FB1/2X4	0	9		P
D403	4	FB1/2X4	1	0		P

SHOP NOTES:  
1. PRIMER ONLY 3" AROUND ALL HOLES UNLESS NOTED PF(PRIMER/FINISH).  
2. P=PRIMER ONLY AS DIMENSIONED.  
3. NP=NO PAINT IN 3" WIDE STRIP, CENTER OF BEAM, FULL LENGTH.

AS BUILT  
NAME: *Map Hughes*  
DATE: AUG 16 1999

ALL RE-ENTRANT CUTS MIN. 1/2" RAD. U/W	WELD ELECTRODE U/W	DATE	9/98
ALL A325 BOLTS W/ONE HARD WASH. AND HVY HEX NUT	SHOP PAINT SEE SPECS	DATE	9/98
ALL A307 BOLTS W/HEX NUT	DRAWING TITLE	COLUMN	

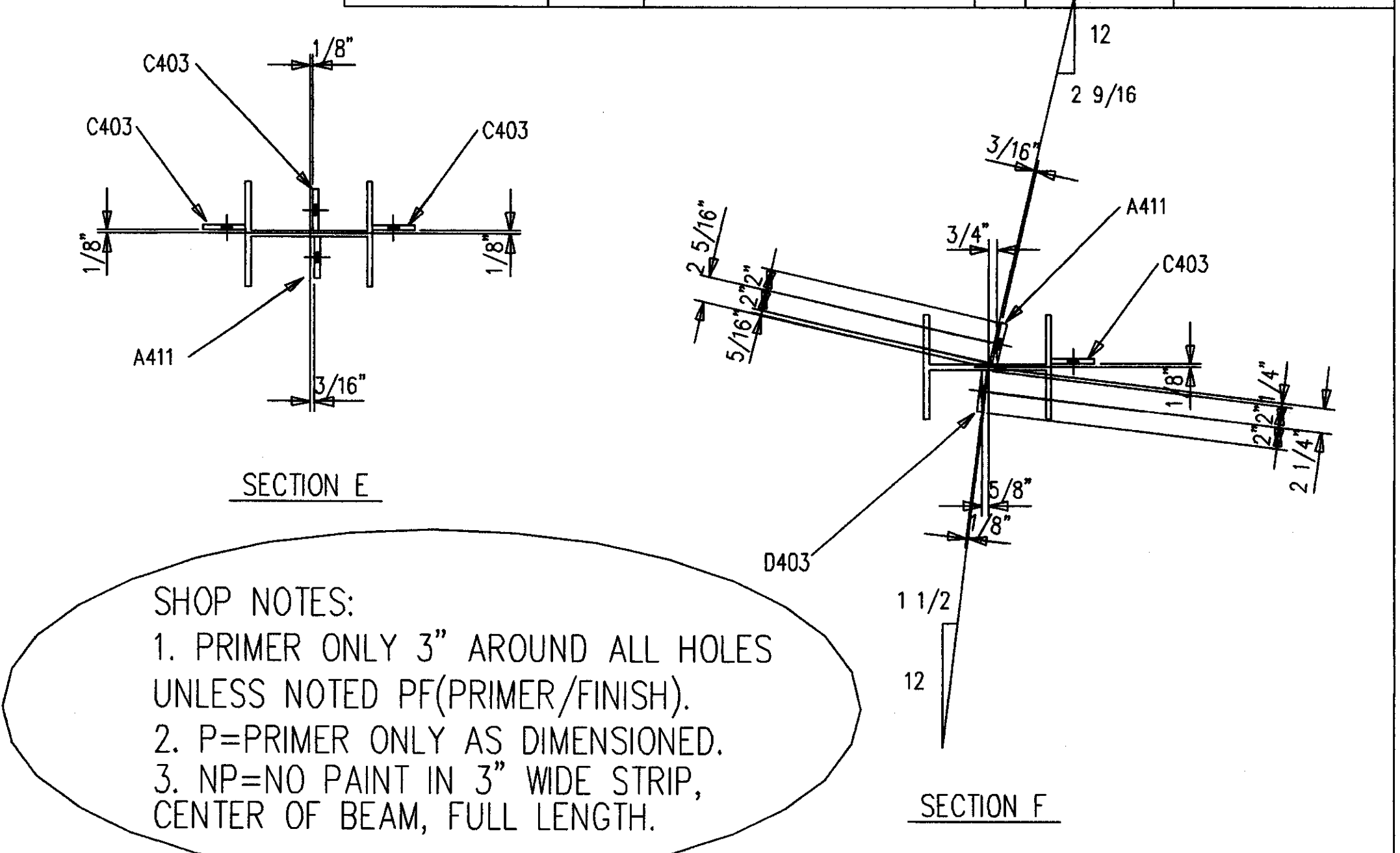
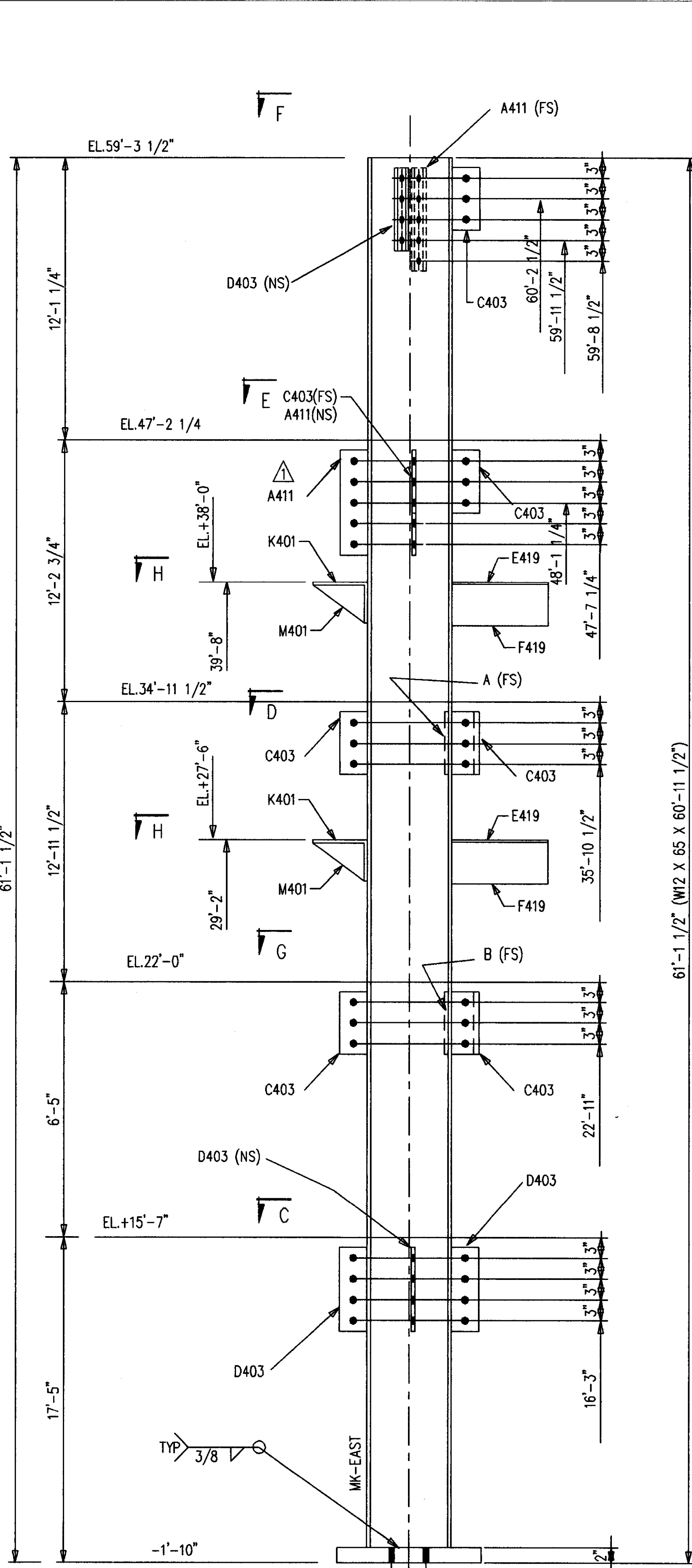
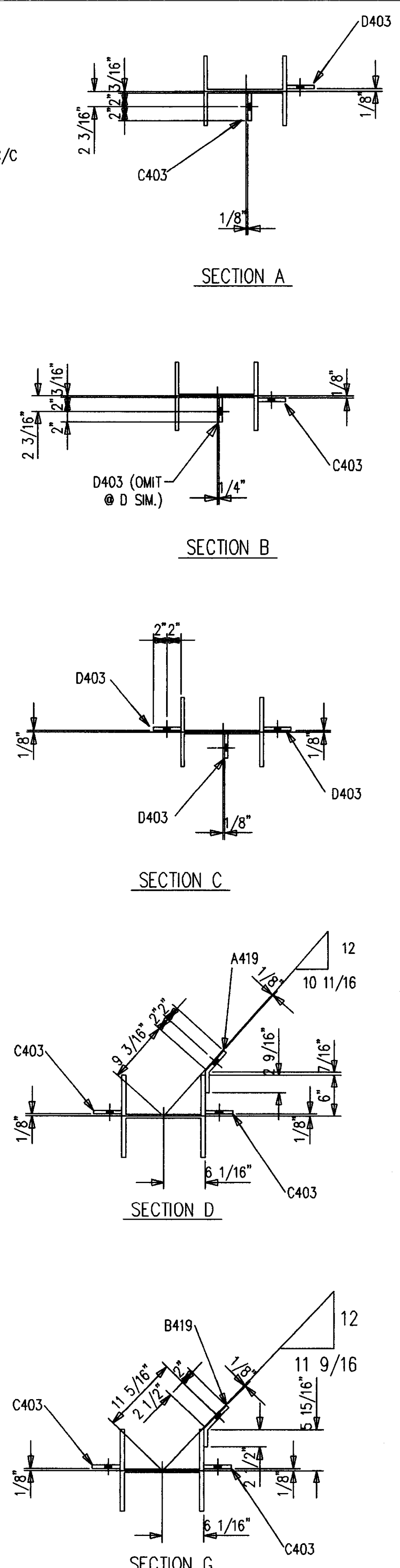
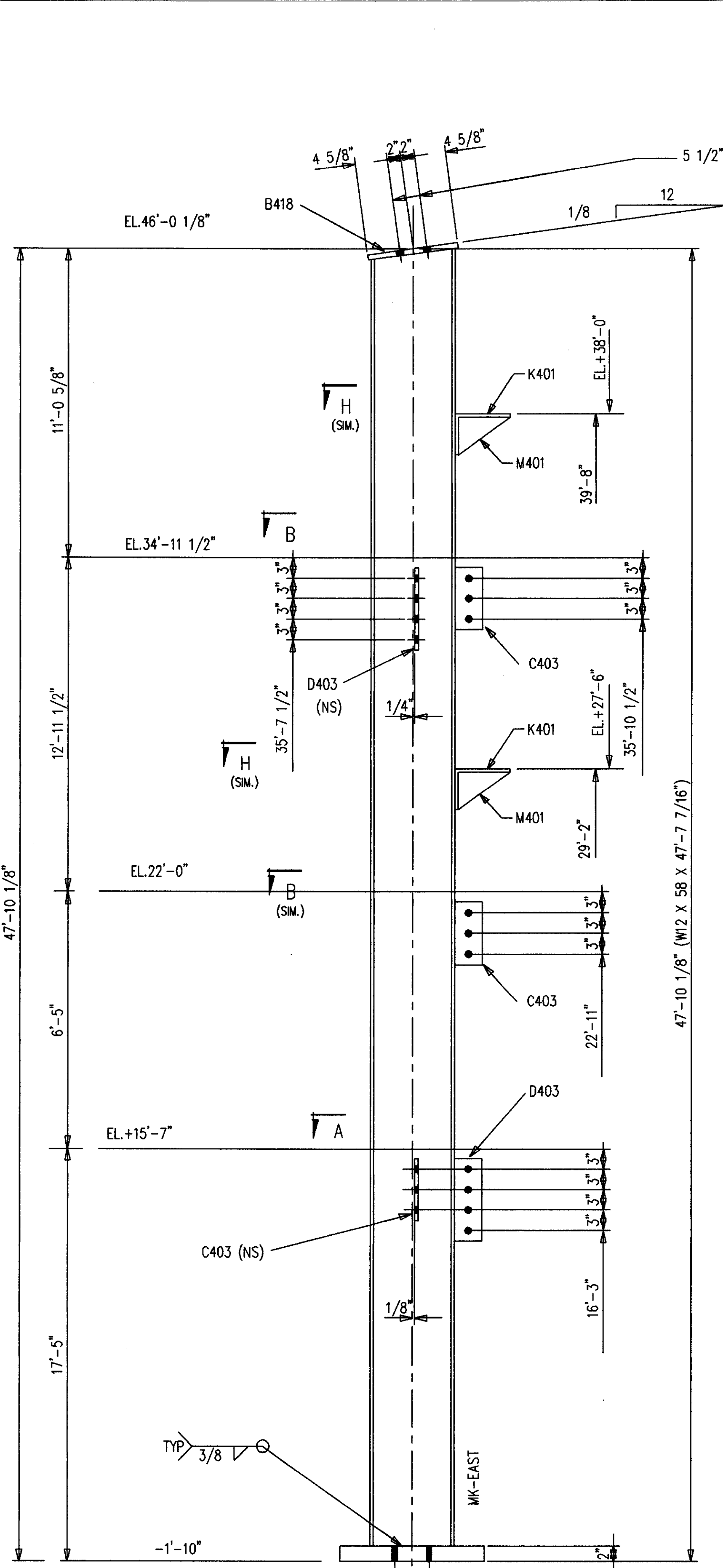
MATERIAL U/W	A36	DRAWN BY	JDL	JOB NAME	COMMONWEALTH STADIUM EXPANSION
OPEN HOLES U/W	1 1/16φ	DATE	9/98	JOB LOCATION	UNIVERSITY OF KENTUCKY
CONTRACTOR	TURNER CONSTRUCTION COMPANY	ENGINEER	WALTER P. MOORE AND ASSOCIATES, INC.		

MID STATES STEEL PRODUCTS CO.  
P.O. BOX 11128-2044 BUCK LANE  
LEXINGTON, KENTUCKY 40511  
PHONE: 606-233-4344 FAX: 606-233-4346  
FABRICATORS OF STRUCTURAL AND MISCELLANEOUS STEEL

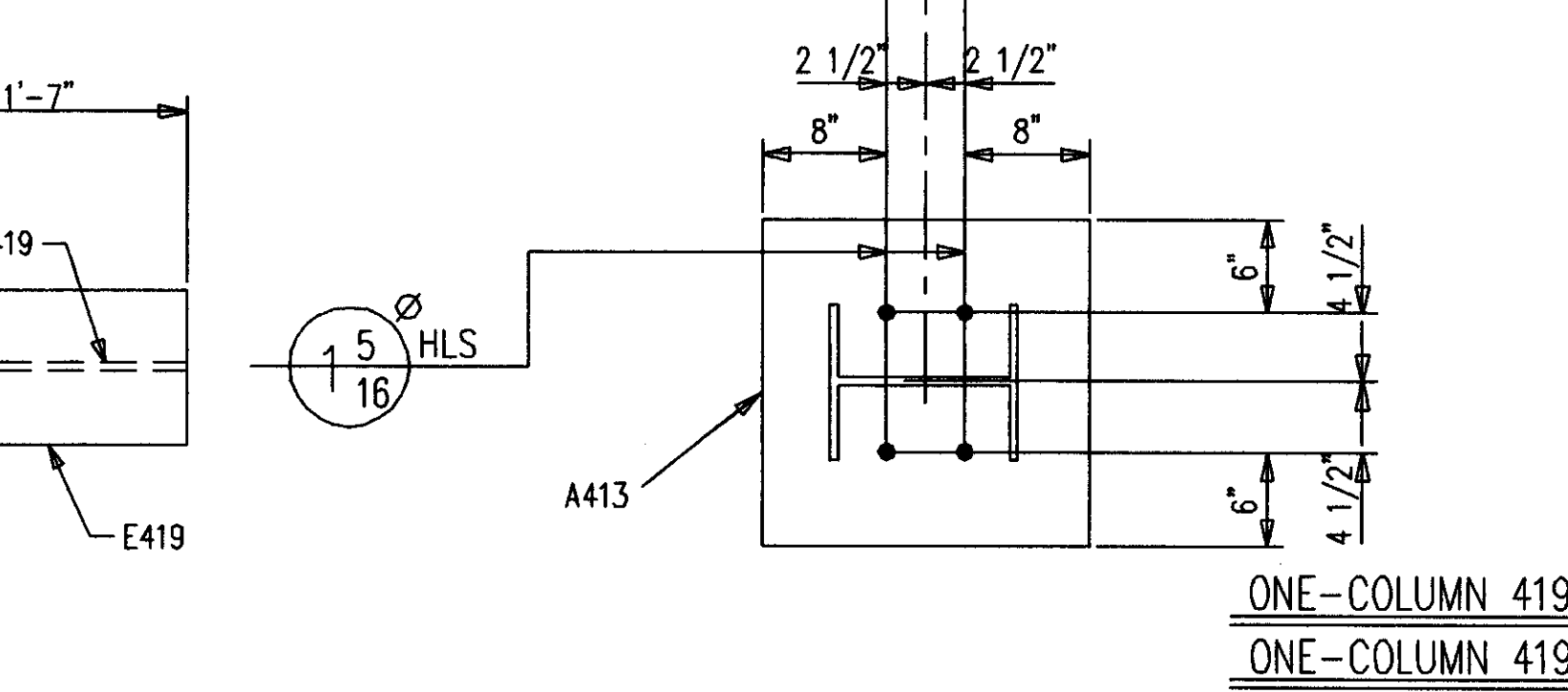
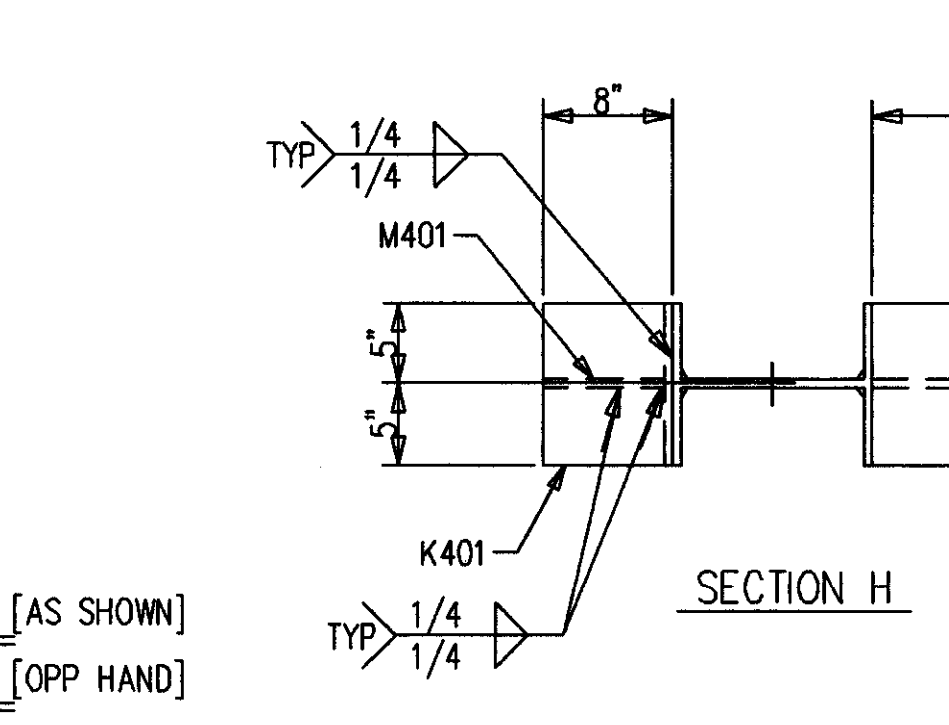
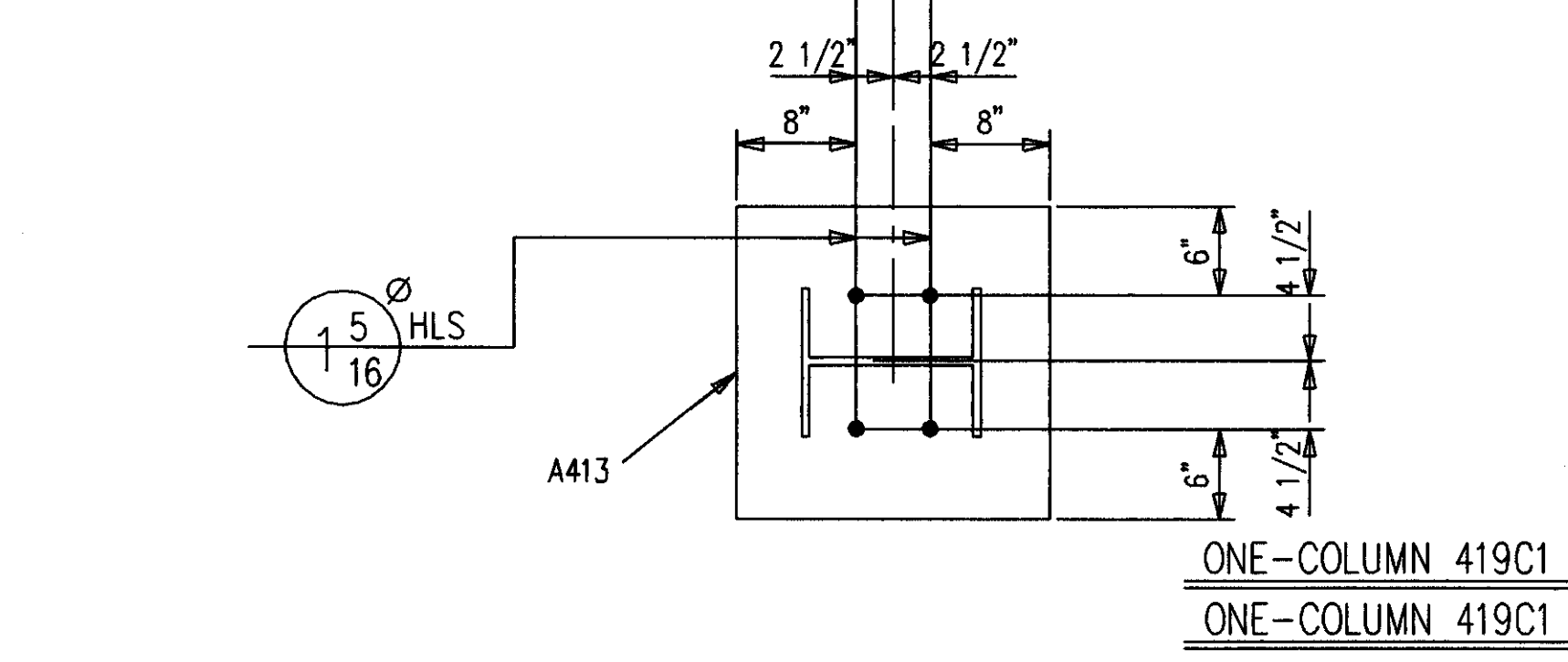
ORDER NO.  
P3524  
SHEET NO.  
418

### BILL OF MATERIAL

MARK	QUAN.	DESCRIPTION	LENGTH		REMARKS
			FT.	IN.	
419C1 L	ONE	COLUMN			
419C1	1	W12X58 A572	47	7-7/16	SC1E/BC1E
A413	1	PL2X21	1	9	P
B418	1	PL3/4X11	1	1-1/4	P
C403	3	FB1/2X4	0	9	P
D403	2	FB1/2X4	1	0	P
K401	2	L8X6X1/2	0	10	
M401	2	FB3/8X5-1/2	0	7-1/2	STIFF
419C1 R	ONE	COLUMN			
419C1	1	W12X58 A572	47	7-7/16	SC1E/BC1E
A413	1	PL2X21	1	9	P
B418	1	PL3/4X11	1	1-1/4	P
C403	3	FB1/2X4	0	9	P
D403	2	FB1/2X4	1	0	P
K401	2	L8X6X1/2	0	10	
M401	2	FB3/8X5-1/2	0	7-1/2	STIFF
419C2 L	ONE	COLUMN			
419C2	1	W12X65 A572	60	11-1/2	SC2E
A411	3	FB1/2X4	1	3	P
A413	1	PL2X21	1	9	P
A419	1	FB1/2X7	0	9	BENT/P
B419	1	FB1/2X7	0	9	BENT/P
C403	7	FB1/2X4	0	9	P
D403	4	FB1/2X4	1	0	P
K401	2	L8X6X1/2	0	10	
M401	2	FB3/8X5-1/2	0	7-1/2	STIFF
E419	2	FB3/8X10	1	7	
F419	2	FB3/8X6	1	7	
419C2 R	ONE	COLUMN			
419C2	1	W12X65 A572	60	11-1/2	SC2E
A411	3	FB1/2X4	1	3	P
A413	1	PL2X21	1	9	P
A419	1	FB1/2X7	0	9	BENT/P
B419	1	FB1/2X7	0	9	BENT/P
C403	7	FB1/2X4	0	9	P
D403	4	FB1/2X4	1	0	P
K401	2	L8X6X1/2	0	10	
M401	2	FB3/8X5-1/2	0	7-1/2	STIFF
E419	2	FB3/8X10	1	7	
F419	2	FB3/8X6	1	7	



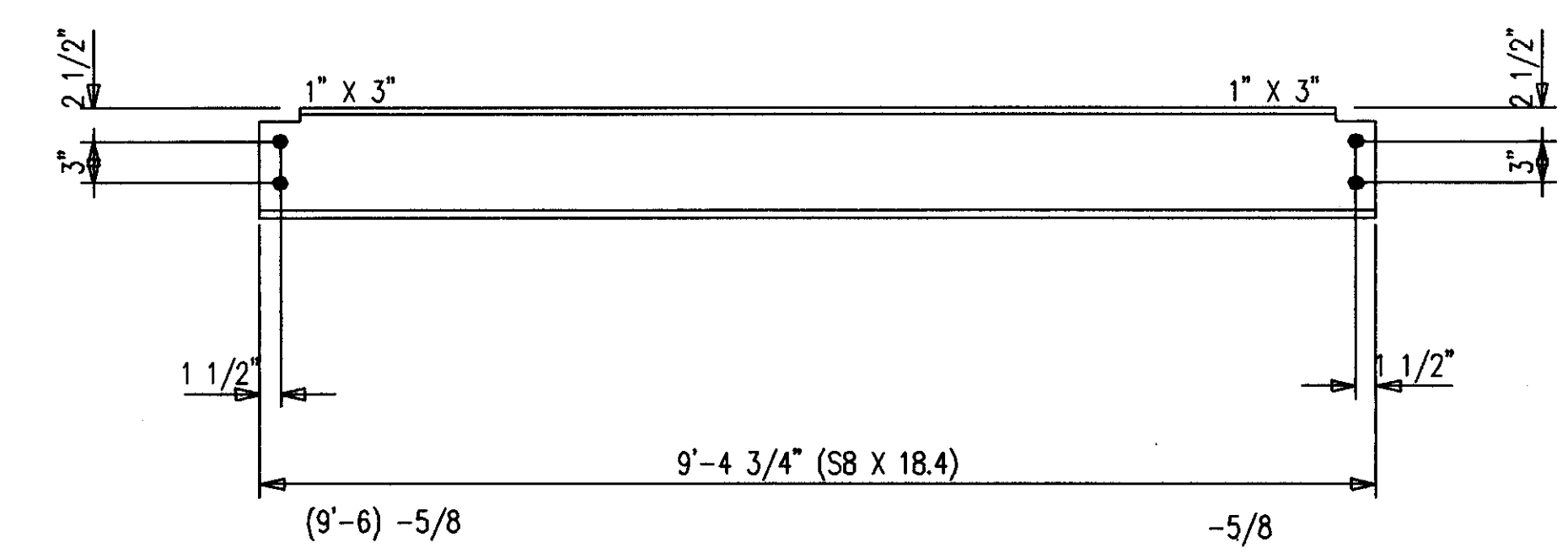
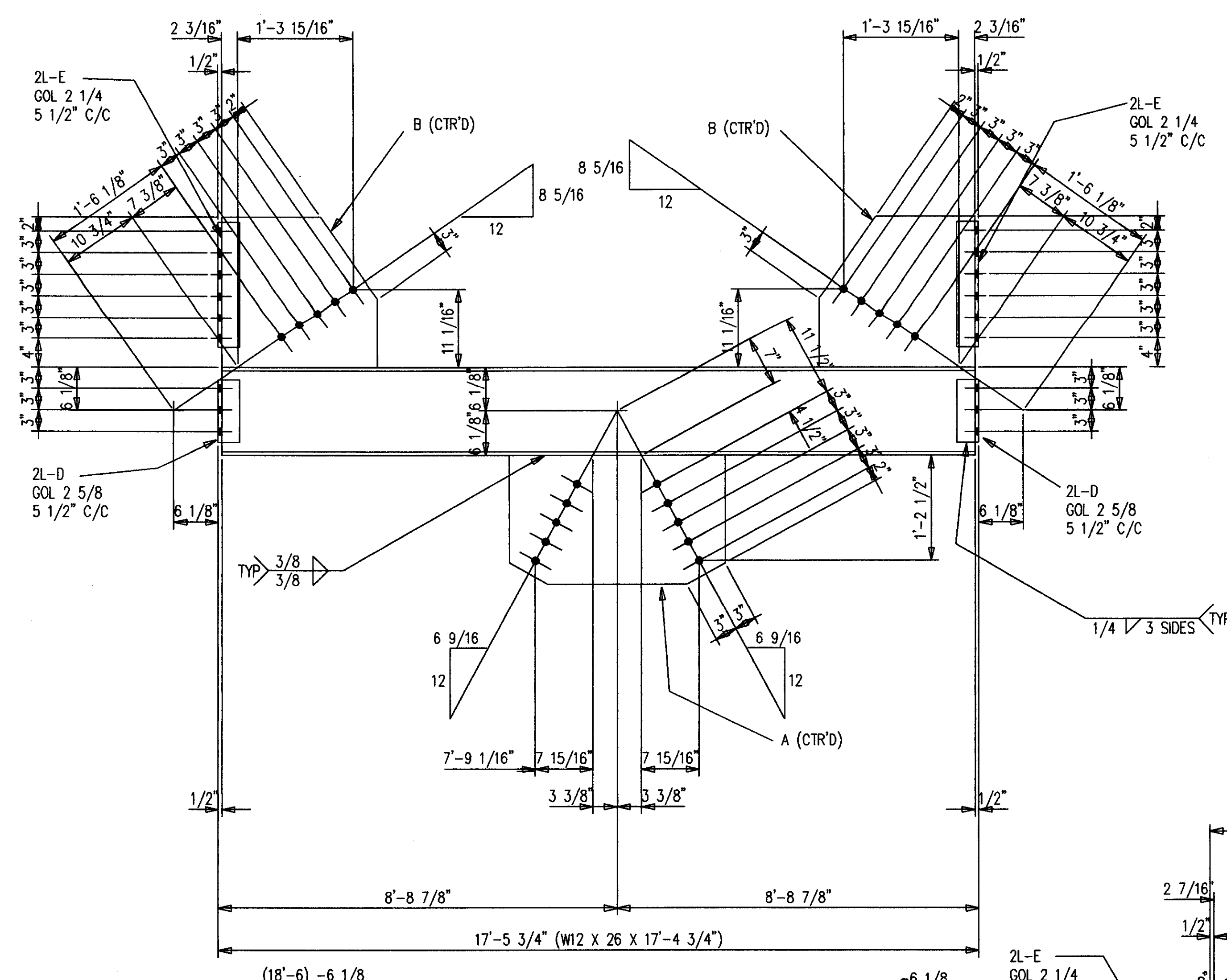
**SHOP NOTES:**  
 1. PRIMER ONLY 3" AROUND ALL HOLES UNLESS NOTED PF(PRIMER/FINISH).  
 2. P=PRIMER ONLY AS DIMENSIONED.  
 3. NP=NO PAINT IN 3" WIDE STRIP, CENTER OF BEAM, FULL LENGTH.



**AS BUILT**  
 NAME: *Map Hushka*  
 DATE: **AUG 18 1999**

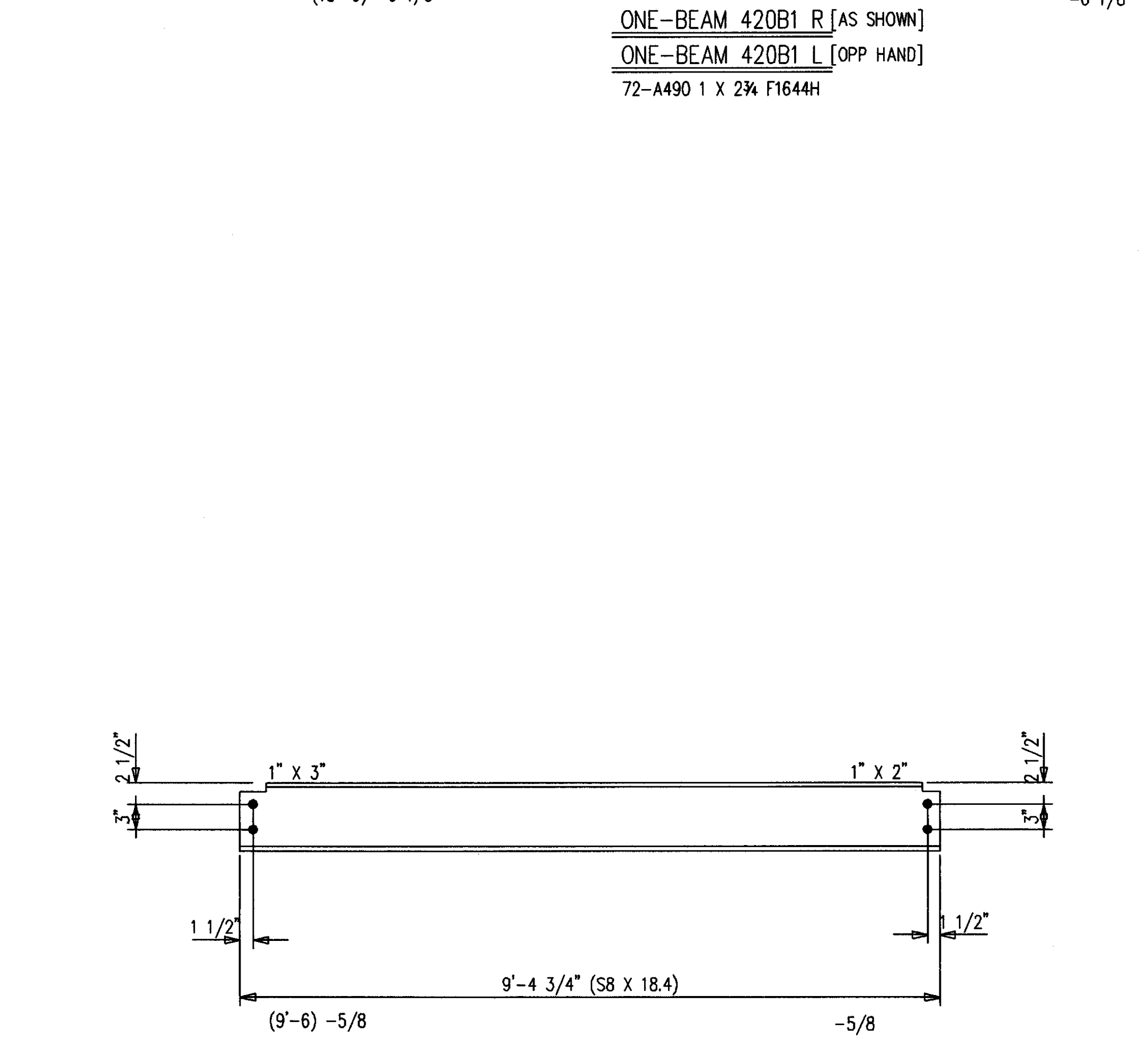
NO. DATE		ADDED PL A411 TO FLANGE		REVISED DESCRIPTION	DATE	BY
CONTRACTOR TO CHECK ALL DIMENSIONS AT JOB AS MID STATES STEEL PRODUCTS CO. ASSUMES NO RESPONSIBILITY FOR GENERAL BUILDING DIMENSIONS. NO BACK CHARGES PERTAINING TO THIS WORK WILL BE ACCEPTED WITHOUT PRIOR AUTHORIZATION BY MID STATES STEEL PRODUCTS CO.						
MATERIAL U/N	A36	DRAWN BY	JDL	JOB NAME	COMMONWEALTH STADIUM EXPANSION	
OPEN HOLES U/N	1 1/16ø	DATE	9/98	JOB LOCATION	UNIVERSITY OF KENTUCKY	
WELD ELECTRODE U/N	E70XX	CHECKED BY	GCL	CONTRACTOR	TURNER CONSTRUCTION COMPANY	
SHOP PAINT	SEE SPECS	DATE	9/98	ENGINEER	WALTER P. MOORE AND ASSOCIATES, INC.	
ALL A307 BOLTS w/HEX NUT		DRAWING TITLE	COLUMN			
DATE	APP	SHOP	FIELD	P.O. BOX 11128-2044 BUCK LANE LEXINGTON, KENTUCKY 40511 PHONE: 606-253-4344 FAX: 606-253-4346		
				ORDER NO.	P3524	
				SHEET NO.	419	
FABRICATORS OF STRUCTURAL AND MISCELLANEOUS STEEL						



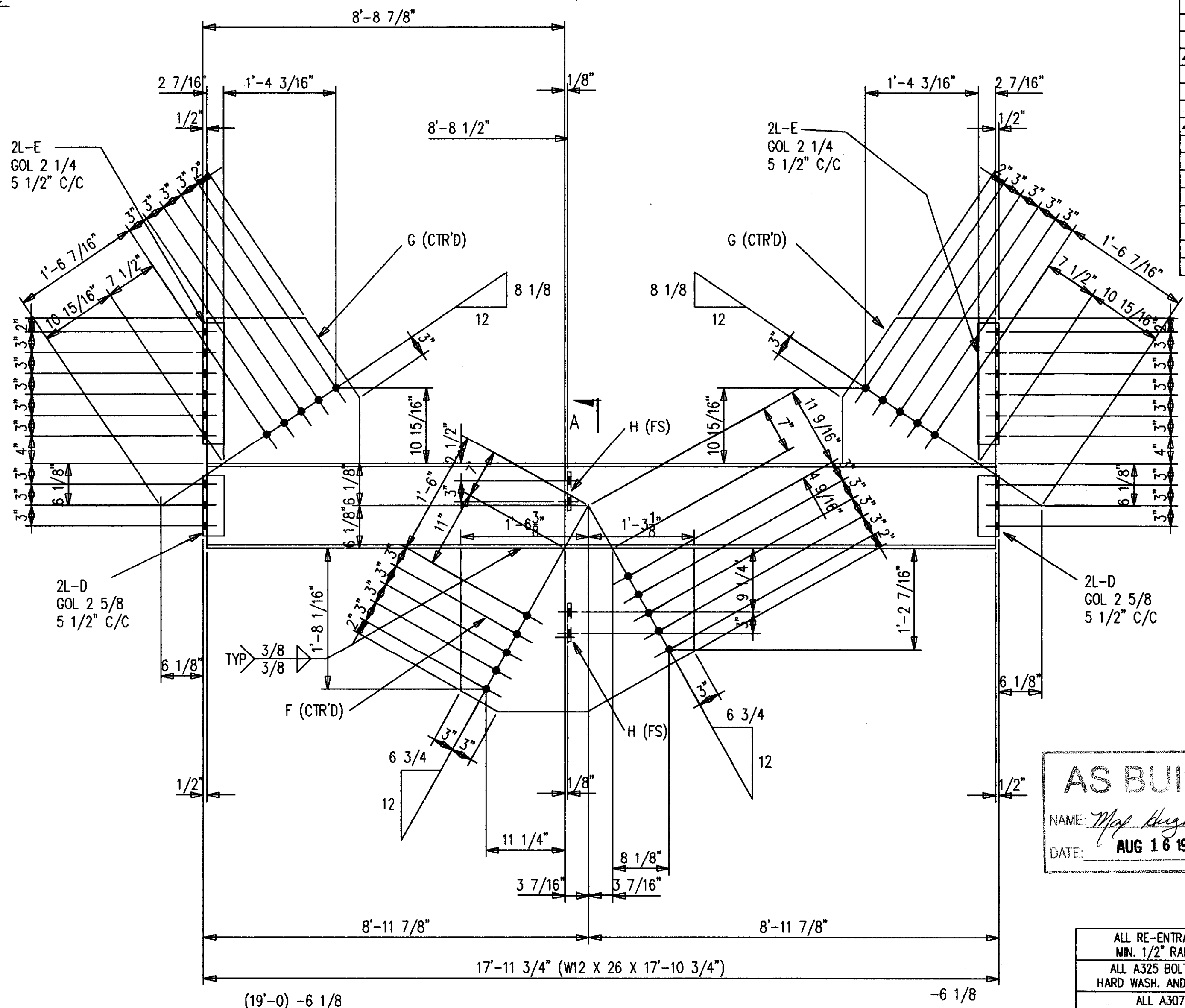


4-BEAMS 420B5  
16-A490 1 X 2 1/4 F1636H

SHOP NOTES:  
 1. PRIMER ONLY 3" AROUND ALL HOLES UNLESS NOTED PF(PRIMER/FINISH).  
 2. P=PRIMER ONLY AS DIMENSIONED.  
 3. NP=NO PAINT IN 3" WIDE STRIP, CENTER OF BEAM, FULL LENGTH.



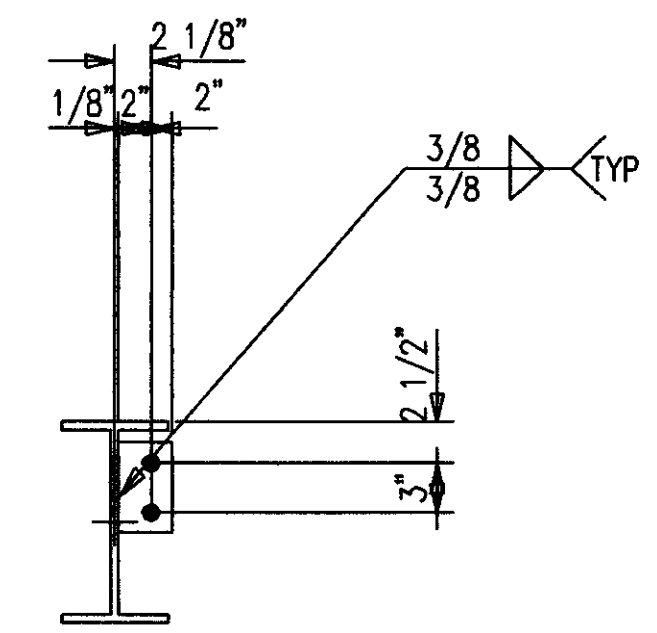
2-BEAMS 420B4  
8-A490 1 X 2 1/4 F1636H



ONE-BEAM 420B2 R [AS SHOWN]  
 ONE-BEAM 420B2 L [OPP HAND]  
 72-A490 1 X 2 1/4 F1644H

BILL OF MATERIAL

MARK	QUAN.	DESCRIPTION	LENGTH		REMARKS
			FT.	IN.	
420B1 L	ONE	BEAM			
420B1	1	W12X26 A572	17	4-3/4	
A420	1	PL1X17-1/4	2	5-3/8	P
B420	2	PL1X21	1	9-1/2	P
D420	4	L4X3X1/2	0	9	P
E420	4	L4X3X1/2	1	6	P
420B1 R	ONE	BEAM			
420B1	1	W12X26 A572	17	4-3/4	
A420	1	PL1X17-1/4	2	5-3/8	P
B420	2	PL1X21	1	9-1/2	P
D420	4	L4X3X1/2	0	9	P
E420	4	L4X3X1/2	1	6	P
420B2 L	ONE	BEAM			
420B2	1	W12X26 A572	17	10-3/4	
D420	4	L4X3X1/2	0	9	P
E420	4	L4X3X1/2	1	6	P
F420	1	PL1X23-5/16	2	9-1/2	P
G420	2	PL1X21	1	10	P
H420	2	FB1/2X4	0	6	P
420B2 R	ONE	BEAM			
420B2	1	W12X26 A572	17	10-3/4	
D420	4	L4X3X1/2	0	9	P
E420	4	L4X3X1/2	1	6	P
F420	1	PL1X23-5/16	2	9-1/2	P
G420	2	PL1X21	1	10	P
H420	2	FB1/2X4	0	6	P
420B4	2	BEAMS			
420B4	2	S8X18. 4	9	4-3/4	P
420B5	4	BEAMS			
420B5	4	S8X18. 4	9	4-3/4	P
		FIELD BOLTS			
F1636H	37	A490 1X2-1/4			
F1644H	146	A490 1X2-3/4			
F16LI	182	A LOAD IND 1			

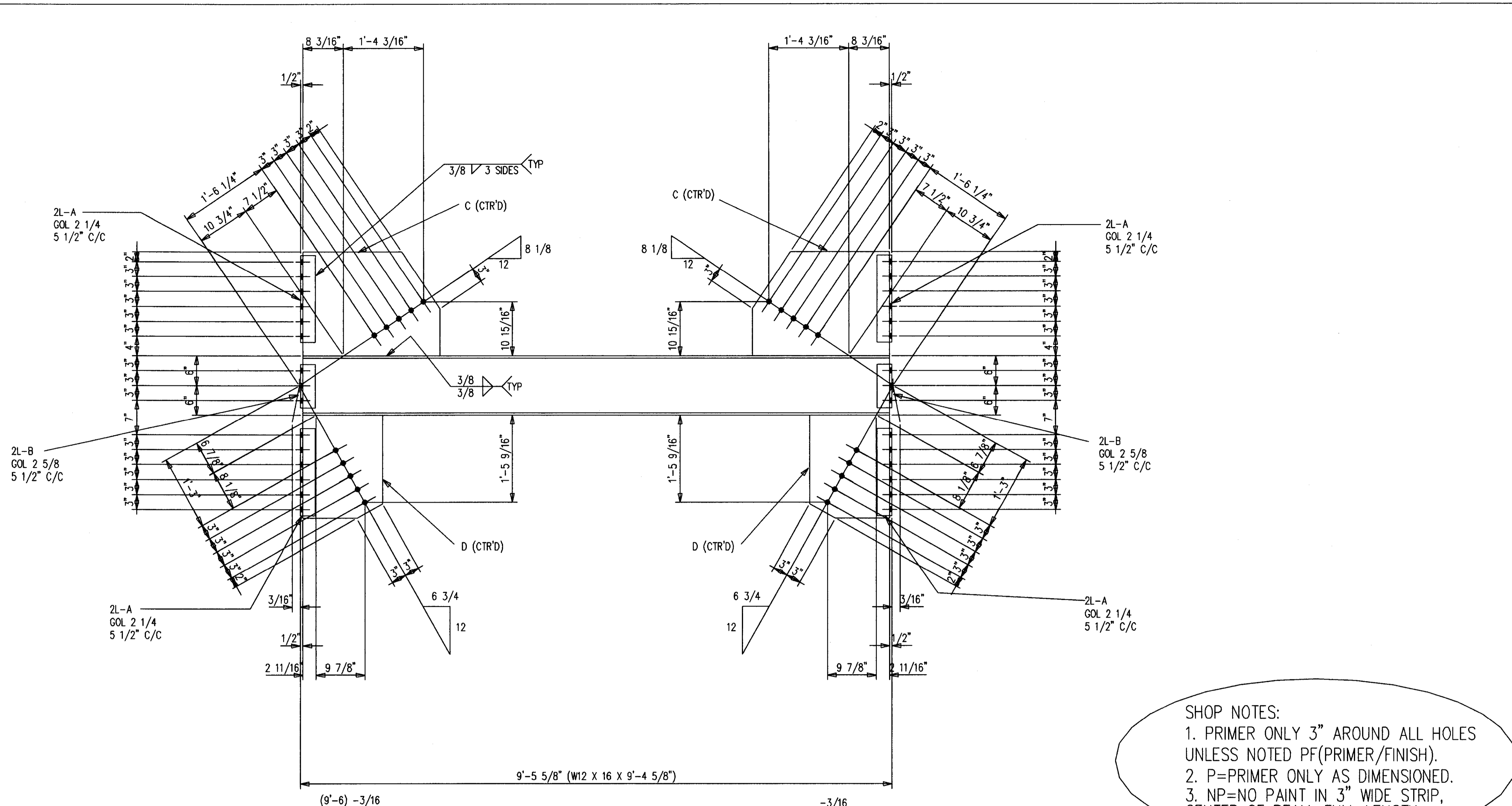


SECTION A

AS BUILT  
 NAME: *Map Hughes*  
 DATE: AUG 16 1999

DATE	APP	SHOP	FIELD

NO. DATE		REVISION DESCRIPTION		DWN. CVD	
CONTRACTOR TO CHECK ALL DIMENSIONS AT JOB AS MID STATES STEEL PRODUCTS CO. ASSUMES NO RESPONSIBILITY FOR GENERAL BUILDING DIMENSIONS. NO BACK CHARGES PERTAINING TO THIS WORK WILL BE ACCEPTED WITHOUT PRIOR AUTHORIZATION BY MID STATES STEEL PRODUCTS CO.					
MATERIAL U/W	A36	DRAWN BY	JDL	JOB NAME	COMMONWEALTH STADIUM EXPANSION
OPEN HOLES U/W	1/16Ø	DATE	9/98	JOB LOCATION	UNIVERSITY OF KENTUCKY
WELD ELECTRODE U/W	E70XX	CHECKED BY	GCL	CONTRACTOR	TURNER CONSTRUCTION COMPANY
SHOP PAINT	SEE SPECS	DATE	9/98	ENGINEER	WALTER P. MOORE AND ASSOCIATES, INC.
DRAWING TITLE	BEAMS				
				P.O. BOX 11128-2044 BUCK LANE LEXINGTON, KENTUCKY 40511 PHONE: 806-233-4344 FAX: 806-233-4346	
				ORDER NO.	P3524
				SHEET NO.	420

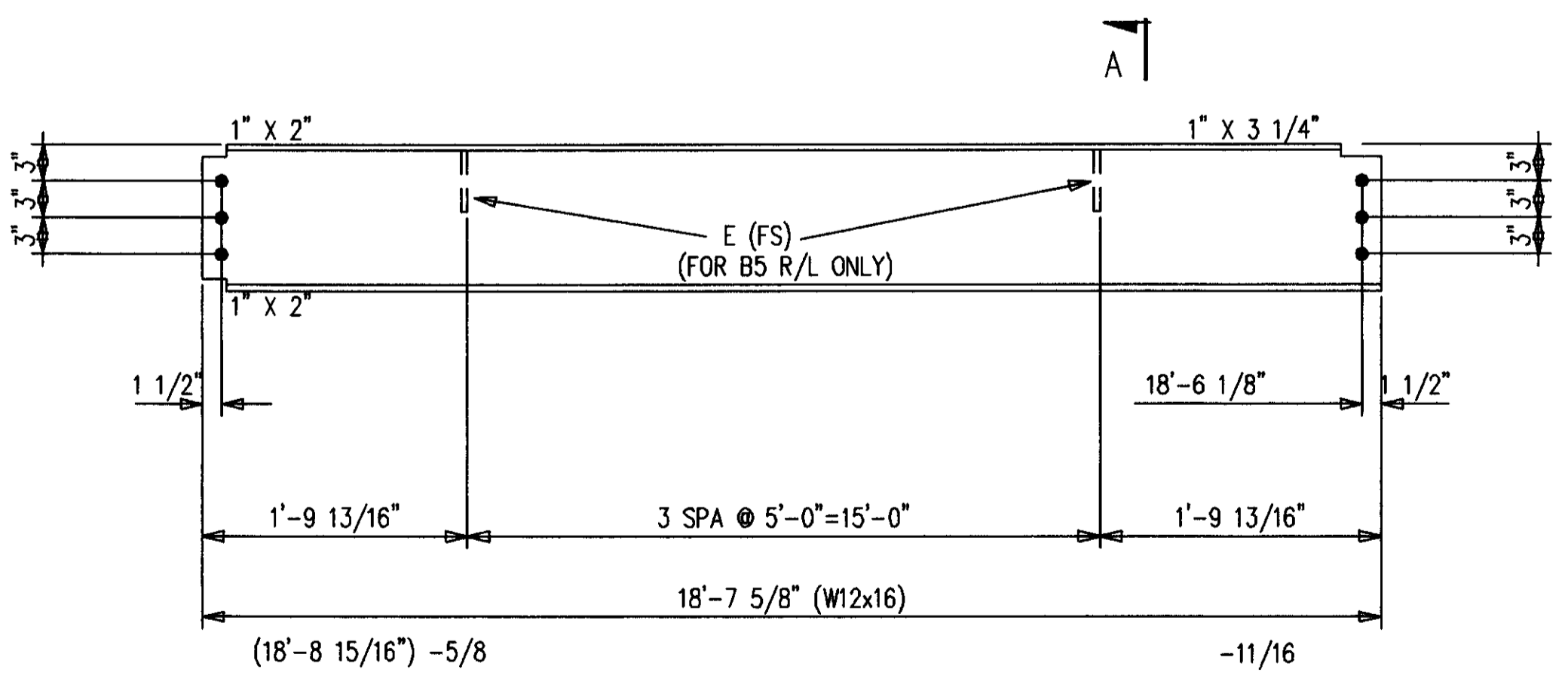


2-BEAMS 421B1  
120-A490 1 X 2 1/2 F1640H

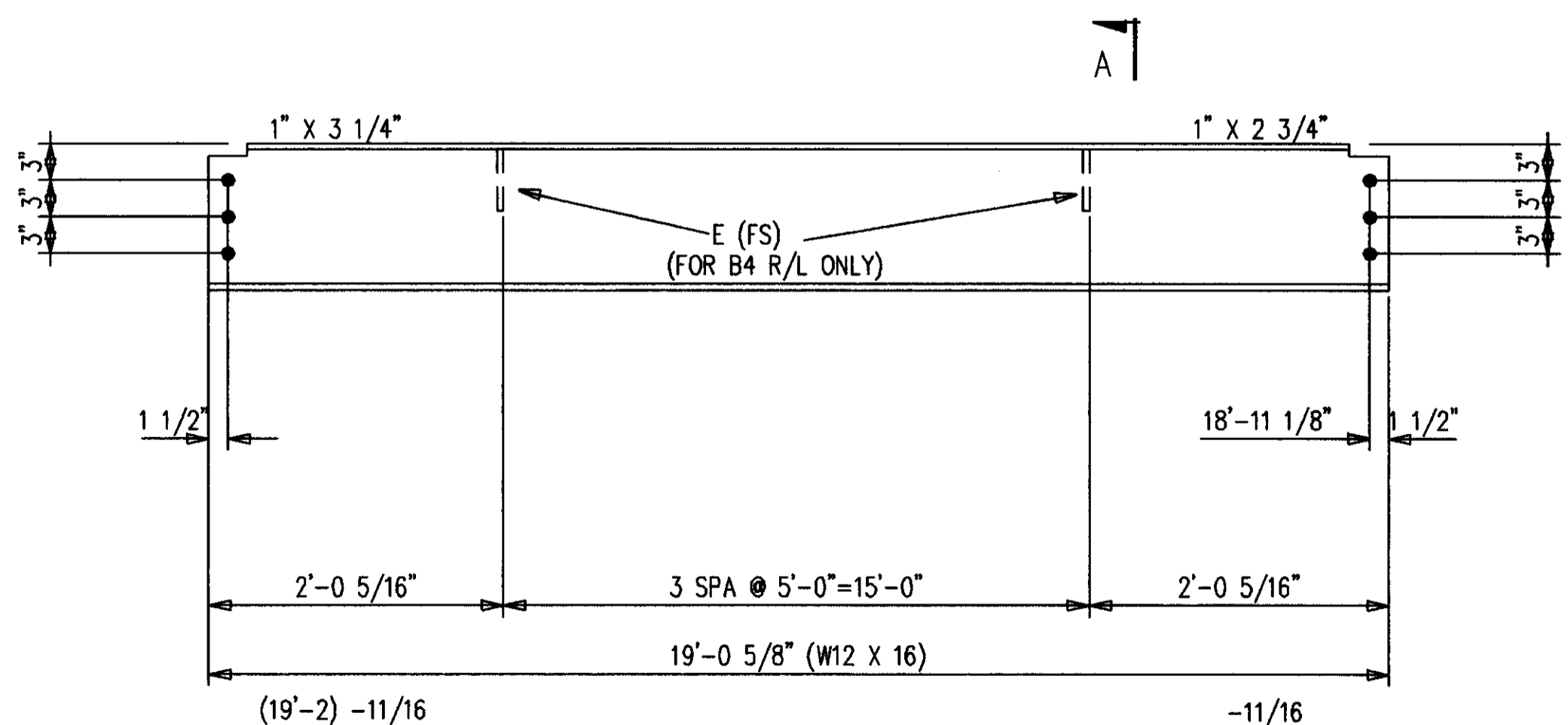
SHOP NOTES:  
1. PRIMER ONLY 3" AROUND ALL HOLES UNLESS NOTED PF(PRIMER/FINISH).  
2. P=PRIMER ONLY AS DIMENSIONED.  
3. NP=NO PAINT IN 3" WIDE STRIP, CENTER OF BEAM, FULL LENGTH.

BILL OF MATERIAL

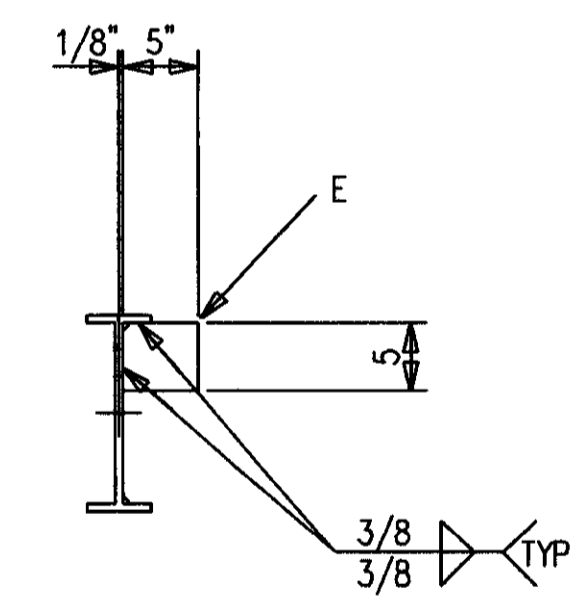
MARK	QUAN.	DESCRIPTION	LENGTH		REMARKS
			FT.	IN.	
421B1	2	BEAMS			
421B1	2	W12X16 A572	9	4-5/8	
A421	16	L4X3X1/2	1	6	P
B421	8	L4X3X1/2	0	9	P
C421	4	PL1X21	2	3-11/16	P
D421	4	PL1X16-1/8	1	8-3/4	P
421B2	2	BEAMS			
421B2	2	W12X16 A572	18	7-5/8	P
421B3	8	BEAMS			
421B3	8	W12X16 A572	19	0-5/8	P
421B4 L	ONE	BEAM			
421B4	1	W12X16 A572	19	0-5/8	P
E421	4	PL3/8X5	0	5	CTF
421B4 R	ONE	BEAM			
421B4	1	W12X16 A572	19	0-5/8	P
E421	4	PL3/8X5	0	5	CTF
421B5 L	ONE	BEAM			
421B5	1	W12X16 A572	18	7-5/8	P
E421	4	PL3/8X5	0	5	CTF
421B5 R	ONE	BEAM			
421B5	1	W12X16 A572	18	7-5/8	P
E421	4	PL3/8X5	0	5	CTF
FIELD BOLTS					
F1636H	85	A490 1X2-1/4			
F1640H	122	A490 1X2-1/2			
F16L1	208	A LOAD IND 1			



2-BEAMS 421B2  
ONE-BEAM 421B5 R [AS SHOWN]  
ONE-BEAM 421B5 L [OPP HAND]  
24-A490 1 X 2 1/4 F1636H



8-BEAMS 421B3  
ONE-BEAM 421B4 R [AS SHOWN]  
ONE-BEAM 421B4 L [OPP HAND]  
60-A490 1 X 2 1/4 F1636H



SECTION A

AS BUILT  
NAME: *Wp Hughes*  
DATE: AUG 16 1999

DATE	APP	SHOP	FIELD

NO.	DATE	REVISION DESCRIPTION	OWN	APP

CONTRACTOR TO CHECK ALL DIMENSIONS AT JOB AS MID STATES STEEL PRODUCTS CO. ASSUMES NO RESPONSIBILITY FOR GENERAL BUILDING DIMENSIONS. NO BACK CHANGES PERTAINING TO THIS WORK WILL BE ACCEPTED WITHOUT PRIOR AUTHORIZATION BY MID STATES STEEL PRODUCTS CO.

MATERIAL U/N A36	DRAWN BY JDL	JOB NAME COMMONWEALTH STADIUM EXPANSION
OPEN HOLES U/N 1 1/16"	DATE 9/98	JOB LOCATION UNIVERSITY OF KENTUCKY
WELD ELECTRODE U/N E70XX	CHECKED BY GCL	CONTRACTOR TURNER CONSTRUCTION COMPANY
SHOP PAINT SEE SPECS	DATE 9/98	ENGINEER WALTER P. MOORE AND ASSOCIATES, INC.

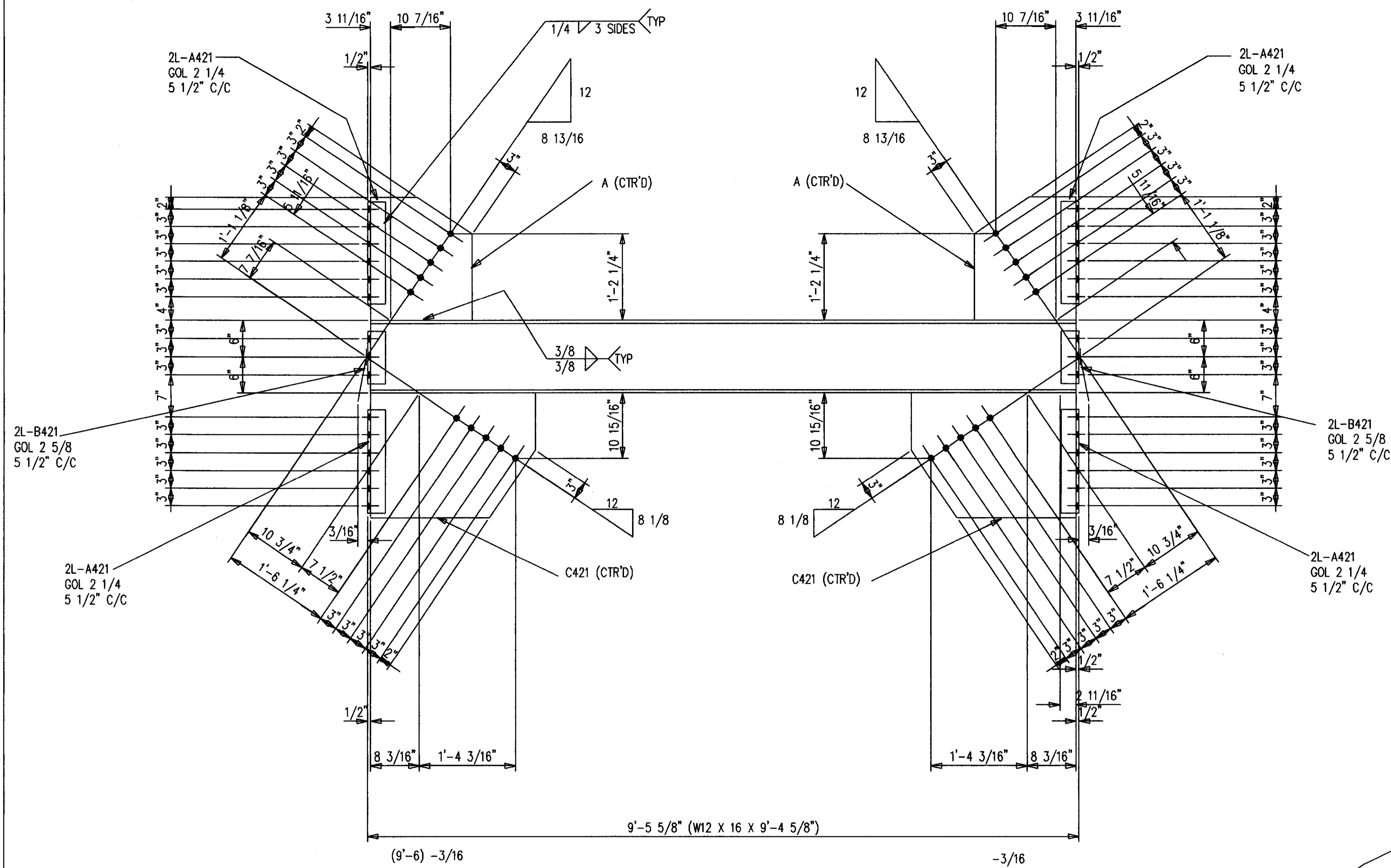
DRAWING TITLE: BEAMS

P.O. BOX 11128-2044 BUCK LANE LEXINGTON, KENTUCKY 40511 PHONE: 606-233-4344 FAX: 606-233-4346	ORDER NO. P3524 SHEET NO. 421
---	----------------------------------

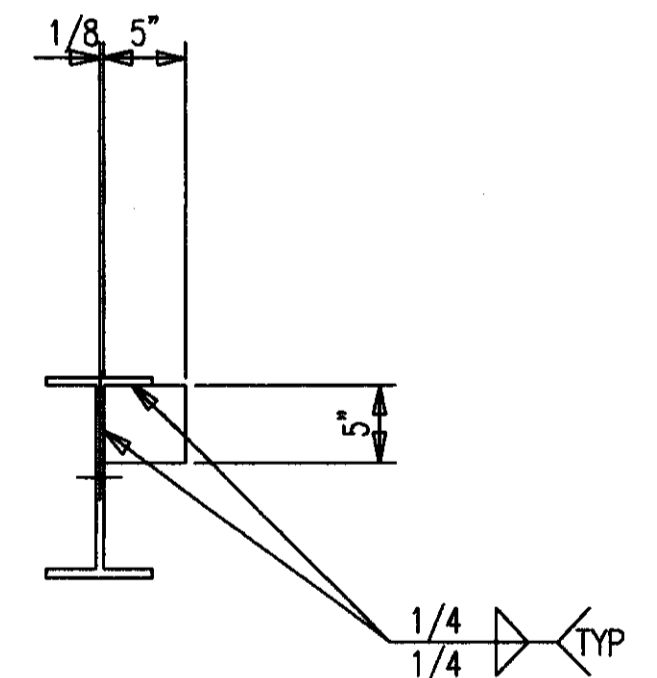
FABRICATORS OF STRUCTURAL AND MISCELLANEOUS STEEL

# BILL OF MATERIAL

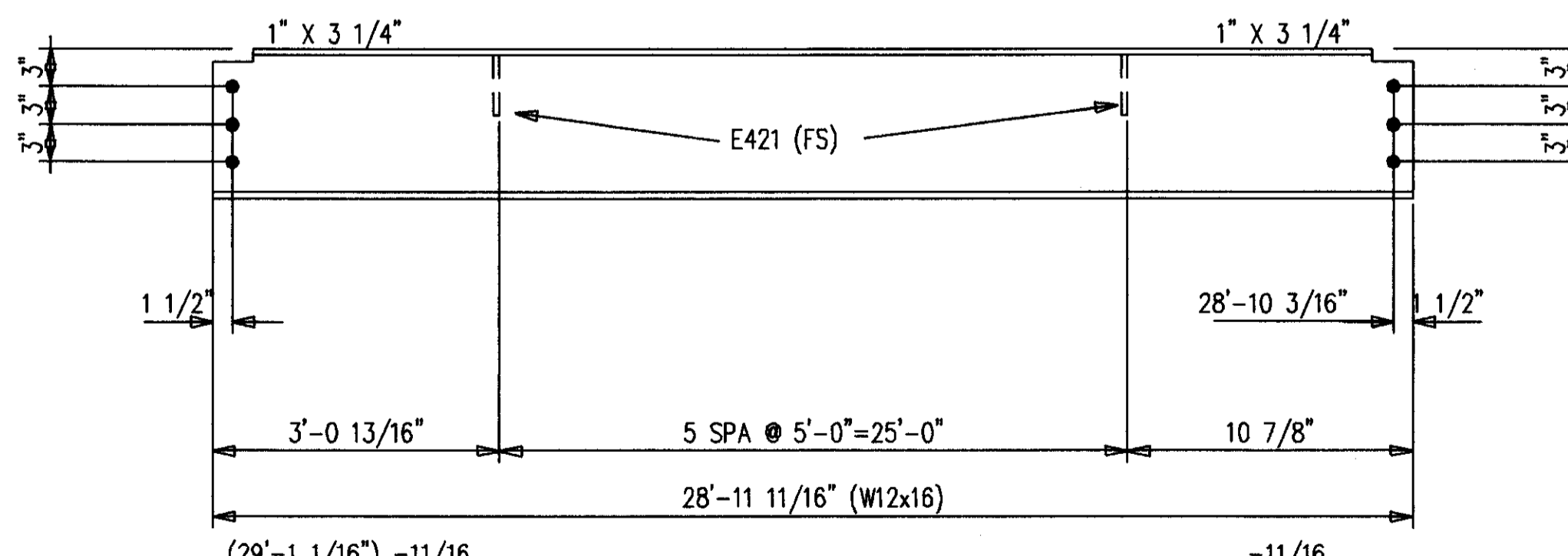
MARK	QUAN.	DESCRIPTION	LENGTH		REMARKS
			FT.	IN.	
422B1	2	BEAMS			
422B1	2	W12X16 A572	9	4-5/8	
A421	16	L4X3X1/2	1	6	P
A422	4	PL1X17-3/4	1	9	P
B421	8	L4X3X1/2	0	9	P
C421	4	PL1X21	2	3-11/16	P
422B2 L	ONE	BEAM			
422B2	1	W12X16 A572	28	11-11/16	P
E421	6	PL3/8X5	0	5	CTF
422B2 R	ONE	BEAM			
422B2	1	W12X16 A572	28	11-11/16	P
E421	6	PL3/8X5	0	5	CTF
422B3	2	BEAMS			
422B3	2	W12X19 A572	28	11-11/16	P
		FIELD BOLTS			
F1636H	25	A490 1X2-1/4			
F1640H	122	A490 1X2-1/2			
F16LI	146	A LOAD IND 1			



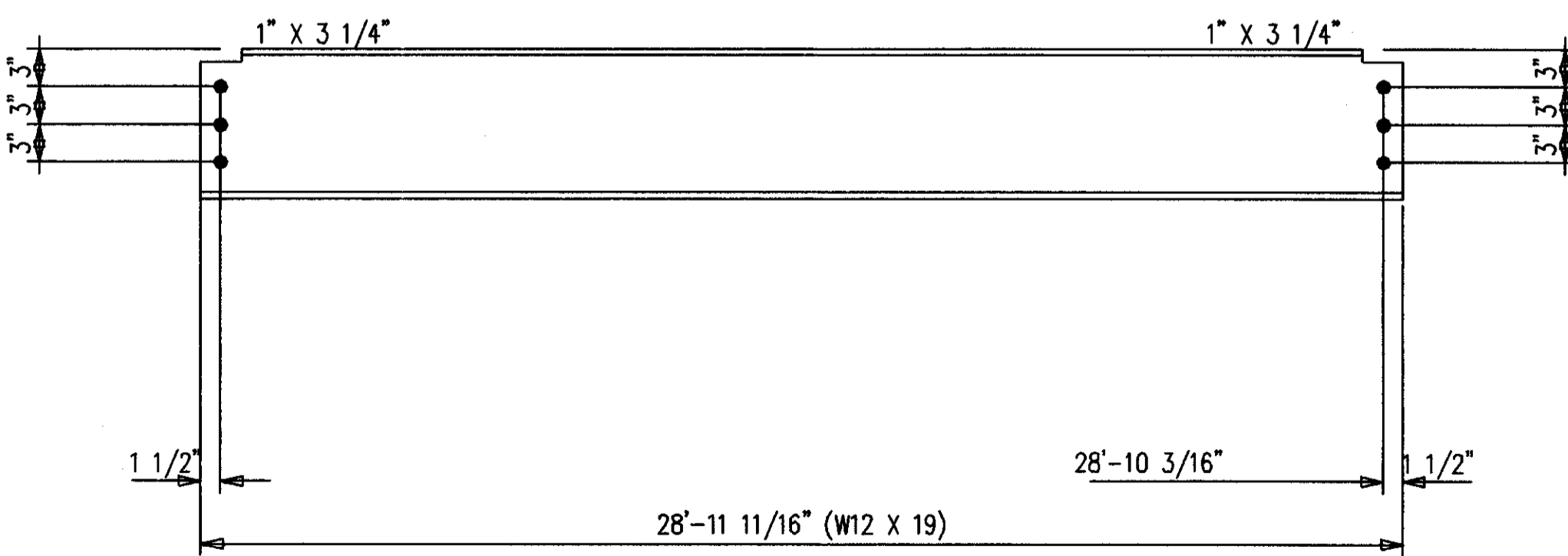
SHOP NOTES:  
 1. PRIMER ONLY 3" AROUND ALL HOLES UNLESS NOTED PF(PRIMER/FINISH).  
 2. P=PRIMER ONLY AS DIMENSIONED.  
 3. NP=NO PAINT IN 3" WIDE STRIP, CENTER OF BEAM, FULL LENGTH.



2-BEAMS 422B1  
 120-A490 1 X 2 1/2 F1640H



ONE-BEAM 422B2 R [AS SHOWN]  
 ONE-BEAM 422B2 L [OPP HAND]  
 12-A490 1 X 2 1/4 F1636H



2-BEAMS 422B3  
 12-A490 1 X 2 1/4 F1636H

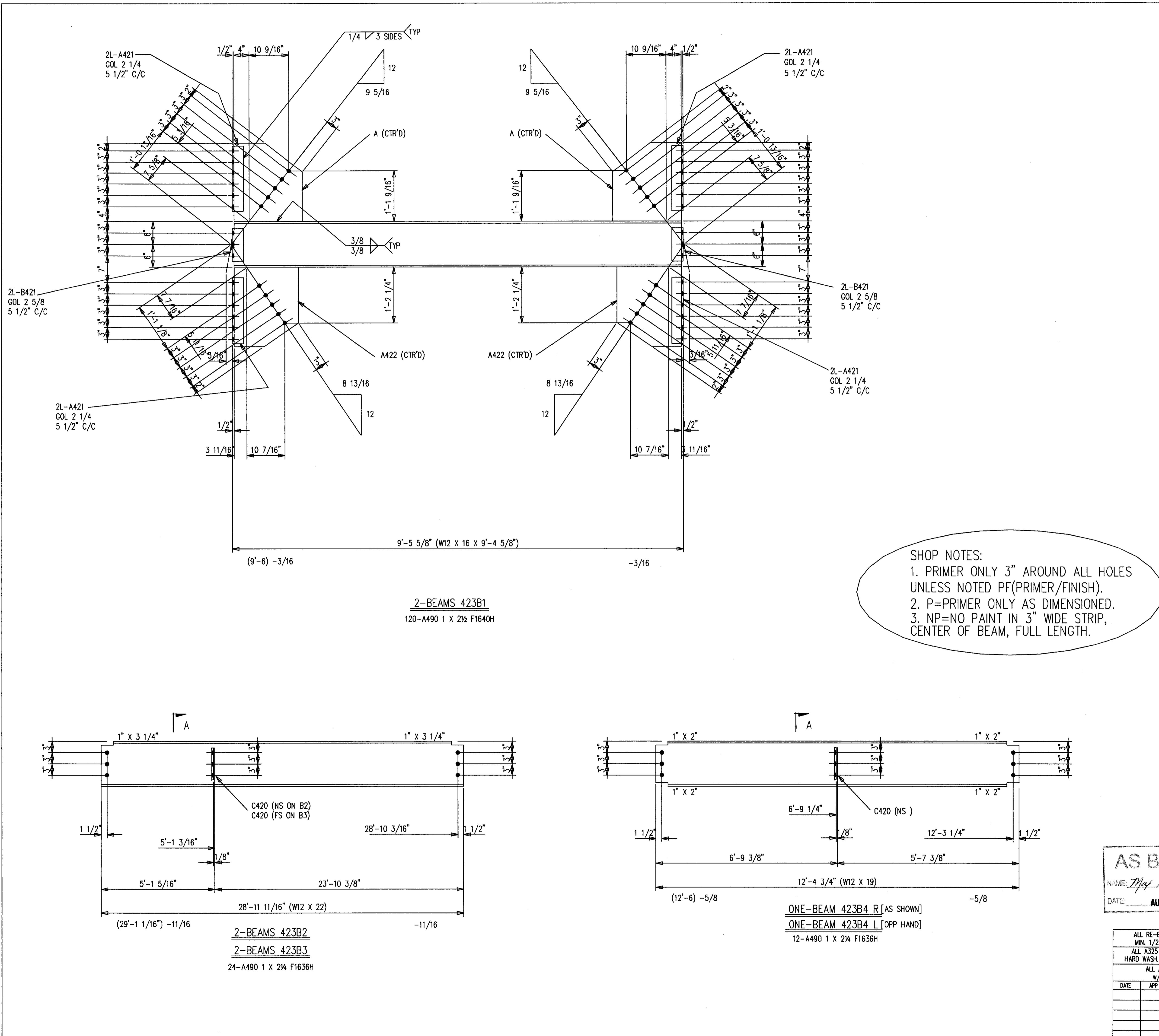
**AS BUILT**  
 NAME: *Mark Hughes*  
 DATE: AUG 16 1999

NO.	DATE	REVISION DESCRIPTION	BY	CHKD	
CONTRACTOR TO CHECK ALL DIMENSIONS AT JOB AS MID STATES STEEL PRODUCTS CO. ASSUMES NO RESPONSIBILITY FOR GENERAL BUILDING DIMENSIONS. NO BACK CHARGES PERTAINING TO THIS WORK WILL BE ACCEPTED WITHOUT PRIOR AUTHORIZATION BY MID STATES STEEL PRODUCTS CO.					
MATERIAL U/N	A36	DRAWN BY	JDL	JOB NAME	COMMONWEALTH STADIUM EXPANSION
OPEN HOLES U/N	1 1/16φ	DATE	9/98	JOB LOCATION	UNIVERSITY OF KENTUCKY
WELD ELECTRODE U/N	E70XX	CHECKED BY	GCL	CONTRACTOR	TURNER CONSTRUCTION COMPANY
SHOP PAINT	SEE SPECS	DATE	9/98	ENGINEER	WALTER P. MOORE AND ASSOCIATES, INC.
DRAWING TITLE: BEAMS					

DATE	APP.	SHOP	FIELD

P.O. BOX 11128-2044 BUCK LANE  
 LEXINGTON, KENTUCKY 40511  
 PHONE: 606-233-4344 FAX: 606-233-4346  
**MID STATES STEEL PRODUCTS CO.**  
 FABRICATORS OF STRUCTURAL AND MISCELLANEOUS STEEL

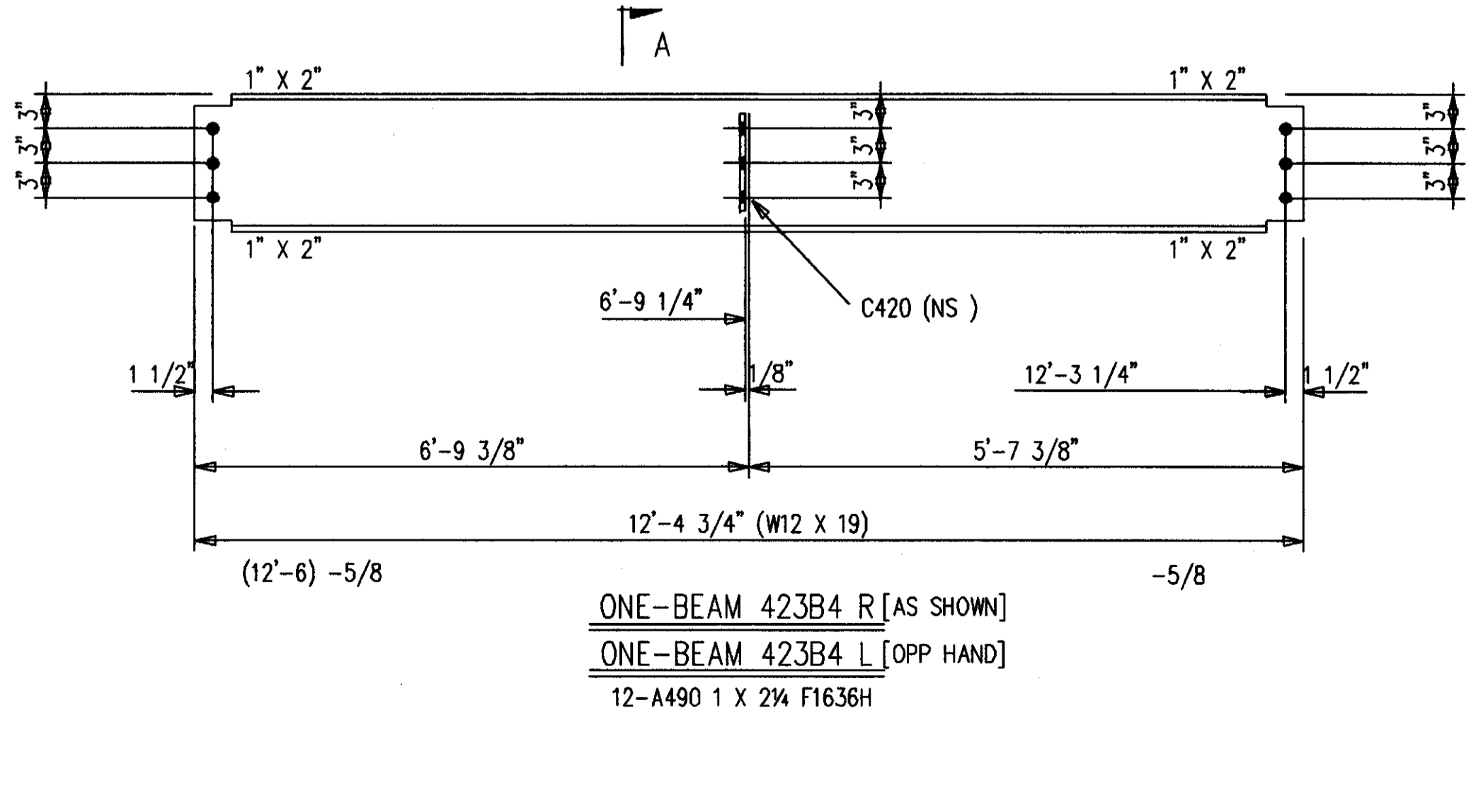
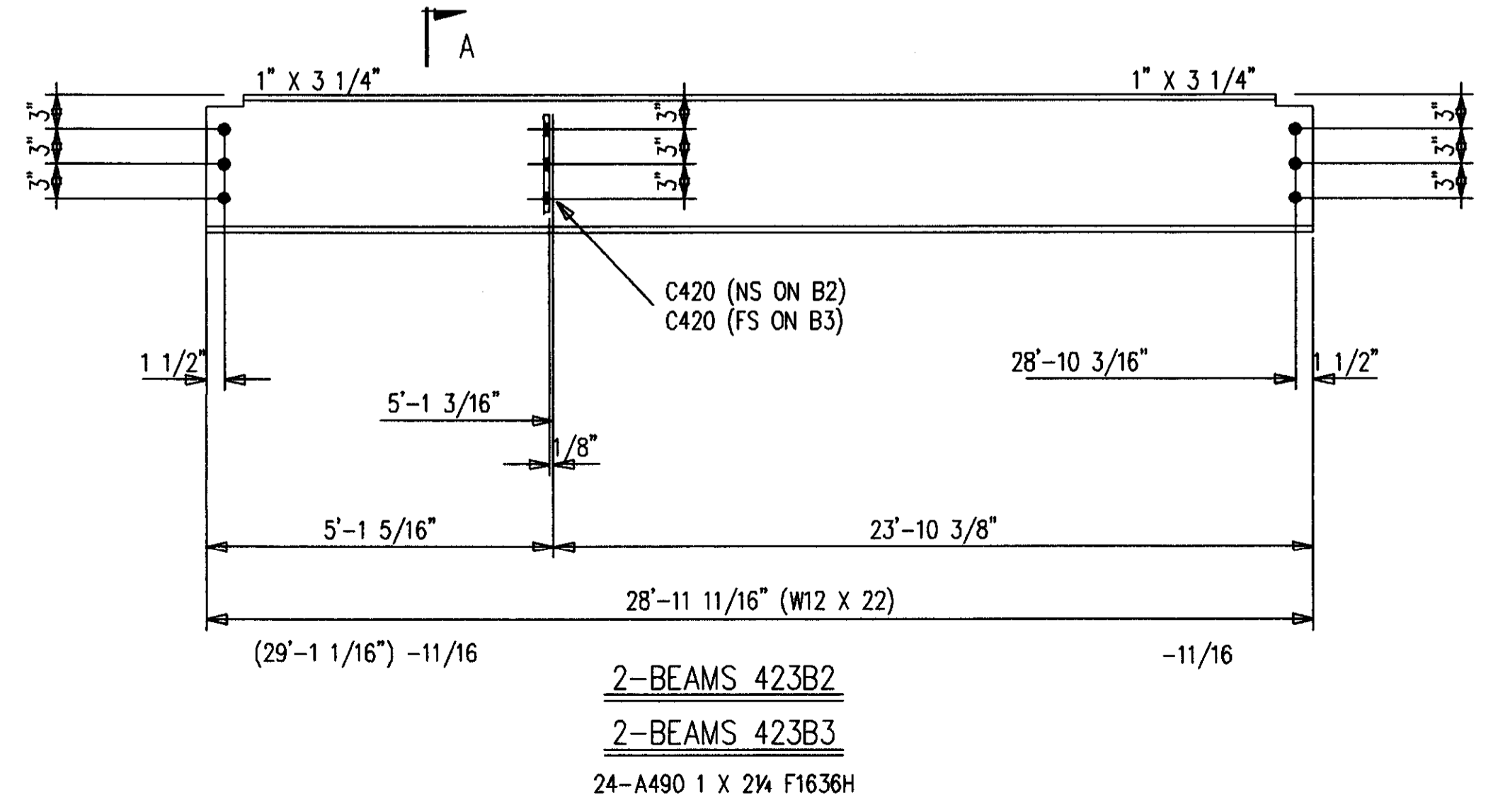
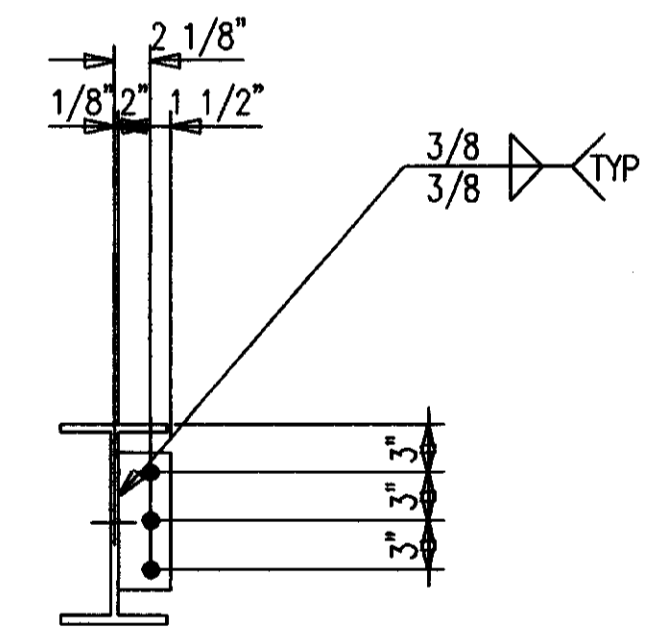
ORDER NO. P3524  
 SHEET NO. 422



### BILL OF MATERIAL

MARK	QUAN.	DESCRIPTION	LENGTH		REMARKS
			FT.	IN.	
423B1	2	BEAMS			
423B1	2	W12X16 A572	9	4-5/8	
A421	16	L4X3X1/2	1	6	P
A422	4	PL1X17-3/4	1	9	P
A423	4	PL1X18-1/8	1	9	P
B421	8	L4X3X1/2	0	9	P
423B2	2	BEAMS			
423B2	2	W12X22 A572	28	11-11/16	P
C420	2	FB1/2X3-1/2	0	9	P
423B3	2	BEAMS			
423B3	2	W12X22 A572	28	11-11/16	P
C420	2	FB1/2X3-1/2	0	9	P
423B4 L	ONE	BEAM			
423B4	1	W12X19 A572	12	4-3/4	P
C420	1	FB1/2X3-1/2	0	9	P
423B4 R	ONE	BEAM			
423B4	1	W12X19 A572	12	4-3/4	P
C420	1	FB1/2X3-1/2	0	9	P
		FIELD BOLTS			
F1636H	37	A490 1X2-1/4			
F1640H	122	A490 1X2-1/2			
F16LI	158	A LOAD IND 1			

**SHOP NOTES:**  
 1. PRIMER ONLY 3" AROUND ALL HOLES UNLESS NOTED PF(PRIMER/FINISH).  
 2. P=PRIMER ONLY AS DIMENSIONED.  
 3. NP=NO PAINT IN 3" WIDE STRIP, CENTER OF BEAM, FULL LENGTH.



**AS BUILT**  
 NAME: *Max Hughes*  
 DATE: **AUG 16 1999**

NO.	DATE	REVISION DESCRIPTION	DWN.	CHKD.	
		CONTRACTOR TO CHECK ALL DIMENSIONS AT JOB AS MID STATES STEEL PRODUCTS CO. ASSUMES NO RESPONSIBILITY FOR GENERAL BUILDING DIMENSIONS. NO BACK CHARGES PERTAINING TO THIS WORK WILL BE ACCEPTED WITHOUT PRIOR AUTHORIZATION BY MID STATES STEEL PRODUCTS CO.			
MATERIAL U/A	A36	DRAWN BY	JDL	JOB NAME	COMMONWEALTH STADIUM EXPANSION
OPEN HOLES U/A	1 1/16"	DATE	9/98	JOB LOCATION	UNIVERSITY OF KENTUCKY
WELD ELECTRODE U/A	E70XX	CHECKED BY	CCL	CONTRACTOR	TURNER CONSTRUCTION COMPANY
SHOP PAINT SEE SPECS		DATE	9/98	ENGINEER	WALTER P. MOORE AND ASSOCIATES, INC.
TITLE	BEAMS				

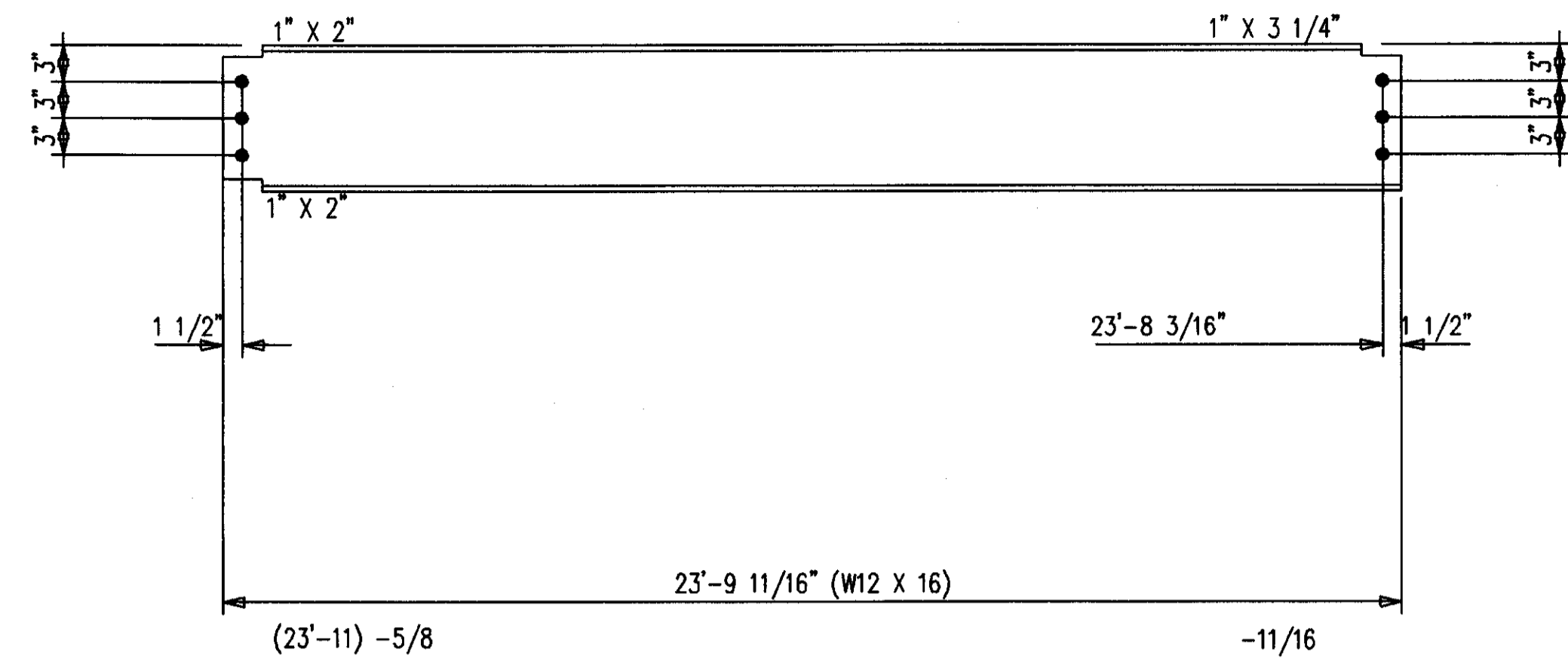
**MID STATES STEEL PRODUCTS CO.**  
 FABRICATORS OF STRUCTURAL AND MISCELLANEOUS STEEL

P.O. BOX 11128-2044 BUCK LANE  
 LEXINGTON, KENTUCKY 40511  
 PHONE: 606-233-4344 FAX: 606-233-4346

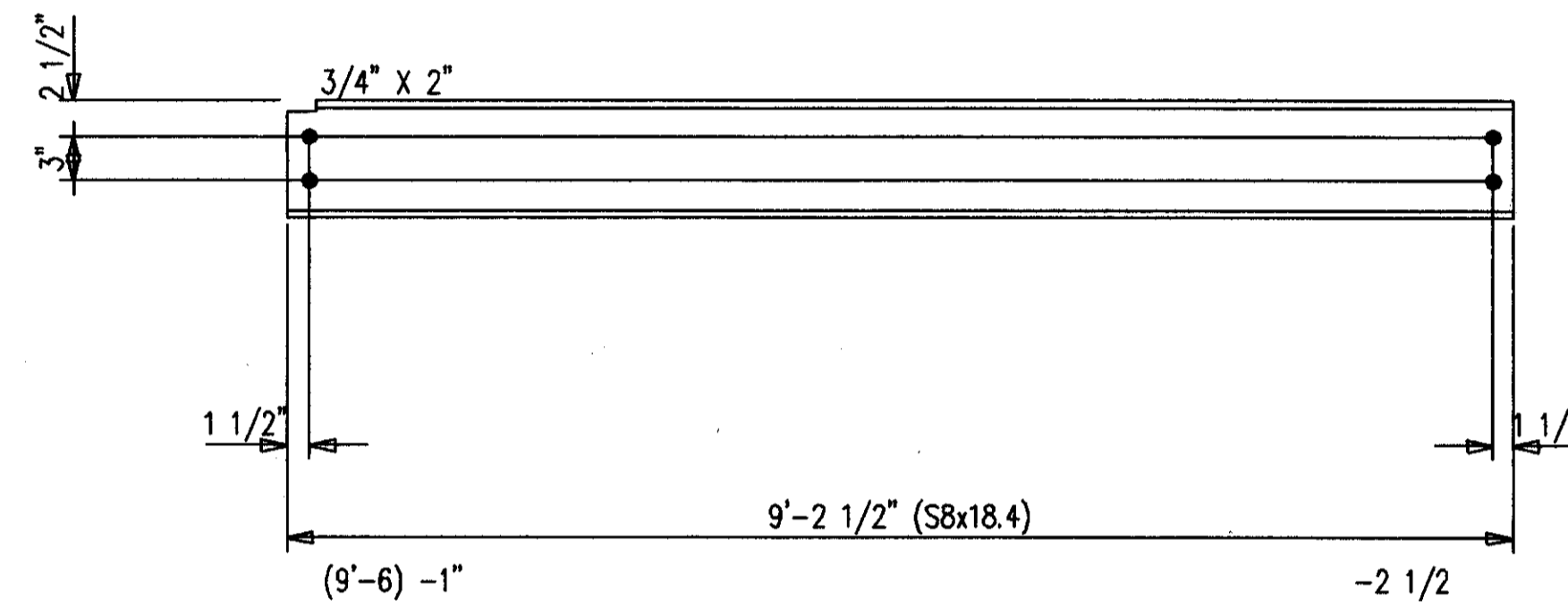
ORDER NO. **P3524**  
 SHEET NO. **423**

BILL OF MATERIAL

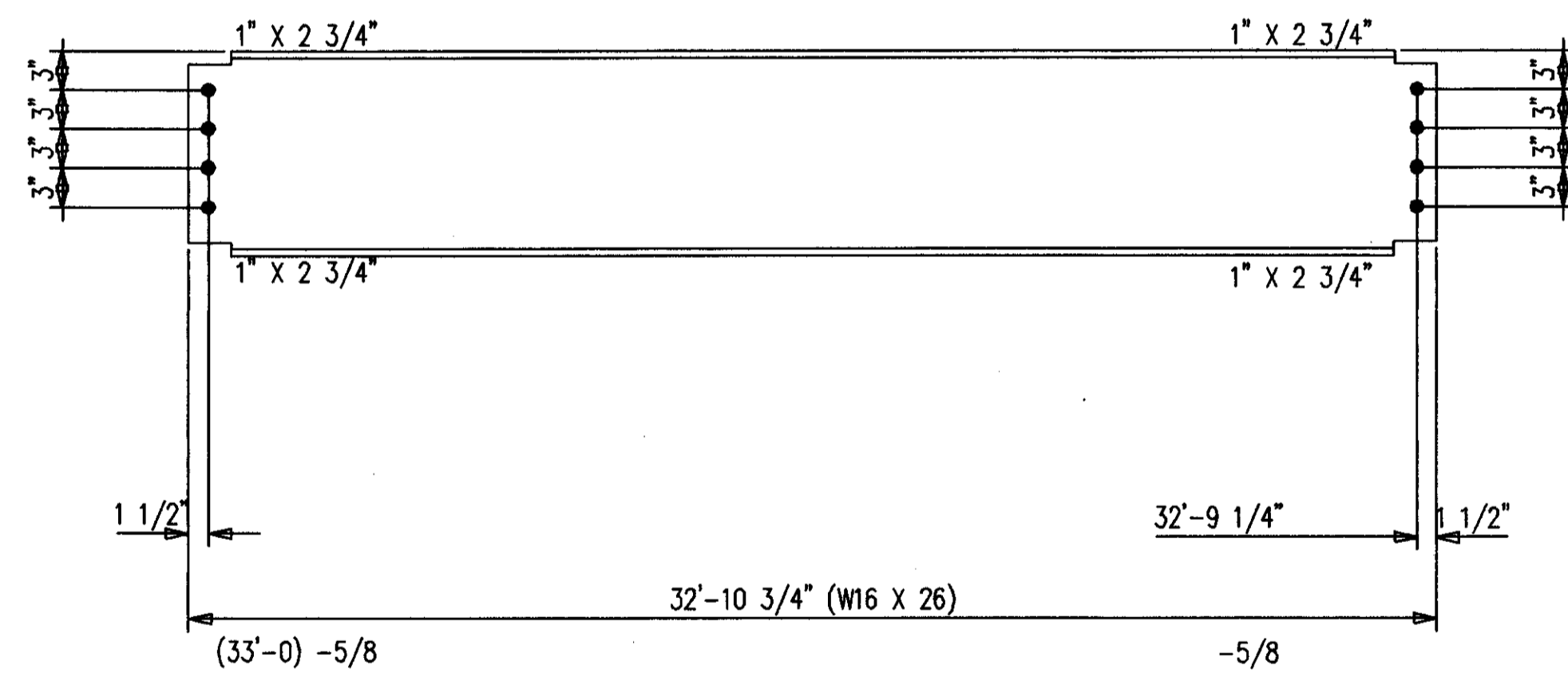
MARK	QUAN.	DESCRIPTION	LENGTH		REMARKS
			FT.	IN.	
424B2	2	BEAMS			
424B2	2	W12X16 A572	23	9-11/16	P
424B3	4	BEAMS			
424B3	4	W16X26 A572	32	10-3/4	P
424B4	2	BEAMS			
424B4	2	S8X18.4	9	2-1/2	P
		FIELD BOLTS			
F1636H	53	A490 1X2-1/4			
F16L1	53	A LOAD IND 1			



2-BEAMS 424B2  
12-A490 1 X 2 1/4 F1636H



2-BEAMS 424B4  
8-A490 1 X 2 1/4 F1636H



4-BEAMS 424B3  
32-A490 1 X 2 1/4 F1636H

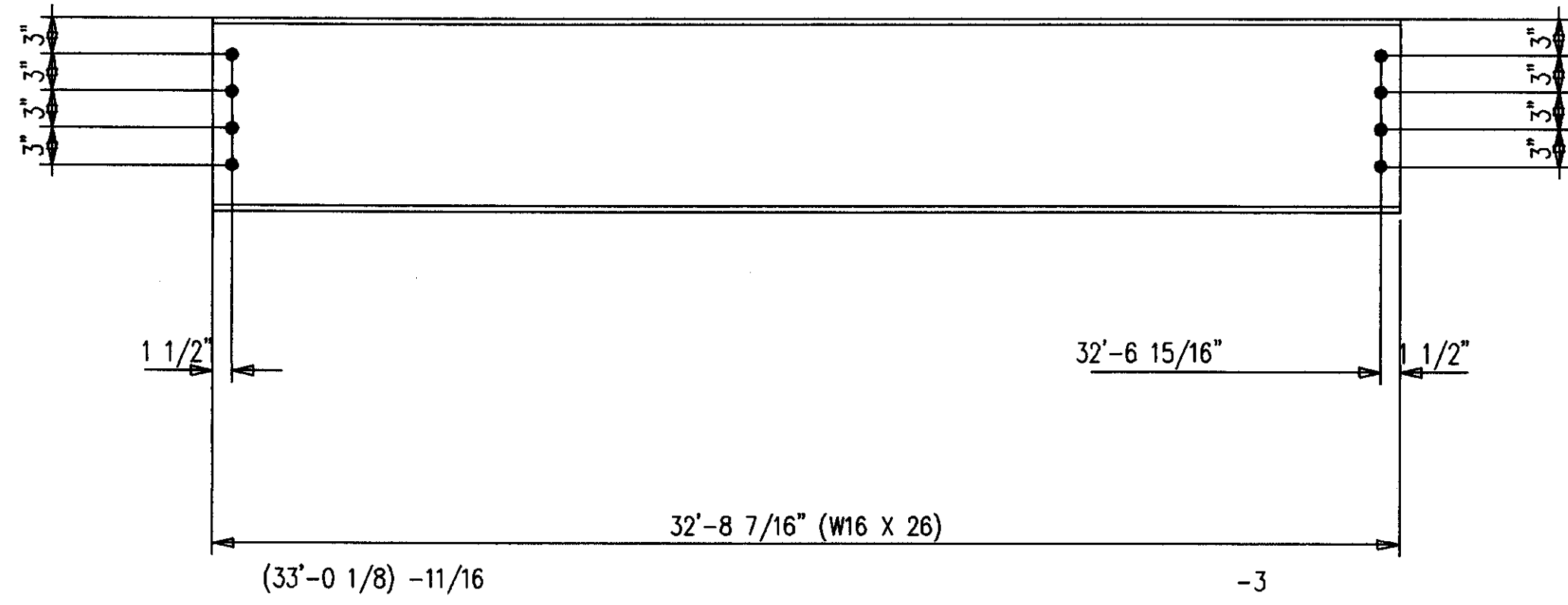
SHOP NOTES:  
1. PRIMER ONLY 3" AROUND ALL HOLES UNLESS NOTED PF(PRIMER/FINISH).  
2. P=PRIMER ONLY AS DIMENSIONED.  
3. NP=NO PAINT IN 3" WIDE STRIP, CENTER OF BEAM, FULL LENGTH.

AS BUILT  
NAME: *Mop Hughes*  
DATE: AUG 16 1999

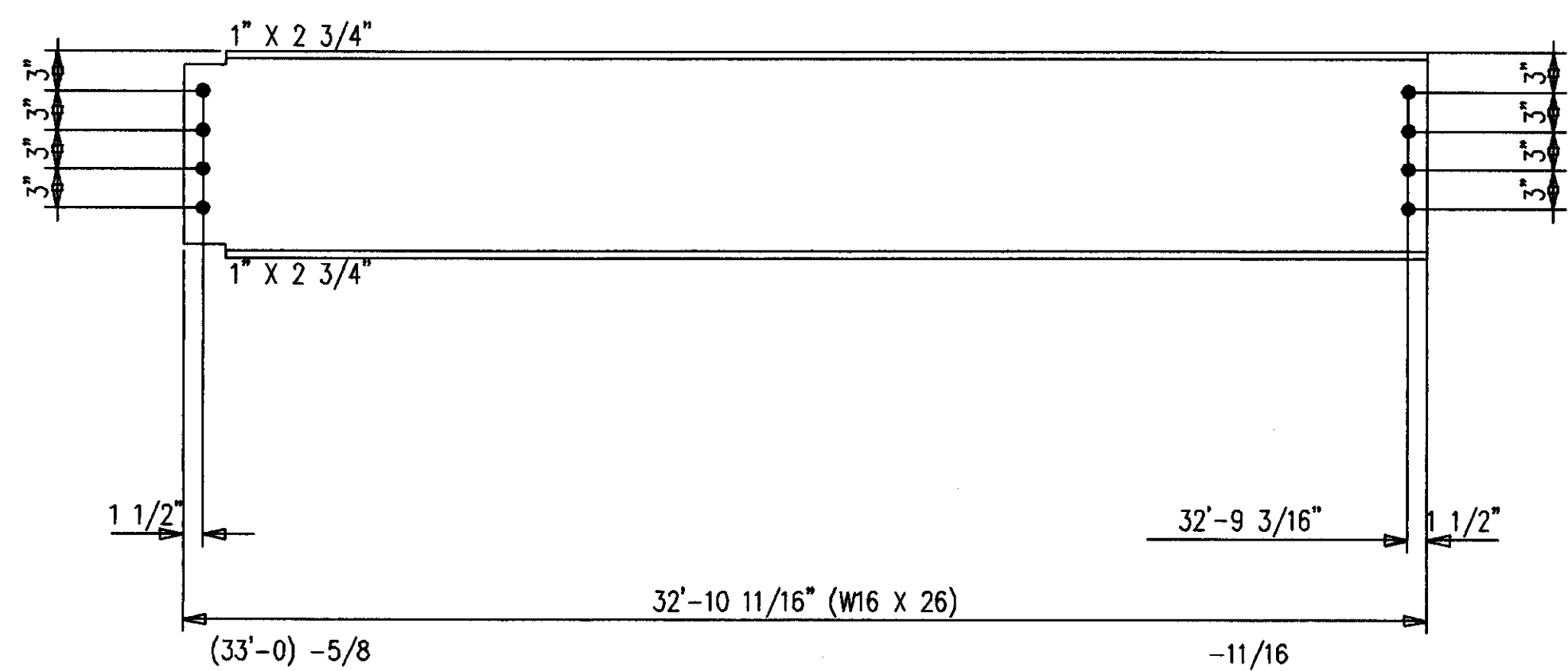
DATE	APP.	SHOP	FIELD

NO. DATE		REVISION DESCRIPTION		DRAWN L. COO.
CONTRACTOR TO CHECK ALL DIMENSIONS AT JOB AS MID STATES STEEL PRODUCTS CO. ASSUMES NO RESPONSIBILITY FOR GENERAL BUILDING DIMENSIONS. NO BACK CHARGES PERTAINING TO THIS WORK WILL BE ACCEPTED WITHOUT PRIOR AUTHORIZATION BY MID STATES STEEL PRODUCTS CO.				
MATERIAL U/N A36	DRAWN BY JDL	JOB NAME COMMONWEALTH STADIUM EXPANSION		
OPEN HOLES U/N 1 1/16"	DATE 9/98	JOB LOCATION UNIVERSITY OF KENTUCKY		
WELD ELECTRODE U/N E70XX	CHECKED BY GCL	CONTRACTOR TURNER CONSTRUCTION COMPANY		
SHOP PAINT SEE SPECS	DATE 9/98	ENGINEER WALTER P. MOORE AND ASSOCIATES, INC.		
DRAWING TITLE BEAMS				
P.O. BOX 11128-2044 BUCK LANE LEXINGTON, KENTUCKY 40511 PHONE: 606-233-4344 FAX: 606-233-4346			ORDER NO. P3524	
FABRICATORS OF STRUCTURAL AND MISCELLANEOUS STEEL			SHEET NO. 424	

Document # 34799  
206 A-2



2-BEAMS 425B2  
16-A490 1 X 2 1/4 F1636H



2-BEAMS 425B3  
16-A490 1 X 2 1/4 F1636H

SHOP NOTES:  
 1. PRIMER ONLY 3" AROUND ALL HOLES UNLESS NOTED PF(PRIMER/FINISH).  
 2. P=PRIMER ONLY AS DIMENSIONED.  
 3. NP=NO PAINT IN 3" WIDE STRIP, CENTER OF BEAM, FULL LENGTH.

BILL OF MATERIAL

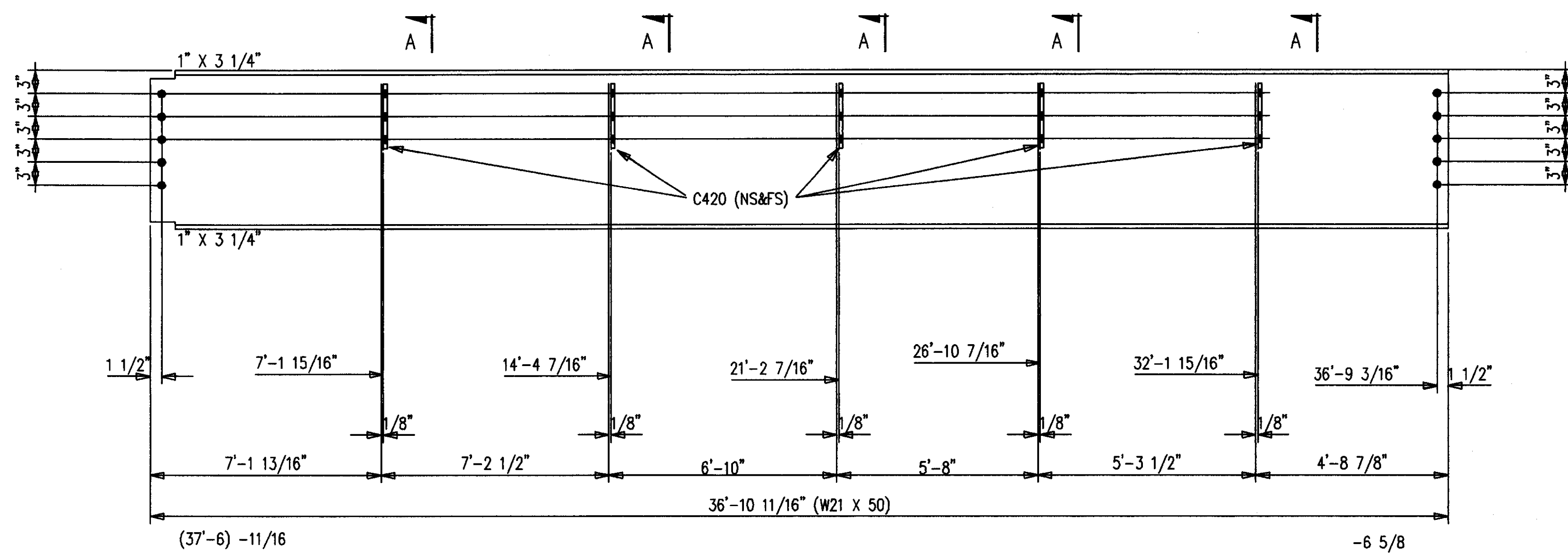
MARK	QUAN.	DESCRIPTION	LENGTH		REMARKS
			FT.	IN.	
425B2	2	BEAMS			
425B2	2	W16X26 A572	32	8-7/16	P
425B3	2	BEAMS			
425B3	2	W16X26 A572	32	10-11/16	P
		FIELD BOLTS			
F1636H	33	A490 1X2-1/4			
F16LI	33	A LOAD IND 1			

AS BUILT  
 NAME: *M. Hughes*  
 DATE: AUG 16 1999

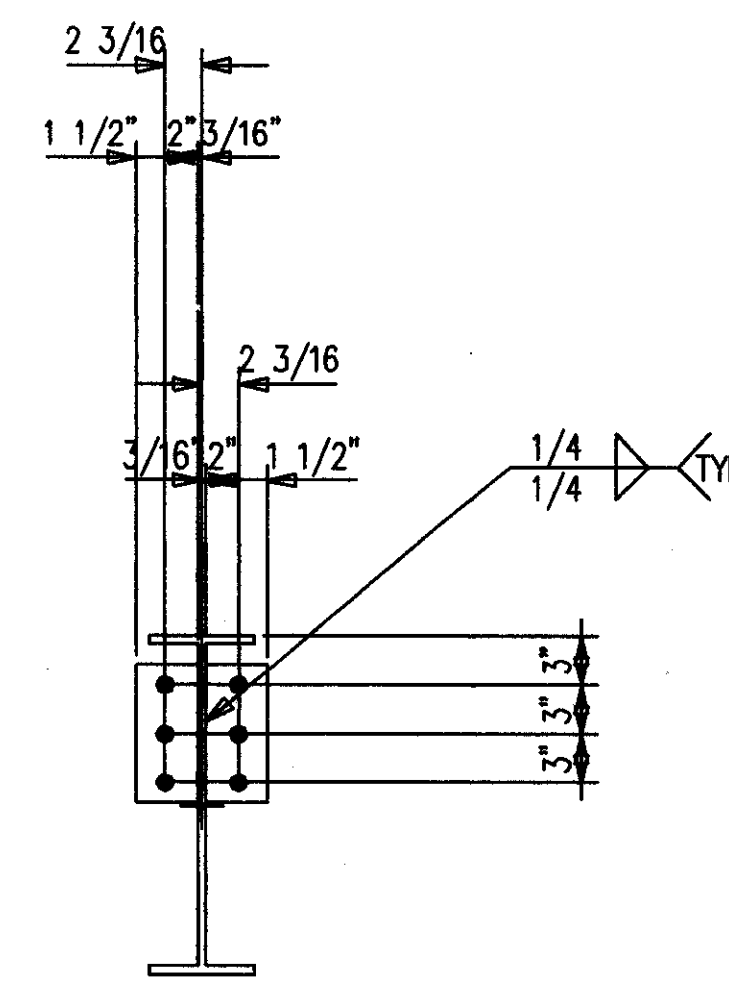
DATE	APP.	SHOP	FIELD

NO. DATE		REVISION DESCRIPTION		DWG. CDD
CONTRACTOR TO CHECK ALL DIMENSIONS AT JOB AS MID STATES STEEL PRODUCTS CO. ASSUMES NO RESPONSIBILITY FOR GENERAL BUILDING DIMENSIONS. NO BACK CHARGES PERTAINING TO THIS WORK WILL BE ACCEPTED WITHOUT PRIOR AUTHORIZATION BY MID STATES STEEL PRODUCTS CO.				
MATERIAL U/A A36	DRAWN BY JDL	JOB NAME	COMMONWEALTH STADIUM EXPANSION	
OPEN HOLES U/A 1 1/16Ø	DATE 9/98	JOB LOCATION	UNIVERSITY OF KENTUCKY	
WELD ELECTRODE U/A E70XX	CHECKED BY GCL	CONTRACTOR	TURNER CONSTRUCTION COMPANY	
SHOP PAINT SEE SPECS	DATE 9/98	ENGINEER	WALTER P. MOORE AND ASSOCIATES, INC.	
DRIVING TITLE BEAMS		P.O. BOX 11128-2044 BUCK LANE LEXINGTON, KENTUCKY 40511 PHONE: 606-233-4344 FAX: 606-233-4346		
MID STATES STEEL PRODUCTS CO. FABRICATORS OF STRUCTURAL AND MISCELLANEOUS STEEL				ORDER NO. P3524 SHEET NO. 425

Cab # 206  
 Slot 34600  
 Document # A-2



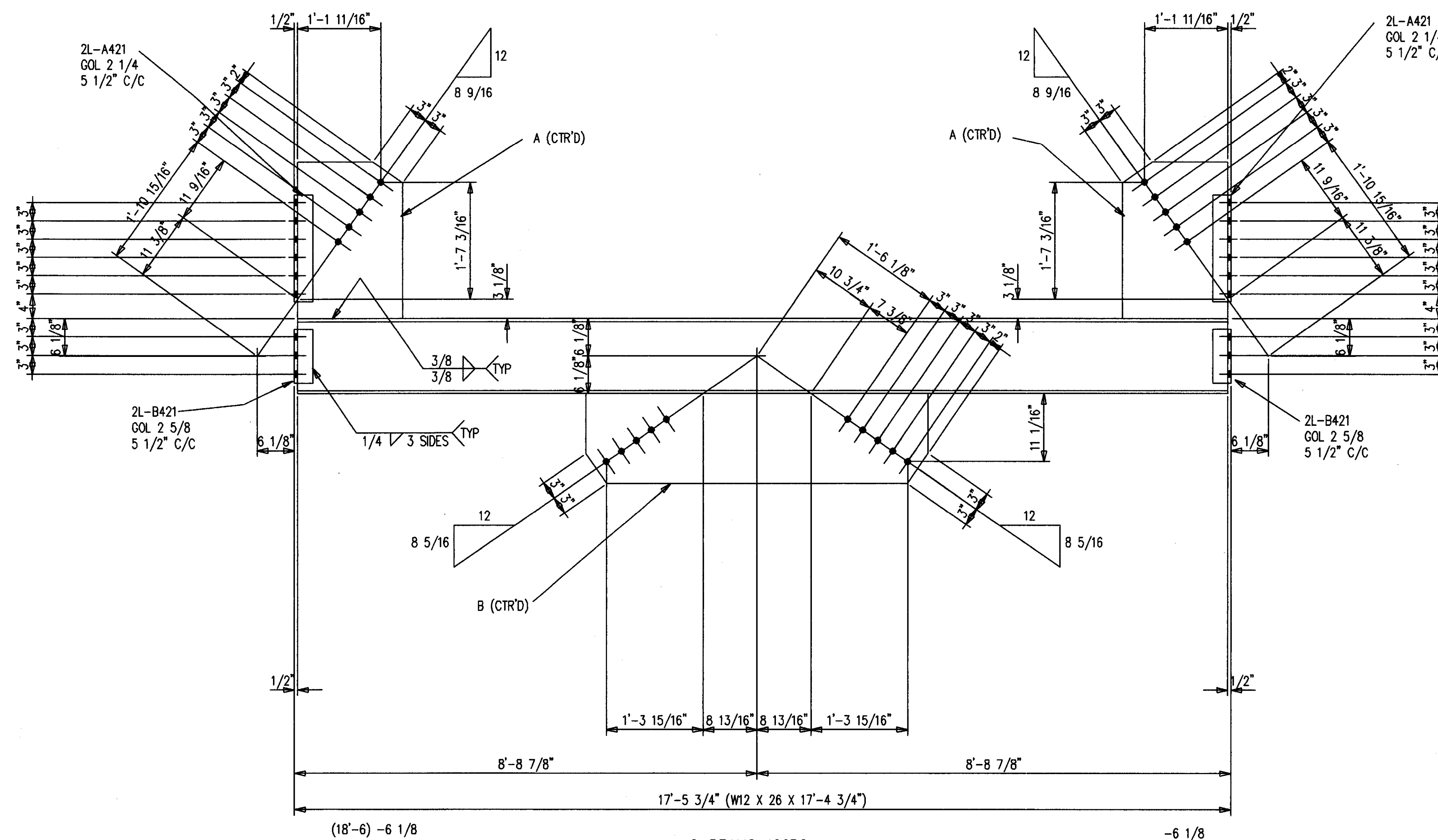
2-BEAMS 426B1  
20-A490 1 X 2 1/4 F1636H



SECTION A

BILL OF MATERIAL

MARK	QUAN.	DESCRIPTION	LENGTH		REMARKS
			FT.	IN.	
426B1	2	BEAMS			
426B1	2	W21X50 A572	36	10-11/16	P
C420	20	FB1/2X3-1/2	0	9	P
426B2	2	BEAMS			
426B2	2	W12X26 A572	17	4-3/4	
A421	8	L4X3X1/2	1	6	P
A426	4	PL1X17-5/16	2	1-11/16	P
B421	8	L4X3X1/2	0	9	P
B426	2	PL1X14-5/8	4	8-1/4	P
		FIELD BOLTS			
F1636H	21	A490 1X2-1/4			
F1644H	73	A490 1X2-3/4			
F16LI	93	A LOAD IND 1			

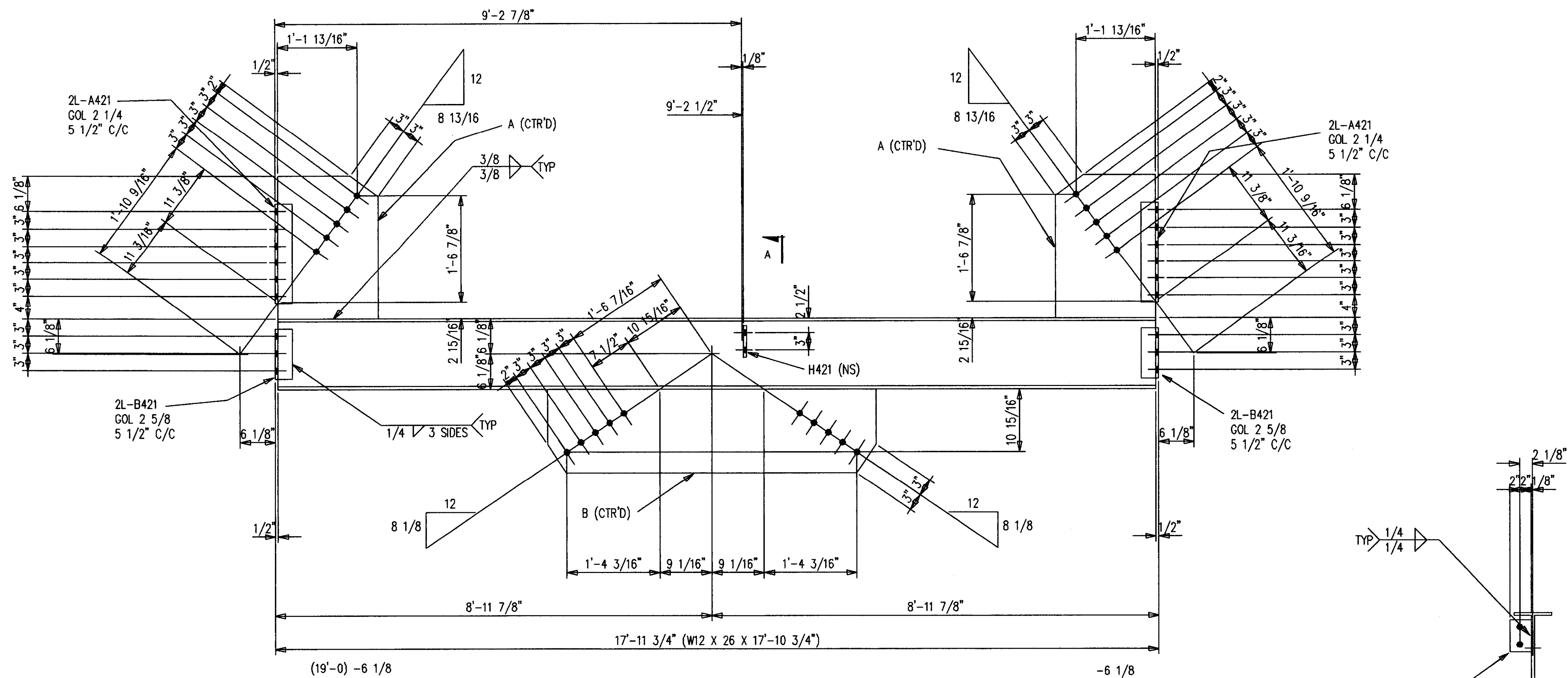


2-BEAMS 426B2  
72-A490 1 X 2 1/4 F1644H

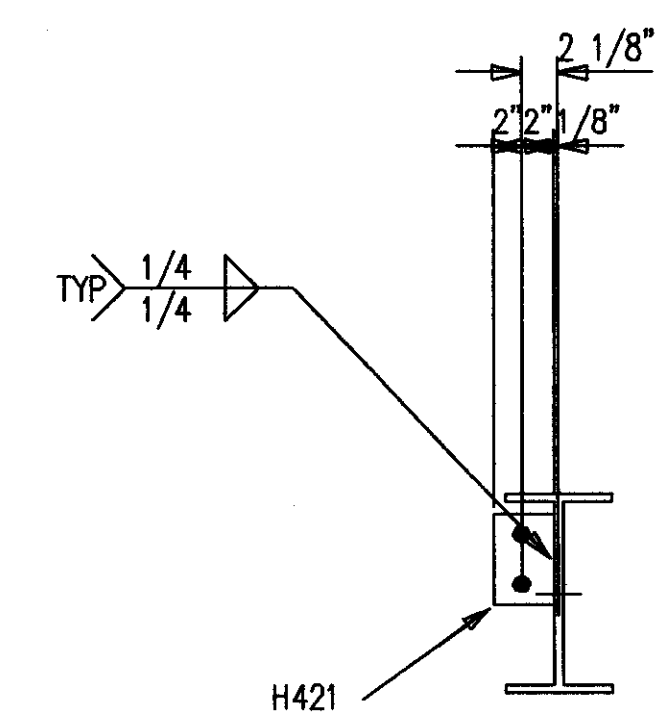
- SHOP NOTES:
1. PRIMER ONLY 3" AROUND ALL HOLES UNLESS NOTED PF(PRIMER/FINISH).
  2. P=PRIMER ONLY AS DIMENSIONED.
  3. NP=NO PAINT IN 3" WIDE STRIP, CENTER OF BEAM, FULL LENGTH.

**AS BUILT**  
NAME: *Map Hughes*  
DATE: **AUG 16 1999**

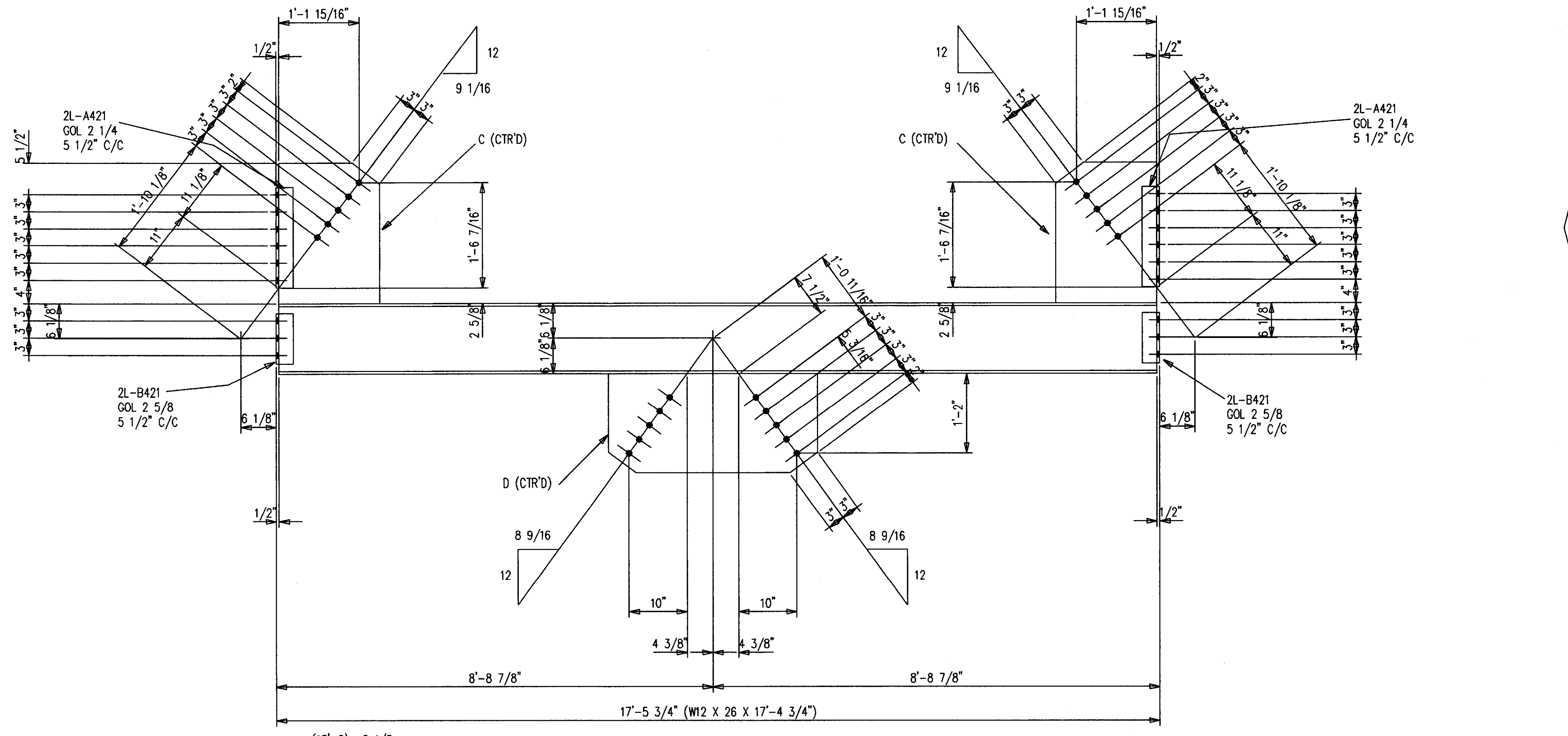
NO.	DATE	REVISION DESCRIPTION	DRW	CHKD	
CONTRACTOR TO CHECK ALL DIMENSIONS AT JOB AS MID STATES STEEL PRODUCTS CO. ASSUMES NO RESPONSIBILITY FOR GENERAL BUILDING DIMENSIONS. NO BACK CHARGES PERTAINING TO THIS WORK WILL BE ACCEPTED WITHOUT PRIOR AUTHORIZATION BY MID STATES STEEL PRODUCTS CO.					
MATERIAL U/A	A36	DRAWN BY	JDL	JOB NAME	COMMONWEALTH STADIUM EXPANSION
OPEN HOLES U/A	1 1/16"	DATE	9/98	JOB LOCATION	UNIVERSITY OF KENTUCKY
WELD ELECTRODE U/A	E70XX	CHECKED BY	GCL	CONTRACTOR	TURNER CONSTRUCTION COMPANY
SHOP PAINT	SEE SPECS	DATE	9/98	ENGINEER	WALTER P. MOORE AND ASSOCIATES, INC.
DRAWING TITLE: BEAMS					
DATE	APP	SHOP	FIELD		
				ORDER NO.	P3524
P.O. BOX 11128-2044 BUCK LANE LEXINGTON, KENTUCKY 40511 PHONE: 606-233-4344 FAX: 606-233-4346				SHEET NO.	426
FABRICATORS OF STRUCTURAL AND MISCELLANEOUS STEEL					



ONE-BEAM 427B1 R [AS SHOWN]  
 ONE-BEAM 427B1 L [OPP HAND]  
 72-A490 1 X 2 3/4 F1644H



SECTION A



2-BEAMS 427B2  
 72-A490 1 X 2 3/4 F1644H

BILL OF MATERIAL

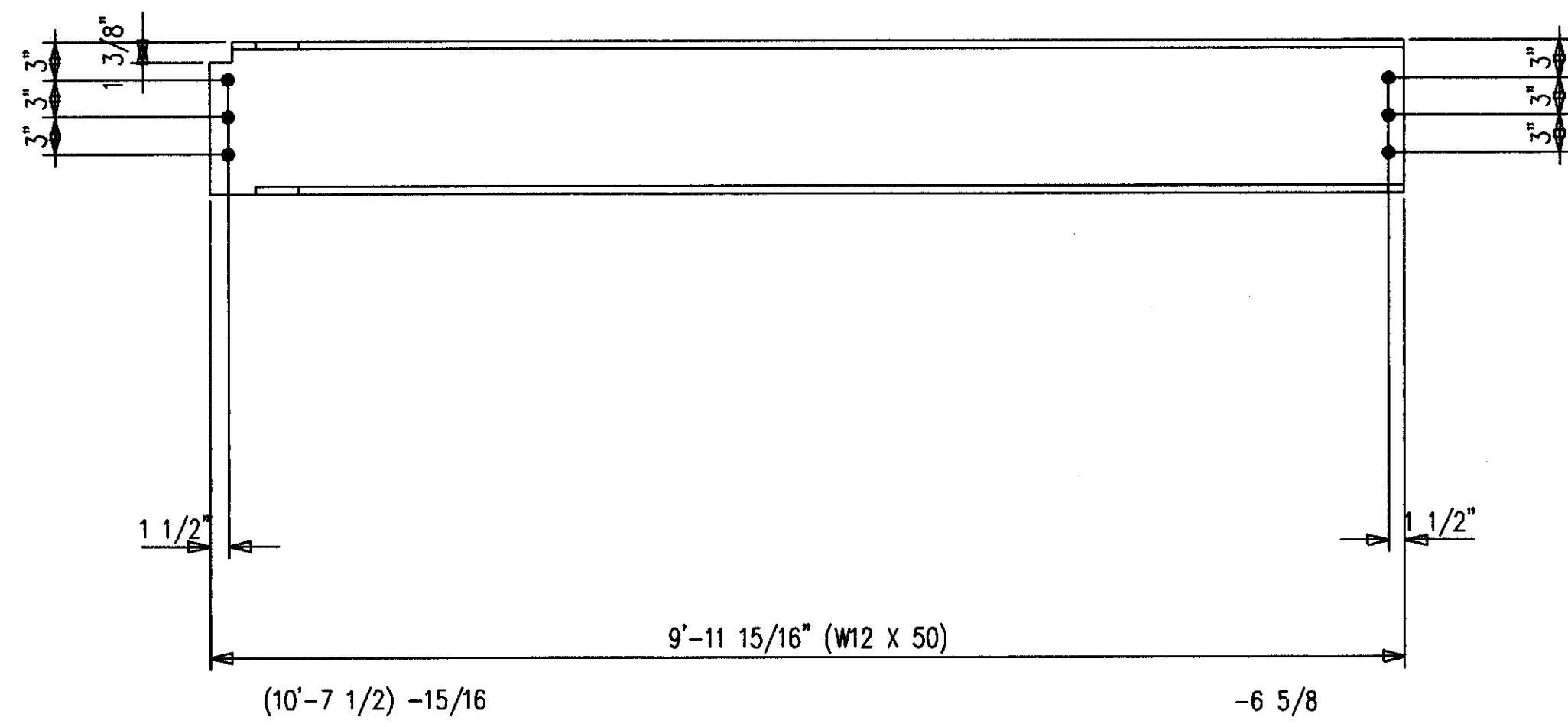
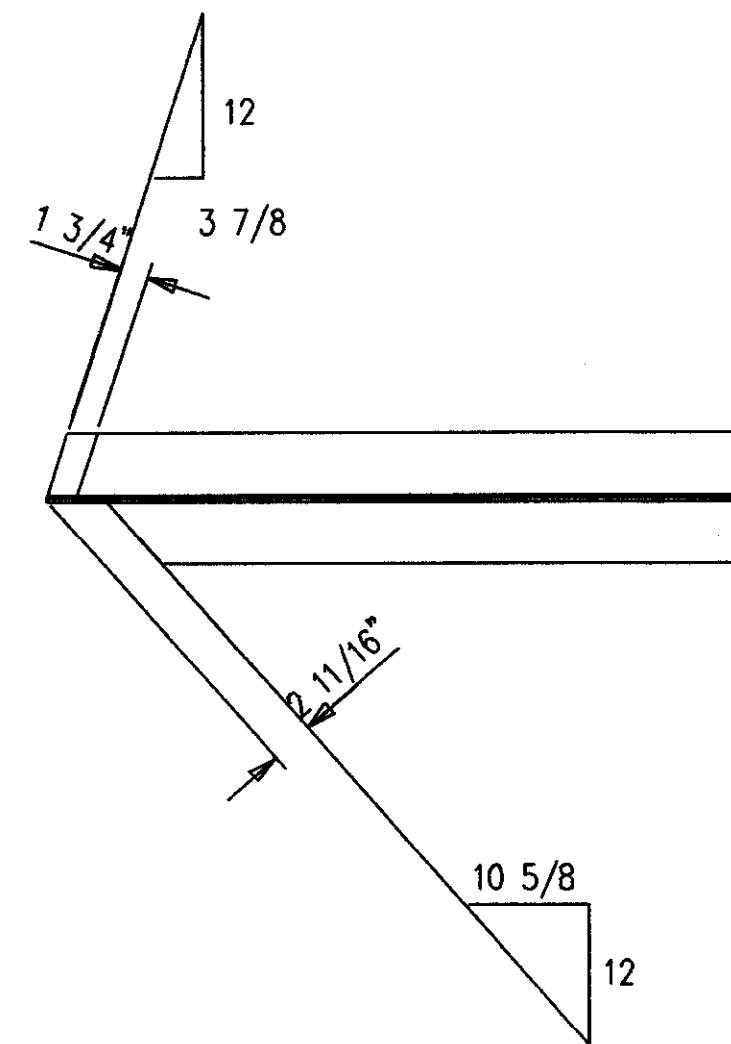
MARK	QUAN.	DESCRIPTION	LENGTH		REMARKS
			FT.	IN.	
427B1 L	ONE	BEAM			
427B1	1	W12X26 A572	17	10-3/4	
A421	4	L4X3X1/2	1	6	P
A427	2	PL1X17-7/16	2	1-1/8	P
B421	4	L4X3X1/2	0	9	P
B427	1	PL1X14-1/2	4	9-1/8	P
H421	1	FB1/2X4	0	6	P
427B1 R	ONE	BEAM			
427B1	1	W12X26 A572	17	10-3/4	
A421	4	L4X3X1/2	1	6	P
A427	2	PL1X17-7/16	2	1-1/8	P
B421	4	L4X3X1/2	0	9	P
B427	1	PL1X14-1/2	4	9-1/8	P
H421	1	FB1/2X4	0	6	P
427B2	2	BEAMS			
427B2	2	W12X26 A572	17	4-3/4	
A421	8	L4X3X1/2	1	6	P
B421	8	L4X3X1/2	0	9	P
C427	4	PL1X17-9/16	2	0-1/2	P
D427	2	PL1X17-3/8	3	0	P
		FIELD BOLTS			
F1644H	146	A490 1X2-3/4			
F16L1	146	A LOAD IND 1			

SHOP NOTES:  
 1. PRIMER ONLY 3" AROUND ALL HOLES UNLESS NOTED PF(PRIMER/FINISH).  
 2. P=PRIMER ONLY AS DIMENSIONED.  
 3. NP=NO PAINT IN 3" WIDE STRIP, CENTER OF BEAM, FULL LENGTH.

AS BUILT  
 NAME: *Map Hughes*  
 DATE: AUG 16 1999

NO.	DATE	REVISION DESCRIPTION	OWN	CHKD	
CONTRACTOR TO CHECK ALL DIMENSIONS AT JOB AS MID STATES STEEL PRODUCTS CO. ASSUMES NO RESPONSIBILITY FOR GENERAL BUILDING DIMENSIONS. NO BACK CHARGES PERTAINING TO THIS WORK WILL BE ACCEPTED WITHOUT PRIOR AUTHORIZATION BY MID STATES STEEL PRODUCTS CO.					
MATERIAL U/N	A36	DRAWN BY	JDL	JOB NAME	COMMONWEALTH STADIUM EXPANSION
OPEN HOLES U/N	1 1/16"	DATE	9/98	JOB LOCATION	UNIVERSITY OF KENTUCKY
WELD ELECTRODE U/N	E70XX	CHECKED BY	GCL	CONTRACTOR	TURNER CONSTRUCTION COMPANY
SHOP PAINT	SEE SPECS	DATE	9/98	ENGINEER	WALTER P. MOORE AND ASSOCIATES, INC.
DRAWING TITLE	BEAMS				
DATE	APP	SHOP	FIELD	ORDER NO.	P3524
MID STATES STEEL PRODUCTS CO. FABRICATORS OF STRUCTURAL AND MISCELLANEOUS STEEL				SHEET NO.	427
P.O. BOX 11128-2044 BUCK LANE LEXINGTON, KENTUCKY 40511 PHONE: 606-233-4544 FAX: 606-233-4346					





ONE-BEAM 428B1 R [AS SHOWN]  
 ONE-BEAM 428B1 L [OPP HAND]  
 12-A490 1 X 2 1/2 F1640H

SHOP NOTES:  
 1. PRIMER ONLY 3" AROUND ALL HOLES UNLESS NOTED PF(PRIMER/FINISH).  
 2. P=PRIMER ONLY AS DIMENSIONED.  
 3. NP=NO PAINT IN 3" WIDE STRIP, CENTER OF BEAM, FULL LENGTH.

### BILL OF MATERIAL

MARK	QUAN.	DESCRIPTION	LENGTH		REMARKS
			FT.	IN.	
428B1 L	ONE	BEAM			
428B1	1	W12X50 A572	9	11-15/16	P/BC1E
428B1 R	ONE	BEAM			
428B1	1	W12X50 A572	9	11-15/16	P/BC1E
FIELD BOLTS					
F1640H	13	A490 1X2-1/2			
F16L1	13	A LOAD IND 1			

**AS BUILT**  
 NAME: *Max Hughes*  
 DATE: **AUG 16 1999**

ALL RE-ENTRANT CUTS MIN. 1/2" RAD. U/N	WELD ELECTRODE: E70XX	CHECKED BY: <i>GCL</i>	CONTRACTOR: TURNER CONSTRUCTION COMPANY
ALL A325 BOLTS w/ONE HARD WASH. AND HVY HEX NUT	SHIP PAINT: SEE SPECS	DATE: 9/98	ENGINEER: WALTER P. MOORE AND ASSOCIATES, INC.

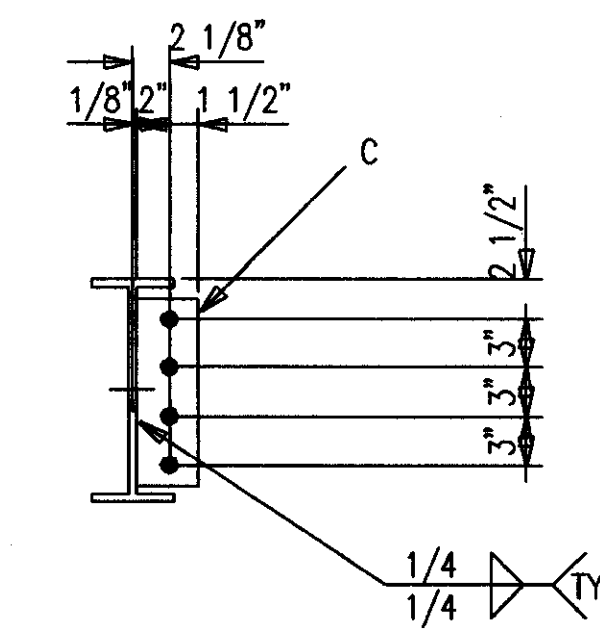
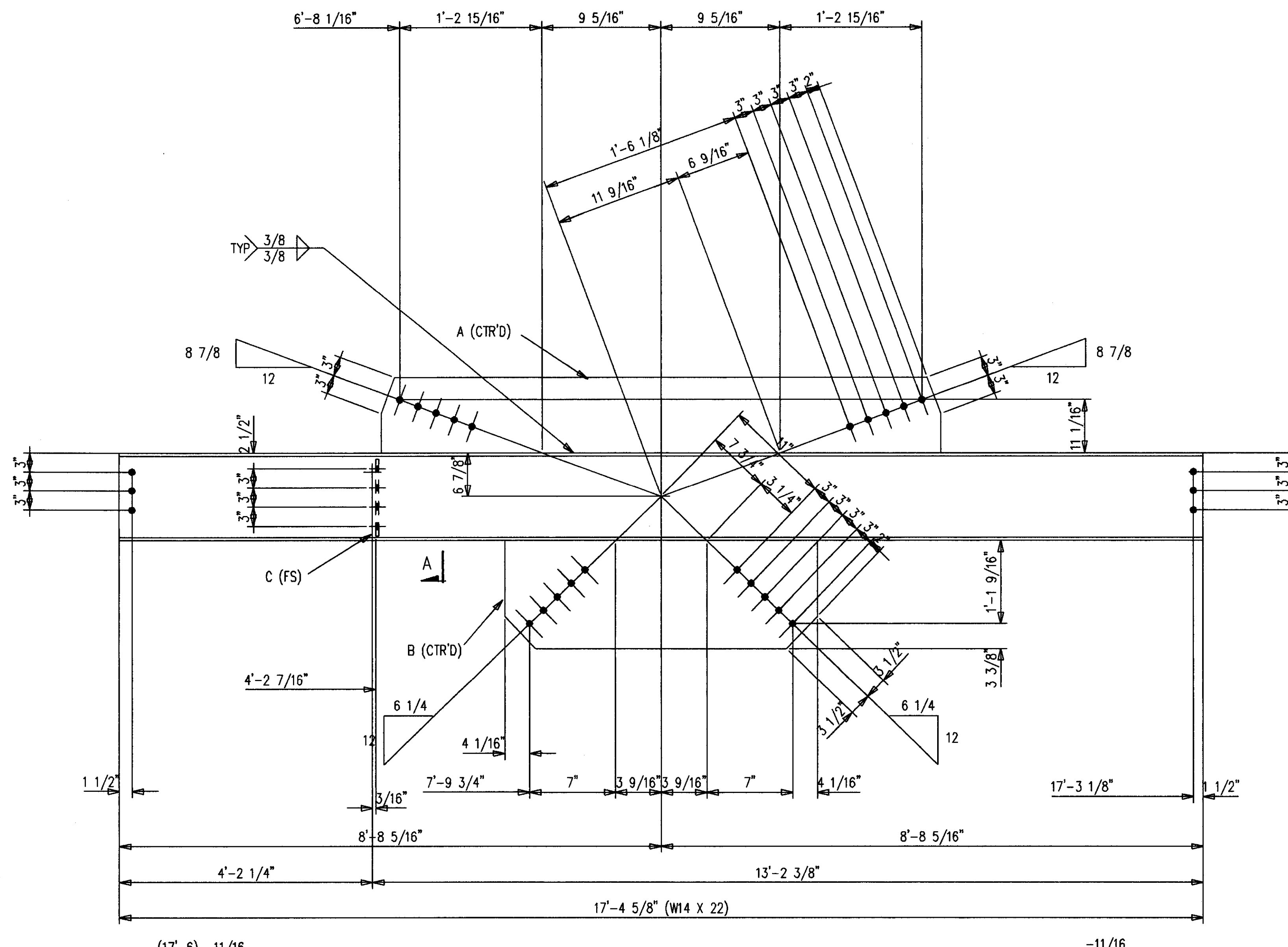
DATE	APP	SHOP	FIELD

CONTRACTOR TO CHECK ALL DIMENSIONS AT JOB AS MID STATES STEEL PRODUCTS CO. ASSUMES NO RESPONSIBILITY FOR GENERAL BUILDING DIMENSIONS. NO BACK CHARGES PERTAINING TO THIS WORK WILL BE ACCEPTED WITHOUT PRIOR AUTHORIZATION BY MID STATES STEEL PRODUCTS CO.			DWG. L. ORG.
MATERIAL U/N: A36	DRAWN BY: <i>JDL</i>	JOB NAME: COMMONWEALTH STADIUM EXPANSION	
OPEN HOLES U/N: 1 1/16ø	DATE: 9/98	JOB LOCATION: UNIVERSITY OF KENTUCKY	
DRAWING TITLE: BEAMS			
P.O. BOX 11128-2044 BUCK LANE LEXINGTON, KENTUCKY 40511 PHONE: 606-233-4344 FAX: 606-233-4346			ORDER NO.: P3524 SHEET NO.: 428

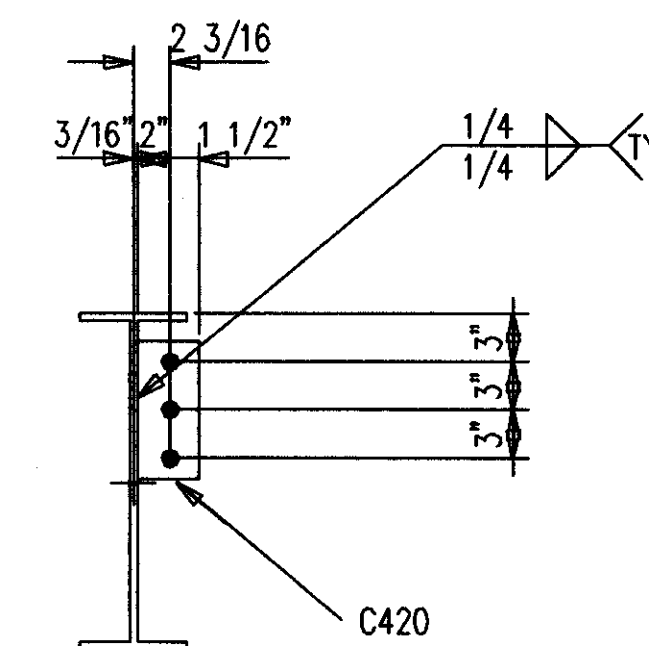
Cab # 206  
 Sheet # 428  
 Document # 34803

### BILL OF MATERIAL

MARK	QUAN.	DESCRIPTION	LENGTH		REMARKS
			FT.	IN.	
429B1 L	ONE	BEAM			
429B1	1	W14X22 A572	17	4-5/8	P
A429	1	PL1X14-11/16	4	7-3/8	P
B429	1	PL1X16-15/16	2	5-1/4	P
C429	1	PL1/2X3-1/2	1	0	P
429B1 R	ONE	BEAM			
429B1	1	W14X22 A572	17	4-5/8	P
A429	1	PL1X14-11/16	4	7-3/8	P
B429	1	PL1X16-15/16	2	5-1/4	P
C429	1	PL1/2X3-1/2	1	0	P
429B2 L	ONE	BEAM			
429B2	1	W21X50 A572	37	4-3/4	P
C420	7	FB1/2X3-1/2	0	9	P
429B2 R	ONE	BEAM			
429B2	1	W21X50 A572	37	4-3/4	P
C420	7	FB1/2X3-1/2	0	9	P
		FIELD BOLTS			
F1636H	29	A490 1X2-1/4			
F16L1	29	A LOAD IND 1			

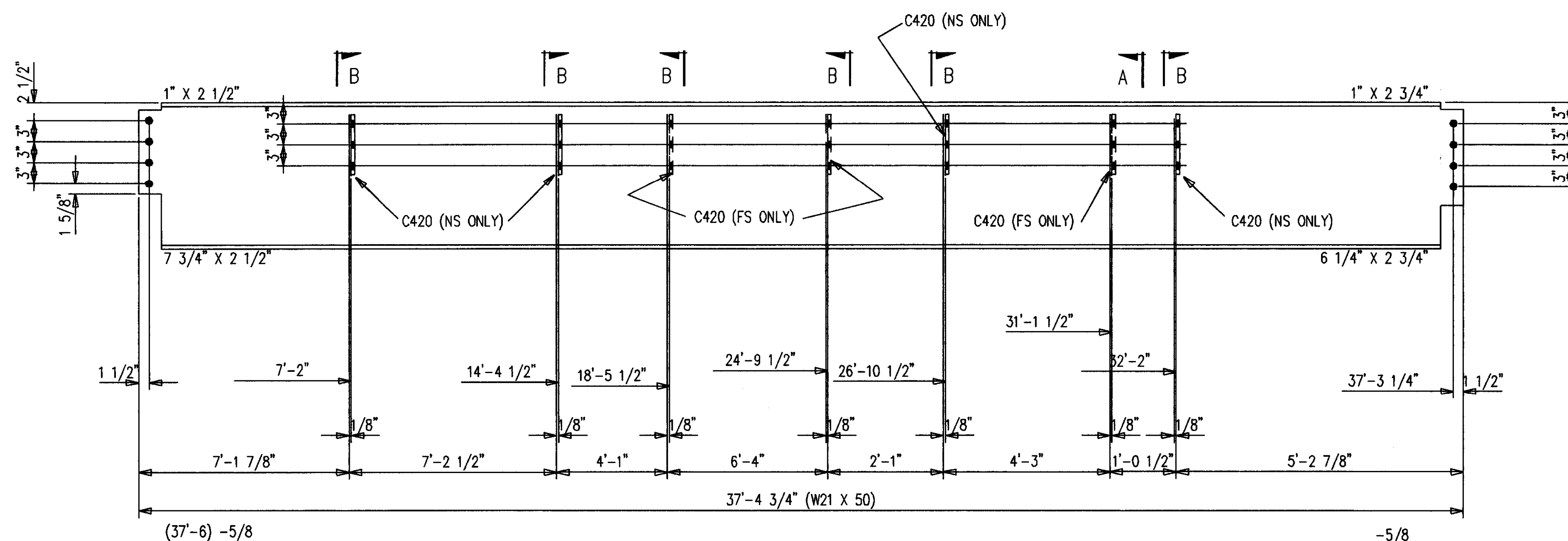


SECTION A



SECTION B

ONE-BEAM 429B1 R [AS SHOWN]  
ONE-BEAM 429B1 L [OPP HAND]  
12-A490 1 X 2 1/4 F1636H



ONE-BEAM 429B2 R [AS SHOWN]  
ONE-BEAM 429B2 L [OPP HAND]  
16-A490 1 X 2 1/4 F1636H

**SHOP NOTES:**  
1. PRIMER ONLY 3" AROUND ALL HOLES UNLESS NOTED PF(PRIMER/FINISH).  
2. P=PRIMER ONLY AS DIMENSIONED.  
3. NP=NO PAINT IN 3" WIDE STRIP, CENTER OF BEAM, FULL LENGTH.

**AS BUILT**  
NAME: *Map Hughes*  
DATE: **AUG 16 1999**

DATE	APP	SHOP	FIELD

NO.	DATE	REVISION DESCRIPTION	BY	CHKD

CONTRACTOR TO CHECK ALL DIMENSIONS AT JOB AS MID STATES STEEL PRODUCTS CO. ASSUMES NO RESPONSIBILITY FOR GENERAL BUILDING DIMENSIONS. NO BACK CHARGES PERTAINING TO THIS WORK WILL BE ACCEPTED WITHOUT PRIOR AUTHORIZATION BY MID STATES STEEL PRODUCTS CO.

MATERIAL	A36	DRAWN BY	JDL	JOB NAME	COMMONWEALTH STADIUM EXPANSION
OPEN HOLES	1 1/16"	DATE	9/98	JOB LOCATION	UNIVERSITY OF KENTUCKY
WELD ELECTRODE	E70XX	CHECKED BY	CCL	CONTRACTOR	TURNER CONSTRUCTION COMPANY
SHIP PAINT	SEE SPECS	DATE	9/98	ENGINEER	WALTER P. MOORE AND ASSOCIATES, INC.

DRAWING TITLE: BEAMS

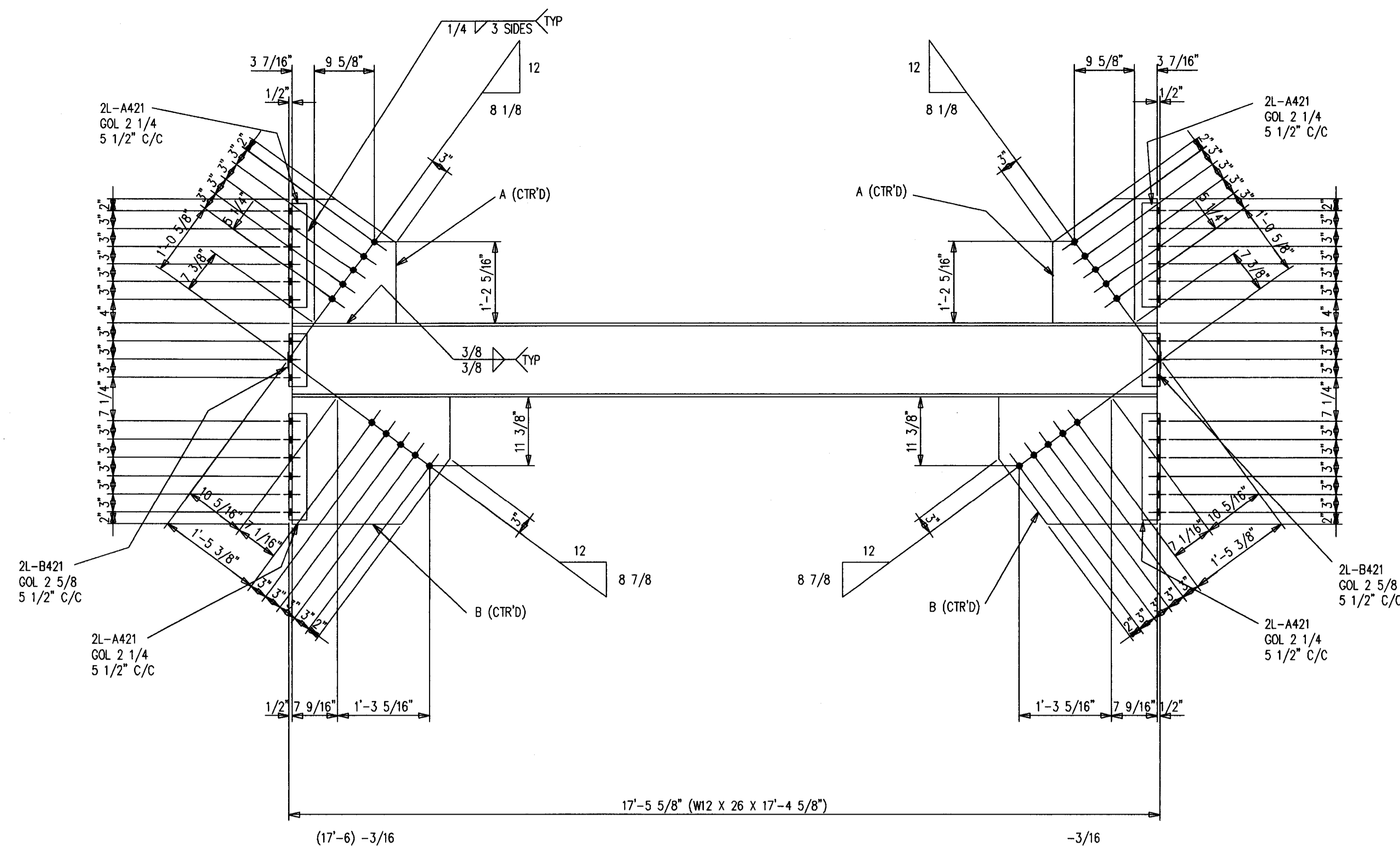
P.O. BOX 11128-2044 BUCK LANE LEXINGTON, KENTUCKY 40511 PHONE: 606-233-4344 FAX: 606-233-4346	ORDER NO. <b>P3524</b> SHEET NO. 429
---	---

FABRICATORS OF STRUCTURAL AND MISCELLANEOUS STEEL

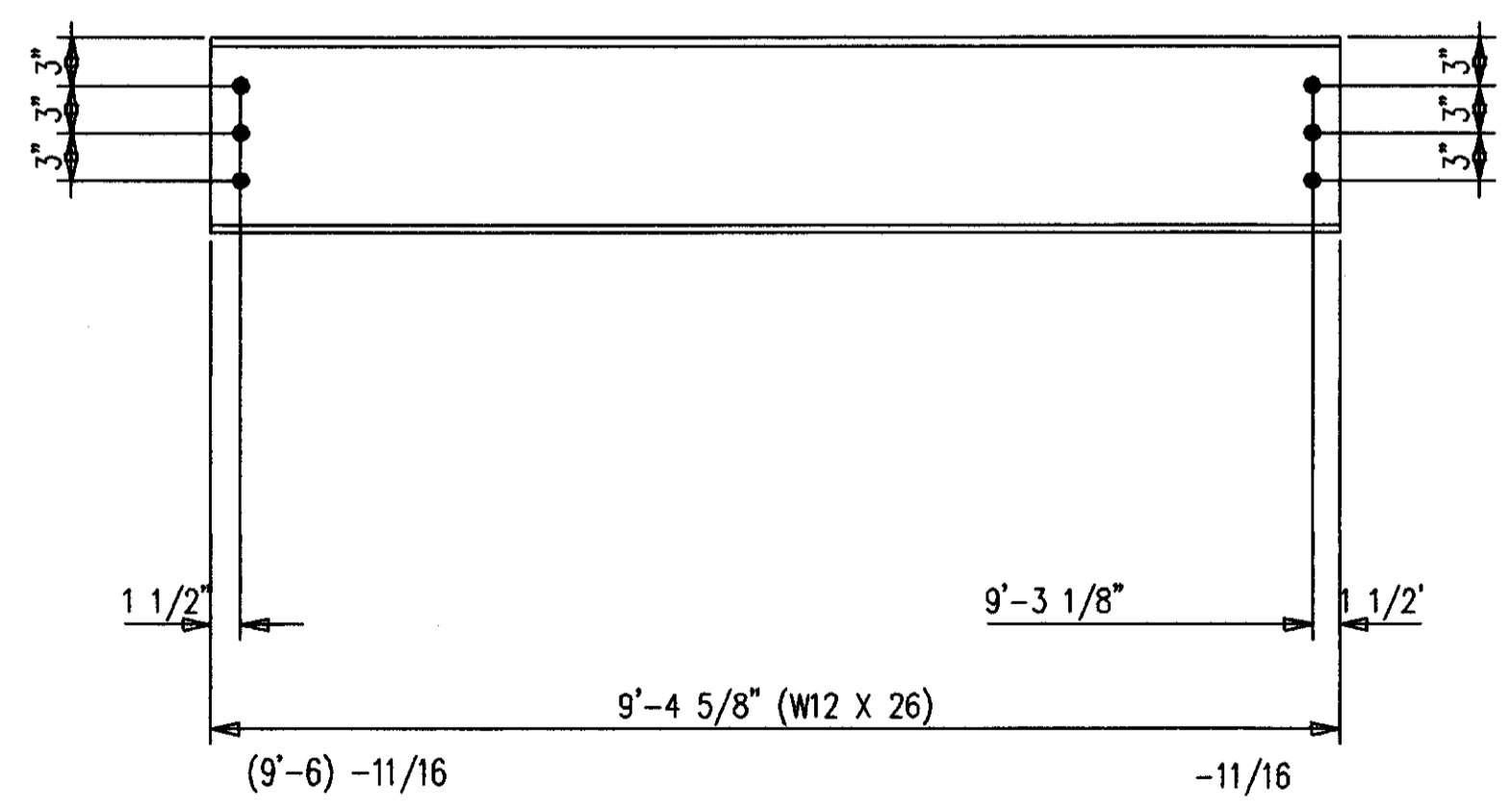
Document # 34804  
Cab # slot A-2

**BILL OF MATERIAL**

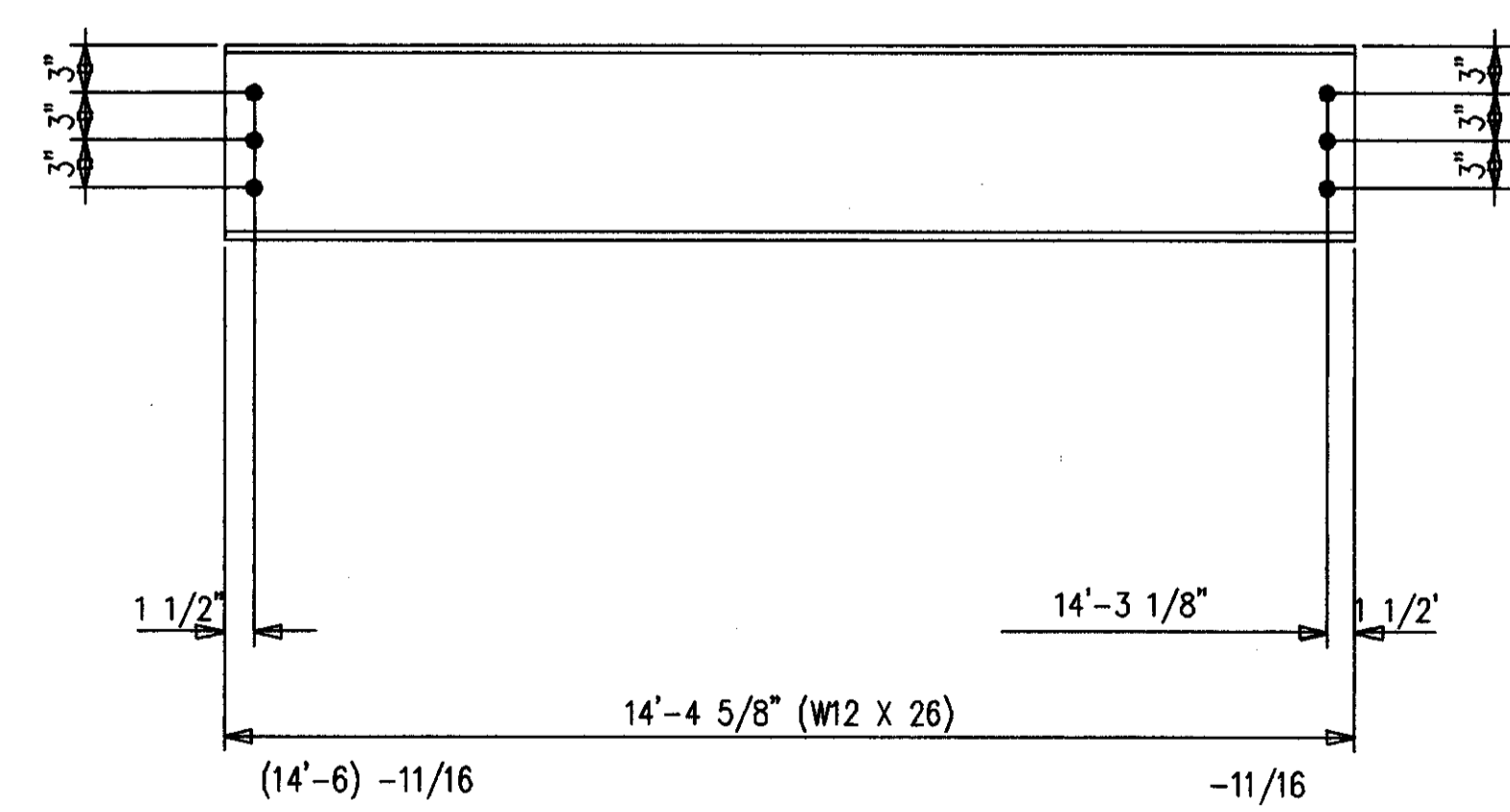
MARK	QUAN.	DESCRIPTION	LENGTH		REMARKS
			FT.	IN.	
430B1	2	BEAMS			
430B1	2	W12X26 A572	17	4-5/8	
A421	16	L4X3X1/2	1	6	P
A430	4	PL 1X16-11/16	1	9	P
B421	8	L4X3X1/2	0	9	P
B430	4	PL 1X21	2	2-5/16	P
430B2	14	BEAMS			
430B2	14	W12X26 A572	9	4-5/8	P
430B3	2	BEAMS			
430B3	2	W12X26 A572	14	4-5/8	P
		FIELD BOLTS			
F1636H	97	A490 1X2-1/4			
F1644H	122	A490 1X2-3/4			
F16LI	220	A LOAD IND 1			



2-BEAMS 430B1  
120-A490 1 X 2 1/4 F1644H



14-BEAMS 430B2  
84-A490 1 X 2 1/4 F1636H



2-BEAMS 430B3  
12-A490 1 X 2 1/4 F1636H

SHOP NOTES:  
 1. PRIMER ONLY 3" AROUND ALL HOLES UNLESS NOTED PF(PRIMER/FINISH).  
 2. P=PRIMER ONLY AS DIMENSIONED.  
 3. NP=NO PAINT IN 3" WIDE STRIP, CENTER OF BEAM, FULL LENGTH.

**AS BUILT**  
 NAME: *Map Hughes*  
 DATE: **AUG 16 1999**

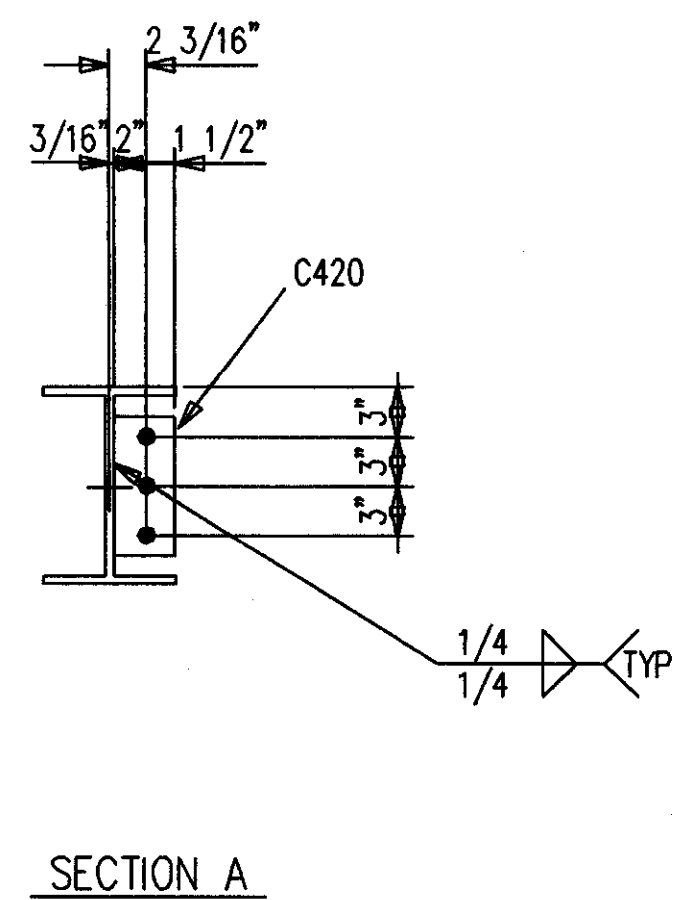
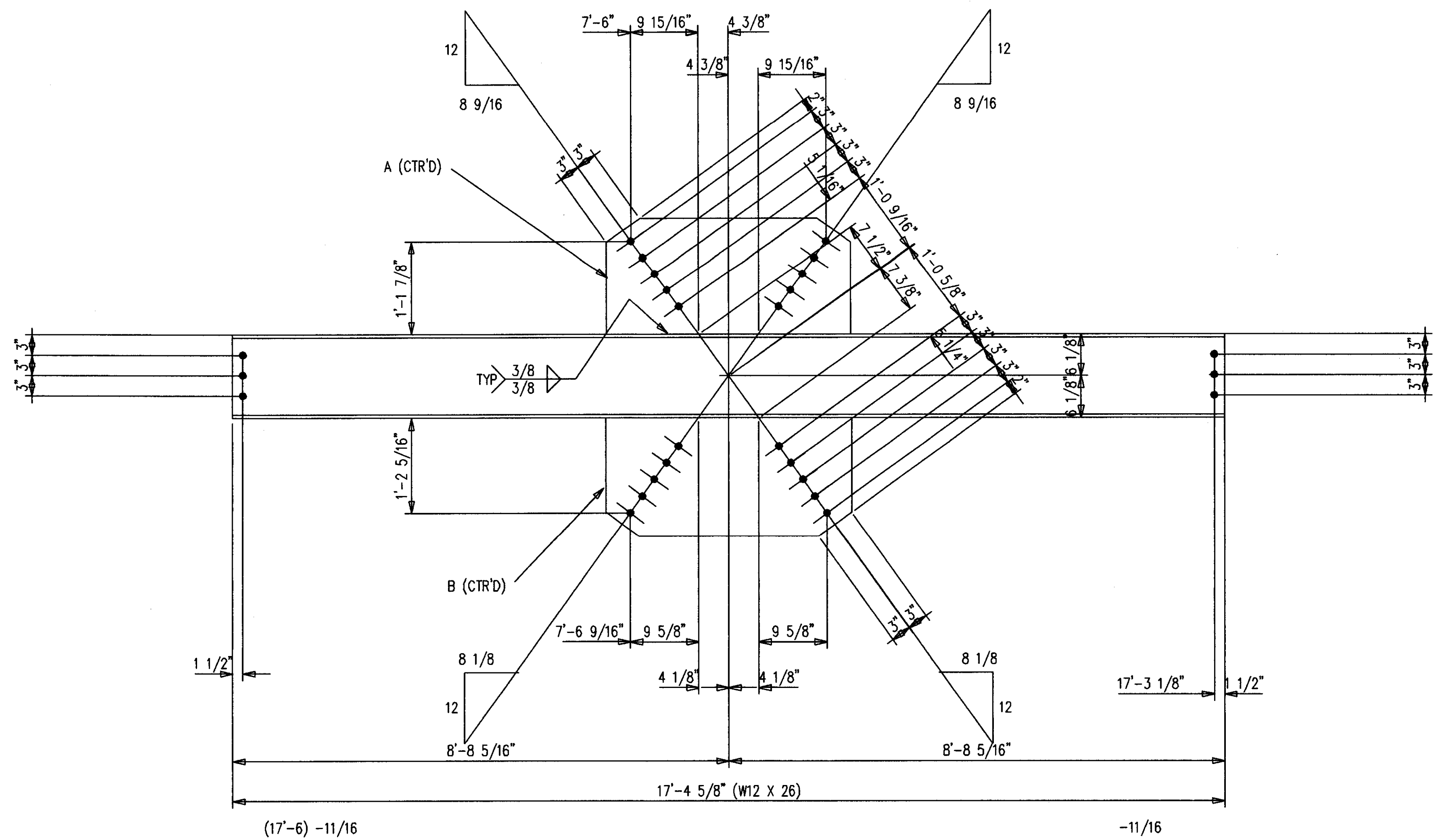
ALL RE-ENTRANT CUTS MIN. 1/2" RAD. U/N	WELD ELECTRODE U/N E70XX	CHECKED BY GCL	DATE 9/98	CONTRACTOR TURNER CONSTRUCTION COMPANY
ALL A325 BOLTS w/ONE HARD WASH. AND HVY HEX NUT	SHOP PAINT SEE SPECS	DATE 9/98	ENGINEER WALTER P. MOORE AND ASSOCIATES, INC.	
ALL A307 BOLTS w/HEX NUT	DRAWING TITLE BEAMS			

MATERIAL U/N A36  
 OPEN HOLES U/N 1 1/16φ  
 DRAWN BY JDL  
 DATE 9/98  
 JOB NAME COMMONWEALTH STADIUM EXPANSION  
 JOB LOCATION UNIVERSITY OF KENTUCKY  
 CONTRACTOR TURNER CONSTRUCTION COMPANY  
 ENGINEER WALTER P. MOORE AND ASSOCIATES, INC.

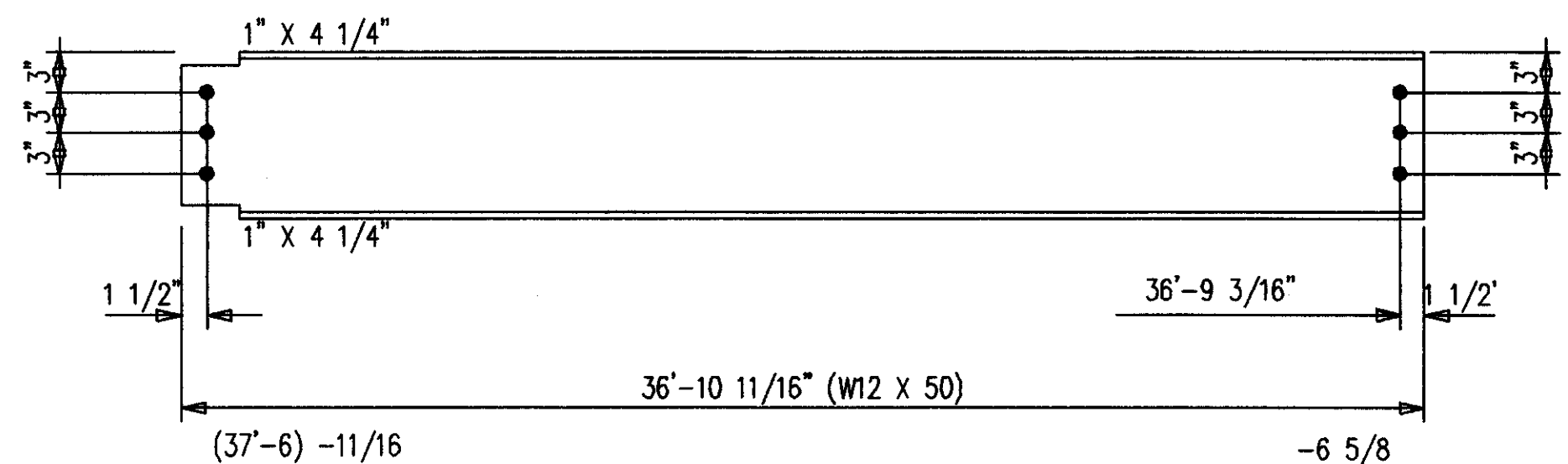
**MID STATES STEEL PRODUCTS CO.**  
 P.O. BOX 11128-2044 BUCK LANE  
 LEXINGTON, KENTUCKY 40511  
 PHONE: 606-233-4344 FAX: 606-233-4346  
 FABRICATORS OF STRUCTURAL AND MISCELLANEOUS STEEL

ORDER NO. **P3524**  
 SHEET NO. **430**

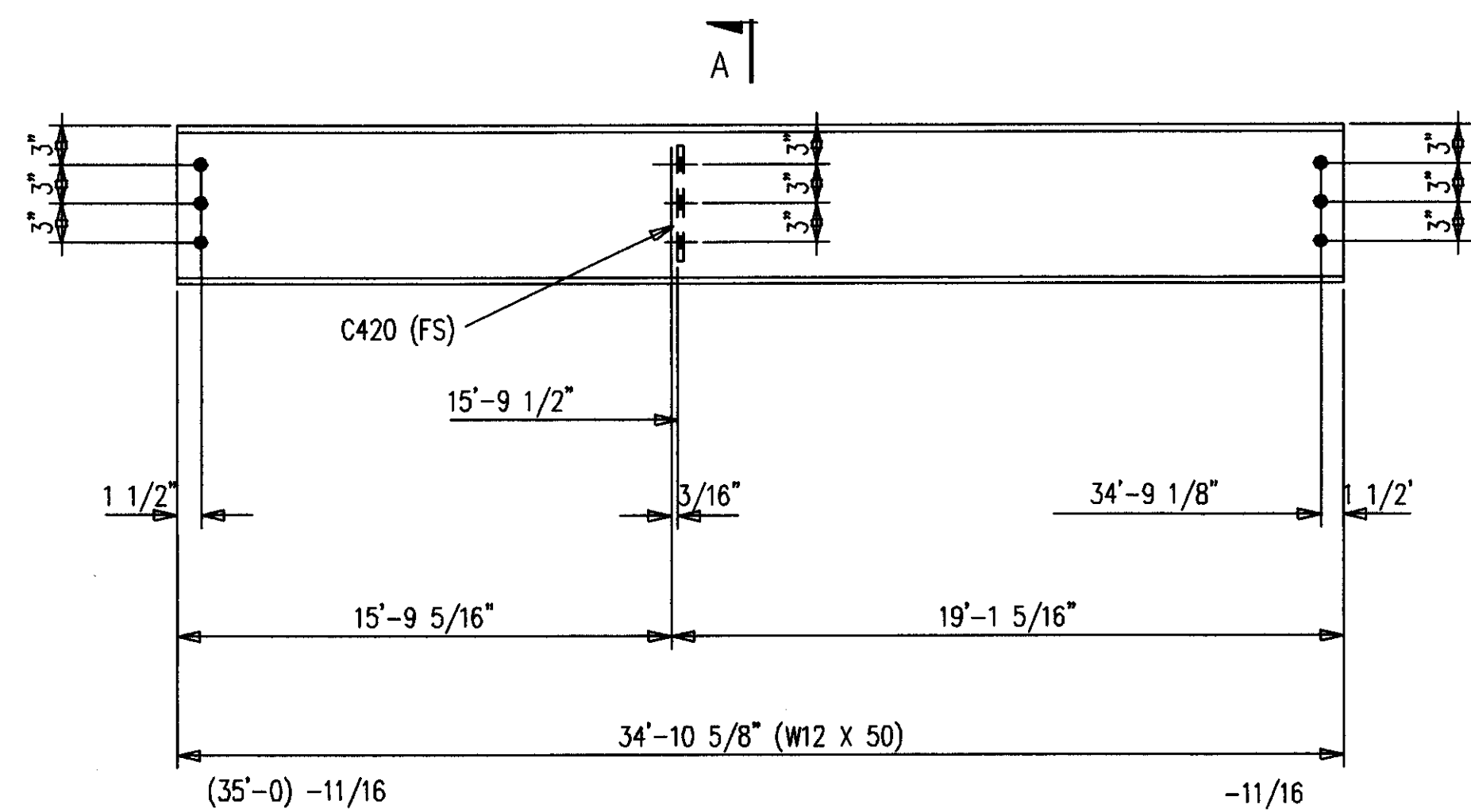
Document # 34805  
 Cab # 510t  
 206 A-2



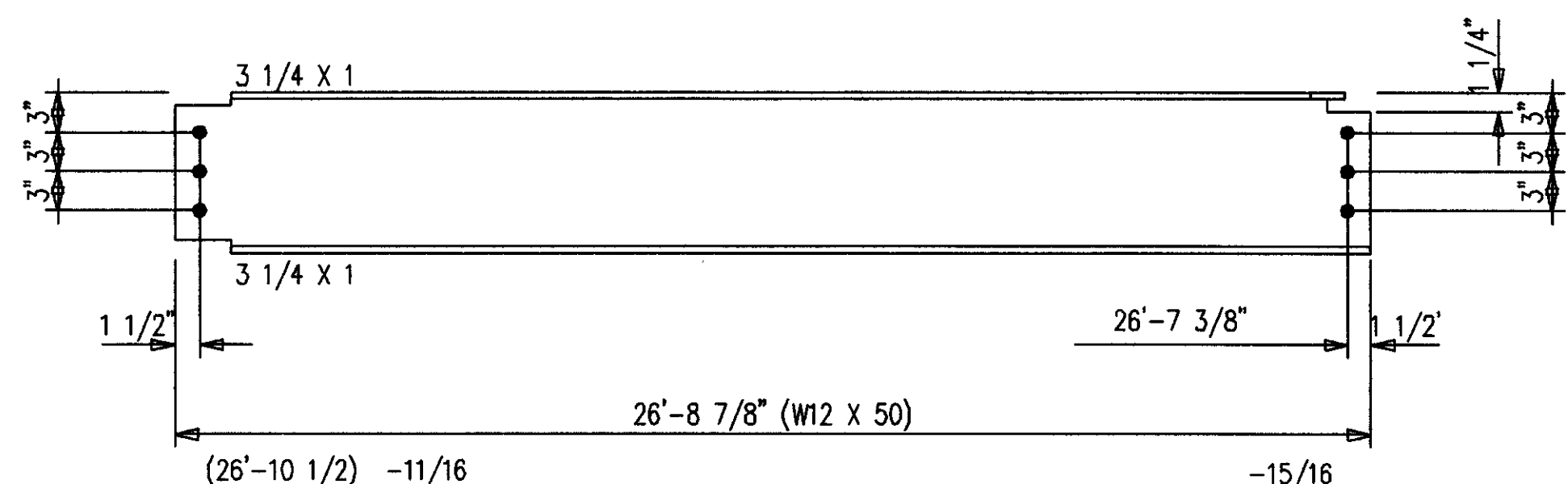
2-BEAMS 431B1  
12-A490 1 X 2 1/4 F1636H



2-BEAMS 431B3  
12-A490 1 X 2 1/4 F1636H



2-BEAMS 431B2 R [AS SHOWN]  
2-BEAMS 431B2 L [OPP HAND]  
24-A490 1 X 2 1/4 F1636H



ONE-BEAM 431B4 R [AS SHOWN]  
ONE-BEAM 431B4 L [OPP HAND]  
12-A490 1 X 2 1/4 F1636H

BILL OF MATERIAL

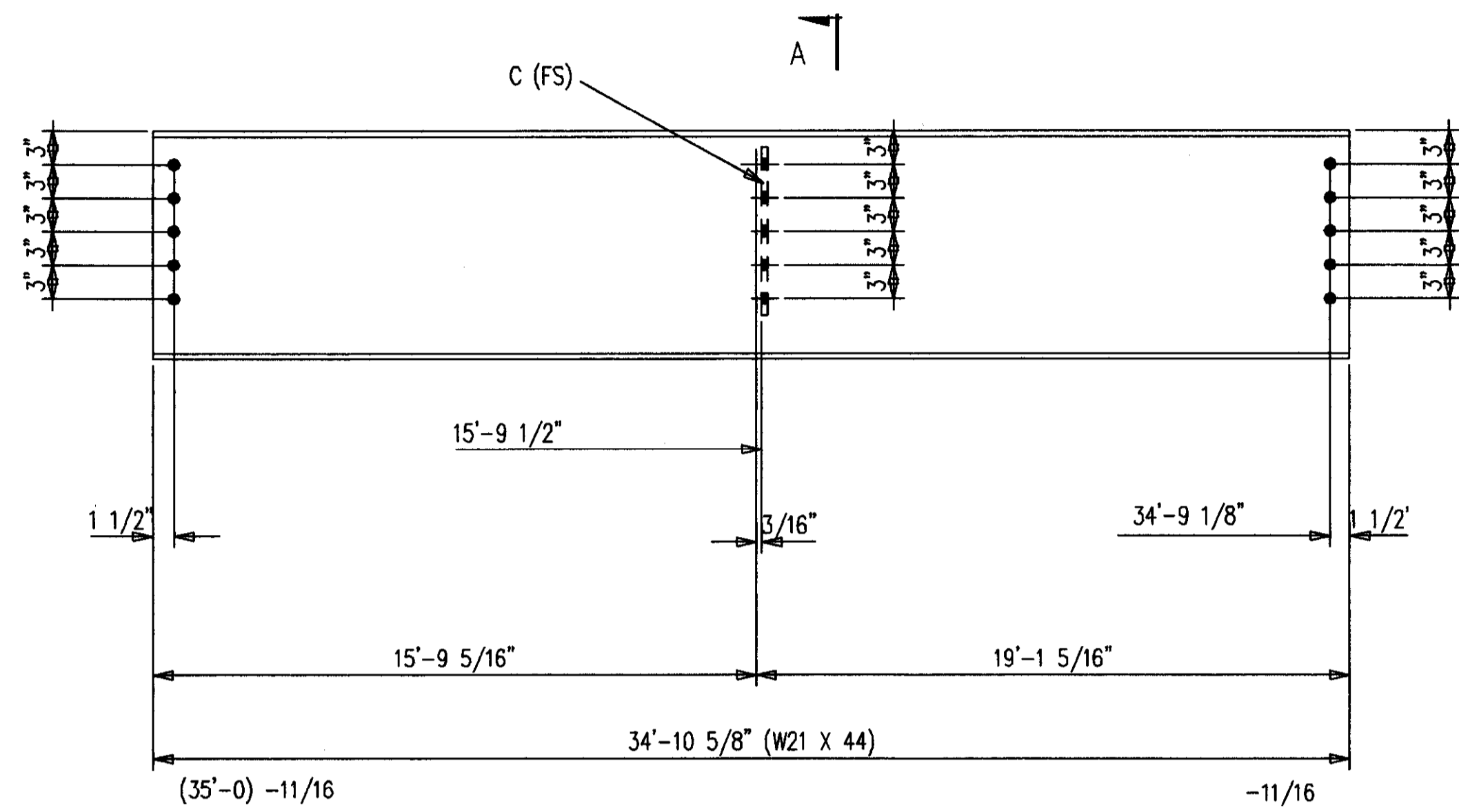
MARK	QUAN.	DESCRIPTION	LENGTH		REMARKS
			FT.	IN.	
431B1	2	BEAMS			
431B1	2	W12X26 A572	17	4-5/8	P
A431	2	PL1X17-1/4	2	11-3/4	P
B431	2	PL1X17-11/16	2	10-3/4	P
431B2 L	2	BEAMS			
431B2	2	W12X50 A572	34	10-5/8	P
C420	2	FB1/2X3-1/2	0	9	P
431B2 R	2	BEAMS			
431B2	2	W12X50 A572	34	10-5/8	P
C420	2	FB1/2X3-1/2	0	9	P
431B3	2	BEAMS			
431B3	2	W12X50 A572	36	10-11/16	P
431B4 L	ONE	BEAM			
431B4	1	W12X50 A572	26	8-7/8	BC1E/P
431B4 R	ONE	BEAM			
431B4	1	W12X50 A572	26	8-7/8	BC1E/P
		FIELD BOLTS			
F1636A	61	A325 1X2-1/4			
F16LI	61	A LOAD IND 1			

SHOP NOTES:  
1. PRIMER ONLY 3" AROUND ALL HOLES UNLESS NOTED PF(PRIMER/FINISH).  
2. P=PRIMER ONLY AS DIMENSIONED.  
3. NP=NO PAINT IN 3" WIDE STRIP, CENTER OF BEAM, FULL LENGTH.

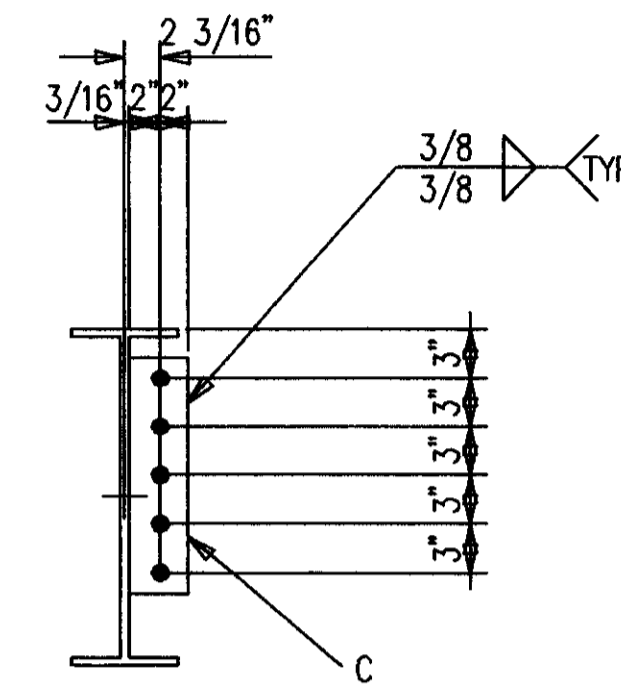
AS BUILT  
NAME: *Max Hughes*  
DATE: AUG 16 1999

DATE	APP	SHOP	FIELD

NO. DATE REVISION DESCRIPTION		DRAW. CDD
CONTRACTOR TO CHECK ALL DIMENSIONS AT JOB AS MID STATES STEEL PRODUCTS CO. ASSUMES NO RESPONSIBILITY FOR GENERAL BUILDING DIMENSIONS. NO BACK CHARGES PERTAINING TO THIS WORK WILL BE ACCEPTED WITHOUT PRIOR AUTHORIZATION BY MID STATES STEEL PRODUCTS CO.		
MATERIAL U/W A36	DRAWN BY JDL	JOB NAME COMMONWEALTH STADIUM EXPANSION
OPEN HOLES U/W 1 1/16	DATE 9/98	JOB LOCATION UNIVERSITY OF KENTUCKY
WELD ELECTRODE U/W E70XX	CHECKED BY GCL	CONTRACTOR TURNER CONSTRUCTION COMPANY
SHOP PAINT SEE SPECS	DATE 9/98	ENGINEER WALTER P. MOORE AND ASSOCIATES, INC.
DRAWING TITLE BEAMS		ORDER NO. P3524
		SHEET NO. 431
P.O. BOX 11128-2044 BUCK LANE LEXINGTON, KENTUCKY 40511 PHONE: 606-233-4344 FAX: 606-233-4346 FABRICATORS OF STRUCTURAL AND MISCELLANEOUS STEEL		



ONE-BEAM 432B3 R [AS SHOWN]  
 ONE-BEAM 432B3 L [OPP HAND]  
 20-A490 1 X 2 1/2 F1640H



SECTION A

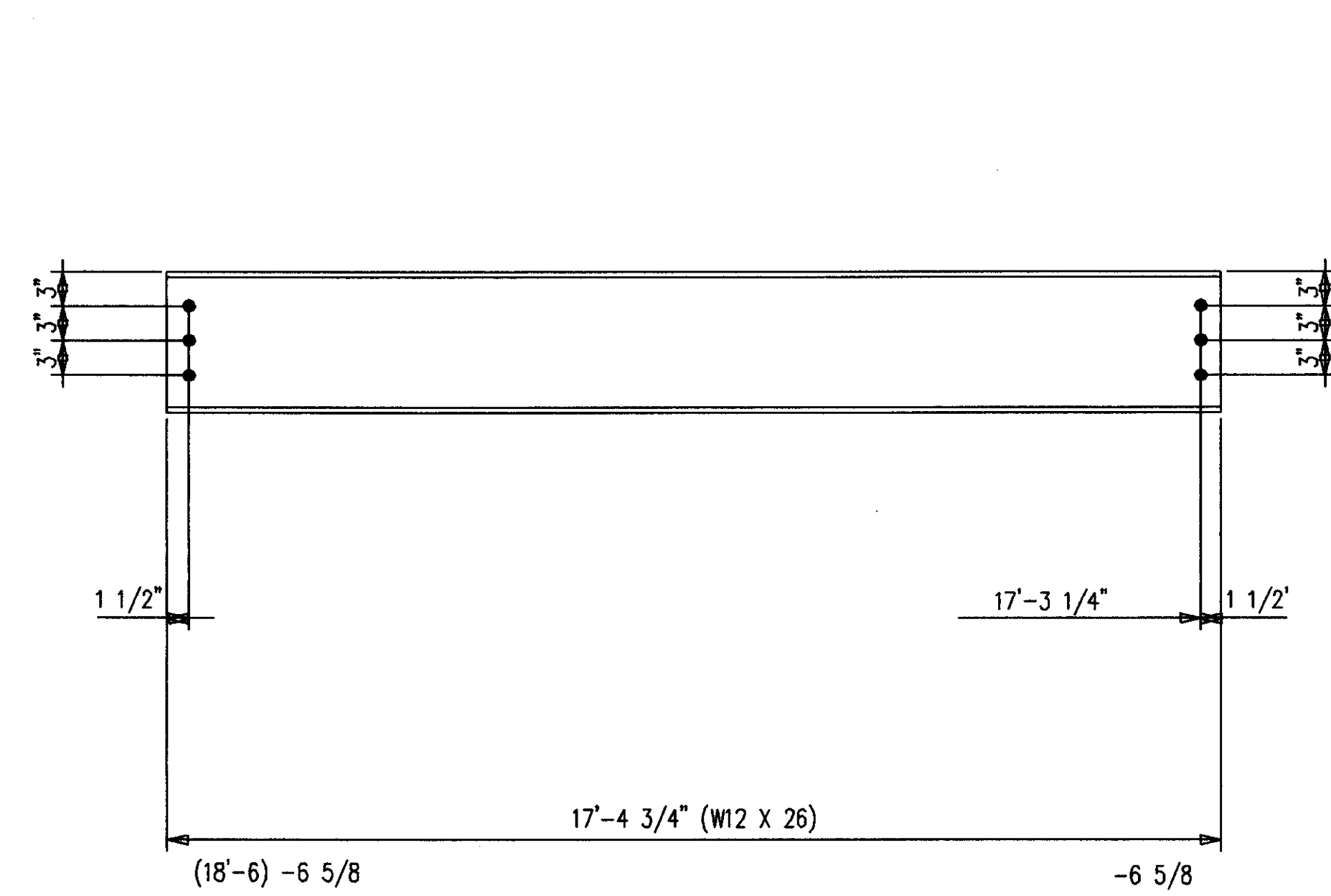
SHOP NOTES:  
 1. PRIMER ONLY 3" AROUND ALL HOLES UNLESS NOTED PF(PRIMER/FINISH).  
 2. P=PRIMER ONLY AS DIMENSIONED.  
 3. NP=NO PAINT IN 3" WIDE STRIP, CENTER OF BEAM, FULL LENGTH.

BILL OF MATERIAL

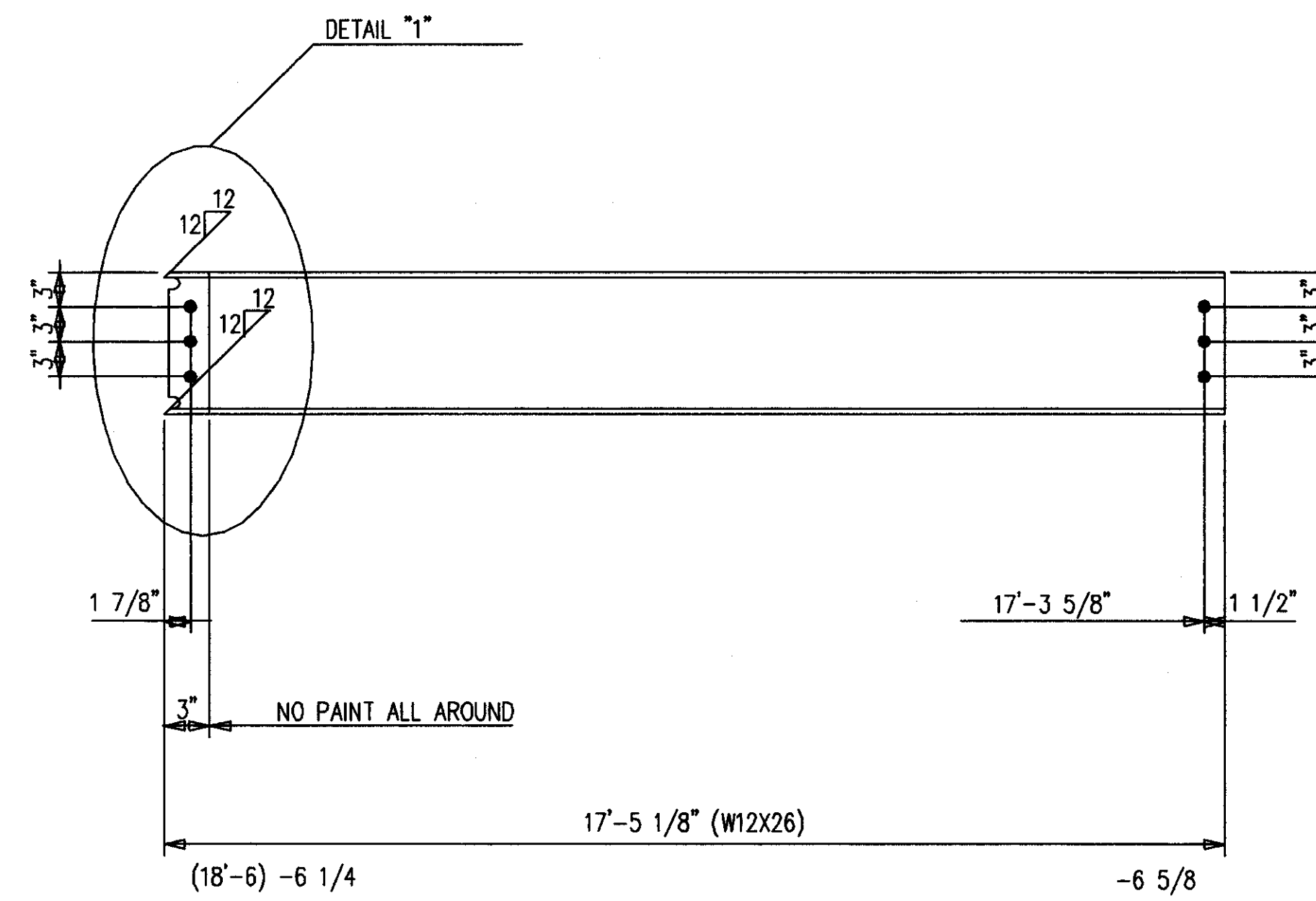
MARK	QUAN.	DESCRIPTION	LENGTH		REMARKS
			FT.	IN.	
432B3 L	ONE	BEAM			
432B3	1	W21X44 A572	34	10-5/8	P
C432	1	F B1/2X4	1	3	P
432B3 R	ONE	BEAM			
432B3	1	W21X44 A572	34	10-5/8	P
C432	1	F B1/2X4	1	3	P
		FIELD BOLTS			
F1640H	21	A490 1X2-1/2			
F16L1	21	A LOAD IND 1			

**AS BUILT**  
 NAME: *Map Hughes*  
 DATE: **AUG 16 1999**

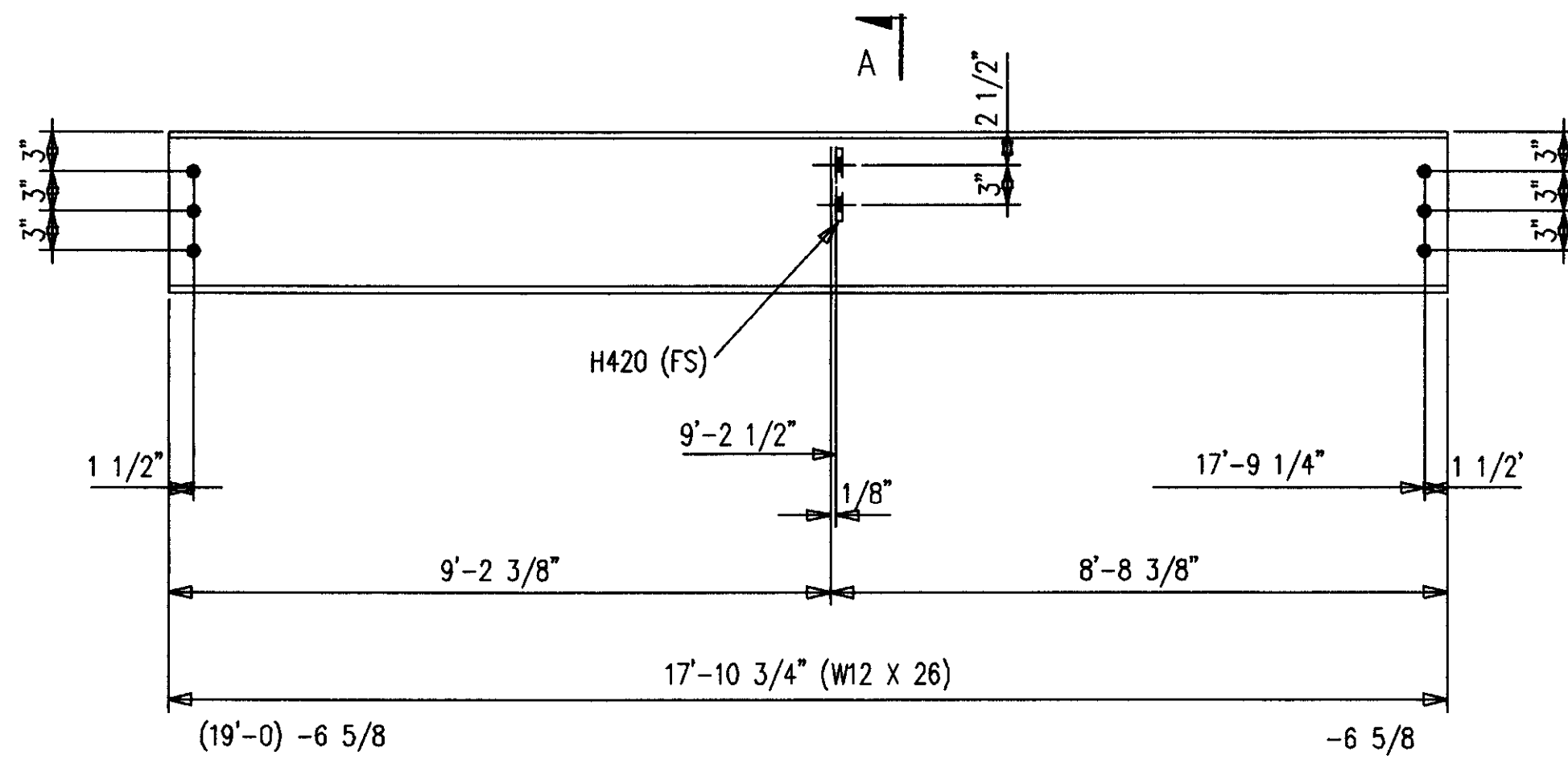
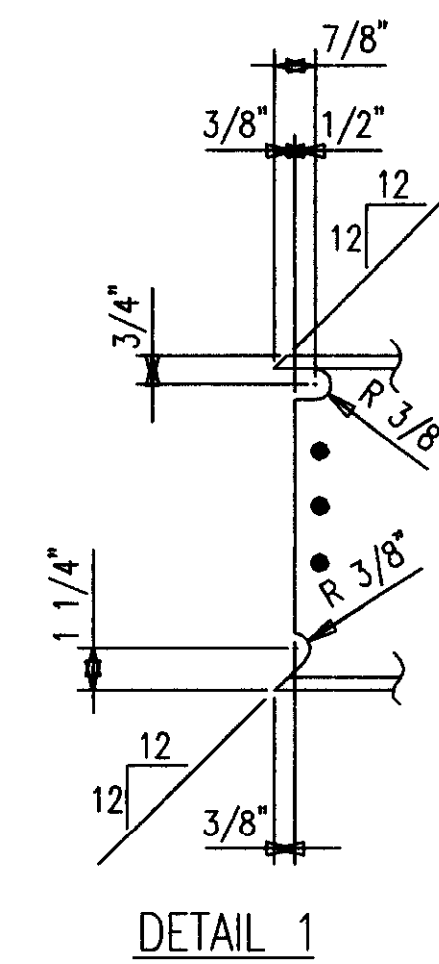
NO.		DATE		REVISION DESCRIPTION		DWN.	COO.
CONTRACTOR TO CHECK ALL DIMENSIONS AT JOB AS MID STATES STEEL PRODUCTS CO. ASSUMES NO RESPONSIBILITY FOR GENERAL BUILDING DIMENSIONS. NO BACK CHARGES PERTAINING TO THIS WORK WILL BE ACCEPTED WITHOUT PRIOR AUTHORIZATION BY MID STATES STEEL PRODUCTS CO.							
MATERIAL U/N	A36	DRAWN BY	JDL	JOB NAME	COMMONWEALTH STADIUM EXPANSION		
OPEN HOLES U/N	1 1/16ø	DATE	9/98	JOB LOCATION	UNIVERSITY OF KENTUCKY		
WELD ELECTRODE U/N	E70XX	CHECKED BY	GCL	CONTRACTOR	TURNER CONSTRUCTION COMPANY		
SHOP PAINT	SEE SPECS	DATE	9/98	ENGINEER	WALTER P. MOORE AND ASSOCIATES, INC.		
ALL A307 BOLTS w/HEX NUT				DRAWING TITLE			
				BEAMS			
DATE	APP.	SHOP	FIELD	P.O. BOX 11128-2044 BUCK LANE LEXINGTON, KENTUCKY 40511 PHONE: 606-233-4344 FAX: 606-233-4346			
				ORDER NO. P3524			
				SHEET NO. 432			
MID STATES STEEL PRODUCTS CO. FABRICATORS OF STRUCTURAL AND MISCELLANEOUS STEEL							



2-BEAMS 433B2  
12-A490 1 X 2 1/4 F1636H

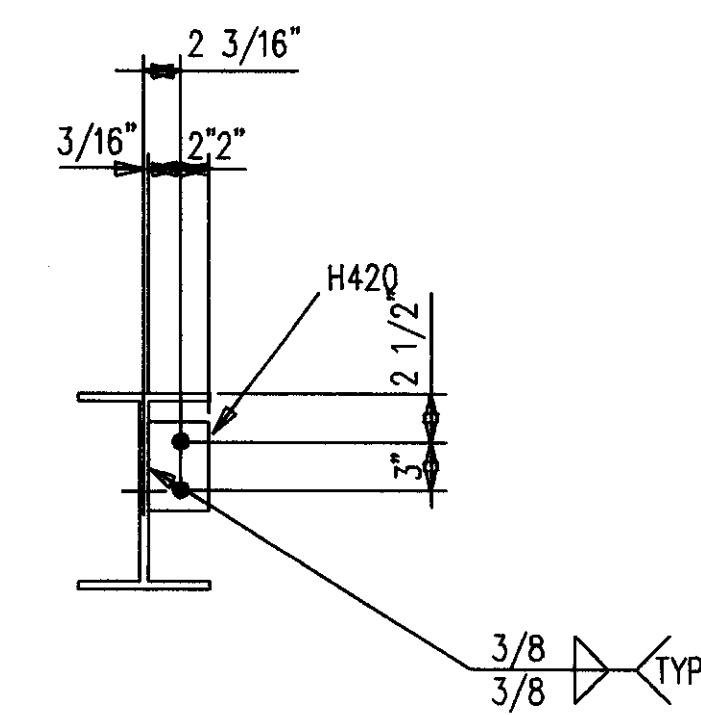


2-BEAMS 433B3  
12-A490 1 X 2 1/4 F1636H



2-BEAMS 433B4 R [AS SHOWN]  
2-BEAMS 433B4 L [OPP HAND]  
24-A490 1 X 2 1/4 F1636H

BILL OF MATERIAL					
MARK	QUAN.	DESCRIPTION	LENGTH		REMARKS
			FT.	IN.	
433B2	2	BEAMS			
433B2	2	W12X26 A572	17	4-3/4	P
*433B3	2	BEAMS			
433B3	2	W12X26 A572	17	5-1/8	P
433B4 L	2	BEAMS			
433B4	2	W12X26 A572	17	10-3/4	P
H420	2	FBI/2X4	0	6	P
433B4 R	2	BEAMS			
433B4	2	W12X26 A572	17	10-3/4	P
H420	2	FBI/2X4	0	6	P
		FIELD BOLTS			
F1636H	49	A490 1X2-1/4			
F16LI	49	A LOAD IND 1			



SECTION A

SHOP NOTES:  
1. PRIMER ONLY 3" AROUND ALL HOLES UNLESS NOTED PF(PRIMER/FINISH).  
2. P=PRIMER ONLY AS DIMENSIONED.  
3. NP=NO PAINT IN 3" WIDE STRIP, CENTER OF BEAM, FULL LENGTH.

**AS BUILT**  
NAME: *Max Hensler*  
DATE: **AUG 16 1999**

DATE	APP	SHOP	FIELD

NO.	DATE	REVISION DESCRIPTION	DWN	LOG
1	2-8-99	changed b3		

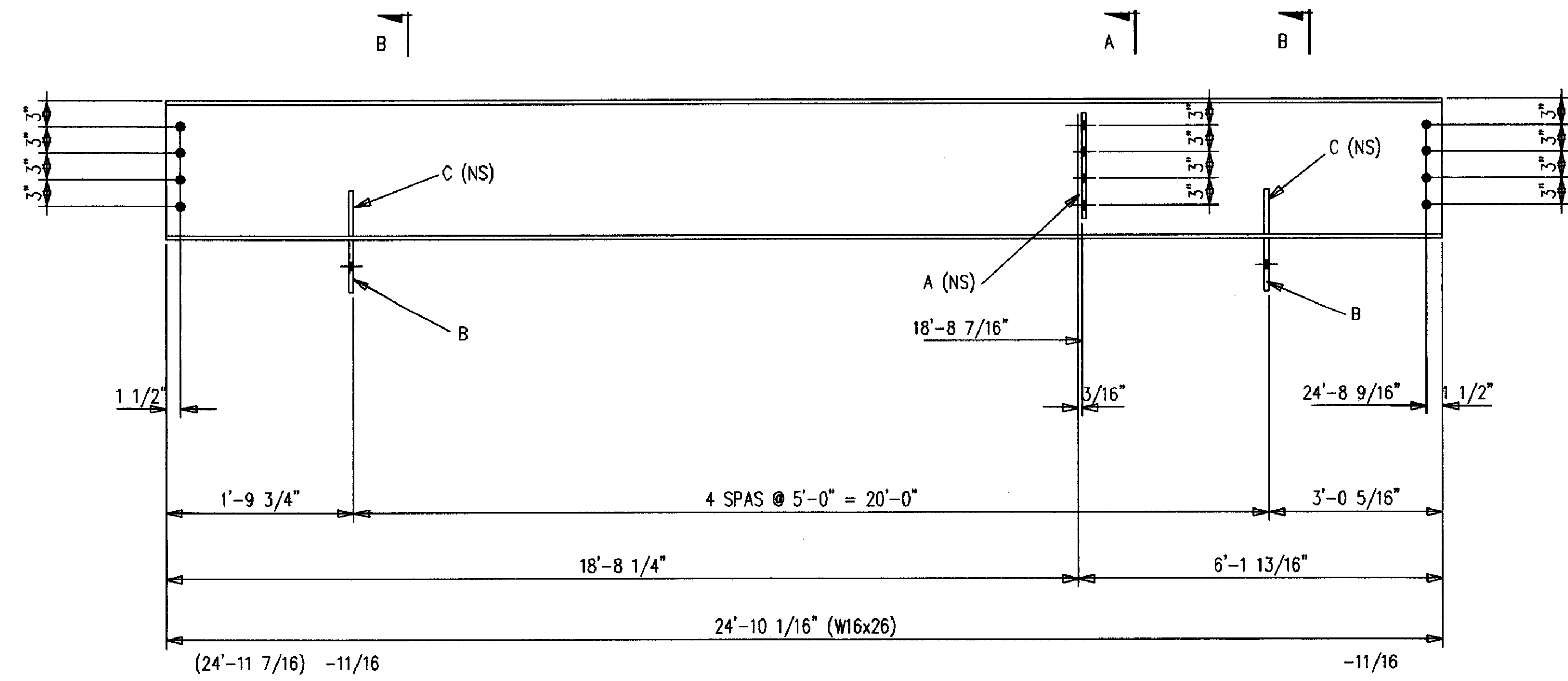
CONTRACTOR TO CHECK ALL DIMENSIONS AT JOB AS MID STATES STEEL PRODUCTS CO. ASSUMES NO RESPONSIBILITY FOR GENERAL BUILDING DIMENSIONS. NO BACK CHARGES PERTAINING TO THIS WORK WILL BE ACCEPTED WITHOUT PRIOR AUTHORIZATION BY MID STATES STEEL PRODUCTS CO.

MATERIAL U/A A36	DRAWN BY JDL	JOB NAME COMMONWEALTH STADIUM EXPANSION
OPEN HOLES U/A 1 1/16"	DATE 9/98	JOB LOCATION UNIVERSITY OF KENTUCKY
WELD ELECTRODE U/A E70XX	CHECKED BY GCL	CONTRACTOR TURNER CONSTRUCTION COMPANY
SHOP PAINT SEE SPECS	DATE 9/98	ENGINEER WALTER P. MOORE AND ASSOCIATES, INC.

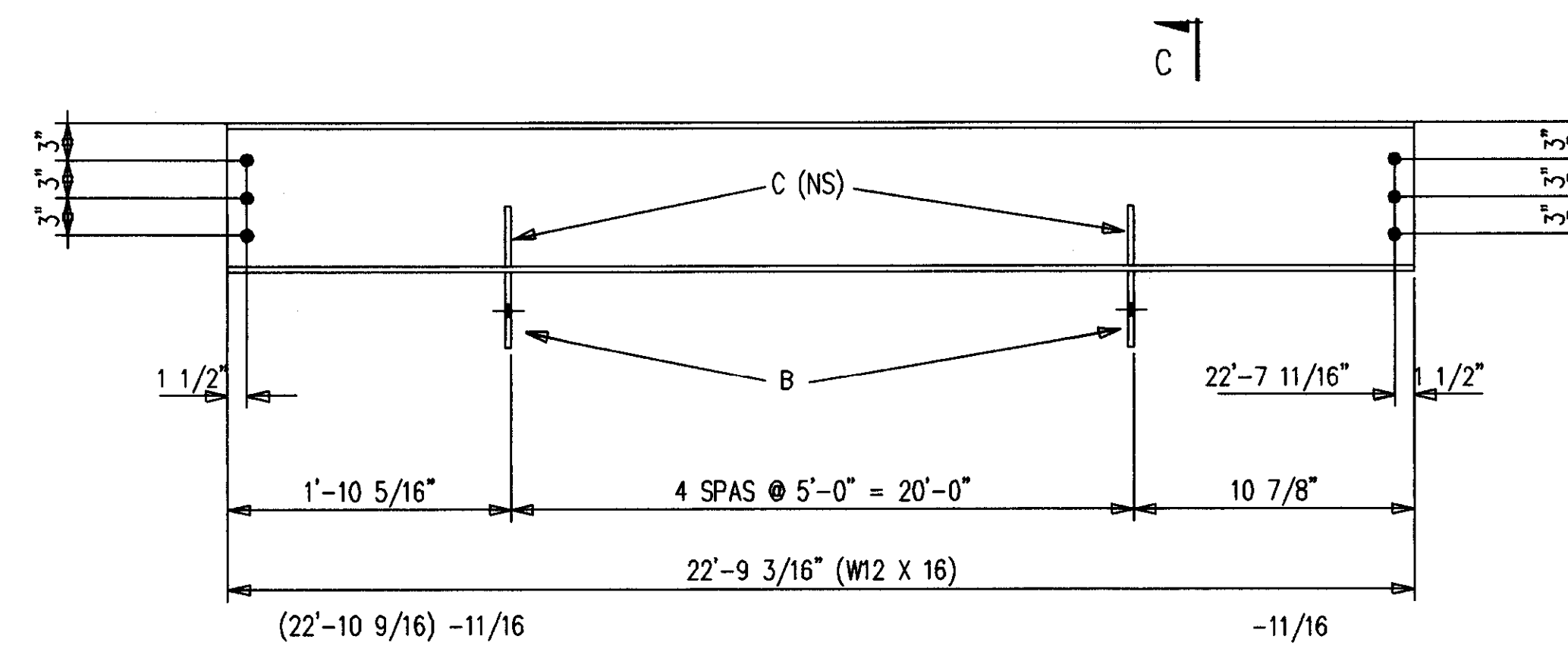
DRAWING TITLE: BEAMS

MID STATES STEEL PRODUCTS CO.  
P.O. BOX 11128-2044 BUCK LANE  
LEXINGTON, KENTUCKY 40511  
PHONE: 606-233-4344 FAX: 606-233-4346  
FABRICATORS OF STRUCTURAL AND MISCELLANEOUS STEEL

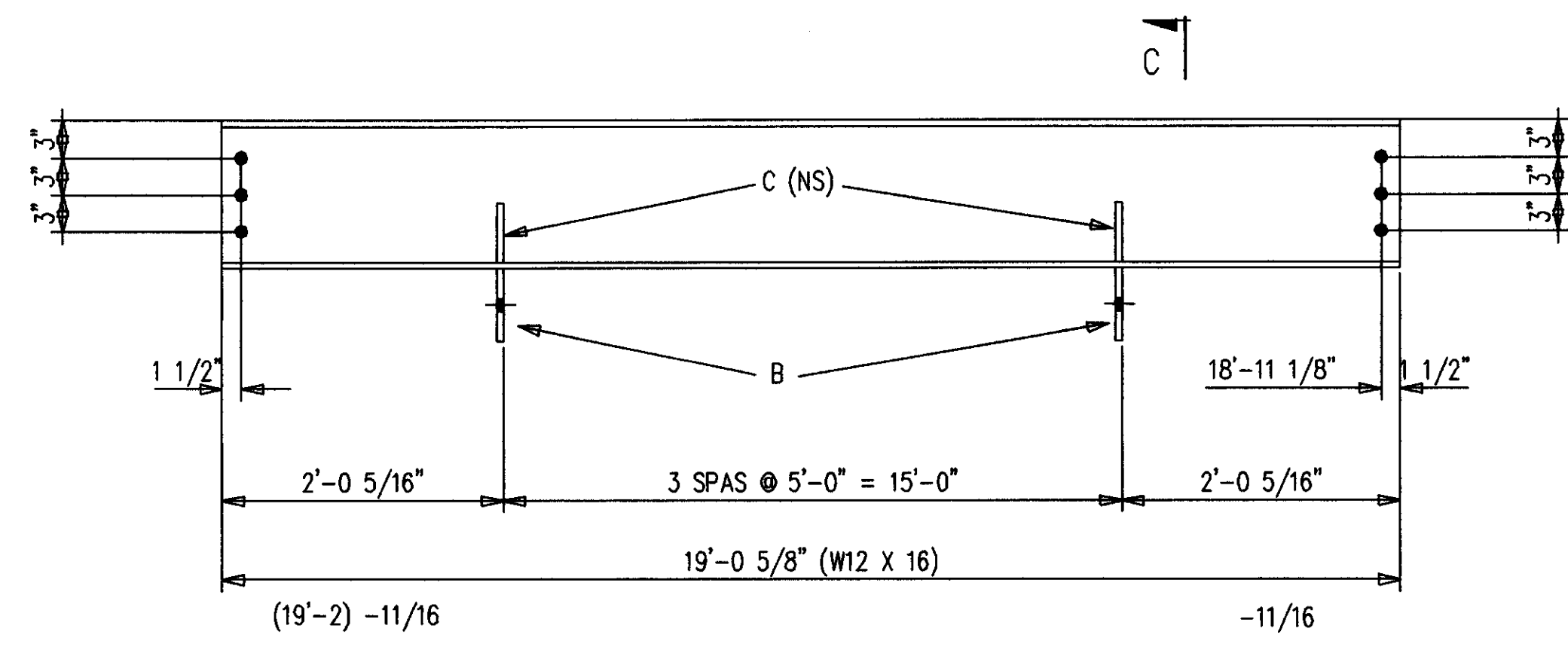
ORDER NO.  
**P3524**  
SHEET NO.  
**433**



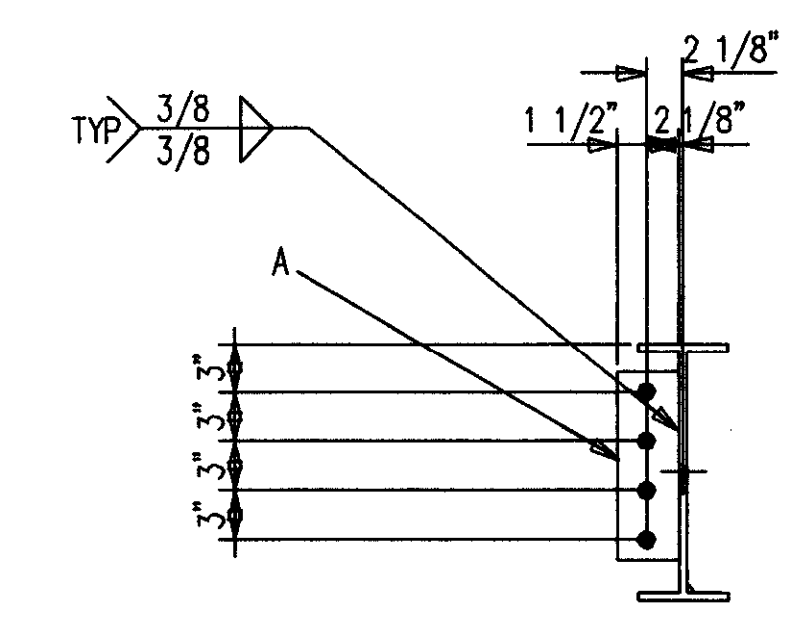
ONE-BEAM 434B1 R [AS SHOWN]  
ONE-BEAM 434B1 L [OPP HAND]  
 16-A490 1 X 2 1/4 F1636H



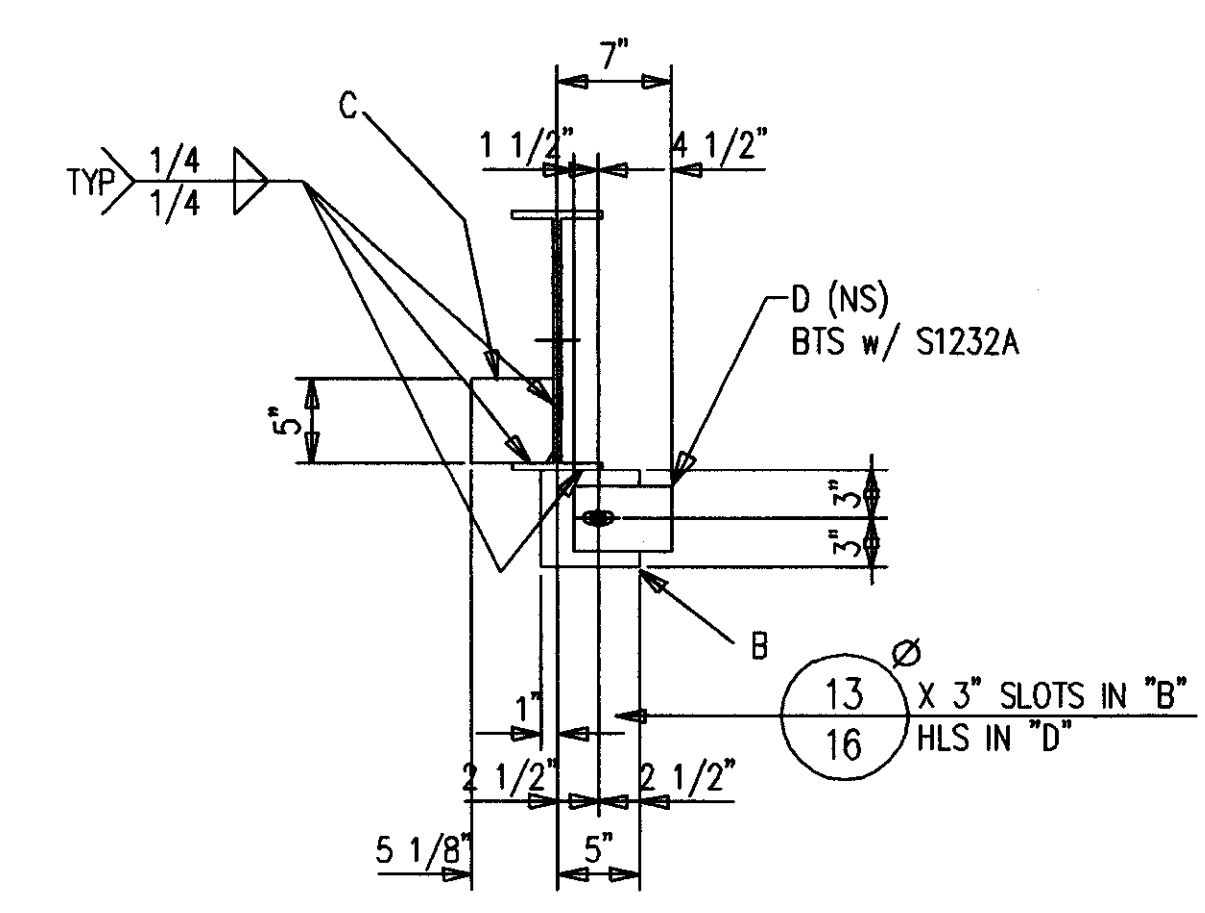
ONE-BEAM 434B2 R [AS SHOWN]  
ONE-BEAM 434B2 L [OPP HAND]  
 12-A490 1 X 2 1/4 F1636H



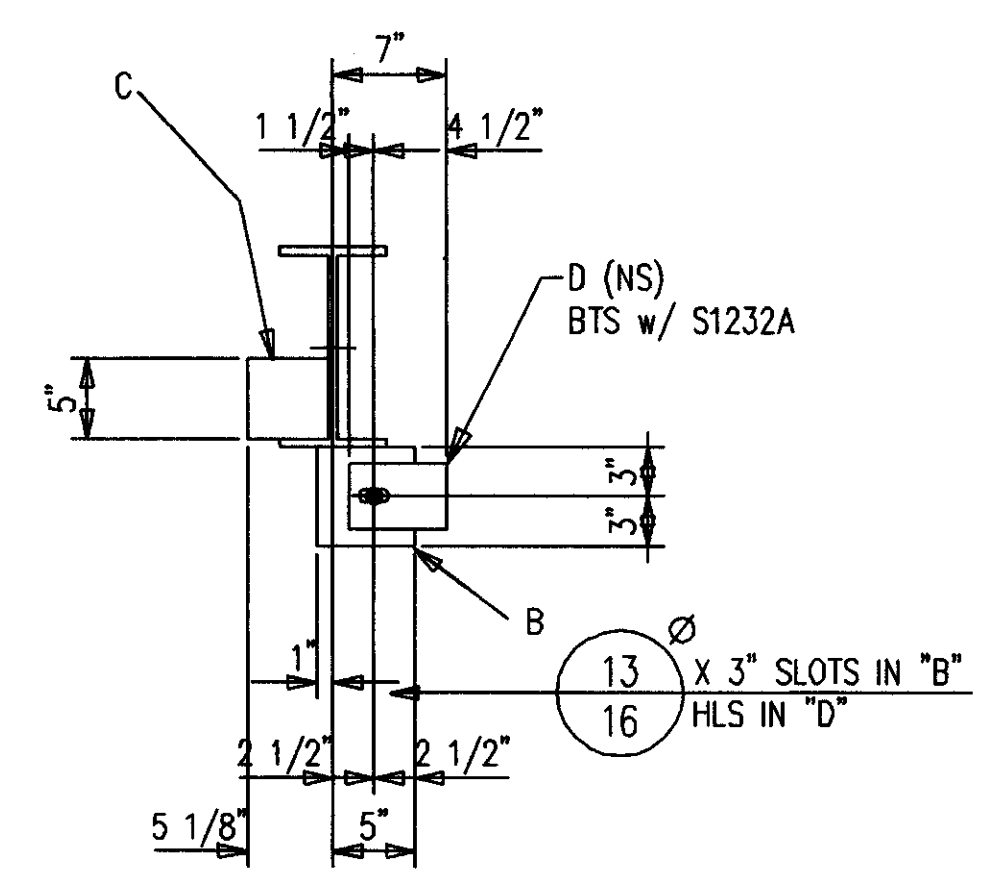
2-BEAMS 434B3  
 12-A490 1 X 2 1/4 F1636H



SECTION A



SECTION B



SECTION C

**BILL OF MATERIAL**

SHIP MARK SUB MARK	NO. PCS.	DESCRIPTION	LENGTH		CL LIST	REMARKS
			FT.	IN.		
434B1 L	ONE	BEAM				
434B1	1	W16X26 A572	24	10-1/16		P
A434	1	FB1/2X4	1	0		P
B434	5	FB3/8X6	0	6		P
C434	5	FB3/8X5	0	5		STIFF
D434	5	FB3/8X4	0	6		P
S1232A	5	A325 3/4X2				
434B1 R	ONE	BEAM				
434B1	1	W16X26 A572	24	10-1/16		P
A434	1	FB1/2X4	1	0		P
B434	5	FB3/8X6	0	6		P
C434	5	FB3/8X5	0	5		STIFF
D434	5	FB3/8X4	0	6		P
S1232A	5	A325 3/4X2				
434B2 L	ONE	BEAM				
434B2	1	W12X16 A572	22	9-3/16		P
B434	5	FB3/8X6	0	6		P
C434	5	FB3/8X5	0	5		STIFF
D434	5	FB3/8X4	0	6		P
S1232A	5	A325 3/4X2				
434B2 R	ONE	BEAM				
434B2	1	W12X16 A572	22	9-3/16		P
B434	5	FB3/8X6	0	6		P
C434	5	FB3/8X5	0	5		STIFF
D434	5	FB3/8X4	0	6		P
S1232A	5	A325 3/4X2				
434B3	2	BEAMS				
434B3	2	W12X16 A572	19	0-5/8		P
B434	8	FB3/8X6	0	6		P
C434	8	FB3/8X5	0	5		STIFF
D434	8	FB3/8X4	0	6		P
S1232A	8	A325 3/4X2				
FIELD BOLTS						
F1636H	41	A490 1X2-1/4				
F16LIW	41	A LOAD IND 1				

SHOP NOTES:  
 1. PRIMER ONLY 3" AROUND ALL HOLES UNLESS NOTED PF(PRIMER/FINISH).  
 2. P=PRIMER ONLY AS DIMENSIONED.  
 3. NP=NO PAINT IN 3" WIDE STRIP, CENTER OF BEAM, FULL LENGTH.

**AS BUILT**  
 NAME: *Max Hester*  
 DATE: **AUG 16 1999**

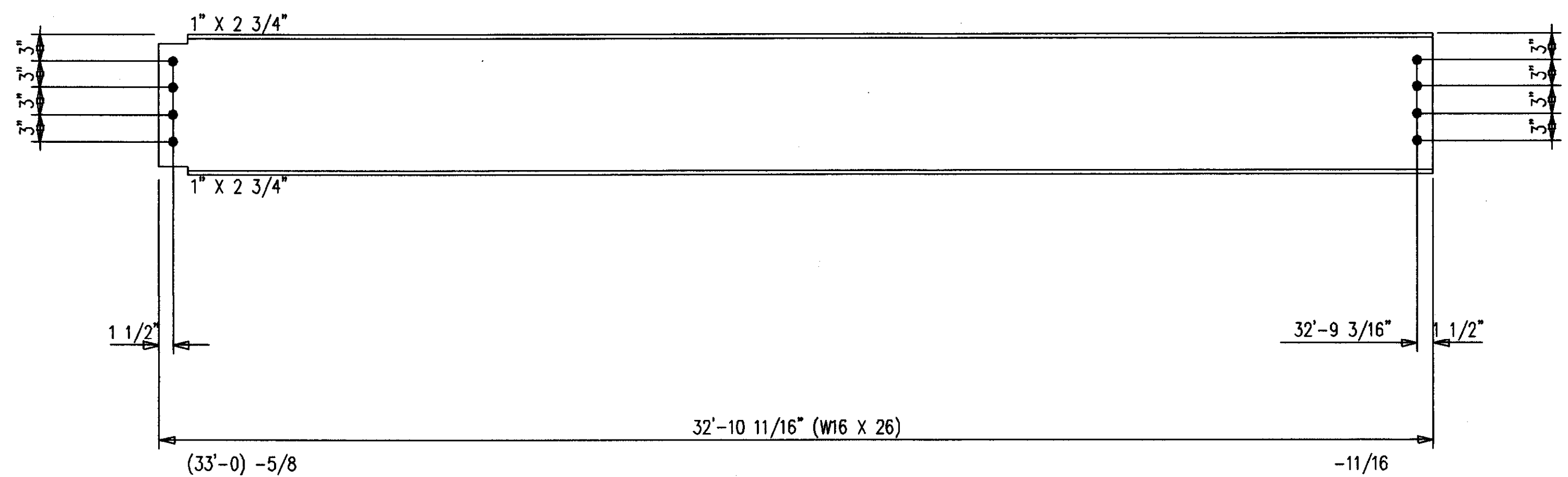
ALL RE-ENTRANT CUTS MIN. 1/2" RAD. U/N	WELD ELECTRODE E70XX	CHECKED BY GCL	DATE 9/98
ALL A325 BOLTS W/ONE HARD WASH. AND HVY HEX NUT	SHOP PAINT SEE SPECS	DATE 9/98	
ALL A307 BOLTS W/HEX NUT	DRAWING TITLE BEAMS		

NO.	DATE	REVISION DESCRIPTION	DRWN	CHKD

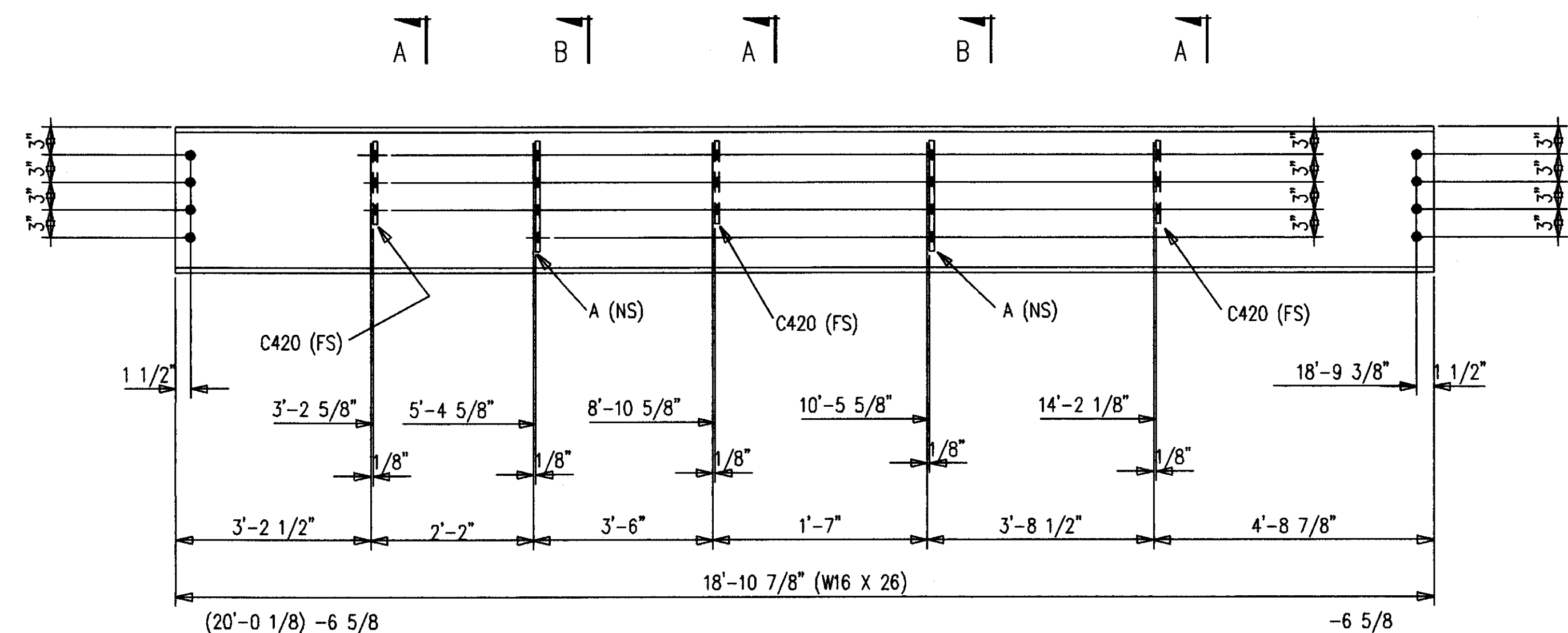
MATERIAL U/N A36	DRAWN BY JDL	JOB NAME COMMONWEALTH STADIUM EXPANSION
OPEN HOLES 1 1/16"	DATE 9/98	JOB LOCATION UNIVERSITY OF KENTUCKY
CONTRACTOR TURNER CONSTRUCTION COMPANY	ENGINEER WALTER P. MOORE AND ASSOCIATES, INC.	

P.O. BOX 11128-2044 BUCK LANE  
 LEXINGTON, KENTUCKY 40511  
 PHONE: 606-233-4344 FAX: 606-233-4346

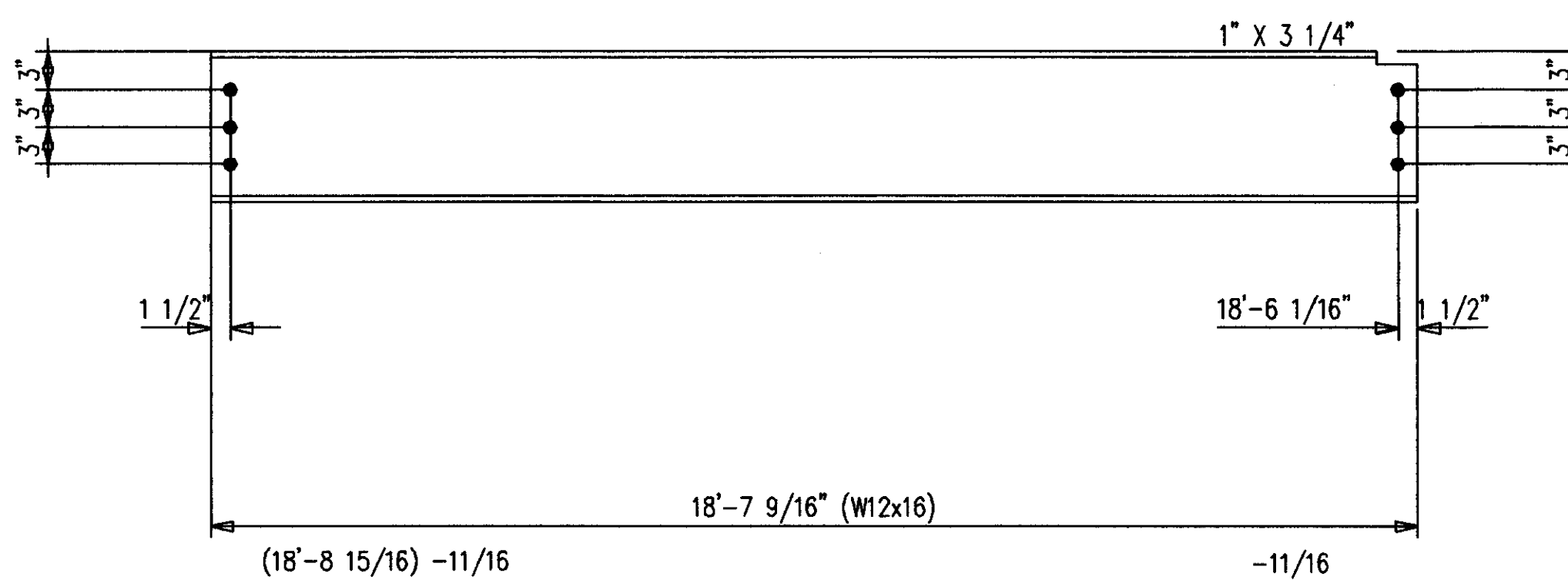
ORDER NO. **P3524**  
 SHEET NO. **434**



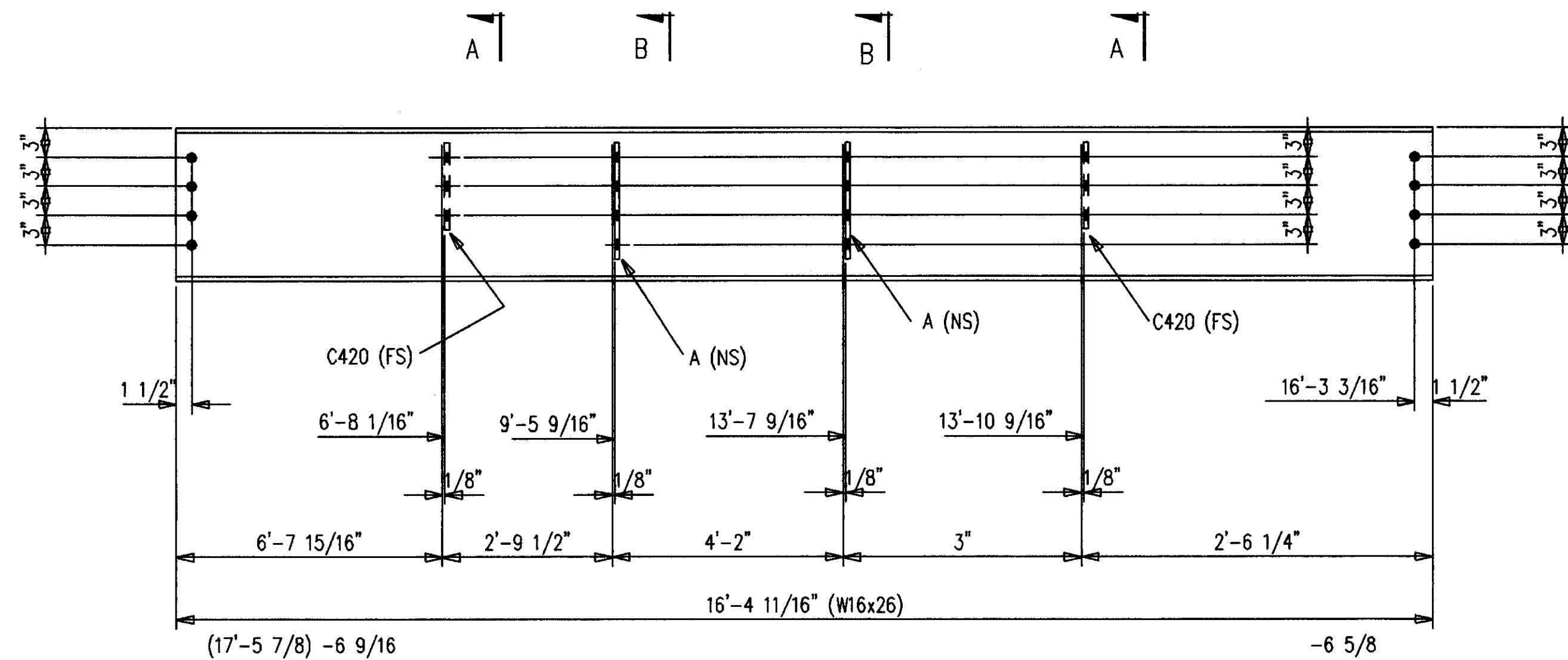
2-BEAMS 435B1  
16-A490 1 X 2 1/4 F1636H



ONE-BEAM 435B2 R [AS SHOWN]  
ONE-BEAM 435B2 L [OPP HAND]  
16-A490 1 X 2 1/4 F1636H



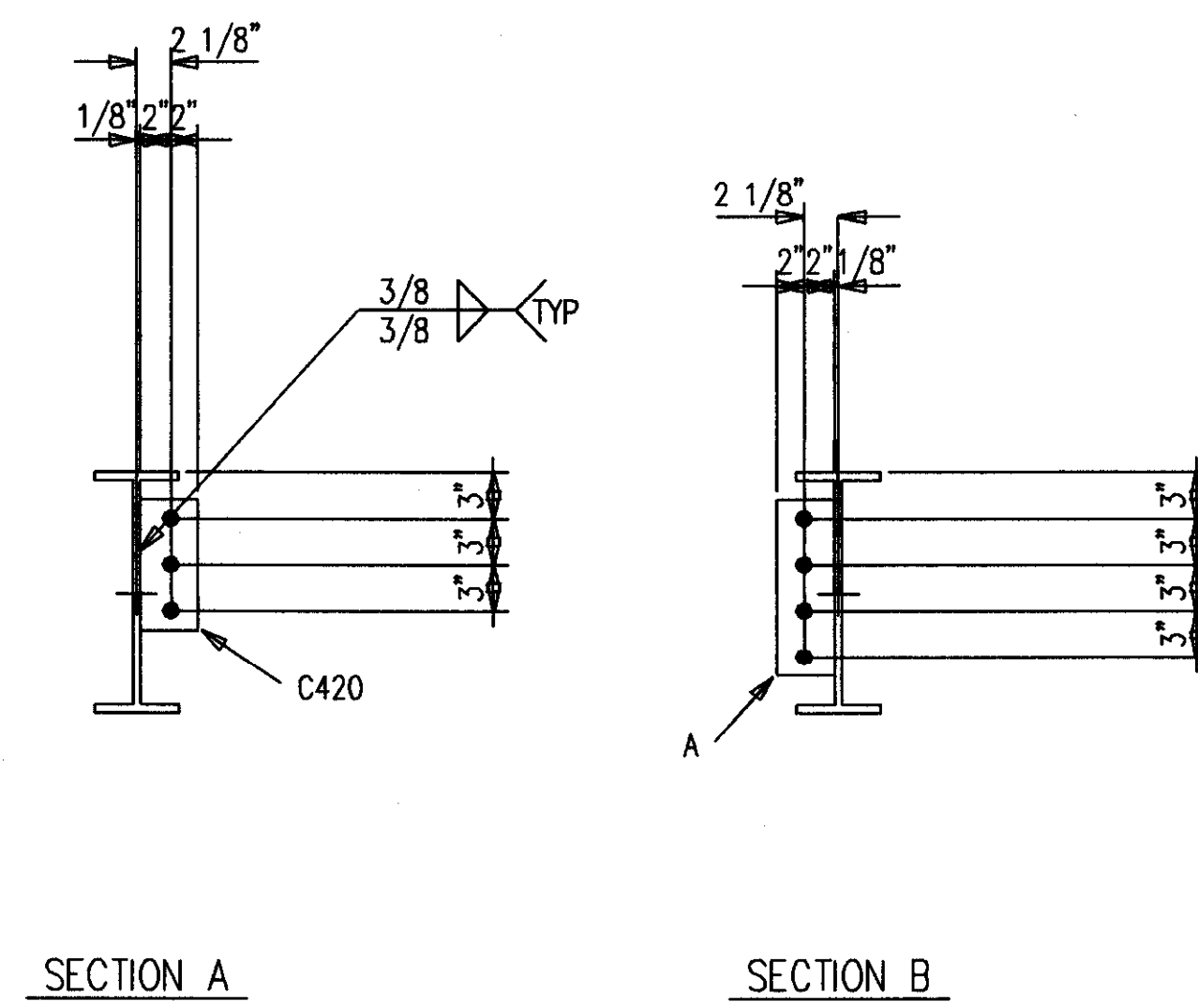
2-BEAMS 435B4  
12-A490 1 X 2 1/4 F1636H



ONE-BEAM 435B3 R [AS SHOWN]  
ONE-BEAM 435B3 L [OPP HAND]  
16-A490 1 X 2 1/4 F1636H

BILL OF MATERIAL

MARK	QUAN.	DESCRIPTION	LENGTH		REMARKS
			FT.	IN.	
435B1	2	BEAMS			
435B1	2	W16X26 A572	32	10-11/16	P
435B2 L	ONE	BEAM			
435B2	1	W16X26 A572	18	10-7/8	P
A435	2	F81/2X4	1	0	P
C420	3	F81/2X4	0	9	P
435B2 R	ONE	BEAM			
435B2	1	W16X26 A572	18	10-7/8	P
A435	2	F81/2X4	1	0	P
C420	3	F81/2X4	0	9	P
435B3 L	ONE	BEAM			
435B3	1	W16X26 A572	16	4-11/16	P
A435	2	F81/2X4	1	0	P
C420	2	F81/2X4	0	9	P
435B3 R	ONE	BEAM			
435B3	1	W16X26 A572	16	4-11/16	P
A435	2	F81/2X4	1	0	P
C420	2	F81/2X4	0	9	P
435B4	2	BEAMS			
435B4	2	W12X16 A572	18	7-9/16	P
		FIELD BOLTS			
F1636H	61	A490 1X2-1/4			
F16LI	61	A LOAD IND 1			



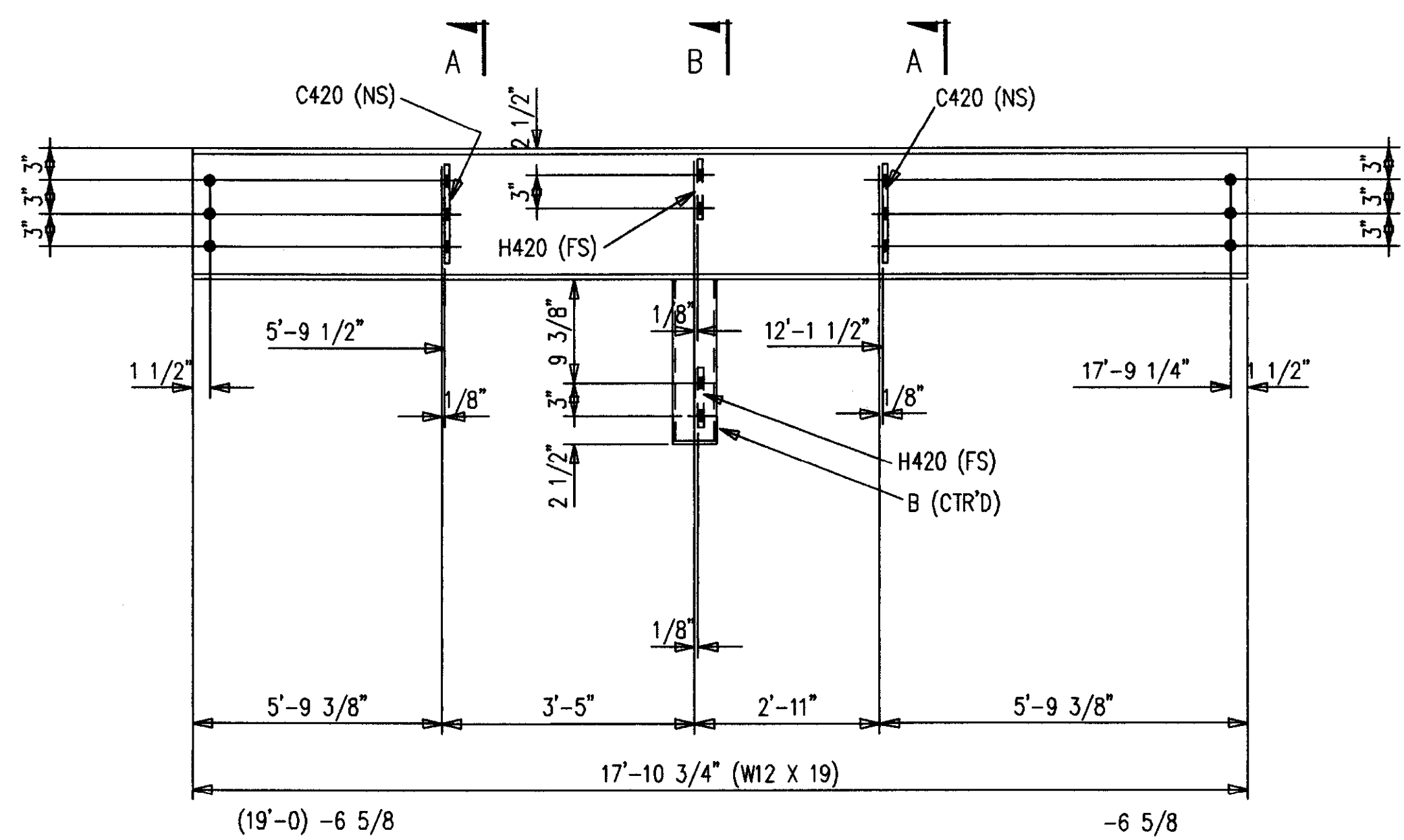
SHOP NOTES:  
1. PRIMER ONLY 3" AROUND ALL HOLES UNLESS NOTED PF(PRIMER/FINISH).  
2. P=PRIMER ONLY AS DIMENSIONED.  
3. NP=NO PAINT IN 3" WIDE STRIP, CENTER OF BEAM, FULL LENGTH.

AS BUILT  
NAME: *M. Hughes*  
DATE: AUG 16 1999

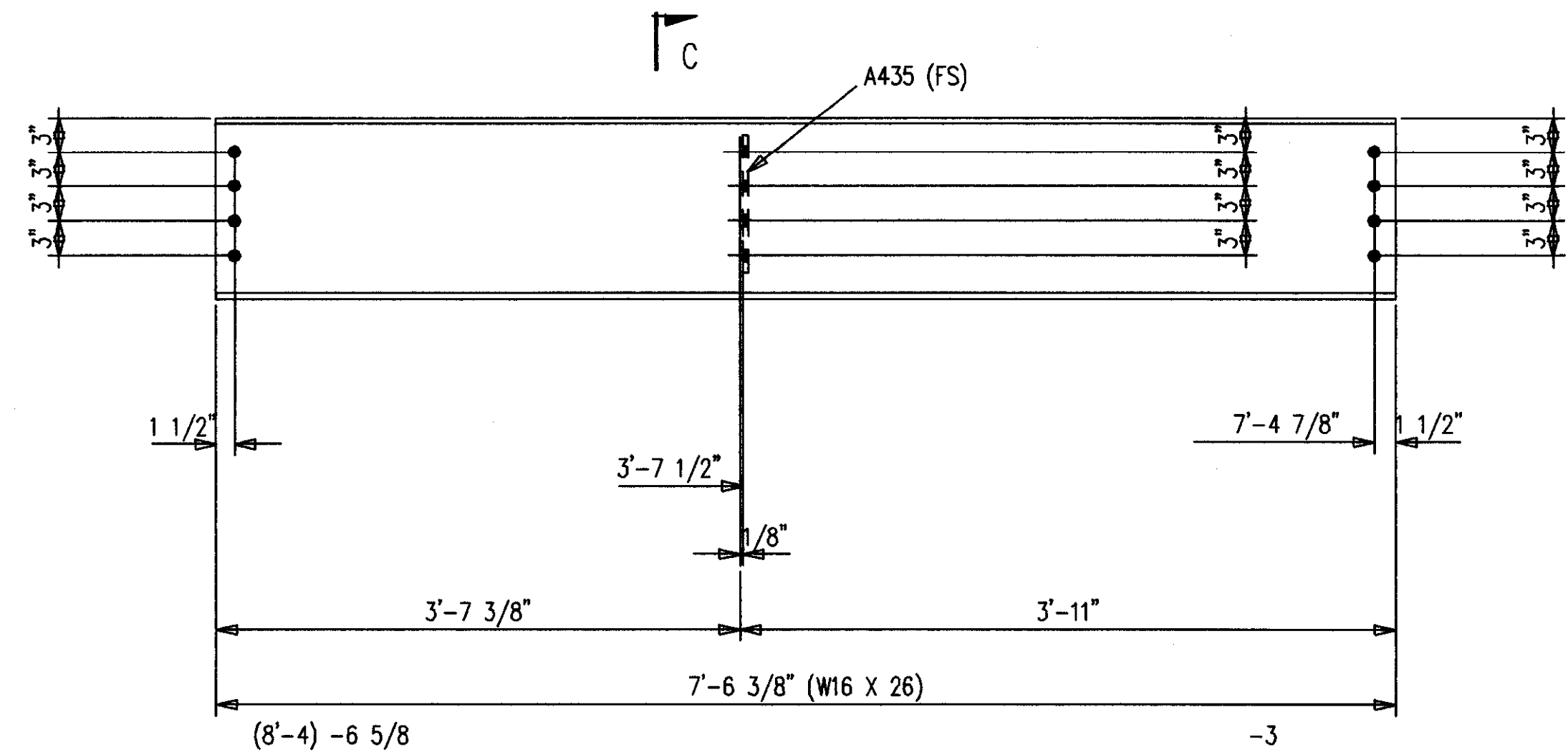
DATE	APP	SHOP	FIELD

NO.	DATE	REVISION DESCRIPTION	DWN	CRD	
CONTRACTOR TO CHECK ALL DIMENSIONS AT JOB AS MID STATES STEEL PRODUCTS CO. ASSUMES NO RESPONSIBILITY FOR GENERAL BUILDING DIMENSIONS. NO BACK CHARGES PERTAINING TO THIS WORK WILL BE ACCEPTED WITHOUT PRIOR AUTHORIZATION BY MID STATES STEEL PRODUCTS CO.					
MATERIAL U/N	A36	DRAWN BY	JDL	JOB NAME	COMMONWEALTH STADIUM EXPANSION
OPEN HOLES U/N	1 1/16"	DATE	9/98	JOB LOCATION	UNIVERSITY OF KENTUCKY
WELD ELECTRODE U/N	E70XX	CHECKED BY	GCL	CONTRACTOR	TURNER CONSTRUCTION COMPANY
SHOP PAINT U/N	SEE SPECS	DATE	9/98	ENGINEER	WALTER P. MOORE AND ASSOCIATES, INC.
DRAWING TITLE BEAMS					
P.O. BOX 11128-2044 BUCK LANE LEXINGTON, KENTUCKY 40511 PHONE: 606-233-4344 FAX: 606-233-4346 FABRICATORS OF STRUCTURAL AND MISCELLANEOUS STEEL				ORDER NO. P3524 SHEET NO. 435	

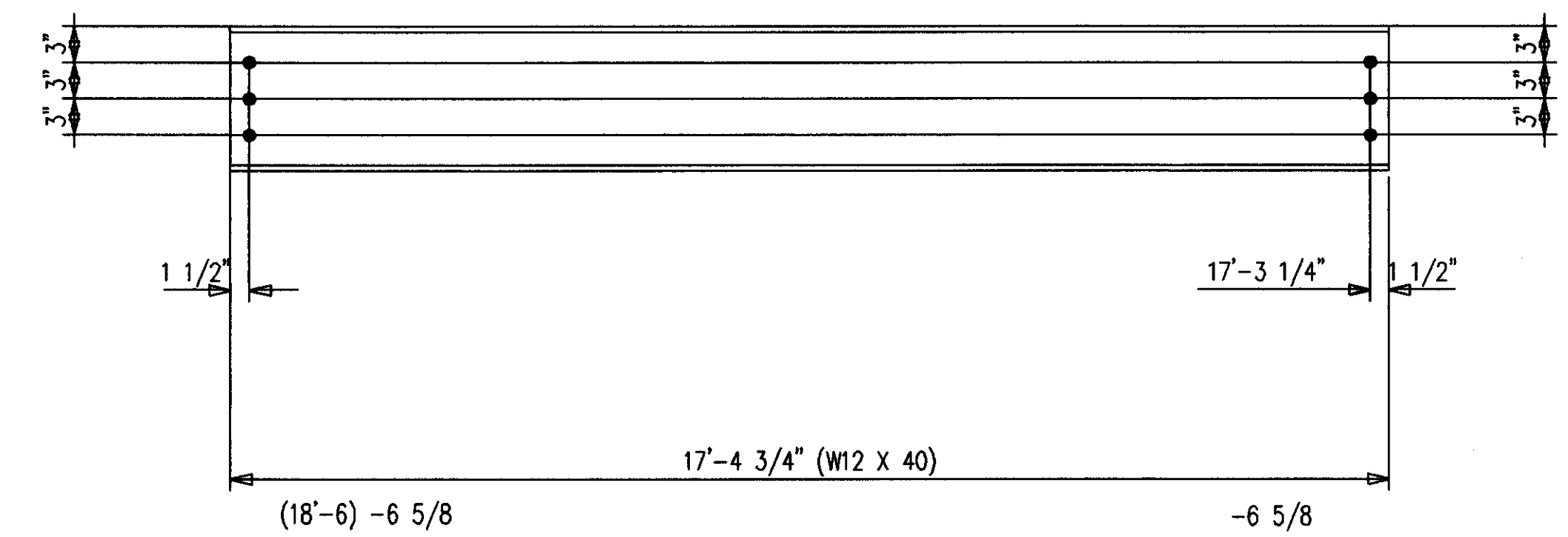




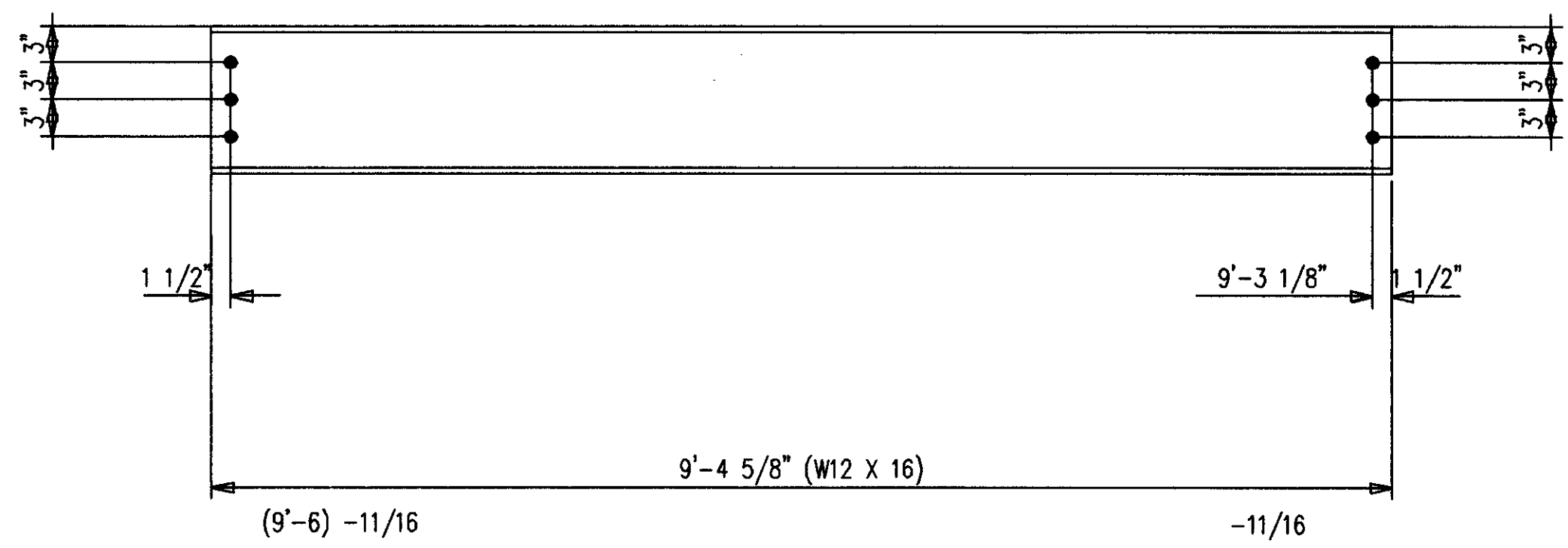
ONE-BEAM 436B1 R [AS SHOWN]  
 ONE-BEAM 436B1 L [OPP HAND]  
 12-A490 1 X 2 1/4 F1636H



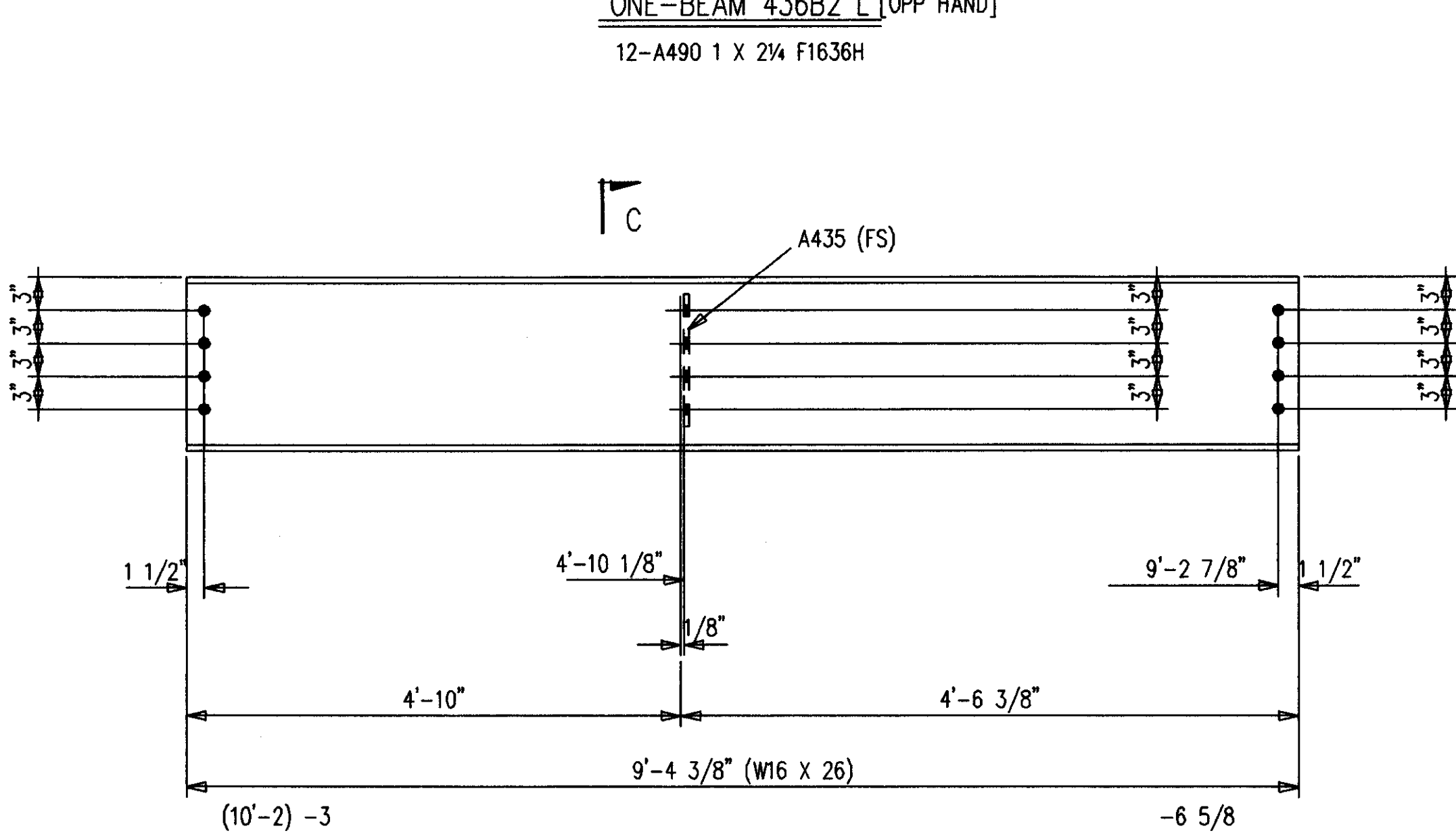
ONE-BEAM 436B2 R [AS SHOWN]  
 ONE-BEAM 436B2 L [OPP HAND]  
 16-A490 1 X 2 1/4 F1636H



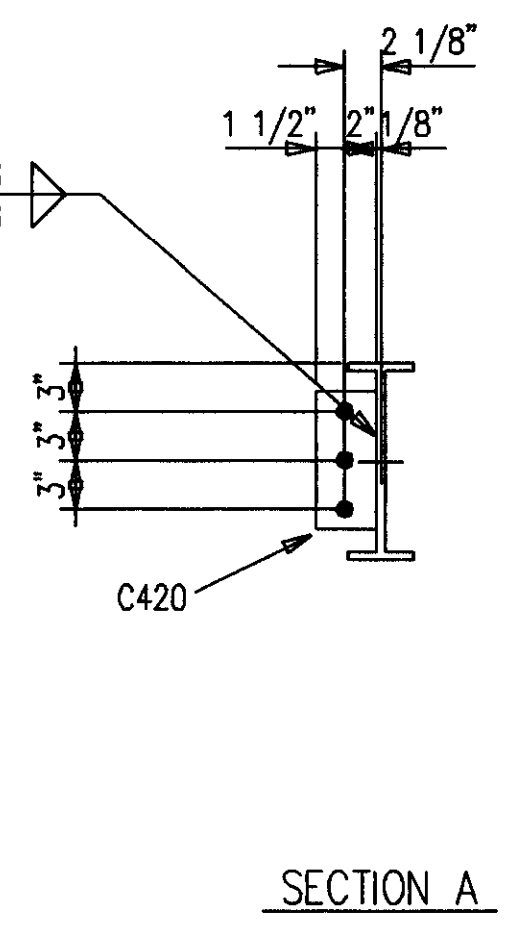
ONE-BEAM 436B3 R [AS SHOWN]  
 ONE-BEAM 436B3 L [OPP HAND]  
 12-A490 1 X 2 1/4 F1636H



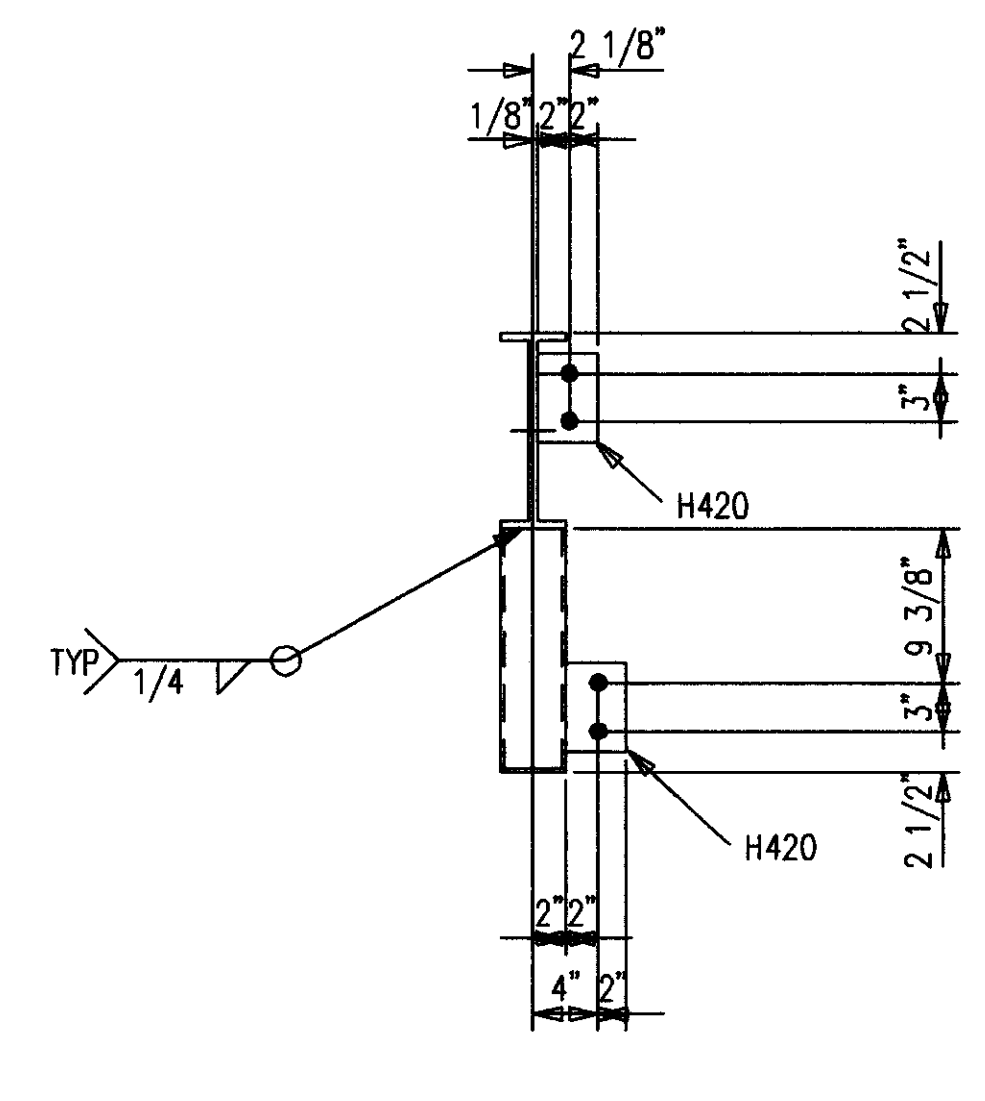
2-BEAMS 436B4  
 12-A490 1 X 2 1/4 F1636H



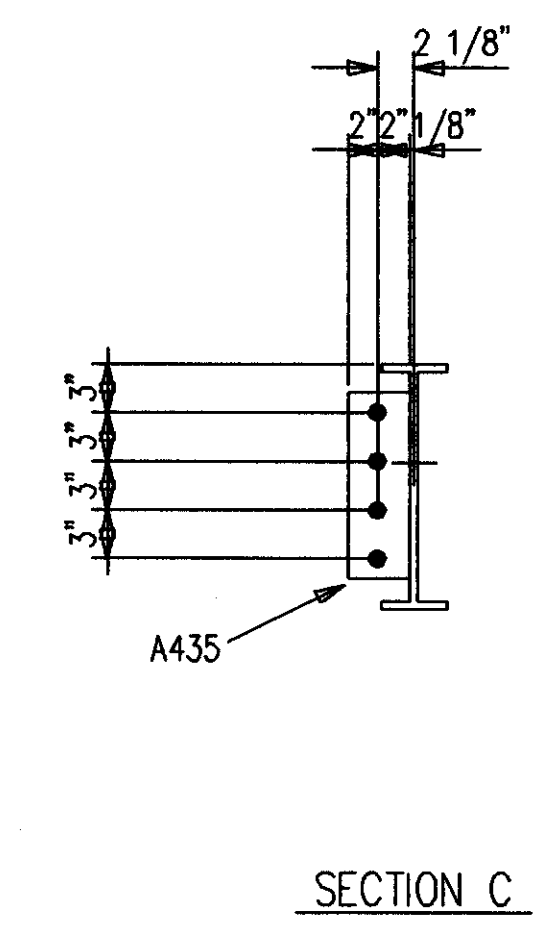
ONE-BEAM 436B5 R [AS SHOWN]  
 ONE-BEAM 436B5 L [OPP HAND]  
 16-A490 1 X 2 1/4 F1636H



SECTION A



SECTION B



SECTION C

BILL OF MATERIAL

MARK	QUAN.	DESCRIPTION	LENGTH		REMARKS
			FT.	IN.	
436B1 L	ONE	BEAM			
436B1	1	W12X19 A572	17	10-3/4	P
A436	1	TS4X4X1/4	1	2-5/8	
B436	1	FB1/4X4	0	4	
C420	2	FB1/2X4	0	9	P
H420	2	FB1/2X4	0	6	P
436B1 R	ONE	BEAM			
436B1	1	W12X19 A572	17	10-3/4	P
A436	1	TS4X4X1/4	1	2-5/8	
B436	1	FB1/4X4	0	4	
C420	2	FB1/2X4	0	9	P
H420	2	FB1/2X4	0	6	P
436B2 L	ONE	BEAM			
436B2	1	W12X40 A572	17	4-3/4	P
436B2 R	ONE	BEAM			
436B2	1	W12X40 A572	17	4-3/4	P
436B3 L	ONE	BEAM			
436B3	1	W16X26 A572	9	4-3/8	P
A435	1	FB1/2X4	1	0	P
436B3 R	ONE	BEAM			
436B3	1	W16X26 A572	9	4-3/8	P
A435	1	FB1/2X4	1	0	P
436B4 L	ONE	BEAM			
436B4	1	W16X26 A572	7	6-3/8	P
A435	1	FB1/2X4	1	0	P
436B4 R	ONE	BEAM			
436B4	1	W16X26 A572	7	6-3/8	P
A435	1	FB1/2X4	1	0	P
436B5	2	BEAMS			
436B5	2	W12X16 A572	9	4-5/8	P
		FIELD BOLTS			
F1636H	69	A490 1X2-1/4			
F16LI	69	A LOAD IND 1			

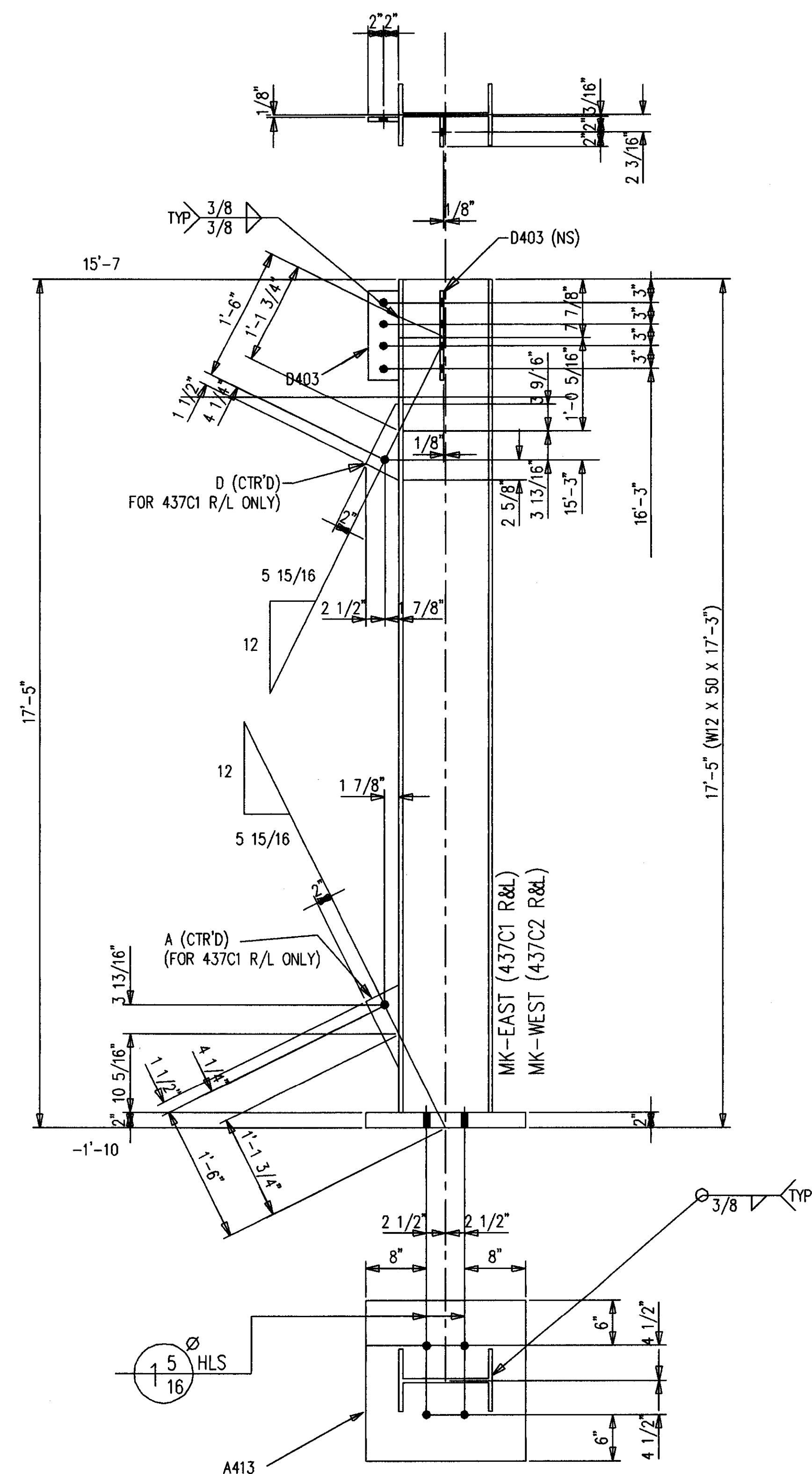
SHOP NOTES:  
 1. PRIMER ONLY 3" AROUND ALL HOLES UNLESS NOTED PF(PRIMER/FINISH).  
 2. P=PRIMER ONLY AS DIMENSIONED.  
 3. NP=NO PAINT IN 3" WIDE STRIP, CENTER OF BEAM, FULL LENGTH.

AS BUILT  
 NAME: *Map Hughes*  
 DATE: AUG 16 1999

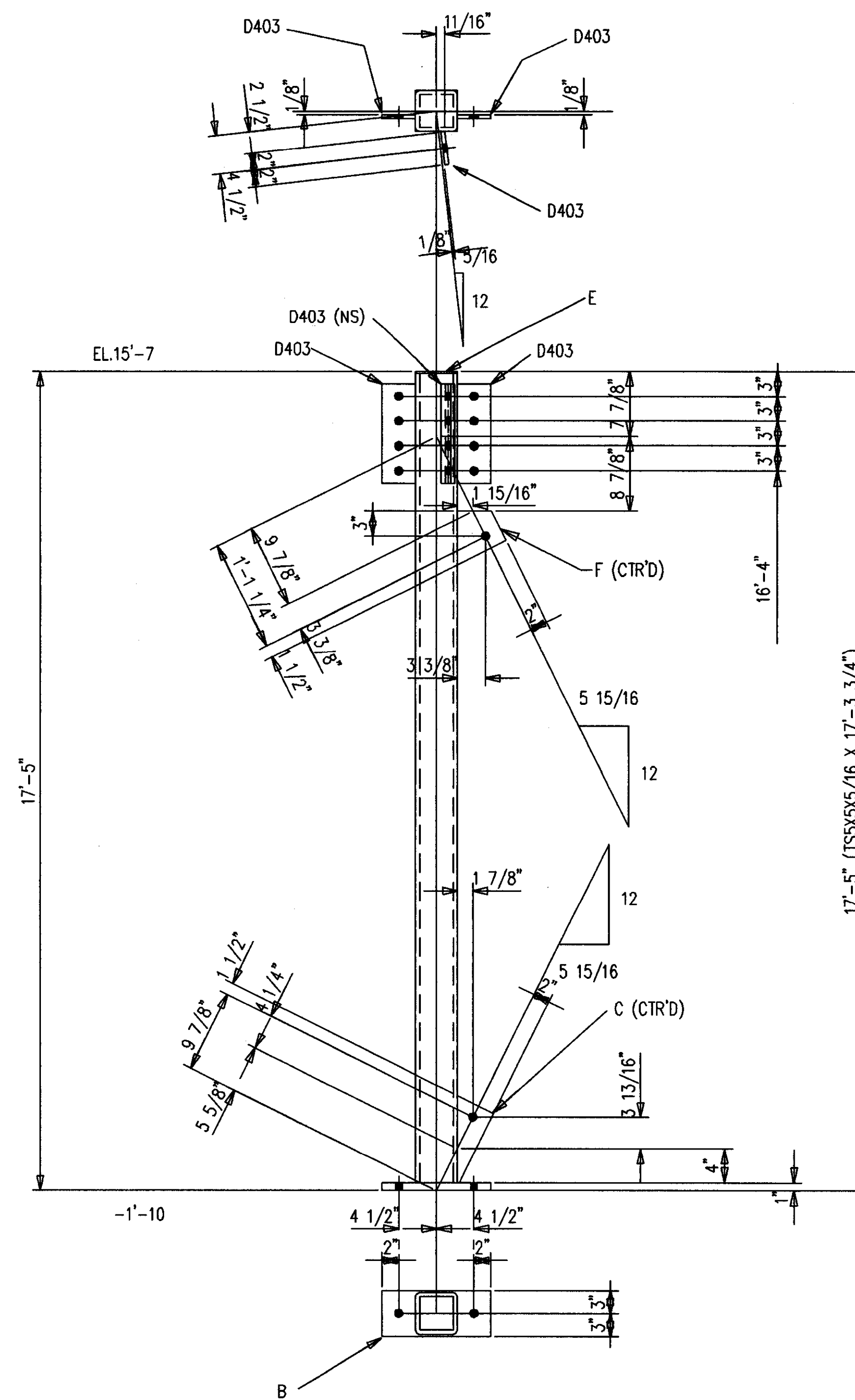
DATE	APP.	SHOP	FIELD

NO.	DATE	REVISION DESCRIPTION	DNW	CRD
CONTRACTOR TO CHECK ALL DIMENSIONS AT JOB AS MID STATES STEEL PRODUCTS CO. ASSUMES NO RESPONSIBILITY FOR GENERAL BUILDING DIMENSIONS. NO BACK CHARGES PERTAINING TO THIS WORK WILL BE ACCEPTED WITHOUT PRIOR AUTHORIZATION BY MID STATES STEEL PRODUCTS CO.				
MATERIAL U/W	A36	DRAWN BY JDL	JOB NAME	COMMONWEALTH STADIUM EXPANSION
OPEN HOLES U/W	1 1/16"	DATE 9/98	JOB LOCATION	UNIVERSITY OF KENTUCKY
WELD ELECTRODE U/W	E70XX	CHECKED BY CCL	CONTRACTOR	TURNER CONSTRUCTION COMPANY
SHOP PAINT	SEE SPECS	DATE 9/98	ENGINEER	WALTER P. MOORE AND ASSOCIATES, INC.
ALL A307 BOLTS w/HEX NUT				
ALL RE-ENTRANT CUTS MIN. 1/2" RAD. U/W				
ALL A325 BOLTS w/ONE HARD WASH. AND HVY HEX NUT				
DRAWING TITLE BEAMS				
				ORDER NO. <b>P3524</b> SHEET NO. <b>436</b>
P.O. BOX 11128-2044 BUCK LANE LEXINGTON, KENTUCKY 40511 PHONE: 606-233-4344 FAX: 606-233-4346				

Cab # Slot Document #  
 206 A-2 34811



- ONE-COLUMN 437C1 R [AS SHOWN]
- ONE-COLUMN 437C1 L [OPP HAND]
- ONE-COLUMN 437C2 R [AS SHOWN]
- ONE-COLUMN 437C2 L [OPP HAND]



- ONE-COLUMN 437C3 R [AS SHOWN]
- ONE-COLUMN 437C3 L [OPP HAND]

### BILL OF MATERIAL

MARK	QTY	DESCRIPTION	LENGTH		REMARKS
			FT.	IN.	
437C1 L	ONE	COLUMN			
437C1	1	W12X50 A572	17	3	SC2E
A413	1	PL2X21	1	9	P
A437	1	PL1/2X4-3/8	0	10-15/16	P
D403	2	FB1/2X4	1	0	P
D437	1	PL1/2X4-3/8	0	10	P
437C1 R	ONE	COLUMN			
437C1	1	W12X50 A572	17	3	SC2E
A413	1	PL2X21	1	9	P
A437	1	PL1/2X4-3/8	0	10-15/16	P
D403	2	FB1/2X4	1	0	P
D437	1	PL1/2X4-3/8	0	10	P
437C2 L	ONE	COLUMN			
437C2	1	W12X50 A572	17	3	SC2E
A413	1	PL2X21	1	9	P
D403	2	FB1/2X4	1	0	P
437C2 R	ONE	COLUMN			
437C2	1	W12X50 A572	17	3	SC2E
A413	1	PL2X21	1	9	P
D403	2	FB1/2X4	1	0	P
437C3 L	ONE	COLUMN			
437C3	1	TS5X5X5/16	17	3-3/4	SC2E
B437	1	FB1X6	1	1	P
C437	1	PL1/2X4-3/8	0	10-7/16	P
D403	3	FB1/2X4	1	0	P
E437	1	FB1/4X5	0	5	P
F437	1	PL1/2X5-7/8	0	6-3/8	P
437C3 R	ONE	COLUMN			
437C3	1	TS5X5X5/16	17	3-3/4	SC2E
B437	1	FB1X6	1	1	P
C437	1	PL1/2X4-3/8	0	10-7/16	P
D403	3	FB1/2X4	1	0	P
E437	1	FB1/4X5	0	5	P
F437	1	PL1/2X5-7/8	0	6-3/8	P

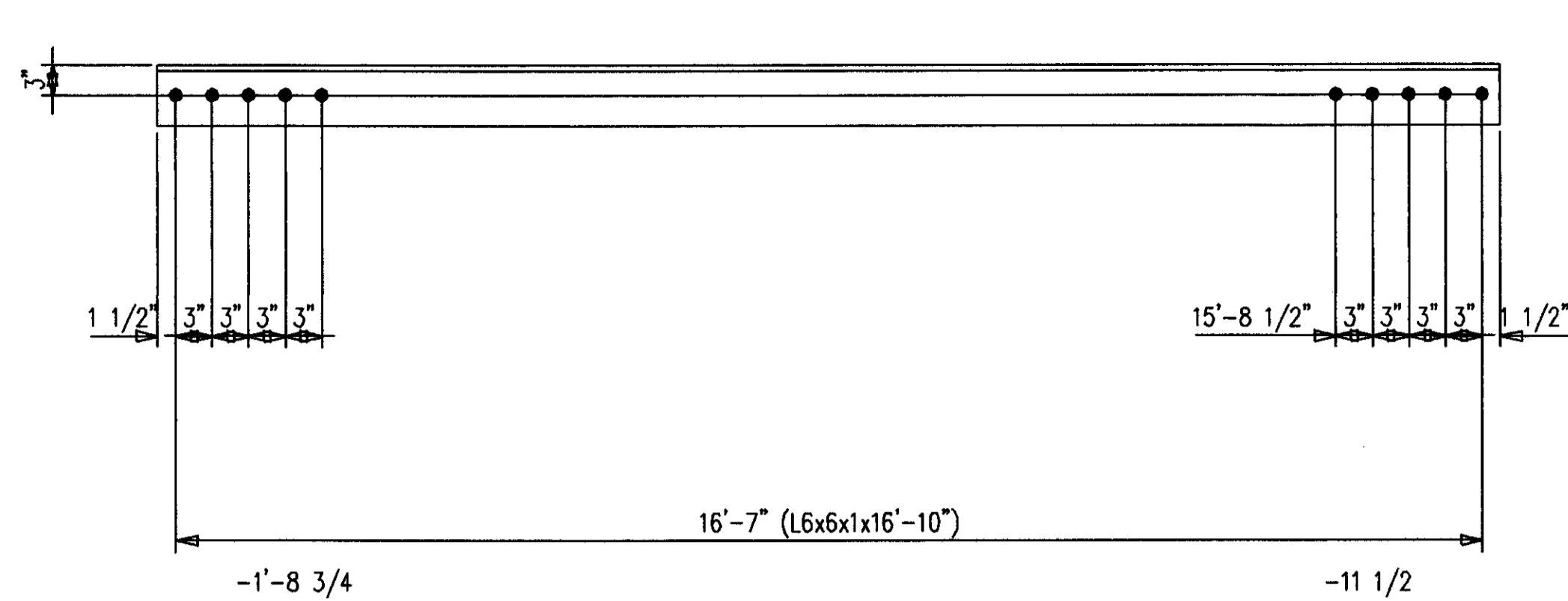
**SHOP NOTES:**

1. PRIMER ONLY 3" AROUND ALL HOLES UNLESS NOTED PF(PRIMER/FINISH).
2. P=PRIMER ONLY AS DIMENSIONED.
3. NP=NO PAINT IN 3" WIDE STRIP, CENTER OF BEAM, FULL LENGTH.

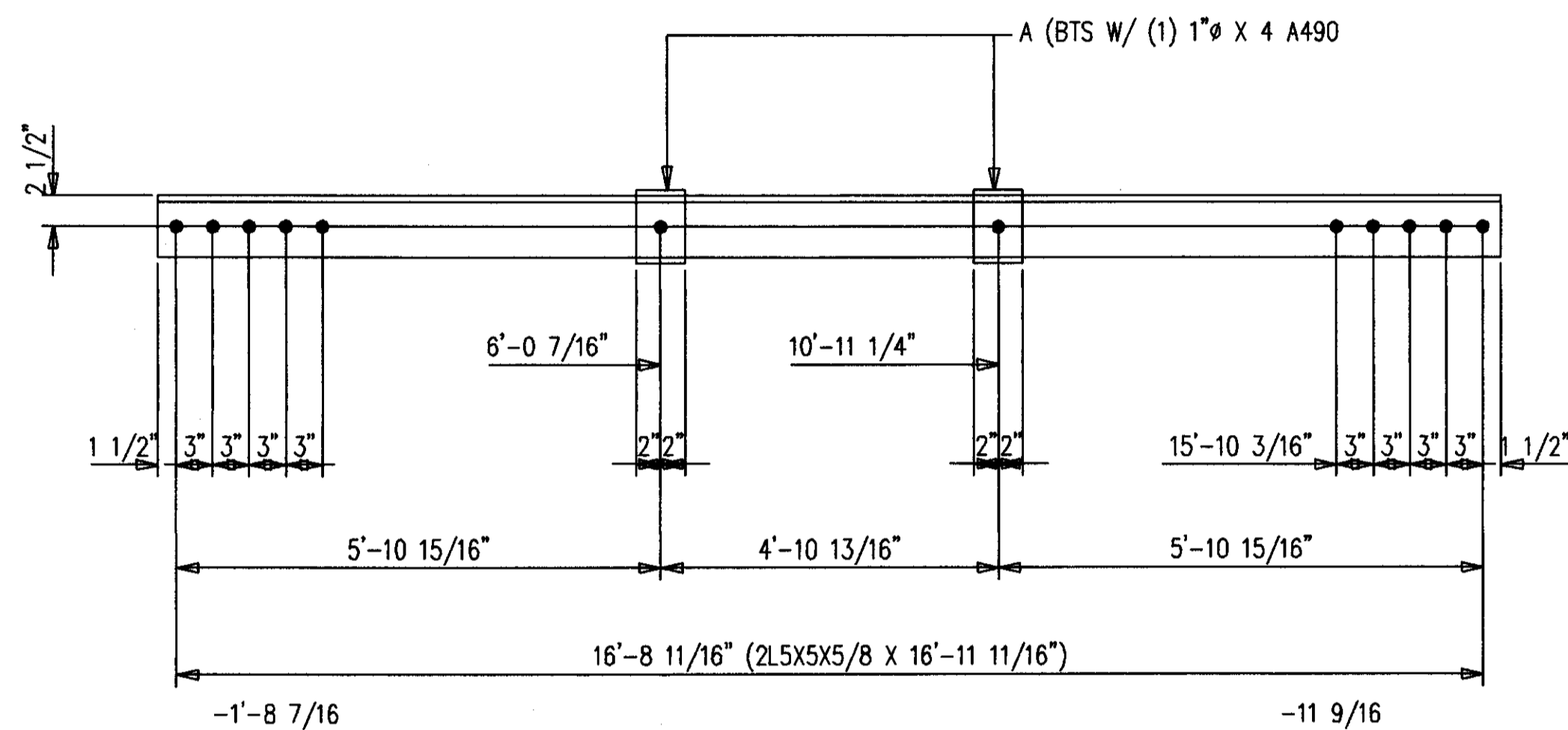
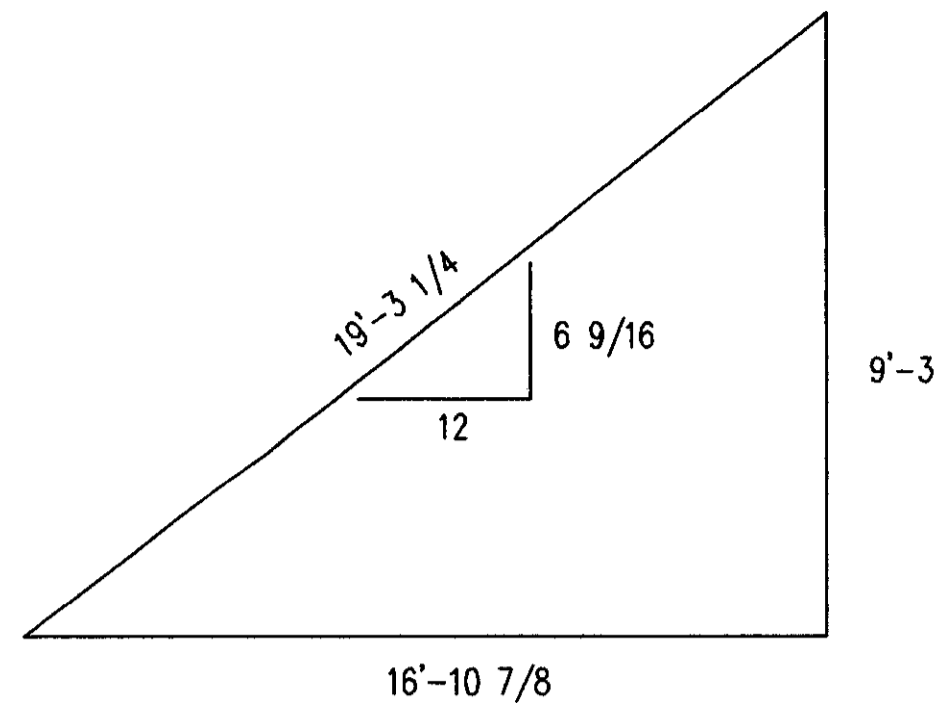
**AS BUILT**  
 NAME: *Max Hughes*  
 DATE:

DATE	APP	SHOP	FIELD

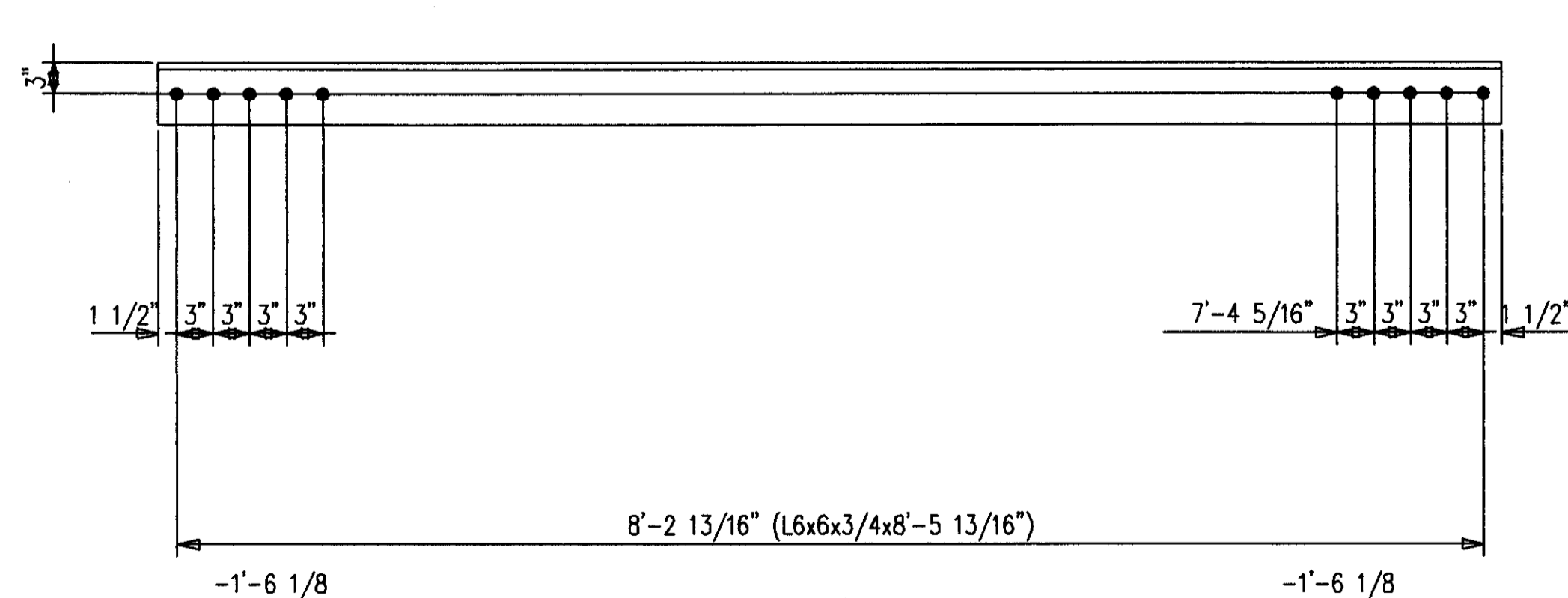
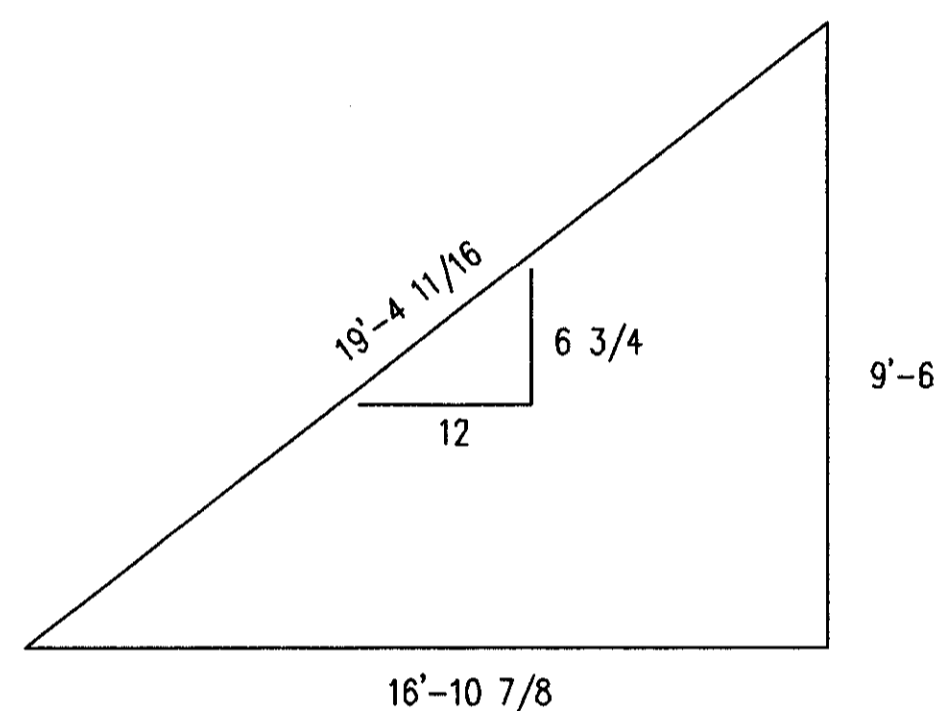
NO.	DATE	REVISION DESCRIPTION	DWN	CRD	
CONTRACTOR TO CHECK ALL DIMENSIONS AT JOB AS MID STATES STEEL PRODUCTS CO. ASSUMES NO RESPONSIBILITY FOR GENERAL BUILDING DIMENSIONS. NO BACK CHARGES PERTAINING TO THIS WORK WILL BE ACCEPTED WITHOUT PRIOR AUTHORIZATION BY MID STATES STEEL PRODUCTS CO.					
MATERIAL U/N	A36	DRAWN BY	JDL	JOB NAME	COMMONWEALTH STADIUM EXPANSION
OPEN HOLES U/N	1 1/16	DATE	9/98	JOB LOCATION	UNIVERSITY OF KENTUCKY
WELD ELECTRODE U/N	E70XX	CHECKED BY	GCL	CONTRACTOR	TURNER CONSTRUCTION COMPANY
SHOP PAINT	SEE SPECS	DATE	9/98	ENGINEER	WALTER P. MOORE AND ASSOCIATES, INC.
DRAWING TITLE COLUMN					
P.O. BOX 11128-2044 BUCK LANE LEXINGTON, KENTUCKY 40511 PHONE: 606-233-4344 FAX: 606-233-4346				ORDER NO. P3524	
FABRICATORS OF STRUCTURAL AND MISCELLANEOUS STEEL				SHEET NO. 437	



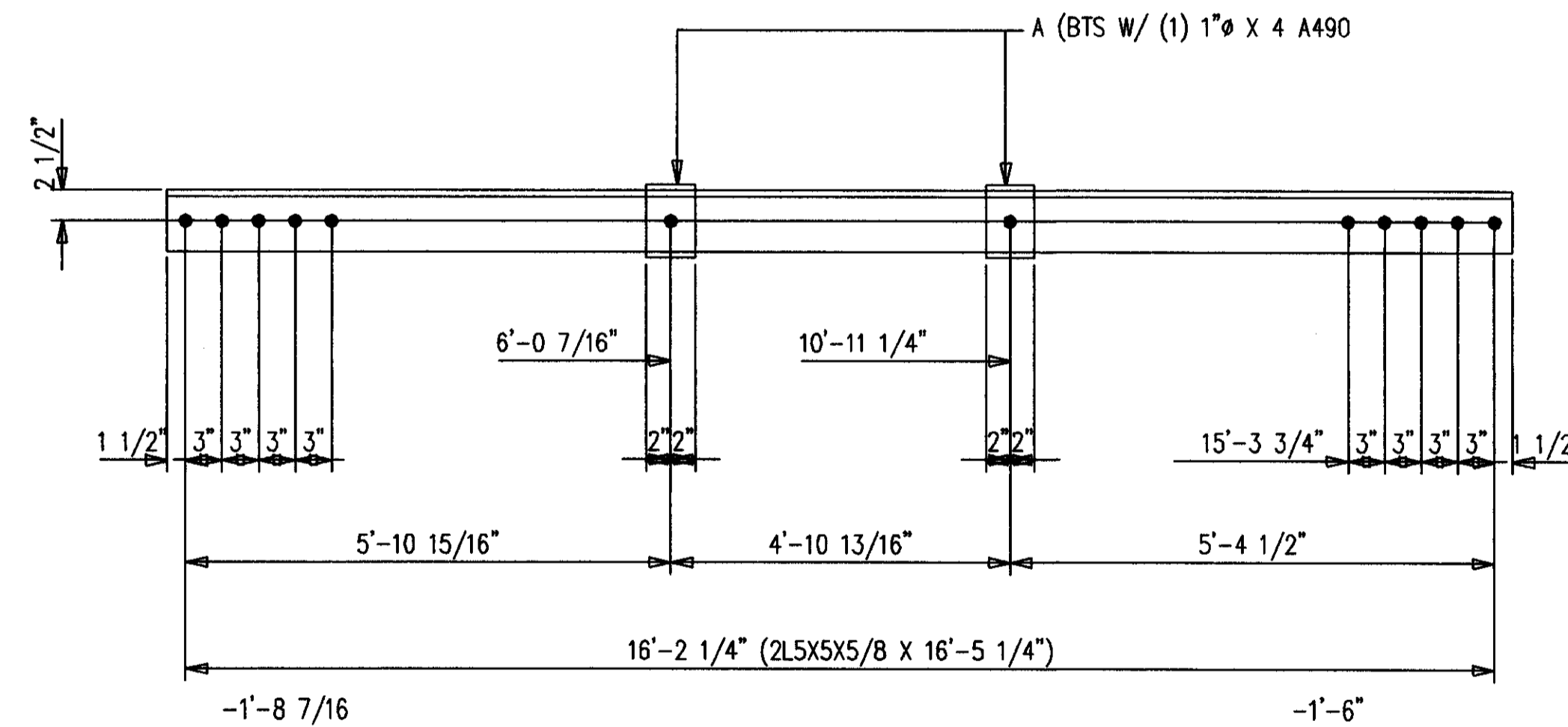
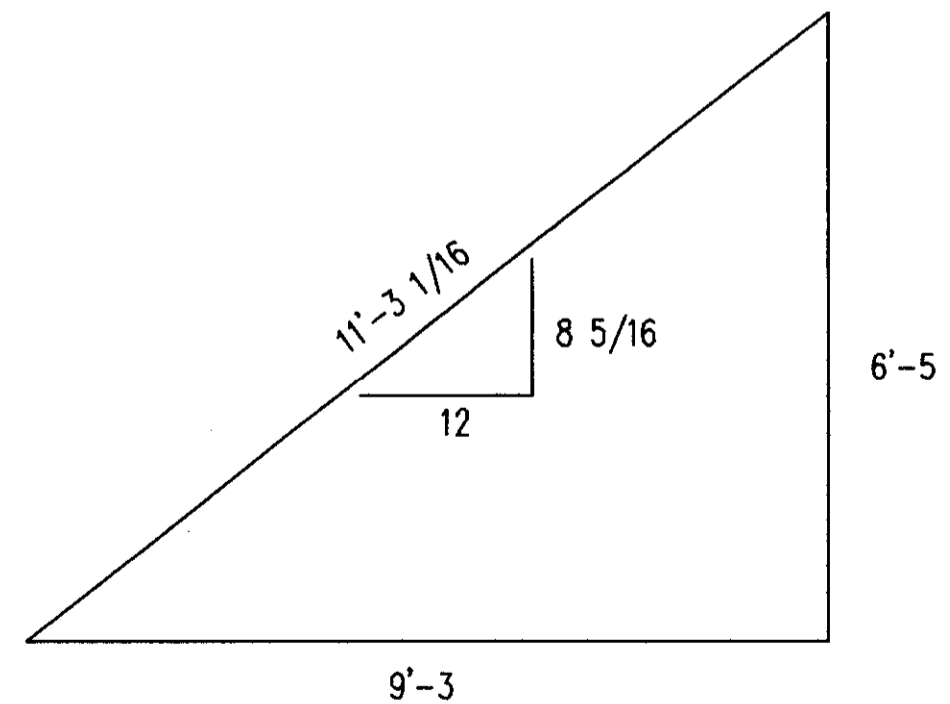
4-DIAGONALS 438D1  
40-A490 1 X 3 1/2 F1656H



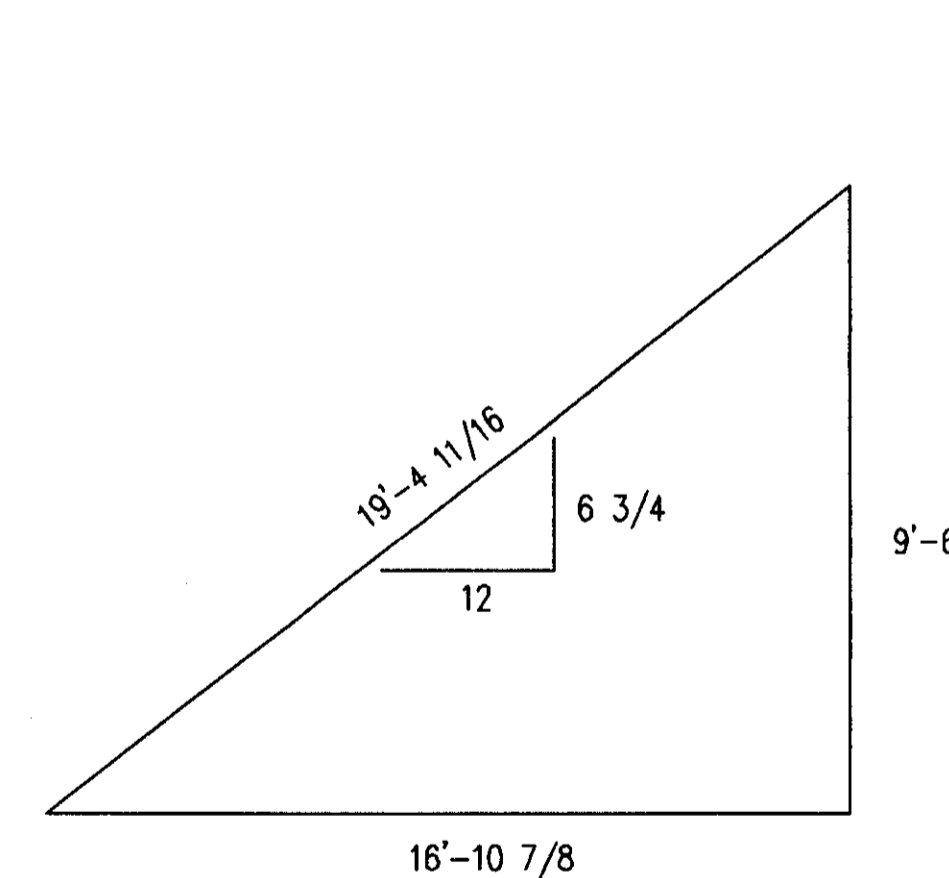
2-DIAGONALS 438D2  
20-A490 1 X 4 F1664H



4-DIAGONALS 438D3  
40-A490 1 X 3/4 F1652H



2-DIAGONALS 438D4  
20-A490 1 X 4 F1664H



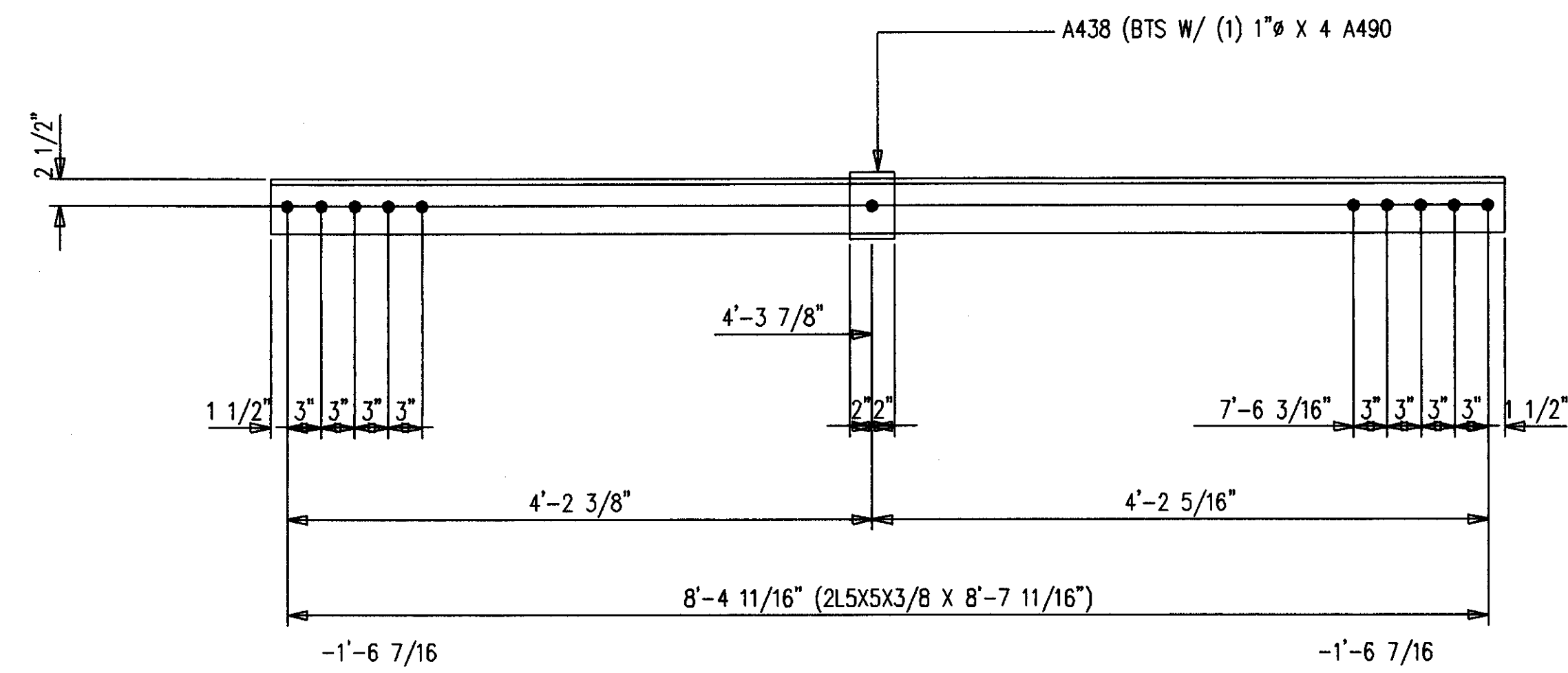
SHOP NOTES:  
1. PRIMER ONLY 3" AROUND ALL HOLES UNLESS NOTED PF(PRIMER/FINISH).  
2. P=PRIMER ONLY AS DIMENSIONED.  
3. NP=NO PAINT IN 3" WIDE STRIP, CENTER OF BEAM, FULL LENGTH.

BILL OF MATERIAL

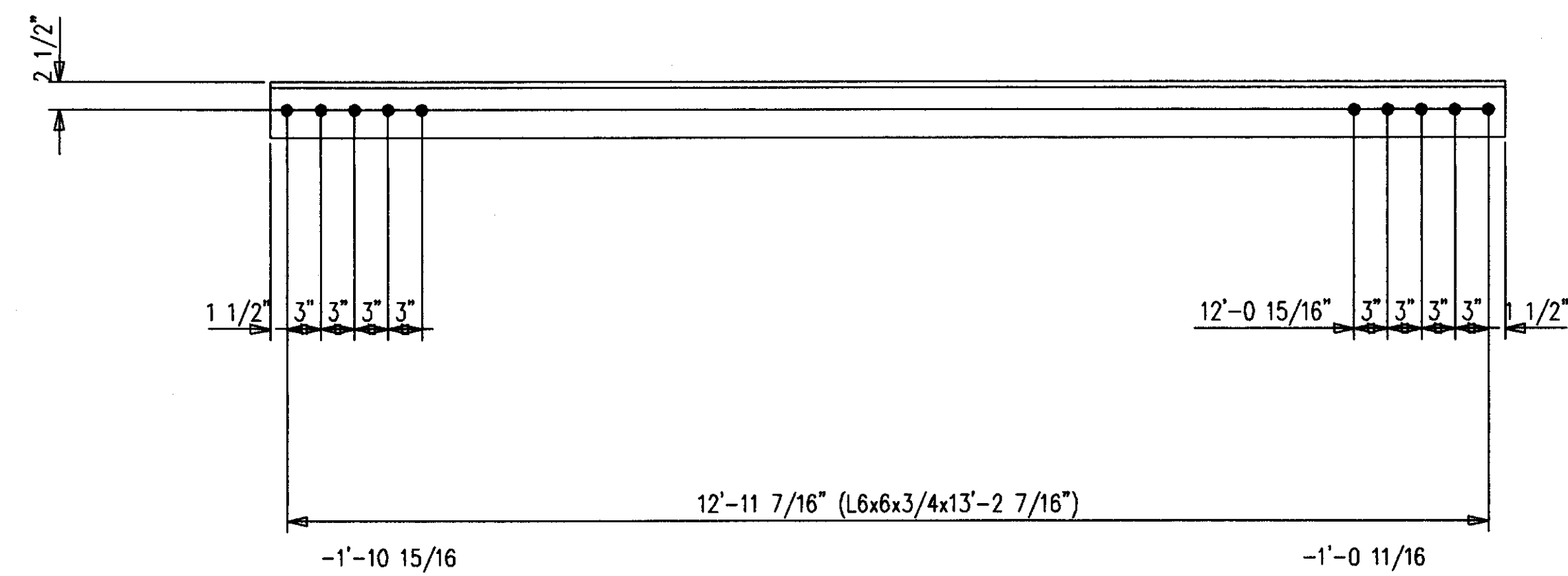
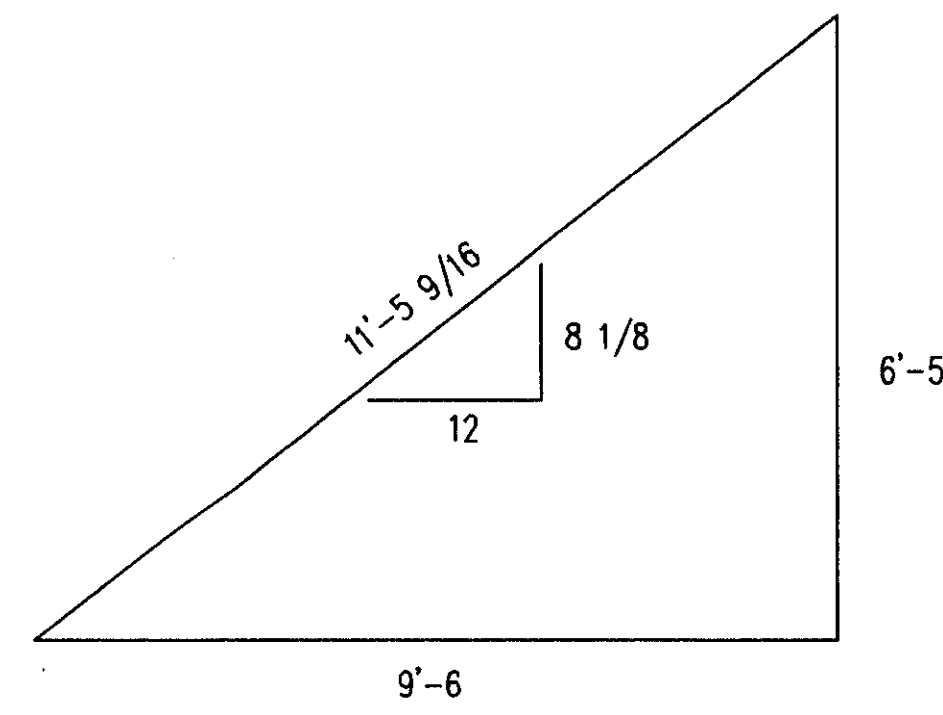
MARK	QUAN.	DESCRIPTION	LENGTH		REMARKS
			FT.	IN.	
438D1	4	DIAGONALS			
438D1	4	L6X6X1	16	10	P
438D2	2	DIAGONALS			
438D2	4	L5X5X5/8	16	11-11/16	P
A438	4	FB1X4	0	6	P
S1664H	4	A490 1X4			
438D3	4	DIAGONALS			
438D3	4	L6X6X3/4	8	5-13/16	P
438D4	2	DIAGONALS			
438D4	4	L5X5X5/8	16	5-1/4	P
A438	4	FB1X4	0	6	P
S1664H	4	A490 1X4			
		FIELD BOLTS			
F1652H	41	A490 1X3-1/4			
F1656H	42	A490 1X3-1/2			
F1664H	41	A490 1X4			
F16LI	122	A LOAD IND 1			

AS BUILT  
NAME: *Map*  
DATE: AUG 16 1999

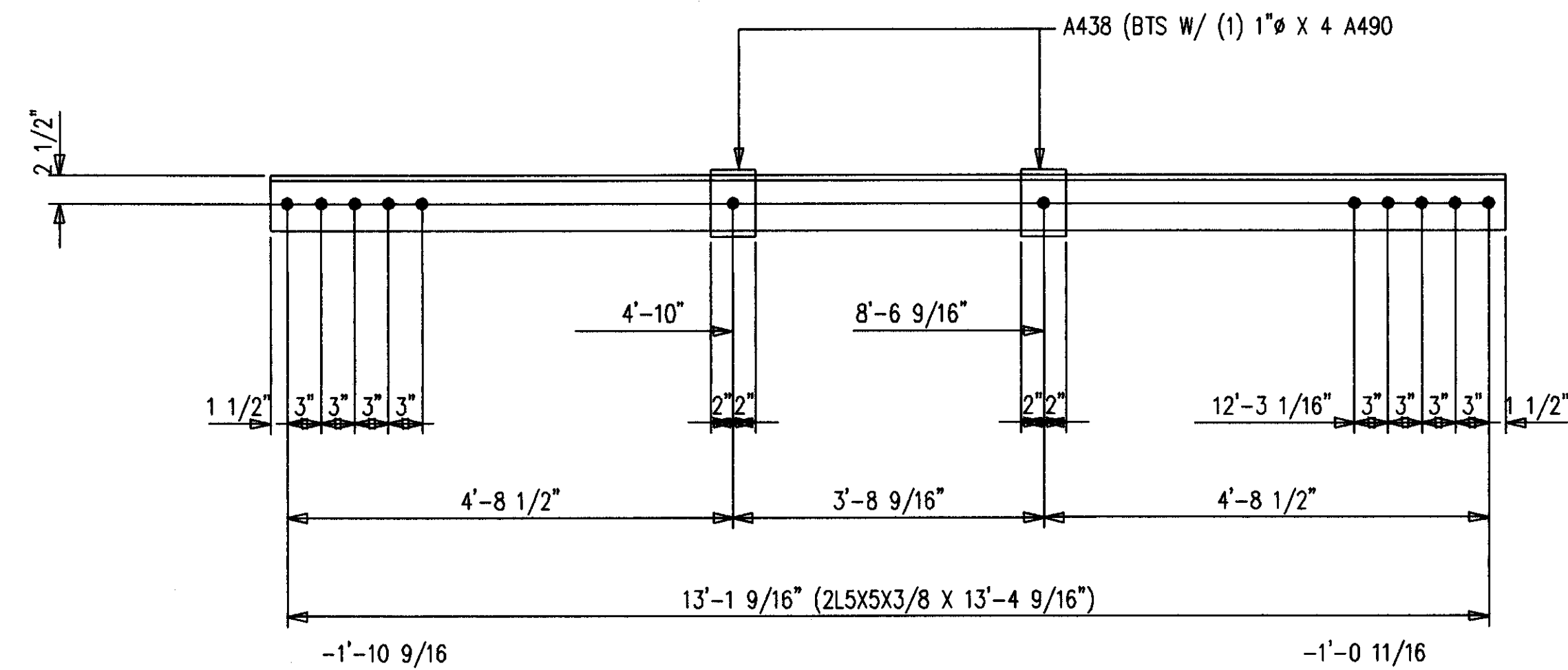
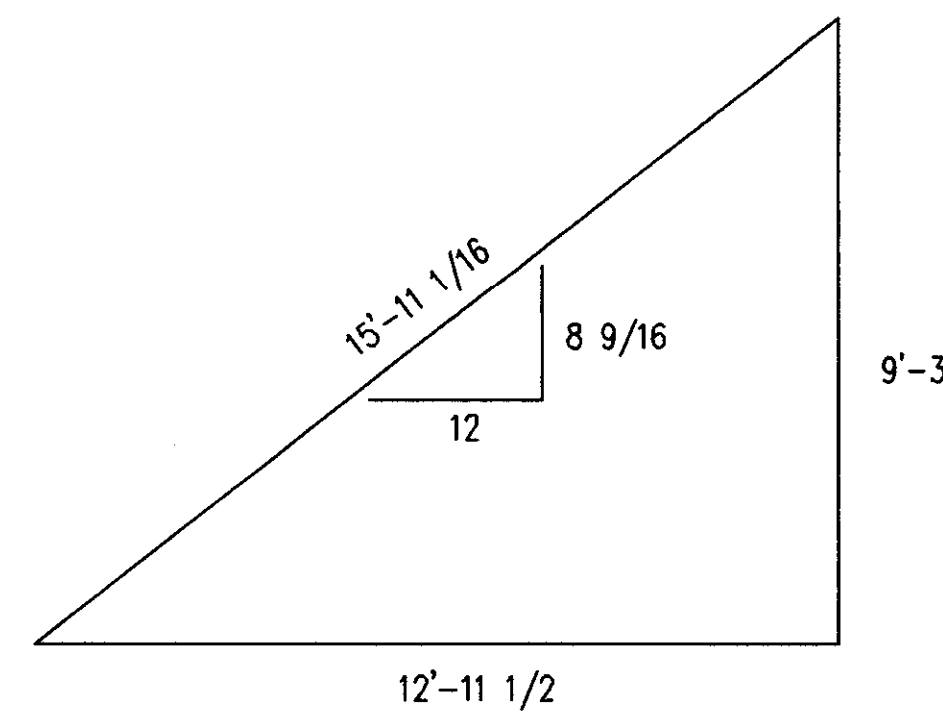
ALL RE-ENTRANT CUTS MIN: 1/2" RAD. U/W		WELD ELECTRODE U/W E70XX	
ALL A325 BOLTS w/ONE HARD WASH. AND SHY HEX NUT		SHOP PAINT SEE SPECS	
ALL A307 BOLTS w/HEX NUT		DRAWING TITLE: DIAGONALS	
DATE	APP	SHOP	FIELD
			P.O. BOX 11128-2044 BUCK LANE LEXINGTON, KENTUCKY 40511 PHONE: 606-233-4344 FAX: 606-233-4346
ORDER NO. P3524 SHEET NO. 438			



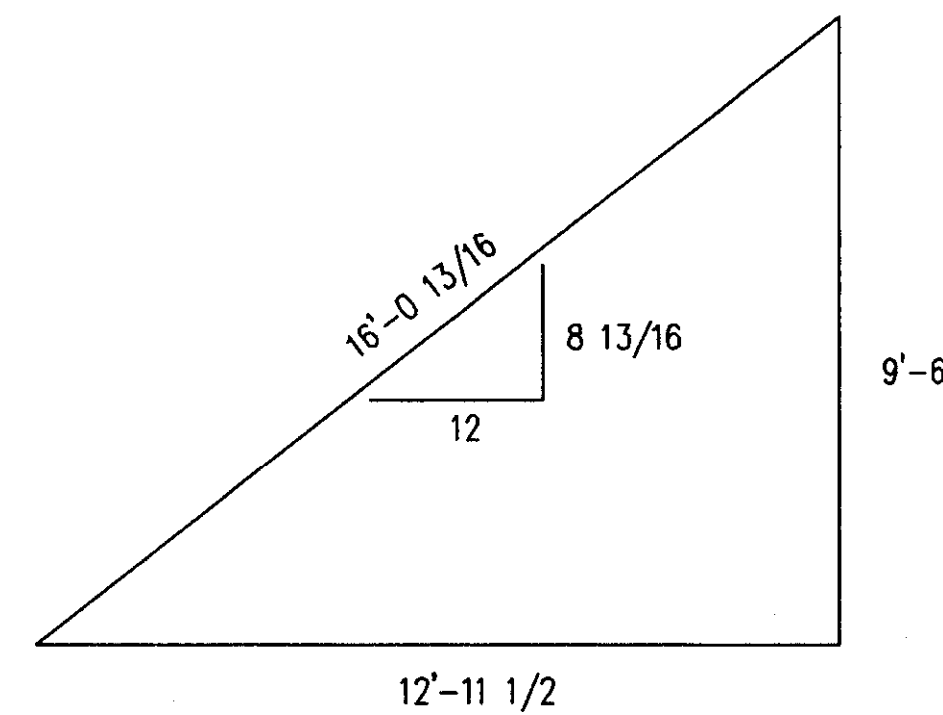
4-DIAGONALS 439D1  
40-A490 1 X 4 F1664H



4-DIAGONALS 439D2  
40-A490 1 X 3/4 F1652H



4-DIAGONALS 439D3  
40-A490 1 X 4 F1664H



SHOP NOTES:  
1. PRIMER ONLY 3" AROUND ALL HOLES UNLESS NOTED PF(PRIMER/FINISH).  
2. P=PRIMER ONLY AS DIMENSIONED.  
3. NP=NO PAINT IN 3" WIDE STRIP, CENTER OF BEAM, FULL LENGTH.

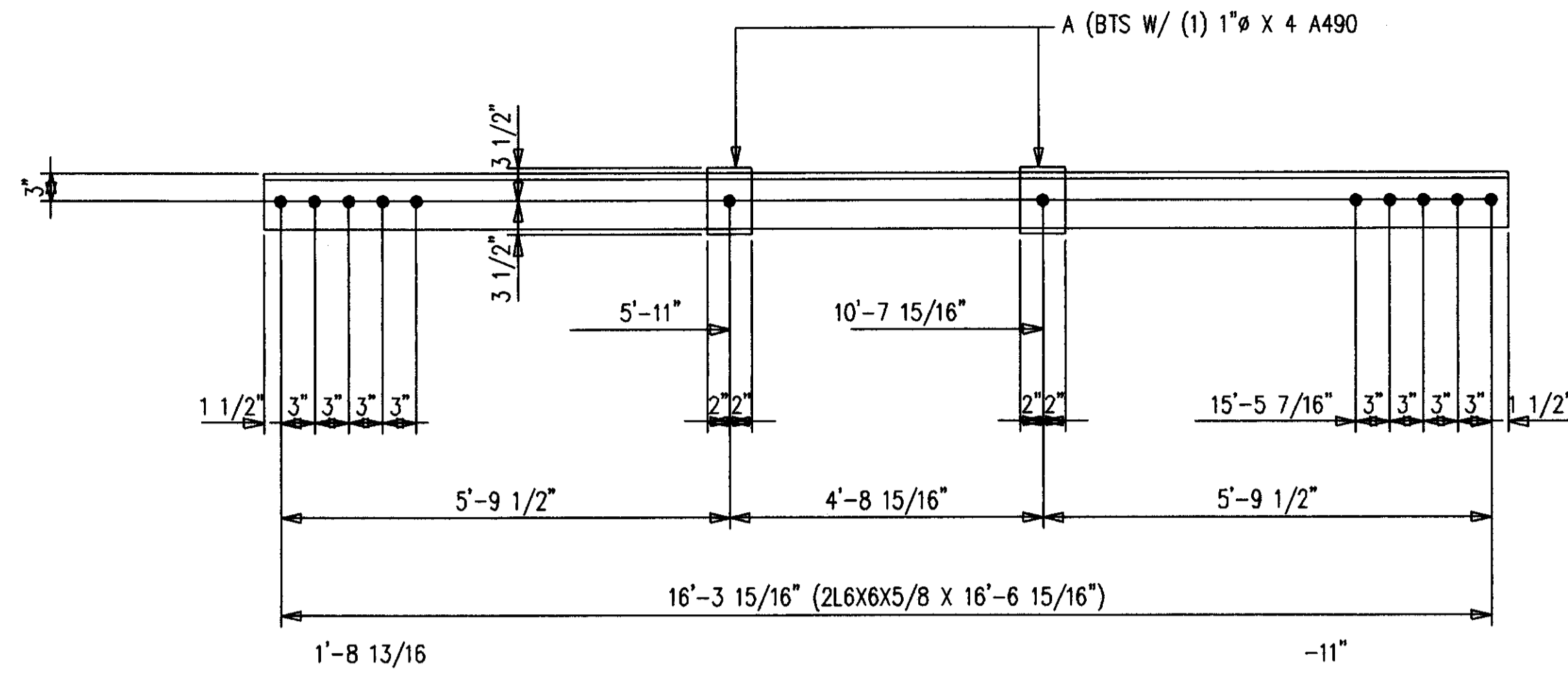
BILL OF MATERIAL

MARK	QUAN.	DESCRIPTION	LENGTH		REMARKS
			FT.	IN.	
439D1	4	DIAGONALS			
439D1	8	L5X5X3/8	8	7-11/16	P
A438	4	FB1X4	0	6	P
S1664H	4	A490 1X4			
439D2	4	DIAGONALS			
439D2	4	L6X6X3/4	13	2-7/16	P
439D3	4	DIAGONALS			
439D3	8	L5X5X3/8	13	4-9/16	P
A438	8	FB1X4	0	6	P
S1664H	8	A490 1X4			
		FIELD BOLTS			
F1652H	41	A490 1X3-1/4			
F1664H	81	A490 1X4			
F16LI	122	A LOAD IND 1			

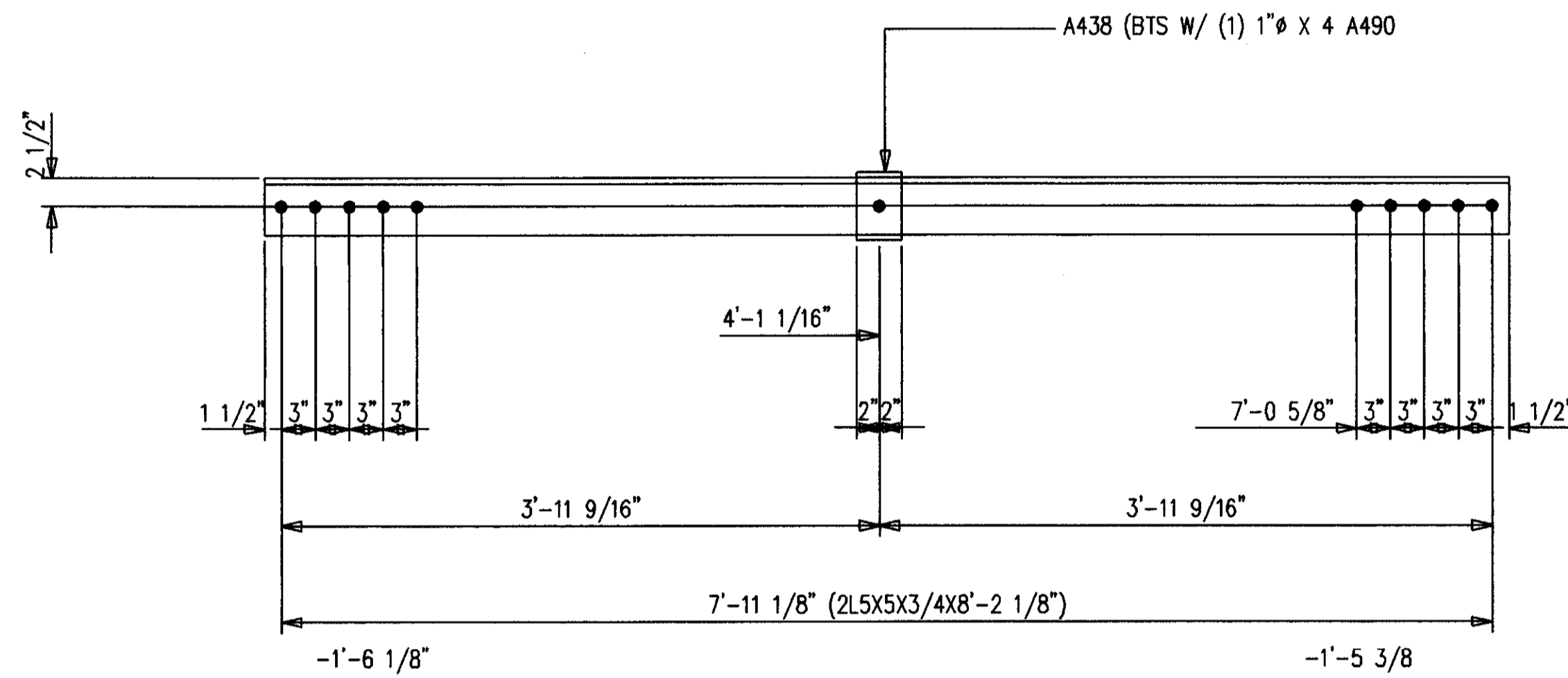
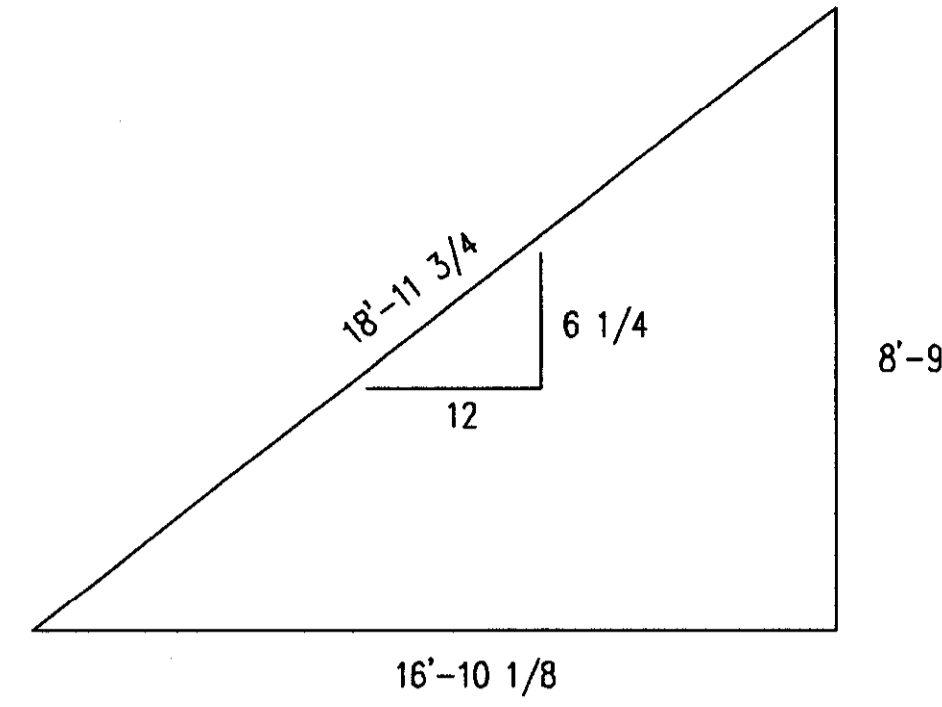
AS BUILT  
NAME: *Max Hensler*  
DATE: **AUG 16 1999**

DATE	APP	SHOP	FIELD

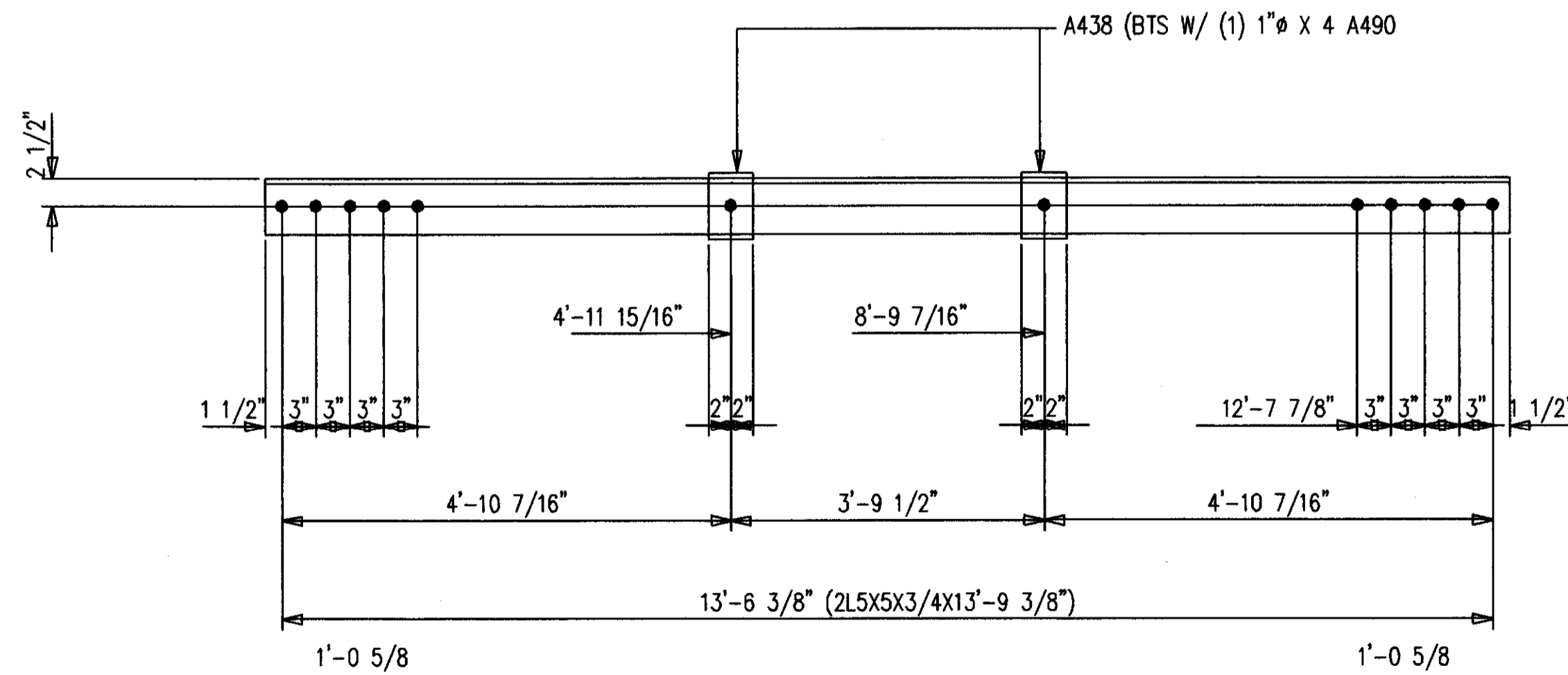
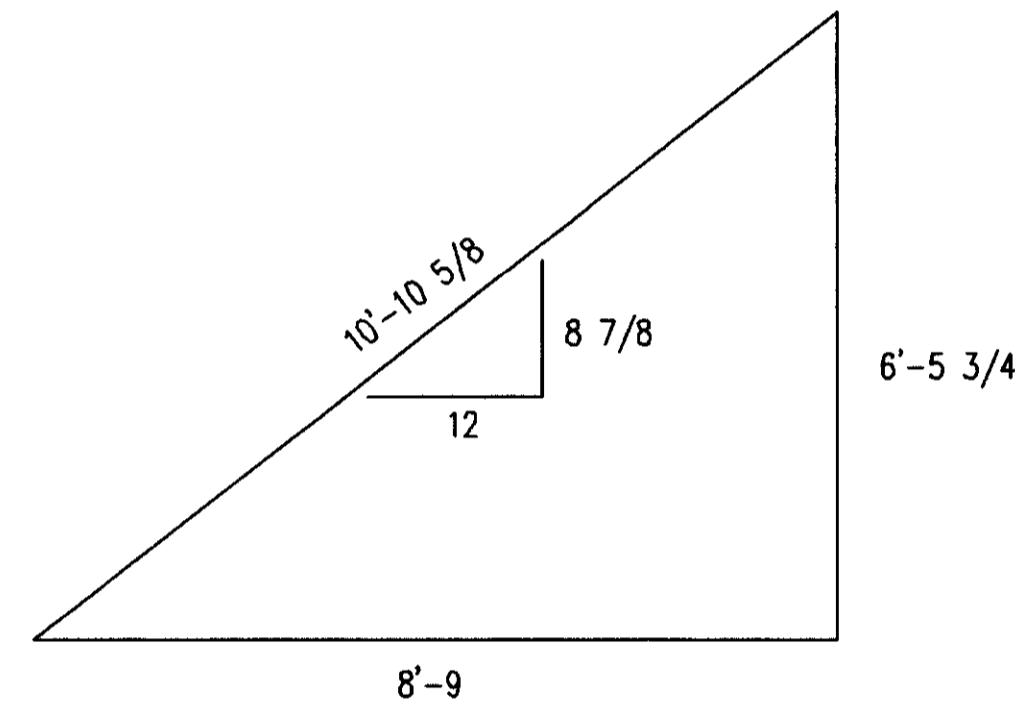
NO. DATE		REVISION DESCRIPTION		DRW L CKD	
CONTRACTOR TO CHECK ALL DIMENSIONS AT JOB AS MID STATES STEEL PRODUCTS CO. ASSUMES NO RESPONSIBILITY FOR GENERAL BUILDING DIMENSIONS. NO BACK CHARGES PERTAINING TO THIS WORK WILL BE ACCEPTED WITHOUT PRIOR AUTHORIZATION BY MID STATES STEEL PRODUCTS CO.					
MATERIAL U/N A36	DRAWN BY JDL	JOB NAME	COMMONWEALTH STADIUM EXPANSION		
OPEN HOLES U/N 1 1/16"	DATE 9/98	JOB LOCATION	UNIVERSITY OF KENTUCKY		
WELD ELECTRODE U/N E70XX	CHECKED BY GCL	CONTRACTOR	TURNER CONSTRUCTION COMPANY		
SHOP PAINT SEE SPECS	DATE 9/98	ENGINEER	WALTER P. MOORE AND ASSOCIATES, INC.		
DRAWING TITLE: DIAGONALS					
P.O. BOX 11128-2044 BUCK LANE LEXINGTON, KENTUCKY 40511 PHONE: 606-233-4344 FAX: 606-233-4346			ORDER NO.	P3524	
FABRICATORS OF STRUCTURAL AND MISCELLANEOUS STEEL				SHEET NO.	439



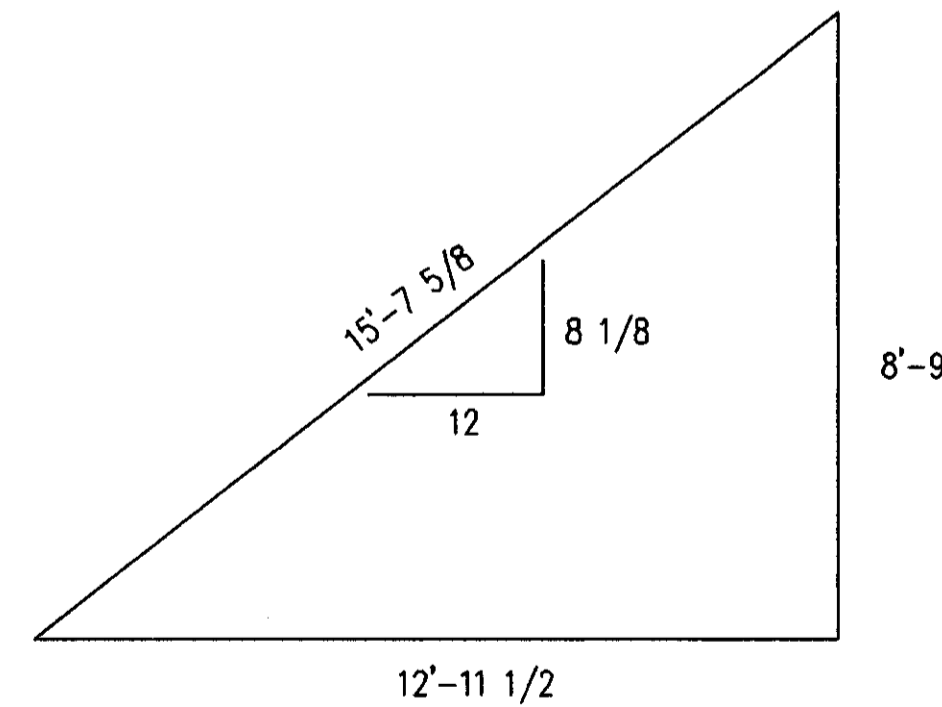
4-DIAGONALS 440D1  
40-A490 1 X 4 F1664H



4-DIAGONALS 440D2  
40-A490 1 X 4 F1664H



4-DIAGONALS 440D3  
40-A490 1 X 4 F1664H



SHOP NOTES:  
1. PRIMER ONLY 3" AROUND ALL HOLES UNLESS NOTED PF(PRIMER/FINISH).  
2. P=PRIMER ONLY AS DIMENSIONED.  
3. NP=NO PAINT IN 3" WIDE STRIP, CENTER OF BEAM, FULL LENGTH.

BILL OF MATERIAL

MARK	QUAN.	DESCRIPTION	LENGTH		REMARKS
			FT.	IN.	
440D1	4	DIAGONALS			
440D1	8	L6X6X5/8	16	6-15/16	P
A440	8	F81X4	0	7	P
S1664H	8	A490 1X4			
440D2	4	DIAGONALS			
440D2	8	L5X5X3/4	8	2-1/8	P
A438	4	F81X4	0	6	P
S1664H	4	A490 1X4			
440D3	4	DIAGONALS			
440D3	8	L5X5X3/4	13	9-3/8	P
A438	8	F81X4	0	6	P
S1664H	8	A490 1X4			
		FIELD BOLTS			
F1664H	122	A490 1X4			
F16LI	122	A LOAD IND 1			

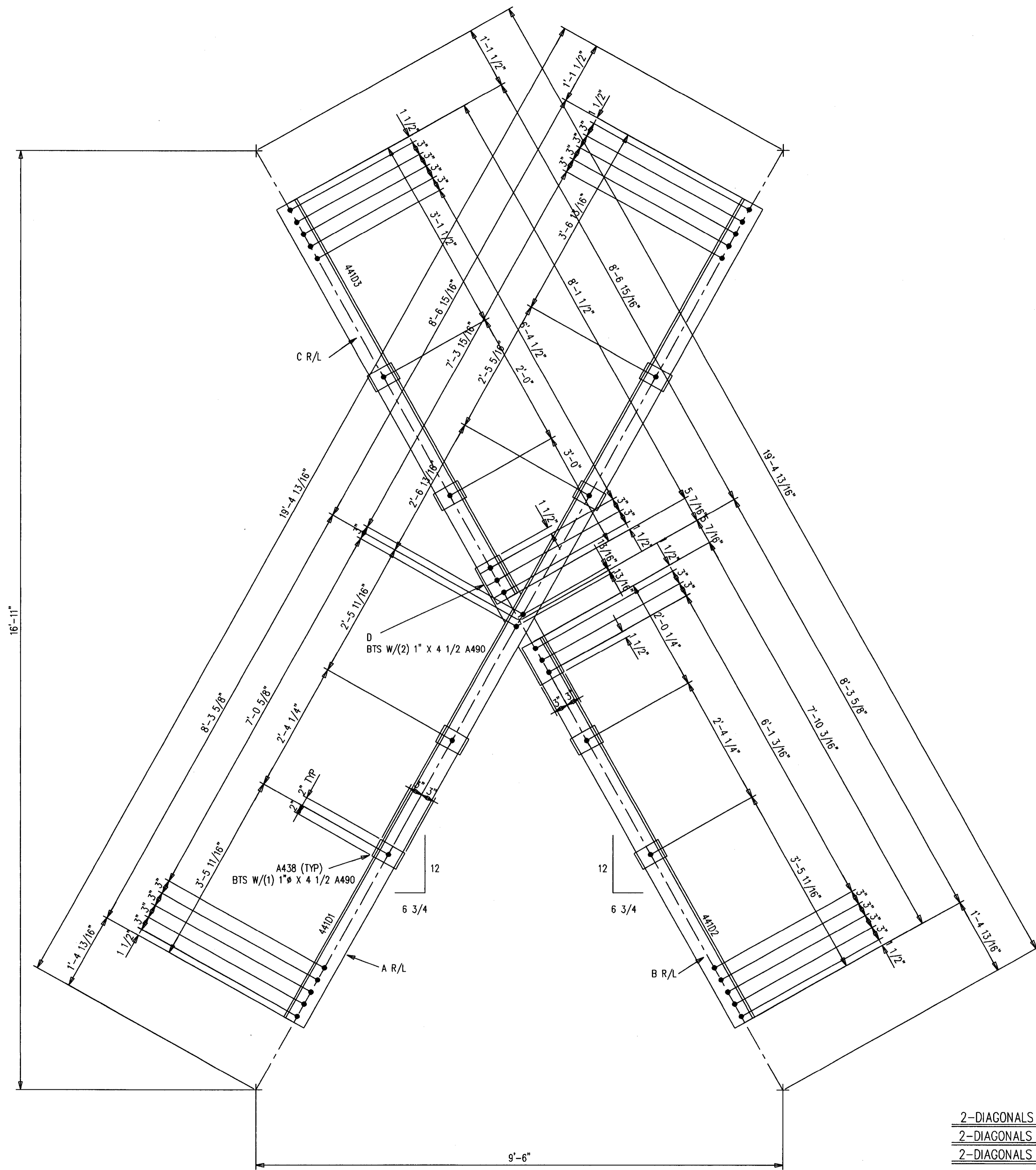
AS BUILT

NAME: *Max Hughes*  
DATE: AUG 18 1999

ALL RE-ENTRANT GLUITS  
MIN. 1/2" RAD. U/N  
ALL A325 BOLTS W/ONE  
HARD WASH. AND HVY HEX NUT  
ALL A307 BOLTS  
W/HEX NUT

DATE	APP	SHOP	FIELD

NO.	DATE	REVISION DESCRIPTION	DWN	CHKD	
CONTRACTOR TO CHECK ALL DIMENSIONS AT JOB AS MID STATES STEEL PRODUCTS CO. ASSUMES NO RESPONSIBILITY FOR GENERAL BUILDING DIMENSIONS. NO BACK CHARGES PERTAINING TO THIS WORK WILL BE ACCEPTED WITHOUT PRIOR AUTHORIZATION BY MID STATES STEEL PRODUCTS CO.					
MATERIAL U/N	A36	DRAWN BY	JDL	JOB NAME	COMMONWEALTH STADIUM EXPANSION
OPEN HOLES U/N	1 1/16"	DATE	9/98	JOB LOCATION	UNIVERSITY OF KENTUCKY
WELD ELECTRODE U/N	E70XX	CHECKED BY	GCL	CONTRACTOR	TURNER CONSTRUCTION COMPANY
SHOP PAINT	SEE SPECS	DATE	9/98	ENGINEER	WALTER P. MOORE AND ASSOCIATES, INC.
DRAWING TITLE	DIAGONALS				
				ORDER NO.	P3524
P.O. BOX 11128-2044 BUCK LANE LEXINGTON, KENTUCKY 40511 PHONE: 606-233-4544 FAX: 606-233-4346				SHEET NO.	440
FABRICATORS OF STRUCTURAL AND MISCELLANEOUS STEEL					



2-DIAGONALS 441D1  
 2-DIAGONALS 441D2  
 2-DIAGONALS 441D3  
 52-A490 1 X 4 1/2 F1652H

SHOP NOTES:  
 1. PRIMER ONLY 3" AROUND ALL HOLES UNLESS NOTED PF(PRIMER/FINISH).  
 2. P=PRIMER ONLY AS DIMENSIONED.  
 3. NP=NO PAINT IN 3" WIDE STRIP, CENTER OF BEAM, FULL LENGTH.

BILL OF MATERIAL

MARK	QUAN.	DESCRIPTION	LENGTH		REMARKS
			FT.	IN.	
441D1	2	DIAGONALS			
A438	8	FBI X4	0	6	P
A441 L	2	L6X6X1/2	16	10-9/16	P
A441 R	2	L6X6X1/2	16	10-9/16	P
D441	2	FBI X6	2	4-7/8	P
S1672H	12	A490 1X4-1/2			
S16LI	12	A LOAD IND 1			
441D2	2	DIAGONALS			
A438	4	FBI X4	0	6	P
B441 L	2	L6X6X1/2X	7	10-3/16	P
B441 R	2	L6X6X1/2	7	10-3/16	P
S1672H	4	A490 1X4-1/2			
S16LI	4	A LOAD IND 1			
441D3	2	DIAGONALS			
A438	4	FBI X4	0	6	P
C441 L	2	L6X6X1/2	8	1-1/2	P
C441 R	2	L6X6X1/2	8	1-1/2	P
S1672H	4	A490 1X4-1/2			
S16LI	4	A LOAD IND 1			
		FIELD BOLTS			
F1672H	53	A490 1X4-1/2			
F16LI	53	A LOAD IND 1			

AS BUILT  
 NAME: *Map Higher*  
 DATE: AUG 16 1999

DATE	APP.	SHOP	FIELD

NO.	DATE	REVISION DESCRIPTION	DWN.	CHKD.

CONTRACTOR TO CHECK ALL DIMENSIONS AT JOB AS MID STATES STEEL PRODUCTS CO. ASSUMES NO RESPONSIBILITY FOR GENERAL BUILDING DIMENSIONS. NO BACK CHARGES PERTAINING TO THIS WORK WILL BE ACCEPTED WITHOUT PRIOR AUTHORIZATION BY MID STATES STEEL PRODUCTS CO.

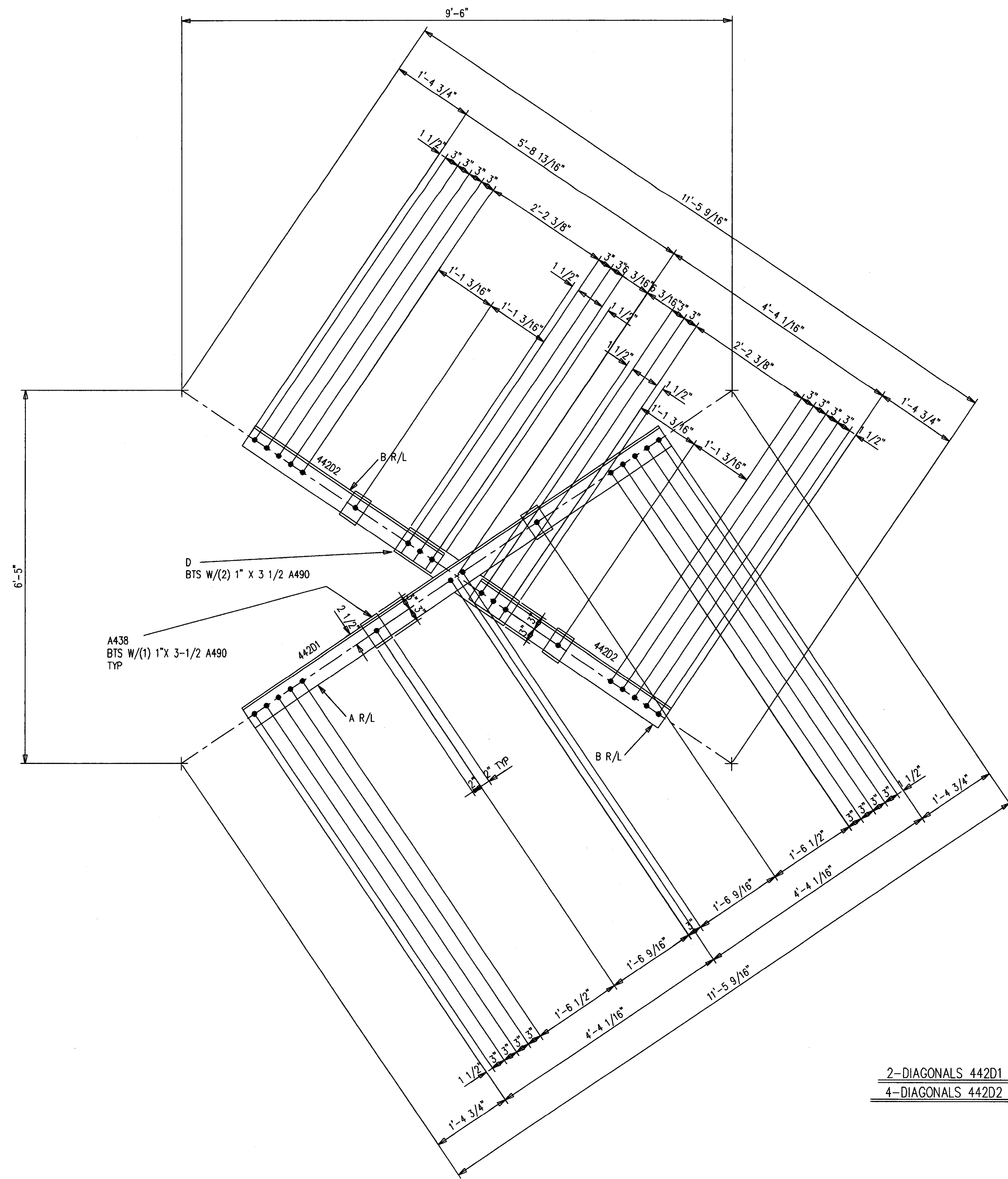
MATERIAL U/N	A36	DRAWN BY	JDL	JOB NAME	COMMONWEALTH STADIUM EXPANSION
OPEN HOLES U/N	1 1/16	DATE	9/98	JOB LOCATION	UNIVERSITY OF KENTUCKY
WELD ELECTRODE U/N	E70XX	CHECKED BY	GCL	CONTRACTOR	TURNER CONSTRUCTION COMPANY
SHOP PAINT	SEE SPECS	DATE	9/98	ENGINEER	WALTER P. MOORE AND ASSOCIATES, INC.
DRAWING TITLE	DIAGONALS				

ORDER NO. P3524  
 SHEET NO. 441

MID STATES STEEL PRODUCTS CO.  
 FABRICATORS OF STRUCTURAL AND MISCELLANEOUS STEEL

P.O. BOX 11128-2044 BUCK LANE  
 LEXINGTON, KENTUCKY 40511  
 PHONE: 606-233-4344 FAX: 606-233-4346

Doc # 34816  
 A-2  
 206



2-DIAGONALS 442D1  
4-DIAGONALS 442D2

### BILL OF MATERIAL

MARK	QUAN.	DESCRIPTION	LENGTH		REMARKS
			FT.	IN.	
442D1	2	DIAGONALS			
A438	4	FB1X4	0	6	P
A442 L	2	L5X5X3/8	8	8-1/8	P
A442 R	2	L5X5X3/8	8	8-1/8	P
D442	2	FB1X6	2	3-3/8	P
S1656H	8	A490 1X3-1/2			
S16LI	8	A LOAD IND 1			
442D2	4	DIAGONALS			
A438	4	FB1X4	0	6	P
B442 L	4	L5X5X3/8	3	11-3/8	P
B442 R	4	L5X5X3/8	3	11-3/8	P
S1656H	4	A490 1X3-1/2			
S16LI	4	A LOAD IND 1			
		FIELD BOLTS			
F1656H	53	A490 1X3-1/2			
F16LI	53	A LOAD IND 1			

SHOP NOTES:  
 1. PRIMER ONLY 3" AROUND ALL HOLES UNLESS NOTED PF(PRIMER/FINISH).  
 2. P=PRIMER ONLY AS DIMENSIONED.  
 3. NP=NO PAINT IN 3" WIDE STRIP, CENTER OF BEAM, FULL LENGTH.

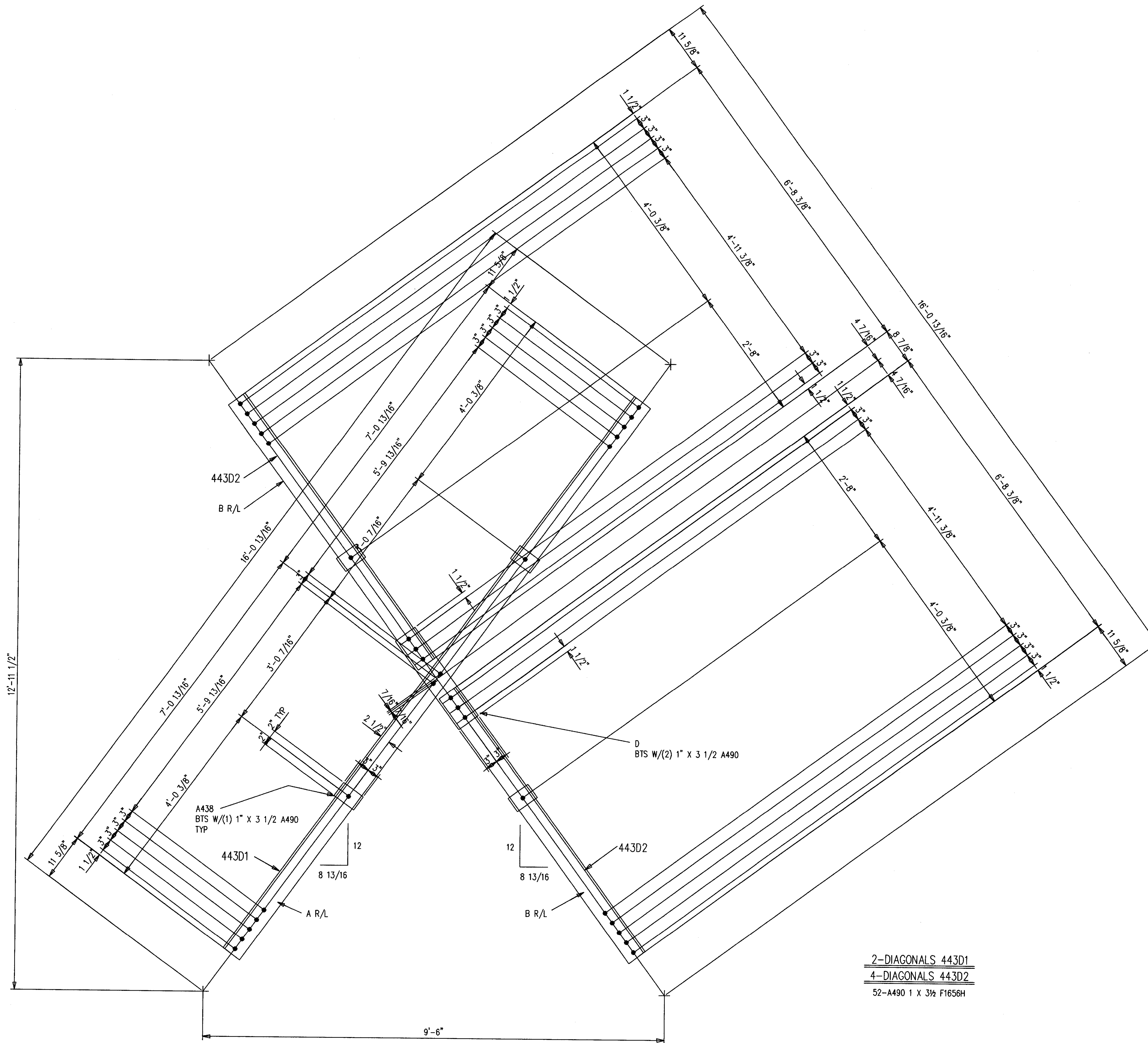
**AS BUILT**  
 NAME: *Max Hughes*  
 DATE: **AUG 16 1999**

DATE	APP.	SHOP	FIELD

NO. DATE		REVISION DESCRIPTION		DMN L CRD
CONTRACTOR TO CHECK ALL DIMENSIONS AT JOB AS MID STATES STEEL PRODUCTS CO. ASSUMES NO RESPONSIBILITY FOR GENERAL BUILDING DIMENSIONS. NO BACK CHARGES PERTAINING TO THIS WORK WILL BE ACCEPTED WITHOUT PRIOR AUTHORIZATION BY MID STATES STEEL PRODUCTS CO.				
MATERIAL U/N A36	DRAWN BY <i>JDL</i>	JOB NAME COMMONWEALTH STADIUM EXPANSION		
OPEN HOLES U/N 1 1/16"	DATE 9/98	JOB LOCATION UNIVERSITY OF KENTUCKY		
WELD ELECTRODE U/N E70XX	CHECKED BY <i>GCL</i>	CONTRACTOR TURNER CONSTRUCTION COMPANY		
SHOP PAINT SEE SPECS	DATE 9/98	ENGINEER WALTER P. MOORE AND ASSOCIATES, INC.		
ALL RE-ENTRANT CUTS MIN. 1/2" RAD. U/N		DRAWING TITLE DIAGONALS		
ALL A325 BOLTS w/ONE HARD WASH. AND HVY HEX NUT		P.O. BOX 11128-2044 BUCK LANE LEXINGTON, KENTUCKY 40511 PHONE: 606-233-4344 FAX: 606-233-4348		
ALL A307 BOLTS w/HEX NUT		ORDER NO. <b>P3524</b>		
		SHEET NO. <b>442</b>		
FABRICATORS OF STRUCTURAL AND MISCELLANEOUS STEEL				

BILL OF MATERIAL

MARK	QUAN.	DESCRIPTION	LENGTH		REMARKS
			FT.	IN.	
443D1	2	DIAGONALS			
A438	4	FB1X4	0	6	P
A443 L	2	L5X5X3/8	14	1-5/8	P
A443 R	2	L5X5X3/8	14	1-5/8	P
D443	2	FB1X6	2	2-7/8	P
S1656H	8	A490 1X3-1/2			
S16LI	8	A LOAD IND 1			
443D2	4	DIAGONALS			
A438	4	FB1X4	0	6	P
B443 L	4	L5X5X3/8	6	8-3/8	P
B443 R	4	L5X5X3/8	6	8-3/8	P
S1656H	4	A490 1X3-1/2			
S16LI	4	A LOAD IND 1			
		FIELD BOLTS			
F1656H	53	A490 1X3-1/2			
F16LI	53	A LOAD IND 1			



SHOP NOTES:  
 1. PRIMER ONLY 3" AROUND ALL HOLES UNLESS NOTED PF(PRIMER/FINISH).  
 2. P=PRIMER ONLY AS DIMENSIONED.  
 3. NP=NO PAINT IN 3" WIDE STRIP, CENTER OF BEAM, FULL LENGTH.

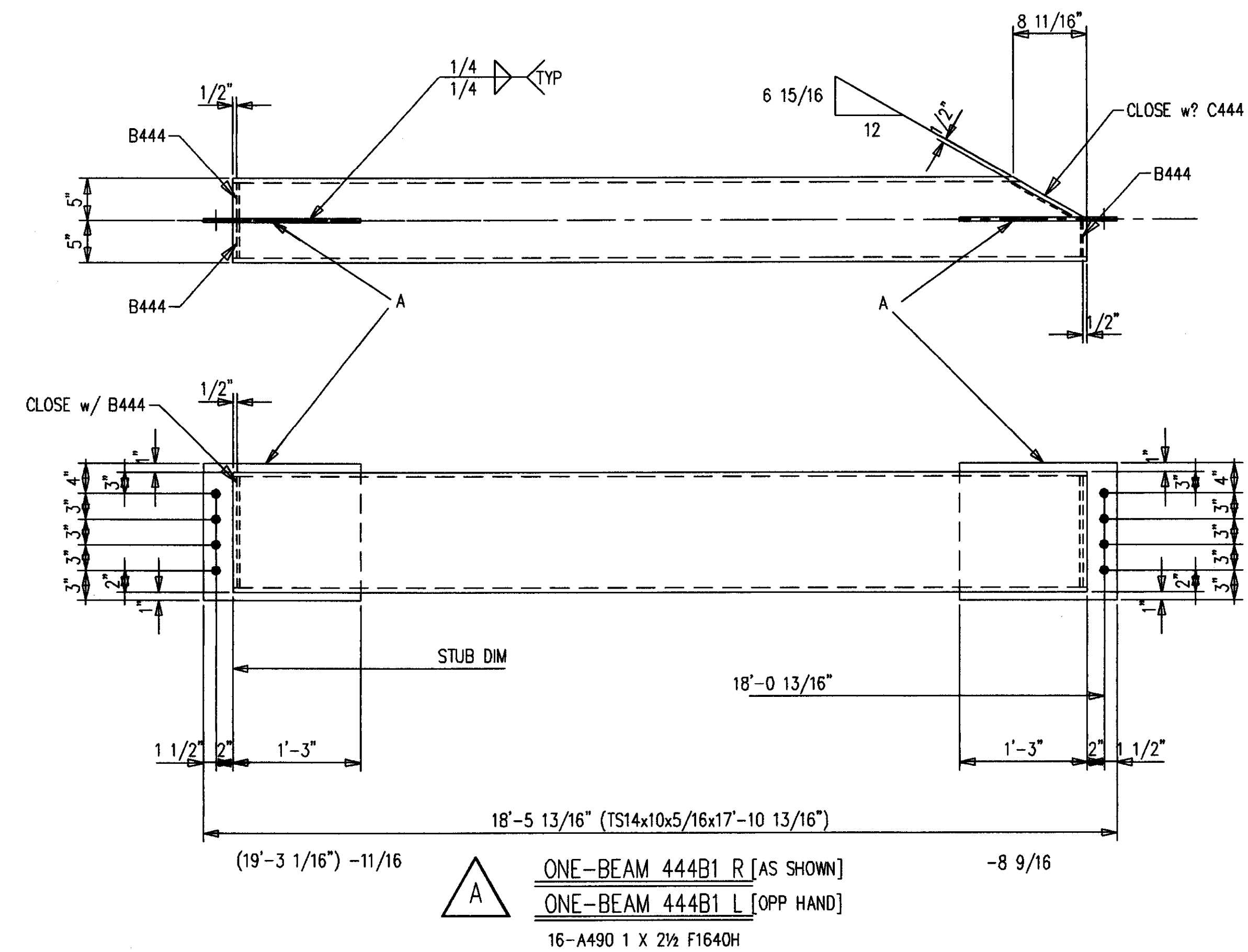
2-DIAGONALS 443D1  
 4-DIAGONALS 443D2  
 52-A490 1 X 3 1/2 F1656H

AS BUILT  
 NAME: *W. Hughes*  
 DATE: AUG 18 1999

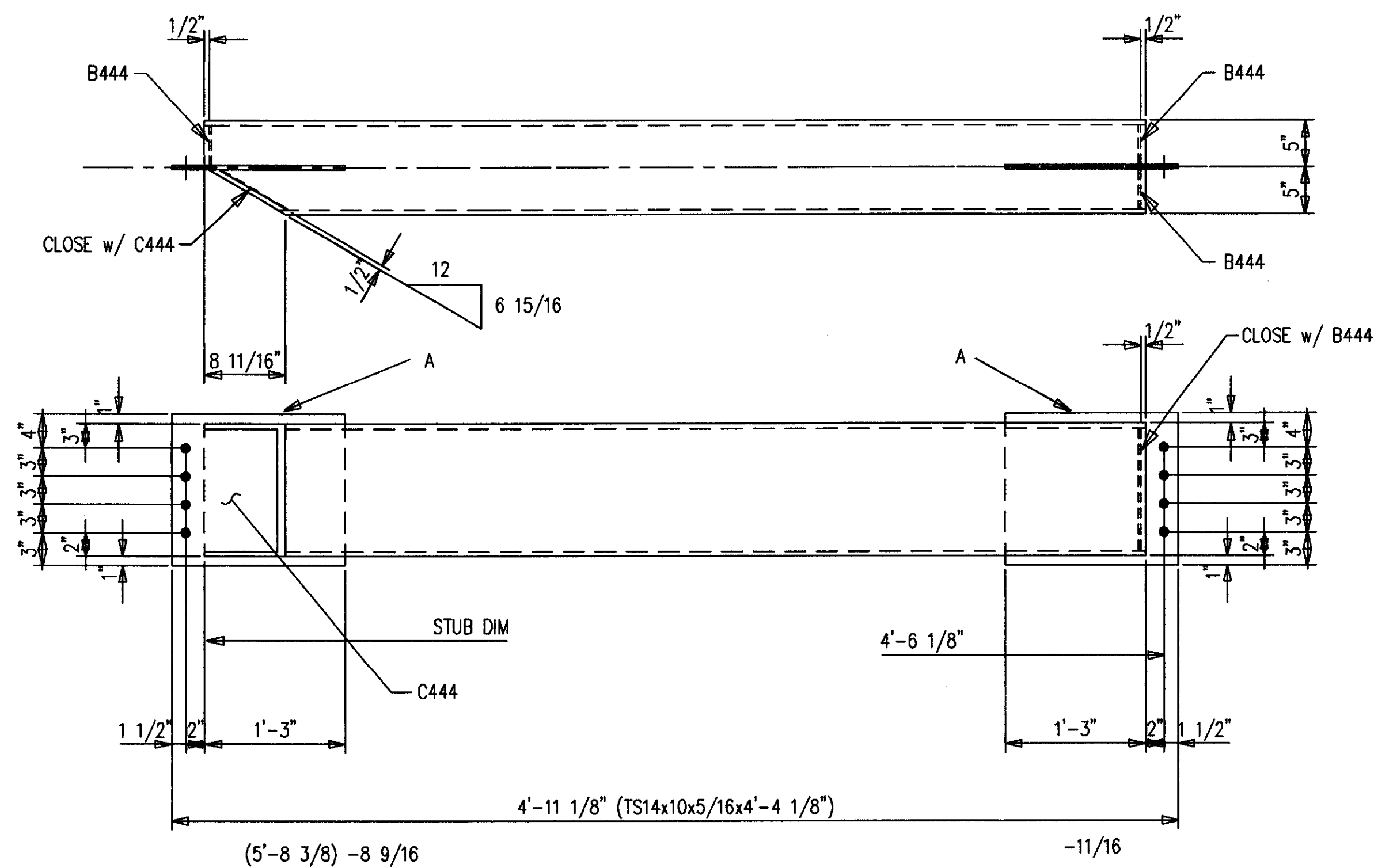
ALL RE-ENTRANT CUTS MIN. 1/2" RAD. U/N		WELD ELECTRODE U/N E70XX	CHECKED BY GCL	DATE 9/98	CONTRACTOR TURNER CONSTRUCTION COMPANY
ALL A325 BOLTS w/ONE HARD WASH. AND HVY HEX NUT		SHOP PAINT SEE SPECS	ENGINEER	WALTER P. MOORE AND ASSOCIATES, INC.	
ALL A307 BOLTS w/HEX NUT		DRAWING TITLE DIAGONALS	P.O. BOX 11128-2044 BUCK LANE LEXINGTON, KENTUCKY 40511 PHONE: 606-253-4344 FAX: 606-253-4346		
DATE	APP	SHOP	FIELD	ORDER NO. P3524	SHEET NO. 443

Doc # 34818  
 Cab # 206  
 Slot B-2

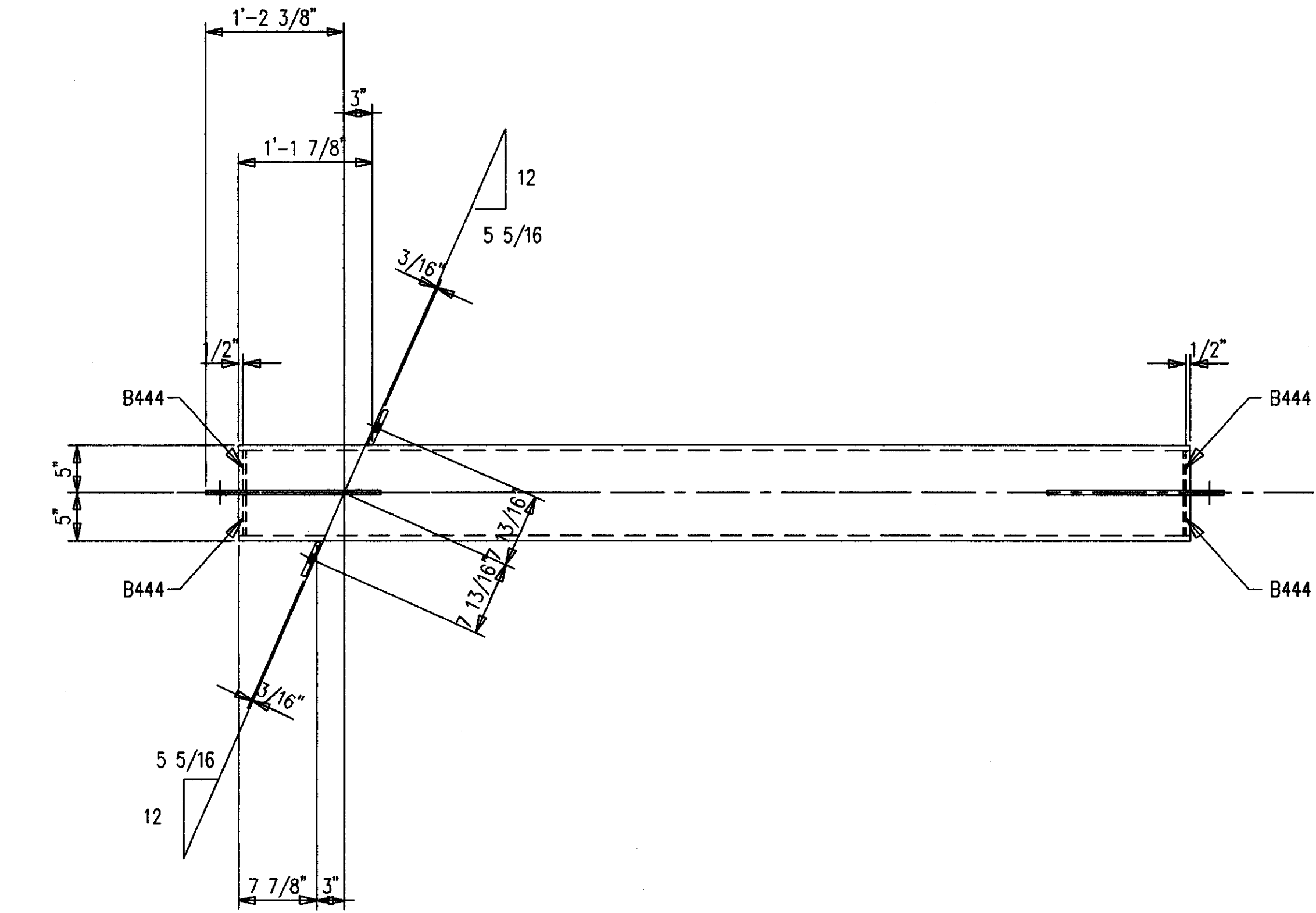




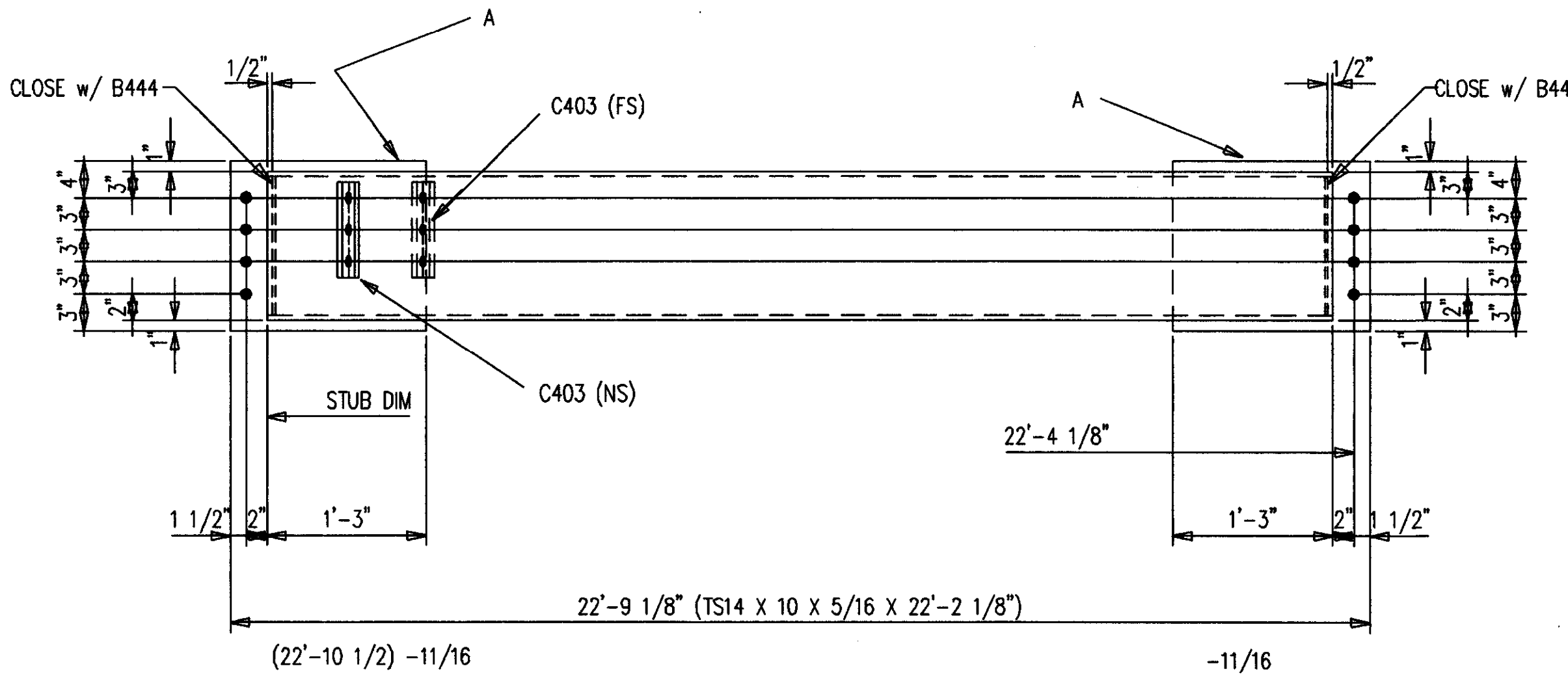
**A** ONE-BEAM 444B1 R [AS SHOWN]  
 ONE-BEAM 444B1 L [OPP HAND]  
 16-A490 1 X 2 1/2 F1640H



**A** ONE-BEAM 444B2 R [AS SHOWN]  
 ONE-BEAM 444B2 L [OPP HAND]  
 16-A490 1 X 2 1/2 F1640H



**A** ONE-BEAM 444B3 R [AS SHOWN]  
 ONE-BEAM 444B3 L [OPP HAND]  
 16-A490 1 X 2 1/2 F1640H



**BILL OF MATERIAL**

MARK	QUAN.	DESCRIPTION	LENGTH		REMARKS
			FT.	IN.	
444B1 L	ONE	BEAM			
444B1	1	TS14X10X5/16	17	10-13/16	SC1E/BC1E
A444	2	PL1/2X16	1	6-1/2	P
B444	3	PL1/8X4-7/16	1	1-3/8	CTF
C444	1	PL1/8X8-11/16	1	1-3/8	CTF
444B1 R	ONE	BEAM			
444B1	1	TS14X10X5/16	17	10-13/16	SC1E/BC1E
A444	2	PL1/2X16	1	6-1/2	P
B444	3	PL1/8X4-7/16	1	1-3/8	CTF
C444	1	PL1/8X8-11/16	1	1-3/8	CTF
444B2 L	ONE	BEAM			
444B2	1	TS14X10X5/16	4	4-1/8	SC1E/BC1E
A444	2	PL1/2X16	1	6-1/2	P
B444	3	PL1/8X4-7/16	1	1-3/8	CTF
C444	1	PL1/8X8-11/16	1	1-3/8	CTF
444B2 R	ONE	BEAM			
444B2	1	TS14X10X5/16	4	4-1/8	SC1E/BC1E
A444	2	PL1/2X16	1	6-1/2	P
B444	3	PL1/8X4-7/16	1	1-3/8	CTF
C444	1	PL1/8X8-11/16	1	1-3/8	CTF
444B3 L	ONE	BEAM			
444B3	1	TS14X10X5/16	22	2-1/8	SC2E
A444	2	PL1/2X16	1	6-1/2	P
B444	4	PL1/8X4-7/16	1	1-3/8	CTF
C403	2	FB1/2X4	0	9	P
444B3 R	ONE	BEAM			
444B3	1	TS14X10X5/16	22	2-1/8	SC2E
A444	2	PL1/2X16	1	6-1/2	P
B444	4	PL1/8X4-7/16	1	1-3/8	CTF
C403	2	FB1/2X4	0	9	P
FIELD BOLTS					
F1640H	49	A490 1X2-1/2			
F16LI	49	A LOAD IND 1			

**SHOP NOTES:**  
 1. PRIMER ONLY 3" AROUND ALL HOLES UNLESS NOTED PF (PRIMER/FINISH).  
 2. P=PRIMER ONLY AS DIMENSIONED.  
 3. NP=NO PAINT IN 3" WIDE STRIP, CENTER OF BEAM, FULL LENGTH.

**AS BUILT**  
 NAME: *Map Hughes*  
 DATE: **AUG 16 1999**

NO.	DATE	REVISION DESCRIPTION	DFW	GCL
A	1/12/99	CLOSED TUBES		

CONTRACTOR TO CHECK ALL DIMENSIONS AT JOB AS MID STATES STEEL PRODUCTS CO. ASSUMES NO RESPONSIBILITY FOR GENERAL BUILDING DIMENSIONS. NO BACK CHARGES PERTAINING TO THIS WORK WILL BE ACCEPTED WITHOUT PRIOR AUTHORIZATION BY MID STATES STEEL PRODUCTS CO.

MATERIAL U/N	A36	DRAWN BY	JDL	JOB NAME	COMMONWEALTH STADIUM EXPANSION
OPEN HOLES U/N	1 1/16"	DATE	9/98	JOB LOCATION	UNIVERSITY OF KENTUCKY
WELD ELECTRODE U/N	E70XX	CHECKED BY	GCL	CONTRACTOR	TURNER CONSTRUCTION COMPANY
SHOP PAINT	SEE SPECS	DATE	9/98	ENGINEER	WALTER P. MOORE AND ASSOCIATES, INC.

DRAWING TITLE: **BEAMS**

DATE	APP	SHOP	FIELD

P.O. BOX 11128-2044 BUCK LANE  
 LEXINGTON, KENTUCKY 40511  
 PHONE: 606-233-4344 FAX: 606-233-4346

ORDER NO. **P3524**  
 SHEET NO. **444**

**MID STATES STEEL PRODUCTS CO.**  
 FABRICATORS OF STRUCTURAL AND MISCELLANEOUS STEEL

Document # 34819  
 Cab # Slot 206 B-2

BILL OF MATERIAL					
MARK	QUAN.	DESCRIPTION	LENGTH		REMARKS
			FT.	IN.	
445B1 L	ONE	BEAM			
445B1	1	TS14X10X5/16	15	7	SC2E
A444	1	PL1/2X16	1	6-1/2	P
A445	1	PL1/2X16	1	6-1/2	P
B444	3	PL1/8X4-7/16	1	1-3/8	CTF
C403	2	FB1/2X4	0	9	P
D445	2	FB1/2X5	0	9	P
E445	1	PL1/8X4-1/2	1	1-3/8	CTF
445B1 R	ONE	BEAM			
445B1	1	TS14X10X5/16	15	7	SC2E
A444	1	PL1/2X16	1	6-1/2	P
A445	1	PL1/2X16	1	6-1/2	P
B444	3	PL1/8X4-7/16	1	1-3/8	CTF
C403	2	FB1/2X4	0	9	P
D445	2	FB1/2X5	0	9	P
E445	1	PL1/8X4-1/2	1	1-3/8	CTF
445B2	2	BEAMS			
445B2	2	TS14X10X5/16	18	5-5/8	SC2E
A444	4	PL1/2X16	1	6-1/2	P
B444	8	PL1/8X4-7/16	1	1-3/8	CTF
445B3	2	BEAMS			
445B3	2	TS14X10X5/16	22	2-1/8	SC2E
A444	4	PL1/2X16	1	6-1/2	P
B444	8	PL1/8X4-7/16	1	1-3/8	CTF
445B4 L	ONE	BEAM			
445B4	1	TS14X10X5/16	24	3-1/8	SC2E
A444	2	PL1/2X16	1	6-1/2	P
B444	4	PL1/8X4-7/16	1	1-3/8	CTF
B445	1	FB1/2X6	0	6-1/2	P
C445	1	FB1/2X6	0	8-1/2	P
445B4 R	ONE	BEAM			
445B4	1	TS14X10X5/16	24	3-1/8	SC2E
A444	2	PL1/2X16	1	6-1/2	P
B444	4	PL1/8X4-7/16	1	1-3/8	CTF
B445	1	FB1/2X6	0	6-1/2	P
C445	1	FB1/2X6	0	8-1/2	P
		FIELD BOLTS			
F1640H	63	A490 1X2-1/2			
F16LI	63	A LOAD IND 1			

SHOP NOTES:  
 1. PRIMER ONLY 3" AROUND ALL HOLES UNLESS NOTED PF(PRIMER/FINISH).  
 2. P=PRIMER ONLY AS DIMENSIONED.  
 3. NP=NO PAINT IN 3" WIDE STRIP, CENTER OF BEAM, FULL LENGTH.

**AS BUILT**  
 NAME: *M. H. Hughes*  
 DATE: **AUG 16 1999**

NO.	DATE	DESCRIPTION	DFD	GCL	DMN	CRD
A	1/12/99	CLOSED TUBES				

CONTRACTOR TO CHECK ALL DIMENSIONS AT JOB AS MID STATES STEEL PRODUCTS CO. ASSUMES NO RESPONSIBILITY FOR GENERAL BUILDING DIMENSIONS. NO BACK CHARGES PERTAINING TO THIS WORK WILL BE ACCEPTED WITHOUT PRIOR AUTHORIZATION BY MID STATES STEEL PRODUCTS CO.

MATERIAL U/M	QTY	DRAWN BY	JOB NAME
A36		JDL	COMMONWEALTH STADIUM EXPANSION

OPEN HOLES U/M	DATE	JOB LOCATION
1 1/16"	9/98	UNIVERSITY OF KENTUCKY

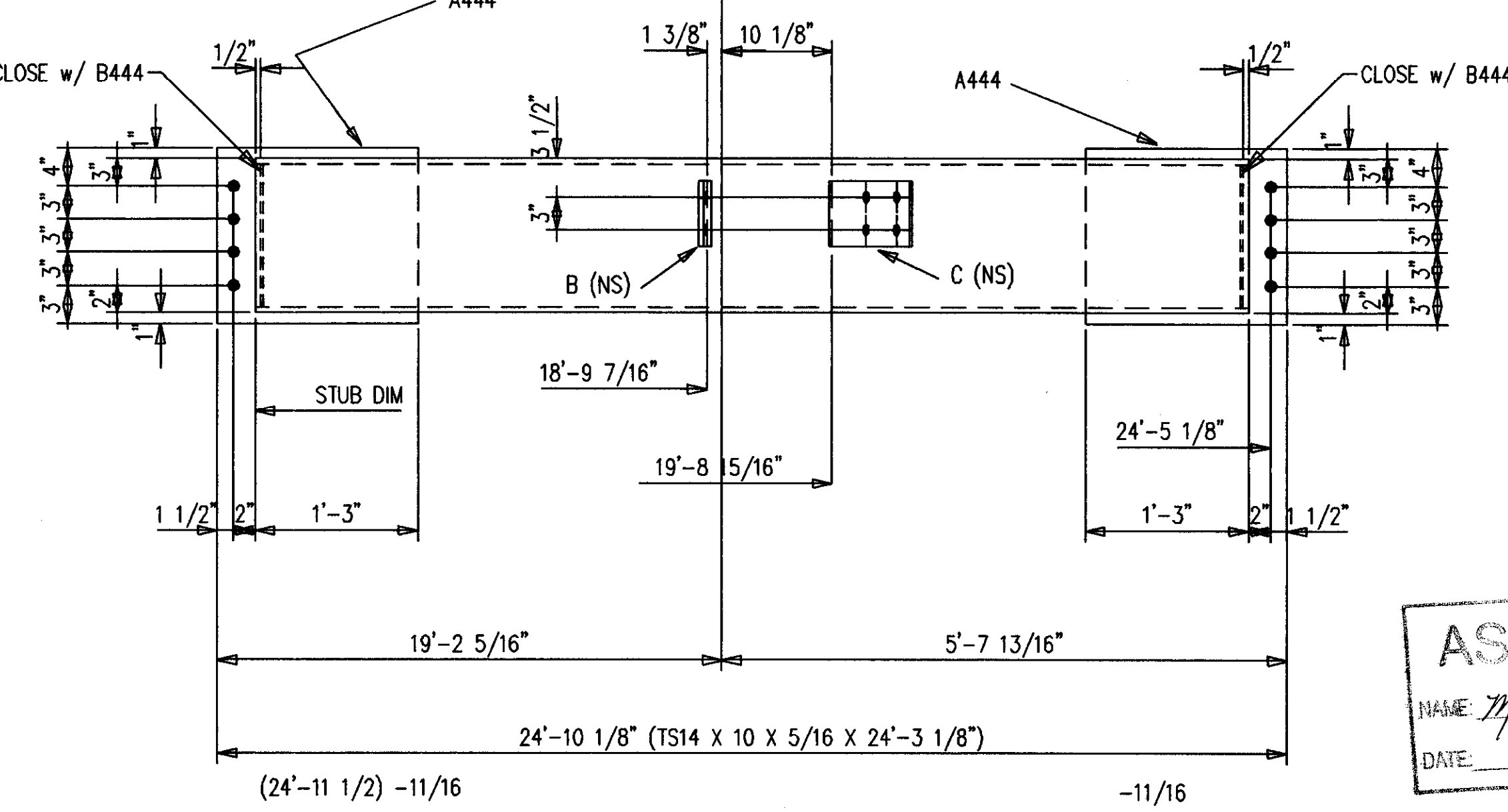
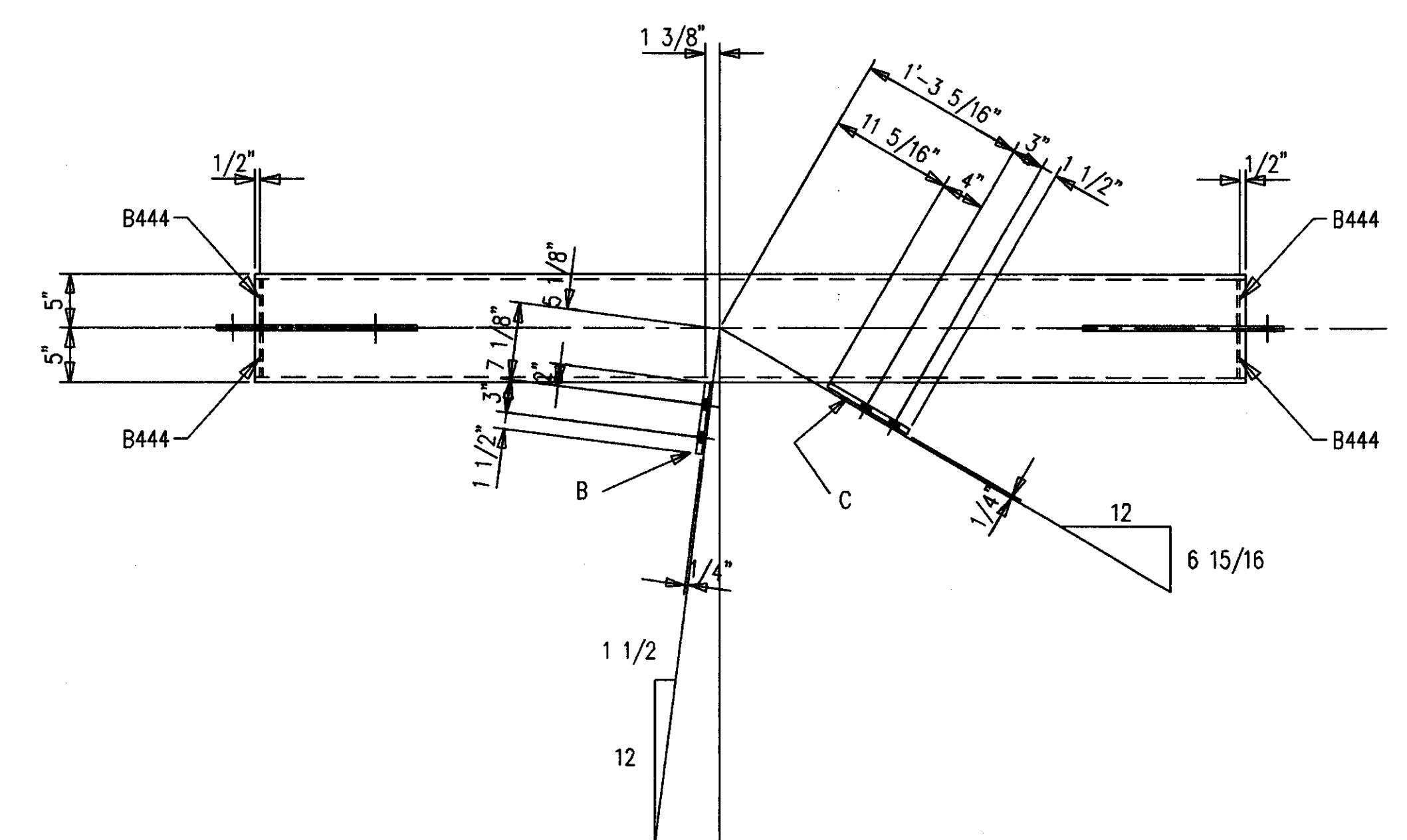
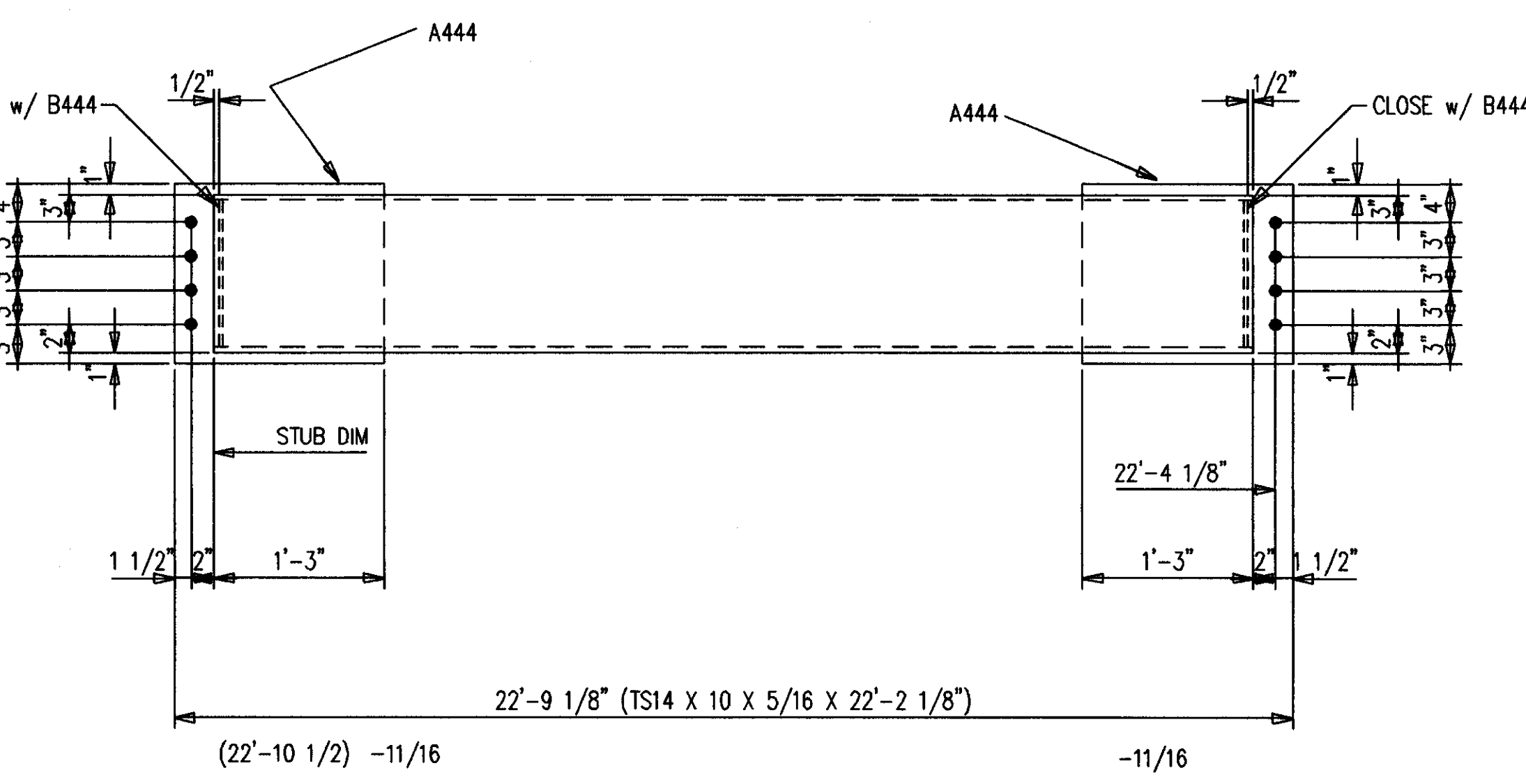
WELD ELECTRODE U/M	CHECKED BY	CONTRACTOR
E70XX	GCL	TURNER CONSTRUCTION COMPANY

SHOP PAINT	DATE	ENGINEER
SEE SPECS	9/98	WALTER P. MOORE AND ASSOCIATES, INC.

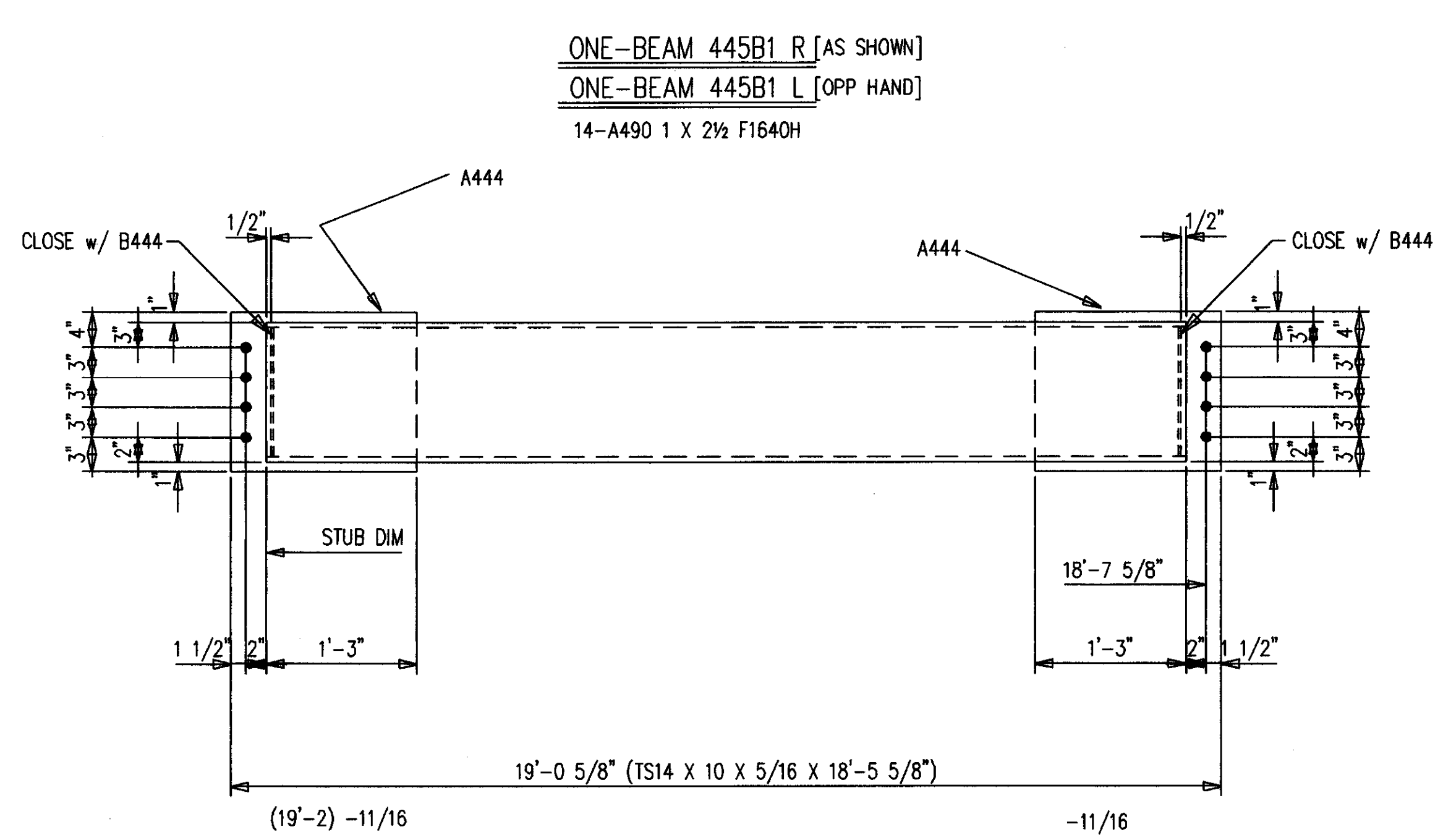
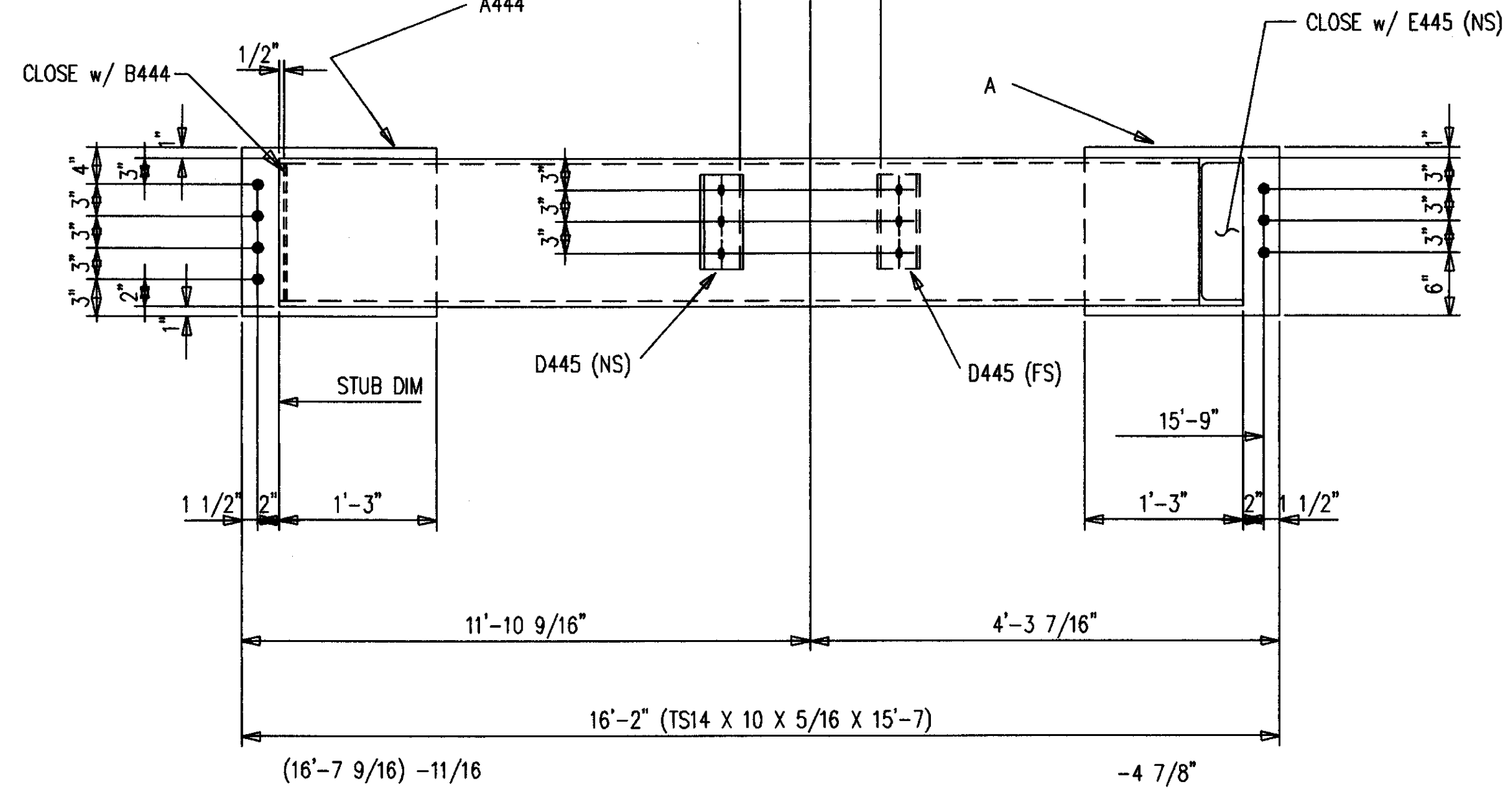
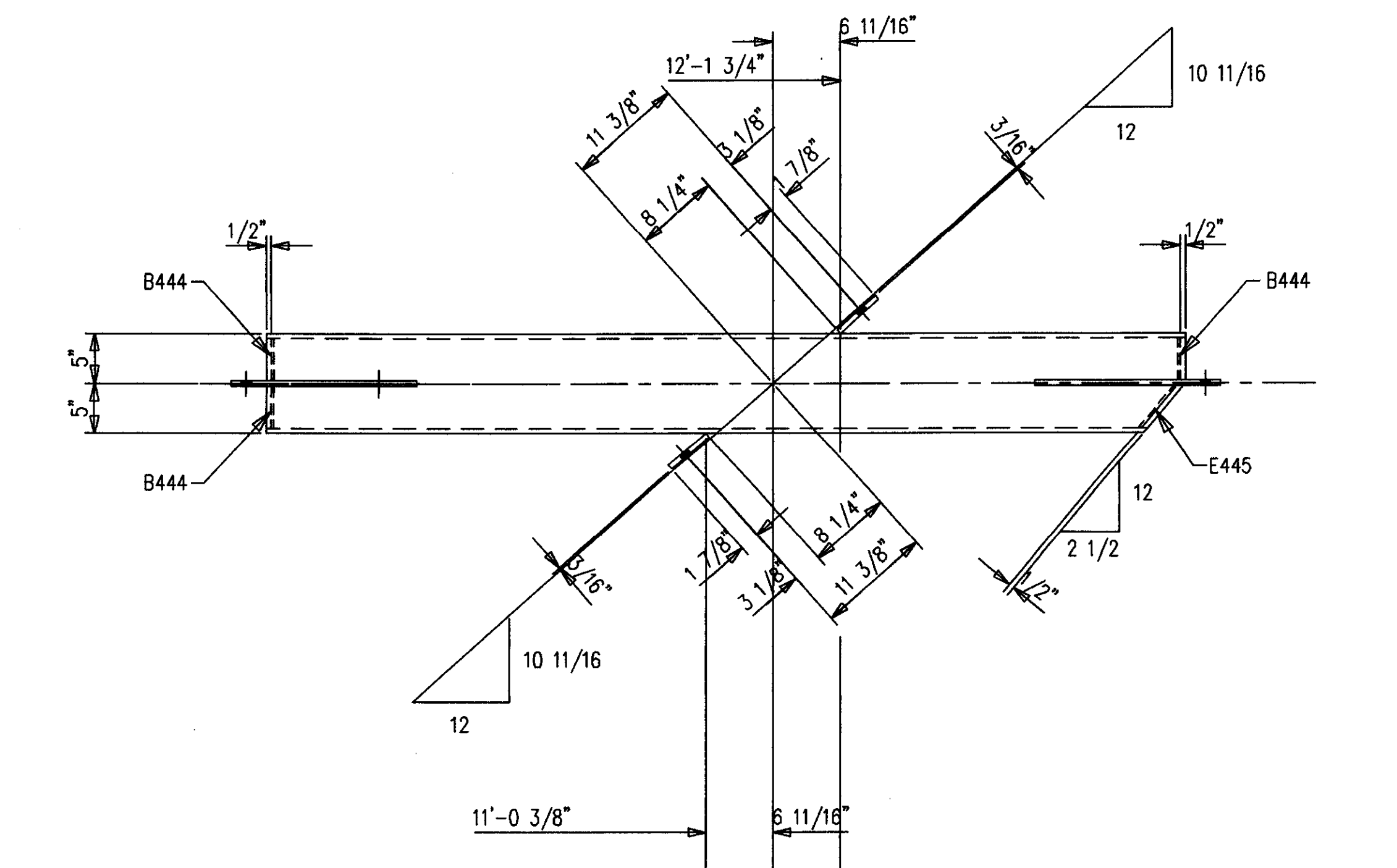
DRAWING TITLE	ORDER NO.
BEAMS	P3524

P.O. BOX 11128-2044 BUCK LANE  
 LEXINGTON, KENTUCKY 40511  
 PHONE: 606-253-4344 FAX: 606-233-4346

FABRICATORS OF STRUCTURAL AND MISCELLANEOUS STEEL



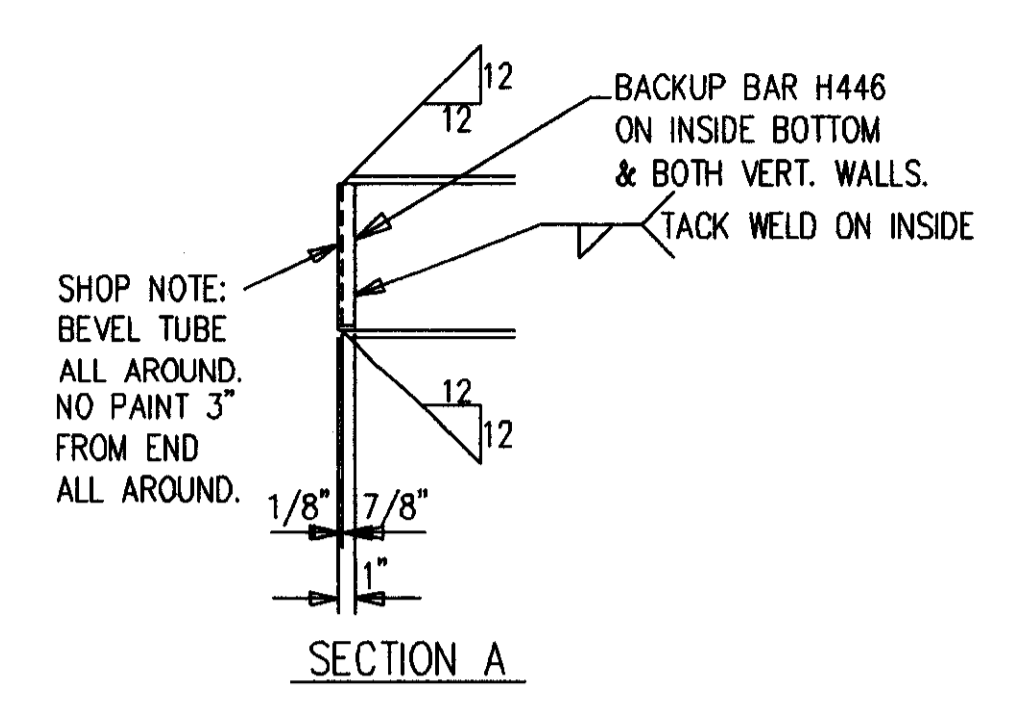
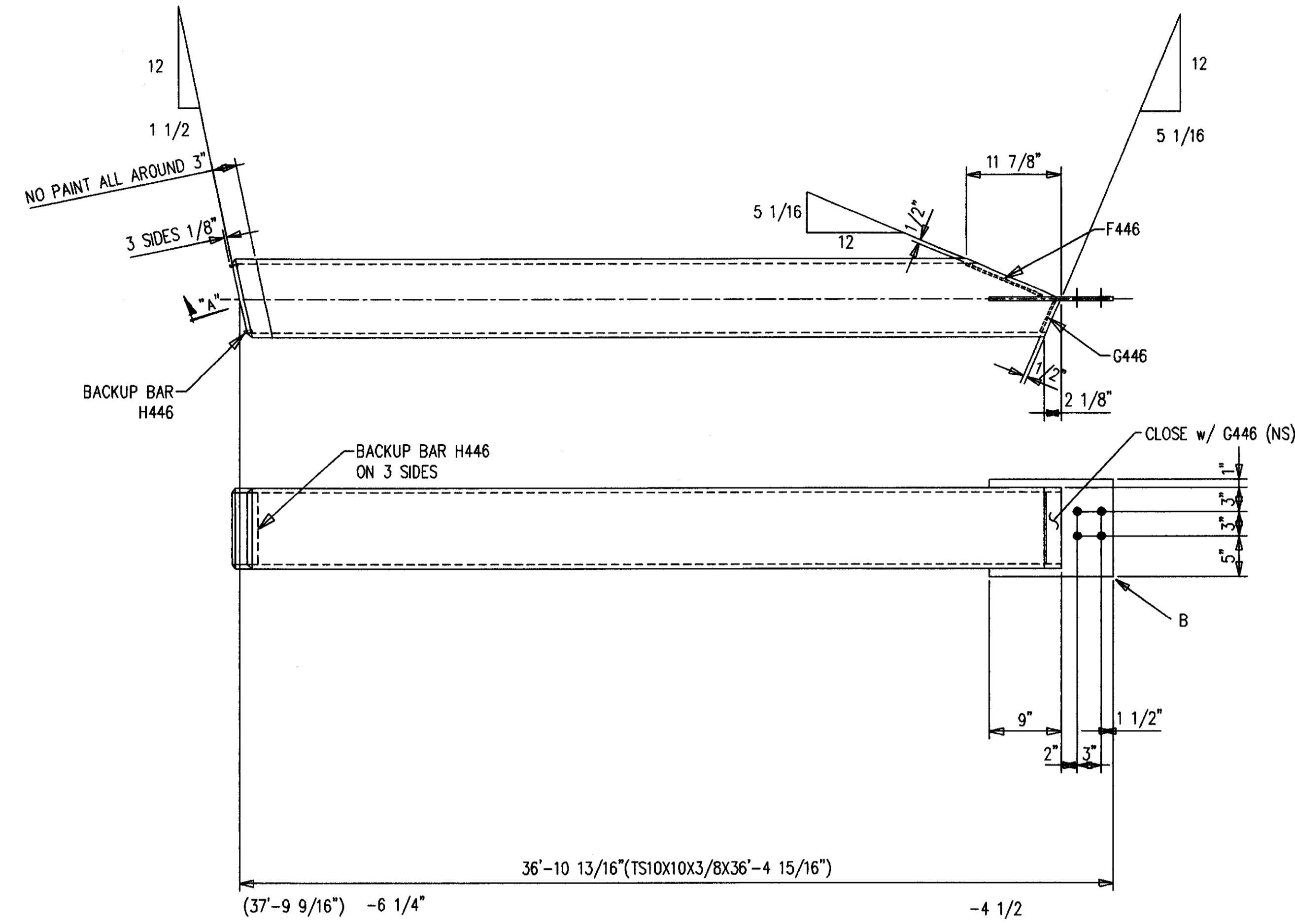
**ONE-BEAM 445B4 R [AS SHOWN]**  
**ONE-BEAM 445B4 L [OPP HAND]**  
 14-A490 1 X 2 1/2 F1640H



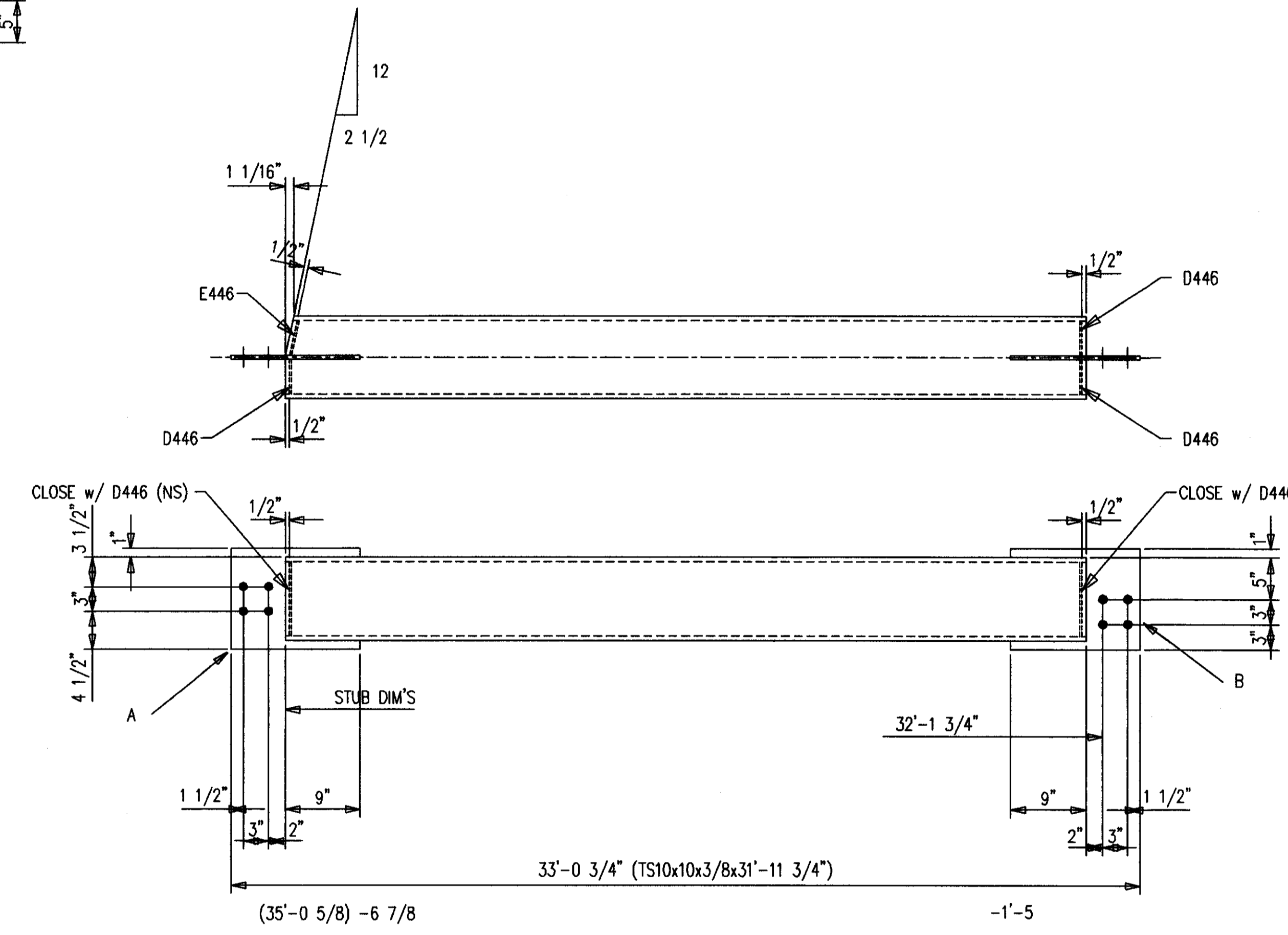
**2-BEAMS 445B2**  
 16-A490 1 X 2 1/2 F1640H

BILL OF MATERIAL

MARK	QUAN.	DESCRIPTION	LENGTH		REMARKS
			FT.	IN.	
* 446B1 L	ONE	BEAM			
446B1	1	TS10X10X3/8	36	4-15/16	BC2E
B446	1	FB1/2X12	1	3-1/2	P
F446	1	PL1/8X9-1/4	0	10-7/8	CTF
G446	1	PL1/8X4-5/8	0	9-1/4	CTF
H446	1	FB1/4X1	2	3	
* 446B1 R	ONE	BEAM			
446B1	1	TS10X10X3/8	36	4-15/16	BC2E
B446	1	FB1/2X12	1	3-1/2	P
F446	1	PL1/8X9-1/4	0	10-7/8	CTF
G446	1	PL1/8X4-5/8	0	9-1/4	CTF
H446	1	FB1/4X1	2	3	
446B2 L	ONE	BEAM			
446B2	1	TS10X10X3/8	35	8-5/16	BC2E
A446	2	FB1/2X12	1	3-1/2	P
D446	3	PL1/8X4-3/8	0	9-1/4	CTF
E446	1	PL1/8X4-1/2	0	9-1/4	CTF
446B2 R	ONE	BEAM			
446B2	1	TS10X10X3/8	35	8-5/16	BC2E
A446	2	FB1/2X12	1	3-1/2	P
D446	3	PL1/8X4-3/8	0	9-1/4	CTF
E446	1	PL1/8X4-1/2	0	9-1/4	CTF
446B3 L	2	BEAMS			
446B3	2	TS10X10X3/8	31	11-3/4	BC2E
A446	2	FB1/2X12	1	3-1/2	P
B446	2	FB1/2X12	1	3-1/2	P
D446	6	PL1/8X4-3/8	0	9-1/4	CTF
E446	2	PL1/8X4-1/2	0	9-1/4	CTF
446B3 R	2	BEAMS			
446B3	2	TS10X10X3/8	31	11-3/4	BC2E
A446	2	FB1/2X12	1	3-1/2	P
B446	2	FB1/2X12	1	3-1/2	P
D446	6	PL1/8X4-3/8	0	9-1/4	CTF
E446	2	PL1/8X4-1/2	0	9-1/4	CTF
FIELD BOLTS					
F1640H	65	A490 1X2-1/2			
F16LI	65	A LOAD IND 1			

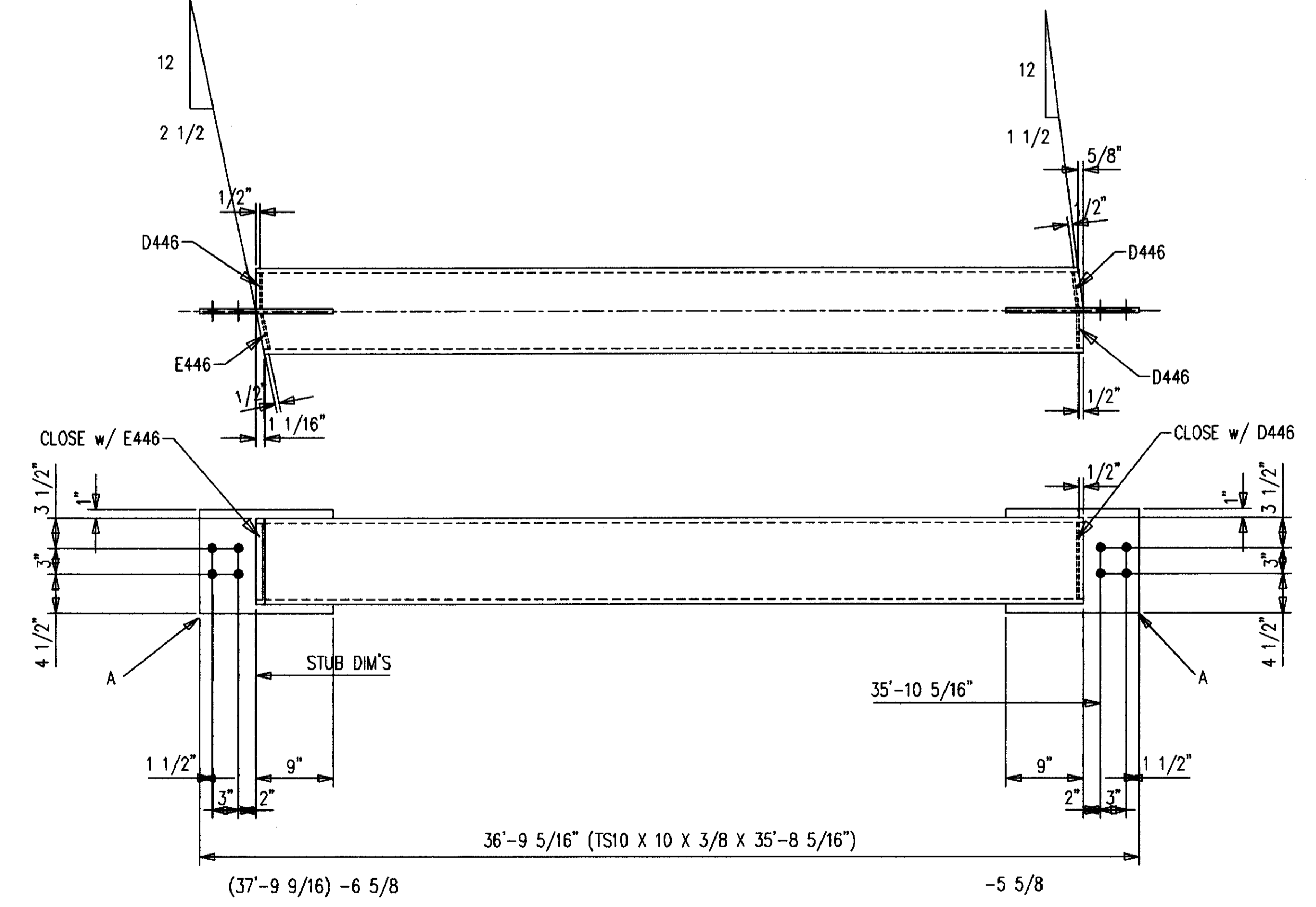


ONE-BEAM 446B1 R [AS SHOWN]  
 ONE-BEAM 446B1 L [OPP HAND]  
 16-A490 1 X 2 1/2 F1640H



2-BEAMS 446B3 R [AS SHOWN]  
 2-BEAMS 446B3 L [OPP HAND]  
 32-A490 1 X 2 1/2 F1640H

SHOP NOTES:  
 1. PRIMER ONLY 3" AROUND ALL HOLES UNLESS NOTED PF (PRIMER/FINISH).  
 2. P=PRIMER ONLY AS DIMENSIONED.  
 3. NP=NO PAINT IN 3" WIDE STRIP, CENTER OF BEAM, FULL LENGTH.



ONE-BEAM 446B2 R [AS SHOWN]  
 ONE-BEAM 446B2 L [OPP HAND]  
 16-A490 1 X 2 1/2 F1640H

**AS BUILT**  
 NAME: *Map Hughes*  
 DATE: AUG 16 1999

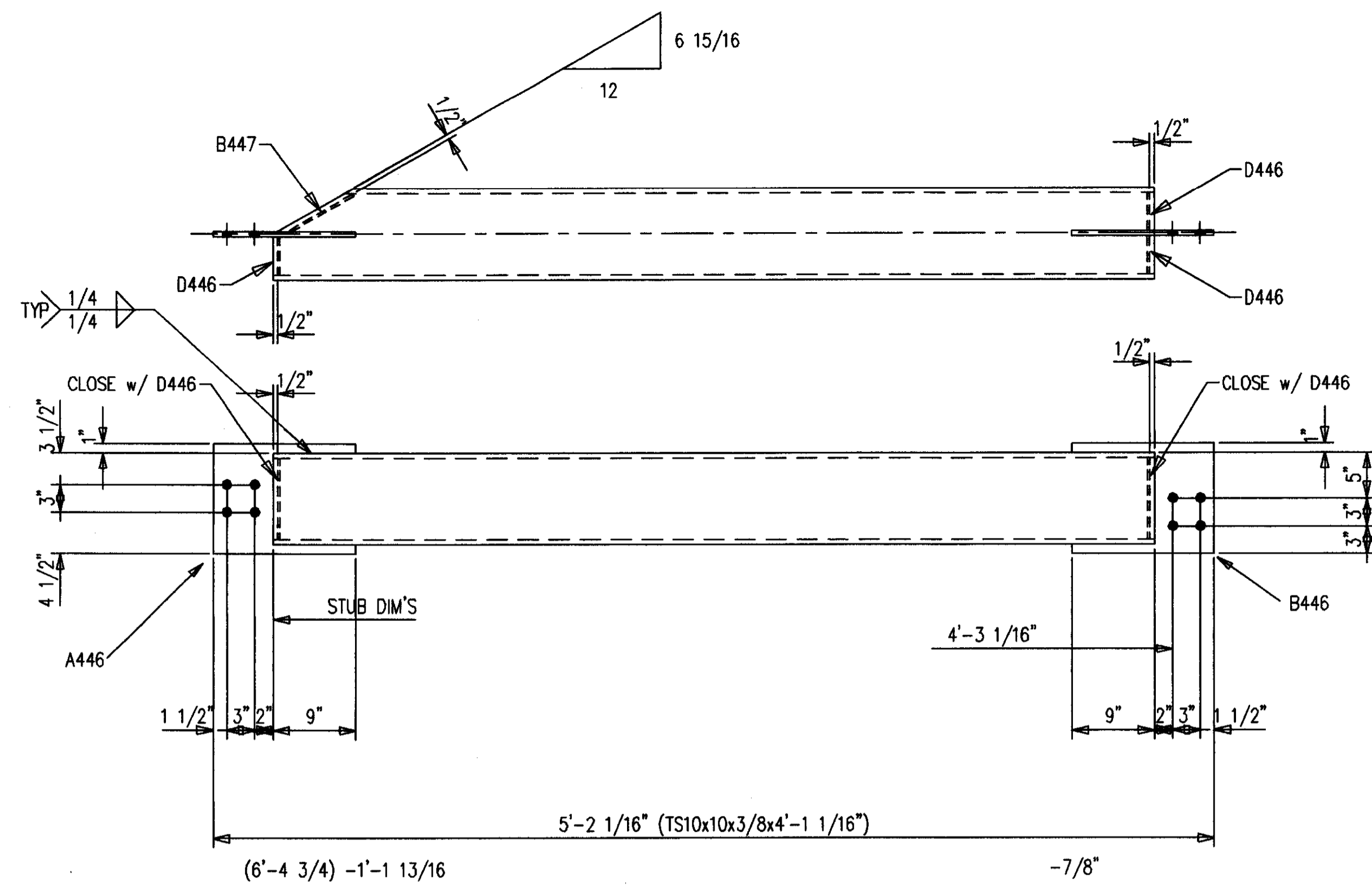
ALL RE-ENTRANT CUTS MIN. 1/2" RAD. U/N	WELD ELECTRODE U/N E70XX	CHECKED BY GCL	CONTRACTOR TURNER CONSTRUCTION COMPANY
ALL A325 BOLTS w/ONE HARD WASH. AND HVY HEX NUT	SHOP PAINT SEE SPECS	DATE 9/98	ENGINEER WALTER P. MOORE AND ASSOCIATES, INC.
ALL A307 BOLTS w/HEX NUT	DRAWING TITLE BEAMS		
DATE	APP	SHOP	FIELD

**MID STATES STEEL PRODUCTS CO.**  
 FABRICATORS OF STRUCTURAL AND MISCELLANEOUS STEEL

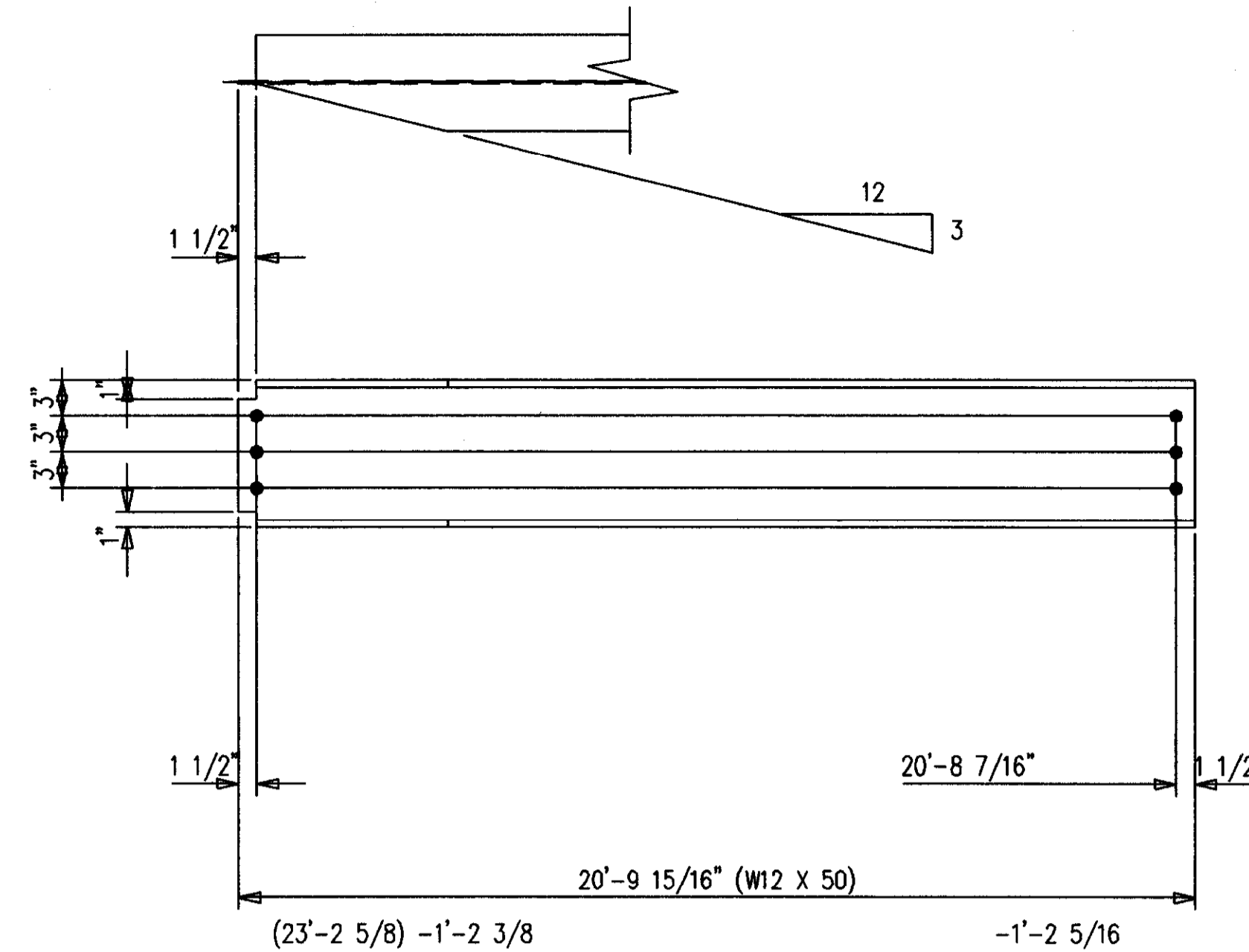
P.O. BOX 11128-2044 BUCK LANE  
 LEXINGTON, KENTUCKY 40511  
 PHONE: 606-233-4344 FAX: 606-233-4346

ORDER NO. P3524  
 SHEET NO. 446

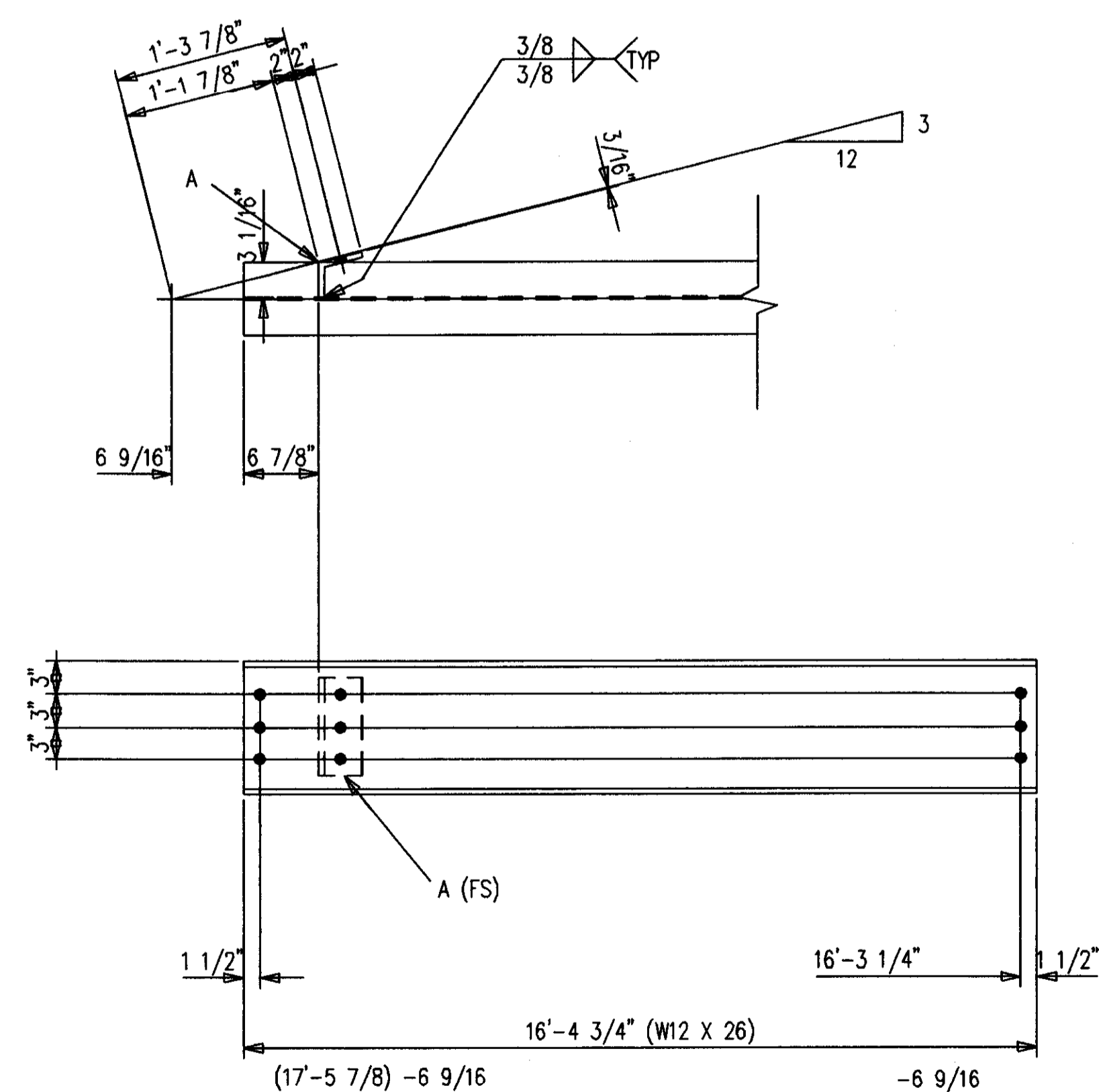
Document # 34821  
 Cab # 8101  
 B-2



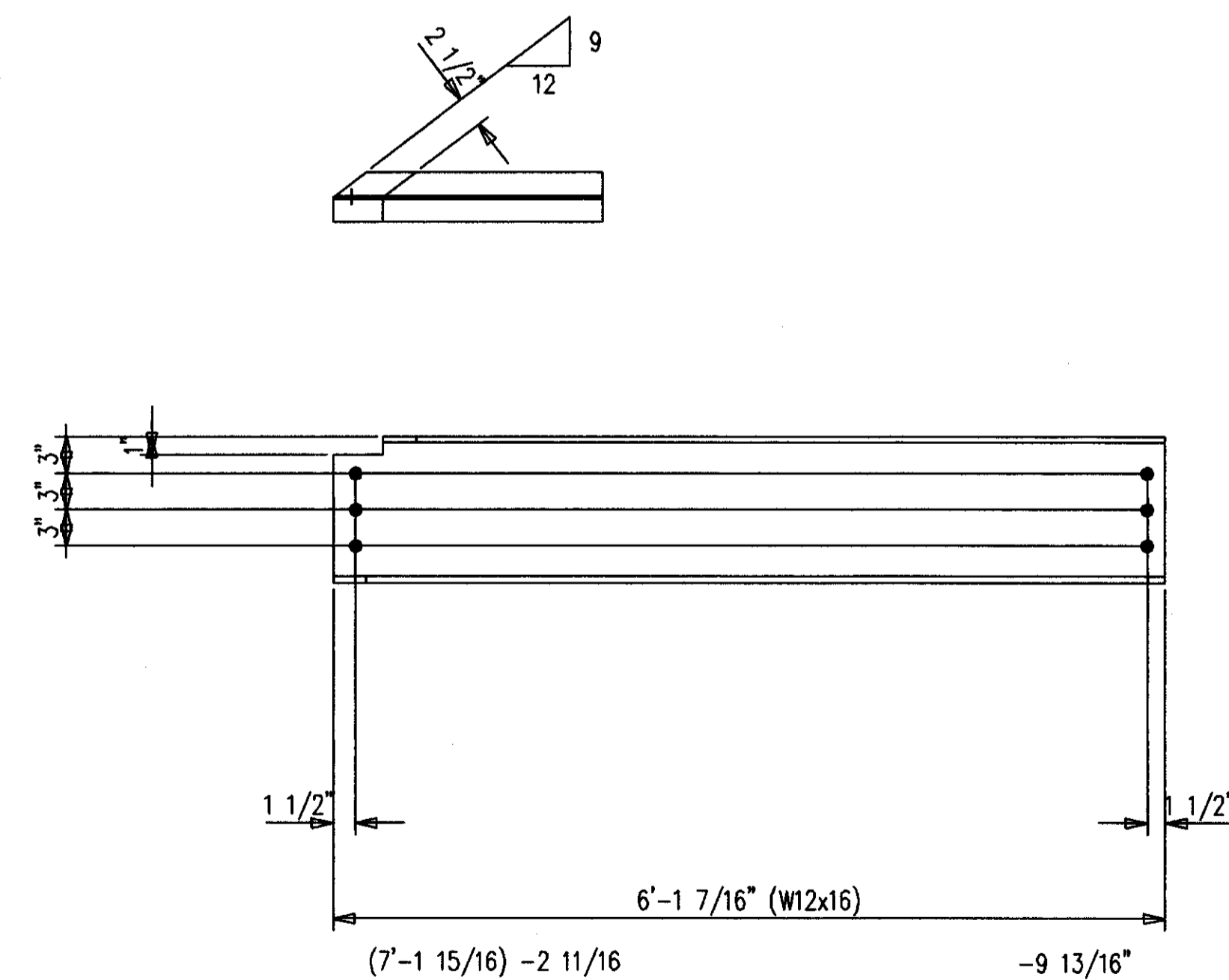
ONE-BEAM 447B1 R [AS SHOWN]  
 ONE-BEAM 447B1 L [OPP HAND]  
 16-A490 1 X 2 1/2 F1640H



ONE-BEAM 447B3 R [AS SHOWN]  
 ONE-BEAM 447B3 L [OPP HAND]  
 12-A490 1 X 2 1/2 F1640H



ONE-BEAM 447B2 R [AS SHOWN]  
 ONE-BEAM 447B2 L [OPP HAND]  
 12-A490 1 X 2 1/2 F1640H

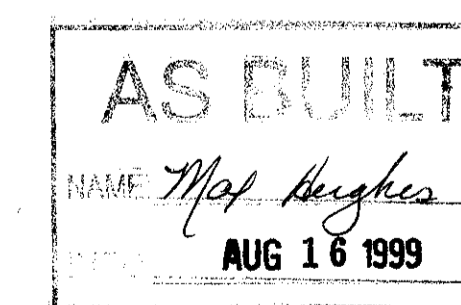


ONE-BEAM 447B4 R [AS SHOWN]  
 ONE-BEAM 447B4 L [OPP HAND]  
 12-A490 1 X 2 1/2 F1640H

BILL OF MATERIAL

MARK	QUAN.	DESCRIPTION	LENGTH		REMARKS
			FT.	IN.	
447B1 L	ONE	BEAM			
447B1	1	TS10X10X3/8	4	1-1/16	
A446	1	FB1/2X12	1	3-1/2	P
B446	1	FB1/2X12	1	3-1/2	P
B447	1	PL1/8X8-9/16	0	9-1/4	CTF
D446	3	PL1/8X4-3/8	0	9-1/4	CTF
447B1 R	ONE	BEAM			
447B1	1	TS10X10X3/8	4	1-1/16	
A446	1	FB1/2X12	1	3-1/2	P
B446	1	FB1/2X12	1	3-1/2	P
B447	1	PL1/8X8-9/16	0	9-1/4	CTF
D446	3	PL1/8X4-3/8	0	9-1/4	CTF
447B2 L	ONE	BEAM			
447B2	1	W12X26	16	4-3/4	P
A447	1	FB1/2X7	0	9	BENT/P
447B2 R	ONE	BEAM			
447B2	1	W12X26	16	4-3/4	P
A447	1	FB1/2X7	0	9	BENT/P
447B3 L	ONE	BEAM			
447B3	1	W12X50	20	9-15/16	P
447B3 R	ONE	BEAM			
447B3	1	W12X50	20	9-15/16	P
447B4 L	ONE	BEAM			
447B4	1	W12X16	6	1-7/16	P
447B4 R	ONE	BEAM			
447B4	1	W12X16	6	1-7/16	P
F1640H	53	A490 1X2-1/2			FIELD BOLTS
F1640L	53	A LOAD IND 1			

SHOP NOTES:  
 1. PRIMER ONLY 3" AROUND ALL HOLES UNLESS NOTED PF(PRIMER/FINISH).  
 2. P=PRIMER ONLY AS DIMENSIONED.  
 3. NP=NO PAINT IN 3" WIDE STRIP, CENTER OF BEAM, FULL LENGTH.



A	1/12/99	CLOSED TUBES	DFD	GCL
NO.	DATE	REVISION DESCRIPTION	DWN	CHK

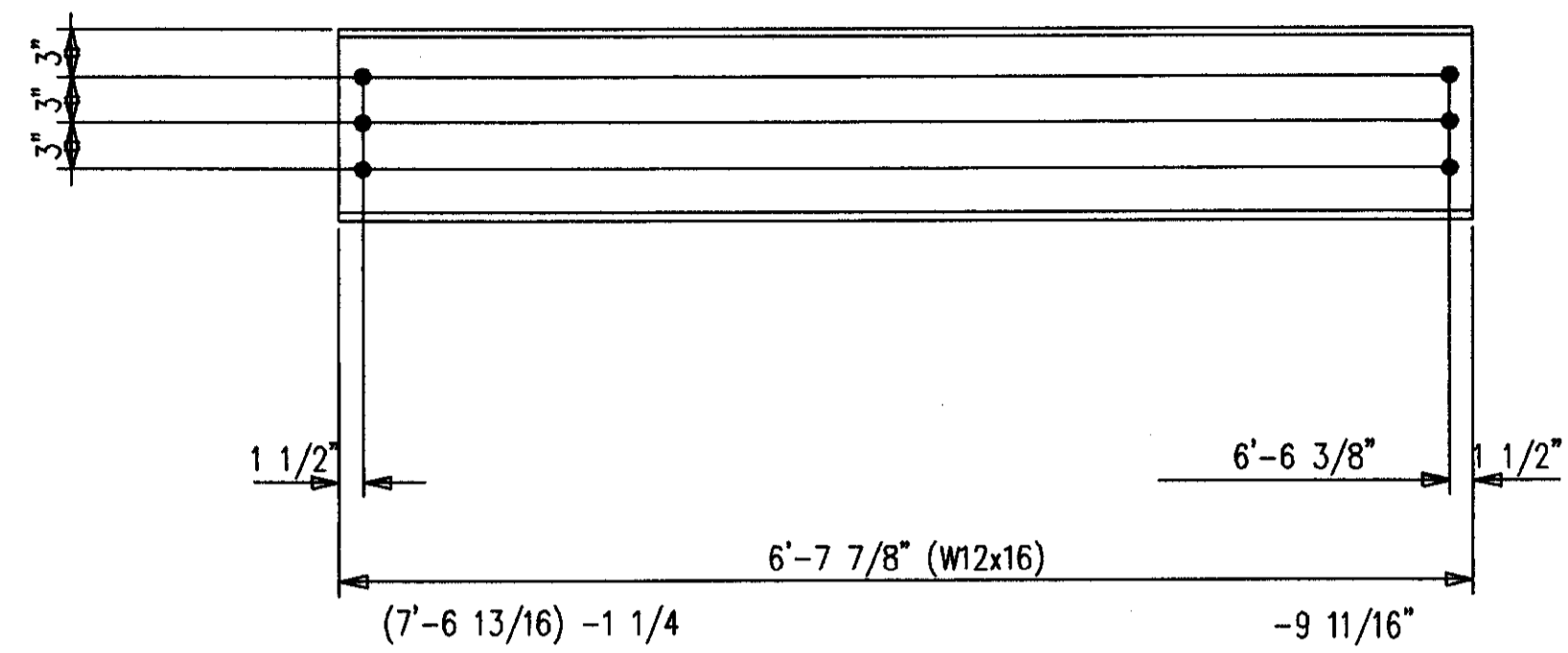
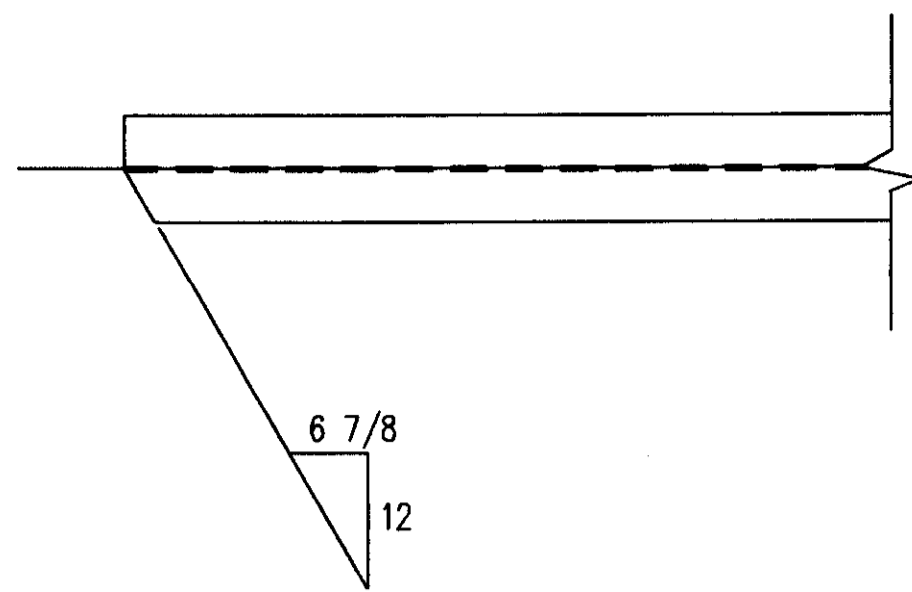
MATERIAL U/N	A36	DRAWN BY	JDL	JOB NAME	COMMONWEALTH STADIUM EXPANSION
OPEN HOLES U/N	1 1/16"	DATE	9/98	JOB LOCATION	UNIVERSITY OF KENTUCKY
WELD ELECTRODE U/N	E70XX	CHECKED BY	GCL	CONTRACTOR	TURNER CONSTRUCTION COMPANY
SHOP PAINT	SEE SPECS	DATE	9/98	ENGINEER	WALTER P. MOORE AND ASSOCIATES, INC.

ALL RE-ENTRANT CUTS MIN. 1/2" RAD. U/N			
ALL A325 BOLTS W/ONE HARD WASH. AND HVY HEX NUT			
ALL A307 BOLTS W/HEX NUT			
DATE	APP	SHOP	FIELD

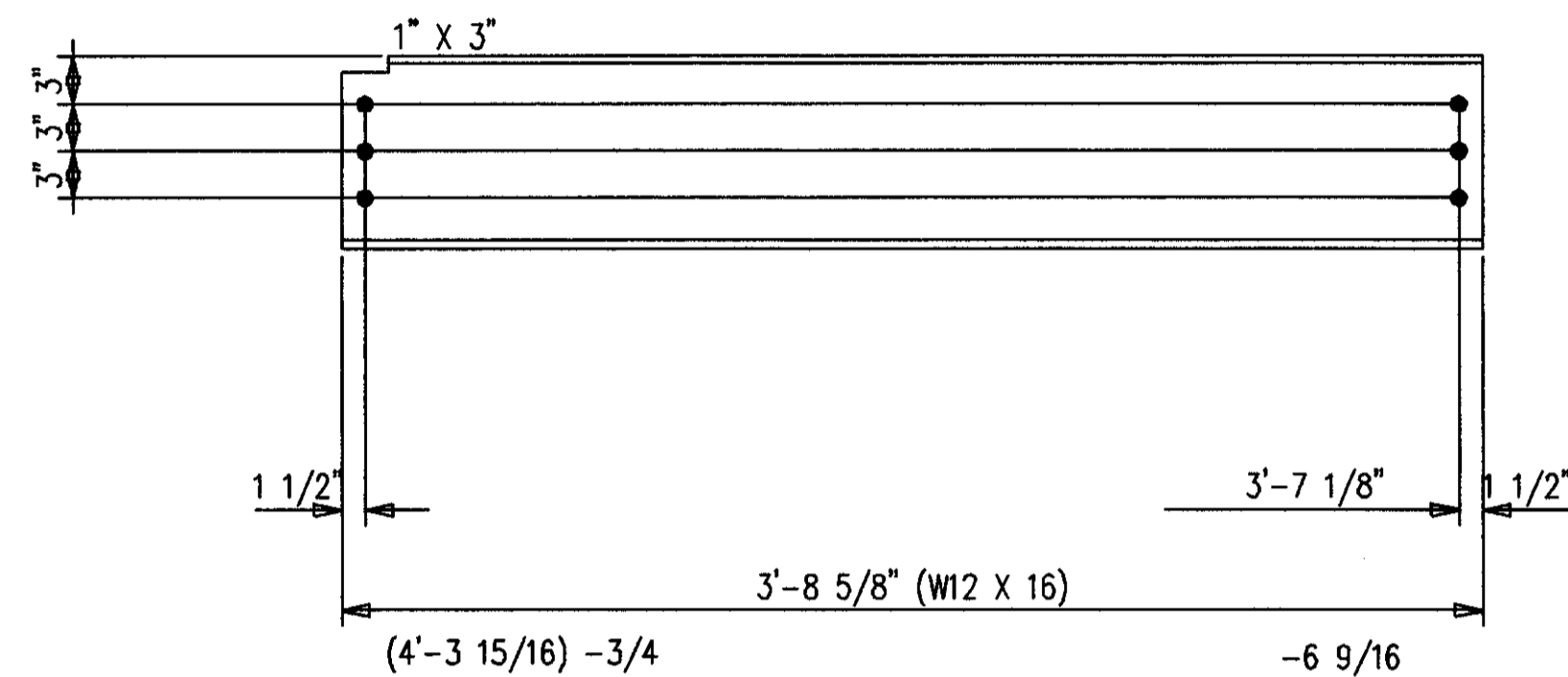
MID STATES STEEL PRODUCTS CO.  
 FABRICATORS OF STRUCTURAL AND MISCELLANEOUS STEEL

P.O. BOX 11128-2044 BUCK LANE  
 LEXINGTON, KENTUCKY 40511  
 PHONE: 606-253-4344 FAX: 606-253-4346

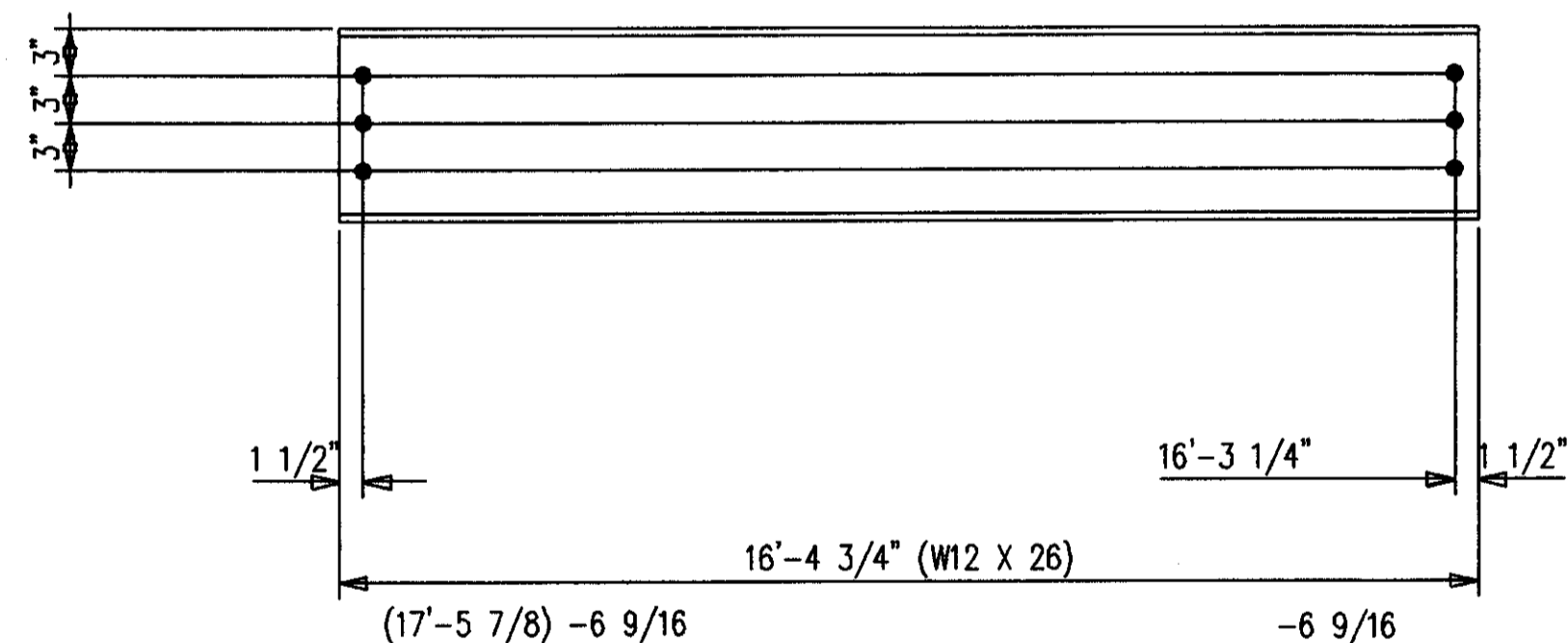
ORDER NO. P3524  
 SHEET NO. 447



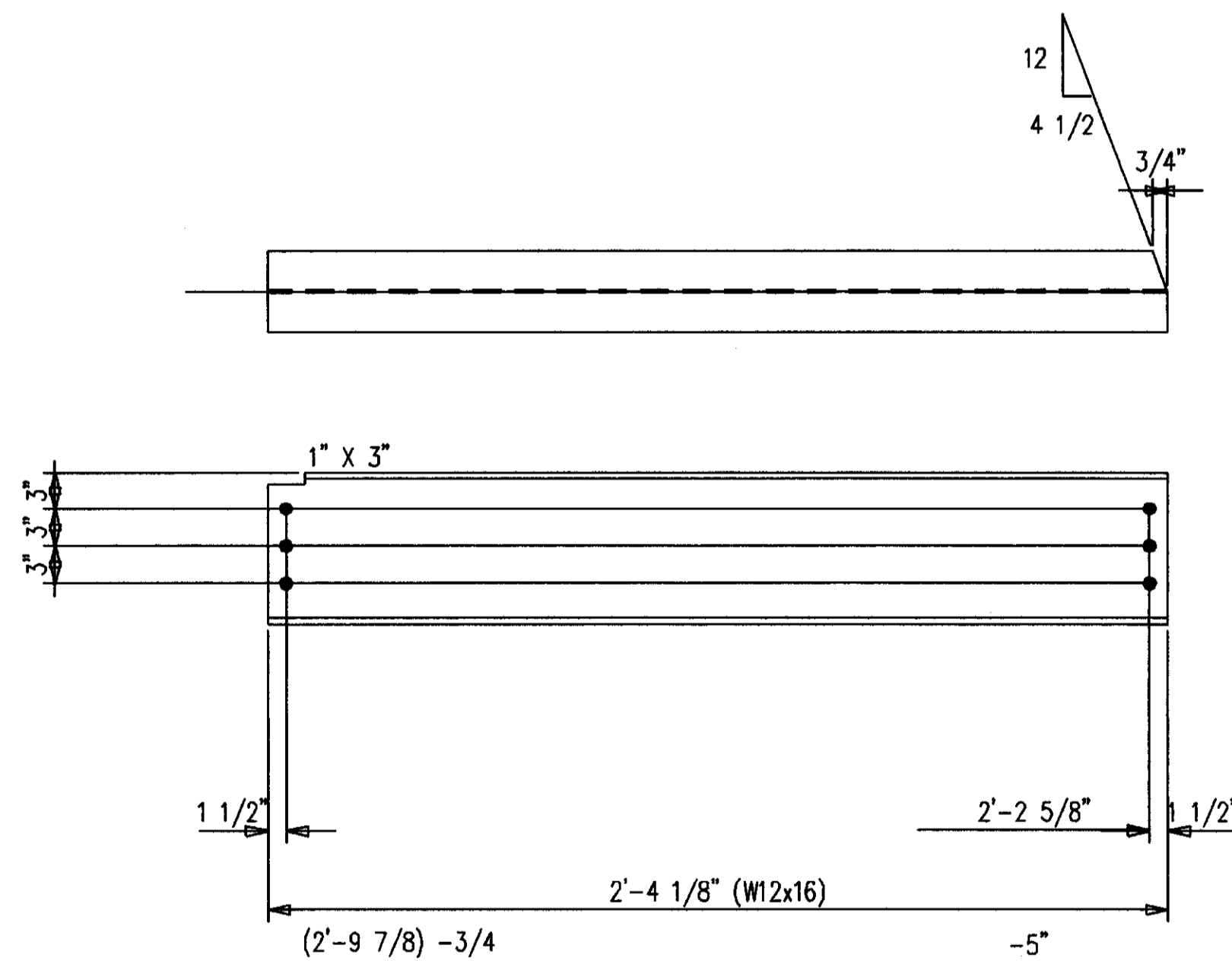
ONE-BEAM 448B1 R [AS SHOWN]  
 ONE-BEAM 448B1 L [OPP HAND]  
 12-A490 1 X 2 1/2 F1640H



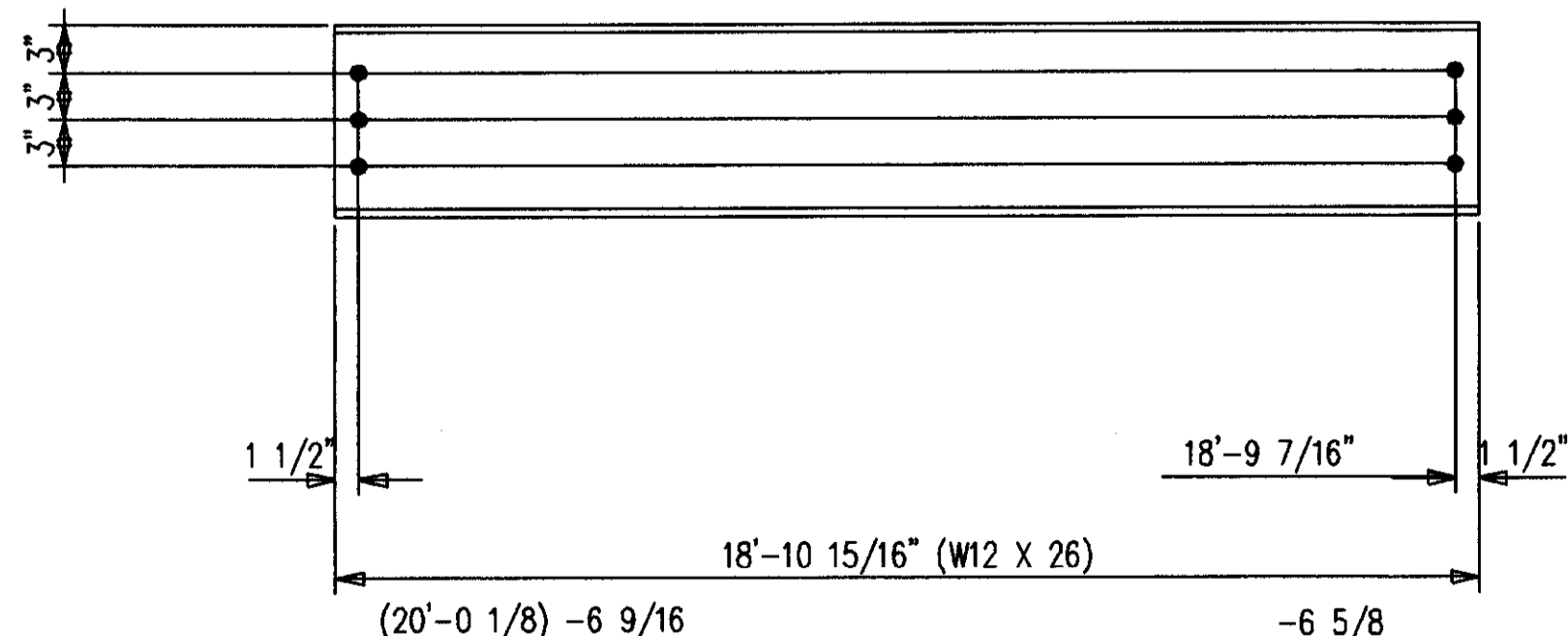
ONE-BEAM 448B5 R [AS SHOWN]  
 ONE-BEAM 448B5 L [OPP HAND]  
 12-A490 1 X 2 1/2 F1640H



2-BEAMS 448B2  
 12-A490 1 X 2 1/2 F1640H



ONE-BEAM 448B6 R [AS SHOWN]  
 ONE-BEAM 448B6 L [OPP HAND]  
 12-A490 1 X 2 1/2 F1640H



2-BEAMS 448B3  
 12-A490 1 X 2 1/2 F1640H

BILL OF MATERIAL

MARK	QUAN.	DESCRIPTION	LENGTH		REMARKS
			FT.	IN.	
448B1 L	ONE	BEAM			
448B1	1	W12X16	6	7-7/8	P
448B1 R	ONE	BEAM			
448B1	1	W12X16	6	7-7/8	P
448B2	2	BEAMS			
448B2	2	W12X26	16	4-3/4	P
448B3	2	BEAMS			
448B3	2	W12X26	18	10-15/16	P
448B5 L	ONE	BEAM			
448B5	1	W12X16	3	8-5/8	P
448B5 R	ONE	BEAM			
448B5	1	W12X16	3	8-5/8	P
448B6 L	ONE	BEAM			
448B6	1	W12X16	2	4-1/8	P
448B6 R	ONE	BEAM			
448B6	1	W12X16	2	4-1/8	P
F1640H	61	FIELD BOLTS			
F16LI	61	A490 1X2-1/2			
		A LOAD IND 1			

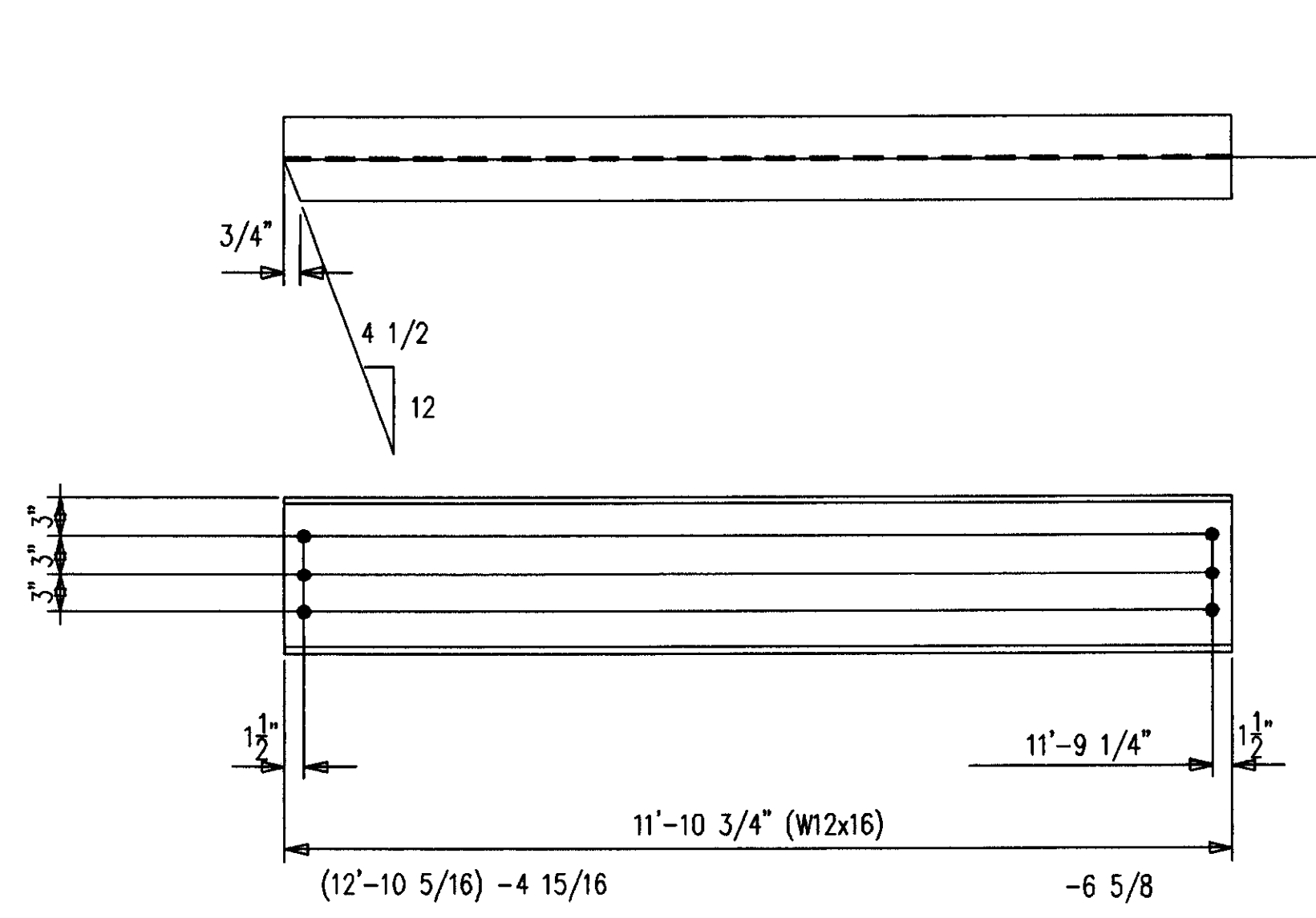
SHOP NOTES:  
 1. PRIMER ONLY 3" AROUND ALL HOLES UNLESS NOTED PF(PRIMER/FINISH).  
 2. P=PRIMER ONLY AS DIMENSIONED.  
 3. NP=NO PAINT IN 3" WIDE STRIP, CENTER OF BEAM, FULL LENGTH.

AS BUILT  
 NAME: *M.P. Hughes*  
 DATE: AUG 16 1999

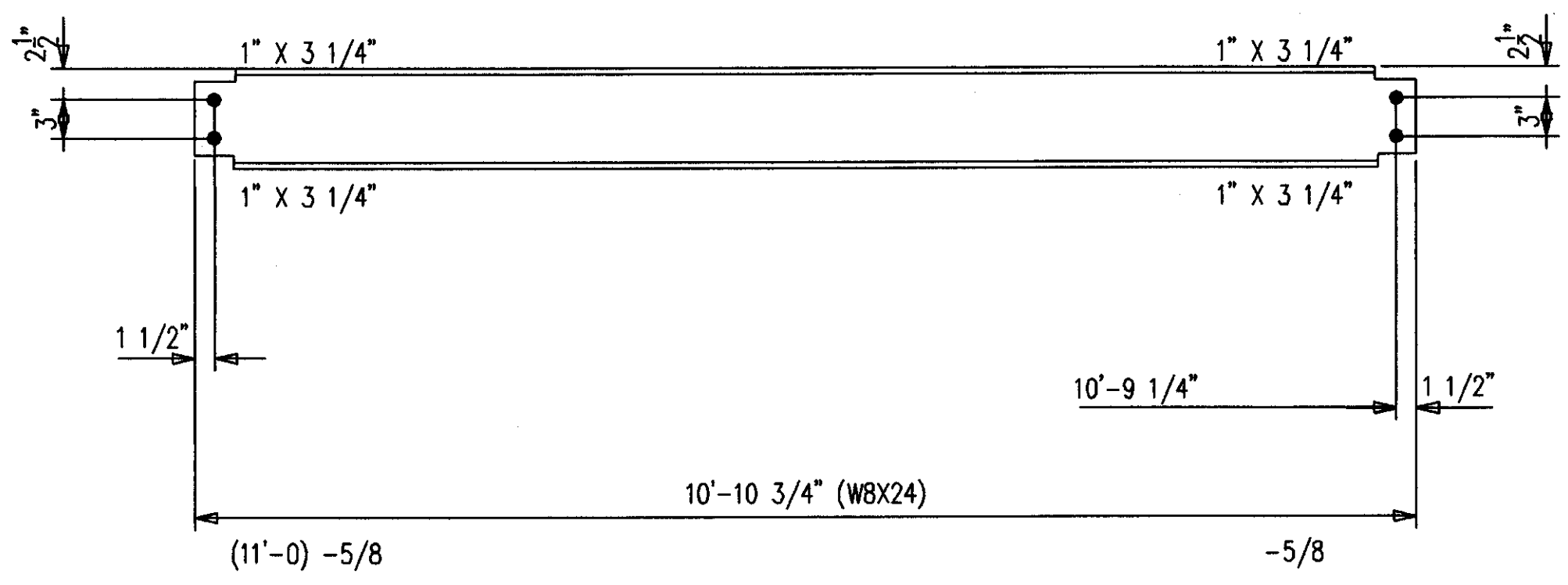
MATERIAL U/N A36		DRWN BY JDL	JOB NAME COMMONWEALTH STADIUM EXPANSION
OPEN HOLES U/N 1 1/16"		DATE 9/98	JOB LOCATION UNIVERSITY OF KENTUCKY
WELD ELECTRODE U/N E70XX		CHECKED BY GCL	CONTRACTOR TURNER CONSTRUCTION COMPANY
SHOP PAINT SEE SPECS		DATE 9/98	ENGINEER WALTER P. MOORE AND ASSOCIATES, INC.
ALL RE-ENTRANT CUTS MIN. 1/2" RAD. U/N		DRAWING TITLE BEAMS	
ALL A325 BOLTS w/ONE HARD WASH. AND HVY HEX NUT		DATE APP SHOP FIELD	
ALL A307 BOLTS w/HEX NUT		P.O. BOX 11128-2044 BUCK LANE LEXINGTON, KENTUCKY 40511 PHONE: 606-253-4344 FAX: 606-233-4346	
		ORDER NO. P3524	
		SHEET NO. 448	

BILL OF MATERIAL

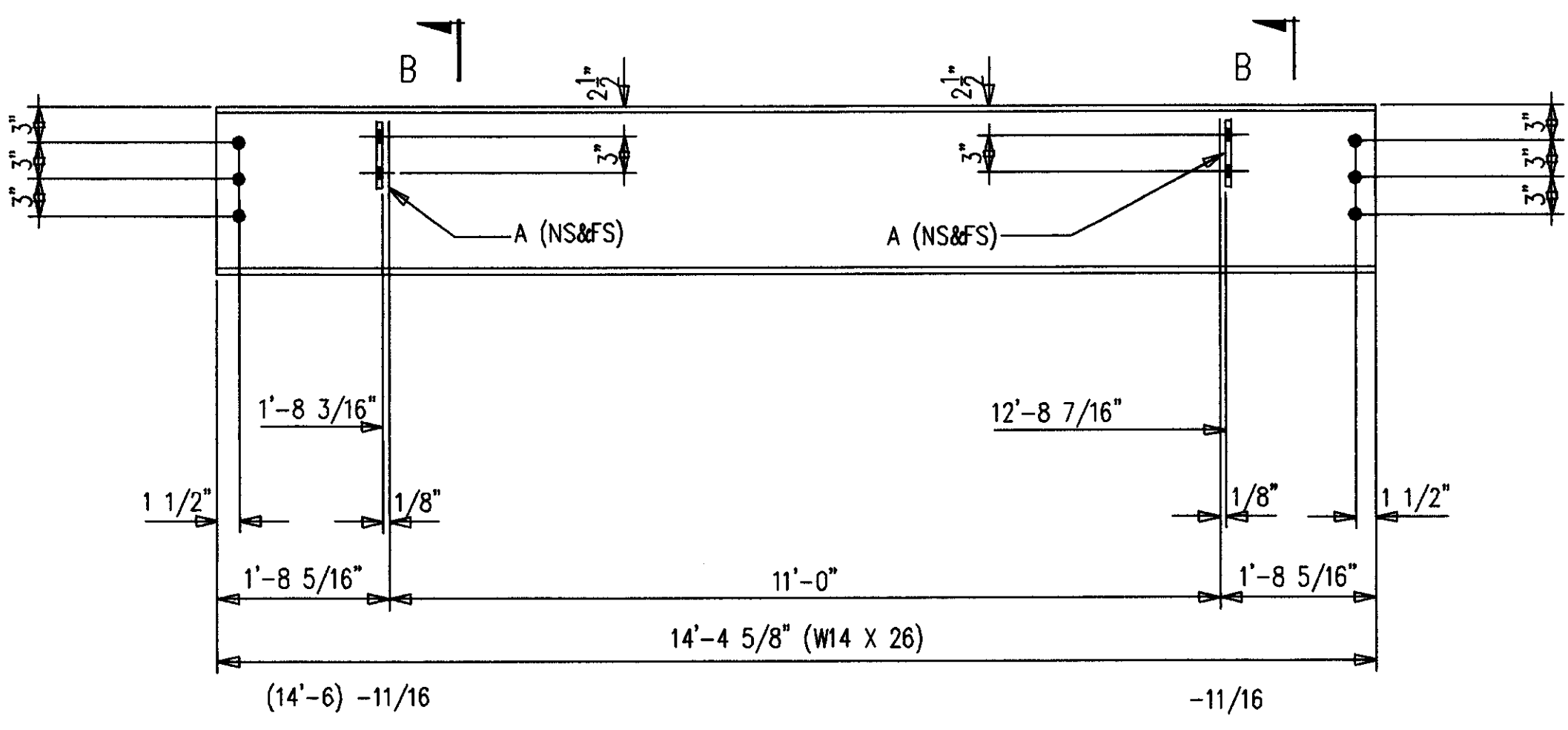
MARK	QUAN.	DESCRIPTION	LENGTH		REMARKS
			FT.	IN.	
449B1 L	ONE	BEAM			
449B1	1	W12X16 A572	11	10-3/4	P
449B1 R	ONE	BEAM			
449B1	1	W12X16 A572	11	10-3/4	P
449B2	2	BEAMS			
449B2	2	W8X24 A572	10	10 3/4	P
449B3	2	BEAMS			
449B3	2	W14X26 A572	14	4-5/8	P
A449	8	FB1/2X4	0	6	P
449B4 L	2	BEAMS			
449B4	2	W8X24 A572	8	9	P
A449	2	FB1/2X4	0	6	P
449B4 R	2	BEAMS			
449B4	2	W8X24 A572	8	9	P
A449	2	FB1/2X4	0	6	P
449B5 L	2	BEAMS			
449B5	2	W8X24 A572	12	5-5/8	P
A449	8	FB1/2X4	0	6	P
449B5 R	2	BEAMS			
449B5	2	W8X24 A572	12	5-5/8	P
A449	8	FB1/2X4	0	6	P
449B6	8	BEAMS			
449B6	8	W8X10 A572	10	10-3/4	P
		FIELD BOLTS			
F1636H	89	A490 1X2-1/4			
F16LI	89	A LOAD IND 1			



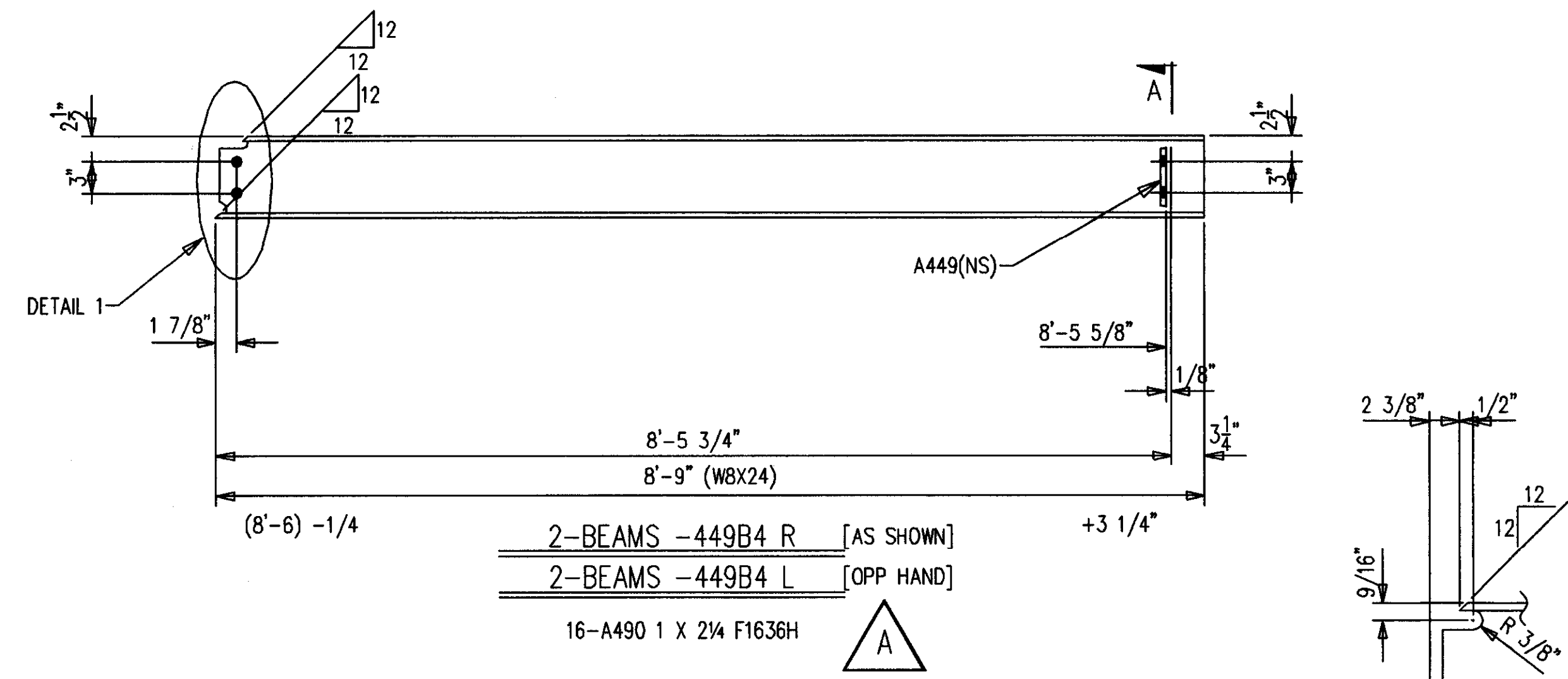
ONE-BEAM 449B1 R [AS SHOWN]  
ONE-BEAM 449B1 L [OPP HAND]  
12-A490 1 X 2 1/4 F1636H



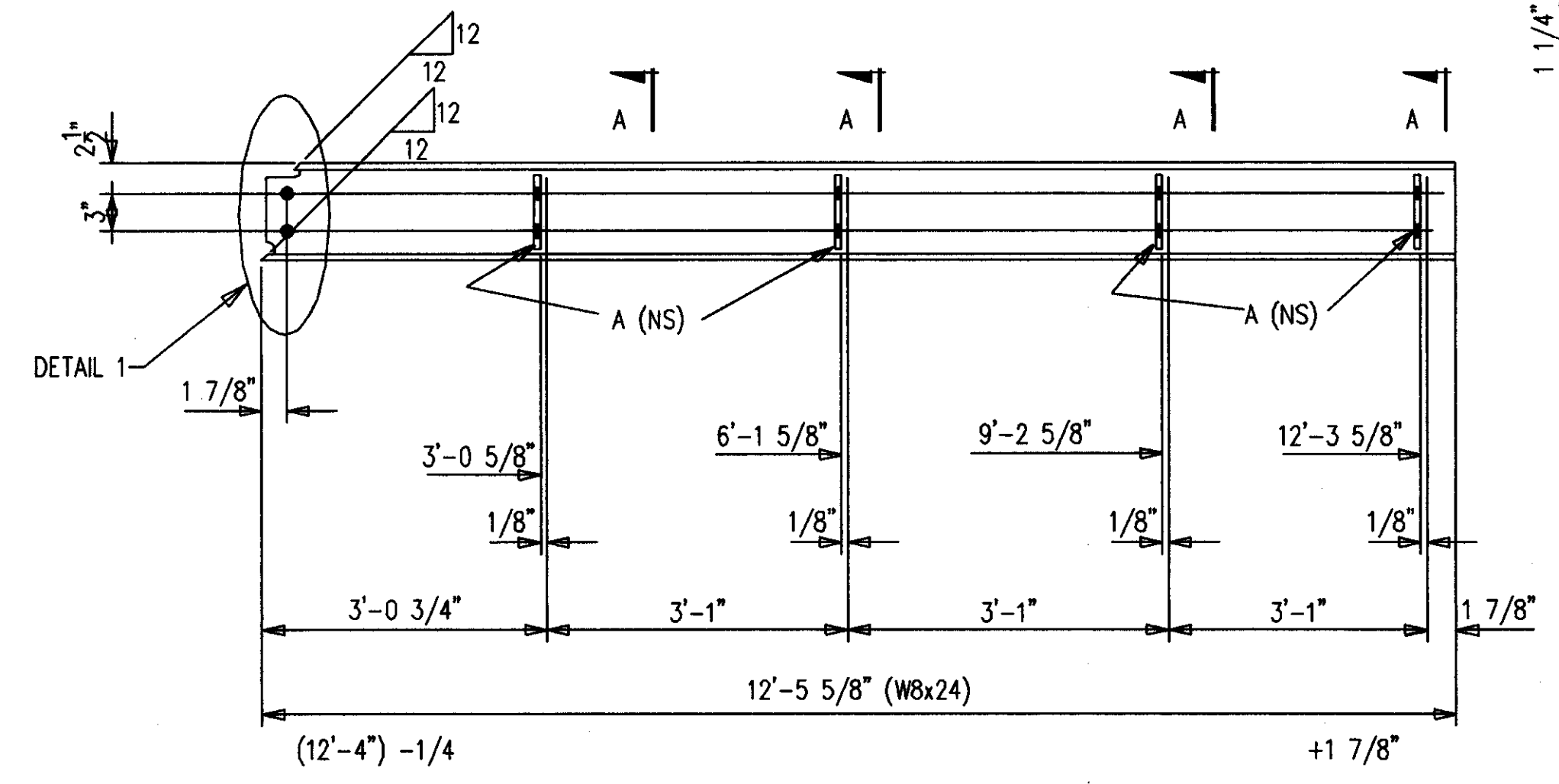
2-BEAMS 449B2  
8-A490 1 X 2 1/4 F1636H



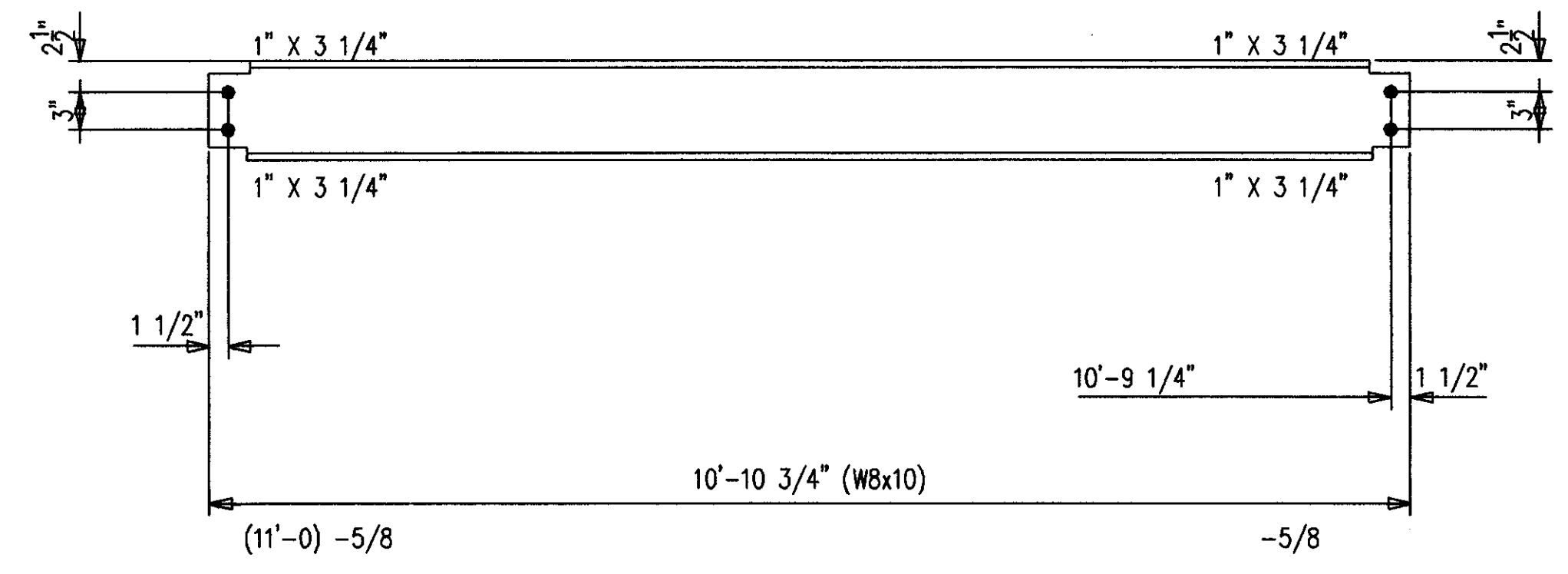
2-BEAMS 449B3  
12-A490 1 X 2 1/4 F1636H



2-BEAMS -449B4 R [AS SHOWN]  
2-BEAMS -449B4 L [OPP HAND]  
16-A490 1 X 2 1/4 F1636H

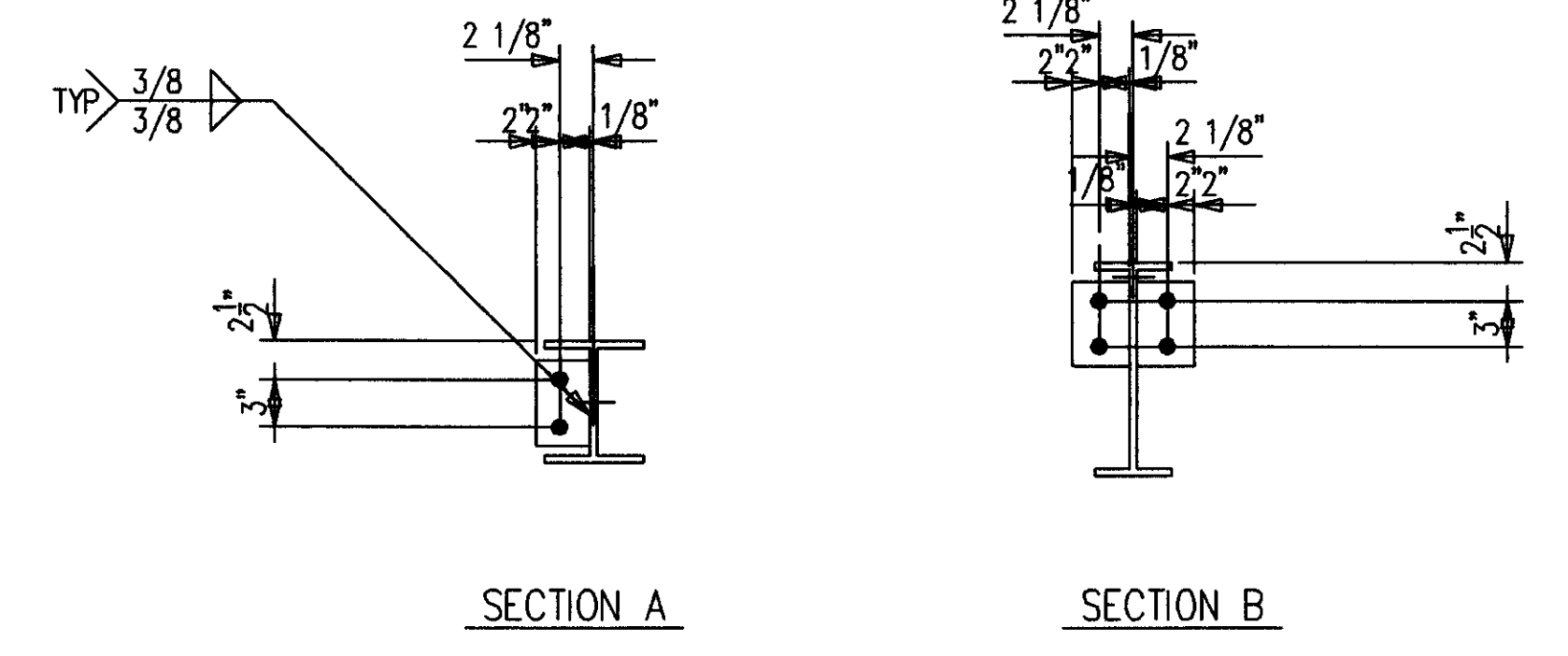
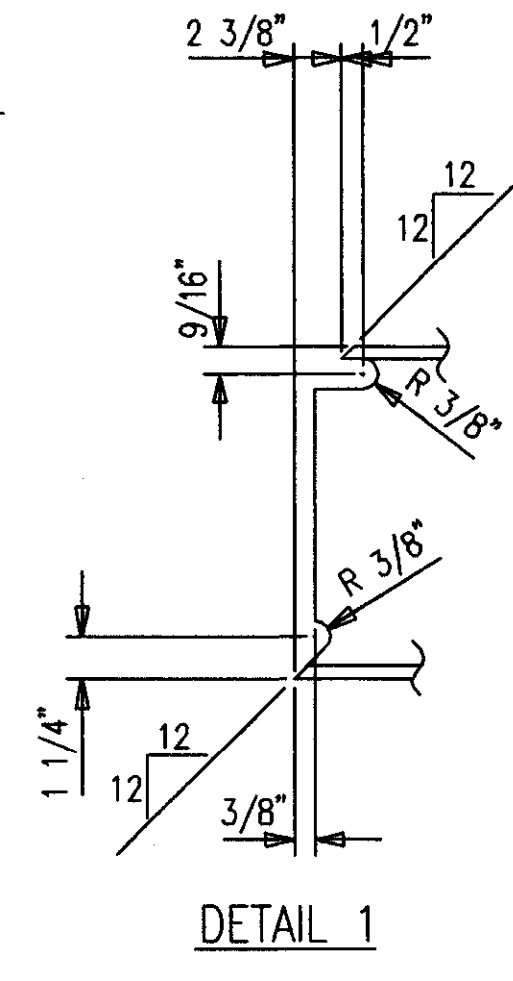


2-BEAMS 449B5 R [AS SHOWN]  
2-BEAMS 449B5 L [OPP HAND]  
8-A490 1 X 2 1/4 F1636H



8-BEAMS 449B6  
32-A490 1 X 2 1/4 F1636H

SHOP NOTES:  
1. PRIMER ONLY 3" AROUND ALL HOLES UNLESS NOTED PF(PRIMER/FINISH).  
2. P=PRIMER ONLY AS DIMENSIONED.  
3. NP=NO PAINT IN 3" WIDE STRIP, CENTER OF BEAM, FULL LENGTH.



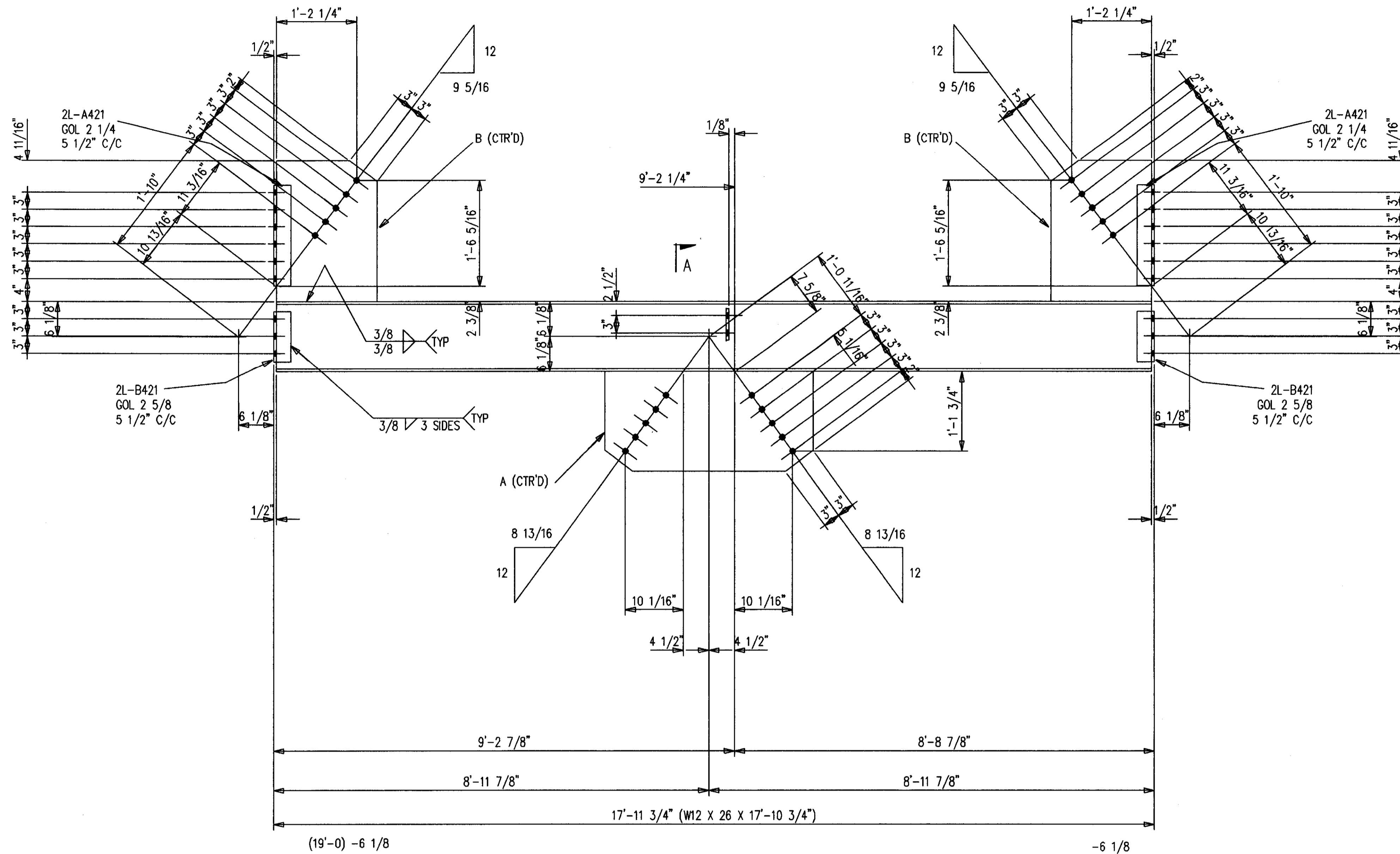
AS BUILT  
NAME: *Max Hughes*  
DATE: **AUG 16 1999**

ALL RE-ENTRANT CUTS MIN. 1/2" RAD. U/N	WELD ELECTRODE U/N E70XX	CHECKED BY GCL	CONTRACTOR TURNER CONSTRUCTION COMPANY
ALL A325 BOLTS w/ONE HARD WASH. AND HVY HEX NUT	SHOP PAINT SEE SPECS	DATE 9/98	ENGINEER WALTER P. MOORE AND ASSOCIATES, INC.
ALL A307 BOLTS w/HEX NUT			
DATE	APP	SHOP	FIELD

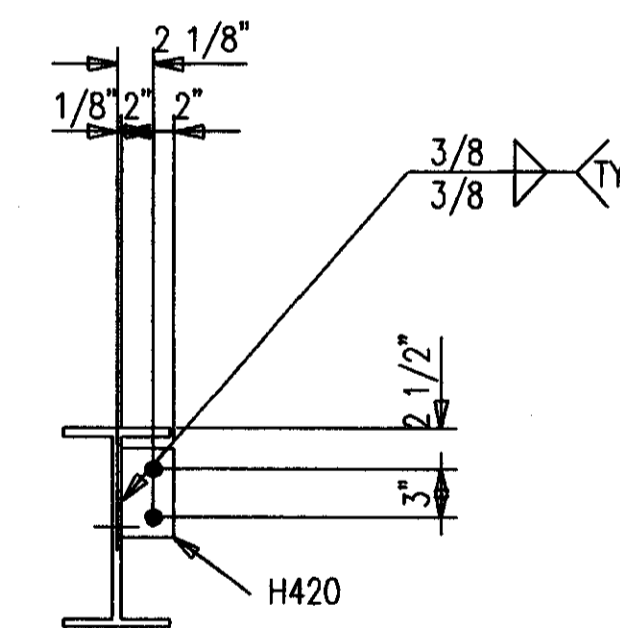
MID STATES STEEL PRODUCTS CO.  
FABRICATORS OF STRUCTURAL AND MISCELLANEOUS STEEL

P.O. BOX 1112B-2044 BUCK LANE  
LEXINGTON, KENTUCKY 40511  
PHONE: 606-233-4344 FAX: 606-233-4346

ORDER NO. P3524  
SHEET NO. 449



ONE-BEAM 450B1 R [AS SHOWN]  
 ONE-BEAM 450B1 L [OPP HAND]  
 72-A490 1 X 2 3/4 F1644H



SECTION A

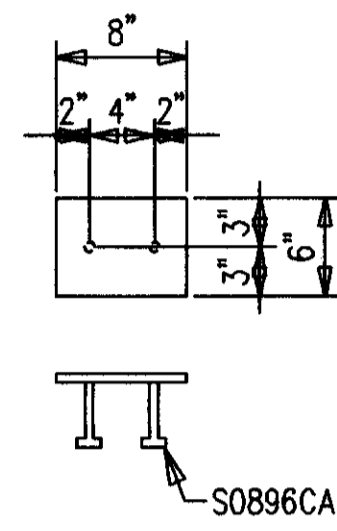
BILL OF MATERIAL

MARK	QUAN.	DESCRIPTION	LENGTH		REMARKS
			FT.	IN.	
450B1 L	ONE	BEAM			
450B1	1	W12X26 A572	17	10-3/4	
A421	4	L4X3X1/2	1	6	P
A450	1	PL1X16-11/16	2	11-3/4	P
B421	4	L4X3X1/2	0	9	P
B450	2	PL1X17-5/8	1	11-11/16	P
H420	1	FB1/2X4	0	6	P
450B1 R	ONE	BEAM			
450B1	1	W12X26 A572	17	10-3/4	
A421	4	L4X3X1/2	1	6	P
A450	1	PL1X16-11/16	2	11-3/4	P
B421	4	L4X3X1/2	0	9	P
B450	2	PL1X17-5/8	1	11-11/16	P
H420	1	FB1/2X4	0	6	P
		FIELD BOLTS			
F1644H	73	A490 1X2-3/4			
F16LI	73	A LOAD IND 1			

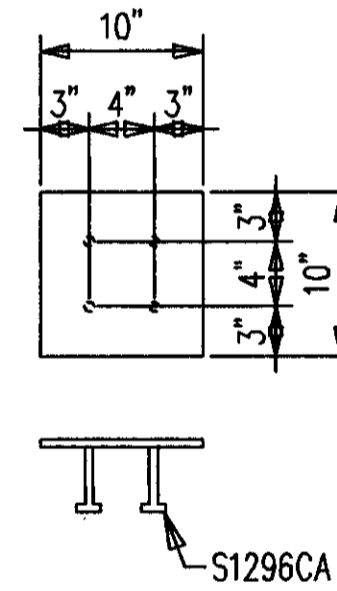
SHOP NOTES:  
 1. PRIMER ONLY 3" AROUND ALL HOLES UNLESS NOTED PF(PRIMER/FINISH).  
 2. P=PRIMER ONLY AS DIMENSIONED.  
 3. NP=NO PAINT IN 3" WIDE STRIP, CENTER OF BEAM, FULL LENGTH.

AS BUILT  
 NAME: *Map*  
 DATE: AUG 18 1999

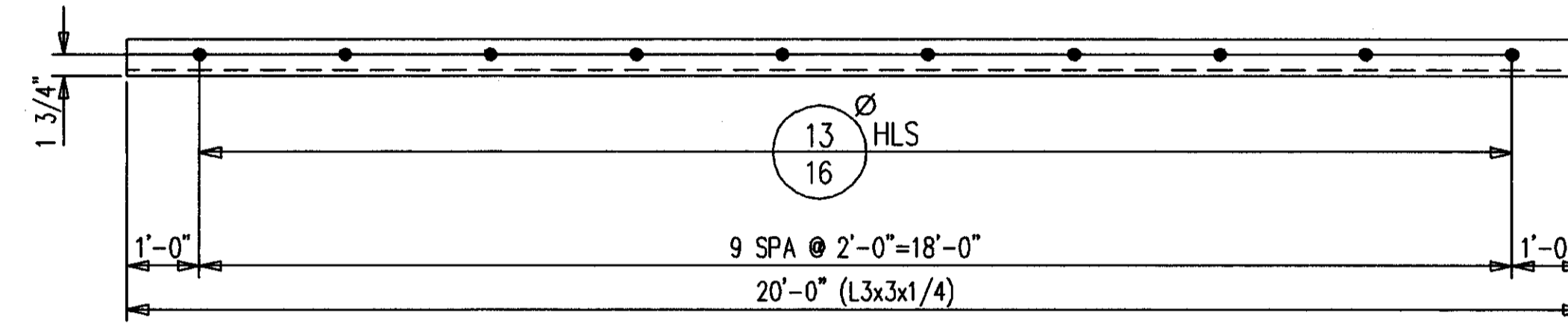
NO.	DATE	REVISION DESCRIPTION	DRAWN	CHKD	
CONTRACTOR TO CHECK ALL DIMENSIONS AT JOB AS MID STATES STEEL PRODUCTS CO. ASSUMES NO RESPONSIBILITY FOR GENERAL BUILDING DIMENSIONS. NO BACK CHARGES PERTAINING TO THIS WORK WILL BE ACCEPTED WITHOUT PRIOR AUTHORIZATION BY MID STATES STEEL PRODUCTS CO.					
MATERIAL U/M	A36	DRAWN BY	JDL	JOB NAME	COMMONWEALTH STADIUM EXPANSION
OPEN HOLES U/M	1 1/16"	DATE	9/98	JOB LOCATION	UNIVERSITY OF KENTUCKY
WELD ELECTRODE U/M	E70XX	CHECKED BY	GCL	CONTRACTOR	TURNER CONSTRUCTION COMPANY
SHOP PAINT	SEE SPECS	DATE	9/98	ENGINEER	WALTER P. MOORE AND ASSOCIATES, INC.
DRAWING TITLE: BEAMS					
DATE	APP	SHOP	FIELD	ORDER NO.	P3524
MID STATES STEEL PRODUCTS CO. P.O. BOX 11128-2044 BUCK LANE LEXINGTON, KENTUCKY 40511 PHONE: 606-253-4344 FAX: 606-253-4346				SHEET NO.	450
FABRICATORS OF STRUCTURAL AND MISCELLANEOUS STEEL					



58-PLATES 451M1



28-PLATES 451M3



42-ANGLES 451M2  
420-CONC ANCH 3/4 X 6 F1296C

BILL OF MATERIAL

SHIP MARK SUB MARK	NO. PCS.	DESCRIPTION	LENGTH		C U S T	REMARKS
			FT.	IN.		
451M1	58	PLATES				
451M1	58	FB1/2X6	0	8		
S0896CA	116	A STUD 1/2X6				CONC ANCHR
451M2	42	ANGLES				
451M2	42	L3X3X1/4	20	0		P
451M3	28	PLATES				
451M3	28	FB3/8X10	0	10		
S1296CA	112	A STUD 3/4X6				CONC ANCHR
451M4	8	ANGLES				
451M4	8	L4X4X1/4	6	0		PLAIN
451M5	20	ANGLES				
451M5	20	L4X4X1/4	4	11		PLAIN
		FIELD BOLTS				
F1296C	428	A CONC 3/4X6				

**AS BUILT**  
NAME: *Walter Moore*  
DATE: **AUG 16 1999**

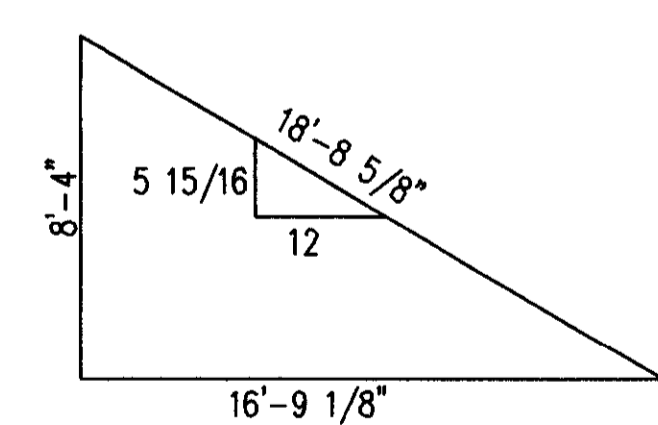
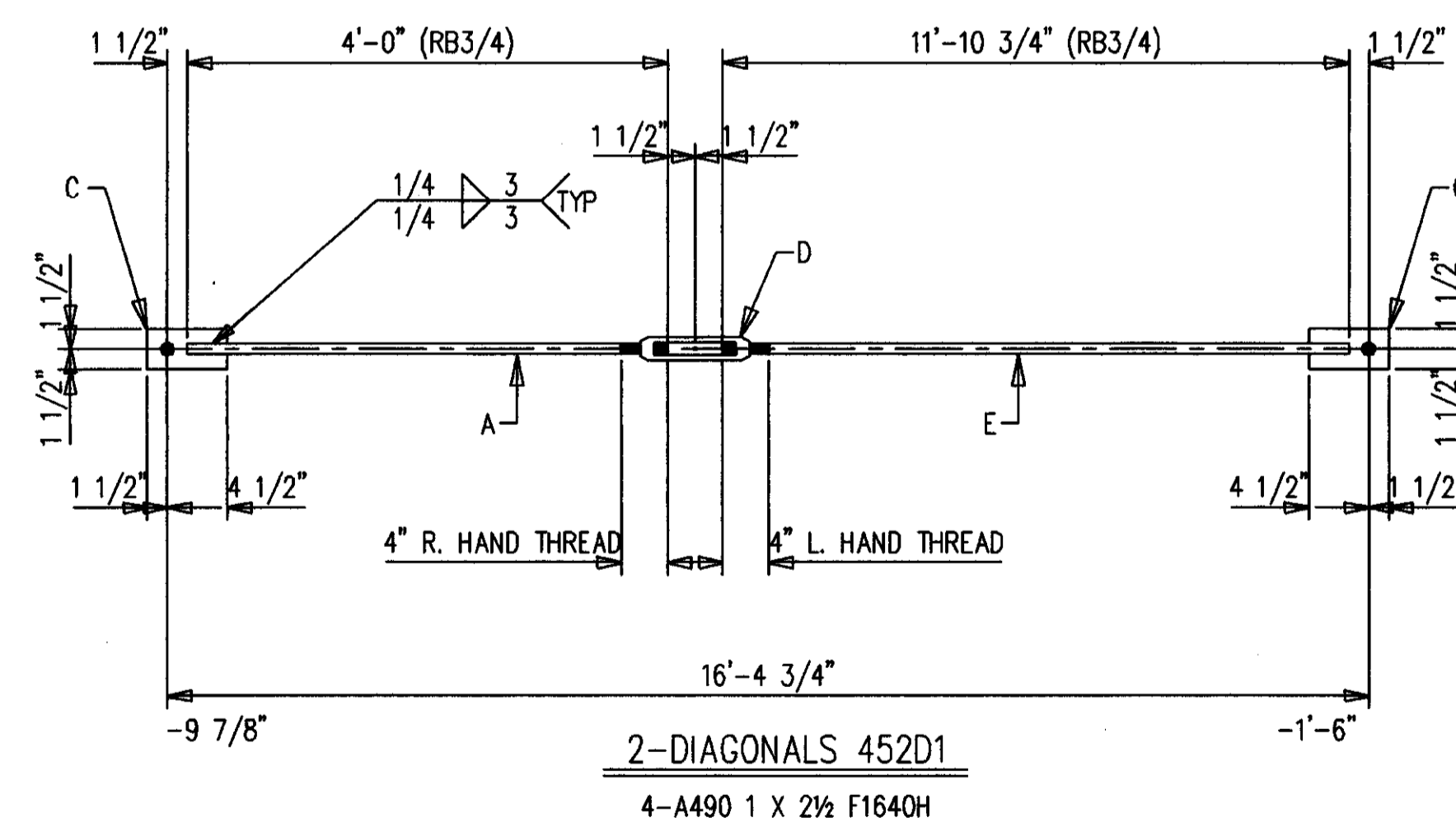
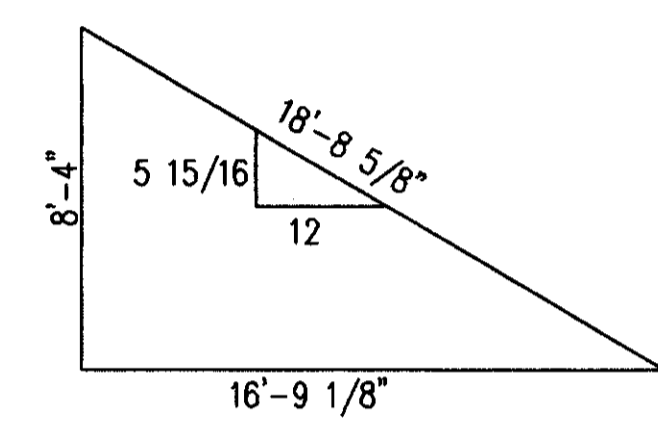
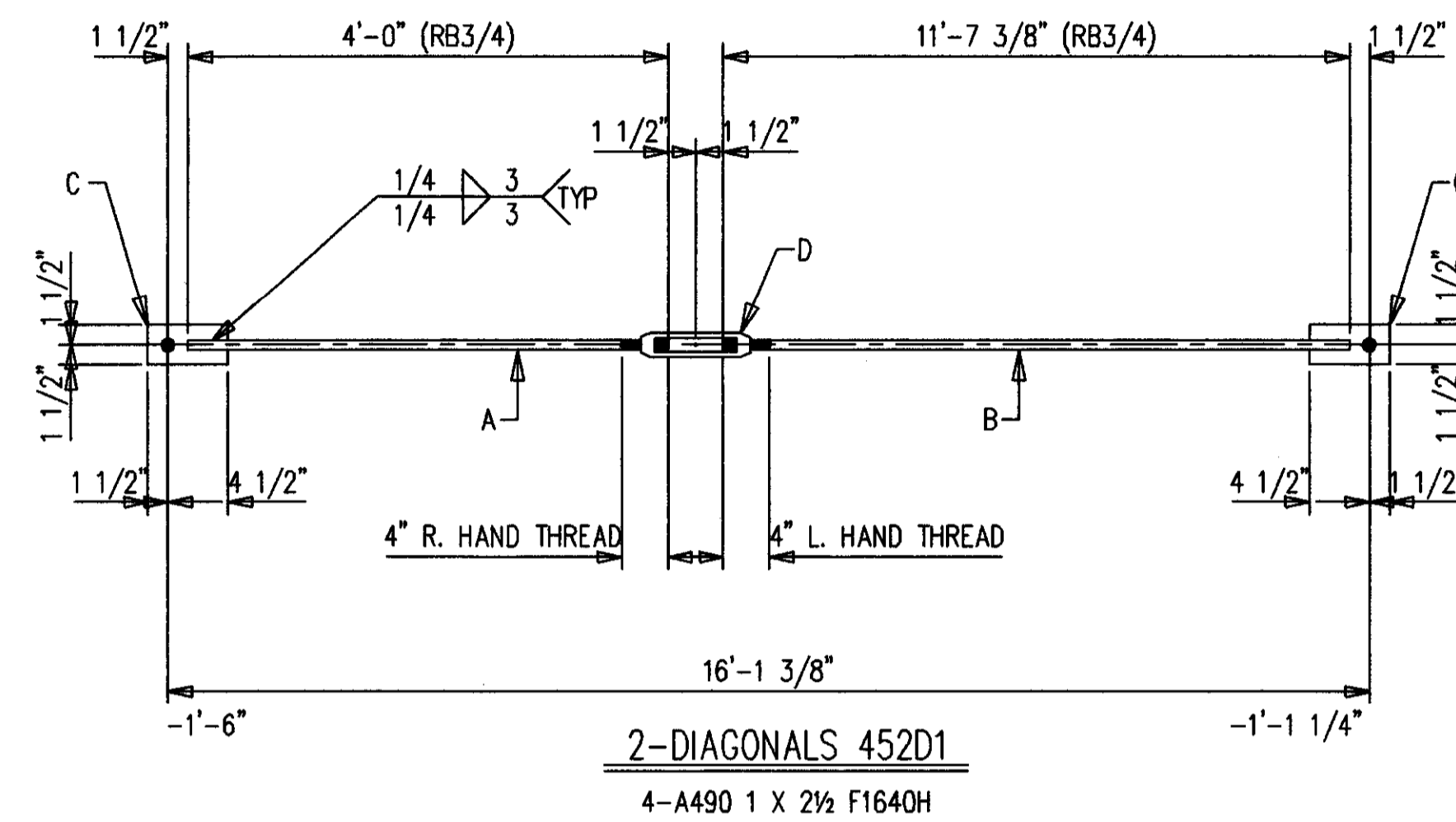
DATE	APP	SHOP	FIELD

NO. DATE		REVISION DESCRIPTION		DWG. L. CO.	
CONTRACTOR TO CHECK ALL DIMENSIONS AT JOB AS MID STATES STEEL PRODUCTS CO. ASSUMES NO RESPONSIBILITY FOR GENERAL BUILDING DIMENSIONS. NO BACK CHARGES PERTAINING TO THIS WORK WILL BE ACCEPTED WITHOUT PRIOR AUTHORIZATION BY MID STATES STEEL PRODUCTS CO.					
MATERIAL U/A	A36	DRAWN BY	DFD	JOB NAME	COMMONWEALTH STADIUM EXPANSION
OPEN HOLES U/A	13/16" Ø	DATE	12/98	JOB LOCATION	UNIVERSITY OF KENTUCKY
WELD ELECTRODE U/A	E70XX	CHECKED BY	GCL	CONTRACTOR	TURNER CONSTRUCTION COMPANY
SHOP PAINT	SEE SPECS	DATE	12/98	ENGINEER	WALTER P. MOORE
DRAWING TITLE	EMBEDS, DECK SUPPORT AND KICKERS FOR E200R-R/L				
P.O. BOX 11128-2044 BUCK LANE LEXINGTON, KENTUCKY 40511 PHONE: 606-233-4344 FAX: 606-233-4346				ORDER NO.	P3524
FABRICATORS OF STRUCTURAL AND MISCELLANEOUS STEEL				SHEET NO.	451



BILL OF MATERIAL

SHIP MARK SUB MARK	NO. PCS.	DESCRIPTION	LENGTH		CL U S T	REMARKS
			FT.	IN.		
452D1	2	DIAGONALS				
A452	2	RB3/4	4	0		R. H. THRD
B452	2	RB3/4	11	7-3/8		L. H. THRD
C452	4	FB1/2X3	0	6		P
D452	2	X TURNBUCKLE 3/4X6				
452D2	2	DIAGONALS				
A452	2	RB3/4	4	0		R. H. THRD
C452	4	FB1/2X3	0	6		P
D452	2	X TURNBUCKLE 3/4X6				
E452	2	RB3/4	11	10-3/4		L. H. THRD
		FIELD BOLTS				
F1640H	9	A490 1X2-1/2				
F161IW	9	A LOAD IND 1				



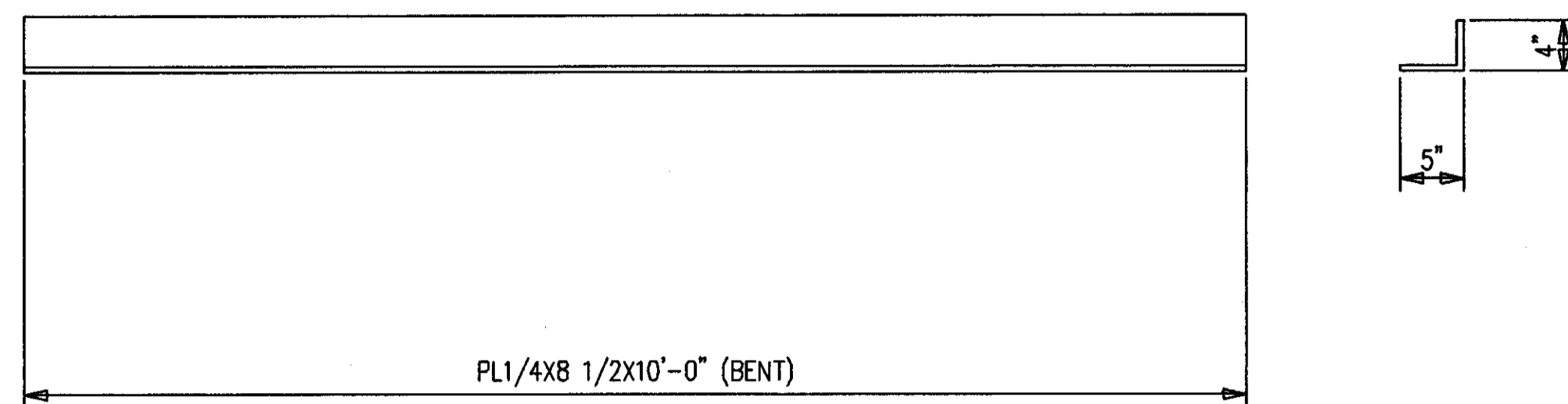
**AS BUILT**  
NAME: *Map Hughes*  
DATE: **AUG 16 1999**

NO.		DATE		REVISION DESCRIPTION		DWG. NO.	
CONTRACTOR TO CHECK ALL DIMENSIONS AT JOB AS MID STATES STEEL PRODUCTS CO. ASSUMES NO RESPONSIBILITY FOR GENERAL BUILDING DIMENSIONS. NO BACK CHARGES PERTAINING TO THIS WORK WILL BE ACCEPTED WITHOUT PRIOR AUTHORIZATION BY MID STATES STEEL PRODUCTS CO.							
MATERIAL U/N	A36	DRAWN BY	DFD	JOB NAME	COMMONWEALTH STADIUM EXPANSION		
OPEN HOLES U/N	1 1/16" Ø	DATE	12/98	JOB LOCATION	UNIVERSITY OF KENTUCKY		
WELD ELECTRODE U/N	E70XX	CHECKED BY	GCL	CONTRACTOR	TURNER CONSTRUCTION COMPANY		
SHOP PAINT	SEE SPECS	DATE	12/98	ENGINEER	WALTER P. MOORE		
ALL A307 BOLTS w/HEX NUT				DRAWING TITLE			
				ROD BRACING AT COL. LINE LB.5			
DATE	APP	SHOP	FIELD	P.O. BOX 11128-2044 BUCK LANE LEXINGTON, KENTUCKY 40511 PHONE: 606-233-4344 FAX: 606-233-4346			
				ORDER NO. <b>P3524</b>			
				SHEET NO. <b>452</b>			

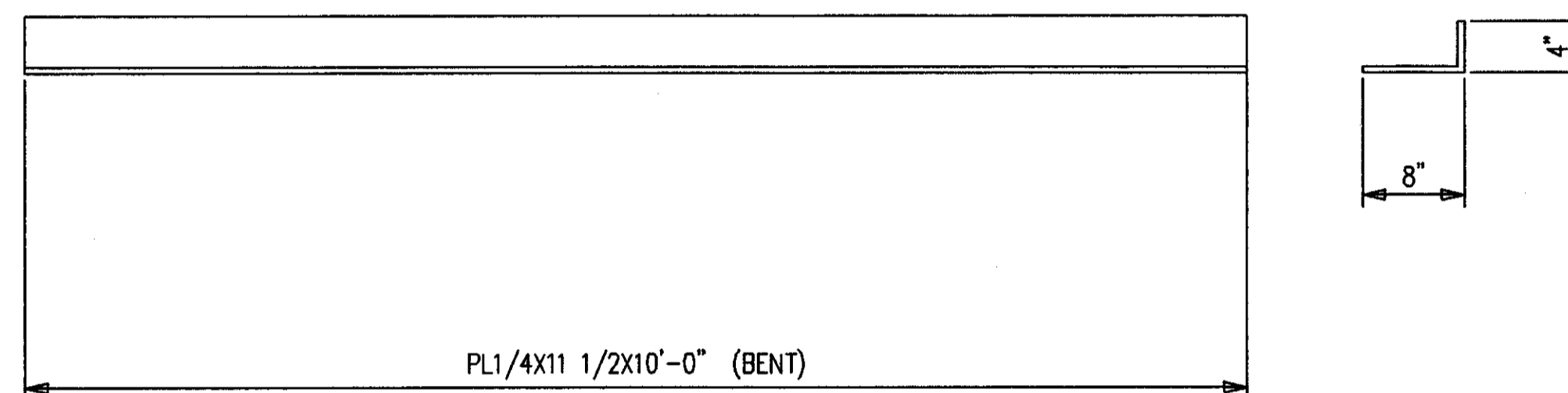
**MID STATES STEEL PRODUCTS CO.**  
FABRICATORS OF STRUCTURAL AND MISCELLANEOUS STEEL

BILL OF MATERIAL

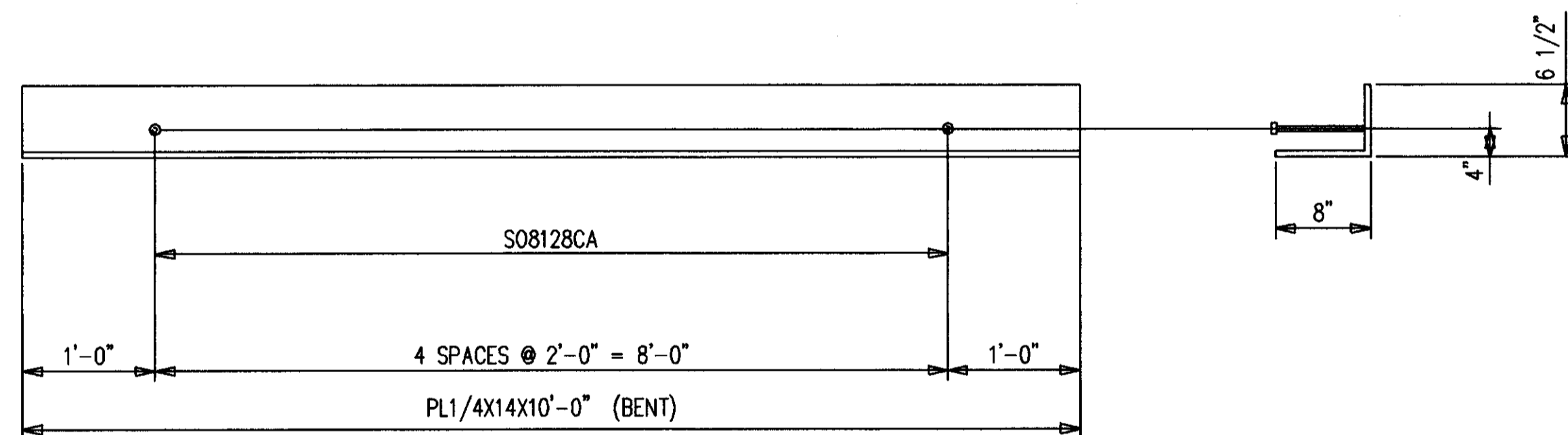
SHIP MARK SUB MARK	NO. PCS.	DESCRIPTION	LENGTH		CUTS	REMARKS
			FT.	IN.		
453M1	20	BENT PLATES				
453M1	20	PL1/4X8-1/2	10	0		BENT
453M2	32	BENT PLATES				
453M2	32	PL1/4X11-1/2	10	0		BENT
453M3	82	BENT PLATES				
453M3	82	PL1/4X14	10	0		BENT
S08128CA	410	A STUD 1/2X8				
453M4	12	EDGE PLATES				
453M4	12	FB1/4X6-1/2	10	0		
S08128CA	60	A STUD 1/2X8				
453M5	8	BENT PLATES				
453M5	8	PL1/4X21	10	0		BENT
S08128CA	40	A STUD 1/2X8				



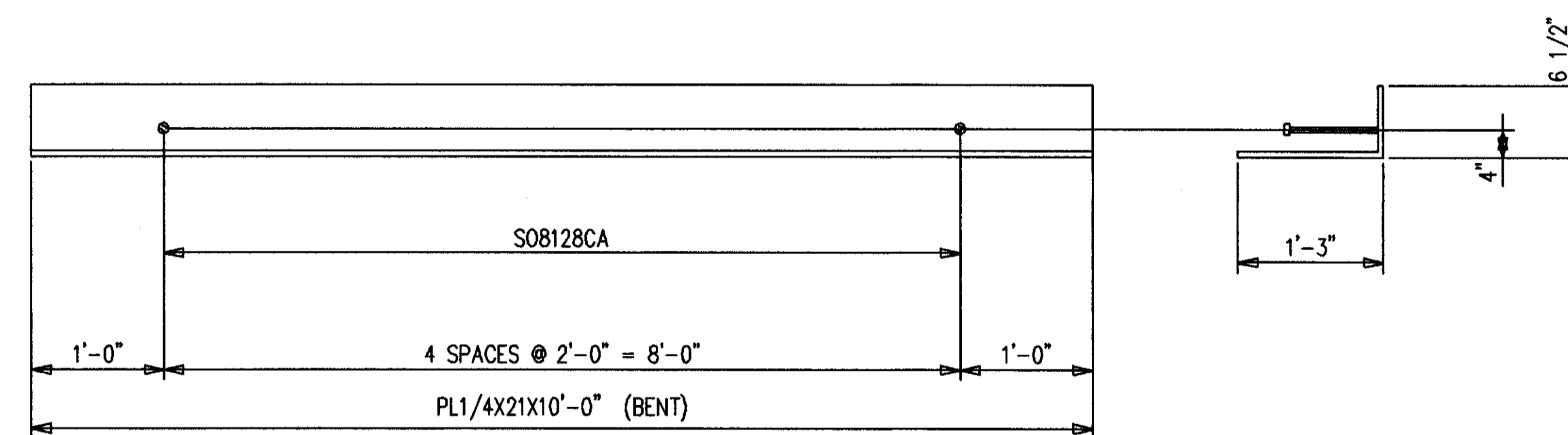
20-BENT PLATES 453M1



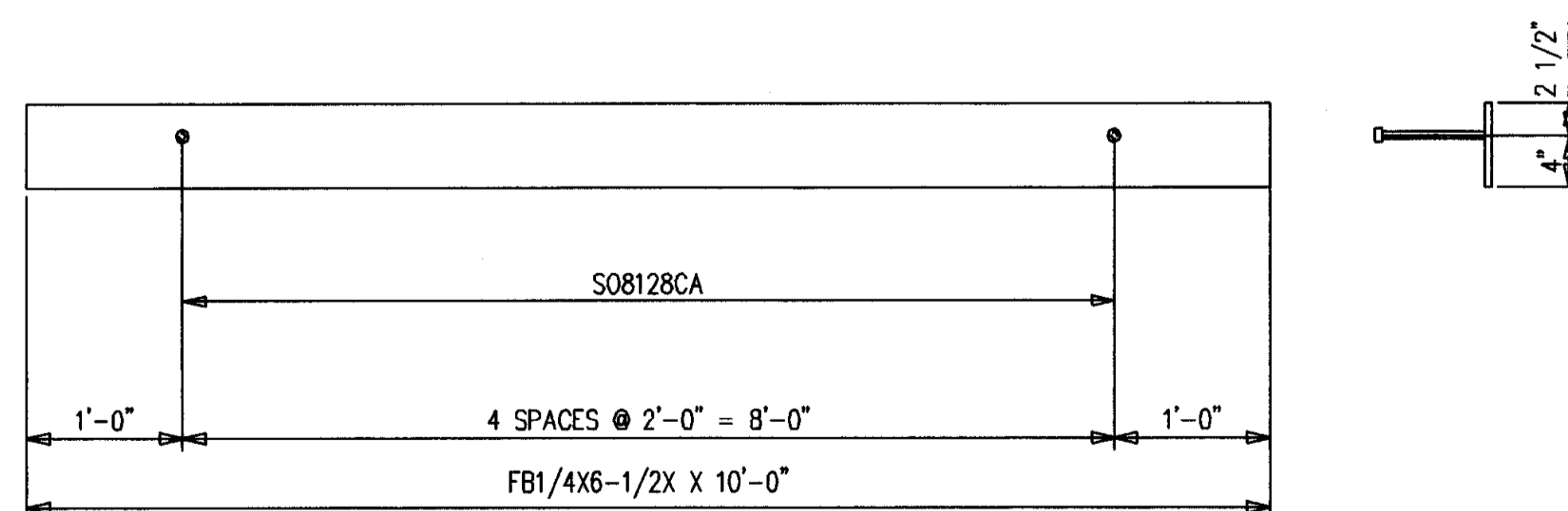
32-BENT PLATES 453M2



82-BENT PLATES 453M3



8-BENT PLATES 453M5  
AT ELEVATOR WALL



12-EDGE PLATES 453M4

**AS BUILT**  
NAME: *Max Hughes*  
DATE: **AUG 16 1999**

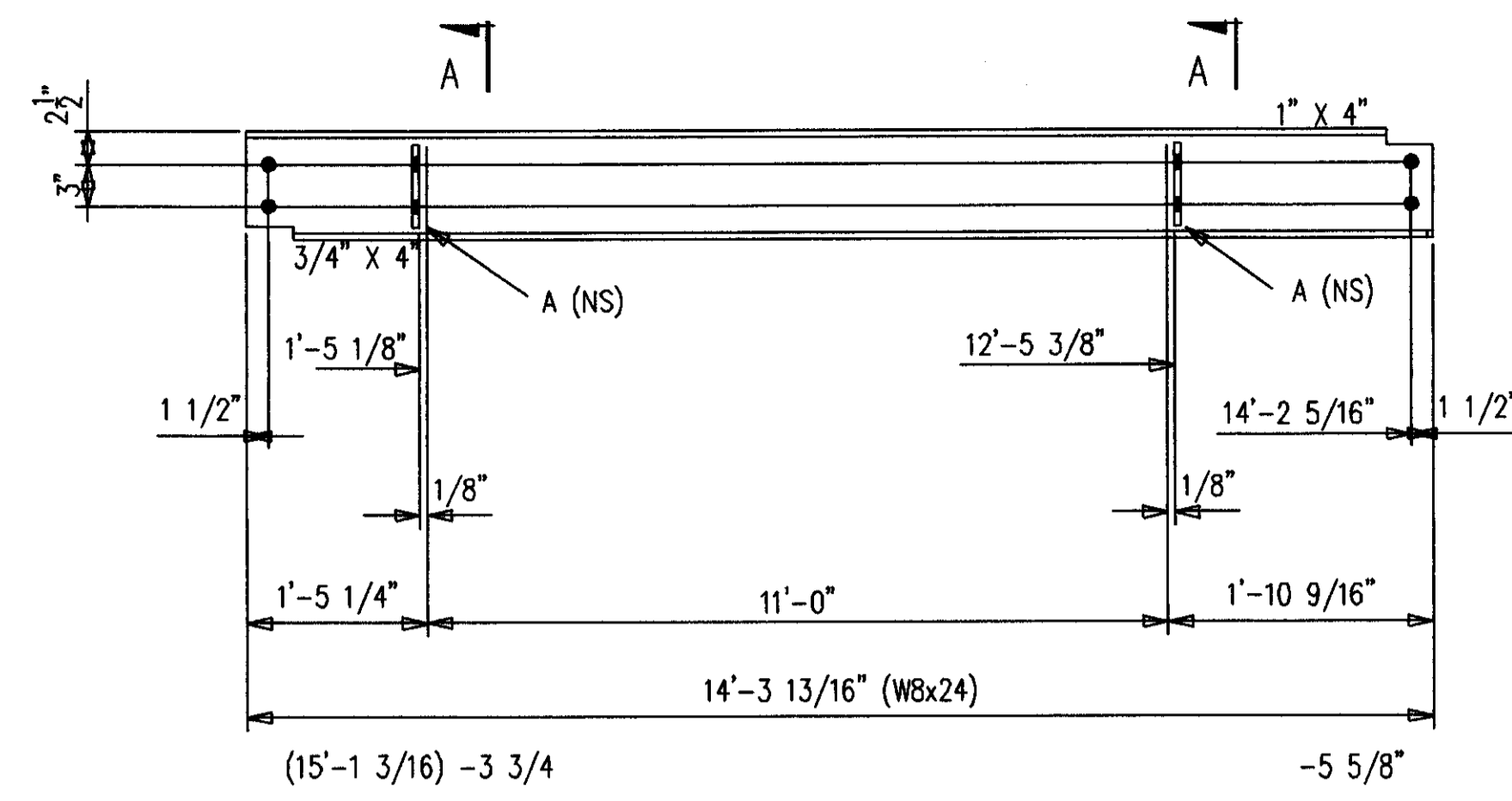
DATE	APP	SHOP	FIELD

NO. DATE		REVISION DESCRIPTION		DMN	CHD
CONTRACTOR TO CHECK ALL DIMENSIONS AT JOB AS MID STATES STEEL PRODUCTS CO. ASSUMES NO RESPONSIBILITY FOR GENERAL BUILDING DIMENSIONS. NO BACK CHARGES PERTAINING TO THIS WORK WILL BE ACCEPTED WITHOUT PRIOR AUTHORIZATION BY MID STATES STEEL PRODUCTS CO.					
MATERIAL U/N	A36	DRAWN BY	KMP	JOB NAME	COMMONWEALTH STADIUM EXPANSION
OPEN HOLES U/N	1-1/16φ	DATE	2-99	JOB LOCATION	UNIVERSITY OF KENTUCKY
WELD ELECTRODE U/N	E70XX	CHECKED BY	GCL	CONTRACTOR	TURNER CONSTRUCTION COMPANY
ALL A325 BOLTS w/ONE HARD WASH. AND HVY HEX NUT	SEE SPECS	DATE	2-99	ENGINEER	WALTER P. MOORE
ALL A307 BOLTS w/HEX NUT		DRAWING TITLE	BENT PLATE		
P.O. BOX 11128-2044 BUCK LANE LEXINGTON, KENTUCKY 40511 PHONE: 606-233-4344 FAX: 606-233-4346				ORDER NO.	P3524
FABRICATORS OF STRUCTURAL AND MISCELLANEOUS STEEL				SHEET NO.	453

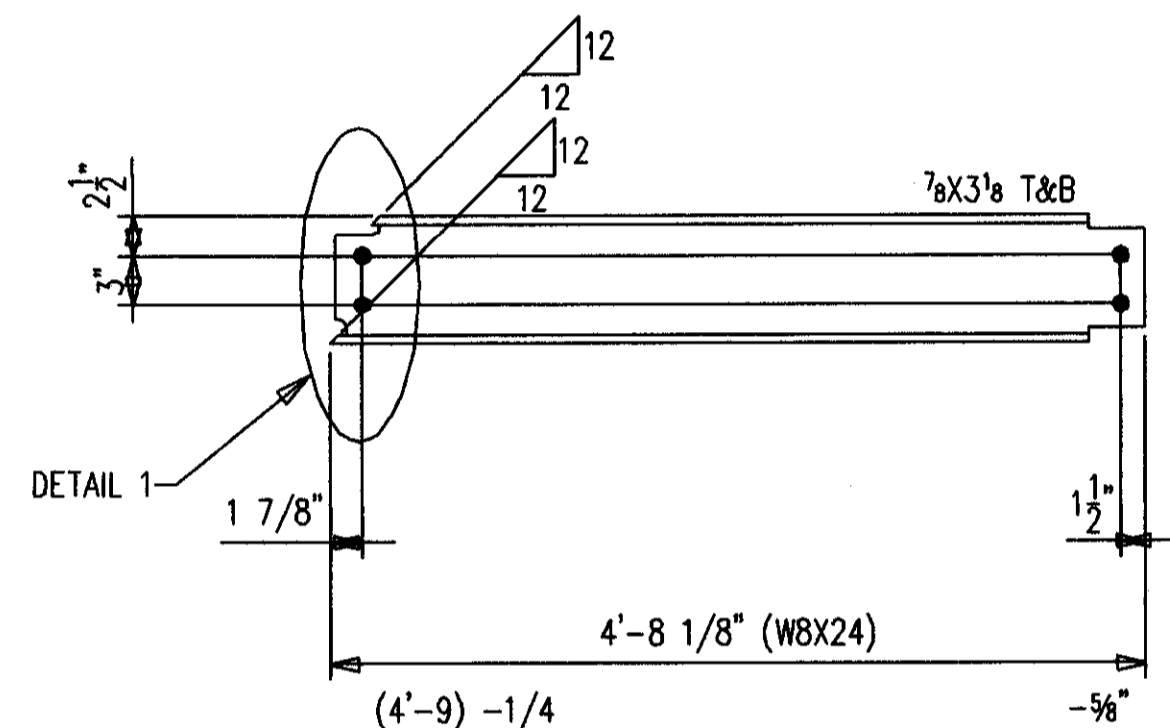
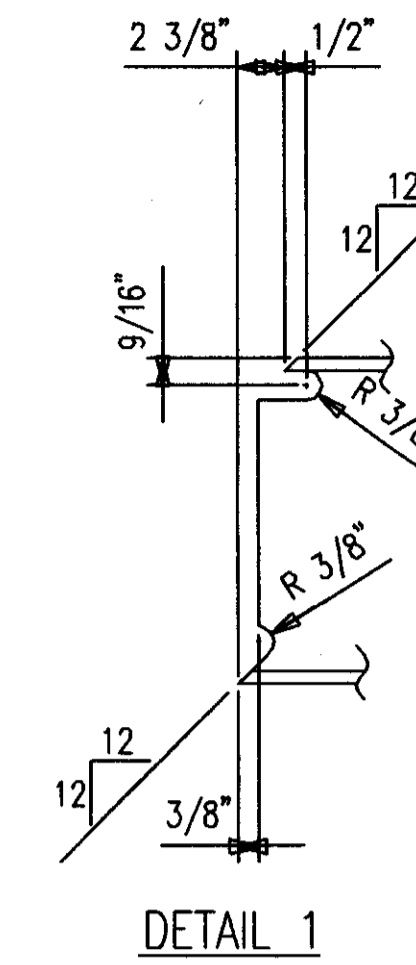
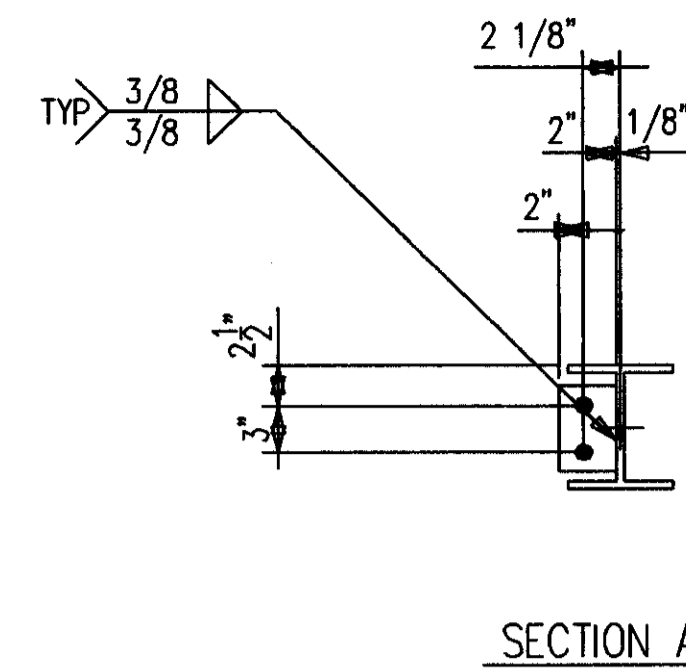
Doc # 34828  
206 B-2

BILL OF MATERIAL

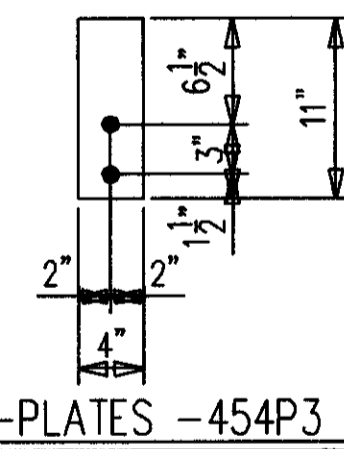
MARK	QUAN.	DESCRIPTION	LENGTH		REMARKS
			FT.	IN.	
454B1 L	ONE	BEAM			
454B1	1	W8X24	14	3-13/16	P
A454	2	FB1/2X4	0	6	P
454B1 R	ONE	BEAM			
454B1	1	W8X24	14	3-13/16	P
A454	2	FB1/2X4	0	6	P
454B2	4	BEAMS			
454B2	4	W8X24	4	8-1/8	P/SHAPE
454P3	2	PLATES			
454P3	2	FB1/2X4	0	11	P
454P4	2	PLATES			
454P4	2	PL1/2X6-5/8	0	7-1/2	P/SHAPE
		FIELD BOLTS			
F1640H	25	A490 1X2-1/2			
F16LIW	26	A LOAD IND 1			



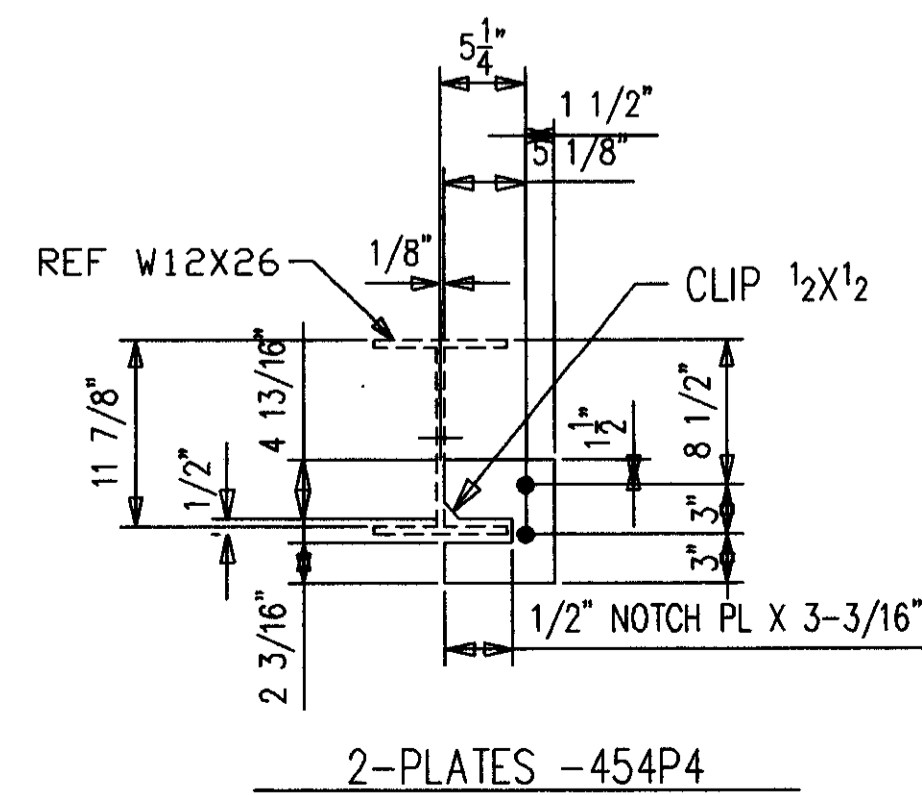
ONE-BEAM 454B1 R [AS SHOWN]  
 ONE-BEAM 454B1 L [OPP HAND]  
 8-A490 1 X 2 1/2 F1640H



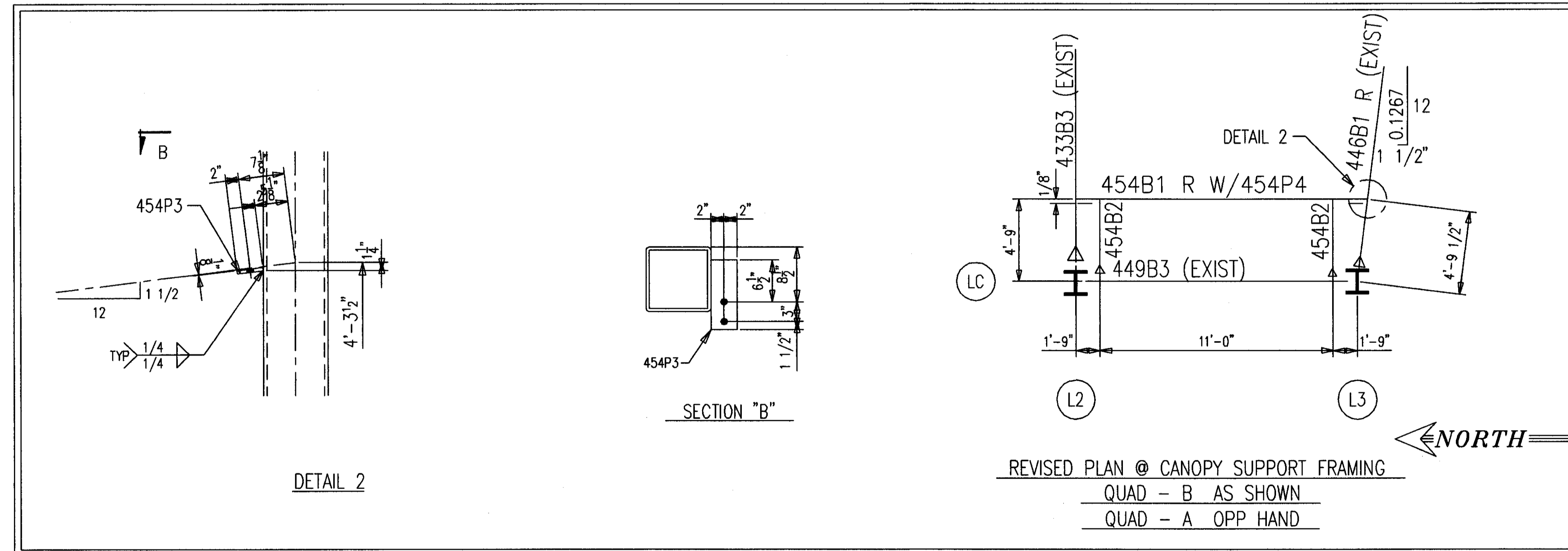
4-BEAMS - 454B2  
 16-A490 1 X 2 1/2 F1640H



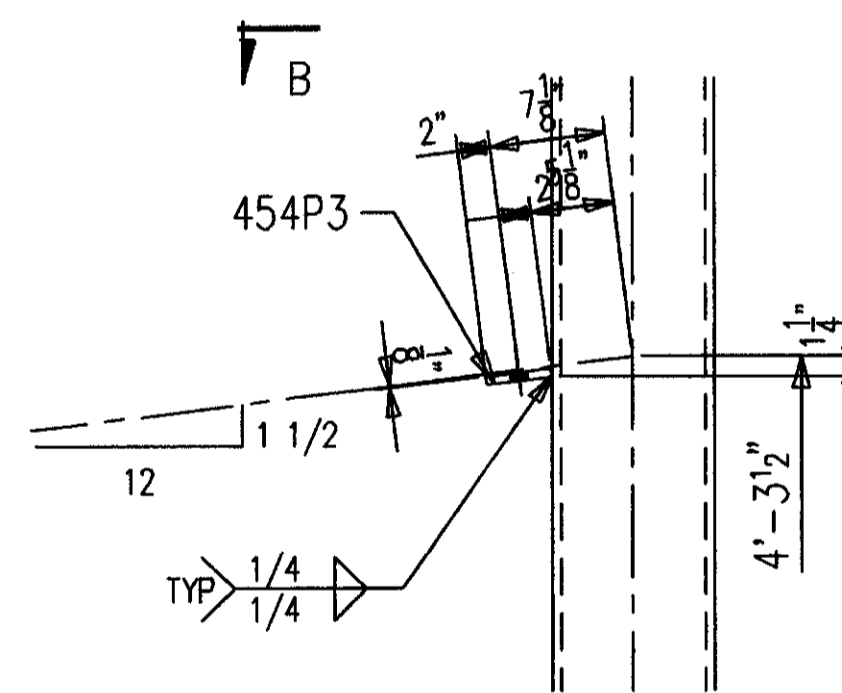
2-PLATES - 454P3



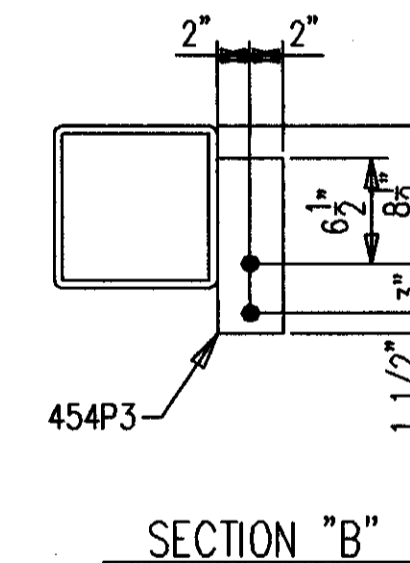
2-PLATES - 454P4



REVISED PLAN @ CANOPY SUPPORT FRAMING  
 QUAD - B AS SHOWN  
 QUAD - A OPP HAND



DETAIL 2



SECTION "B"

SHOP NOTES:  
 1. PRIMER ONLY

AS BUILT  
 [Signature]  
 AUG 18 1999

REF. C339.1

ALL RE-ENTRANT CUTS MIN. 1/2" RAD. U/N	ALL A325 BOLTS w/ONE HARD WASH. AND HVY HEX NUT	ALL A307 BOLTS w/HEX NUT	DATE	APP	SHOP	FIELD
WELD ELECTRODE U/N E70XX	SHOP PAINT SEE SPECS	DATE				
CONTRACTOR TO CHECK ALL DIMENSIONS AT JOB AS MID STATES STEEL PRODUCTS CO. ASSUMES NO RESPONSIBILITY FOR GENERAL BUILDING DIMENSIONS. NO BACK CHANGES PERTAINING TO THIS WORK WILL BE ACCEPTED WITHOUT PRIOR AUTHORIZATION BY MID STATES STEEL PRODUCTS CO.						
MATERIAL U/N A36 OPEN HOLES U/N 1 1/16"		DRAWN BY RC DATE 6/99		JOB NAME COMMONWEALTH STADIUM EXPANSION JOB LOCATION UNIVERSITY OF KENTUCKY		
WELD ELECTRODE U/N E70XX SHOP PAINT SEE SPECS		CHECKED BY CONTRACTOR DATE		ENGINEER WALTER P. MOORE AND ASSOCIATES, INC.		
DRAWING TITLE PLAN @ CANOPY & DETAILS, BEAMS & PLATES QUADS A AND B						
P.O. BOX 11128-2044 BUCK LANE LEXINGTON, KENTUCKY 40511 PHONE: 606-233-4344 FAX: 606-233-4346						ORDER NO. P3524 SHEET NO. 454

## BILL OF MATERIAL

SHIP MARK SUB MARK	NO. PCS.	DESCRIPTION	LENGTH		CL LIST	REMARKS
			FT.	IN.		
*500B1 L	2	BEAMS				
500B1	2	W16X26 A572	9	4-3/4	P	
A501	2	FB1/2X4	1	0	P	
*500B1 R	2	BEAMS				
500B1	2	W16X26 A572	9	4-3/4	P	
A501	2	FB1/2X4	1	0	P	
500B2	4	BEAMS				
500B2	4	W16X26 A572	14	4-5/8	P	
A500	8	FB1/2X4	0	9	P	
500B3 L	ONE	BEAM				
500B3	1	W16X26 A572	14	4-5/8	P	
A500	1	FB1/2X4	0	9	P	
500B3 R	ONE	BEAM				
500B3	1	W16X26 A572	14	4-5/8	P	
A500	1	FB1/2X4	0	9	P	
500B4	8	BEAMS				
500B4	8	W16X26 A572	14	11-9/16	P	
A500	16	FB1/2X4	0	9	P	
500B5 L	ONE	BEAM				
500B5	1	W16X26 A572	14	11-9/16	P	
A500	1	FB1/2X4	0	9	P	
500B5 R	ONE	BEAM				
500B5	1	W16X26 A572	14	11-9/16	P	
A500	1	FB1/2X4	0	9	P	
500B6	2	BEAMS				
500B6	2	W16X26 A572	9	4-5/8	P	
B500	4	PL1X8-3/8	1	2-15/16	P	
500B7	2	BEAMS				
500B7	2	W16X26 A572	14	4-5/8	P	
A500	4	FB1/2X4	0	9	P	
*500B8	2	BEAMS				
500B8	2	W12X16 A572	5	2-3/4	P	
*500B9 L	ONE	BEAM				
500B9	1	W16X26 A572	9	2-3/4	P	
A500	1	FB1/2X4	0	9	P	
*500B9 R	ONE	BEAM				
500B9	1	W16X26 A572	9	2-3/4	P	
A500	1	FB1/2X4	0	9	P	
		FIELD BOLTS				
*F1636H	224	A490 1X2-1/4				
*F16LIW	224	A LOAD IND 1				

SHOP NOTES:  
1. ALL STEEL PRIMER ONLY.

**AS BUILT**

NAME: *W. J. Hughes*  
DATE: **AUG 16 1999**

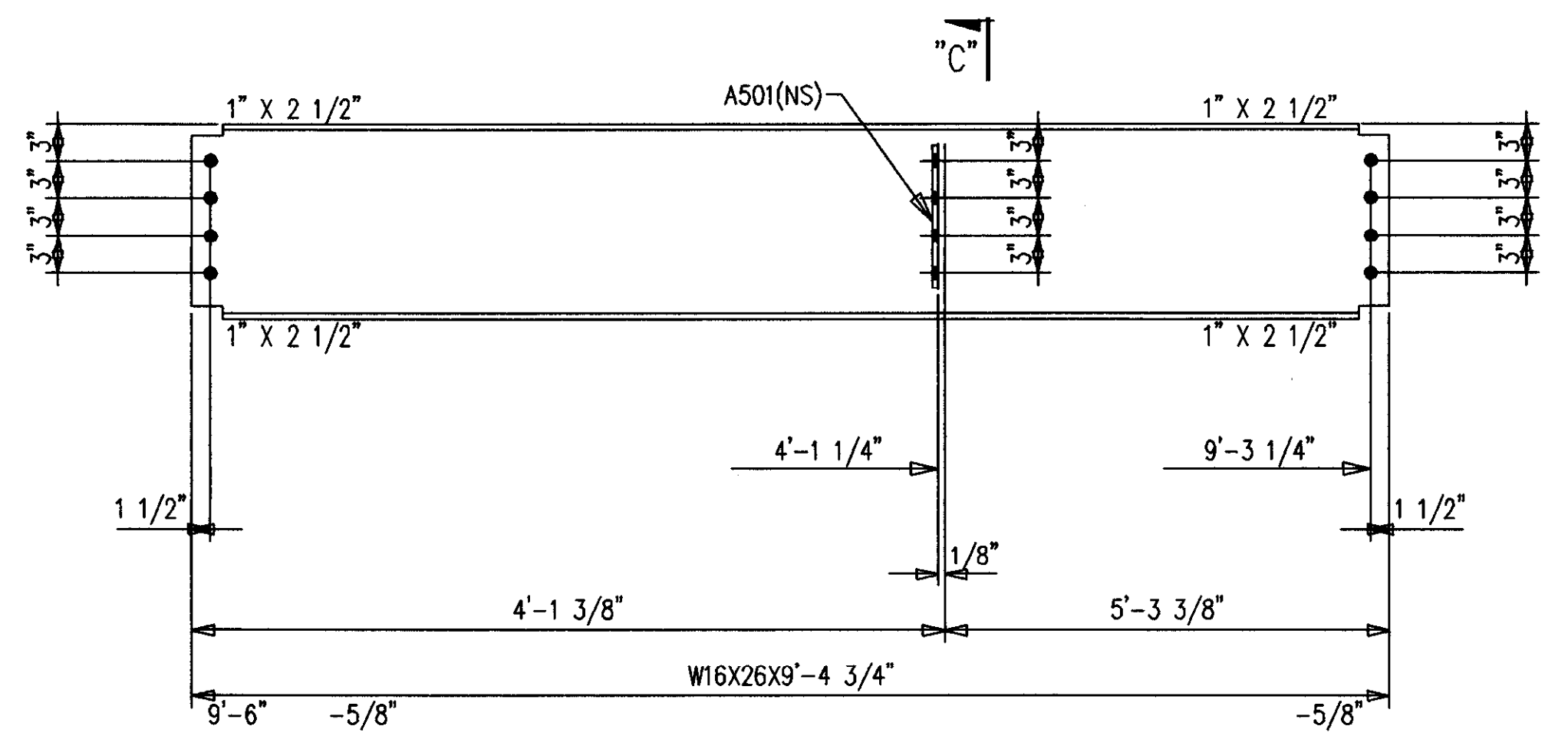
ALL RE-ENTRANT CUTS  
MIN. 1/2" RAD. U/N  
ALL A325 BOLTS w/ONE  
HARD WASH. AND HVY HEX NUT  
ALL A307 BOLTS  
w/HEX NUT

NO.	DATE	REVISION DESCRIPTION	DNW	CRD	
CONTRACTOR TO CHECK ALL DIMENSIONS AT JOB AS MID STATES STEEL PRODUCTS CO. ASSUMES NO RESPONSIBILITY FOR GENERAL BUILDING DIMENSIONS. NO BACK CHARGES PERTAINING TO THIS WORK WILL BE ACCEPTED WITHOUT PRIOR AUTHORIZATION BY MID STATES STEEL PRODUCTS CO.					
MATERIAL U/N	A36	DRAWN BY	KMP	JOB NAME	COMMONWEALTH STADIUM EXPANSION
OPEN HOLES U/N	1-1/16φ	DATE	12/98	JOB LOCATION	UNIVERSITY OF KENTUCKY
WELD ELECTRODE U/N	E70XX	CHECKED BY	GCL	CONTRACTOR	TURNER CONSTRUCTION COMPANY
SHOP PAINT	SEE SPECS	DATE	12/98	ENGINEER	WALTER P. MOORE
DRAWING TITLE	BEAMS				

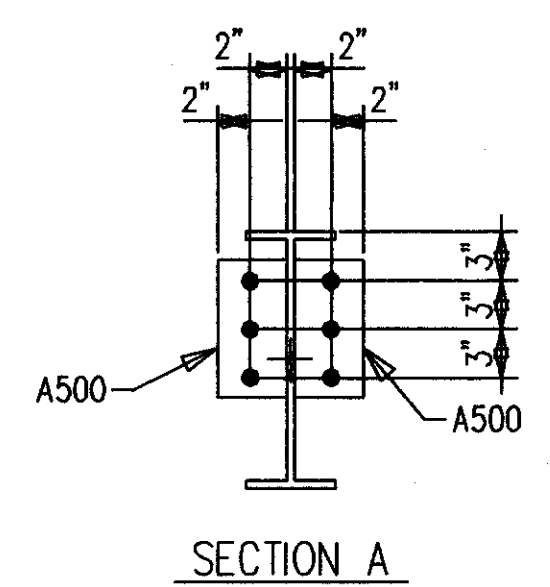
**MID STATES STEEL PRODUCTS CO.**  
 FABRICATORS OF STRUCTURAL AND MISCELLANEOUS STEEL

P.O. BOX 11128-2044 BUCK LANE  
 LEXINGTON, KENTUCKY 40511  
 PHONE: 606-233-4344 FAX: 606-233-4346

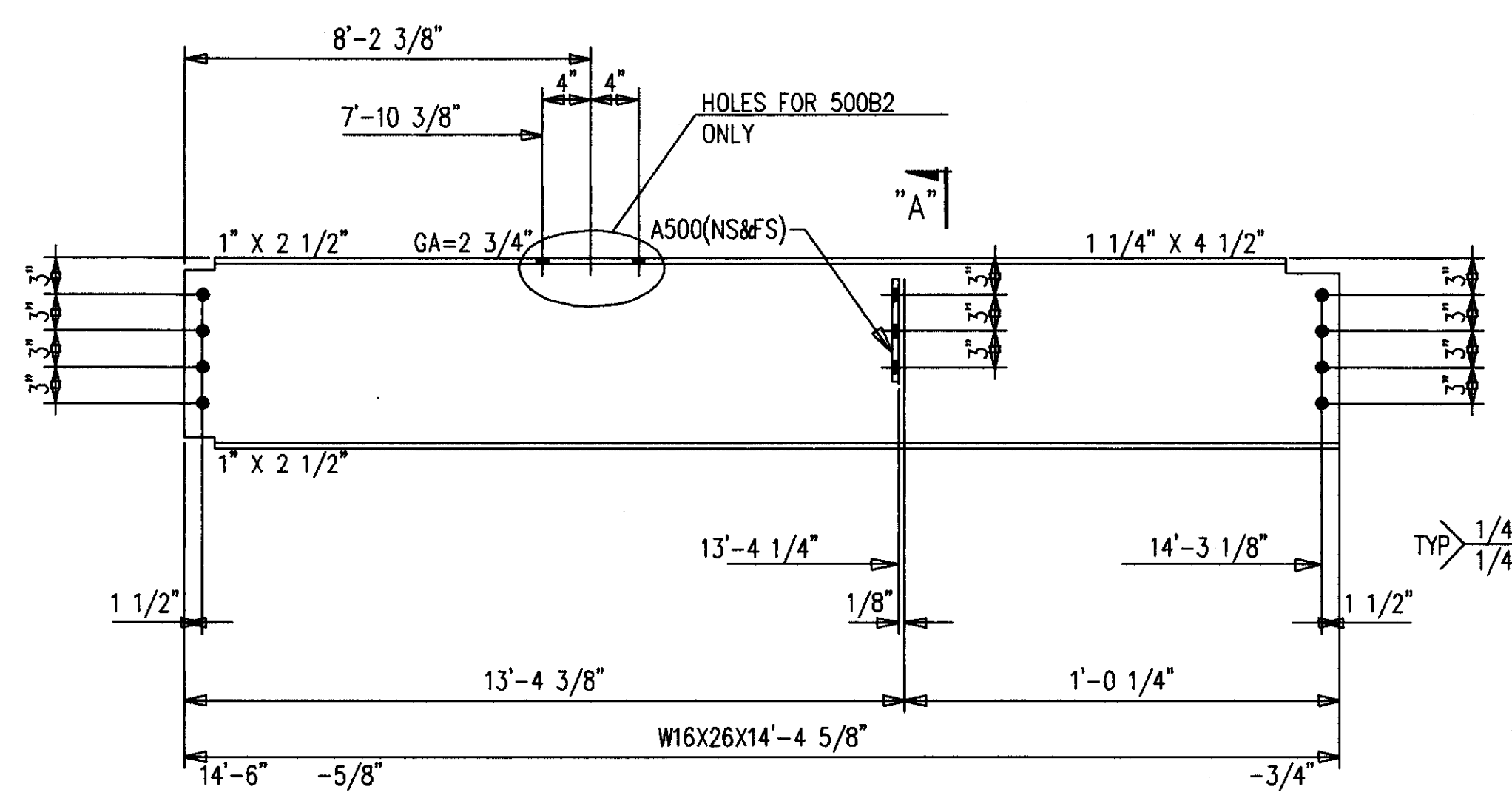
ORDER NO.	P3524
SHEET NO.	500



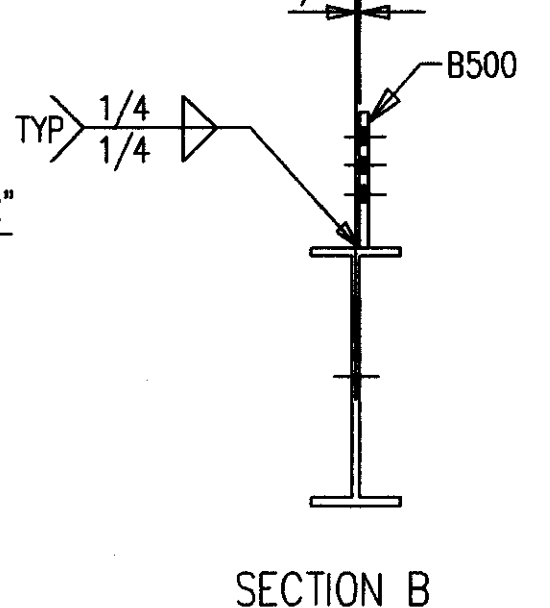
**2-BEAMS 500B1 R [AS SHOWN]**  
**2-BEAMS 500B1 L [OPP HAND]**  
 32-A490 1 X 2 1/4 F1636H  
 32-LOAD IND WASH F16LIW



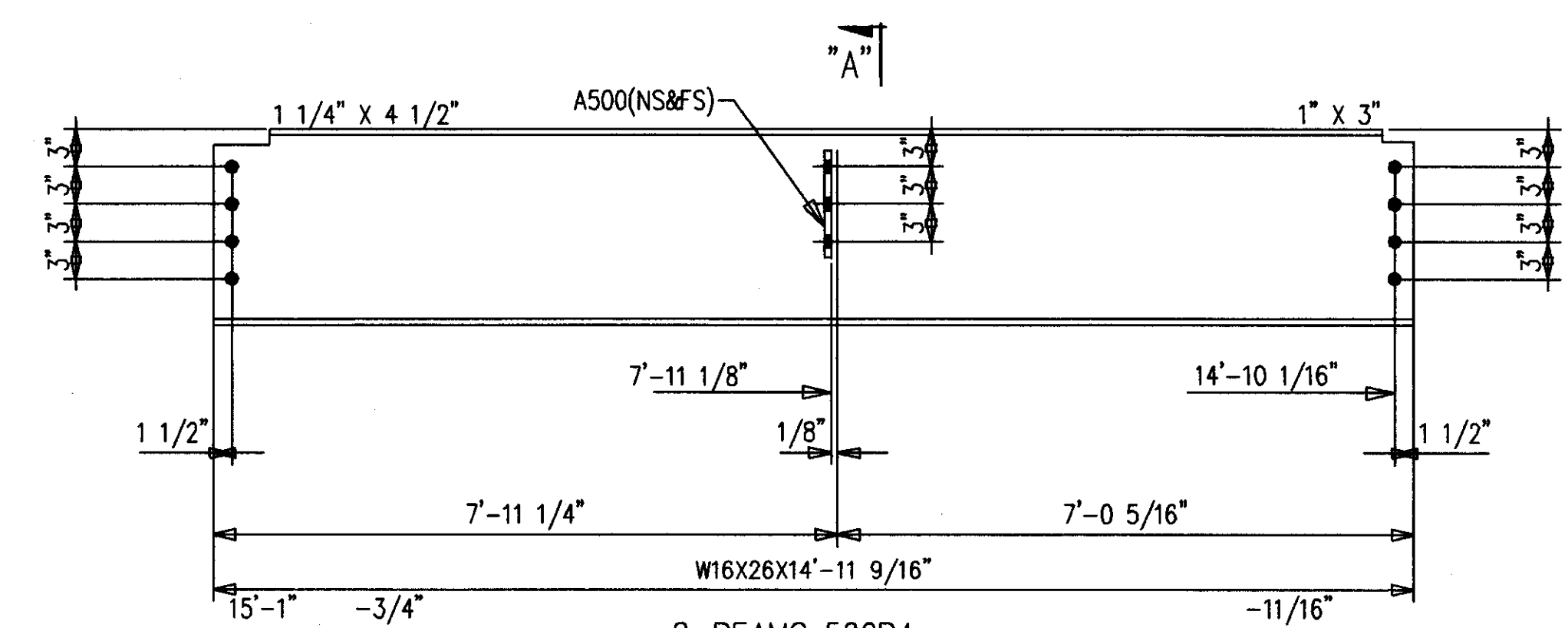
SECTION A



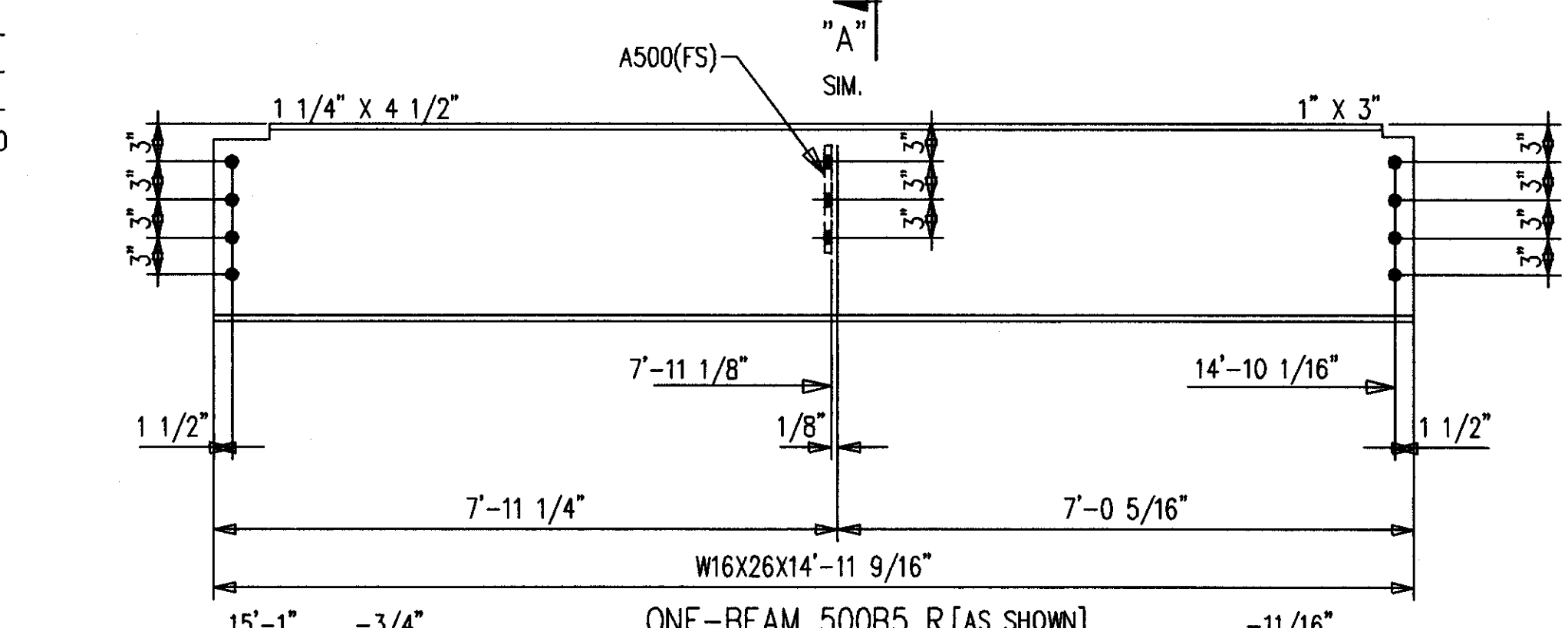
**4-BEAMS 500B2**  
**2-BEAMS 500B7**  
 48-A490 1 X 2 1/4 F1636H  
 48-LOAD IND WASH F16LIW



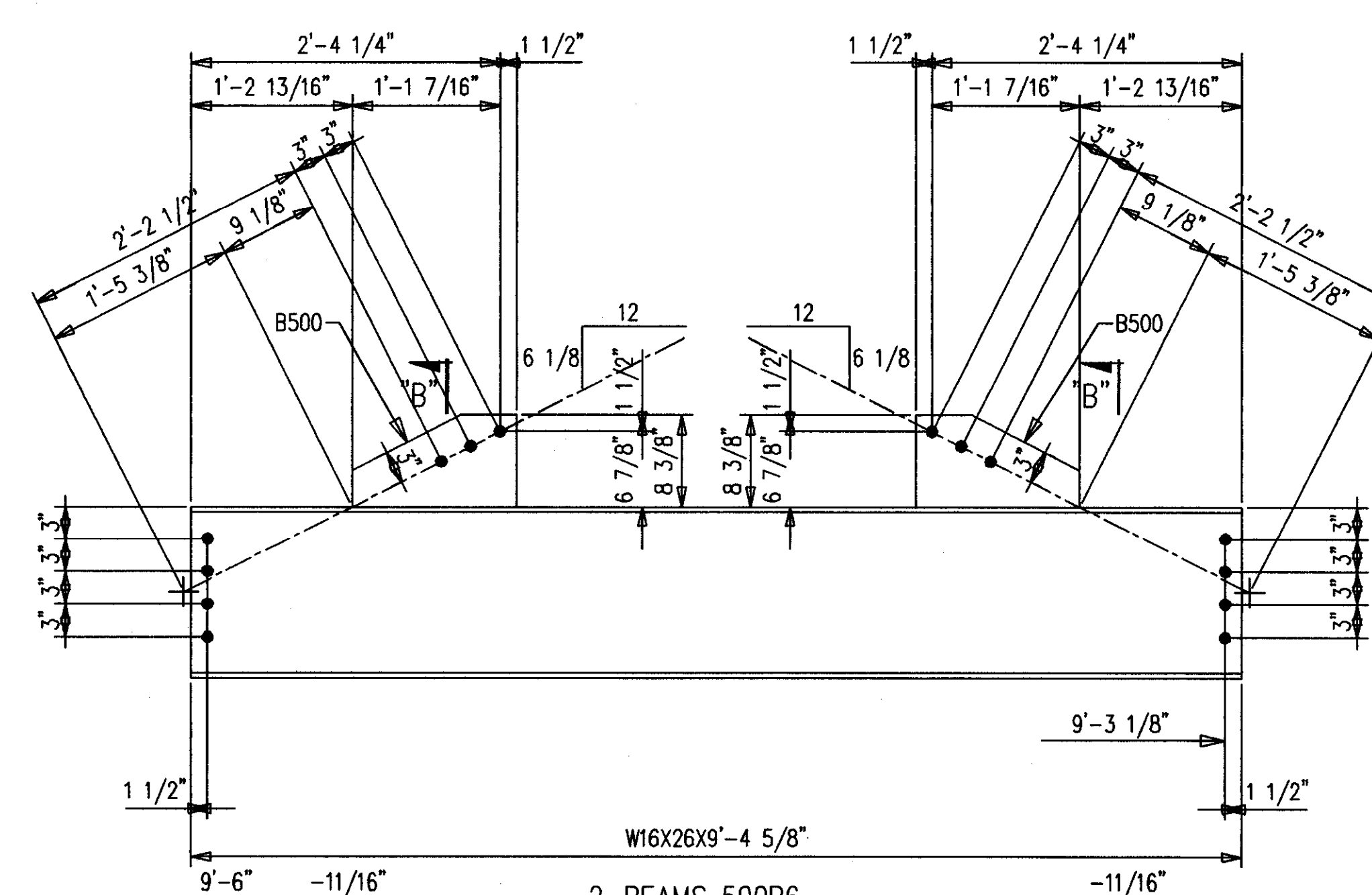
SECTION B



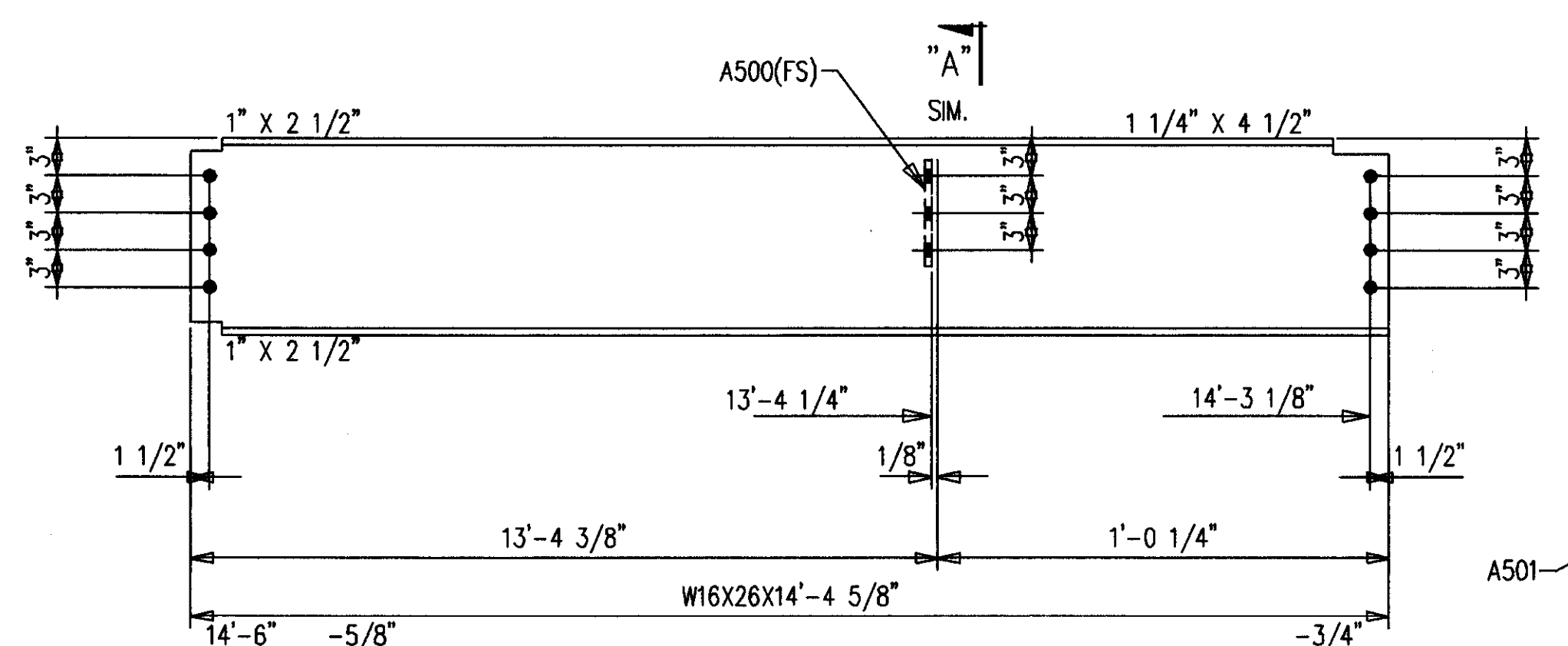
**8-BEAMS 500B4**  
 64-A490 1 X 2 1/4 F1636H  
 64-LOAD IND WASH F16LIW



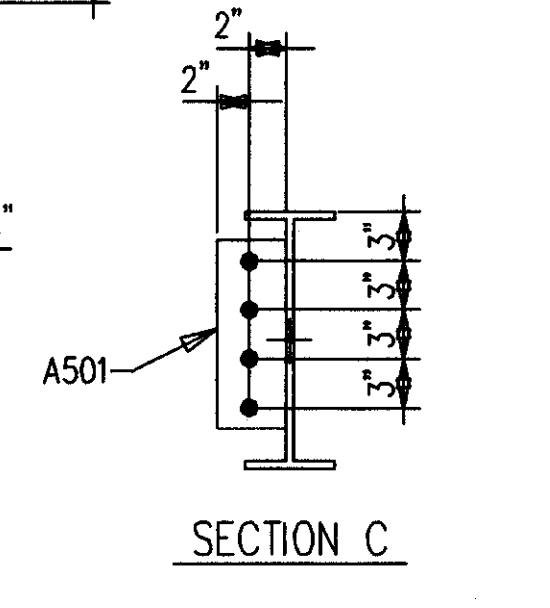
**ONE-BEAM 500B5 R [AS SHOWN]**  
**ONE-BEAM 500B5 L [OPP HAND]**  
 16-A490 1 X 2 1/4 F1636H  
 16-LOAD IND WASH F16LIW



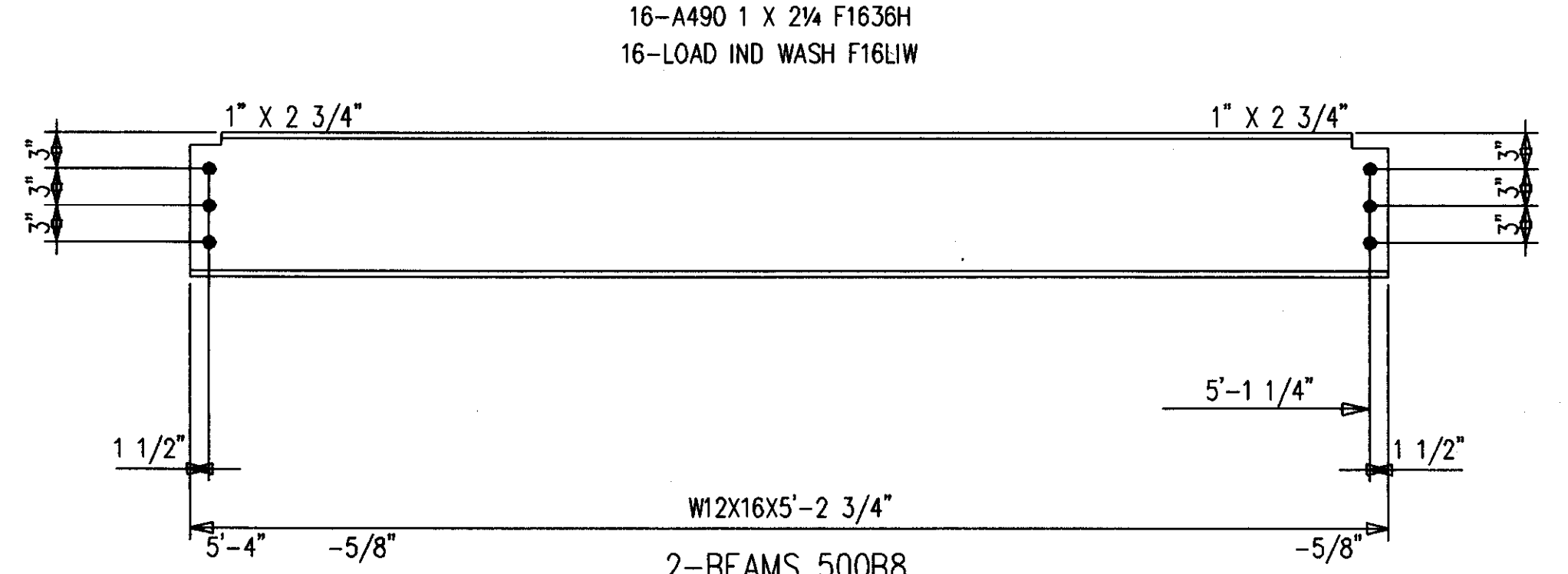
**2-BEAMS 500B6**  
 16-A490 1 X 2 1/4 F1636H  
 16-LOAD IND WASH F16LIW



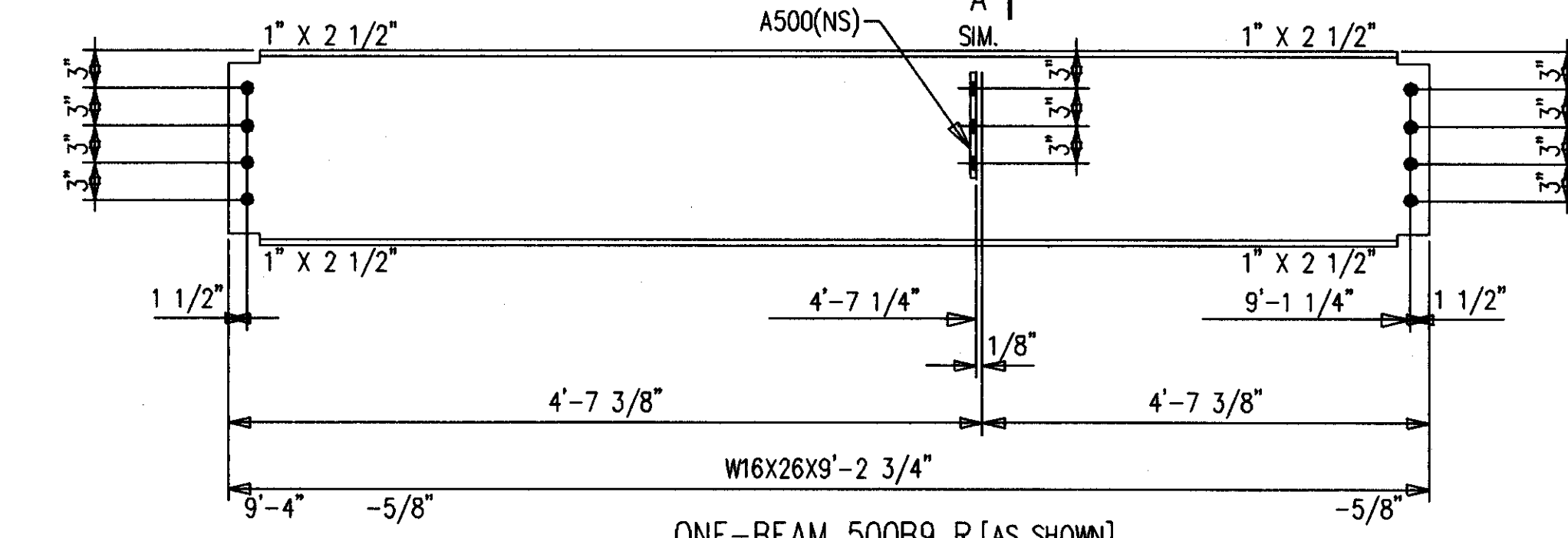
**ONE-BEAM 500B3 R [AS SHOWN]**  
**ONE-BEAM 500B3 L [OPP HAND]**  
 16-A490 1 X 2 1/4 F1636H  
 16-LOAD IND WASH F16LIW



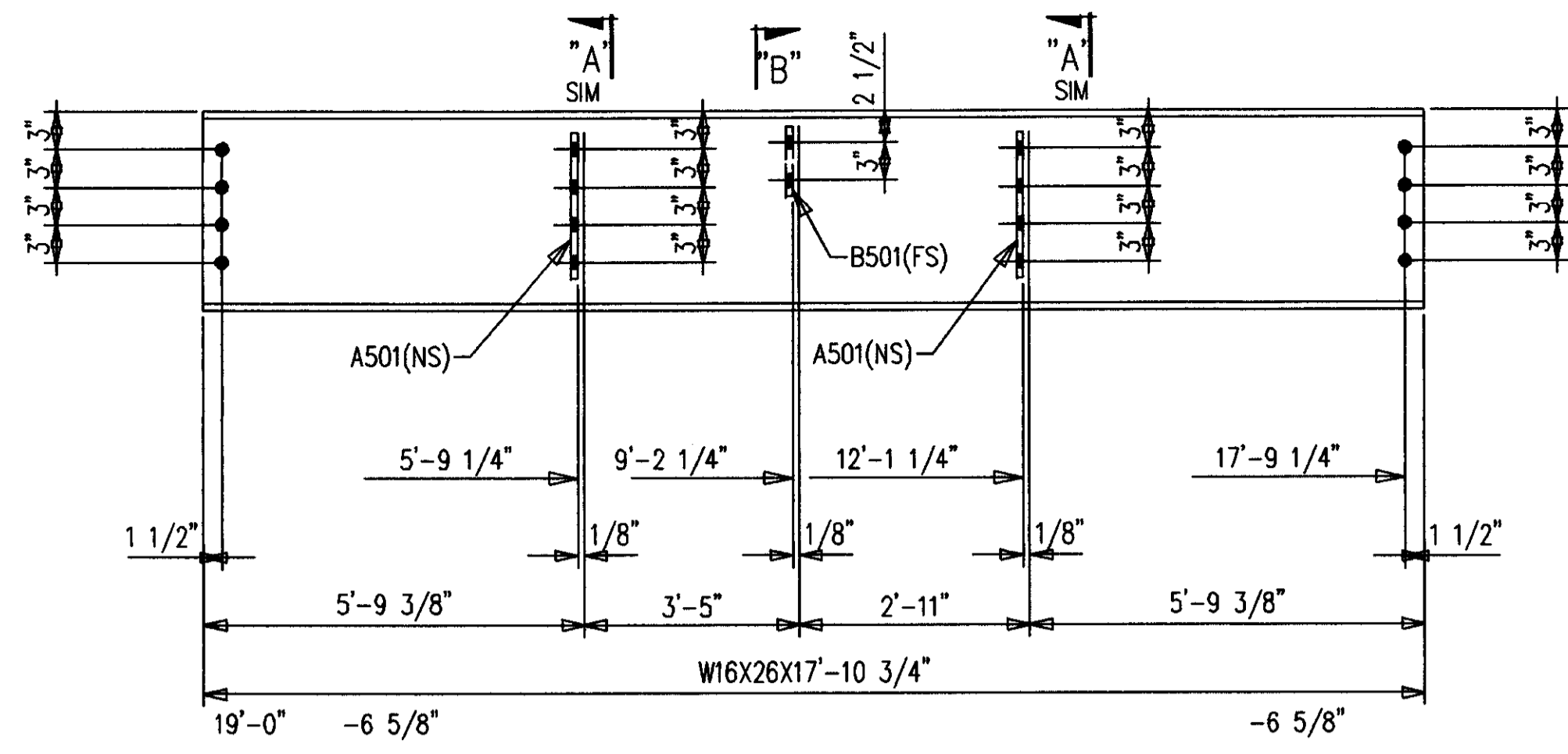
SECTION C



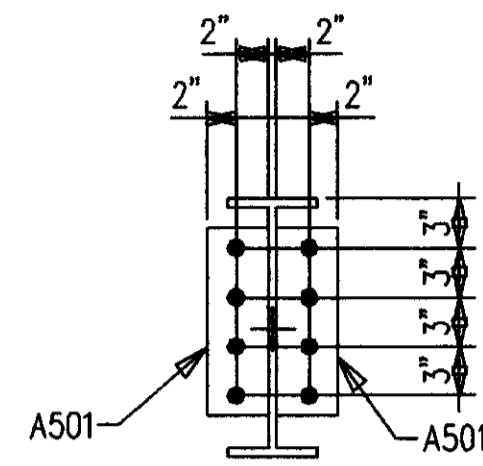
**2-BEAMS 500B8**  
 12-A490 1 X 2 1/4 F1636H  
 12-LOAD IND WASH F16LIW



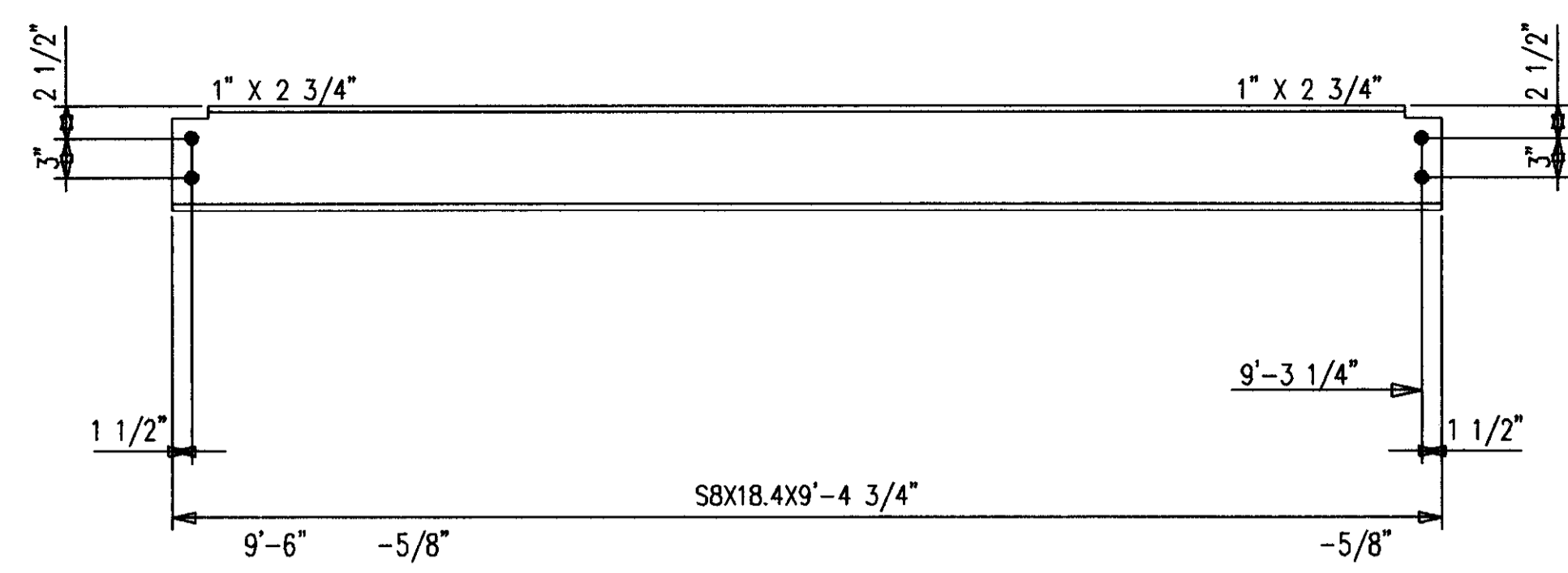
**ONE-BEAM 500B9 R [AS SHOWN]**  
**ONE-BEAM 500B9 L [OPP HAND]**  
 16-A490 1 X 2 1/4 F1636H  
 16-LOAD IND WASH F16LIW



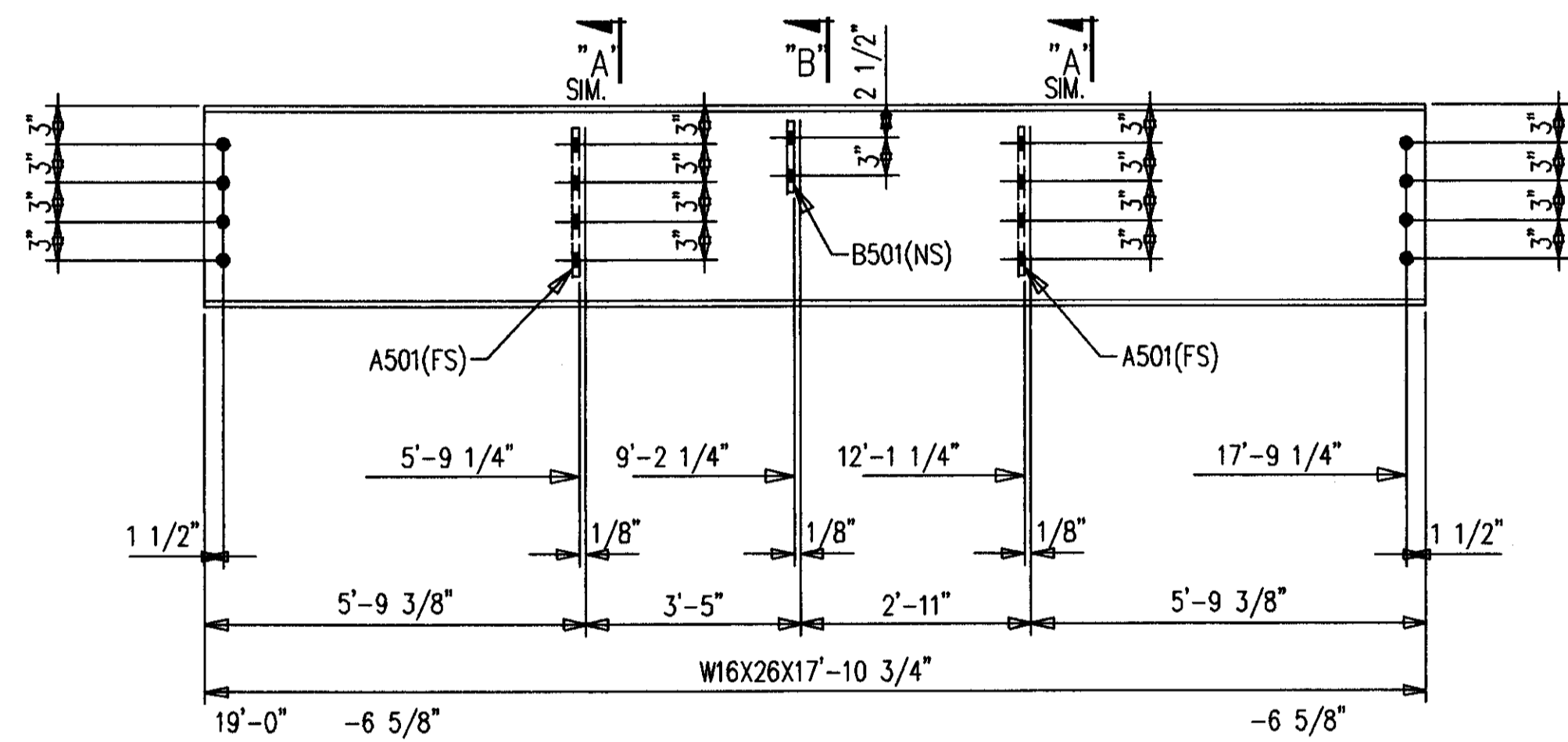
**ONE-BEAM 501B1**  
 8-A490 1 X 2 1/4 F1636H  
 8-LOAD IND WASH F16LIW



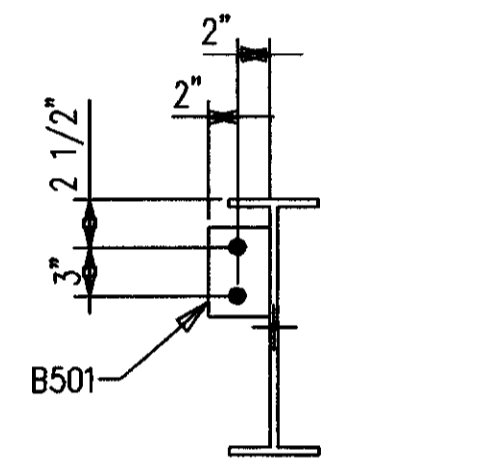
SECTION A



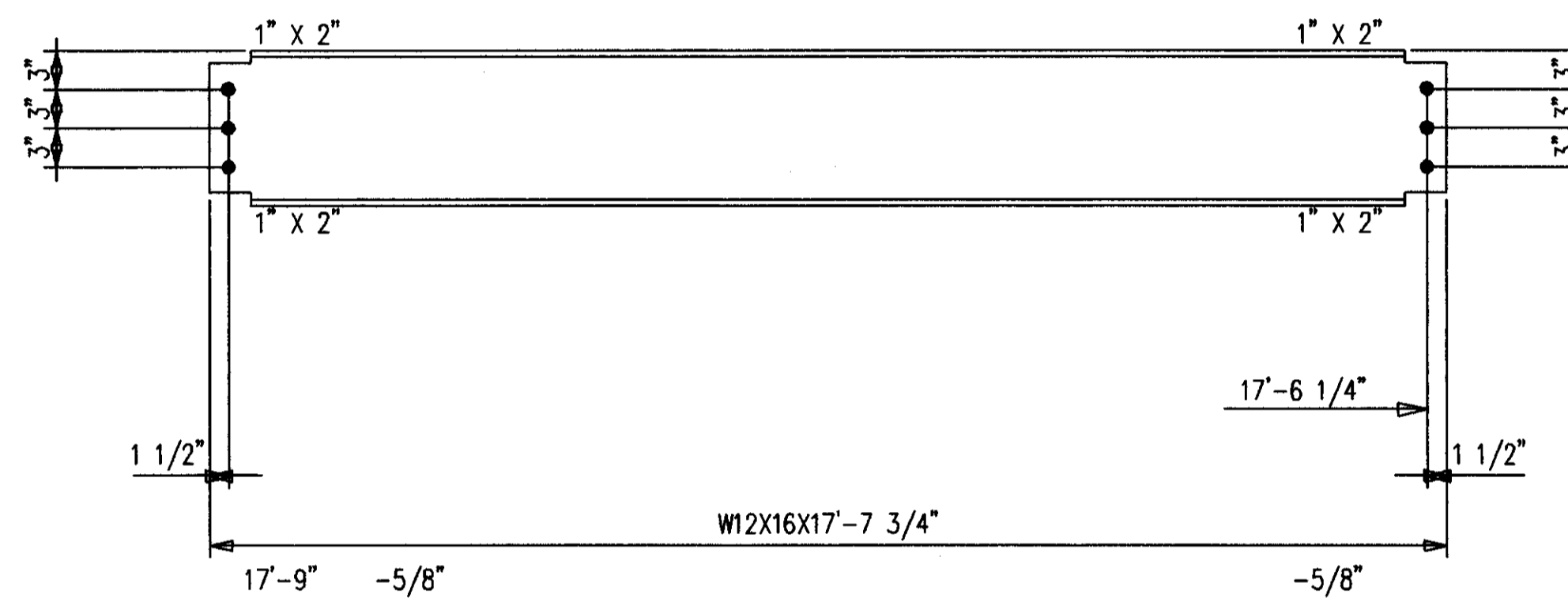
**2-BEAMS 501B4**  
 8-A490 1 X 2 1/4 F1636H  
 8-LOAD IND WASH F16LIW



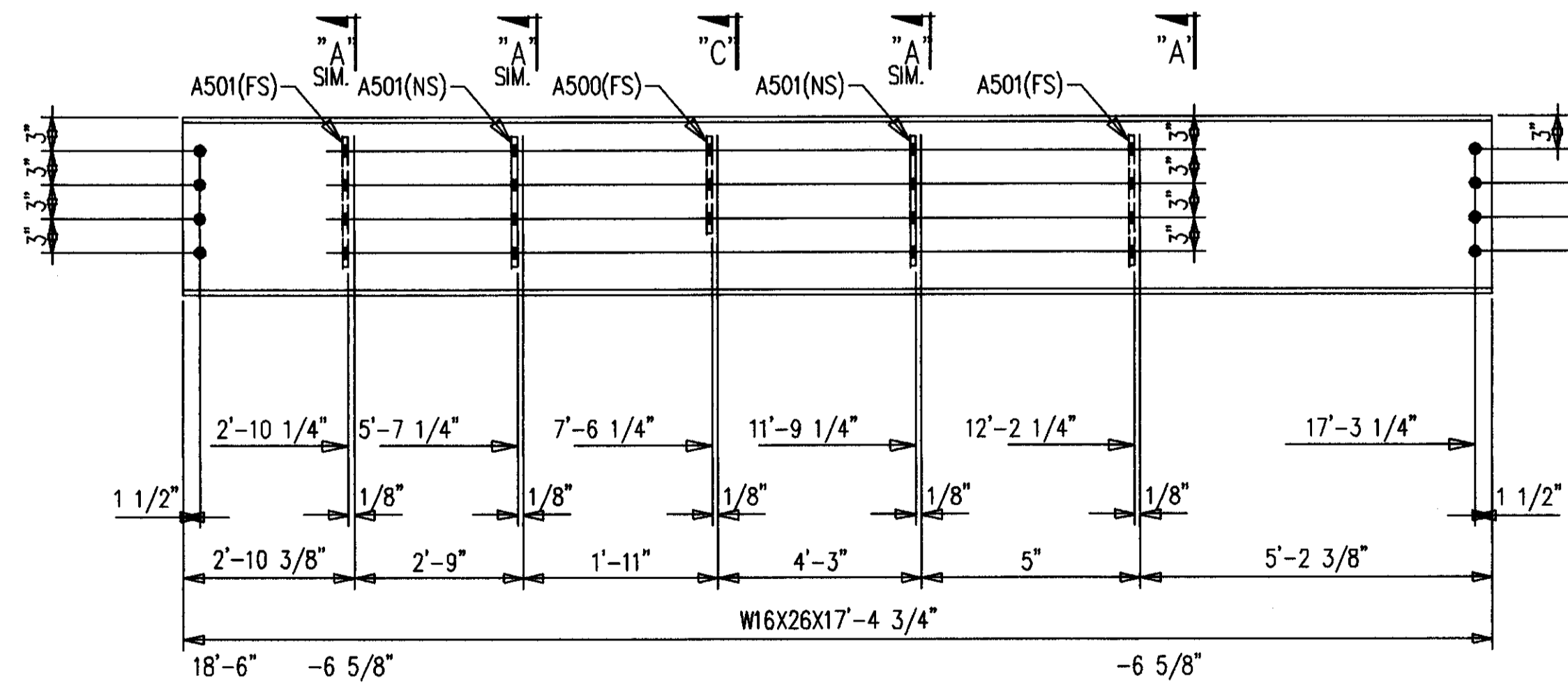
**ONE-BEAM 501B2**  
 8-A490 1 X 2 1/4 F1636H  
 8-LOAD IND WASH F16LIW



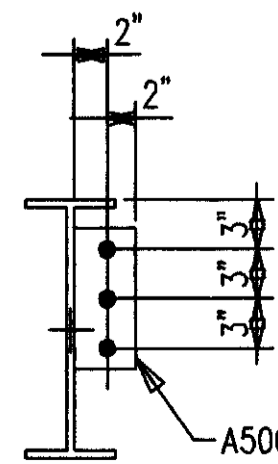
SECTION B



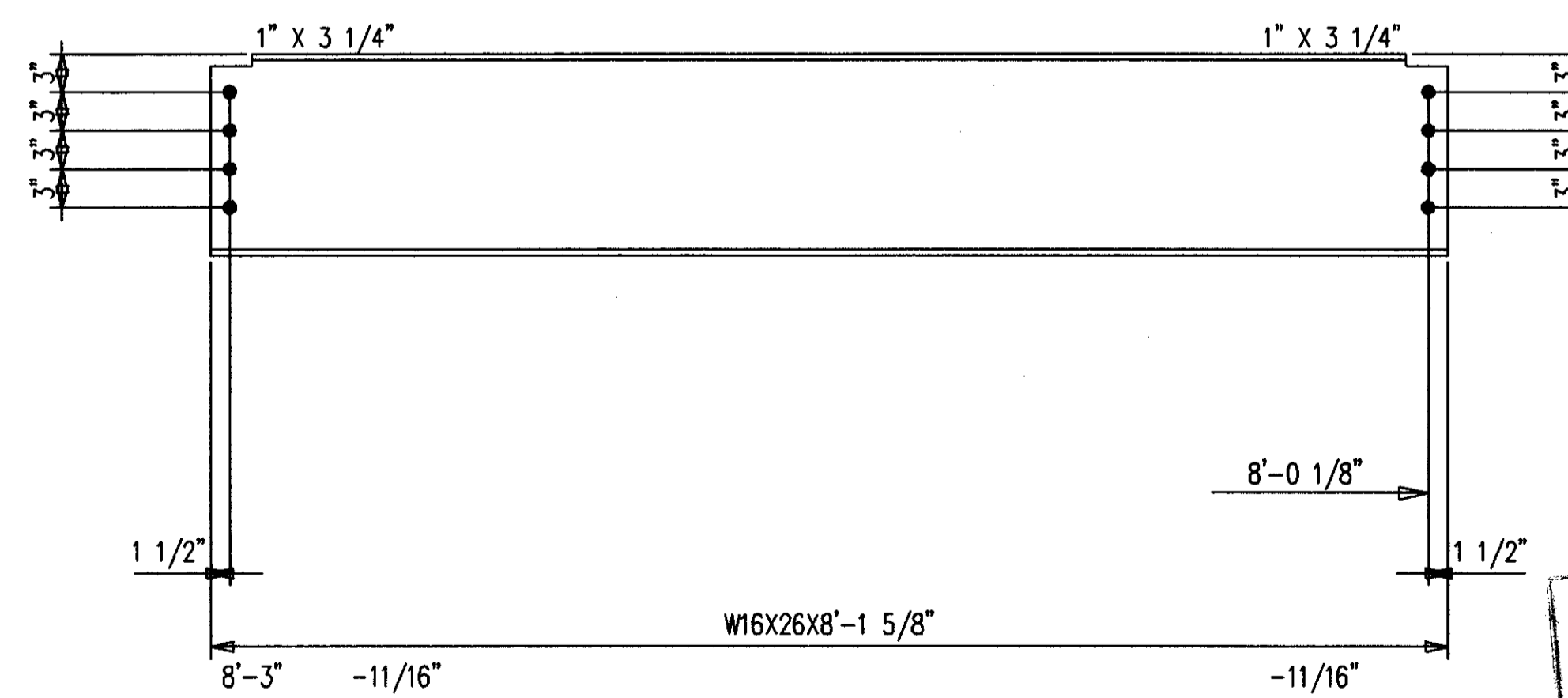
**6-BEAMS 501B5**  
 36-A490 1 X 2 1/4 F1636H  
 36-LOAD IND WASH F16LIW



**ONE-BEAM 501B3 R [AS SHOWN]**  
**ONE-BEAM 501B3 L [OPP HAND]**  
 16-A490 1 X 2 1/4 F1636H  
 16-LOAD IND WASH F16LIW



SECTION C



**6-BEAMS 501B6**  
 48-A490 1 X 2 1/4 F1636H  
 48-LOAD IND WASH F16LIW

**BILL OF MATERIAL**

SHIP MARK SUB MARK	NO. PCS.	DESCRIPTION	LENGTH		C U N I T	REMARKS
			FT.	IN.		
501B1	ONE	BEAM				
501B1	1	W16X26 A572	17	10-3/4	P	
A501	2	FB1/2X4	1	0	P	
B501	1	FB1/2X4	0	6	P	
501B2	ONE	BEAM				
501B2	1	W16X26 A572	17	10-3/4	P	
A501	2	FB1/2X4	1	0	P	
B501	1	FB1/2X4	0	6	P	
501B3 L	ONE	BEAM				
501B3	1	W16X26 A572	17	4-3/4	P	
A500	1	FB1/2X4	0	9	P	
A501	4	FB1/2X4	1	0	P	
501B3 R	ONE	BEAM				
501B3	1	W16X26 A572	17	4-3/4	P	
A500	1	FB1/2X4	0	9	P	
A501	4	FB1/2X4	1	0	P	
501B4	2	BEAMS				
501B4	2	S8X18.4 A572	9	4-3/4	P	
501B5	6	BEAMS				
501B5	6	W12X16 A572	17	7-3/4	P	
501B6	6	BEAMS				
501B6	6	W16X26 A572	8	1-5/8	P	
		FIELD BOLTS				
F1636H	126	A490 1X2-1/4				
F16LIW	126	A LOAD IND I				

SHOP NOTES:  
 1. ALL STEEL PRIMER ONLY.

AS BUILT  
 WAGE: *Map Hughes*  
 DATE: AUG 16 1999

DATE	APP	SHOP	FIELD

NO.	DATE	REVISION DESCRIPTION	DWG.	CHKD.

CONTRACTOR TO CHECK ALL DIMENSIONS AT JOB AS MID STATES STEEL PRODUCTS CO. ASSUMES NO RESPONSIBILITY FOR GENERAL BUILDING DIMENSIONS. NO BACK CHARGES PERTAINING TO THIS WORK WILL BE ACCEPTED WITHOUT PRIOR AUTHORIZATION BY MID STATES STEEL PRODUCTS CO.

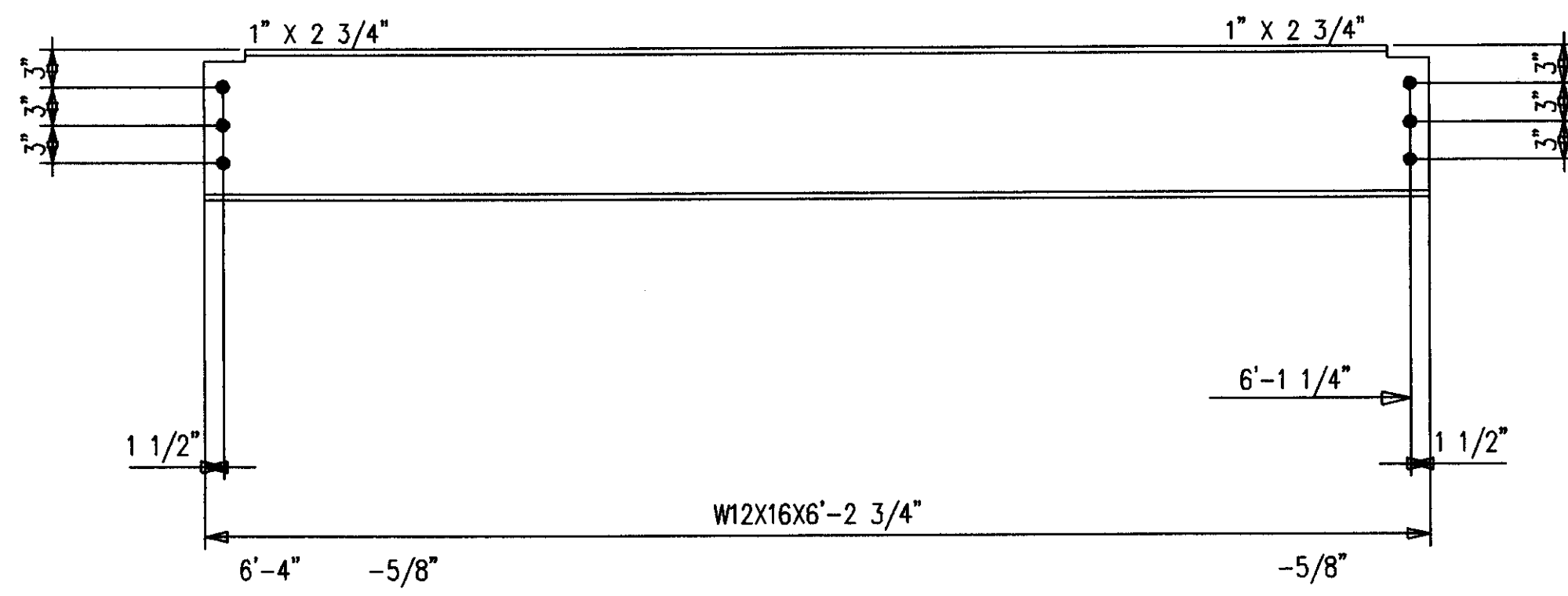
MATERIAL U/N	A36	DRAWN BY	KMP	JOB NAME	COMMONWEALTH STADIUM EXPANSION
OPEN HOLES U/N	1-1/16" Ø	DATE	10/98	JOB LOCATION	UNIVERSITY OF KENTUCKY
WELD ELECTRODE U/N	E70XX	CHECKED BY	GCL	CONTRACTOR	TURNER CONSTRUCTION COMPANY
SHOP PAINT	SEE SPECS	DATE	10/98	ENGINEER	WALTER P. MOORE

DRAWING TITLE: BEAMS

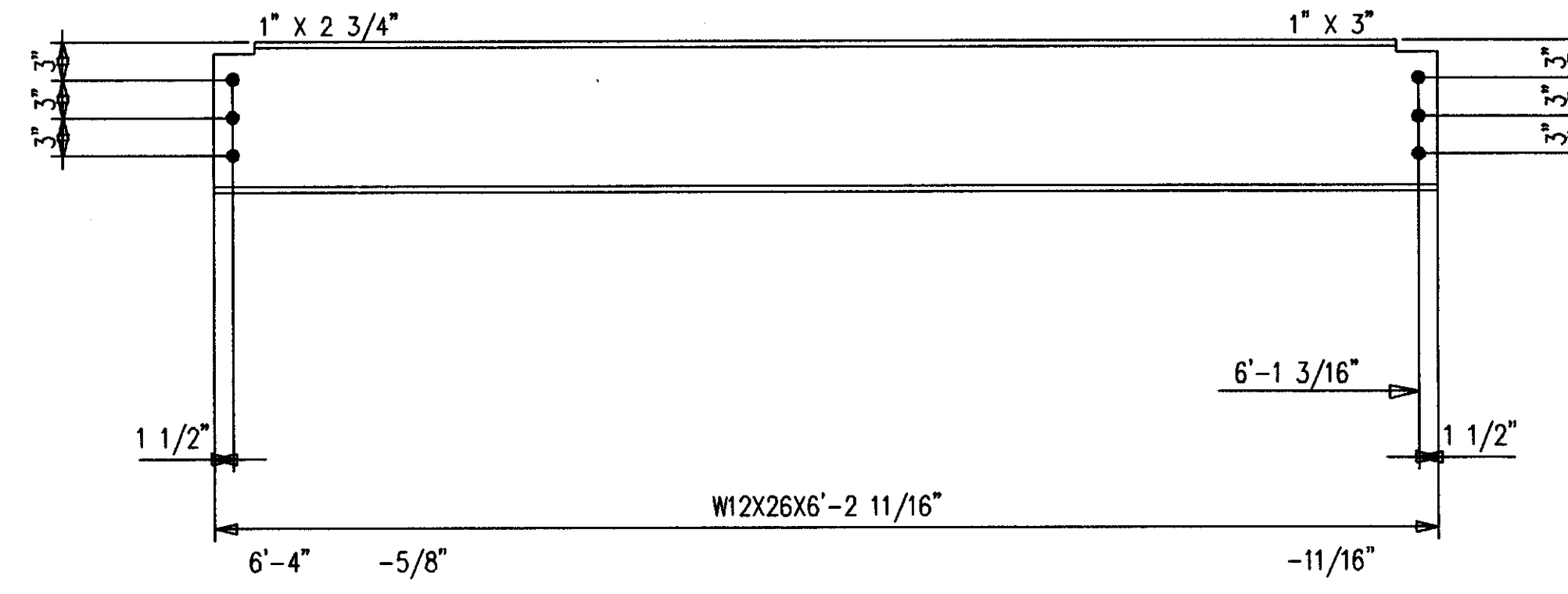
MID STATES STEEL PRODUCTS CO.  
 FABRICATORS OF STRUCTURAL AND MISCELLANEOUS STEEL

P.O. BOX 11128-2044 BUCK LANE  
 LEXINGTON, KENTUCKY 40511  
 PHONE: 606-233-4344 FAX: 606-233-4346

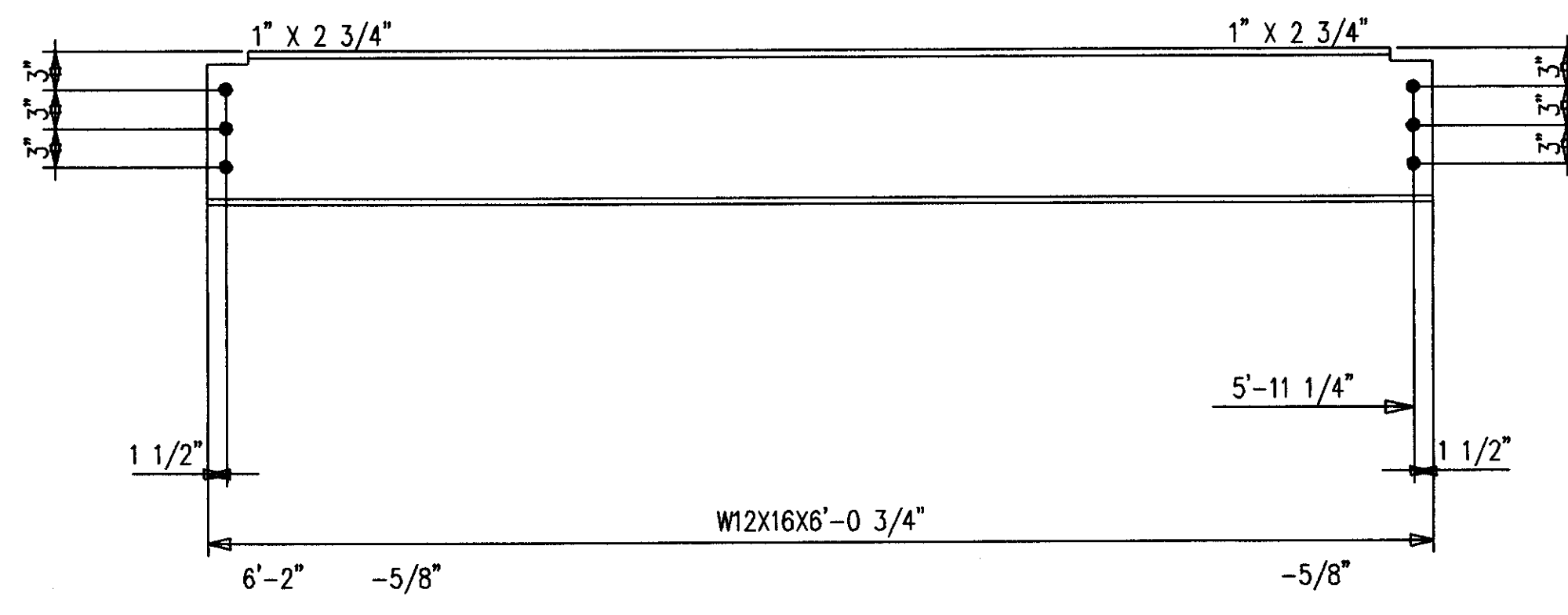
ORDER NO. P3524  
 SHEET NO. 501



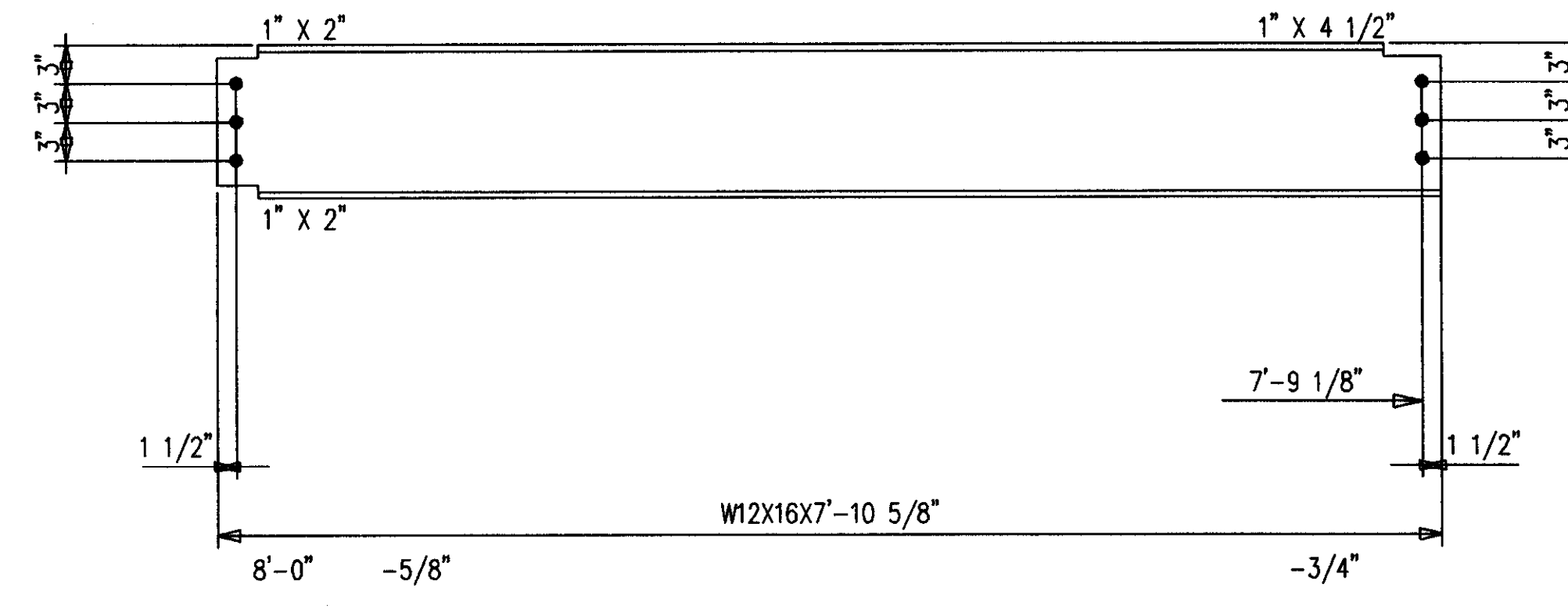
**8-BEAMS 502B1**  
 48-A490 1 X 2 1/4 F1636H  
 48-LOAD IND WASH F16LIW



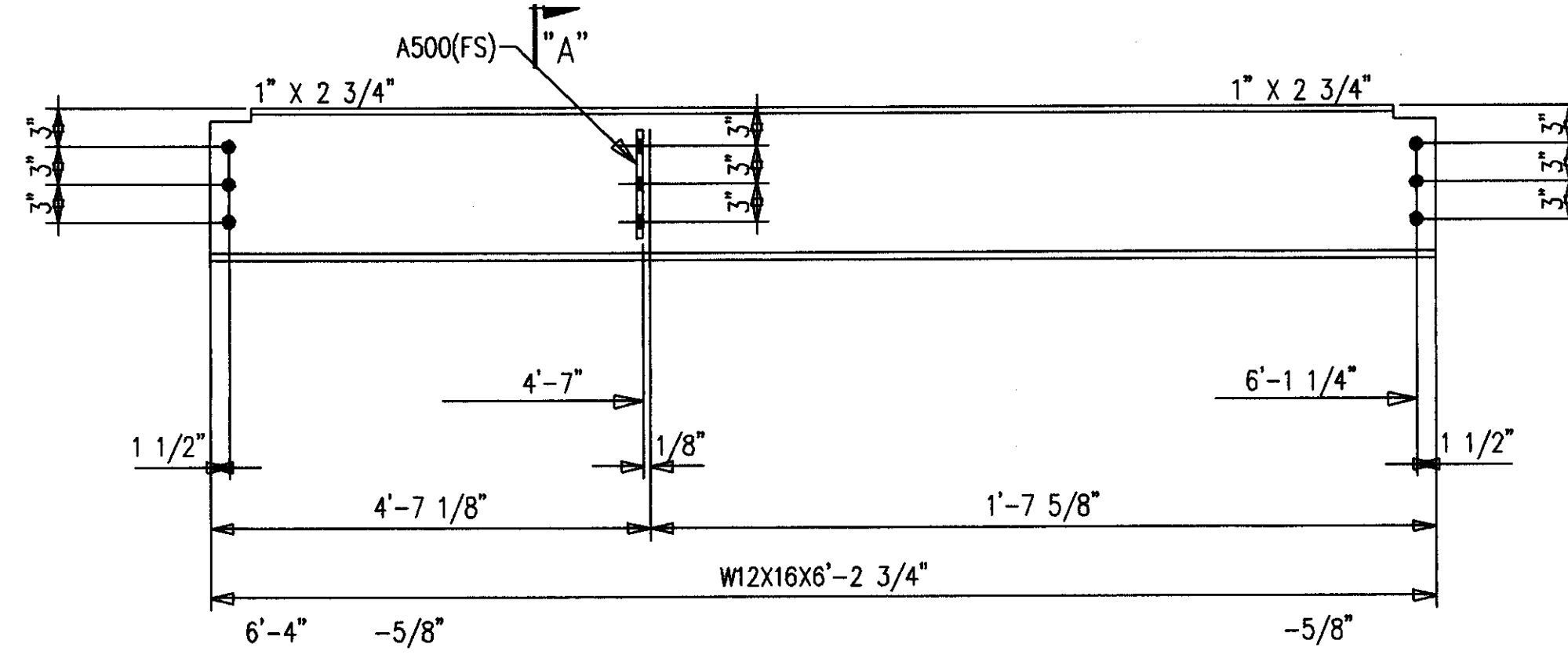
**2-BEAMS 502B4**  
 12-A490 1 X 2 1/4 F1636H  
 12-LOAD IND WASH F16LIW



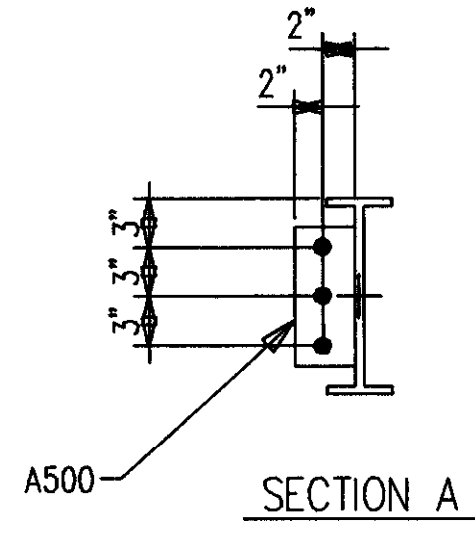
**8-BEAMS 502B2**  
 48-A490 1 X 2 1/4 F1636H  
 48-LOAD IND WASH F16LIW



**2-BEAMS 502B5**  
 12-A490 1 X 2 1/4 F1636H  
 12-LOAD IND WASH F16LIW



**ONE-BEAM 502B3 R [AS SHOWN]**  
**ONE-BEAM 502B3 L [OPP HAND]**  
 12-A490 1 X 2 1/4 F1636H  
 12-LOAD IND WASH F16LIW



SHOP NOTES:  
 1. ALL STEEL PRIMER ONLY.

**BILL OF MATERIAL**

SHIP MARK SUB MARK	NO. PCS.	DESCRIPTION	LENGTH		CL U S T	REMARKS
			FT.	IN.		
502B1	8	BEAMS				
502B1	8	W12X16 A572	6	2-3/4		P
502B2	8	BEAMS				
502B2	8	W12X16 A572	6	0-3/4		P
502B3 L	ONE	BEAM				
502B3	1	W12X16 A572	6	2-3/4		P
A500	1	FBI72X4	0	9		P
502B3 R	ONE	BEAM				
502B3	1	W12X16 A572	6	2-3/4		P
A500	1	FBI72X4	0	9		P
502B4	2	BEAMS				
502B4	2	W12X16 A572	6	2-11/16		P
502B5	2	BEAMS				
* 502B5	2	W12X16 A572	7	10-5/8		P
		FIELD BOLTS				
F1636H	134	A490 1X2-1/4				
F16LIW	134	A LOAD IND 1				

**AS BUILT**  
 NAME: *Map Hughes*  
 DATE: **AUG 16 1999**

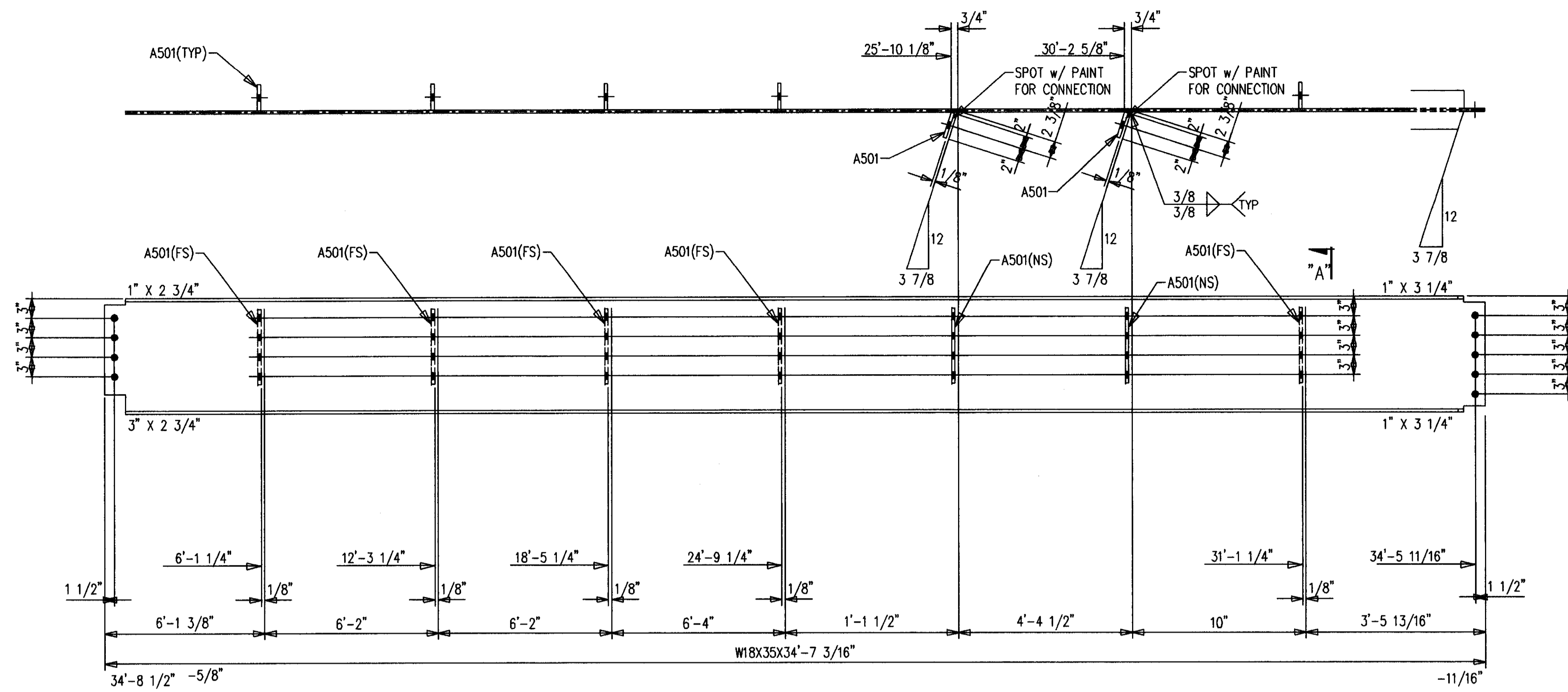
ALL RE-ENTRANT CUTS MIN. 1/2" RAD. U/N	WELD ELECTRODE E70XX	CHECKED BY GCL	DATE 10/98	CONTRACTOR TURNER CONSTRUCTION COMPANY
ALL A325 BOLTS w/ONE HARD WASH. AND HVY HEX NUT	SHOP PAINT SEE SPECS	ENGINEER WALTER P. MOORE		
ALL A307 BOLTS w/HEX NUT	DRAWING TITLE BEAMS			

CONTRACTOR TO CHECK ALL DIMENSIONS AT JOB AS MID STATES STEEL PRODUCTS CO. ASSUMES NO RESPONSIBILITY FOR GENERAL BUILDING DIMENSIONS. NO BACK CHARGES PERTAINING TO THIS WORK WILL BE ACCEPTED WITHOUT PRIOR AUTHORIZATION BY MID STATES STEEL PRODUCTS CO.

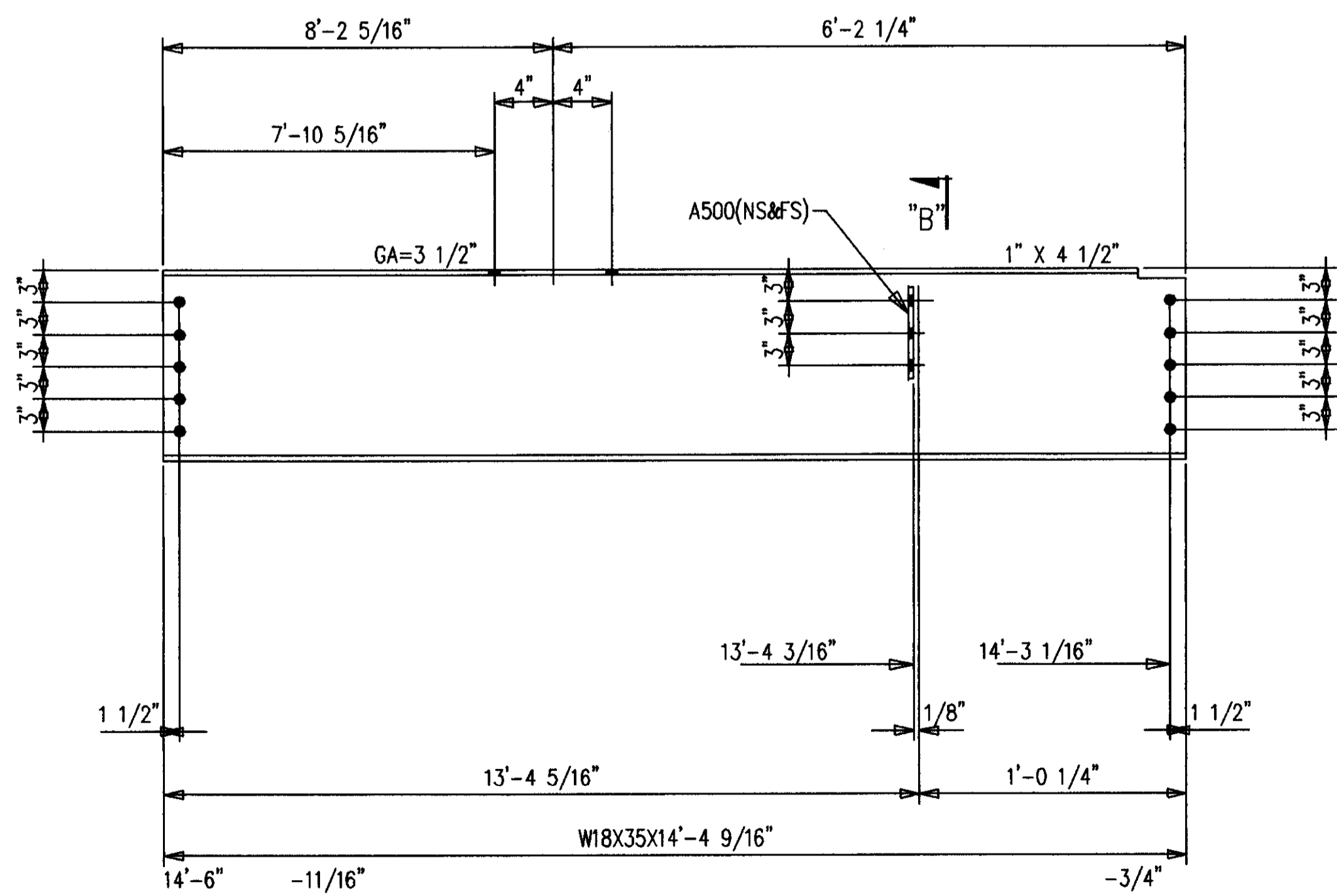
MATERIAL U/N A36  
 OPEN HOLES U/N 1-1/16" Ø  
 DRAWN BY **KMP**  
 DATE 10/98  
 JOB NAME COMMONWEALTH STADIUM EXPANSION  
 JOB LOCATION UNIVERSITY OF KENTUCKY

MID STATES STEEL PRODUCTS CO.  
 P.O. BOX 11128-2044 BUCK LANE  
 LEXINGTON, KENTUCKY 40511  
 PHONE: 606-233-4344 FAX: 606-233-4346  
 ORDER NO. P3524  
 SHEET NO. 502  
 FABRICATORS OF STRUCTURAL AND MISCELLANEOUS STEEL

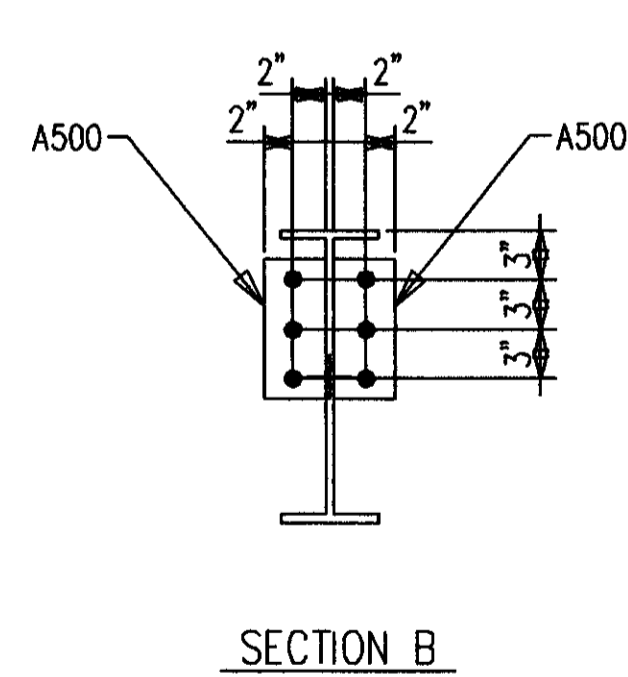
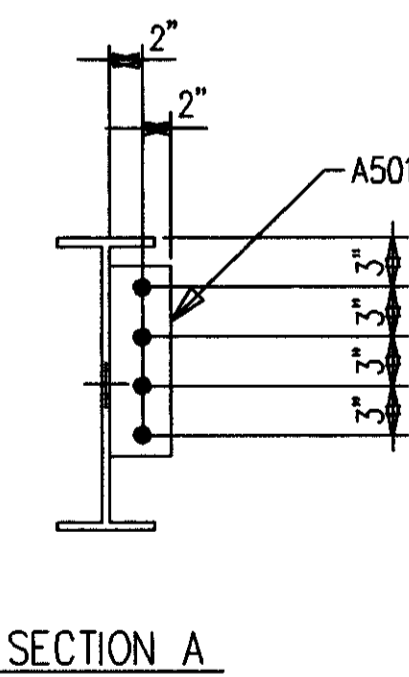
Doc # 34832  
 Cab # 206 B-2



ONE-BEAM 503B1 R [AS SHOWN]  
 ONE-BEAM 503B1 L [OPP HAND]  
 18-A490 1 X 2 1/2 F1640H  
 18-LOAD IND WASH 1 F16LIW



2-BEAMS 503B2  
 20-A490 1 X 2 1/2 F1640H  
 20-LOAD IND WASH 1 F16LIW



### BILL OF MATERIAL

SHIP MARK SUB MARK	NO. PCS.	DESCRIPTION	LENGTH		CL U S T	REMARKS
			FT.	IN.		
503B1 R	ONE	BEAM				
503B1	1	W18X35 A572	34	7-3/16		P
A501	7	FB1/2X4	1	0		P
503B1 L	ONE	BEAM				
503B1	1	W18X35 A572	34	7-3/16		P
A501	7	FB1/2X4	1	0		P
503B2	2	BEAMS				
503B2	2	W18X35 A572	14	4-9/16		P
A500	4	FB1/2X4	0	9		P
		FIELD BOLTS				
F1640H	39	A490 1X2-1/2				
F16LIW	39	A LOAD IND 1				

**AS BUILT**  
 NAME: *M. Hughes*  
 DATE: AUG 16 1999

NO.	DATE	REVISION DESCRIPTION	BY	CHKD

CONTRACTOR TO CHECK ALL DIMENSIONS AT JOB AS MID STATES STEEL PRODUCTS CO. ASSUMES NO RESPONSIBILITY FOR GENERAL BUILDING DIMENSIONS. NO BACK CHARGES PERTAINING TO THIS WORK WILL BE ACCEPTED WITHOUT PRIOR AUTHORIZATION BY MID STATES STEEL PRODUCTS CO.

MATERIAL U/N A36	DRAWN BY <b>KMP</b>	JOB NAME COMMONWEALTH STADIUM EXPANSION
OPEN HOLES U/N 1-1/16" Ø	DATE 10/98	JOB LOCATION UNIVERSITY OF KENTUCKY
WELD ELECTRODE U/N E70XX	CHECKED BY <b>GCL</b>	CONTRACTOR TURNER CONSTRUCTION COMPANY
ALL A325 BOLTS w/ONE HARD WASH. AND HVY HEX NUT	DATE 10/98	ENGINEER WALTER P. MOORE
ALL A307 BOLTS w/HEX NUT	DRAWING TITLE BEAMS	

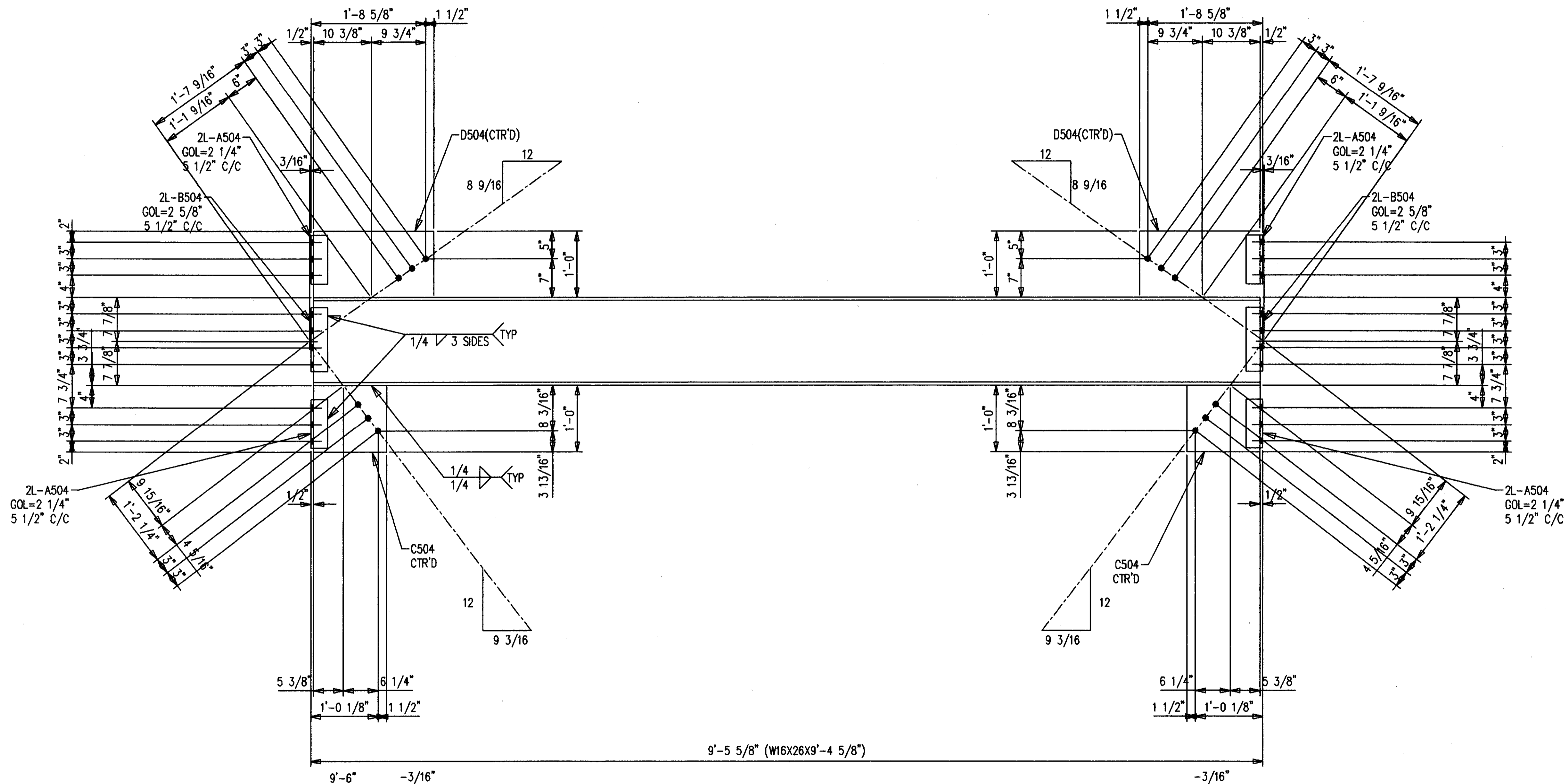
P.O. BOX 11128-2044 BUCK LANE  
 LEXINGTON, KENTUCKY 40511  
 PHONE: 606-233-4344 FAX: 606-233-4346

ORDER NO. P3524  
 SHEET NO. 503

FABRICATORS OF STRUCTURAL AND MISCELLANEOUS STEEL

BILL OF MATERIAL

SHIP MARK SUB MARK	NO. PCS.	DESCRIPTION	LENGTH		C U S T S	REMARKS
			FT.	IN.		
504B1	2	BEAMS				
504B1	2	W16X26 A572	9	4-5/8		
A504	16	L4X3X1/2	0	9		P
B504	8	L4X3X1/2	1	0		P
C504	4	PL1X12	1	1-1/8		P
D504	4	PL1X12	1	9-5/8		P
		FIELD BOLTS				
F1640H	81	A490 1X2-1/2				
F16LIW	81	A LOAD IND 1				



SHOP NOTES:  
1. ALL STEEL PRIMER ONLY.

2-BEAMS 504B1  
80-A490 1 X 2 1/2 F1640H  
80-LOAD IND WASH 1 F16LIW

AS BUILT  
NAME: *Map Hughes*  
DATE: AUG 16 1999

DATE	APP	SHOP	FIELD

NO.	DATE	REVISION DESCRIPTION	BY	CHKD

CONTRACTOR TO CHECK ALL DIMENSIONS AT JOB AS MID STATES STEEL PRODUCTS CO. ASSUMES NO RESPONSIBILITY FOR GENERAL BUILDING DIMENSIONS. NO BACK CHARGES PERTAINING TO THIS WORK WILL BE ACCEPTED WITHOUT PRIOR AUTHORIZATION BY MID STATES STEEL PRODUCTS CO.

MATERIAL U/A A36	DRAWN BY KMP	JOB NAME COMMONWEALTH STADIUM EXPANSION
OPEN HOLES U/A 1-1/16" Ø	DATE 10/98	JOB LOCATION UNIVERSITY OF KENTUCKY
WELD ELECTRODE U/A E70XX	CHECKED BY GCL	CONTRACTOR TURNER CONSTRUCTION COMPANY
SHOP PAINT SEE SPECS	DATE 10/98	ENGINEER WALTER P. MOORE

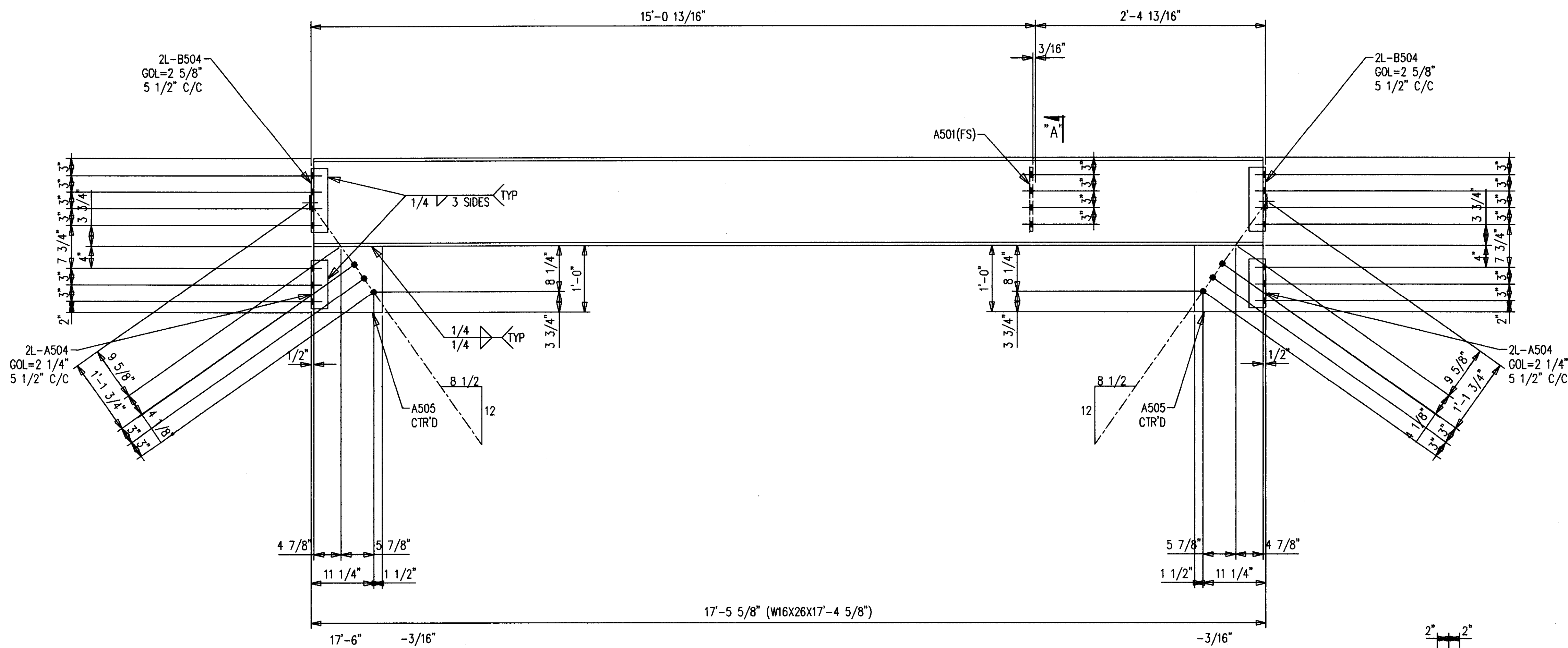
DRAWING TITLE: BEAMS

P.O. BOX 11128-2044 BUCK LANE  
LEXINGTON, KENTUCKY 40511  
PHONE: 606-233-4344 FAX: 606-233-4346

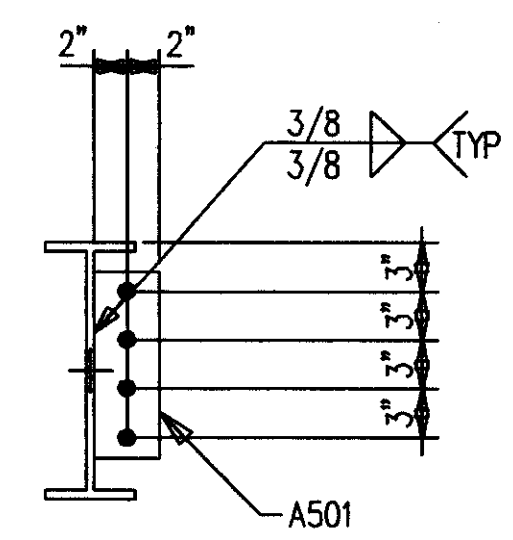
ORDER NO. P3524  
SHEET NO. 504

FABRICATORS OF STRUCTURAL AND MISCELLANEOUS STEEL

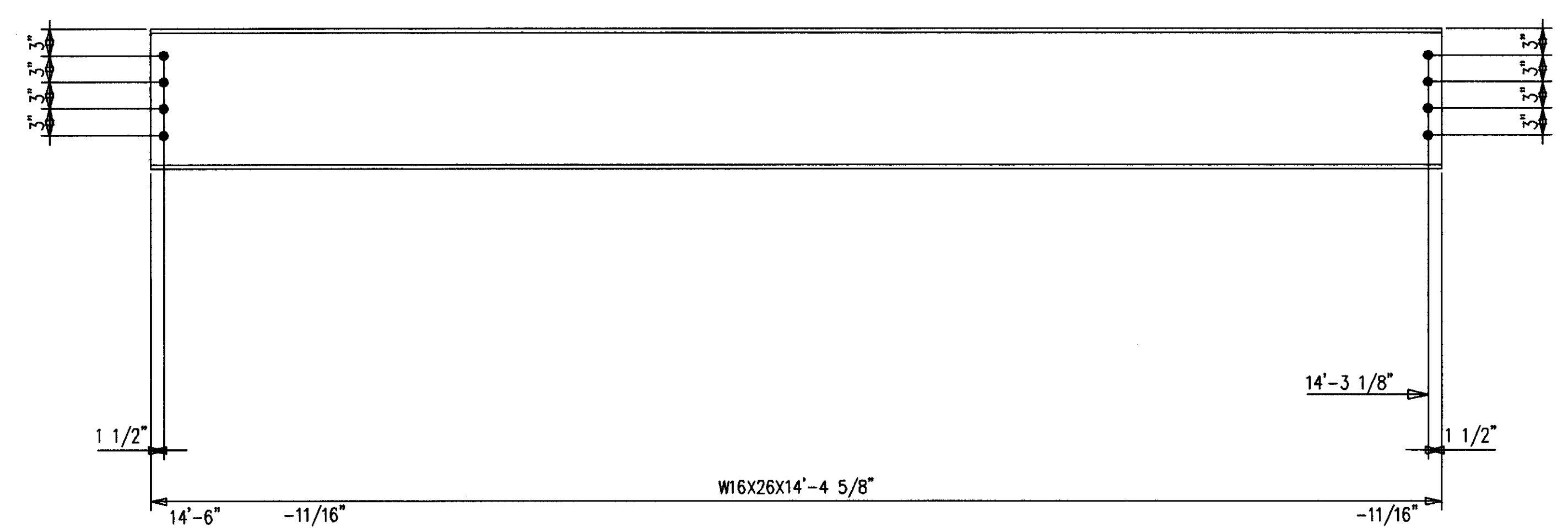




ONE-BEAM 505B1 R [AS SHOWN]  
 ONE-BEAM 505B1 L [OPP HAND]  
 56-A490 1 X 2 1/2 F1640H  
 56-LOAD IND WASH 1 F16LIW



SECTION A



2-BEAMS 505B2  
 16-A490 1 X 2 1/2 F1640H  
 16-LOAD IND WASH 1 F16LIW

BILL OF MATERIAL

SHIP MARK SUB MARK	QTY PCS.	DESCRIPTION	LENGTH		CL U S T Y	REMARKS
			FT.	IN.		
505B1 L	ONE	BEAM				
505B1	1	W16X26 A572	17	4-5/8		P
A501	1	FB1/2X4	1	0		P
A504	4	L4X3X1/2	0	9		P
A505	2	PL1X12	1	0-1/4		P
B504	4	L4X3X1/2	1	0		P
505B1 R	ONE	BEAM				
505B1	1	W16X26 A572	17	4-5/8		P
A501	1	FB1/2X4	1	0		P
A504	4	L4X3X1/2	0	9		P
A505	2	PL1X12	1	0-1/4		P
B504	4	L4X3X1/2	1	0		P
505B2	2	BEAMS				
505B2	2	W16X26 A572	14	4-5/8		P
		FIELD BOLTS				
F1640H	73	A490 1X2-1/2				
F16LIW	73	A LOAD IND 1				

SHOP NOTES:  
 1. ALL STEEL PRIMER ONLY.

AS BUILT  
 NAME: *Max Hughes*  
 DATE: AUG 16 1999

MATERIAL U/A A36		DATE 10/98	DRAWN BY KMP	DATE 10/98	JOB NAME COMMONWEALTH STADIUM EXPANSION
OPEN HOLES U/A 1-1/16" Ø		DATE 10/98	DATE 10/98	JOB LOCATION UNIVERSITY OF KENTUCKY	CONTRACTOR TURNER CONSTRUCTION COMPANY
WELD ELECTRODE U/A E70XX		DATE 10/98	CHECKED BY GCL	ENGINEER WALTER P. MOORE	
SHOP PAINT SEE SPECS		DATE 10/98			
DRAWING TITLE BEAMS					
DATE	APP	SHOP	FIELD		

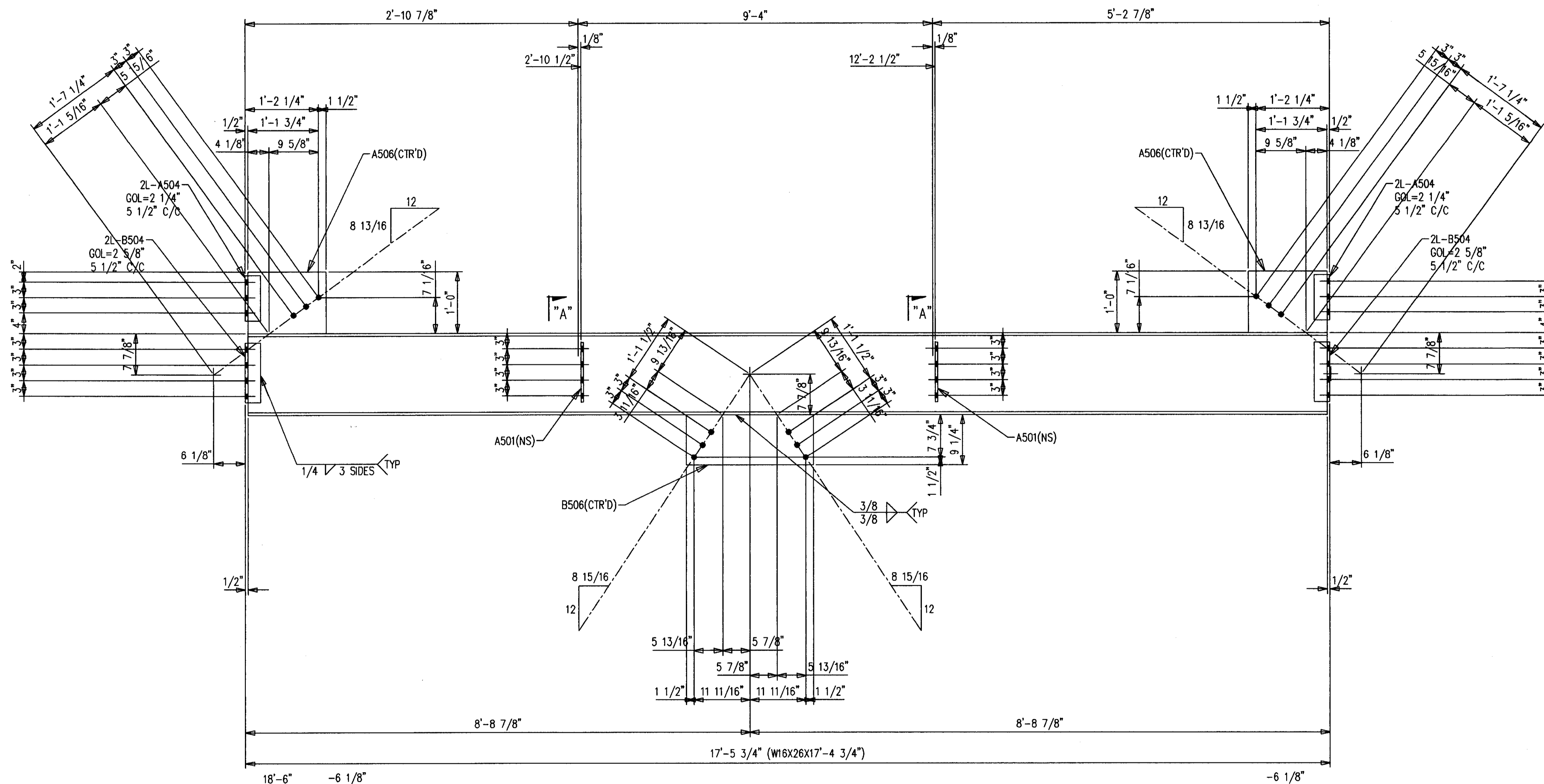
P.O. BOX 11128-2044 BUCK LANE  
 LEXINGTON, KENTUCKY 40511  
 PHONE: 606-233-4344 FAX: 606-233-4346

MID STATES STEEL PRODUCTS CO.  
 FABRICATORS OF STRUCTURAL AND MISCELLANEOUS STEEL

ORDER NO. P3524  
 SHEET NO. 505

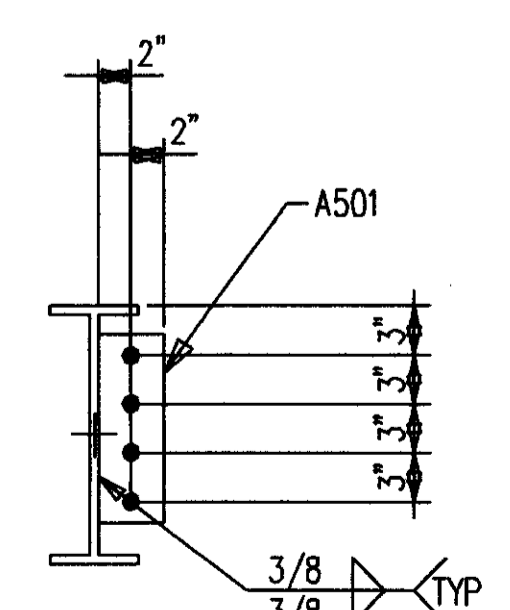
BILL OF MATERIAL

SHIP MARK SUB MARK	NO. PCS.	DESCRIPTION	LENGTH		CL SYS	REMARKS
			FT.	IN.		
506B1 L	ONE	BEAM				
506B1	1	W16X26 A572	17	4-3/4		
A501	2	FBI/2X4	1	0		P
A504	4	L4X3X1/2	0	9		P
A506	2	PL1X12	1	3-1/4		P
B504	4	L4X3X1/2	1	0		P
B506	1	PL1X9-1/4	2	2-3/8		P
506B1 R	ONE	BEAM				
506B1	1	W16X26 A572	17	4-3/4		
A501	2	FBI/2X4	1	0		P
A504	4	L4X3X1/2	0	9		P
A506	2	PL1X12	1	3-1/4		P
B504	4	L4X3X1/2	1	0		P
B506	1	PL1X9-1/4	2	2-3/8		P
		FIELD BOLTS				
F1644H	57	A490 1X2-3/4				
F16LIW	57	A LOAD IND 1				



SHOP NOTES:  
1. ALL STEEL PRIMER ONLY.

ONE-BEAM 506B1 R [AS SHOWN]  
ONE-BEAM 506B1 L [OPP HAND]  
56-A490 1 X 2 3/4 F1644H  
56-LOAD IND WASH 1 F16LIW



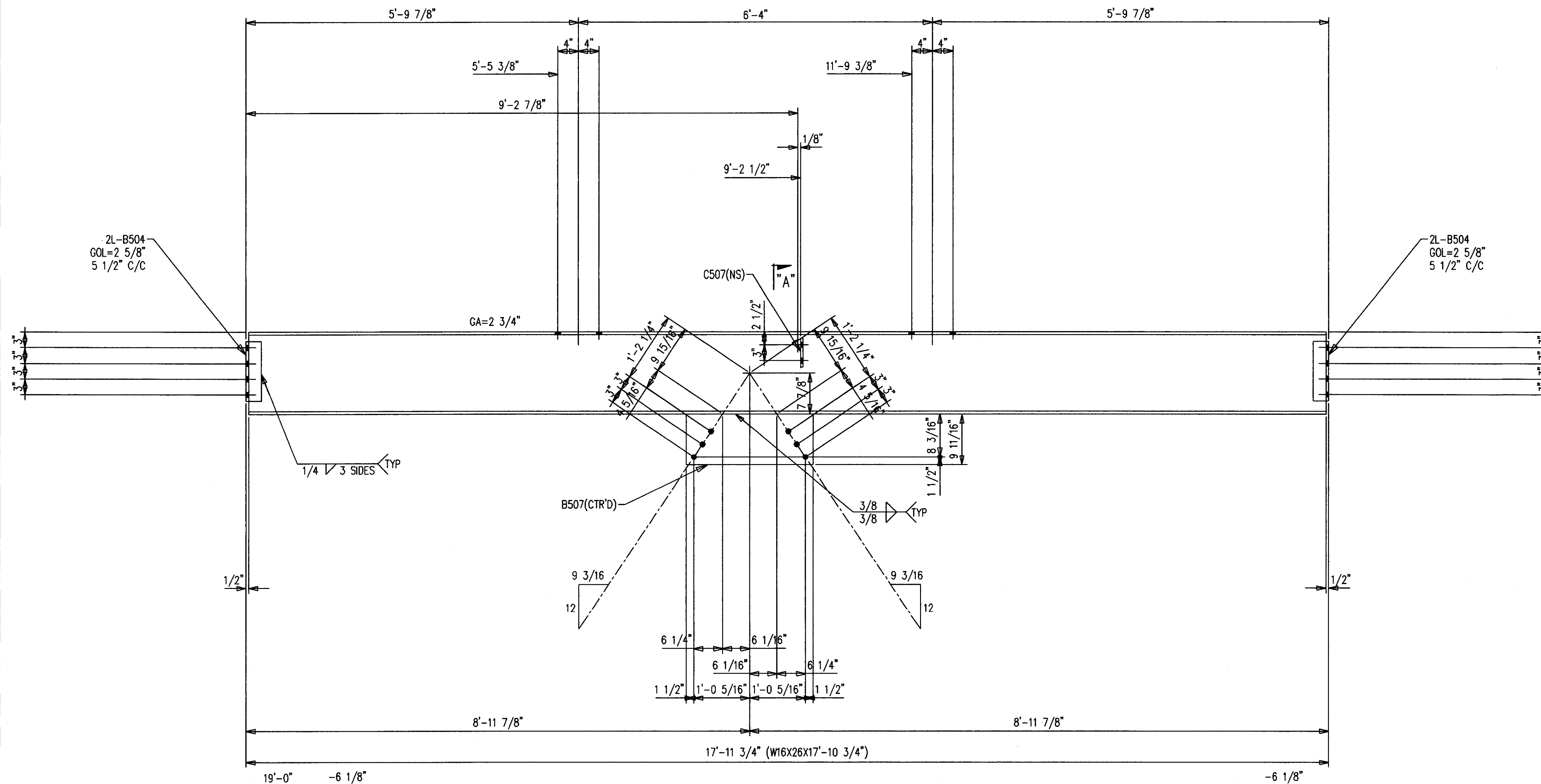
AS BUILT  
NAME: *Map Hughes*  
DATE: AUG 16 1999

DATE	APP	SHOP	FIELD

NO.	DATE	REVISION DESCRIPTION	DWN	CHKD
CONTRACTOR TO CHECK ALL DIMENSIONS AT JOB AS MID STATES STEEL PRODUCTS CO. ASSUMES NO RESPONSIBILITY FOR GENERAL BUILDING DIMENSIONS. NO BACK CHARGES PERTAINING TO THIS WORK WILL BE ACCEPTED WITHOUT PRIOR AUTHORIZATION BY MID STATES STEEL PRODUCTS CO.				
MATERIAL U/N	A36	DRAWN BY	KMP	JOB NAME
OPEN HOLES U/N	1-1/16"	DATE	10/98	COMMONWEALTH STADIUM EXPANSION
WELD ELECTRODE U/N	E70XX	CHECKED BY	GCL	JOB LOCATION
SHOP PAINT	SEE SPECS	DATE	10/98	UNIVERSITY OF KENTUCKY
DRAWING TITLE	BEAMS	CONTRACTOR	TURNER CONSTRUCTION COMPANY	ENGINEER
			WALTER P. MOORE	
P.O. BOX 11128-2044 BUCK LANE LEXINGTON, KENTUCKY 40511 PHONE: 606-233-4544 FAX: 606-253-4346				ORDER NO. P3524
FABRICATORS OF STRUCTURAL AND MISCELLANEOUS STEEL				SHEET NO. 506

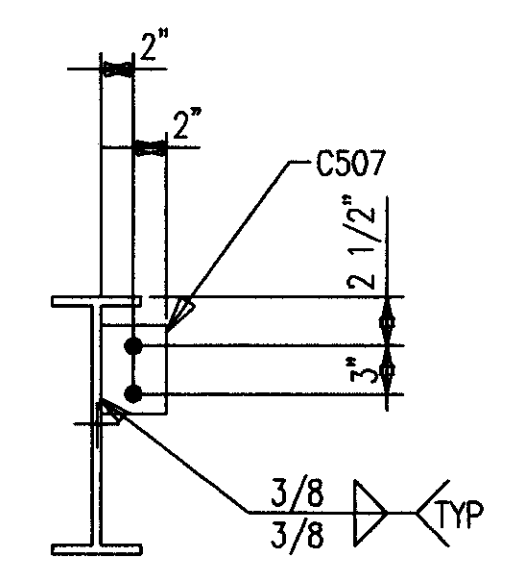
BILL OF MATERIAL

SHIP MARK SUB MARK	NO. PCS.	DESCRIPTION	LENGTH		CUT US Y	REMARKS
			FT.	IN.		
507B1 L	ONE	BEAM				
507B1	1	W16X26 A572	17	10-3/4		
B504	4	L4X3X1/2	1	0		P
B507	1	PL1X9-11/16	2	3-5/8		P
C507	1	FB1/2X4	0	6		P
507B1 R	ONE	BEAM				
507B1	1	W16X26 A572	17	10-3/4		
B504	4	L4X3X1/2	1	0		P
B507	1	PL1X9-11/16	2	3-5/8		P
C507	1	FB1/2X4	0	6		P
FIELD BOLTS						
F1644H	33	A490 1X2-3/4				
F16LIW	33	A LOAD IND 1				



SHOP NOTES:  
1. ALL STEEL PRIMER ONLY.

ONE-BEAM 507B1 R [AS SHOWN]  
ONE-BEAM 507B1 L [OPP HAND]  
32-A490 1 X 2 3/4 F1644H  
32-LOAD IND WASH 1 F16LIW



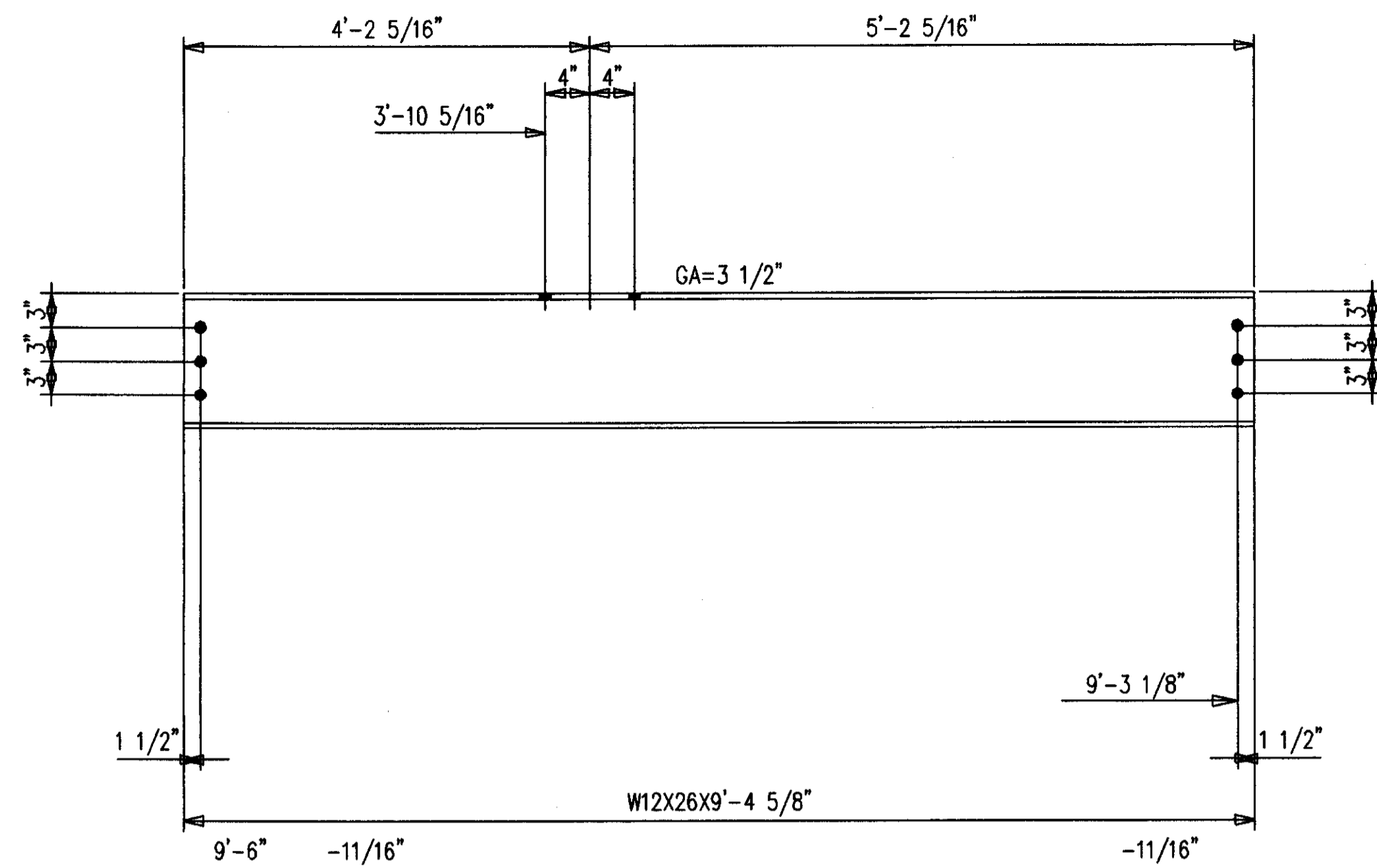
SECTION A

**AS BUILT**  
NAME: *Walter P. Moore*  
DATE: **AUG 16 1999**

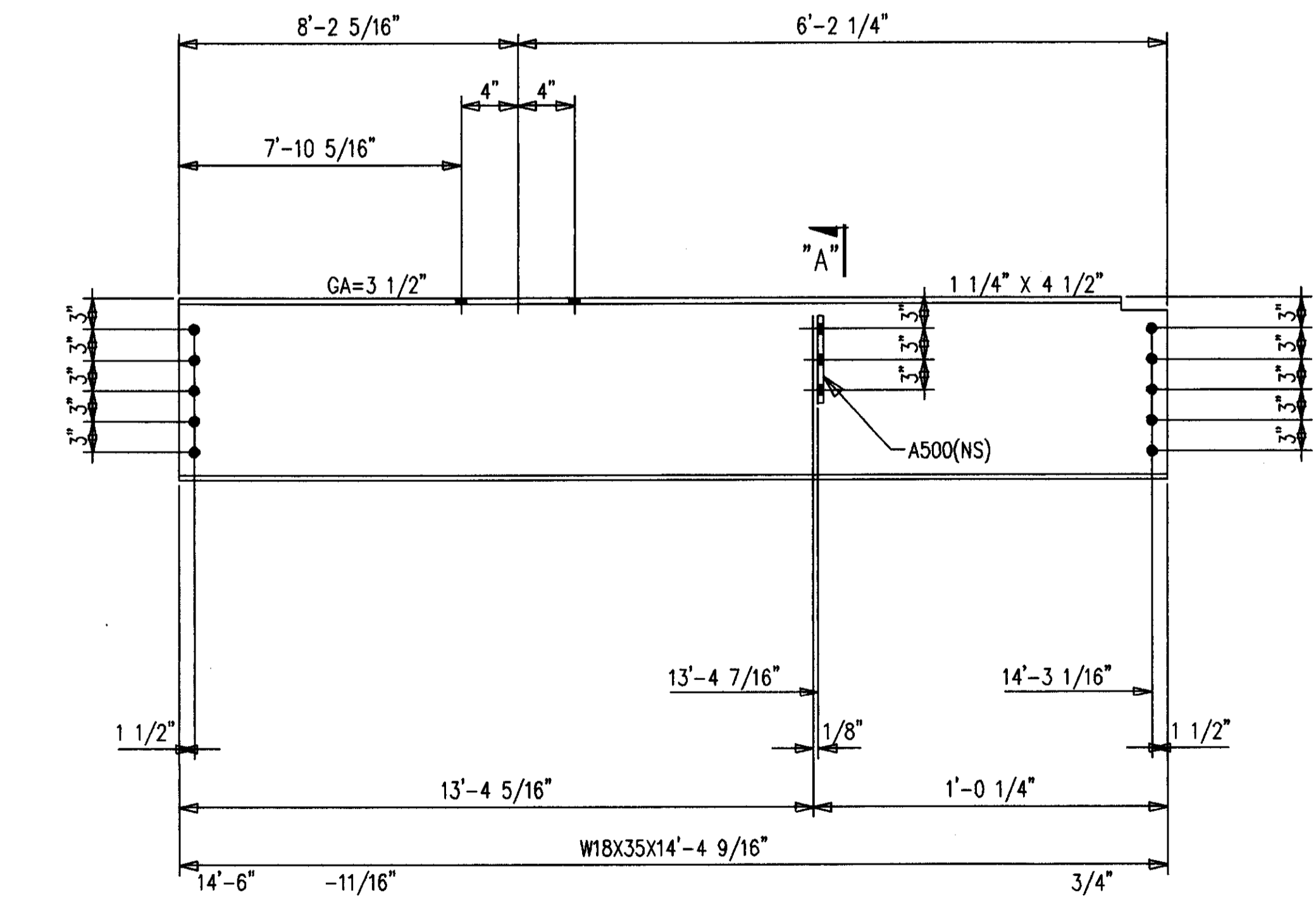
DATE	APP	SHOP	FIELD

NO. DATE		REVISION DESCRIPTION		DRAWN LCKD
CONTRACTOR TO CHECK ALL DIMENSIONS AT JOB AS MID STATES STEEL PRODUCTS CO. ASSUMES NO RESPONSIBILITY FOR GENERAL BUILDING DIMENSIONS. NO BACK CHARGES PERTAINING TO THIS WORK WILL BE ACCEPTED WITHOUT PRIOR AUTHORIZATION BY MID STATES STEEL PRODUCTS CO.				
MATERIAL U/N A36	DRAWN BY <b>KMP</b>	JOB NAME	COMMONWEALTH STADIUM EXPANSION	
OPEN HOLES U/N 1-1/16" Ø	DATE 12/98	JOB LOCATION	UNIVERSITY OF KENTUCKY	
WELD ELECTRODE U/N E70XX	CHECKED BY <b>GCL</b>	CONTRACTOR	TURNER CONSTRUCTION COMPANY	
SHOP PAINT SEE SPECS	DATE 12/98	ENGINEER	WALTER P. MOORE	
ALL A307 BOLTS w/HEX NUT	DRAWING TITLE	BEAMS		
MID STATES STEEL PRODUCTS CO. FABRICATORS OF STRUCTURAL AND MISCELLANEOUS STEEL		P.O. BOX 11128-2044 BUCK LANE LEXINGTON, KENTUCKY 40511 PHONE: 606-233-4344 FAX: 606-233-4346		ORDER NO. <b>P3524</b> SHEET NO. <b>507</b>

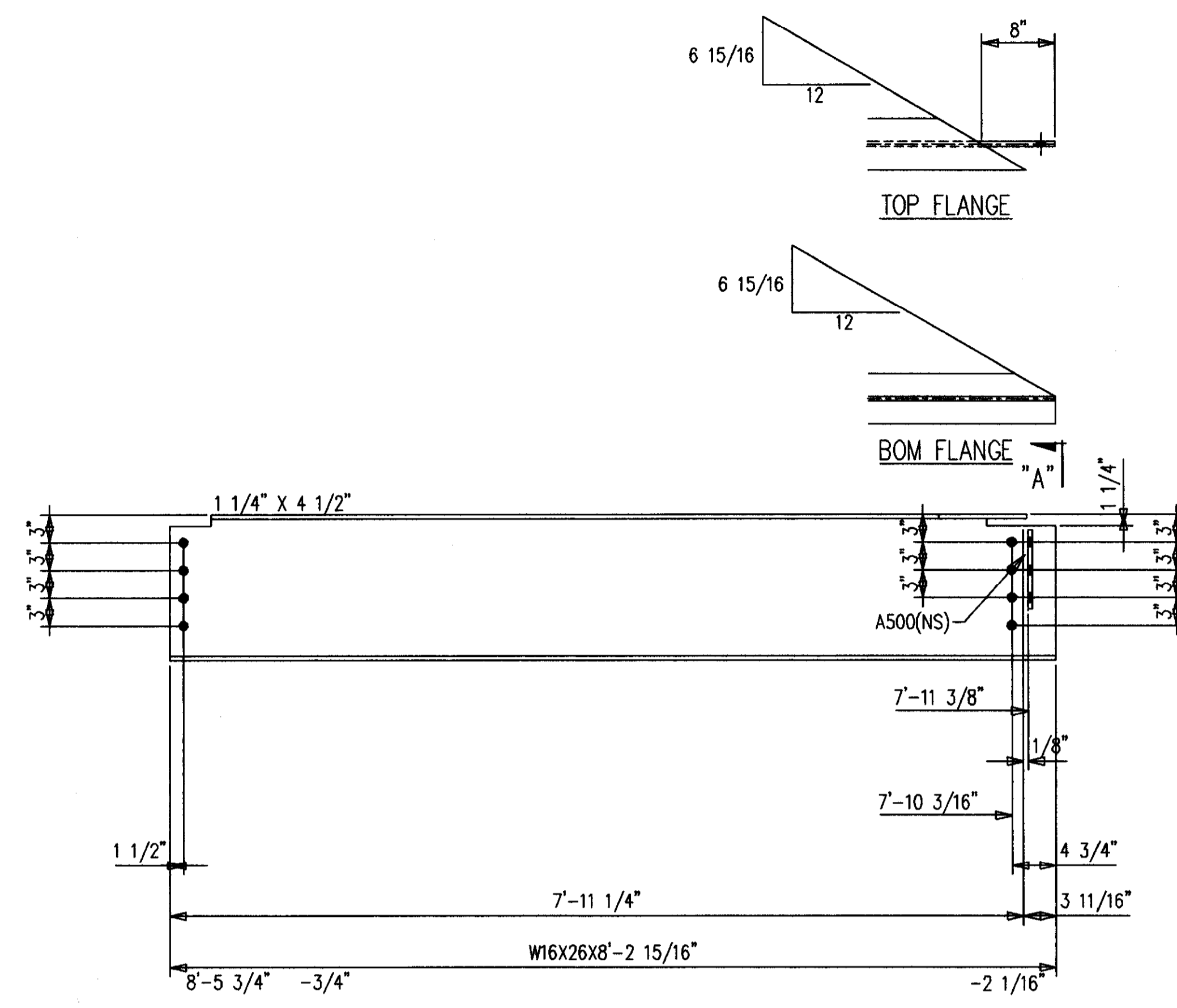
Doc # 34837  
Cab # 206  
B-2



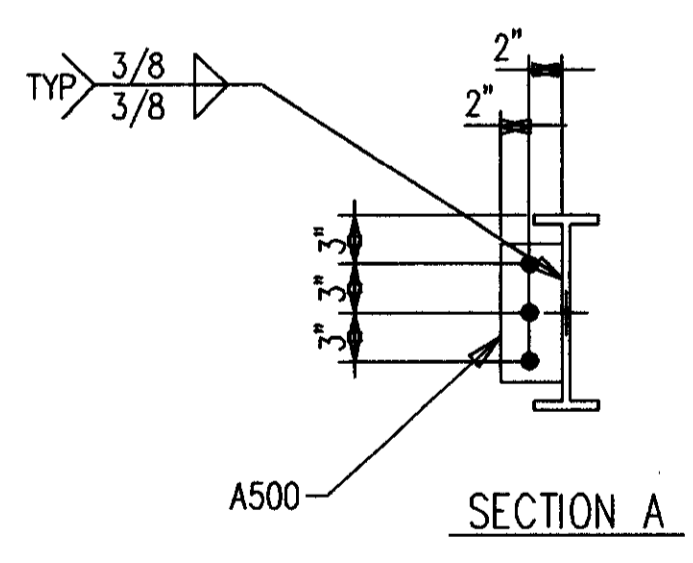
2-BEAMS 508B1  
12-A490 1 X 2 1/4 F1636H  
12-LOAD IND WASH F16LIW



ONE-BEAM 508B2 R [AS SHOWN]  
ONE-BEAM 508B2 L [OPP HAND]  
20-A490 1 X 2 1/4 F1636H  
20-LOAD IND WASH F16LIW



ONE-BEAM 508B3 R [AS SHOWN]  
ONE-BEAM 508B3 L [OPP HAND]  
16-A490 1 X 2 1/4 F1636H  
16-LOAD IND WASH F16LIW



SHOP NOTES:  
1. ALL STEEL PRIMER ONLY.

BILL OF MATERIAL

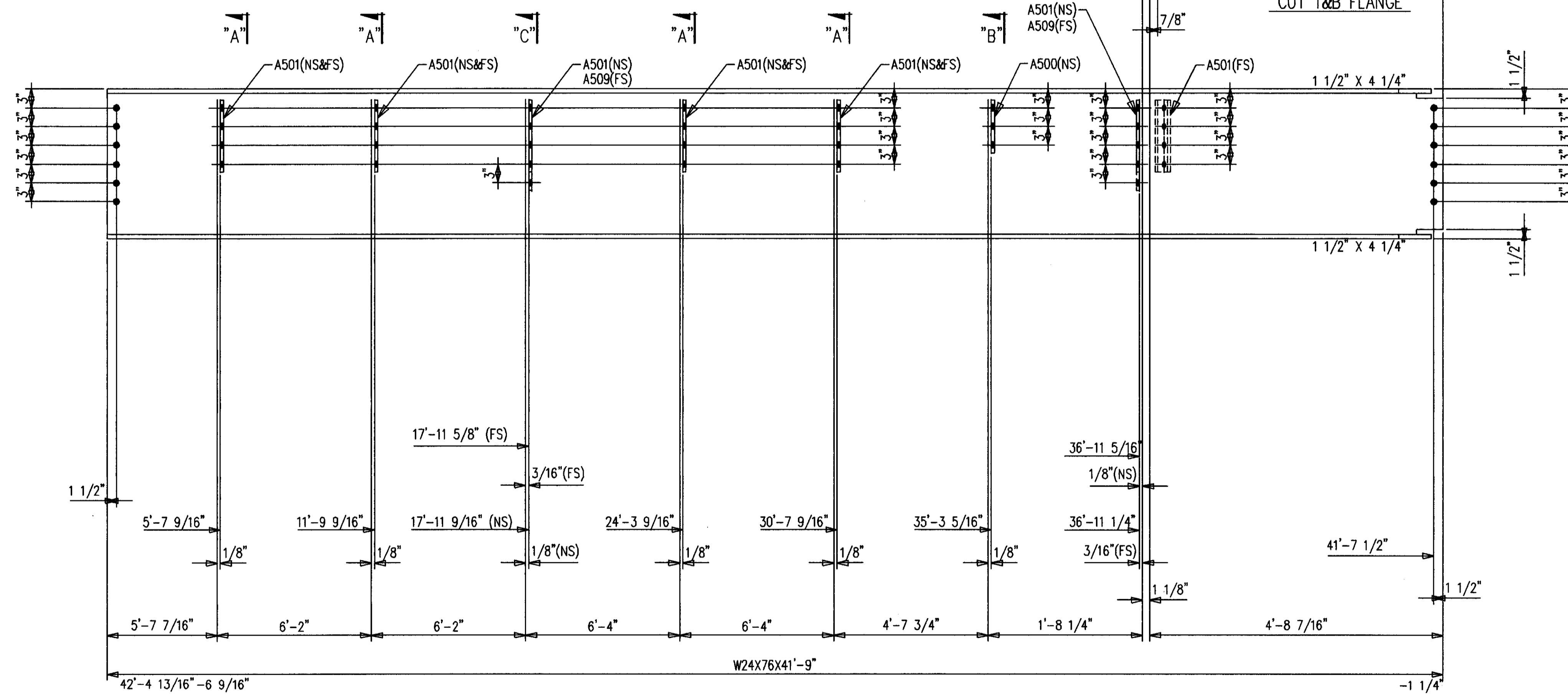
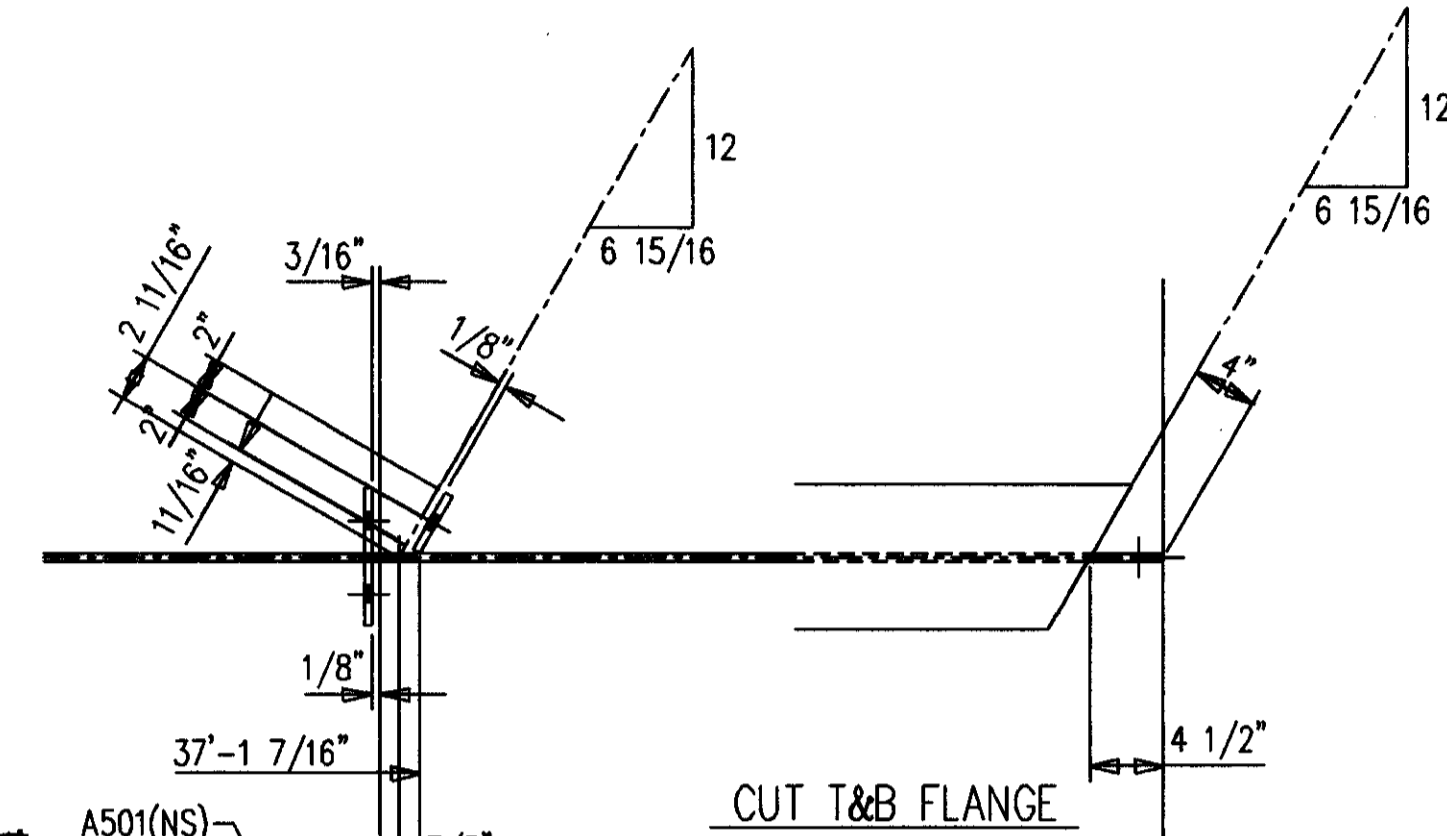
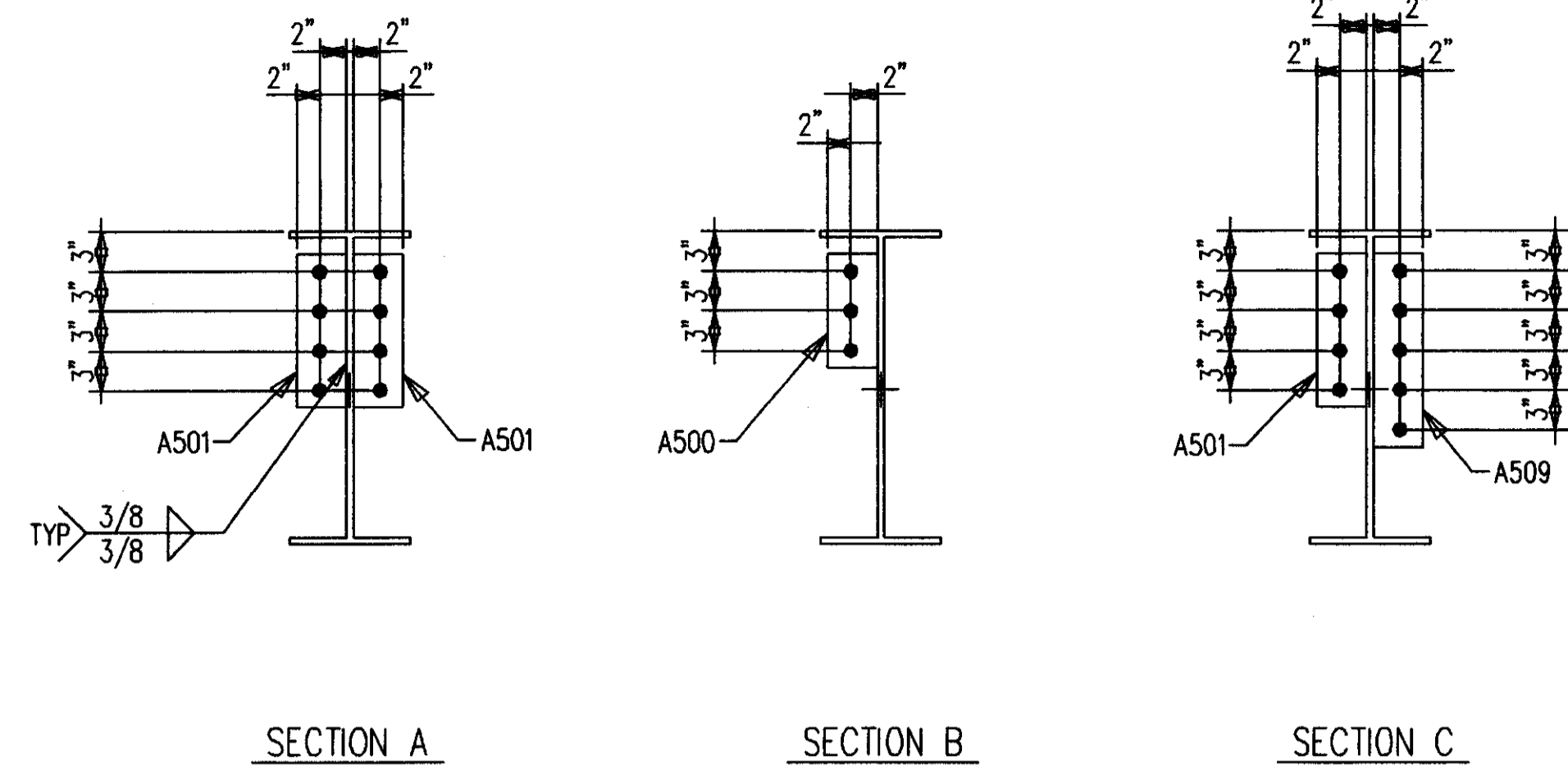
SHIP MARK SUB MARK	NO. PCS.	DESCRIPTION	LENGTH		C U I T	REMARKS
			FT.	IN.		
508B1	2	BEAMS				
508B1	2	W12X26 A572	9	4-5/8		P
508B2 L	ONE	BEAM				
508B2	1	W18X35 A572	14	4-9/16		P
A500	1	FB1/2X4	0	9		P
508B2 R	ONE	BEAM				
508B2	1	W18X35 A572	14	4-9/16		P
A500	1	FB1/2X4	0	9		P
508B3 L	ONE	BEAM				
508B3	1	W16X26 A572	8	2-15/16		P
A500	1	FB1/2X4	0	9		P
508B3 R	ONE	BEAM				
508B3	1	W16X26 A572	8	2-15/16		P
A500	1	FB1/2X4	0	9		P
		FIELD BOLTS				
F1636H	49	A490 1X2-1/4				
F16LIW	49	A LOAD IND 1				

AS BUILT  
NAME: *Max Higgins*  
DATE: AUG 16 1999

NO. DATE		REVISION DESCRIPTION		DWN. I. CND.
CONTRACTOR TO CHECK ALL DIMENSIONS AT JOB AS MID STATES STEEL PRODUCTS CO. ASSUMES NO RESPONSIBILITY FOR GENERAL BUILDING DIMENSIONS. NO BACK CHARGES PERTAINING TO THIS WORK WILL BE ACCEPTED WITHOUT PRIOR AUTHORIZATION BY MID STATES STEEL PRODUCTS CO.				
MATERIAL U/N	A36	DRAWN BY	KMP	JOB NAME
OPEN HOLES U/N	1-1/16"Ø	DATE	12/98	COMMONWEALTH STADIUM EXPANSION
		JOB LOCATION		UNIVERSITY OF KENTUCKY
		CHECKED BY	GCL	CONTRACTOR
		DATE	12/98	TURNER CONSTRUCTION COMPANY
				ENGINEER
				WALTER P. MOORE
ALL RE-ENTRANT CUTS MIN. 1/2" RAD. U/N		WELD ELECTRODE U/N		E70XX
ALL A325 BOLTS w/ONE HARD WASH. AND HVY HEX NUT		SHOP PAINT		SEE SPECS
ALL A307 BOLTS w/HEX NUT		DRAWING TITLE		BEAMS
DATE	APP	SHOP	FIELD	
P.O. BOX 11128-2044 BUCK LANE LEXINGTON, KENTUCKY 40511 PHONE: 606-233-4344 FAX: 606-233-4346				ORDER NO. P3524
MID STATES STEEL PRODUCTS CO. FABRICATORS OF STRUCTURAL AND MISCELLANEOUS STEEL				SHEET NO. 508

**BILL OF MATERIAL**

SHIP MARK SUB MARK	NO. PCS.	DESCRIPTION	LENGTH		C L I S T	REMARKS
			FT.	IN.		
509B1 L	ONE	BEAM				
509B1	1	W24X76 A572	41	9		P
A500	1	FB1/2X4	0	9		P
A501	11	FB1/2X4	1	0		P
A509	2	FB1/2X4	1	3		P
509B1 R	ONE	BEAM				
509B1	1	W24X76 A572	41	9		P
A500	1	FB1/2X4	0	9		P
A501	11	FB1/2X4	1	0		P
A509	2	FB1/2X4	1	3		P
		FIELD BOLTS				
F1640H	25	A490 1X2-1/2				
F16LIW	25	A LOAD IND 1				



ONE-BEAM 509B1 R [AS SHOWN]  
 ONE-BEAM 509B1 L [OPP HAND]  
 24-A490 1 X 2 1/2 F1640H  
 24-LOAD IND WASH 1 F16LIW

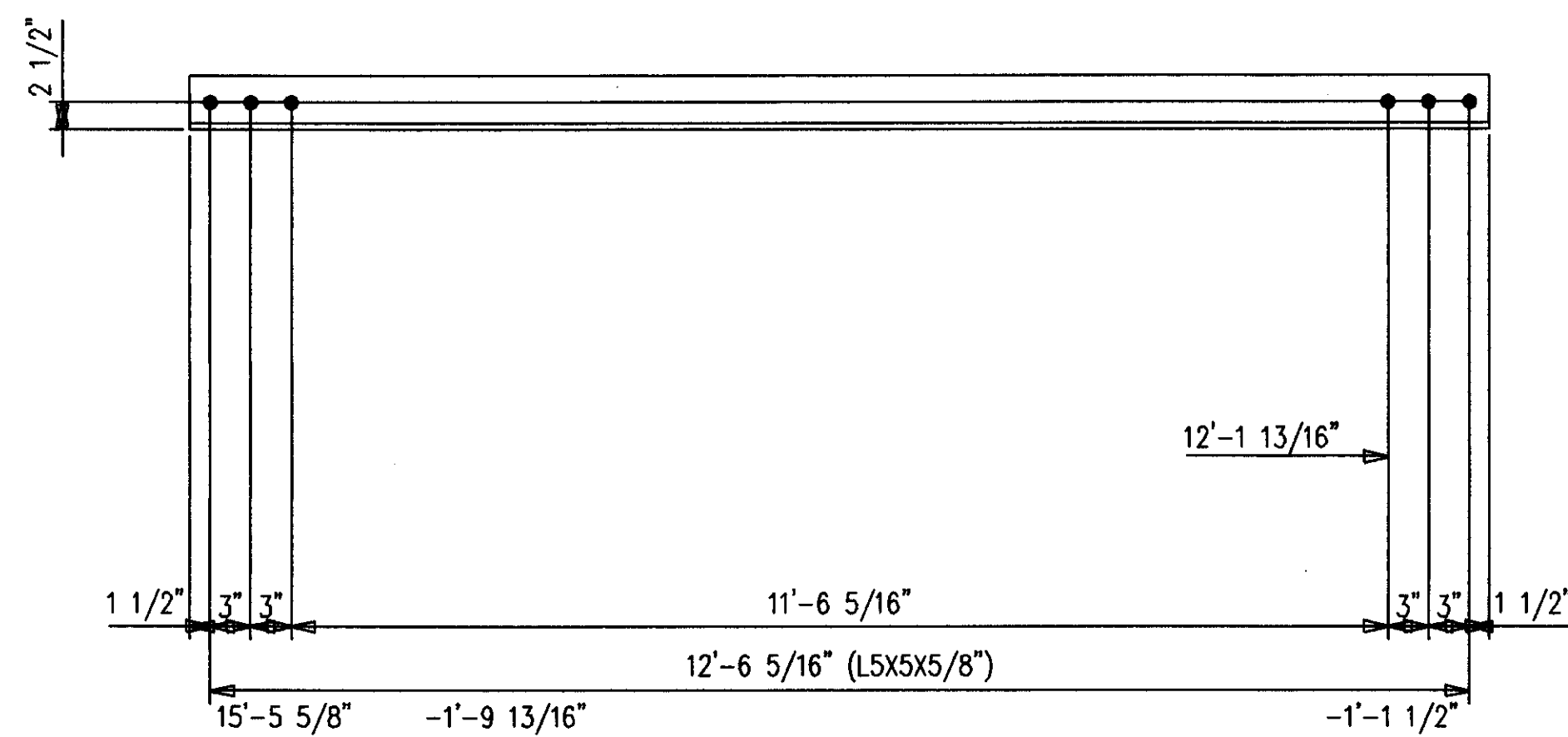
SHOP NOTES:  
 1. ALL STEEL PRIMER ONLY.

**AS BUILT**  
 NAME: *Walter Moore*  
 DATE: **AUG 16 1999**

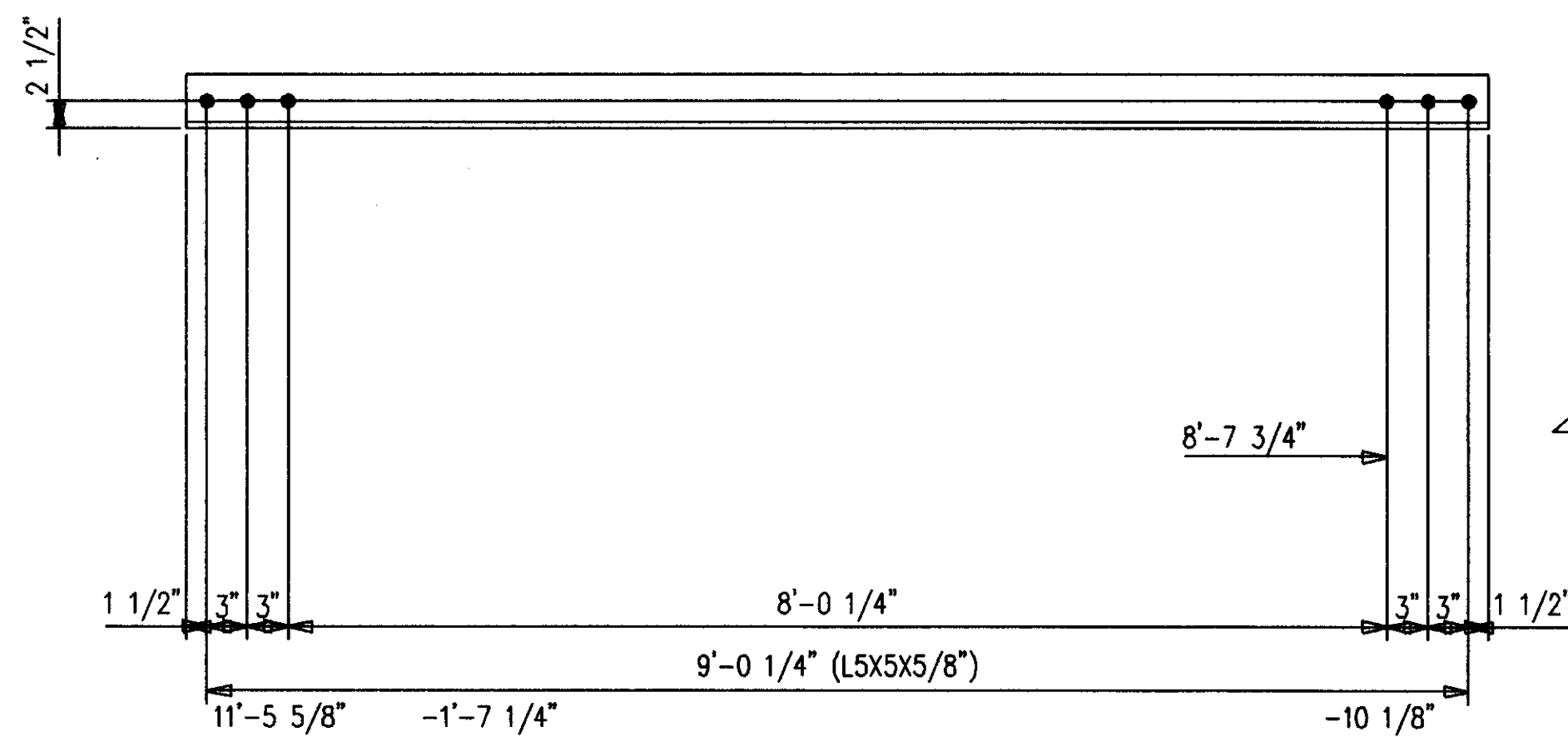
DATE	APP	SHOP	FIELD

NO. DATE		REVISION DESCRIPTION		DRAW. CDD
CONTRACTOR TO CHECK ALL DIMENSIONS AT JOB AS MID STATES STEEL PRODUCTS CO. ASSUMES NO RESPONSIBILITY FOR GENERAL BUILDING DIMENSIONS. NO BACK CHARGES PERTAINING TO THIS WORK WILL BE ACCEPTED WITHOUT PRIOR AUTHORIZATION BY MID STATES STEEL PRODUCTS CO.				
MATERIAL U/M	A36	DRAWN BY U/M	KMP	JOB NAME COMMONWEALTH STADIUM EXPANSION
OPEN HOLES U/M	1-1/16" Ø	DATE	12/98	JOB LOCATION UNIVERSITY OF KENTUCKY
WELD ELECTRODE U/M	E70XX	CHECKED BY DATE	GCL 12/98	CONTRACTOR TURNER CONSTRUCTION COMPANY
SHOP PAINT SEE SPECS		ENGINEER	WALTER P. MOORE	
DRAWING TITLE	BEAMS			
P.O. BOX 11128-2044 BUCK LANE LEXINGTON, KENTUCKY 40511 PHONE: 606-233-4344 FAX: 606-233-4346				ORDER NO. P3524
MID STATES STEEL PRODUCTS CO. FABRICATORS OF STRUCTURAL AND MISCELLANEOUS STEEL				SHEET NO. 509

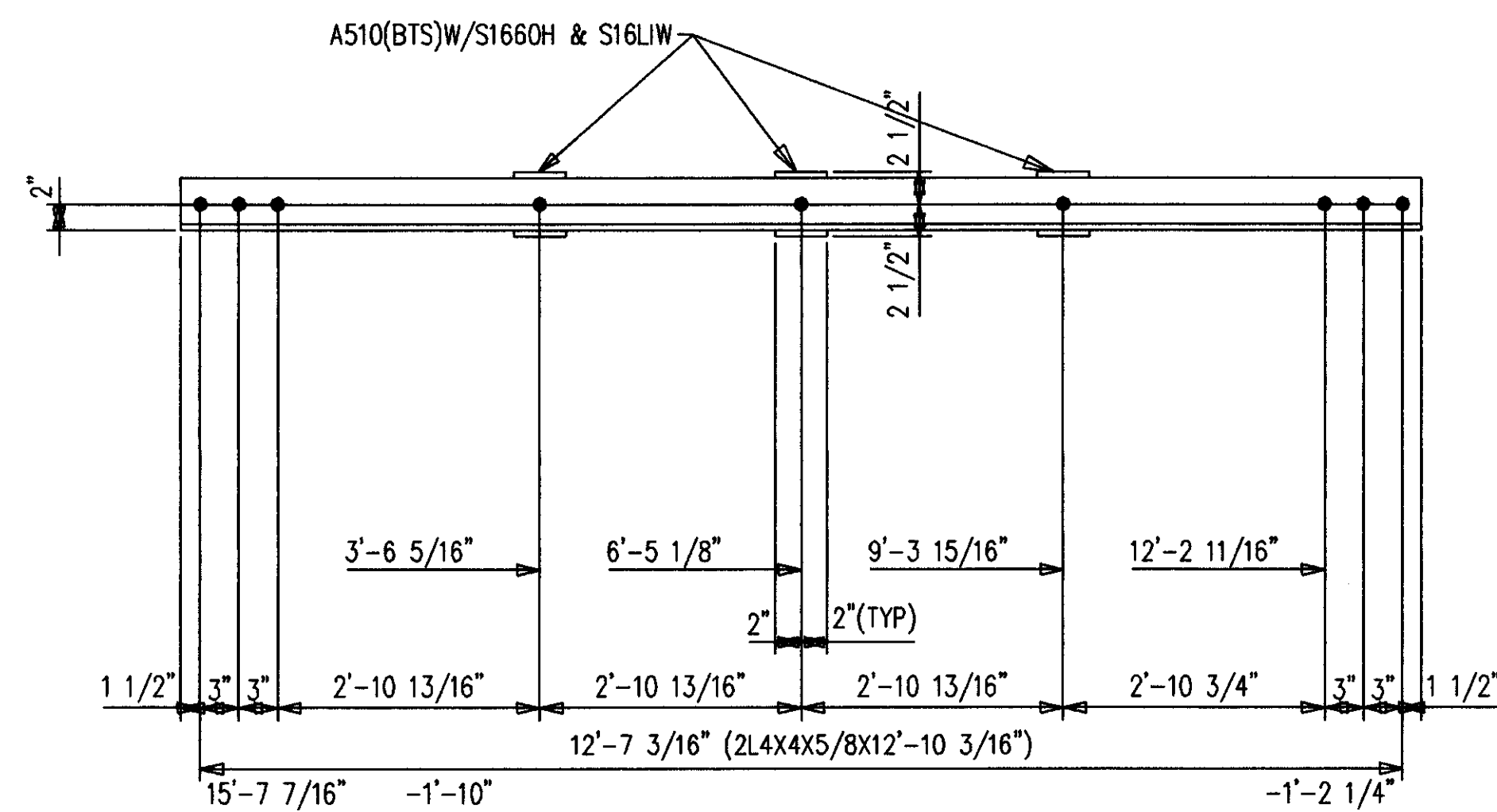
Document # 34839  
 Cab # 510t B-2  
 2/06



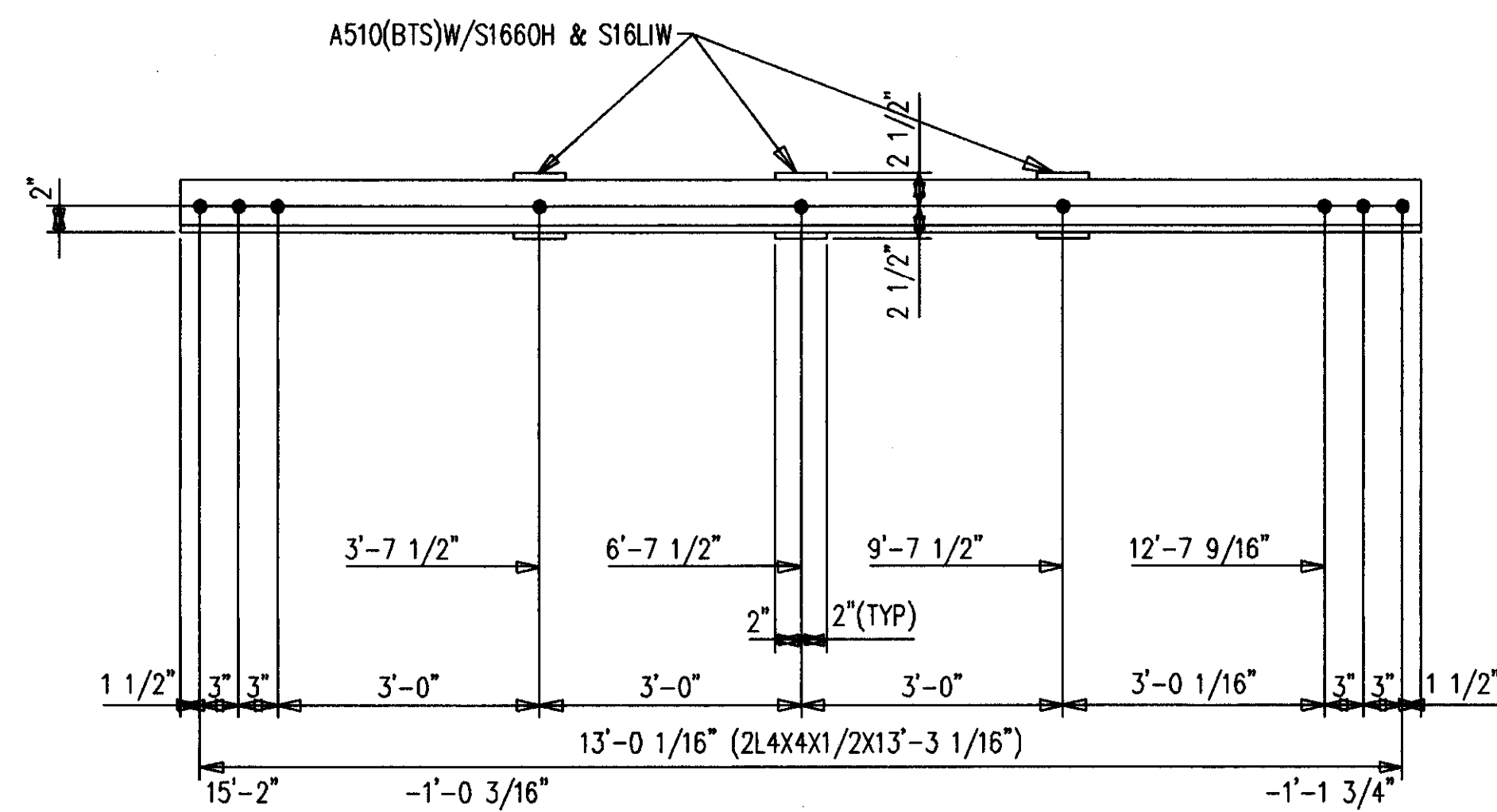
4-DIAGONALS 510D1  
24-A490 1 X 3/4 F1652H  
24-LOAD IND WASH 1 F16LIW



4-DIAGONALS 510D4  
24-A490 1 X 3/4 F1652H  
24-LOAD IND WASH 1 F16LIW



4-DIAGONALS 510D2  
24-A490 1 X 3/4 F1660H  
24-LOAD IND WASH 1 F16LIW



4-DIAGONALS 510D3  
24-A490 1 X 3/4 F1660H  
24-LOAD IND WASH 1 F16LIW

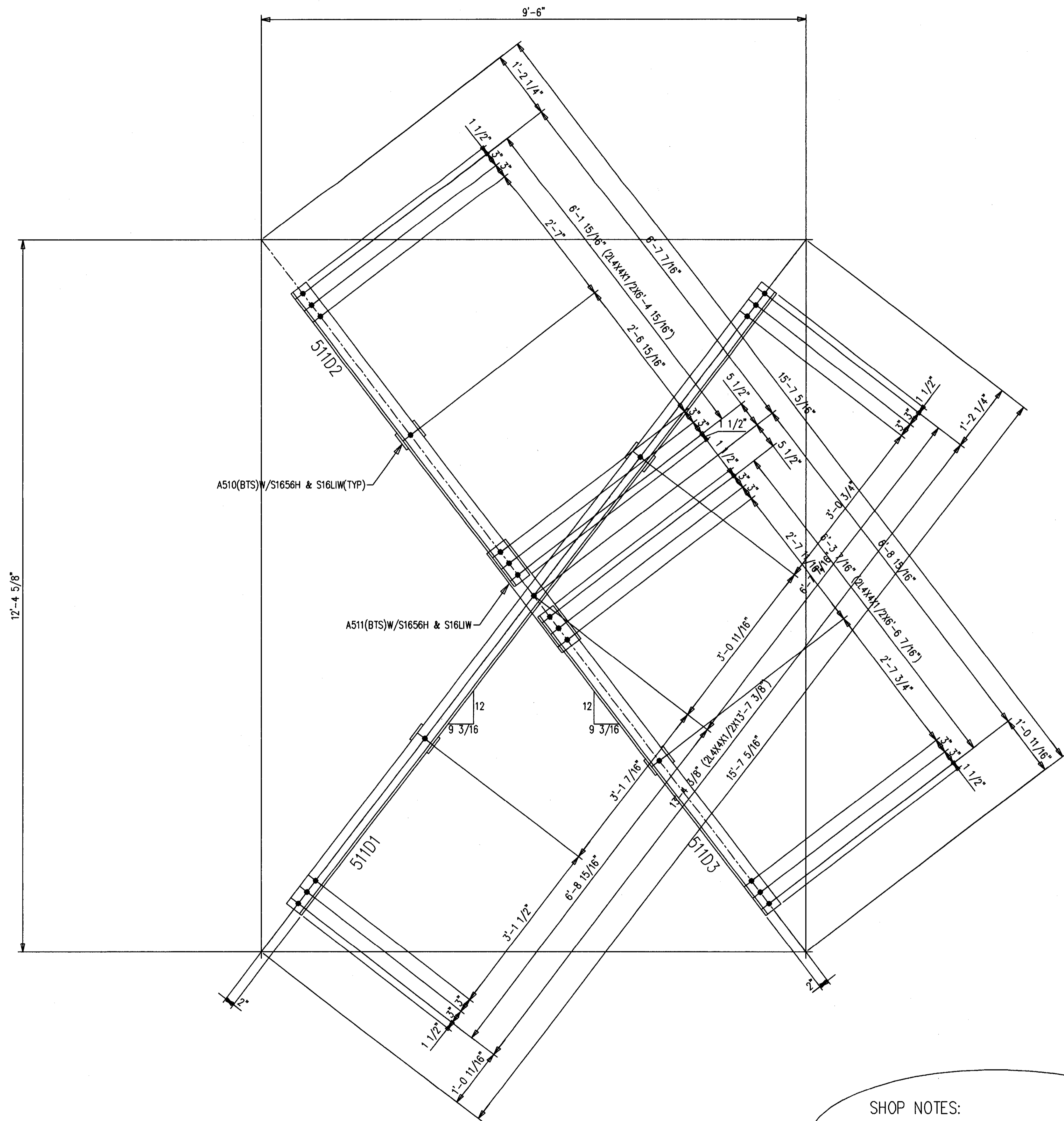
SHOP NOTES:  
1. ALL STEEL PRIMER ONLY.

AS BUILT  
NAME: *Max*  
DATE: AUG 16 1999

BILL OF MATERIAL						
SHIP MARK SUB MARK	NO. PCS.	DESCRIPTION	LENGTH		CL LIST	REMARKS
			FT.	IN.		
*510D1	4	DIAGONALS				
*510D1	4	L5X5X5/8	12	9-5/16		P
510D2	4	DIAGONALS				
510D2	8	L4X4X5/8	12	10-3/16		P
A510	12	FB1X4	0	5		P
S1660H	12	A490 1X3-3/4				
S16LIW	12	A LOAD IND 1				
510D3	4	DIAGONALS				
510D3	8	L4X4X1/2	13	3-1/16		P
A510	12	FB1X4	0	5		P
S1660H	12	A490 1X3-3/4				
S16LIW	12	A LOAD IND 1				
*510D4	4	DIAGONALS				
*510D4	4	L5X5X5/8	9	3-1/4		P
		FIELD BOLTS				
*F1652H	49	A490 1X3-1/4				
*F1660H	49	A490 1X3-3/4				
*F16LIW	97	A LOAD IND 1				

ALL RE-ENTRANT CUTS MIN. 1/2" RAD. U/N	WELD ELECTRODE E70XX	CHECKED BY GCL	DATE 12/98	CONTRACTOR TURNER CONSTRUCTION COMPANY
ALL A325 BOLTS w/ONE HARD WASH. AND HVY HEX NUT	SHOP PAINT SEE SPECS	DATE 12/98	ENGINEER WALTER P. MOORE	
ALL A307 BOLTS w/HEX NUT	DRAWING TITLE DIAGONALS	MID STATES STEEL PRODUCTS CO. P.O. BOX 11128-2044 BUCK LANE LEXINGTON, KENTUCKY 40511 PHONE: 606-233-4344 FAX: 606-233-4346		
DATE	APP	SHOP	FIELD	ORDER NO. P3524
				SHEET NO. 510

Document # 34840  
Cab # Slot B-2 206



- 2-DIAGONALS 511D1
- 2-DIAGONALS 511D2
- 2-DIAGONALS 511D3
- 36-A490 1 X 3/2 F1656H
- 36-LOAD IND WASH 1 F16LIW

SHOP NOTES:  
1. ALL STEEL PRIMER ONLY.

BILL OF MATERIAL

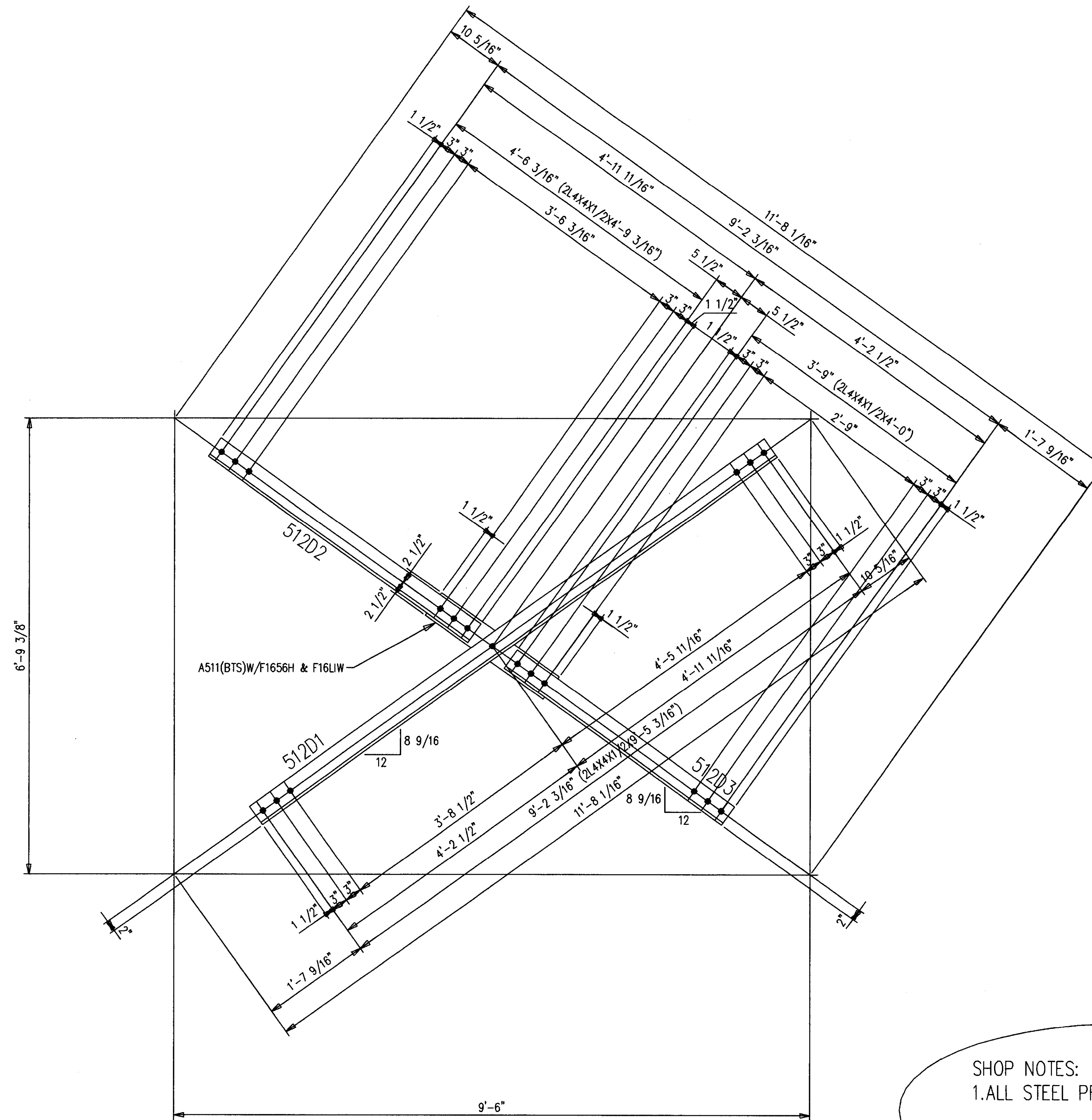
SHIP MARK SUB MARK	NO. PCS.	DESCRIPTION	LENGTH		C L I S T	REMARKS
			FT.	IN.		
511D1	2	DIAGONALS				
511D1	4	L4X4X1/2	13	7-3/8		P
A510	4	FB1X4	0	5		P
A511	2	FB1X5	2	2		P
S1656H	6	A490 1X3-1/2				
S16LIW	6	A LOAD IND 1				
511D2	2	DIAGONALS				
511D2	4	L4X4X1/2	6	4-15/16		P
A510	2	FB1X4	0	5		P
S1656H	2	A490 1X3-1/2				
S16LIW	2	A LOAD IND 1				
511D3	2	DIAGONALS				
511D3	4	L4X4X1/2	6	6-7/16		P
A510	2	FB1X4	0	5		P
S1656H	2	A490 1X3-1/2				
S16LIW	2	A LOAD IND 1				
		FIELD BOLTS				
F1656H	37	A490 1X3-1/2				
F16LIW	37	A LOAD IND 1				

**AS BUILT**  
NAME: *Max Hughes*  
DATE: **AUG 16 1999**

ALL RE-ENTRANT CUTS MIN. 1/2" RAD. U/N		WELD ELECTRODE U/N E70XX	CHECKED BY GCL	CONTRACTOR TURNER CONSTRUCTION COMPANY
ALL A325 BOLTS w/ONE HARD WASH. AND HVY HEX NUT		SHOP PAINT SEE SPECS	DATE 12/98	ENGINEER WALTER P. MOORE
ALL A307 BOLTS w/HEX NUT		DRAWING TITLE DIAGONALS	P.O. BOX 1112B-2044 BUCK LANE LEXINGTON, KENTUCKY 40511 PHONE: 606-233-4344 FAX: 606-233-4346	
DATE	APP	SHOP	FIELD	ORDER NO. <b>P3524</b>
				SHEET NO. <b>511</b>

**MID STATES STEEL PRODUCTS CO.**  
FABRICATORS OF STRUCTURAL AND MISCELLANEOUS STEEL

Cab # 5107 Document # 34841 206 C-2



SHOP NOTES:  
1. ALL STEEL PRIMER ONLY.

- 2-DIAGONALS 512D1
- 2-DIAGONALS 512D2
- 2-DIAGONALS 512D3
- 36-A490 1 X 3/2 F1656H
- 36-LOAD IND WASH 1 F16LIW

BILL OF MATERIAL

SHIP MARK SUB MARK	NO. PCS.	DESCRIPTION	LENGTH		CL US T	REMARKS
			FT.	IN.		
512D1	2	DIAGONALS				
512D1	4	L4X4X1/2	9	5-3/16		P
A511	2	FBI X5	2	2		P
S1656H	2	A490 1X3-1/2				
S16LIW	2	A LOAD IND 1				
512D2	2	DIAGONALS				
512D2	4	L4X4X1/2	4	9-3/16		P
512D3	2	DIAGONALS				
512D3	4	L4X4X1/2	4	0		P
		FIELD BOLTS				
F1656H	37	A490 1X3-1/2				
F16LIW	37	A LOAD IND 1				

**AS BUILT**  
NAME: *Max Hughes*  
DATE: **AUG 16 1999**

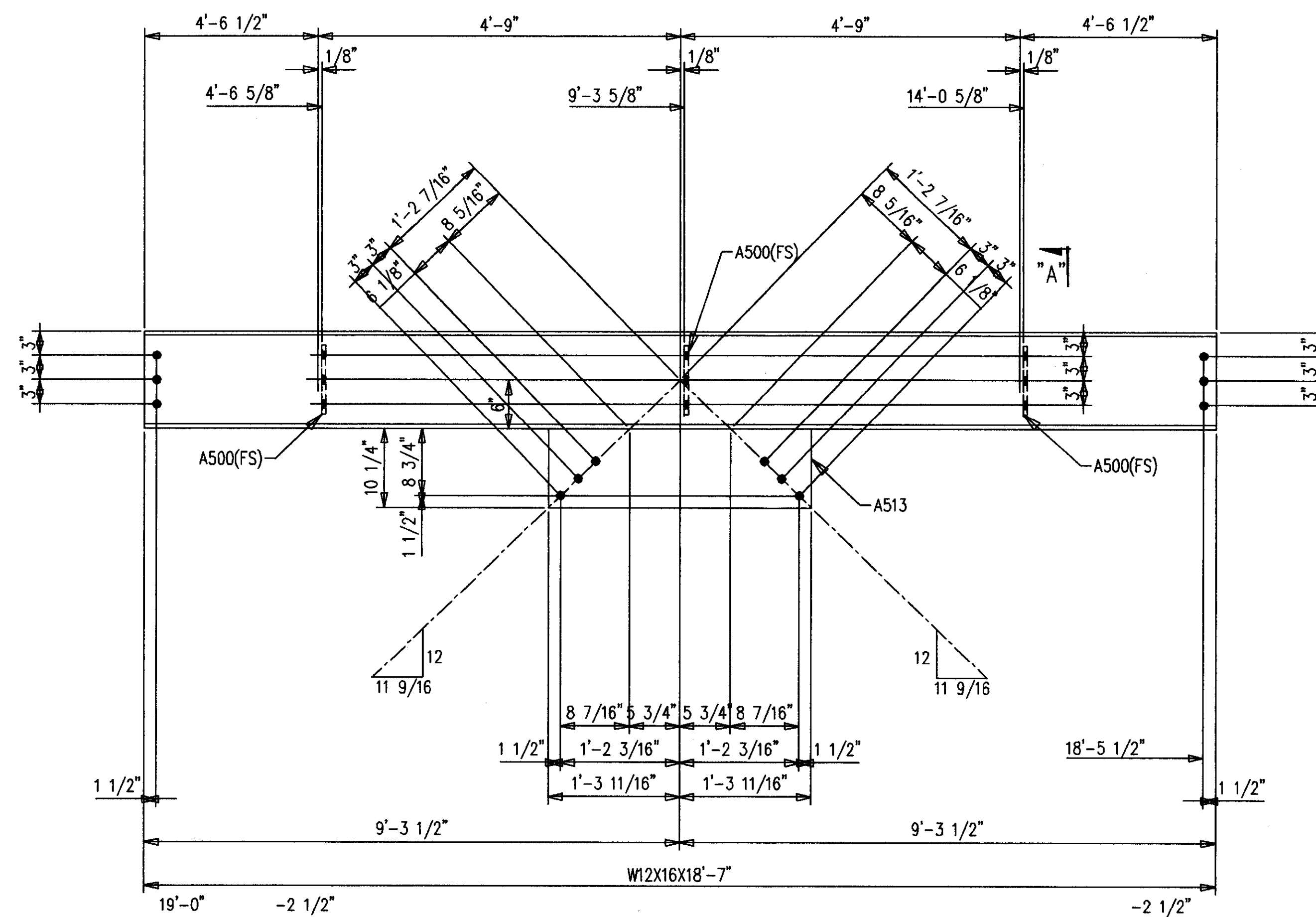
NO.	DATE	REVISION DESCRIPTION	DWN L CKD
CONTRACTOR TO CHECK ALL DIMENSIONS AT JOB AS MID STATES STEEL PRODUCTS CO. ASSUMES NO RESPONSIBILITY FOR GENERAL BUILDING DIMENSIONS. NO BACK CHARGES PERTAINING TO THIS WORK WILL BE ACCEPTED WITHOUT PRIOR AUTHORIZATION BY MID STATES STEEL PRODUCTS CO.			
MATERIAL U/N	A36	DRAWN BY <b>KMP</b>	JOB NAME COMMONWEALTH STADIUM EXPANSION
OPEN HOLES U/N	1-1/16" Ø	DATE 12/98	JOB LOCATION UNIVERSITY OF KENTUCKY
WELD ELECTRODE U/N	E70XX	CHECKED BY <b>GCL</b>	CONTRACTOR TURNER CONSTRUCTION COMPANY
SHOP PAINT	SEE SPECS	DATE 12/98	ENGINEER WALTER P. MOORE
DRAWING TITLE: <b>DIAGONALS</b>			

DATE	APP	SHOP	FIELD

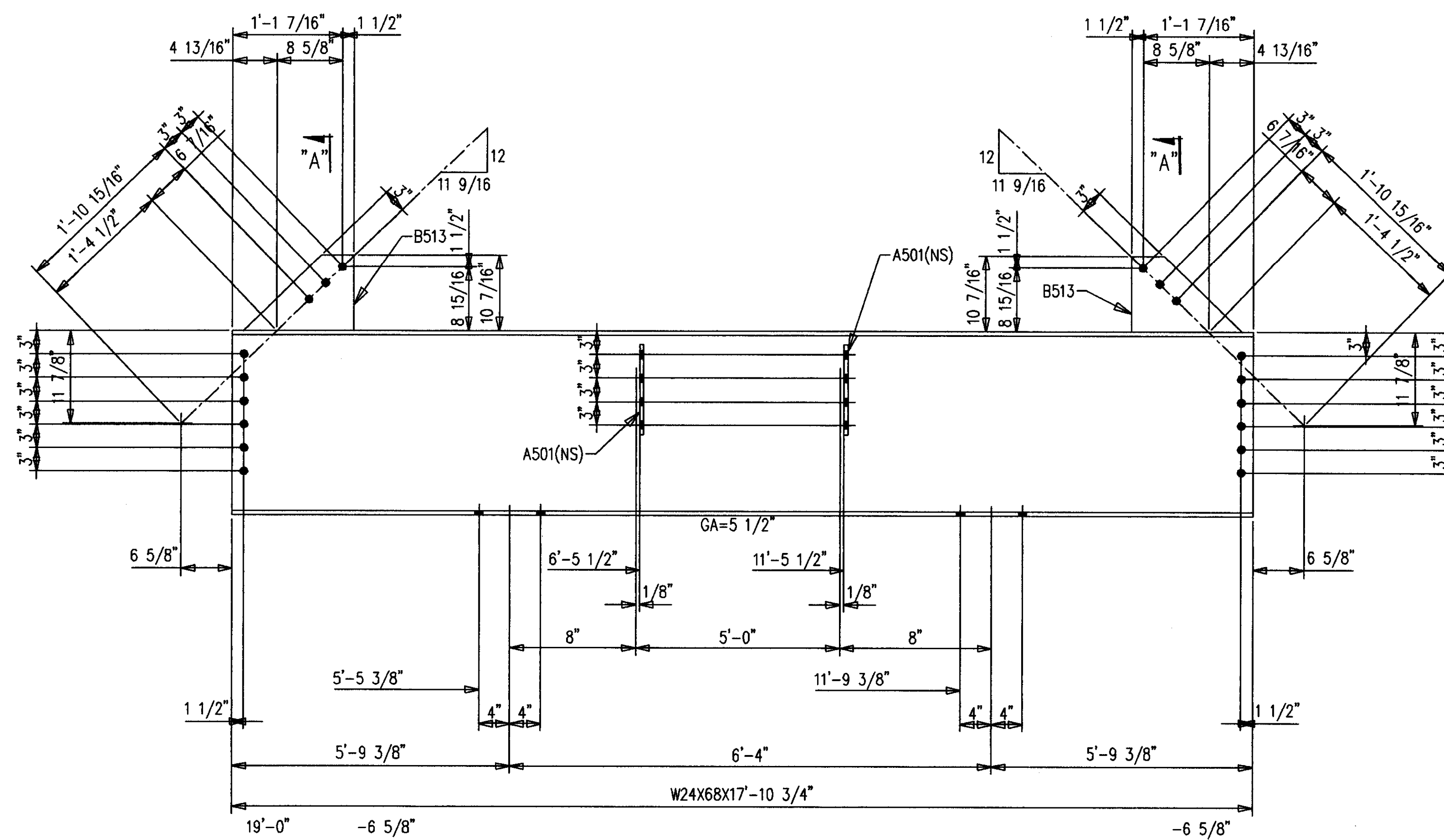
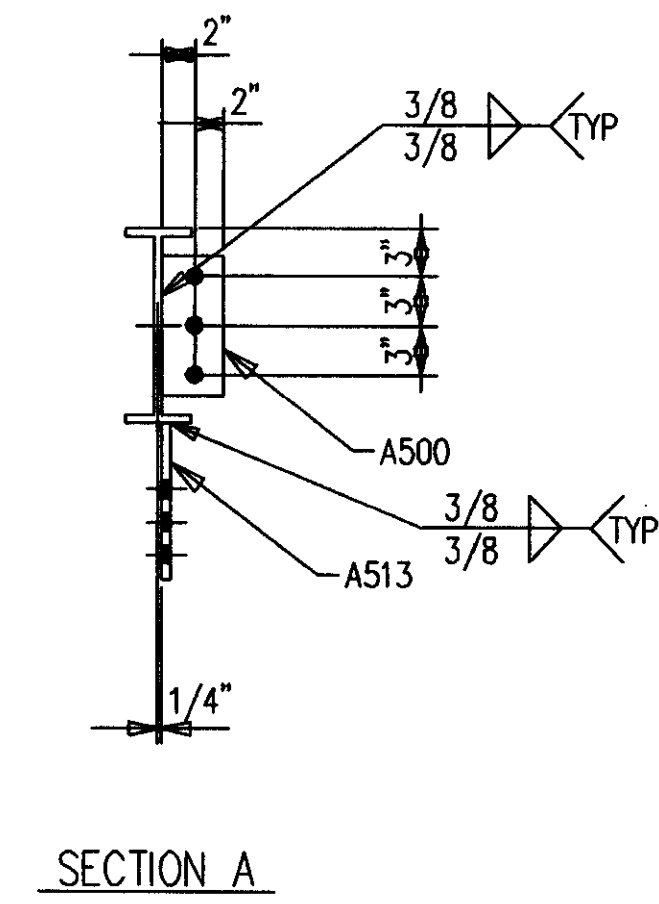
**MID STATES STEEL PRODUCTS CO.**  
FABRICATORS OF STRUCTURAL AND MISCELLANEOUS STEEL  
P.O. BOX 11128-2044 BUCK LANE  
LEXINGTON, KENTUCKY 40511  
PHONE: 606-253-4344 FAX: 606-253-4346

ORDER NO. **P3524**  
SHEET NO. **512**

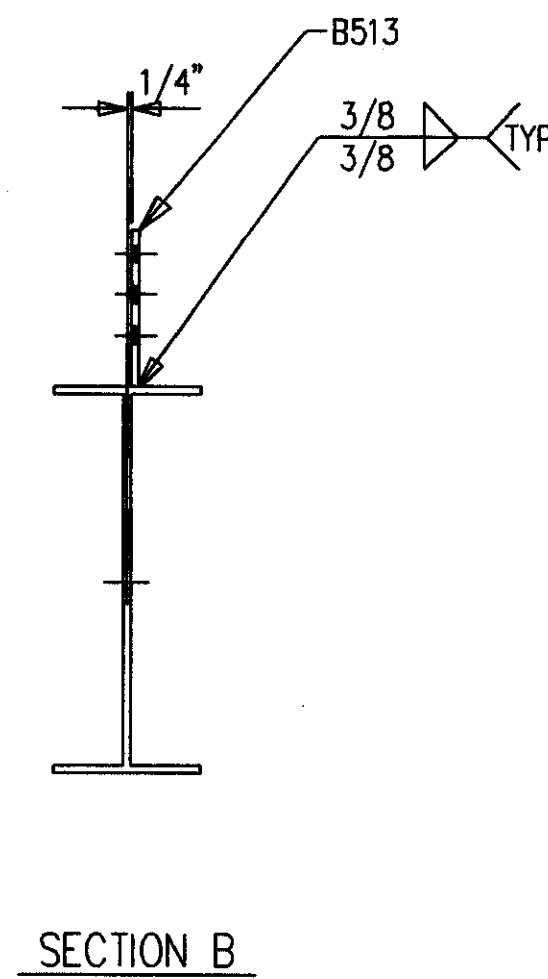




**2-BEAMS 513B1**  
 12-A490 1 X 2 1/4 F1636H  
 12-LOAD IND WASH 1 F16LIW



**2-BEAMS 513B2**  
 24-A490 1 X 2 1/4 F1644H  
 24-LOAD IND WASH 1 F16LIW



**BILL OF MATERIAL**

SHIP MARK SUB MARK	NO. PCS.	DESCRIPTION	LENGTH		CL UNIT	REMARKS
			FT.	IN.		
513B1	2	BEAMS				
513B1	2	W12X16 A572	18	7		P
A500	6	FB1/2X4	0	9		P
A513	2	PL1X10-1/4	2	7-3/8		P
513B2	2	BEAMS				
513B2	2	W24X68 A572	17	10-3/4		P
A501	4	FB1/2X4	1	0		P
B513	4	PL1X10-7/16	1	2-5/16		P
		FIELD BOLTS				
F1636H	13	A490 1X2-1/4				
F1644H	25	A490 1X2-3/4				
F16LIW	37	A LOAD IND 1				

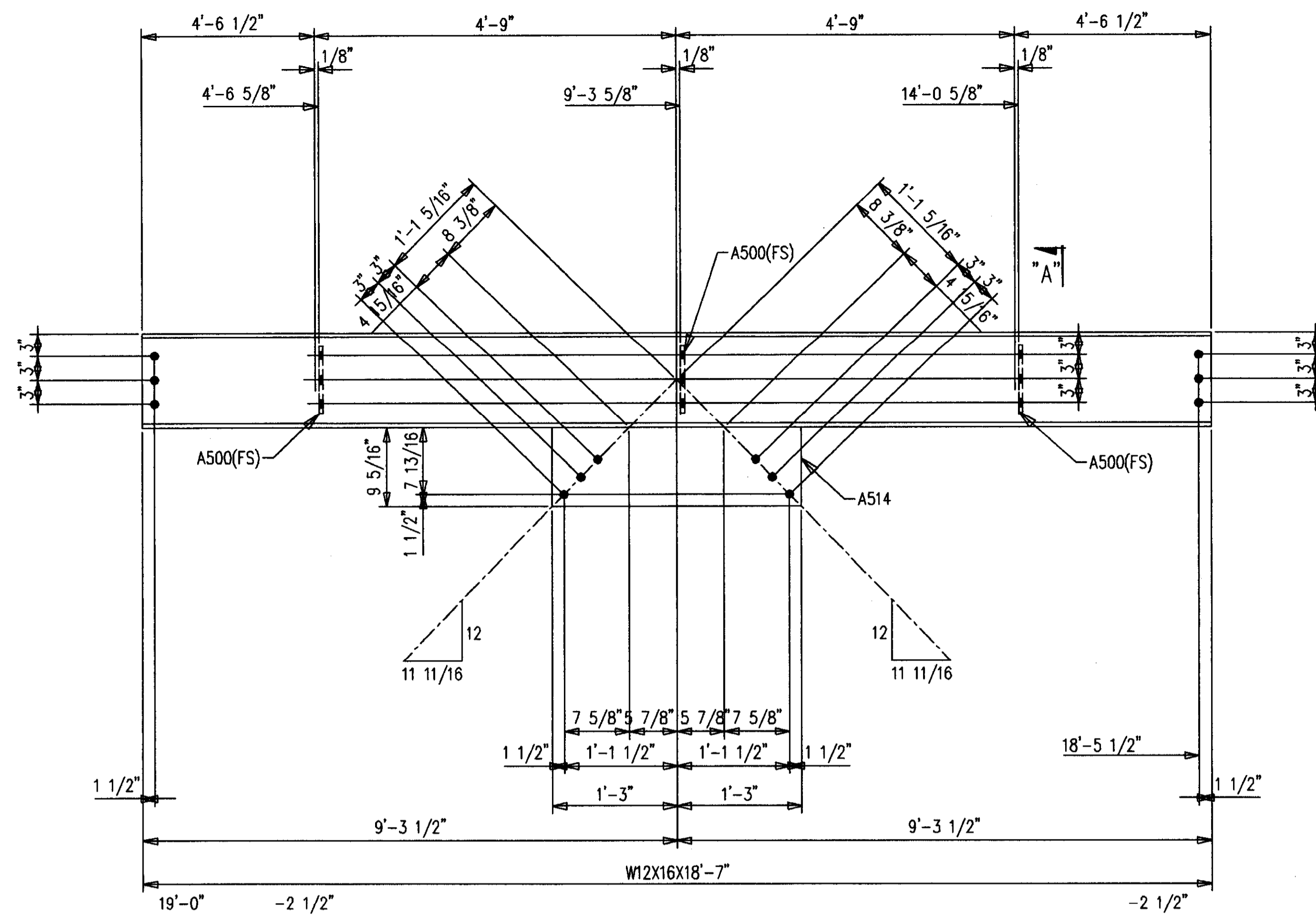
**AS BUILT**  
 NAME: *Max Hughes*  
 DATE: **AUG 16 1999**

ALL RE-ENTRANT CUTS MIN. 1/2" RAD. U/W	WELD ELECTRODE E70XX	CHECKED BY GCL	DATE 12/98	CONTRACTOR TURNER CONSTRUCTION COMPANY	ENGINEER WALTER P. MOORE
ALL A325 BOLTS w/ONE HARD WASH. AND HWY HEX NUT	SHOP PAINT SEE SPECS	DRAWING TITLE BEAMS			
ALL A307 BOLTS w/HEX NUT	DATE	APP	SHOP	FIELD	

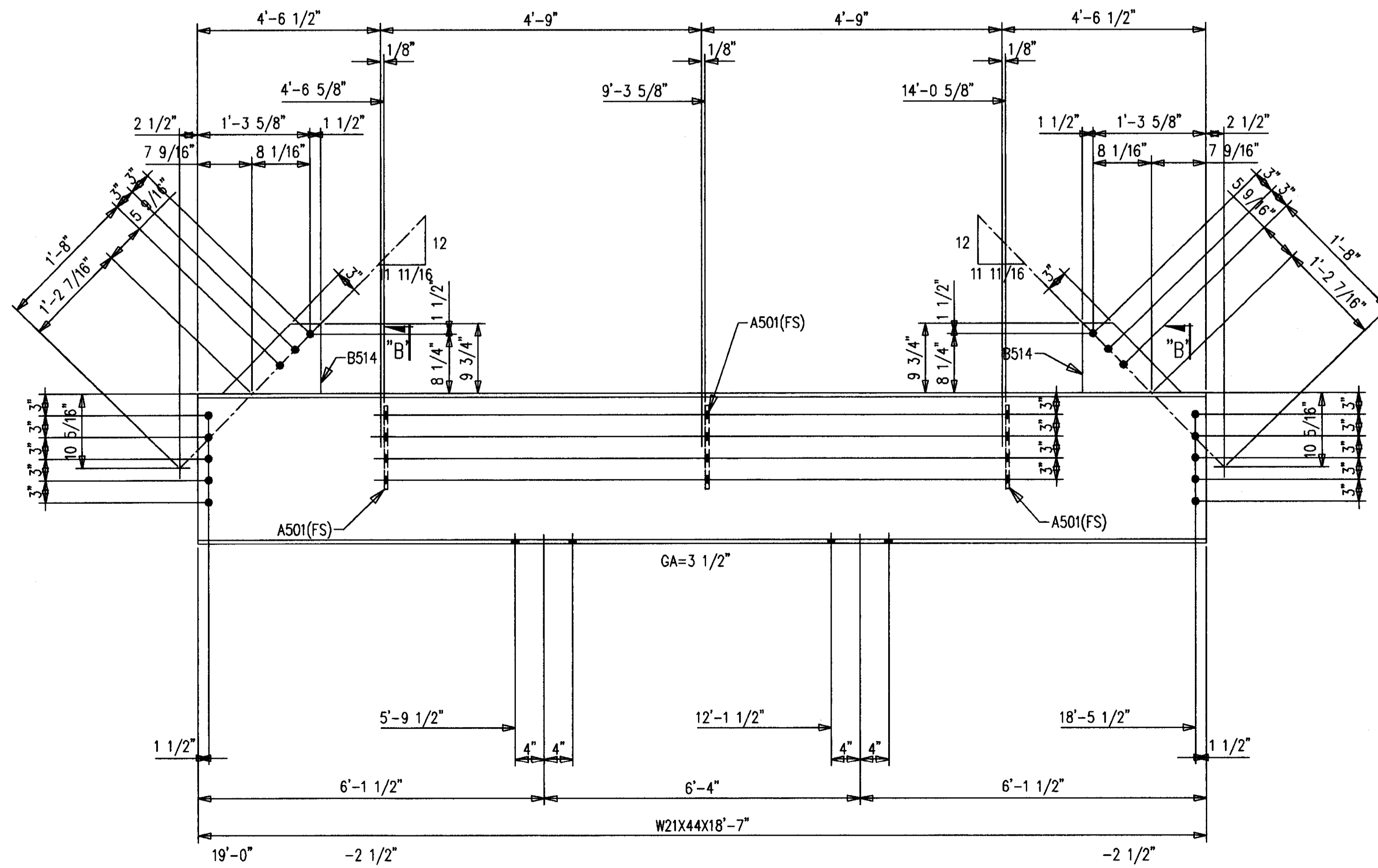
MID STATES STEEL PRODUCTS CO.  
 FABRICATORS OF STRUCTURAL AND MISCELLANEOUS STEEL

P.O. BOX 11128-2044 BUCK LANE  
 LEXINGTON, KENTUCKY 40511  
 PHONE: 606-233-4344 FAX: 606-233-4346

ORDER NO.  
**P3524**  
 SHEET NO.  
**513**



2-BEAMS 514B1  
12-A490 1 X 2 1/2 F1636H  
12-LOAD IND WASH 1 F16LIW



2-BEAMS 514B2  
20-A490 1 X 2 1/2 F1640H  
20-LOAD IND WASH 1 F16LIW

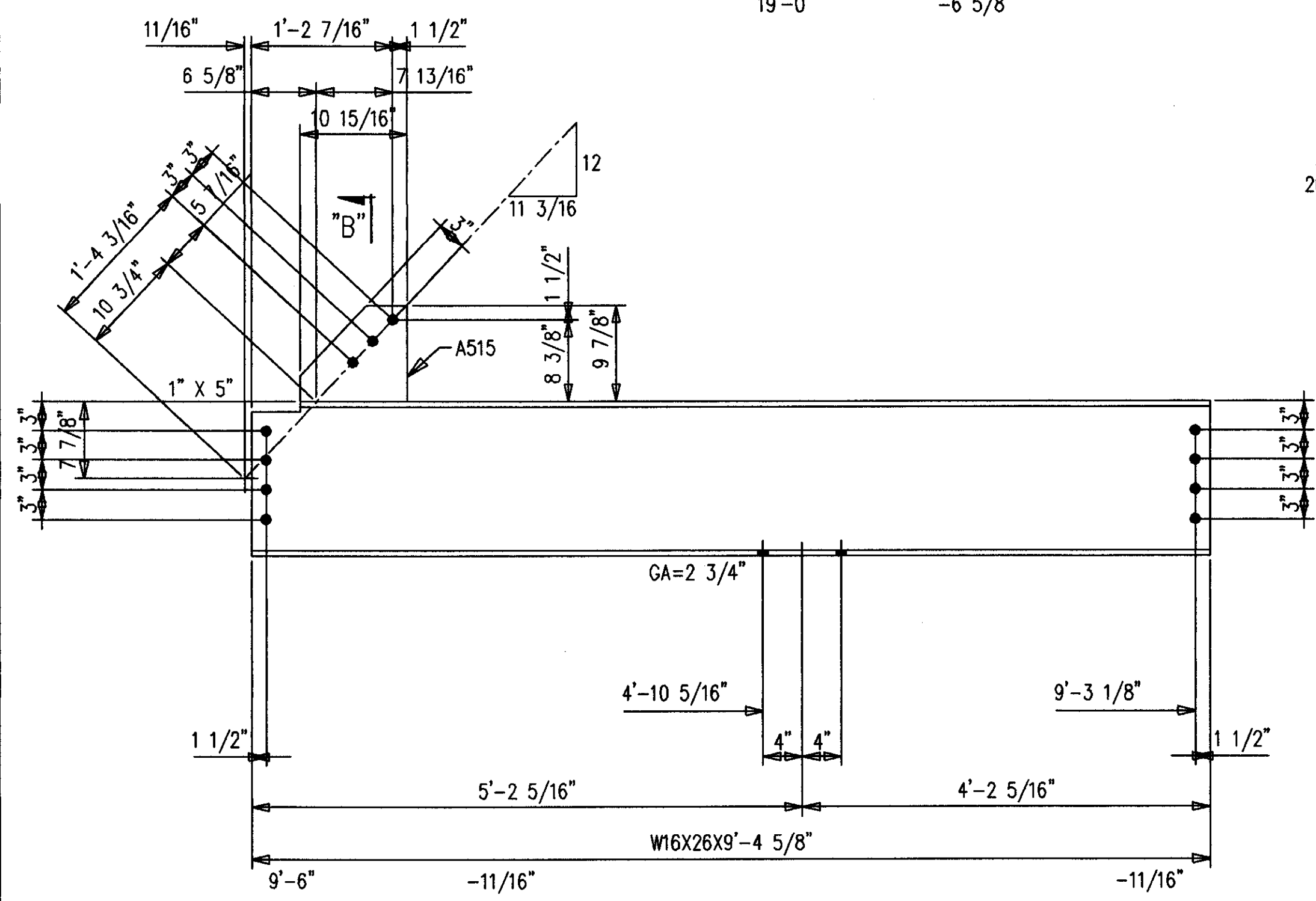
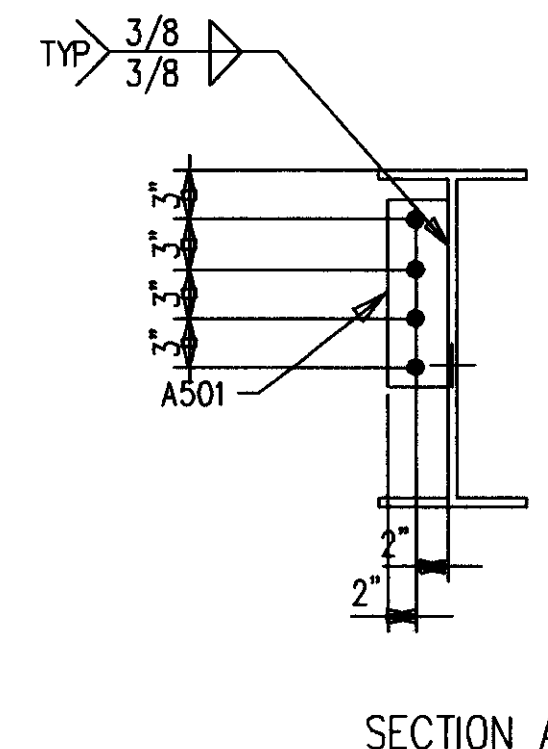
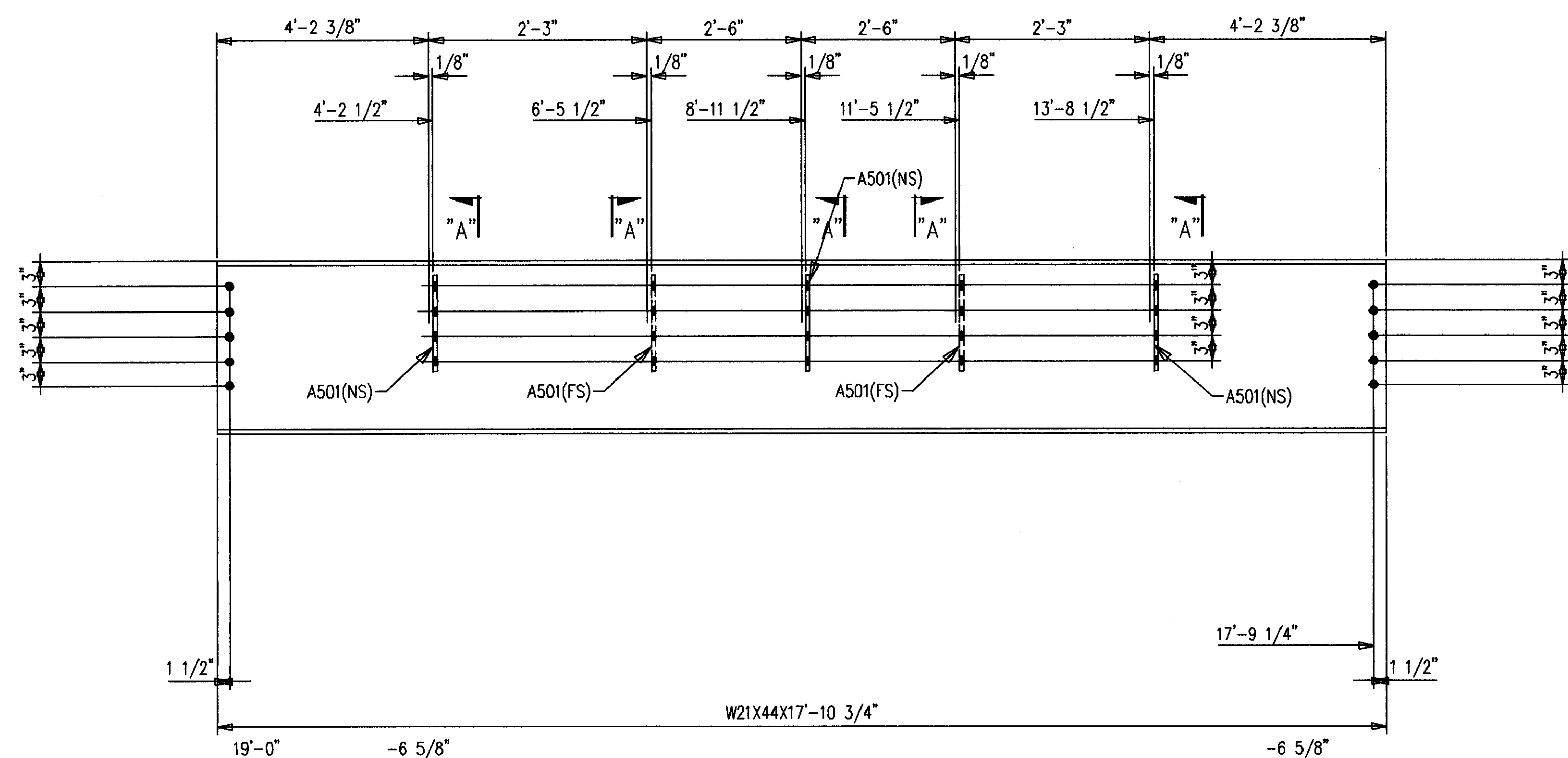
BILL OF MATERIAL

SHIP MARK SUB MARK	NO. PCS.	DESCRIPTION	LENGTH		CL US T	REMARKS
			FT.	IN.		
514B1	2	BEAMS				
514B1	2	W12X16 A572	18	7		P
A500	6	FB1/2X4	0	9		P
A514	2	PL1X9-5/16	2	6		P
514B2	2	BEAMS				
514B2	2	W21X44 A572	18	7		P
A501	6	FB1/2X4	1	0		P
B514	4	PL1X9-3/4	1	1-3/4		P
		FIELD BOLTS				
F1636H	13	A490 1X2-1/4				
F1640H	21	A490 1X2-1/2				
F16LIW	33	A LOAD IND 1				

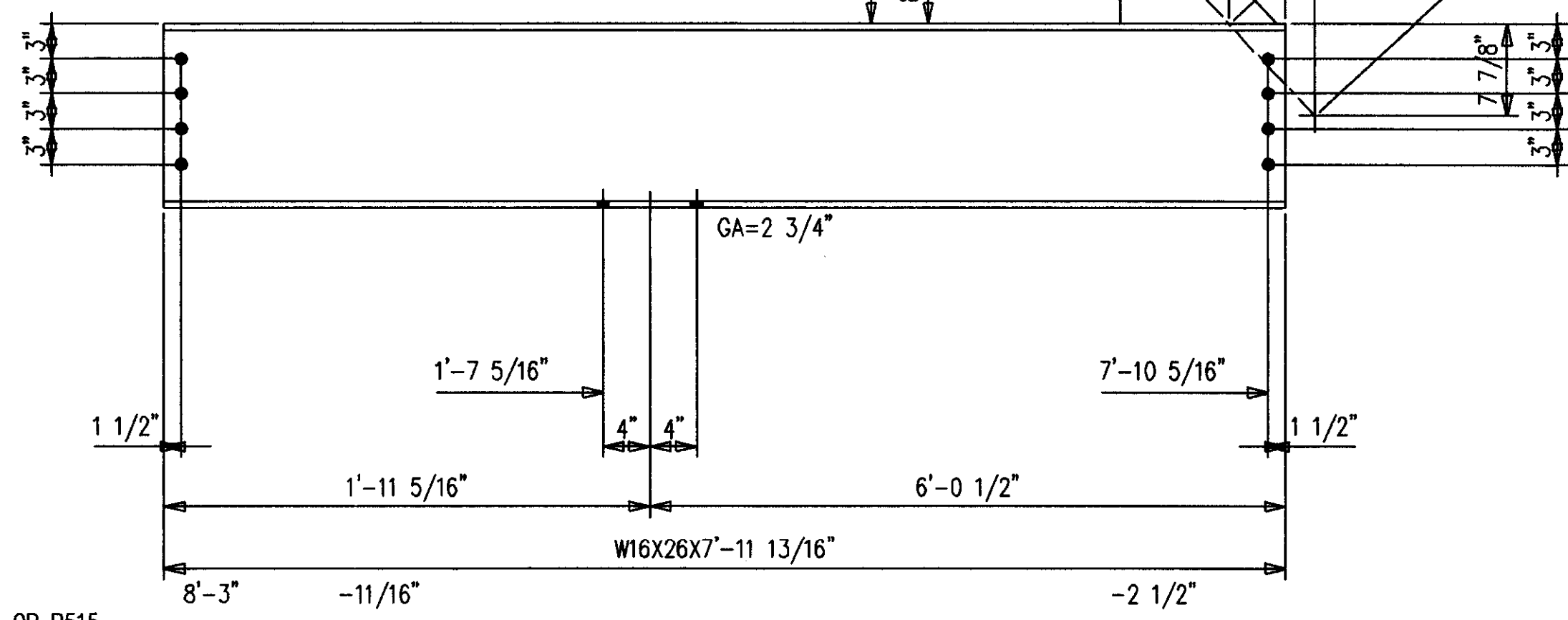
AS BUILT  
NAME: *Map Hughes*  
DATE: AUG 16 1999

DATE	APP	SHOP	FIELD

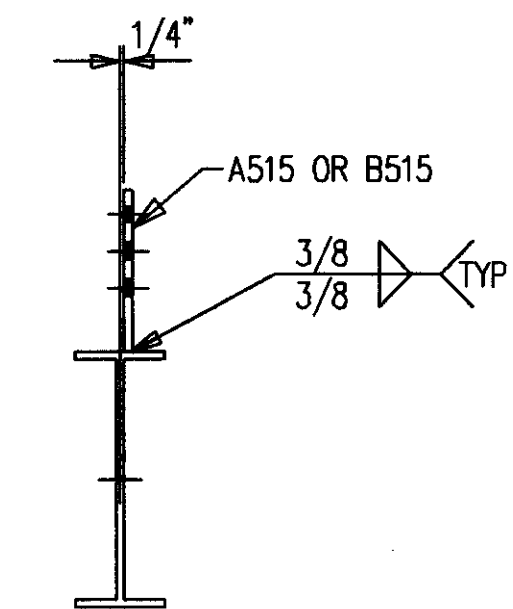
CONTRACTOR TO CHECK ALL DIMENSIONS AT JOB AS MID STATES STEEL PRODUCTS CO. ASSUMES NO RESPONSIBILITY FOR GENERAL BUILDING DIMENSIONS. NO BACK CHARGES PERTAINING TO THIS WORK WILL BE ACCEPTED WITHOUT PRIOR AUTHORIZATION BY MID STATES STEEL PRODUCTS CO.	
MATERIAL U/N A36	DRAWN BY <i>KMP</i> JOB NAME COMMONWEALTH STADIUM EXPANSION
OPEN HOLES U/N 1-1/16" Ø	DATE 12/98 JOB LOCATION UNIVERSITY OF KENTUCKY
WELD ELECTRODE U/N E70XX	CHECKED BY <i>GCL</i> CONTRACTOR TURNER CONSTRUCTION COMPANY
SHOP PAINT SEE SPECS	DATE 12/98 ENGINEER WALTER P. MOORE
DRAWING TITLE BEAMS	
P.O. BOX 11128-2044 BUCK LANE LEXINGTON, KENTUCKY 40511 PHONE: 606-233-4344 FAX: 606-233-4346	
ORDER NO. P3524	SHEET NO. 514



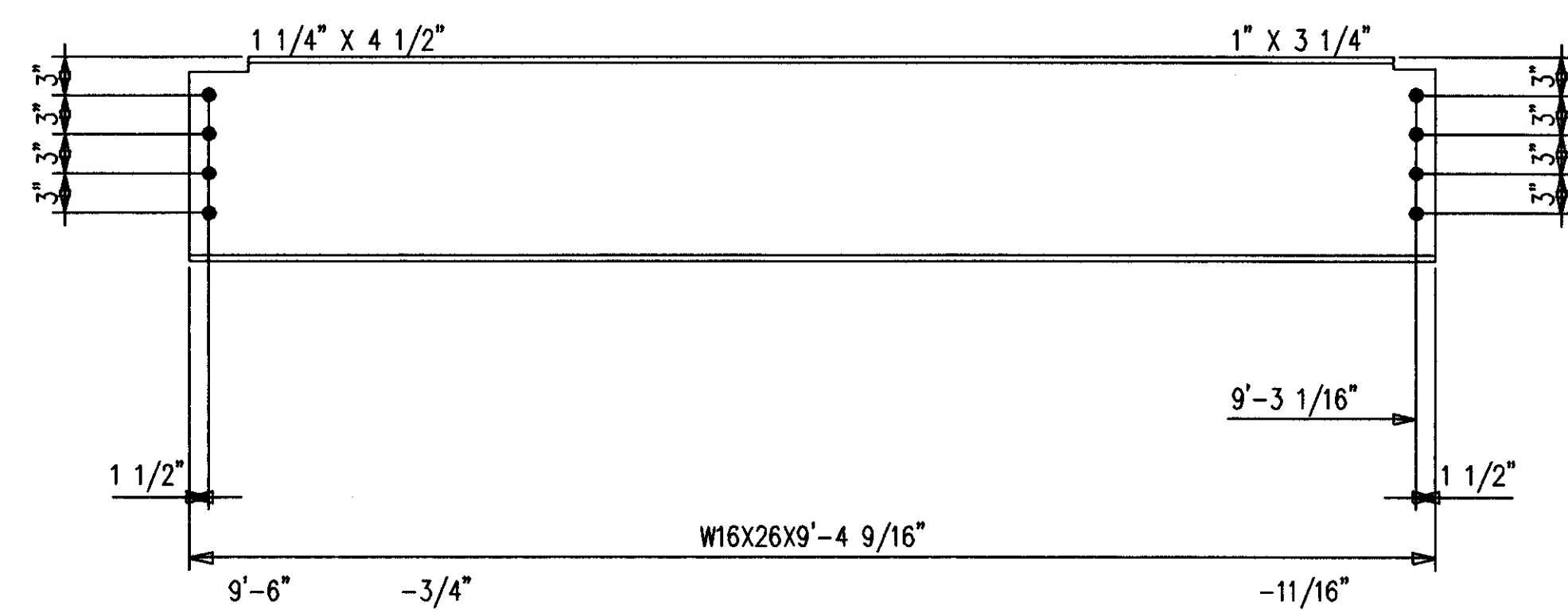
**2-BEAMS 515B1**  
 20-A490 1 X 2 3/4 F1644H  
 20-LOAD IND WASH 1 F16LIW



**ONE-BEAM 515B3 R [AS SHOWN]**  
**ONE-BEAM 515B3 L [OPP HAND]**  
 16-A490 1 X 2 3/4 F1636H  
 16-LOAD IND WASH 1 F16LIW



SECTION B



**4-BEAMS -515B4**  
 32-A490 1 X 2 3/4 F1636H  
 32-LOAD IND WASH 1 F16LIW

**ONE-BEAM 515B2 R [AS SHOWN]**  
**ONE-BEAM 515B2 L [OPP HAND]**  
 16-A490 1 X 2 3/4 F1636H  
 16-LOAD IND WASH 1 F16LIW

**BILL OF MATERIAL**

SHIP MARK SUB MARK	NO. PCS.	DESCRIPTION	LENGTH		CL UST	REMARKS
			FT.	IN.		
515B1	2	BEAMS				
515B1	2	W21X44 A572	17	10-3/4		P
A501	10	FB1/2X4	1	0		P
515B2 L	ONE	BEAM				
515B2	1	W16X26 A572	9	4-5/8		P
A515	1	PL1X9-7/8	0	10-15/16		P
515B2 R	ONE	BEAM				
515B2	1	W16X26 A572	9	4-5/8		P
A515	1	PL1X9-7/8	0	10-15/16		P
515B3 L	ONE	BEAM				
515B3	1	W16X26 A572	7	11-13/16		P
B151	1	PL1X9-7/8	1	1-3/8		P
515B3 R	ONE	BEAM				
515B3	1	W16X26 A572	7	11-13/16		P
B151	1	PL1X9-7/8	1	1-3/8		P
515B4	4	BEAMS				
515B4	4	W16X26 A572	9	4-9/16		P
		FIELD BOLTS				
F1636H	65	A490 1X2-1/4				
F1644H	21	A490 1X2-3/4				
F16LIW	85	A LOAD IND 1				

SHOP NOTES:  
 1. ALL STEEL PRIMER ONLY.

**AS BUILT**  
 NAME: *Max Hughes*  
 DATE: **AUG 16 1999**

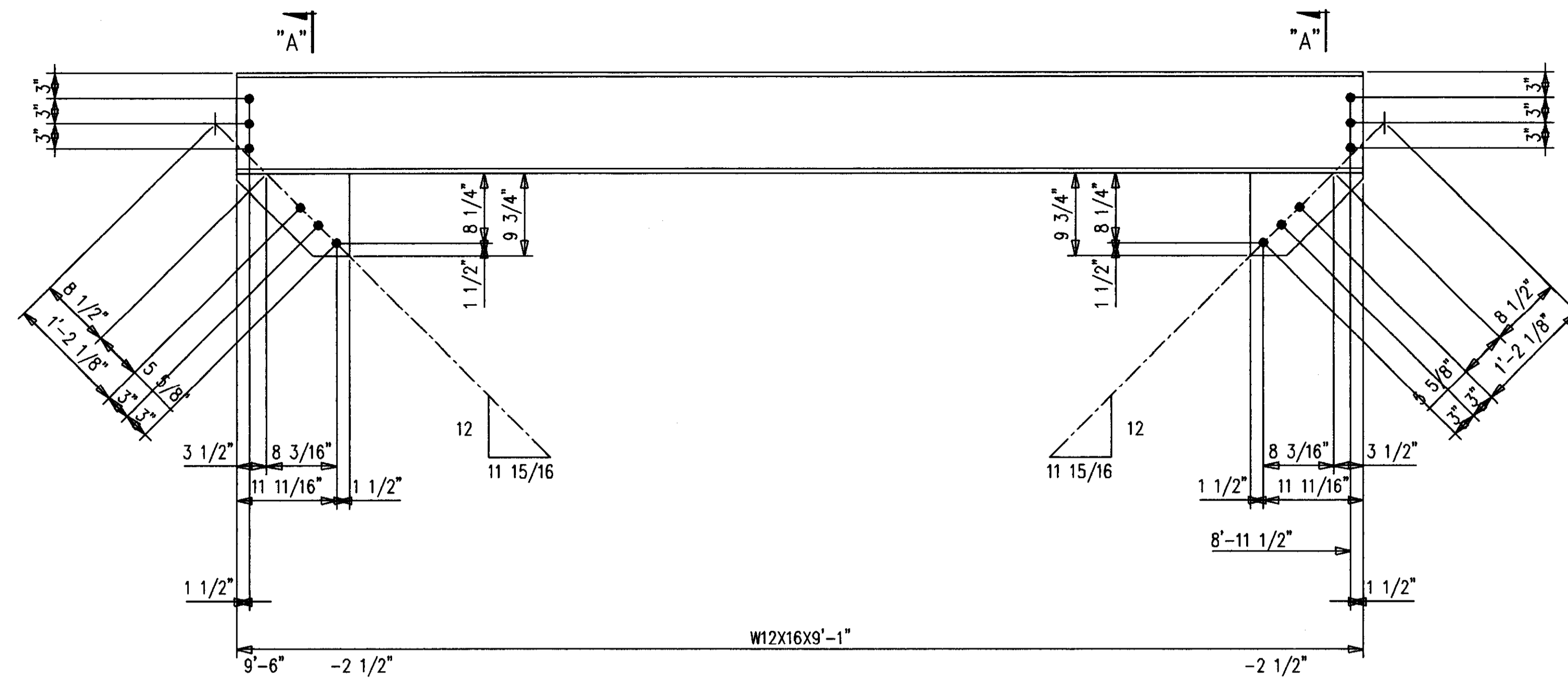
ALL RE-ENTRANT CUTS MIN. 1/2" RAD. U/N	WELD ELECTRODE E70XX	CHECKED BY GCL	CONTRACTOR TURNER CONSTRUCTION COMPANY
ALL A325 BOLTS w/ONE HARD WASH. AND HVY HEX NUT	SHOP PAINT SEE SPECS	DATE 12/98	ENGINEER WALTER P. MOORE
ALL A307 BOLTS w/HEX NUT		DRAWING TITLE BEAMS	

MID STATES STEEL PRODUCTS CO.  
 FABRICATORS OF STRUCTURAL AND MISCELLANEOUS STEEL

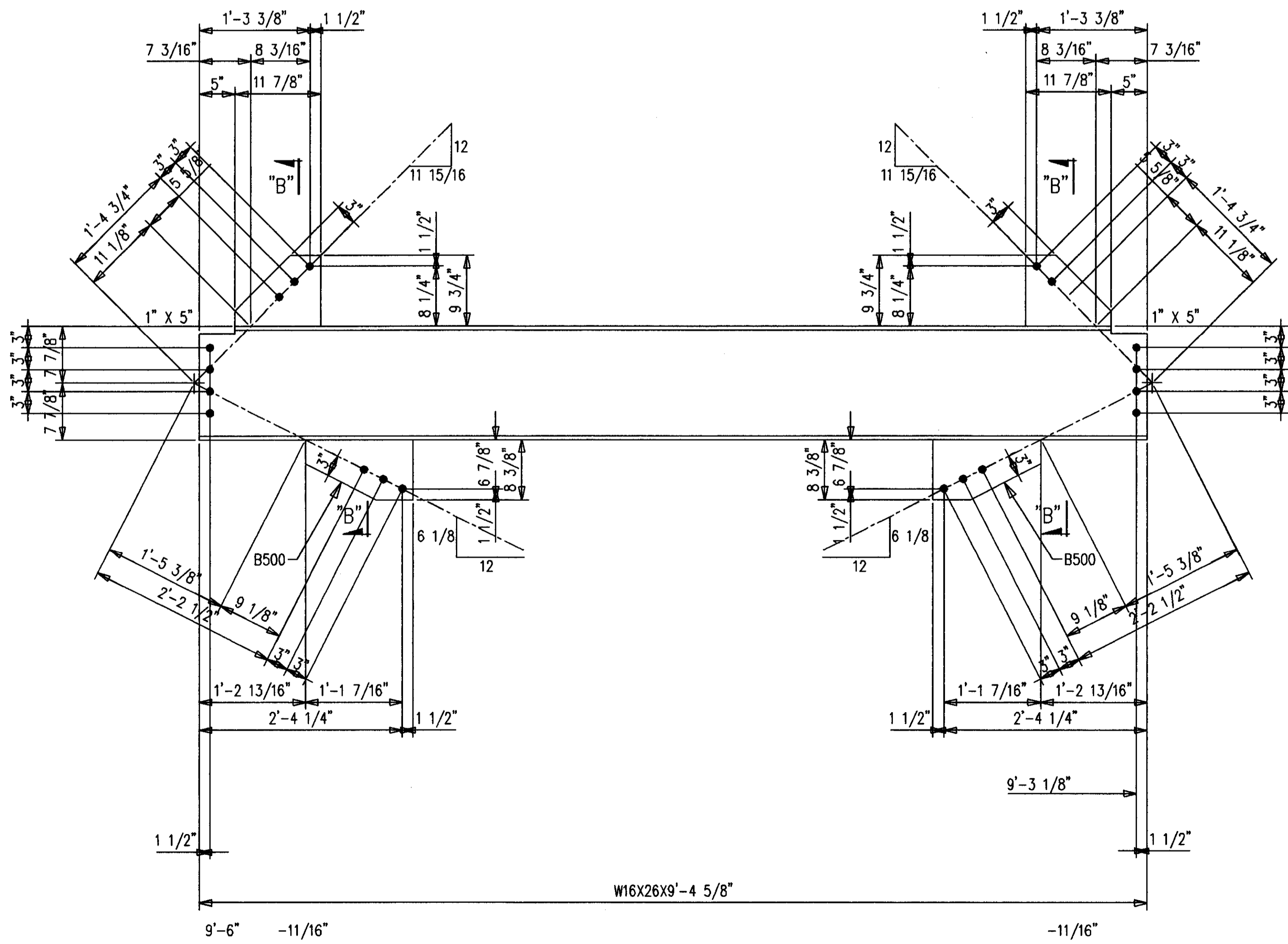
P.O. BOX 11128-2044 BUCK LANE  
 LEXINGTON, KENTUCKY 40511  
 PHONE: 606-233-4344 FAX: 606-233-4346

ORDER NO.  
**P3524**  
 SHEET NO.  
**515**

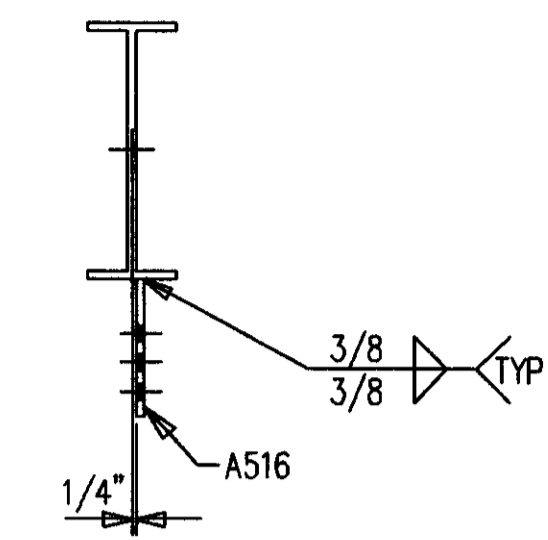
Document # 34845  
 Cab # Slot 206 C-2



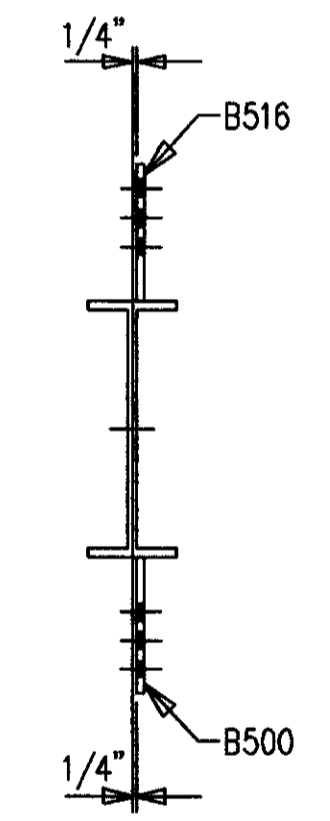
2-BEAMS 516B1  
12-A490 1 X 2 1/4 F1636H  
12-LOAD IND WASH 1 F16LIW



2-BEAMS 516B2  
16-A490 1 X 2 1/4 F1636H  
16-LOAD IND WASH 1 F16LIW



SECTION A



SECTION B

BILL OF MATERIAL

SHIP MARK SUB MARK	NO. PCS.	DESCRIPTION	LENGTH		CUT LIST	REMARKS
			FT.	IN.		
516B1	2	BEAMS				
516B1	2	W12X16 A572	9	1		P
A516	4	PL1X9-3/4	1	1-3/16		P
516B2	2	BEAMS				
516B2	2	W16X26 A572	9	4-5/8		P
B500	4	PL1X8-3/8	1	2-15/16		P
B516	4	PL1X9-3/4	0	11-7/8		P
		FIELD BOLTS				
F1636H	29	A490 1X2-1/4				
F16LIW	29	A LOAD IND 1				

SHOP NOTES:  
1. ALL STEEL PRIMER ONLY.

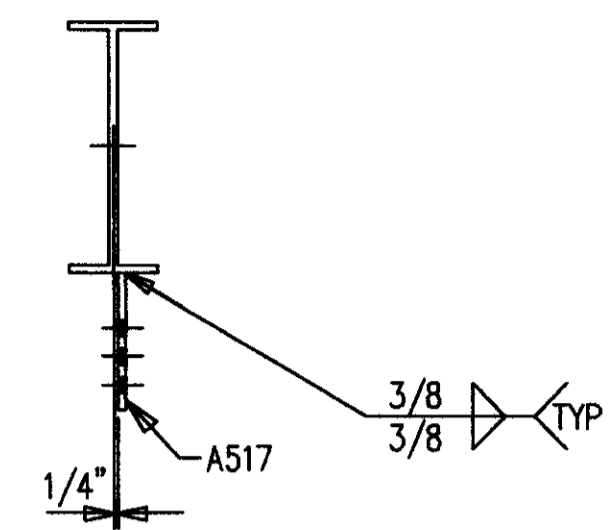
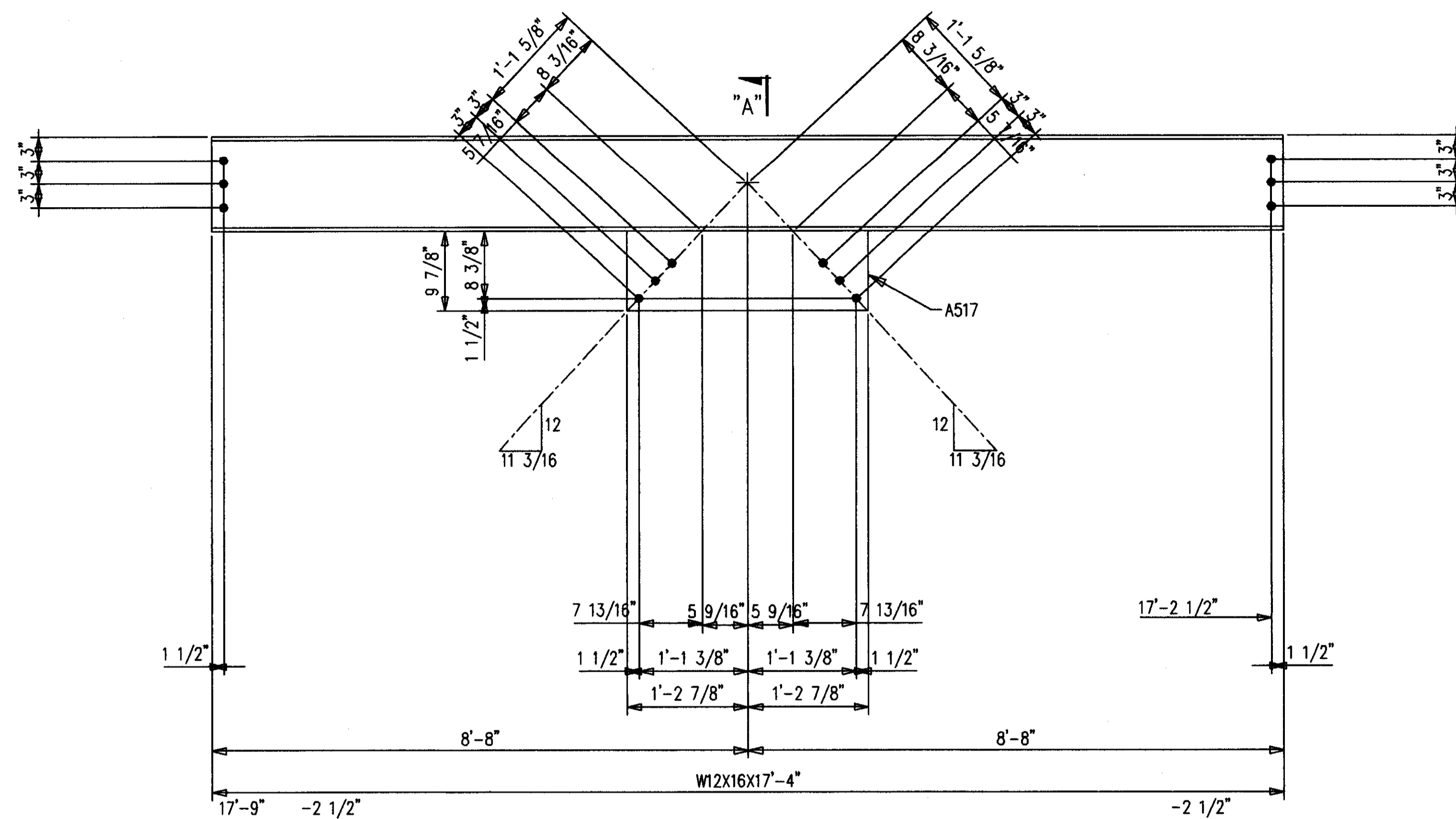
AS BUILT  
NAME: *Map Hughes*  
DATE: AUG 16 1999

NO.	DATE	REVISION DESCRIPTION	DRAW L. CDD
		CONTRACTOR TO CHECK ALL DIMENSIONS AT JOB AS MID STATES STEEL PRODUCTS CO. ASSUMES NO RESPONSIBILITY FOR GENERAL BUILDING DIMENSIONS. NO BACK CHARGES PERTAINING TO THIS WORK WILL BE ACCEPTED WITHOUT PRIOR AUTHORIZATION BY MID STATES STEEL PRODUCTS CO.	
MATERIAL U/N	A36	DRAWN BY	KMP
OPEN HOLES U/N	1-1/16φ	DATE	12/98
WELD ELECTRODE U/N	E70XX	CHECKED BY	GCL
SHOP PAINT	SEE SPECS	DATE	12/98
ALL A307 BOLTS w/HEX NUT		ENGINEER	WALTER P. MOORE
DATE	APP.	SHOP	FIELD

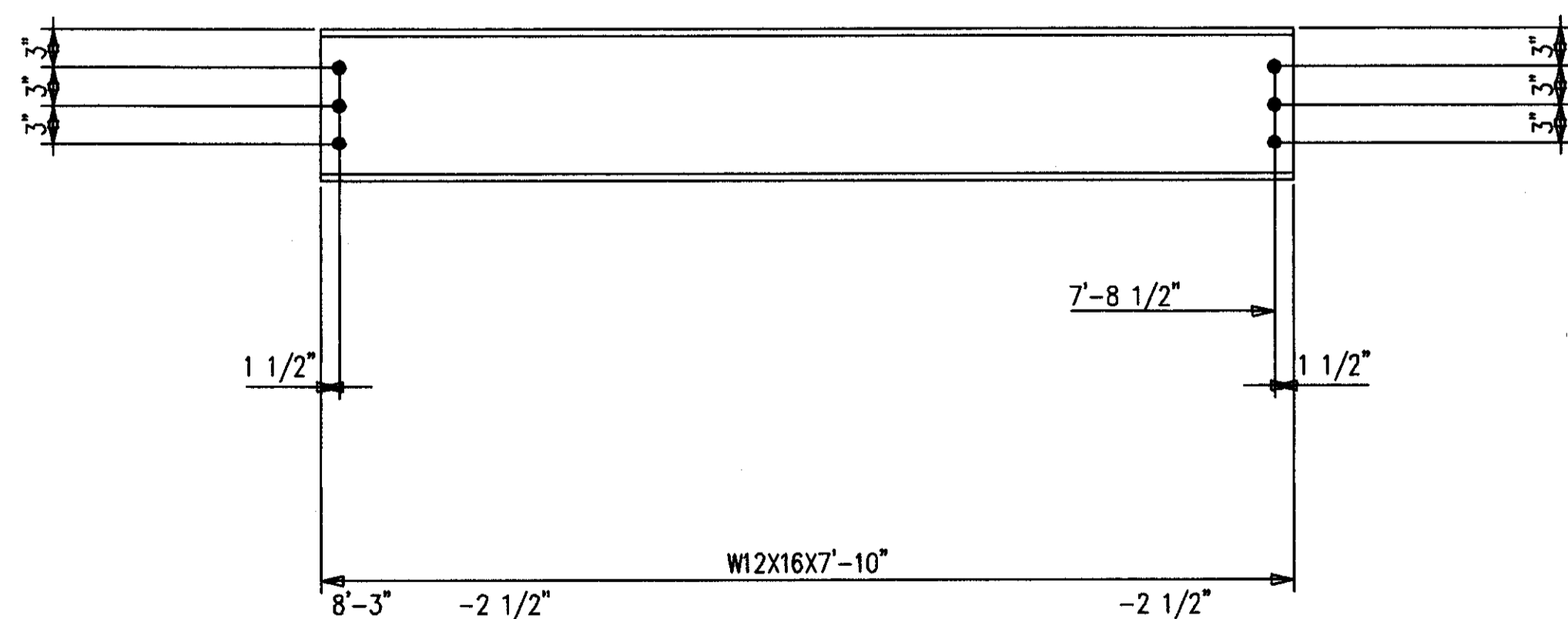
JOB NAME: COMMONWEALTH STADIUM EXPANSION  
JOB LOCATION: UNIVERSITY OF KENTUCKY  
CONTRACTOR: TURNER CONSTRUCTION COMPANY

MID STATES STEEL PRODUCTS CO.  
P.O. BOX 11128-2044 BUCK LANE  
LEXINGTON, KENTUCKY 40511  
PHONE: 606-233-4344 FAX: 606-233-4346

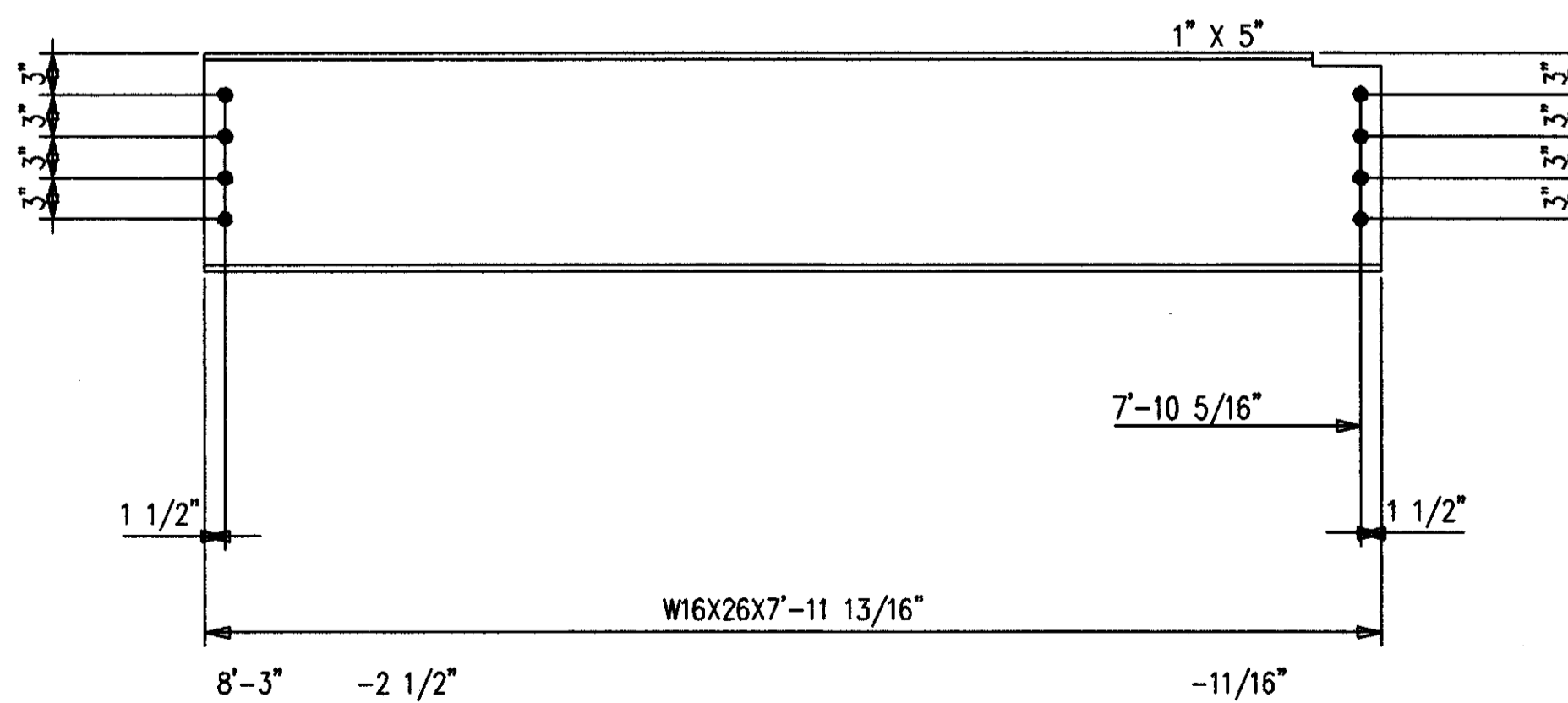
ORDER NO. P3524  
SHEET NO. 516  
FABRICATORS OF STRUCTURAL AND MISCELLANEOUS STEEL



**2-BEAMS 517B1**  
 12-A490 1 X 2 1/4 F1636H  
 12-LOAD IND WASH 1 F16LIW



**2-BEAMS 517B2**  
 12-A490 1 X 2 1/4 F1636H  
 12-LOAD IND WASH 1 F16LIW



**2-BEAMS 517B3**  
 16-A490 1 X 2 1/4 F1636H  
 16-LOAD IND WASH F16LIW

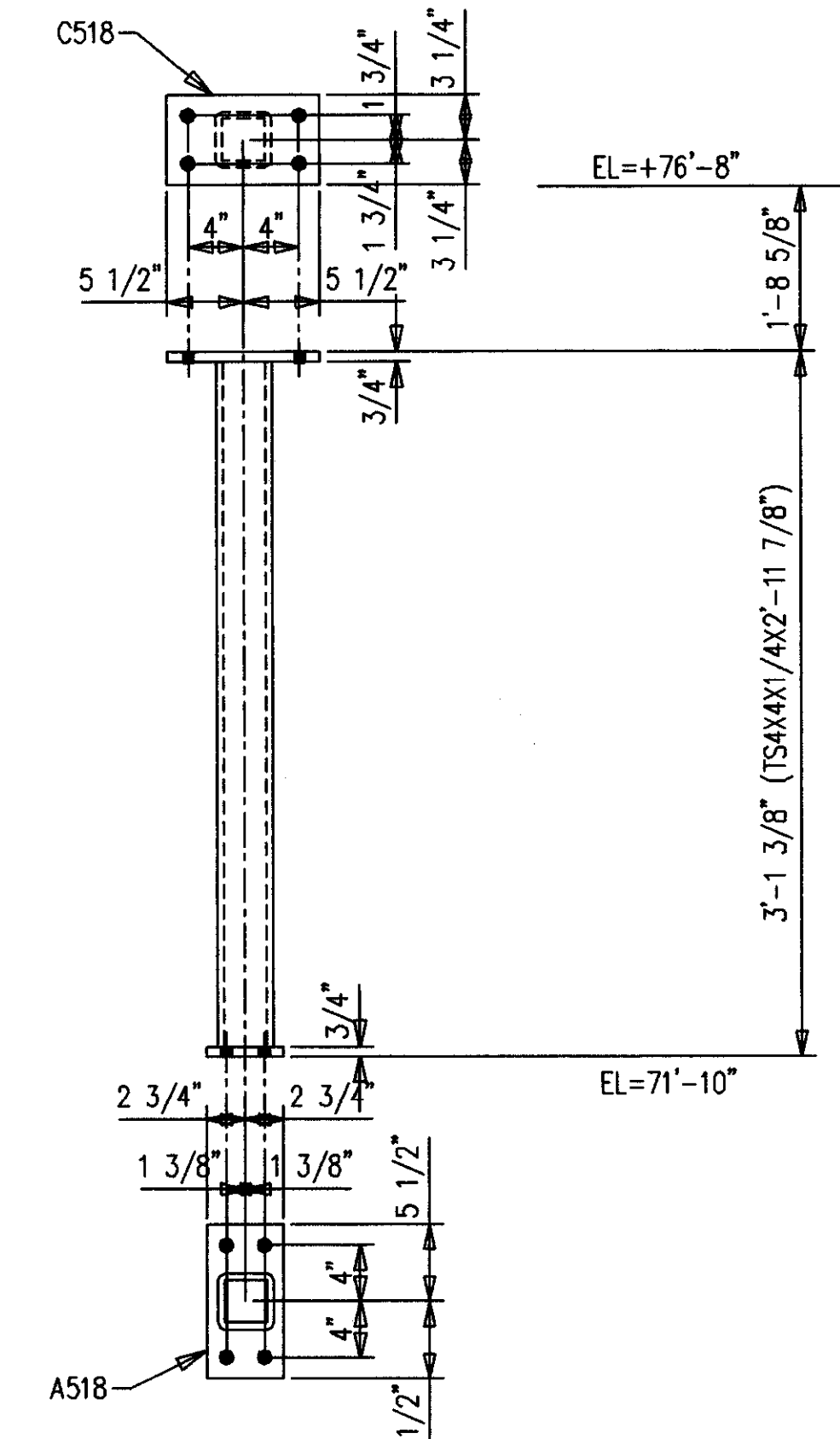
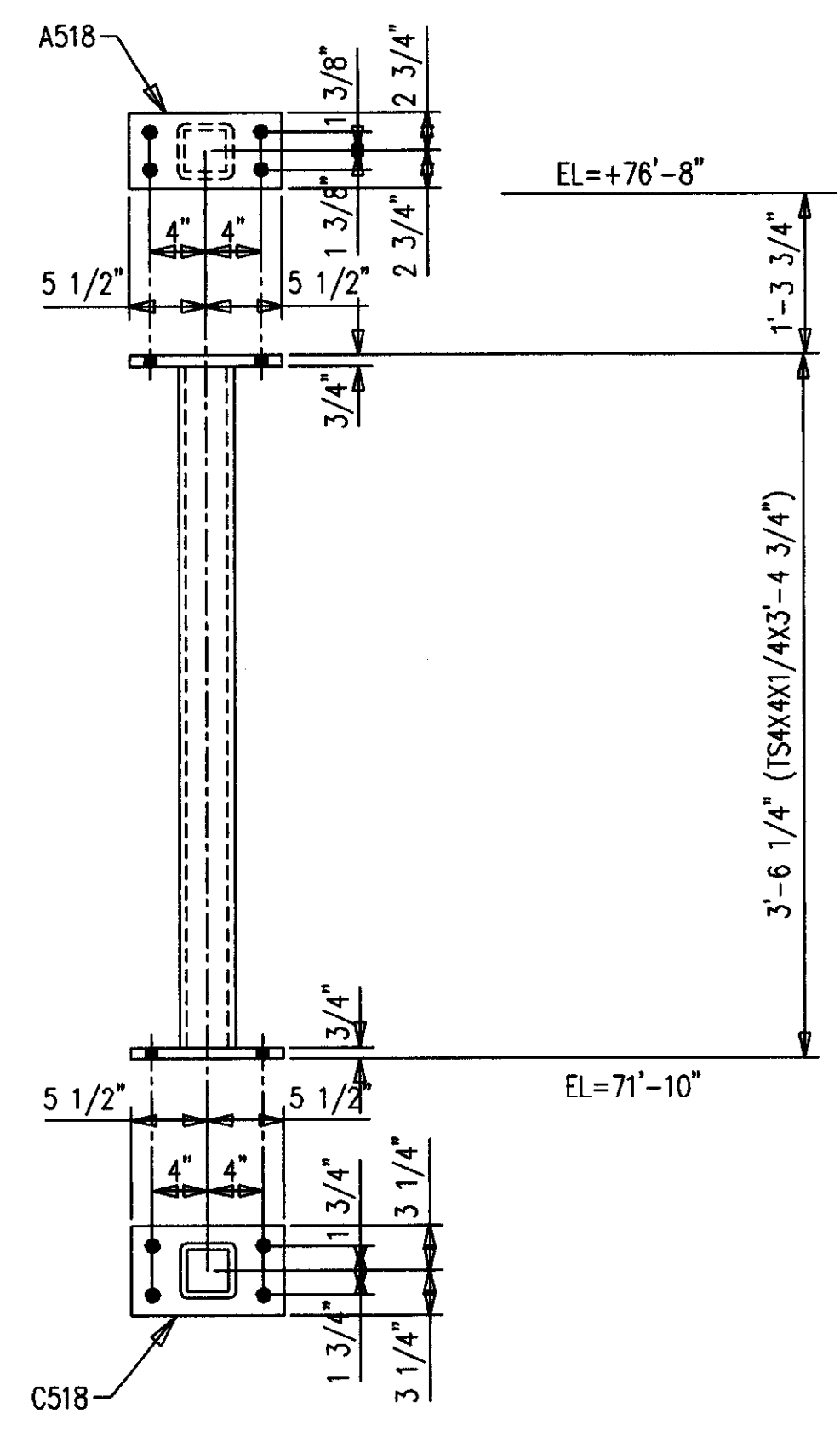
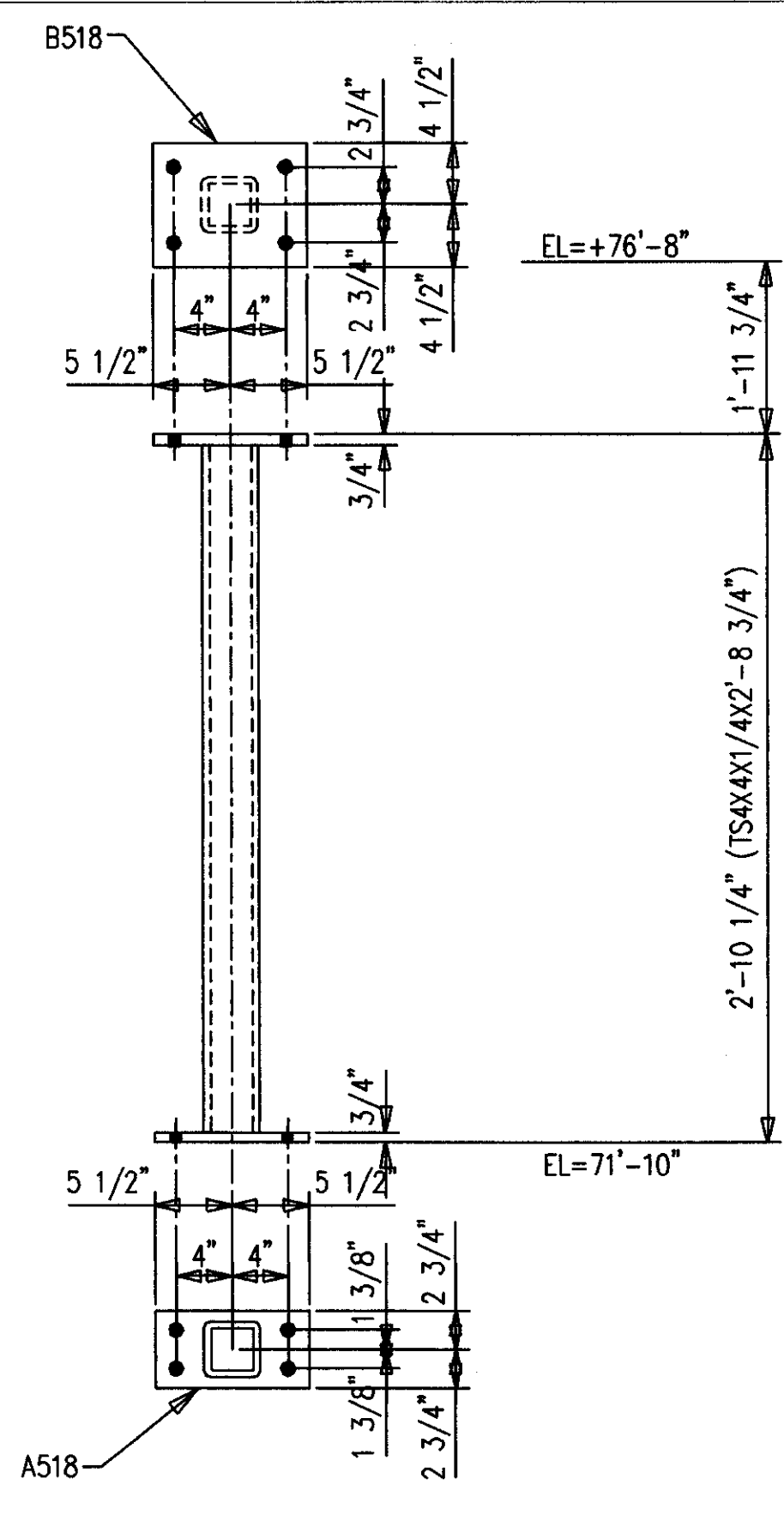
**BILL OF MATERIAL**

SHIP MARK SUB MARK	NO. PCS.	DESCRIPTION	LENGTH		CL U S T	REMARKS
			FT.	IN.		
517B1	2	BEAMS				
517B1	2	W12X16 A572	17	4		P
A517	2	PLIX9-7/8	2	5-3/4		P
517B2	2	BEAMS				
517B2	2	W12X16 A572	7	10		P
517B3	2	BEAMS				
517B3	2	W16X26 A572	7	11-13/16		P
		FIELD BOLTS				
F1636H	41	A490 1X2-1/4				
F16LIW	41	A LOAD IND 1				

SHOP NOTES:  
 1. ALL STEEL PRIMER ONLY.

**AS BUILT**  
 NAME: *Map Hughes*  
 DATE: **AUG 16 1999**

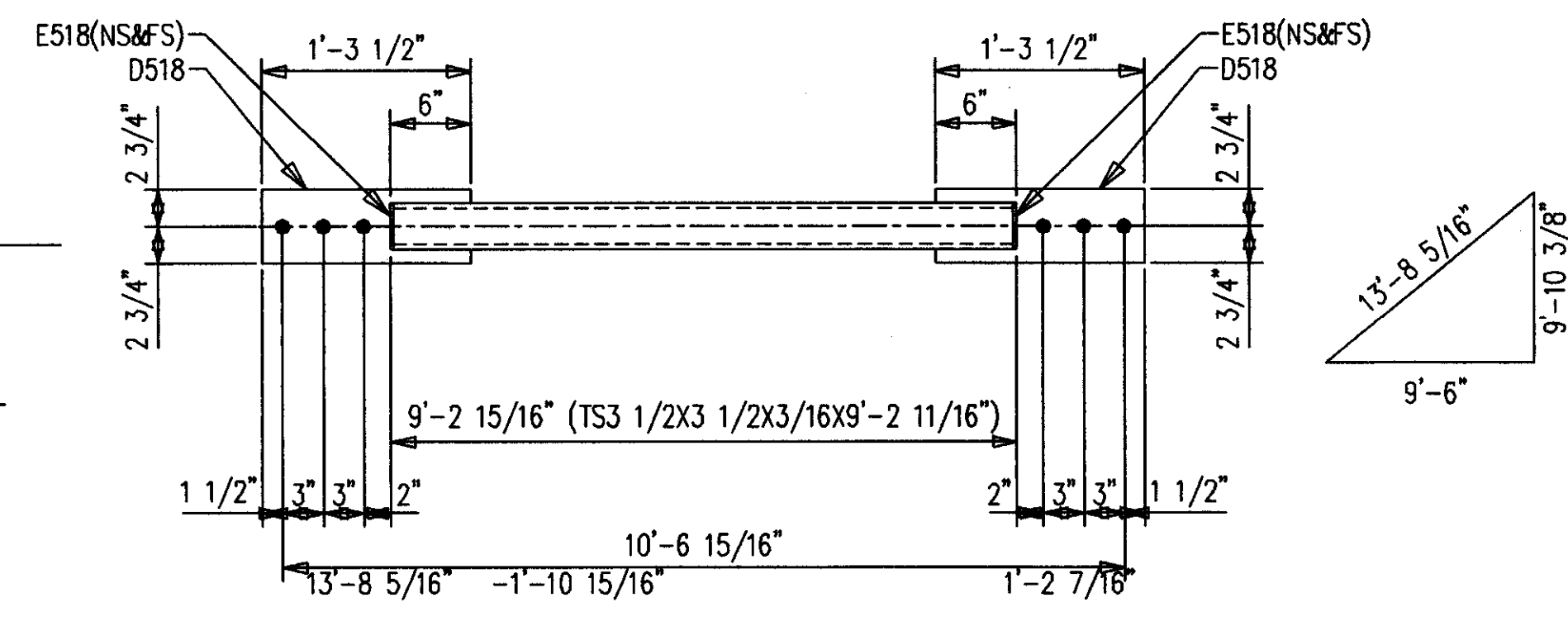
NO.	DATE	REVISION DESCRIPTION	BY	CHKD
		CONTRACTOR TO CHECK ALL DIMENSIONS AT JOB AS MID STATES STEEL PRODUCTS CO. ASSUMES NO RESPONSIBILITY FOR GENERAL BUILDING DIMENSIONS. NO BACK CHARGES PERTAINING TO THIS WORK WILL BE ACCEPTED WITHOUT PRIOR AUTHORIZATION BY MID STATES STEEL PRODUCTS CO.		
MATERIAL U/N A36	DRAWN BY KMP	JOB NAME COMMONWEALTH STADIUM EXPANSION		
OPEN HOLES U/N 1-1/16"	DATE 12/98	JOB LOCATION UNIVERSITY OF KENTUCKY		
WELD ELECTRODE U/N E70XX	CHECKED BY GCL	CONTRACTOR TURNER CONSTRUCTION COMPANY		
SHOP PAINT SEE SPECS	DATE 12/98	ENGINEER WALTER P. MOORE		
ALL RE-ENTRANT CUTS MIN. 1/2" RAD. U/N				
ALL A325 BOLTS W/ONE HARD WASH. AND HVY HEX NUT				
ALL A307 BOLTS W/HEX NUT				
DRAWING TITLE BEAMS				
DATE	APP	SHOP	FIELD	
MID STATES STEEL PRODUCTS CO.		P.O. BOX 11128-2044 BUCK LANE LEXINGTON, KENTUCKY 40511 PHONE: 606-233-4344 FAX: 606-233-4346		ORDER NO. P3524
FABRICATORS OF STRUCTURAL AND MISCELLANEOUS STEEL				SHEET NO. 517



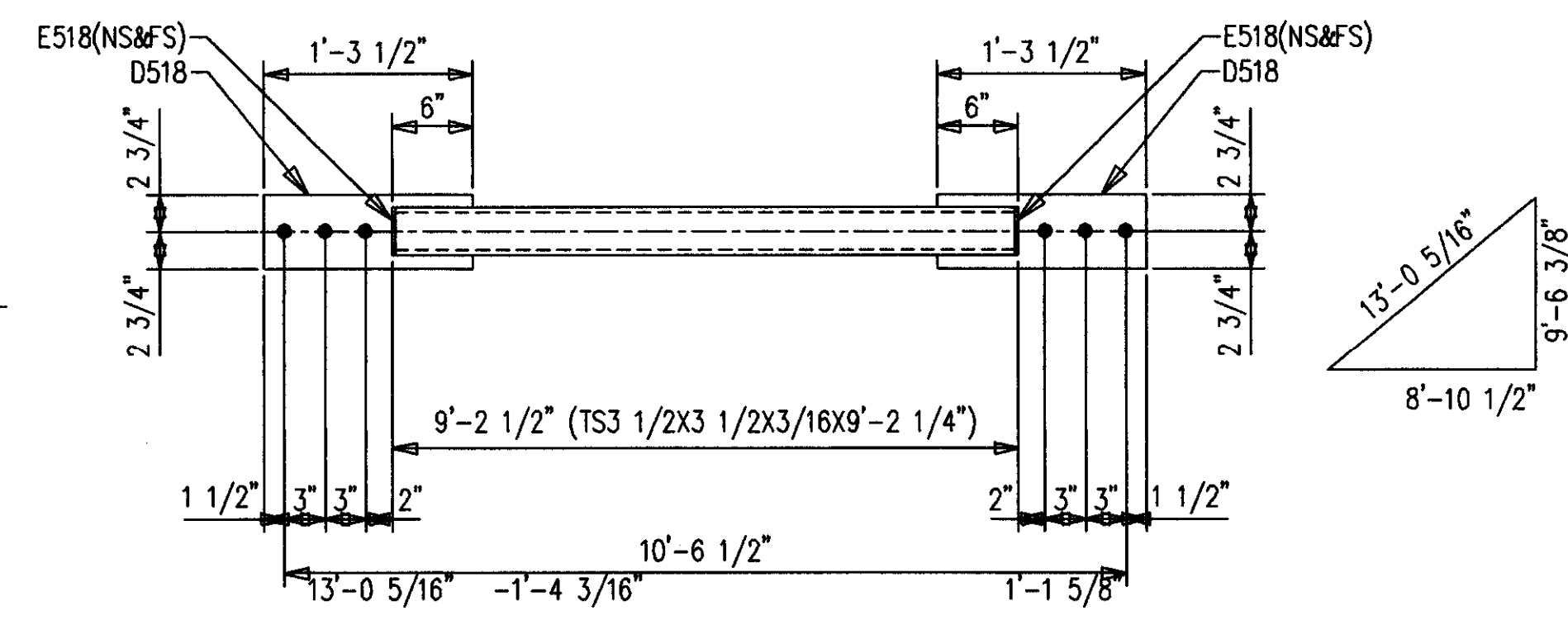
**4-COLUMNS 518C1**  
 16-A490 1 X 3 F1644H  
 16-A490 1 X 3 F1648H  
 32-LOAD IND WASH 1 F16LW

**4-COLUMNS 518C2**  
 32-A490 1 X 3 F1644H  
 32-LOAD IND WASH 1 F16LW

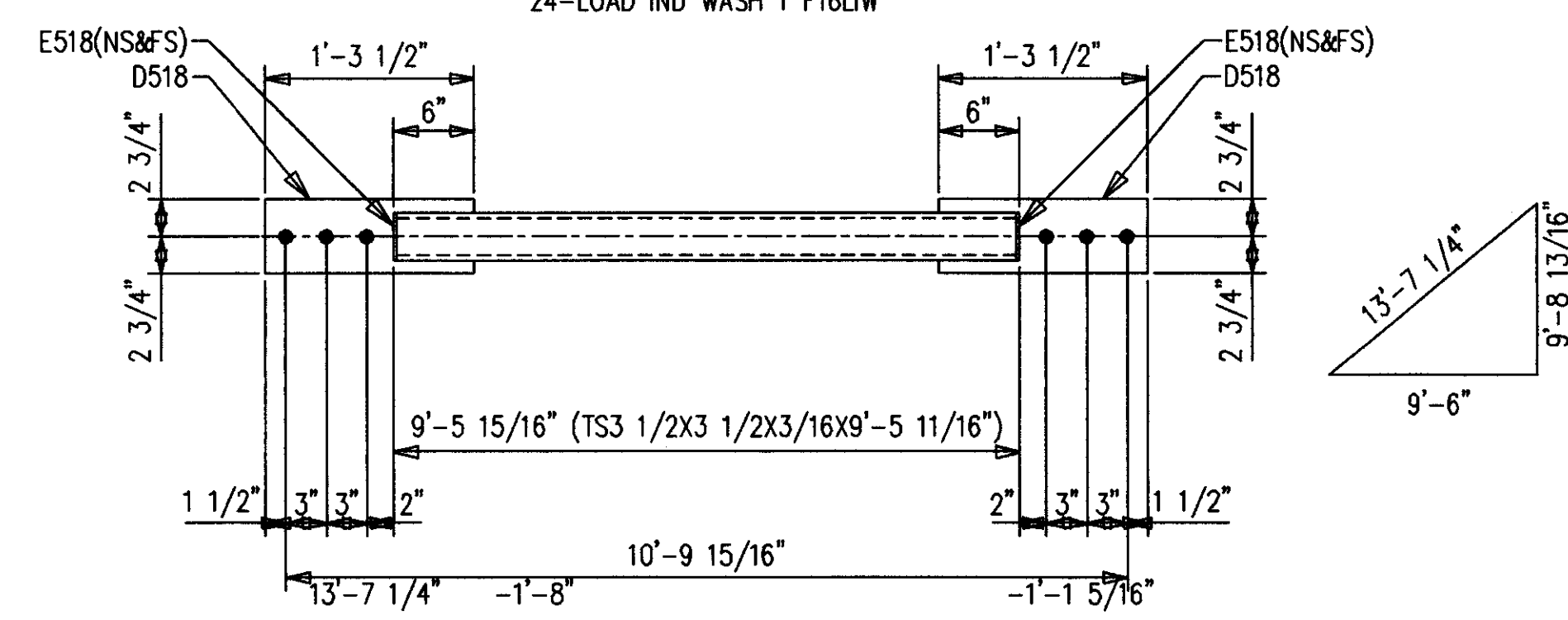
**4-COLUMNS 518C3**  
 32-A490 1 X 3 F1644H  
 32-LOAD IND WASH 1 F16LW



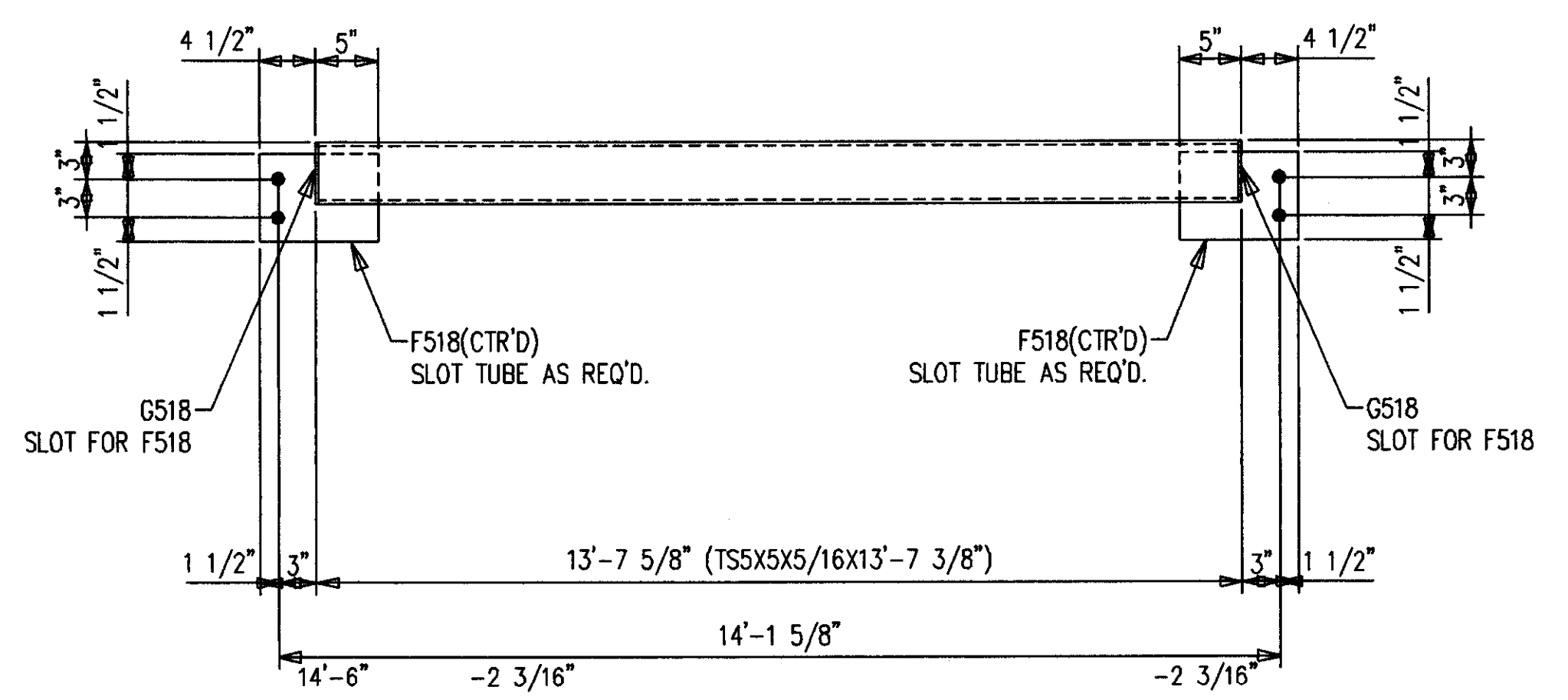
**4-DIAGONALS 518D1**  
 24-A490 1 X 3 F1648H  
 24-LOAD IND WASH 1 F16LW



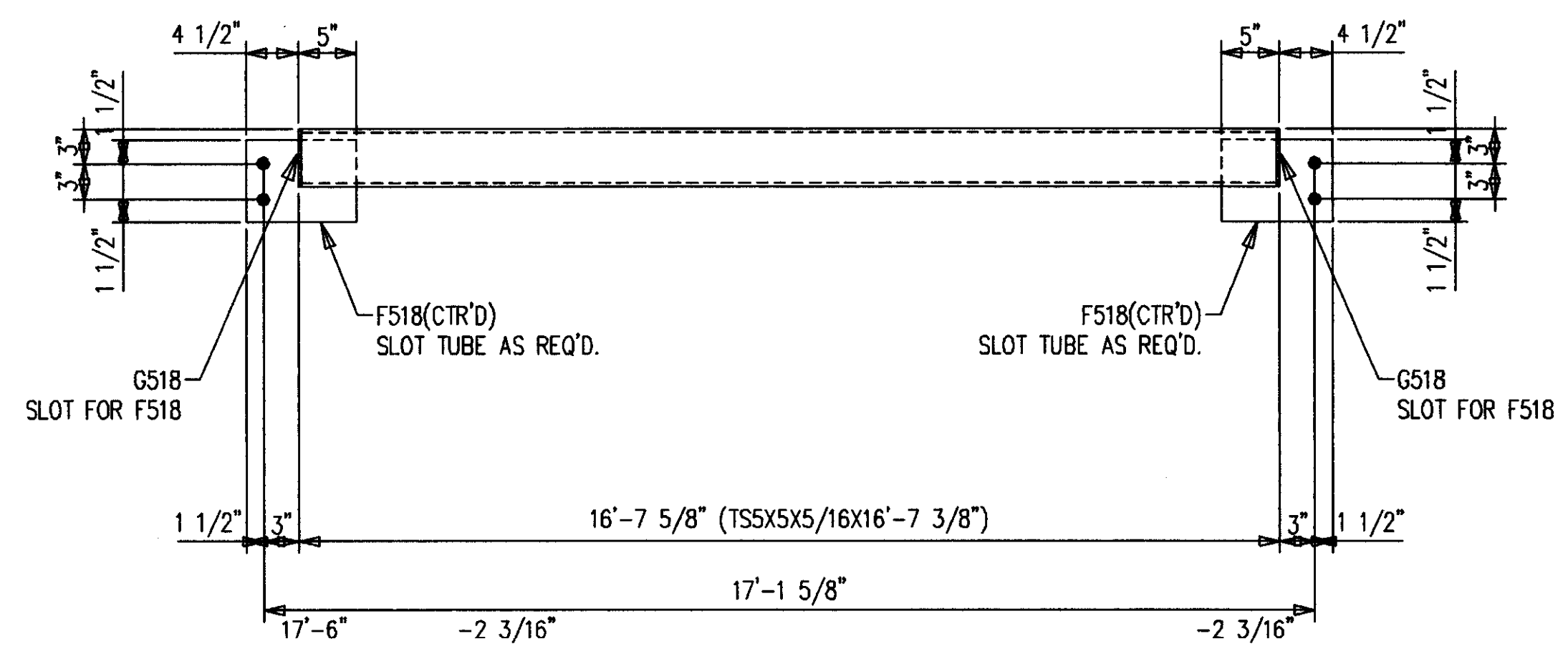
**4-DIAGONALS 518D2**  
 24-A490 1 X 3 F1648H  
 24-LOAD IND WASH 1 F16LW



**4-DIAGONALS 518D3**  
 24-A490 1 X 3 F1648H  
 24-LOAD IND WASH 1 F16LW



**2-TUBES 518M1**  
 8-A490 1 X 3 F1648H  
 8-LOAD IND WASH 1 F16LW



**2-TUBES 518M2**  
 8-A490 1 X 3 F1648H  
 8-LOAD IND WASH 1 F16LW

**BILL OF MATERIAL**

SHIP MARK SUB MARK	NO. PCS.	DESCRIPTION	LENGTH		CL UST	REMARKS
			FT.	IN.		
518C1	4	COLUMNS				
518C1	4	TS4X4X1/4	2	8-3/4		SC2E
A518	4	PL3/4X5-1/2	0	11		P
B518	4	PL3/4X9	0	11		P
518C2	4	COLUMNS				
518C2	4	TS4X4X1/4	3	4-3/4		SC2E
A518	4	PL3/4X5-1/2	0	11		P
C518	4	PL3/4X6-1/2	0	11		P
518C3	4	COLUMNS				
518C3	4	TS4X4X1/4	2	11-7/8		SC2E
A518	4	PL3/4X5-1/2	0	11		P
C518	4	PL3/4X6-1/2	0	11		P
518D1	4	DIAGONALS				
518D1	4	TS3-1/2X3-1/2X3/16	9	2-11/16		
D518	8	FB1/2X5-1/2	1	3-1/2		P
E518	16	PL1/8X1-5/8	0	3-3/4		
518D2	4	DIAGONALS				
518D2	4	TS3-1/2X3-1/2X3/16	9	2-1/4		
D518	8	FB1/2X5-1/2	1	3-1/2		P
E518	16	PL1/8X1-5/8	0	3-3/4		
518D3	4	DIAGONALS				
518D3	4	TS3-1/2X3-1/2X3/16	9	5-11/16		
D518	8	FB1/2X5-1/2	1	3-1/2		P
E518	16	PL1/8X1-5/8	0	3-3/4		
518M1	2	TUBES				
518M1	2	TS5X5X5/16	13	7-3/8		
F518	4	FB1/2X6	0	9-1/2		P
G518	4	PL1/8X5	0	5		
518M2	2	TUBES				
518M2	2	TS5X5X5/16	16	7-3/8		
F518	4	FB1/2X6	0	9-1/2		P
G518	4	PL1/8X5	0	5		
		FIELD BOLTS				
F1644H	81	A490 1X2-3/4				
F1648H	106	A490 1X3				
F16LW	186	A LOAD IND 1				

SHOP NOTES:  
 1. ALL STEEL PRIMER ONLY.

**AS BUILT**  
 NAME: *Map Key*  
 DATE: **AUG 16 1999**

ALL RE-ENTRANT CUTS MIN. 1/2" RAD. U/N	WELD ELECTRODE E70XX	CHECKED BY GCL	DATE 12/98
ALL A325 BOLTS w/ONE HARD WASH. AND HVY HEX NUT	SHOP PAINT SEE SPECS	ENGINEER WALTER P. MOORE	
ALL A307 BOLTS w/HEX NUT	DRAWING TITLE COLUMNS & DIAGONALS		

CONTRACTOR TO CHECK ALL DIMENSIONS AT JOB AS MID STATES STEEL PRODUCTS CO. ASSUMES NO RESPONSIBILITY FOR GENERAL BUILDING DIMENSIONS. NO BACK CHARGES PERTAINING TO THIS WORK WILL BE ACCEPTED WITHOUT PRIOR AUTHORIZATION BY MID STATES STEEL PRODUCTS CO.

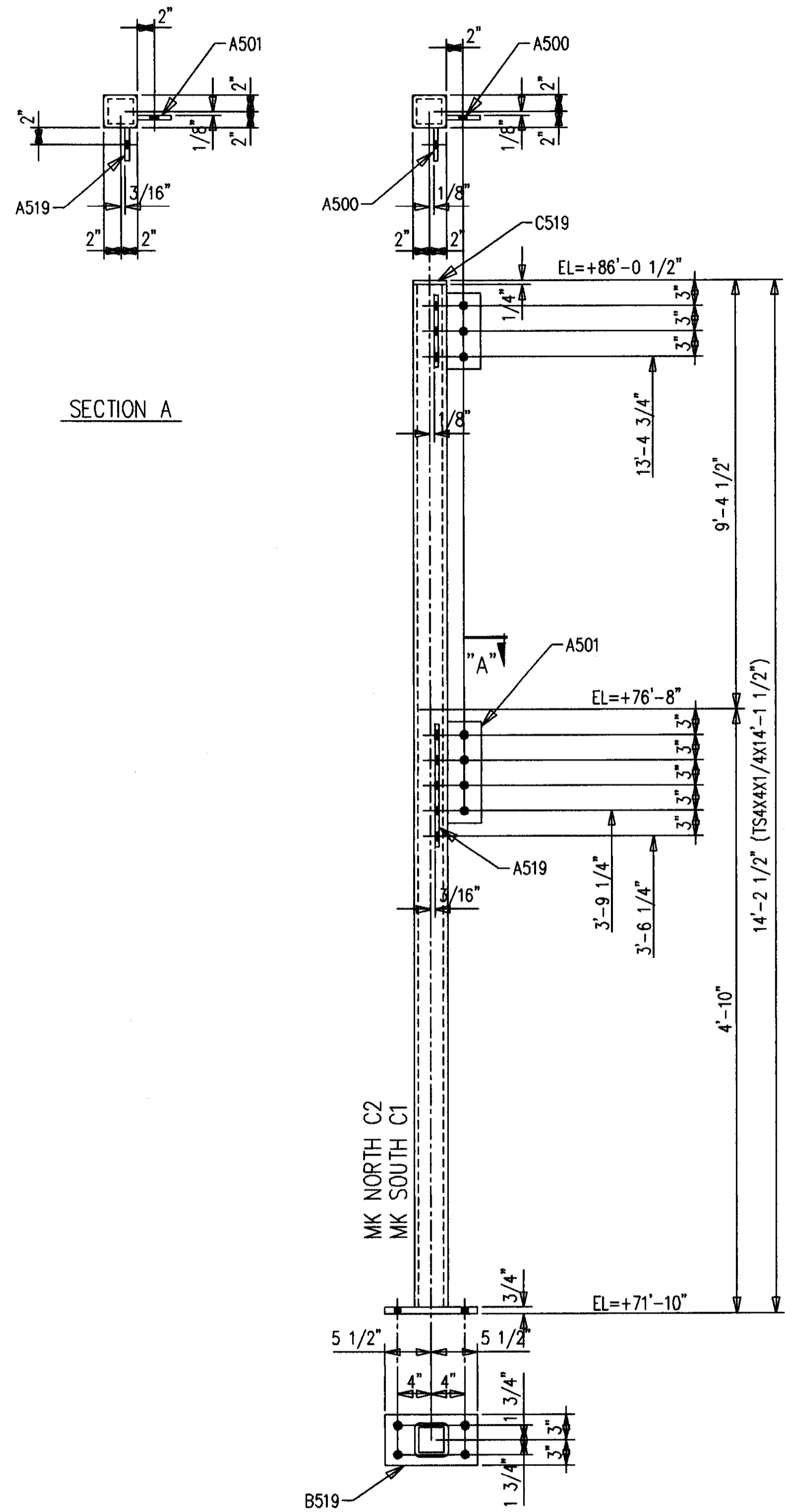
MATERIAL U/N A36  
 OPEN HOLES U/N 1-1/16"  
 DRAWN BY **KMP**  
 DATE 12/98  
 JOB NAME COMMONWEALTH STADIUM EXPANSION  
 JOB LOCATION UNIVERSITY OF KENTUCKY  
 CONTRACTOR TURNER CONSTRUCTION COMPANY  
 ENGINEER WALTER P. MOORE

P.O. BOX 11128-2044 BUCK LANE  
 LEXINGTON, KENTUCKY 40511  
 PHONE: 606-233-4344 FAX: 606-233-4346

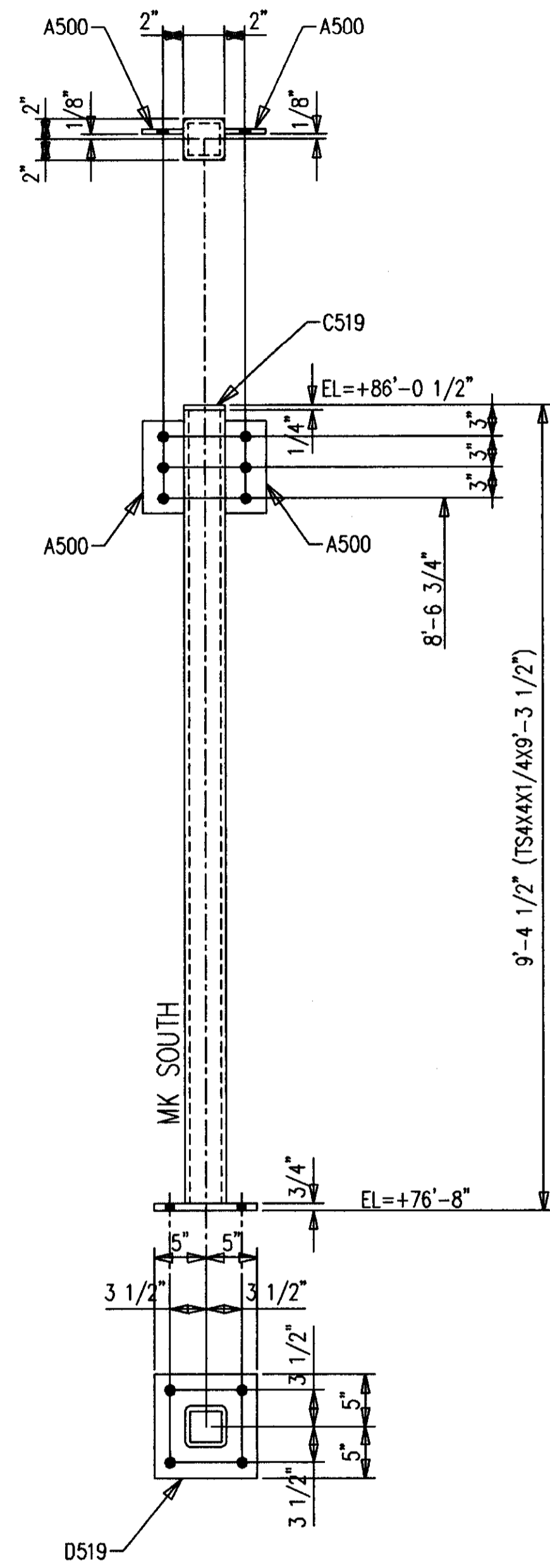
ORDER NO. **P3524**  
 SHEET NO. **518**

BILL OF MATERIAL

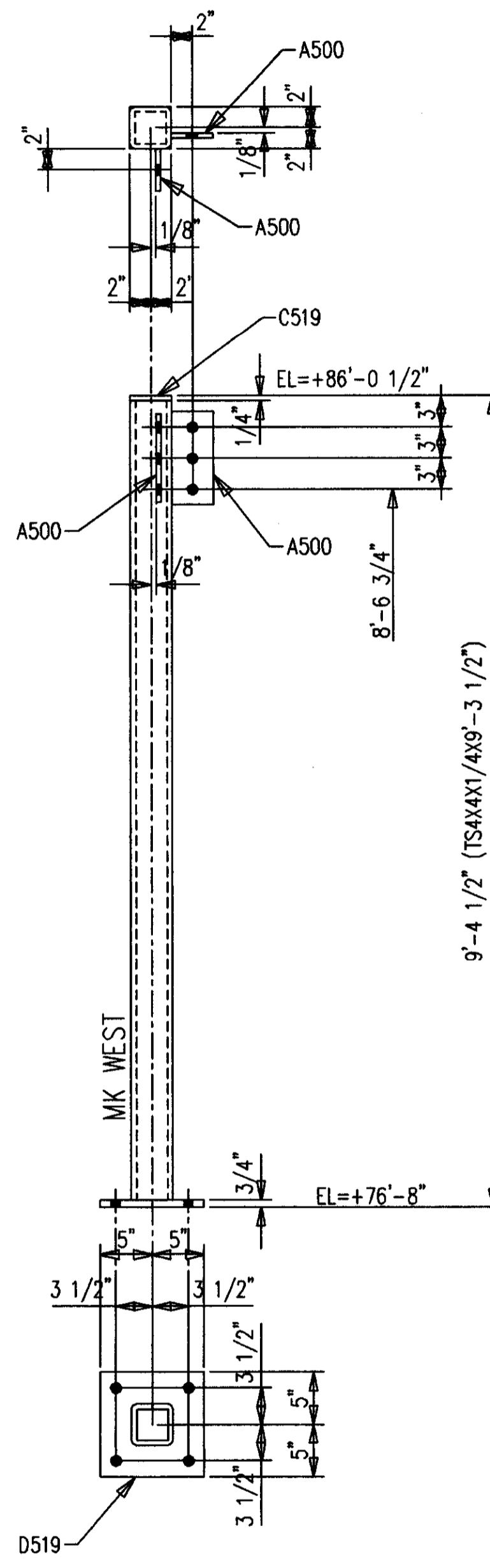
SHIP MARK SUB MARK	NO. PCS.	DESCRIPTION	LENGTH		REMARKS
			FT.	IN.	
519C1 L	ONE	COLUMN			
519C1	1	TS4X4X1/4	14	1-1/2	SC1E
A500	2	FB1/2X4	0	9	P
A501	1	FB1/2X4	1	0	P
A519	1	FB1/2X4	1	3	P
B519	1	FB3/4X6	0	11	
C519	1	FB1/4X4	0	4	
519C1 R	ONE	COLUMN			
519C1	1	TS4X4X1/4	14	1-1/2	SC1E
A500	2	FB1/2X4	0	9	P
A501	1	FB1/2X4	1	0	P
A519	1	FB1/2X4	1	3	P
B519	1	FB3/4X6	0	11	
C519	1	FB1/4X4	0	4	
519C2 L	ONE	COLUMN			
519C2	1	TS4X4X1/4	14	1-1/2	SC1E
A500	2	FB1/2X4	0	9	P
A501	1	FB1/2X4	1	0	P
A519	1	FB1/2X4	1	3	P
B519	1	FB3/4X6	0	11	
C519	1	FB1/4X4	0	4	
519C2 R	ONE	COLUMN			
519C2	1	TS4X4X1/4	14	1-1/2	SC1E
A500	2	FB1/2X4	0	9	P
A501	1	FB1/2X4	1	0	P
A519	1	FB1/2X4	1	3	P
B519	1	FB3/4X6	0	11	
C519	1	FB1/4X4	0	4	
519C3	2	COLUMNS			
519C3	2	TS4X4X1/4	9	3-1/2	SC1E
A500	4	FB1/2X4	0	9	P
C519	2	FB1/4X4	0	4	
D519	2	FB3/4X10	0	10	P
519C4 L	ONE	COLUMN			
519C4	1	TS4X4X1/4	9	3-1/2	SC1E
A500	2	FB1/2X4	0	9	P
C519	1	FB1/4X4	0	4	
D519	1	FB3/4X10	0	10	P
E519	1	FB1/2X4	0	6	P
519C4 R	ONE	COLUMN			
519C4	1	TS4X4X1/4	9	3-1/2	SC1E
A500	2	FB1/2X4	0	9	P
C519	1	FB1/4X4	0	4	
D519	1	FB3/4X10	0	10	P
E519	1	FB1/2X4	0	6	P
519C5 L	ONE	COLUMN			
519C5	1	TS4X4X1/4	9	3-1/2	SC1E
A500	2	FB1/2X4	0	9	P
C519	1	FB1/4X4	0	4	
D519	1	FB3/4X10	0	10	P
E519	1	FB1/2X4	0	6	P
519C5 R	ONE	COLUMN			
519C5	1	TS4X4X1/4	9	3-1/2	SC1E
A500	2	FB1/2X4	0	9	P
C519	1	FB1/4X4	0	4	
D519	1	FB3/4X10	0	10	P
E519	1	FB1/2X4	0	6	P
		FIELD BOLTS			
F1644H	17	A490 1X2-3/4			
F1656H	25	A490 1X3-1/2			
F16L1W	41	A LOAD IND 1			



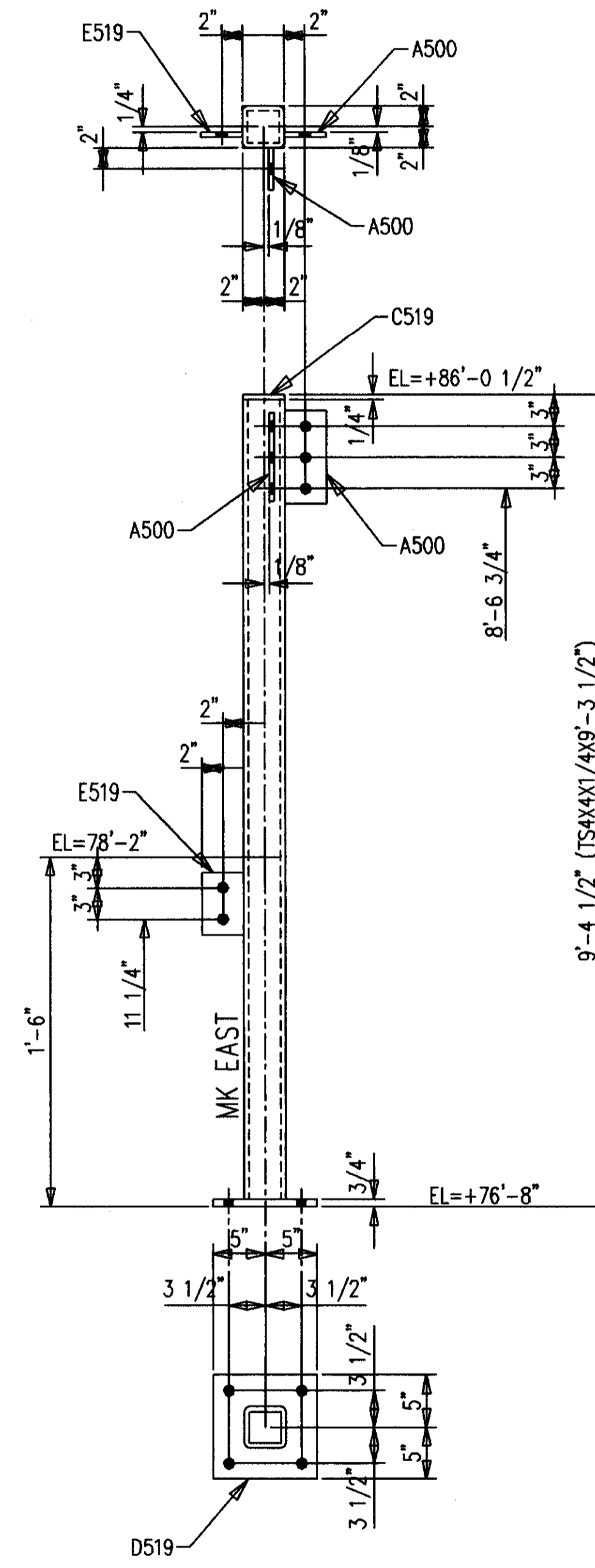
ONE-COLUMN 519C1 R [AS SHOWN]  
 ONE-COLUMN 519C1 L [OPP HAND]  
 ONE-COLUMN 519C2 R [AS SHOWN]  
 ONE-COLUMN 519C2 L [OPP HAND]  
 16-A490 1 X 2 3/4 F1644H  
 16-LOAD IND WASH 1 F16L1W



2-COLUMNS 519C3  
 8-A490 1 X 3 1/2 F1656H  
 8-LOAD IND WASH 1 F16L1W



ONE-COLUMN 519C4 R [AS SHOWN]  
 ONE-COLUMN 519C4 L [OPP HAND]  
 8-A490 1 X 3 1/2 F1656H  
 8-LOAD IND WASH 1 F16L1W

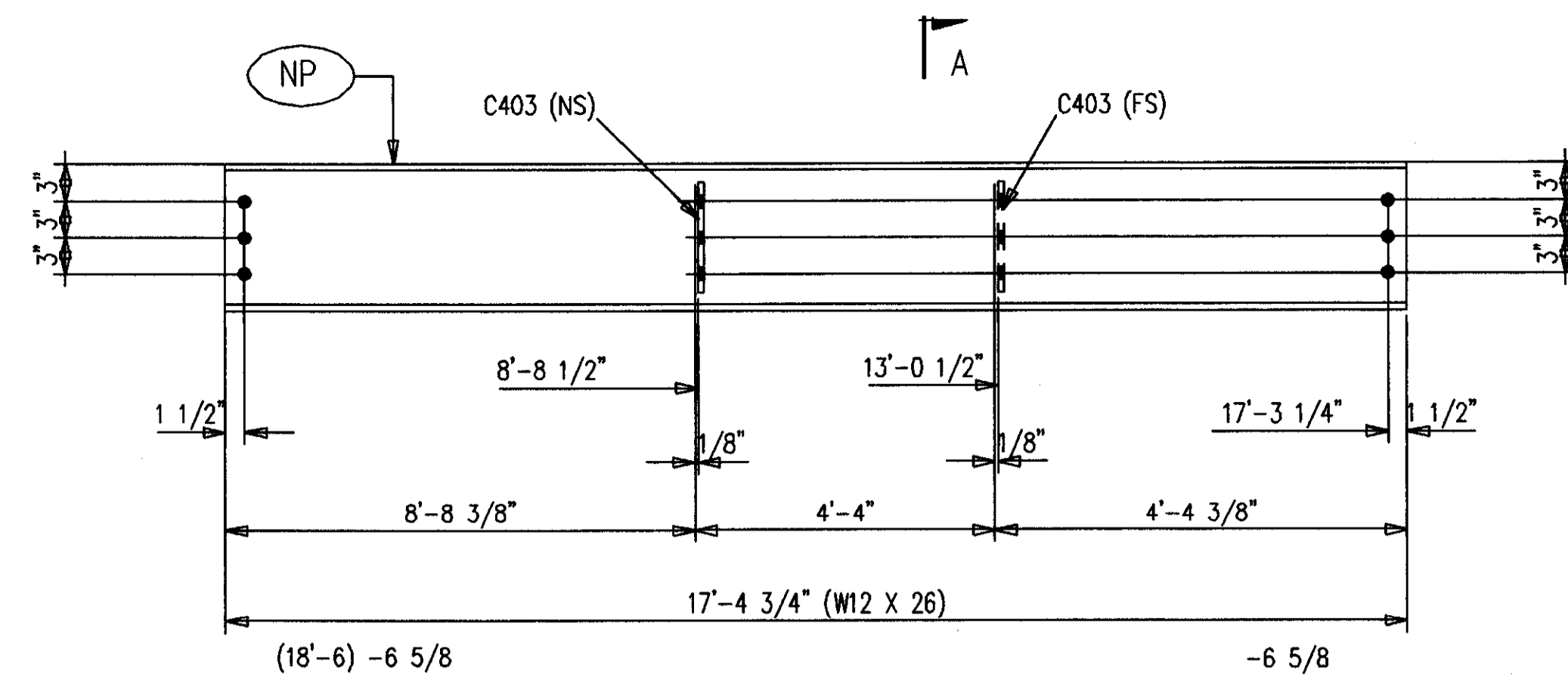


ONE-COLUMN 519C5 R [AS SHOWN]  
 ONE-COLUMN 519C5 L [OPP HAND]  
 8-A490 1 X 3 1/2 F1656H  
 8-LOAD IND WASH 1 F16L1W

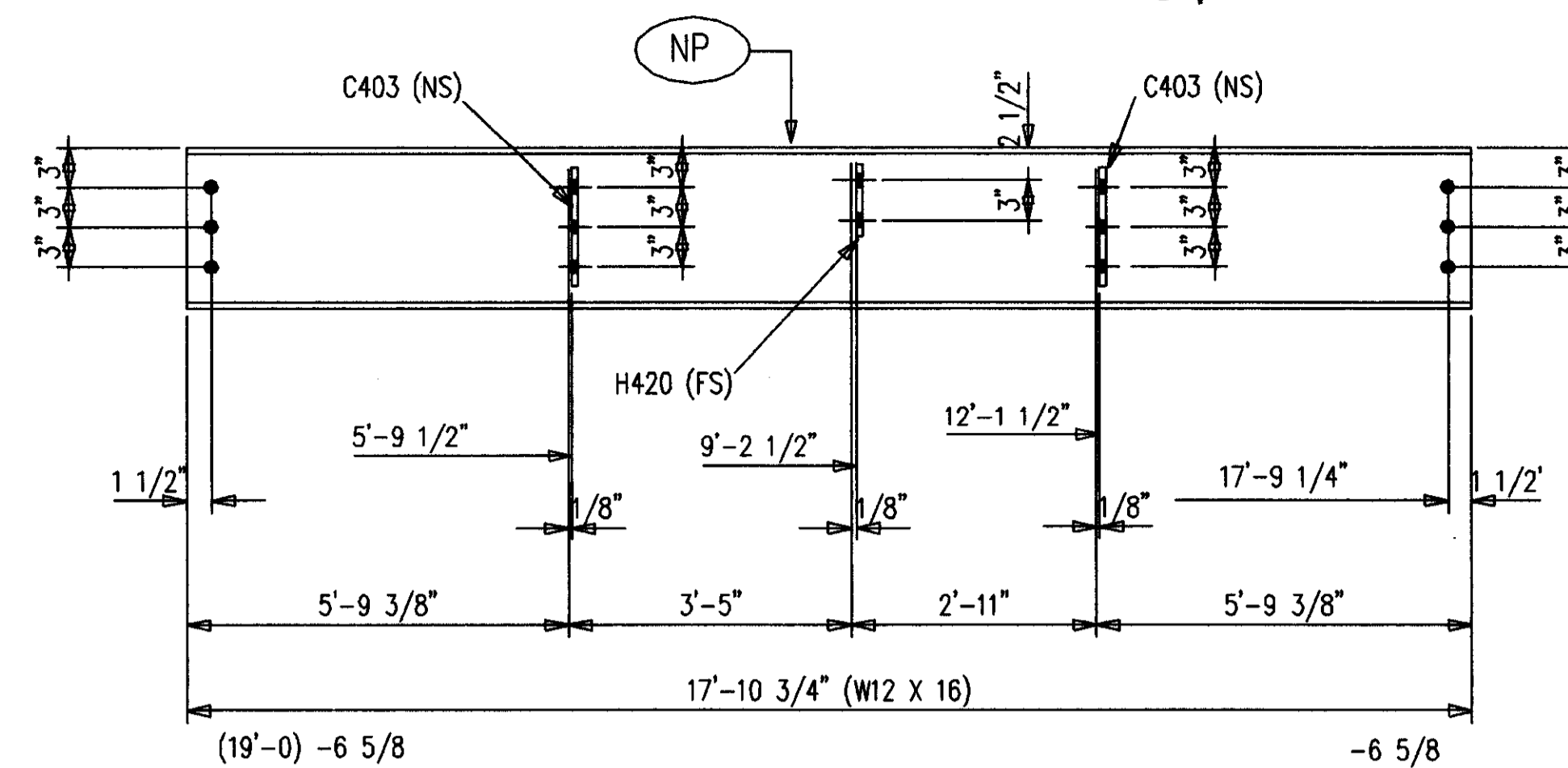
SHOP NOTES:  
 1. ALL STEEL PRIMER ONLY.

**AS BUILT**  
 NAME: *Map Hughes*  
 DATE: **AUG 16 1999**

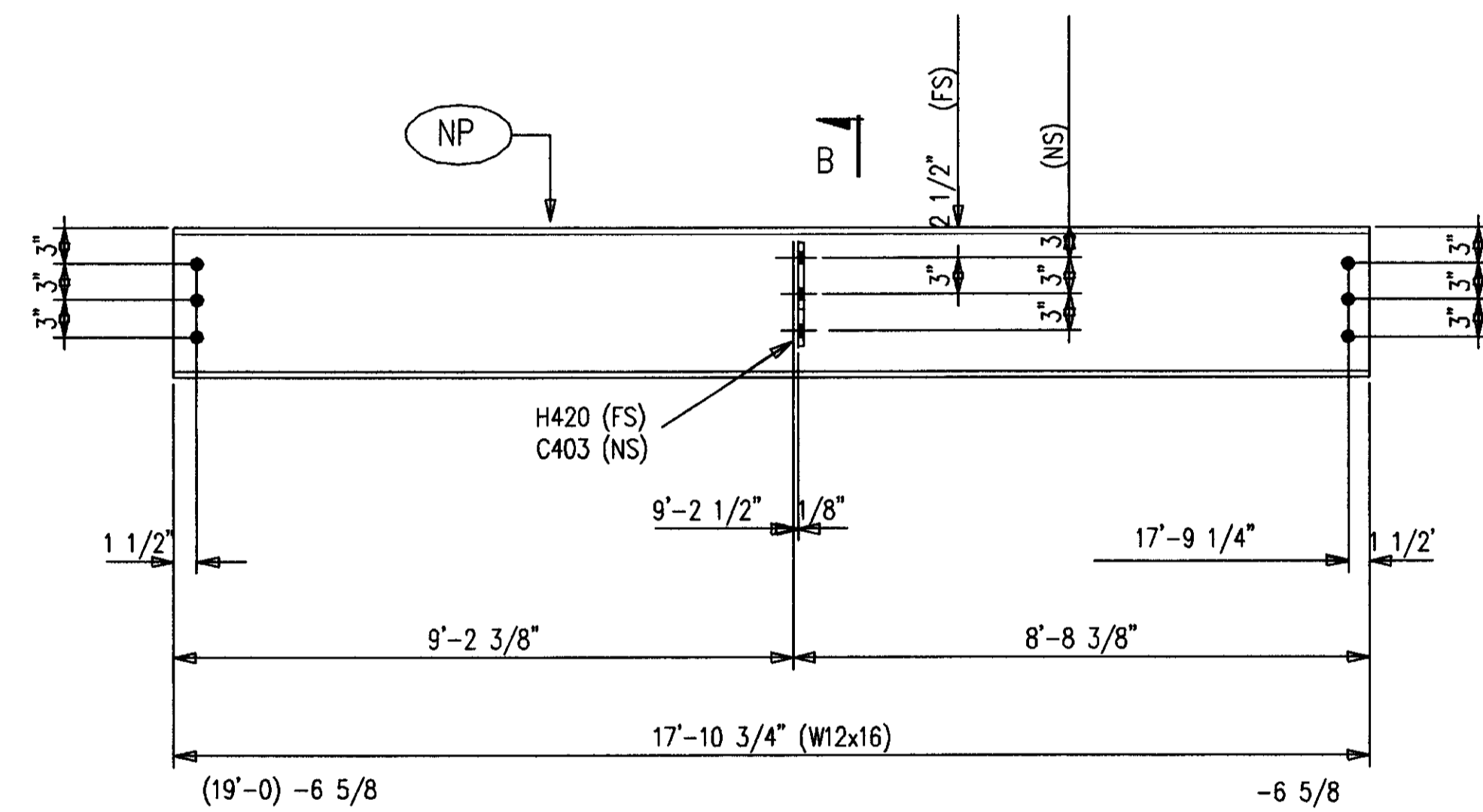
NO.	DATE	REVISION DESCRIPTION	DWN I CND
CONTRACTOR TO CHECK ALL DIMENSIONS AT JOB AS MID STATES STEEL PRODUCTS CO. ASSUMES NO RESPONSIBILITY FOR GENERAL BUILDING DIMENSIONS. NO BACK CHARGES PERTAINING TO THIS WORK WILL BE ACCEPTED WITHOUT PRIOR AUTHORIZATION BY MID STATES STEEL PRODUCTS CO.			
MATERIAL U/N	A36	DRAWN BY <b>KMP</b>	JOB NAME <b>COMMONWEALTH STADIUM EXPANSION</b>
OPEN HOLES U/N	1-1/16φ	DATE <b>12/98</b>	JOB LOCATION <b>UNIVERSITY OF KENTUCKY</b>
WELD ELECTRODE U/N <b>E70XX</b>		CHECKED BY <b>GCL</b>	CONTRACTOR <b>TURNER CONSTRUCTION COMPANY</b>
SHOP PAINT U/N <b>SEE SPECS</b>		DATE <b>12/98</b>	ENGINEER <b>WALTER P. MOORE</b>
DRAWING TITLE <b>COLUMNS</b>			
DATE	APP	SHOP	FIELD
P.O. BOX 11128-2044 BUCK LANE LEXINGTON, KENTUCKY 40511 PHONE: 606-233-4344 FAX: 606-233-4346			ORDER NO. <b>P3524</b>
MID STATES STEEL PRODUCTS CO. FABRICATORS OF STRUCTURAL AND MISCELLANEOUS STEEL			SHEET NO. <b>519</b>



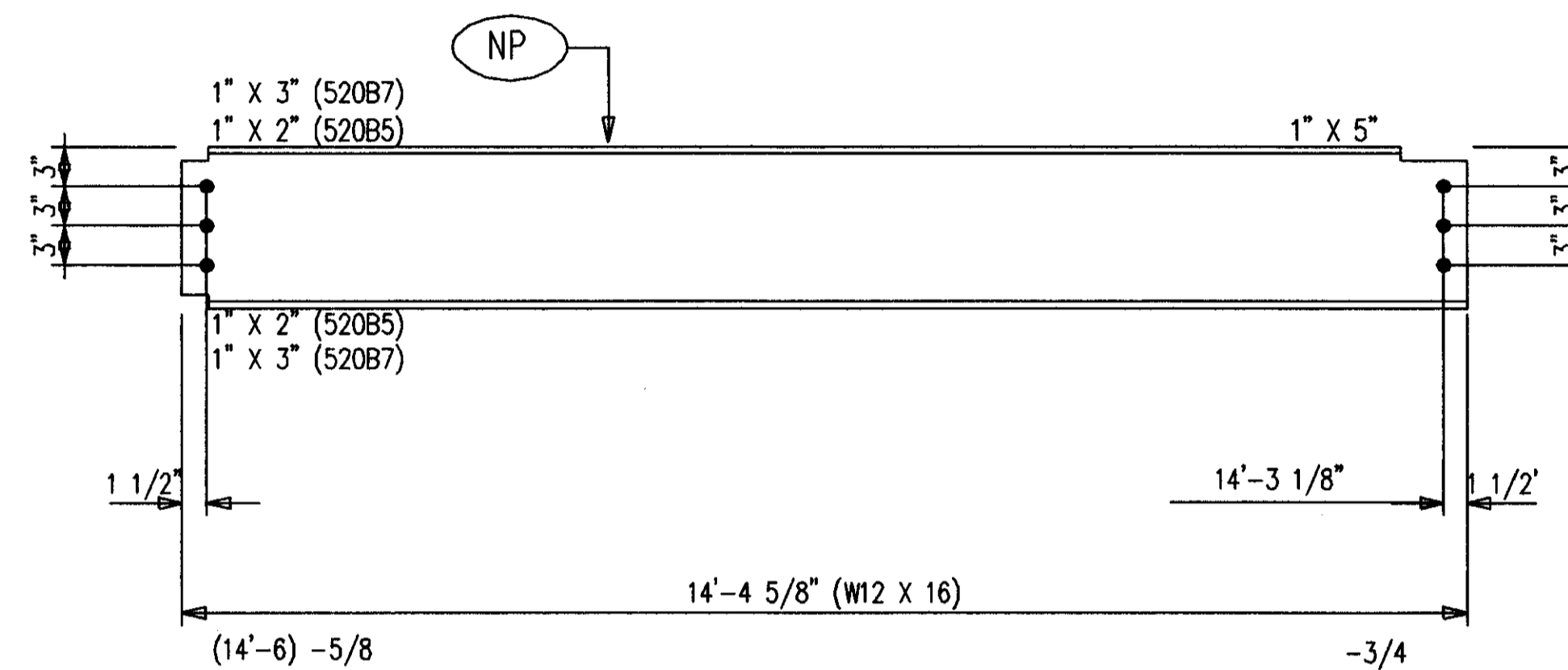
ONE-BEAM 520B1 R [AS SHOWN]  
ONE-BEAM 520B1 L [OPP HAND]  
12-A490 1 X 2 1/4 F1636H



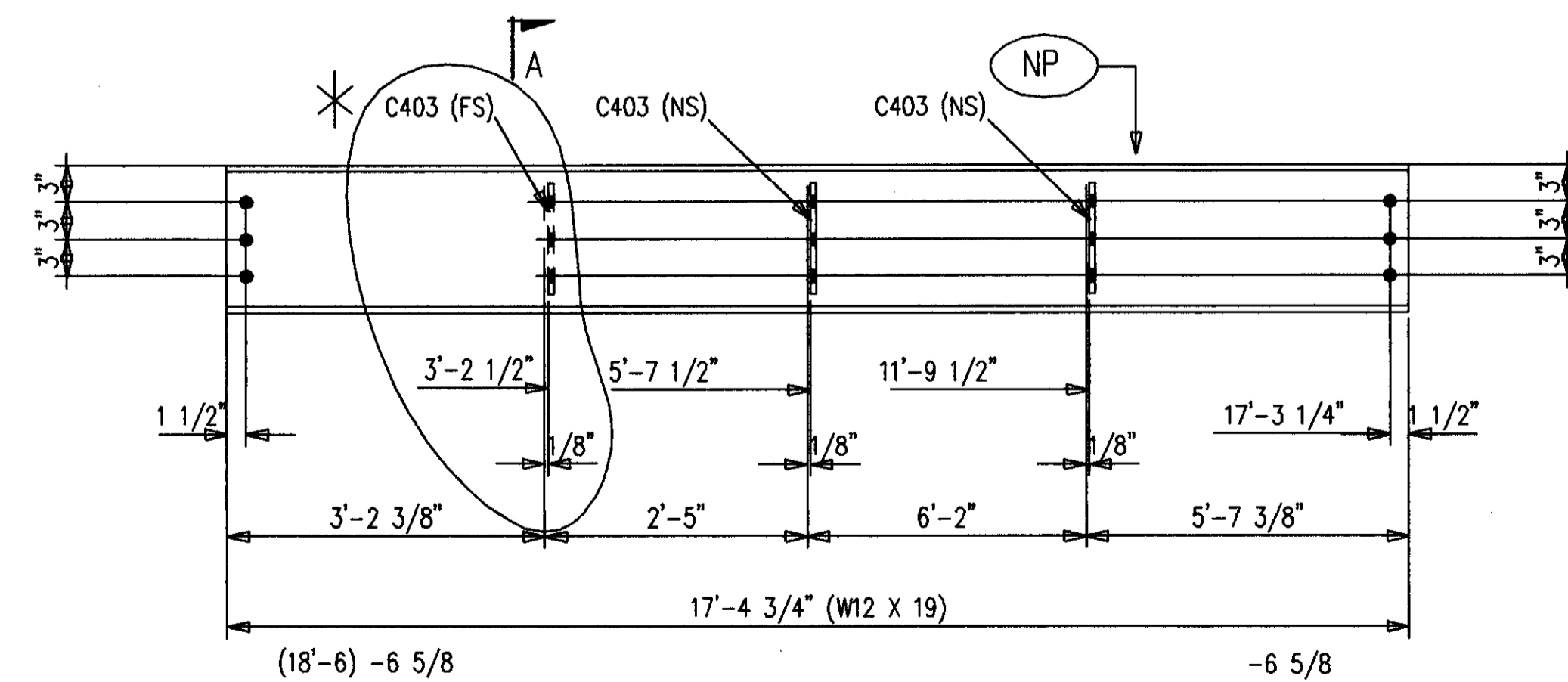
ONE-BEAM 520B4 R [AS SHOWN]  
ONE-BEAM 520B4 L [OPP HAND]  
12-A490 1 X 2 1/4 F1636H



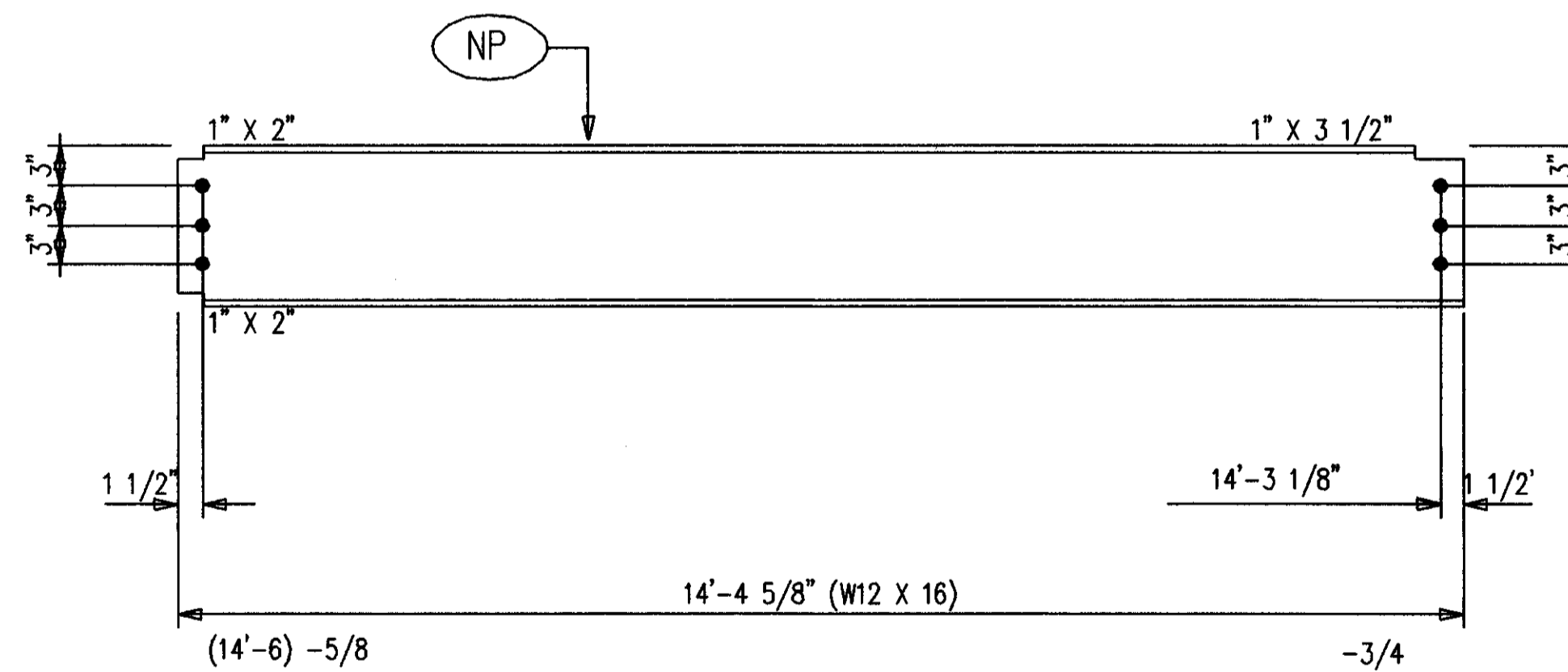
ONE-BEAM 520B2 R [AS SHOWN]  
ONE-BEAM 520B2 L [OPP HAND]  
12-A490 1 X 2 1/4 F1636H



2-BEAMS 520B5  
2-BEAMS 520B7  
24-A490 1 X 2 1/4 F1636H



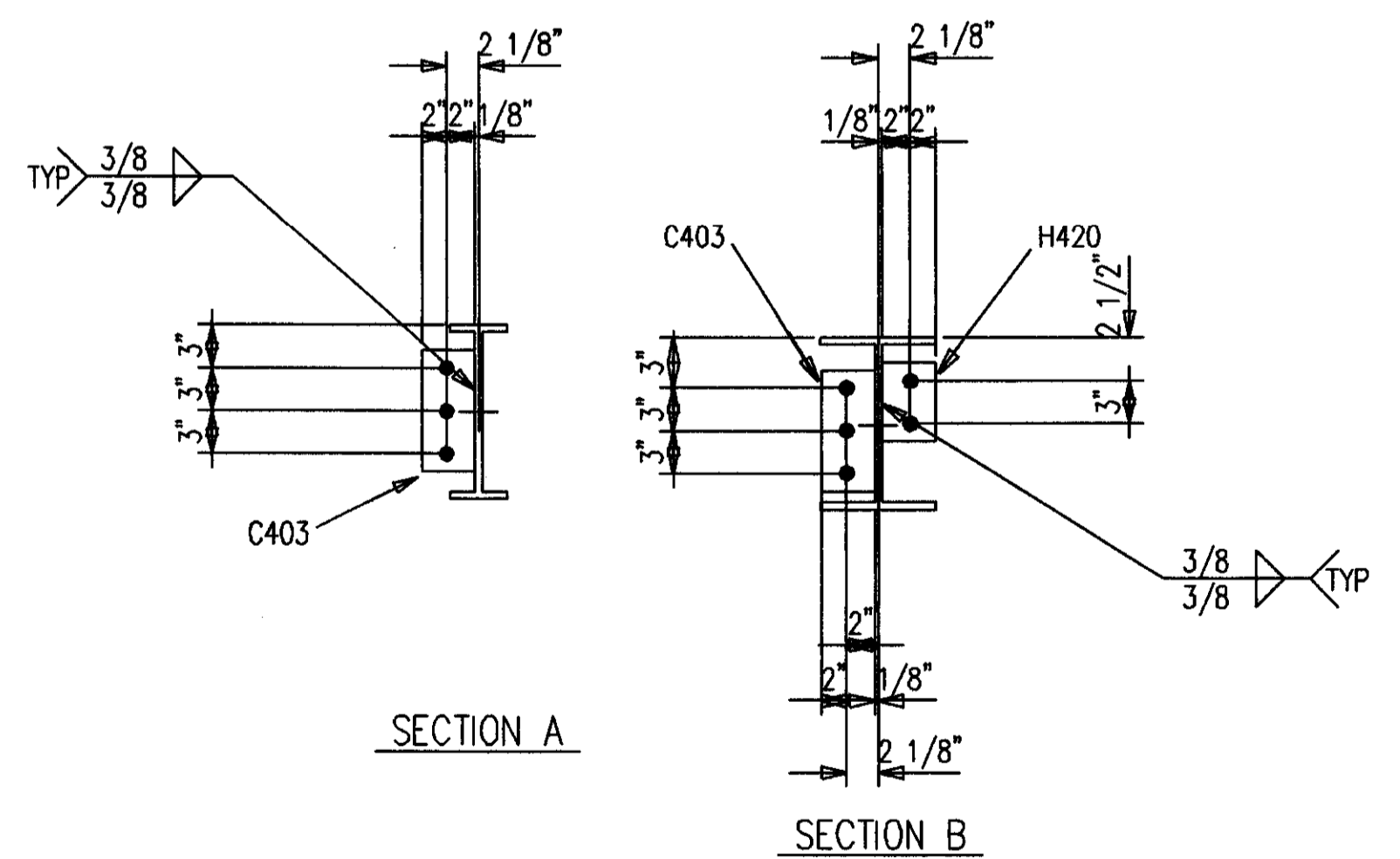
ONE-BEAM 520B3 R [AS SHOWN]  
ONE-BEAM 520B3 L [OPP HAND]  
12-A490 1 X 2 1/4 F1636H



8-BEAMS 520B6  
48-A490 1 X 2 1/4 F1636H

SHOP NOTES:  
1. ALL STEEL GETS PRIMER ONLY.  
2. P=PRIMER ONLY AS DIMENSIONED.  
3. NP=NO PAINT IN 3" WIDE STRIP, CENTER OF BEAM, FULL LENGTH.

AS BUILT  
NAME: *Walter P. Moore*  
DATE: **AUG 16 1999**



BILL OF MATERIAL

MARK	QUAN.	DESCRIPTION	LENGTH		REMARKS
			FT.	IN.	
520B1 L	ONE	BEAM			
520B1	1	W12X26 A572	17	4-3/4	P
C403	2	FBI/2X4	0	9	P
520B1 R	ONE	BEAM			
520B1	1	W12X26 A572	17	4-3/4	P
C403	2	FBI/2X4	0	9	P
520B2 L	ONE	BEAM			
520B2	1	W12X16 A572	17	10-3/4	P
C403	1	FBI/2X4	0	9	P
H420	1	FBI/2X4	0	6	P
520B2 R	ONE	BEAM			
520B2	1	W12X16 A572	17	10-3/4	P
C403	1	FBI/2X4	0	9	P
H420	1	FBI/2X4	0	6	P
520B3 L	ONE	BEAM			
520B3	1	W12X19 A572	17	4-3/4	P
C403	3	FBI/2X4	0	9	P
520B3 R	ONE	BEAM			
520B3	1	W12X19 A572	17	4-3/4	P
C403	3	FBI/2X4	0	9	P
520B4 L	ONE	BEAM			
520B4	1	W12X16 A572	17	10-3/4	P
C403	2	FBI/2X4	0	9	P
H420	1	FBI/2X4	0	6	P
520B4 R	ONE	BEAM			
520B4	1	W12X16 A572	17	10-3/4	P
C403	2	FBI/2X4	0	9	P
H420	1	FBI/2X4	0	6	P
520B5	2	BEAMS			
520B5	2	W12X16 A572	14	4-5/8	P
520B6	8	BEAMS			
520B6	8	W12X16 A572	14	4-5/8	P
520B7	2	BEAMS			
520B7	2	W12X16 A572	14	4-5/8	P
F1636H	110	A490 1X2-1/4			

ALL RE-ENTRANT CUTS MIN. 1/2" RAD. U/N  
ALL A325 BOLTS W/ONE HARD WASH. AND HYV HEX NUT  
ALL A307 BOLTS W/HEX NUT

WELD ELECTRODE U/N E70XX  
SHOP PAINT SEE SPECS

DATE APP SHOP FIELD

NO. DATE REVISION DESCRIPTION

CONTRACTOR TO CHECK ALL DIMENSIONS AT JOB AS MID STATES STEEL PRODUCTS CO. ASSUMES NO RESPONSIBILITY FOR GENERAL BUILDING DIMENSIONS. NO BACK CHARGES PERTAINING TO THIS WORK WILL BE ACCEPTED WITHOUT PRIOR AUTHORIZATION BY MID STATES STEEL PRODUCTS CO.

MATERIAL U/N A36  
OPEN HOLES U/N 1 1/16"

DRAWN BY JDL  
DATE 9/98

CHECKED BY GCL  
DATE 9/98

JOB NAME COMMONWEALTH STADIUM EXPANSION  
JOB LOCATION UNIVERSITY OF KENTUCKY  
CONTRACTOR TURNER CONSTRUCTION COMPANY  
ENGINEER WALTER P. MOORE AND ASSOCIATES, INC.

DRAWING TITLE BEAMS

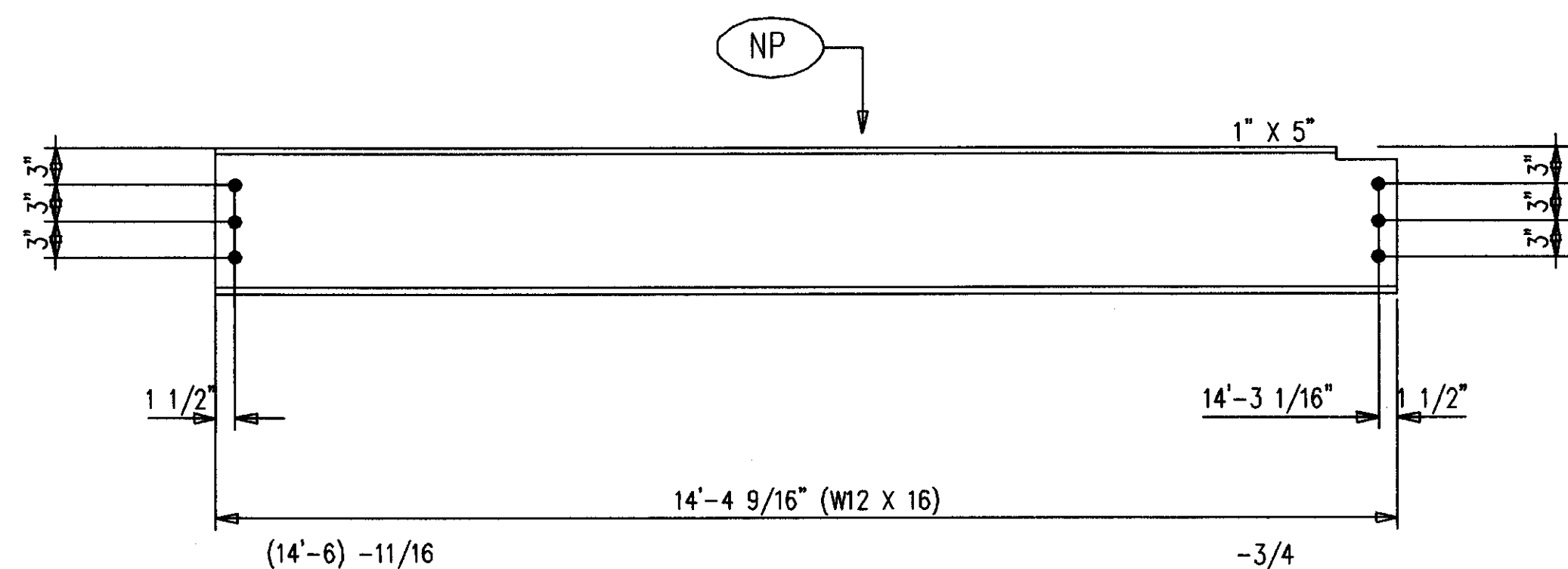
P.O. BOX 11128-2044 BUCK LANE  
LEXINGTON, KENTUCKY 40511  
PHONE: 606-233-4344 FAX: 606-233-4346

ORDER NO. P3524  
SHEET NO. 520

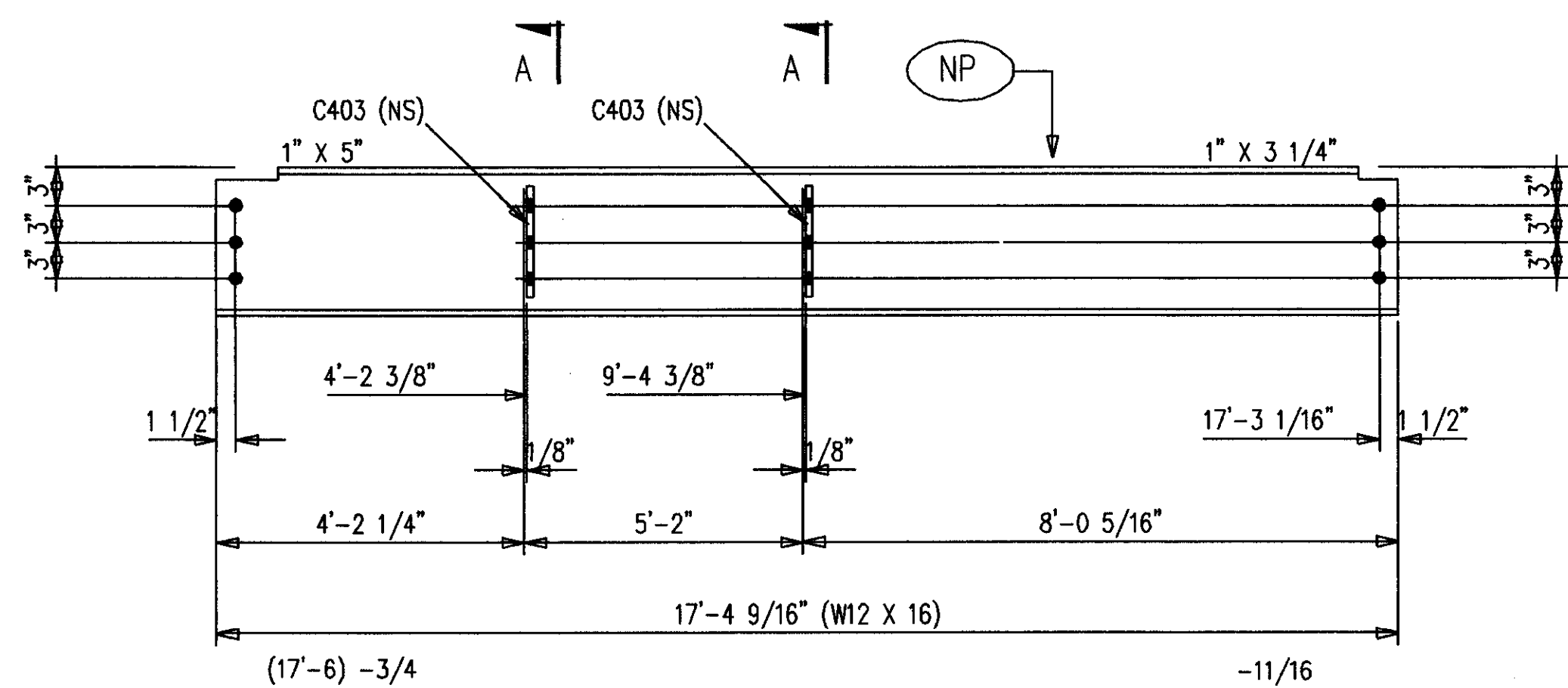
MID STATES STEEL PRODUCTS CO.  
FABRICATORS OF STRUCTURAL AND MISCELLANEOUS STEEL

Doc # 34850  
C-2

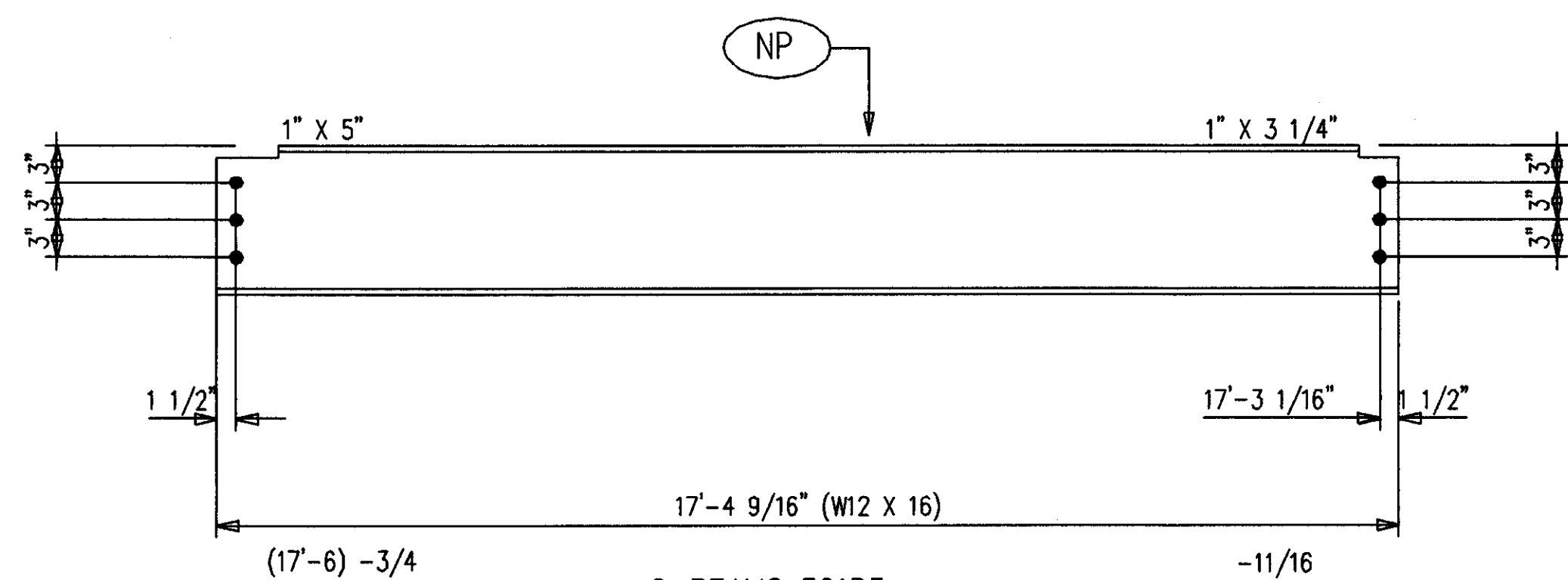




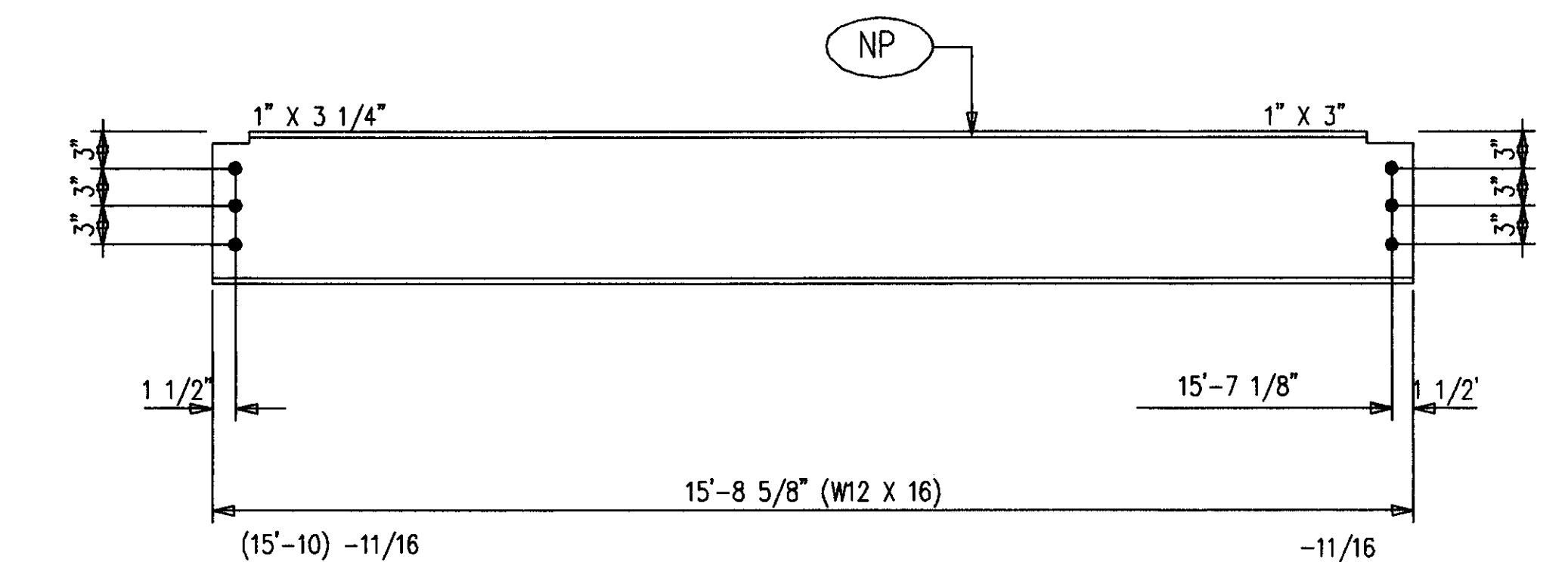
2-BEAMS 521B1  
12-A490 1 X 2 1/4 F1636H



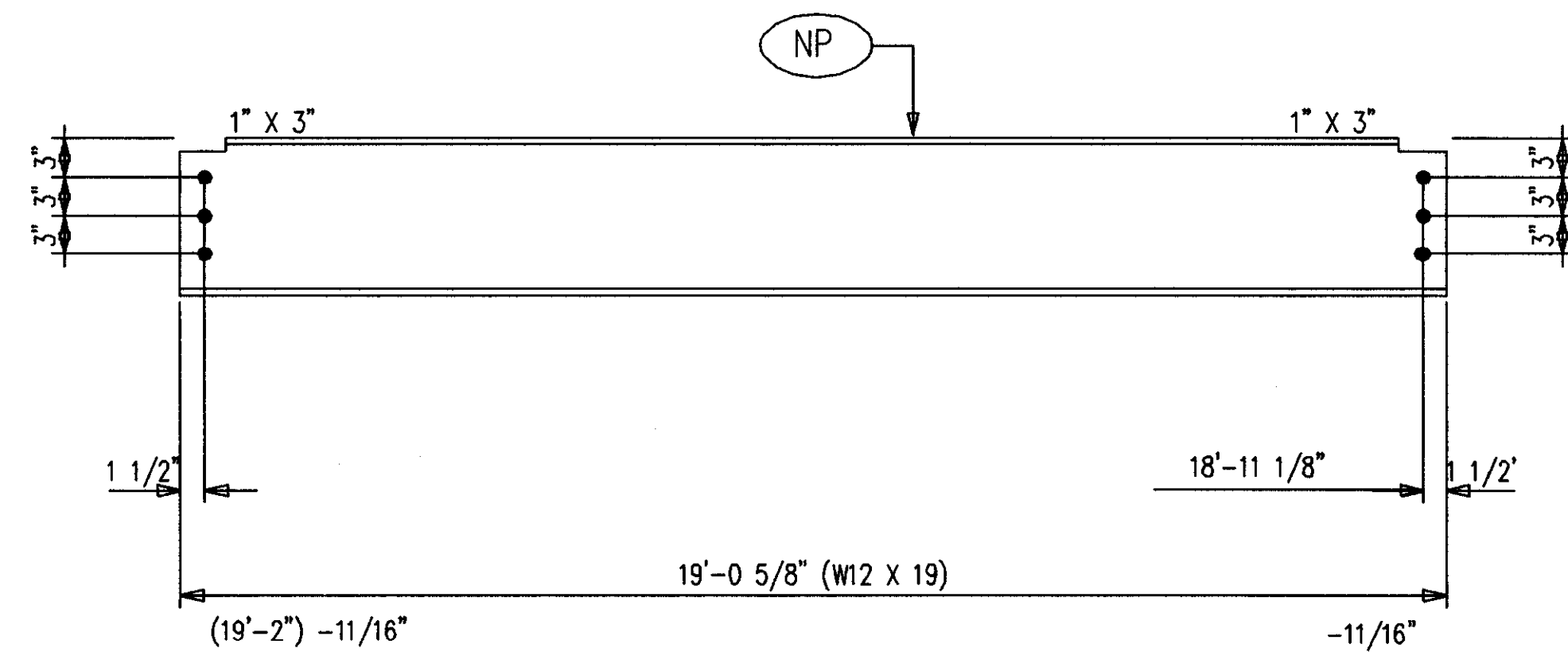
2-BEAMS 521B2 R [AS SHOWN]  
2-BEAMS 521B2 L [OPP HAND]  
24-A490 1 X 2 1/4 F1636H



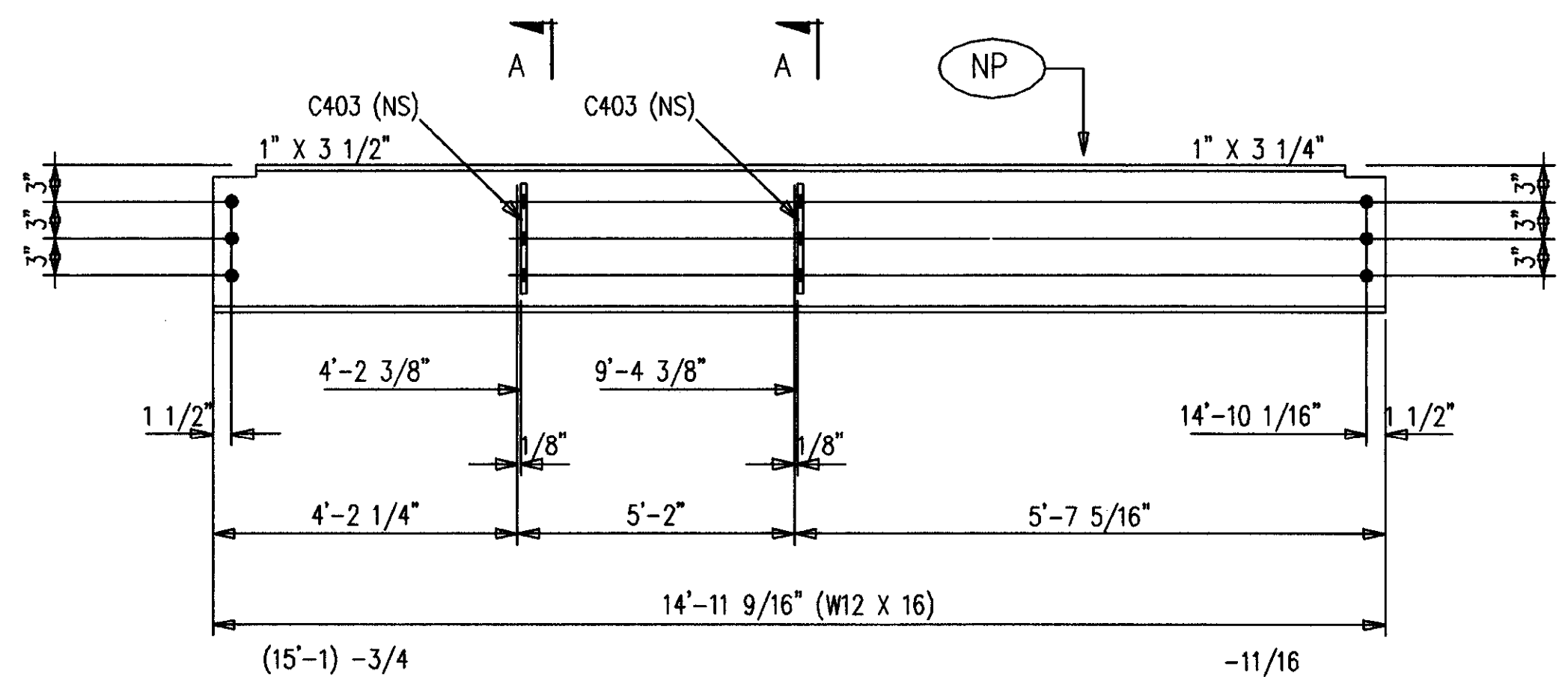
2-BEAMS 521B3  
12-A490 1 X 2 1/4 F1636H



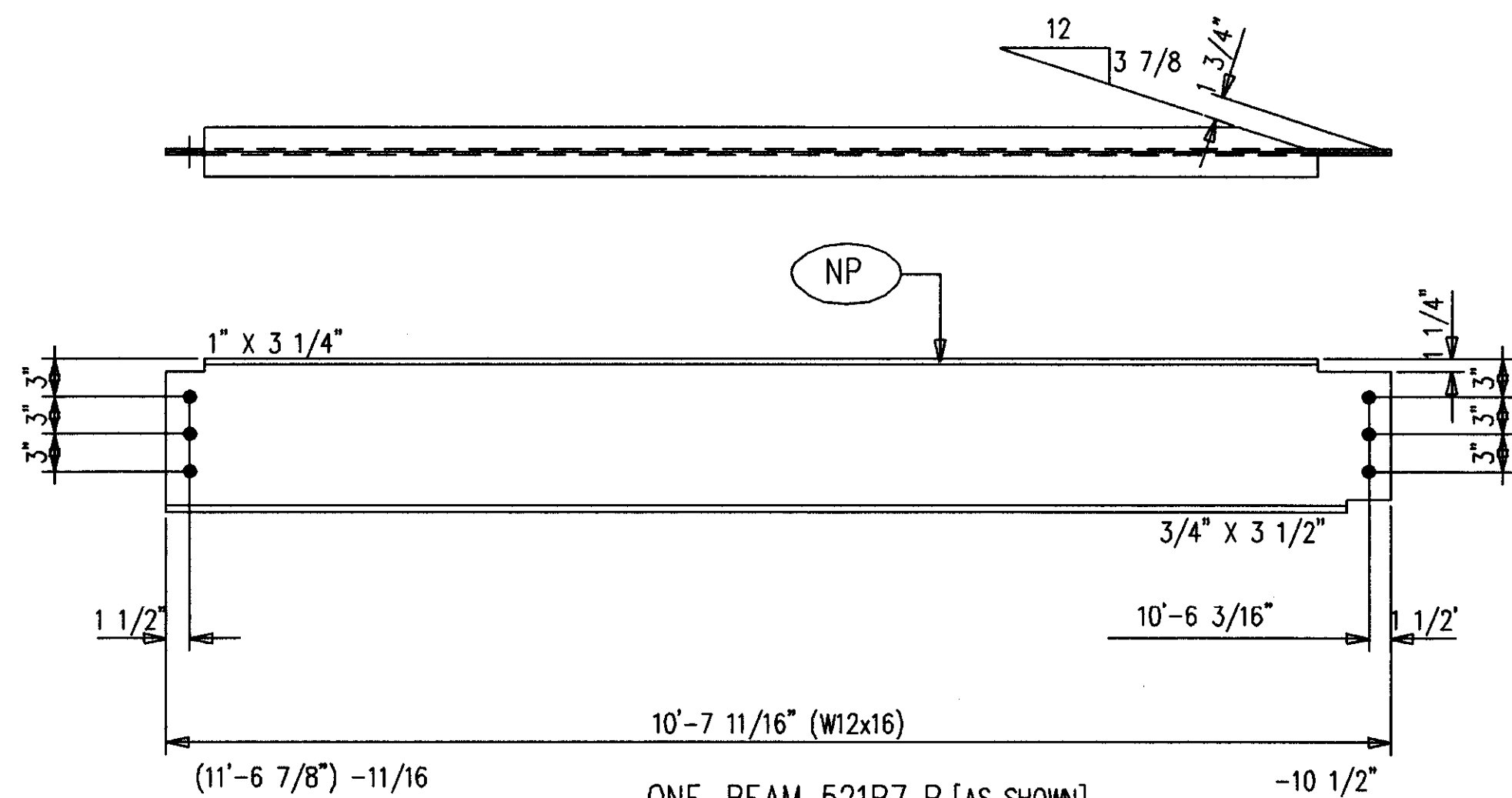
4-BEAMS 521B4  
24-A490 1 X 2 1/4 F1636H



2-BEAMS 521B5  
12-A490 1 X 2 1/4 F1636H



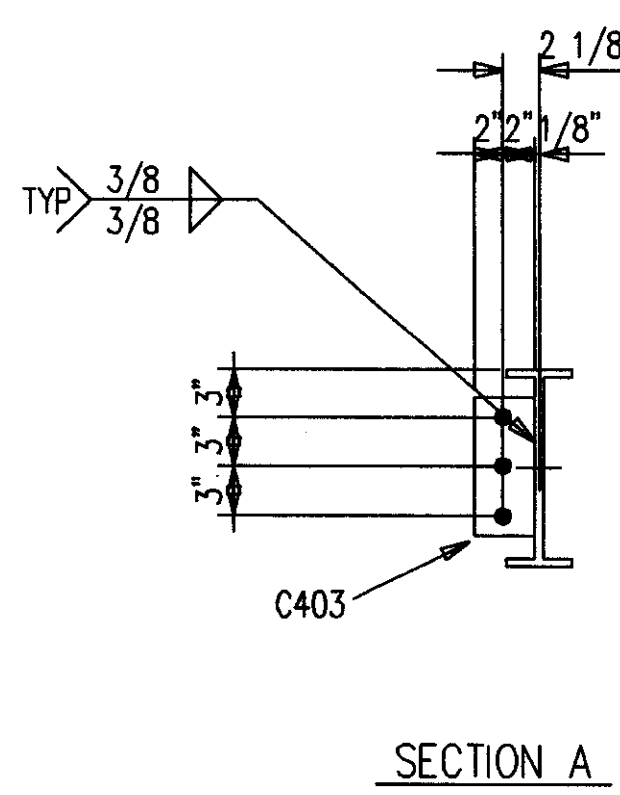
2-BEAMS 521B6 R [AS SHOWN]  
2-BEAMS 521B6 L [OPP HAND]  
24-A490 1 X 2 1/4 F1636H



ONE-BEAM 521B7 R [AS SHOWN]  
ONE-BEAM 521B7 L [OPP HAND]  
12-A490 1 X 2 1/4 F1636H

BILL OF MATERIAL

MARK	QUAN.	DESCRIPTION	LENGTH		REMARKS
			FT.	IN.	
521B1	2	BEAMS			
521B1	2	W12X16 A572	14	4-9/16	P
521B2 L	2	BEAMS			
521B2	2	W12X16 A572	17	4-9/16	P
C403	4	FB1/2X4	0	9	P
521B2 R	2	BEAMS			
521B2	2	W12X16 A572	17	4-9/16	P
C403	4	FB1/2X4	0	9	P
521B3	2	BEAMS			
521B3	2	W12X16 A572	17	4-9/16	P
521B4	4	BEAMS			
521B4	4	W12X16 A572	15	8-5/8	P
521B5	2	BEAMS			
521B5	2	W12X19 A572	19	0-5/8	P
521B6 L	2	BEAMS			
521B6	2	W12X16 A572	14	11-9/16	P
C403	4	FB1/2X4	0	9	P
521B6 R	2	BEAMS			
521B6	2	W12X16 A572	14	11-9/16	P
C403	4	FB1/2X4	0	9	P
521B7 L	ONE	BEAM			
521B7	1	W12X16 A572	10	7-11/16	P
521B7 R	ONE	BEAM			
521B7	1	W12X16 A572	10	7-11/16	P
F1636H	122	FIELD BOLTS A490 1X2-1/4			



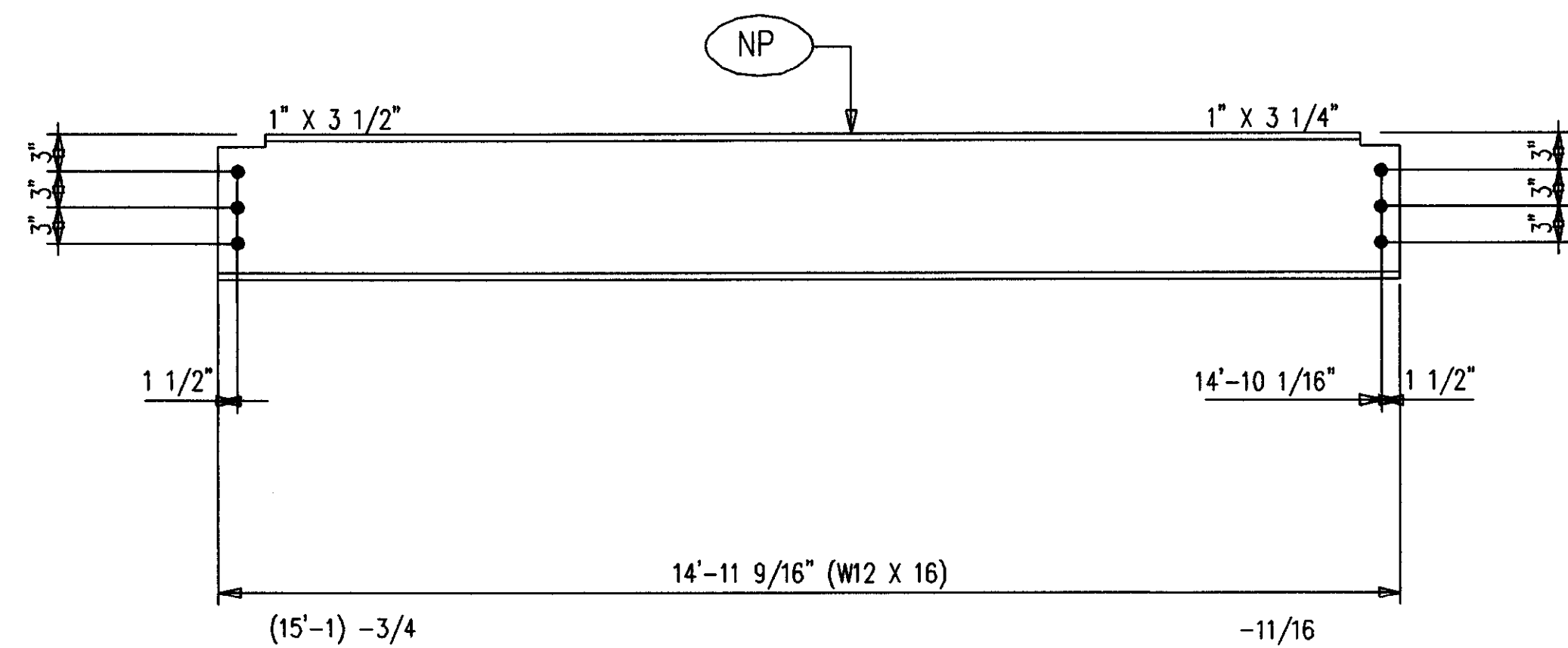
AS BUILT  
NAME: *Map Hughes*  
DATE: AUG 16 1999

SHOP NOTES:  
1. ALL STEEL GETS PRIMER ONLY.  
2. P=PRIMER ONLY AS DIMENSIONED.  
3. NP=NO PAINT IN 3" WIDE STRIP, CENTER OF BEAM, FULL LENGTH.

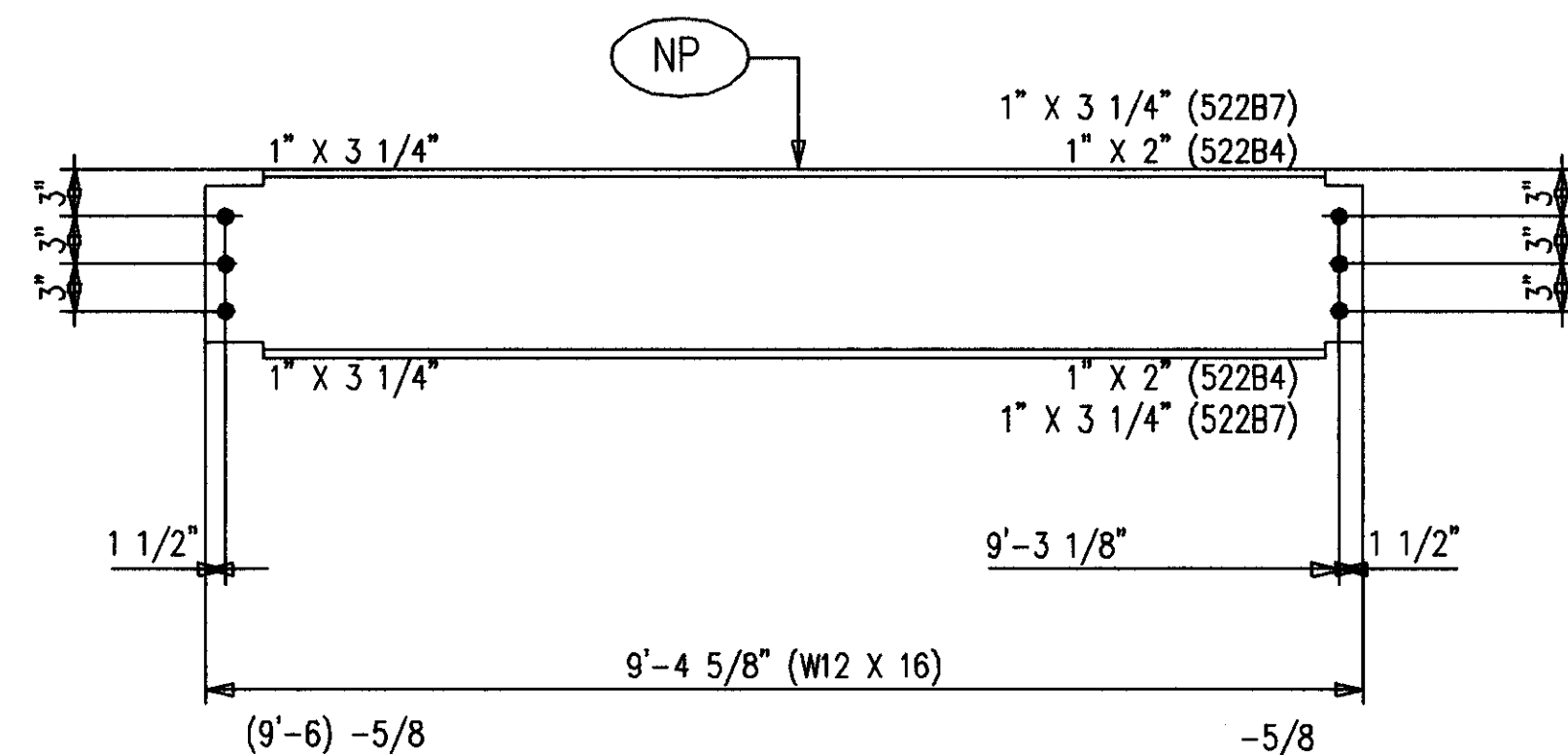
ALL RE-ENTRANT CUTS MIN. 1/2" RAD. U/N	WELD ELECTRODE E70XX	CHECKED BY GCL	DATE 9/98	CONTRACTOR TURNER CONSTRUCTION COMPANY
ALL A325 BOLTS w/ONE HARD WASH. AND Hvy HEX NUT	SHOP PAINT SEE SPECS	DATE 9/98	ENGINEER WALTER P. MOORE AND ASSOCIATES, INC.	
ALL A307 BOLTS w/HEX NUT	DRAWING TITLE BEAMS			

MID STATES STEEL PRODUCTS CO.  
FABRICATORS OF STRUCTURAL AND MISCELLANEOUS STEEL  
P.O. BOX 11128-2044 BUCK LANE  
LEXINGTON, KENTUCKY 40511  
PHONE: 606-233-4344 FAX: 606-233-4346  
ORDER NO. P3524  
SHEET NO. 521

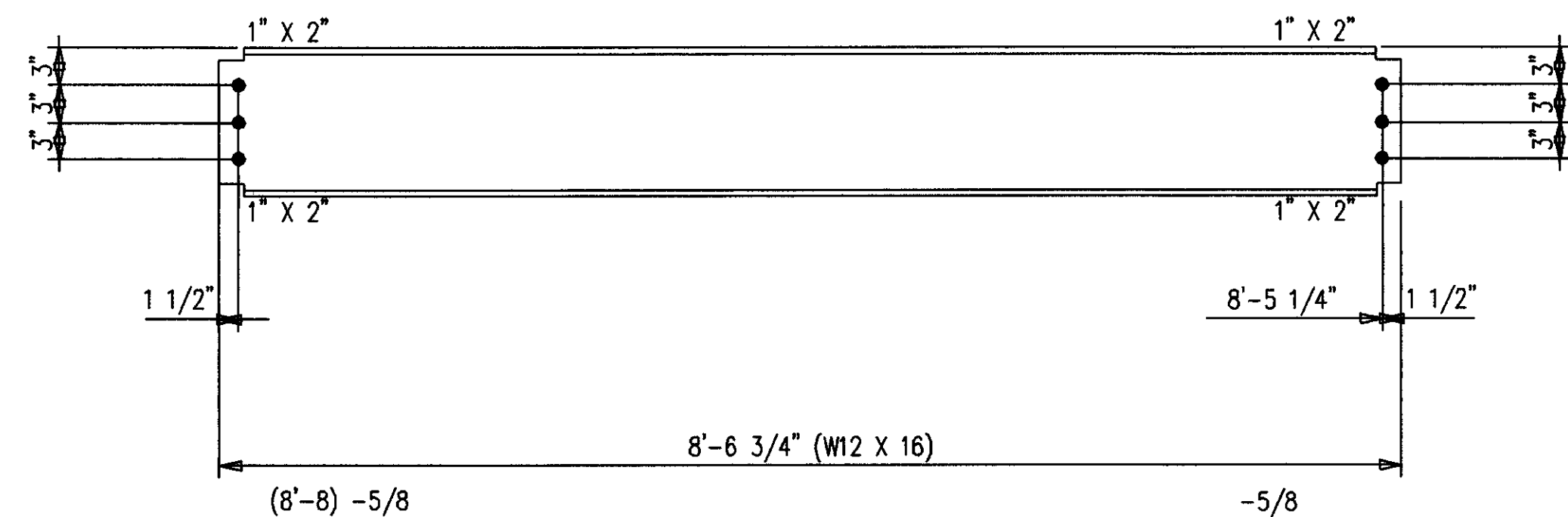
Document # 34851  
Cab # 206  
Slot C-2



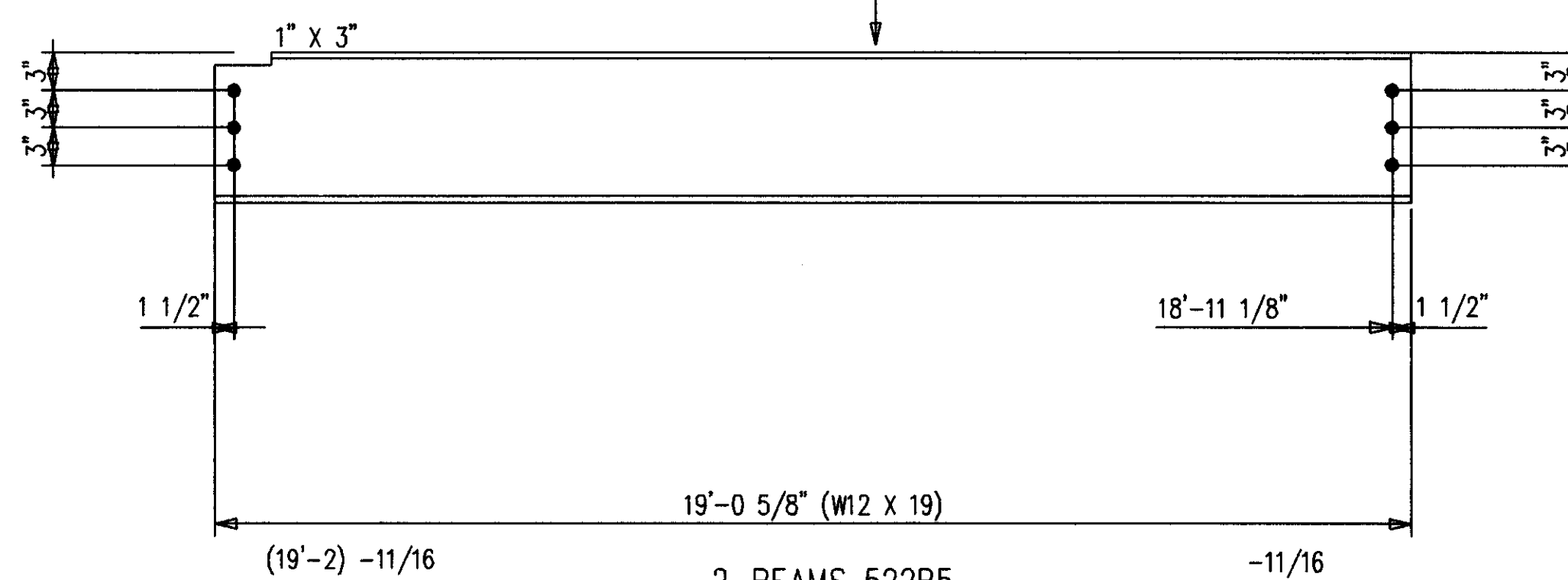
4-BEAMS 522B1  
24-A490 1 X 2 1/4 F1636H



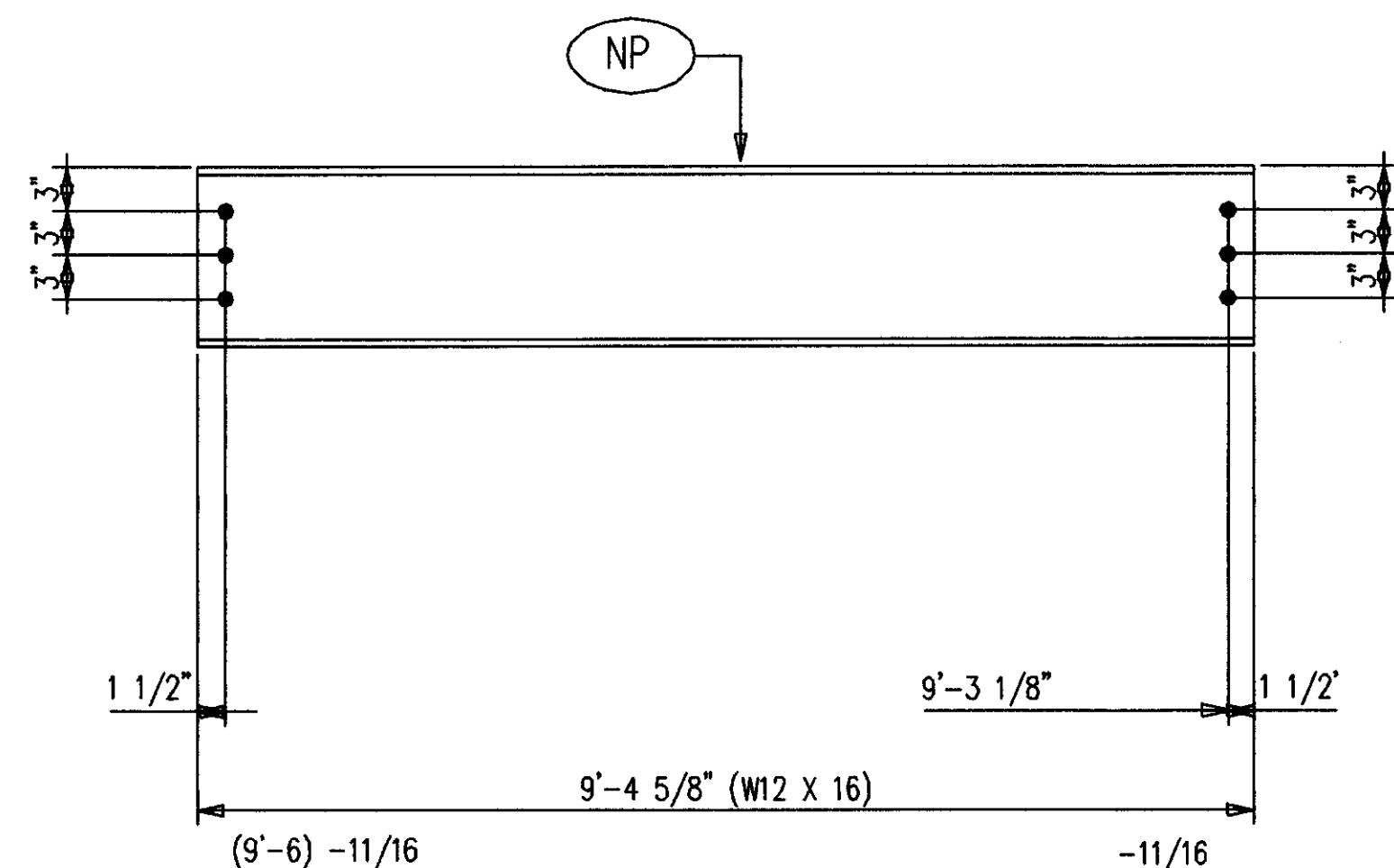
2-BEAMS 522B4  
2-BEAMS 522B7  
24-A490 1 X 2 1/4 F1636H



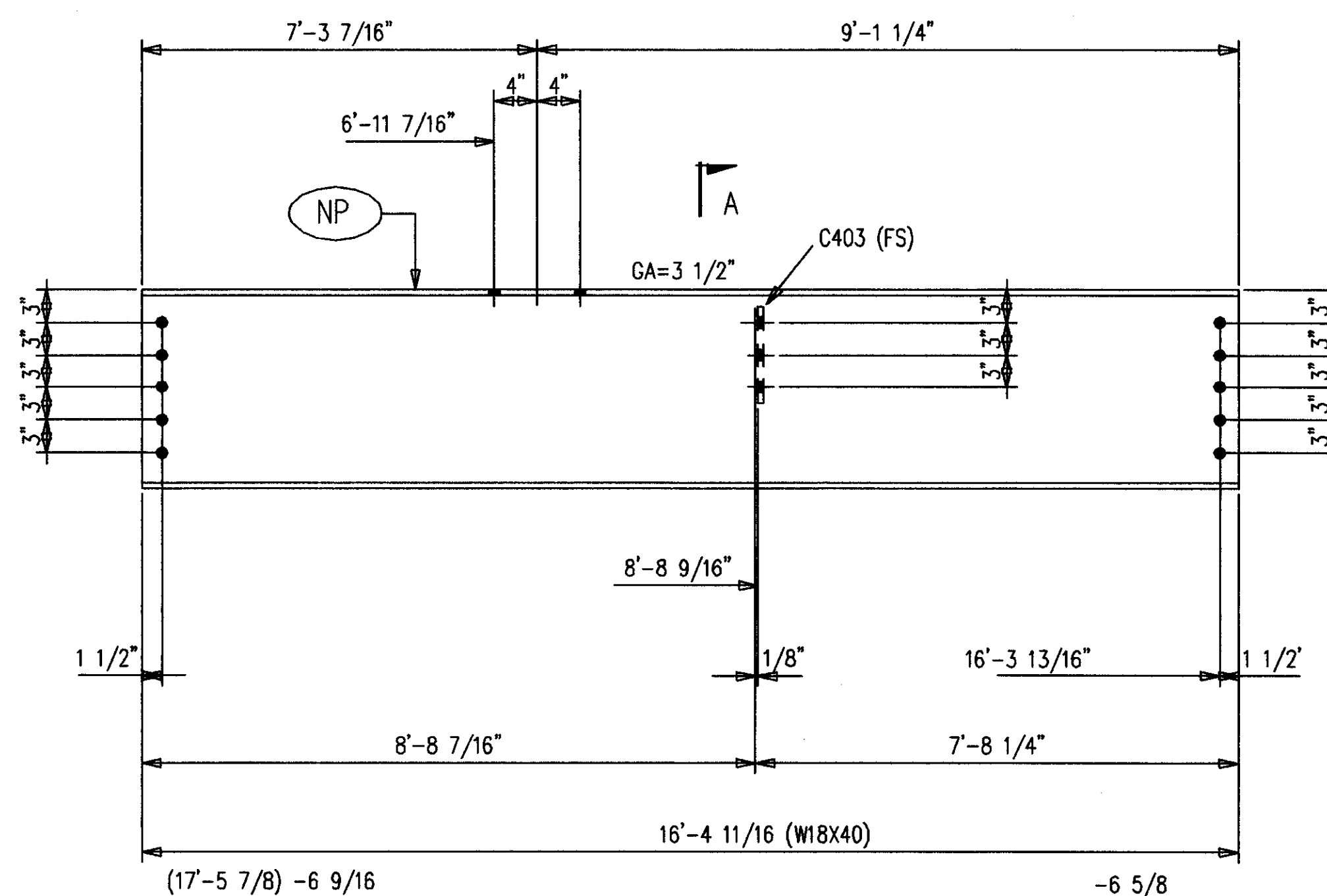
8-BEAMS 522B2  
48-A490 1 X 2 1/4 F1636H



2-BEAMS 522B5  
12-A490 1 X 2 1/4 F1636H



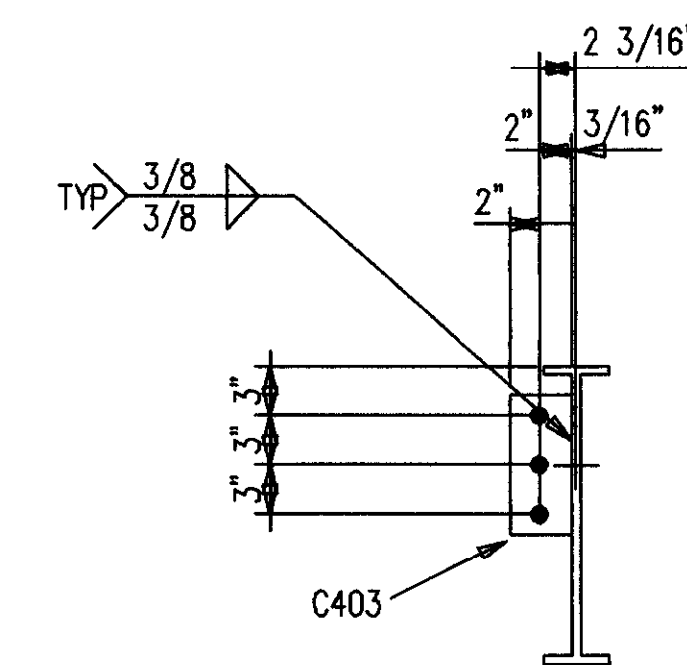
6-BEAMS 522B3  
36-A490 1 X 2 1/4 F1636H



ONE-BEAM 522B6 R [AS SHOWN]  
ONE-BEAM 522B6 L [OPP HAND]  
20-A490 1 X 2 1/4 F1636H

BILL OF MATERIAL

MARK	QUAN.	DESCRIPTION	LENGTH		REMARKS
			FT.	IN.	
522B1	4	BEAMS			
522B1	4	W12X16 A572	14	11-9/16	P
522B2	8	BEAMS			
522B2	8	W12X16 A572	8	6-3/4	P
522B3	6	BEAMS			
522B3	6	W12X16 A572	9	4-5/8	P
522B4	2	BEAMS			
522B4	2	W12X16 A572	9	4-5/8	P
522B5	2	BEAMS			
522B5	2	W12X19 A572	19	0-5/8	P
522B6 L	ONE	BEAM			
* 522B6	1	W18X40 A572	16	4-11/16	P
C403	1	FB1/2X4	0	9	P
522B6 R	ONE	BEAM			
* 522B6	1	W18X40 A572	16	4-11/16	P
C403	1	FB1/2X4	0	9	P
522B7	2	BEAMS			
* 522B7	2	W12X16 A572	9	4-5/8	P
		FIELD BOLTS			
* F1636H	154	A490 1X2-1/4			



SECTION A

AS BUILT  
NAME: *Walter Moore*  
DATE: AUG 16 1999

SHOP NOTES:  
1. ALL STEEL GETS PRIMER ONLY.  
2. P=PRIMER ONLY AS DIMENSIONED.  
3. NP=NO PAINT IN 3" WIDE STRIP, CENTER OF BEAM, FULL LENGTH.

ALL RE-ENTRANT CUTS MIN 1/2" RAD. U/W	WELD ELECTRODE U/W E70XX	CHECKED BY GCL	DATE 9/98	CONTRACTOR TURNER CONSTRUCTION COMPANY
ALL A325 BOLTS W/ONE HARD WASH. AND HVY HEX NUT	SHOP PAINT SEE SPECS	DATE 9/98	ENGINEER WALTER P. MOORE AND ASSOCIATES, INC.	
ALL A307 BOLTS W/HEX NUT	DRAWING TITLE BEAMS			

MATERIAL U/W A36  
OPEN HOLES U/W 1 1/16"

NO. DATE REVISION DESCRIPTION

CONTRACTOR TO CHECK ALL DIMENSIONS AT JOB AS MID STATES STEEL PRODUCTS CO. ASSUMES NO RESPONSIBILITY FOR GENERAL BUILDING DIMENSIONS. NO BACK CHARGES PERTAINING TO THIS WORK WILL BE ACCEPTED WITHOUT PRIOR AUTHORIZATION BY MID STATES STEEL PRODUCTS CO.

DRAWN BY JDL  
DATE 9/98  
JOB NAME COMMONWEALTH STADIUM EXPANSION  
JOB LOCATION UNIVERSITY OF KENTUCKY

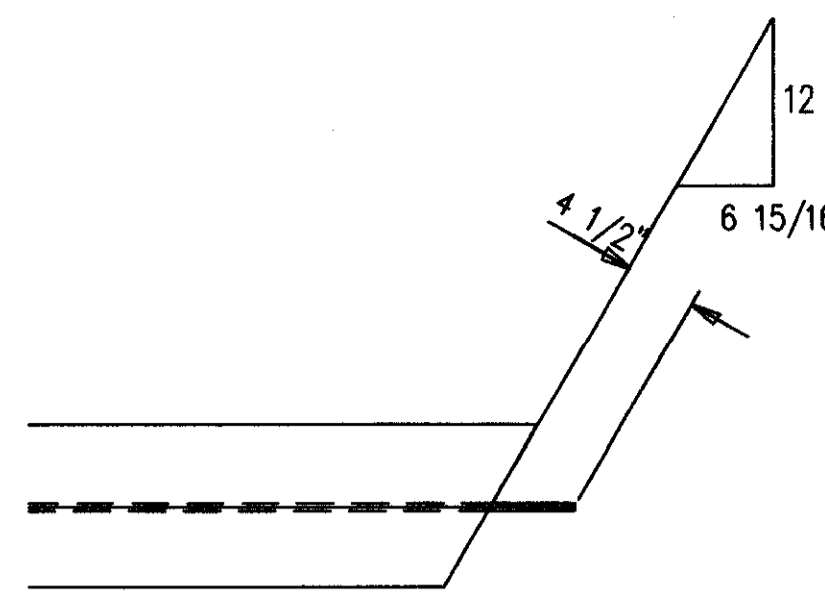
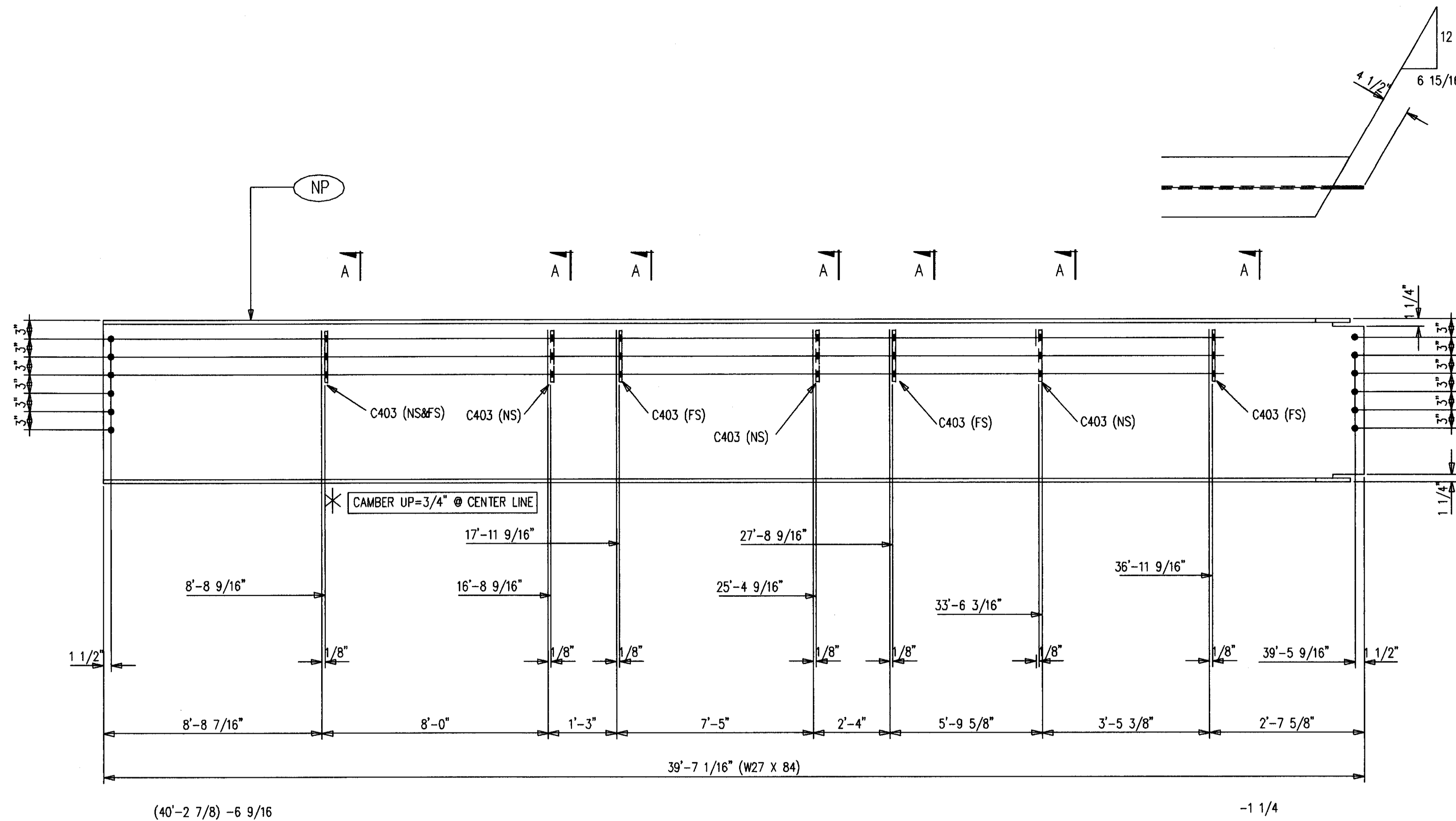
P.O. BOX 11128-2044 BUCK LANE  
LEXINGTON, KENTUCKY 40511  
PHONE: 606-233-4344 FAX: 606-233-4346

ORDER NO. P3524  
SHEET NO. 522

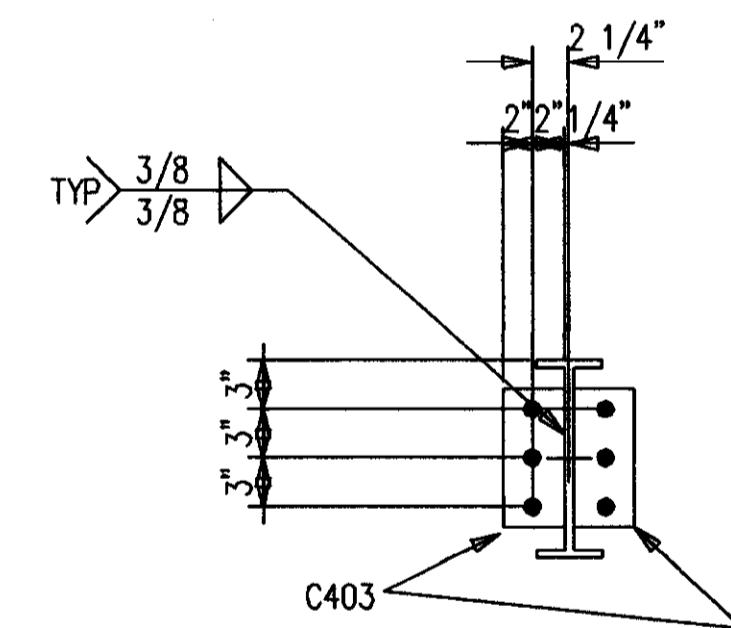
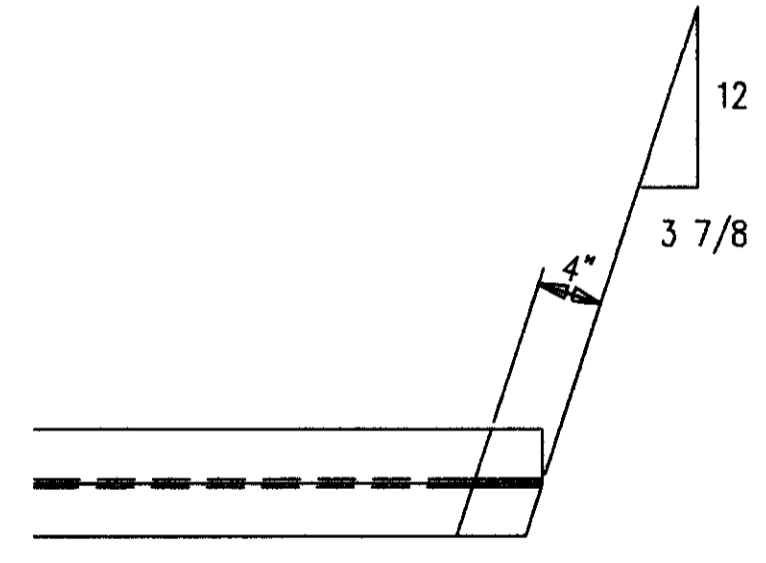
MID STATES STEEL PRODUCTS CO.  
FABRICATORS OF STRUCTURAL AND MISCELLANEOUS STEEL

BILL OF MATERIAL

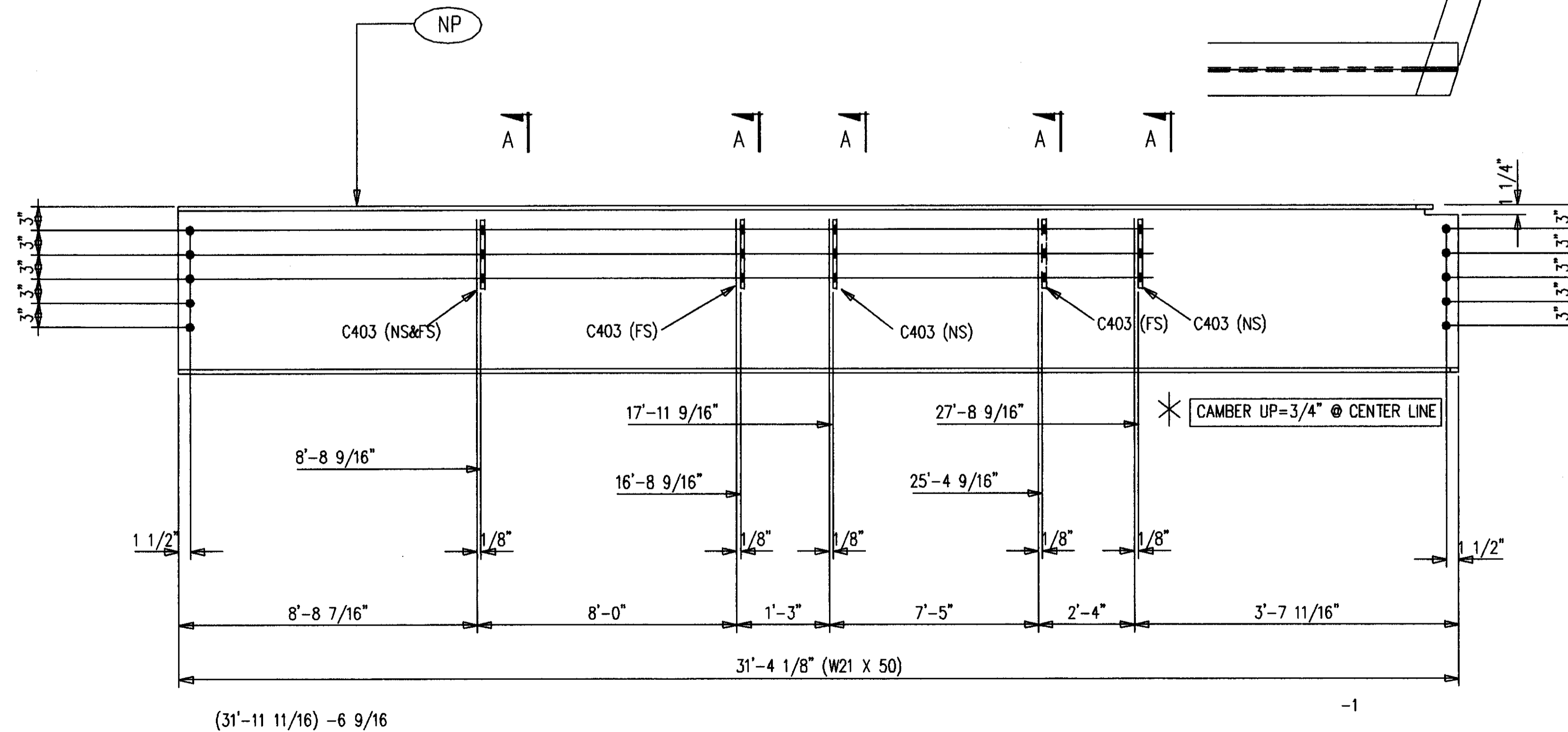
MARK	QUAN.	DESCRIPTION	LENGTH		REMARKS
			FT.	IN.	
523B1 L	ONE	BEAM			
523B1	1	W27X84 A572	39	7-1/16	P
C403	8	FB1/2X4	0	9	P
523B1 R	ONE	BEAM			
523B1	1	W27X84 A572	39	7-1/16	P
C403	8	FB1/2X4	0	9	P
523B2 L	ONE	BEAM			
523B2	1	W21X50 A572	31	4-1/8	P
C403	6	FB1/2X4	0	9	P
523B2 R	ONE	BEAM			
523B2	1	W21X50 A572	31	4-1/8	P
C403	6	FB1/2X4	0	9	P
		FIELD BOLTS			
F1640H	45	A490 1X2-1/2			



ONE-BEAM 523B1 R [AS SHOWN]  
 ONE-BEAM 523B1 L [OPP HAND]  
 24-A490 1 X 2 1/2 F1640H



SECTION A



ONE-BEAM 523B2 R [AS SHOWN]  
 ONE-BEAM 523B2 L [OPP HAND]  
 20-A490 1 X 2 1/2 F1640H

SHOP NOTES:  
 1. ALL STEEL GETS PRIMER ONLY.  
 2. P=PRIMER ONLY AS DIMENSIONED.  
 3. NP=NO PAINT IN 3\"/>

AS BUILT  
 NAME: *Neil Hughes*  
 DATE: **AUG 16 1999**

DATE	APP	SHOP	FIELD

NO.	DATE	REVISION DESCRIPTION	OWN	COO

CONTRACTOR TO CHECK ALL DIMENSIONS AT JOB AS MID STATES STEEL PRODUCTS CO. ASSUMES NO RESPONSIBILITY FOR GENERAL BUILDING DIMENSIONS. NO BACK CHARGES PERTAINING TO THIS WORK WILL BE ACCEPTED WITHOUT PRIOR AUTHORIZATION BY MID STATES STEEL PRODUCTS CO.

MATERIAL U/N A36	DRAWN BY JDL	JOB NAME COMMONWEALTH STADIUM EXPANSION
OPEN HOLES U/N 1 1/16φ	DATE 9/98	JOB LOCATION UNIVERSITY OF KENTUCKY
WELD ELECTRODE U/N E70XX	CHECKED BY GCL	CONTRACTOR TURNER CONSTRUCTION COMPANY
SHOP PAINT SEE SPECS	DATE 9/98	ENGINEER WALTER P. MOORE AND ASSOCIATES, INC.
DRAWING TITLE BEAMS		

ALL RE-ENTRANT CUTS MIN. 1/2\"/>

ALL A325 BOLTS w/ONE HARD WASH. AND HVY HEX NUT

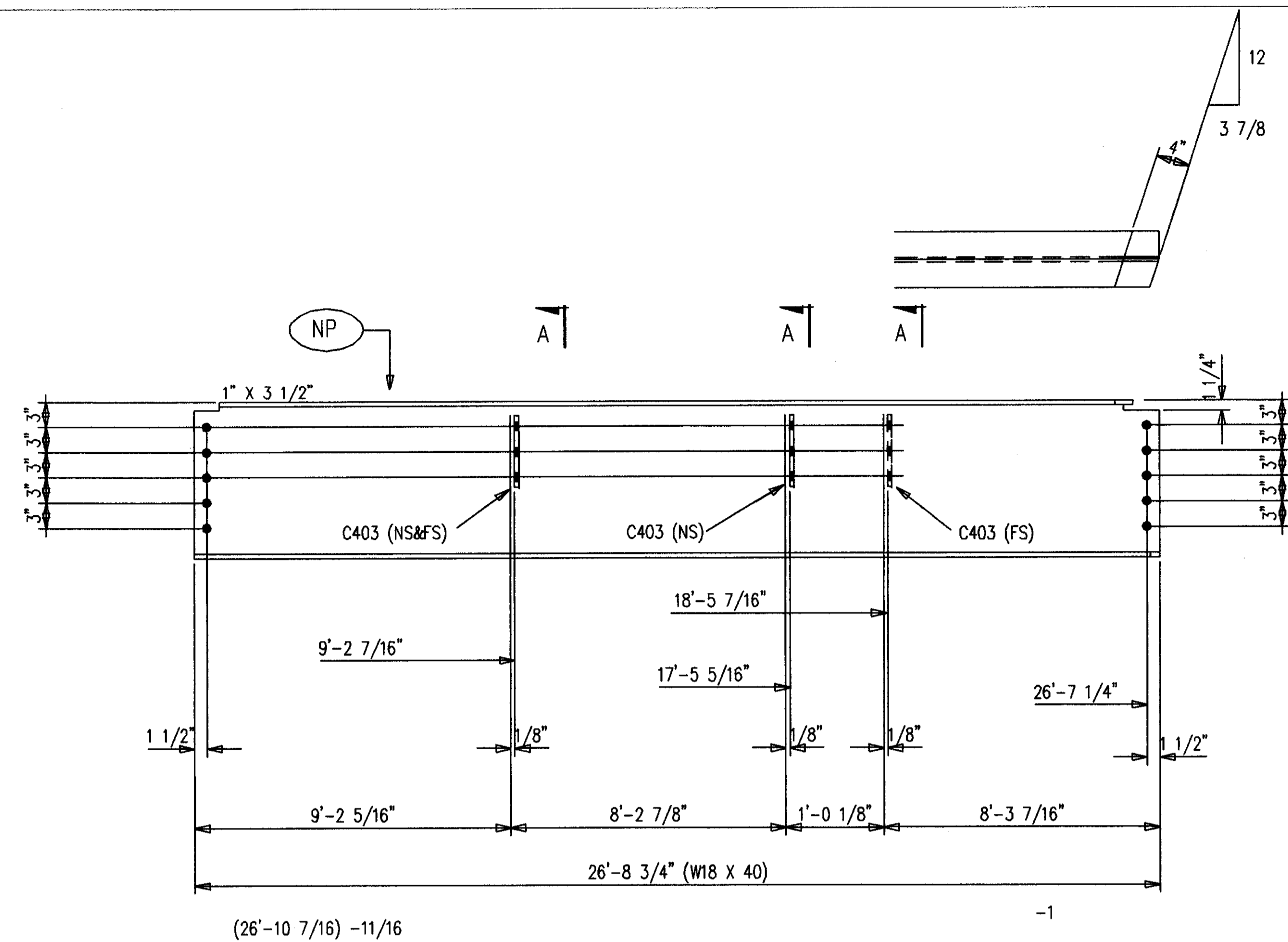
ALL A307 BOLTS w/HEX NUT

P.O. BOX 11128-2044 BUCK LANE  
 LEXINGTON, KENTUCKY 40511  
 PHONE: 606-233-4344 FAX: 606-233-4346

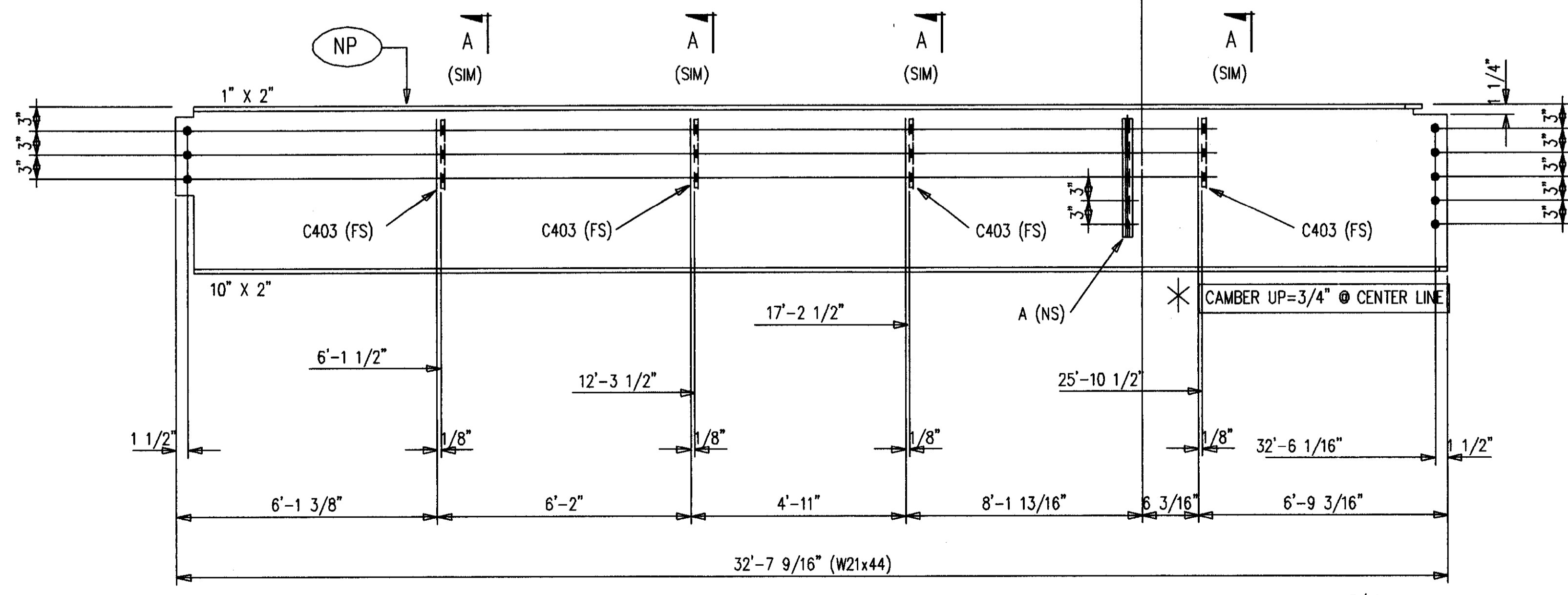
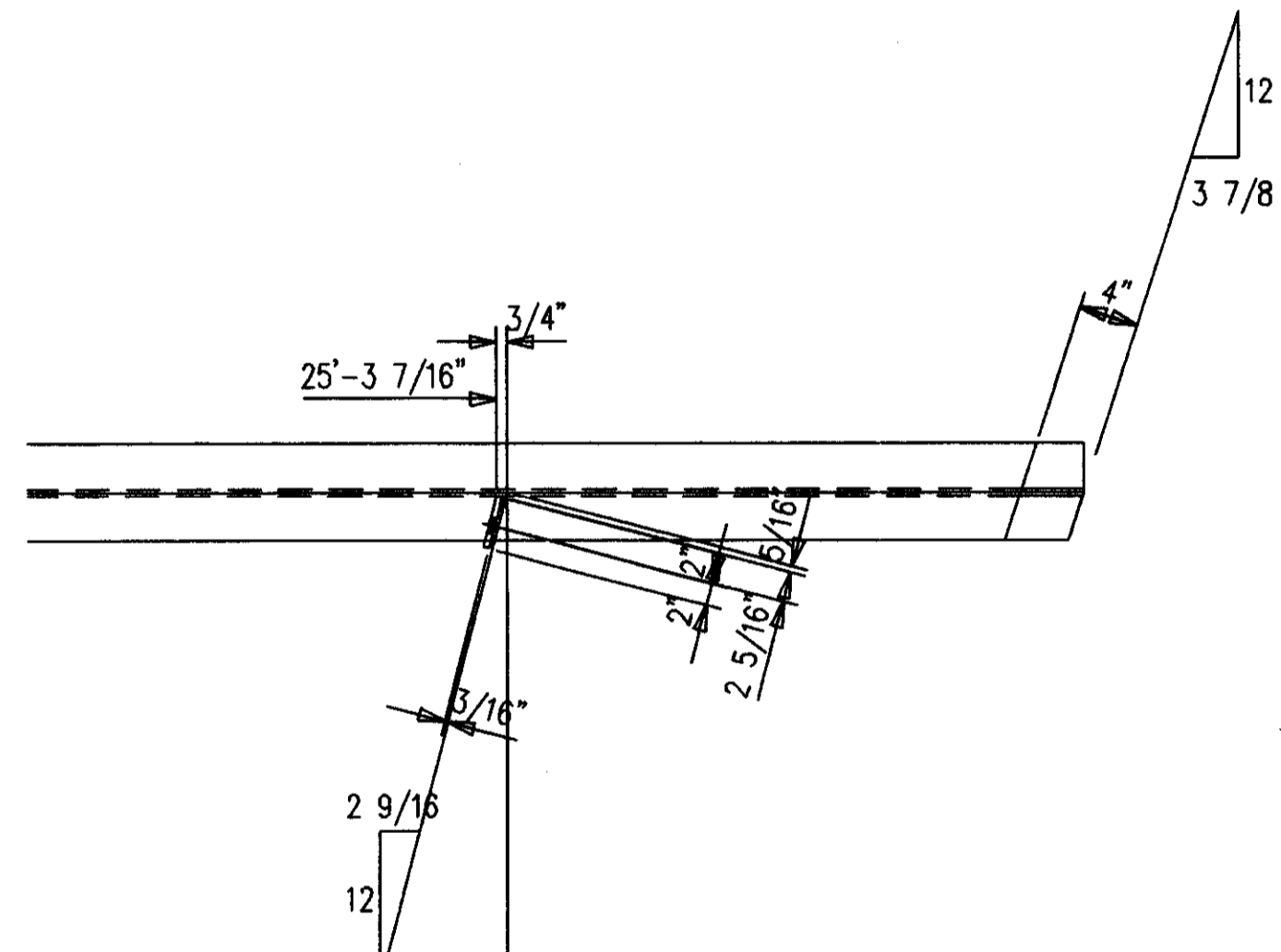
ORDER NO. P3524  
 SHEET NO. 523

MID STATES STEEL PRODUCTS CO.  
 FABRICATORS OF STRUCTURAL AND MISCELLANEOUS STEEL

Document # 34853  
 Cab # 206  
 C-2



ONE-BEAM 524B1 R [AS SHOWN]  
 ONE-BEAM 524B1 L [OPP HAND]  
 20-A490 1 X 2 1/2 F1640H

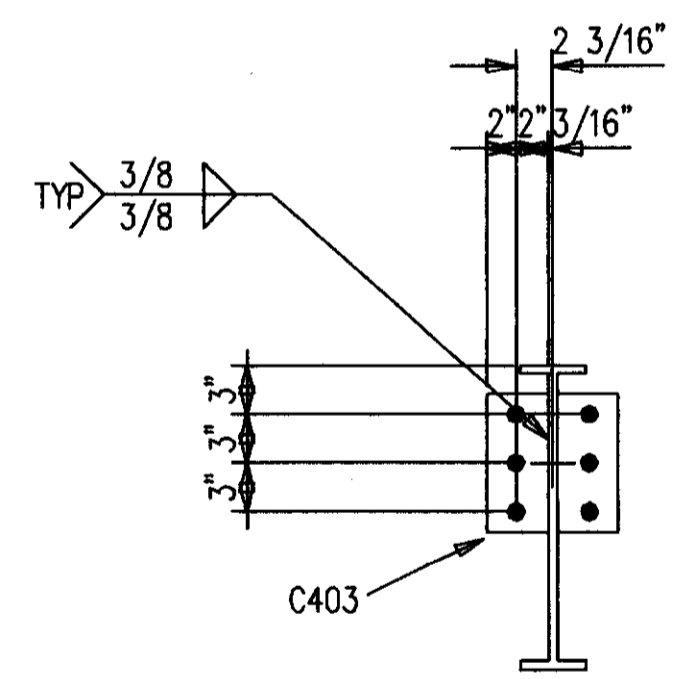


ONE-BEAM 524B2 R [AS SHOWN]  
 ONE-BEAM 524B2 L [OPP HAND]  
 16-A490 1 X 2 1/2 F1640H

**SHOP NOTES:**  
 1. ALL STEEL GETS PRIMER ONLY.  
 2. P=PRIMER ONLY AS DIMENSIONED.  
 3. NP=NO PAINT IN 3" WIDE STRIP, CENTER OF BEAM, FULL LENGTH.

**BILL OF MATERIAL**

MARK	QUAN.	DESCRIPTION	LENGTH		REMARKS
			FT.	IN.	
524B1 L	ONE	BEAM			
524B1	1	W18X40 A572	26	8-3/4	P
C403	4	FB1/2X4	0	9	P
524B1 R	ONE	BEAM			
524B1	1	W18X40 A572	26	8-3/4	P
C403	4	FB1/2X4	0	9	P
524B2 L	ONE	BEAM			
524B2	1	W21X44 A572	32	7-9/16	P
A524	1	FB1/2X4	1	3	P
C403	4	FB1/2X4	0	9	P
524B2 R	ONE	BEAM			
524B2	1	W21X44 A572	32	7-9/16	P
A524	1	FB1/2X4	1	3	P
C403	4	FB1/2X4	0	9	P
		FIELD BOLTS			
F1640H	37	A490 1X2-1/2			



**AS BUILT**  
 NAME: *Map Hughes*  
 DATE: **AUG 16 1999**

NO.	DATE	REVISION DESCRIPTION	OWN	CO

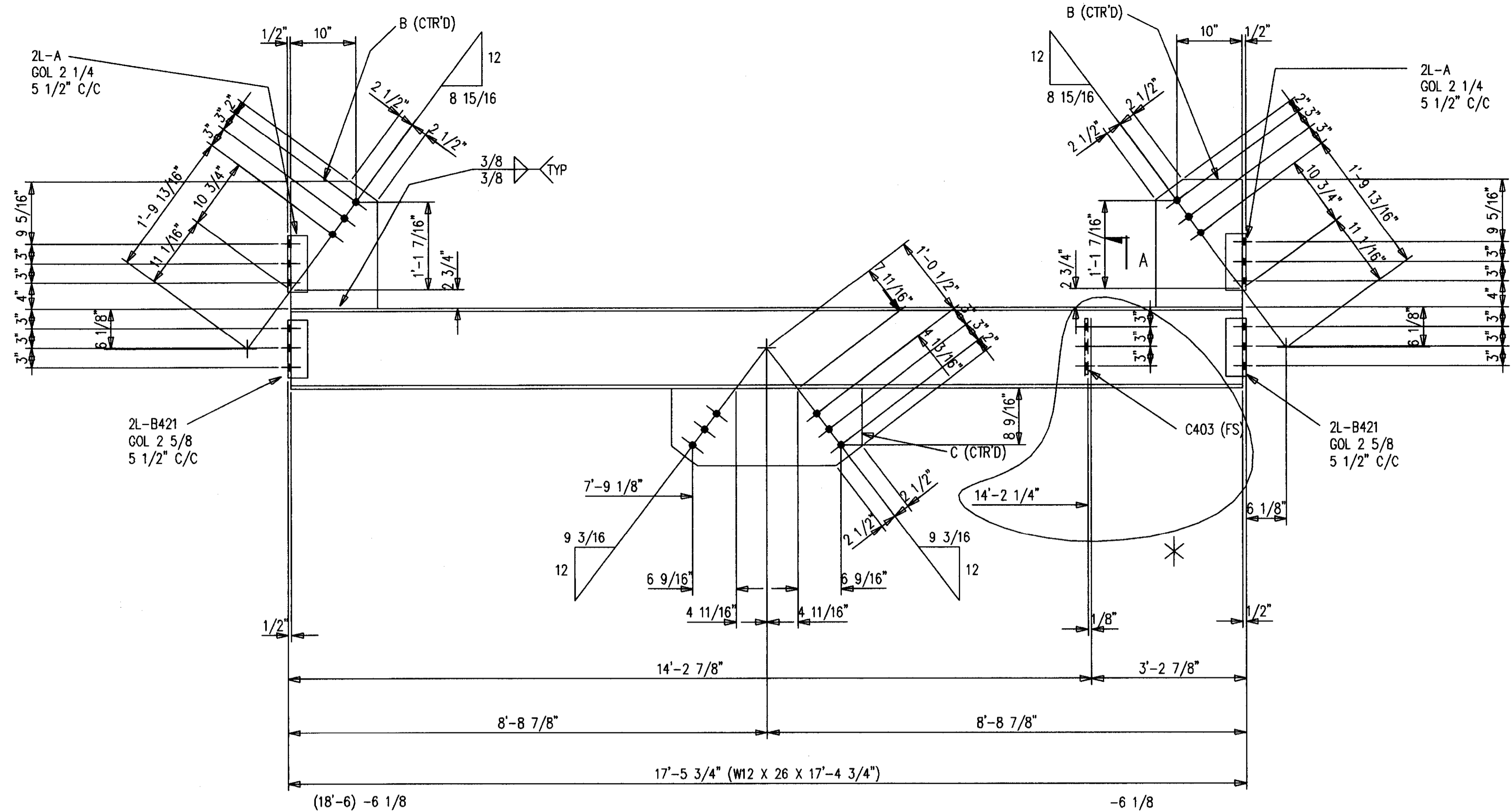
CONTRACTOR TO CHECK ALL DIMENSIONS AT JOB AS MID STATES STEEL PRODUCTS CO. ASSUMES NO RESPONSIBILITY FOR GENERAL BUILDING DIMENSIONS. NO BACK CHARGES PERTAINING TO THIS WORK WILL BE ACCEPTED WITHOUT PRIOR AUTHORIZATION BY MID STATES STEEL PRODUCTS CO.

MATERIAL U/N	A36	DRAWN BY	JDL	JOB NAME	COMMONWEALTH STADIUM EXPANSION
OPEN HOLES U/N	1 1/16φ	DATE	9/98	JOB LOCATION	UNIVERSITY OF KENTUCKY
WELD ELECTRODE U/N	E70XX	CHECKED BY	GCL	CONTRACTOR	TURNER CONSTRUCTION COMPANY
ALL A325 BOLTS w/ONE HARD WASH. AND HVY HEX NUT	SEE SPECS	DATE	9/98	ENGINEER	WALTER P. MOORE AND ASSOCIATES, INC.

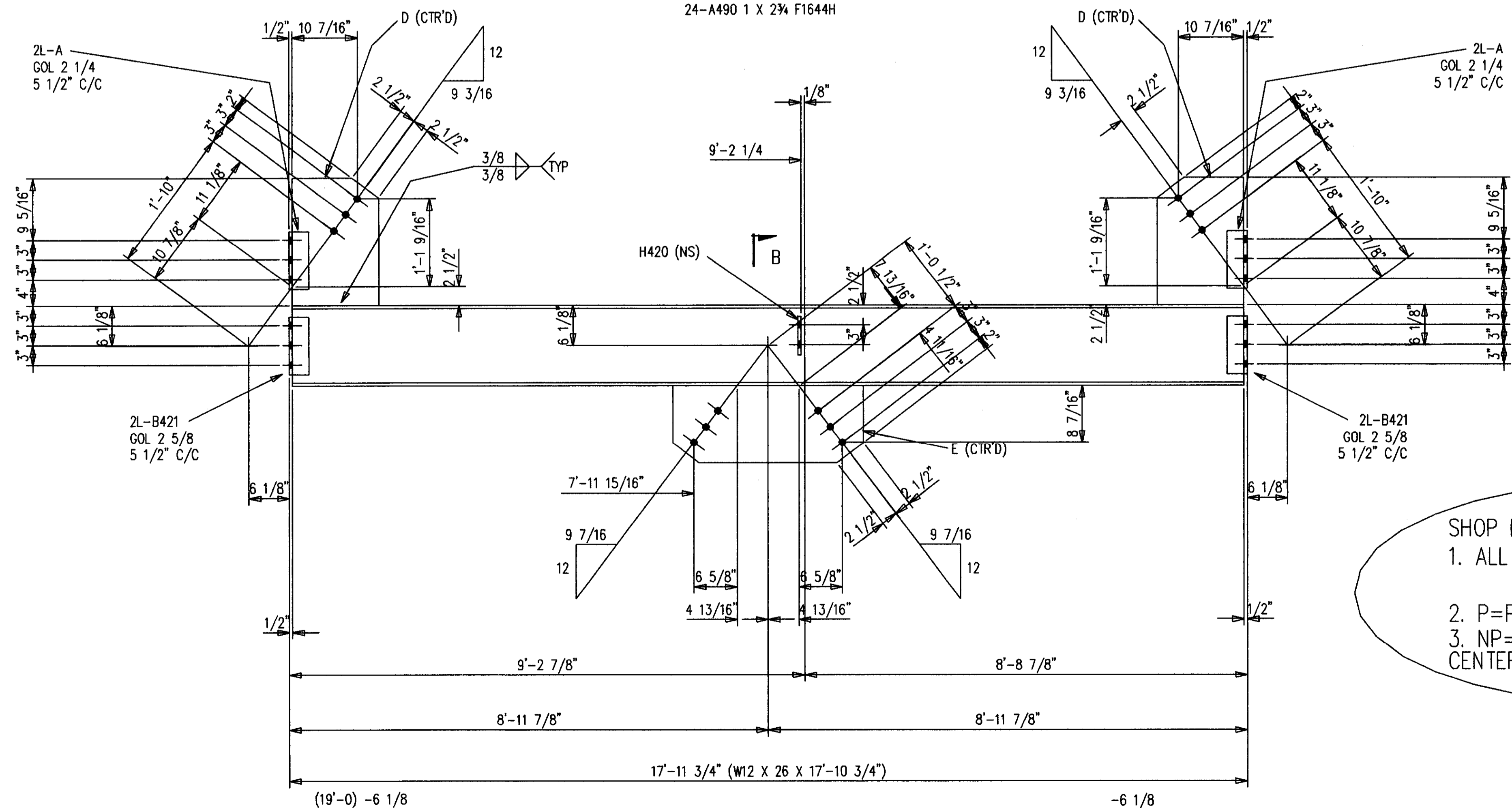
ALL RE-ENTRANT CUTS MIN. 1/2" RAD. U/N			
ALL A307 BOLTS w/HEX NUT			
DATE	APP	SHOP	FIELD

ORDER NO. **P3524**  
 SHEET NO. **524**

**MID STATES STEEL PRODUCTS CO.**  
 FABRICATORS OF STRUCTURAL AND MISCELLANEOUS STEEL  
 P.O. BOX 11128-2044 BUCK LANE  
 LEXINGTON, KENTUCKY 40511  
 PHONE: 606-233-4344 FAX: 606-233-4346



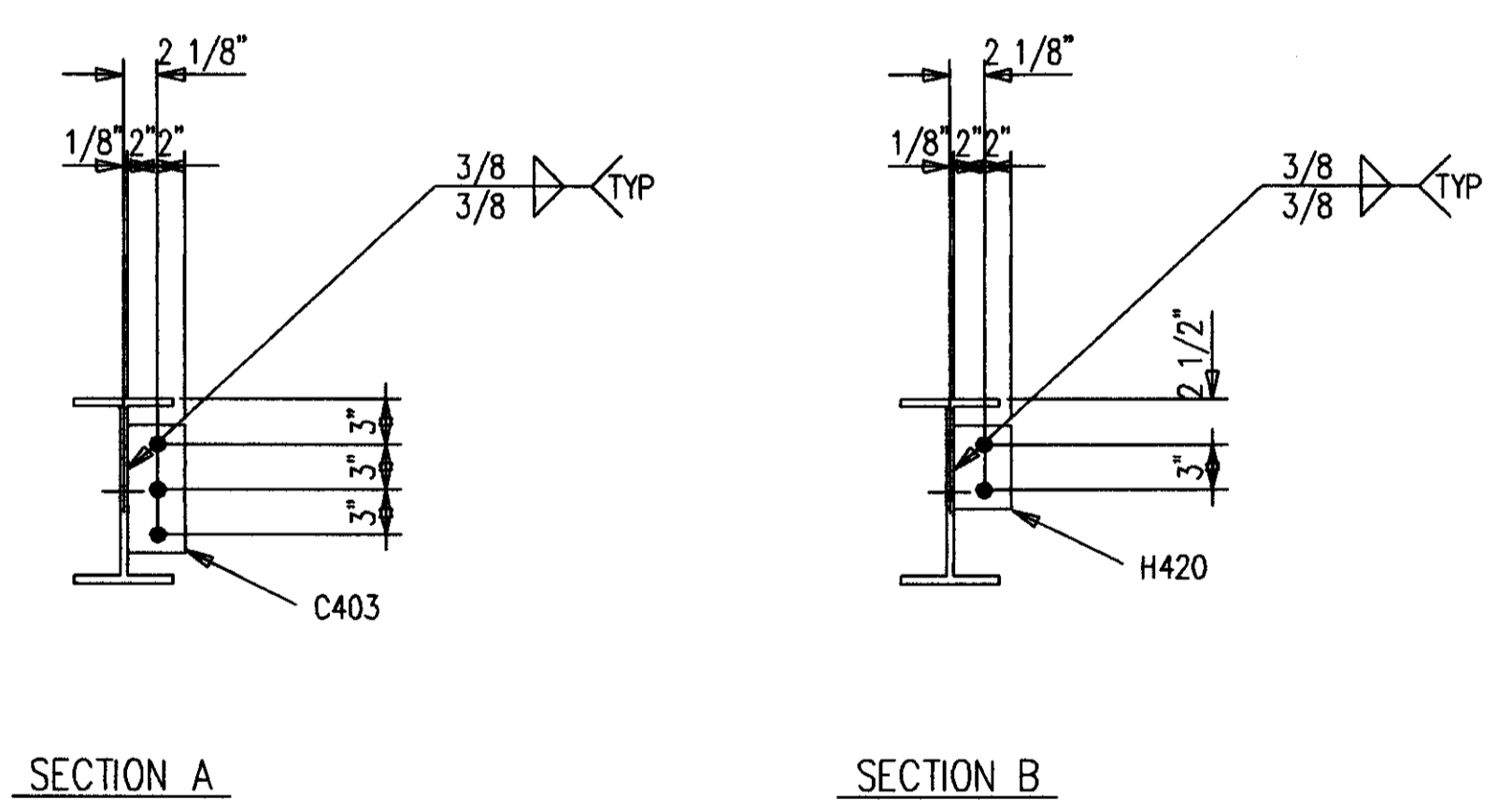
ONE-BEAM 525B1 R [AS SHOWN]  
 ONE-BEAM 525B1 L [OPP HAND]  
 24-A490 1 X 2 3/4 F1644H



ONE-BEAM 525B2 R [AS SHOWN]  
 ONE-BEAM 525B2 L [OPP HAND]  
 24-A490 1 X 2 3/4 F1644H

BILL OF MATERIAL

MARK	QUAN.	DESCRIPTION	LENGTH		REMARKS
			FT.	IN.	
<b>525B1 L</b> ONE BEAM					
525B1	1	W12X26 A572	17	4-3/4	
A525	4	L4X3X1/2	0	9	P
B421	4	L4X3X1/2	0	9	P
B525	2	PL1X13-3/16	1	7-5/16	P
C403	1	FB1/2X4	0	9	P
C525	1	PL1X11-11/16	2	4-7/8	P
<b>525B1 R</b> ONE BEAM					
525B1	1	W12X26 A572	17	4-3/4	
A525	4	L4X3X1/2	0	9	P
B421	4	L4X3X1/2	0	9	P
B525	1	PL1X13-3/16	1	7-5/16	P
C403	1	FB1/2X4	0	9	P
C525	1	PL1X11-11/16	2	4-7/8	P
<b>525B2 L</b> ONE BEAM					
525B2	1	W12X26 A572	17	10-3/4	
A525	4	L4X3X1/2	0	9	P
B421	4	L4X3X1/2	0	9	P
D525	2	PL1X13-5/8	1	7-1/8	P
E525	1	PL1X11-9/16	2	5-1/4	P
H420	1	FB1/2X4	0	6	P
<b>525B2 R</b> ONE BEAM					
525B2	1	W12X26 A572	17	10-3/4	
A525	4	L4X3X1/2	0	9	P
B421	4	L4X3X1/2	0	9	P
D525	2	PL1X13-5/8	1	7-1/8	P
E525	1	PL1X11-9/16	2	5-1/4	P
H420	1	FB1/2X4	0	6	P
<b>FIELD BOLTS</b>					
F1644H	49	A490 1X2-3/4			



SHOP NOTES:  
 1. ALL STEEL GETS PRIMER ONLY.  
 2. P=PRIMER ONLY AS DIMENSIONED.  
 3. NP=NO PAINT IN 3" WIDE STRIP, CENTER OF BEAM, FULL LENGTH.

AS BUILT  
 NAME: *Max Hughes*  
 DATE: AUG 16 1999

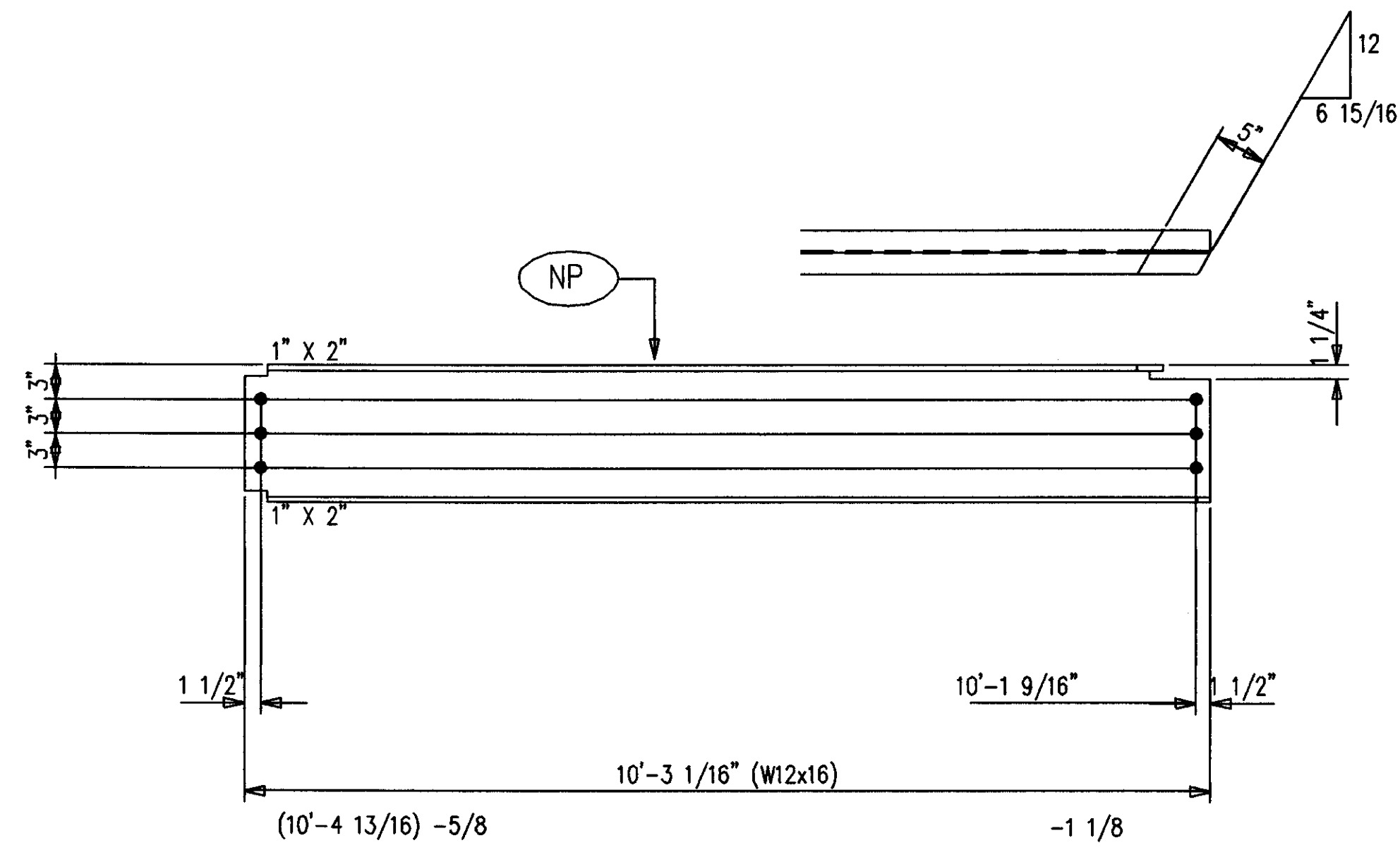
NO.	DATE	REVISION DESCRIPTION	DRAWN	CHKD	
CONTRACTOR TO CHECK ALL DIMENSIONS AT JOB AS MID STATES STEEL PRODUCTS CO. ASSUMES NO RESPONSIBILITY FOR GENERAL BUILDING DIMENSIONS. NO BACK CHARGES PERTAINING TO THIS WORK WILL BE ACCEPTED WITHOUT PRIOR AUTHORIZATION BY MID STATES STEEL PRODUCTS CO.					
MATERIAL U/N	A36	DRAWN BY	JDL	JOB NAME	COMMONWEALTH STADIUM EXPANSION
OPEN HOLES U/N	1 1/16	DATE	9/98	JOB LOCATION	UNIVERSITY OF KENTUCKY
WELD ELECTRODE U/N	E70XX	CHECKED BY	GCL	CONTRACTOR	TURNER CONSTRUCTION COMPANY
SHOP PAINT	SEE SPECS	DATE	9/98	ENGINEER	WALTER P. MOORE AND ASSOCIATES, INC.
DRAWING TITLE	BEAMS				

DATE	APP	SHOP	FIELD

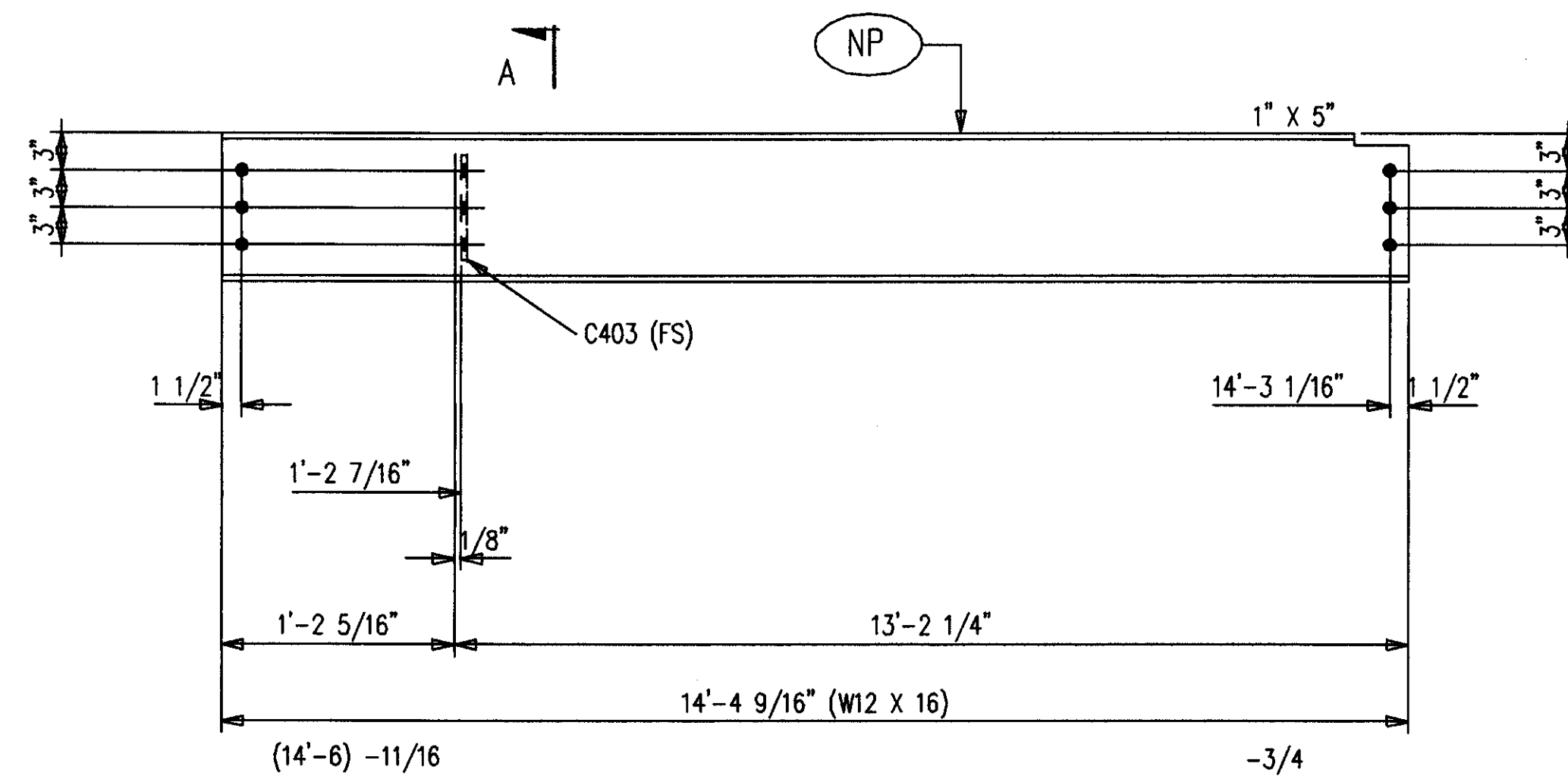
MID STATES STEEL PRODUCTS CO.  
 FABRICATORS OF STRUCTURAL AND MISCELLANEOUS STEEL  
 P.O. BOX 11128-2044 BUCK LANE  
 LEXINGTON, KENTUCKY 40511  
 PHONE: 606-233-4344 FAX: 606-233-4346

ORDER NO.  
 P3524  
 SHEET NO.  
 525

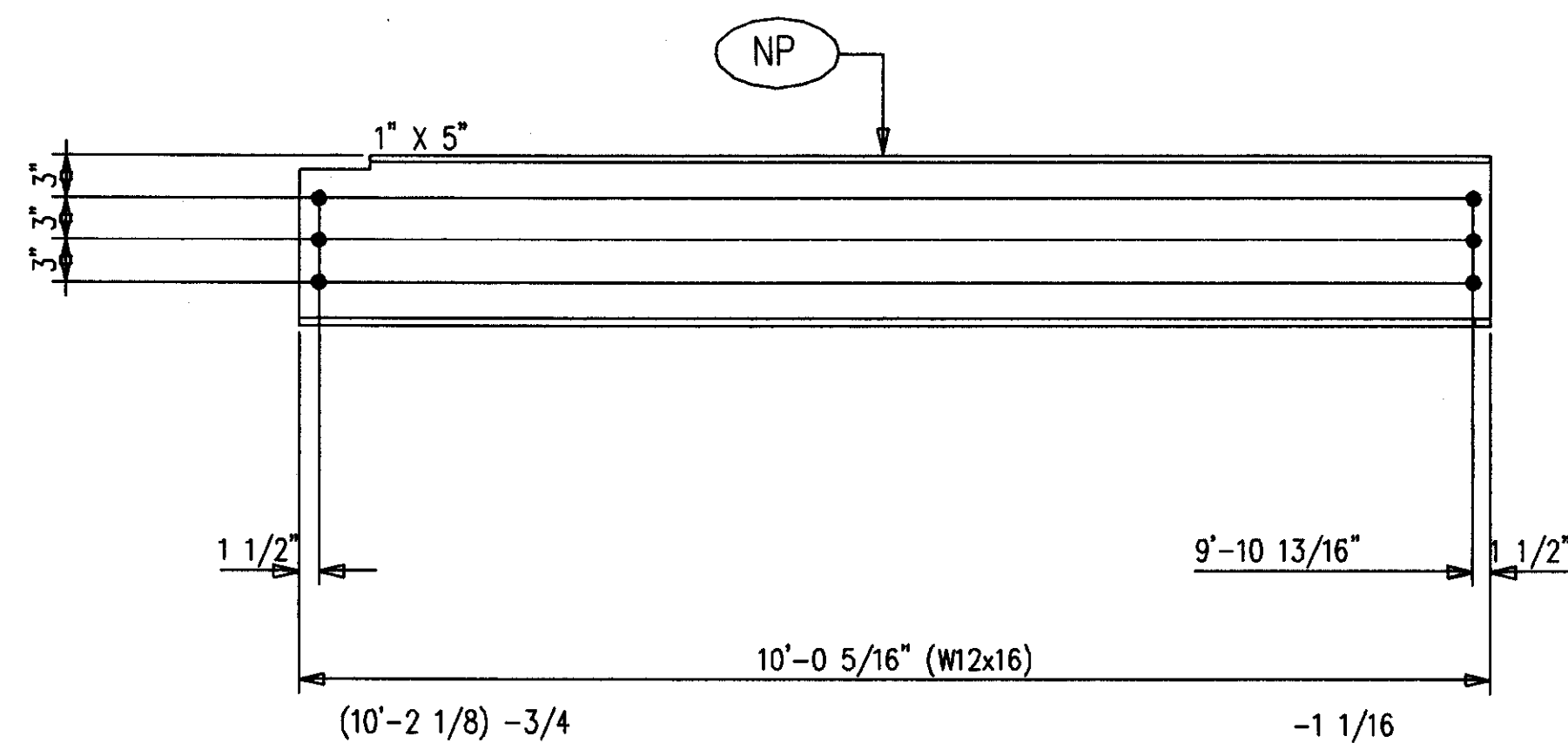
Document # 34855  
 Cab # Slot 206 C-2



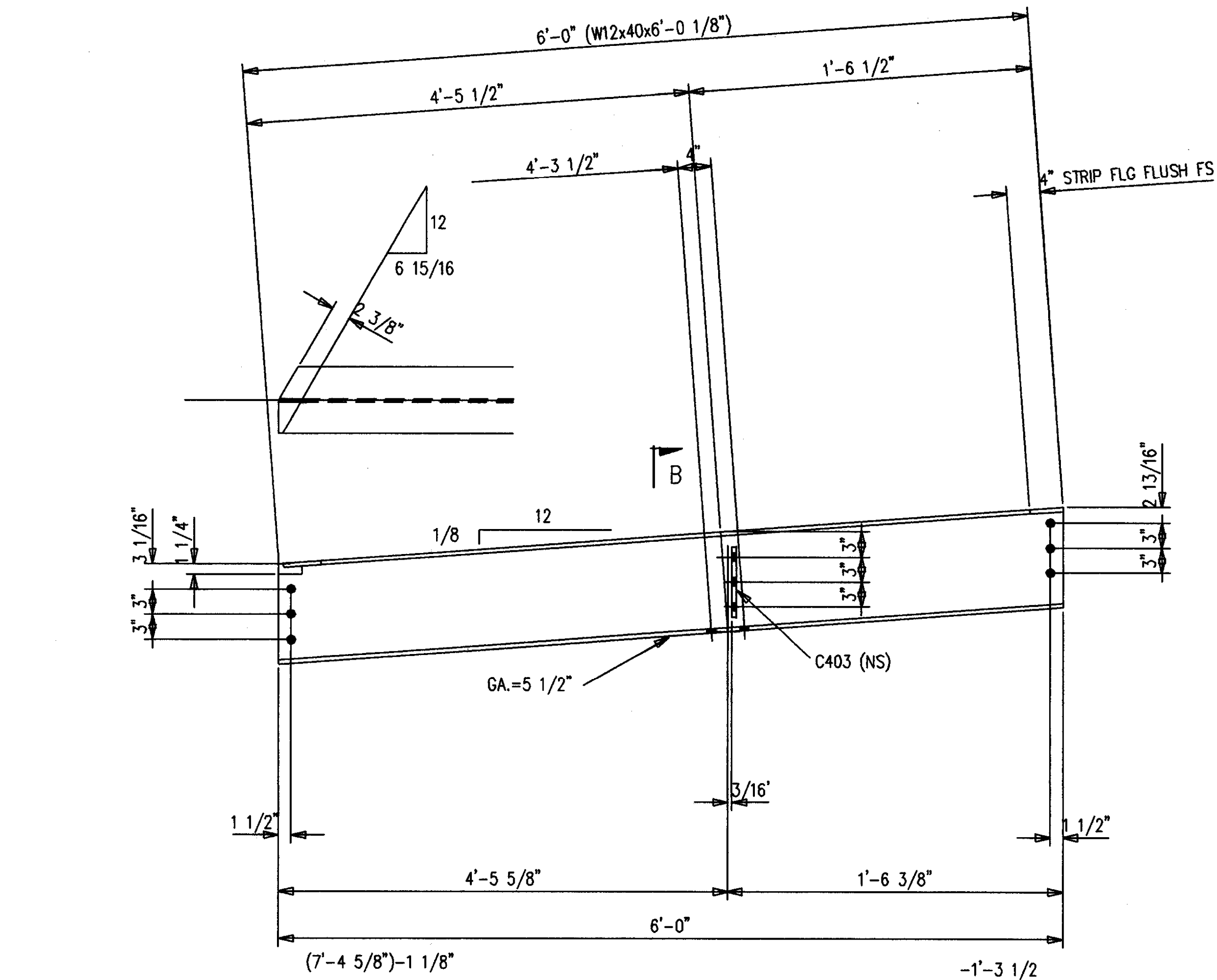
ONE-BEAM 526B1 R [AS SHOWN]  
ONE-BEAM 526B1 L [OPP HAND]  
12-A490 1 X 2 1/4 F1636H



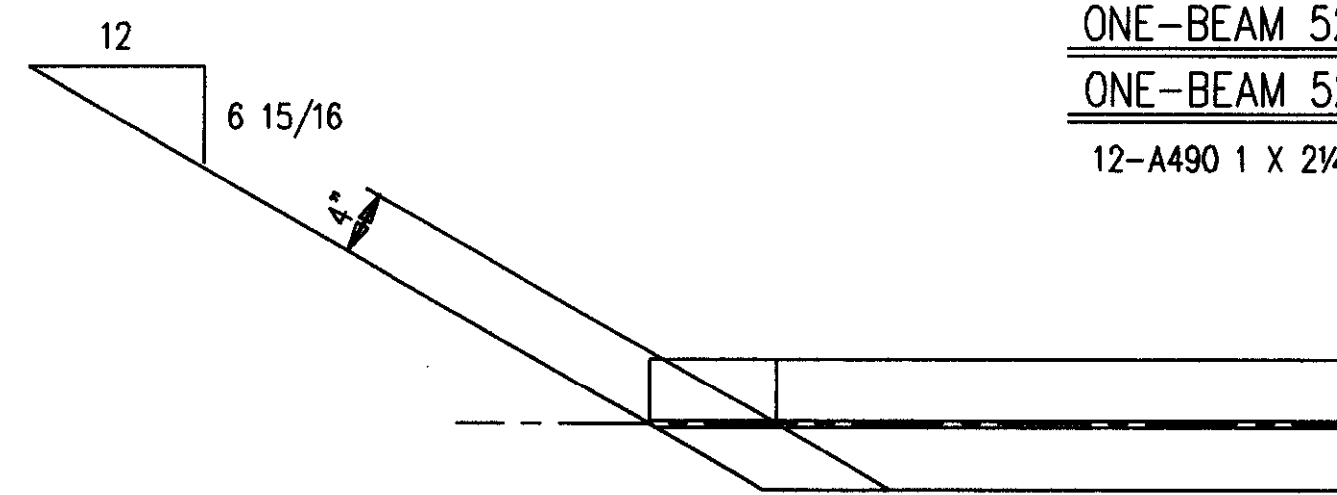
ONE-BEAM 526B2 R [AS SHOWN]  
ONE-BEAM 526B2 L [OPP HAND]  
12-A490 1 X 2 1/4 F1636H



2-BEAMS 526B3  
12-A490 1 X 2 1/4 F1636H



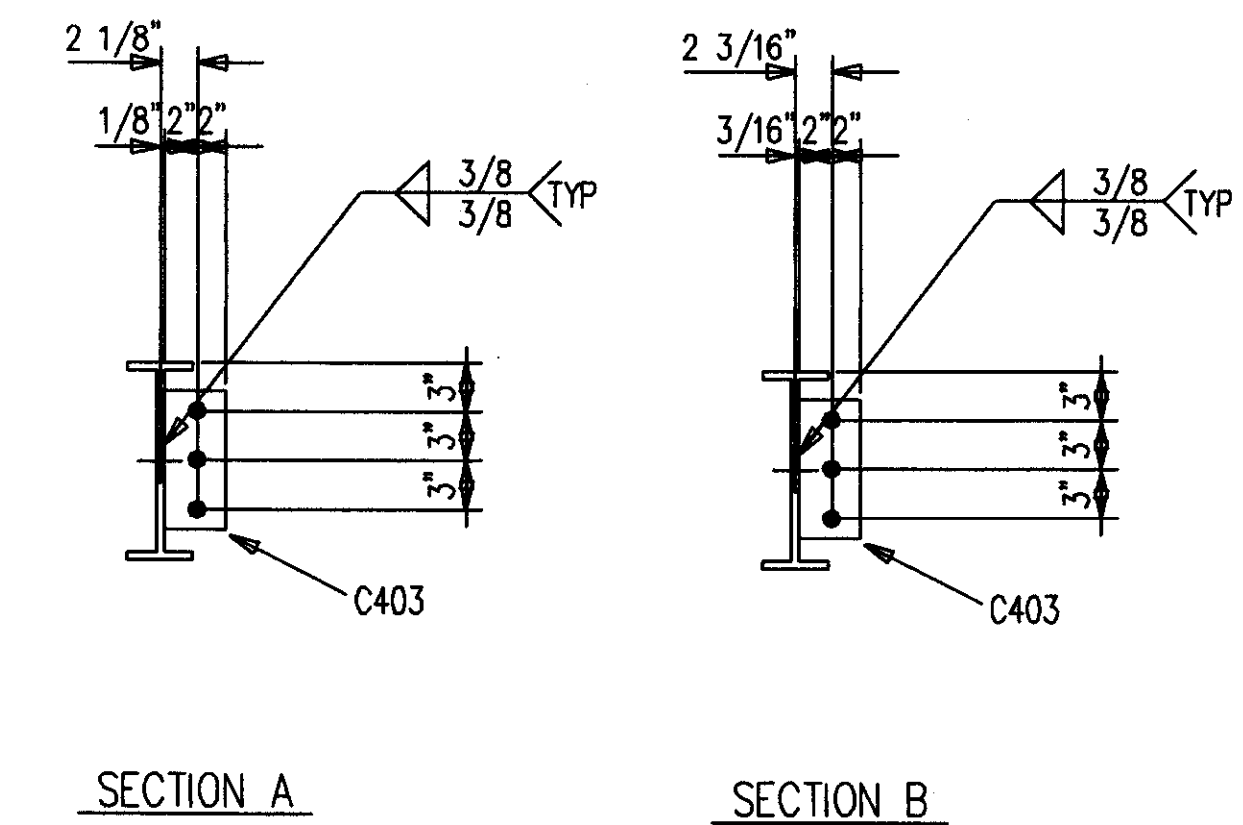
ONE-BEAM 526B4 R [AS SHOWN]  
ONE-BEAM 526B4 L [OPP HAND]  
12-A490 1 X 2 1/4 F1636H



ONE-BEAM 526B5 R [AS SHOWN]  
ONE-BEAM 526B5 L [OPP HAND]  
12-A490 1 X 2 1/4 F1636H

BILL OF MATERIAL

MARK	QUAN.	DESCRIPTION	LENGTH		REMARKS
			FT.	IN.	
526B1 L	ONE	BEAM			
526B1	1	W12X16 A572	10	3-1/16	BC1E/P
526B1 R	ONE	BEAM			
526B1	1	W12X16 A572	10	3-1/16	BC1E/P
526B2 L	ONE	BEAM			
526B2	1	W12X16 A572	14	4-9/16	P
C403	1	FB1/2X4	0	9	P
526B2 R	ONE	BEAM			
526B2	1	W12X16 A572	14	4-9/16	P
C403	1	FB1/2X4	0	9	P
526B3	2	BEAMS			
526B3	2	W12X16 A572	10	0-5/16	P
526B4 L	ONE	BEAM			
526B4	1	W12X40 A572	6	0-1/8	P
C403	1	FB1/2X4	0	9	P
526B4 R	ONE	BEAM			
526B4	1	W12X40 A572	6	0-1/8	P
C403	1	FB1/2X4	0	9	P
526B5 L	ONE	BEAM			
526B5	1	W12X40 A572	5	3-1/2	BC1E/P
526B5 R	ONE	BEAM			
526B5	1	W12X40 A572	5	3-1/2	BC1E/P
		FIELD BOLTS			
F1636H	61	A490 1X2-1/4			



- SHOP NOTES:
- ALL STEEL GETS PRIMER ONLY.
  - P=PRIMER ONLY AS DIMENSIONED.
  - NP=NO PAINT IN 3" WIDE STRIP, CENTER OF BEAM, FULL LENGTH.

AS BUILT  
NAME: *Map Hughes*  
DATE: AUG 16 1998

DATE	APP	SHOP	FIELD

NO.	DATE	REVISION DESCRIPTION	DMN	CRD

CONTRACTOR TO CHECK ALL DIMENSIONS AT JOB AS MID STATES STEEL PRODUCTS CO. ASSUMES NO RESPONSIBILITY FOR GENERAL BUILDING DIMENSIONS. NO BACK CHARGES PERTAINING TO THIS WORK WILL BE ACCEPTED WITHOUT PRIOR AUTHORIZATION BY MID STATES STEEL PRODUCTS CO.

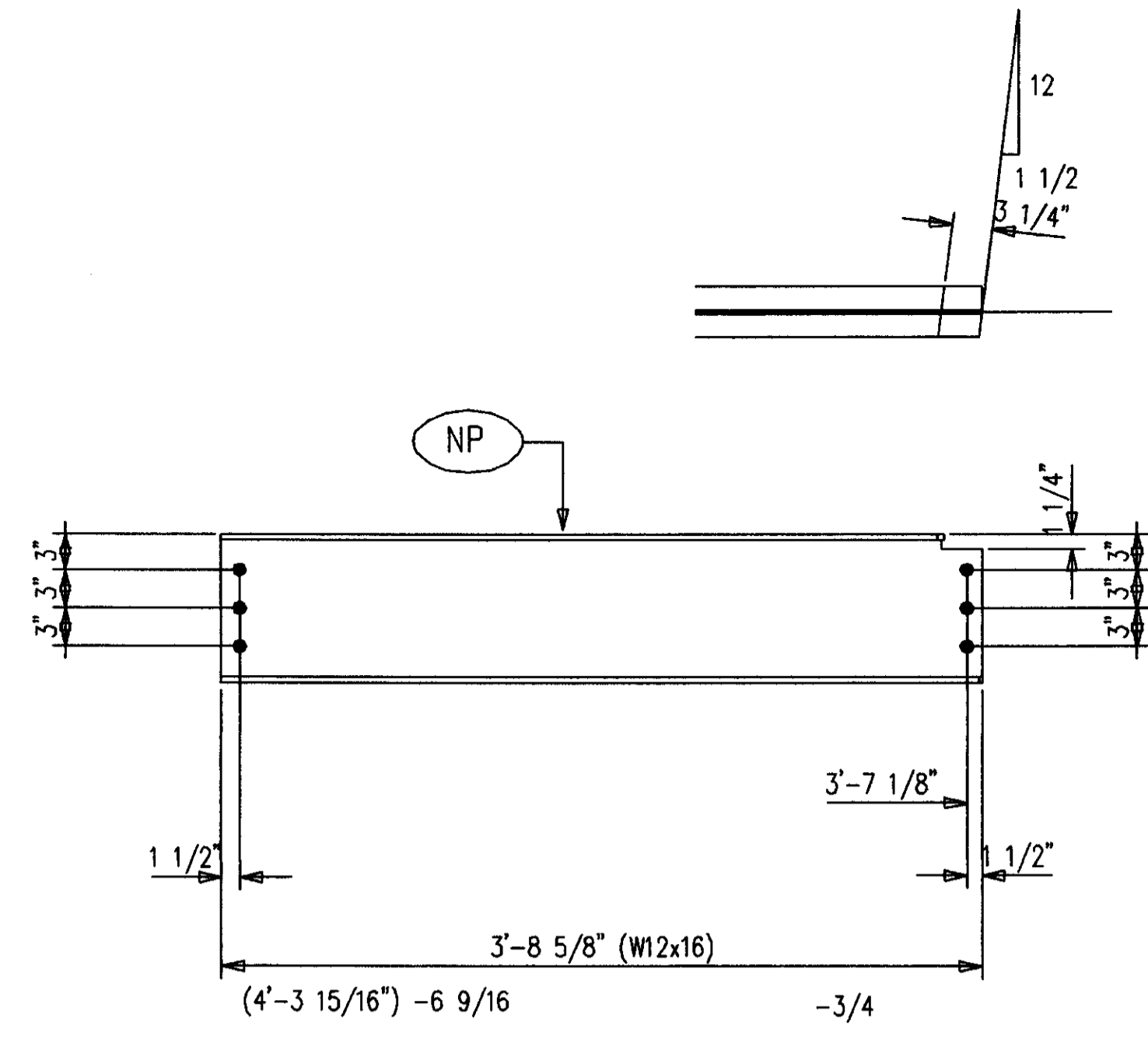
MATERIAL U/W	A36	DRAWN BY	JDL	JOB NAME	COMMONWEALTH STADIUM EXPANSION
OPEN HOLES U/W	1 1/16	DATE	9/98	JOB LOCATION	UNIVERSITY OF KENTUCKY
WELD ELECTRODE U/W	E70XX	CHECKED BY	GCL	CONTRACTOR	TURNER CONSTRUCTION COMPANY
SHOP PAINT	SEE SPECS	DATE	9/98	ENGINEER	WALTER P. MOORE AND ASSOCIATES, INC.
DRAWING TITLE	BEAMS				

P.O. BOX 11128-2044 BUCK LANE  
LEXINGTON, KENTUCKY 40511  
PHONE: 606-233-4344 FAX: 606-233-4346

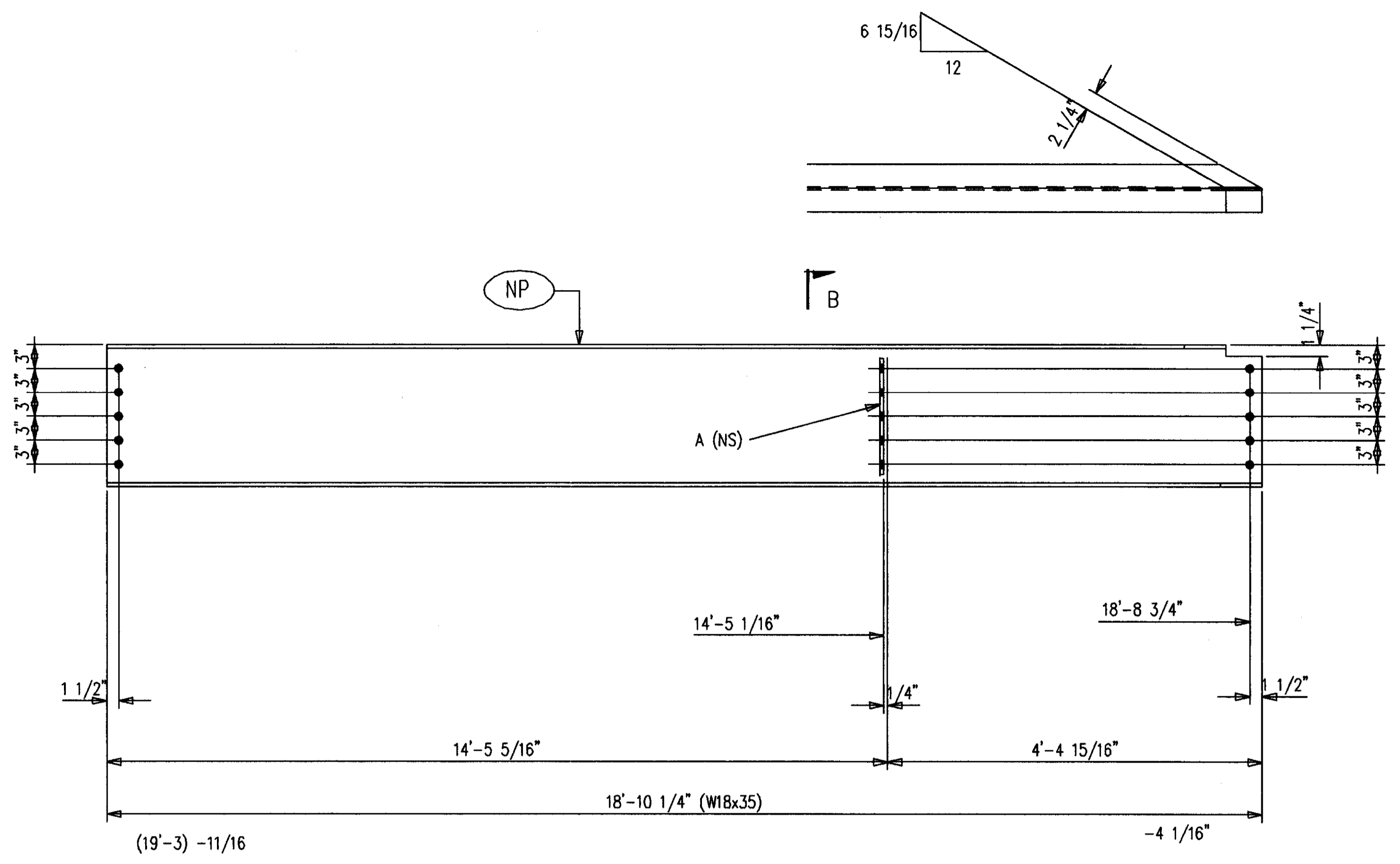
ORDER NO. P3524  
SHEET NO. 526  
FABRICATORS OF STRUCTURAL AND MISCELLANEOUS STEEL

### BILL OF MATERIAL

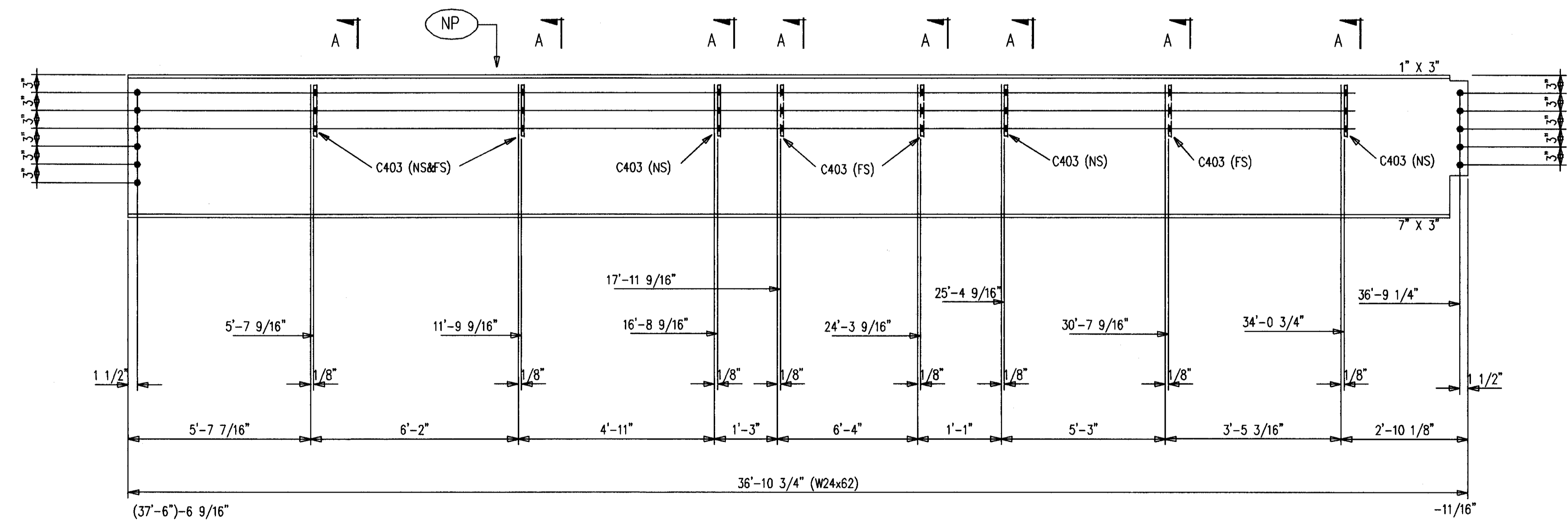
MARK	QUAN.	DESCRIPTION	LENGTH		REMARKS
			FT.	IN.	
527B1 L	ONE	BEAM			
527B1	1	W12X16 A572	3	8-5/8	BC1E/P
527B1 R	ONE	BEAM			
527B1	1	W12X16 A572	3	8-5/8	BC1E/P
527B2 L	ONE	BEAM			
527B2	1	W24X62 A572	36	10-3/4	P
C403	10	FB1/2X4	0	9	P
527B2 R	ONE	BEAM			
527B2	1	W24X62 A572	36	10-3/4	P
C403	10	FB1/2X4	0	9	P
527B3 L	ONE	BEAM			
527B3	1	W18X35 A572	18	10-1/4	BC1E/P
A527	1	FB1/2X4	1	3	P
527B3 R	ONE	BEAM			
527B3	1	W18X35 A572	18	10-1/4	BC1E/P
A527	1	FB1/2X4	1	3	P
		FIELD BOLTS			
F1636H	13	A490 1X2-1/4			
F1640H	43	A490 1X2-1/2			



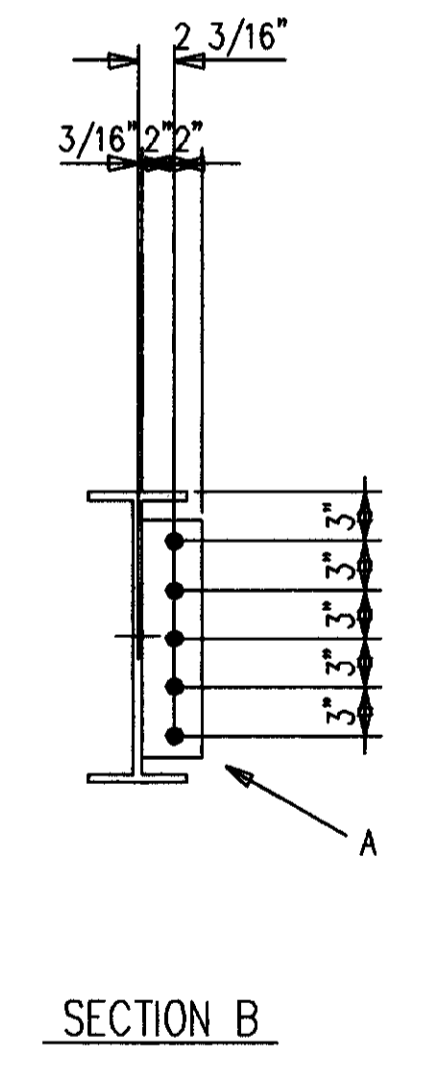
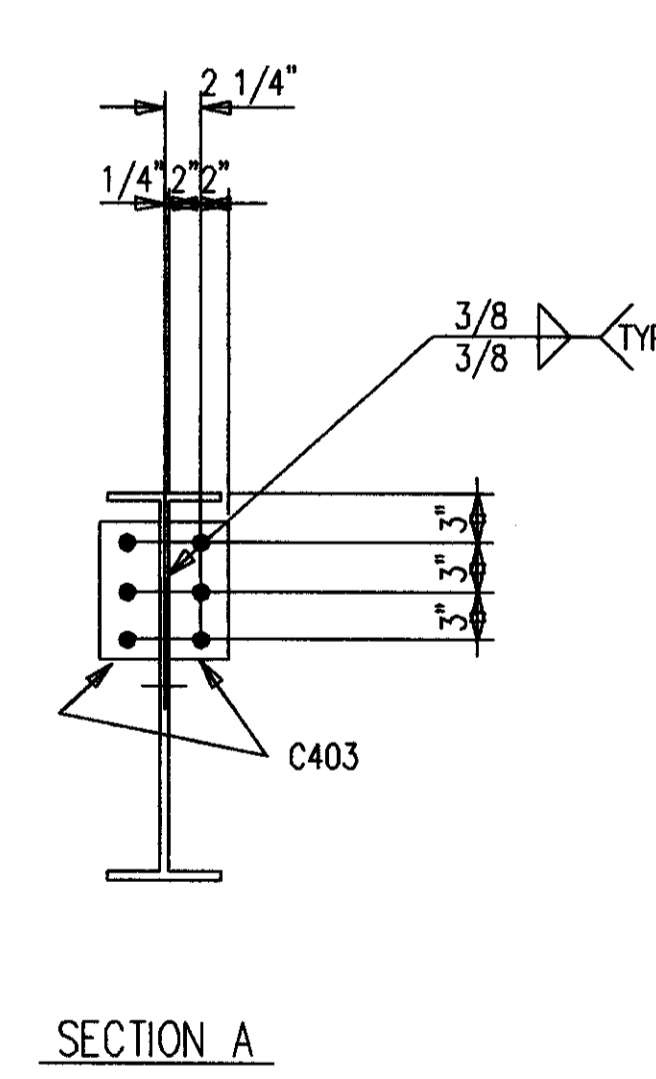
ONE-BEAM 527B1 R [AS SHOWN]  
ONE-BEAM 527B1 L [OPP HAND]  
12-A490 1 X 2 1/4 F1636H



ONE-BEAM 527B3 R [AS SHOWN]  
ONE-BEAM 527B3 L [OPP HAND]  
20-A490 1 X 2 1/2 F1640H



ONE-BEAM 527B2 R [AS SHOWN]  
ONE-BEAM 527B2 L [OPP HAND]  
22-A490 1 X 2 1/2 F1640H



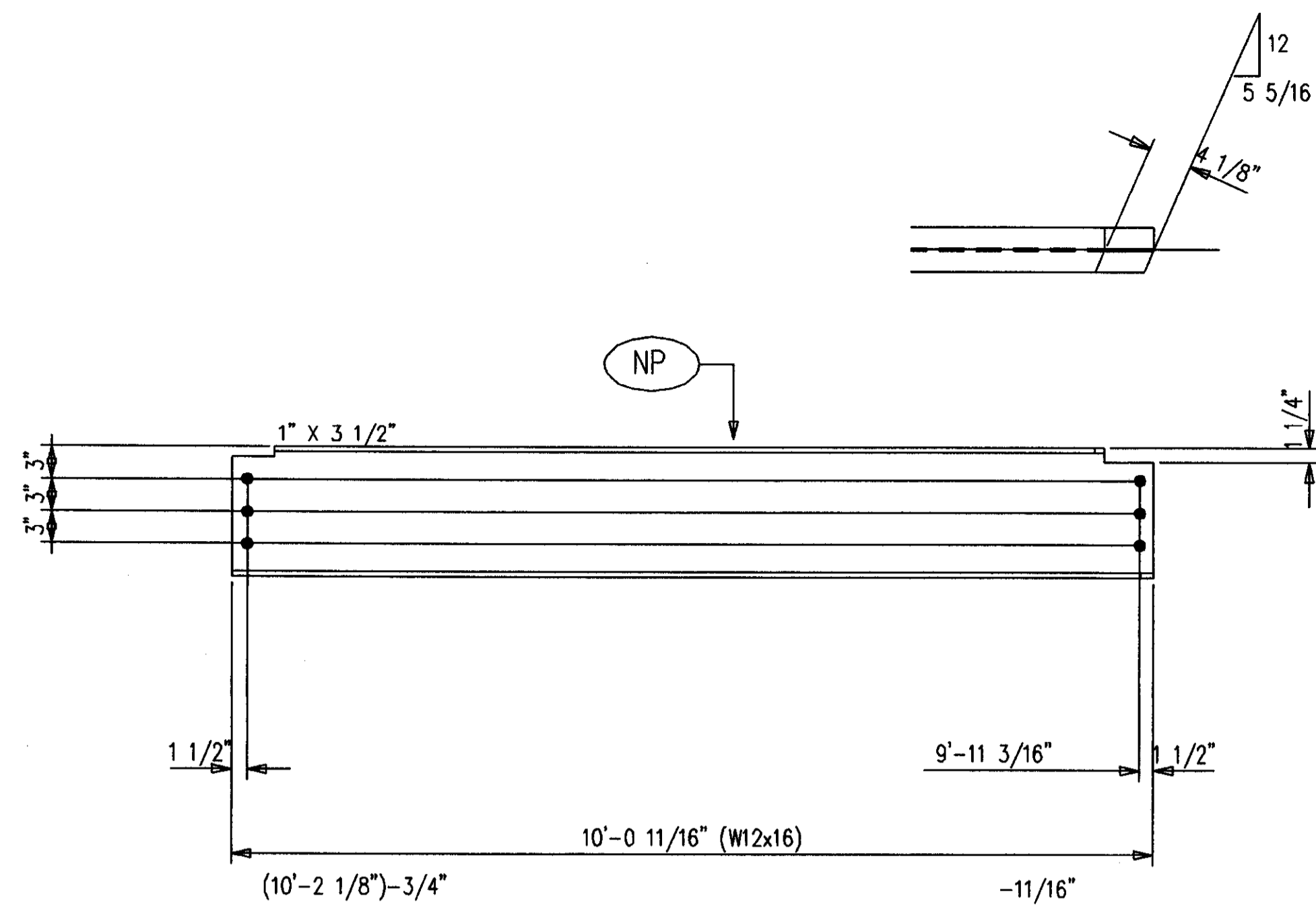
**AS BUILT**  
NAME: *Map Hughes*  
DATE: **AUG 16 1998**

SHOP NOTES:  
1. ALL STEEL GETS PRIMER ONLY.  
2. P=PRIMER ONLY AS DIMENSIONED.  
3. NP=NO PAINT IN 3\"/>

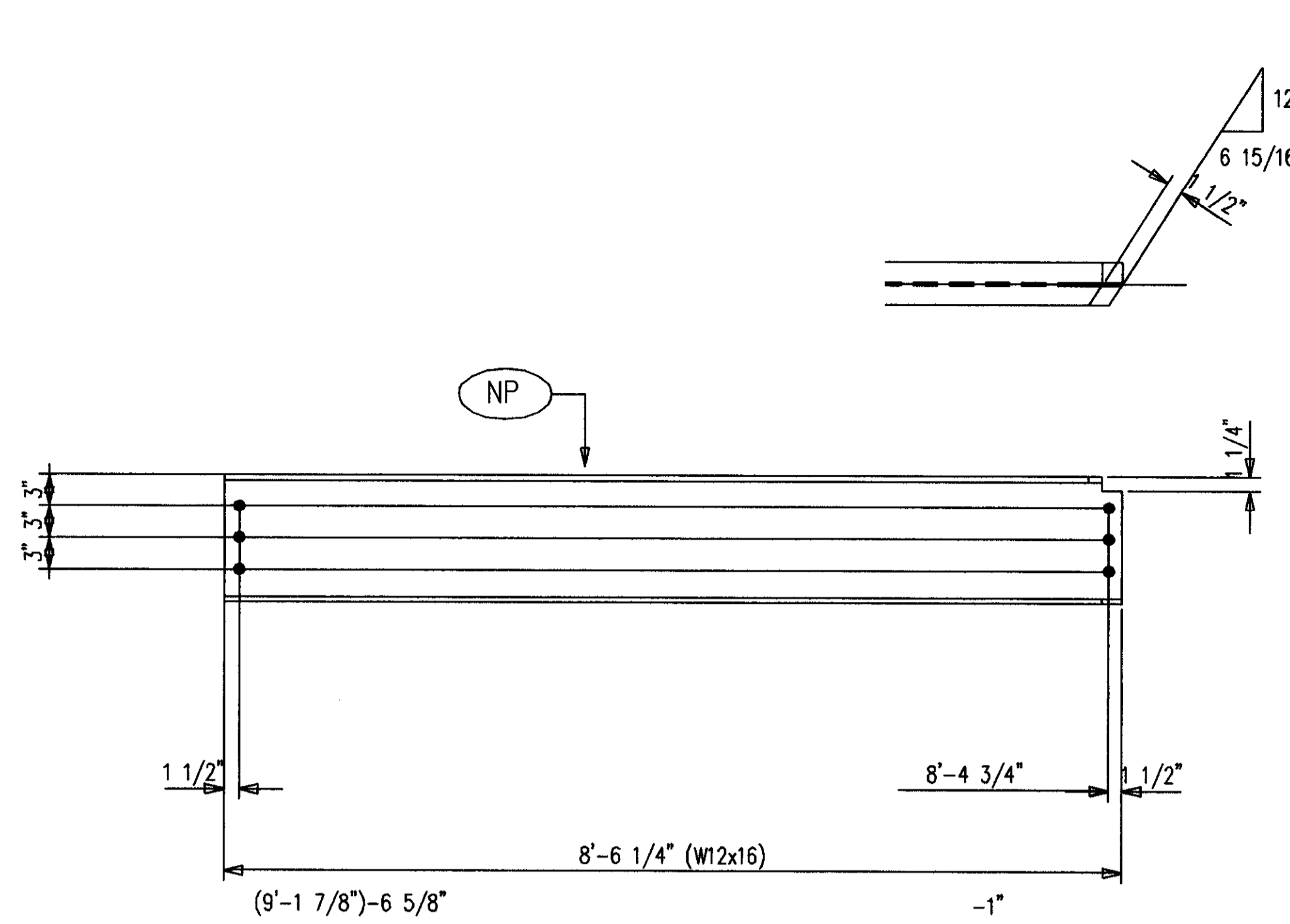
NO.		DATE	REVISION DESCRIPTION	DRAWN	CHKD
CONTRACTOR TO CHECK ALL DIMENSIONS AT JOB AS MID STATES STEEL PRODUCTS CO. ASSUMES NO RESPONSIBILITY FOR GENERAL BUILDING DIMENSIONS. NO BACK CHARGES PERTAINING TO THIS WORK WILL BE ACCEPTED WITHOUT PRIOR AUTHORIZATION BY MID STATES STEEL PRODUCTS CO.					
MATERIAL U/N	A36	DRAWN BY	JDL	JOB NAME	COMMONWEALTH STADIUM EXPANSION
OPEN HOLES U/N	1 1/16"	DATE	9/98	JOB LOCATION	UNIVERSITY OF KENTUCKY
WELD ELECTRODE U/N	E70XX	CHECKED BY	GCL	CONTRACTOR	TURNER CONSTRUCTION COMPANY
SHOP PAINT	SEE SPECS	DATE	9/98	ENGINEER	WALTER P. MOORE AND ASSOCIATES, INC.
DRAWING TITLE	BEAMS				
DATE	APP	SHOP	FIELD	ORDER NO. P3524	
				SHEET NO. 527	

P.O. BOX 11128-2044 BUCK LANE  
LEXINGTON, KENTUCKY 40511  
PHONE: 606-233-4344 FAX: 606-233-4346

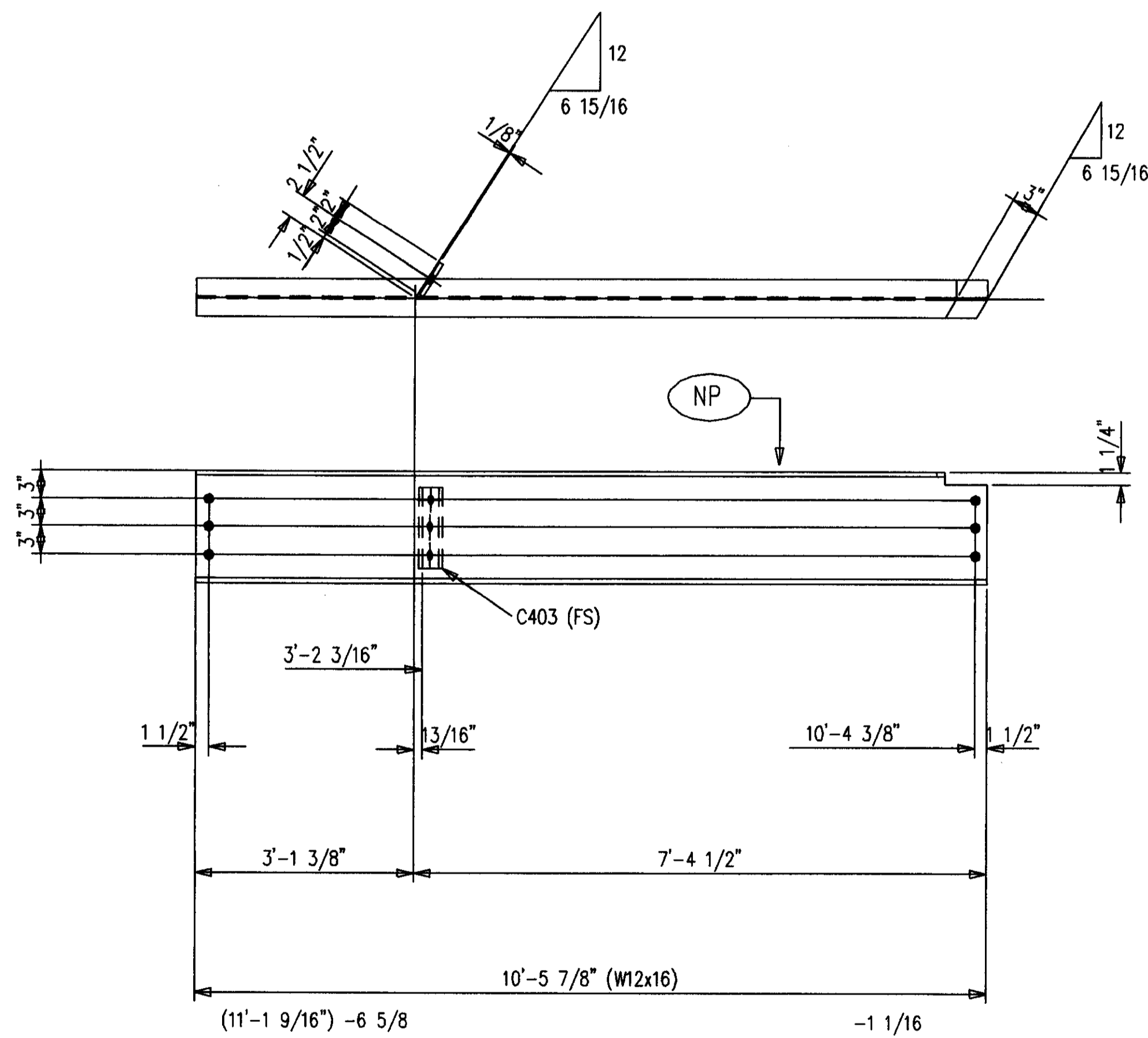
FABRICATORS OF STRUCTURAL AND MISCELLANEOUS STEEL



ONE-BEAM 528B1 R [AS SHOWN]  
 ONE-BEAM 528B1 L [OPP HAND]  
 12-A490 1 X 2 1/4 F1636H



ONE-BEAM 528B3 R [AS SHOWN]  
 ONE-BEAM 528B3 L [OPP HAND]  
 12-A490 1 X 2 1/4 F1636H



ONE-BEAM 528B2 R [AS SHOWN]  
 ONE-BEAM 528B2 L [OPP HAND]  
 12-A490 1 X 2 1/4 F1636H

BILL OF MATERIAL

MARK	QUAN.	DESCRIPTION	LENGTH		REMARKS
			FT.	IN.	
528B1 L	ONE	BEAM			
528B1	1	W12X16 A572	10	0-11/16	BC1E/P
528B1 R	ONE	BEAM			
528B1	1	W12X16 A572	10	0-11/16	BC1E/P
528B2 L	ONE	BEAM			
528B2	1	W12X16 A572	10	5-7/8	BC1E/P
C403	1	FB1/2X4	0	9	P
528B2 R	ONE	BEAM			
528B2	1	W12X16 A572	10	5-7/8	BC1E/P
C403	1	FB1/2X4	0	9	P
528B3 L	ONE	BEAM			
528B3	1	W12X16 A572	8	6-1/4	BC1E/P
528B3 R	ONE	BEAM			
528B3	1	W12X16 A572	8	6-1/4	BC1E/P
F1636H	37	FIELD BOLTS A490 1X2-1/4			

AS BUILT  
 NAME *Max Hughes*  
 DATE: AUG 16 1999

SHOP NOTES:  
 1. ALL STEEL GETS PRIMER ONLY.  
 2. P=PRIMER ONLY AS DIMENSIONED.  
 3. NP=NO PAINT IN 3" WIDE STRIP, CENTER OF BEAM, FULL LENGTH.

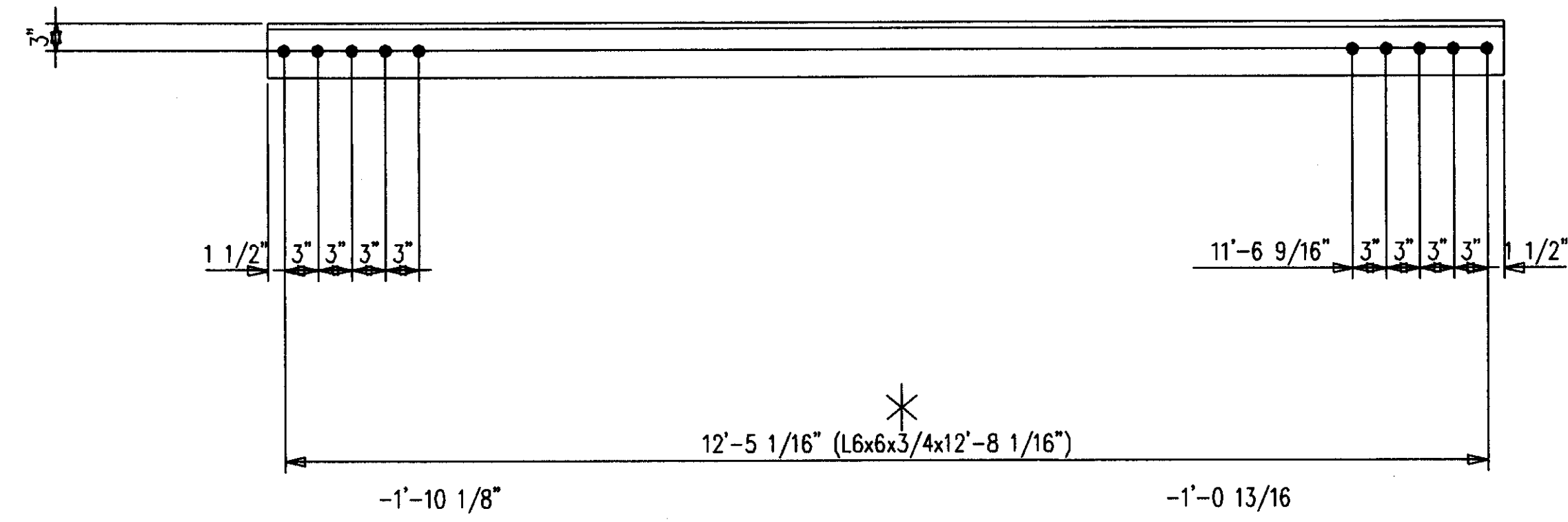
ALL RE-ENTRANT CUTS MIN. 1/2" RAD. U/N	WELD ELECTRODE E70XX	CHECKED BY GCL	DATE 9/98	CONTRACTOR TURNER CONSTRUCTION COMPANY
ALL A325 BOLTS w/ONE HARD WASH. AND HWY HEX NUT	SHOP PAINT SEE SPECS	DATE 9/98	ENGINEER WALTER P. MOORE AND ASSOCIATES, INC.	
ALL A307 BOLTS w/HEX NUT	DRAWING TITLE: BEAMS			
DATE	APP	SHOP	FIELD	

MID STATES STEEL PRODUCTS CO.  
 FABRICATORS OF STRUCTURAL AND MISCELLANEOUS STEEL

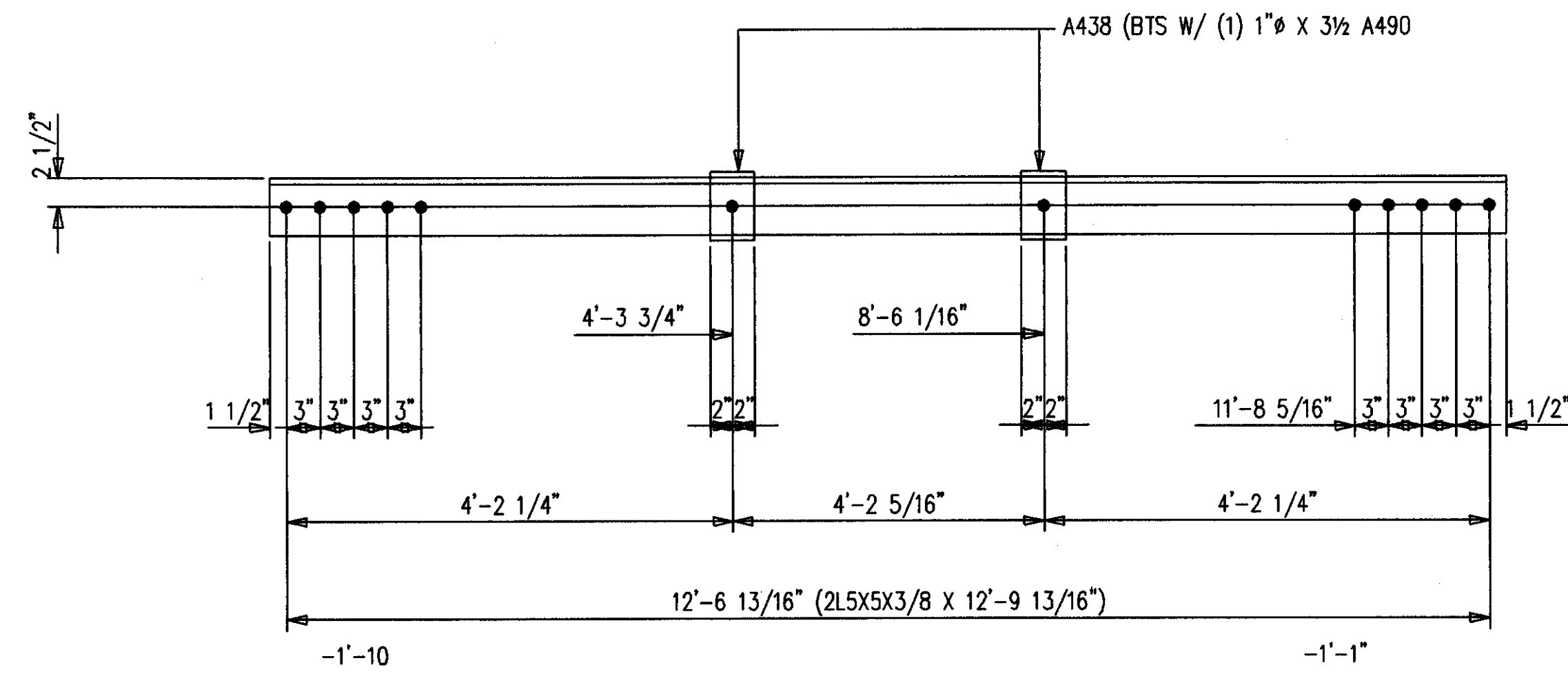
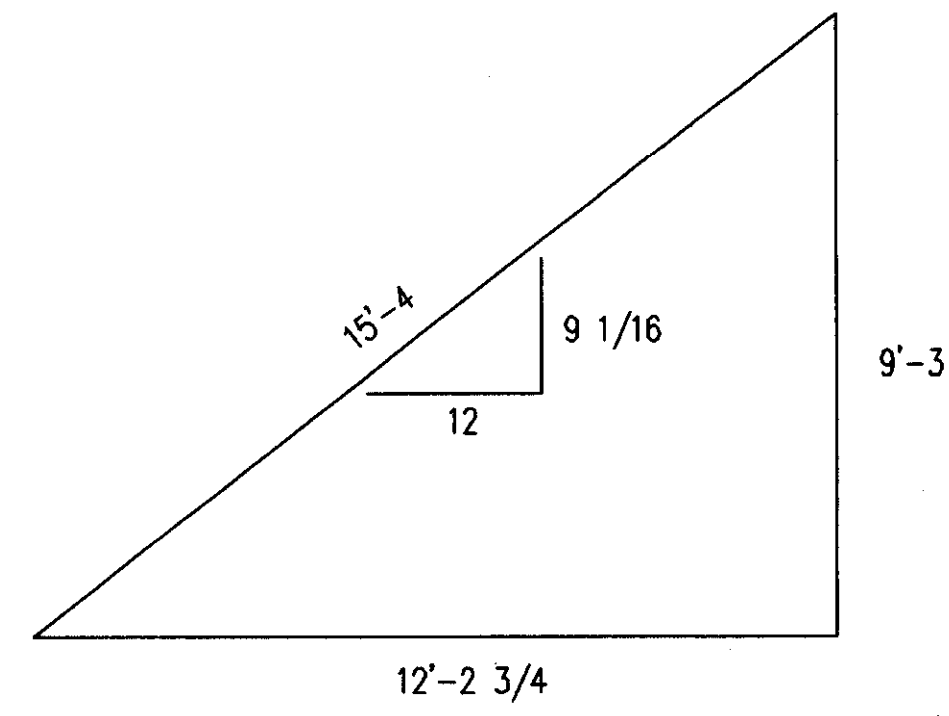
P.O. BOX 11128-2044 BUCK LANE  
 LEXINGTON, KENTUCKY 40511  
 PHONE: 606-253-4344 FAX: 606-233-4346

ORDER NO. P3524  
 SHEET NO. 528

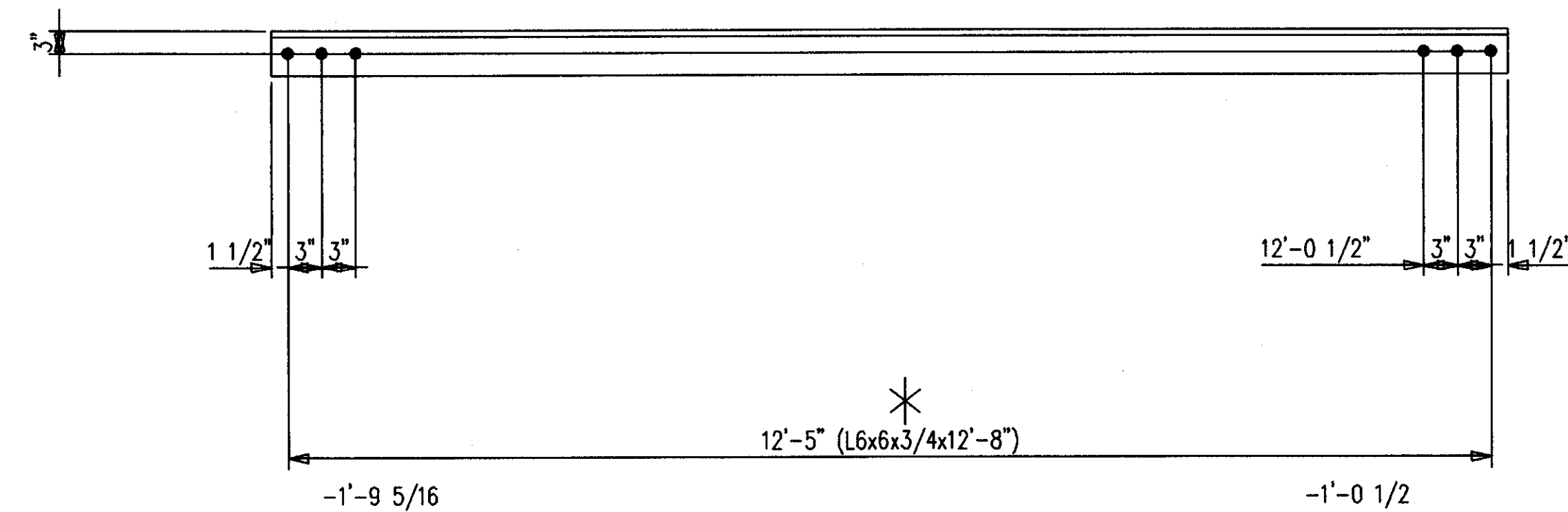
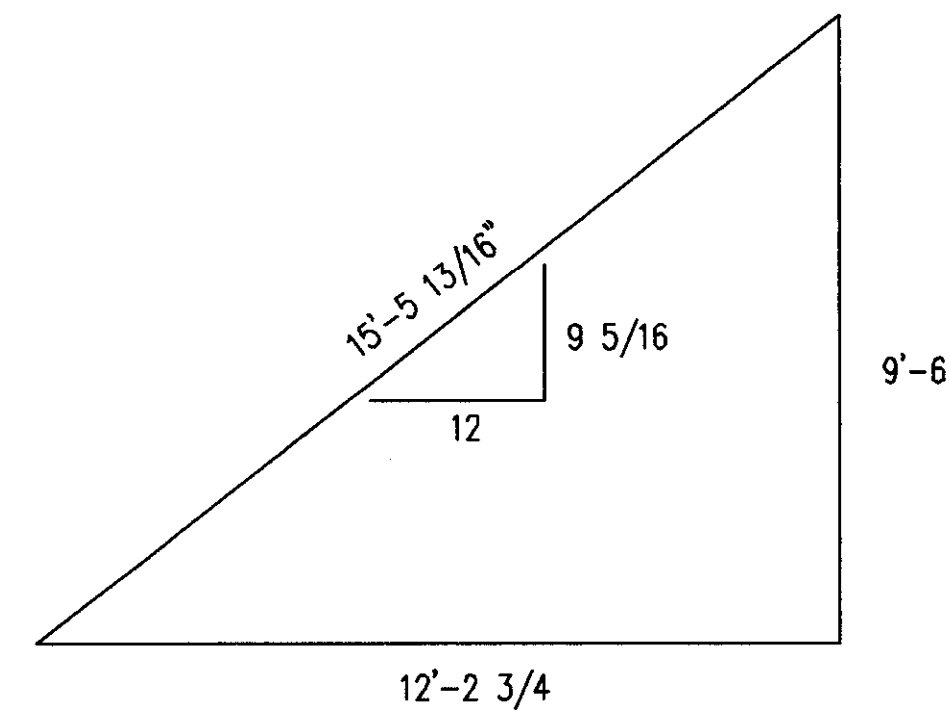




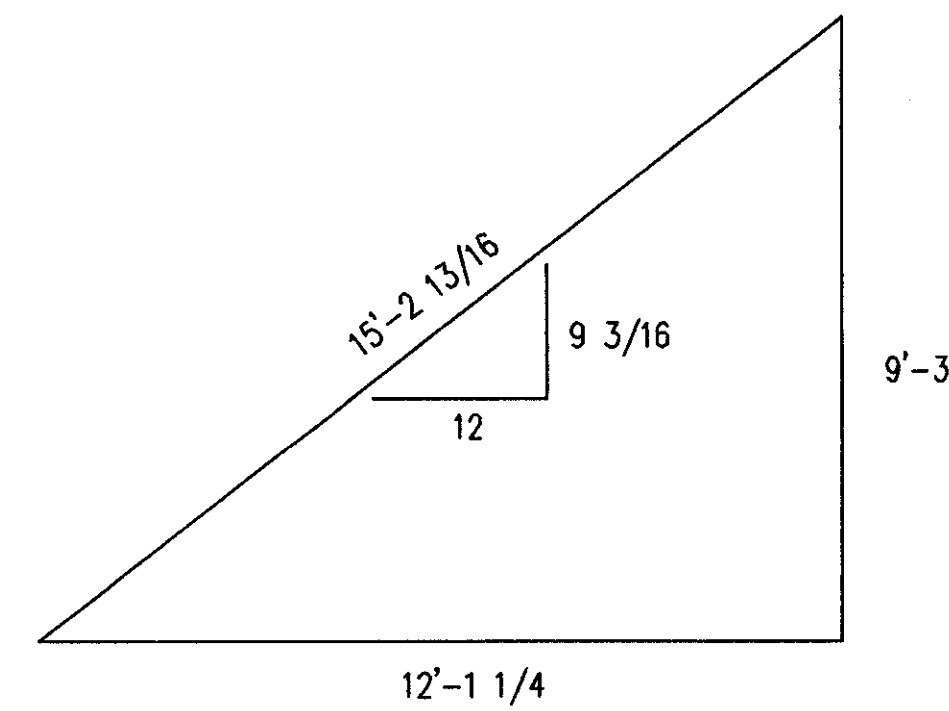
4-DIAGONALS 529D1  
 \* 40-A490 1 X 3/4 F1652H



4-DIAGONALS 529D2  
 40-A490 1 X 3/4 F1656H



4-DIAGONALS 529D3  
 \* 24-A490 1 X 3/4 F1652H



BILL OF MATERIAL

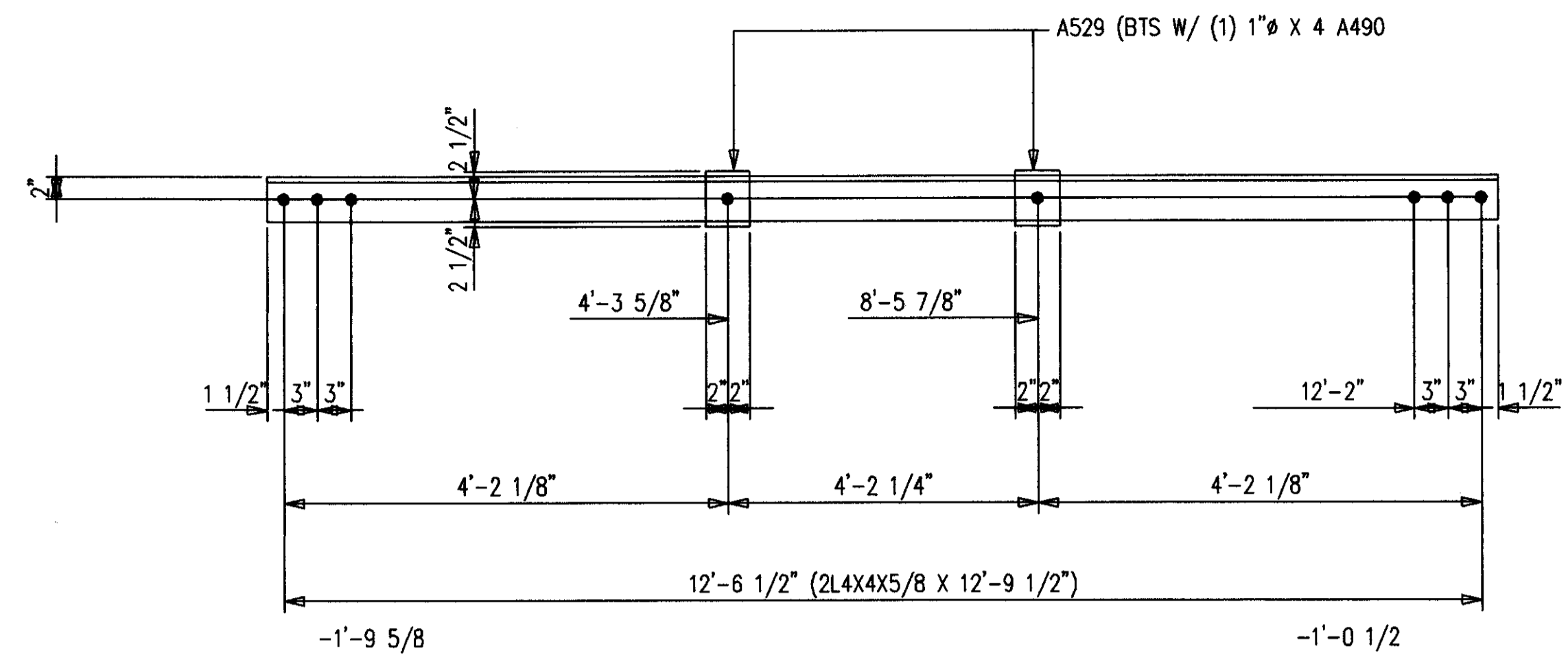
MARK	QUAN.	DESCRIPTION	LENGTH		REMARKS
			FT.	IN.	
* 529D1	4	DIAGONALS			
529D1	4	L6X6X3/4	12	8-1/16	P
529D2	4	DIAGONALS			
529D2	8	L5X5X3/8	12	9-13/16	P
A438	8	FB1X4	0	6	P
S1656H	8	A490 1X3-1/2			
* 529D3	4	DIAGONALS			
529D3	4	L6X6X3/4	12	8	P
		FIELD BOLTS			
** F1652H	65	A490 1X3-1/4			
** F1656H	41	A490 1X3-1/2			
** F16L1W	106	A LOAD IND 1			

- SHOP NOTES:
1. ALL STEEL GETS PRIMER ONLY.
  2. P=PRIMER ONLY AS DIMENSIONED.
  3. NP=NO PAINT IN 3" WIDE STRIP, CENTER OF BEAM, FULL LENGTH.

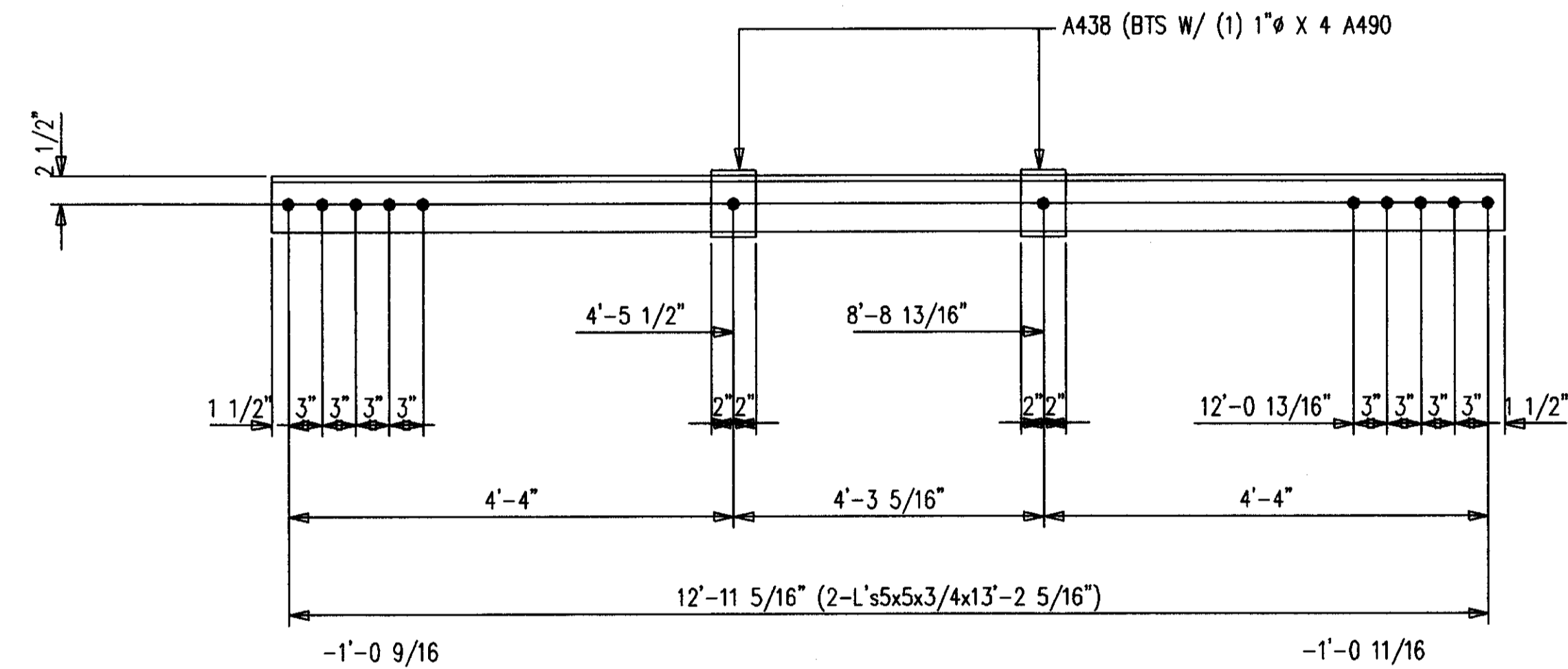
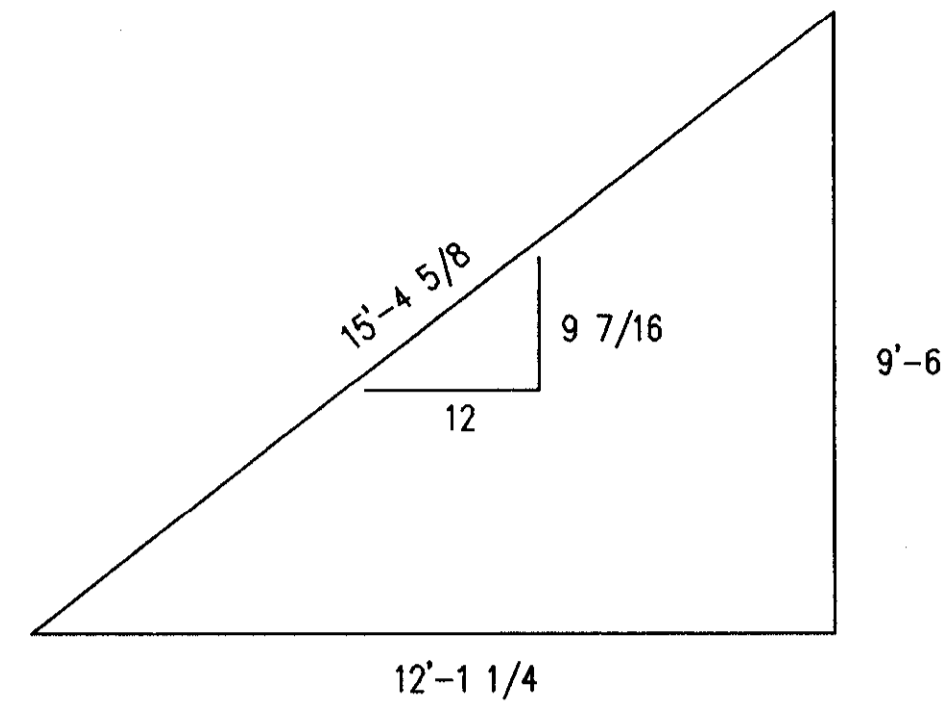
AS BUILT  
 NAME: *Max Hughes*  
 DATE: AUG 16 1999

DATE	APP	SHOP	FIELD

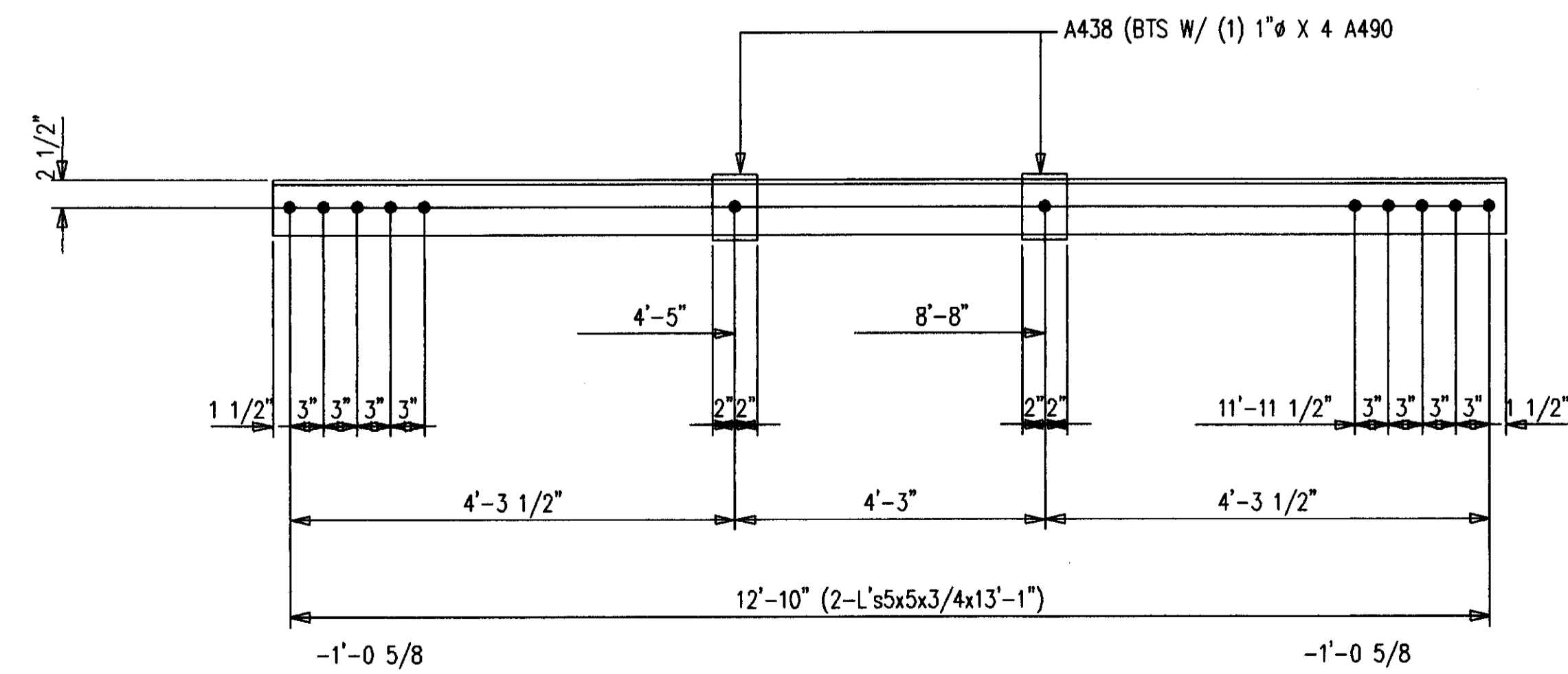
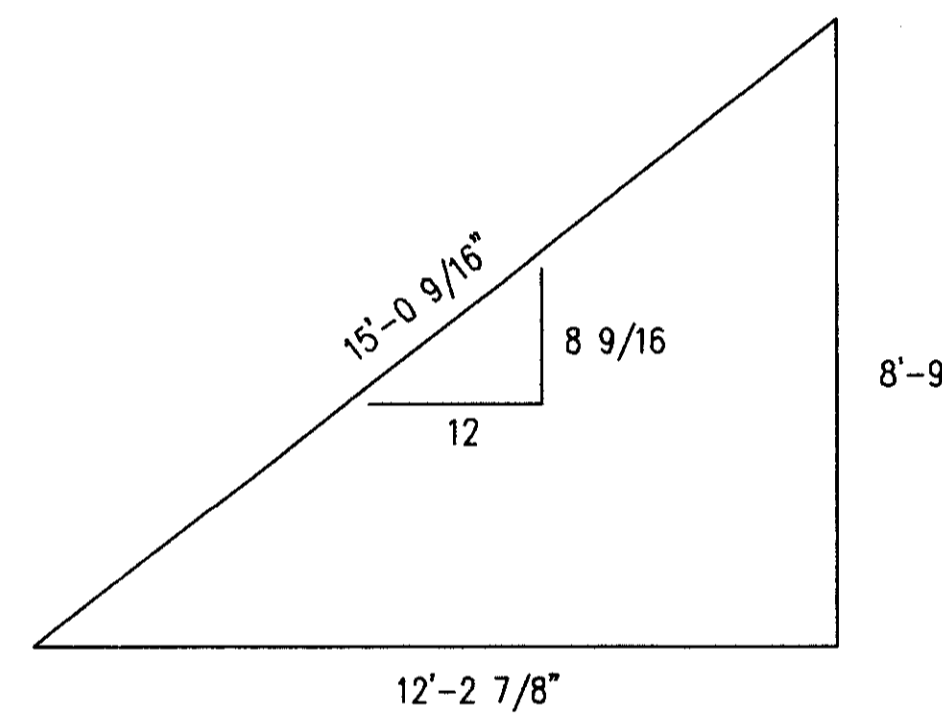
NO.		DATE		REVISION DESCRIPTION		OWN	CON.
CONTRACTOR TO CHECK ALL DIMENSIONS AT JOB AS MID STATES STEEL PRODUCTS CO. ASSUMES NO RESPONSIBILITY FOR GENERAL BUILDING DIMENSIONS. NO BACK CHARGES PERTAINING TO THIS WORK WILL BE ACCEPTED WITHOUT PRIOR AUTHORIZATION BY MID STATES STEEL PRODUCTS CO.							
MATERIAL U/N	A36	DRAWN BY	JDL	JOB NAME	COMMONWEALTH STADIUM EXPANSION		
OPEN HOLES U/N	1 1/16"	DATE	9/98	JOB LOCATION	UNIVERSITY OF KENTUCKY		
WELD ELECTRODE U/N	E70XX	CHECKED BY	GCL	CONTRACTOR	TURNER CONSTRUCTION COMPANY		
SHOP PAINT	SEE SPECS	DATE	9/98	ENGINEER	WALTER P. MOORE AND ASSOCIATES, INC.		
DRAWING TITLE				DIAGONALS			
P.O. BOX 11128-2044 BUCK LANE				LEXINGTON, KENTUCKY 40511		ORDER NO. P3524	
PHONE: 606-233-4344				FAX: 606-233-4346		SHEET NO. 529	
MID STATES STEEL PRODUCTS CO. FABRICATORS OF STRUCTURAL AND MISCELLANEOUS STEEL							



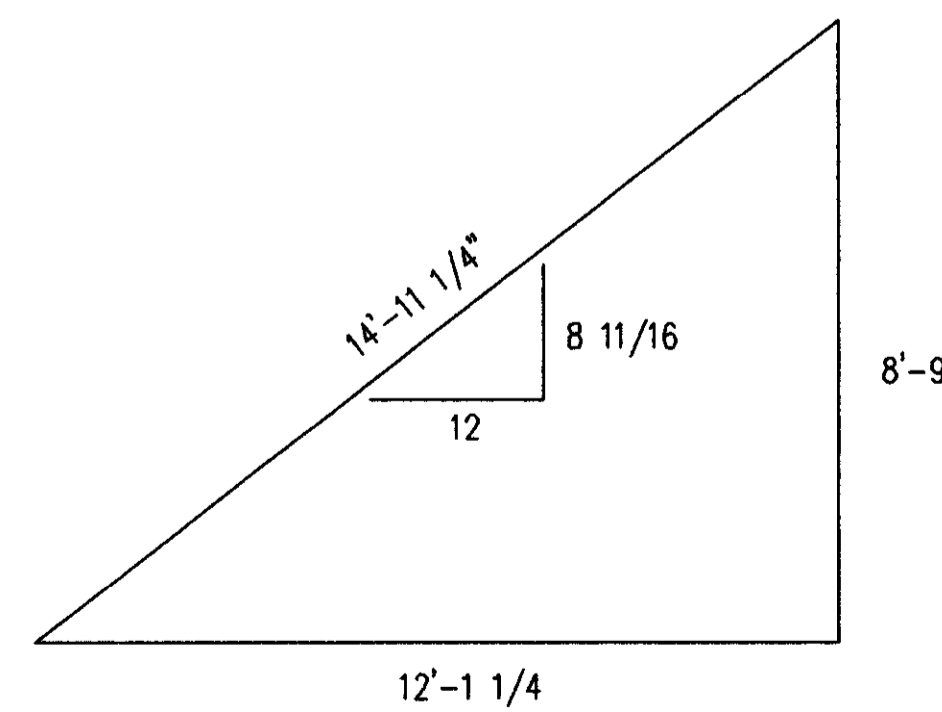
4-DIAGONALS 530D1  
24-A490 1 X 4 F1664H



4-DIAGONALS 530D2  
40-A490 1 X 4 F1664H



4-DIAGONALS 530D3  
40-A490 1 X 4 F1664H



BILL OF MATERIAL

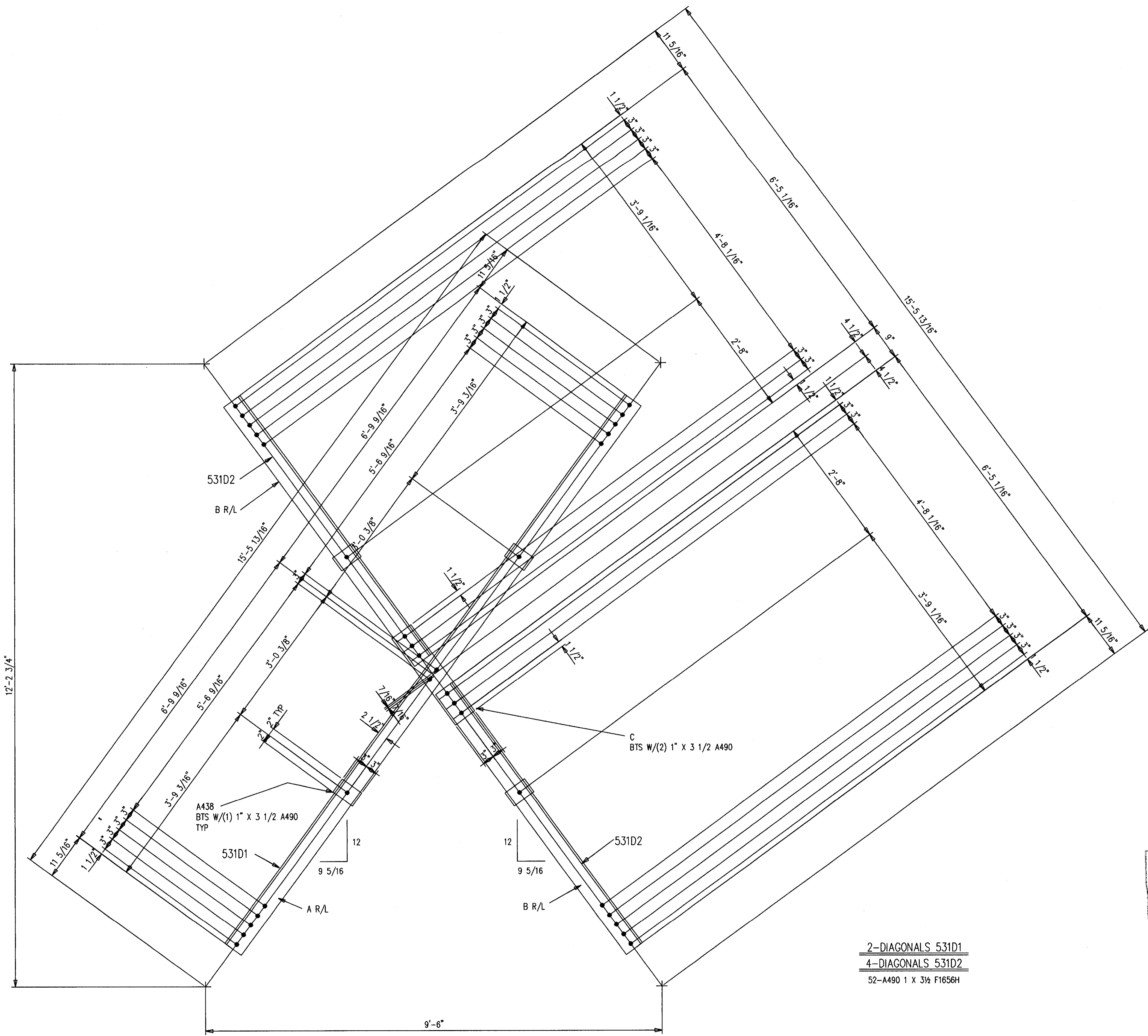
MARK	QUAN.	DESCRIPTION	LENGTH		REMARKS
			FT.	IN.	
530D1	4	DIAGONALS			
530D1	8	L4X4X5/8	12	9-1/2	P
A529	8	FB1X4	0	5	P
S1664H	8	A490 1X4			
530D2	4	DIAGONALS			
530D2	8	L5X5X3/4	13	2-5/16	P
A438	8	FB1X4	0	6	P
S1664H	8	A490 1X4			
530D3	4	DIAGONALS			
530D3	8	L5X5X3/4	13	1	P
A438	8	FB1X4	0	6	P
S1664H	8	A490 1X4			
		FIELD BOLTS			
F1664H	106	A490 1X4			

SHOP NOTES:

1. ALL STEEL GETS PRIMER ONLY.
2. P=PRIMER ONLY AS DIMENSIONED.
3. NP=NO PAINT IN 3" WIDE STRIP, CENTER OF BEAM, FULL LENGTH.

**AS BUILT**  
NAME: *My Hughes*  
DATE: **AUG 16 1999**

NO. DATE		REVISION DESCRIPTION		DATE	BY
CONTRACTOR TO CHECK ALL DIMENSIONS AT JOB AS MID STATES STEEL PRODUCTS CO. ASSUMES NO RESPONSIBILITY FOR GENERAL BUILDING DIMENSIONS. NO BACK CHARGES PERTAINING TO THIS WORK WILL BE ACCEPTED WITHOUT PRIOR AUTHORIZATION BY MID STATES STEEL PRODUCTS CO.					
MATERIAL U/N	A36	DRAWN BY	JDL	JOB NAME	COMMONWEALTH STADIUM EXPANSION
OPEN HOLES U/N	1 1/16"	DATE	9/98	JOB LOCATION	UNIVERSITY OF KENTUCKY
WELD ELECTRODE U/N	E70XX	CHECKED BY	GCL	CONTRACTOR	TURNER CONSTRUCTION COMPANY
SHOP PAINT	SEE SPECS	DATE	9/98	ENGINEER	WALTER P. MOORE AND ASSOCIATES, INC.
DRAWING TITLE: <b>DIAGONALS</b>					
P.O. BOX 11128-2044 BUCK LANE LEXINGTON, KENTUCKY 40511 PHONE: 606-253-4344 FAX: 606-233-4346					ORDER NO. <b>P3524</b>
<b>MID STATES STEEL PRODUCTS CO.</b> FABRICATORS OF STRUCTURAL AND MISCELLANEOUS STEEL					SHEET NO. <b>530</b>



BILL OF MATERIAL

MARK	QUAN.	DESCRIPTION	LENGTH		REMARKS
			FT.	IN.	
531D1	2	DIAGONALS			
A438	4	FB1X4	0	6	P
A531 L	2	L5X5X3/8	13	7-1/8	P
A531 R	2	L5X5X3/8	13	7-1/8	P
C531	2	FB1X6	2	3	P
S1656H	8	A490 1X3-1/2			
531D2	4	DIAGONALS			
A438	4	FB1X4	0	6	P
B531 L	4	L5X5X3/8	6	5-1/16	P
B531 R	4	L5X5X3/8	6	5-1/16	P
S1656H	4	A490 1X3-1/2			
		FIELD BOLTS			
F1656H	53	A490 1X3-1/2			

SHOP NOTES:  
 1. ALL STEEL GETS PRIMER ONLY.  
 2. P=PRIMER ONLY AS DIMENSIONED.  
 3. NP=NO PAINT IN 3" WIDE STRIP, CENTER OF BEAM, FULL LENGTH.

AS BUILT  
 NAME: *Map Hughes*  
 DATE: AUG 16 1999

2-DIAGONALS 531D1  
 4-DIAGONALS 531D2  
 52-A490 1 X 3 1/2 F1656H

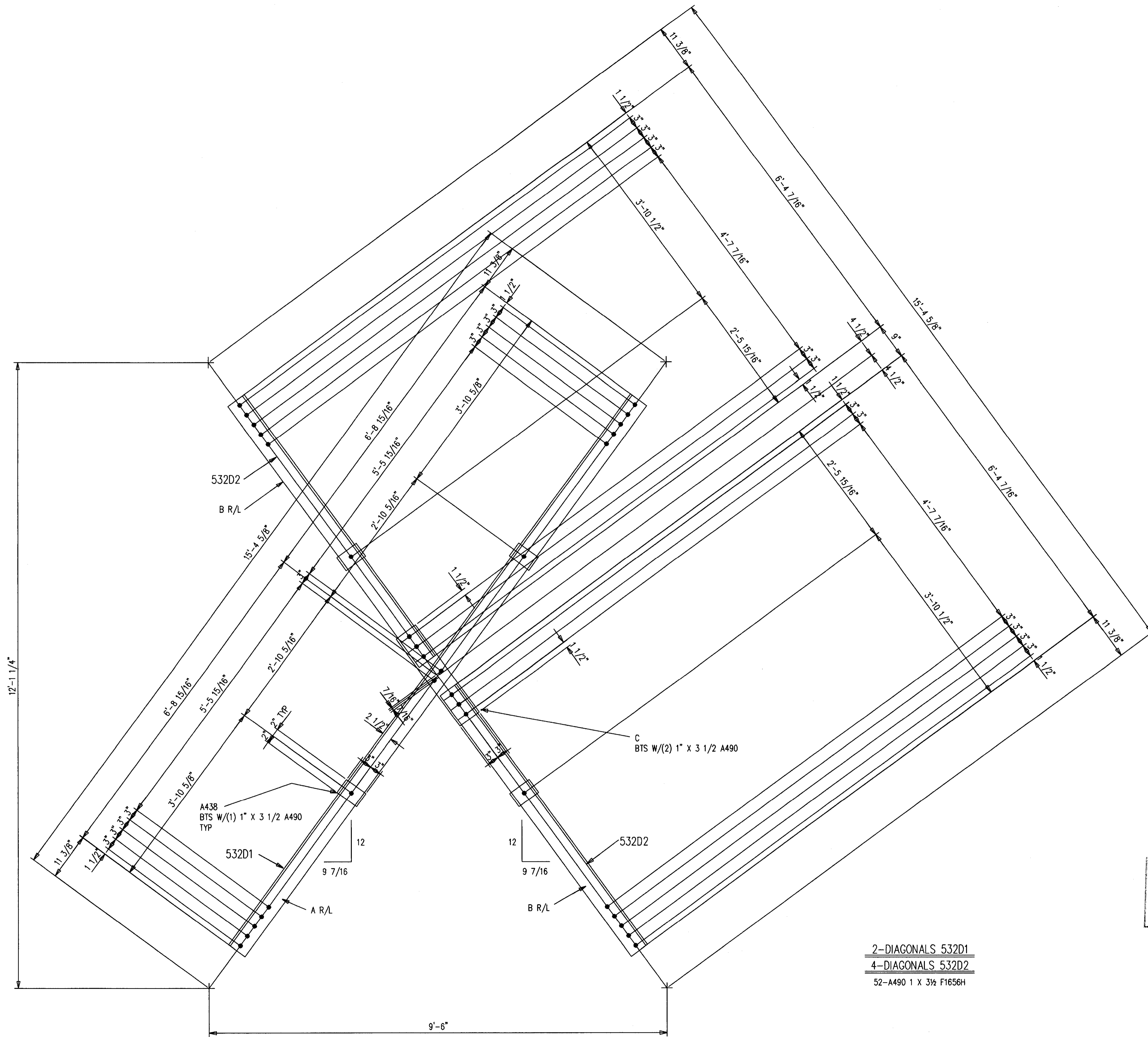
ALL RE-ENTRANT CUTS MIN. 1/2" RAD. U/N	WELD ELECTRODE U/N E70XX	CHECKED BY GCL	DATE 9/98	CONTRACTOR TURNER CONSTRUCTION COMPANY
ALL A325 BOLTS W/ONE HARD WASH. AND HVY HEX NUT	SHOP PAINT SEE SPECS	DATE 9/98	ENGINEER WALTER P. MOORE AND ASSOCIATES, INC.	
ALL A307 BOLTS W/HEX NUT	DRAWING TITLE DIAGONALS			

MATERIAL U/N A36  
 OPEN HOLES U/N 1 1/16"  
 DRAWN BY JDL  
 DATE 9/98  
 JOB NAME COMMONWEALTH STADIUM EXPANSION  
 JOB LOCATION UNIVERSITY OF KENTUCKY  
 P.O. BOX 11128-2044 BUCK LANE  
 LEXINGTON, KENTUCKY 40511  
 PHONE: 606-233-4344 FAX: 606-233-4346  
 ORDER NO. P3524  
 SHEET NO. 531  
 FABRICATORS OF STRUCTURAL AND MISCELLANEOUS STEEL

Document # 34861  
 206 C-2

# BILL OF MATERIAL

MARK	QUAN.	DESCRIPTION	LENGTH		REMARKS
			FT.	IN.	
532D1	2	DIAGONALS			
A438	4	FB1X4	0	6	P
A532 L	2	L5X5X3/8	13	5-7/8	P
A532 R	2	L5X5X3/8	13	5-7/8	P
C532	2	FB1X6	2	3	P
S1656H	8	A490 1X3-1/2			
532D2	4	DIAGONALS			
A438	4	FB1X4	0	6	P
B532 L	4	L5X5X3/8	6	4-7/16	P
B532 R	4	L5X5X3/8	6	4-7/16	P
S1656H	4	A490 1X3-1/2			
		FIELD BOLTS			
F1656H	53	A490 1X3-1/2			



**SHOP NOTES:**

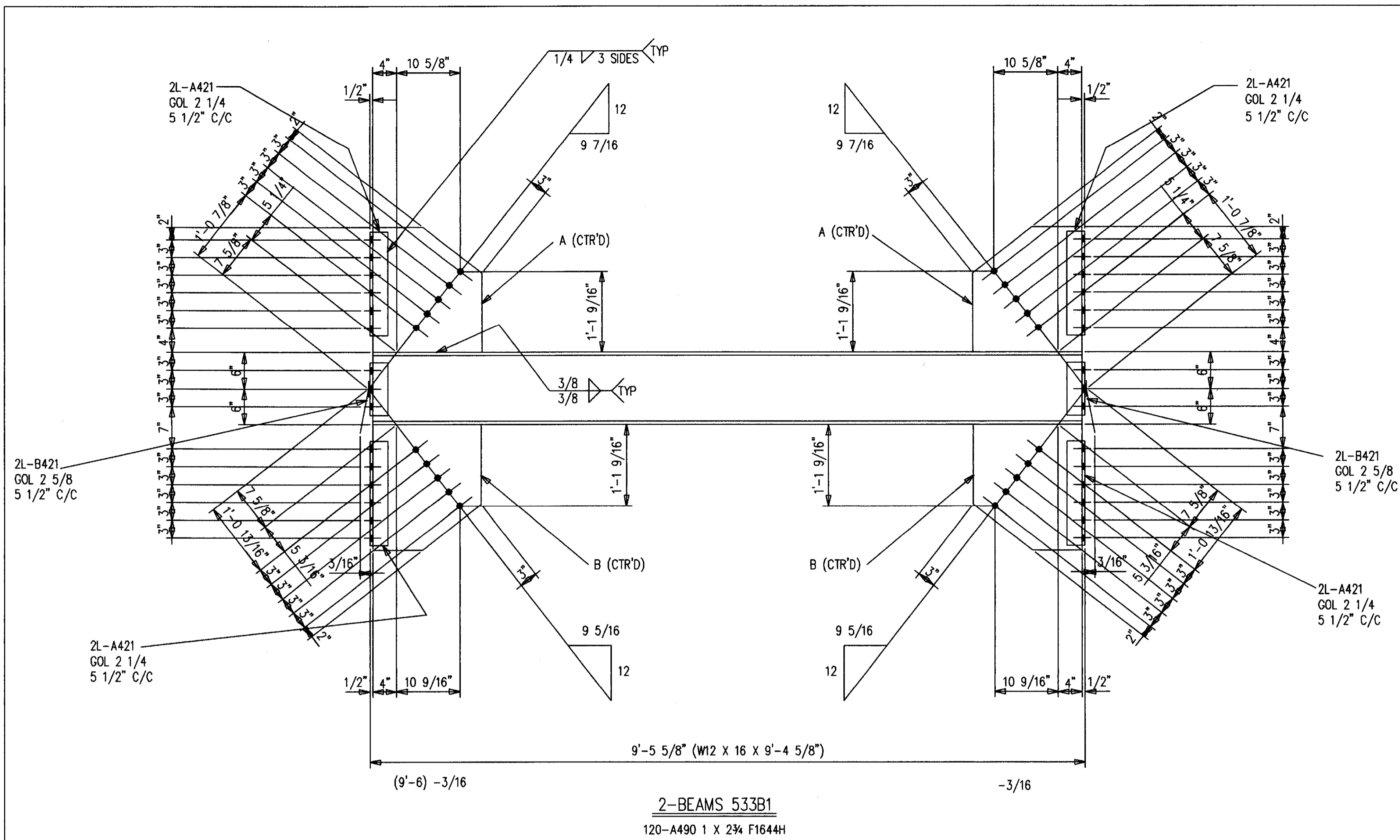
1. ALL STEEL GETS PRIMER ONLY.
2. P=PRIMER ONLY AS DIMENSIONED.
3. NP=NO PAINT IN 3" WIDE STRIP, CENTER OF BEAM, FULL LENGTH.

2-DIAGONALS 532D1  
4-DIAGONALS 532D2  
52-A490 1 X 3 1/2 F1656H

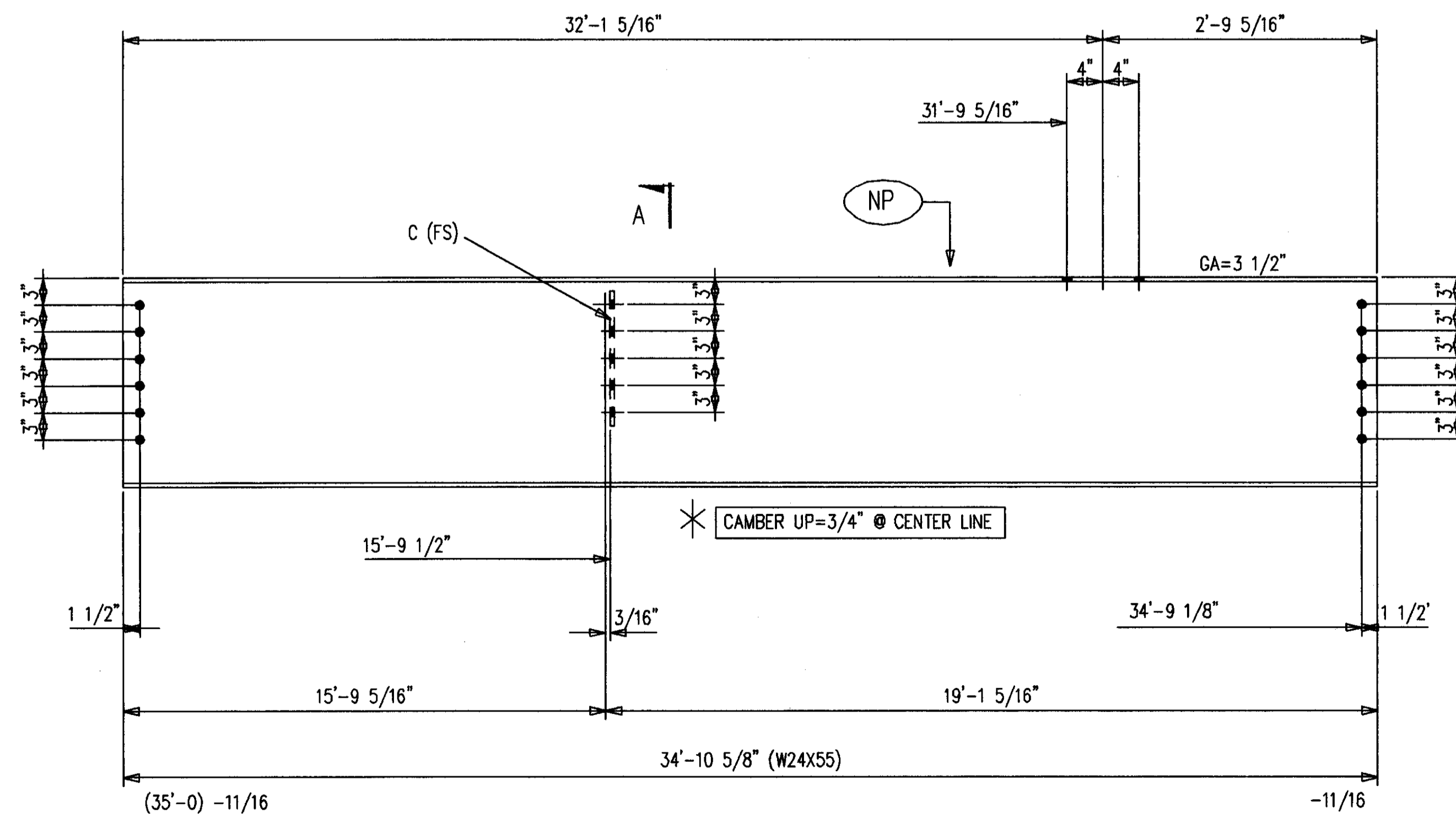
**AS BUILT**  
NAME: *May Hughes*  
DATE: **AUG 16 1999**

DATE	APP	SHOP	FIELD

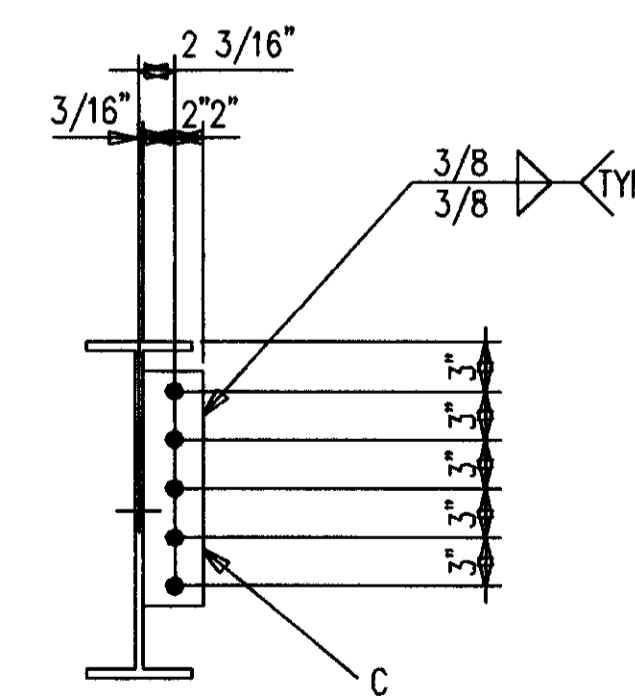
NO. DATE		REVISION DESCRIPTION		DWN	CHKD
CONTRACTOR TO CHECK ALL DIMENSIONS AT JOB AS MID STATES STEEL PRODUCTS CO. ASSUMES NO RESPONSIBILITY FOR GENERAL BUILDING DIMENSIONS. NO BACK CHARGES PERTAINING TO THIS WORK WILL BE ACCEPTED WITHOUT PRIOR AUTHORIZATION BY MID STATES STEEL PRODUCTS CO.					
MATERIAL U/N	A36	DRAWN BY	JDL	JOB NAME COMMONWEALTH STADIUM EXPANSION	
OPEN HOLES U/N	1 1/16"	DATE	9/98	JOB LOCATION UNIVERSITY OF KENTUCKY	
WELD ELECTRODE U/N	E70XX	CHECKED BY	GCL	CONTRACTOR TURNER CONSTRUCTION COMPANY	
SHOP PAINT	SEE SPECS	DATE	9/98	ENGINEER WALTER P. MOORE AND ASSOCIATES, INC.	
DRAWING TITLE DIAGONALS					
P.O. BOX 11128-2044 BUCK LANE LEXINGTON, KENTUCKY 40511 PHONE: 606-233-4344 FAX: 606-233-4346				ORDER NO. P3524	
MID STATES STEEL PRODUCTS CO. FABRICATORS OF STRUCTURAL AND MISCELLANEOUS STEEL				SHEET NO. 532	



2-BEAMS 533B1  
120-A490 1 X 2 3/4 F1644H



ONE-BEAM 533B2 R [AS SHOWN]  
ONE-BEAM 533B2 L [OPP HAND]  
20-A490 1 X 2 1/2 F1640H



SECTION A

BILL OF MATERIAL

MARK	QUAN.	DESCRIPTION	LENGTH		REMARKS
			FT.	IN.	
533B1	2	BEAMS			
533B1	2	W12X16 A572	9	4-5/8	
A421	16	L4X3X1/2	1	6	P
A533	4	PL 1X18-1/4	1	9	P
B421	8	L4X3X1/2	0	9	P
B533	4	PL 1X18-1/8	1	9	P
533B2 L	ONE	BEAM			
533B2	1	W24X55 A572	34	10-5/8	P
C533	1	FB1/2X4	1	3	P
533B2 R	ONE	BEAM			
533B2	1	W24X55 A572	34	10-5/8	P
C533	1	FB1/2X4	1	3	P
		FIELD BOLTS			
F1640H	21	A490 1X2-1/2			
F1644H	122	A490 1X2-3/4			
F16LI	142	A LOAD IND 1			

SHOP NOTES:  
 1. ALL STEEL GETS PRIMER ONLY.  
 2. P=PRIMER ONLY AS DIMENSIONED.  
 3. NP=NO PAINT IN 3" WIDE STRIP, CENTER OF BEAM, FULL LENGTH.

AS BUILT  
 NAME: *Max Hughes*  
 DATE: AUG 16 1999

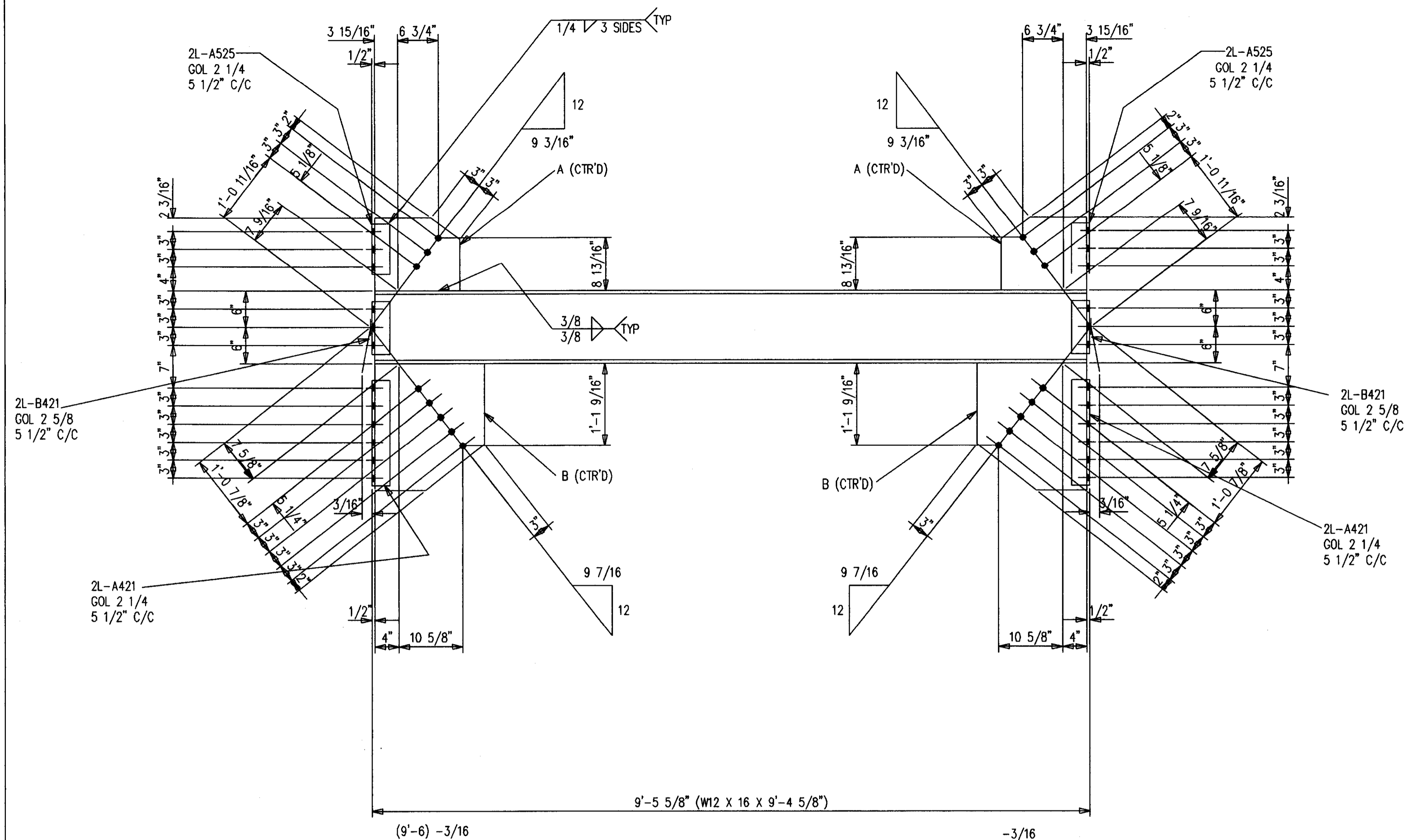
DATE	APP.	SHOP	FIELD

ALL RE-ENTRANT CUTS MIN. 1/2" RAD. U/N ALL A325 BOLTS w/ONE HARD WASH. AND HVY HEX NUT ALL A307 BOLTS w/HEX NUT	WELD ELECTRODE U/N E70XX CHECKED BY GCL DATE 9/98	CONTRACTOR TURNER CONSTRUCTION COMPANY ENGINEER WALTER P. MOORE AND ASSOCIATES, INC.
--	---	---

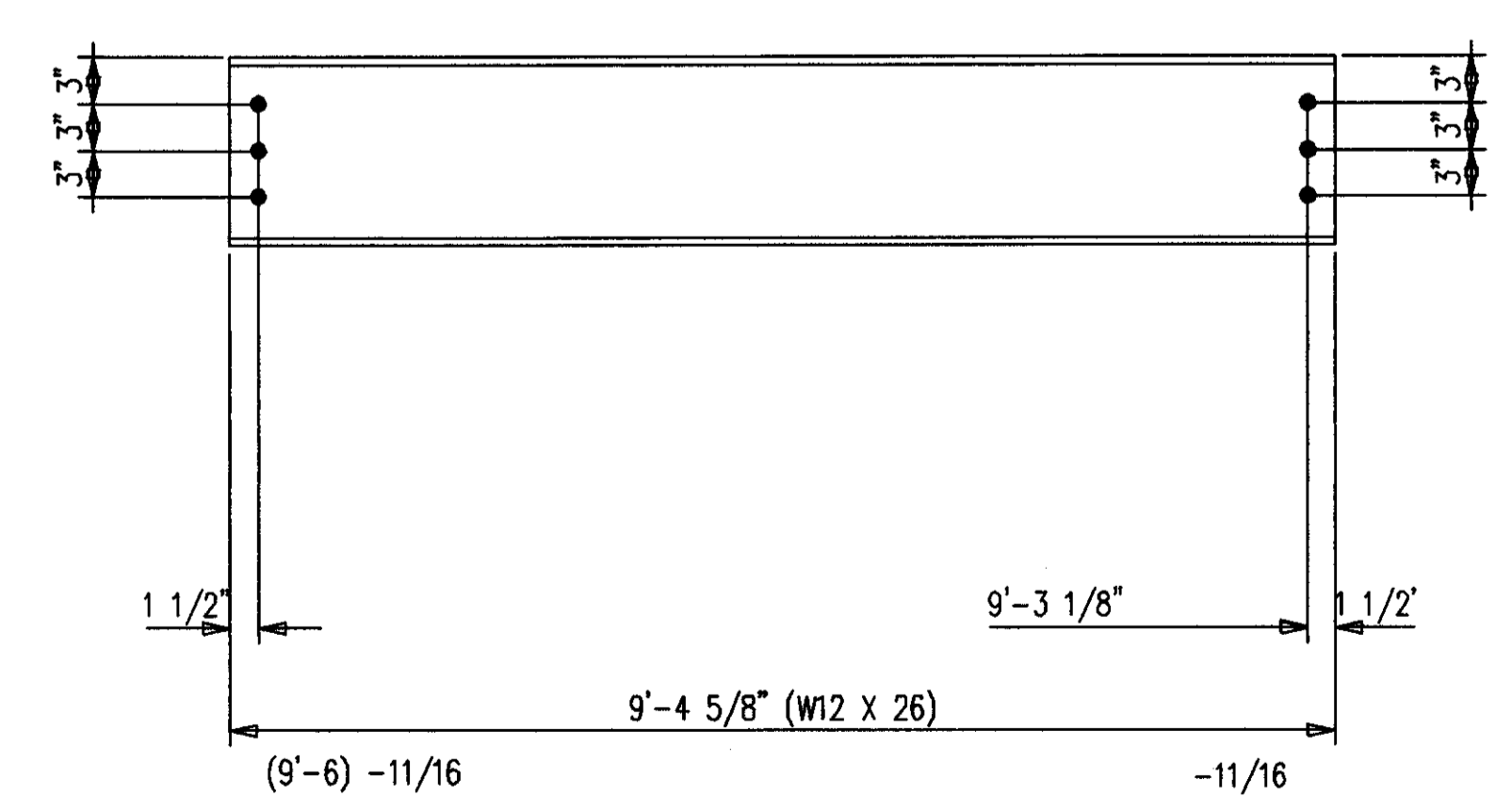
P.O. BOX 11128-2044 BUCK LANE LEXINGTON, KENTUCKY 40511 PHONE: 606-233-4344 FAX: 606-233-4346	ORDER NO. P3524 SHEET NO. 533
---	--

BILL OF MATERIAL

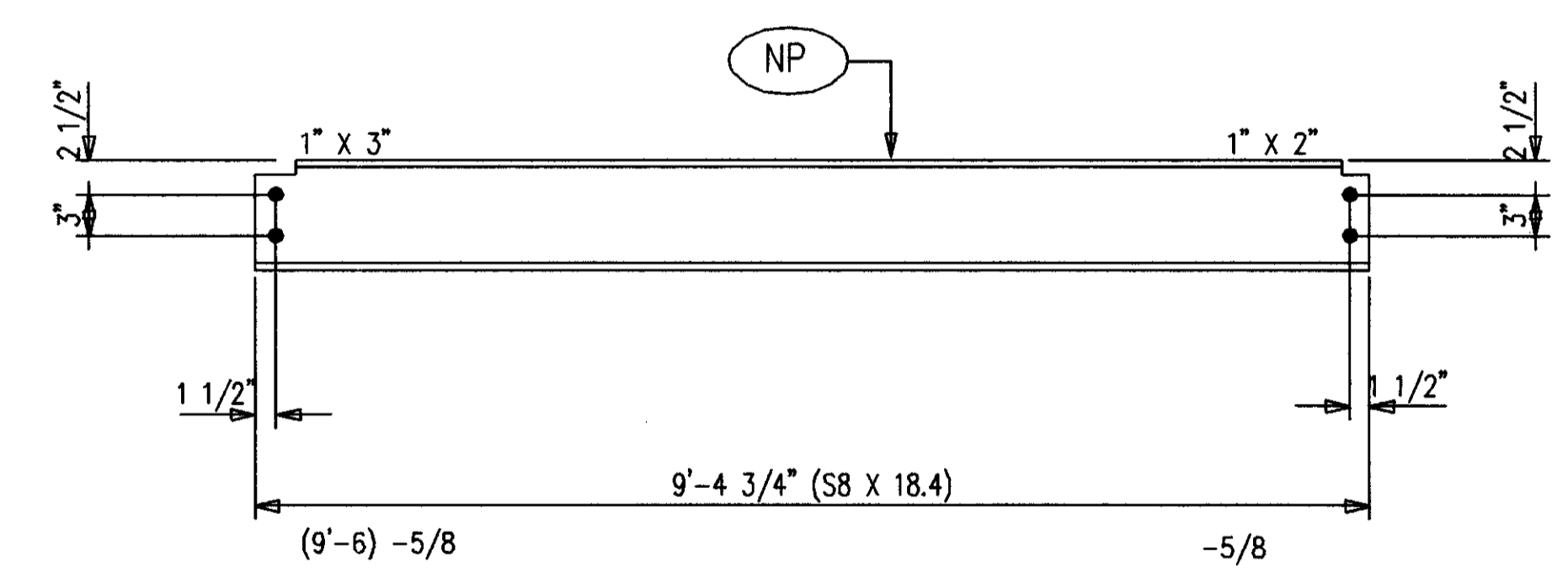
MARK	QUAN.	DESCRIPTION	LENGTH		REMARKS
			FT.	IN.	
534B1	2	BEAMS			
534B1	2	W12X16 A572	9	4-5/8	
A421	8	L4X3X1/2	1	6	P
A525	8	L4X3X1/2	0	9	P
A534	4	PL1X12-3/16	1	2-1/4	P
B421	8	L4X3X1/2	0	9	P
B534	4	PL1X18-1/4	1	9	P
534B2	2	BEAMS			
534B2	2	W12X26 A572	9	4-5/8	P
534B3	4	BEAMS			
534B3	4	S8X18.4	9	4-3/4	P
		FIELD BOLTS			
F1640H	29	A490 1X2-1/2			
F1644H	122	A490 1X2-3/4			
F16LI	150	A LOAD IND 1			



2-BEAMS 534B1  
120-A490 1 X 2 1/2 F1644H



2-BEAMS 534B2  
12-A490 1 X 2 1/2 F1640H



4-BEAMS 534B3  
16-A490 1 X 2 1/2 F1640H

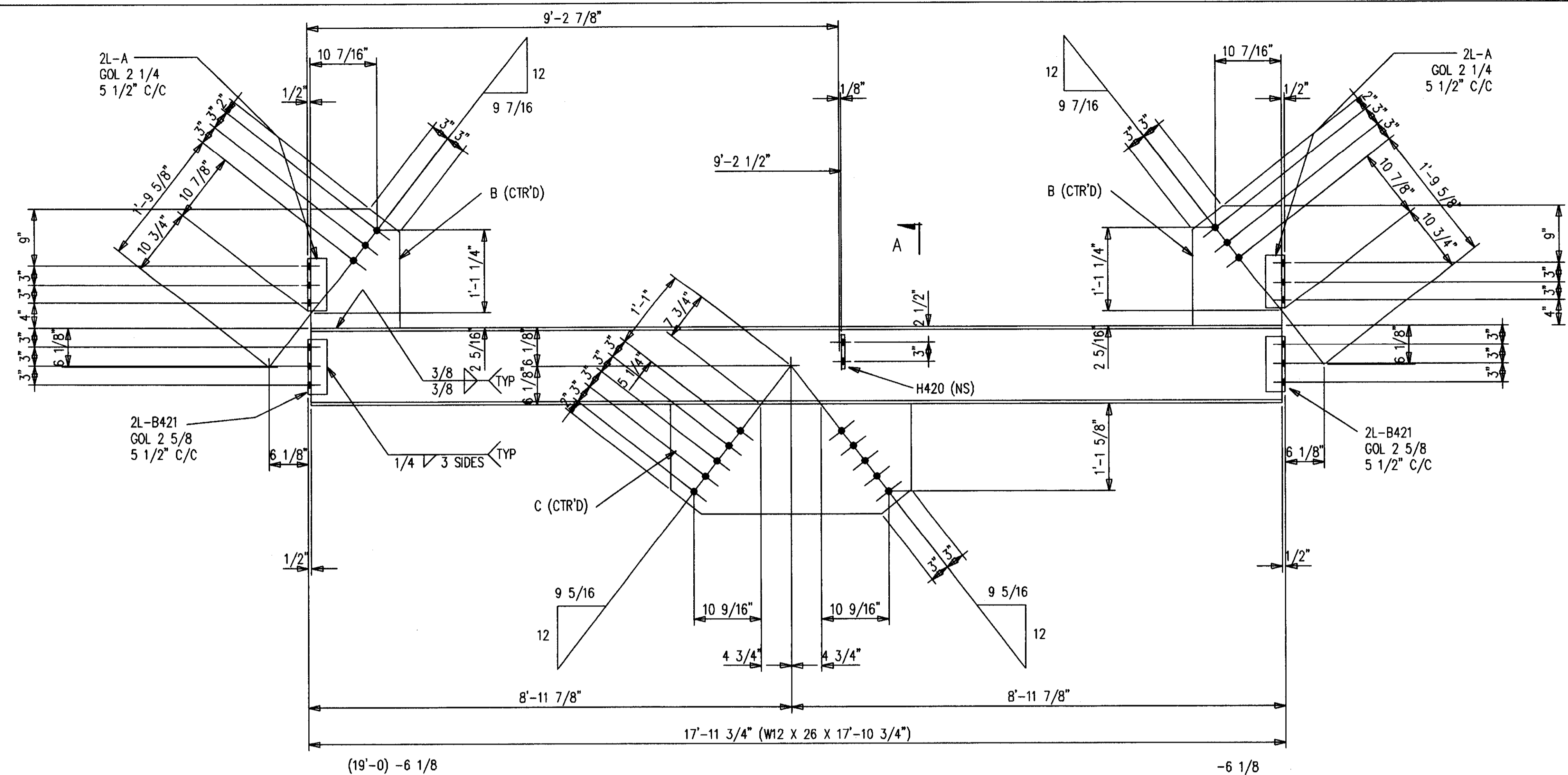
SHOP NOTES:  
 1. ALL STEEL GETS PRIMER ONLY.  
 2. P=PRIMER ONLY AS DIMENSIONED.  
 3. NP=NO PAINT IN 3" WIDE STRIP, CENTER OF BEAM, FULL LENGTH.

AS BUILT  
 NAME: *Walter Moore*  
 DATE: AUG 16 1999

ALL RE-ENTRANT CUTS MIN. 1/2" RAD. U/W	WELD ELECTRODE U/W E70XX	CHECKED BY GCL	DATE 9/98	CONTRACTOR TURNER CONSTRUCTION COMPANY
ALL A325 BOLTS w/ONE HARD WASH. AND HVY HEX NUT	SHOP PAINT SEE SPECS	DATE 9/98	ENGINEER WALTER P. MOORE AND ASSOCIATES, INC.	
ALL A307 BOLTS w/HEX NUT	DRAWING TITLE BEAMS			

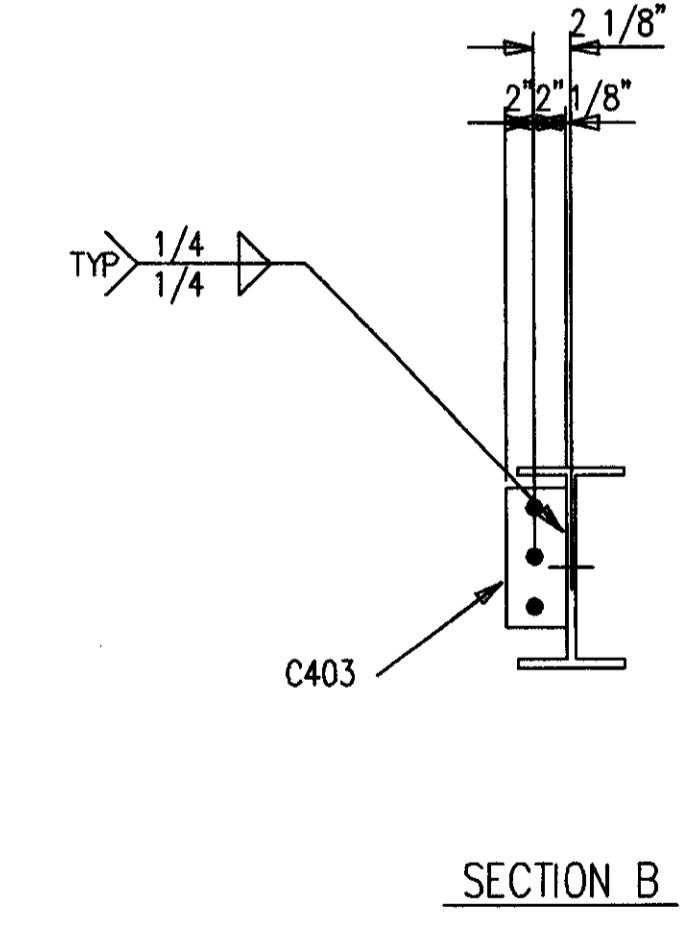
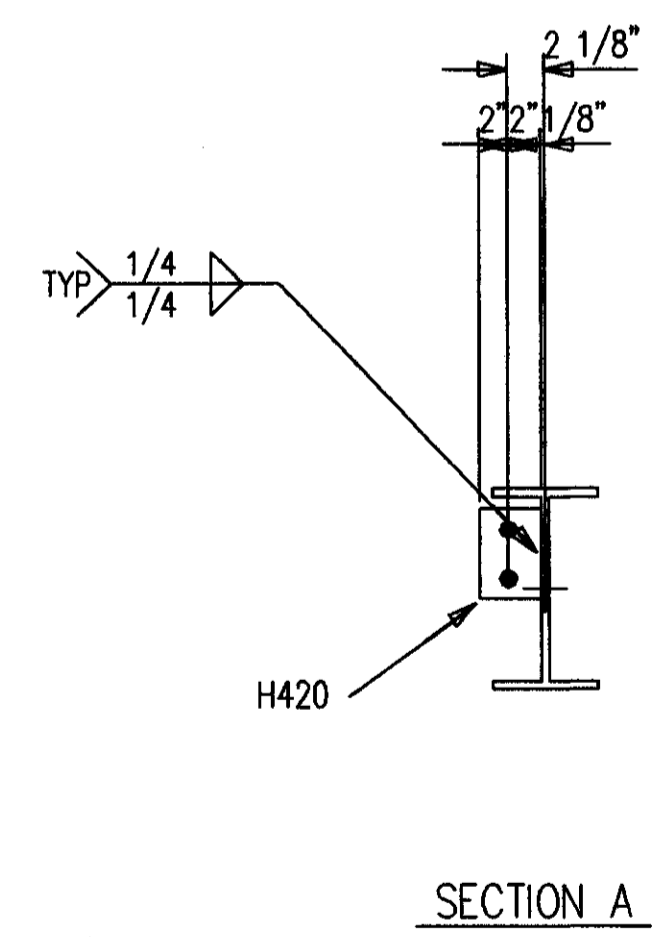
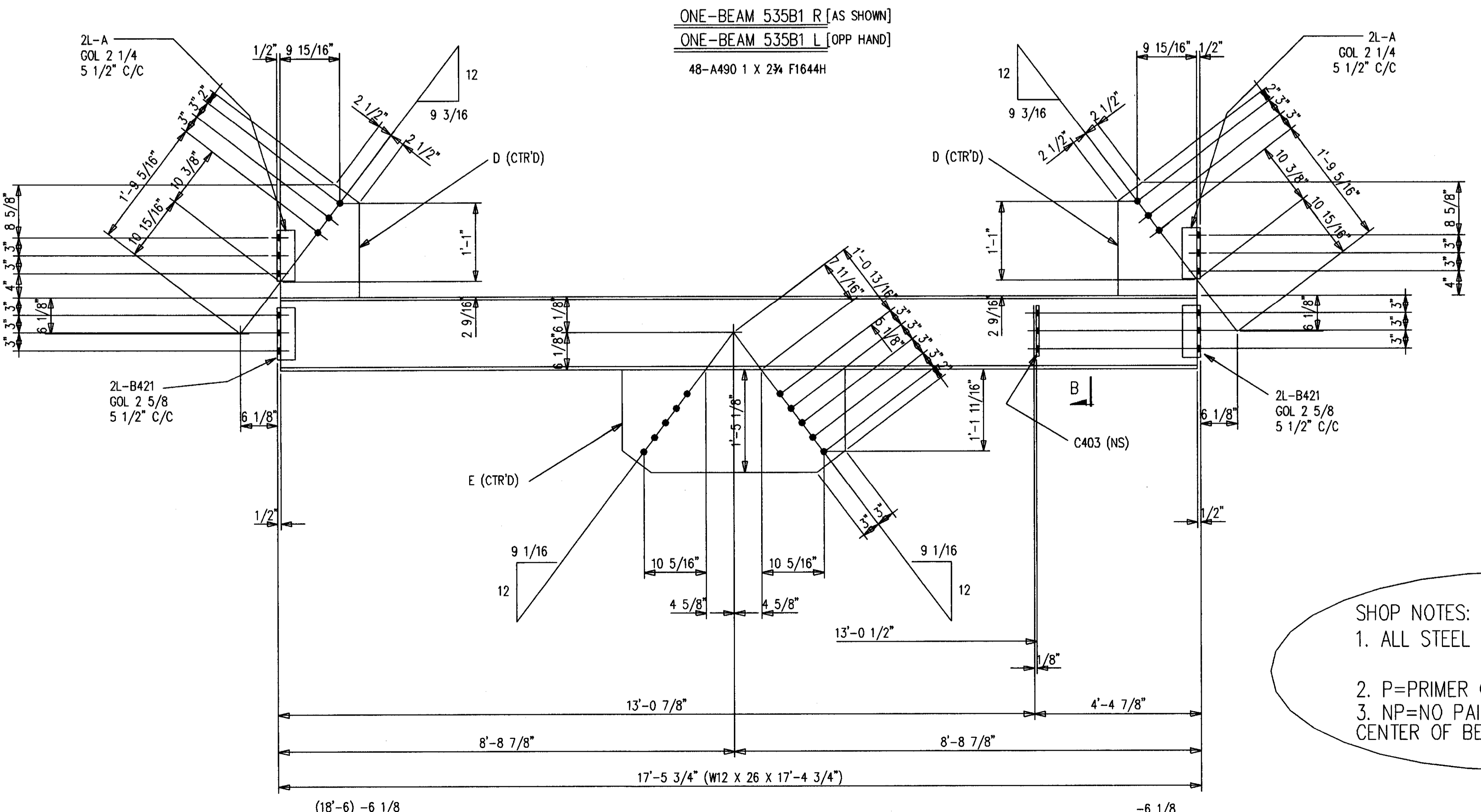
MID STATES STEEL PRODUCTS CO.  
 FABRICATORS OF STRUCTURAL AND MISCELLANEOUS STEEL  
 P.O. BOX 11128-2044 BUCK LANE  
 LEXINGTON, KENTUCKY 40511  
 PHONE: 606-233-4344 FAX: 606-233-4346

ORDER NO. P3524  
 SHEET NO. 534



### BILL OF MATERIAL

MARK	QUAN.	DESCRIPTION	LENGTH		REMARKS
			FT.	IN.	
535B1 L	ONE	BEAM			
535B1	1	W12X26 A572	17	10-3/4	
A535	4	L4X3X1/2	0	9	P
B421	4	L4X3X1/2	0	9	P
B535	2	PL1X14-1/16	1	7	P
C535	1	PL1X17	3	1-7/8	P
H420	1	FBI/2X4	0	6	P
535B1 R	ONE	BEAM			
535B1	1	W12X26 A572	17	10-3/4	
A535	4	L4X3X1/2	0	9	P
B421	4	L4X3X1/2	0	9	P
B535	2	PL1X14-1/16	1	7	P
C535	1	PL1X17	3	1-7/8	P
H420	1	FBI/2X4	0	6	P
535B2 L	ONE	BEAM			
535B2	1	W12X26 A572	17	4-3/4	
A535	4	L4X3X1/2	0	9	P
B421	4	L4X3X1/2	0	9	P
C403	1	FBI/2X4	0	9	P
D535	2	PL1X13-1/8	1	6-5/8	P
E535	1	PL1X17-1/8	3	1	P
535B2 R	ONE	BEAM			
535B2	1	W12X26 A572	17	4-3/4	
A535	4	L4X3X1/2	0	9	P
B421	4	L4X3X1/2	0	9	P
C403	1	FBI/2X4	0	9	P
D535	2	PL1X13-1/8	1	6-5/8	P
E535	1	PL1X17-1/8	3	1	P
		FIELD BOLTS			
F1644H	97	A490 1X2-3/4			
F16L1	97	A LOAD IND 1			



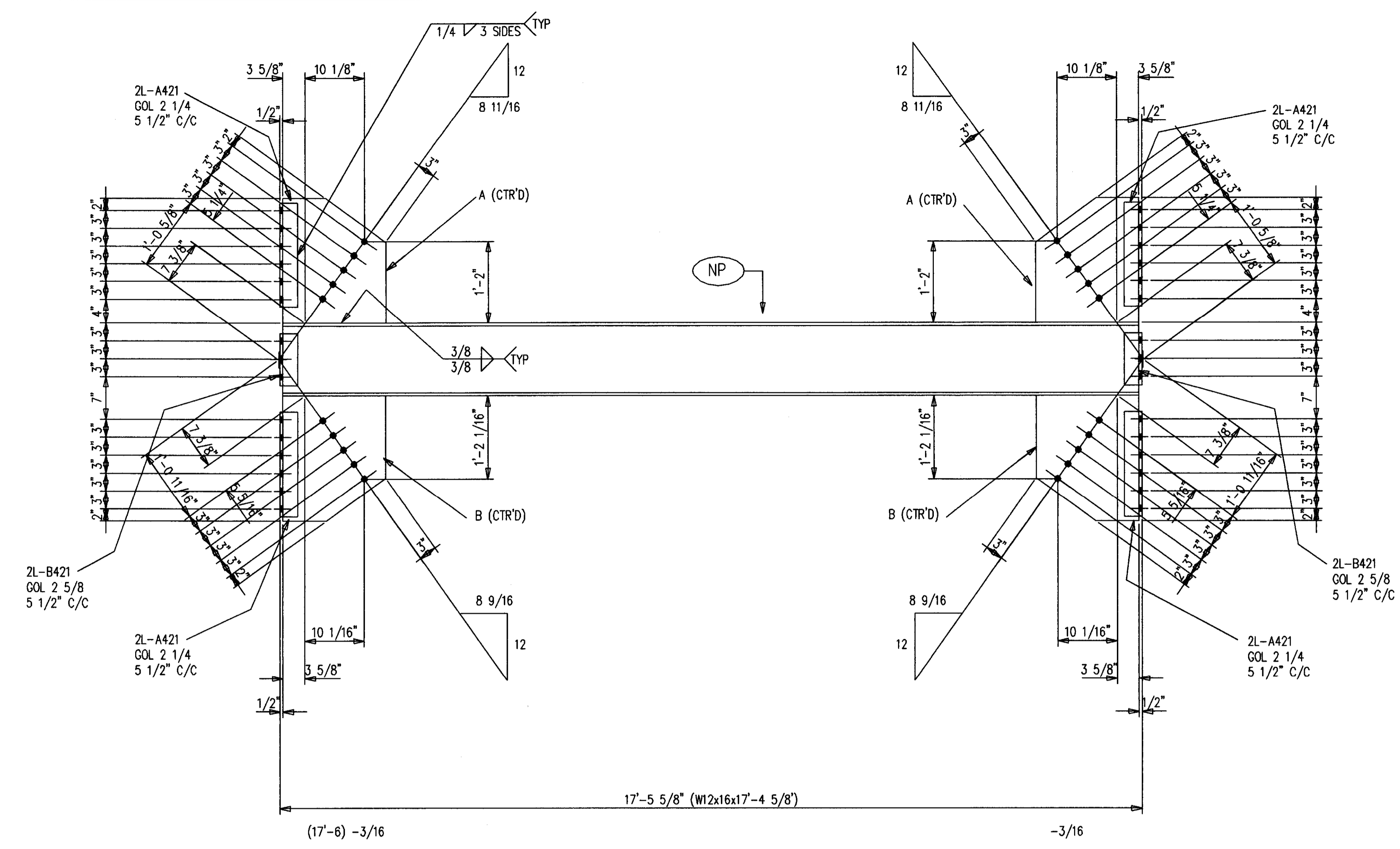
**SHOP NOTES:**  
 1. ALL STEEL GETS PRIMER ONLY.  
 2. P=PRIMER ONLY AS DIMENSIONED.  
 3. NP=NO PAINT IN 3" WIDE STRIP, CENTER OF BEAM, FULL LENGTH.

**AS BUILT**  
 NAME: *Map Hughes*  
 DATE: **AUG 16 1999**

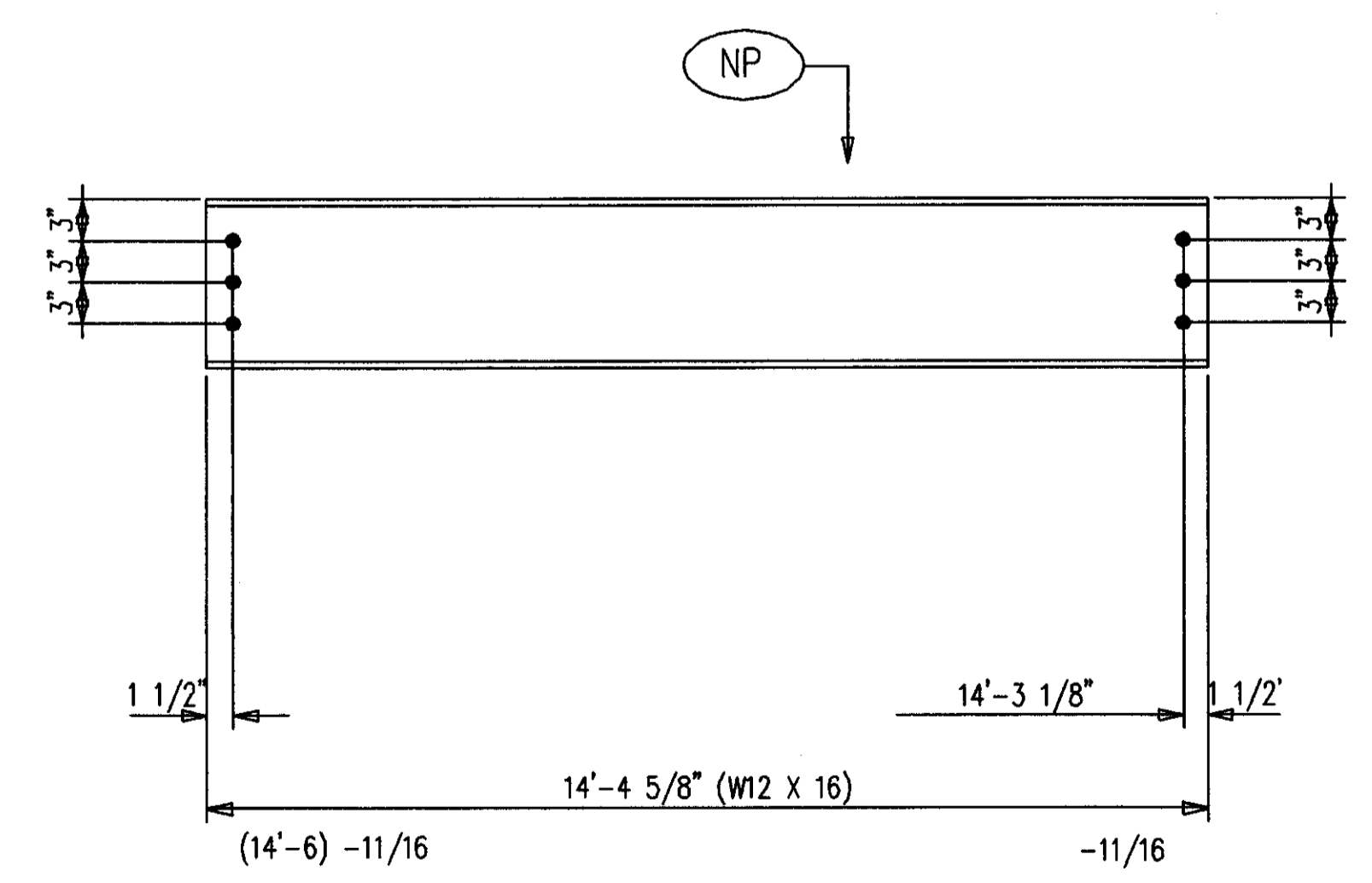
DATE	APP	SHOP	FIELD

NO.	DATE	REVISION DESCRIPTION	DWN	CHKD
CONTRACTOR TO CHECK ALL DIMENSIONS AT JOB AS MID STATES STEEL PRODUCTS CO. ASSUMES NO RESPONSIBILITY FOR GENERAL BUILDING DIMENSIONS. NO BACK CHARGES PERTAINING TO THIS WORK WILL BE ACCEPTED WITHOUT PRIOR AUTHORIZATION BY MID STATES STEEL PRODUCTS CO.				
MATERIAL U/N	A36	DRAWN BY	JDL	JOB NAME
OPEN HOLES U/N	1 1/16"	DATE	9/98	COMMONWEALTH STADIUM EXPANSION
WELD ELECTRODE U/N	E70XX	CHECKED BY	GCL	JOB LOCATION
ALL A325 BOLTS W/ONE HARD WASH. AND HVY HEX NUT	SHOP PAINT SEE SPECS	DATE	9/98	UNIVERSITY OF KENTUCKY
ALL A307 BOLTS W/HEX NUT	DATE	9/98	ENGINEER	TURNER CONSTRUCTION COMPANY
DRAWING TITLE				BEAMS
DRAWING NO.				P3524
P.O. BOX 11128-2044 BUCK LANE LEXINGTON, KENTUCKY 40511 PHONE: 606-233-4344 FAX: 606-233-4346				ORDER NO.
FABRICATORS OF STRUCTURAL AND MISCELLANEOUS STEEL				SHEET NO. 535

Cab # Slot Document #  
 206 C-2 34865



ONE-BEAM 536B1 R [AS SHOWN]  
 ONE-BEAM 536B1 L [OPP HAND]  
 120-A490 1 X 2 3/4 F1644H



4-BEAMS 536B2  
 24-A490 1 X 2 1/2 F1640H

### BILL OF MATERIAL

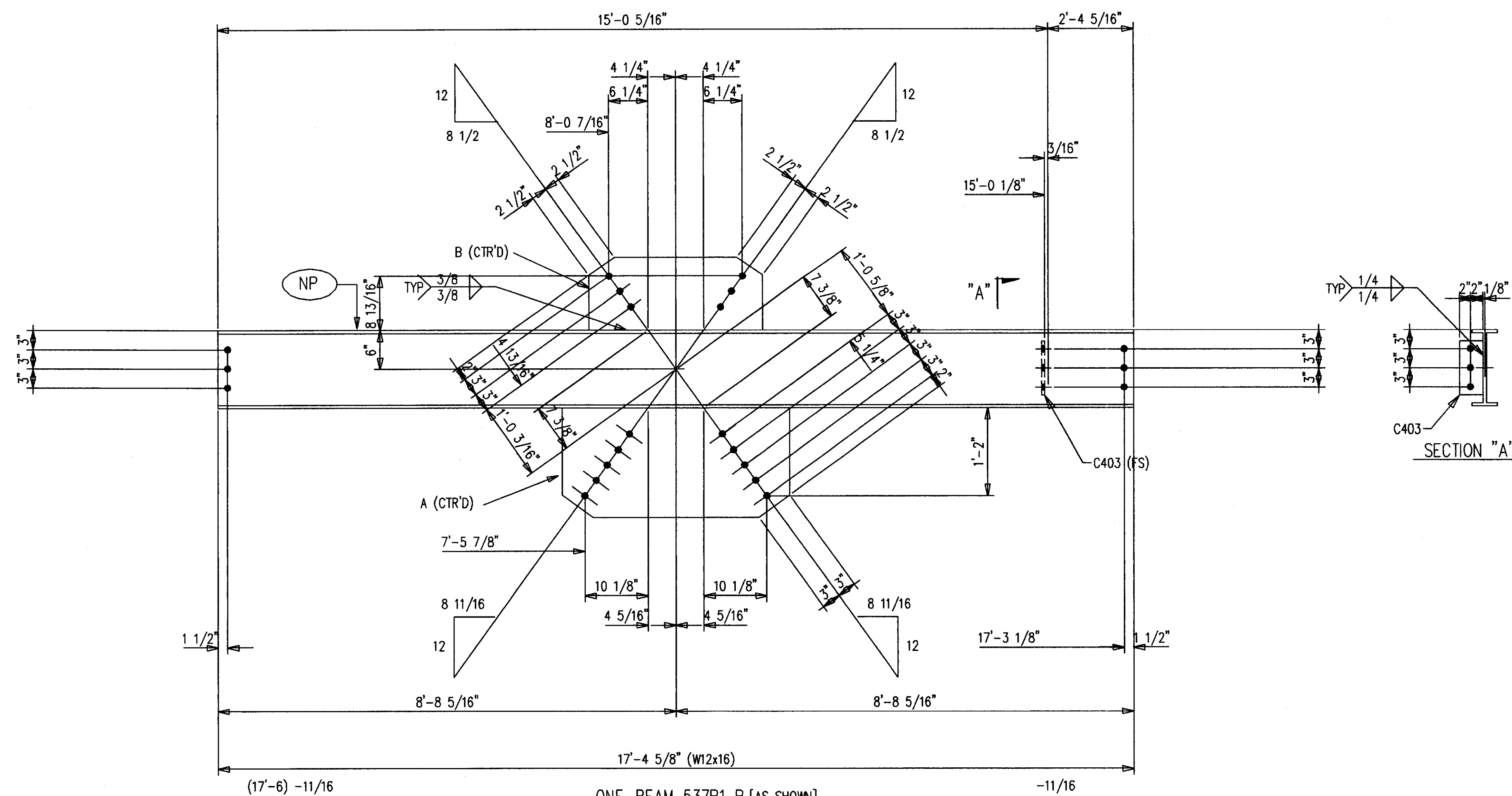
MARK	QUAN.	DESCRIPTION	LENGTH		REMARKS
			FT.	IN.	
536B1 L	ONE	BEAM			
536B1	1	W12X16 A572	17	4-5/8	
A421	8	L4X3X1/2	1	6	P
A536	2	PL1X17-3/8	1	9	P
B421	4	L4X3X1/2	0	9	P
B536	2	PL1X17-5/16	1	9	P
536B1 R	ONE	BEAM			
536B1	1	W12X16 A572	17	4-5/8	
A421	8	L4X3X1/2	1	6	P
A536	2	PL1X17-3/8	1	9	P
B421	4	L4X3X1/2	0	9	P
B536	2	PL1X17-5/16	1	9	P
536B2	4	BEAMS			
536B2	4	W12X16 A572	14	4-5/8	P
		FIELD BOLTS			
F1640H	25	A490 1X2-1/2			
F1644H	122	A490 1X2-3/4			
F16L1	146	A LOAD IND 1			

SHOP NOTES:  
 1. ALL STEEL GETS PRIMER ONLY.  
 2. P=PRIMER ONLY AS DIMENSIONED.  
 3. NP=NO PAINT IN 3" WIDE STRIP, CENTER OF BEAM, FULL LENGTH.

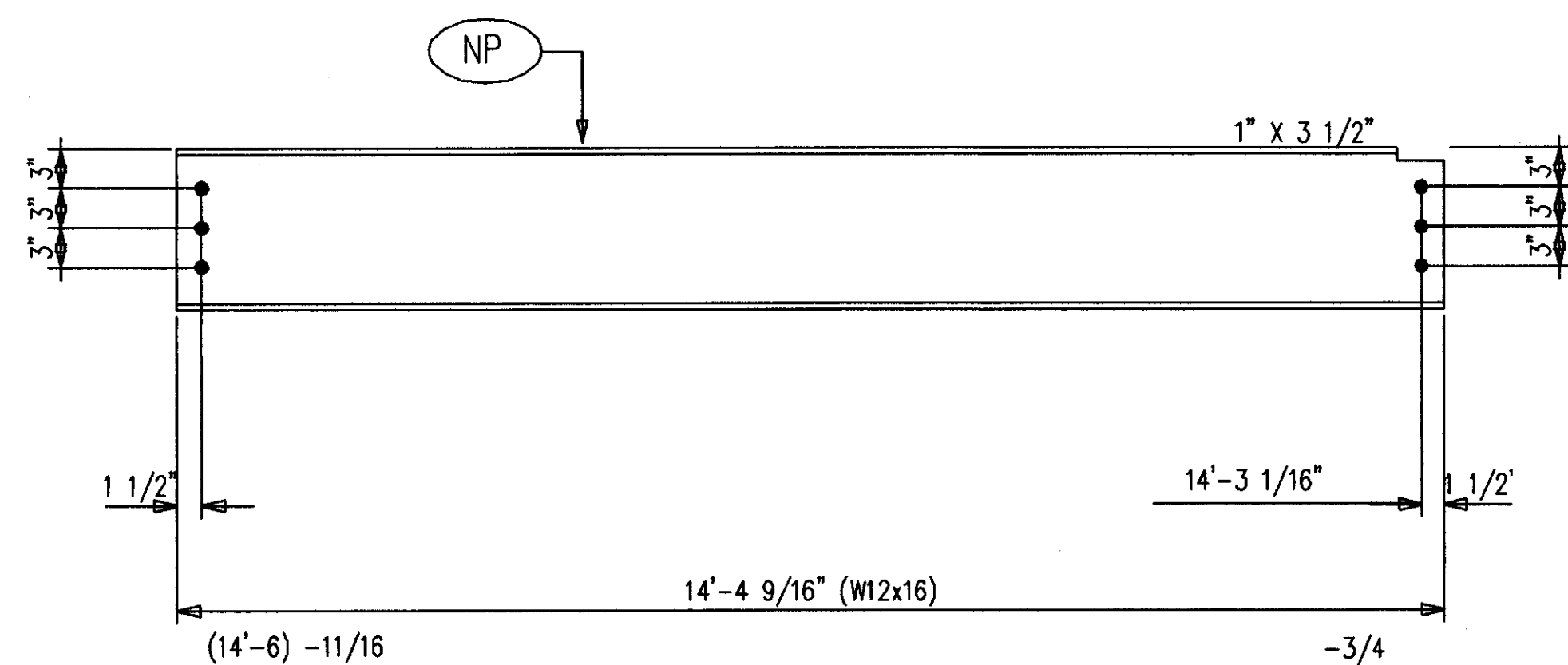
**AS BUILT**  
 NAME: *Max Hughes*  
 DATE: **AUG 16 1999**

NO.	DATE	REVISION DESCRIPTION	DWN	CHKD	
CONTRACTOR TO CHECK ALL DIMENSIONS AT JOB AS MID STATES STEEL PRODUCTS CO. ASSUMES NO RESPONSIBILITY FOR GENERAL BUILDING DIMENSIONS. NO BACK CHARGES PERTAINING TO THIS WORK WILL BE ACCEPTED WITHOUT PRIOR AUTHORIZATION BY MID STATES STEEL PRODUCTS CO.					
MATERIAL U/N	A36	DRAWN BY	JDL	JOB NAME	COMMONWEALTH STADIUM EXPANSION
OPEN HOLES U/N	1 1/16"	DATE	9/98	JOB LOCATION	UNIVERSITY OF KENTUCKY
WELD ELECTRODE U/N	E70XX	CHECKED BY	GCL	CONTRACTOR	TURNER CONSTRUCTION COMPANY
SHOP PAINT	SEE SPECS	DATE	9/98	ENGINEER	WALTER P. MOORE AND ASSOCIATES, INC.
DRAWING TITLE	BEAMS				
DATE	APP	SHOP	FIELD	ORDER NO.	P3524
				SHEET NO.	536
P.O. BOX 11128-2044 BUCK LANE LEXINGTON, KENTUCKY 40511 PHONE: 606-253-4344 FAX: 606-253-4346 <b>MID STATES STEEL PRODUCTS CO.</b> FABRICATORS OF STRUCTURAL AND MISCELLANEOUS STEEL					





ONE-BEAM 537B1 R [AS SHOWN]  
 ONE-BEAM 537B1 L [OPP HAND]  
 12-A490 1 X 2 1/4 F1636H



2-BEAMS 537B2  
 12-A490 1 X 2 1/4 F1636H

SHOP NOTES:  
 1. ALL STEEL GETS PRIMER ONLY.  
 2. P=PRIMER ONLY AS DIMENSIONED.  
 3. NP=NO PAINT IN 3" WIDE STRIP, CENTER OF BEAM, FULL LENGTH.

**AS BUILT**  
 NAME: *Max Hughes*  
 DATE: **AUG 18 1999**

**BILL OF MATERIAL**

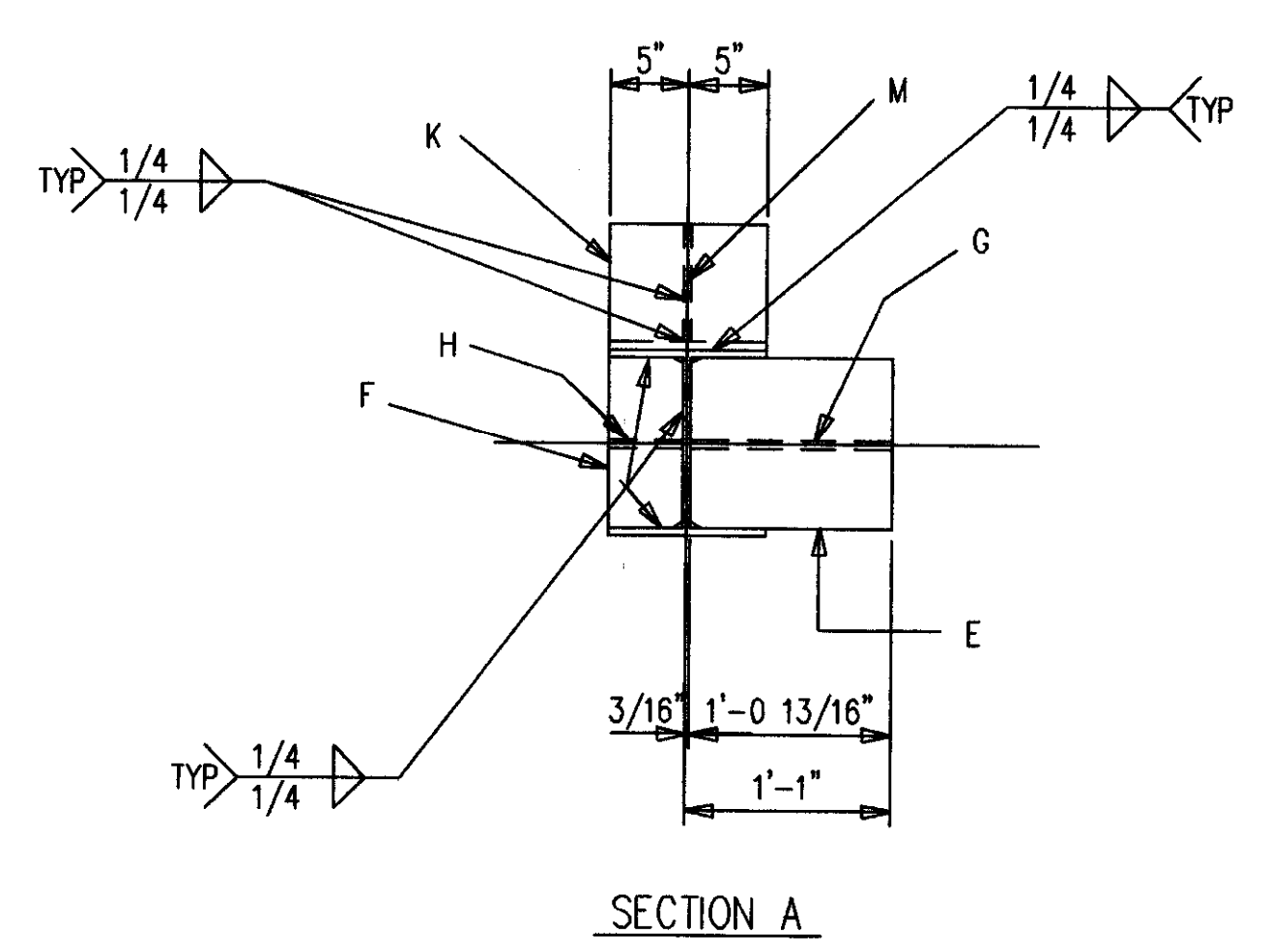
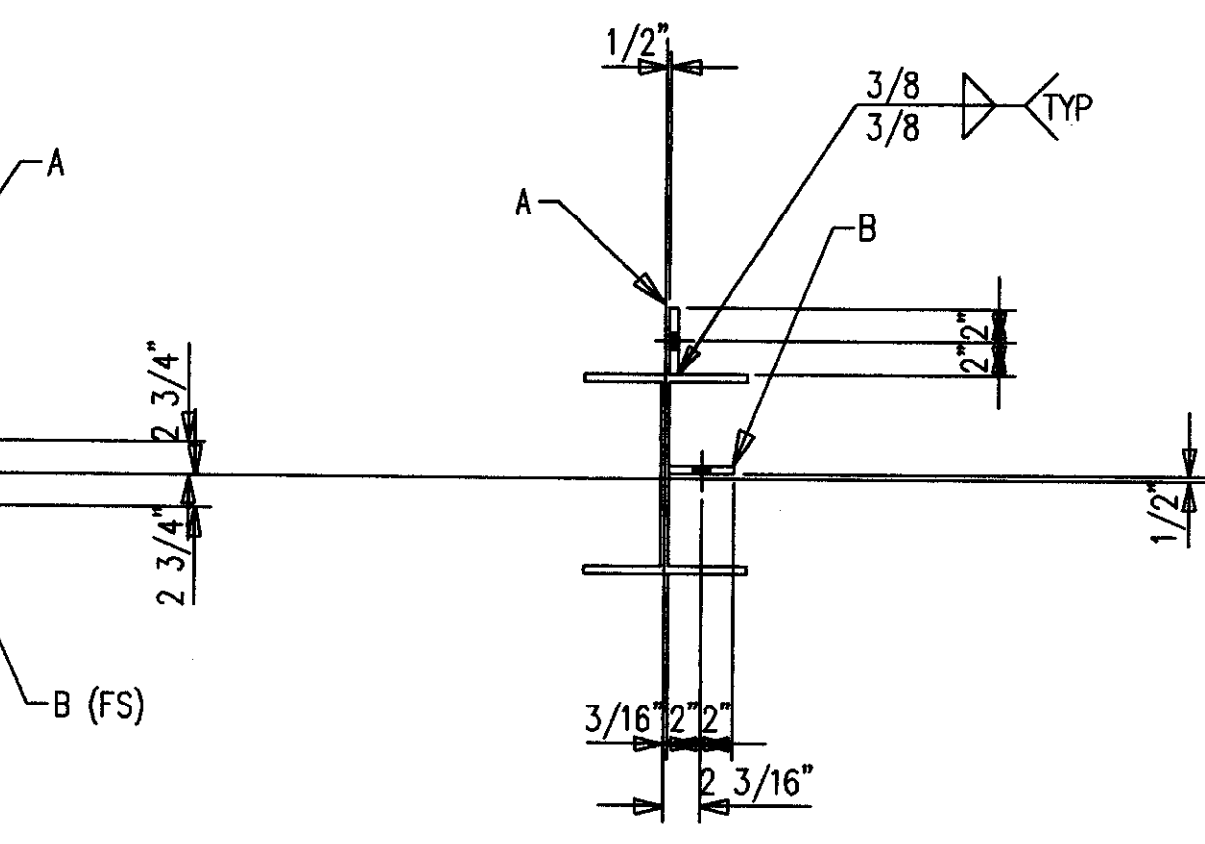
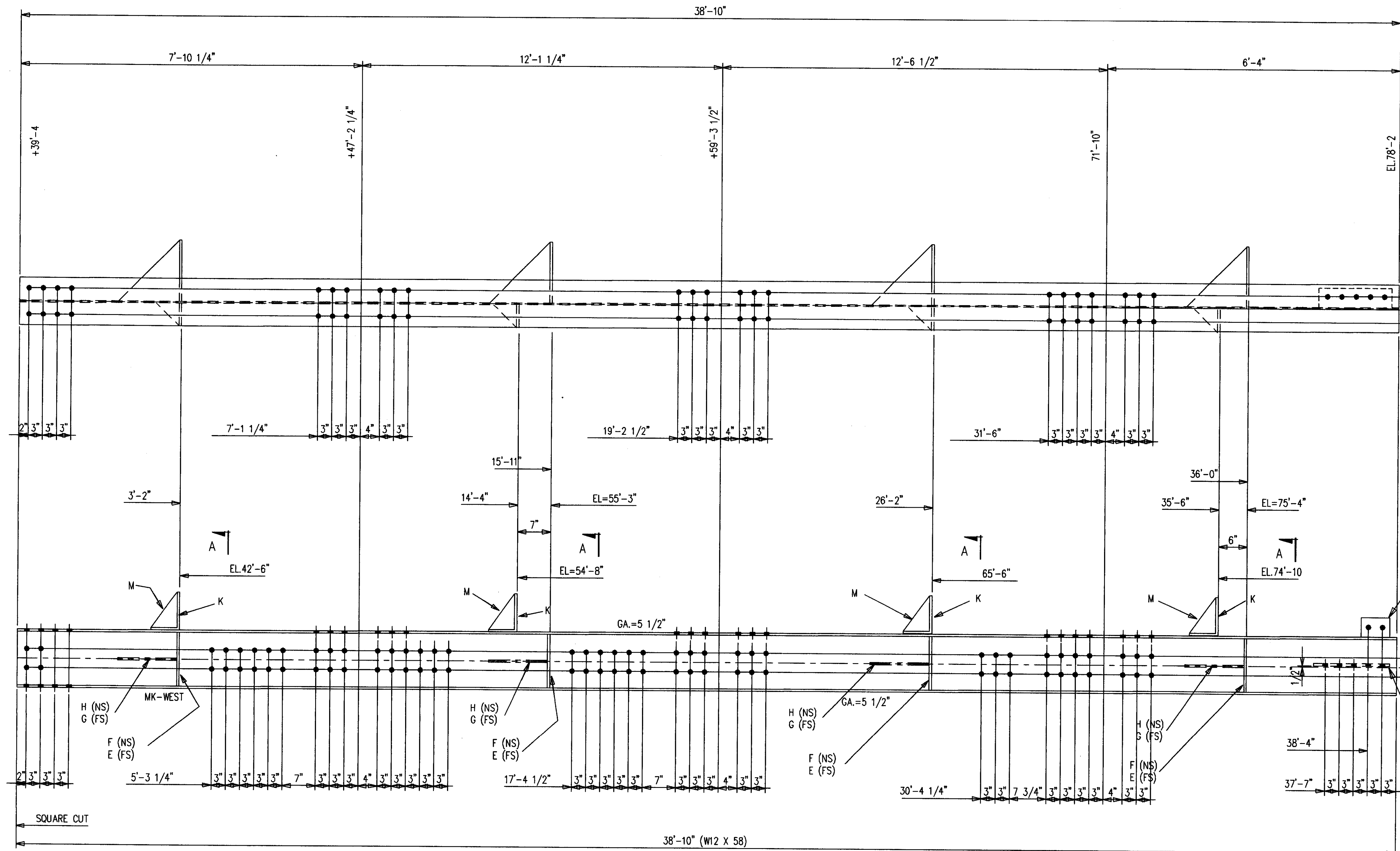
MARK	QUAN.	DESCRIPTION	LENGTH		REMARKS
			FT.	IN.	
537B1 L	ONE	BEAM			
537B1	1	W12X16 A572	17	4-5/8	P
A537	1	PL1X17-3/8	3	0-1/8	P
B537	1	PL1X11-7/8	2	3-3/8	P
C403	1	FB1/2X4	0	9	P
537B1 R	ONE	BEAM			
537B1	1	W12X16 A572	17	4-5/8	P
A537	1	PL1X17-3/8	3	0-1/8	P
B537	1	PL1X11-7/8	2	3-3/8	P
C403	1	FB1/2X4	0	9	P
537B2	2	BEAMS			
537B2	2	W12X16 A572	14	4-9/16	P
		FIELD BOLTS			
F1636H	25	A490 1X2-1/4			
F16LI	25	A LOAD IND 1			

DATE	APP	SHOP	FIELD

NO.		DATE		REVISION DESCRIPTION		DRW	CHKD
CONTRACTOR TO CHECK ALL DIMENSIONS AT JOB AS MID STATES STEEL PRODUCTS CO. ASSUMES NO RESPONSIBILITY FOR GENERAL BUILDING DIMENSIONS. NO BACK CHARGES PERTAINING TO THIS WORK WILL BE ACCEPTED WITHOUT PRIOR AUTHORIZATION BY MID STATES STEEL PRODUCTS CO.							
MATERIAL U/M	A36	DRAWN BY	JDL	JOB NAME	COMMONWEALTH STADIUM EXPANSION		
OPEN HOLES U/M	1 1/16Ø	DATE	9/98	JOB LOCATION	UNIVERSITY OF KENTUCKY		
WELD ELECTRODE U/M	E70XX	CHECKED BY	GCL	CONTRACTOR	TURNER CONSTRUCTION COMPANY		
SHOP PAINT	SEE SPECS	DATE	9/98	ENGINEER	WALTER P. MOORE AND ASSOCIATES, INC.		
ALL RE-ENTRANT CUTS MIN. 1/2" RAD. U/M				DRAWING TITLE			
ALL A325 BOLTS w/ONE HARD WASH. AND HYV HEX NUT				BEAMS			
ALL A307 BOLTS w/HEX NUT				P.O. BOX 11128-2044 BUCK LANE			
				LEXINGTON, KENTUCKY 40511			
				PHONE: 606-233-4344 FAX: 606-233-4346			
				ORDER NO.			
				P3524			
				SHEET NO.			
				537			
FABRICATORS OF STRUCTURAL AND MISCELLANEOUS STEEL							

# BILL OF MATERIAL

MARK	QUAN.	DESCRIPTION	LENGTH		REMARKS
			FT.	IN.	
538C1 L	ONE	COLUMN			
538C1	1	W12X58 A572	38	10	SC1E/P
A538	1	FB1/2X4	0	6	P
B538	1	FB1/2X4	1	3	P
E538	4	FB3/8X11	1	0-13/16	STIFF
F538	4	PL3/8X4-3/4	0	11	STIFF
G538	4	PL3/8X12-3/4	1	0-3/4	STIFF
H538	4	PL3/8X4-3/4	0	4-3/4	STIFF
K538	4	L8X6X1/2	0	10	
M538	4	FB3/8X5-1/2	0	7-1/2	STIFF
538C1 R	ONE	COLUMN			
538C1	1	W12X58 A572	38	10	SC1E/P
A538	1	FB1/2X4	0	6	P
B538	1	FB1/2X4	1	3	P
E538	4	FB3/8X11	1	0-13/16	STIFF
F538	4	PL3/8X4-3/4	0	11	STIFF
G538	4	PL3/8X12-3/4	1	0-3/4	STIFF
H538	4	PL3/8X4-3/4	0	4-3/4	STIFF
K538	4	L8X6X1/2	0	10	
M538	4	FB3/8X5-1/2	0	7-1/2	STIFF
		FIELD BOLTS			
F1644H	9	A490 1X2-3/4			
F1652H	33	A490 1X3-1/4			
F16L1W	41	A LOAD IND 1			



ONE-COLUMN 538C1 R [AS SHOWN]  
 ONE-COLUMN 538C1 L [OPP HAND]  
 8-A490 1 X 2 3/4 F1644H  
 32-A490 1 X 3 1/4 F1652H

SHOP NOTES:  
 1. PRIMER ONLY 3" AROUND ALL HOLES UNLESS NOTED PF(PRIMER/FINISH).  
 2. P=PRIMER ONLY AS DIMENSIONED.  
 3. NP=NO PAINT IN 3" WIDE STRIP, CENTER OF BEAM, FULL LENGTH.

**AS BUILT**  
 NAME: *Jep Hughes*  
 DATE: **AUG 16 1999**

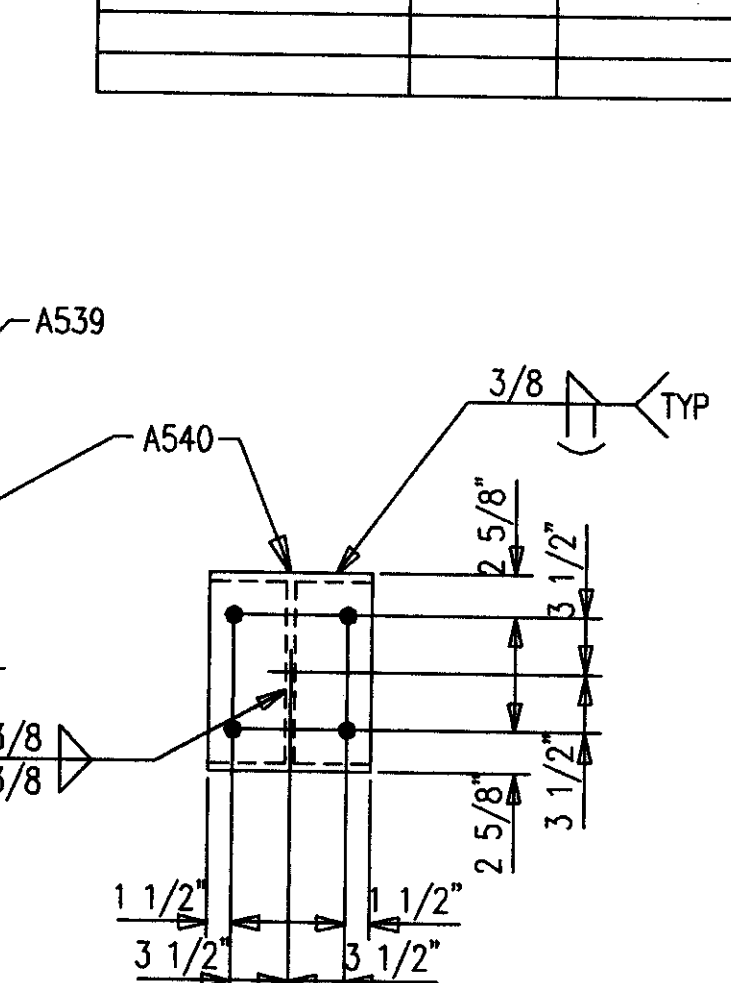
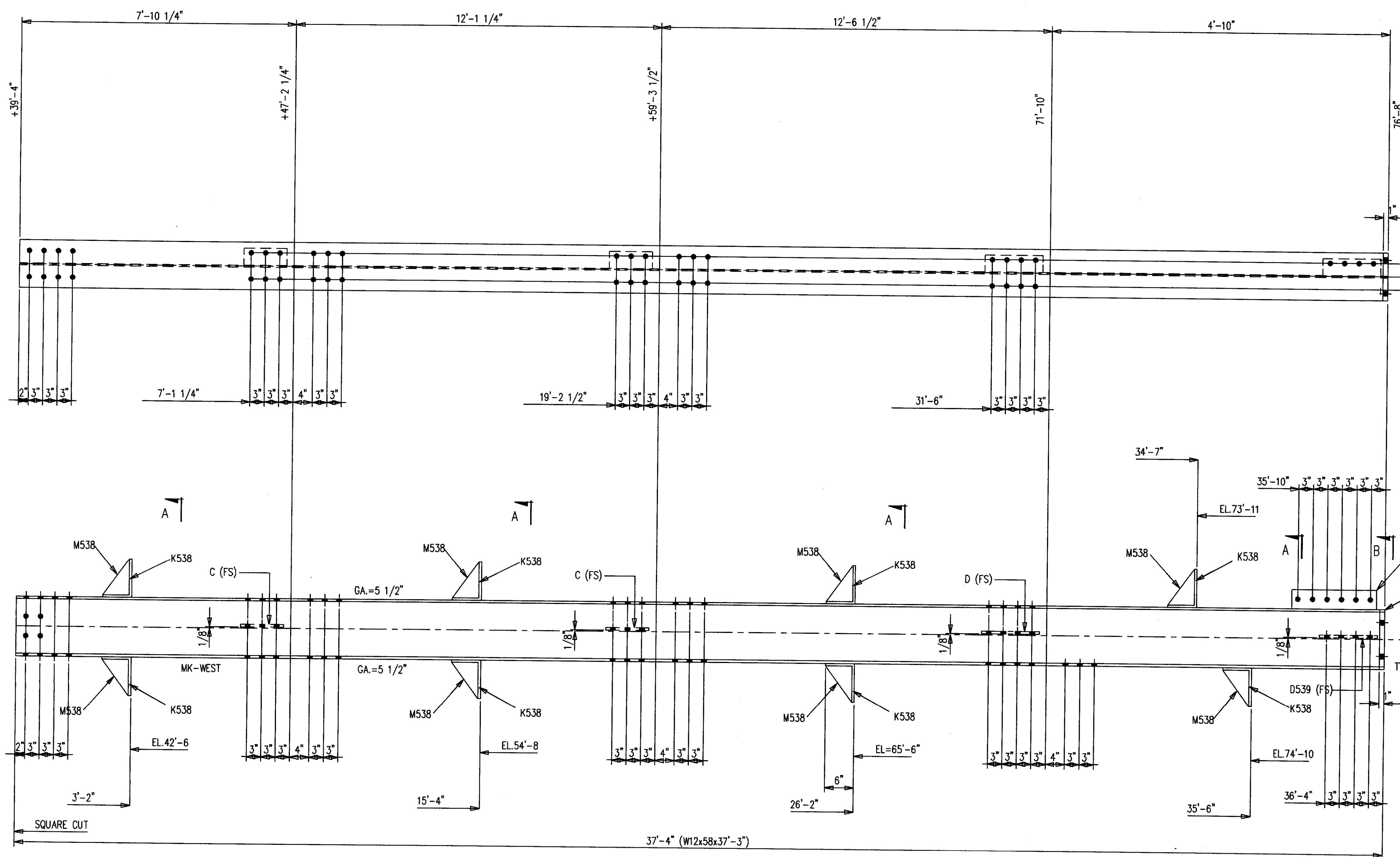
ALL RE-ENTRANT CUTS MIN. 1/2" RAD. U/N			WELD ELECTRODE U/A E70XX		
ALL A325 BOLTS w/ONE HARD WASH. AND HYV HEX NUT			CHECKED BY GCL DATE 9/98		
ALL A307 BOLTS w/HEX NUT			CONTRACTOR TURNER CONSTRUCTION COMPANY		
DRAWING TITLE COLUMN			ENGINEER WALTER P. MOORE AND ASSOCIATES, INC.		
DATE	APP	SHOP	FIELD	P.O. BOX 11128-2044 BUCK LANE LEXINGTON, KENTUCKY 40511 PHONE: 606-233-4344 FAX: 606-233-4346	
				ORDER NO. P3524	
				SHEET NO. 538	

MID STATES STEEL PRODUCTS CO.  
 FABRICATORS OF STRUCTURAL AND MISCELLANEOUS STEEL

Document # 34868  
 Cab # 206  
 Slot D-2

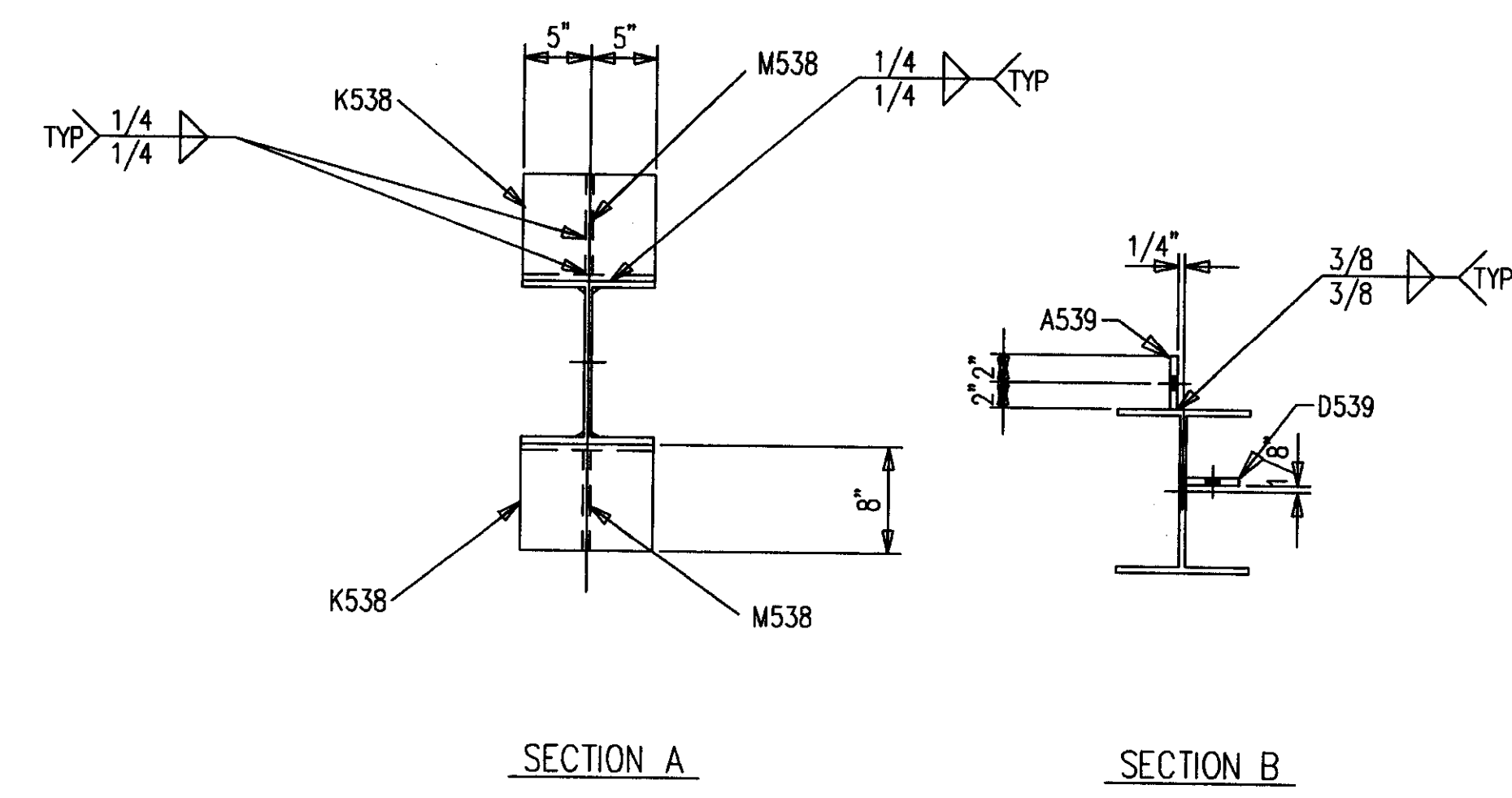
# BILL OF MATERIAL

MARK	QUAN.	DESCRIPTION	LENGTH		REMARKS
			FT.	IN.	
539C1	ONE	COLUMN			
539C1	1	W12x58 A572	37	3	SC1E/P
A539	1	FB1/2x4	1	6	P
A540	1	FB1x10	1	0-1/4	P
C539	2	FB1/2x4	0	9	P
D539	2	FB1/2x4	1	0	P
K538	8	L8x6x1/2	0	10	
M538	8	FB3/8x5-1/2	0	7-1/2	STIFF
FIELD BOLTS					
F1644H	5	A490 1X2-3/4			
F1652H	17	A490 1X3-1/4			
F16LIW	21	A LOAD IND 1			



**ONE-COLUMN 539C1**  
 4-A490 1 X 2 3/4 F1644H  
 16-A490 1 X 3/4 F1652H

**SHOP NOTES:**  
 1. PRIMER ONLY 3" AROUND ALL HOLES UNLESS NOTED PF(PRIMER/FINISH).  
 2. P=PRIMER ONLY AS DIMENSIONED.  
 3. NP=NO PAINT IN 3" WIDE STRIP, CENTER OF BEAM, FULL LENGTH.



**AS BUILT**  
 NAME: *Map Hughes*  
 DATE: **AUG 16 1999**

DATE	APP	SHOP	FIELD

NO.	DATE	REVISION DESCRIPTION	DWN	CHKD

CONTRACTOR TO CHECK ALL DIMENSIONS AT JOB AS MID STATES STEEL PRODUCTS CO. ASSUMES NO RESPONSIBILITY FOR GENERAL BUILDING DIMENSIONS. NO BACK CHARGES PERTAINING TO THIS WORK WILL BE ACCEPTED WITHOUT PRIOR AUTHORIZATION BY MID STATES STEEL PRODUCTS CO.

MATERIAL U/N	A36	DRAWN BY	JDL	JOB NAME	COMMONWEALTH STADIUM EXPANSION
OPEN HOLES U/N	1 1/16"	DATE	9/98	JOB LOCATION	UNIVERSITY OF KENTUCKY
WELD ELECTRODE U/N	E70XX	CHECKED BY	GCL	CONTRACTOR	TURNER CONSTRUCTION COMPANY
SHOP PAINT	SEE SPECS	DATE	9/98	ENGINEER	WALTER P. MOORE AND ASSOCIATES, INC.

DRAWING TITLE: **COLUMN**

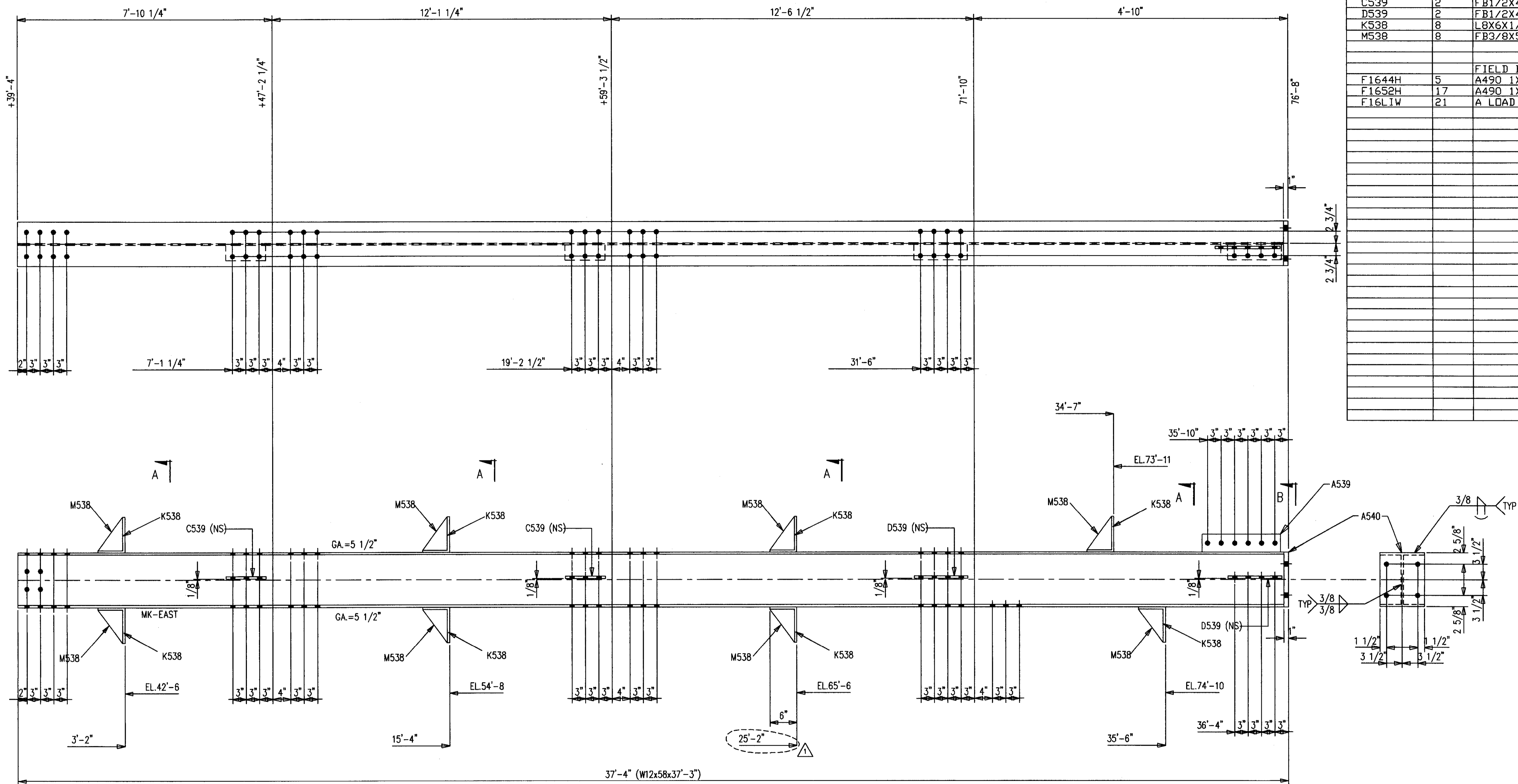
P.O. BOX 11128-2044 BUCK LANE  
 LEXINGTON, KENTUCKY 40511  
 PHONE: 606-233-4344 FAX: 606-233-4346

**MID STATES STEEL PRODUCTS CO.**  
 FABRICATORS OF STRUCTURAL AND MISCELLANEOUS STEEL

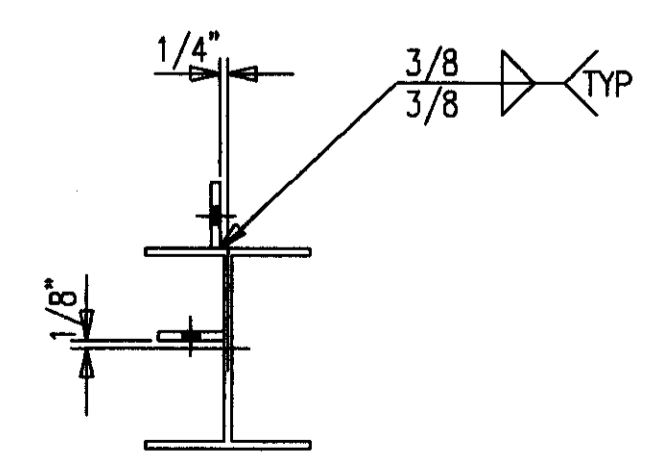
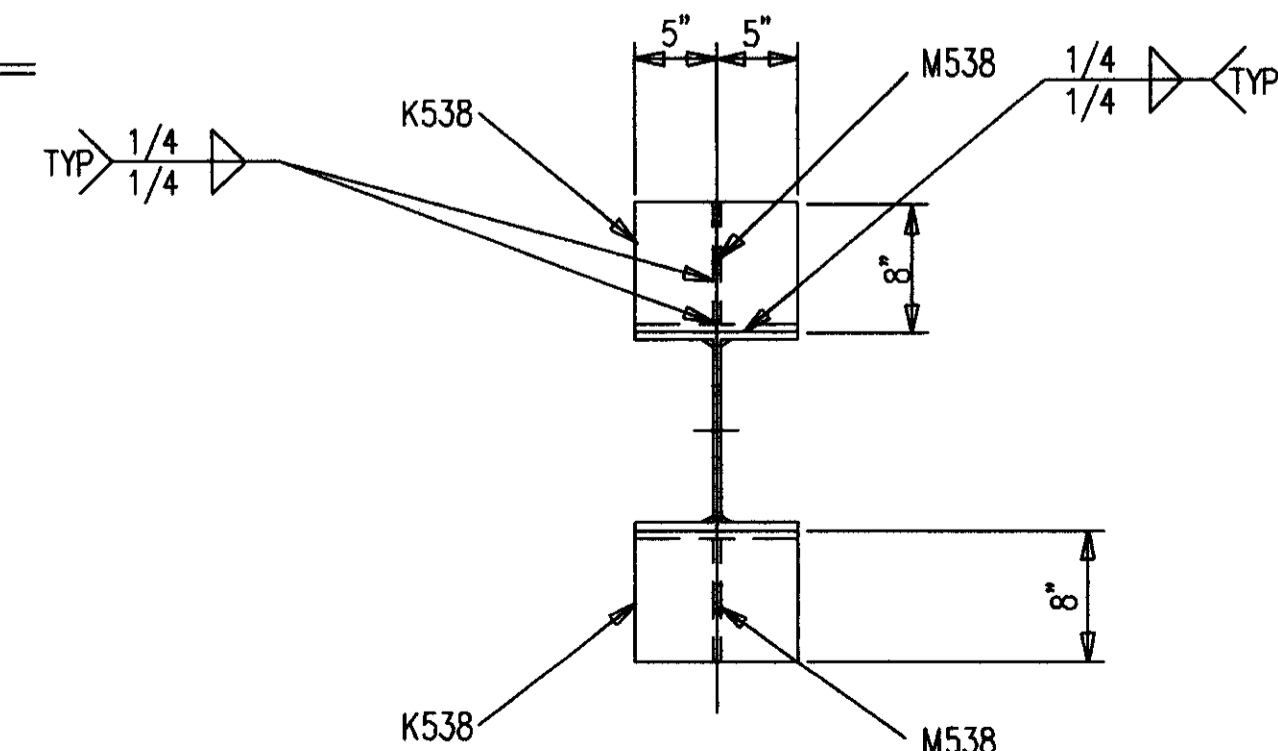
ORDER NO. **P3524**  
 SHEET NO. **539**

**BILL OF MATERIAL**

MARK	QUAN.	DESCRIPTION	LENGTH		REMARKS
			FT.	IN.	
540C1	ONE	COLUMN			
540C1	1	W12X58 A572	37	3	P/SC2E
A539	1	FB1/2X4	1	6	P
A540	1	FB1X10	1	0-1/4	P
C539	2	FB1/2X4	0	9	P
D539	2	FB1/2X4	1	0	P
K538	8	L8X6X1/2	0	10	
M538	8	FB3/8X5-1/2	0	7-1/2	STIFF
FIELD BOLTS					
F1644H	5	A490 1X2-3/4			
F1652H	17	A490 1X3-1/4			
F16LIW	21	A LOAD IND 1			



**ONE-COLUMN 540C1**  
 4-A490 1 X 2 3/4 F1644H  
 16-A490 1 X 3 1/4 F1652H



**SHOP NOTES:**  
 1. PRIMER ONLY 3" AROUND ALL HOLES UNLESS NOTED PF(PRIMER/FINISH).  
 2. P=PRIMER ONLY AS DIMENSIONED.  
 3. NP=NO PAINT IN 3" WIDE STRIP, CENTER OF BEAM, FULL LENGTH.

**AS BUILT**  
 NAME: *M. J. ...*  
 DATE: **AUG 16 1999**

DATE	APP	SHOP	FIELD

NO. 1	DATE 1/18/99	DESCRIPTION MOVED HAUNCH	BY	CHKD
CONTRACTOR TO CHECK ALL DIMENSIONS AT JOB AS MID STATES STEEL PRODUCTS CO. ASSUMES NO RESPONSIBILITY FOR GENERAL BUILDING DIMENSIONS. NO BACK CHARGES PERTAINING TO THIS WORK WILL BE ACCEPTED WITHOUT PRIOR AUTHORIZATION BY MID STATES STEEL PRODUCTS CO.				
MATERIAL U/N A36	DATE 9/98	DRAWN BY JDL	DATE 9/98	JOB NAME COMMONWEALTH STADIUM EXPANSION
OPEN HOLES U/N 1 1/16"	DATE 9/98	CHECKED BY GCL	DATE 9/98	JOB LOCATION UNIVERSITY OF KENTUCKY
WELD ELECTRODE U/N E70XX	DATE 9/98	CONTRACTOR TURNER CONSTRUCTION COMPANY	ENGINEER WALTER P. MOORE AND ASSOCIATES, INC.	
SHOP PAINT SEE SPECS				
DRAWING TITLE COLUMN				

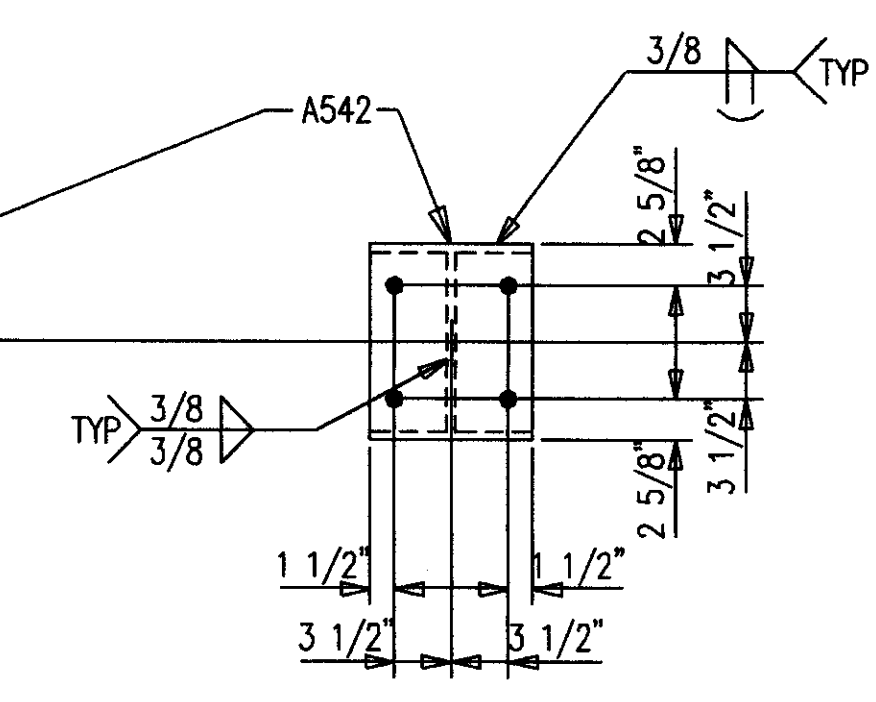
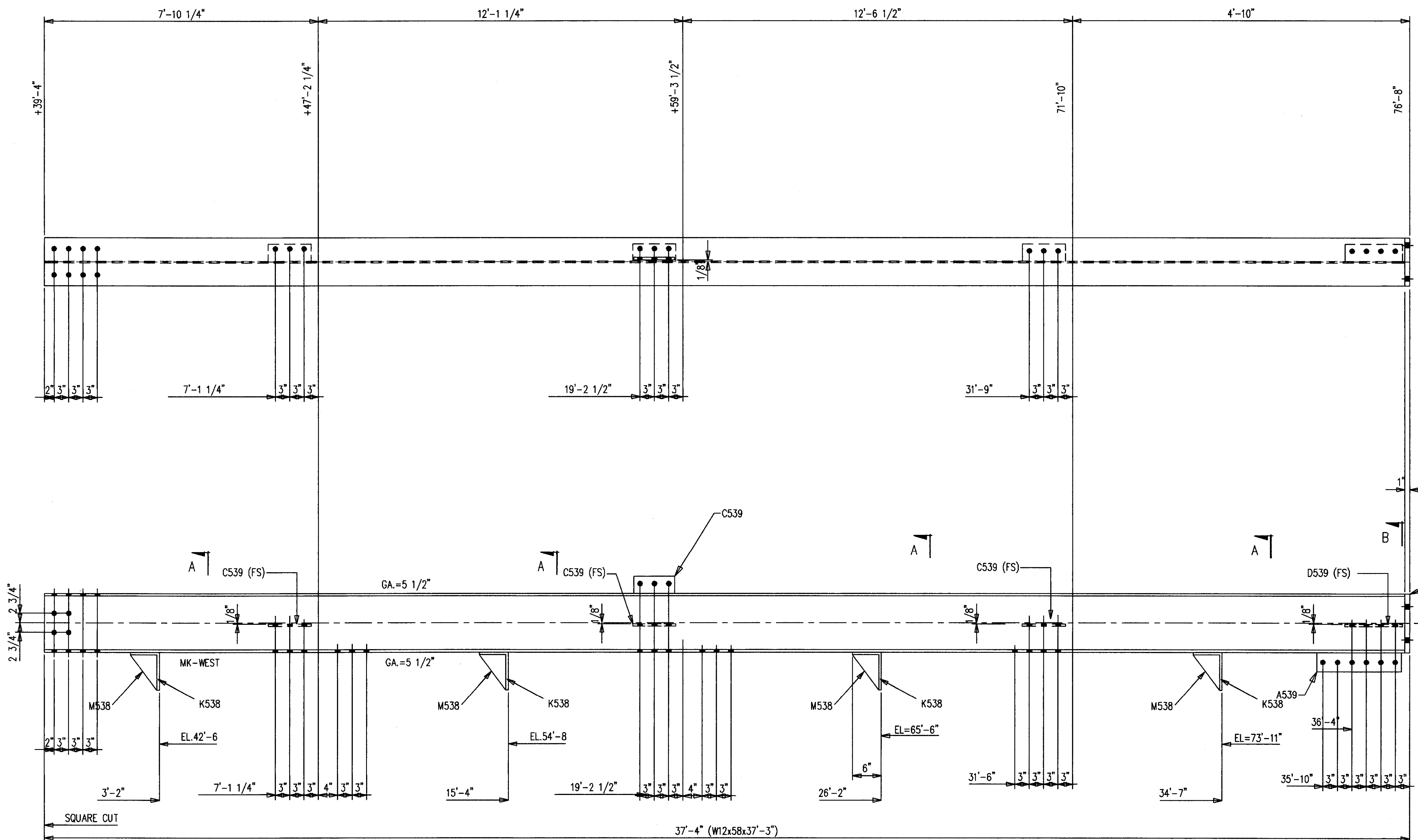
**MID STATES STEEL PRODUCTS CO.**  
 P.O. BOX 11128-2044 BUCK LANE  
 LEXINGTON, KENTUCKY 40511  
 PHONE: 606-233-4344 FAX: 606-233-4346  
 FABRICATORS OF STRUCTURAL AND MISCELLANEOUS STEEL

ORDER NO. **P3524**  
 SHEET NO. **540**

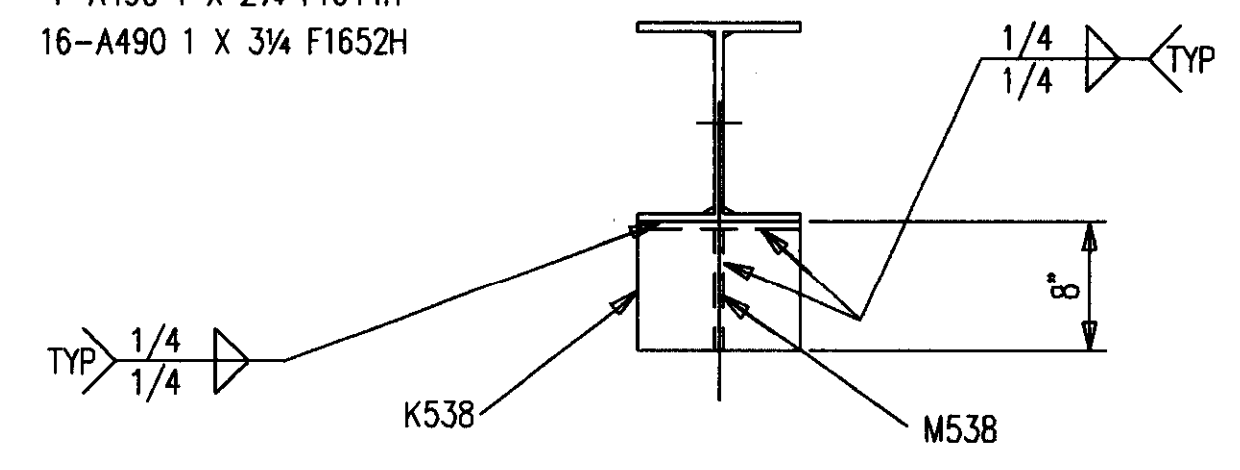
Document # 34870  
 Cab # 206 D-2

**BILL OF MATERIAL**

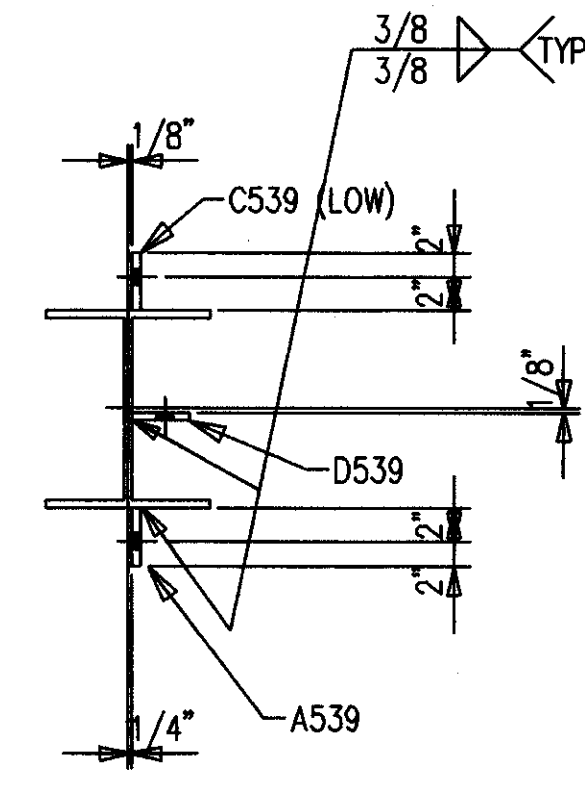
MARK	QUAN.	DESCRIPTION	LENGTH		REMARKS
			FT.	IN.	
541C1	ONE	COLUMN			
541C1	1	W12X58 A572	37	3	SC1E/P
A539	1	FBI2X4	1	6	P
A540	1	FBI1X10	1	0-1/4	P
C539	4	FBI2X4	0	9	P
D539	1	FBI2X4	1	0	P
K538	4	L8X6X1/2	0	10	
M538	4	FBI3/8X5-1/2	0	7-1/2	STIFF
		FIELD BOLTS			
F1644H	5	A490 1X2-3/4			
F1652H	17	A490 1X3-1/4			
F16L1W	21	A LOAD IND 1			



**ONE-COLUMN 541C1**  
 4-A490 1 X 2 3/4 F1644H  
 16-A490 1 X 3/4 F1652H



SECTION A



SECTION B

**SHOP NOTES:**  
 1. PRIMER ONLY 3" AROUND ALL HOLES UNLESS NOTED PF(PRIMER/FINISH).  
 2. P=PRIMER ONLY AS DIMENSIONED.  
 3. NP=NO PAINT IN 3" WIDE STRIP, CENTER OF BEAM, FULL LENGTH.

**AS BUILT**  
 NAME: *Max Hughes*  
 DATE: **AUG 16 1999**

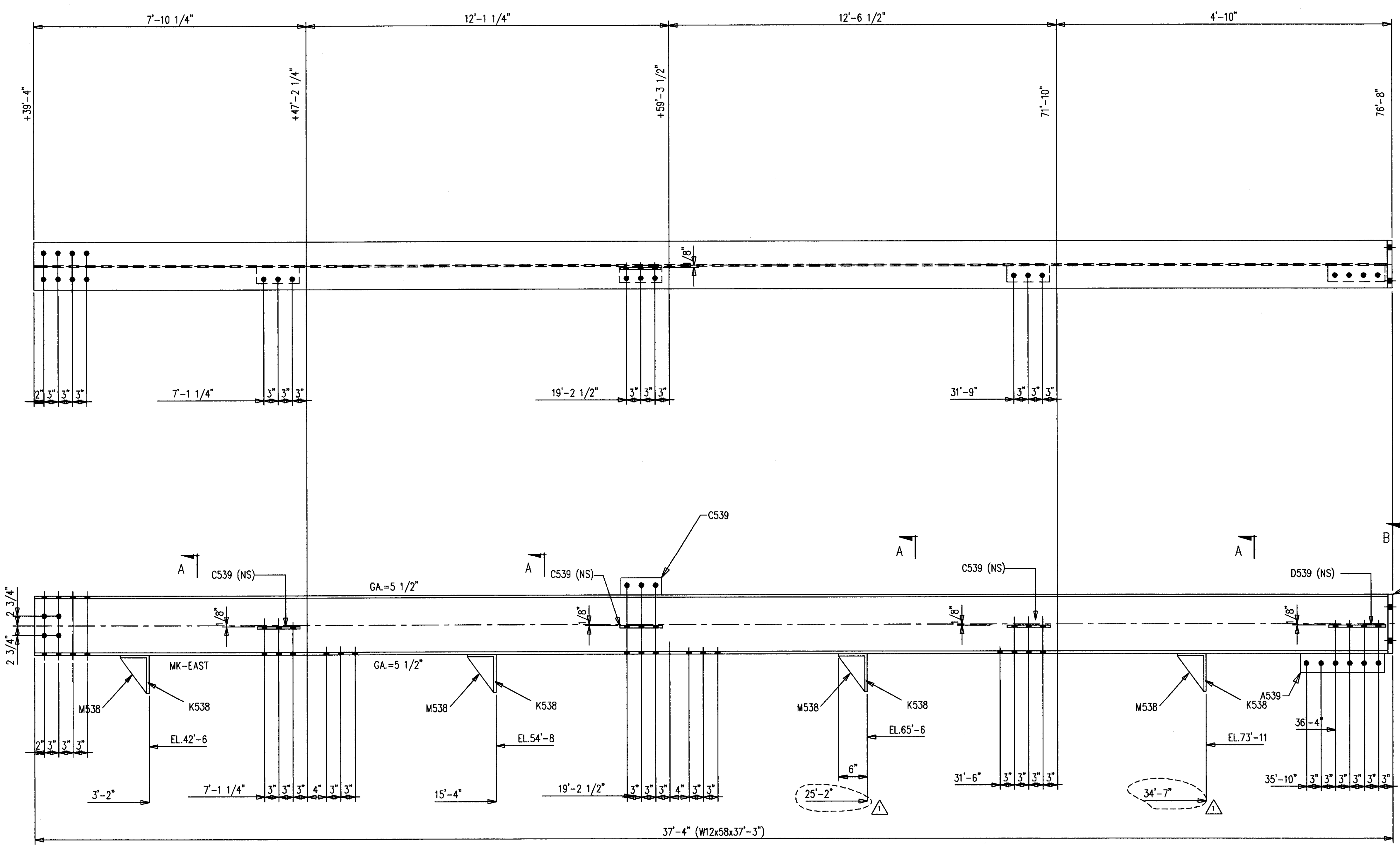
DATE	APP	SHOP	FIELD

NO. DATE		REVISION DESCRIPTION		DRAWN	CHECKED
CONTRACTOR TO CHECK ALL DIMENSIONS AT JOB AS MID STATES STEEL PRODUCTS CO. ASSUMES NO RESPONSIBILITY FOR GENERAL BUILDING DIMENSIONS. NO BACK CHARGES PERTAINING TO THIS WORK WILL BE ACCEPTED WITHOUT PRIOR AUTHORIZATION BY MID STATES STEEL PRODUCTS CO.					
MATERIAL U/M	A36	DRAWN BY	JDL	JOB NAME	COMMONWEALTH STADIUM EXPANSION
OPEN HOLES U/M	1 1/16"	DATE	9/98	JOB LOCATION	UNIVERSITY OF KENTUCKY
WELD ELECTRODE U/M	E70XX	CHECKED BY	GCL	CONTRACTOR	TURNER CONSTRUCTION COMPANY
SHOP PAINT	SEE SPECS	DATE	9/98	ENGINEER	WALTER P. MOORE AND ASSOCIATES, INC.
DRAWING TITLE		COLUMN			
P.O. BOX 11128-2044 BUCK LANE LEXINGTON, KENTUCKY 40511 PHONE: 606-253-4344 FAX: 606-253-4346				ORDER NO.	P3524
MID STATES STEEL PRODUCTS CO. FABRICATORS OF STRUCTURAL AND MISCELLANEOUS STEEL				SHEET NO.	541

Document # 34671  
 Cab # 810t  
 206 D-2

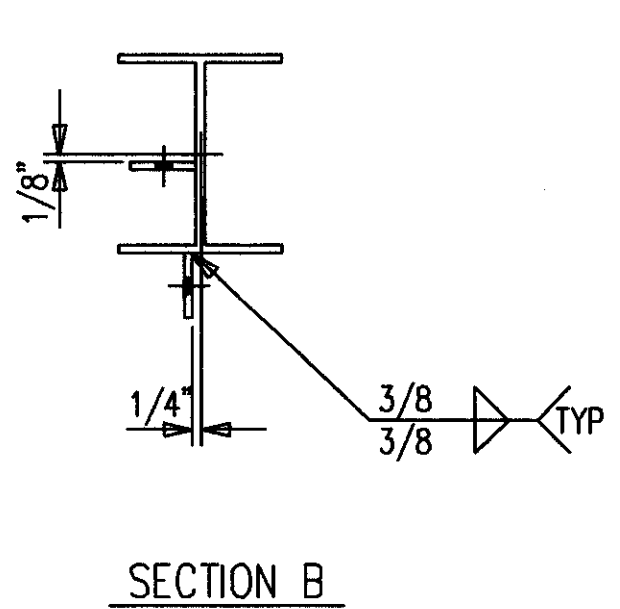
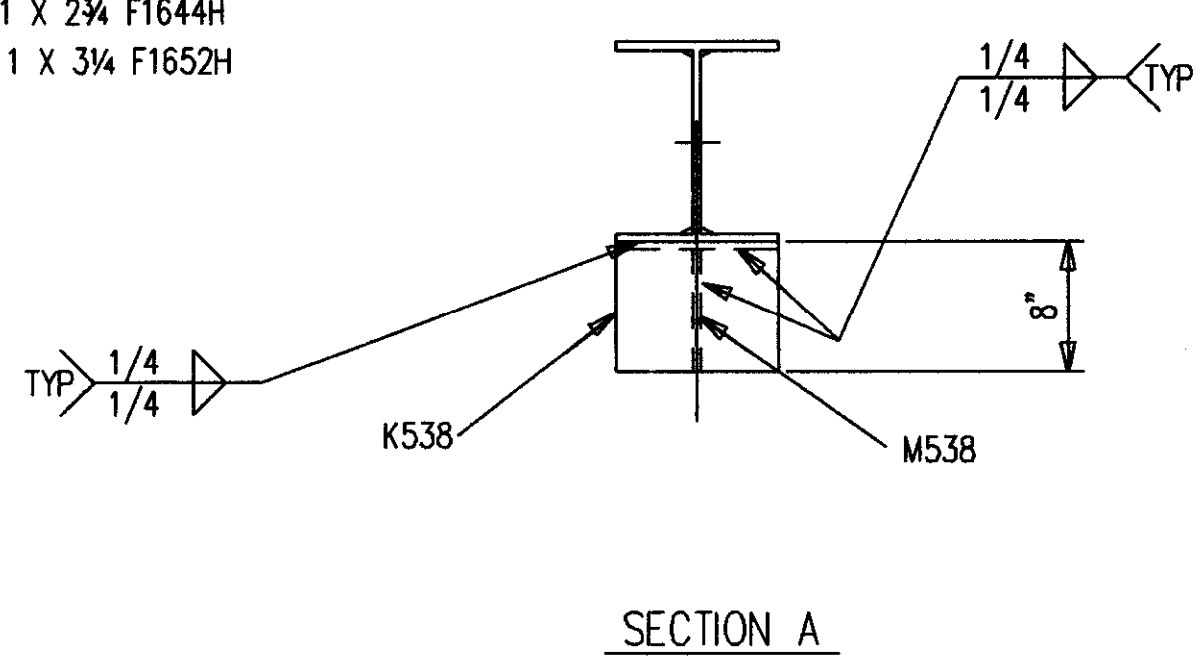
### BILL OF MATERIAL

MARK	QUAN.	DESCRIPTION	LENGTH		REMARKS
			FT.	IN.	
542C1	ONE	COLUMN			
542C1	1	W12X58 A572	37	3	P/SC2E
A539	1	FB1/2X4	1	6	P
A542	1	FB1X10	1	0-1/4	P
C539	4	FB1/2X4	0	9	P
D539	1	FB1/2X4	1	0	P
K538	4	L8X6X1/2	0	10	
M538	4	FB3/8X5-1/2	0	7-1/2	STIFF
FIELD BOLTS					
F1644H	5	A490 1X2-3/4			
F1652H	17	A490 1X3-1/4			
F16L1W	21	A LOAD IND 1			



SHOP NOTES:  
 1. PRIMER ONLY 3" AROUND ALL HOLES UNLESS NOTED PF(PRIMER/FINISH).  
 2. P=PRIMER ONLY AS DIMENSIONED.  
 3. NP=NO PAINT IN 3" WIDE STRIP, CENTER OF BEAM, FULL LENGTH.

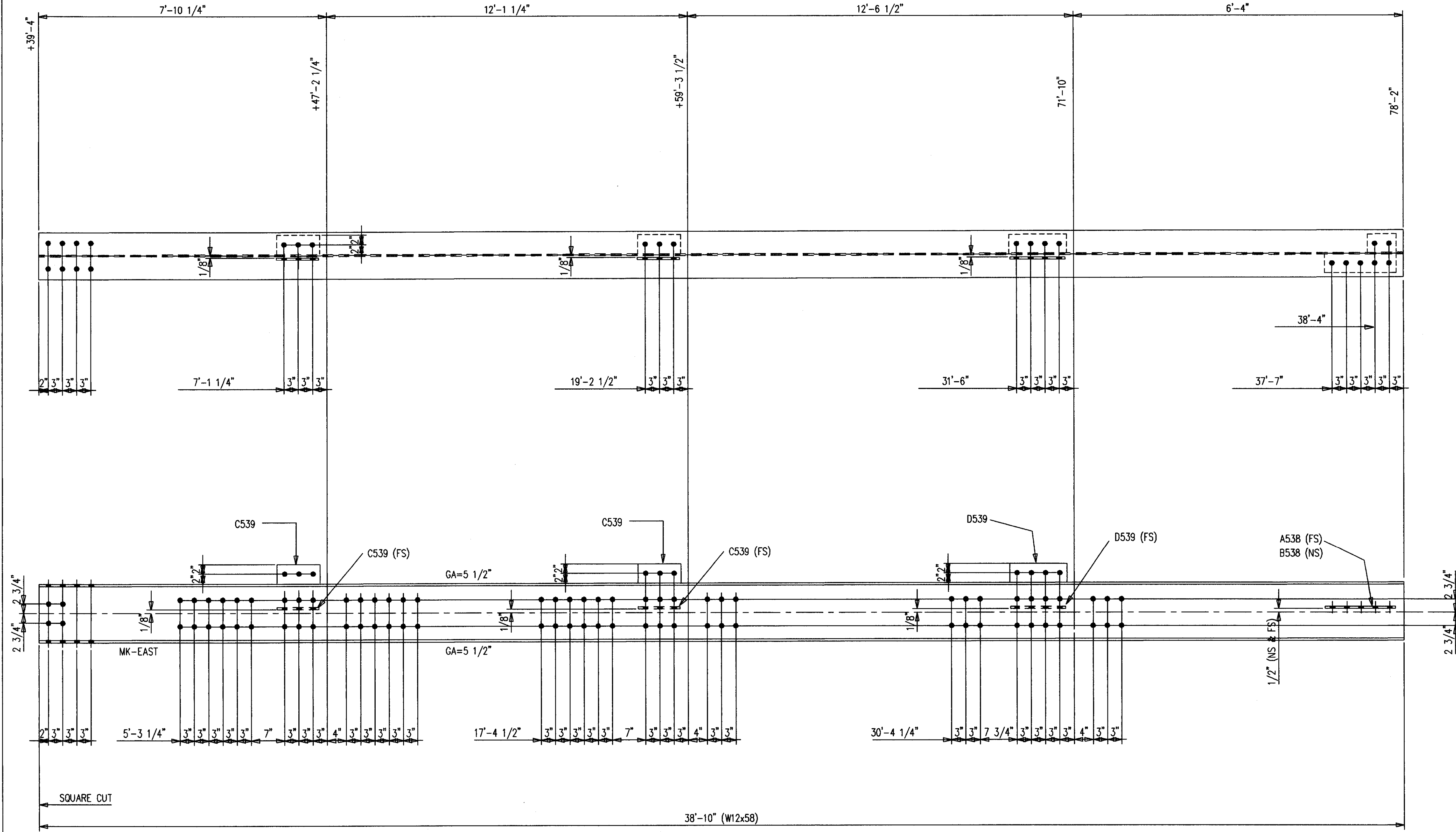
ONE-COLUMN 542C1  
 4-A490 1 X 2 3/4 F1644H  
 16-A490 1 X 3 1/4 F1652H



**AS BUILT**  
 NAME: *Max Hughes*  
 DATE: **AUG 16 1999**

DATE	APP.	SHOP	FIELD

NO.	DATE	REVISION DESCRIPTION	DWN	CHKD
1	1/18/99	MOVED HAUNCH		
CONTRACTOR TO CHECK ALL DIMENSIONS AT JOB AS MID STATES STEEL PRODUCTS CO. ASSUMES NO RESPONSIBILITY FOR GENERAL BUILDING DIMENSIONS. NO BACK CHARGES PERTAINING TO THIS WORK WILL BE ACCEPTED WITHOUT PRIOR AUTHORIZATION BY MID STATES STEEL PRODUCTS CO.				
MATERIAL U/A	A36	DRAWN BY	JDL	JOB NAME
OPEN HOLES U/A	1 1/16"	DATE	9/98	COMMONWEALTH STADIUM EXPANSION
WELD ELECTRODE U/A	E70XX	CHECKED BY	GCL	JOB LOCATION
SHOP PAINT	SEE SPECS	DATE	9/98	UNIVERSITY OF KENTUCKY
DRAWING TITLE	COLUMN	CONTRACTOR	TURNER CONSTRUCTION COMPANY	
ENGINEER		WALTER P. MOORE AND ASSOCIATES, INC.		
P.O. BOX 11128-2044 BUCK LANE LEXINGTON, KENTUCKY 40511 PHONE: 606-253-4344 FAX: 606-253-4346				ORDER NO.
<b>MID STATES STEEL PRODUCTS CO.</b> FABRICATORS OF STRUCTURAL AND MISCELLANEOUS STEEL				P3524
				SHEET NO.
				542



ONE-COLUMN 543C1 R [AS SHOWN]  
 ONE-COLUMN 543C1 L [OPP HAND]  
 8-A490 1 X 2 3/4 F1644H  
 32-A490 1 X 3/4 F1652H

SHOP NOTES:  
 1. PRIMER ONLY 3" AROUND ALL HOLES UNLESS NOTED PF(PRIMER/FINISH).  
 2. P=PRIMER ONLY AS DIMENSIONED.  
 3. NP=NO PAINT IN 3" WIDE STRIP, CENTER OF BEAM, FULL LENGTH.

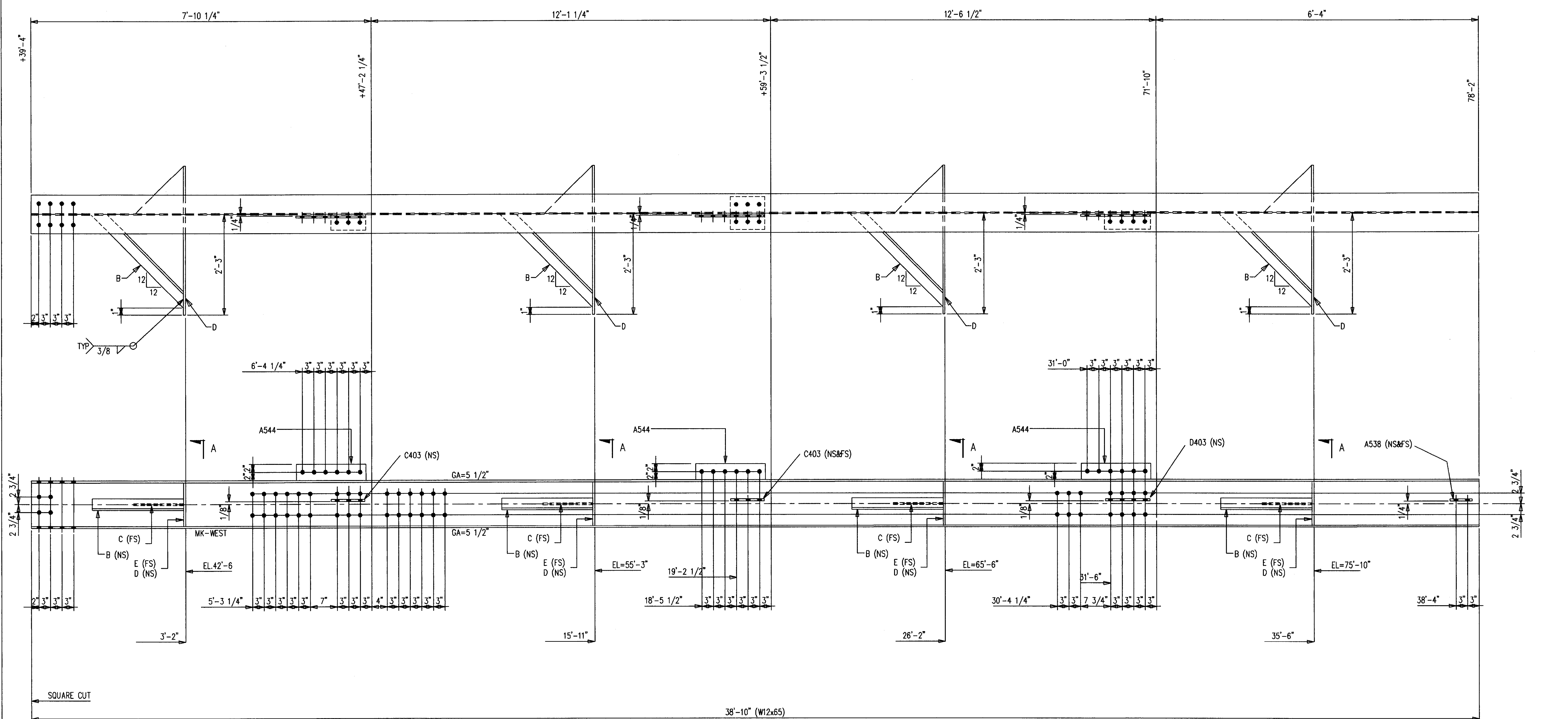
**BILL OF MATERIAL**

MARK	QUAN.	DESCRIPTION	LENGTH		REMARKS
			FT.	IN.	
543C1 L	ONE	COLUMN			
543C1	1	W12X58 A572	38	10	SC1E/P
A538	1	FBI/2X4	0	6	P
B538	1	FBI/2X4	1	3	P
C539	4	FBI/2X4	0	9	P
D539	2	FBI/2X4	1	0	P
543C1 R	ONE	COLUMN			
543C1	1	W12X58 A572	38	10	SC1E/P
A538	1	FBI/2X4	0	6	P
B538	1	FBI/2X4	1	3	P
C539	4	FBI/2X4	0	9	P
D539	2	FBI/2X4	1	0	P
		FIELD BOLTS			
F1644H	9	A490 1X2-3/4			
F1652H	33	A490 1X3-1/4			
F16LIW	41	A LOAD IND 1			

**AS BUILT**  
 NAME: *M. H. Hughes*  
 DATE: **AUG 16 1999**

NO.	DATE	REVISION DESCRIPTION	DWN.	CHKD.
CONTRACTOR TO CHECK ALL DIMENSIONS AT JOB AS MID STATES STEEL PRODUCTS CO. ASSUMES NO RESPONSIBILITY FOR GENERAL BUILDING DIMENSIONS. NO BACK CHARGES PERTAINING TO THIS WORK WILL BE ACCEPTED WITHOUT PRIOR AUTHORIZATION BY MID STATES STEEL PRODUCTS CO.				
MATERIAL U/N	A36	DRAWN BY <i>JDL</i>	JOB NAME	COMMONWEALTH STADIUM EXPANSION
OPEN HOLES U/N	1 1/16"	DATE 9/98	JOB LOCATION	UNIVERSITY OF KENTUCKY
WELD ELECTRODE U/N	E70XX	CHECKED BY <i>GCL</i>	CONTRACTOR	TURNER CONSTRUCTION COMPANY
SHOP PAINT U/N	SEE SPECS	DATE 9/98	ENGINEER	WALTER P. MOORE AND ASSOCIATES, INC.
DRAWING TITLE	COLUMN			
DATE	APP.	SHOP	FIELD	
P.O. BOX 11128-2044 BUCK LANE LEXINGTON, KENTUCKY 40511 PHONE: 606-233-4344 FAX: 606-233-4346				ORDER NO. <b>P3524</b>
FABRICATORS OF STRUCTURAL AND MISCELLANEOUS STEEL				SHEET NO. <b>543</b>

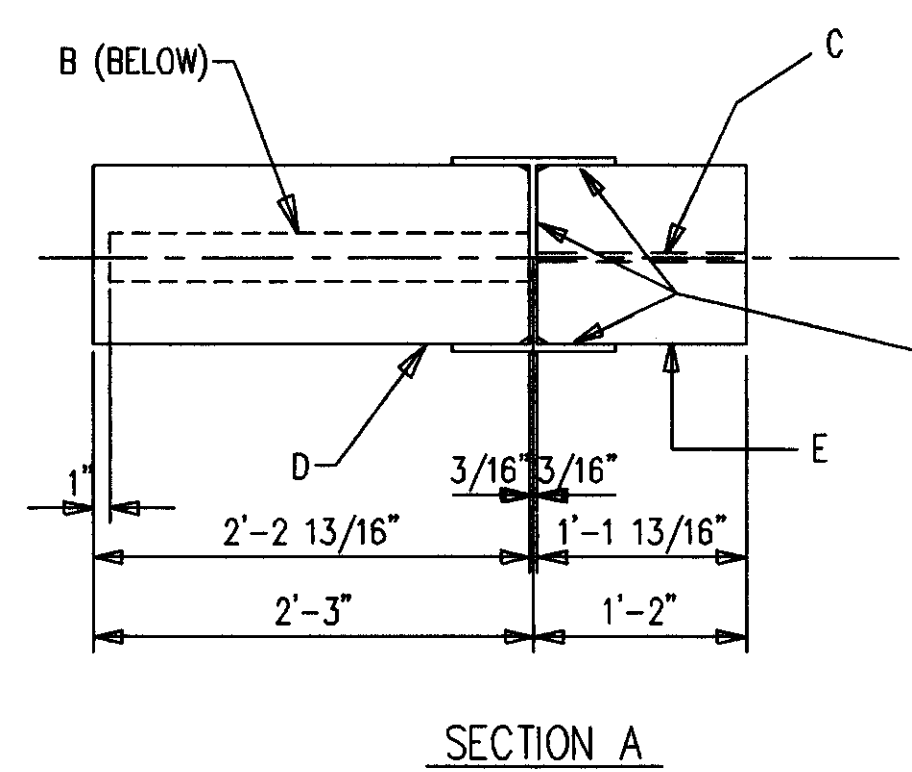
Cab # 206  
 Sheet 543  
 Document # 34873  
 D-2



ONE-COLUMN 544C1 R [AS SHOWN]  
 ONE-COLUMN 544C1 L [OPP HAND]  
 B-A490 1 X 2 3/4 F1644H  
 32-A490 1 X 3/4 F1652H

SHOP NOTES:  
 1. PRIMER ONLY 3" AROUND ALL HOLES UNLESS NOTED PF(PRIMER/FINISH).  
 2. P=PRIMER ONLY AS DIMENSIONED.  
 3. NP=NO PAINT IN 3" WIDE STRIP, CENTER OF BEAM, FULL LENGTH.

SHOP NOTE !  
 SEE SHT 545 FOR BILL OF MATERIAL



**AS BUILT**  
 NAME: *Max Hughes*  
 DATE: **AUG 16 1999**

DATE	APP	SHOP	FIELD

NO.	DATE	REVISION DESCRIPTION	DRW.	CHKD.

CONTRACTOR TO CHECK ALL DIMENSIONS AT JOB AS MID STATES STEEL PRODUCTS CO. ASSUMES NO RESPONSIBILITY FOR GENERAL BUILDING DIMENSIONS. NO BACK CHARGES PERTAINING TO THIS WORK WILL BE ACCEPTED WITHOUT PRIOR AUTHORIZATION BY MID STATES STEEL PRODUCTS CO.

MATERIAL U/N	A36	DRAWN BY U/N	JDL	JOB NAME	COMMONWEALTH STADIUM EXPANSION
OPEN HOLES U/N	1 1/16"	DATE	9/98	JOB LOCATION	UNIVERSITY OF KENTUCKY
WELD ELECTRODE U/N	E70XX	CHECKED BY U/N	GCL	CONTRACTOR	TURNER CONSTRUCTION COMPANY
SHOP PAINT U/N	SEE SPECS	DATE	9/98	ENGINEER	WALTER P. MOORE AND ASSOCIATES, INC.

DRAWING TITLE: **COLUMN**

P.O. BOX 11128-2044 BUCK LANE LEXINGTON, KENTUCKY 40511 PHONE: 606-233-4344 FAX: 606-233-4346	ORDER NO. <b>P3524</b>
<b>MID STATES STEEL PRODUCTS CO.</b> FABRICATORS OF STRUCTURAL AND MISCELLANEOUS STEEL	SHEET NO. <b>544</b>



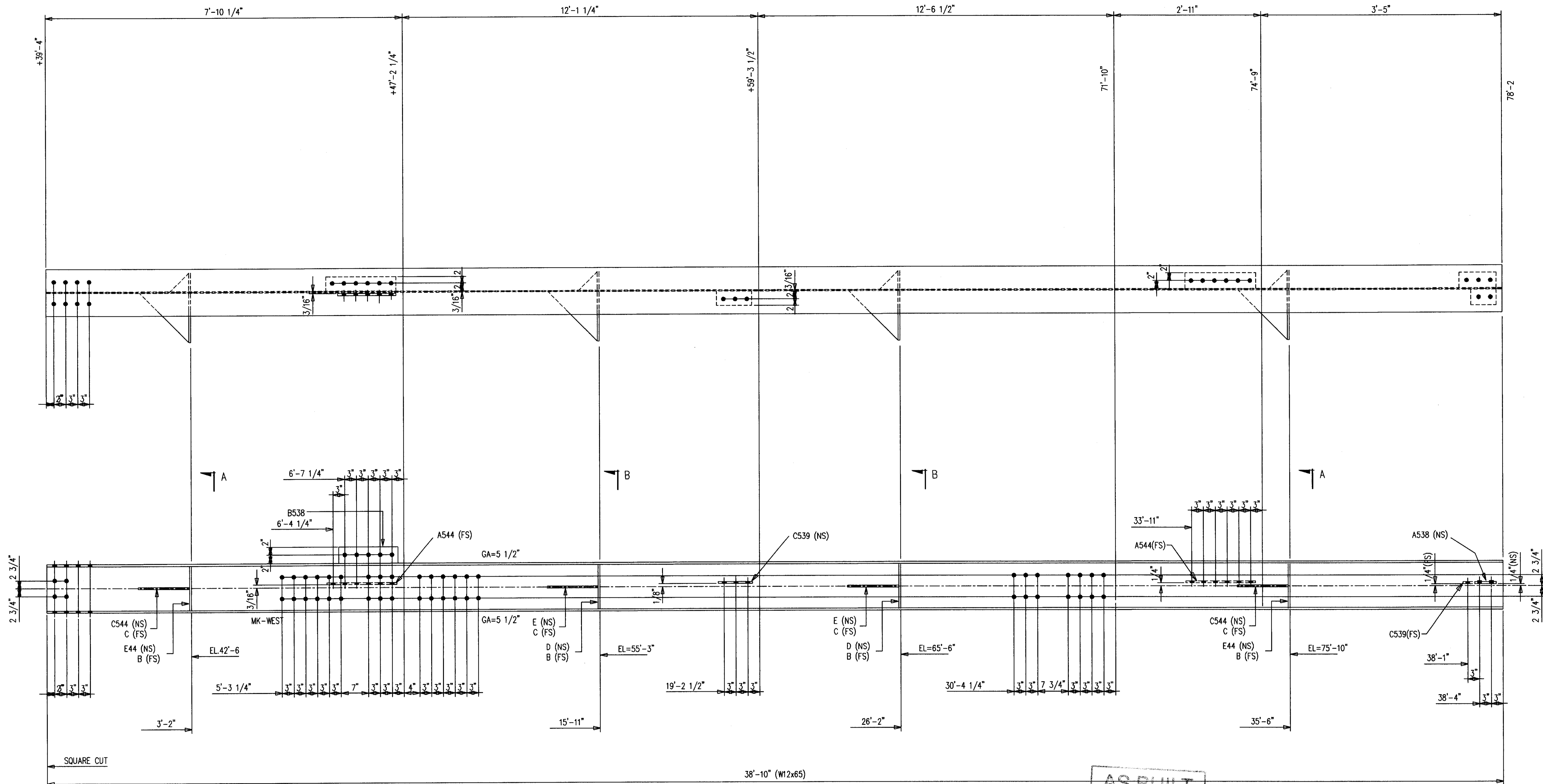
## BILL OF MATERIAL

MARK	QUAN.	DESCRIPTION	LENGTH		REMARKS
			FT.	IN.	
544C1 L	ONE	COLUMN			
544C1	1	W12X65 A572	38	10	SC1E/P
A538	2	FBI/2X4	0	6	P
A544	3	FBI/2X4	1	6	P
B544	4	L3X3X3/16	3	0-1/2	BC2E
C403	3	FBI/2X4	0	9	P
C544	4	PL3/8X13-13/16	1	1-13/16	
D403	1	FBI/2X4	1	0	P
D544	4	PL5/8X10-7/8	2	2-13/16	STIFF
E544	4	PL3/8X10-7/8	1	1-13/16	STIFF
544C1 R	ONE	COLUMN			
544C1	1	W12X65 A572	38	10	SC1E/P
A538	2	FBI/2X4	0	6	P
A544	3	FBI/2X4	1	6	P
B544	4	L3X3X3/16	3	0-1/2	BC2E
C403	3	FBI/2X4	0	9	P
C544	4	PL3/8X13-13/16	1	1-13/16	
D403	1	FBI/2X4	1	0	P
D544	4	PL5/8X10-7/8	2	2-13/16	STIFF
E544	4	PL3/8X10-7/8	1	1-13/16	STIFF
		FIELD BOLTS			
F1644H	9	A490 1X2-3/4			
F1652H	33	A490 1X3-1/4			
F16L1W	41	A LOAD IND 1			

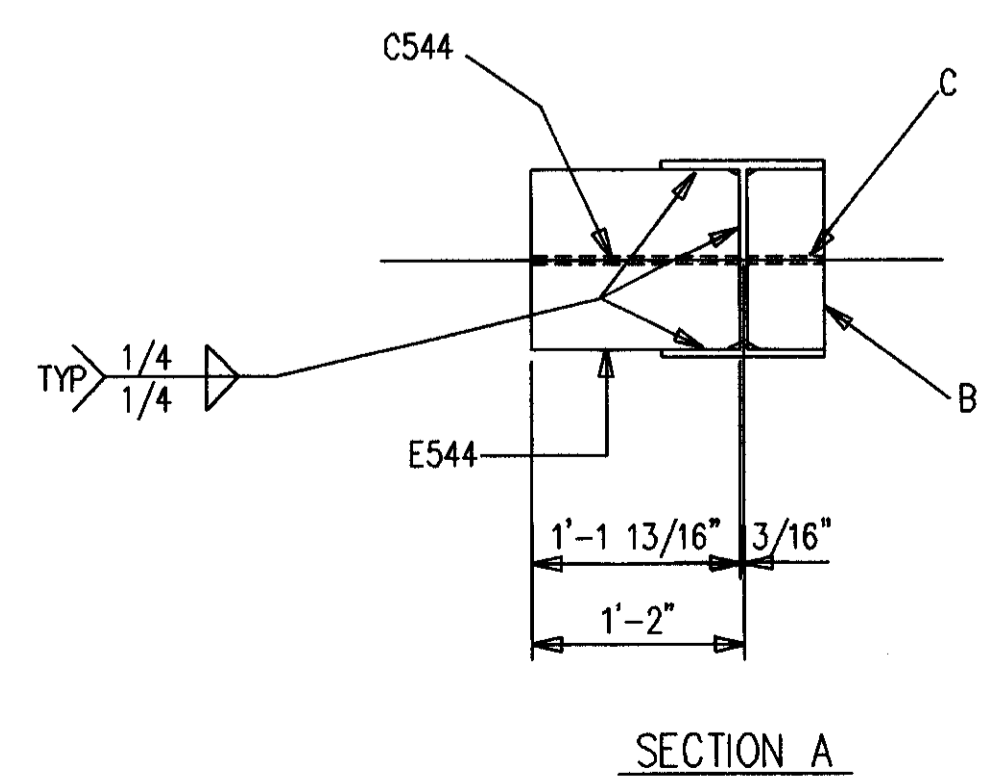
**AS BUILT**  
 NAME: *Map Hughes*  
 DATE: **AUG 16 1999**

NO.	DATE	REVISION DESCRIPTION	DWG. CHKD.
CONTRACTOR TO CHECK ALL DIMENSIONS AT JOB AS MID STATES STEEL PRODUCTS CO. ASSUMES NO RESPONSIBILITY FOR GENERAL BUILDING DIMENSIONS. NO BACK CHARGES PERTAINING TO THIS WORK WILL BE ACCEPTED WITHOUT PRIOR AUTHORIZATION BY MID STATES STEEL PRODUCTS CO.			
MATERIAL U/N	A36	DRAWN BY <i>JDL</i>	JOB NAME COMMONWEALTH STADIUM EXPANSION
OPEN HOLES U/N	1 1/16"	DATE 9/98	JOB LOCATION UNIVERSITY OF KENTUCKY
WELD ELECTRODE U/N	E70XX	CHECKED BY <i>GCL</i>	CONTRACTOR TURNER CONSTRUCTION COMPANY
SHOP PAINT	SEE SPECS	DATE 9/98	ENGINEER WALTER P. MOORE AND ASSOCIATES, INC.
DRAWING TITLE BOM FOR 544			
DATE	APP.	SHOP	FIELD
P.O. BOX 11128-2044 BUCK LANE LEXINGTON, KENTUCKY 40511 PHONE: 606-233-4344 FAX: 606-233-4348			ORDER NO. <b>P3524</b> SHEET NO. <b>545</b>
<b>MID STATES STEEL PRODUCTS CO.</b> FABRICATORS OF STRUCTURAL AND MISCELLANEOUS STEEL			

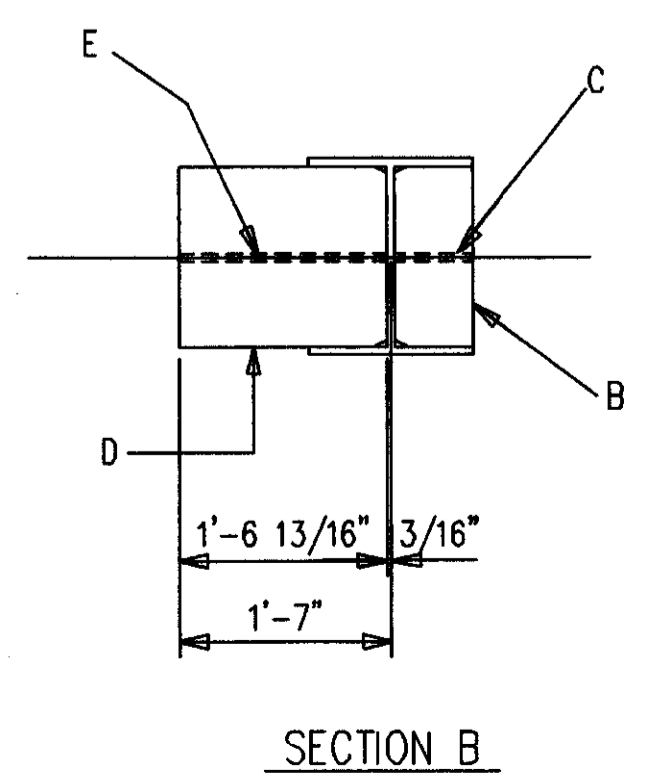
Cab # 206  
 Sheet D-2  
 Document # 34875



SHOP NOTES:  
 1. PRIMER ONLY 3" AROUND ALL HOLES UNLESS NOTED PF(PRIMER/FINISH).  
 2. P=PRIMER ONLY AS DIMENSIONED.  
 3. NP=NO PAINT IN 3" WIDE STRIP, CENTER OF BEAM, FULL LENGTH.



ONE-COLUMN 546C1 R [AS SHOWN]  
 ONE-COLUMN 546C1 L [OPP HAND]  
 B-A490 1 X 2 3/4 F1644H  
 32-A490 1 X 3/4 F1652H



**AS BUILT**  
 NAME: *Max Hughes*  
 DATE: **AUG 18 1999**

SHOP NOTE !  
 SEE SHT 547 FOR BILL OF MATERIAL & SECTIONS

DATE	APP	SHOP	FIELD

NO.	DATE	REVISION DESCRIPTION	DWN	CHKD

CONTRACTOR TO CHECK ALL DIMENSIONS AT JOB AS MID STATES STEEL PRODUCTS CO. ASSUMES NO RESPONSIBILITY FOR GENERAL BUILDING DIMENSIONS. NO BACK CHARGES PERTAINING TO THIS WORK WILL BE ACCEPTED WITHOUT PRIOR AUTHORIZATION BY MID STATES STEEL PRODUCTS CO.

MATERIAL U/N	A36	DRAWN BY	JDL	JOB NAME	COMMONWEALTH STADIUM EXPANSION
OPEN HOLES U/N	1 1/16"	DATE	9/98	JOB LOCATION	UNIVERSITY OF KENTUCKY
WELD ELECTRODE U/N	E70XX	CHECKED BY	CCL	CONTRACTOR	TURNER CONSTRUCTION COMPANY
SHOP PAINT	SEE SPECS	DATE	9/98	ENGINEER	WALTER P. MOORE AND ASSOCIATES, INC.

DRAWING TITLE: COLUMN

MID STATES STEEL PRODUCTS CO.  
 P.O. BOX 11120-2044 BUCK LANE  
 LEXINGTON, KENTUCKY 40511  
 PHONE: 606-233-4344 FAX: 606-233-4346

ORDER NO. P3524  
 SHEET NO. 546

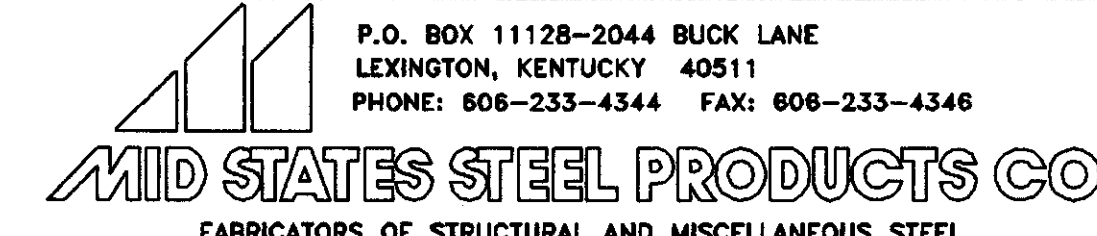
FABRICATORS OF STRUCTURAL AND MISCELLANEOUS STEEL

## BILL OF MATERIAL

MARK	QUAN.	DESCRIPTION	LENGTH		REMARKS
			FT.	IN.	
546C1 L	ONE	COLUMN			
546C1	1	W12X65 A572	38	10	SC1E/P
A538	1	F81/2X4	0	6	P
* A544	2	F81/2X4	1	6	P
* B538	1	F81/2X4	1	3	P
B546	4	PL3/8X5-13/16	0	10-7/8	STIFF
* C539	2	F81/2X4	0	9	P
C544	2	PL3/8X13-13/16	1	1-13/16	
C546	4	PL3/8X5-13/16	0	5-13/16	
D546	2	PL5/8X10-7/8	1	6-13/16	STIFF
E544	2	PL3/8X10-7/8	1	1-13/16	STIFF
E546	2	PL5/8X18-13/16	1	6-13/16	
546C1 R	ONE	COLUMN			
546C1	1	W12X65 A572	38	10	SC1E/P
A538	1	F81/2X4	0	6	P
* A544	2	F81/2X4	1	6	P
* B538	1	F81/2X4	1	3	P
B546	4	PL3/8X5-13/16	0	10-7/8	STIFF
* C539	2	F81/2X4	0	9	P
C544	2	PL3/8X13-13/16	1	1-13/16	
C546	4	PL3/8X5-13/16	0	5-13/16	
D546	2	PL5/8X10-7/8	1	6-13/16	STIFF
E544	2	PL3/8X10-7/8	1	1-13/16	STIFF
E546	2	PL5/8X18-13/16	1	6-13/16	
		FIELD BOLTS			
F1644H	9	A490 1X2-3/4			
F1652H	33	A490 1X3-1/4			
F16LIW	41	A LOAD IND 1			

**AS BUILT**  
NAME: *Max Hughes*  
DATE: **AUG 16 1999**

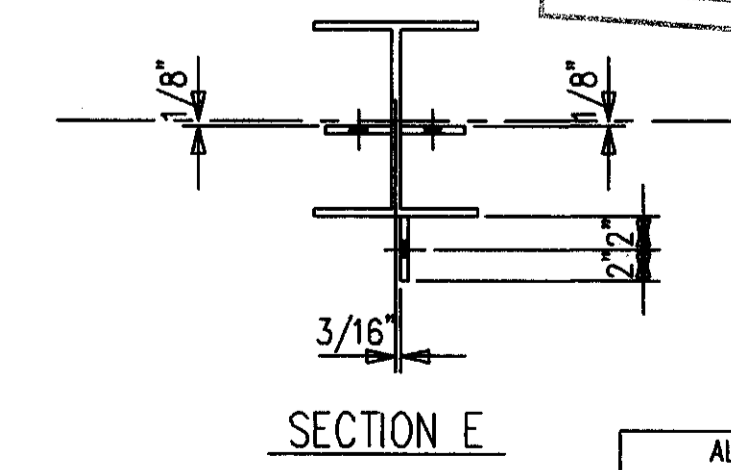
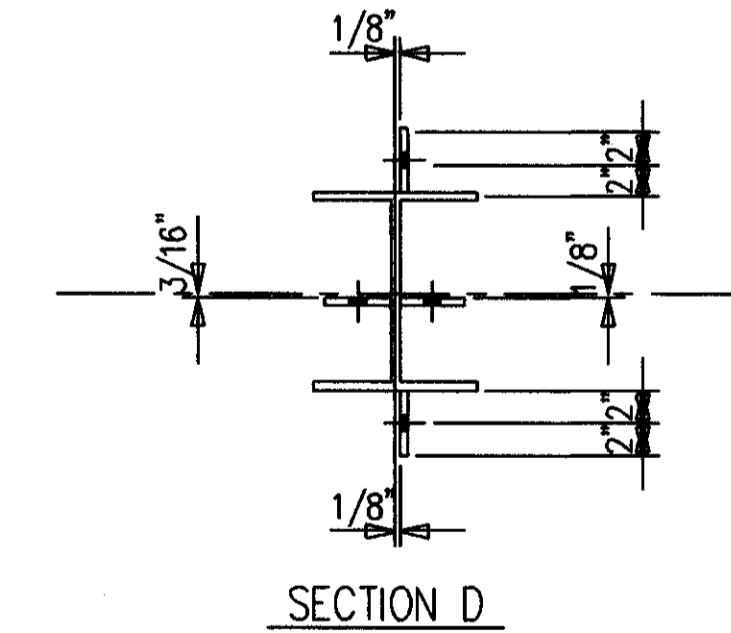
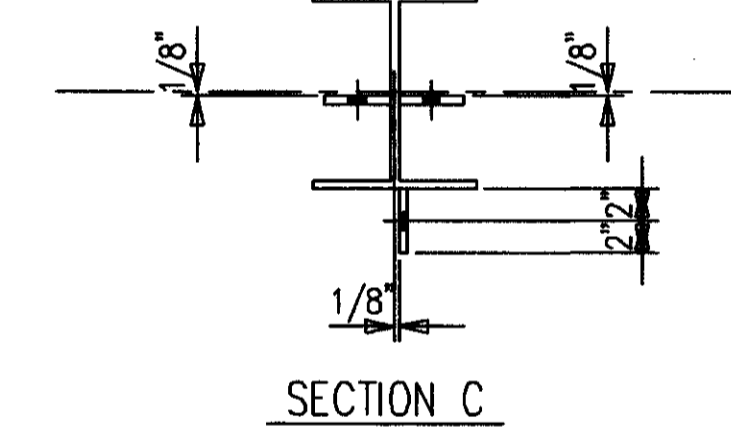
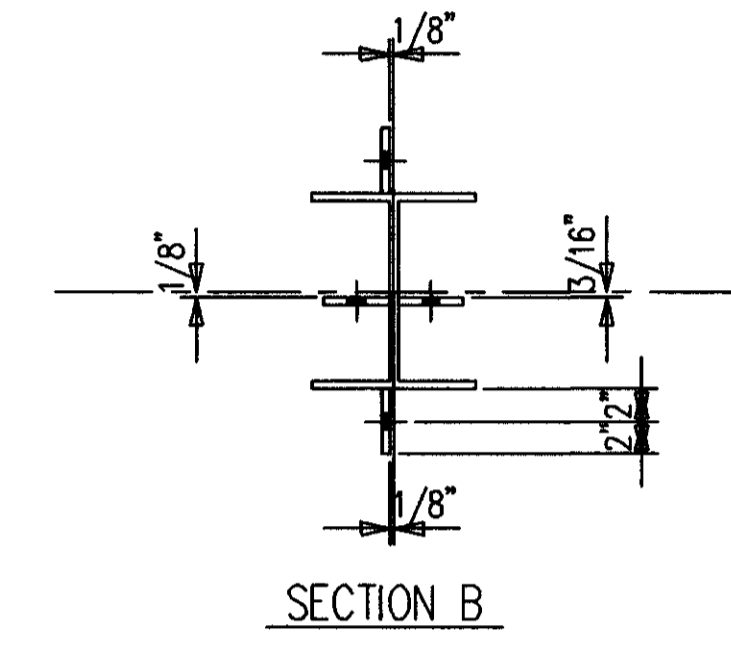
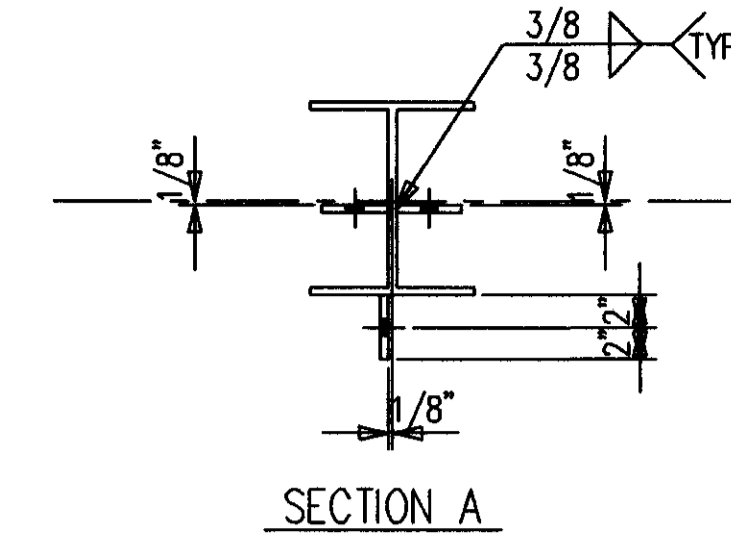
DATE	APP	SHOP	FIELD

NO. _____ DATE _____		REVISION DESCRIPTION _____		DWG. I. CRD.	
CONTRACTOR TO CHECK ALL DIMENSIONS AT JOB AS MID STATES STEEL PRODUCTS CO. ASSUMES NO RESPONSIBILITY FOR GENERAL BUILDING DIMENSIONS. NO BACK CHARGES PERTAINING TO THIS WORK WILL BE ACCEPTED WITHOUT PRIOR AUTHORIZATION BY MID STATES STEEL PRODUCTS CO.					
MATERIAL U/N A36	DRAWN BY <i>JDL</i>	JOB NAME COMMONWEALTH STADIUM EXPANSION	DATE 9/98	JOB LOCATION UNIVERSITY OF KENTUCKY	
OPEN HOLES U/N 1 1/16Ø	WELD ELECTRODE U/N E70XX	CHECKED BY <i>GCL</i>	CONTRACTOR TURNER CONSTRUCTION COMPANY	ENGINEER WALTER P. MOORE AND ASSOCIATES, INC.	
ALL RE-ENTRANT CUTS MIN. 1/2" RAD. U/N	SHOP PAINT SEE SPECS	DATE 9/98			
ALL A325 BOLTS w/ONE HARD WASH. AND HYV HEX NUT	ALL A307 BOLTS w/HEX NUT	DRAWING TITLE BOM FOR 546			
			P.O. BOX 11128-2044 BUCK LANE LEXINGTON, KENTUCKY 40511 PHONE: 606-233-4344 FAX: 606-233-4346		ORDER NO. P3524 SHEET NO. 547

Cab # 206  
 Stot Dr-2  
 Document # 34877

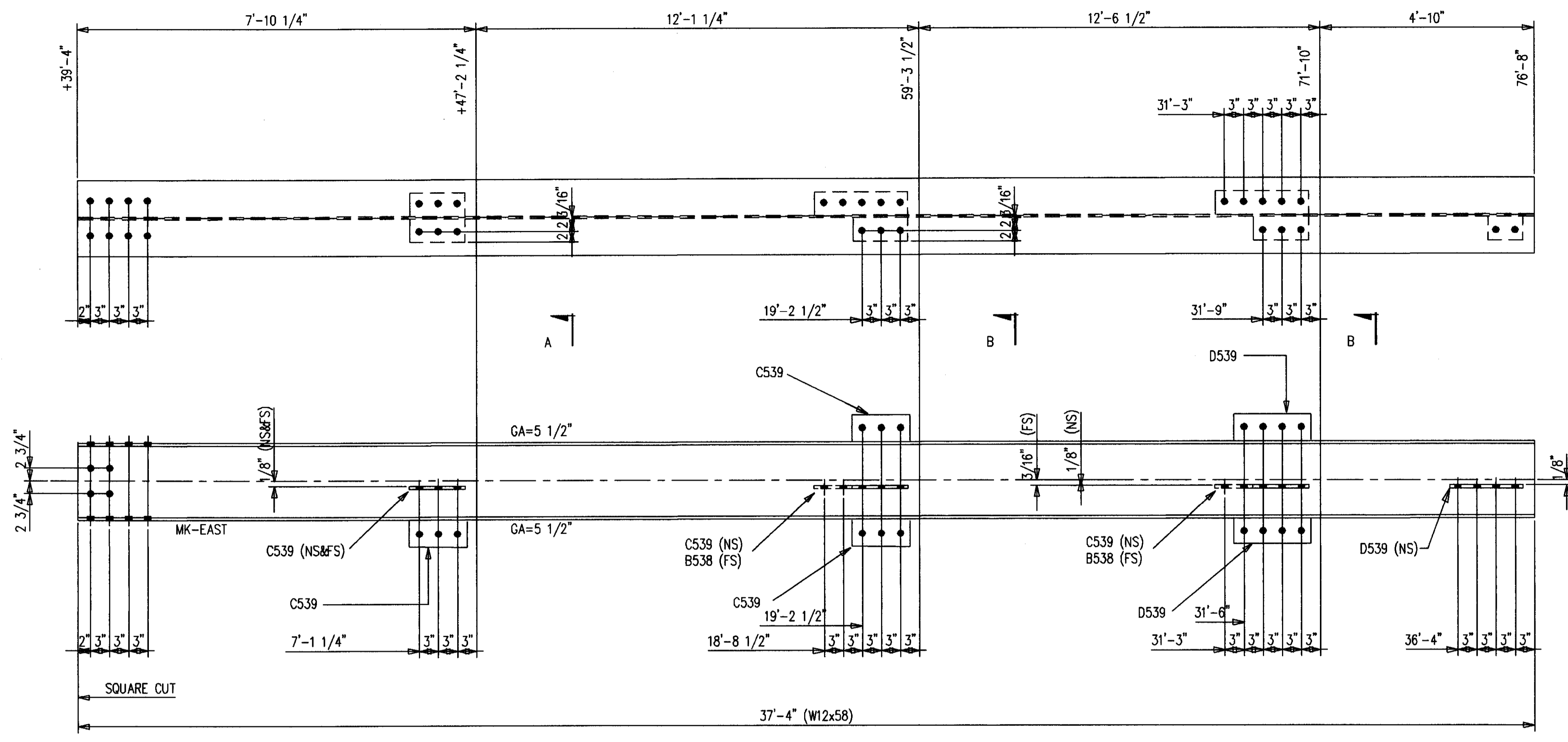
### BILL OF MATERIAL

MARK	QUAN.	DESCRIPTION	LENGTH		REMARKS
			FT.	IN.	
548C1	ONE	COLUMN			
548C1	1	W12X58 A572	37	4	SC1E/P
B538	2	FB1/2X4	1	3	P
C539	7	FB1/2X4	0	9	P
D539	4	FB1/2X4	1	0	P
548C2	ONE	COLUMN			
548C2	1	W12X58 A572	37	4	SC1E/P
B538	3	FB1/2X4	1	3	P
C539	7	FB1/2X4	0	9	P
D539	4	FB1/2X4	1	0	P
		FIELD BOLTS			
F1644H	9	A490 1X2-3/4			
F1652H	33	A490 1X3-1/4			
F16LIV	41	A LOAD IND 1			

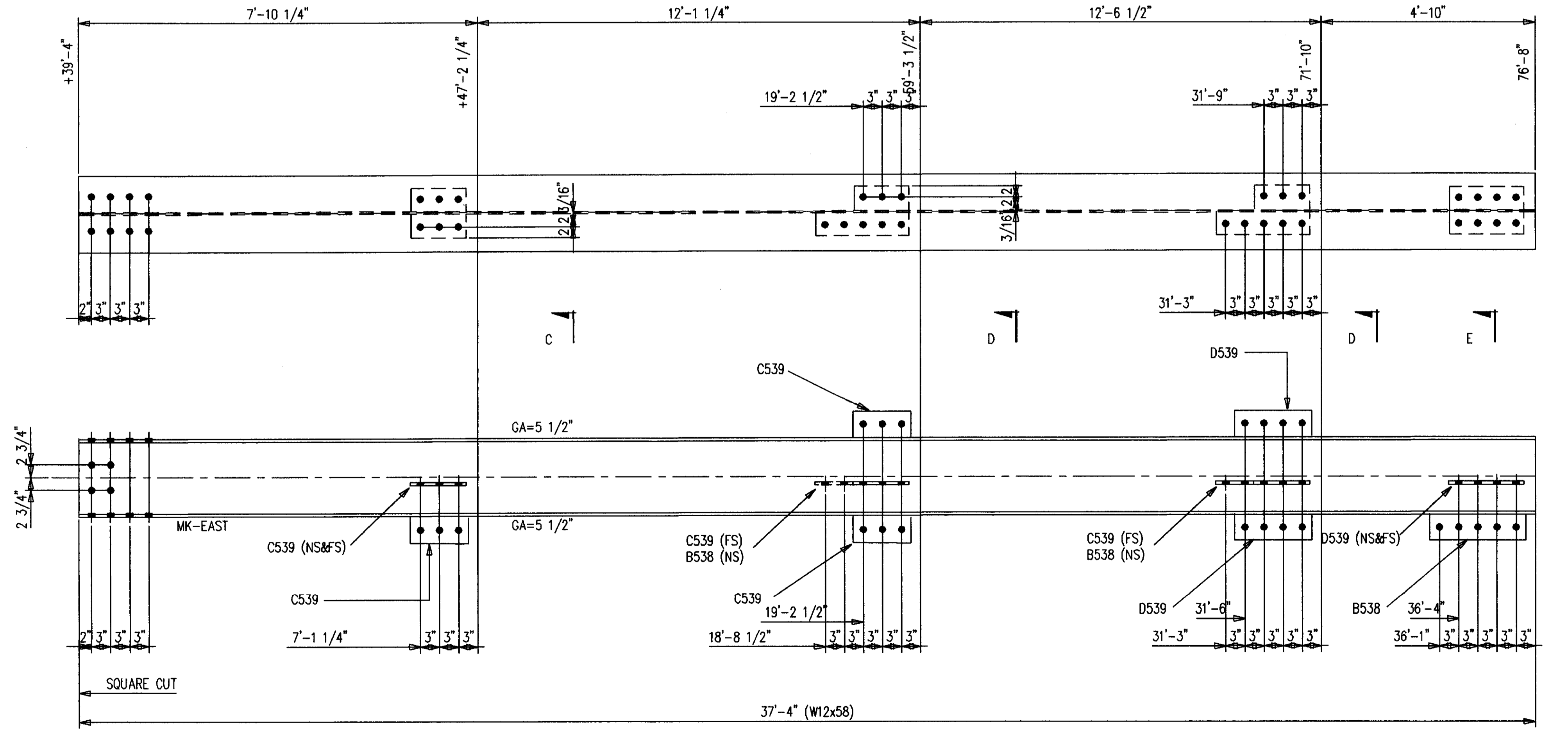


**AS BUILT**  
 NAME: *Max Hughes*  
 DATE: **AUG 16 1999**

**SHOP NOTES:**  
 1. PRIMER ONLY 3" AROUND ALL HOLES UNLESS NOTED PF(PRIMER/FINISH).  
 2. P=PRIMER ONLY AS DIMENSIONED.  
 3. NP=NO PAINT IN 3" WIDE STRIP, CENTER OF BEAM, FULL LENGTH.



**ONE-COLUMN 548C1**  
 4-A490 1 X 2 3/4 F1644H  
 16-A490 1 X 3/4 F1652H



**ONE-COLUMN 548C2**  
 4-A490 1 X 2 3/4 F1644H  
 16-A490 1 X 3/4 F1652H

ALL RE-ENTRANT CUTS MIN. 1/2" RAD. U/N	WELD ELECTRODE U/N E70XX	CHECKED BY GCL	CONTRACTOR TURNER CONSTRUCTION COMPANY
ALL A325 BOLTS w/ONE HARD WASH. AND HVY HEX NUT	SHOP PAINT SEE SPECS	DATE 9/98	ENGINEER WALTER P. MOORE AND ASSOCIATES, INC.
ALL A307 BOLTS w/HEX NUT			

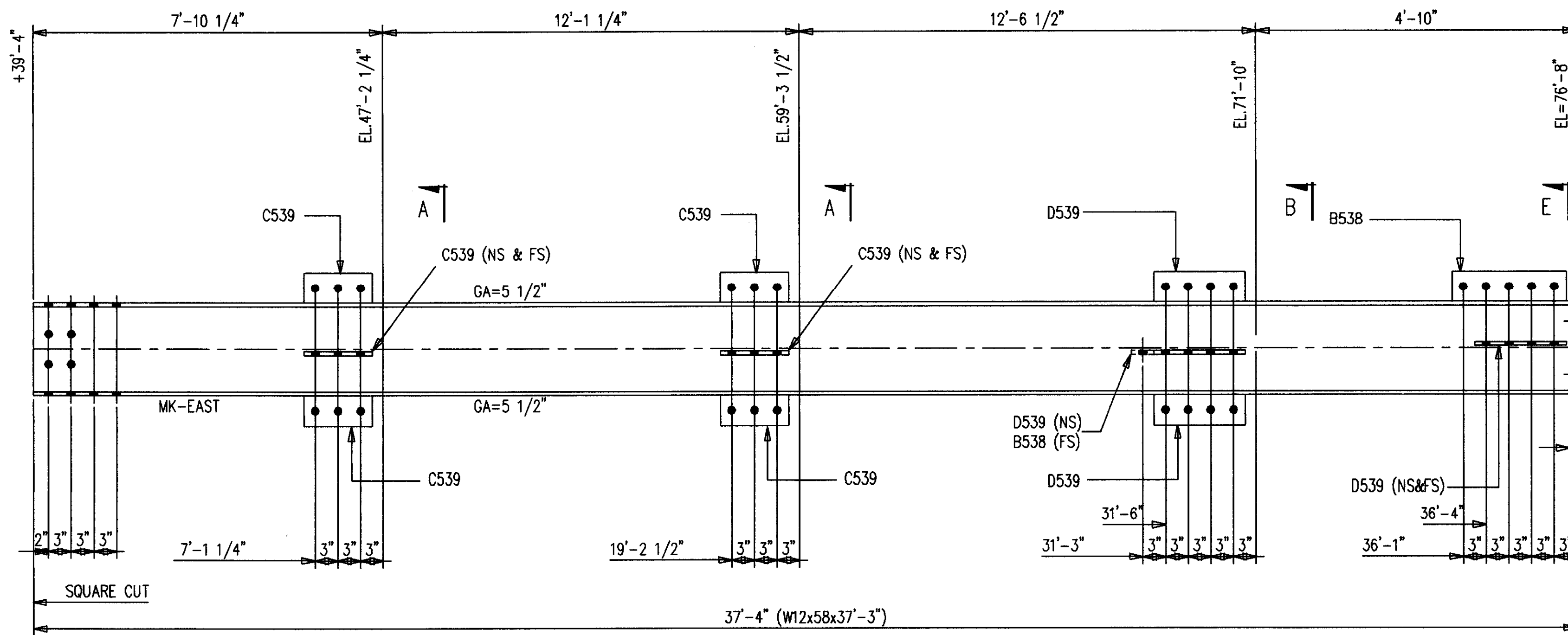
**MID STATES STEEL PRODUCTS CO.**  
 FABRICATORS OF STRUCTURAL AND MISCELLANEOUS STEEL

P.O. BOX 11128-2044 BUCK LANE  
 LEXINGTON, KENTUCKY 40511  
 PHONE: 606-233-4344 FAX: 606-233-4346

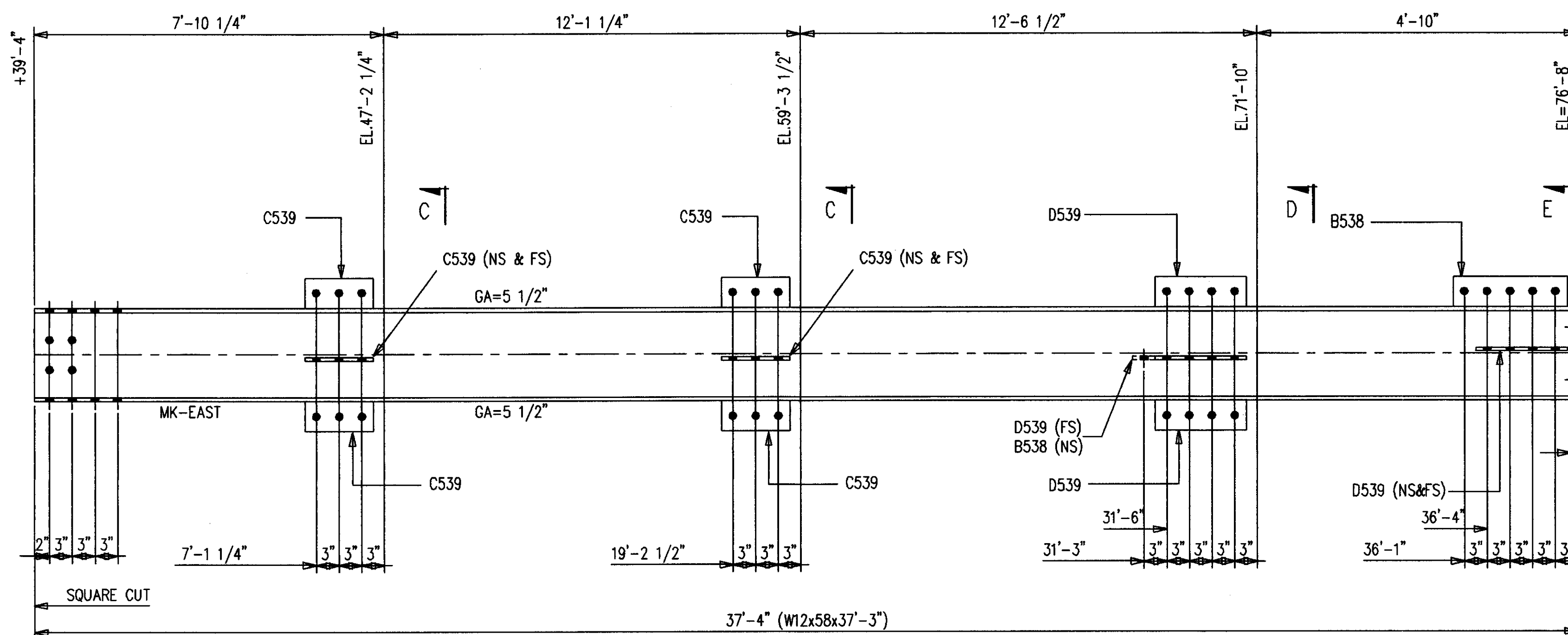
ORDER NO. **P3524**  
 SHEET NO. **548**

BILL OF MATERIAL

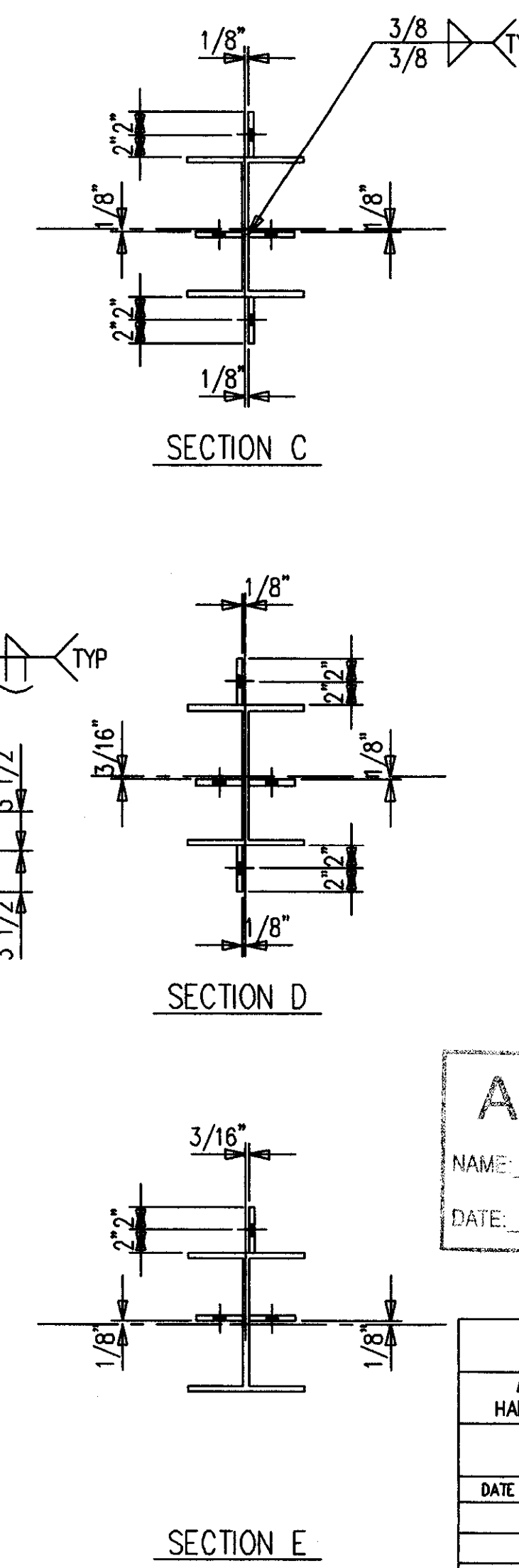
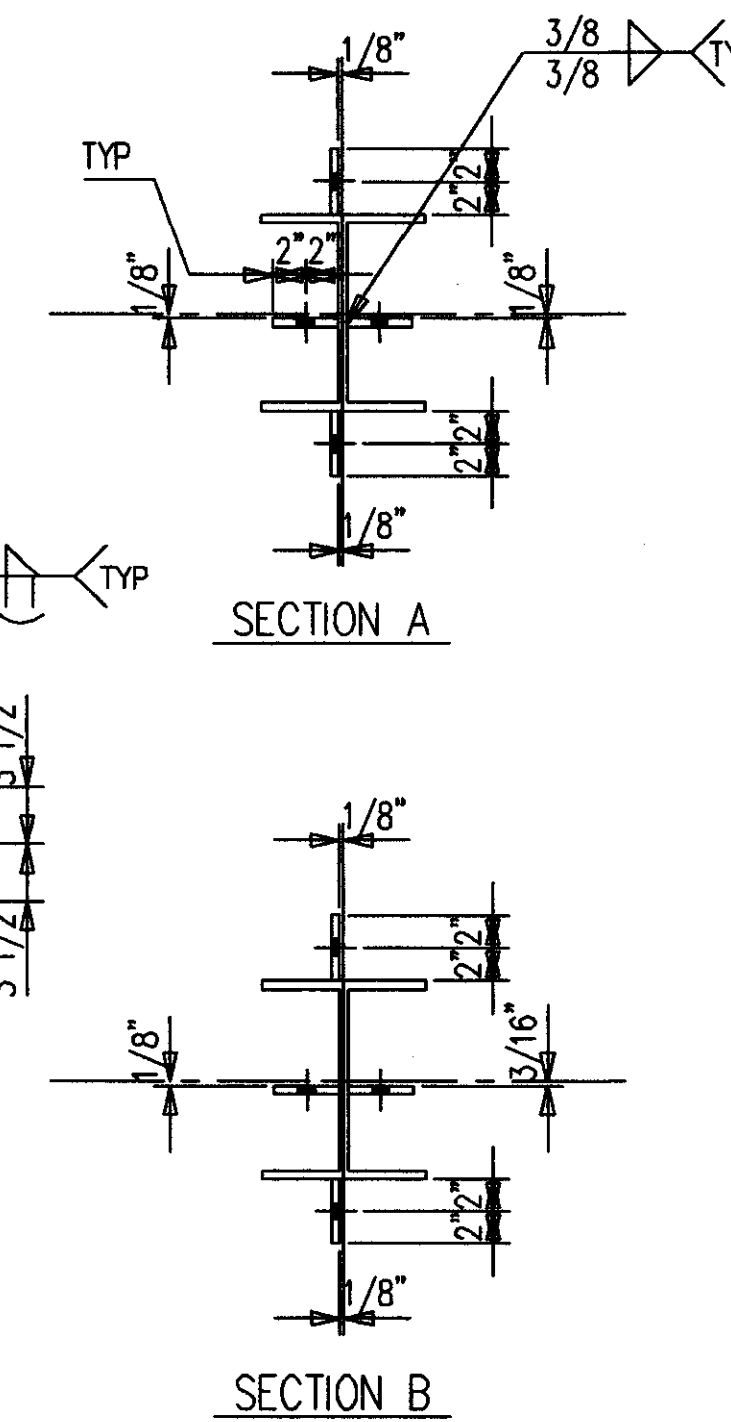
MARK	QUAN.	DESCRIPTION	LENGTH		REMARKS
			FT.	IN.	
549C1	ONE	COLUMN			
549C1	1	W12X58 A572	37	3	SC2E/P
B538	2	FB1/2X4	1	3	P
C539	8	FB1/2X4	0	9	P
D539	5	FB1/2X4	1	0	P
549C2	ONE	COLUMN			
549C2	1	W12X58 A572	37	3	SC2E/P
B538	2	FB1/2X4	1	3	P
C539	8	FB1/2X4	0	9	P
D539	5	FB1/2X4	1	0	P
		FIELD BOLTS			
F1644H	9	A490 1X2-3/4			
F1652H	33	A490 1X3-1/4			
F16L1W	41	A LOAD IND 1			



ONE-COLUMN 549C1  
 4-A490 1 X 2 3/4 F1644H  
 16-A490 1 X 3/4 F1652H



ONE-COLUMN 549C2  
 4-A490 1 X 2 3/4 F1644H  
 16-A490 1 X 3/4 F1652H



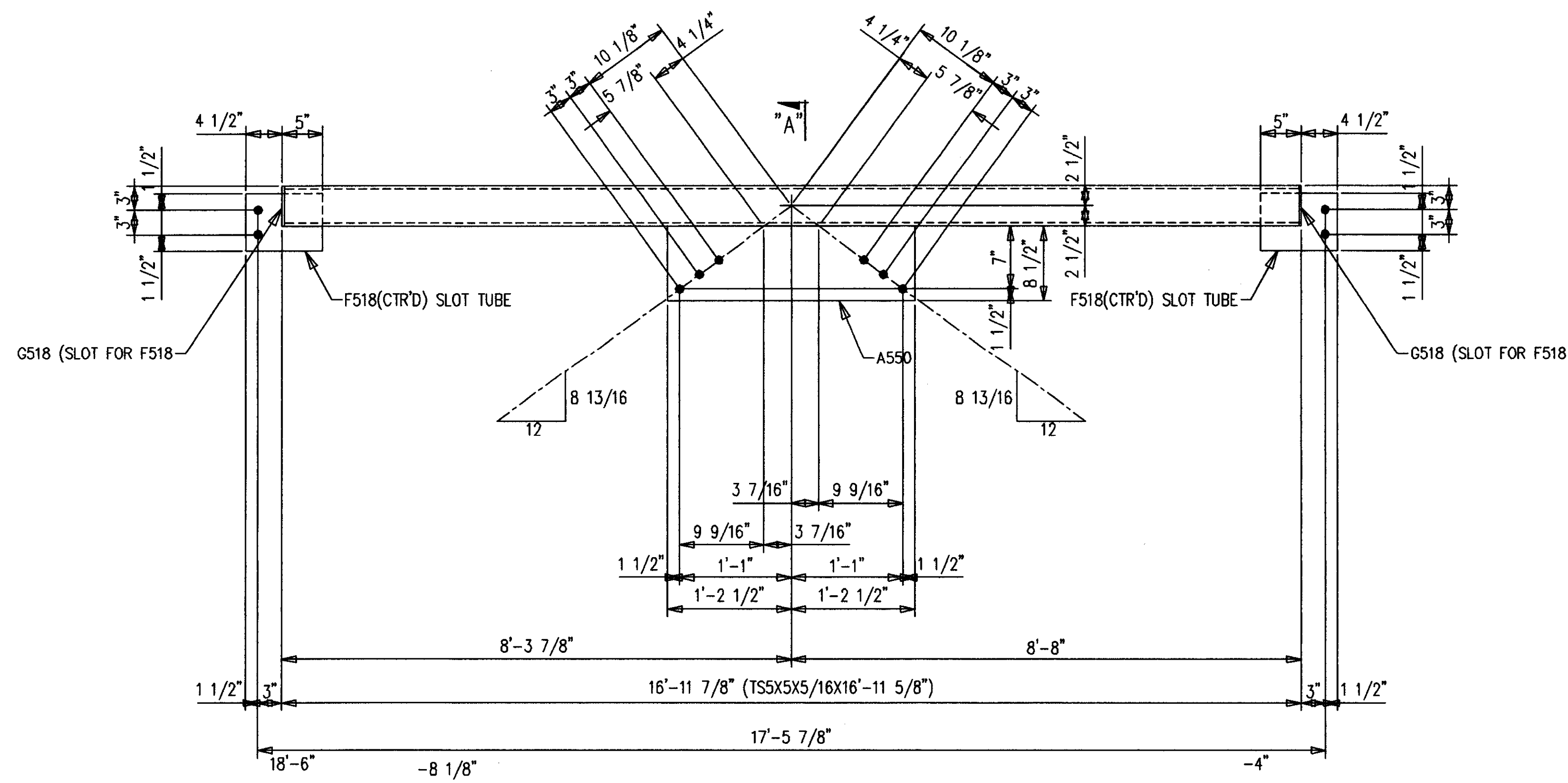
SHOP NOTES:  
 1. PRIMER ONLY 3" AROUND ALL HOLES UNLESS NOTED PF(PRIMER/FINISH).  
 2. P=PRIMER ONLY AS DIMENSIONED.  
 3. NP=NO PAINT IN 3" WIDE STRIP, CENTER OF BEAM, FULL LENGTH.

AS BUILT  
 NAME: *Met Hughes*  
 DATE: AUG 16 1999

DATE	APP	SHOP	FIELD

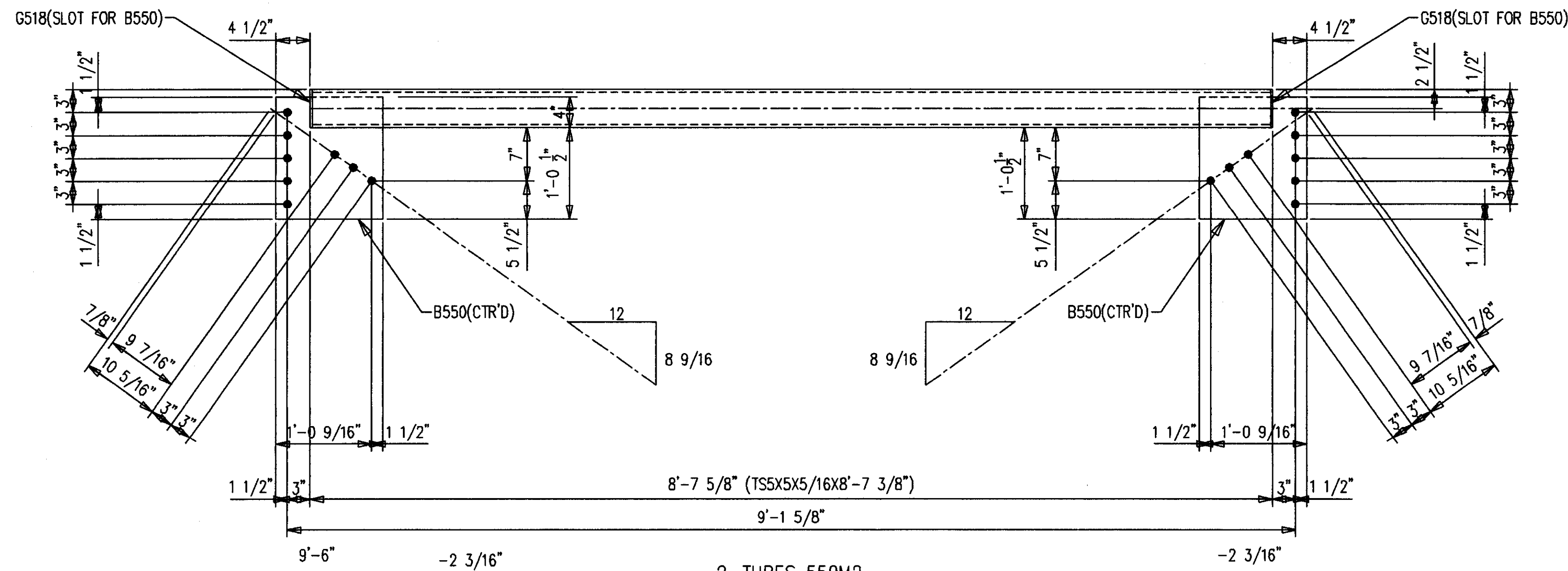
NO. DATE		REVISION DESCRIPTION		DRWN. I. CAD
CONTRACTOR TO CHECK ALL DIMENSIONS AT JOB AS MID STATES STEEL PRODUCTS CO. ASSUMES NO RESPONSIBILITY FOR GENERAL BUILDING DIMENSIONS. NO BACK CHARGES PERTAINING TO THIS WORK WILL BE ACCEPTED WITHOUT PRIOR AUTHORIZATION BY MID STATES STEEL PRODUCTS CO.				
MATERIAL U/N A36	DRAWN BY JDL	JOB NAME	COMMONWEALTH STADIUM EXPANSION	
OPEN HOLES U/N 1 1/16"	DATE 9/98	JOB LOCATION	UNIVERSITY OF KENTUCKY	
WELD ELECTRODE U/N E70XX	CHECKED BY GCL	CONTRACTOR	TURNER CONSTRUCTION COMPANY	
SHOP PAINT SEE SPECS	DATE 9/98	ENGINEER	WALTER P. MOORE AND ASSOCIATES, INC.	
ALL A307 BOLTS w/HEX NUT		DRAWING TITLE	COLUMNS	
P.O. BOX 11128-2044 BUCK LANE LEXINGTON, KENTUCKY 40511 PHONE: 606-233-4344 FAX: 606-233-4346		ORDER NO.	P3524	
MID STATES STEEL PRODUCTS CO. FABRICATORS OF STRUCTURAL AND MISCELLANEOUS STEEL		SHEET NO.	549	

Doc # 812c  
 206  
 Document # 34879



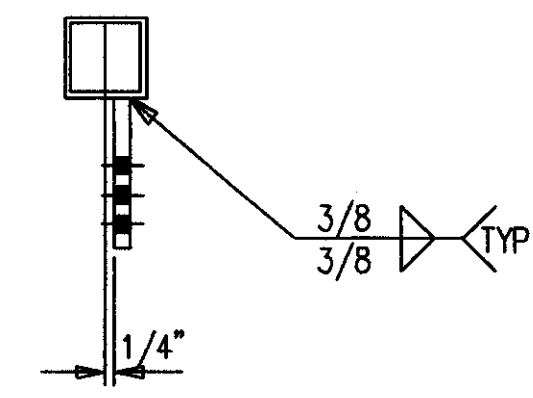
**2-TUBES 550M1**

8-A490 1 X 3 F1648H  
8-LOAD IND WASH 1 F16LIW



**2-TUBES 550M2**

20-A490 1 X 3 F1648H  
20-LOAD IND WASH 1 F16LIW



SECTION A

**BILL OF MATERIAL**

SHIP MARK SUB MARK	NO. PCS.	DESCRIPTION	LENGTH		CL LIST	REMARKS
			FT.	IN.		
550M1	2	TUBES				
550M1	2	TSSX5X5/16	16	11-5/8		
A550	2	PL1X8-1/2	2	5		P
F518	4	FB1/2X6	0	9-1/2		P
G518	4	PL1/8X5	0	5		
550M2	2	TUBES				
550M2	2	TSSX5X5/16	8	7-3/8		
B550	4	PL1X14-1/16	1	3		P
G518	4	PL1/8X5	0	5		
		FIELD BOLTS				
F1648H	29	A490 1X3				
F16LIW	29	A LOAD IND 1				

SHOP NOTES:  
1. ALL STEEL PRIMER ONLY.

**AS BUILT**  
NAME: *Max Hughes*  
DATE: **AUG 16 1999**

DATE	APP.	SHOP	FIELD

NO.	DATE	REVISION DESCRIPTION	BY	CHKD

CONTRACTOR TO CHECK ALL DIMENSIONS AT JOB. AS MID STATES STEEL PRODUCTS CO. ASSUMES NO RESPONSIBILITY FOR GENERAL BUILDING DIMENSIONS. NO BACK CHARGES PERTAINING TO THIS WORK WILL BE ACCEPTED WITHOUT PRIOR AUTHORIZATION BY MID STATES STEEL PRODUCTS CO.

MATERIAL U/A	A36	DRAWN BY	KMP	JOB NAME	COMMONWEALTH STADIUM EXPANSION
OPEN HOLES U/A	1-1/16φ	DATE	12/98	JOB LOCATION	UNIVERSITY OF KENTUCKY
WELD ELECTRODE U/A	E70XX	CHECKED BY	GCL	CONTRACTOR	TURNER CONSTRUCTION COMPANY
SHOP PAINT	SEE SPECS	DATE	12/98	ENGINEER	WALTER P. MOORE

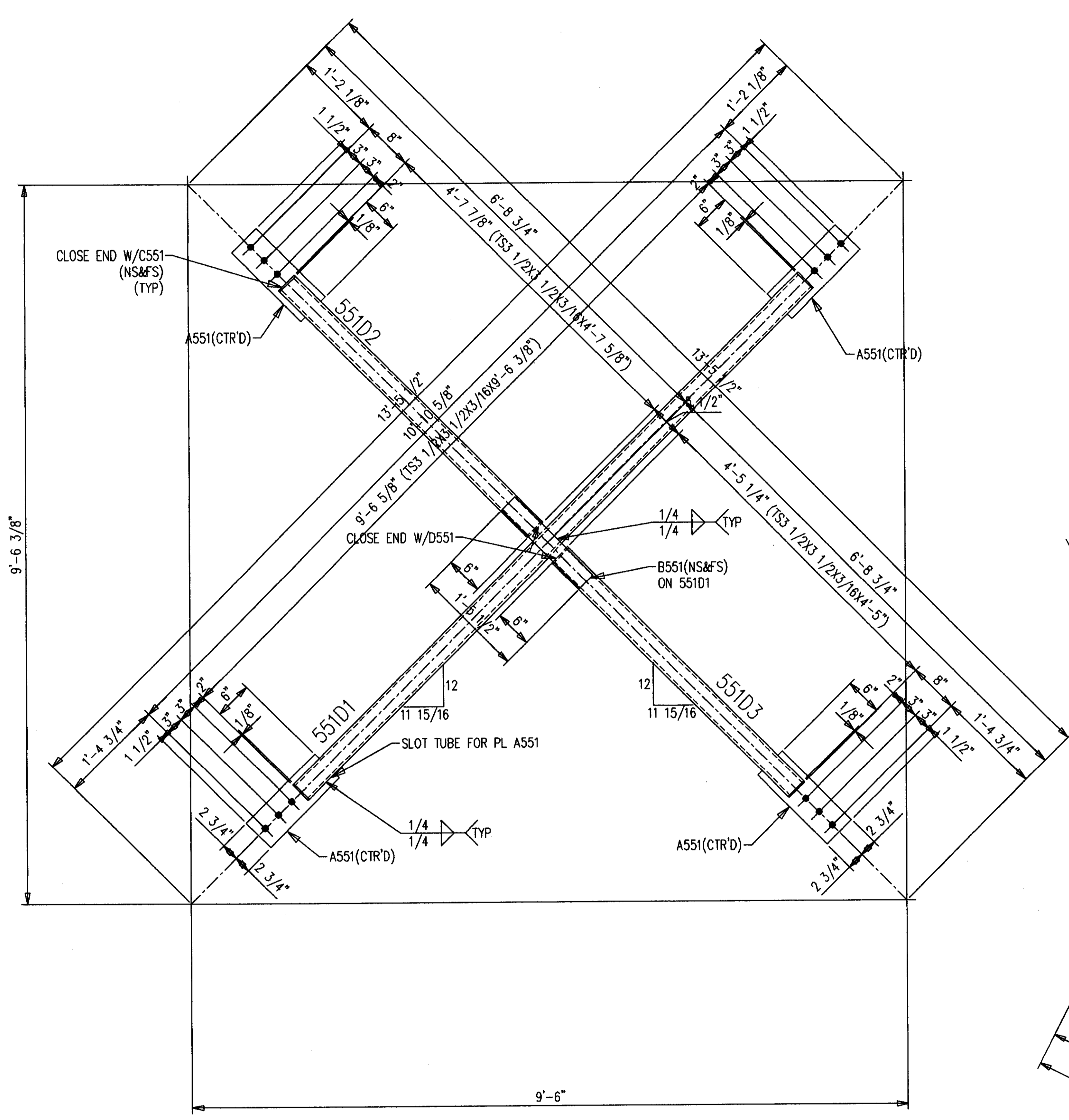
**MID STATES STEEL PRODUCTS CO.**  
FABRICATORS OF STRUCTURAL AND MISCELLANEOUS STEEL

P.O. BOX 11128-2044 BUCK LANE  
LEXINGTON, KENTUCKY 40511  
PHONE: 606-233-4344 FAX: 606-233-4346

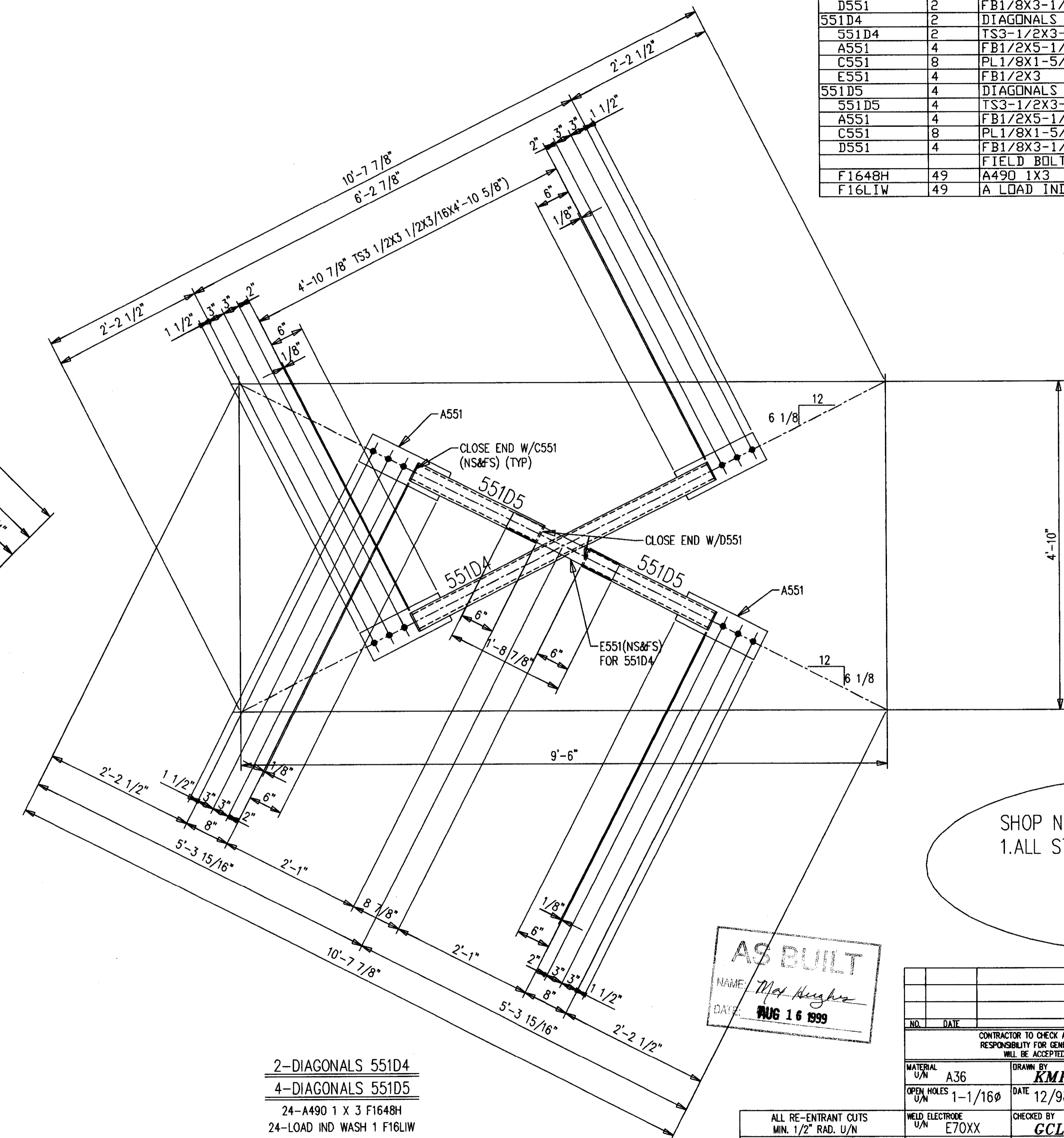
ORDER NO.  
**P3524**  
SHEET NO.  
**550**

BILL OF MATERIAL

SHIP MARK SUB MARK	NL PCS.	DESCRIPTION	LENGTH		CL LIST	REMARKS
			FT.	IN.		
551D1	2	DIAGONALS				
551D1	2	TS3-1/2X3-1/2X3/16	9	6-3/8		
A551	4	FB1/2X5-1/2	1	3-1/2		P
B551	4	FB1/2X3	1	5-1/2		P
C551	8	PL1/8X1-5/8	0	3-3/4		
551D2	2	DIAGONALS				
551D2	2	TS3-1/2X3-1/2X3/16	4	7-5/8		
A551	2	FB1/2X5-1/2	1	3-1/2		P
C551	4	PL1/8X1-5/8	0	3-3/4		
D551	2	FB1/8X3-1/2	0	3-1/2		
551D3	2	DIAGONALS				
551D3	2	TS3-1/2X3-1/2X3/16	4	5		
A551	2	FB1/2X5-1/2	1	3-1/2		P
C551	4	PL1/8X1-5/8	0	3-3/4		
D551	2	FB1/8X3-1/2	0	3-1/2		
551D4	2	DIAGONALS				
551D4	2	TS3-1/2X3-1/2X3/16	4	10-5/8		
A551	4	FB1/2X5-1/2	1	3-1/2		P
C551	8	PL1/8X1-5/8	0	3-3/4		
E551	4	FB1/2X3	1	8-7/8		
551D5	4	DIAGONALS				
551D5	4	TS3-1/2X3-1/2X3/16	2	0-3/4		
A551	4	FB1/2X5-1/2	1	3-1/2		P
C551	8	PL1/8X1-5/8	0	3-3/4		
D551	4	FB1/8X3-1/2	0	3-1/2		
		FIELD BOLTS				
F1648H	49	A490 1X3				
F16LIW	49	A LOAD IND 1				



- 2-DIAGONALS 551D1
- 2-DIAGONALS 551D2
- 2-DIAGONALS 551D3
- 24-A490 1 X 3 F1648H
- 24-LOAD IND WASH 1 F16LIW



- 2-DIAGONALS 551D4
- 4-DIAGONALS 551D5
- 24-A490 1 X 3 F1648H
- 24-LOAD IND WASH 1 F16LIW

SHOP NOTES:  
1. ALL STEEL PRIMER ONLY.

**AS BUILT**  
NAME: *M. K. Hughes*  
DATE: **AUG 16 1999**

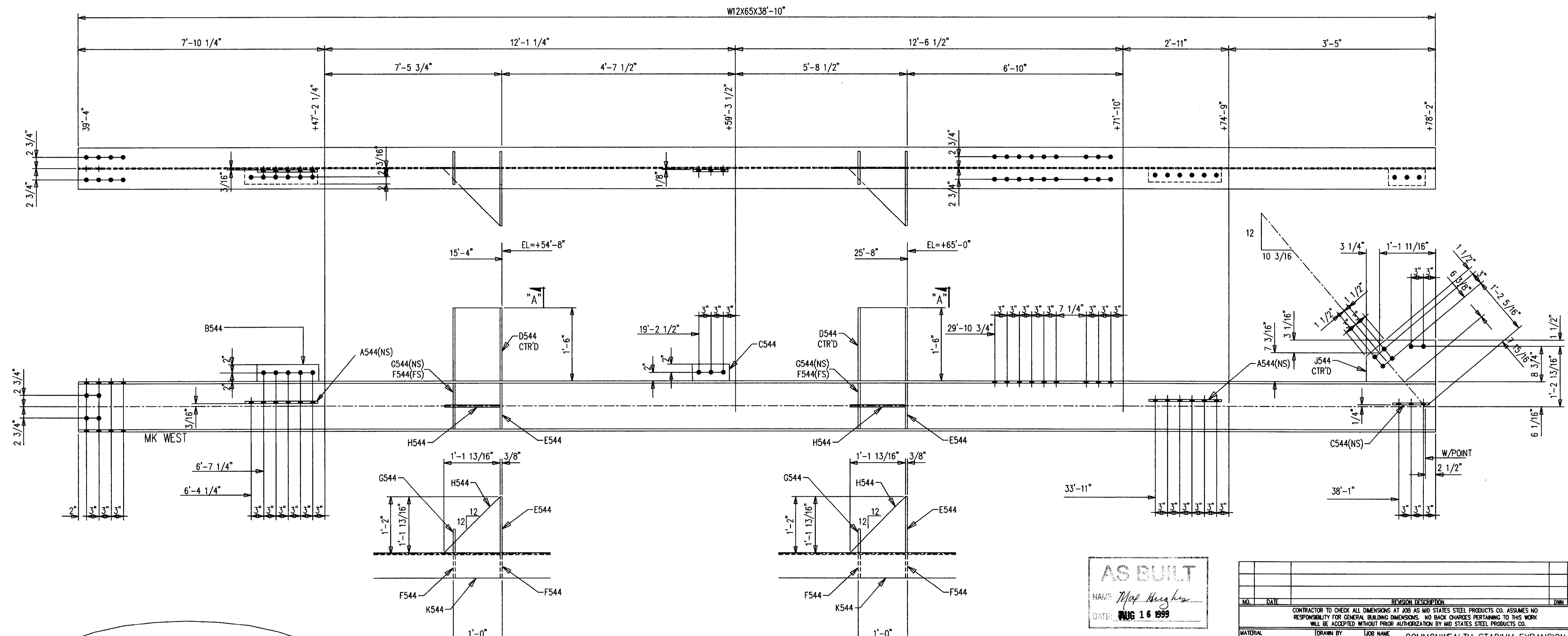
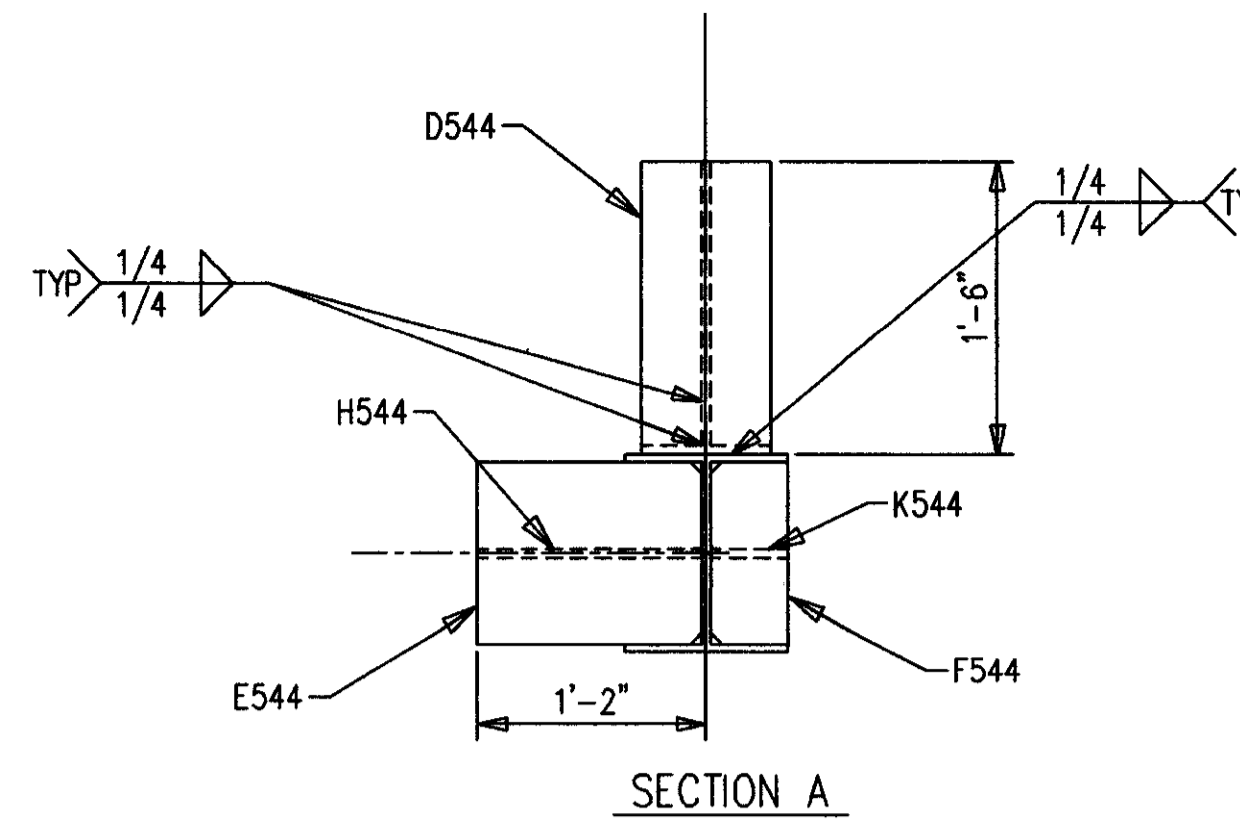
ALL RE-ENTRANT CUTS MIN. 1/2" RAD. U/N	WELD ELECTRODE U/N E70XX	CHECKED BY GCL	DATE 12/98
ALL A325 BOLTS W/ONE HARD WASH. AND HVY HEX NUT	SHOP PAINT SEE SPECS	CONTRACTOR TURNER CONSTRUCTION COMPANY	ENGINEER WALTER P. MOORE
ALL A307 BOLTS W/HEX NUT	DRAWING TITLE DIAGONALS	P.O. BOX 11128-2044 BUCK LANE LEXINGTON, KENTUCKY 40511 PHONE: 606-233-4344 FAX: 606-233-4346	
DATE	APP	SHOP	FIELD

NO.	DATE	REVISION DESCRIPTION	OWN	CRD
CONTRACTOR TO CHECK ALL DIMENSIONS AT JOB AS MID STATES STEEL PRODUCTS CO. ASSUMES NO RESPONSIBILITY FOR GENERAL BUILDING DIMENSIONS. NO BACK CHARGES PERTAINING TO THIS WORK WILL BE ACCEPTED WITHOUT PRIOR AUTHORIZATION BY MID STATES STEEL PRODUCTS CO.				
MATERIAL U/N A36	DRAWN BY KMP	JOB NAME COMMONWEALTH STADIUM EXPANSION		
OPEN HOLES U/N 1-1/16"	DATE 12/98	JOB LOCATION UNIVERSITY OF KENTUCKY		
DRAWING NO. 551		CONTRACTOR TURNER CONSTRUCTION COMPANY		
DRAWING TITLE DIAGONALS		ENGINEER WALTER P. MOORE		
MID STATES STEEL PRODUCTS CO. FABRICATORS OF STRUCTURAL AND MISCELLANEOUS STEEL			ORDER NO. P3524	SHEET NO. 551

Doc # 34881  
206 D-2  
Cab # Slot

# BILL OF MATERIAL

MARK	QUAN.	DESCRIPTION	LENGTH		REMARKS
			FT.	IN.	
552C1 L	ONE	COLUMN			
552C1	1	W12X65 A572	38	10	SC1E/P
A544	2	FB1/2X4	1	6	P
B544	1	FB1/2X4	1	3	P
C544	2	FB1/2X4	0	9	P
D544	2	W12X40 A572	1	6	SC1E
E544	2	PL3/8X10-7/8	1	1-13/16	STIFF
F544	4	PL3/8X5-13/16	0	10-7/8	STIFF
G544	2	PL3/8X5-13/16	0	10-7/8	STIFF
H544	2	PL3/8X13-13/16	1	1-13/16	1-MAKES-2
J544	1	PL1X10-1/4	1	4-15/16	P
K544	2	PL3/8X5-13/16	0	11-1/4	
552C1 R	ONE	COLUMN			
552C1	1	W12X65 A572	38	10	SC1E/P
A544	2	FB1/2X4	1	6	P
B544	1	FB1/2X4	1	3	P
C544	2	FB1/2X4	0	9	P
D544	2	W12X40 A572	1	6	SC1E
E544	2	PL3/8X10-7/8	1	1-13/16	STIFF
F544	4	PL3/8X5-13/16	0	10-7/8	STIFF
G544	2	PL3/8X5-13/16	0	10-7/8	STIFF
H544	2	PL3/8X13-13/16	1	1-13/16	1-MAKES-2
J544	1	PL1X10-1/4	1	4-15/16	P
K544	2	PL3/8X5-13/16	0	11-1/4	



SHOP NOTES:  
 1. PRIMER ONLY 3" AROUND ALL HOLES UNLESS NOTED PF(PRIMER/FINISH).  
 2. P=PRIMER ONLY AS DIMENSIONED.  
 3. NP=NO PAINT IN 3" WIDE STRIP, CENTER OF BEAM, FULL LENGTH.

ONE-COLUMN 552C1 R [AS SHOWN]  
 ONE-COLUMN 552C1 L [OPP HAND]

**AS BUILT**  
 NAME: *Map Hughes*  
 DATE: **MAY 16 1999**

DATE	APP	SHOP	FIELD

MATERIAL U/N A36		DRWN BY <b>KMP</b>	JOB NAME COMMONWEALTH STADIUM EXPANSION
OPEN HOLES U/N 1 1/8 φ		DATE 2/99	JOB LOCATION UNIVERSITY OF KENTUCKY
WELD ELECTRODE U/N E70XX		CHECKED BY <b>GCL</b>	CONTRACTOR TURNER CONSTRUCTION COMPANY
SHOP PAINT SEE SPECS		DATE 9/98	ENGINEER WALTER P. MOORE AND ASSOCIATES, INC.
DRAWING TITLE <b>COLUMN</b>			

CONTRACTOR TO CHECK ALL DIMENSIONS AT JOB AS MID STATES STEEL PRODUCTS CO. ASSUMES NO RESPONSIBILITY FOR GENERAL BUILDING DIMENSIONS. NO BACK CHARGES PERTAINING TO THIS WORK WILL BE ACCEPTED WITHOUT PRIOR AUTHORIZATION BY MID STATES STEEL PRODUCTS CO.

NO.	DATE	REVISION DESCRIPTION	OWN	CHK

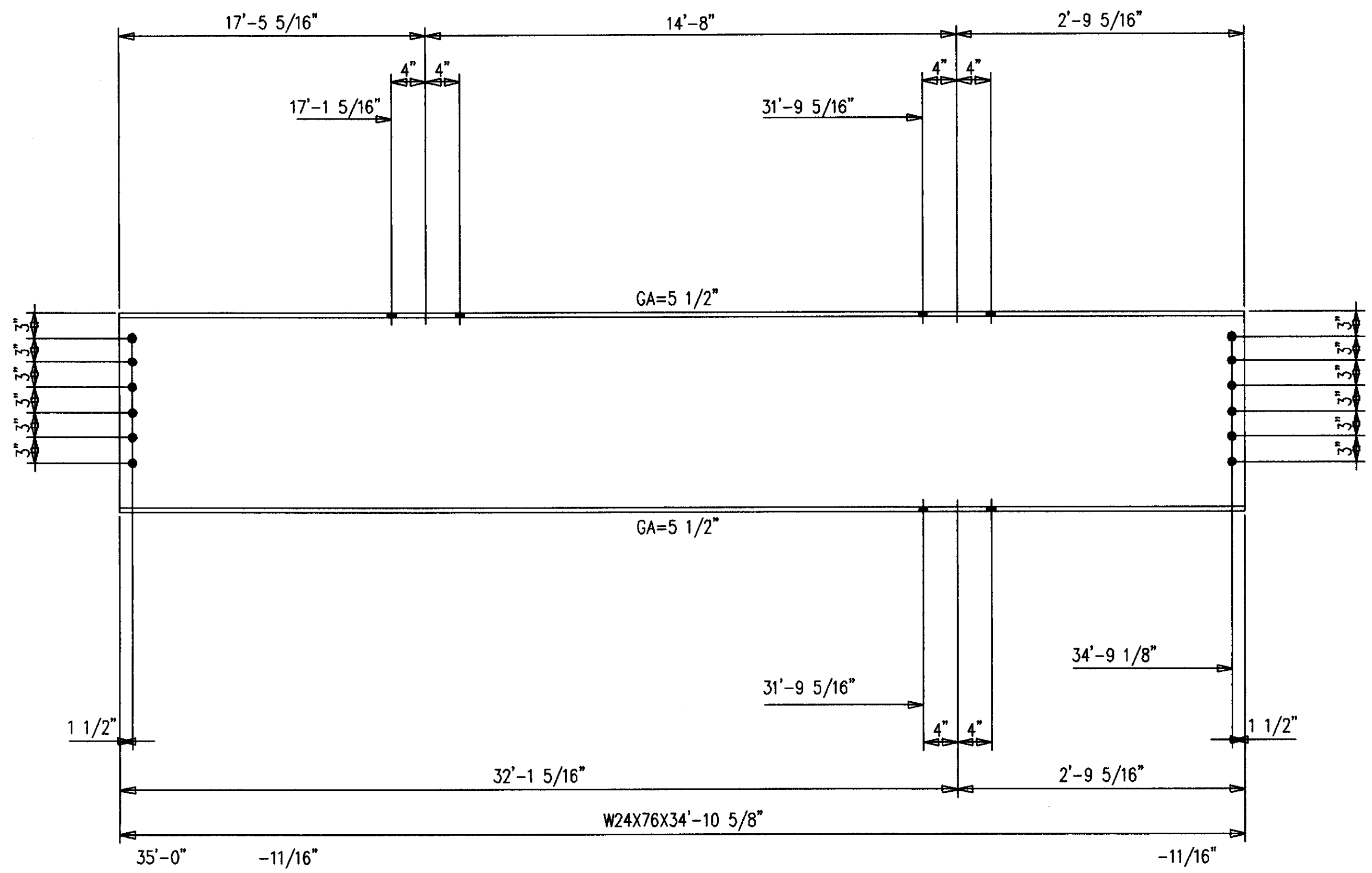
P.O. BOX 11128-2044 BUCK LANE  
 LEXINGTON, KENTUCKY 40511  
 PHONE: 606-233-4344 FAX: 606-233-4346

**MID STATES STEEL PRODUCTS CO.**  
 FABRICATORS OF STRUCTURAL AND MISCELLANEOUS STEEL

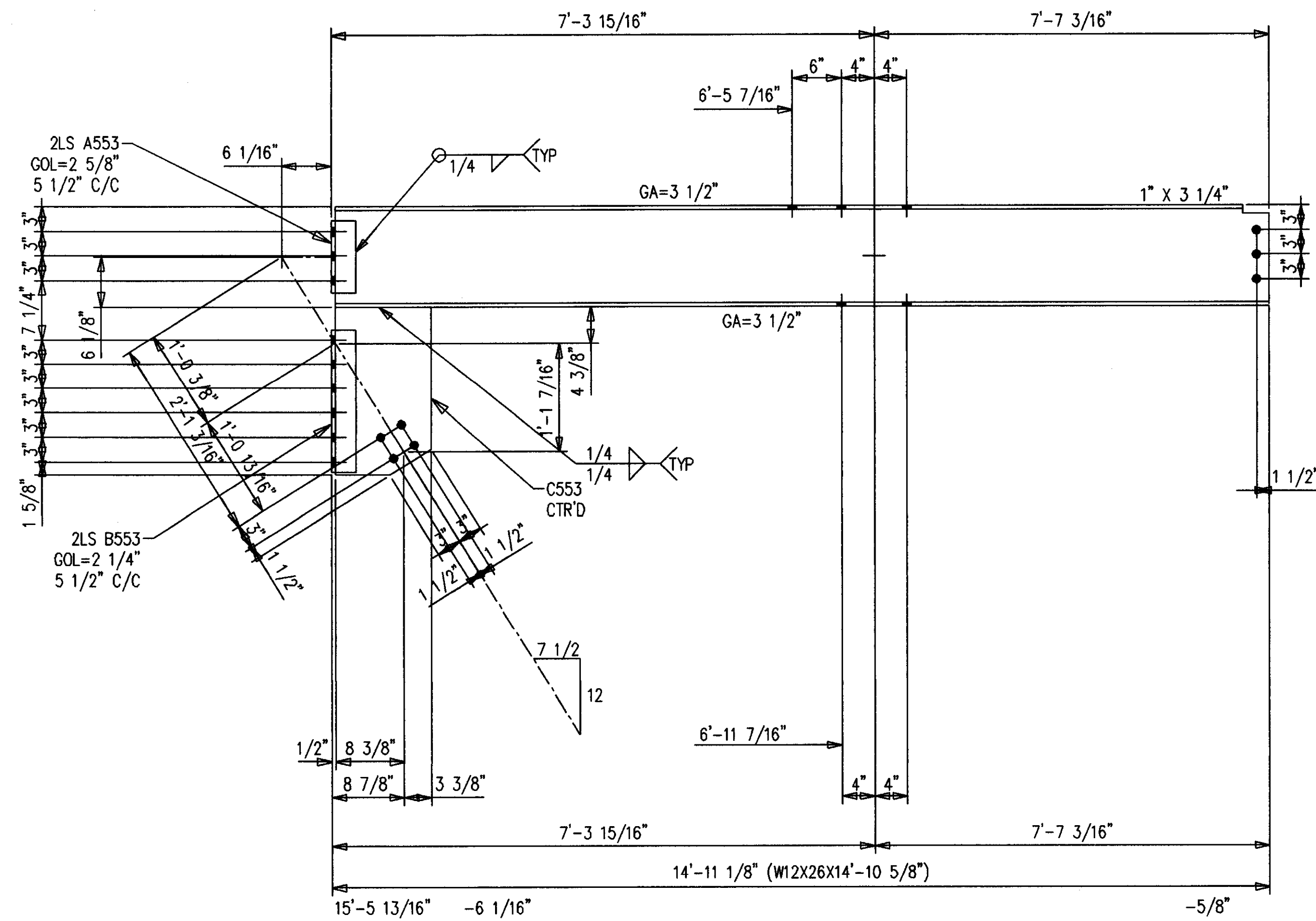
ORDER NO. **P3524**  
 SHEET NO. **552**

Document # 34882  
 Cab # 206 D-2

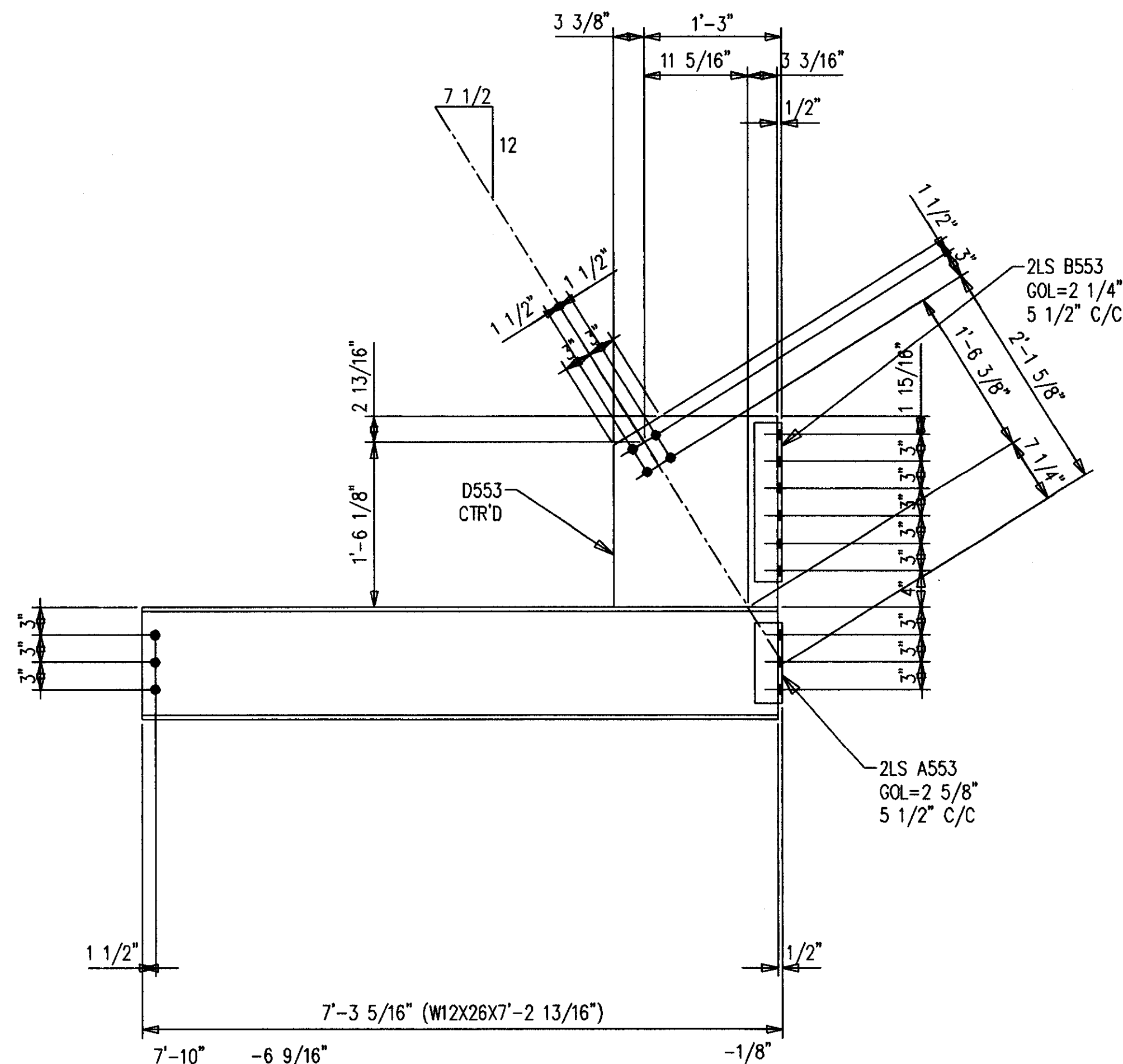




2-BEAMS 553B1  
24-A490 1 X 2 3/4 F1644H  
24-LOAD IND WASH 1 F16LIW



2-BEAMS 553B2  
6-A490 1 X 2 1/2 F1640H  
36-A490 1 X 2 3/4 F1644H  
42-LOAD IND WASH 1 F16LIW



2-BEAMS 553B3  
42-A490 1 X 2 1/2 F1640H  
42-LOAD IND WASH 1 F16LIW

BILL OF MATERIAL

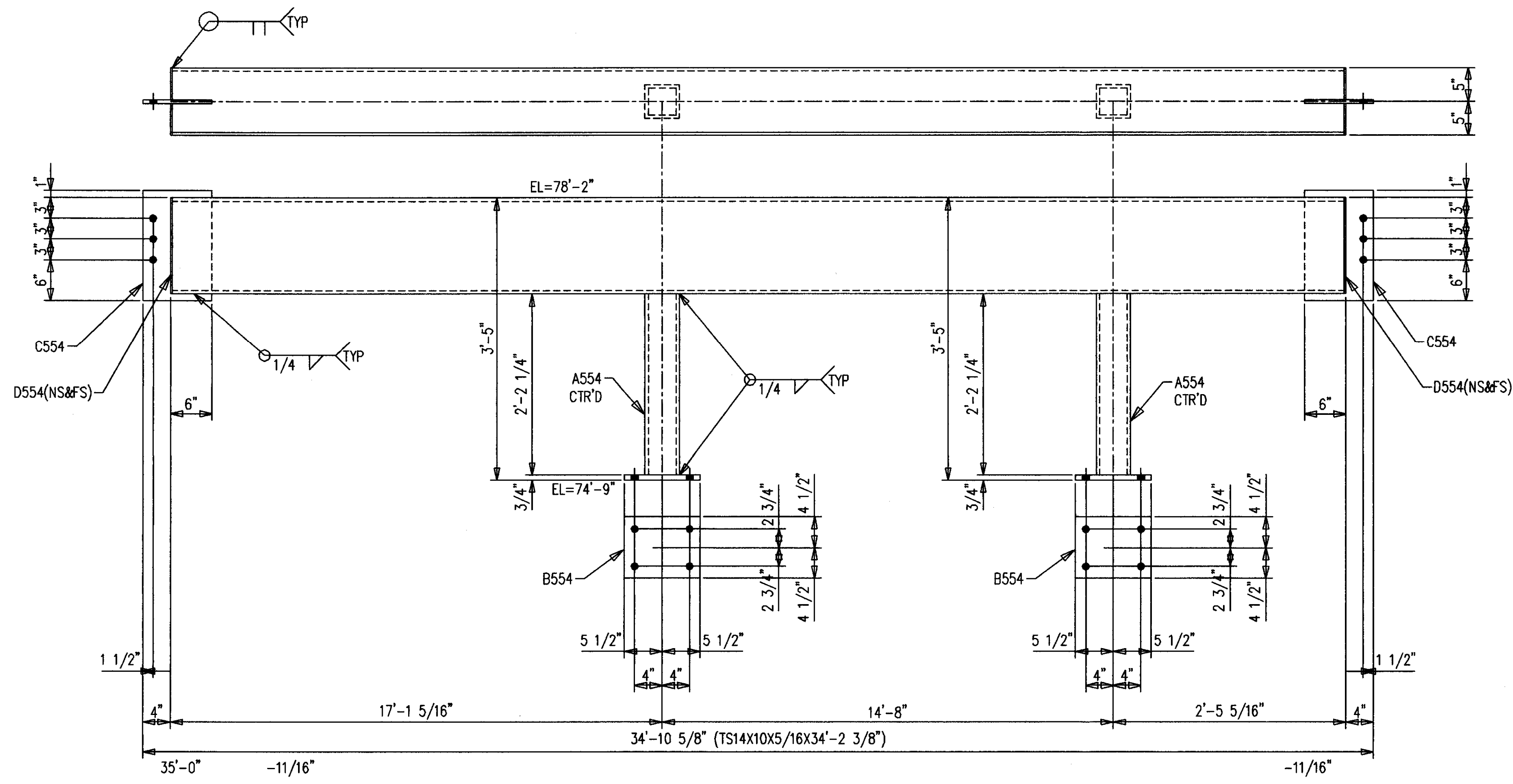
SHIP MARK SUB MARK	NO. PCS.	DESCRIPTION	LENGTH		CL UST	REMARKS
			FT.	IN.		
553B1	2	BEAMS				
553B1	2	W24X76 A572	34	10-5/8		P
553B2	2	BEAMS				
553B2	2	W12X26 A572	14	10-5/8		P
A553	4	L4X3X1/2	0	9		P
B553	4	L4X3X1/2	1	6		P
C553	2	PL1X11-3/4	1	8-5/8		P
553B3	2	BEAMS				
553B3	2	W12X26 A572	7	2-13/16		P
A553	4	L4X3X1/2	0	9		P
B553	4	L4X3X1/2	1	6		P
D553	2	PL1X17-7/8	1	8-15/16		P
		FIELD BOLTS				
F1640H	49	A490 1X2-1/2				
F1644H	61	A490 1X2-3/4				
F16LIW	110	A LOAD IND 1				

AS BUILT  
NAME: *Met Hughes*  
DATE: **AUG 16 1999**

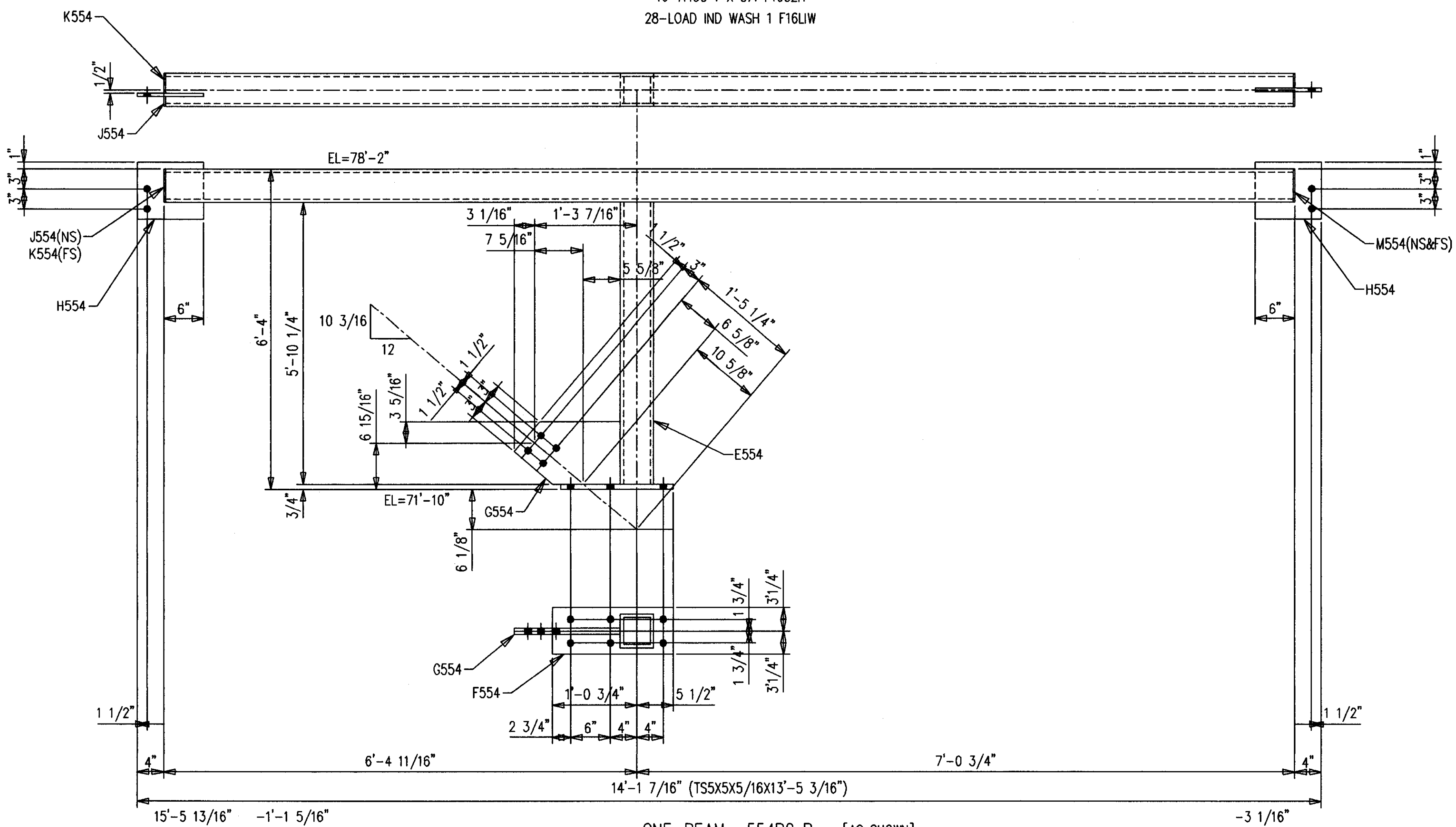
NO.	DATE	REVISION DESCRIPTION	DWN	CRD
CONTRACTOR TO CHECK ALL DIMENSIONS AT JOB AS MID STATES STEEL PRODUCTS CO. ASSUMES NO RESPONSIBILITY FOR GENERAL BUILDING DIMENSIONS. NO BACK CHARGES PERTAINING TO THIS WORK WILL BE ACCEPTED WITHOUT PRIOR AUTHORIZATION BY MID STATES STEEL PRODUCTS CO.				
MATERIAL U/M	A36	DRAWN BY <b>KMP</b>	JOB NAME COMMONWEALTH STADIUM EXPANSION	
OPEN HOLES U/M	1-1/16" Ø	DATE 2/99	JOB LOCATION UNIVERSITY OF KENTUCKY	
WELD ELECTRODE U/M	E70XX	CHECKED BY <b>GCL</b>	CONTRACTOR TURNER CONSTRUCTION COMPANY	
SHOP PAINT	SEE SPECS	DATE 2/99	ENGINEER WALTER P. MOORE	
DRAWING TITLE	BEAMS			
			P.O. BOX 11128-2044 BUCK LANE LEXINGTON, KENTUCKY 40511 PHONE: 606-233-4344 FAX: 606-233-4346	
			ORDER NO.	P3524
			SHEET NO.	553

DATE	APP	SHOP	FIELD

Document # 34883  
 Cab # 810C  
 206 D-2



2-BEAMS -554B1  
 12-A490 1 X 2 3/4 F1644H  
 16-A490 1 X 3/4 F1652H  
 28-LOAD IND WASH 1 F16LW



ONE-BEAM -554B2 R [AS SHOWN]  
 ONE-BEAM -554B2 L [OPP HAND]  
 16-A490 1 X 2 3/4 F1644H  
 4-A490 1 X 3/4 F1652H  
 20-LOAD IND WASH 1 F16LW

BILL OF MATERIAL

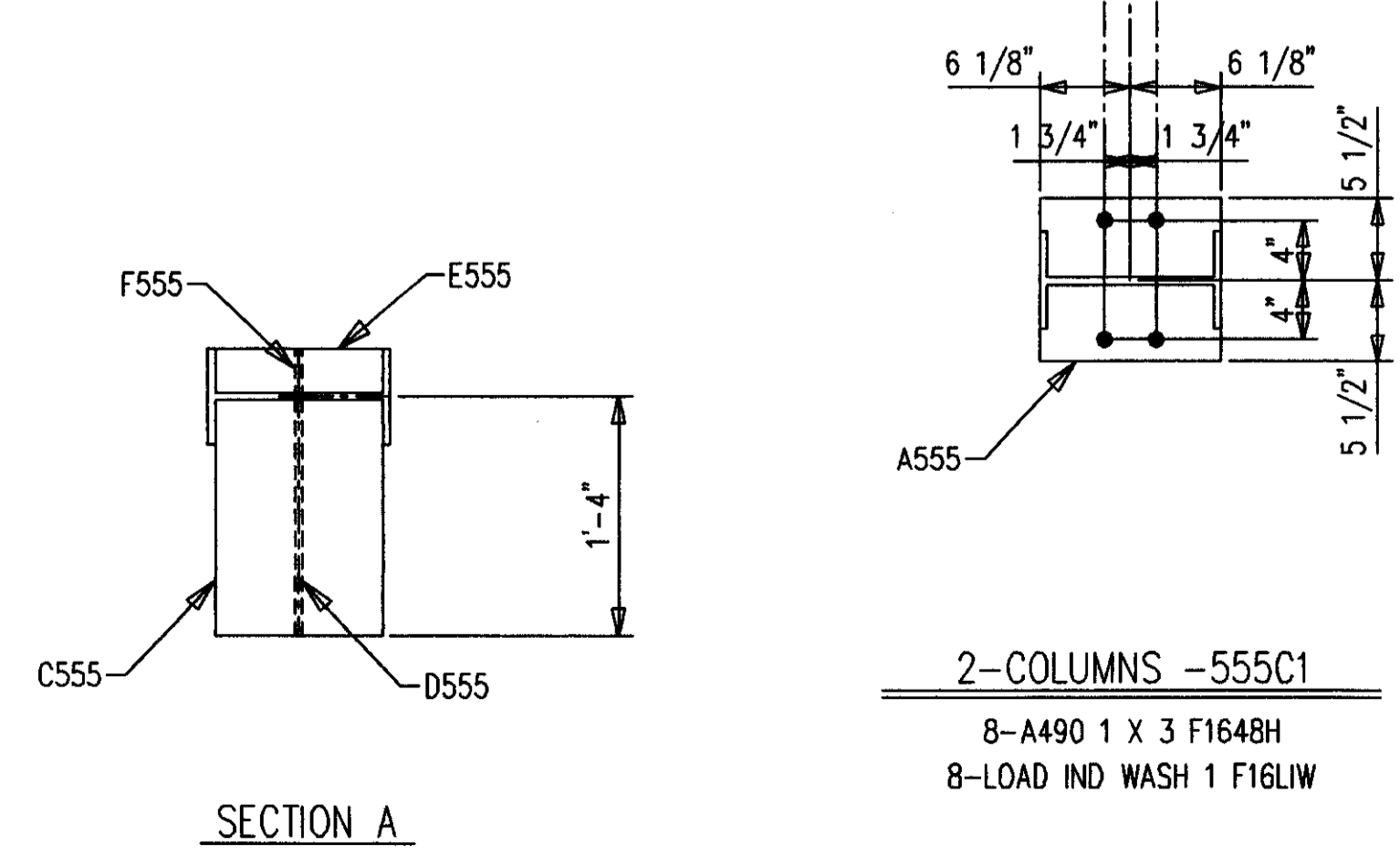
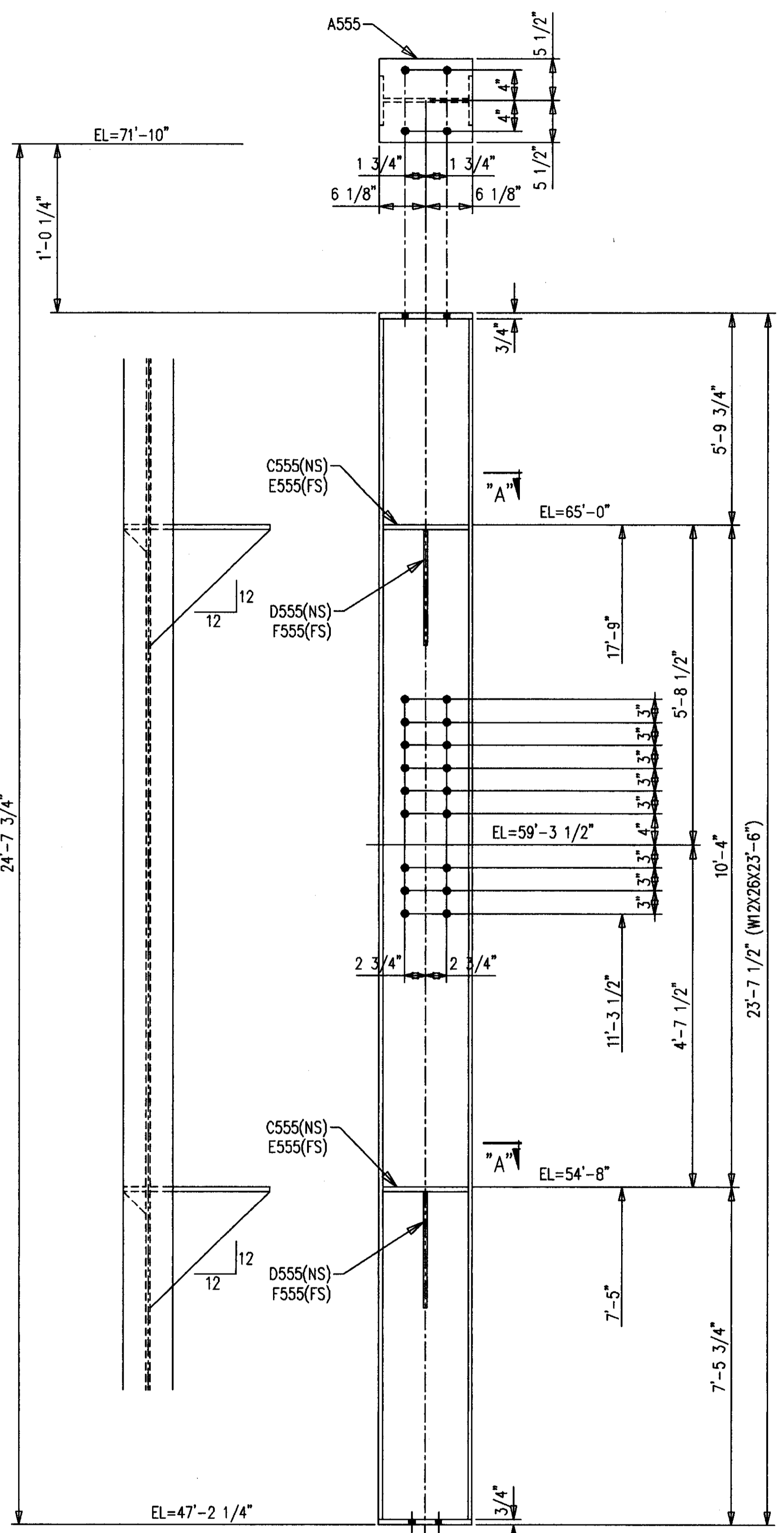
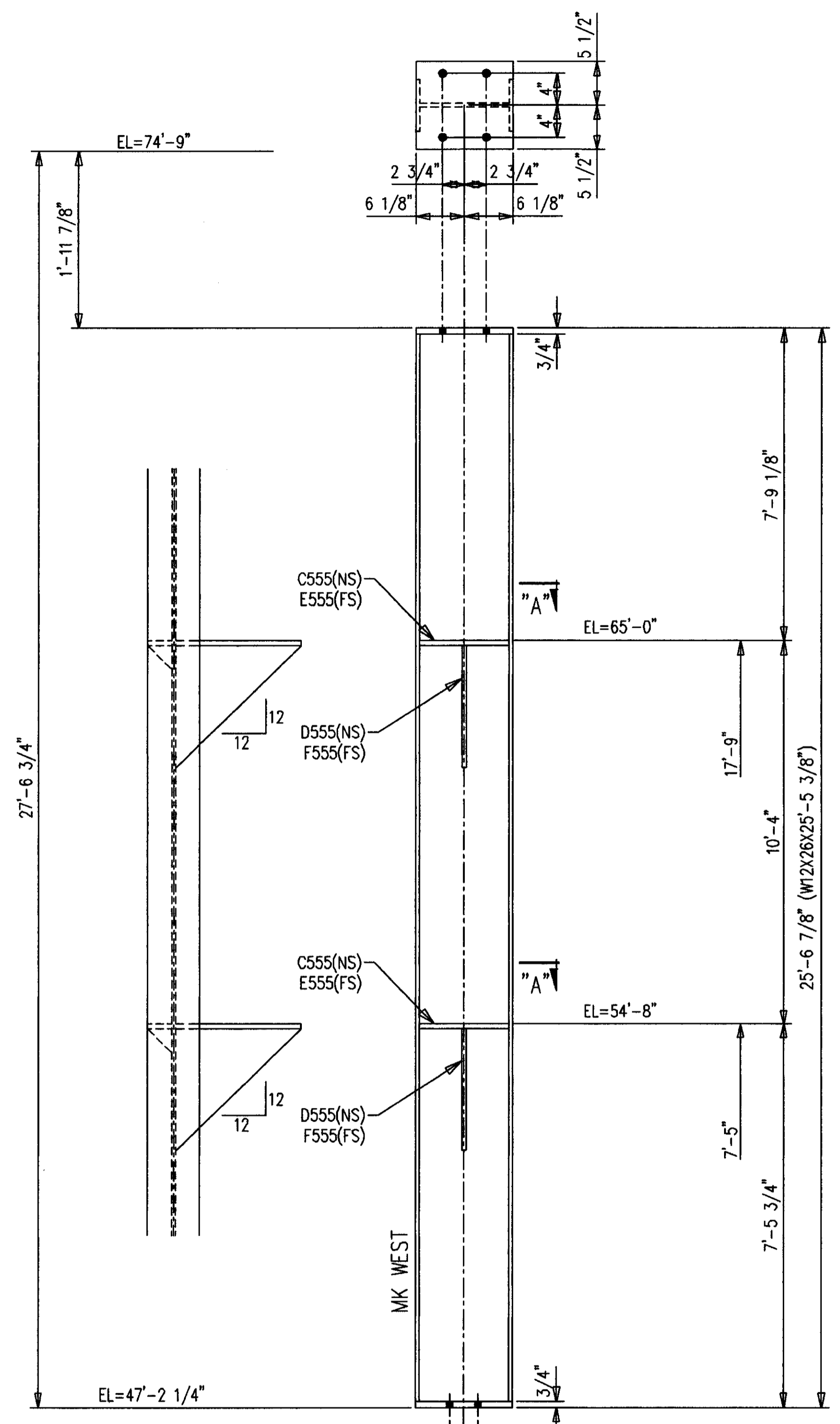
SHIP MARK SUB MARK	NO. PCS.	DESCRIPTION	LENGTH		CL LIST	REMARKS
			FT.	IN.		
554B1	2	BEAMS				
554B1	2	TS14X10X5/16	34	2-3/8		
A554	4	TS5X5X5/16	2	2-1/4		SC2E
B554	4	PL3/4X9	0	11		P
C554	4	PL1/2X10	1	4		P
D554	8	PL1/8X5-1/4	1	2		
554B2 L	ONE	BEAM				
554B2	1	TS5X5X5/16	13	5-3/16		
E554	1	TS5X5X5/16	5	10-1/4		SC2E
F554	1	PL3/4X6-1/2	1	6-1/4		P
G554	1	PL1X9-1/2	1	4		P
H554	2	PL1/2X8-1/2	0	10		P
J554	1	PL1/8X1-1/2	0	5		
K554	1	PL1/8X3	0	5		
M554	2	PL1/8X2-1/4	0	5		
554B2 R	ONE	BEAM				
554B2	1	TS5X5X5/16	13	5-3/16		
E554	1	TS5X5X5/16	5	10-1/4		SC2E
F554	1	PL3/4X6-1/2	1	6-1/4		P
G554	1	PL1X9-1/2	1	4		P
H554	2	PL1/2X8-1/2	0	10		P
J554	1	PL1/8X1-1/2	0	5		
K554	1	PL1/8X3	0	5		
M554	2	PL1/8X2-1/4	0	5		
		FIELD BOLTS				
F1644H	29	A490 1X2-3/4				
F1652H	21	A490 1X3-1/4				
F16LW	49	A LOAD IND 1				

AS BUILT  
 NAME *Map Hughes*  
 DATE **AUG 16 1999**

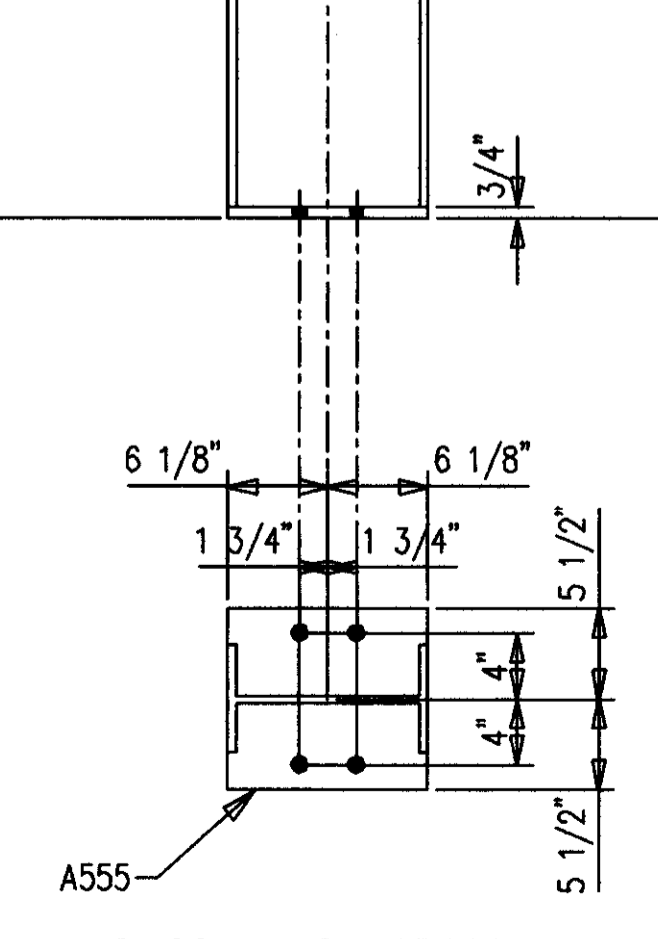
NO.		DATE		REVISION DESCRIPTION		DRN	CRD
CONTRACTOR TO CHECK ALL DIMENSIONS AT JOB AS MID STATES STEEL PRODUCTS CO. ASSUMES NO RESPONSIBILITY FOR GENERAL BUILDING DIMENSIONS. NO BACK CHARGES PERTAINING TO THIS WORK							
MATERIAL U/N	A36	DRAWN BY	KMP	JOB NAME	COMMONWEALTH STADIUM EXPANSION		
OPEN HOLES U/N	1-1/16ø	DATE	2/99	JOB LOCATION	UNIVERSITY OF KENTUCKY		
WELD ELECTRODE U/N	E70XX	CHECKED BY	GCL	CONTRACTOR	TURNER CONSTRUCTION COMPANY		
SHOP PAINT	SEE SPECS	DATE	2/99	ENGINEER	WALTER P. MOORE		
ALL RE-ENTRANT CUTS MIN. 1/2" RAD. U/N		ALL A325 BOLTS w/ONE HARD WASH. AND HVY HEX NUT		ALL A307 BOLTS w/HEX NUT			
DATE	APP	SHOP	FIELD	DRAWING TITLE BEAMS			
				P.O. BOX 11128-2044 BUCK LANE LEXINGTON, KENTUCKY 40511 PHONE: 606-233-4344 FAX: 606-233-4346			
				ORDER NO.		P3524	
				SHEET NO.		554	

BILL OF MATERIAL

SHIP MARK SUB MARK	NO. PCS.	DESCRIPTION	LENGTH		CL UST	REMARKS
			FT.	IN.		
555C1	2	COLUMNS				
555C1	2	W12X26 A572	25	5-3/8		SC2E
A555	2	PL3/4X11	1	0-1/4		P
B555	2	PL3/4X11	0	11-1/4		P
C555	4	PL5/8X11-3/8	1	3-7/8		STIFF
D555	4	PL3/8X15-7/8	1	3-7/8		1-MAKES-2
E555	4	PL5/8X3-1/8	0	11-3/8		STIFF
F555	4	PL3/8X3-1/8	0	3-1/8		1-MAKES-2
555C2	2	COLUMNS				
555C2	2	W12X26 A572	23	6		P/SC2E
A555	4	PL3/4X11	1	0-1/4		P
C555	4	PL5/8X11-3/8	1	3-7/8		STIFF
D555	4	PL3/8X15-7/8	1	3-7/8		1-MAKES-2
E555	4	PL5/8X3-1/8	0	11-3/8		STIFF
F555	4	PL3/8X3-1/8	0	3-1/8		1-MAKES-2
		FIELD BOLTS				
F164BH	17	A490 1X3				
F16LIW	17	A LOAD IND 1				



2-COLUMNS -555C1  
 8-A490 1 X 3 F164BH  
 8-LOAD IND WASH 1 F16LIW



2-COLUMNS -555C2  
 8-A490 1 X 3 F164BH  
 8-LOAD IND WASH 1 F16LIW

AS BUILT  
 NAME: *Map Hughes*  
 DATE: AUG 16 1999

DATE	APP	SHOP	FIELD

CONTRACTOR TO CHECK ALL DIMENSIONS AT JOB AS MID STATES STEEL PRODUCTS CO. ASSUMES NO RESPONSIBILITY FOR GENERAL BUILDING DIMENSIONS. NO BACK CHARGES PERTAINING TO THIS WORK.

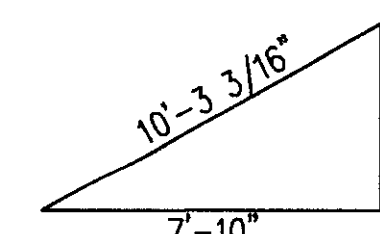
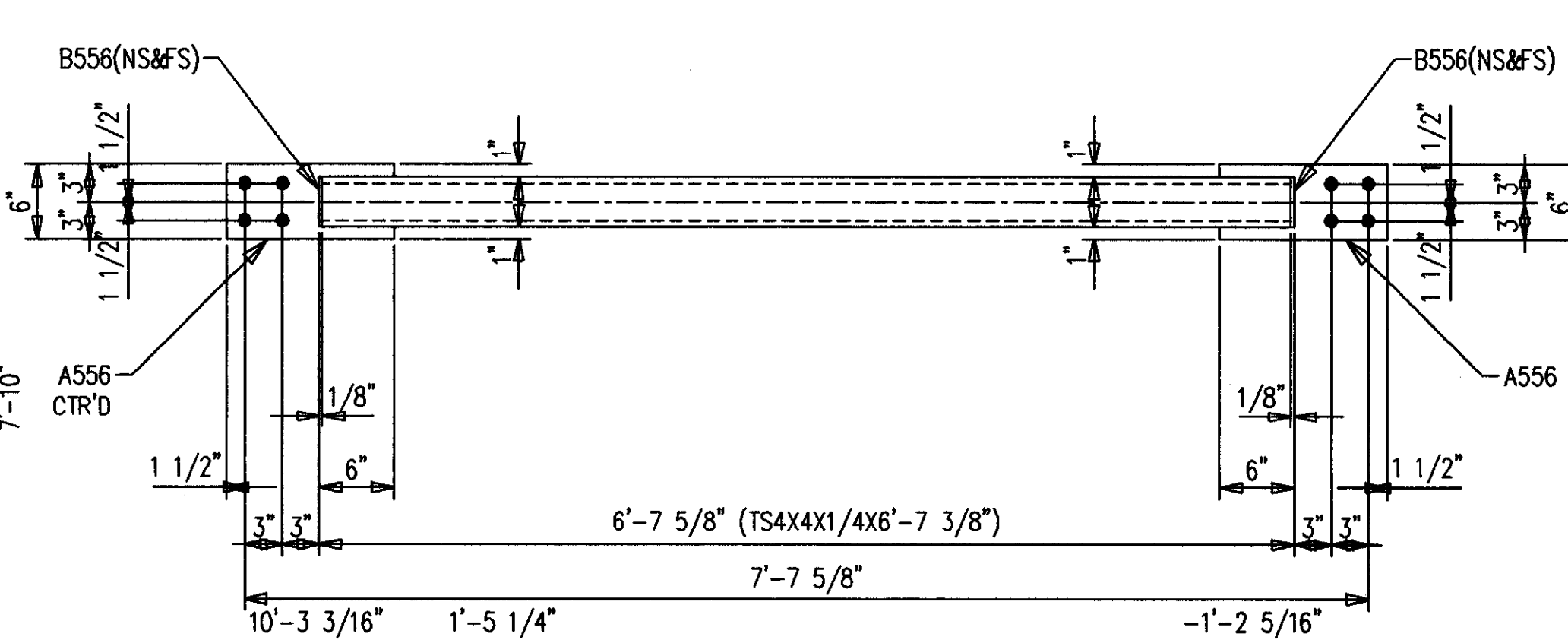
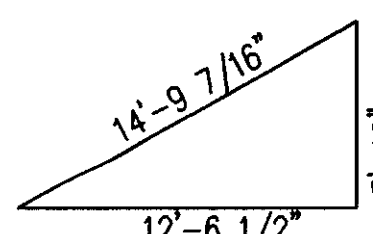
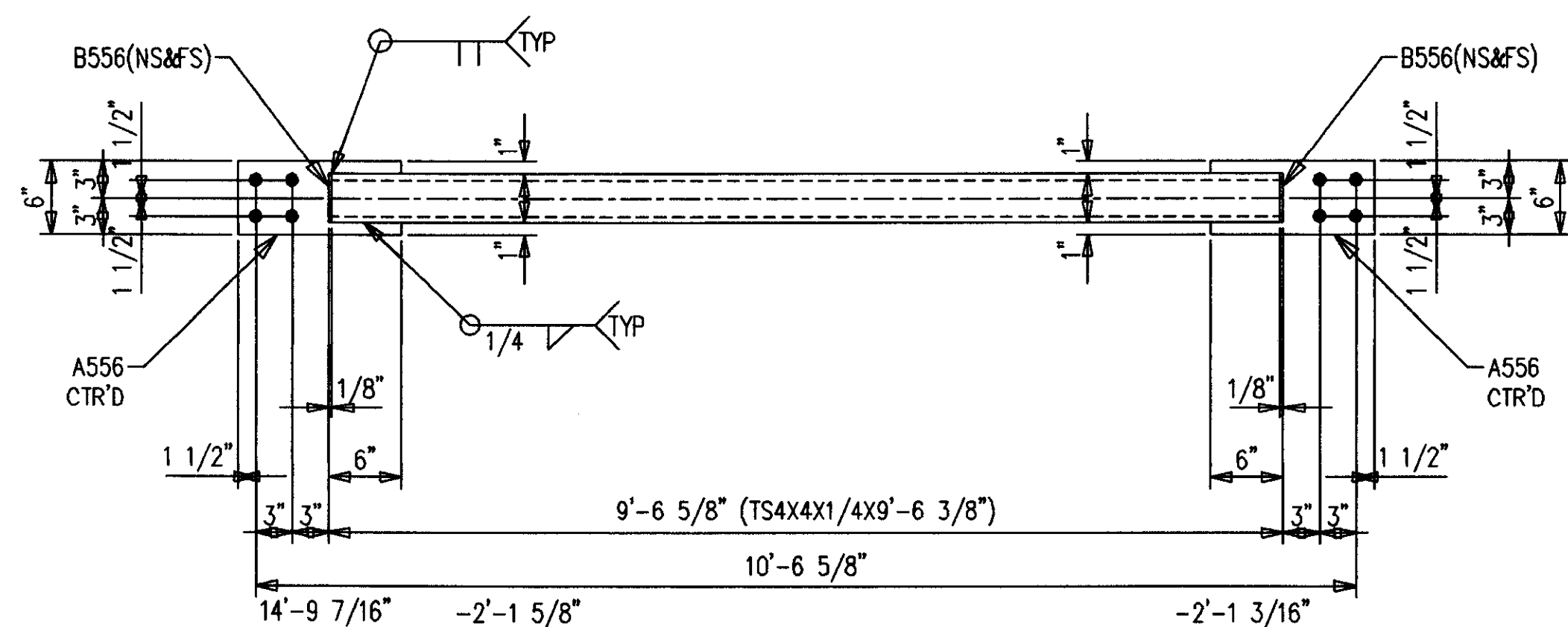
MATERIAL U/N A36	DRWN BY KMP	JOB NAME COMMONWEALTH STADIUM EXPANSION
OPEN HOLES U/N 1-1/16Ø	DATE 2/99	JOB LOCATION UNIVERSITY OF KENTUCKY
WELD ELECTRODE U/N E70XX	CHECKED BY GCL	CONTRACTOR TURNER CONSTRUCTION COMPANY
SHOP PAINT SEE SPECS	DATE 2/99	ENGINEER WALTER P. MOORE

DRAWING TITLE: COLUMNS

MID STATES STEEL PRODUCTS CO.  
 FABRICATORS OF STRUCTURAL AND MISCELLANEOUS STEEL

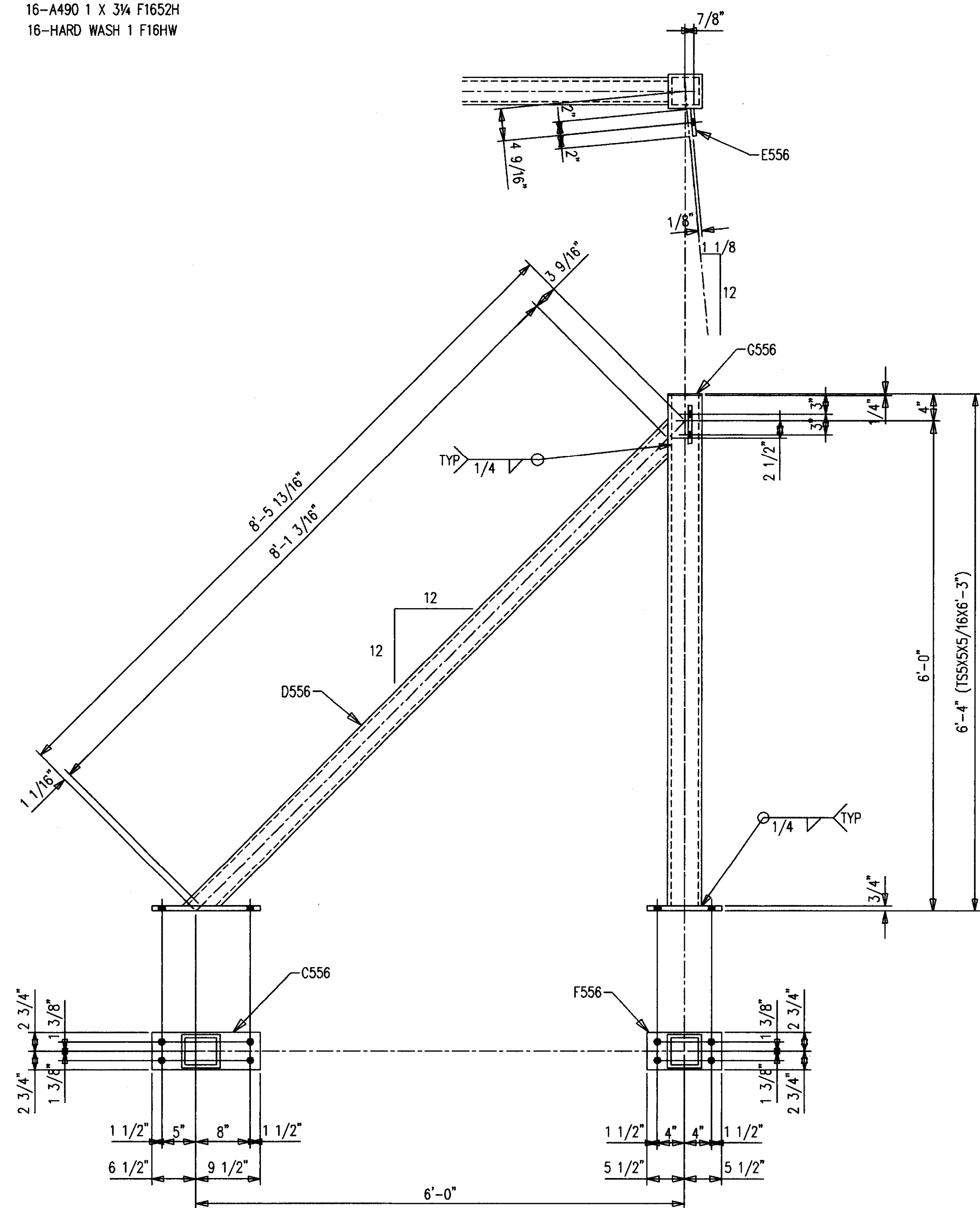
P.O. BOX 11128-2044 BUCK LANE  
 LEXINGTON, KENTUCKY 40511  
 PHONE: 606-233-4344 FAX: 606-233-4346

ORDER NO. P3524  
 SHEET NO. 555



2-DIAGONALS - 556D1  
 16-A490 1 X 3/4 F1652H  
 16-HARD WASH 1 F16HW

2-DIAGONALS - 556D2  
 16-A490 1 X 3/4 F1652H  
 16-HARD WASH 1 F16HW



ONE-COLUMN - 556C1 R [AS SHOWN]  
 ONE-COLUMN - 556C1 L [OPP HAND]  
 16-A490 1 X 3/4 F1644H  
 16-HARD WASH 1 F16HW

### BILL OF MATERIAL

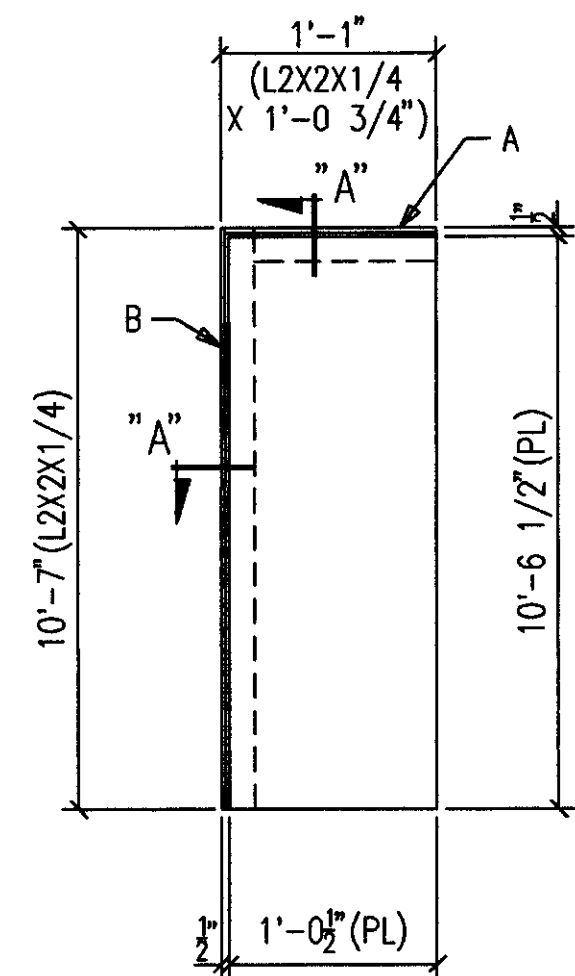
SHIP MARK SUB MARK	NO. PCS.	DESCRIPTION	LENGTH		CL UST	REMARKS
			FT.	IN.		
556C1 L	ONE	COLUMN				
556C1	1	TS5X5X5/16	6	3		SC1E
C556	1	PL3/4X5-1/2	1	4		P
D556	1	TS4X4X1/4	8	5-3/16		BC2E
E556	1	FB1/2X4	0	6		P
F556	1	PL3/4X5-1/2	0	11		P
G556	1	FB1/4X5	0	5		P
556C1 R	ONE	COLUMN				
556C1	1	TS5X5X5/16	6	3		SC1E
C556	1	PL3/4X5-1/2	1	4		P
D556	1	TS4X4X1/4	8	5-3/16		BC2E
E556	1	FB1/2X4	0	6		P
F556	1	PL3/4X5-1/2	0	11		P
G556	1	FB1/4X5	0	5		P
556D1	2	DIAGONALS				
556D1	2	TS4X4X1/4	9	6-3/8		
A556	4	FB1/2X6	1	1-1/2		P
B556	8	PL1/8X2-1/4	0	5		
556D2	2	DIAGONALS				
556D2	2	TS4X4X1/4	6	7-3/8		
A556	4	FB1/2X6	1	1-1/2		P
B556	8	PL1/8X2-1/4	0	5		
		FIELD BOLTS				
F1644H	17	A490 1X2-3/4				
F1652H	33	A490 1X3-1/4				
F16LIW	49	A LOAD IND 1				

**AS BUILT**  
 NAME: *Map. Hughes*  
 DATE: **AUG 16 1999**

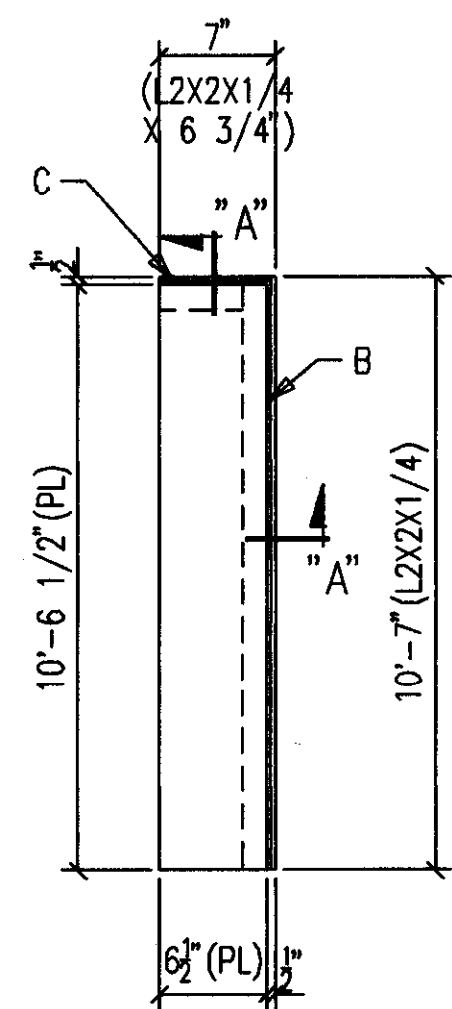
DATE	APP	SHOP	FIELD

NO.	DATE	REVISION DESCRIPTION	DRW. I. CRO
CONTRACTOR TO CHECK ALL DIMENSIONS AT JOB AS MID STATES STEEL PRODUCTS CO. ASSUMES NO RESPONSIBILITY FOR GENERAL BUILDING DIMENSIONS. NO BACK CHARGES PERTAINING TO THIS WORK			
MATERIAL U/N	A36	DRAWN BY	KMP
OPEN HOLES U/N	1-1/16ø	DATE	2/99
WELD ELECTRODE U/N	E70XX	CHECKED BY	GCL
SHOP PAINT	SEE SPECS	DATE	2/99
ALL A307 BOLTS w/HEX NUT		DRAWING TITLE	
COLUMNS & DIAGONALS		CONTRACTOR	
		TURNER CONSTRUCTION COMPANY	
		ENGINEER	
		WALTER P. MOORE	
		P.O. BOX 11128-2044 BUCK LANE	
		LEXINGTON, KENTUCKY 40511	
		PHONE: 606-233-4344 FAX: 606-233-4346	
		FABRICATORS OF STRUCTURAL AND MISCELLANEOUS STEEL	
		ORDER NO.	P3524
		SHEET NO.	556

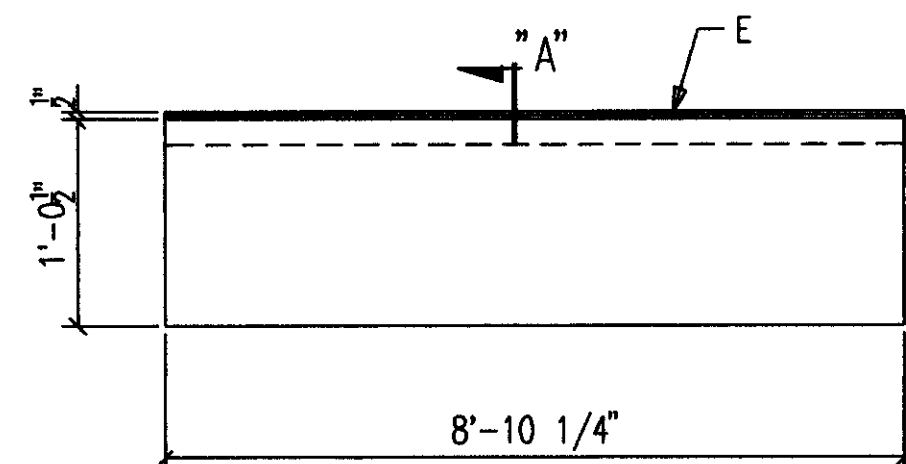
Doc # 348896  
 206 D-2



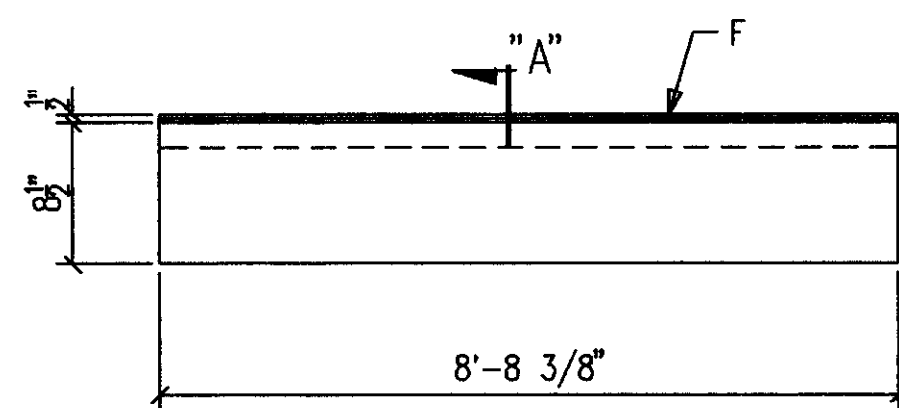
2-CURB PLATES 560M1 R [AS SHOWN]  
2-CURB PLATES 560M1 L [OPP HAND]



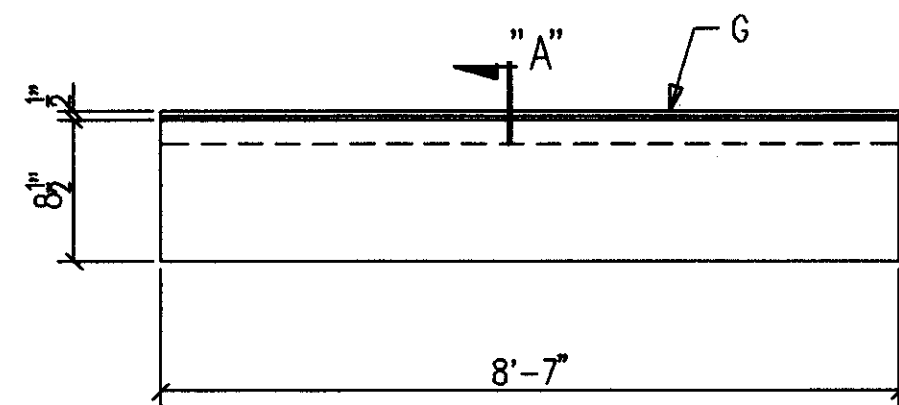
2-CURB PLATES 560M2 R [AS SHOWN]  
2-CURB PLATES 560M2 L [OPP HAND]



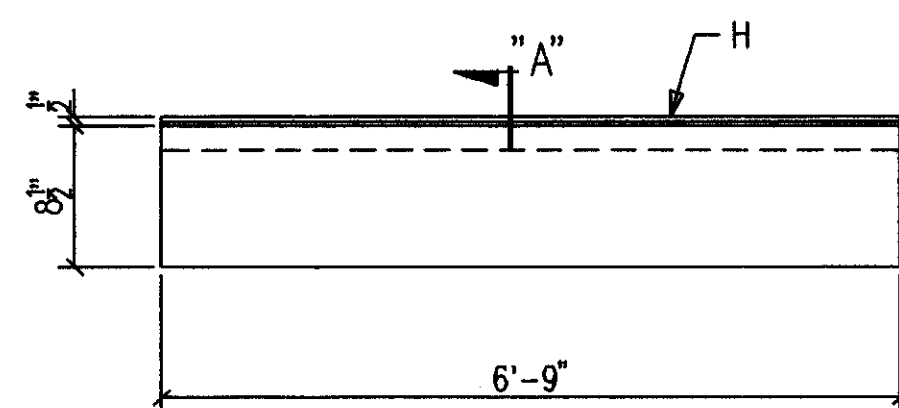
8-CURB PLATES 560M3



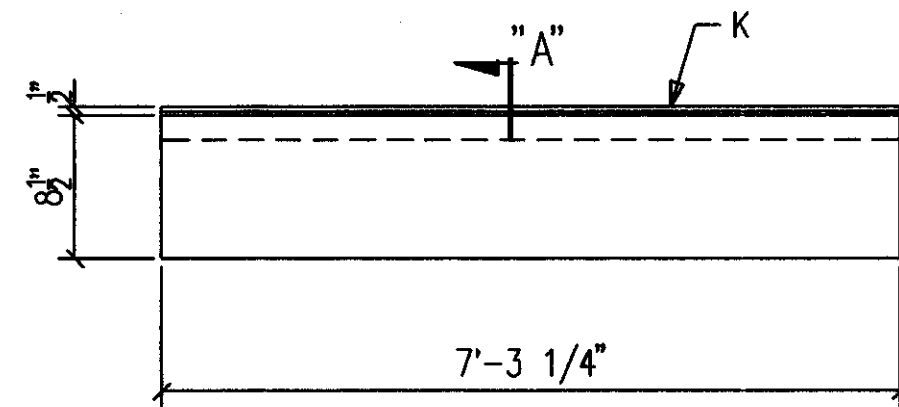
4-CURB PLATES 560M4



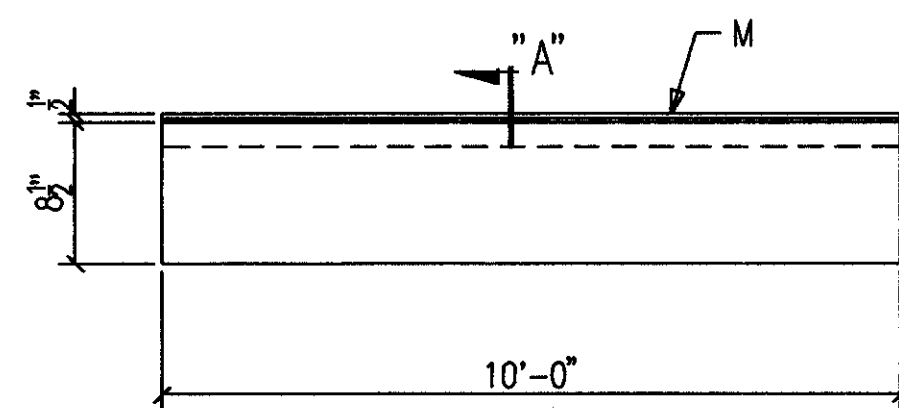
2-CURB PLATES 560M5



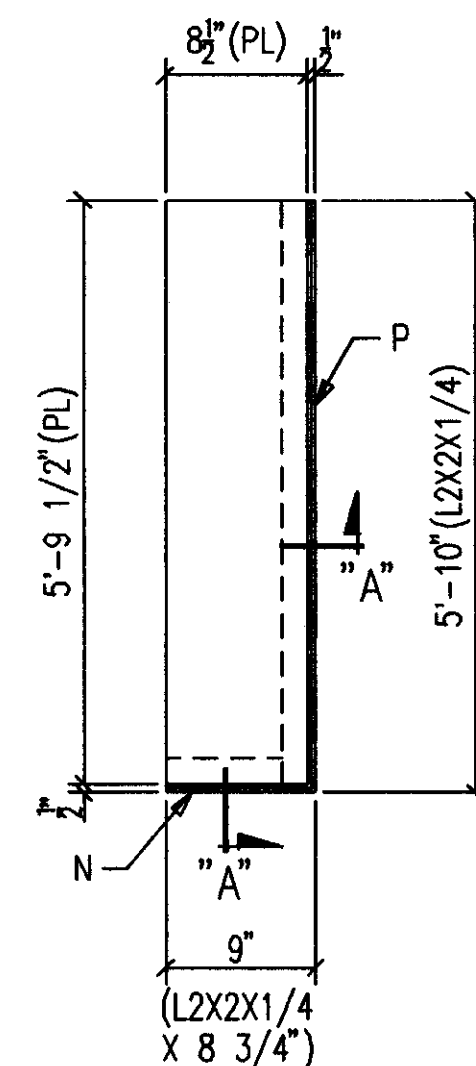
4-CURB PLATES 560M6



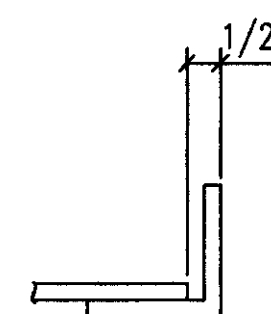
4-CURB PLATES 560M7



4-CURB PLATES 560M8



ONE-CURB PLATE 560M9 R [AS SHOWN]  
ONE-CURB PLATE 560M9 L [OPP HAND]



SECTION A

BILL OF MATERIAL

SHIP MARK SUB MARK	NO. PCS.	DESCRIPTION	LENGTH		CL U S E	REMARKS
			FT.	IN.		
560M1 L	2	CURB PLATES				
560M1	2	PL 1/4X12-1/2	10	6-1/2		
A560	2	L2X2X1/4	1	0-3/4		CTF
B560	2	L2X2X1/4	10	7		
560M1 R	2	CURB PLATES				
560M1	2	PL 1/4X12-1/2	10	6-1/2		
A560	2	L2X2X1/4	1	0-3/4		CTF
B560	2	L2X2X1/4	10	7		
560M2 L	2	CURB PLATES				
560M2	2	PL 1/4X6-1/2	10	6-1/2		
B560	2	L2X2X1/4	10	7		
C560	2	L2X2X1/4	0	6-3/4		CTF
560M2 R	2	CURB PLATES				
560M2	2	PL 1/4X6-1/2	10	6-1/2		
B560	2	L2X2X1/4	10	7		
C560	2	L2X2X1/4	0	6-3/4		CTF
560M3	8	CURB PLATES				
560M3	8	PL 1/4X12-1/2	8	10-1/4		
E560	8	L2X2X1/4	8	10-1/4		
560M4	4	CURB PLATES				
560M4	4	PL 1/4X8-1/2	8	8-3/8		
F560	4	L2X2X1/4	8	8-3/8		
560M5	2	CURB PLATES				
560M5	2	PL 1/4X8-1/2	8	7		
G560	2	L2X2X1/4	8	7		
560M6	4	CURB PLATES				
560M6	4	PL 1/4X8-1/2	6	9		
H560	4	L2X2X1/4	6	9		
560M7	4	CURB PLATES				
560M7	4	PL 1/4X8-1/2	7	3-1/4		
K560	4	L2X2X1/4	7	3-1/4		
560M8	4	CURB PLATES				
560M8	4	PL 1/4X8-1/2	10	0		
M560	4	L2X2X1/4	10	0		
560M9 L	ONE	CURB PLATE				
560M9	1	PL 1/4X8-1/2	5	9-1/2		
N560	1	L2X2X1/4	0	8-3/4		CTF
P560	1	L2X2X1/4	5	10		
560M9 R	ONE	CURB PLATE				
560M9	1	PL 1/4X8-1/2	5	9-1/2		
N560	1	L2X2X1/4	0	8-3/4		CTF
P560	1	L2X2X1/4	5	10		

AS BUILT  
NAME: *Max Hughes*  
DATE: **AUG 16 1999**

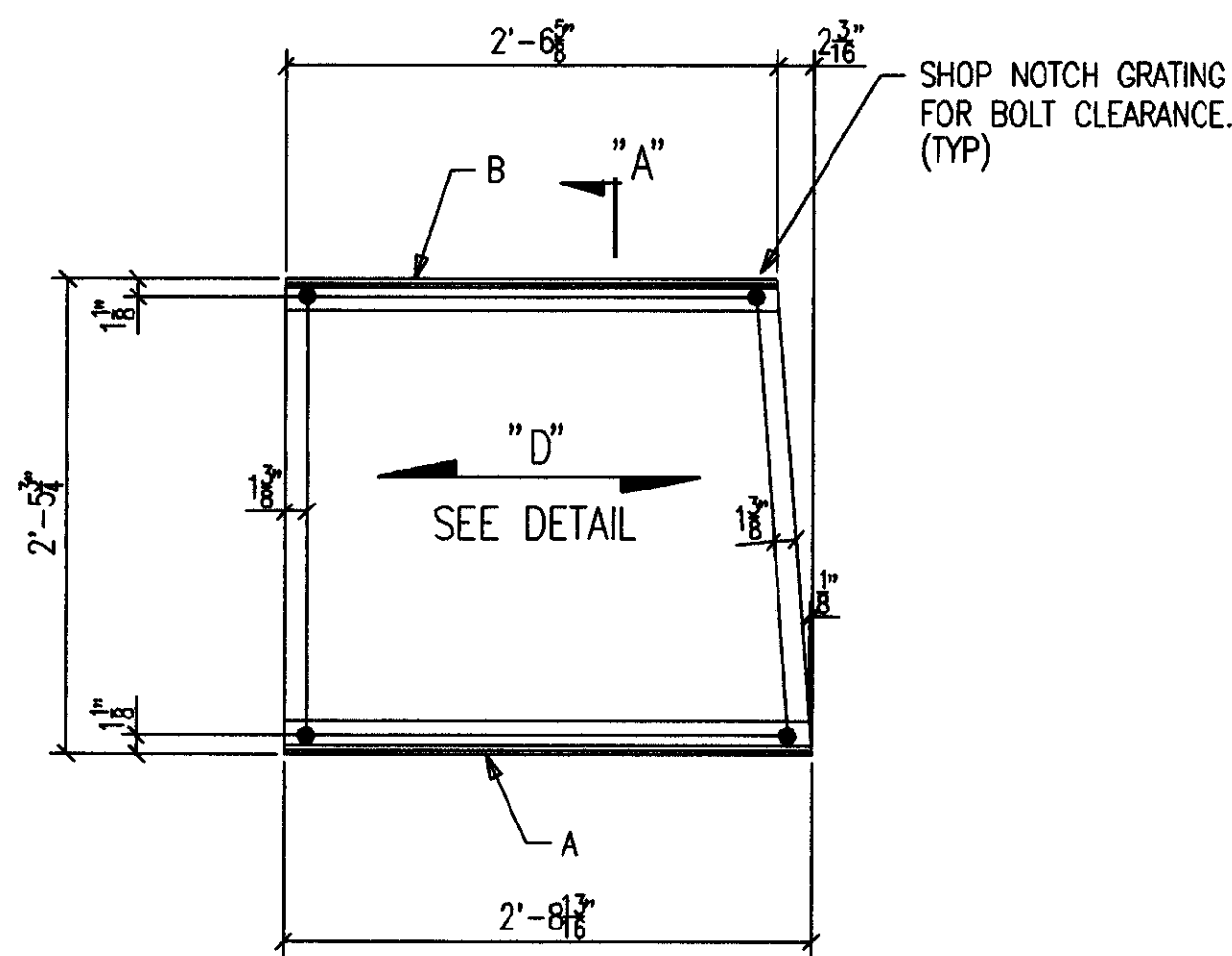
ALL RE-ENTRANT CUTS MIN. 1/2" RAD. U/W	WELD ELECTRODE E70XX	CHECKED BY	CONTRACTOR
ALL A325 BOLTS w/ONE HARD WASH. AND HYV HEX NUT	SHOP PAINT SEE SPECS	DATE	ENGINEER
ALL A307 BOLTS w/HEX NUT	DRAWING TITLE	ROOF BENT PLATE	
DATE	APP	SHOP	FIELD

NO.	DATE	REVISION DESCRIPTION	DWN	L	CRD
CONTRACTOR TO CHECK ALL DIMENSIONS AT JOB AS MID STATES STEEL PRODUCTS CO. ASSUMES NO RESPONSIBILITY FOR GENERAL BUILDING DIMENSIONS. NO BACK CHARGES PERTAINING TO THIS WORK WILL BE ACCEPTED WITHOUT PRIOR AUTHORIZATION BY MID STATES STEEL PRODUCTS CO.					
MATERIAL U/W	A36	DRAWN BY	SC	JOB NAME	COMMONWEALTH STADIUM EXPANSION
OPEN HOLES U/W	13/16" Ø	DATE	3/99	JOB LOCATION	UNIVERSITY OF KENTUCKY
WELD ELECTRODE U/W	E70XX	CHECKED BY		CONTRACTOR	TURNER CONSTRUCTION COMPANY
SHOP PAINT U/W	SEE SPECS	DATE		ENGINEER	WALTER P. MOORE
DRAWING TITLE	ROOF BENT PLATE				
2044 BUCK LANE LEXINGTON, KENTUCKY 40511 PHONE: 606-233-4344 FAX: 606-233-4346					ORDER NO. P3524
MID STATES STEEL PRODUCTS CO. FABRICATORS OF STRUCTURAL AND MISCELLANEOUS STEEL					SHEET NO. 560

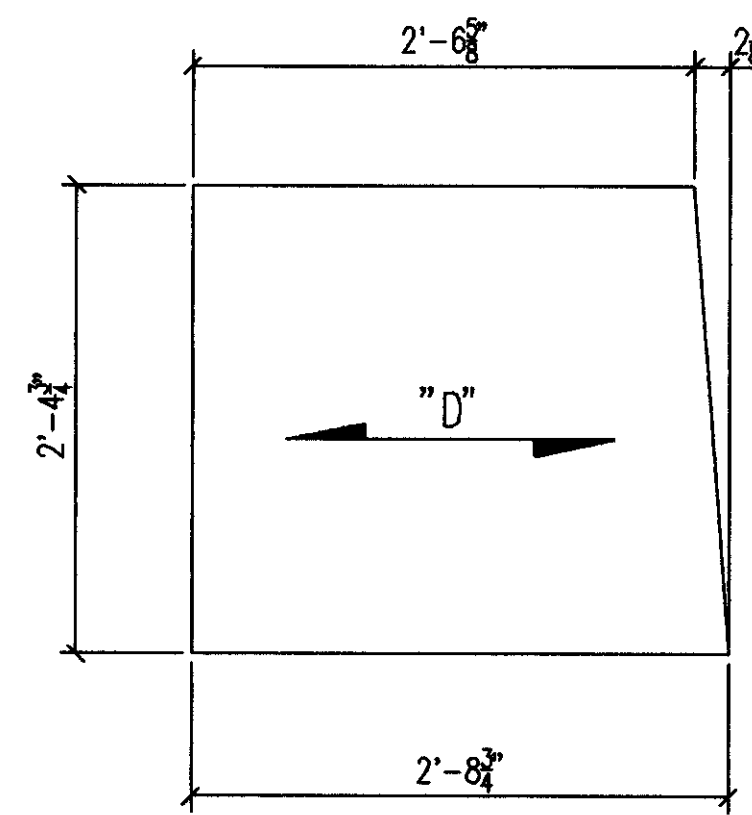
Cab # 206 D-2  
 Sheet # 560  
 Document # 34897

# BILL OF MATERIAL

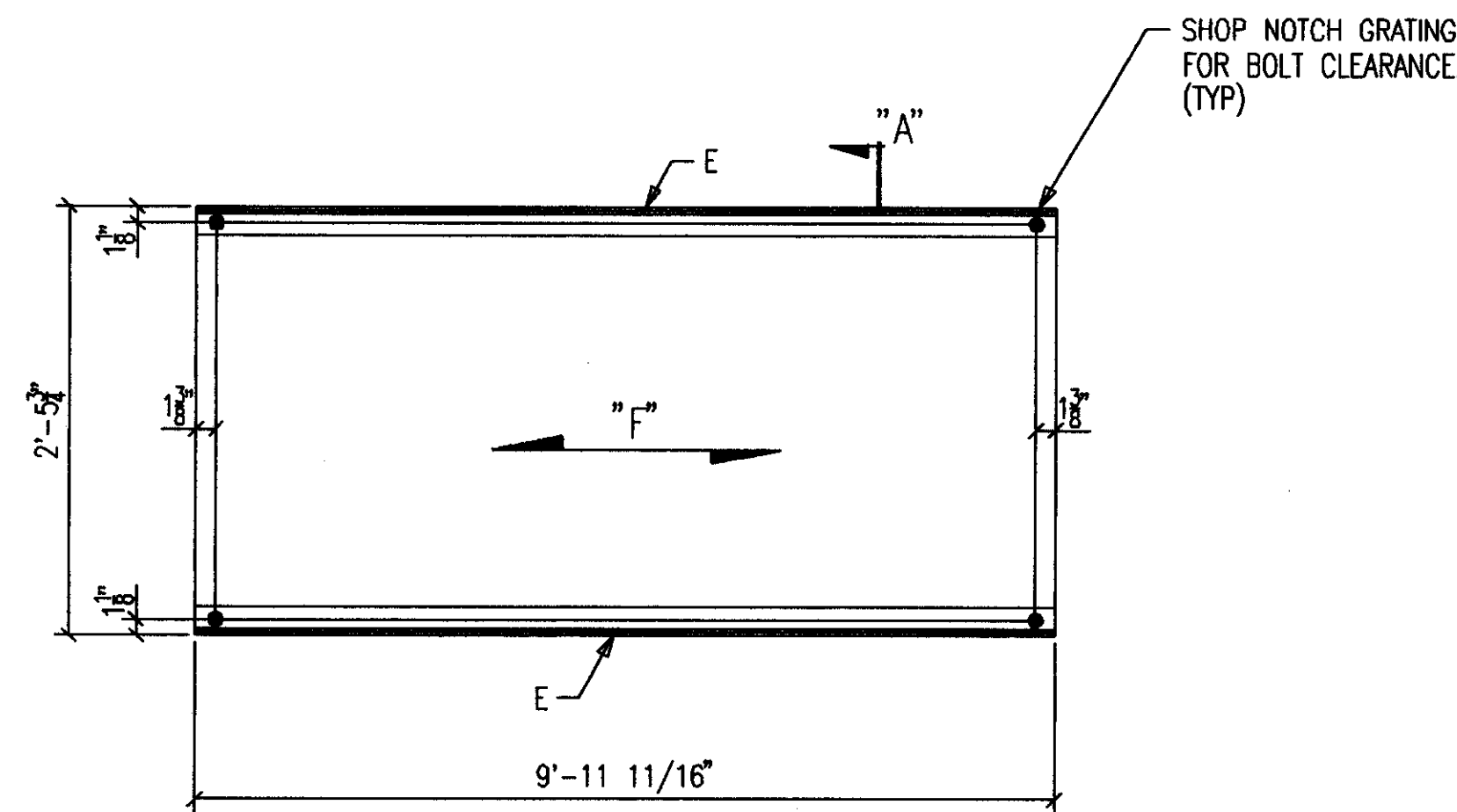
SHIP MARK SUB MARK	NO. PCS.	DESCRIPTION	LENGTH		C L T S T	REMARKS
			FT.	IN.		
ALL GRATING TO BE 1-1/2" X 3/16"						
PLAIN BEARING BARS @ 1-3/16" C/C						
W/TWISTED CROSSBARS @ 4" C/C ~ GALV.						
600GP1 L	ONE	GRATING				GALV
A600	1	L2X2X3/16	2	8-13/16		P/BC1E
B600	1	L2X2X3/16	2	6-5/8		P
D600	1	GP1-1/2X3/16				
		X 28-11/16	2	8-3/4		
600GP1 R	ONE	GRATING				GALV
A600	1	L2X2X3/16	2	8-13/16		P/BC1E
B600	1	L2X2X3/16	2	6-5/8		P
D600	1	GP1-1/2X3/16				
		X 28-11/16	2	8-3/4		
600GP2	2	GRATING				GALV
E600	4	L2X2X3/16	9	11-11/16		P
F600	2	GP1-1/2X3/16				
		X 28-11/16	9	11-3/4		
600GP3 L	ONE	GRATING				GALV
G600	1	L2X2X3/16	7	11-1/8		BENT
H600	1	L2X2X3/16	7	9-1/8		BENT
K600	1	GP1-1/2X3/16				
		X 28-11/16	1	7-3/8		
M600	1	GP1-1/2X3/16				
		X 28-11/16	6	3-5/8		
600GP3 R	ONE	GRATING				GALV
G600	1	L2X2X3/16	7	11-1/8		BENT
H600	1	L2X2X3/16	7	9-1/8		BENT
K600	1	GP1-1/2X3/16				
		X 28-11/16	1	7-3/8		
M600	1	GP1-1/2X3/16				
		X 28-11/16	6	3-5/8		
		FIELD BOLTS				
F1228AMG	25	A325 3/4X1-3/4 MG				MECH. GALV.



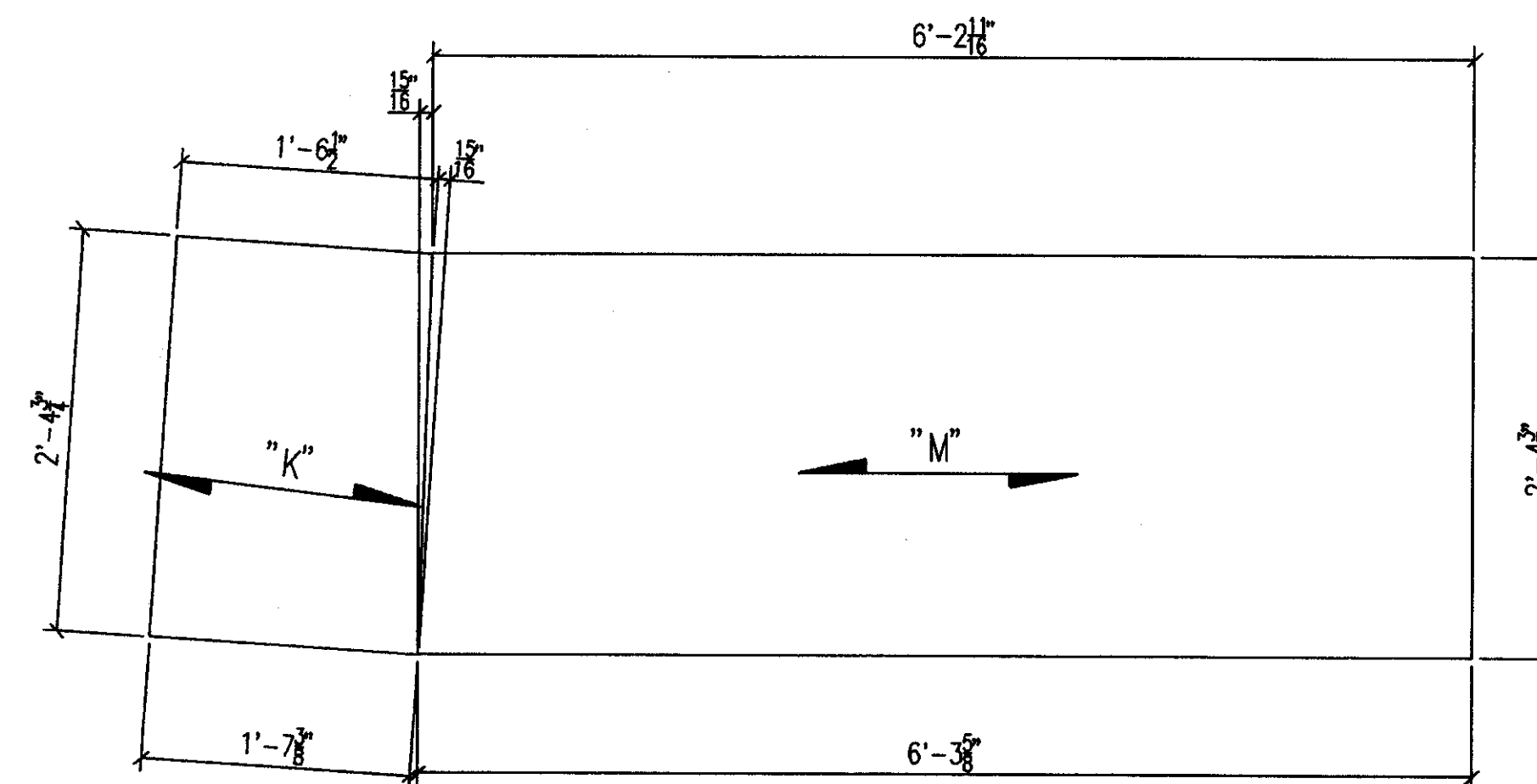
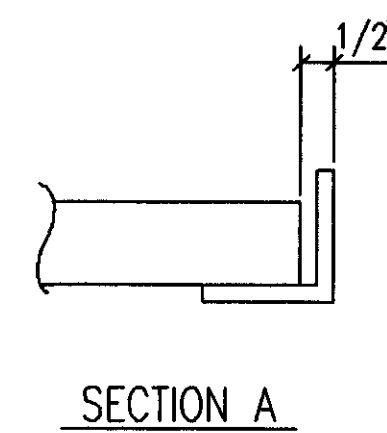
ONE-GRATING 600GP1 R [AS SHOWN]  
ONE-GRATING 600GP1 L [OPP HAND]  
8-A325 3/4 X 1 3/4 F1228AMG



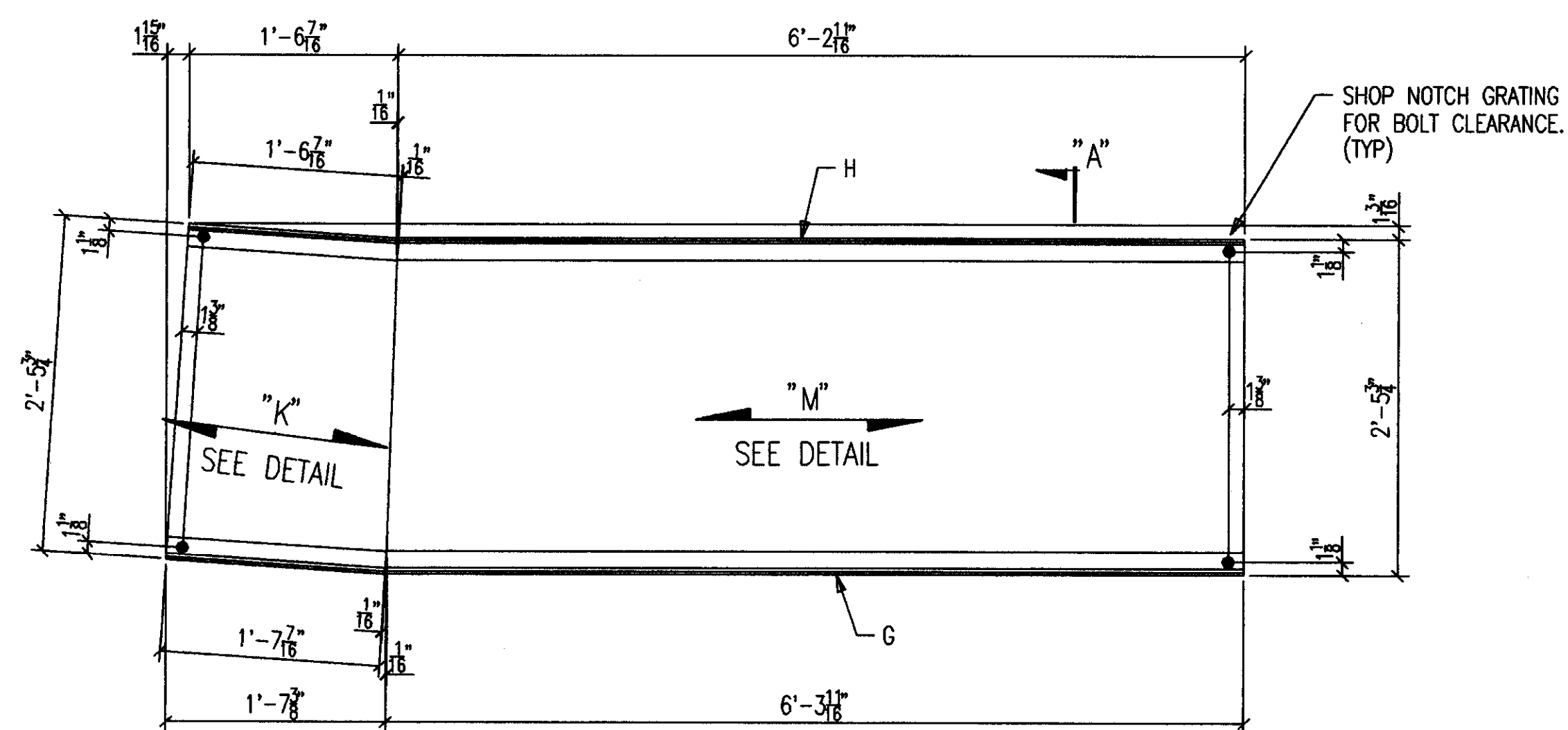
GRATING DETAIL FOR GP1 R/L



2-GRATINGS 600GP2  
8-A325 3/4 X 1 3/4 F1228AMG



GRATING DETAIL FOR GP3 R/L



ONE-GRATING 600GP3 R [AS SHOWN]  
ONE-GRATING 600GP3 L [OPP HAND]  
8-A325 3/4 X 1 3/4 F1228AMG

NOTE: DENOTES BEARING BAR DIRECTION

**AS BUILT**  
NAME: *Map Hughes*  
DATE: **AUG 16 1999**

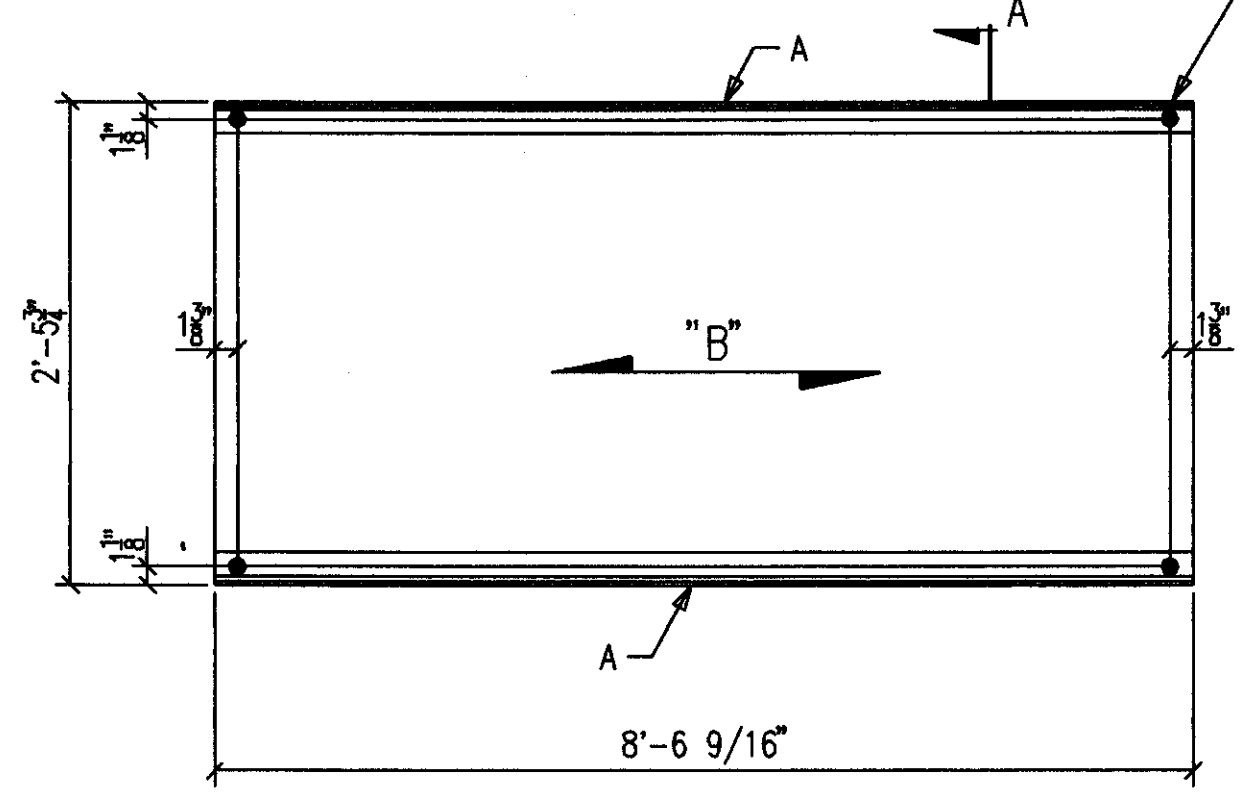
DATE	APP	SHOP	FIELD

NO.	DATE	REVISION DESCRIPTION	BY	CHKD
CONTRACTOR TO CHECK ALL DIMENSIONS AT JOB AND STATE'S STEEL PRODUCTS CO. ASSUMES NO RESPONSIBILITY FOR GENERAL BUILDING DIMENSIONS. NO BACK CHARGES PERTAINING TO THIS WORK WILL BE ACCEPTED WITHOUT PRIOR AUTHORIZATION BY MID STATES STEEL PRODUCTS CO.				
MATERIAL U/N	A36	DRAWN BY	SC	JOB NAME
OPEN HOLES U/N	13/16" Ø	DATE	3/99	COMMONWEALTH STADIUM EXPANSION
WELD ELECTRODE U/N	E70XX	CHECKED BY		JOB LOCATION
SHOP PAINT	SEE SPECS	DATE		UNIVERSITY OF KENTUCKY
ALL A307 BOLTS w/HEX NUT		ENGINEER	WALTER P. MOORE	CONTRACTOR
DRAWING TITLE		TURNER CONSTRUCTION COMPANY		
WINDOW WASHING FRAMES		WALTER P. MOORE		
2044 BUCK LANE LEXINGTON, KENTUCKY 40511 PHONE: 606-233-4344 FAX: 606-233-4346				ORDER NO.
MID STATES STEEL PRODUCTS CO. FABRICATORS OF STRUCTURAL AND MISCELLANEOUS STEEL				P3524
				SHEET NO.
				600

BILL OF MATERIAL

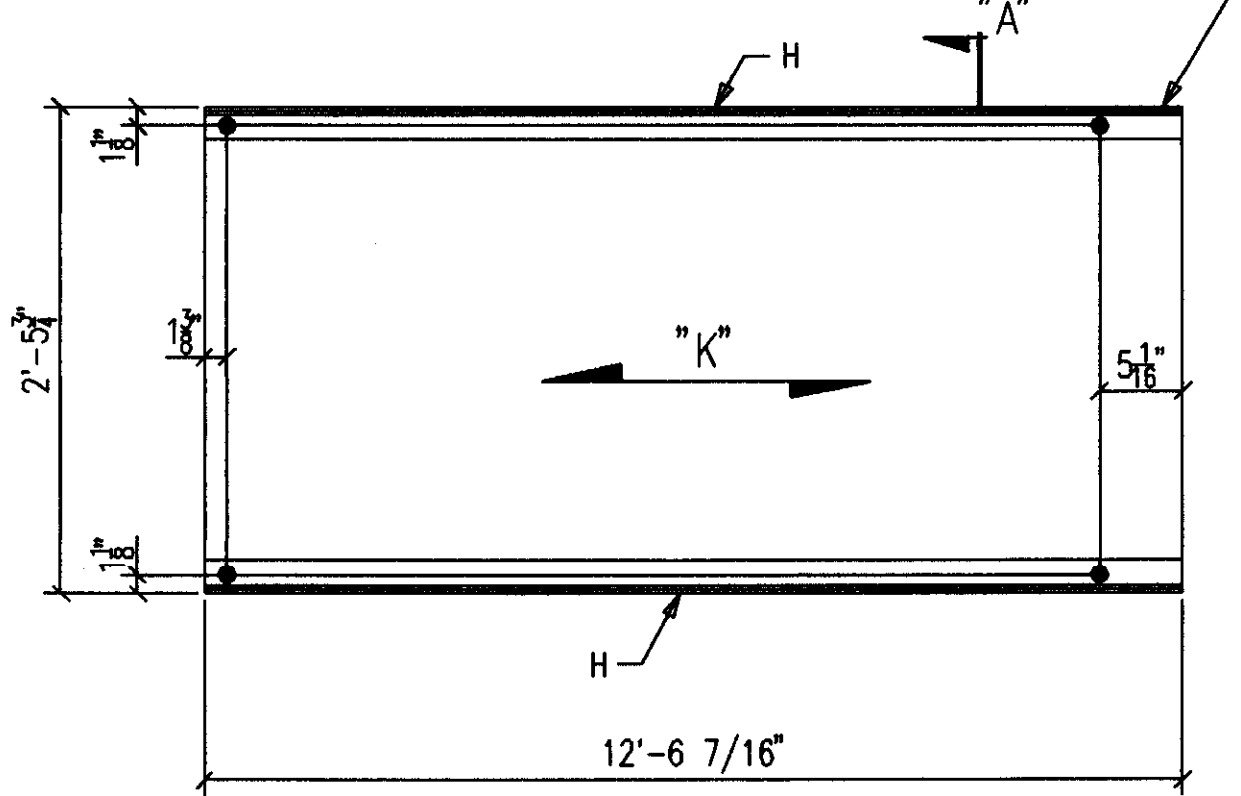
SHIP MARK SUB MARK	NO. PCS.	DESCRIPTION	LENGTH		CL T S T	REMARKS
			FT.	IN.		
ALL GRATING TO BE 1-1/2" X 3/16" PLAIN BEARING BARS @ 1-3/16" C/C W/TWISTED CROSSBARS @ 4" C/C ~ GALV.						
601GP1	2	GRATING				GALV
A601	4	L2X2X3/16	8	6-9/16		P
B601	2	GP1-1/2X3/16 X 28-11/16	8	6-9/16		
601GP2 L	ONE	GRATING				GALV
C601	1	L2X2X3/16	5	5-5/16		P/BC1E
D601	1	L2X2X3/16	3	4-3/8		P/BC2E
E601	1	L2X2X3/16	1	0-3/8		P/BC1E
F601	1	L2X2X3/16	3	3-9/16		P/BC1E
G601	1	GP1-1/2X3/16 X 39-3/4	5	7-13/16		
601GP2 R	ONE	GRATING				GALV
C601	1	L2X2X3/16	5	5-5/16		P/BC1E
D601	1	L2X2X3/16	3	4-3/8		P/BC2E
E601	1	L2X2X3/16	1	0-3/8		P/BC1E
F601	1	L2X2X3/16	3	3-9/16		P/BC1E
G601	1	GP1-1/2X3/16 X 39-3/4	5	7-13/16		
601GP3	2	GRATING				GALV
H601	4	L2X2X3/16	12	6-7/16		P
K601	2	GP1-1/2X3/16 X 28-11/16	12	6-7/16		
601GP4 L	ONE	GRATING				GALV
P601	1	L2X2X3/16	3	6-3/4		P
R601	1	L2X2X3/16	3	8-11/16		
S601	1	GP1-1/2X3/16 X 28-11/16	3	8-3/4		
601GP4 R	ONE	GRATING				GALV
P601	1	L2X2X3/16	3	6-3/4		P
R601	1	L2X2X3/16	3	8-11/16		
S601	1	GP1-1/2X3/16 X 28-11/16	3	8-3/4		
601RB1	2	BRACES				
601RB1	2	RB1/2	2	4-11/16		P
M601	4	FB3/8X2	0	6		
601RB2	2	BRACES				
601RB2	2	RB1/2	3	4-1/8		P
M601	4	FB3/8X2	0	6		
601RB3	2	BRACES				
601RB3	2	RB1/2	4	11-1/16		P
M601	4	FB3/8X2	0	6		
FIELD BOLTS						
F1228A	25	A325 3/4X1-3/4				
F1232A	19	A325 3/4X2				

SHOP NOTCH GRATING FOR BOLT CLEARANCE. (TYP)

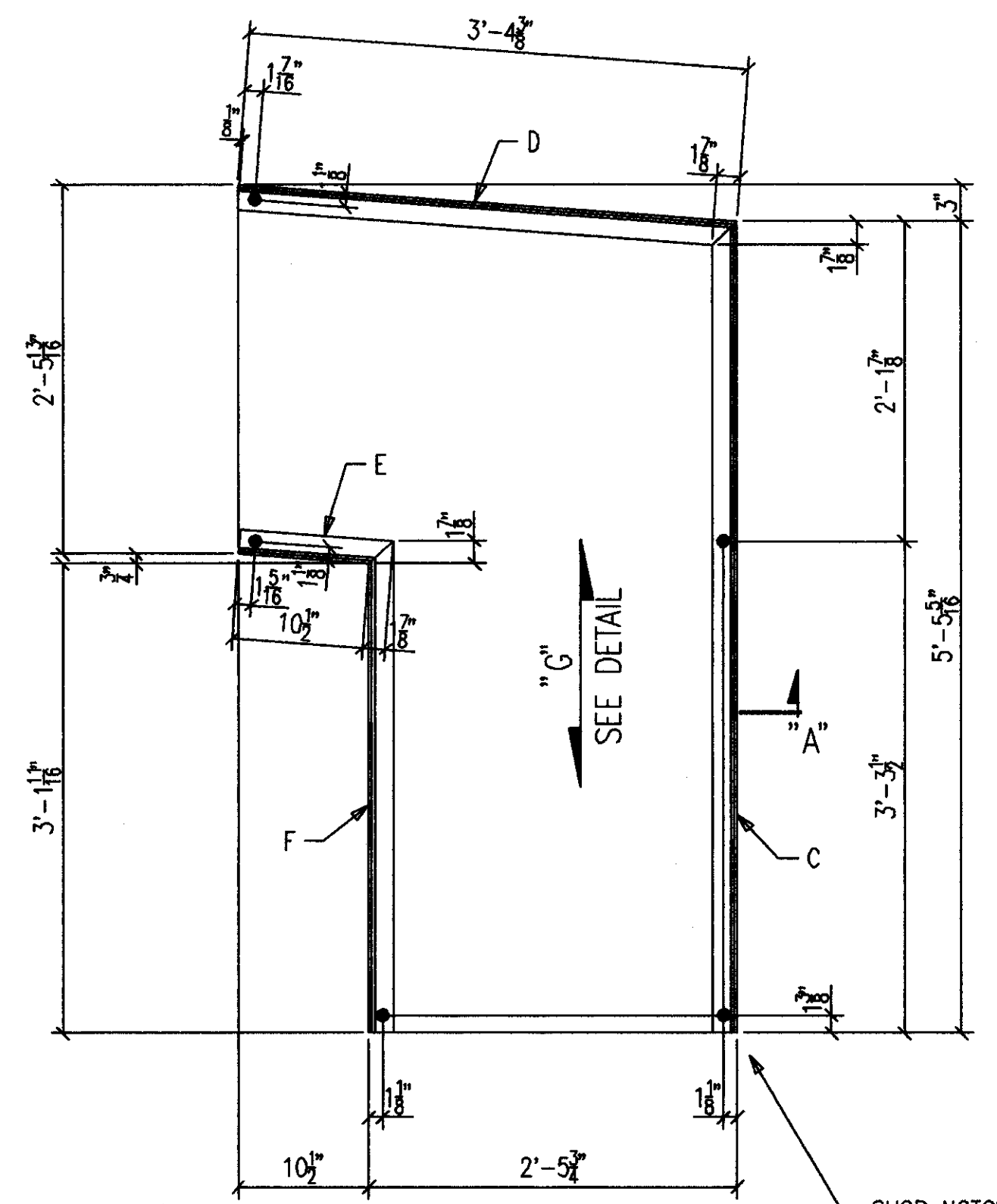


2-GRATING 601GP1  
8-A325 3/4 X 1 3/4 F1228AMG

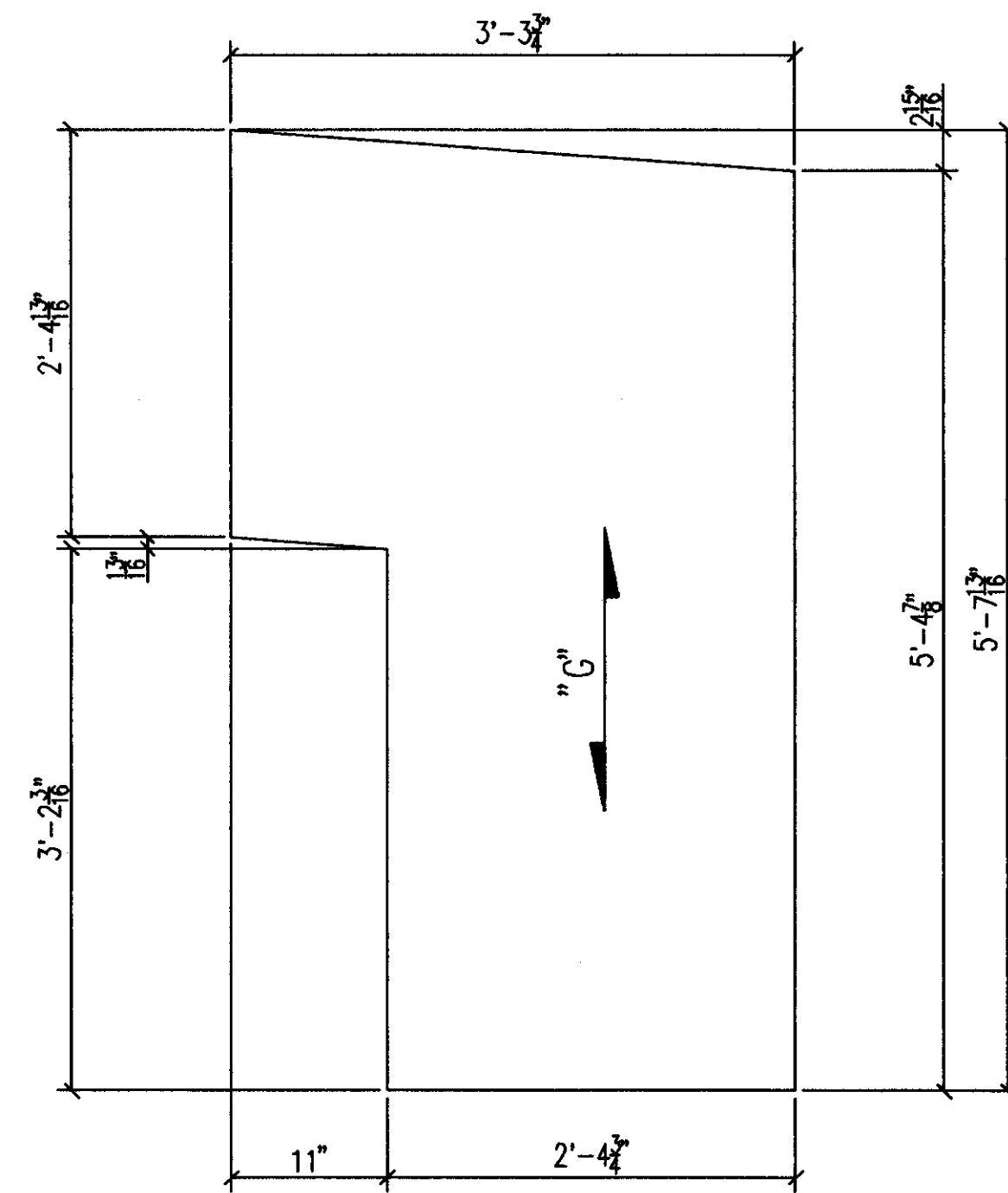
SHOP NOTCH GRATING FOR BOLT CLEARANCE. (TYP)



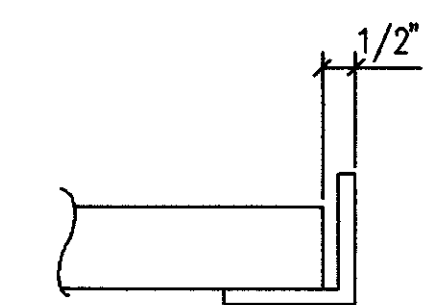
2-GRATING 601GP3  
8-A325 3/4 X 1 3/4 F1228AMG



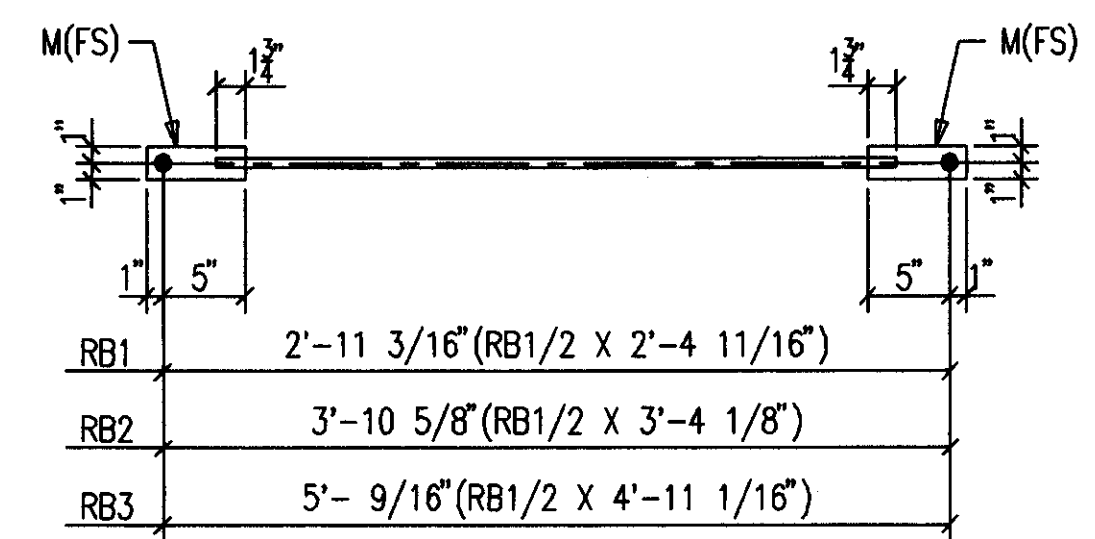
ONE-GRATING 601GP2 R [AS SHOWN]  
ONE-GRATING 601GP2 L [OPP HAND]  
8-A325 3/4 X 1 3/4 F1228AMG



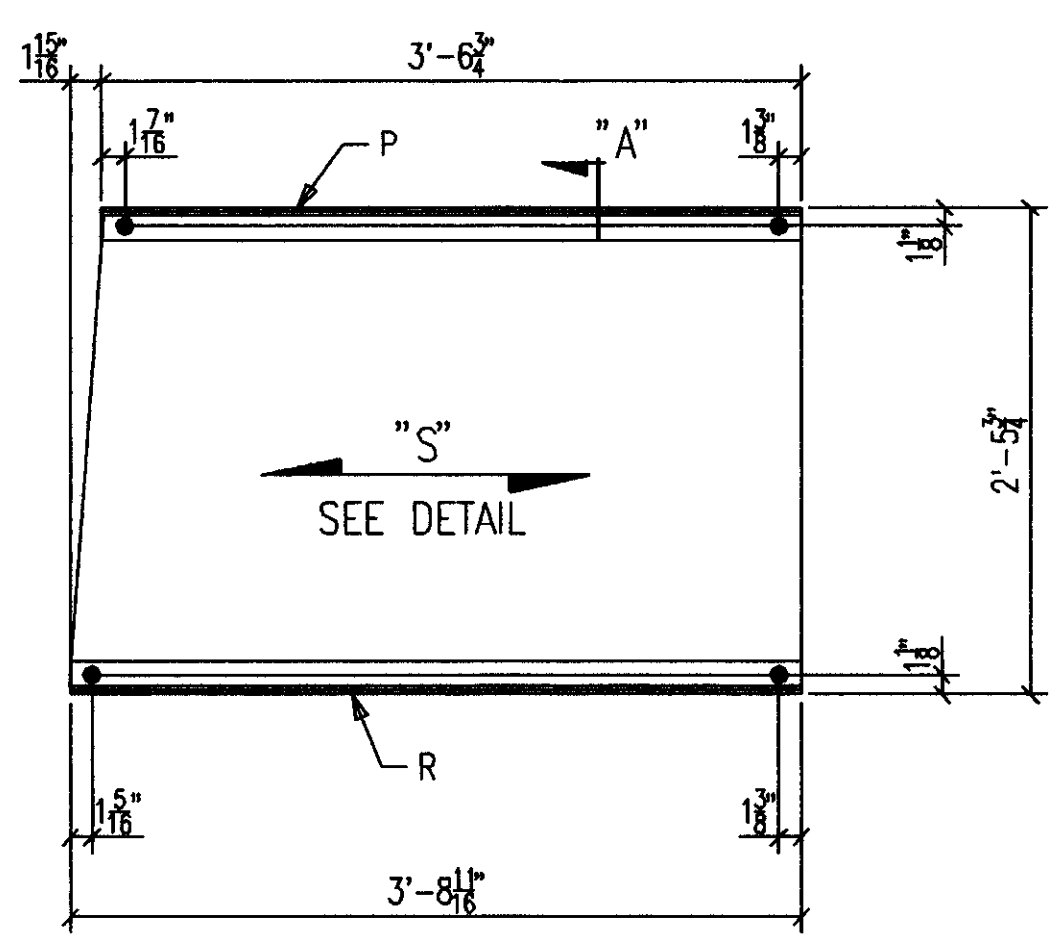
GRATING DETAIL FOR GP2 R/L



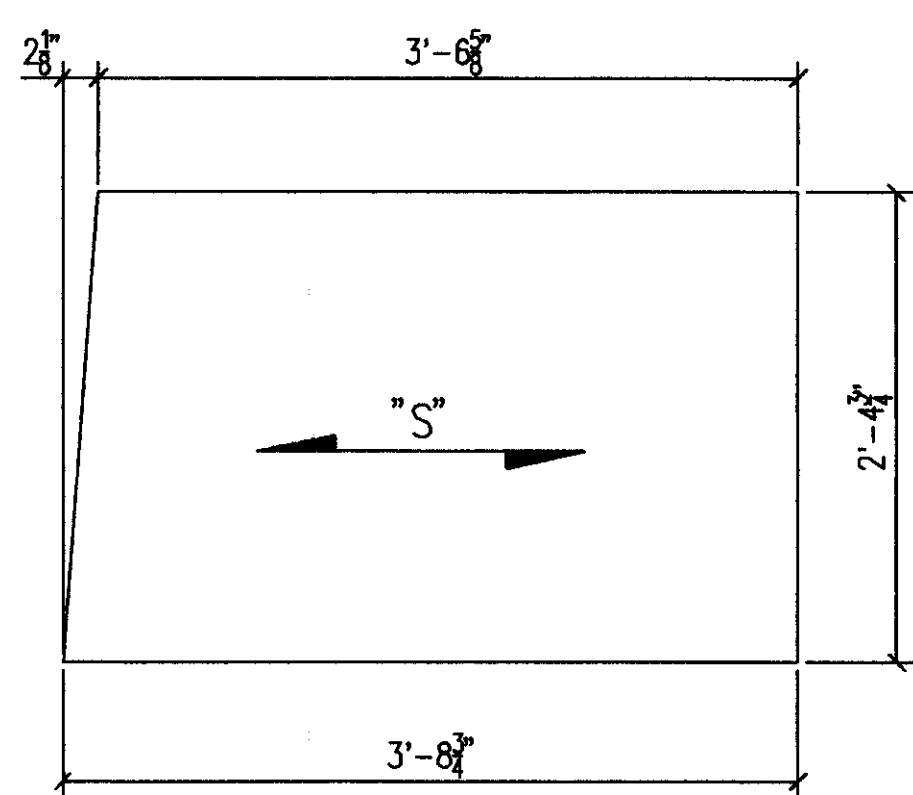
SECTION A



2-BRACES 601RB1  
2-BRACES 601RB2  
2-BRACES 601RB3  
18-A325 3/4 X 2 F1232A



ONE-GRATING 601GP4 R [AS SHOWN]  
ONE-GRATING 601GP4 L [OPP HAND]  
8-A325 3/4 X 1 3/4 F1228AMG



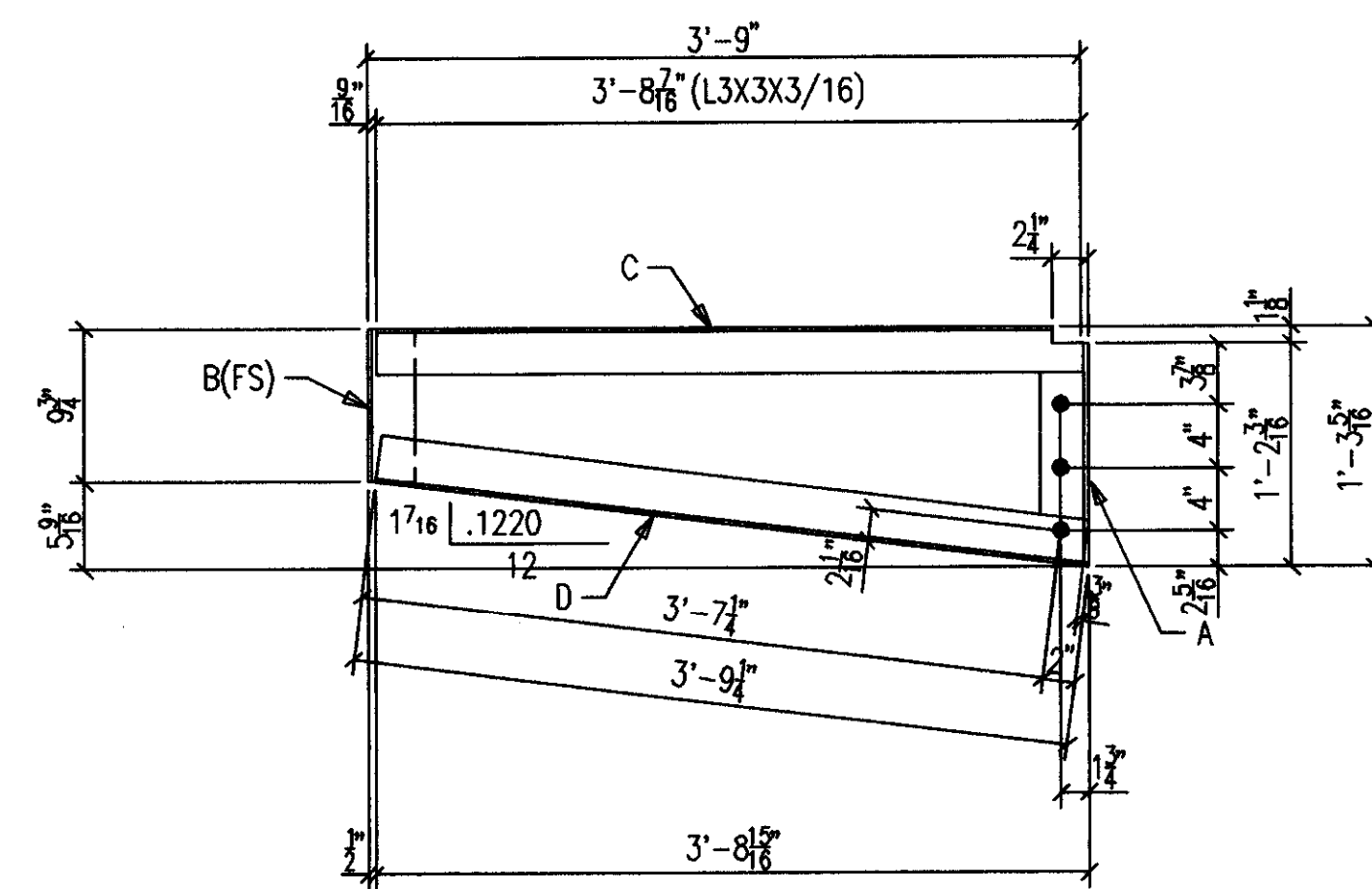
GRATING DETAIL FOR GP4

AS BUILT  
NAME: *Max Hughes*  
DATE: **AUG 16 1999**

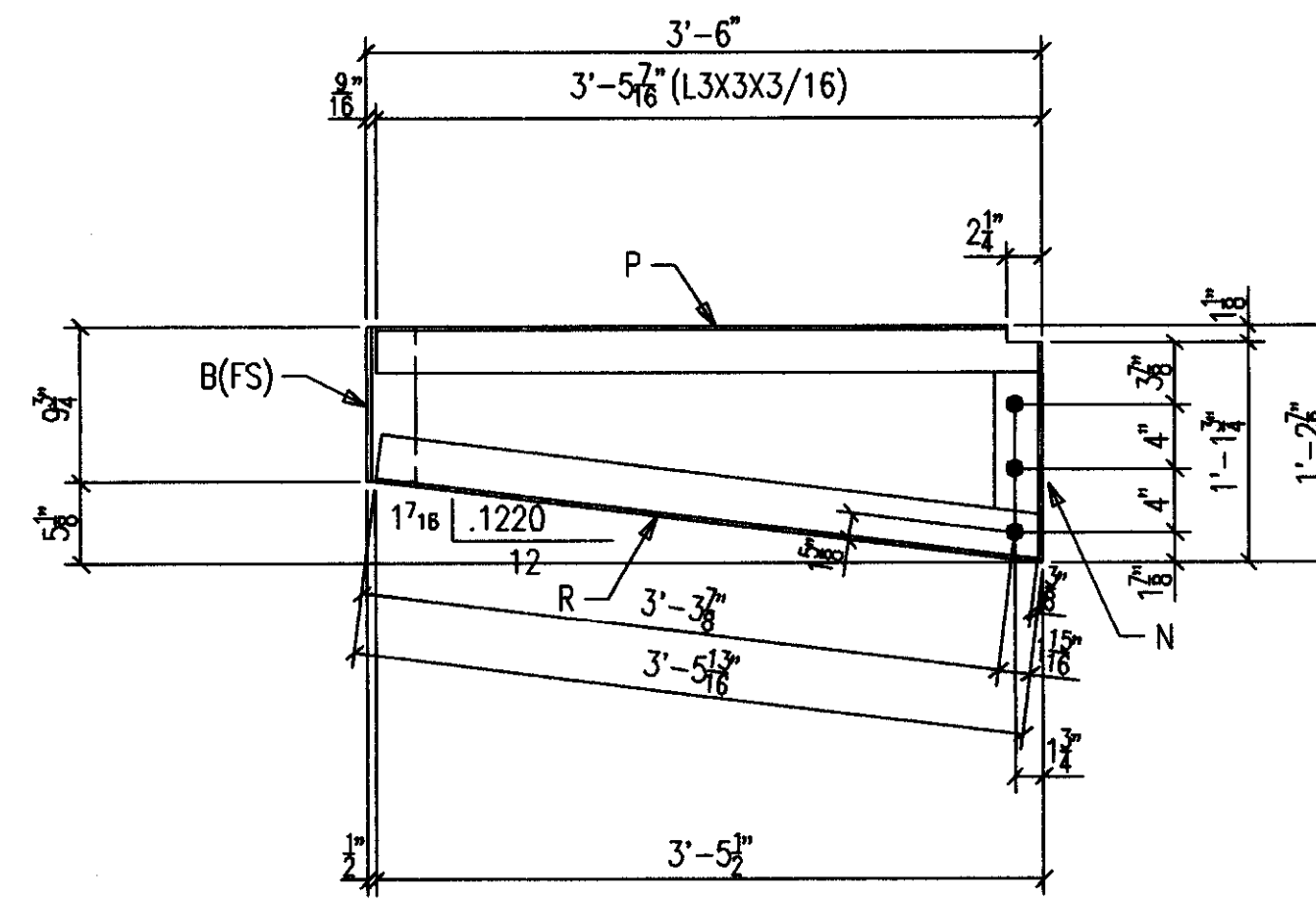
NOTE:  
← DENOTES BEARING BAR DIRECTION

ALL RE-ENTRANT CUTS MIN. 1/2" RAD. U/N	WELD ELECTRODE U/N E70XX	CHECKED BY	CONTRACTOR
ALL A325 BOLTS w/ONE HARD WASH. AND HVY HEX NUT	SHOP PAINT SEE SPECS	DATE	ENGINEER
ALL A307 BOLTS w/HEX NUT	DRAWING TITLE WINDOW WASHING FRAMES		
DATE	APP	SHOP	FIELD
2044 BUCK LANE LEXINGTON, KENTUCKY 40511 PHONE: 606-233-4344 FAX: 606-233-4346 <b>MID STATES STEEL PRODUCTS CO.</b> FABRICATORS OF STRUCTURAL AND MISCELLANEOUS STEEL			ORDER NO. <b>P3524</b> SHEET NO. <b>601</b>

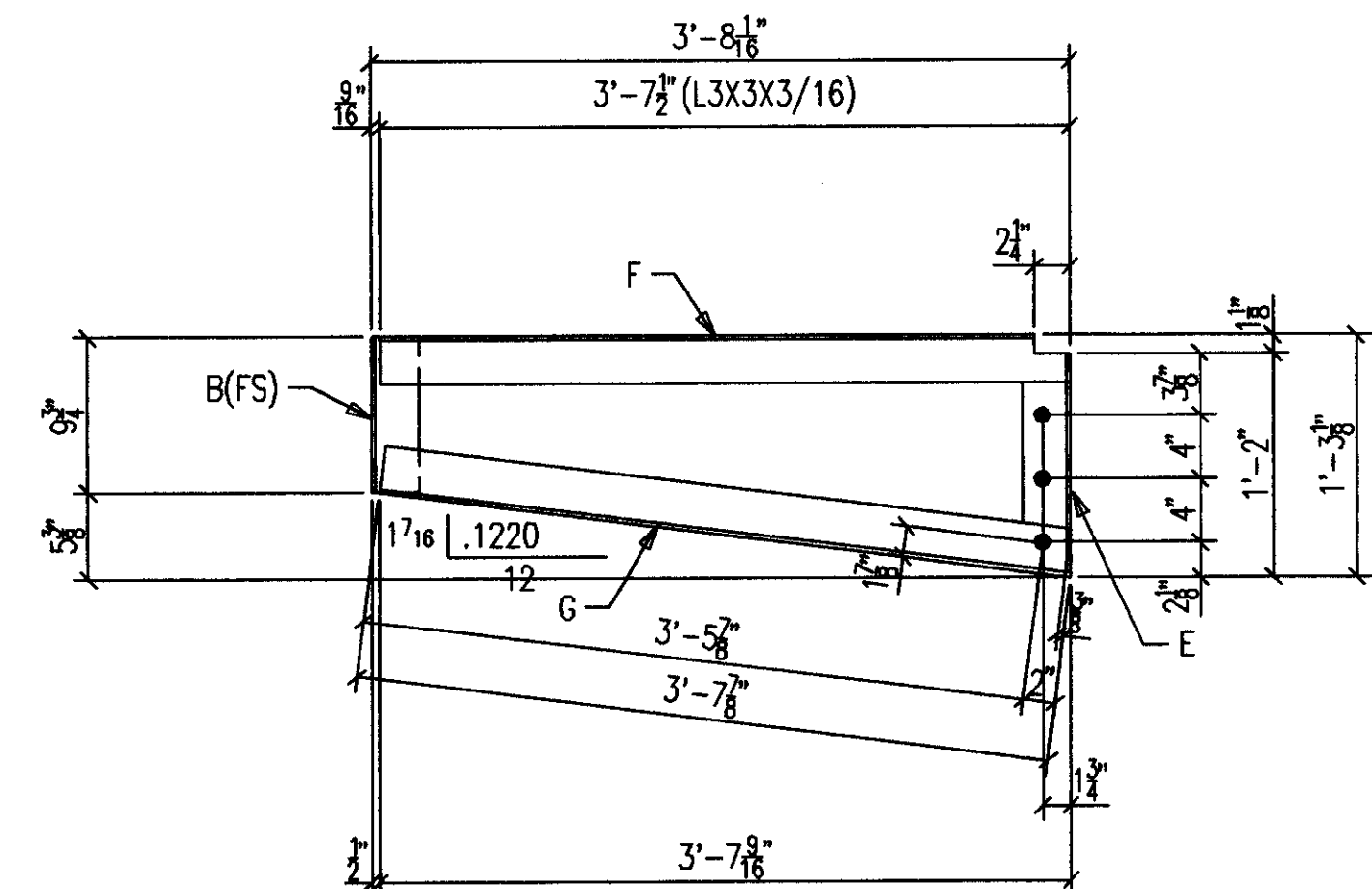
Doc # 34889  
206 D-2



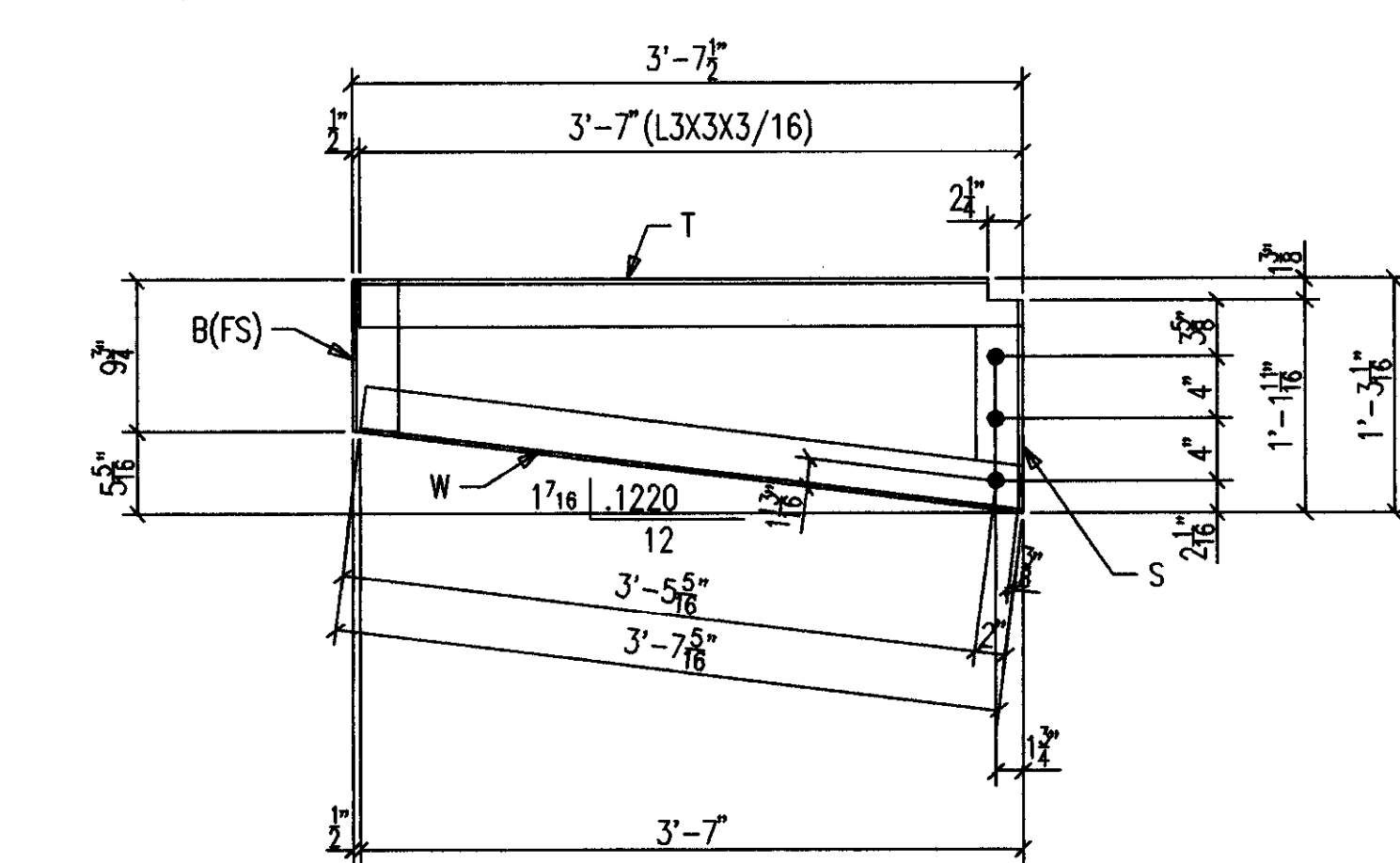
4-WALKWAY CANOPY FRAMES 602M1  
12-A325 3/4 X 1 3/4 F1228A



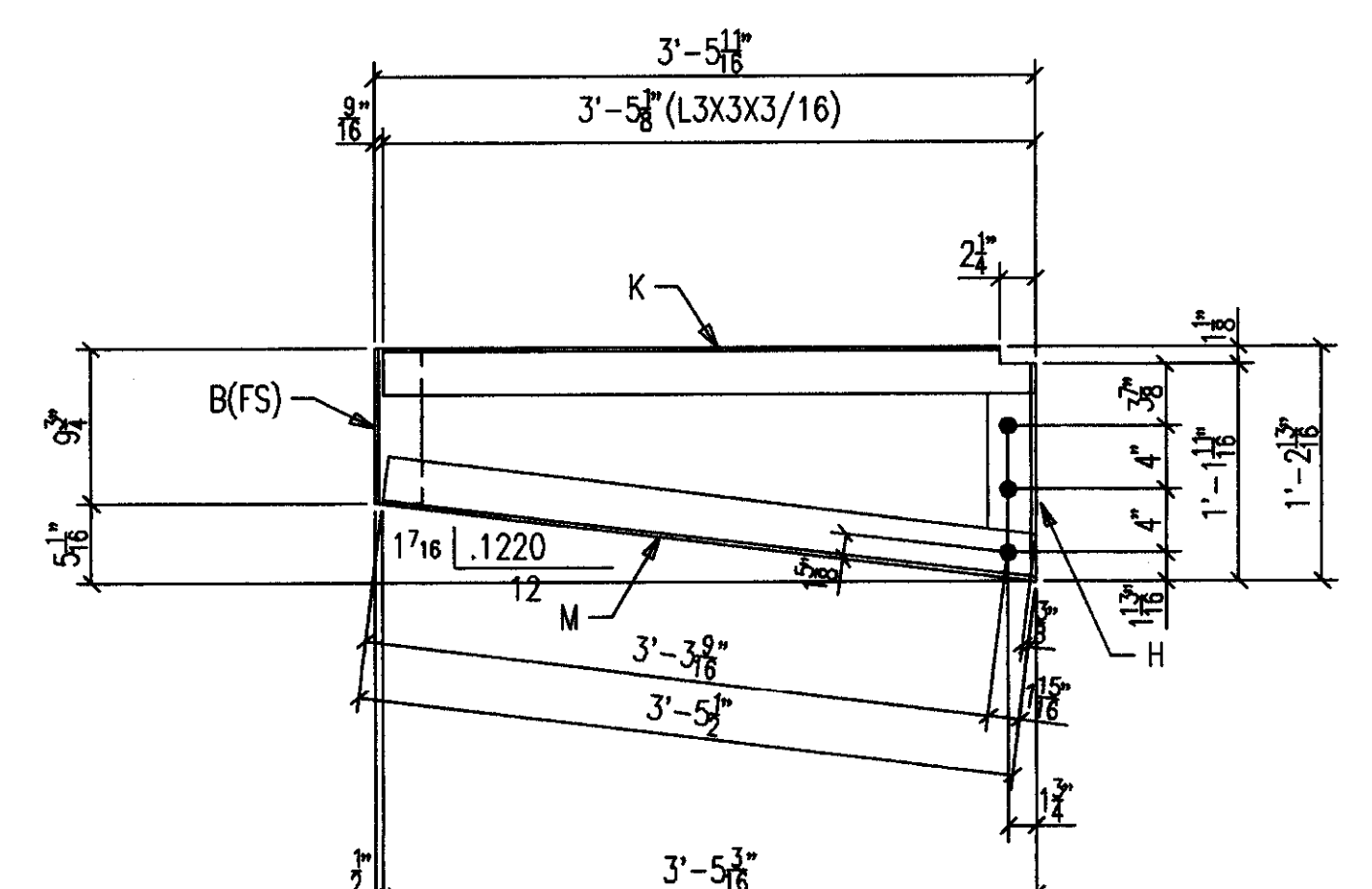
2-WALKWAY CANOPY FRAMES 602M4  
6-A325 3/4 X 1 3/4 F1228A



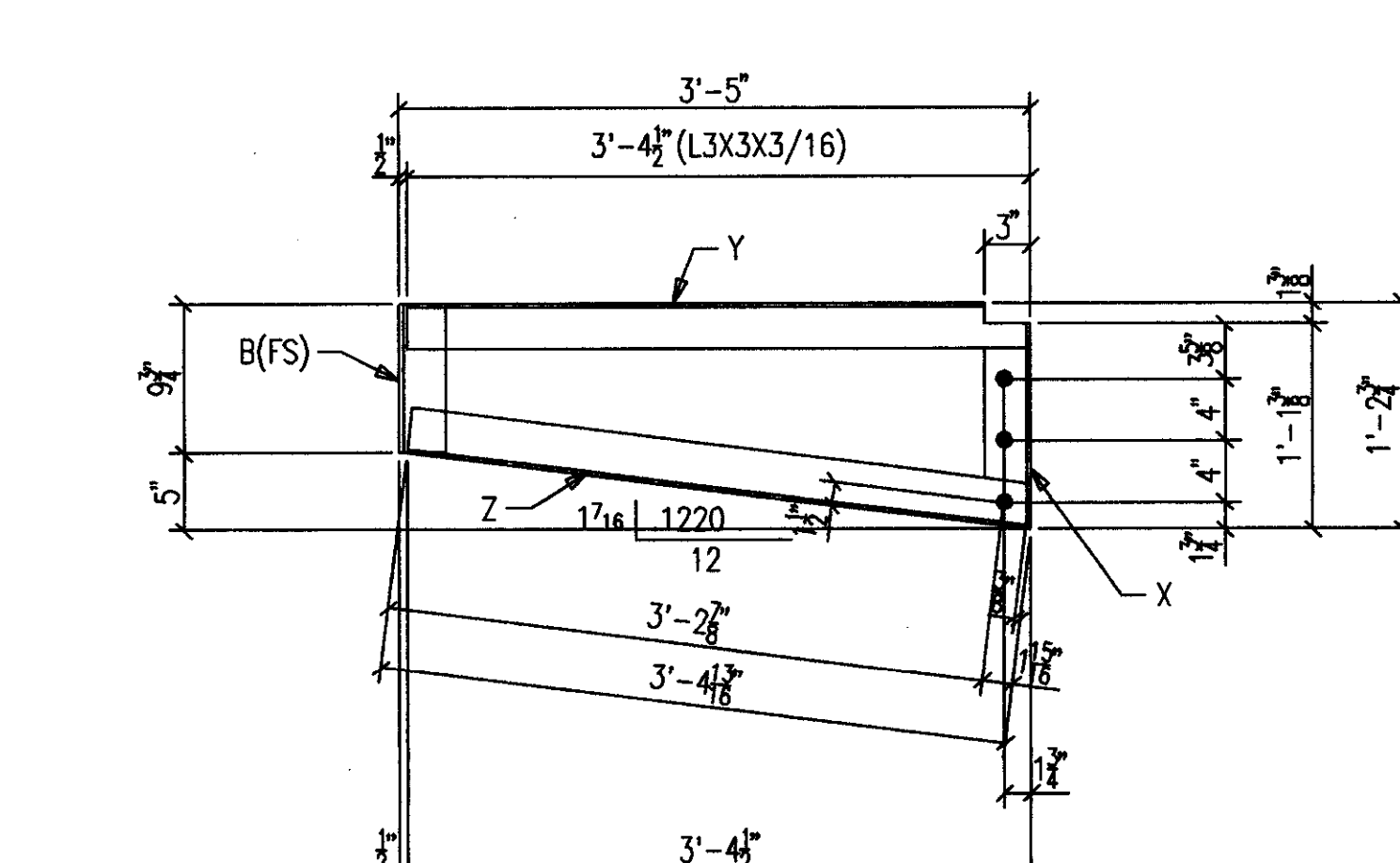
2-WALKWAY CANOPY FRAMES 602M2  
6-A325 3/4 X 1 3/4 F1228A



2-WALKWAY CANOPY FRAMES 602M5  
6-A325 3/4 X 1 3/4 F1228A



2-WALKWAY CANOPY FRAMES 602M3  
6-A325 3/4 X 1 3/4 F1228A



8-WALKWAY CANOPY FRAMES 602M6  
24-A325 3/4 X 1 3/4 F1228A

BILL OF MATERIAL

SHIP MARK SUB MARK	NO. PCS.	DESCRIPTION	LENGTH		CL UST T	REMARKS
			FT.	IN.		
602M1	4	WLKWY CANOPY FRAMES				
A602	4	L3X3X3/16	1	2-3/16		P/CTF
B602	4	L3X3X3/16	0	9-3/4		
C602	4	L3X3X3/16	3	8-7/16		
D602	4	L3X3X3/16	3	9-1/4		P/BC1E
602M2	2	WLKWY CANOPY FRAMES				
B602	2	L3X3X3/16	0	9-3/4		
E602	2	L3X3X3/16	1	2		P/CTF
F602	2	L3X3X3/16	3	7-1/2		
G602	2	L3X3X3/16	3	7-7/8		P/BC1E
602M3	2	WLKWY CANOPY FRAMES				
B602	2	L3X3X3/16	0	9-3/4		
H602	2	L3X3X3/16	1	1-11/16		P/CTF
K602	2	L3X3X3/16	3	5-1/8		
M602	2	L3X3X3/16	3	5-1/2		P/BC1E
602M4	2	WLKWY CANOPY FRAMES				
B602	2	L3X3X3/16	0	9-3/4		
N602	2	L3X3X3/16	1	1-3/4		P/CTF
P602	2	L3X3X3/16	3	5-7/16		
R602	2	L3X3X3/16	3	5-13/16		P/BC1E
602M5	2	WLKWY CANOPY FRAMES				
B602	2	L3X3X3/16	0	9-3/4		
S602	2	L3X3X3/16	1	1-11/16		P/CTF
T602	2	L3X3X3/16	3	7		
W602	2	L3X3X3/16	3	7-5/16		P/BC1E
602M6	8	WLKWY CANOPY FRAMES				
B602	8	L3X3X3/16	0	9-3/4		
X602	8	L3X3X3/16	1	1-3/8		P/CTF
Y602	8	L3X3X3/16	3	4-1/2		
Z602	8	L3X3X3/16	3	4-13/16		P/BC1E
		FIELD BOLTS				
F1228A	61	A325 3/4X1-3/4				

AS BUILT  
NAME: *Map Hughes*  
DATE: **AUG 16 1999**

DATE	APP	SHOP	FIELD

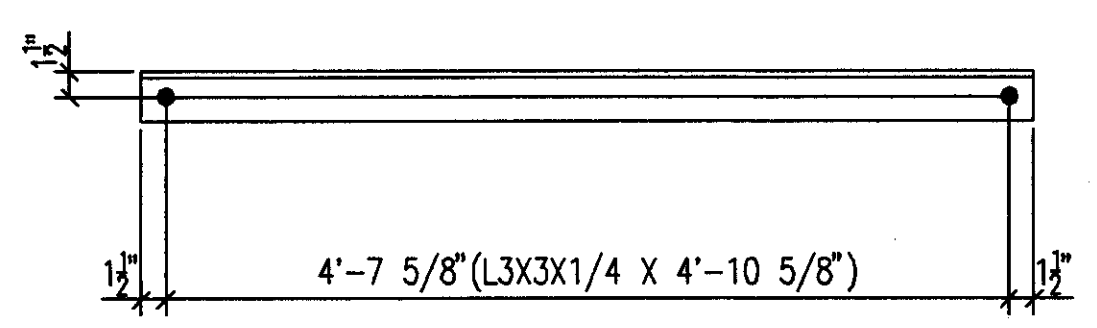
NO.		DATE		REVISION DESCRIPTION		OWN	QTD
CONTRACTOR TO CHECK ALL DIMENSIONS AT JOB AS MID STATES STEEL PRODUCTS CO. ASSUMES NO RESPONSIBILITY FOR GENERAL BUILDING DIMENSIONS. NO BACK CHARGES PERTAINING TO THIS WORK WILL BE ACCEPTED WITHOUT PRIOR AUTHORIZATION BY MID STATES STEEL PRODUCTS CO.							
MATERIAL U/M	A36	DRAWN BY	SC	JOB NAME	COMMONWEALTH STADIUM EXPANSION		
OPEN HOLES U/M	13/16" Ø	DATE	3/99	JOB LOCATION	UNIVERSITY OF KENTUCKY		
WELD ELECTRODE U/M	E70XX	CHECKED BY		CONTRACTOR	TURNER CONSTRUCTION COMPANY		
SHOP PAINT	SEE SPECS	DATE		ENGINEER	WALTER P. MOORE		
ALL A307 BOLTS w/HEX NUT							
DRAWING TITLE WINDOW WASHING CANOPY FRAMES							
2044 BUCK LANE LEXINGTON, KENTUCKY 40511 PHONE: 606-233-4344 FAX: 606-233-4346						ORDER NO.	P3524
FABRICATORS OF STRUCTURAL AND MISCELLANEOUS STEEL						SHEET NO.	602



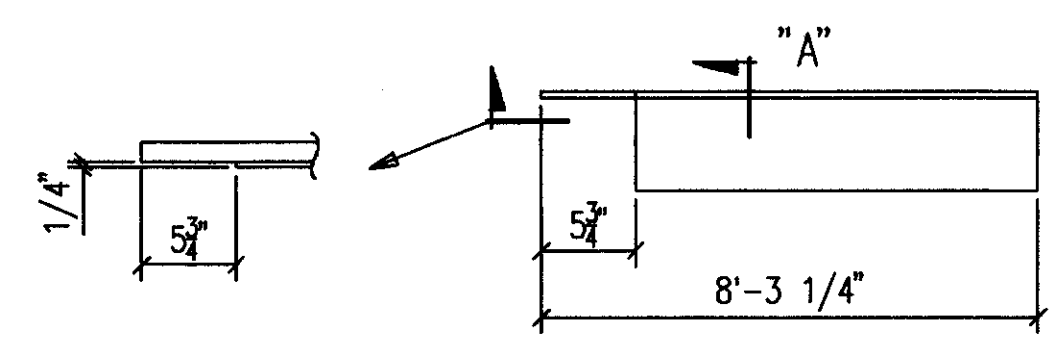
603

BILL OF MATERIAL

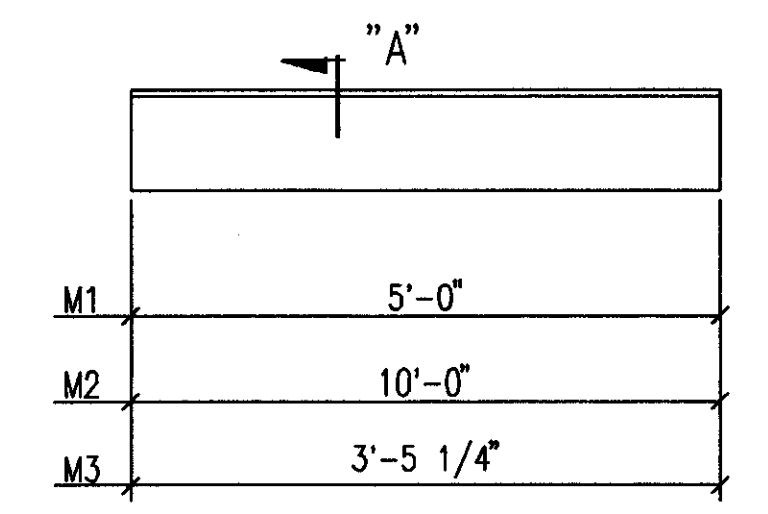
SHIP MARK SUB MARK	NO. PCS.	DESCRIPTION	LENGTH		CUT LIST	REMARKS
			FT.	IN.		
603D1	12	CANOPY BRACES				
603D1	12	L3X3X1/4	4	10-5/8		P
603M1	6	ROOF CURB PLATES				
603M1	6	PL1/4X7	5	0		BENT
603M2	4	ROOF CURB PLATES				
603M2	4	PL1/4X7	10	0		BENT
603M3	4	ROOF CURB PLATES				
603M3	4	PL1/4X7	3	5-1/4		BENT
603M4 L	ONE	ROOF CURB PLATE				
603M4	1	PL1/4X7	8	3-1/4		BENT
603M4 R	ONE	ROOF CURB PLATE				
603M4	1	PL1/4X7	8	3-1/4		BENT
603M5 L	ONE	ROOF CURB PLATE				
603M5	1	PL1/4X7	10	0		BENT
603M5 R	ONE	ROOF CURB PLATE				
603M5	1	PL1/4X7	10	0		BENT
		FIELD BOLTS				
F1228A	25	A325 3/4X1-3/4				



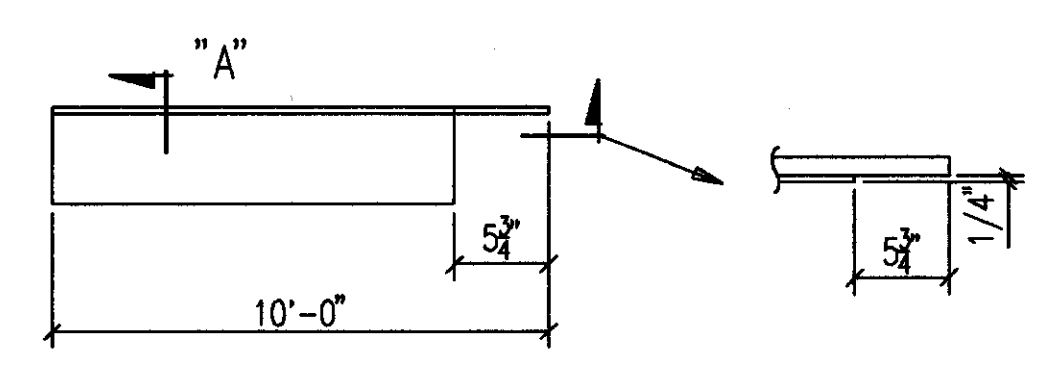
12-CANOPY BRACES 603D1  
24-A325 3/4 X 1 1/4 F1228A



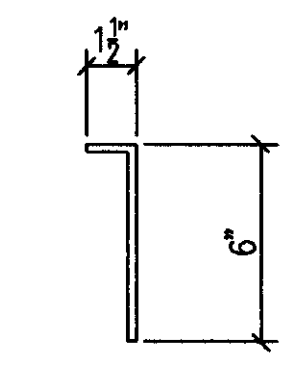
ONE-ROOF CURB PLATE 603M4 R [AS SHOWN]  
ONE-ROOF CURB PLATE 603M4 L [OPP HAND]



6-ROOF CURB PLATES 603M1  
4-ROOF CURB PLATES 603M2  
4-ROOF CURB PLATES 603M3



ONE-ROOF CURB PLATE 603M5 R [AS SHOWN]  
ONE-ROOF CURB PLATE 603M5 L [OPP HAND]



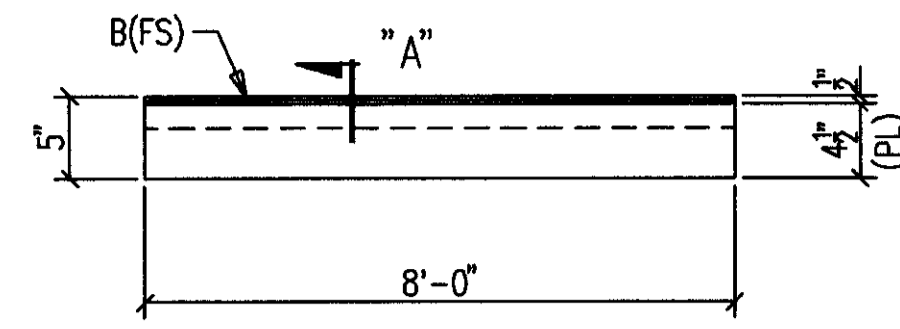
SECTION A

**AS BUILT**  
NAME: *Max Hengler*  
DATE: **AUG 16 1999**

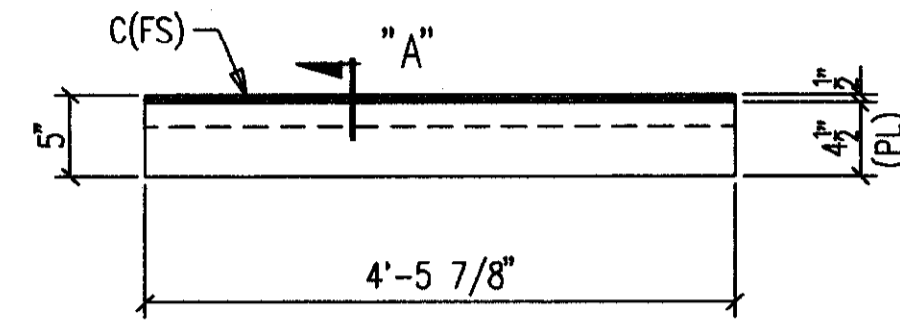
DATE	APP	SHOP	FIELD

NO. DATE		REVISION DESCRIPTION		OWN	LOCK
CONTRACTOR TO CHECK ALL DIMENSIONS AT JOB AS MID STATES STEEL PRODUCTS CO. ASSUMES NO RESPONSIBILITY FOR GENERAL BUILDING DIMENSIONS. NO BACK CHARGES PERTAINING TO THIS WORK WILL BE ACCEPTED WITHOUT PRIOR AUTHORIZATION BY MID STATES STEEL PRODUCTS CO.					
MATERIAL U/N A36	DRAWN BY SC	JOB NAME COMMONWEALTH STADIUM EXPANSION			
OPEN HOLES U/N 13/16" Ø	DATE 3/99	JOB LOCATION UNIVERSITY OF KENTUCKY			
WELD ELECTRODE U/N E70XX	CHECKED BY	CONTRACTOR TURNER CONSTRUCTION COMPANY			
SHOP PAINT SEE SPECS	DATE	ENGINEER WALTER P. MOORE			
DRAWING TITLE WINDOW WASHING CANOPY FRAMES					
2044 BUCK LANE LEXINGTON, KENTUCKY 40511 PHONE: 606-235-4344 FAX: 606-233-4346				ORDER NO. P3524	
MID STATES STEEL PRODUCTS CO. FABRICATORS OF STRUCTURAL AND MISCELLANEOUS STEEL				SHEET NO. 603	

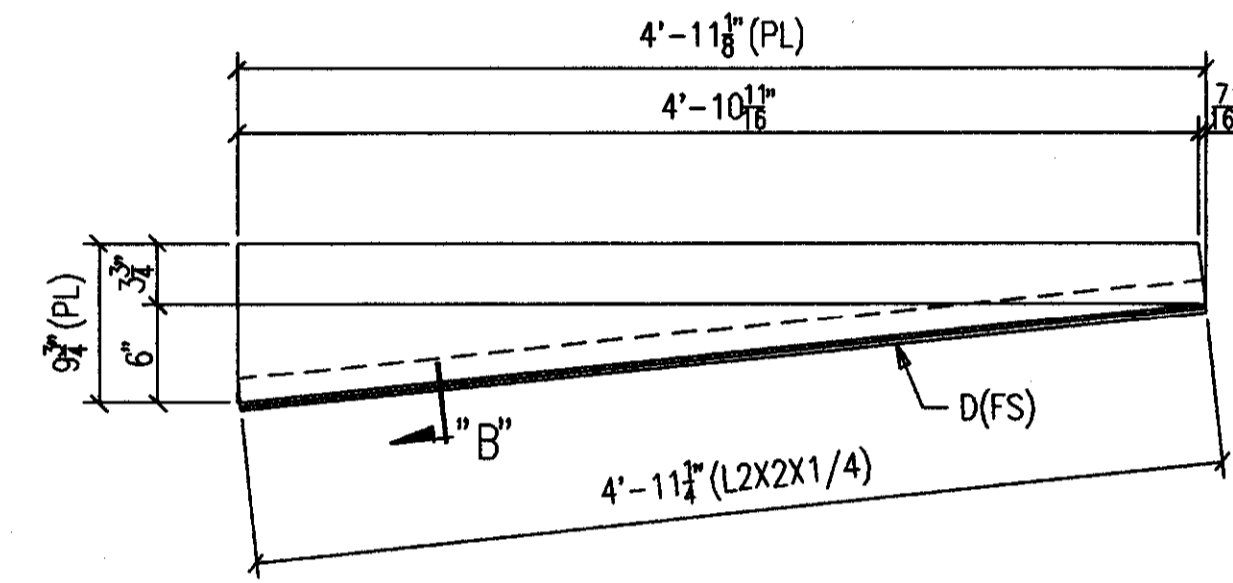
Doc # 34891  
Cab # 205  
Slot B-4



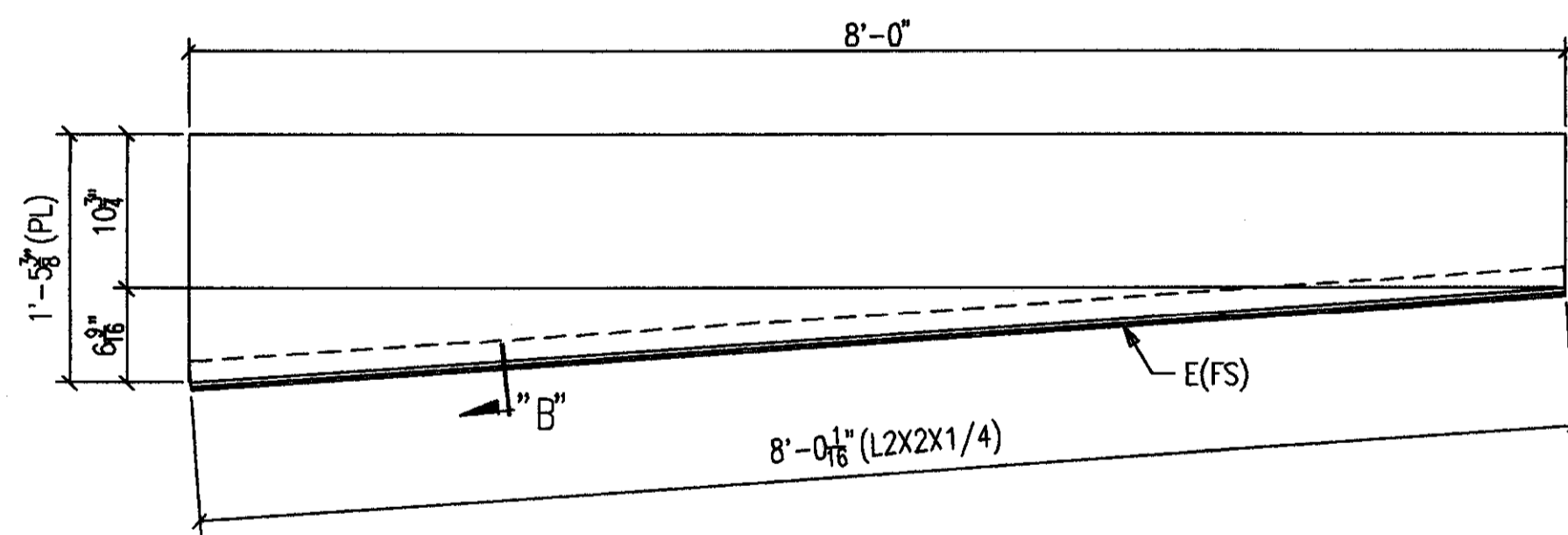
6-ROOF CURB PLATES 604M1



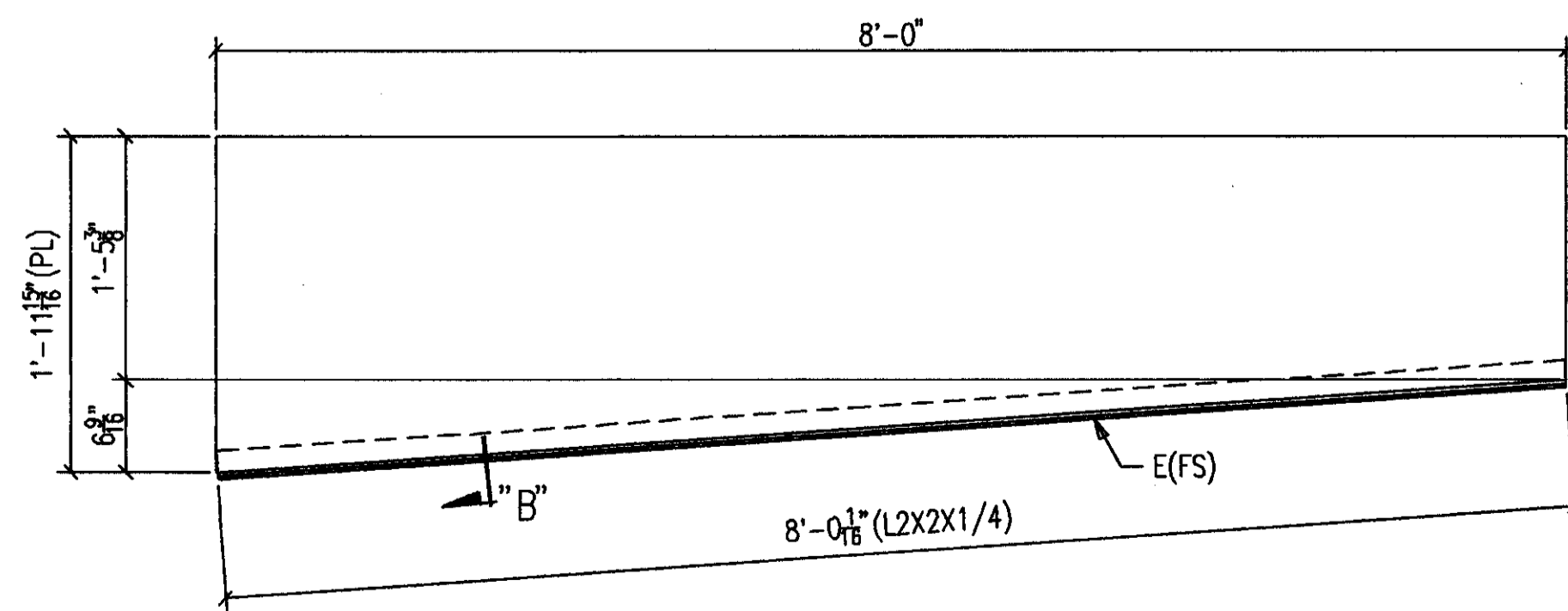
2-ROOF CURB PLATES 604M2



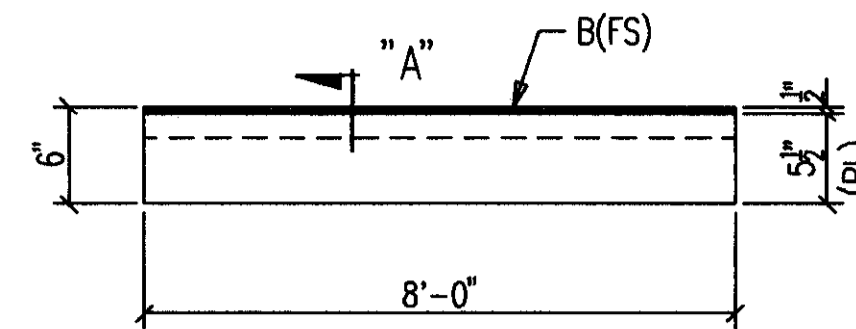
ONE-ROOF CURB PLATE 604M3 R [AS SHOWN]  
ONE-ROOF CURB PLATE 604M3 L [OPP HAND]



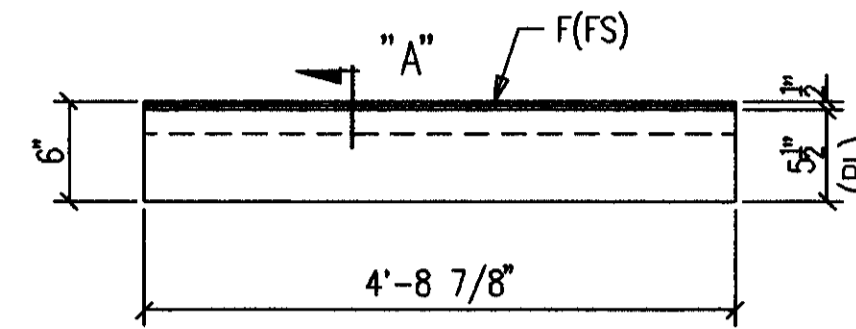
ONE-ROOF CURB PLATE 604M4 R [AS SHOWN]  
ONE-ROOF CURB PLATE 604M4 L [OPP HAND]



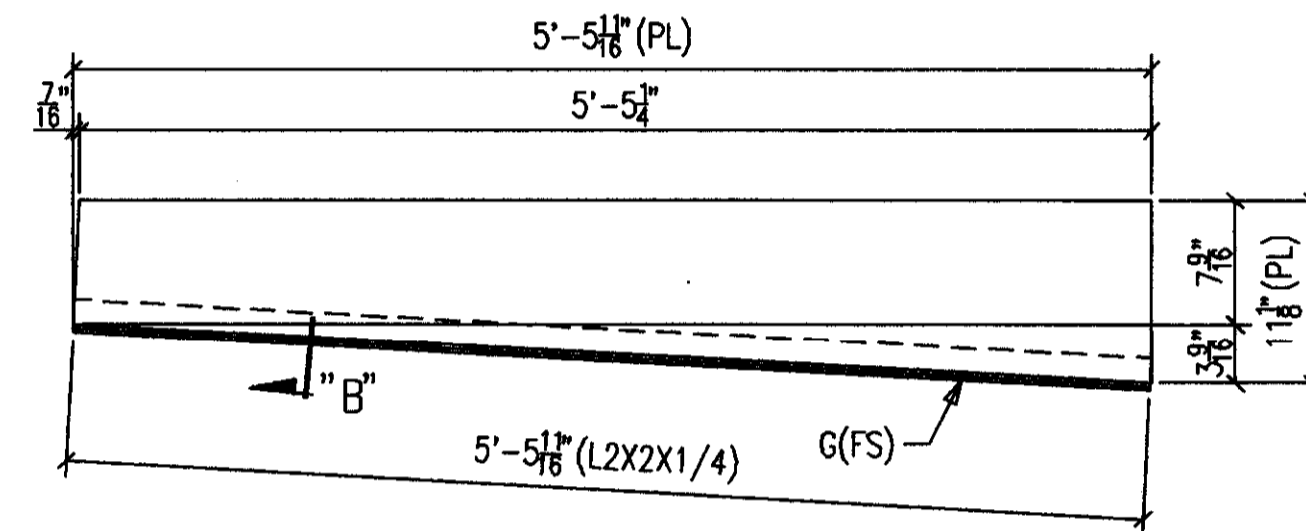
2-ROOF CURB PLATES 604M5 R [AS SHOWN]  
2-ROOF CURB PLATES 604M5 L [OPP HAND]



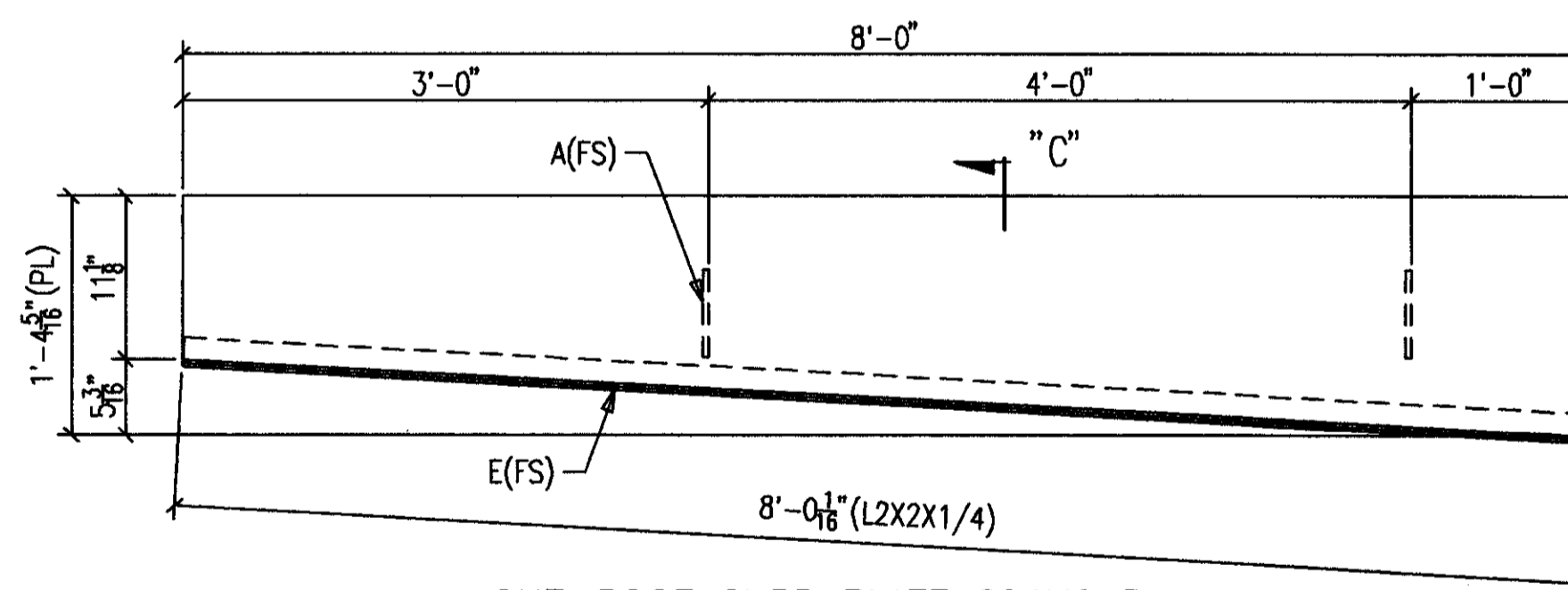
8-ROOF CURB PLATES 604M6



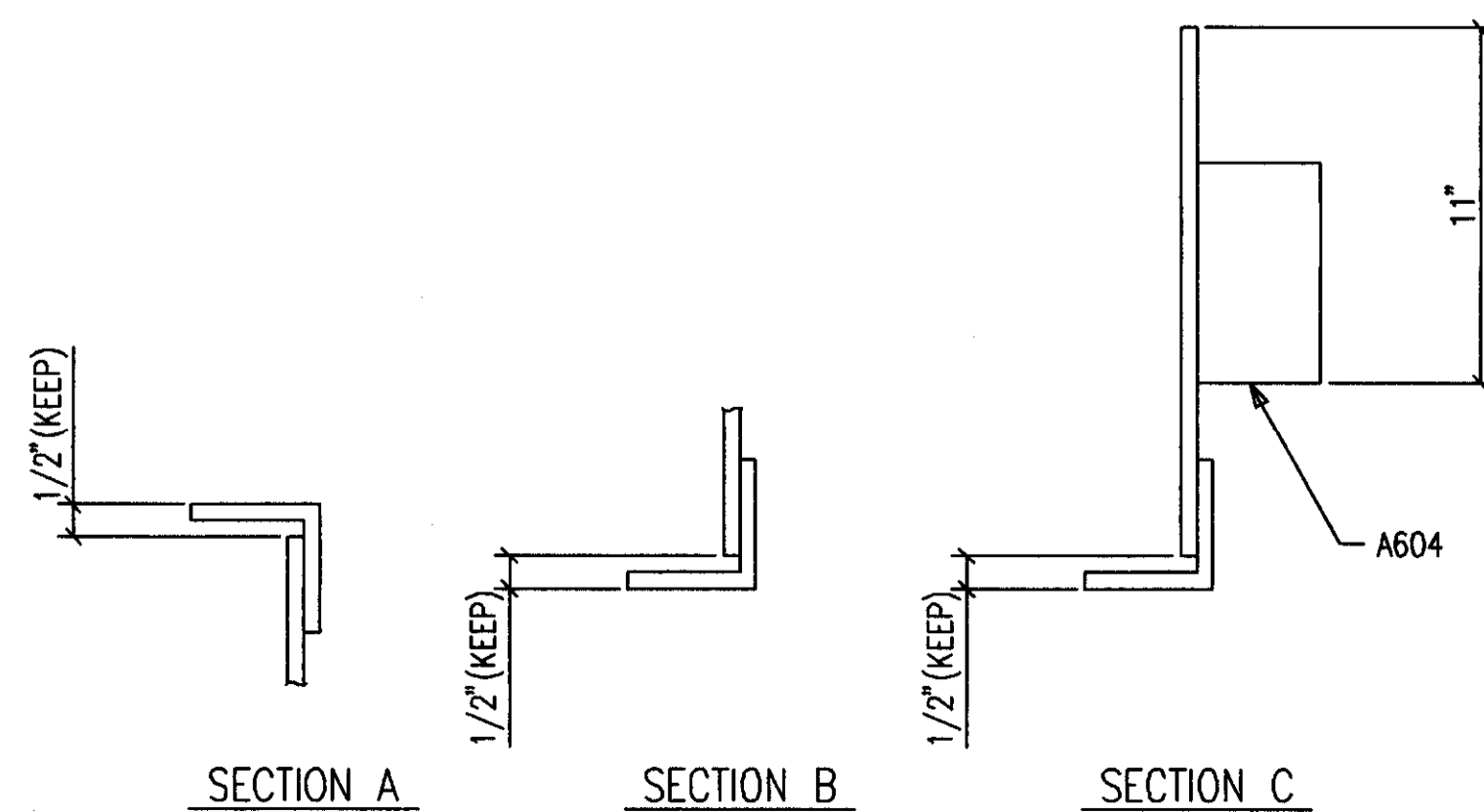
2-ROOF CURB PLATES 604M7



ONE-ROOF CURB PLATE 604M8 R [AS SHOWN]  
ONE-ROOF CURB PLATE 604M8 L [OPP HAND]



ONE-ROOF CURB PLATE 604M9 R [AS SHOWN]  
ONE-ROOF CURB PLATE 604M9 L [OPP HAND]



### BILL OF MATERIAL

SHIP MARK SUB MARK	NO. PCS.	DESCRIPTION	LENGTH		CL UST	REMARKS
			FT.	IN.		
604M1	6	ROOF CURB PLATES				
604M1	6	PL1/4X4-1/2	8	0		
B604	6	L2X2X1/4	8	0		
604M2	2	ROOF CURB PLATES				
604M2	2	PL1/4X4-1/2	4	5-7/8		
C604	2	L2X2X1/4	4	5-7/8		
604M3 L	ONE	ROOF CURB PLATE				
604M3	1	PL1/4X9-3/4	4	11-1/8		
D604	1	L2X2X1/4	4	11-1/4		
604M3 R	ONE	ROOF CURB PLATE				
604M3	1	PL1/4X9-3/4	4	11-1/8		
D604	1	L2X2X1/4	4	11-1/4		
604M4 L	ONE	ROOF CURB PLATE				
604M4	1	PL1/4X17-3/8	8	0		
E604	1	L2X2X1/4	8	0-1/16		
604M4 R	ONE	ROOF CURB PLATE				
604M4	1	PL1/4X17-3/8	8	0		
E604	1	L2X2X1/4	8	0-1/16		
604M5 L	2	ROOF CURB PLATES				
604M5	2	PL1/4X23-15/16	8	0		
E604	2	L2X2X1/4	8	0-1/16		
604M5 R	2	ROOF CURB PLATES				
604M5	2	PL1/4X23-15/16	8	0		
E604	2	L2X2X1/4	8	0-1/16		
604M6	8	ROOF CURB PLATES				
604M6	8	PL1/4X5-1/2	8	0		
B604	8	L2X2X1/4	8	0		
604M7	2	ROOF CURB PLATES				
604M7	2	PL1/4X5-1/2	4	8-7/8		
F604	2	L2X2X1/4	4	8-7/8		
604M8 L	ONE	ROOF CURB PLATE				
604M8	1	PL1/4X11-1/8	5	5-11/16		
G604	1	L2X2X1/4	5	5-11/16		
604M8 R	ONE	ROOF CURB PLATE				
604M8	1	PL1/4X11-1/8	5	5-11/16		
G604	1	L2X2X1/4	5	5-11/16		
604M9 L	ONE	ROOF CURB PLATE				
604M9	1	PL1/4X16-5/16	8	0		
A604	2	FB3/8X3	0	6		
E604	1	L2X2X1/4	8	0-1/16		
604M9 R	ONE	ROOF CURB PLATE				
604M9	1	PL1/4X16-5/16	8	0		
A604	2	FB3/8X3	0	6		
E604	1	L2X2X1/4	8	0-1/16		

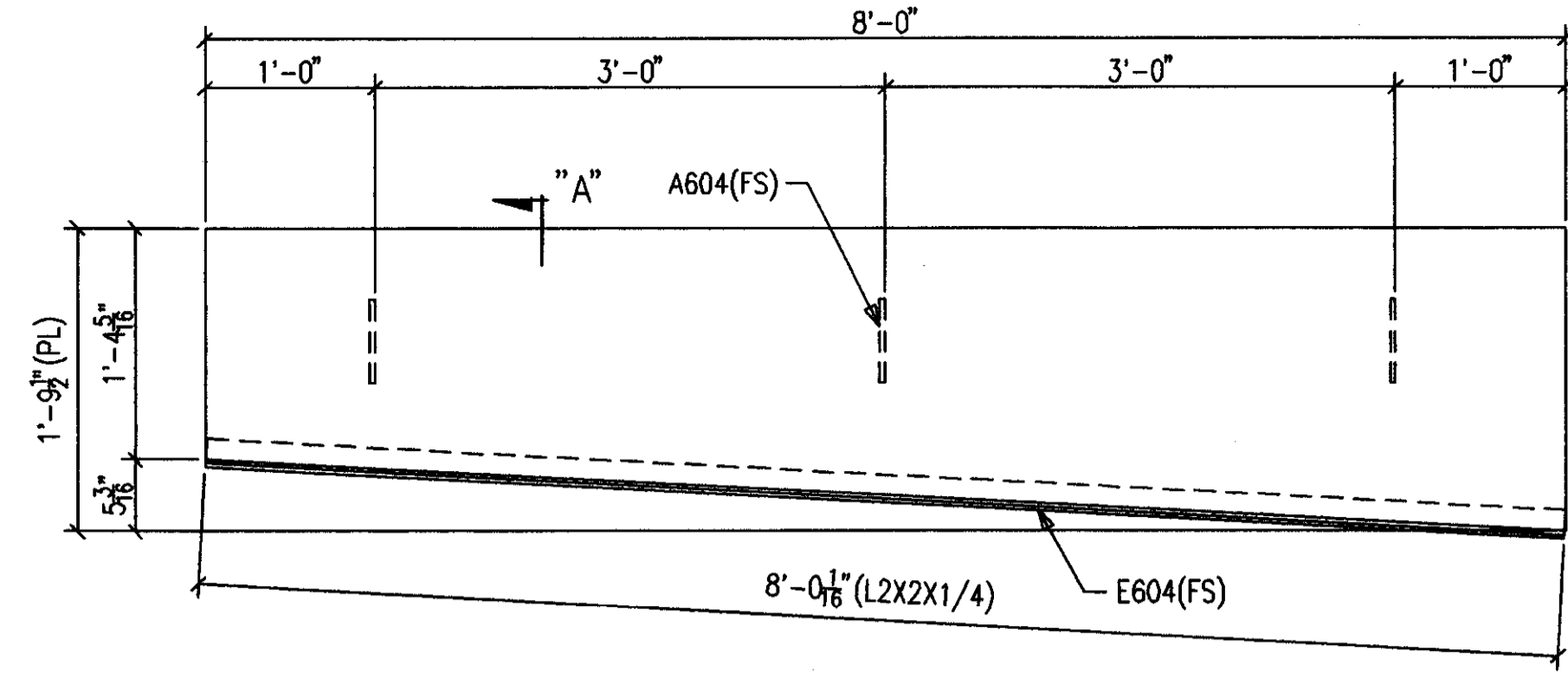
**AS BUILT**  
NAME: *Mof Hughes*  
DATE: **AUG 16 1999**

MATERIAL	U/N	QTY	DATE	REVISION DESCRIPTION	DRAWN	CHKD
A36			3/99			
OPEN HOLES		13/16"				
WELD ELECTRODE	E70XX					
SHOP PAINT	SEE SPECS					
ALL A307 BOLTS	#/HEX NUT					

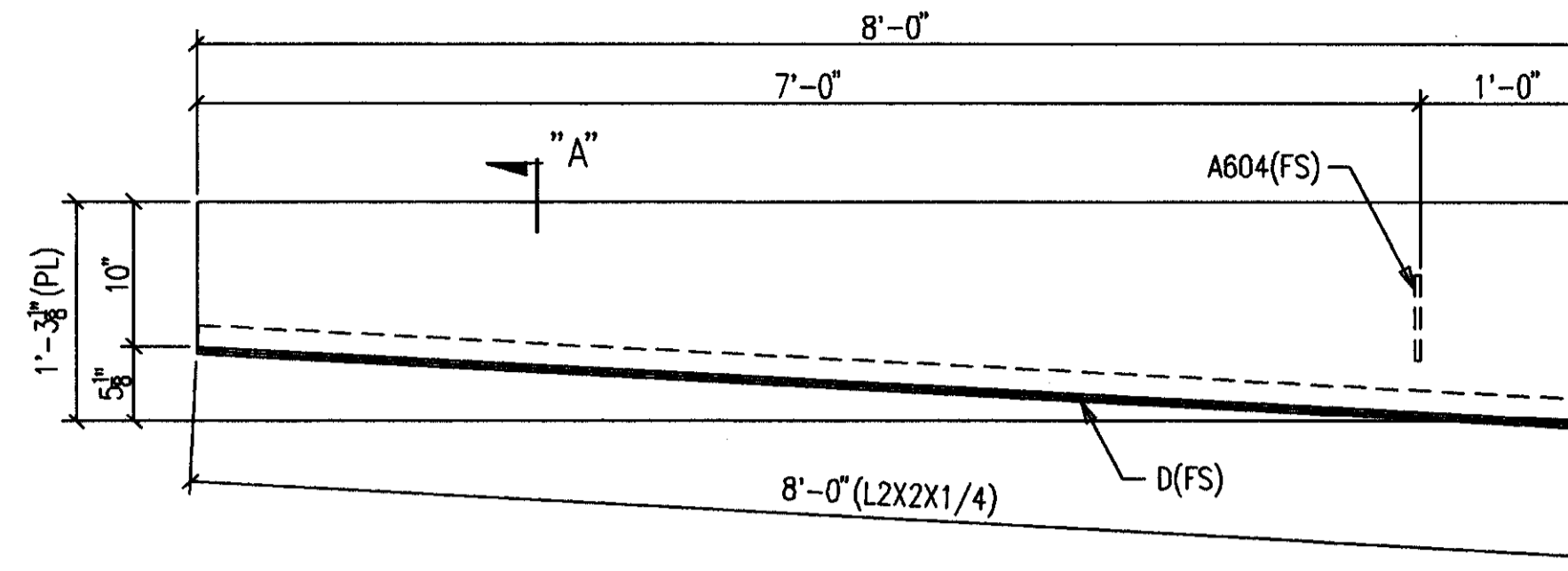
**MID STATES STEEL PRODUCTS CO.**  
2044 BUCK LANE  
LEXINGTON, KENTUCKY 40511  
PHONE: 606-233-4344 FAX: 606-233-4346  
FABRICATORS OF STRUCTURAL AND MISCELLANEOUS STEEL

ORDER NO. **P3524**  
SHEET NO. **604**

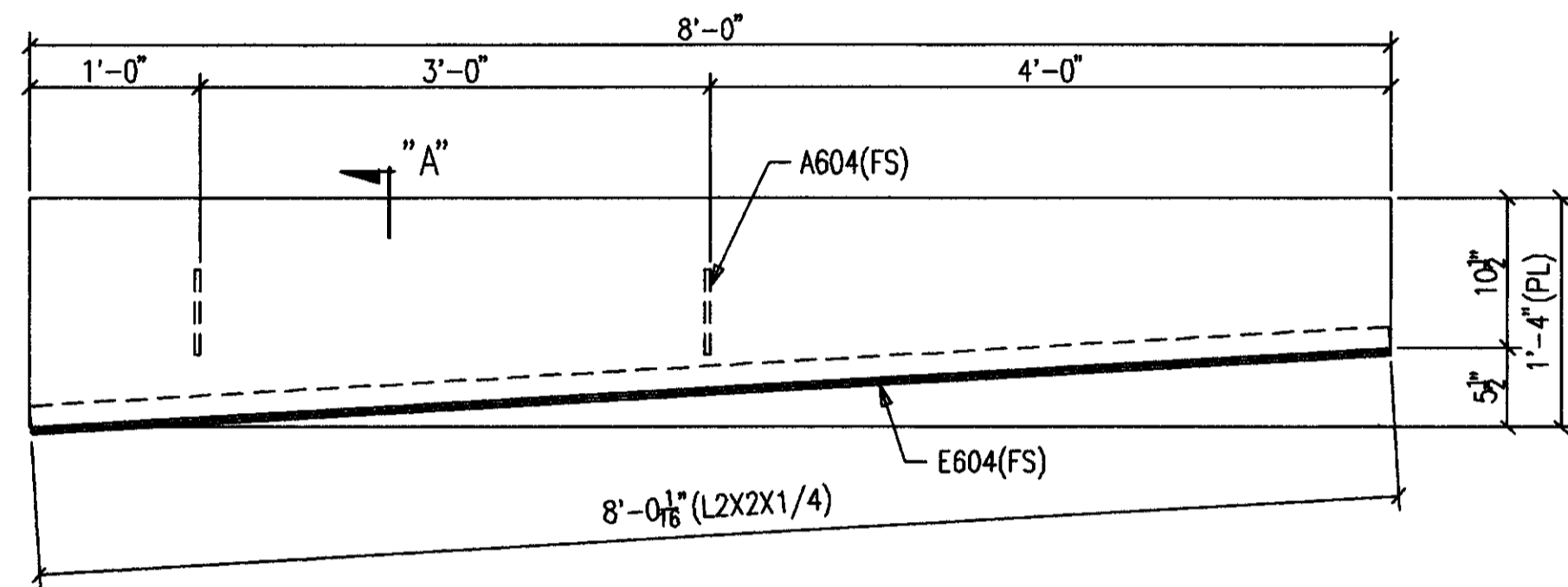
Cab # 205 B-4 Document # 34892



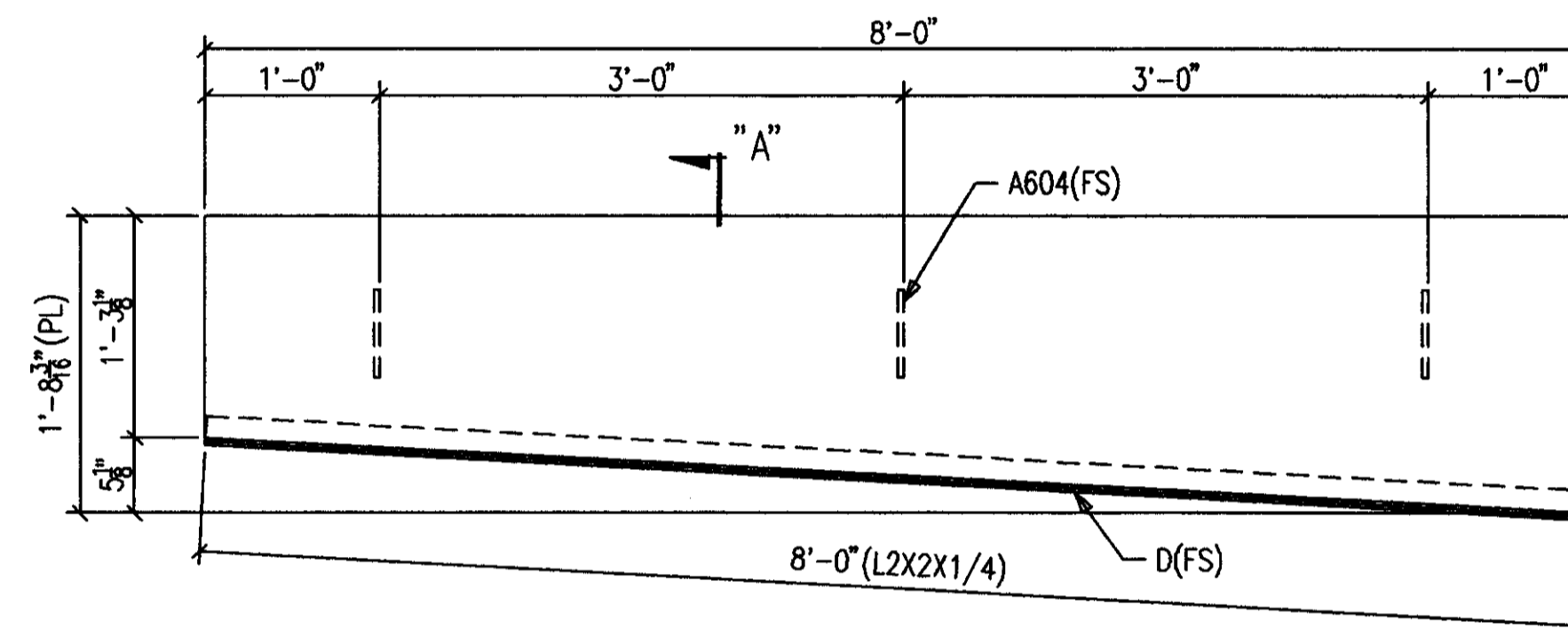
2-ROOF CURB PLATES 605M1 R [AS SHOWN]  
2-ROOF CURB PLATES 605M1 L [OPP HAND]



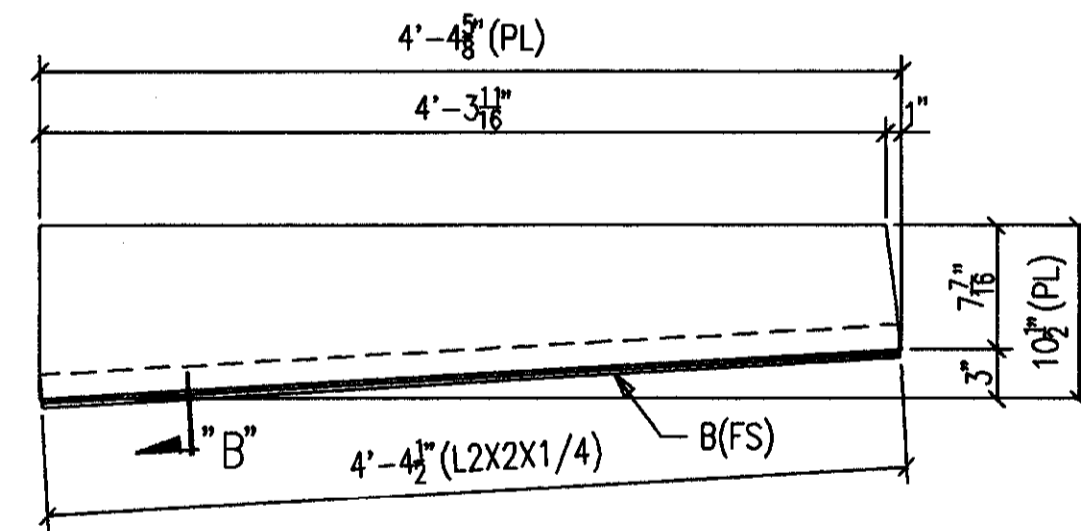
2-ROOF CURB PLATES 605M5 R [AS SHOWN]  
2-ROOF CURB PLATES 605M5 L [OPP HAND]



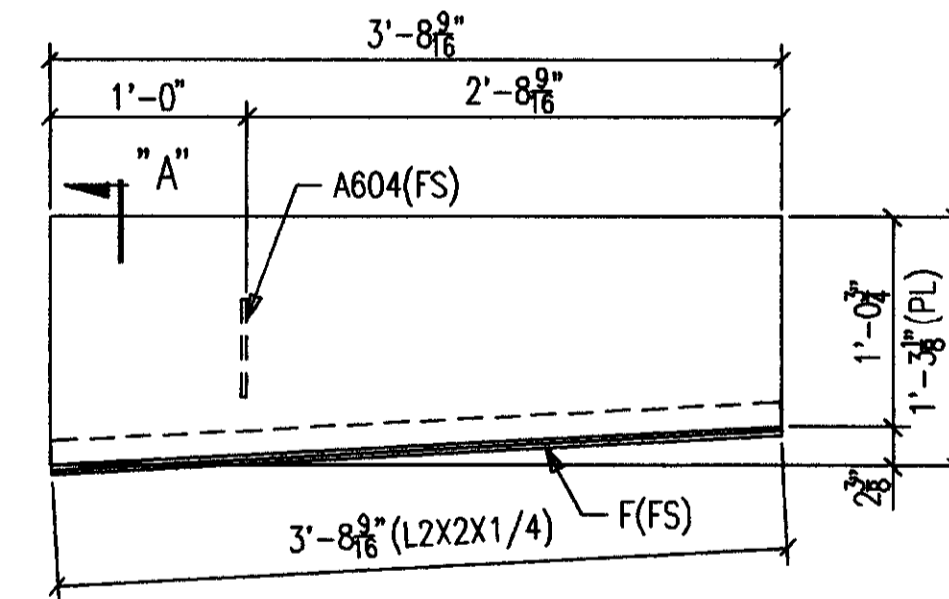
ONE-ROOF CURB PLATE 605M2 R [AS SHOWN]  
ONE-ROOF CURB PLATE 605M2 L [OPP HAND]



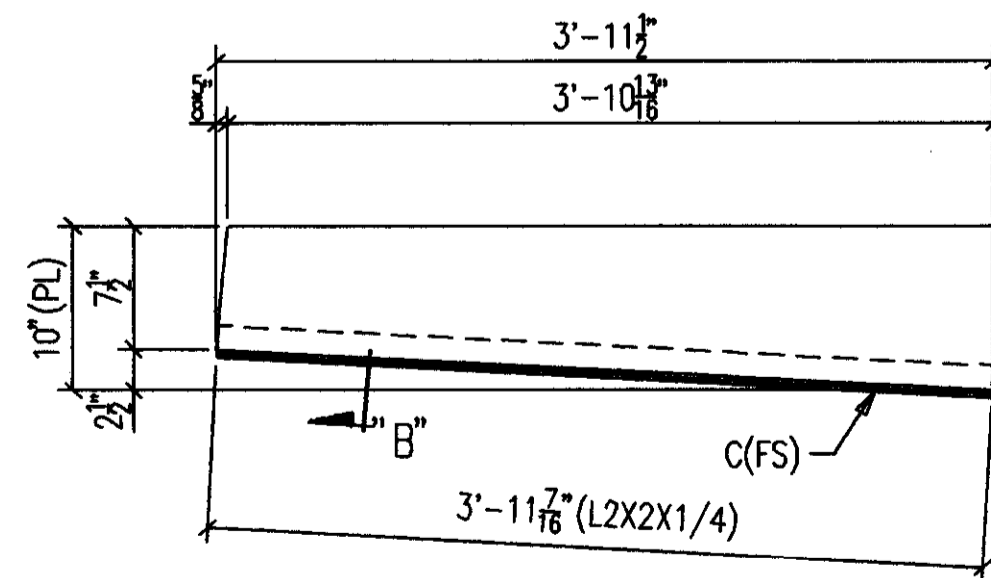
4-ROOF CURB PLATES 605M6 R [AS SHOWN]  
4-ROOF CURB PLATES 605M6 L [OPP HAND]



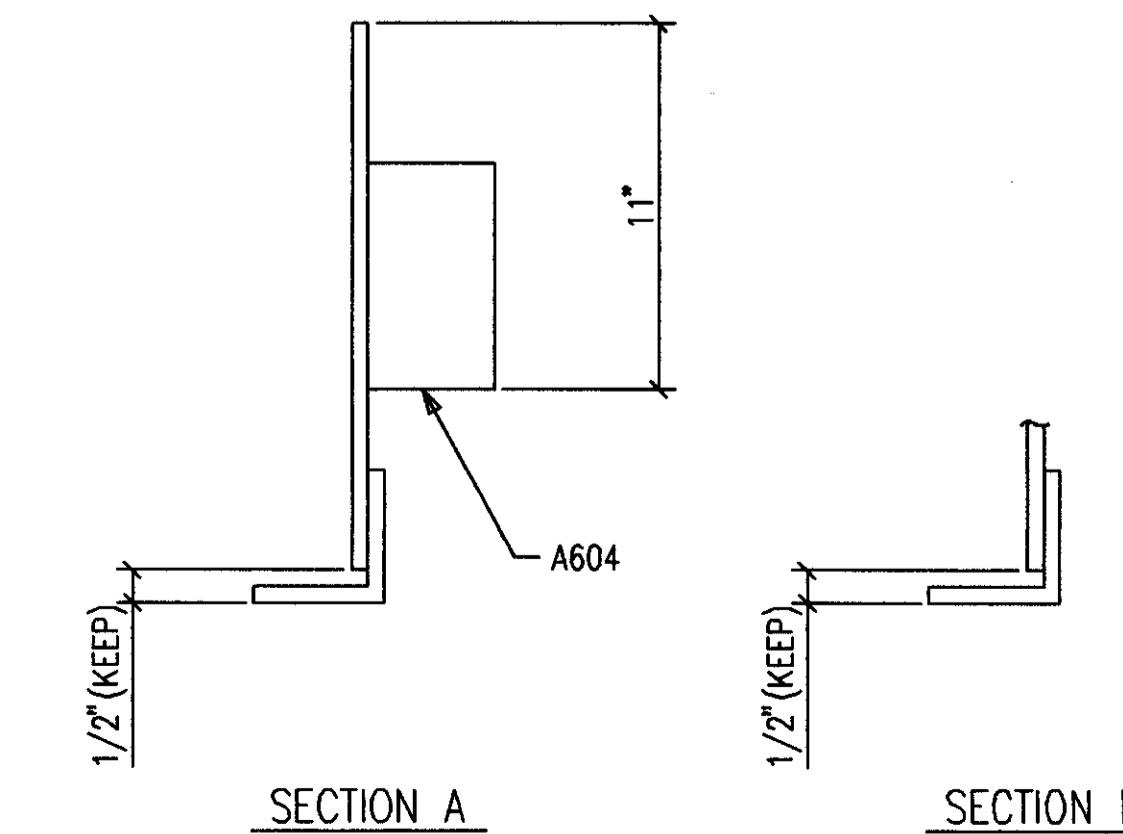
ONE-ROOF CURB PLATE 605M3 R [AS SHOWN]  
ONE-ROOF CURB PLATE 605M3 L [OPP HAND]



ONE-ROOF CURB PLATE 605M7 R [AS SHOWN]  
ONE-ROOF CURB PLATE 605M7 L [OPP HAND]



3-ROOF CURB PLATES 605M4 R [AS SHOWN]  
3-ROOF CURB PLATES 605M4 L [OPP HAND]



### BILL OF MATERIAL

SHIP MARK SUB MARK	NO. PCS.	DESCRIPTION	LENGTH		CL UST	REMARKS
			FT.	IN.		
605M1 L	2	ROOF CURB PLATES				
605M1	2	PL1/4X21-1/2	8	0		
A604	6	FB3/8X3	0	6		
E604	2	L2X2X1/4	8	0-1/16		
605M1 R	2	ROOF CURB PLATES				
605M1	2	PL1/4X21-1/2	8	0		
A604	6	FB3/8X3	0	6		
E604	2	L2X2X1/4	8	0-1/16		
605M2 L	ONE	ROOF CURB PLATE				
605M2	1	PL1/4X16	8	0		
A604	2	FB3/8X3	0	6		
E604	1	L2X2X1/4	8	0-1/16		
605M2 R	ONE	ROOF CURB PLATE				
605M2	1	PL1/4X16	8	0		
A604	2	FB3/8X3	0	6		
E604	1	L2X2X1/4	8	0-1/16		
605M3 L	ONE	ROOF CURB PLATE				
605M3	1	PL1/4X10-1/2	4	4-5/8		
B605	1	L2X2X1/4	4	4-1/2		
605M3 R	ONE	ROOF CURB PLATE				
605M3	1	PL1/4X10-1/2	4	4-5/8		
B605	1	L2X2X1/4	4	4-1/2		
605M4 L	3	ROOF CURB PLATES				
605M4	3	PL1/4X10	3	11-1/2		
C605	3	L2X2X1/4	3	11-7/16		
605M4 R	3	ROOF CURB PLATES				
605M4	3	PL1/4X10	3	11-1/2		
C605	3	L2X2X1/4	3	11-7/16		
605M5 L	2	ROOF CURB PLATES				
605M5	2	PL1/4X15-1/8	8	0		
A604	2	FB3/8X3	0	6		
D605	2	L2X2X1/4	8	0		
605M5 R	2	ROOF CURB PLATES				
605M5	2	PL1/4X15-1/8	8	0		
A604	2	FB3/8X3	0	6		
D605	2	L2X2X1/4	8	0		
605M6 L	4	ROOF CURB PLATES				
605M6	4	PL1/4X20-3/16	8	0		
A604	12	FB3/8X3	0	6		
D605	4	L2X2X1/4	8	0		
605M6 R	4	ROOF CURB PLATES				
605M6	4	PL1/4X20-3/16	8	0		
A604	12	FB3/8X3	0	6		
D605	4	L2X2X1/4	8	0		
605M7 L	ONE	ROOF CURB PLATE				
605M7	1	PL1/4X15-1/8	3	8-9/16		
A604	1	FB3/8X3	0	6		
F605	1	L2X2X1/4	3	8-9/16		
605M7 R	ONE	ROOF CURB PLATE				
605M7	1	PL1/4X15-1/8	3	8-9/16		
A604	1	FB3/8X3	0	6		
F605	1	L2X2X1/4	3	8-9/16		

**AS BUILT**  
NAME: *Max Hughes*  
DATE: **AUG 16 1999**

DATE	APP	SHOP	FIELD

CONTRACTOR TO CHECK ALL DIMENSIONS AT JOB AS MID STATES STEEL PRODUCTS CO. ASSUMES NO RESPONSIBILITY FOR GENERAL BUILDING DIMENSIONS. NO BACK CHARGES PERTAINING TO THIS WORK WILL BE ACCEPTED WITHOUT PRIOR AUTHORIZATION BY MID STATES STEEL PRODUCTS CO.

MATERIAL U/N A36 OPEN HOLES U/N 13/16" Ø WELD ELECTRODE U/N E70XX SHOP PAINT SEE SPECS ALL A307 BOLTS w/HEX NUT

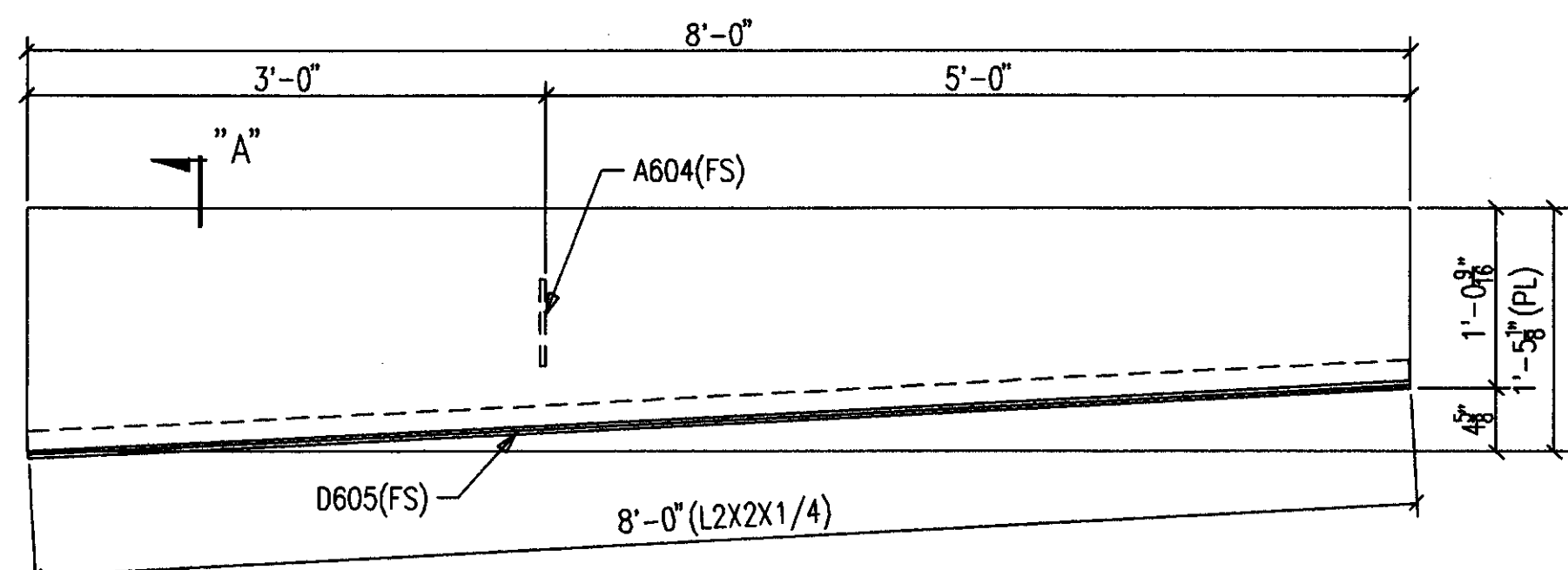
DRAWN BY **SC** DATE 3/99

JOB NAME COMMONWEALTH STADIUM EXPANSION JOB LOCATION UNIVERSITY OF KENTUCKY CONTRACTOR TURNER CONSTRUCTION COMPANY ENGINEER WALTER P. MOORE

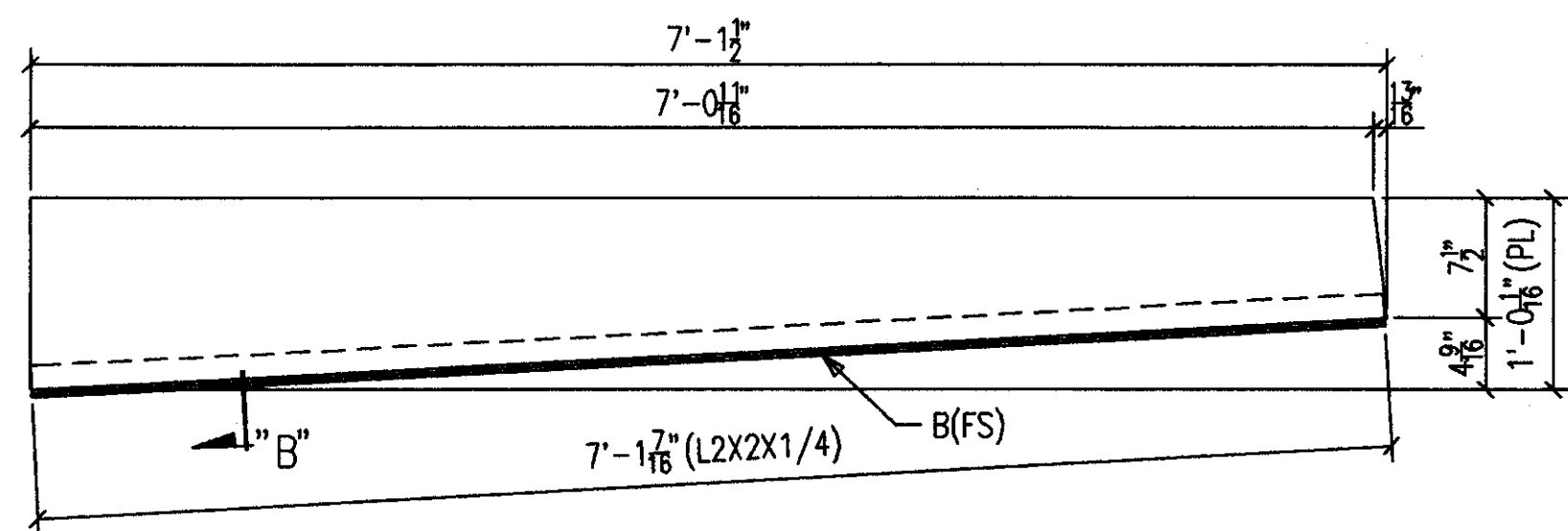
DRAWING TITLE **ROOF CURB PLATES**

2044 BUCK LANE LEXINGTON, KENTUCKY 40511 PHONE: 606-233-4344 FAX: 606-233-4346

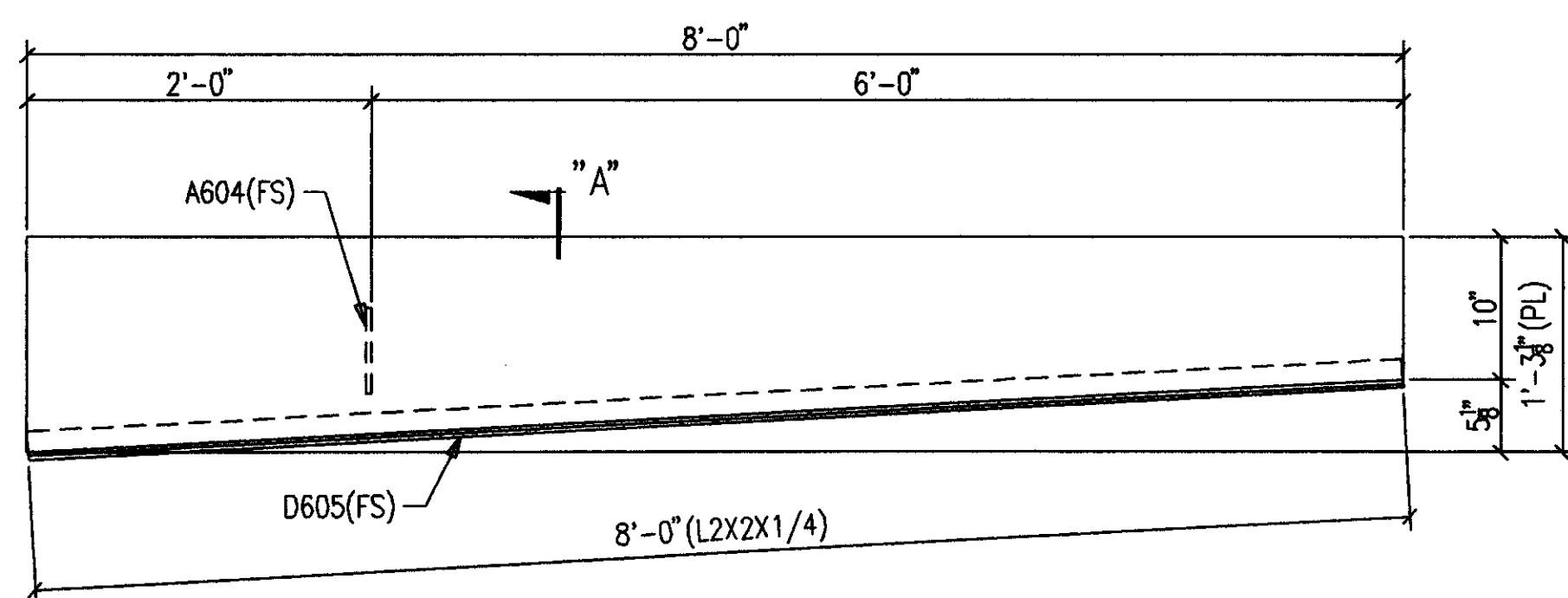
ORDER NO. **P3522** SHEET NO. **605**



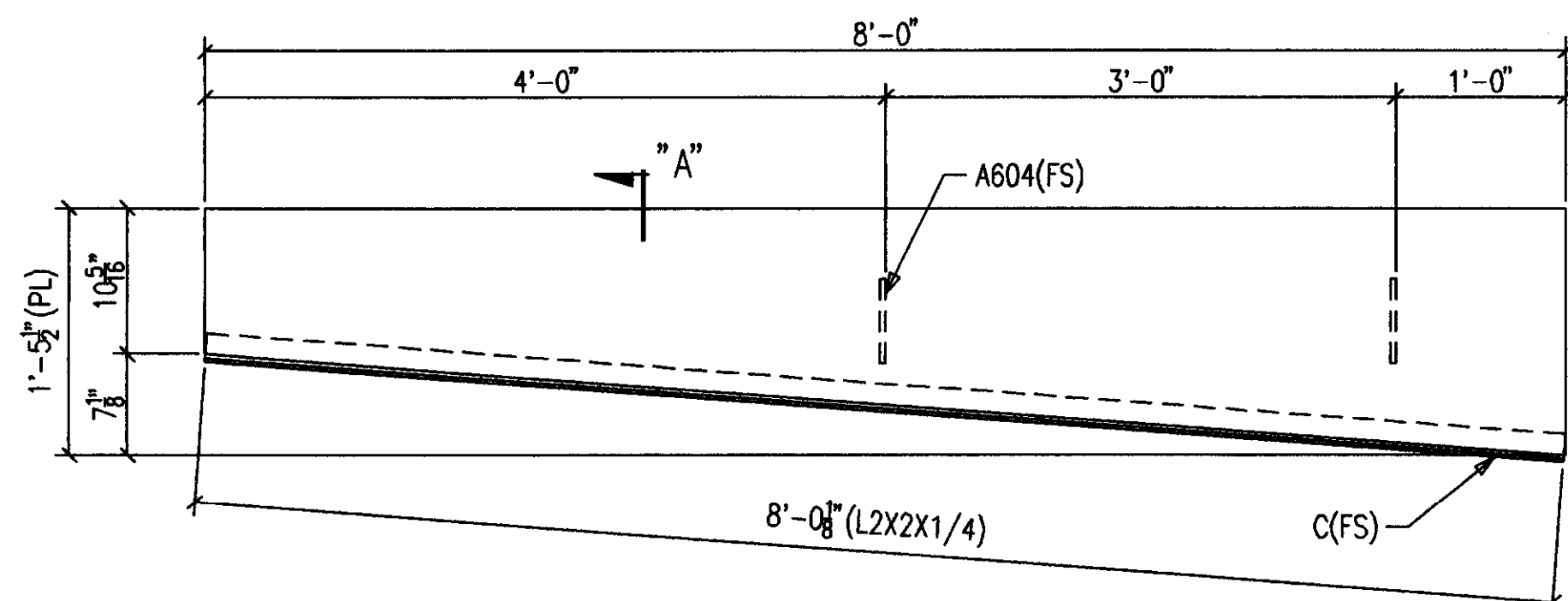
ONE-ROOF CURB PLATE 606M1 R [AS SHOWN]  
 ONE-ROOF CURB PLATE 606M1 L [OPP HAND]



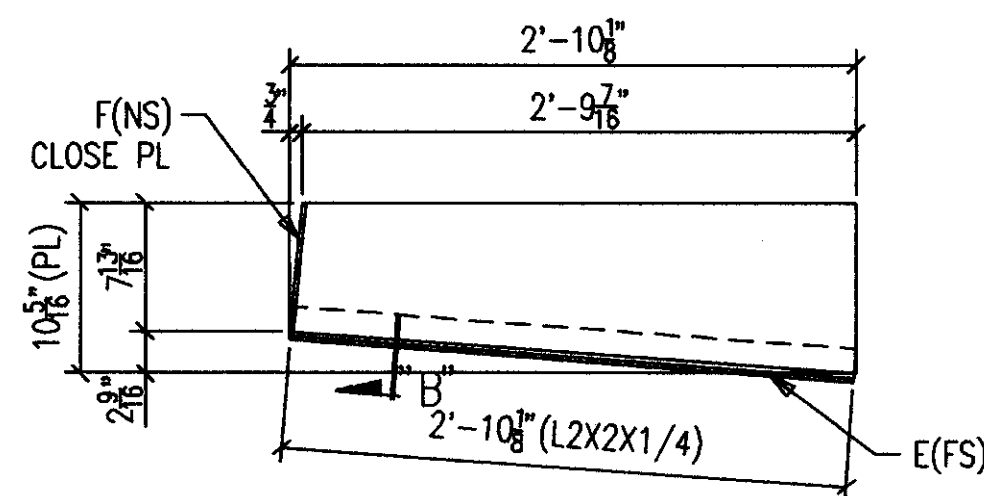
ONE-ROOF CURB PLATE 606M2 R [AS SHOWN]  
 ONE-ROOF CURB PLATE 606M2 L [OPP HAND]



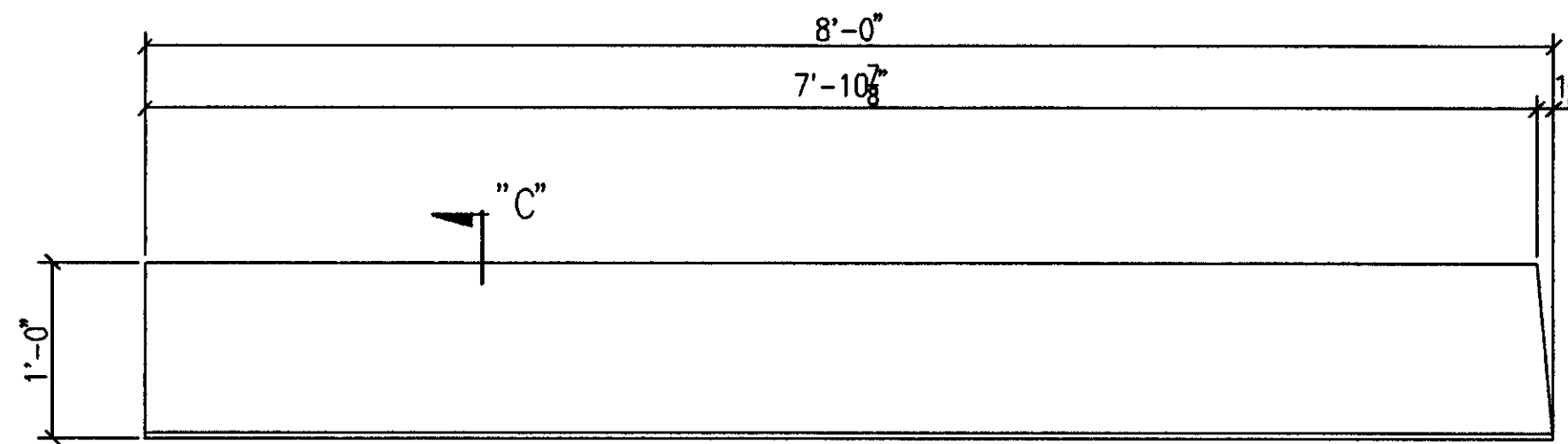
ONE-ROOF CURB PLATE 606M3 R [AS SHOWN]  
 ONE-ROOF CURB PLATE 606M3 L [OPP HAND]



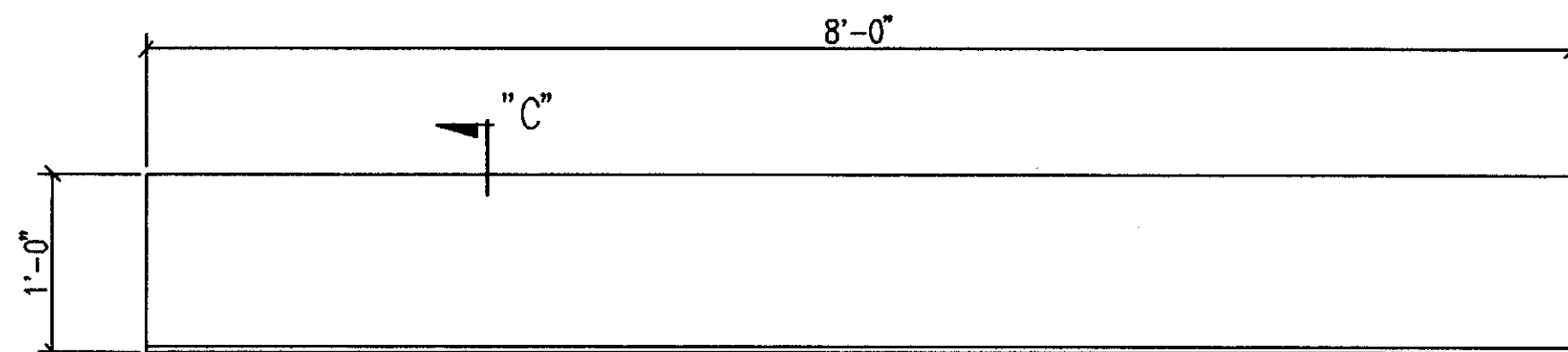
ONE-ROOF CURB PLATE 606M4 R [AS SHOWN]  
 ONE-ROOF CURB PLATE 606M4 L [OPP HAND]



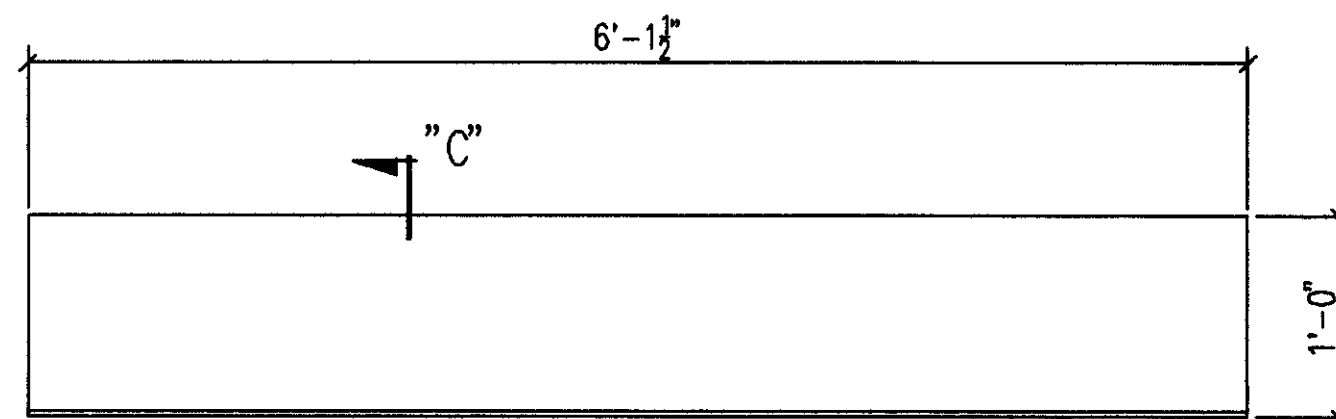
ONE-ROOF CURB PLATE 606M5 R [AS SHOWN]  
 ONE-ROOF CURB PLATE 606M5 L [OPP HAND]



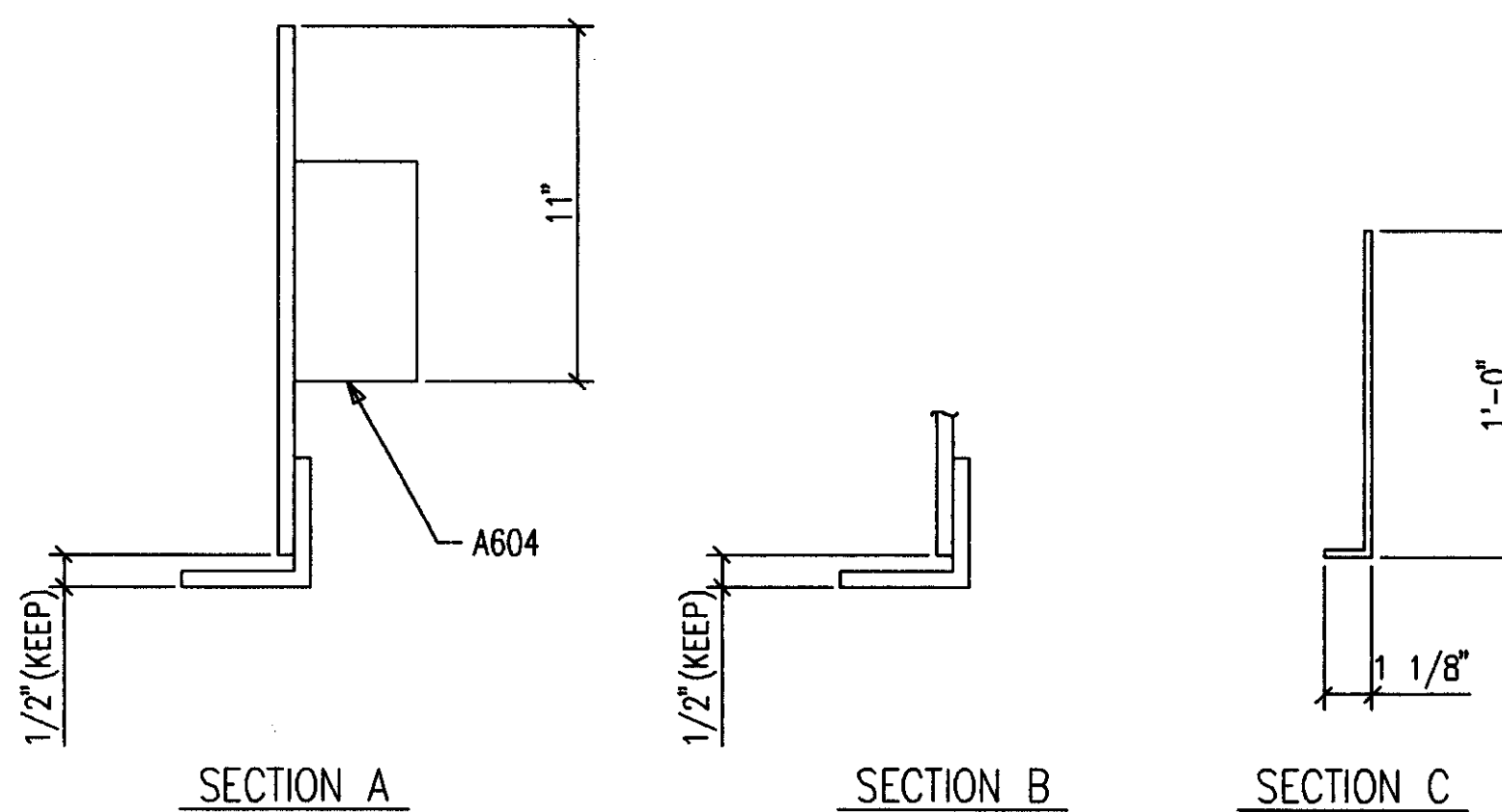
ONE-ROOF CURB PLATE 606M6 R [AS SHOWN]  
 ONE-ROOF CURB PLATE 606M6 L [OPP HAND]



8-ROOF CURB PLATES 606M7

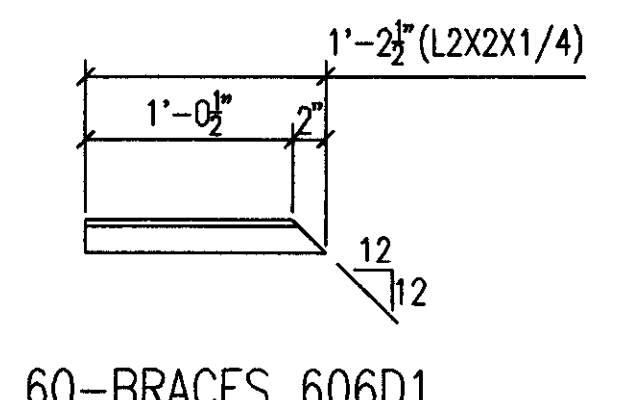


2-ROOF CURB PLATES 606M8



BILL OF MATERIAL

SHIP MARK SUB MARK	NO. PCS.	DESCRIPTION	LENGTH		C U L T	REMARKS
			FT.	IN.		
606D1	60	BRACES				
606D1	60	L2X2X1/4	1	2-1/2		BC1E
606M1 L	ONE	ROOF CURB PLATE				
606M1	1	PL1/4X17-1/8	8	0		
A604	1	F3/8X3	0	6		
D605	1	L2X2X1/4	8	0		
606M1 R	ONE	ROOF CURB PLATE				
606M1	1	PL1/4X17-1/8	8	0		
A604	1	F3/8X3	0	6		
D605	1	L2X2X1/4	8	0		
606M2 L	ONE	ROOF CURB PLATE				
606M2	1	PL1/4X12-1/16	7	1-1/2		
B606	1	L2X2X1/4	7	1-7/16		
606M2 R	ONE	ROOF CURB PLATE				
606M2	1	PL1/4X12-1/16	7	1-1/2		
B606	1	L2X2X1/4	7	1-7/16		
606M3 L	ONE	ROOF CURB PLATE				
606M3	1	PL1/4X15-1/8	8	0		
A604	1	F3/8X3	0	6		
D605	1	L2X2X1/4	8	0		
606M3 R	ONE	ROOF CURB PLATE				
606M3	1	PL1/4X15-1/8	8	0		
A604	1	F3/8X3	0	6		
D605	1	L2X2X1/4	8	0		
606M4 L	ONE	ROOF CURB PLATE				
606M4	1	PL1/4X17-1/2	8	0		
A604	2	F3/8X3	0	6		
C606	1	L2X2X1/4	8	0-1/8		
606M4 R	ONE	ROOF CURB PLATE				
606M4	1	PL1/4X17-1/2	8	0		
A604	2	F3/8X3	0	6		
C606	1	L2X2X1/4	8	0-1/8		
606M5 L	ONE	ROOF CURB PLATE				
606M5	1	PL1/4X10-5/16	2	10-1/8		
E606	1	L2X2X1/4	2	10-1/8		
606M5 R	ONE	ROOF CURB PLATE				
606M5	1	PL1/4X10-5/16	2	10-1/8		
E606	1	L2X2X1/4	2	10-1/8		
606M6 L	ONE	ROOF CURB PLATE				
606M6	1	PL1/4X12-5/8	8	0		BENT
606M6 R	ONE	ROOF CURB PLATE				
606M6	1	PL1/4X12-5/8	8	0		BENT
606M7	8	ROOF CURB PLATES				
606M7	8	PL1/4X12-5/8	8	0		BENT
606M8	2	ROOF CURB PLATES				
606M8	2	PL1/4X12-5/8	6	1-1/2		BENT
606M9	10	ROOF CURB PLATES				PLAIN MAT
606M9	10	F3/8X1-1/2	10	0		PLAIN MAT



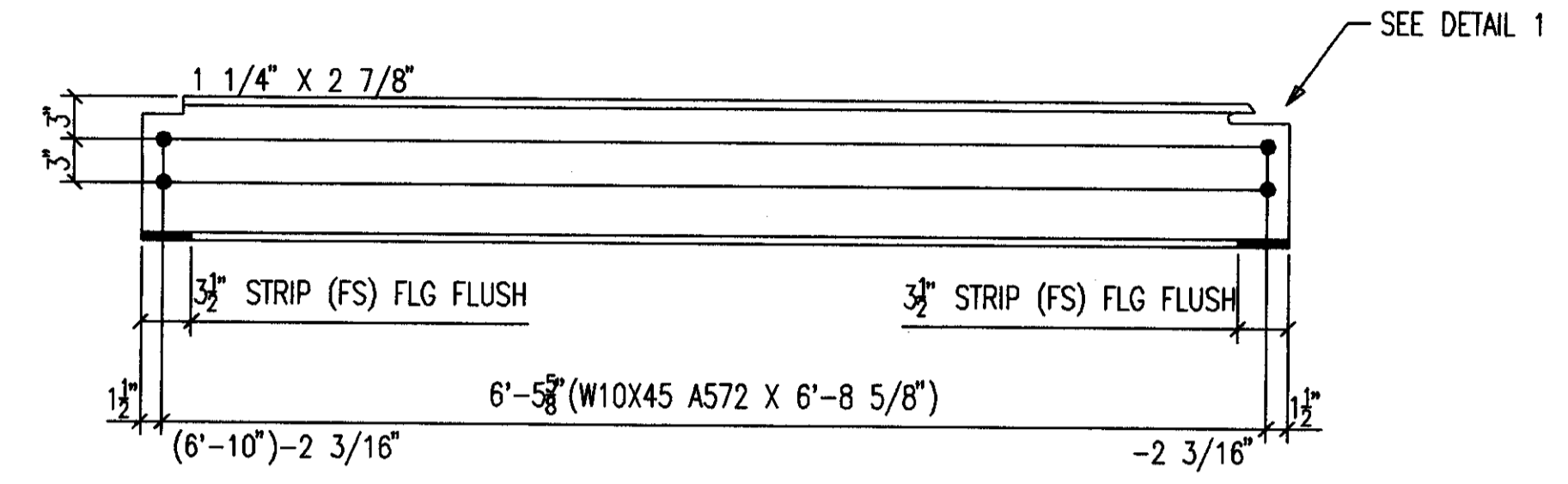
60-BRACES 606D1

**AS BUILT**  
 NAME: *Map Hughes*  
 DATE: **AUG 16 1999**

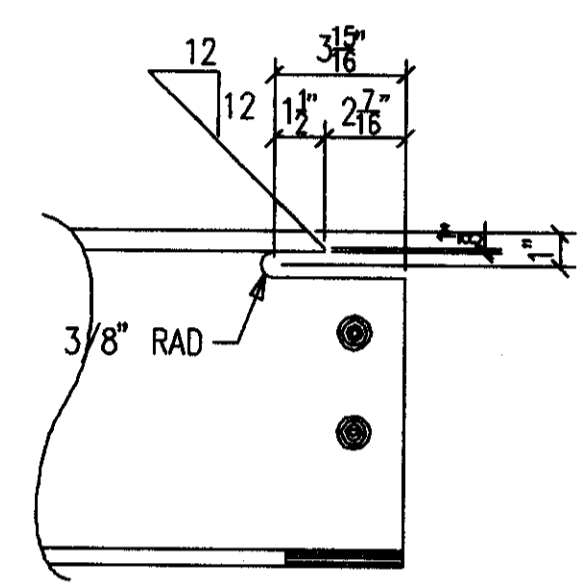
NO.	DATE	REVISION DESCRIPTION	DWN I	CRD	
		CONTRACTOR TO CHECK ALL DIMENSIONS AT JOB AS MID STATES STEEL PRODUCTS CO. ASSUMES NO RESPONSIBILITY FOR GENERAL BUILDING DIMENSIONS. NO BACK CHARGES PERTAINING TO THIS WORK WILL BE ACCEPTED WITHOUT PRIOR AUTHORIZATION BY MID STATES STEEL PRODUCTS CO.			
MATERIAL U/N	A36	DRAWN BY	SC	JOB NAME	COMMONWEALTH STADIUM EXPANSION
OPEN HOLES U/N	13/16" Ø	DATE	3/99	JOB LOCATION	UNIVERSITY OF KENTUCKY
WELD ELECTRODE U/N	E70XX	CHECKED BY		CONTRACTOR	TURNER CONSTRUCTION COMPANY
SHOP PAINT	SEE SPECS	DATE		ENGINEER	WALTER P. MOORE
ALL A307 BOLTS w/HEX NUT		DRAWING TITLE			
ALL A325 BOLTS w/ONE HARD WASH. AND HVY HEX NUT		ROOF CURB PLATES			
ALL RE-ENTRANT CUTS MIN. 1/2" RAD. U/N					
ALL A325 BOLTS w/ONE HARD WASH. AND HVY HEX NUT					
DATE		2044 BUCK LANE			
APP		LEXINGTON, KENTUCKY 40511			
SHOP		PHONE: 606-233-4344 FAX: 606-233-4346			
FIELD		ORDER NO.			
		P3522			
		SHEET NO.			
		606			
		FABRICATORS OF STRUCTURAL AND MISCELLANEOUS STEEL			

BILL OF MATERIAL

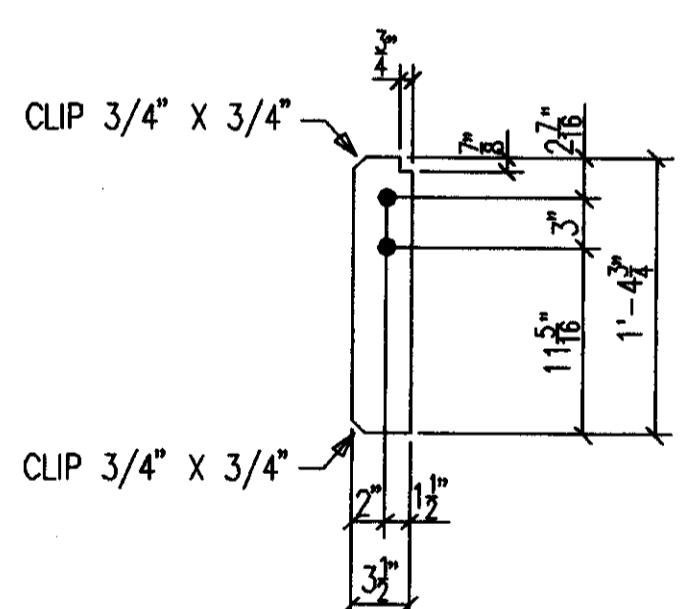
SHIP MARK SUB MARK	NO. PCS.	DESCRIPTION	LENGTH		CL I T T	REMARKS
			FT.	IN.		
607B1	ONE	BEAM				
607B1	1	W10X45 A572	6	8-5/8		P
607M1	ONE	STIFFENER				
607M1	1	FB3/8X3-1/2	1	4-3/4		P
607M2	ONE	STIFFENER				
607M2	1	FB3/8X3-1/2	1	4-3/4		P
607M3	2	STIFFENERS				
607M3	2	PL3/8X2-3/4	1	4-3/4		STIFF
607M4	ONE	PLATE				
607M4	1	PL3/4X15	1	3		COLD GALV P
		FIELD BOLTS				
F1640H	5	A490 1x2-1/2				
F161LW	5	A LOAD IND 1				



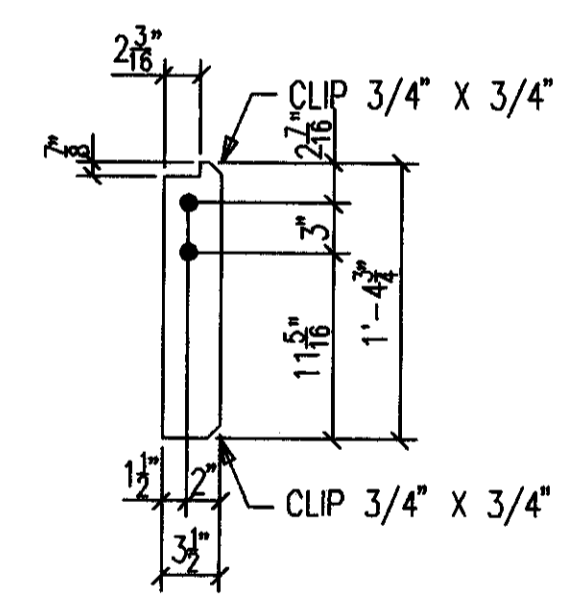
ONE-BEAM 607B1  
4-A490 1 X 2 1/2 F1640H  
4-A LOAD IND WASH 1 F161LW



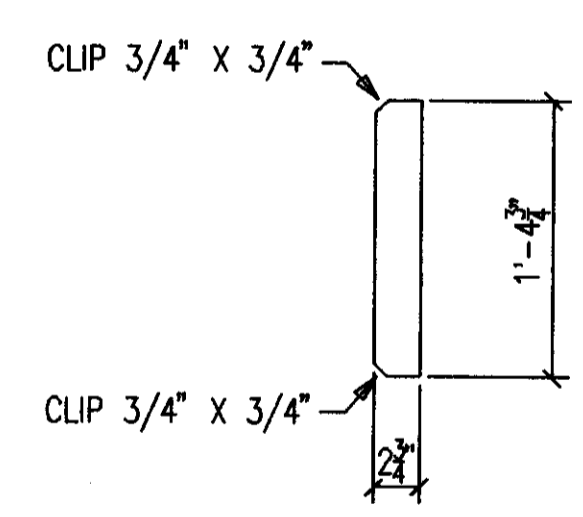
DETAIL 1



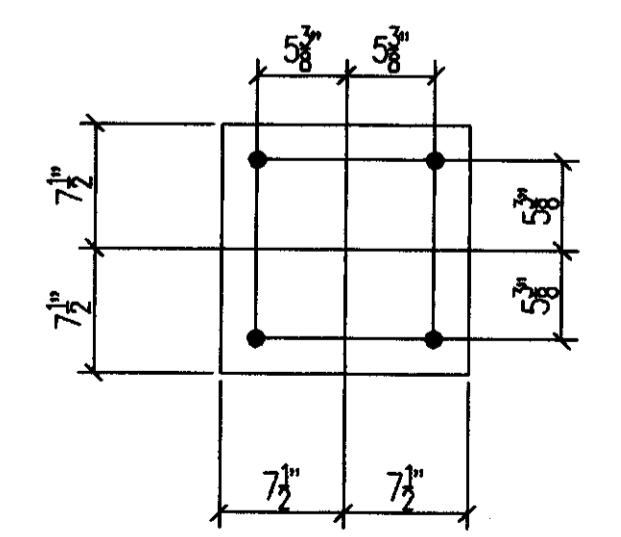
ONE-STIFFENER 607M1



ONE-STIFFENER 607M2



2-STIFFENERS 607M3



ONE-PLATE 607M4  
(COLD GALV)

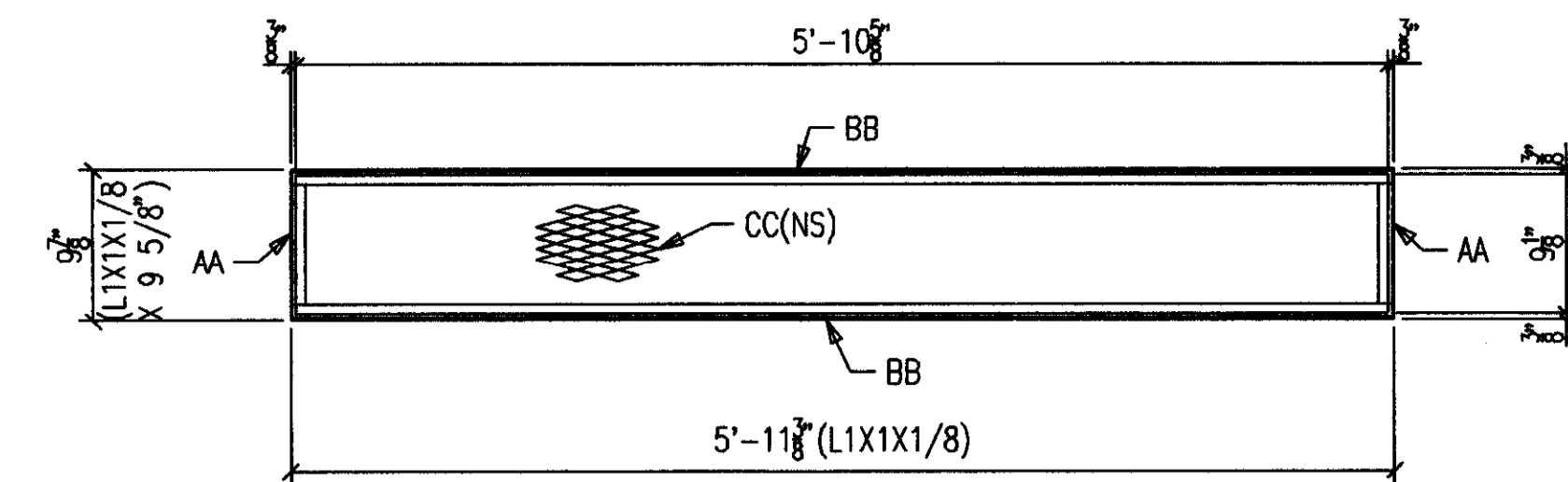
AS BUILT  
NAME: *Map Hughes*  
DATE: **AUG 16 1999**

DATE	APP	SHOP	FIELD

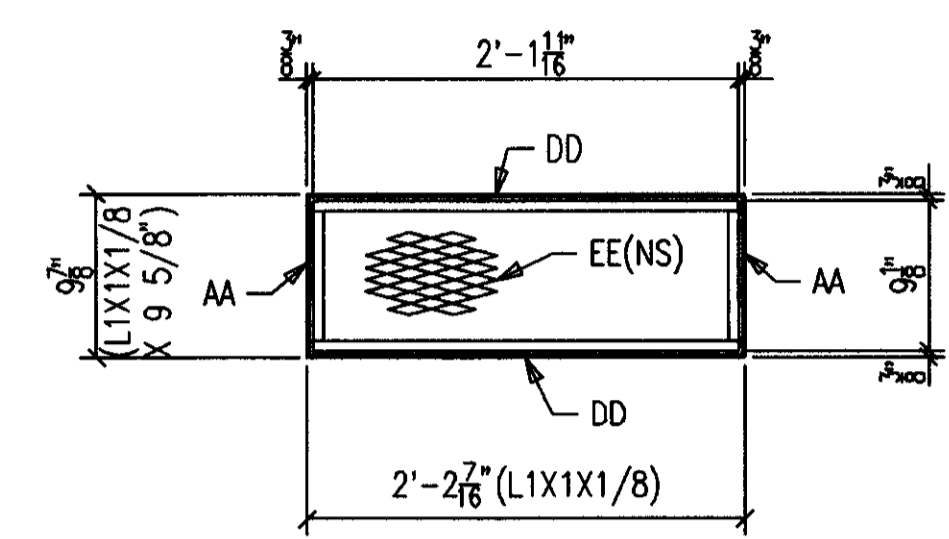
NO.		DATE		REVISION DESCRIPTION		MINI	LOAD
CONTRACTOR TO CHECK ALL DIMENSIONS AT JOB AS MID STATES STEEL PRODUCTS CO. ASSUMES NO RESPONSIBILITY FOR GENERAL BUILDING DIMENSIONS. NO BACK CHARGES PERTAINING TO THIS WORK WILL BE ACCEPTED WITHOUT PRIOR AUTHORIZATION BY MID STATES STEEL PRODUCTS CO.							
MATERIAL U/A	A36	DRAWN BY	SC	JOB NAME	COMMONWEALTH STADIUM EXPANSION		
OPEN HOLES U/A	1/16" Ø	DATE	3/99	JOB LOCATION	UNIVERSITY OF KENTUCKY		
WELD ELECTRODE U/A	E70XX	CHECKED BY		CONTRACTOR	TURNER CONSTRUCTION COMPANY		
SHOP PAINT	SEE SPECS	DATE		ENGINEER	WALTER P. MOORE		
ALL A307 BOLTS w/HEX NUT				DRAWING TITLE			
ALL RE-ENTRANT CUTS MIN. 1/2" RAD. U/A				FLAGPOLE BEAM - QUAD "B"			
ALL A325 BOLTS w/ONE HARD WASH. AND HVY HEX NUT				2044 BUCK LANE LEXINGTON, KENTUCKY 40511 PHONE: 606-233-4344 FAX: 606-233-4346			
ORDER NO.				P3524			
SHEET NO.				607			
FABRICATORS OF STRUCTURAL AND MISCELLANEOUS STEEL							

### BILL OF MATERIAL

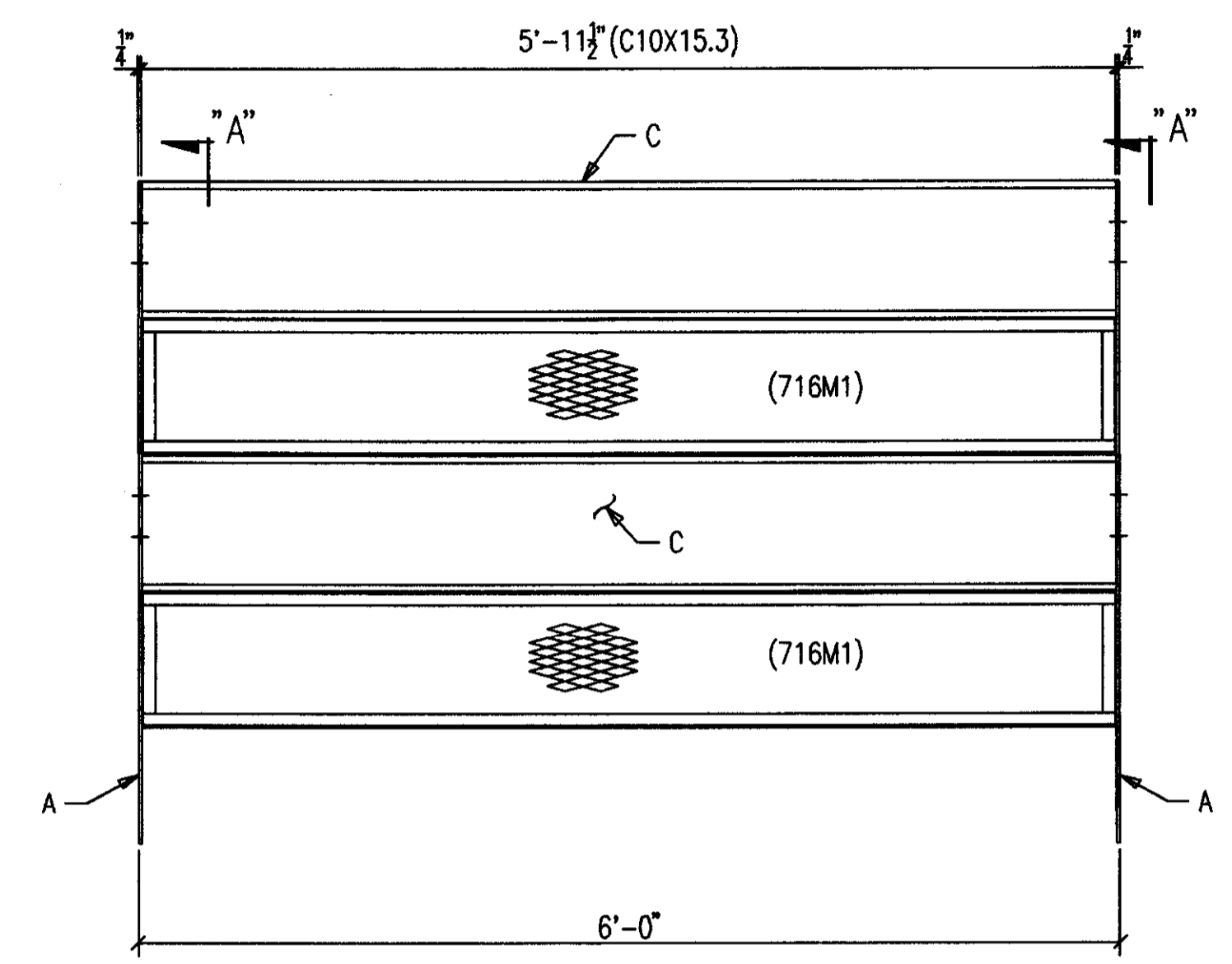
SHIP MARK SUB MARK	NO. PCS.	DESCRIPTION	LENGTH		CLUST YST	REMARKS
			FT.	IN.		
716H1	2	HANDRAILS				
A716	4	FB1/4X3	4	0-1/2		P
C716	4	C10X15.3	5	11-1/2		SC2E
716H2 L	2	HANDRAILS				
A716	2	FB1/4X3	4	0-1/2		P
B716	4	FB1/2X3	4	0-1/2		SHAPE
D716	2	C10X15.3	14	2-1/2		SC2E
716H2 R	2	HANDRAILS				
A716	2	FB1/4X3	4	0-1/2		P
B716	4	FB1/2X3	4	0-1/2		SHAPE
D716	2	C10X15.3	14	2-1/2		SC2E
716M1	112	HR PANELS (SHOP ATT)				
AA716	224	L1X1X1/8	0	9-5/8		CTF
BB716	224	L1X1X1/8	5	11-3/8		
CC716	112	XPAN MTL 1-1/2-9 X 9-1/8	5	10-5/8		FLAT/GALV
716M2	8	HR PANELS (SHOP ATT)				
AA716	16	L1X1X1/8	0	9-5/8		CTF
DD716	16	L1X1X1/8	2	2-7/16		
EE716	8	XPAN MTL 1-1/2-9 X 9-1/8	2	1-11/16		FLAT/GALV
		FIELD BOLTS				
F1228A	17	A325 3/4X1-3/4				



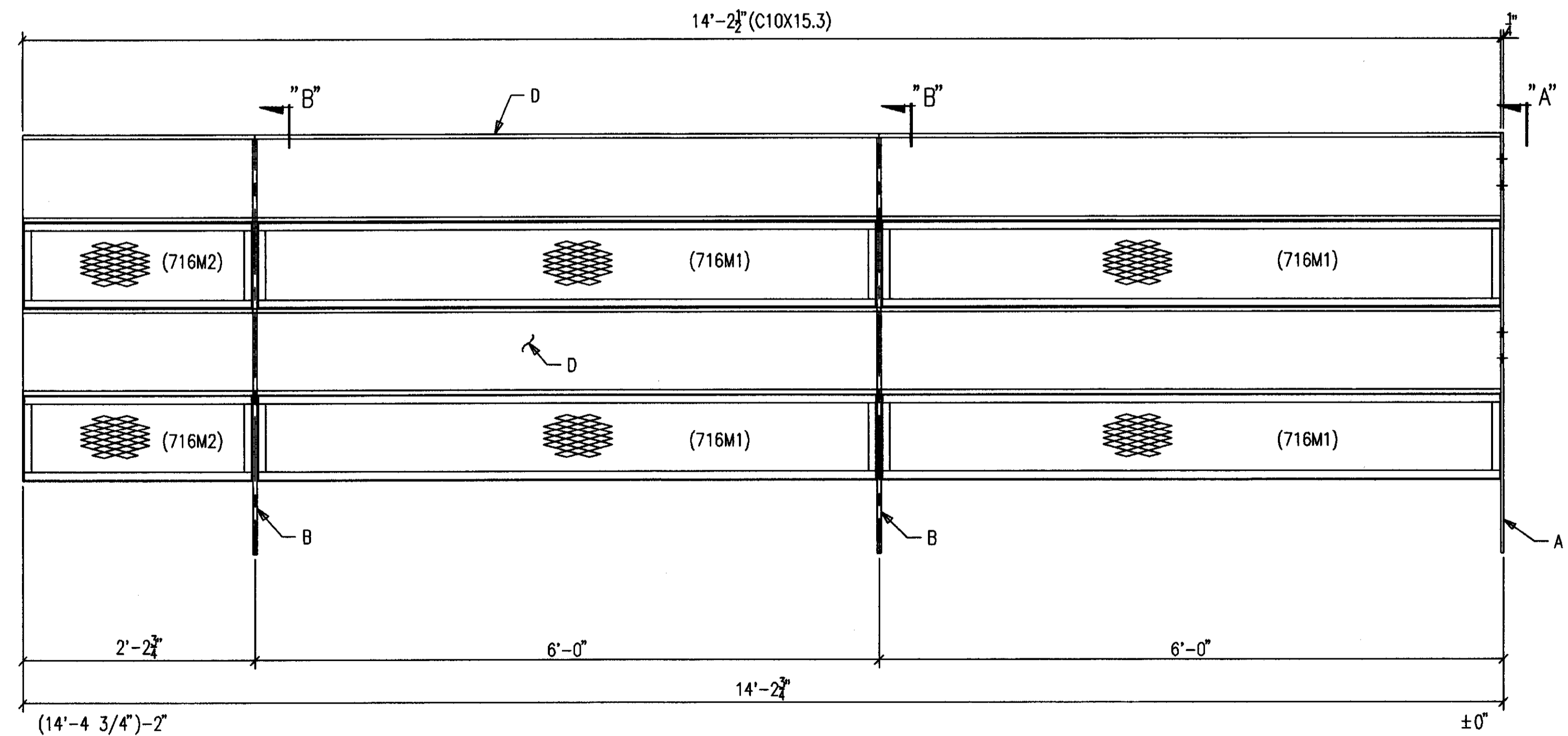
112-H/R PANELS 716M1  
(SHOP ATTACH)



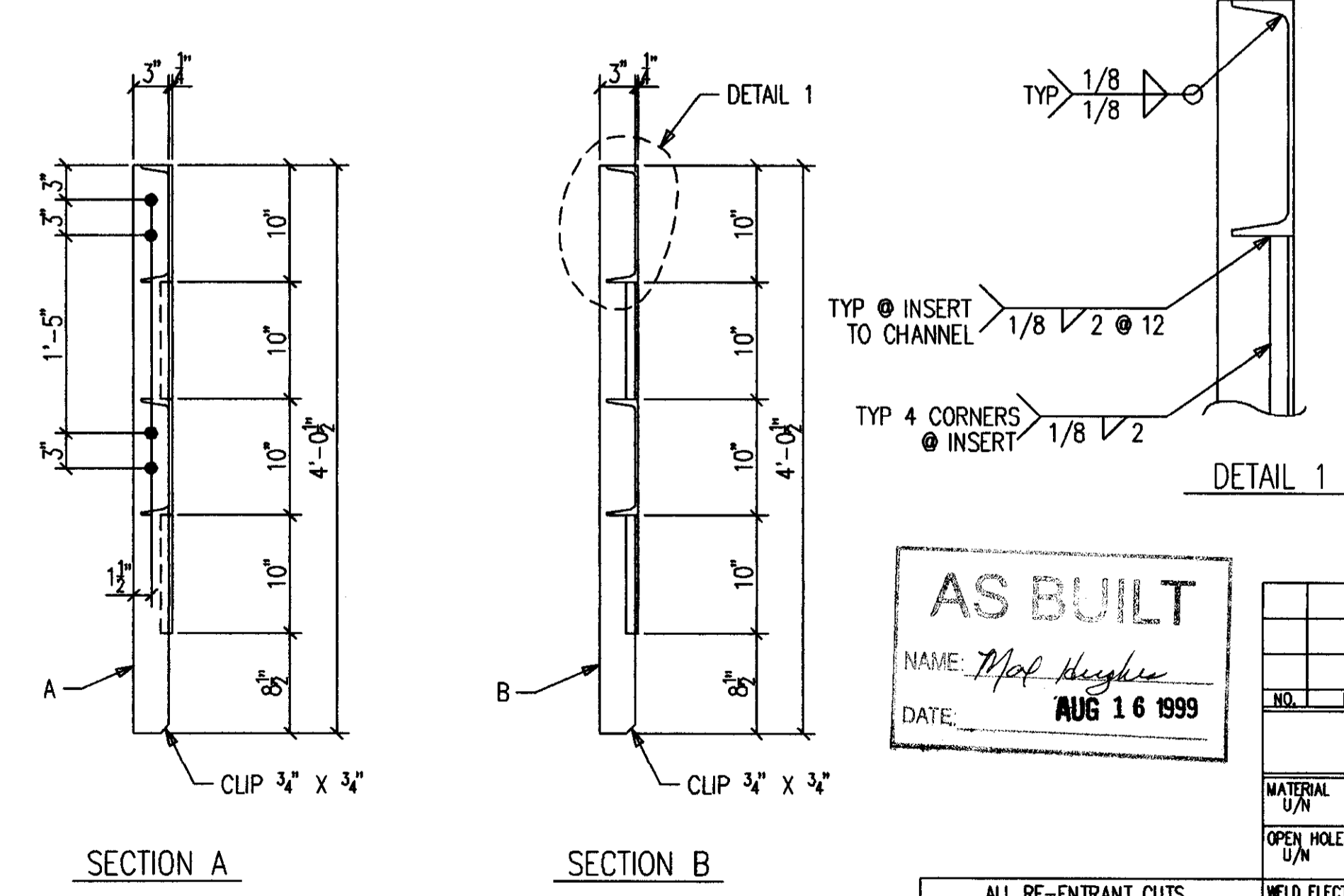
8-H/R PANELS 716M2  
(SHOP ATTACH)



2-HANDRAILS 716H1  
8-A325 3/4 X 1 3/4 F1228A



2-HANDRAILS 716H2 R [AS SHOWN]  
2-HANDRAILS 716H2 L [OPP HAND]  
8-A325 3/4 X 1 3/4 F1228A



**AS BUILT**  
NAME: *M. Hughes*  
DATE: **AUG 16 1999**

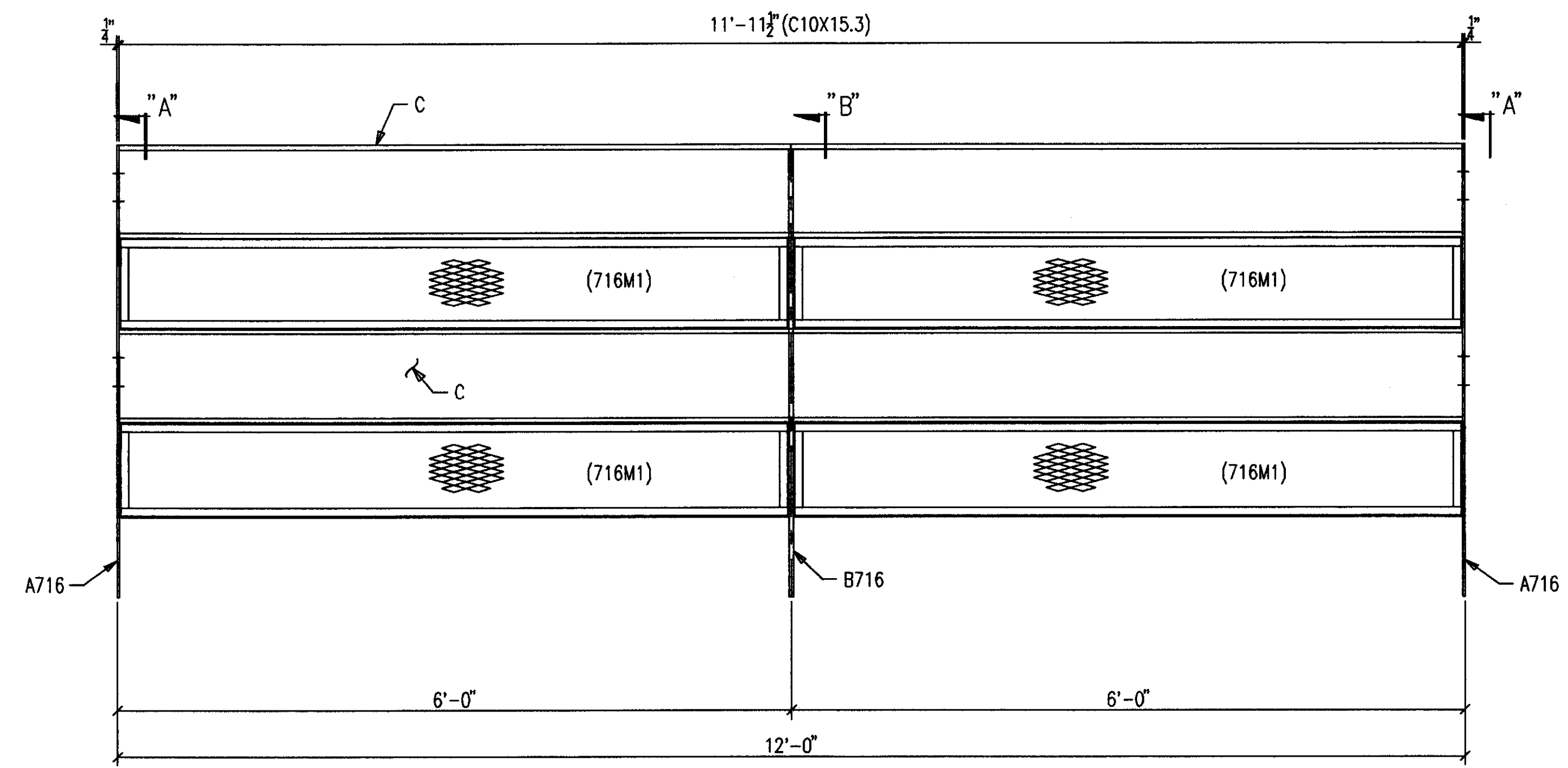
ALL RE-ENTRANT CUTS MIN. 1/2" RAD. U/N	WELD ELECTRODE U/M E70XX	CHECKED BY	CONTRACTOR	TURNER CONSTRUCTION COMPANY
ALL A325 BOLTS W/ONE HARD WASH. AND HVY HEX NUT	SHOP PAINT SEE SPECS	DATE	ENGINEER	WALTER P. MOORE
ALL A307 BOLTS W/HEX NUT	DRAWING TITLE	HANDRAIL @ UPPER CONCOURSE		

2044 BUCK LANE  
LEXINGTON, KENTUCKY 40511  
PHONE: 606-233-4344 FAX: 606-233-4346

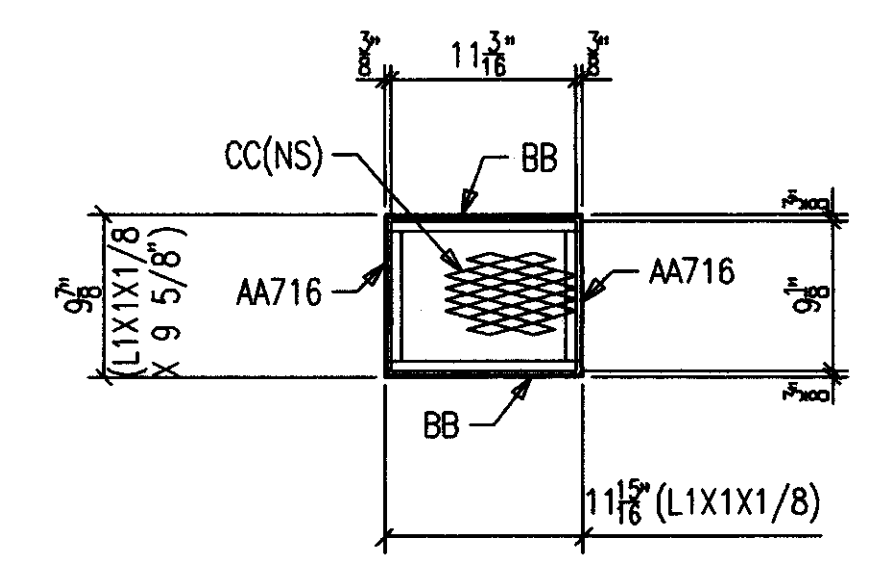
ORDER NO. P3524  
SHEET NO. 716

BILL OF MATERIAL

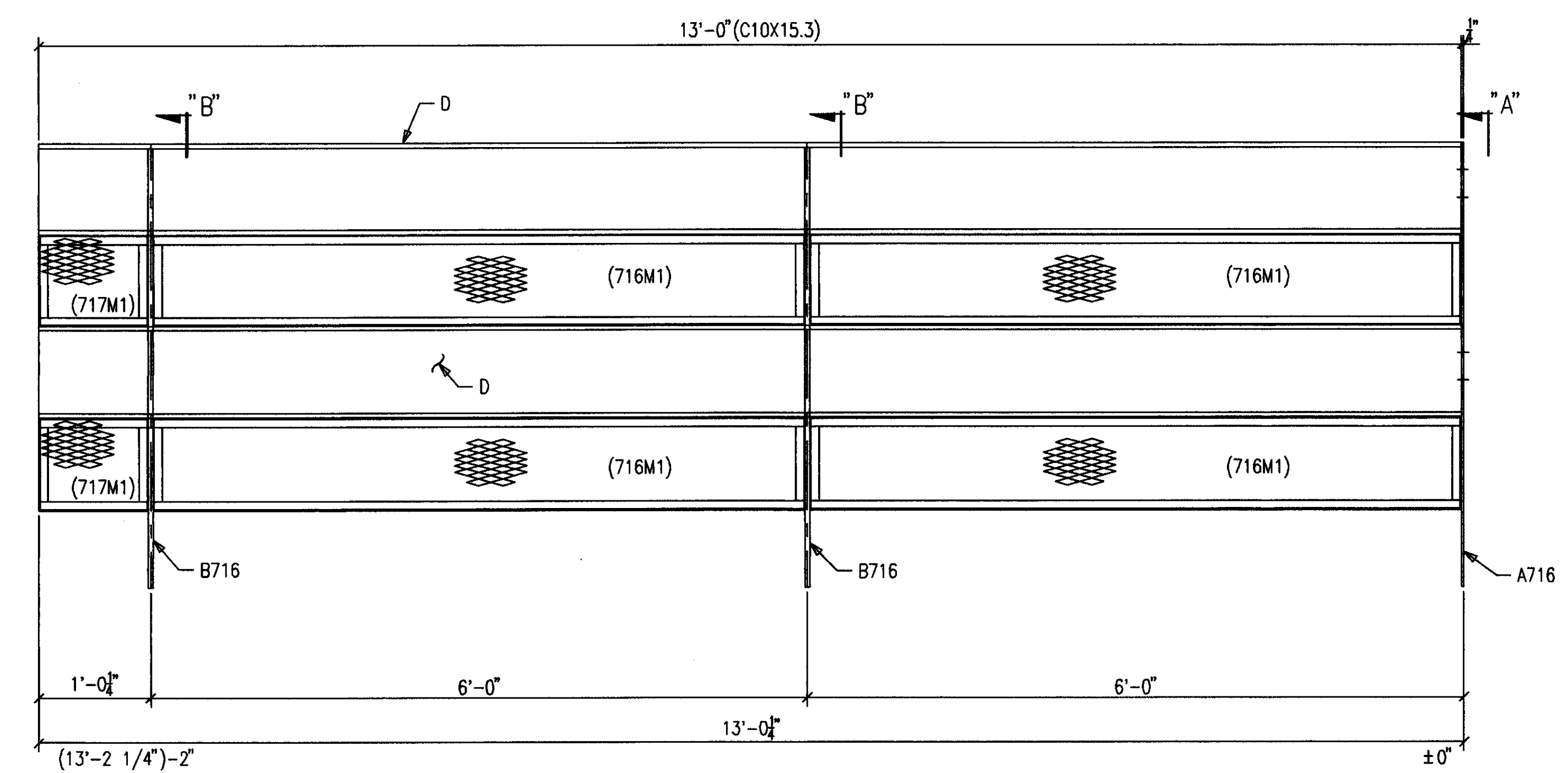
SHIP MARK SUB MARK	NO. PCS.	DESCRIPTION	LENGTH		C L I S T	REMARKS
			FT.	IN.		
717H1	2	HANDRAILS				
A716	4	FB1/4X3	4	0-1/2		P
B716	2	FB1/2X3	4	0-1/2		SHAPE
C717	4	C10X15.3	11	11-1/2		SC2E
717H2 L	2	HANDRAILS				
A716	2	FB1/4X3	4	0-1/2		P
B716	4	FB1/2X3	4	0-1/2		SHAPE
D717	4	C10X15.3	13	0		SC2E
717H2 R	2	HANDRAILS				
A716	2	FB1/4X3	4	0-1/2		P
B716	4	FB1/2X3	4	0-1/2		SHAPE
D717	4	C10X15.3	13	0		SC2E
717M1	8	HR PANELS (SHOP ATT)				
AA716	16	L1X1X1/8	0	9-5/8		CTF
BB717	16	L1X1X1/8	0	11-15/16		
CC717	8	XPAN MTL 1-1/2-9 X 9-1/8	0	11-3/16		FLAT/GALV
		FIELD BOLTS				
F1228A	17	A325 3/4X1-3/4				



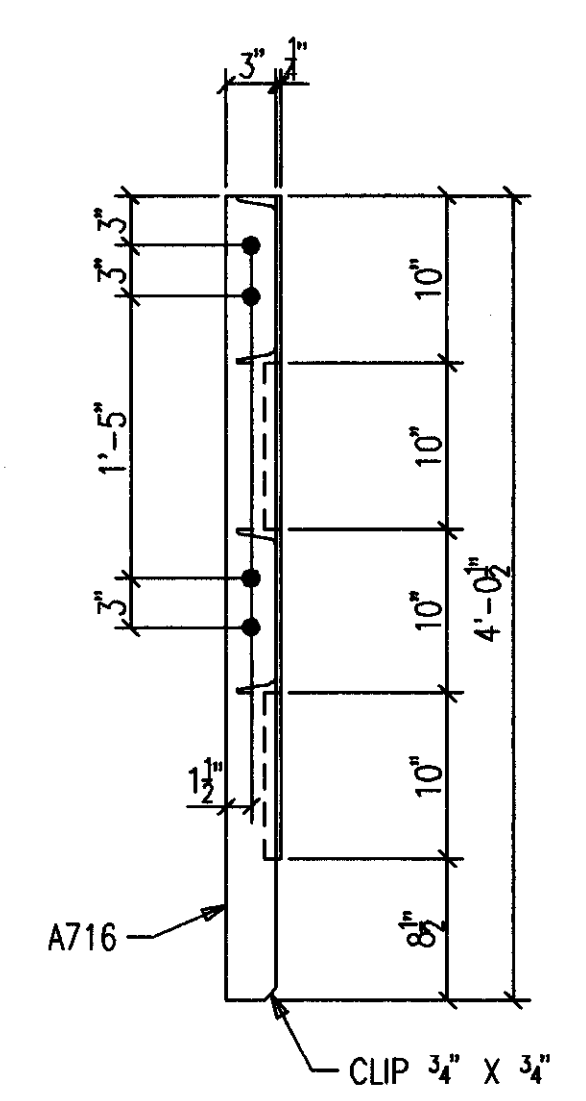
2-HANDRAILS 717H1  
8-A325 3/4 X 1 3/4 F1228A



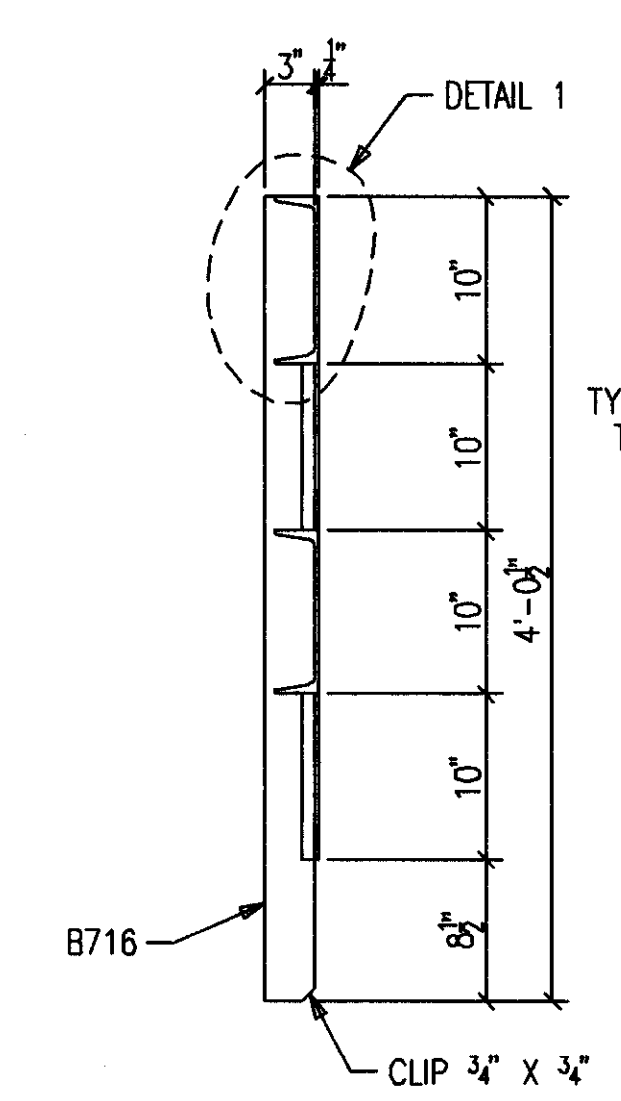
8-H/R PANELS 717M1  
(SHOP ATTACH)



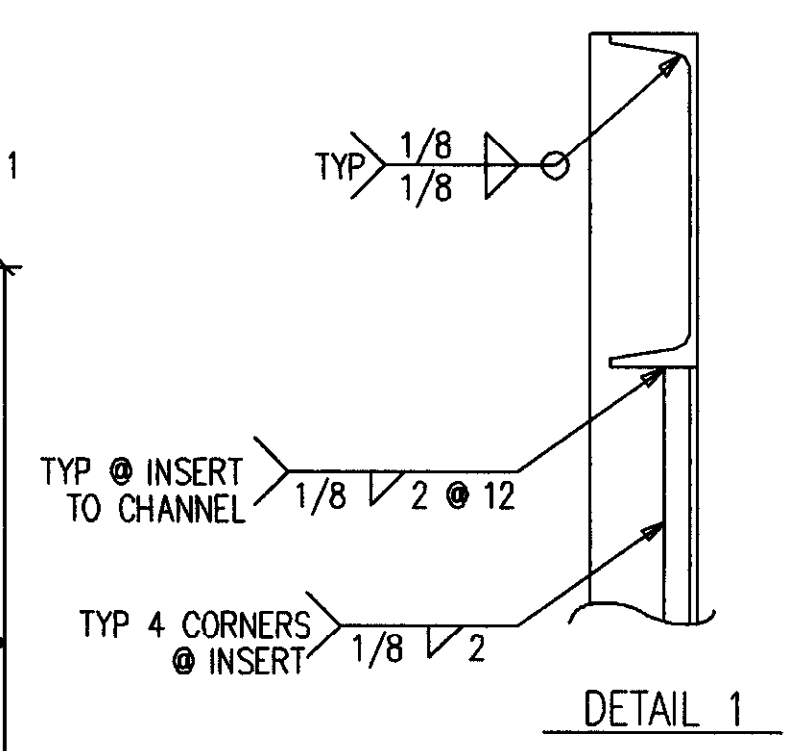
2-HANDRAILS 717H2 R [AS SHOWN]  
2-HANDRAILS 717H2 L [OPP HAND]  
8-A325 3/4 X 1 3/4 F1228A



SECTION A



SECTION B



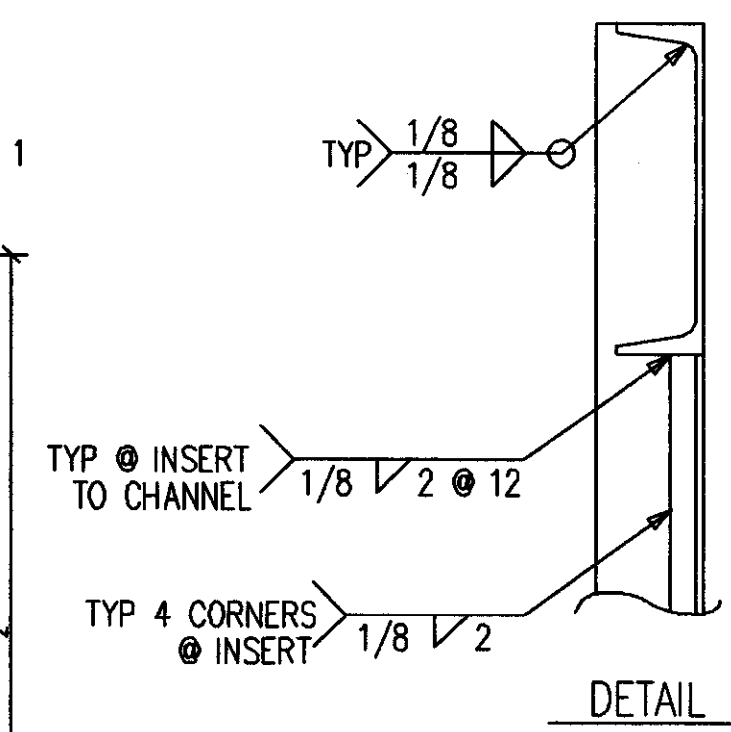
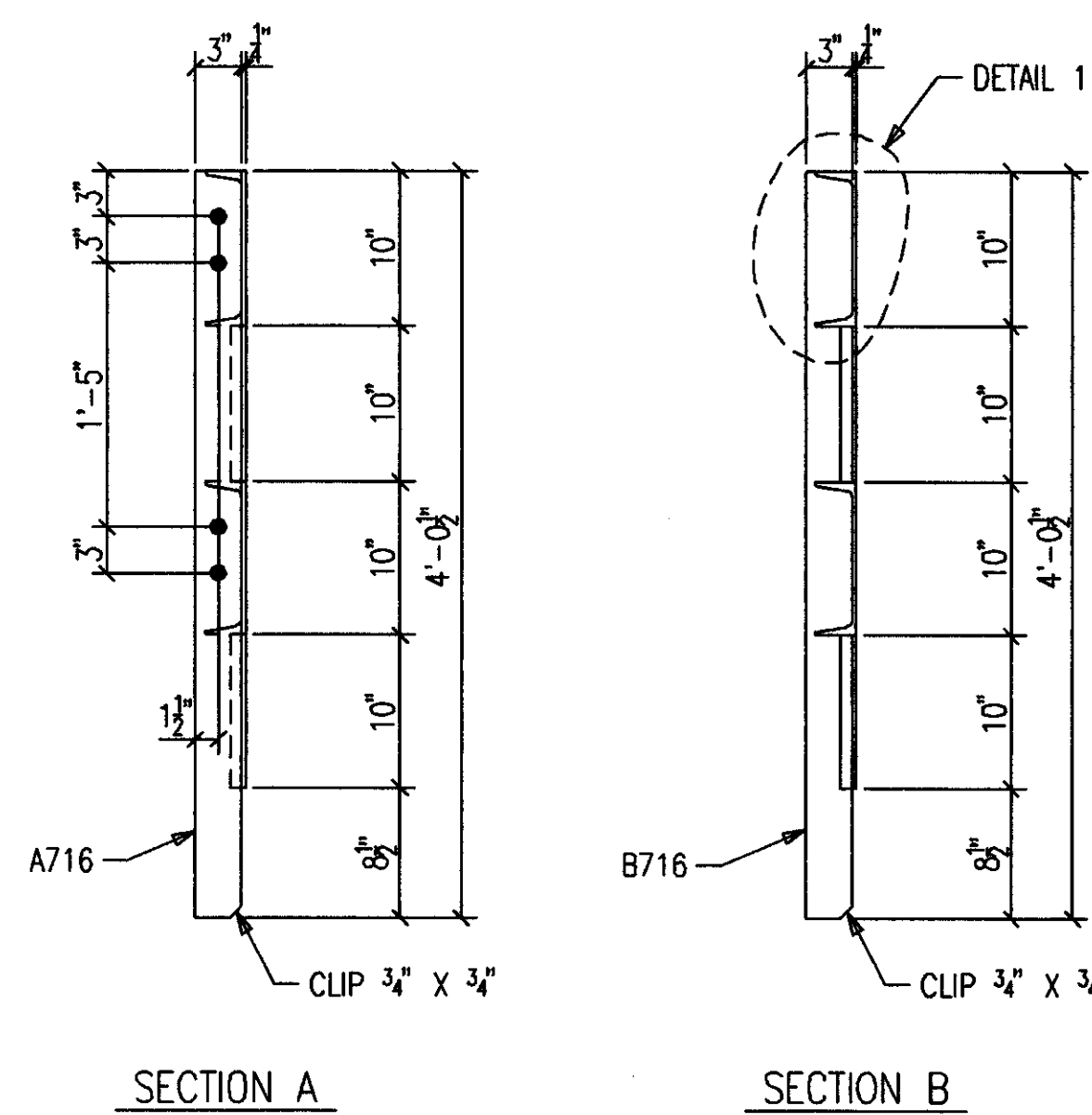
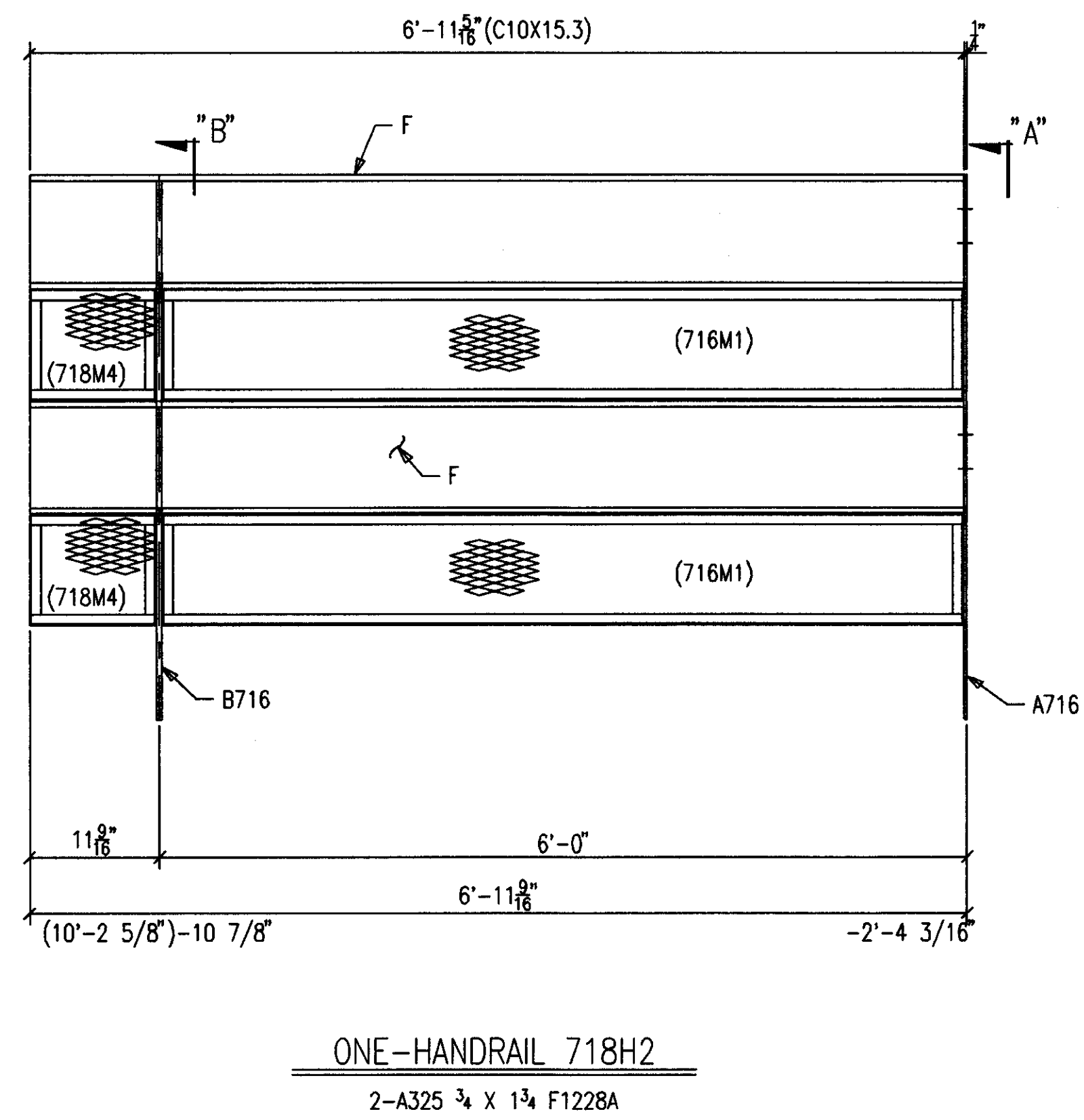
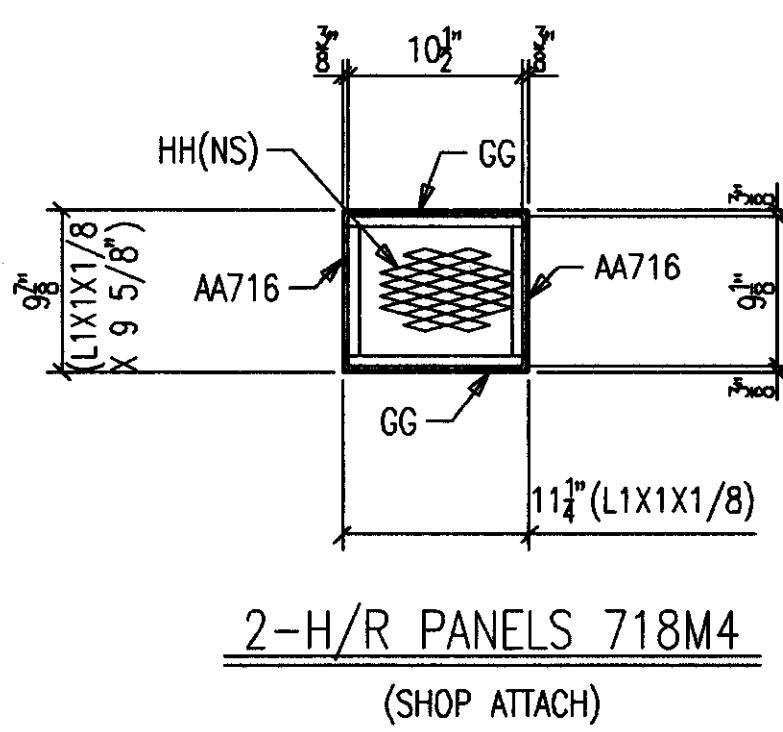
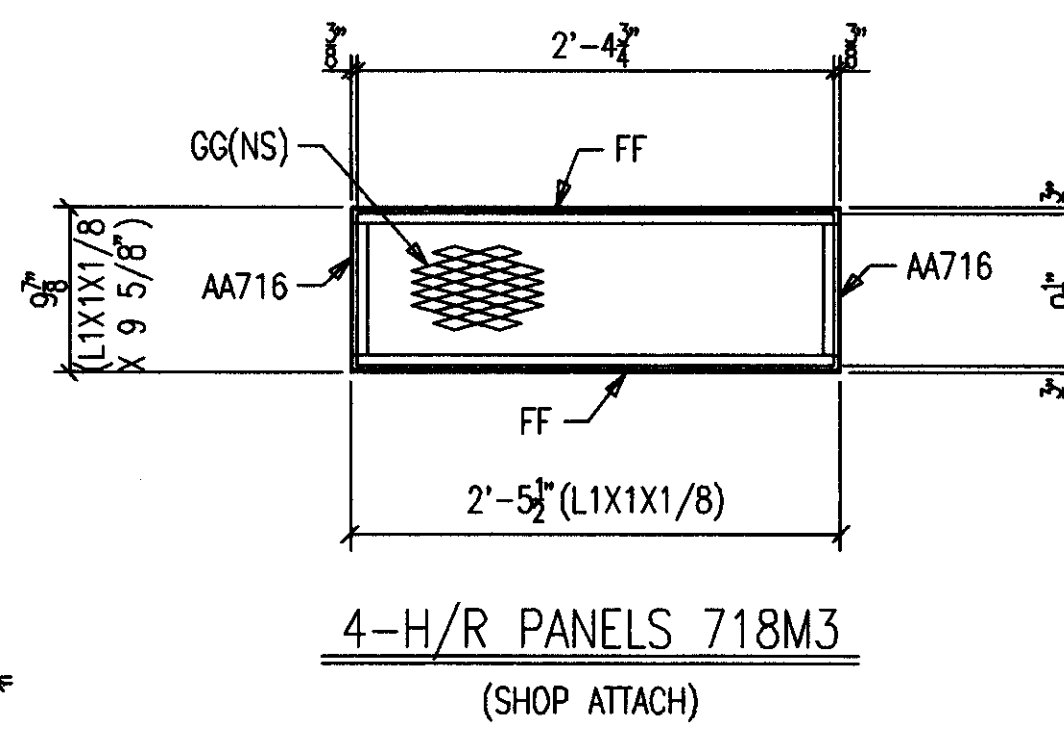
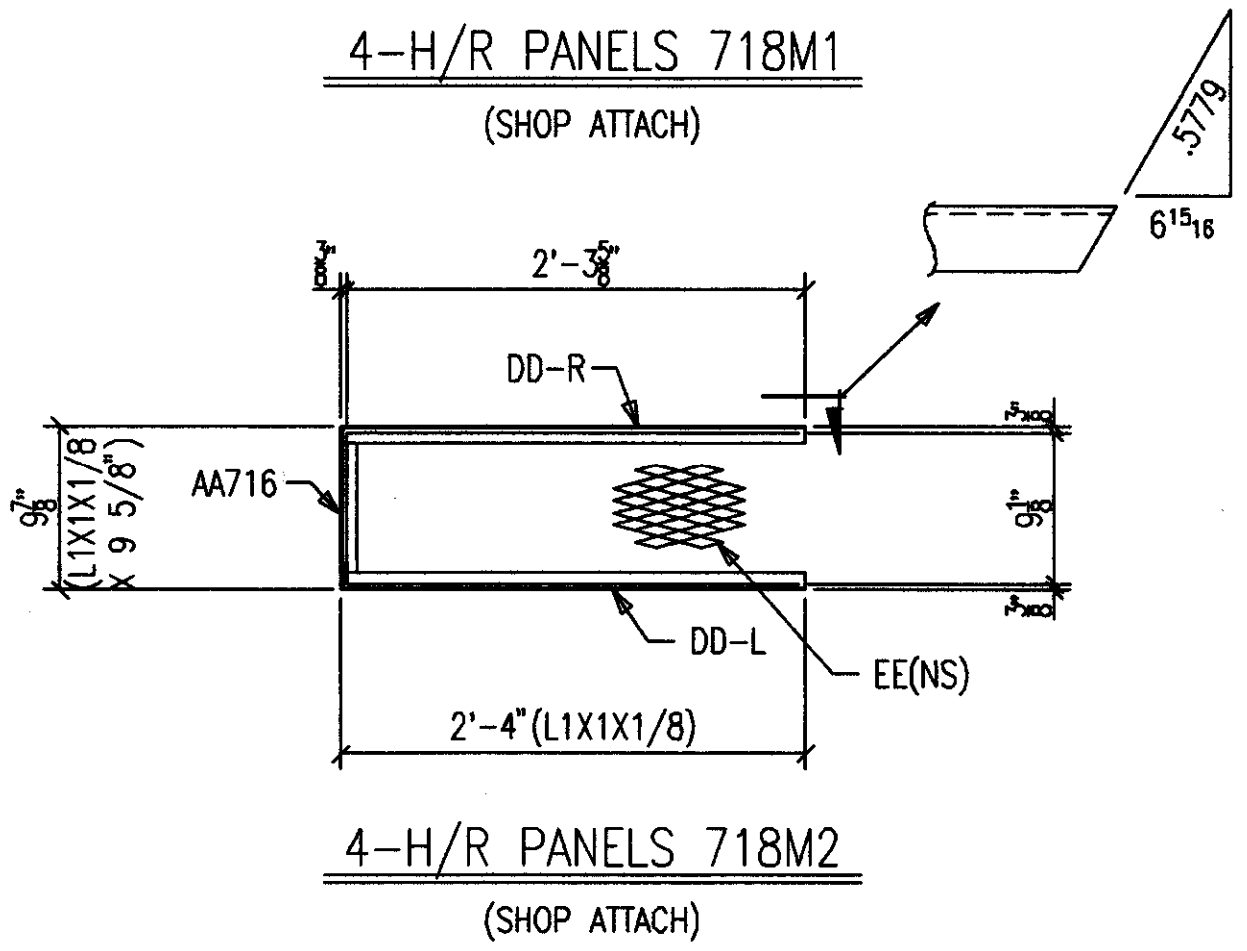
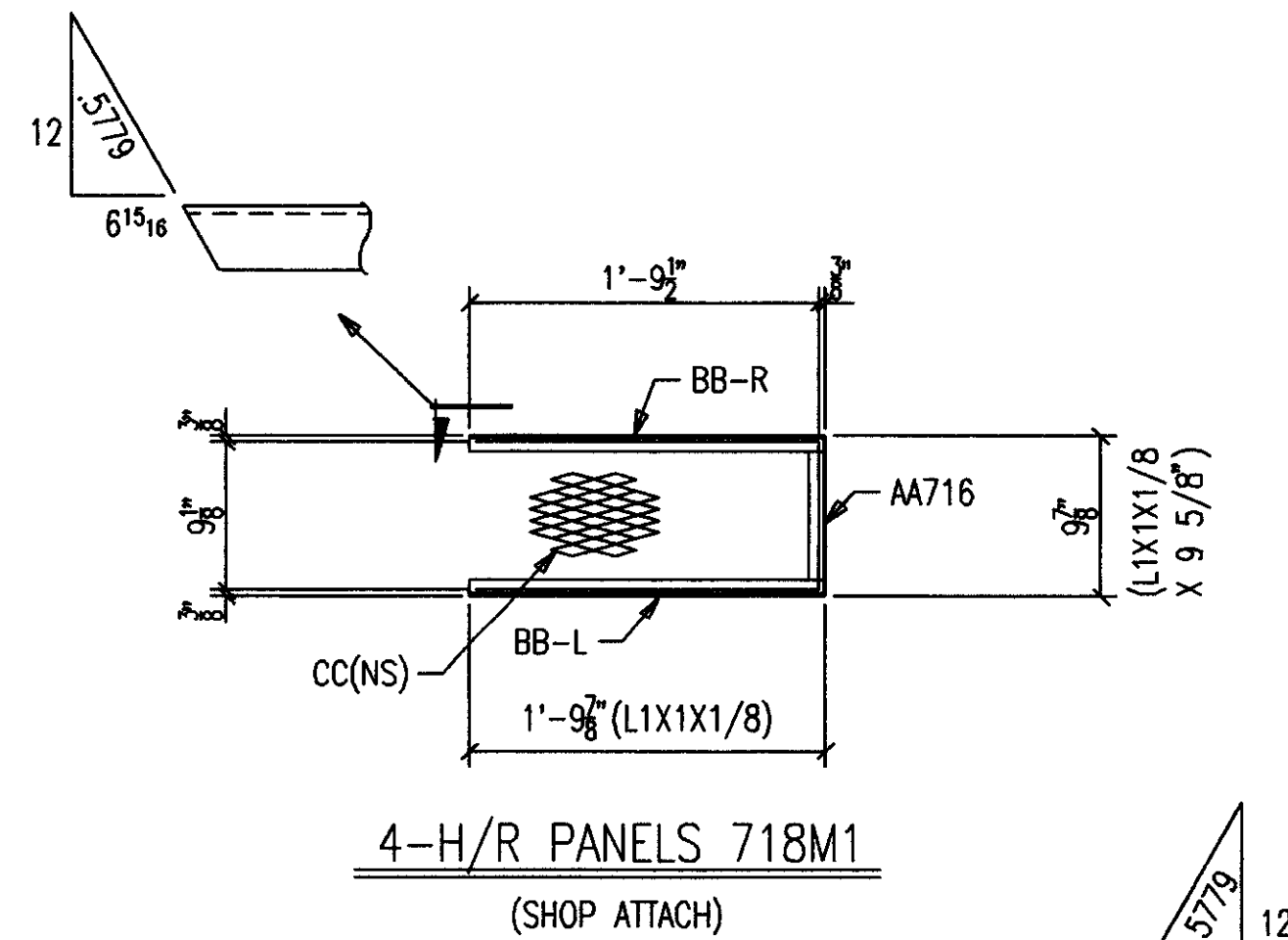
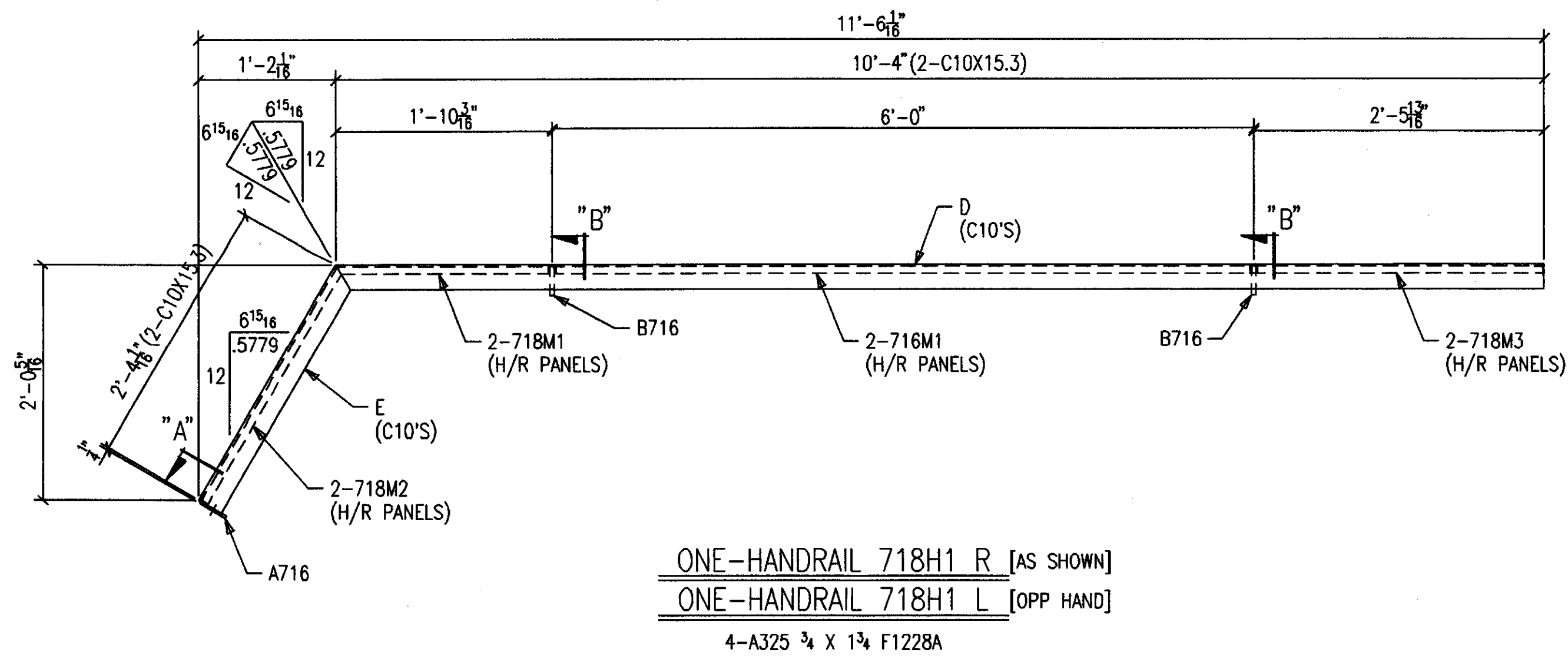
AS BUILT  
NAME: *Map Hughes*  
DATE: AUG 16 1999

ALL RE-ENTRANT CUTS MIN. 1/2" RAD. U/N		WELD ELECTRODE U/N E70XX	
ALL A325 BOLTS w/ONE HARD WASH. AND HVY HEX NUT		SHOP PAINT SEE SPECS	
ALL A307 BOLTS w/HEX NUT		DRAWING TITLE HANDRAIL @ UPPER CONCOURSE	
DATE	APP	SHOP	FIELD

MATERIAL U/N A36	DRAWN BY SC	JOB NAME COMMONWEALTH STADIUM EXPANSION
OPEN HOLES U/N 13/16" ∅	DATE 4/99	JOB LOCATION UNIVERSITY OF KENTUCKY
CONTRACTOR TURNER CONSTRUCTION COMPANY		ENGINEER WALTER P. MOORE

2044 BUCK LANE  
LEXINGTON, KENTUCKY 40511  
PHONE: 606-233-4344 FAX: 606-233-4346

ORDER NO. P3524  
SHEET NO. 717



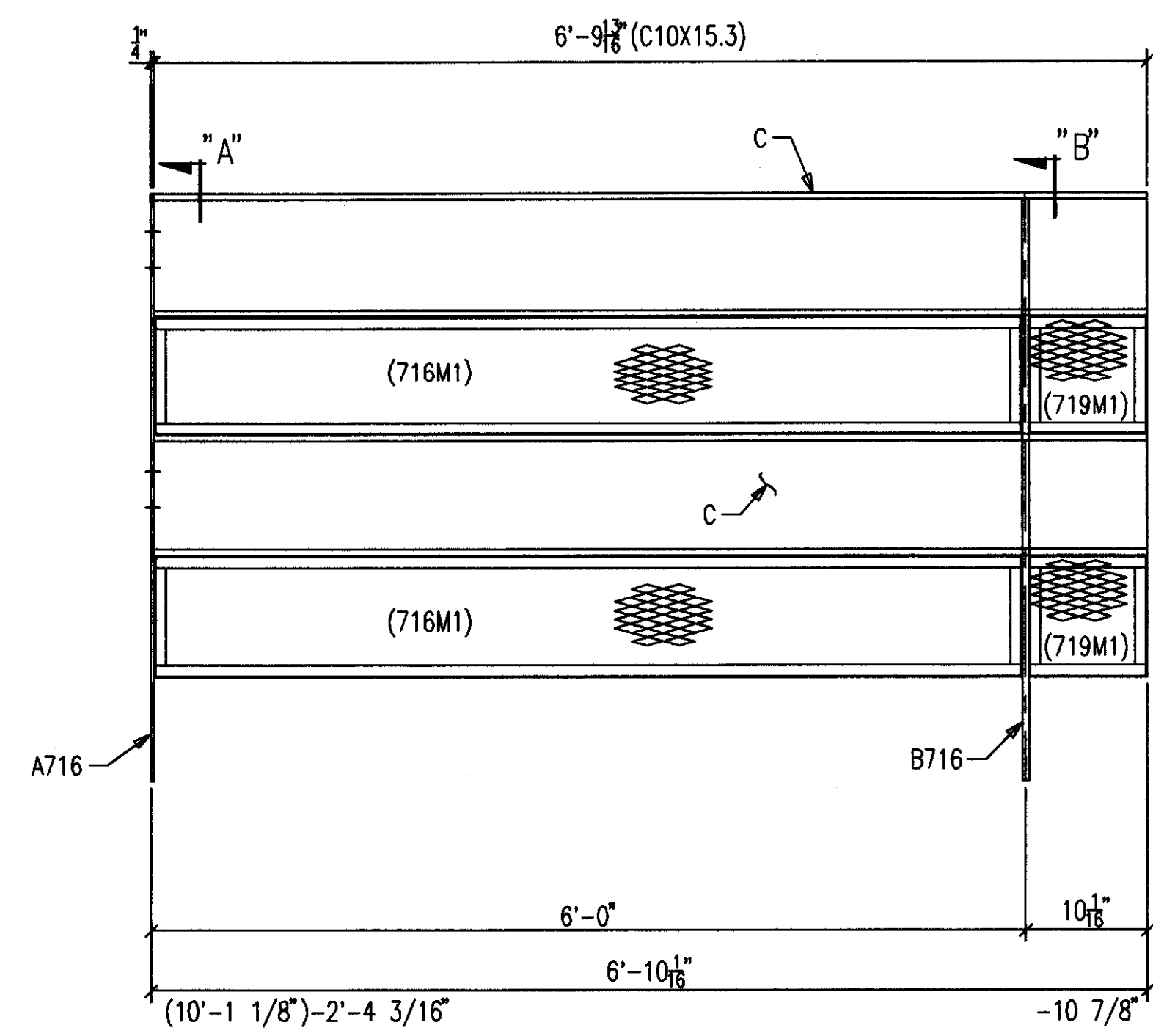
BILL OF MATERIAL

SHIP MARK SUB MARK	NO. PCS.	DESCRIPTION	LENGTH		CL U T	REMARKS
			FT.	IN.		
718H1 L	ONE	HANDRAIL				
A716	1	FB1/4X3	4	0-1/2		P
B716	2	FB1/2X3	4	0-1/2		SHAPE
D718	2	C10X15.3	10	4		BC1E
E718	2	C10X15.3	2	4-1/16		BC/SC1E
718H1 R	ONE	HANDRAIL				
A716	1	FB1/4X3	4	0-1/2		P
B716	2	FB1/2X3	4	0-1/2		SHAPE
D718	2	C10X15.3	10	4		BC1E
E718	2	C10X15.3	2	4-1/16		BC/SC1E
718H2	ONE	HANDRAIL				
A716	1	FB1/4X3	4	0-1/2		P
B716	1	FB1/2X3	4	0-1/2		SHAPE
F718	2	C10X15.3	6	11-5/16		SC2E
718M1	4	HR PANELS (SHOP ATT)				
AA716	4	L1X1X1/8	0	9-5/8		CTF
BB718 L	4	L1X1X1/8	1	9-7/8		BC1E
BB718 R	4	L1X1X1/8	1	9-7/8		BC1E
CC718	4	XPAN MTL 1-1/2-9 X 9-1/8	1	9-1/2		FLAT/GALV
718M2	4	HR PANELS (SHOP ATT)				
AA716	4	L1X1X1/8	0	9-5/8		CTF
DD718 L	4	L1X1X1/8	2	4		BC1E
DD718 R	4	L1X1X1/8	2	4		BC1E
EE718	4	XPAN MTL 1-1/2-9 X 9-1/8	2	3-5/8		FLAT/GALV
718M3	4	HR PANELS (SHOP ATT)				
AA716	8	L1X1X1/8	0	9-5/8		CTF
FF718	8	L1X1X1/8	2	5-1/2		
GG718	4	XPAN MTL 1-1/2-9 X 9-1/8	2	4-3/4		FLAT/GALV
718M4	2	HR PANELS (SHOP ATT)				
AA716	4	L1X1X1/8	0	9-5/8		CTF
GG716	4	L1X1X1/8	0	11-1/4		
HH716	2	XPAN MTL 1-1/2-9 X 9-1/8	0	10-1/2		FLAT/GALV
		FIELD BOLTS				
F1228A	7	A325 3/4X1-3/4				

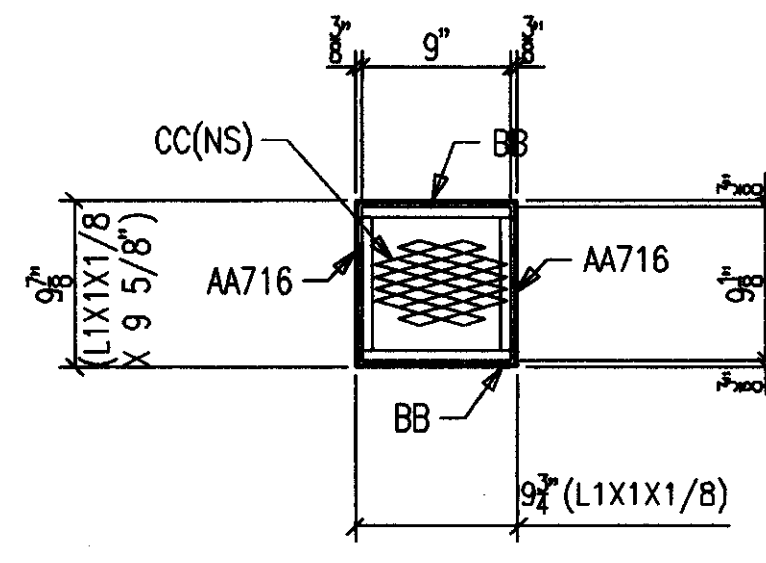
**AS BUILT**  
 NAME: *Max Beigher*  
 DATE: **AUG 16 1999**

NO.	DATE	REVISION DESCRIPTION	DNW L CRO
CONTRACTOR TO CHECK ALL DIMENSIONS AT JOB AS MID STATES STEEL PRODUCTS CO. ASSUMES NO RESPONSIBILITY FOR GENERAL BUILDING DIMENSIONS. NO BACK CHARGES PERTAINING TO THIS WORK WILL BE ACCEPTED WITHOUT PRIOR AUTHORIZATION BY MID STATES STEEL PRODUCTS CO.			
MATERIAL U/N	A36	DRAWN BY	SC
OPEN HOLES U/N	13/16" Ø	DATE	4/99
WELD ELECTRODE U/N	E70XX	CHECKED BY	CONTRACTOR
SHOP PAINT	SEE SPECS	DATE	ENGINEER
ALL RE-ENTRANT CUTS MIN. 1/2" RAD. U/N		JOB NAME	
ALL A325 BOLTS w/ONE HARD WASH. AND HVY HEX NUT		COMMONWEALTH STADIUM EXPANSION	
ALL A307 BOLTS w/HEX NUT		JOB LOCATION	
		UNIVERSITY OF KENTUCKY	
DRAWING TITLE		CONTRACTOR	
HANDRAIL @ UPPER CONCOURSE		TURNER CONSTRUCTION COMPANY	
DATE		ENGINEER	
		WALTER P. MOORE	
2044 BUCK LANE LEXINGTON, KENTUCKY 40511 PHONE: 606-233-4344 FAX: 606-233-4346		ORDER NO.	
MID STATES STEEL PRODUCTS CO. FABRICATORS OF STRUCTURAL AND MISCELLANEOUS STEEL		P3524	
		SHEET NO.	718

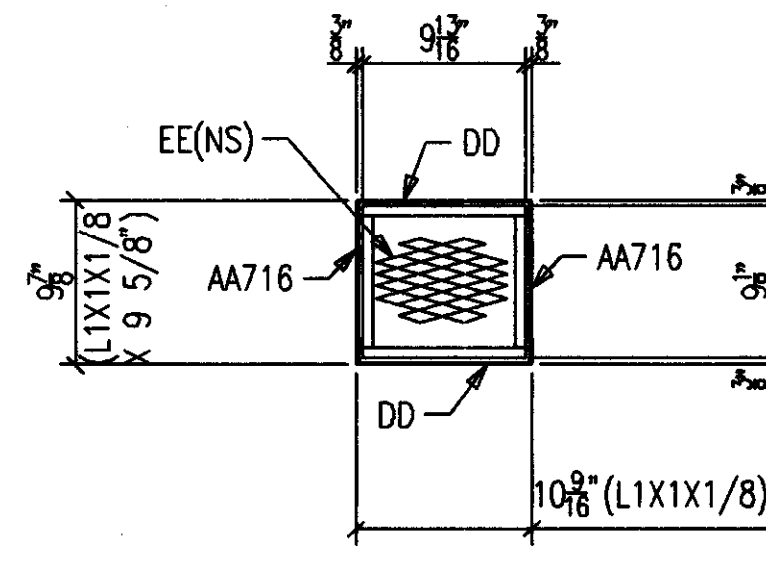




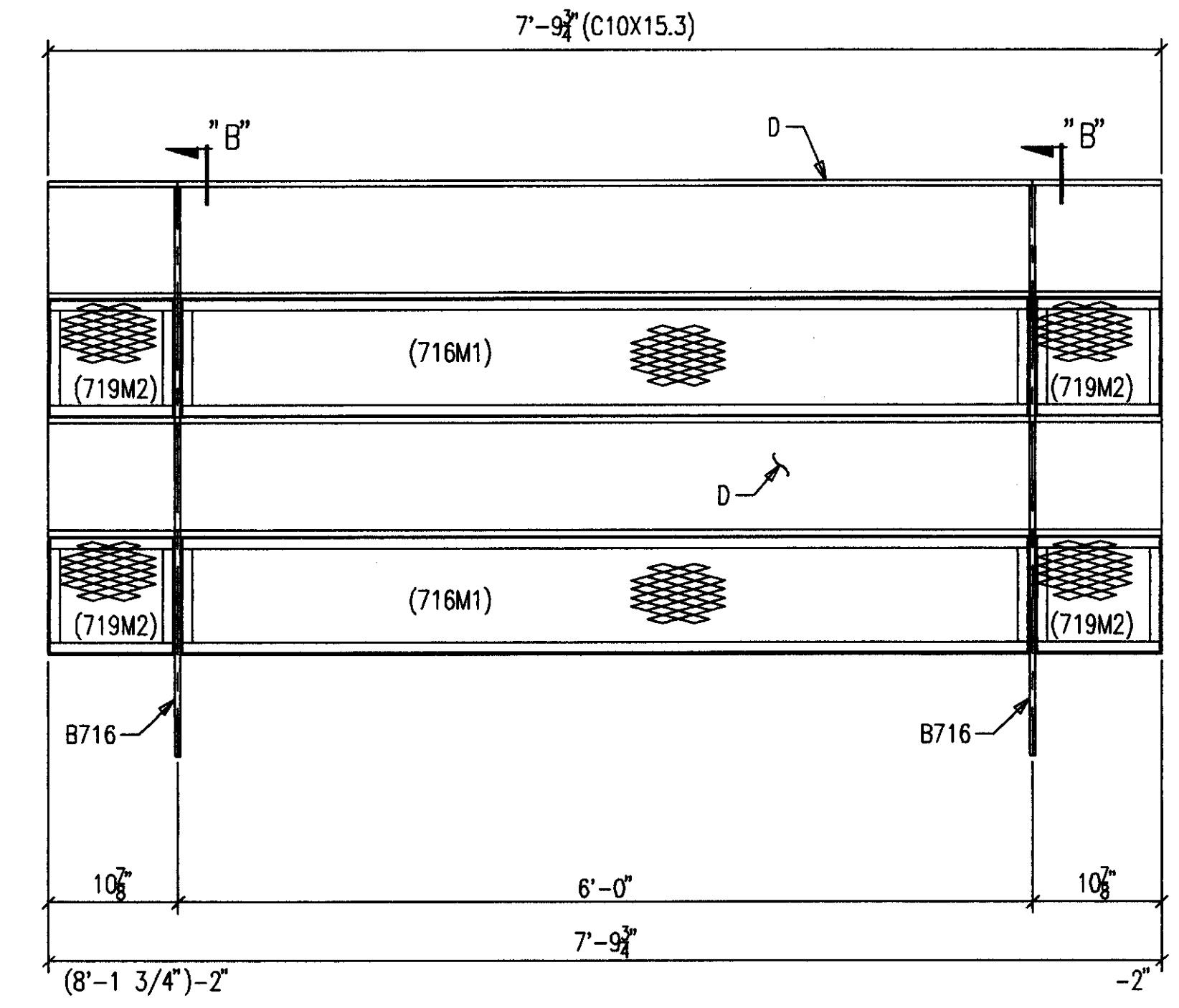
ONE-HANDRAIL 719H1  
2-A325 3/4 X 1 3/4 F1228A



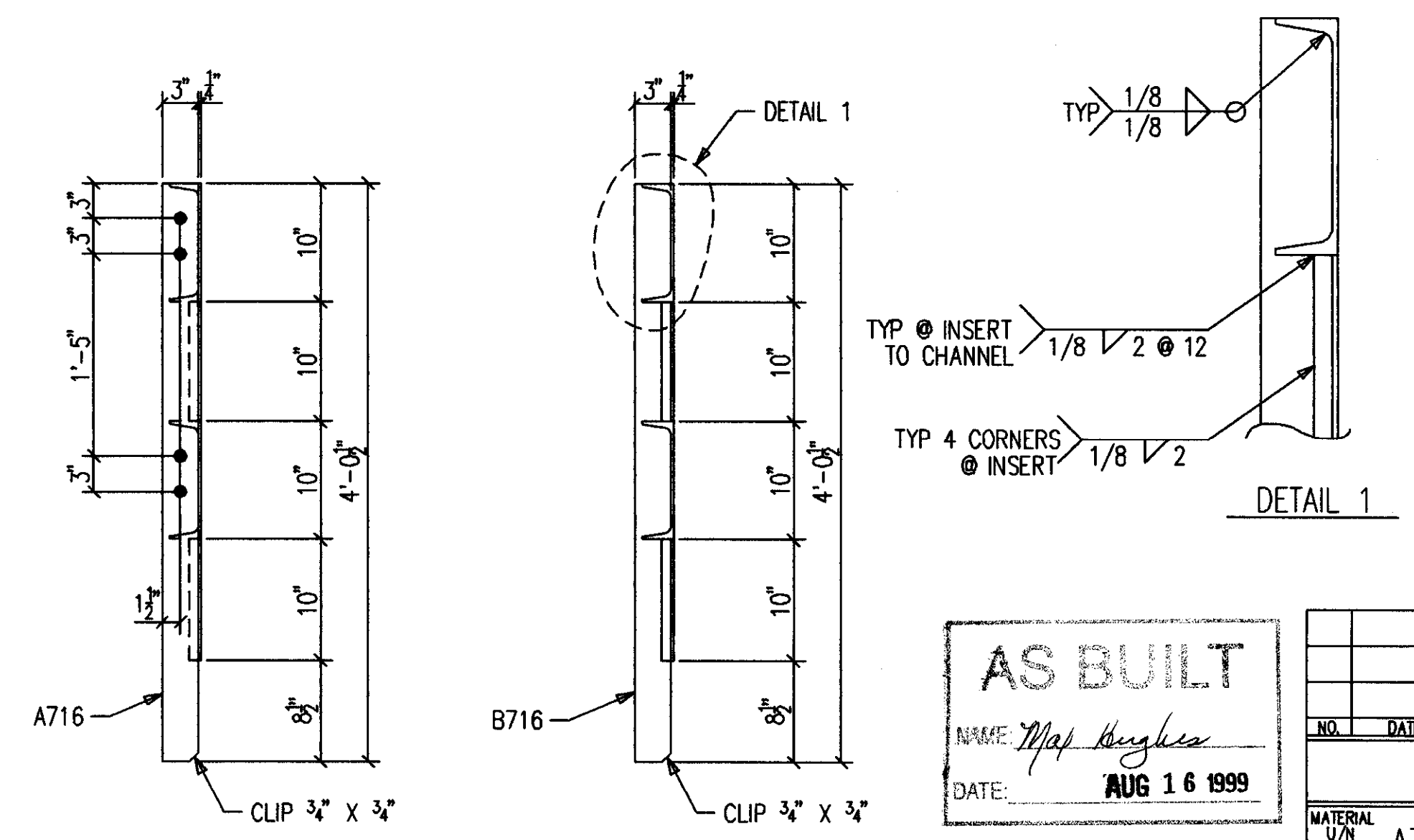
2-H/R PANELS 719M1  
(SHOP ATTACH)



2-H/R PANELS 719M2  
(SHOP ATTACH)



ONE-HANDRAIL 719H2



SECTION A

SECTION B

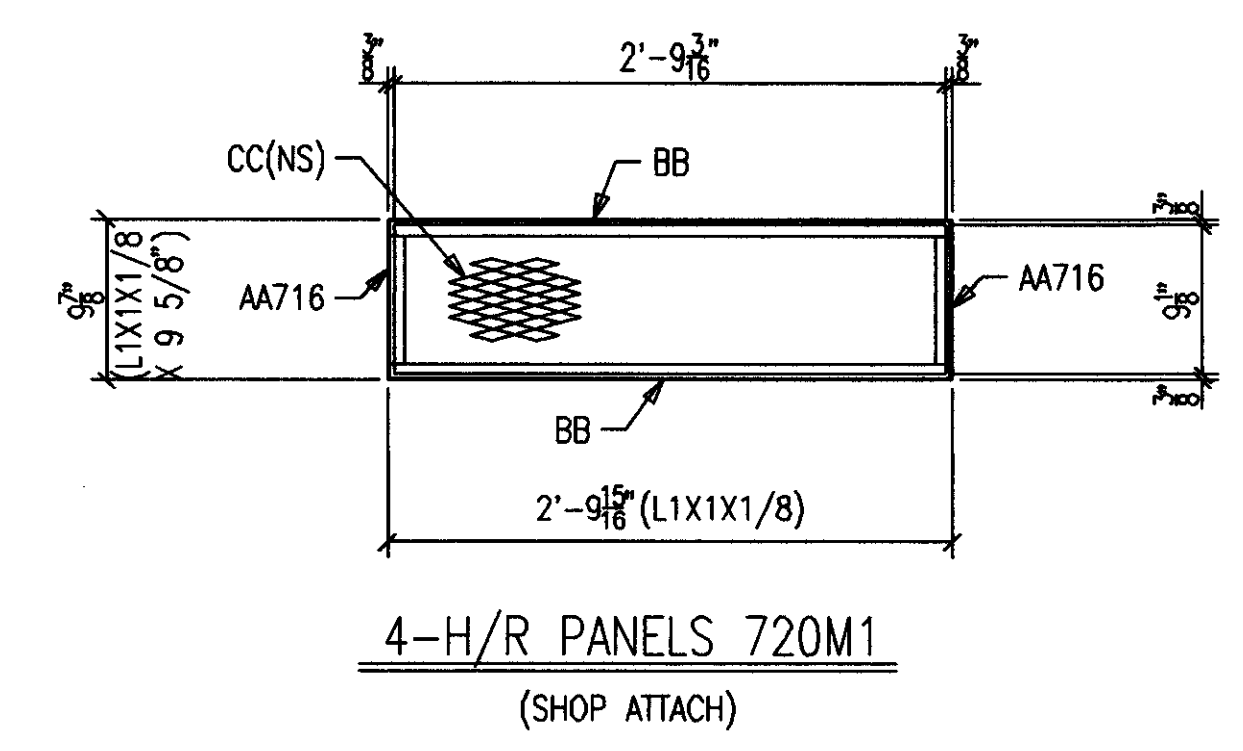
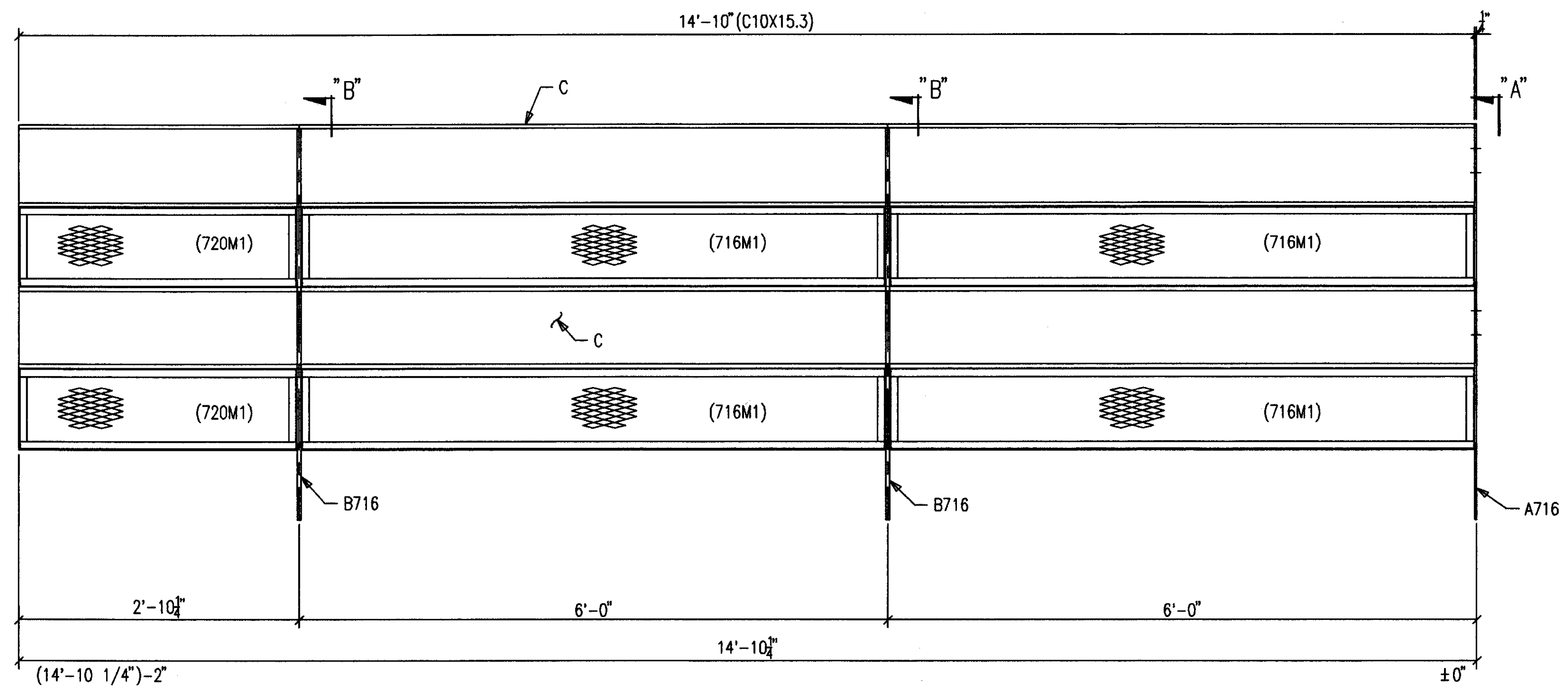
**AS BUILT**  
NAME: *Map Hughes*  
DATE: **AUG 16 1999**

BILL OF MATERIAL						
SHIP MARK SUB MARK	NO. PCS.	DESCRIPTION	LENGTH		CL LIST	REMARKS
			FT.	IN.		
719H1	ONE	HANDRAIL				
A716	1	FB1/4X3	4	0-1/2		P
B716	1	FB1/2X3	4	0-1/2		SHAPE
C719	2	C10X15.3	6	9-13/16		SC2E
719H2	ONE	HANDRAIL				
B716	2	FB1/2X3	4	0-1/2		SHAPE
D719	2	C10X15.3	7	9-3/4		
719M1	2	HR PANELS (SHOP ATT)				
AA716	4	L1X1X1/8	0	9-5/8		CTF
BB719	4	L1X1X1/8	0	9-3/4		
CC719	2	XPAN MTL 1-1/2-9 X 9-1/8	0	9		FLAT/GALV
719M2	2	HR PANELS (SHOP ATT)				
AA716	4	L1X1X1/8	0	9-5/8		CTF
DD719	4	L1X1X1/8	0	10-9/16		
EE719	2	XPAN MTL 1-1/2-9 X 9-1/8	0	9-13/16		FLAT/GALV
		FIELD BOLTS				
F1228A	3	A325 3/4X1-3/4				

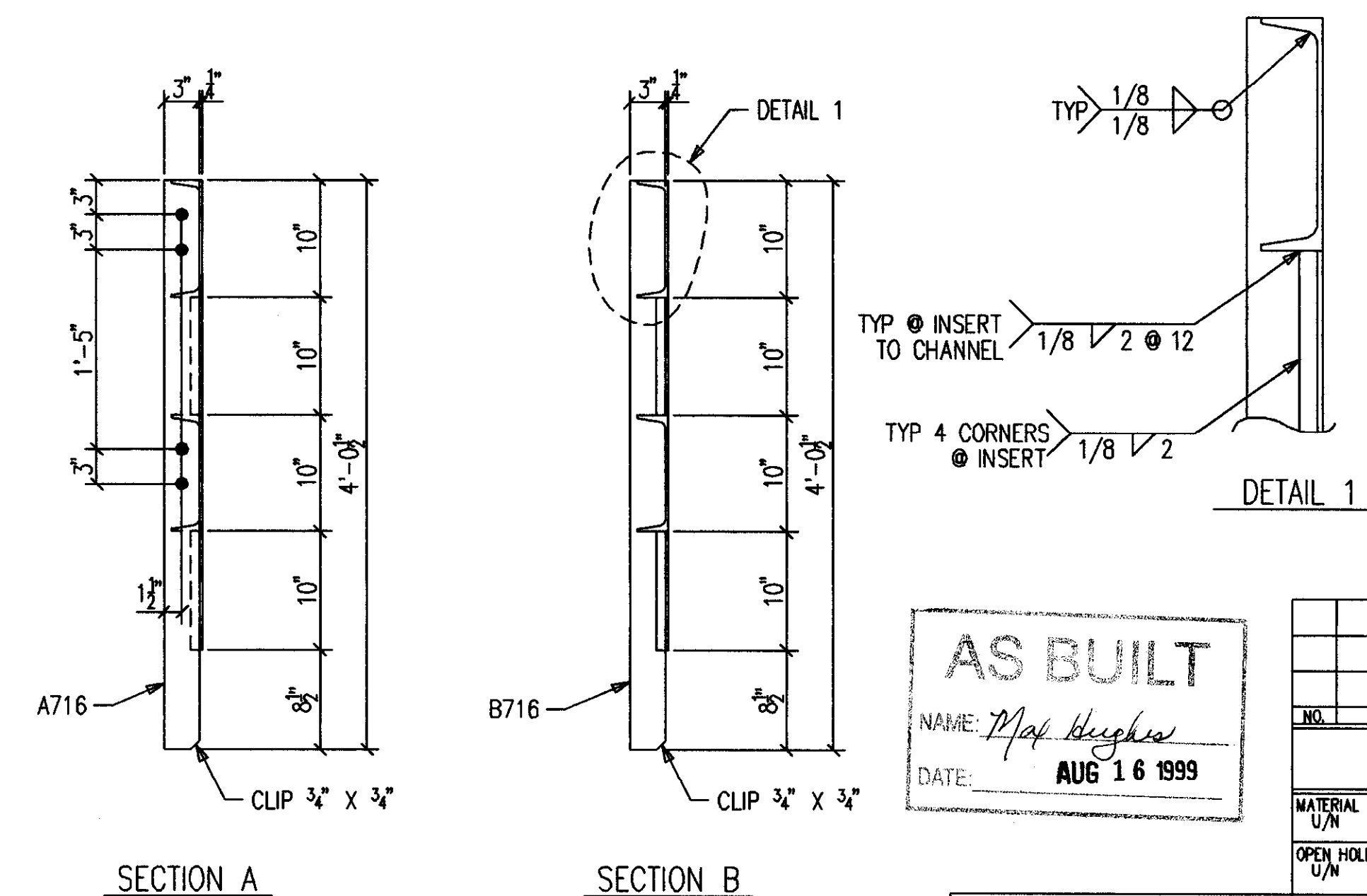
NO. DATE		REVISION DESCRIPTION		DNW LCKD	
CONTRACTOR TO CHECK ALL DIMENSIONS AT JOB AS MID STATES STEEL PRODUCTS CO. ASSUMES NO RESPONSIBILITY FOR GENERAL BUILDING DIMENSIONS. NO BACK CHARGES PERTAINING TO THIS WORK WILL BE ACCEPTED WITHOUT PRIOR AUTHORIZATION BY MID STATES STEEL PRODUCTS CO.					
MATERIAL U/M	A36	DRAWN BY	SC	JOB NAME	COMMONWEALTH STADIUM EXPANSION
OPEN HOLES U/M	13/16" Ø	DATE	4/99	JOB LOCATION	UNIVERSITY OF KENTUCKY
WELD ELECTRODE U/M	E70XX	CHECKED BY		CONTRACTOR	TURNER CONSTRUCTION COMPANY
SHOP PAINT	SEE SPECS	DATE		ENGINEER	WALTER P. MOORE
ALL A325 BOLTS w/ONE HARD WASH. AND HVY HEX NUT		DRAWING TITLE			HANDRAIL @ UPPER CONCOURSE
ALL A307 BOLTS w/HEX NUT		2044 BUCK LANE LEXINGTON, KENTUCKY 40511 PHONE: 606-233-4344 FAX: 606-233-4346			ORDER NO. P3524
DATE	APP	SHOP	FIELD	SHEET NO. 719	

BILL OF MATERIAL

SHIP MARK SUB MARK	NO. PCS.	DESCRIPTION	LENGTH		REMARKS
			FT.	IN.	
720H1 L	ONE	HANDRAIL			
A716	1	FB1/4X3	4	0-1/2	P
B716	2	FB1/2X3	4	0-1/2	SHAPE
C720	2	C10X15.3	14	10	SC2E
720H1 R	ONE	HANDRAIL			
A716	1	FB1/4X3	4	0-1/2	P
B716	2	FB1/2X3	4	0-1/2	SHAPE
C720	2	C10X15.3	14	10	SC2E
720M1	4	HR PANELS (SHOP ATT)			
AA716	8	L1X1X1/8	0	9-5/8	CTF
BB720	8	L1X1X1/8	2	9-15/16	
CC720	4	XPAN MTL 1-1/2-9 X 9-1/8	2	9-3/16	FLAT/GALV
		FIELD BOLTS			
F1228A	5	A325 3/4X1-3/4			



ONE-HANDRAIL 720H1 R [AS SHOWN]  
 ONE-HANDRAIL 720H1 L [OPP HAND]  
 4-A325 3/4 X 1 3/4 F1228A



**AS BUILT**  
 NAME: *Map Hughes*  
 DATE: **AUG 16 1999**

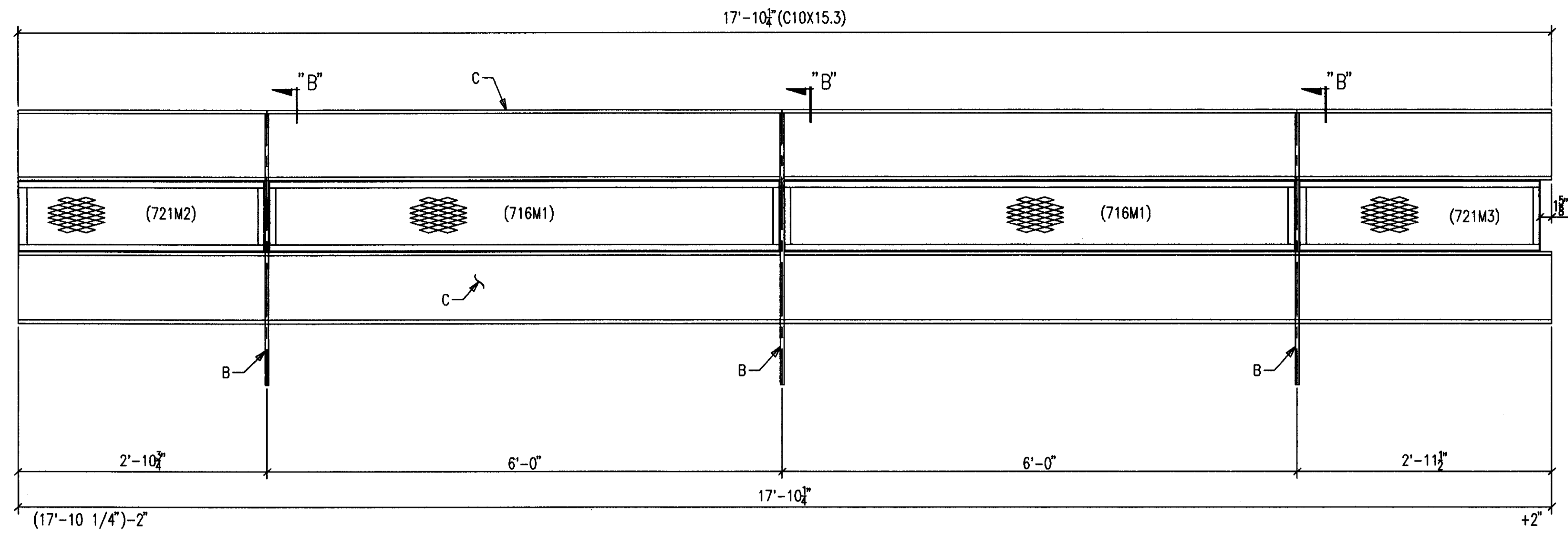
ALL RE-ENTRANT CUTS MIN. 1/2" RAD. U/N	WELD ELECTRODE U/N E70XX	CHECKED BY CONTRACTOR TURNER CONSTRUCTION COMPANY
ALL A325 BOLTS w/ONE HARD WASH. AND HVY HEX NUT	SHOP PAINT SEE SPECS	DATE ENGINEER WALTER P. MOORE
ALL A307 BOLTS w/HEX NUT	DRAWING TITLE HANDRAIL @ UPPER CONCOURSE	

2044 BUCK LANE  
 LEXINGTON, KENTUCKY 40511  
 PHONE: 606-253-4344 FAX: 606-253-4346

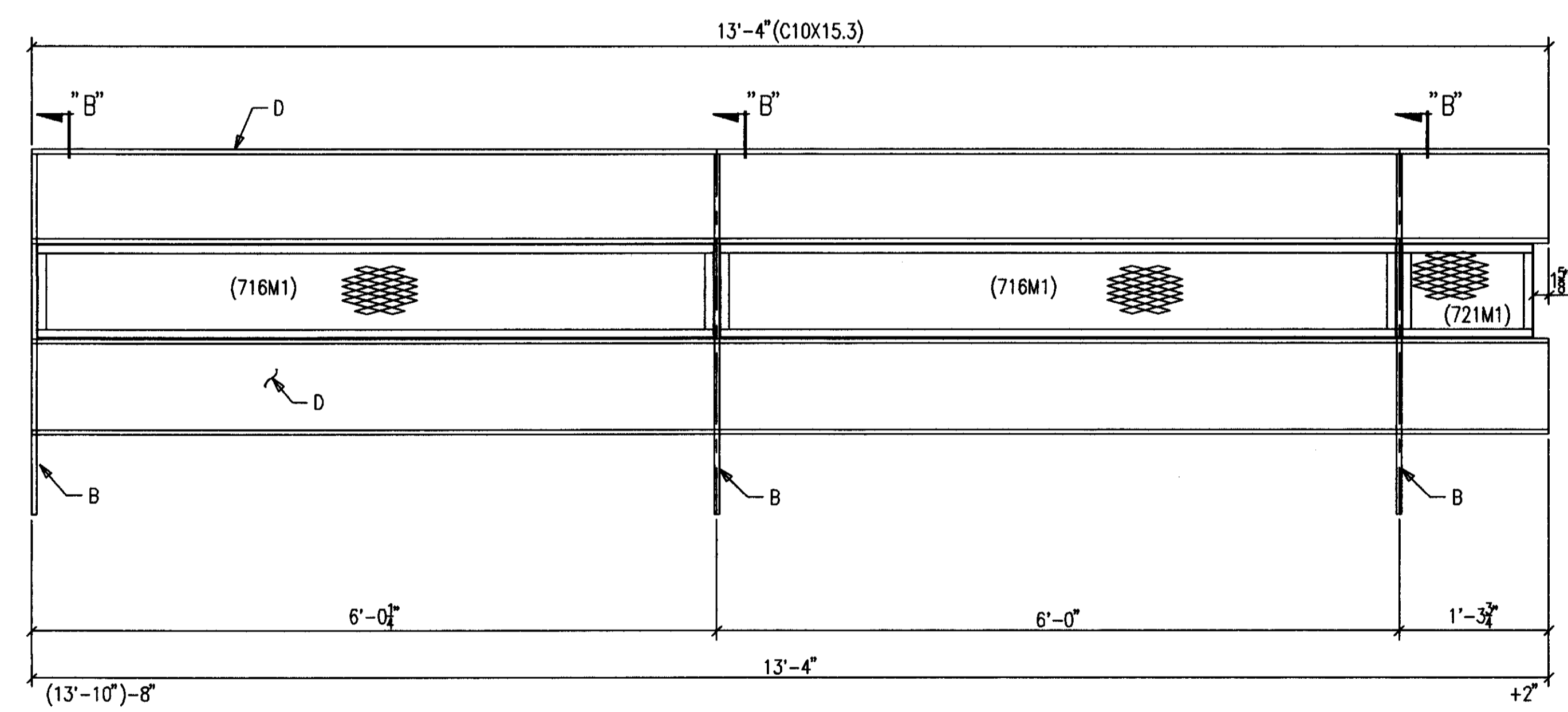
ORDER NO. P3524  
 SHEET NO. 720

BILL OF MATERIAL

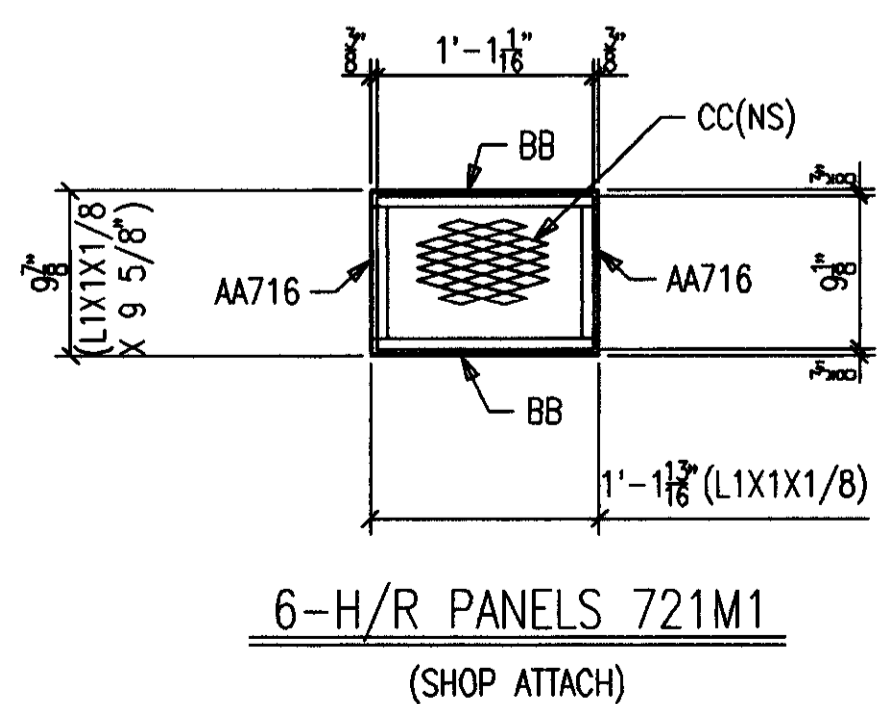
SHIP MARK SUB MARK	NO. PCS.	DESCRIPTION	LENGTH		C U S T	REMARKS
			FT.	IN.		
721H1 L	ONE	HANDRAIL				
B721	3	FBI/2X3	3	2-1/2		SHAPE
C721	2	C10X15.3	17	10-1/4		
721H1 R	ONE	HANDRAIL				
B721	3	FBI/2X3	3	2-1/2		SHAPE
C721	2	C10X15.3	17	10-1/4		
721H2 L	3	HANDRAILS				
B721	9	FBI/2X3	3	2-1/2		SHAPE
D721	6	C10X15.3	13	4		
721H2 R	3	HANDRAILS				
B721	9	FBI/2X3	3	2-1/2		SHAPE
D721	6	C10X15.3	13	4		
721M1	6	HR PANELS (SHOP ATT)				
AA716	12	L1X1X1/8	0	9-5/8		CTF
BB721	12	L1X1X1/8	1	1-13/16		
CC721	6	XPAN MTL 1-1/2-9 X 9-1/8	1	1-1/16		FLAT/GALV
721M2	2	HR PANELS (SHOP ATT)				
AA716	4	L1X1X1/8	0	9-5/8		CTF
DD721	4	L1X1X1/8	2	10-7/16		
EE721	2	XPAN MTL 1-1/2-9 X 9-1/8	2	9-11/16		FLAT/GALV
721M3	2	HR PANELS (SHOP ATT)				
AA716	4	L1X1X1/8	0	9-5/8		CTF
FF721	4	L1X1X1/8	2	9-9/16		
GG721	2	XPAN MTL 1-1/2-9 X 9-1/8	2	8-13/16		FLAT/GALV



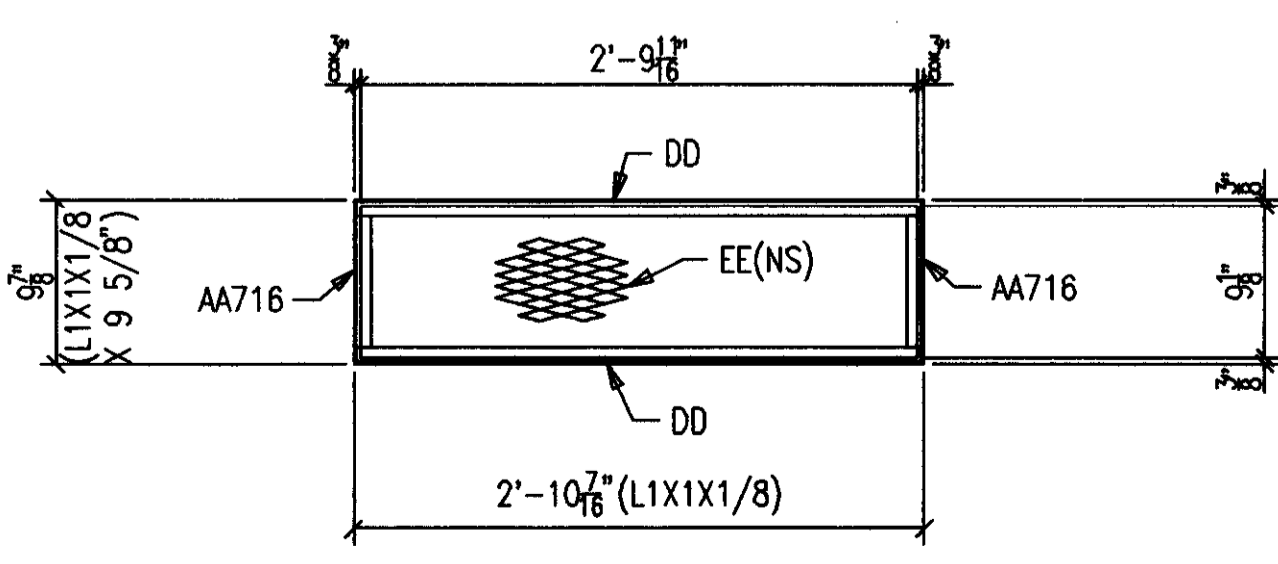
ONE-HANDRAIL 721H1 R [AS SHOWN]  
ONE-HANDRAIL 721H1 L [OPP HAND]



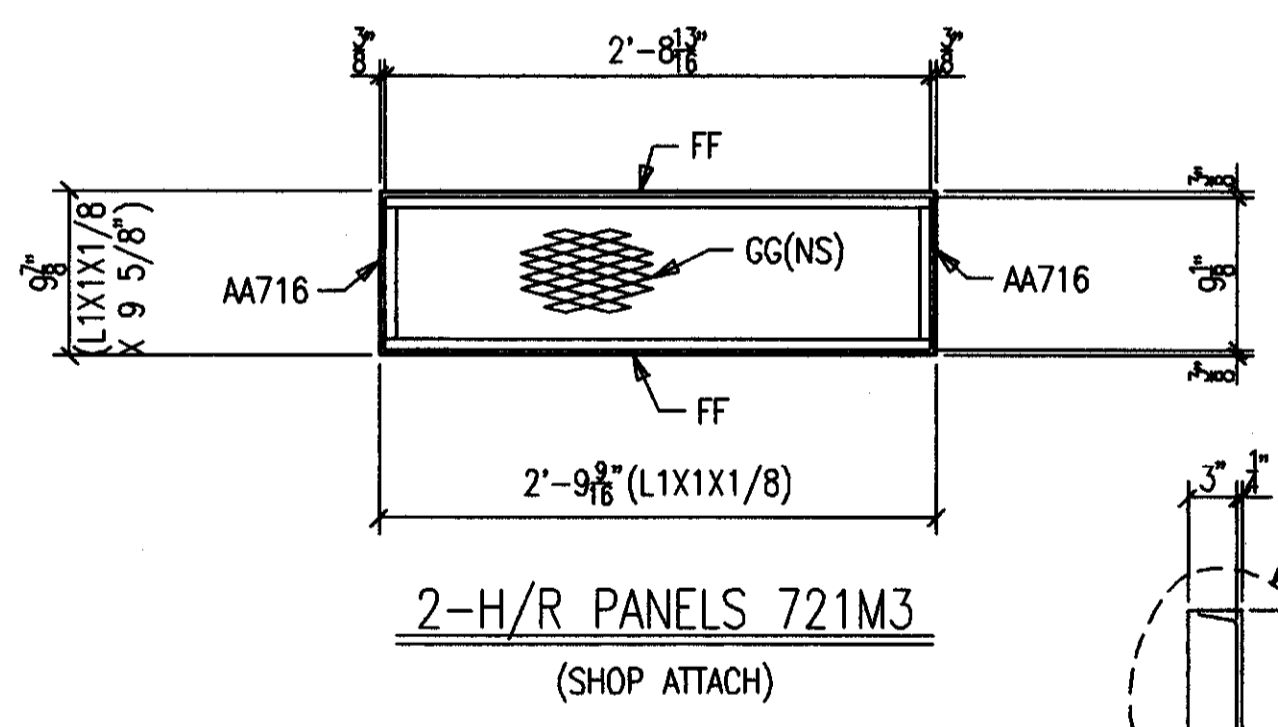
3-HANDRAILS 721H2 R [AS SHOWN]  
3-HANDRAILS 721H2 L [OPP HAND]



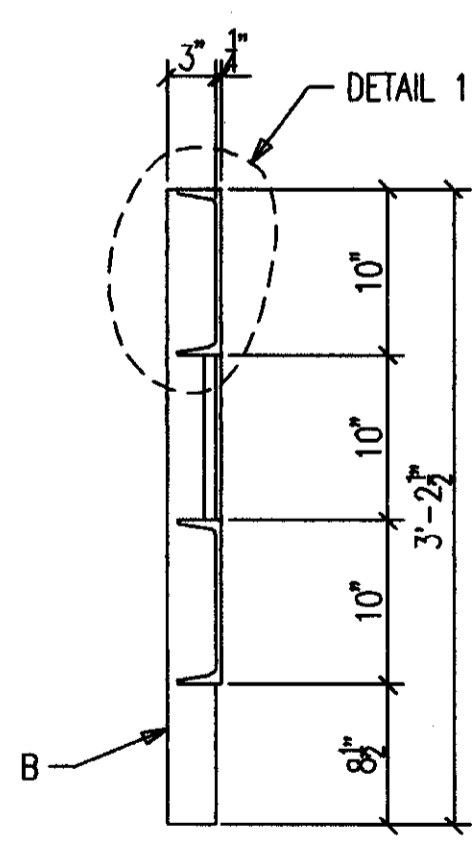
6-H/R PANELS 721M1  
(SHOP ATTACH)



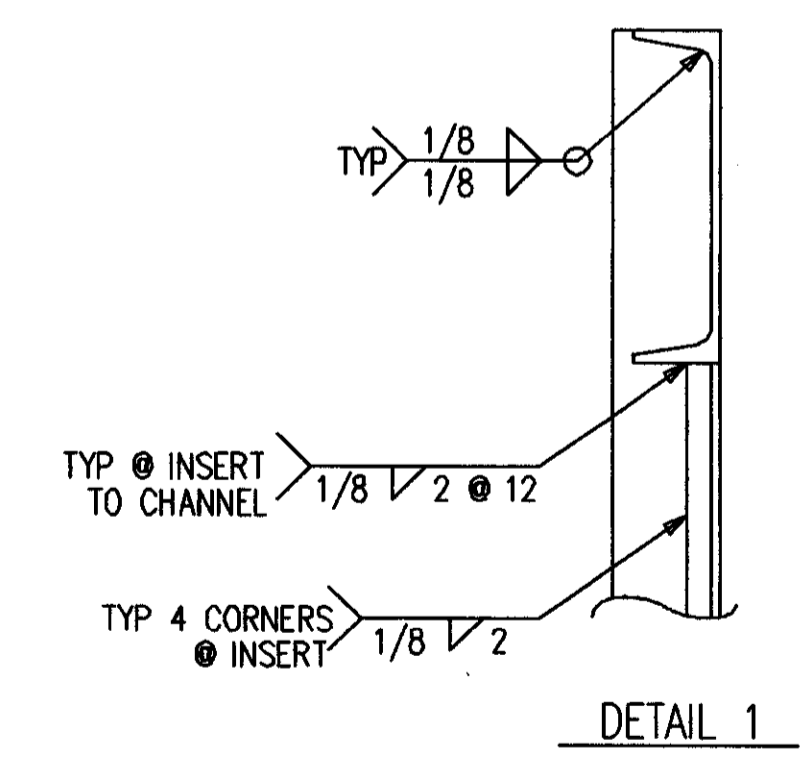
2-H/R PANELS 721M2  
(SHOP ATTACH)



2-H/R PANELS 721M3  
(SHOP ATTACH)

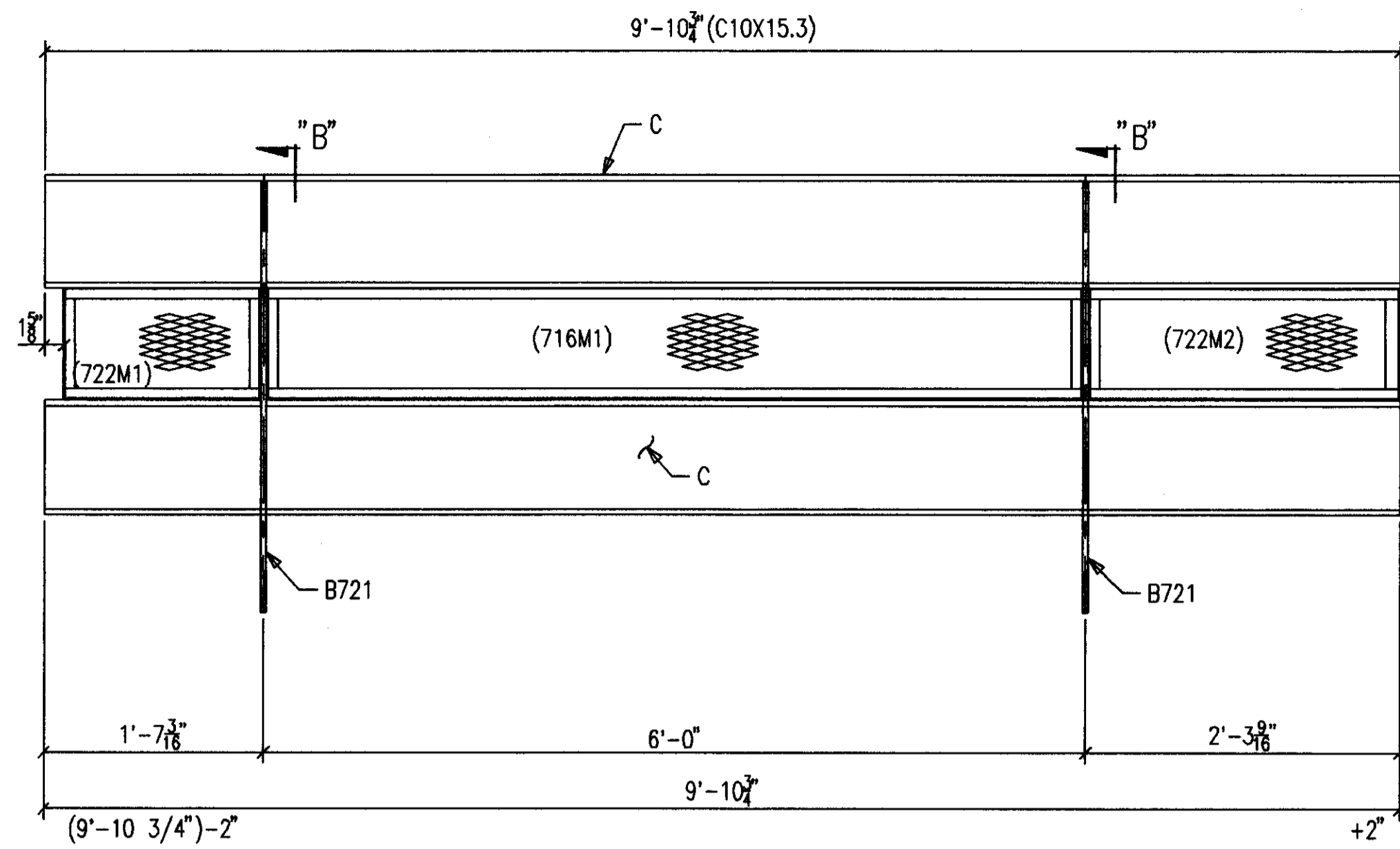


SECTION B

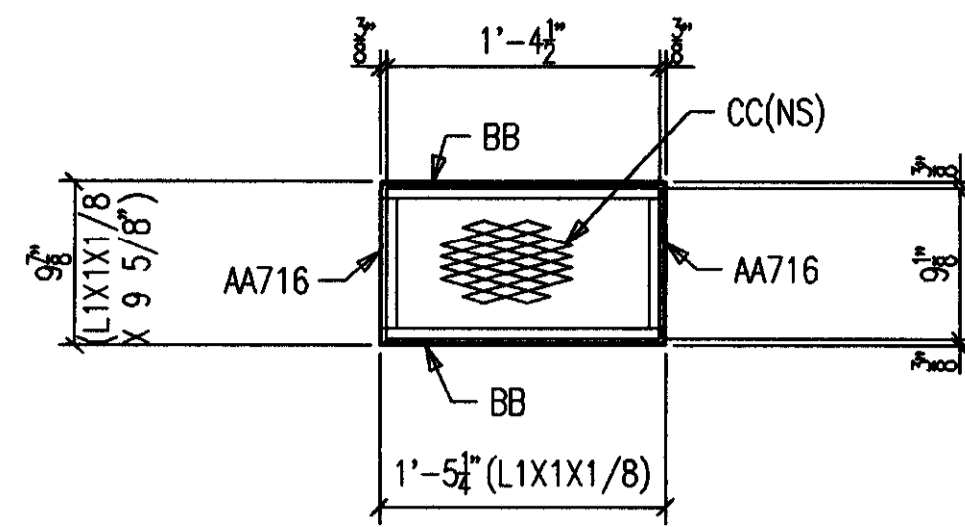


**AS BUILT**  
NAME: *Walter P. Moore*  
DATE: **AUG 16 1999**

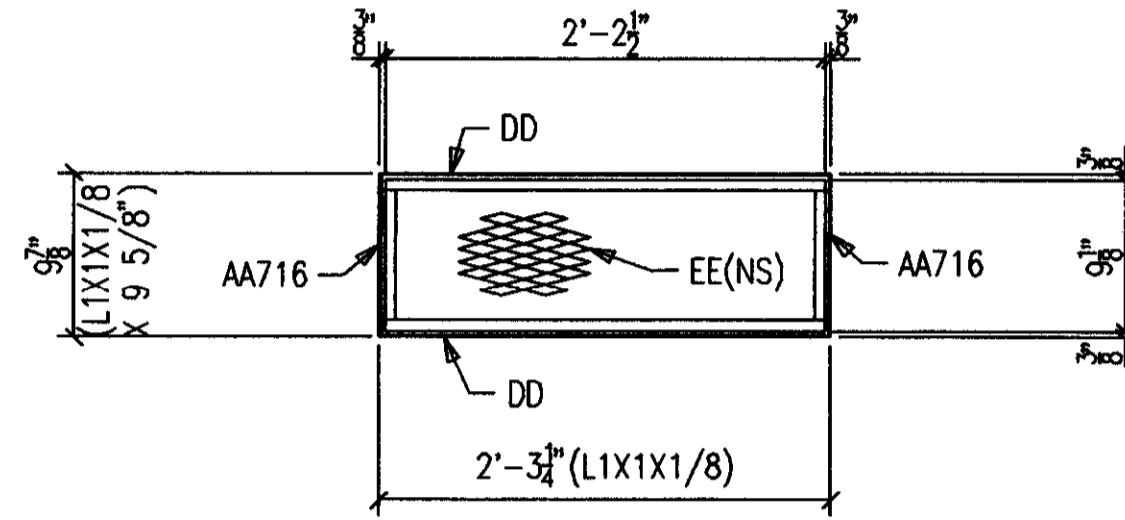
NO.		DATE		REVISION DESCRIPTION		DRW	CHK	
CONTRACTOR TO CHECK ALL DIMENSIONS AT JOB AS MD STATES STEEL PRODUCTS CO. ASSUMES NO RESPONSIBILITY FOR GENERAL BUILDING DIMENSIONS. NO BACK CHARGES PERTAINING TO THIS WORK WILL BE ACCEPTED WITHOUT PRIOR AUTHORIZATION BY MD STATES STEEL PRODUCTS CO.								
MATERIAL U/N	A36	DRAWN BY	SC	JOB NAME	COMMONWEALTH STADIUM EXPANSION			
OPEN HOLES U/N	13/16" Ø	DATE	4/99	JOB LOCATION	UNIVERSITY OF KENTUCKY			
WELD ELECTRODE U/N	E70XX	CHECKED BY		CONTRACTOR	TURNER CONSTRUCTION COMPANY			
SHOP PAINT	SEE SPECS	DATE		ENGINEER	WALTER P. MOORE			
DRAWING TITLE: HANDRAIL @ UPPER CONCOURSE								
DATE	APP	SHOP	FIELD	2044 BUCK LANE LEXINGTON, KENTUCKY 40511 PHONE: 606-233-4344 FAX: 606-233-4346				ORDER NO. <b>P3524</b>
				MID STATES STEEL PRODUCTS CO. FABRICATORS OF STRUCTURAL AND MISCELLANEOUS STEEL				SHEET NO. <b>721</b>



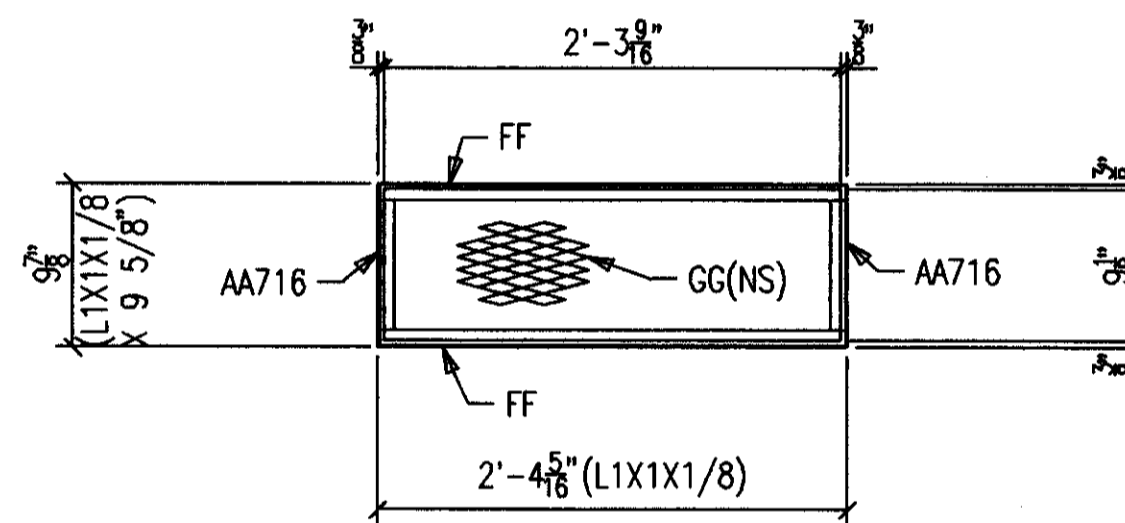
ONE-HANDRAIL 722H1 R [AS SHOWN]  
ONE-HANDRAIL 722H1 L [OPP HAND]



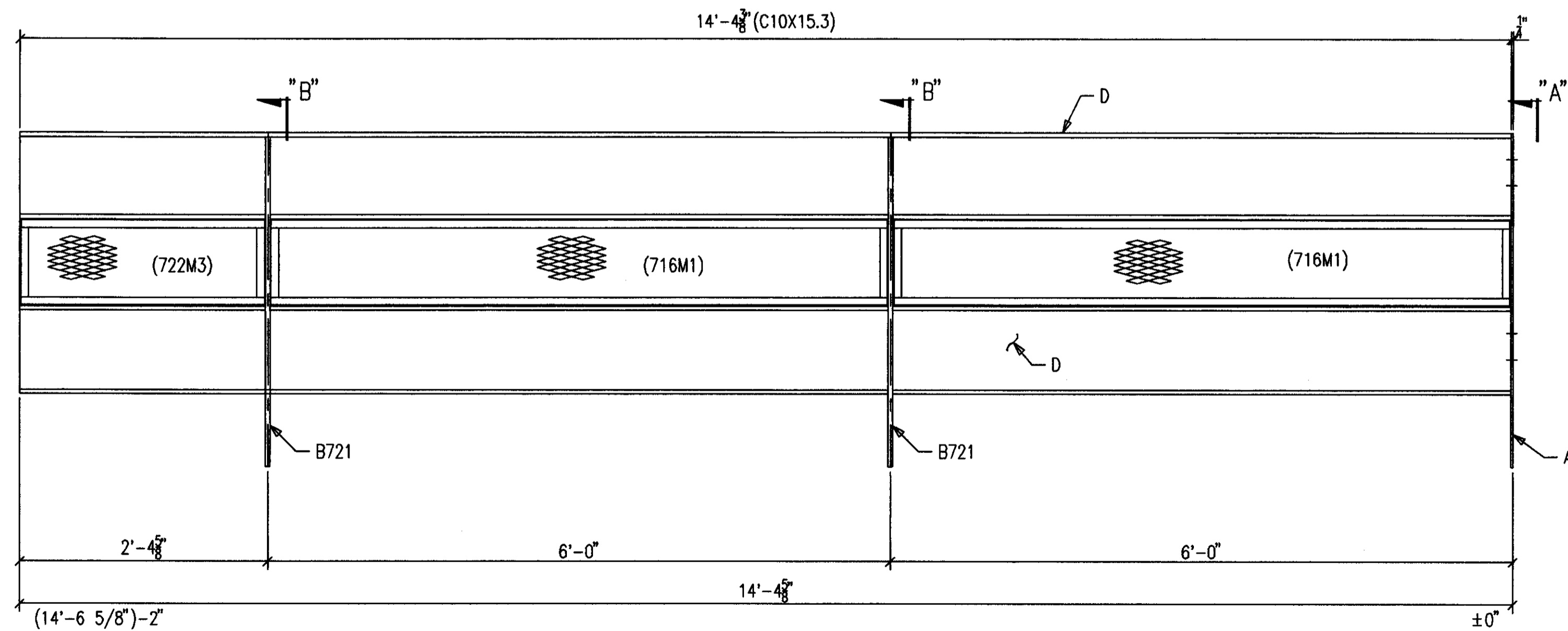
2-H/R PANELS 722M1  
(SHOP ATTACH)



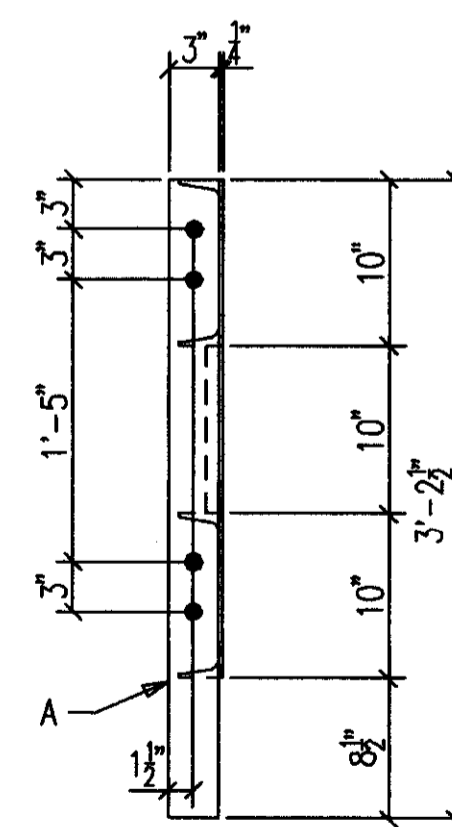
2-H/R PANELS 722M2  
(SHOP ATTACH)



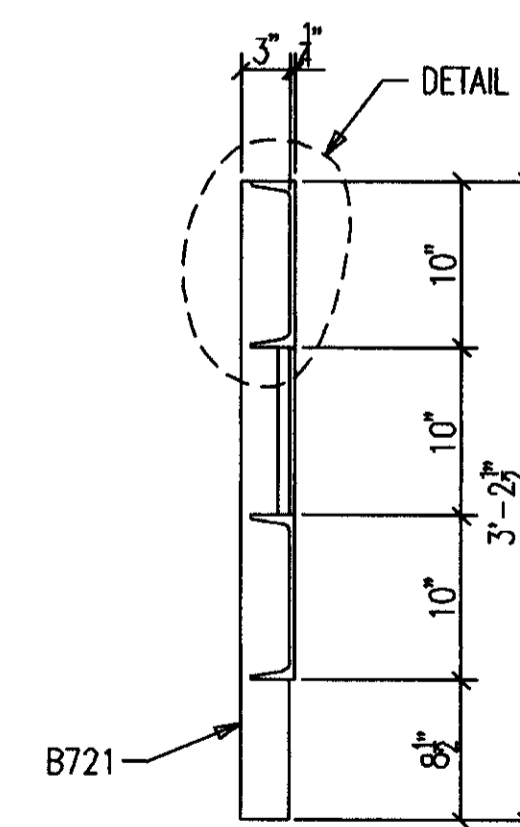
2-H/R PANELS 722M3  
(SHOP ATTACH)



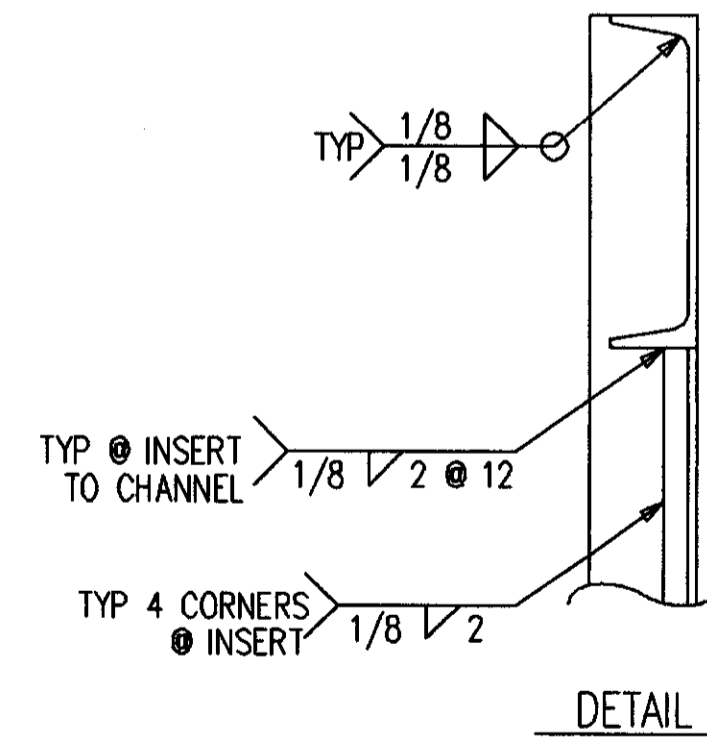
ONE-HANDRAIL 722H2 R [AS SHOWN]  
ONE-HANDRAIL 722H2 L [OPP HAND]  
4-A325 3/4 X 1 3/4 F1228A



SECTION A



SECTION B

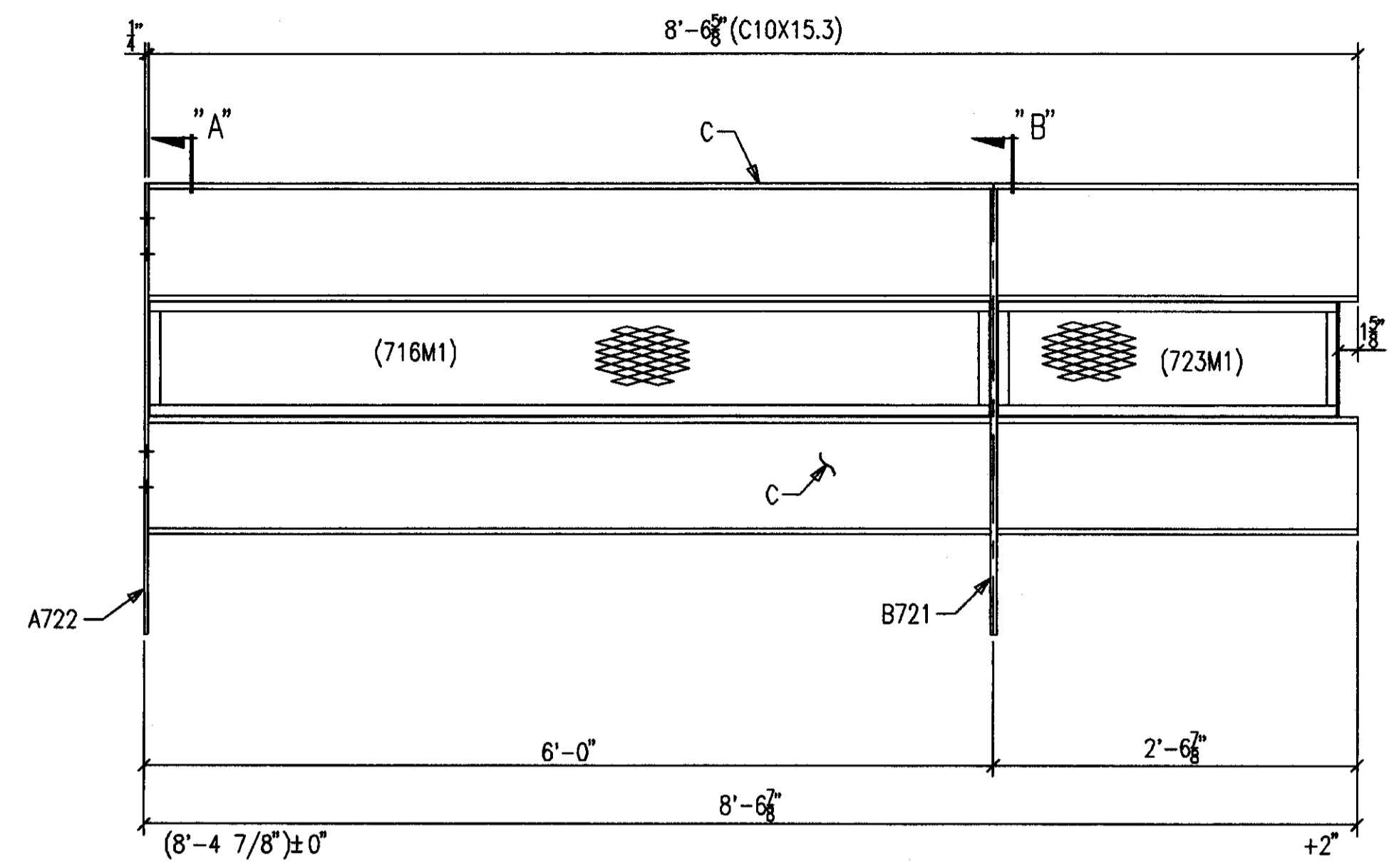


DETAIL 1

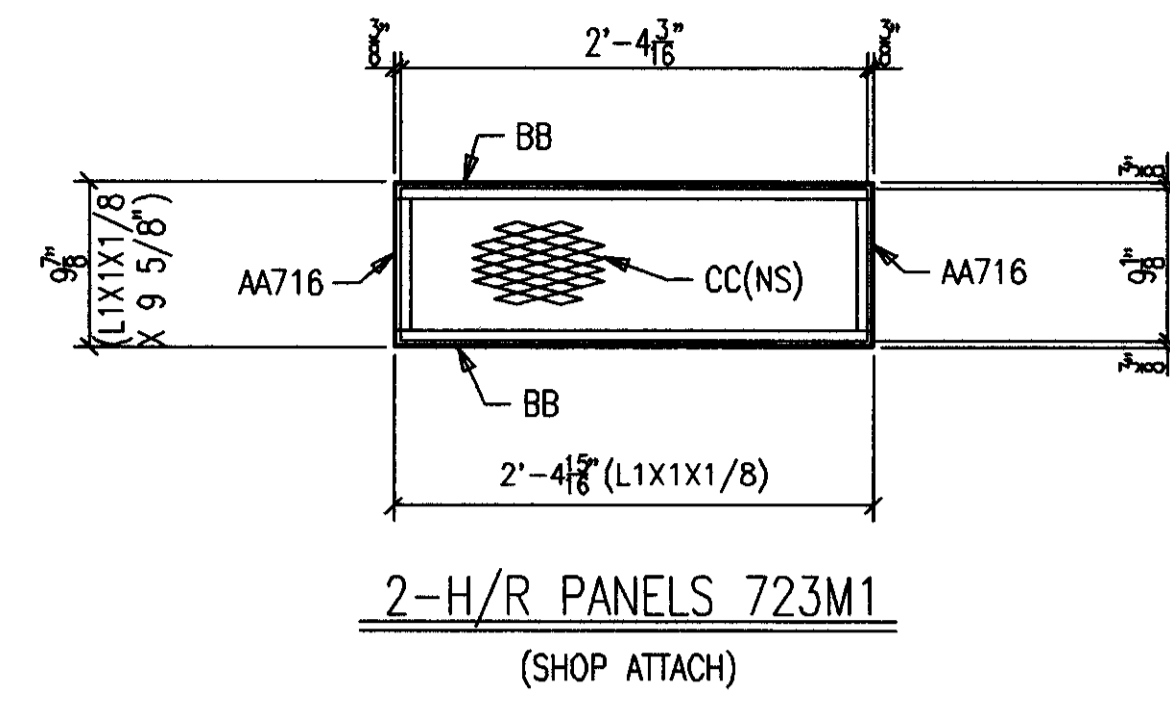
**AS BUILT**  
NAME: *Mal Hughes*  
DATE: **AUG 16 1999**

SHIP MARK SUB MARK		NO. PCS.	DESCRIPTION	LENGTH		CL UST	REMARKS
				FT.	IN.		
722H1 L		ONE	HANDRAIL				
B721		2	FB1/2X3	3	2-1/2		SHAPE
C722		2	C10X15.3	9	10-3/4		
722H1 R		ONE	HANDRAIL				
B721		2	FB1/2X3	3	2-1/2		SHAPE
C722		2	C10X15.3	9	10-3/4		
722H2 L		ONE	HANDRAIL				
A722		1	FB1/4X3	3	2-1/2		P
B721		2	FB1/2X3	3	2-1/2		SHAPE
D722		2	C10X15.3	14	4-3/8		
722H2 R		ONE	HANDRAIL				
A722		1	FB1/4X3	3	2-1/2		P
B721		2	FB1/2X3	3	2-1/2		SHAPE
D722		2	C10X15.3	14	4-3/8		
722M1		2	HR PANELS <SHOP ATT>				
AA716		4	L1X1X1/8	0	9-5/8		CTF
BB722		4	L1X1X1/8	1	5-1/4		
CC722		2	XPAN MTL 1-1/2-9 X 9-1/8	1	4-1/2		FLAT/GALV
722M2		2	HR PANELS <SHOP ATT>				
AA716		4	L1X1X1/8	0	9-5/8		CTF
DD722		4	L1X1X1/8	2	3-1/4		
EE722		2	XPAN MTL 1-1/2-9 X 9-1/8	2	2-1/2		FLAT/GALV
722M3		2	HR PANELS <SHOP ATT>				
AA716		4	L1X1X1/8	0	9-5/8		CTF
FF722		4	L1X1X1/8	2	4-5/16		
GG722		2	XPAN MTL 1-1/2-9 X 9-1/8	2	3-9/16		FLAT/GALV
F1228A		5	FIELD BOLTS A325 3/4X1-3/4				

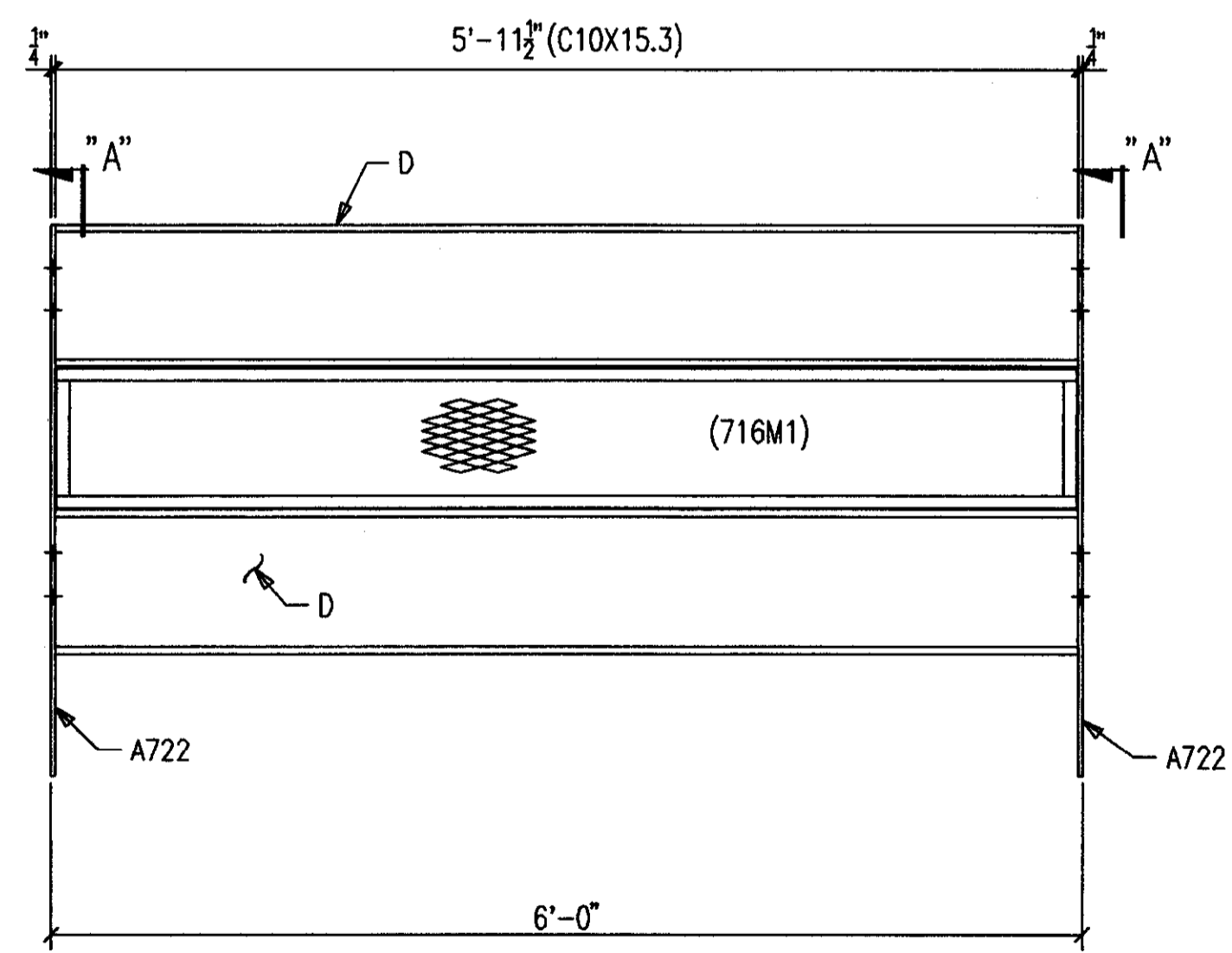
NO. DATE		REVISION DESCRIPTION		DWN	QND
CONTRACTOR TO CHECK ALL DIMENSIONS AT JOB AS MID STATES STEEL PRODUCTS CO. ASSUMES NO RESPONSIBILITY FOR GENERAL BUILDING DIMENSIONS. NO BACK CHARGES PERTAINING TO THIS WORK WILL BE ACCEPTED WITHOUT PRIOR AUTHORIZATION BY MID STATES STEEL PRODUCTS CO.					
MATERIAL U/N	A36	DRAWN BY	SC	JOB NAME COMMONWEALTH STADIUM EXPANSION	
OPEN HOLES U/N	13/16" Ø	DATE	4/99	JOB LOCATION UNIVERSITY OF KENTUCKY	
WELD ELECTRODE U/N	E70XX	CHECKED BY	CONTRACTOR	TURNER CONSTRUCTION COMPANY	
SHOP PAINT	SEE SPECS	DATE	ENGINEER	WALTER P. MOORE	
ALL A307 BOLTS w/HEX NUT		DRAWING TITLE HANDRAIL @ UPPER CONCOURSE			
DATE	APP	SHOP	FIELD	2044 BUCK LANE LEXINGTON, KENTUCKY 40511 PHONE: 606-233-4344 FAX: 606-233-4346	
				ORDER NO.	P3524
				SHEET NO.	722
FABRICATORS OF STRUCTURAL AND MISCELLANEOUS STEEL					



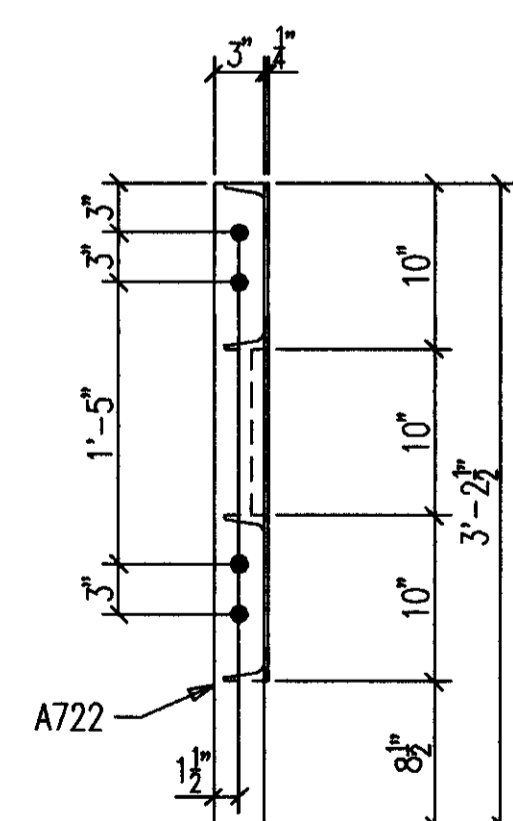
ONE-HANDRAIL 723H1 R [AS SHOWN]  
 ONE-HANDRAIL 723H1 L [OPP HAND]  
 4-A325 3/4 X 1 3/4 F1228A



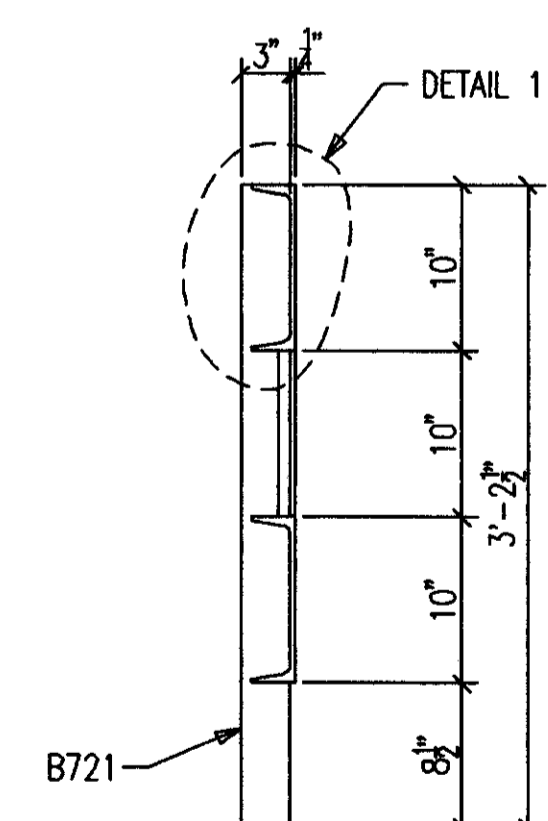
2-H/R PANELS 723M1  
 (SHOP ATTACH)



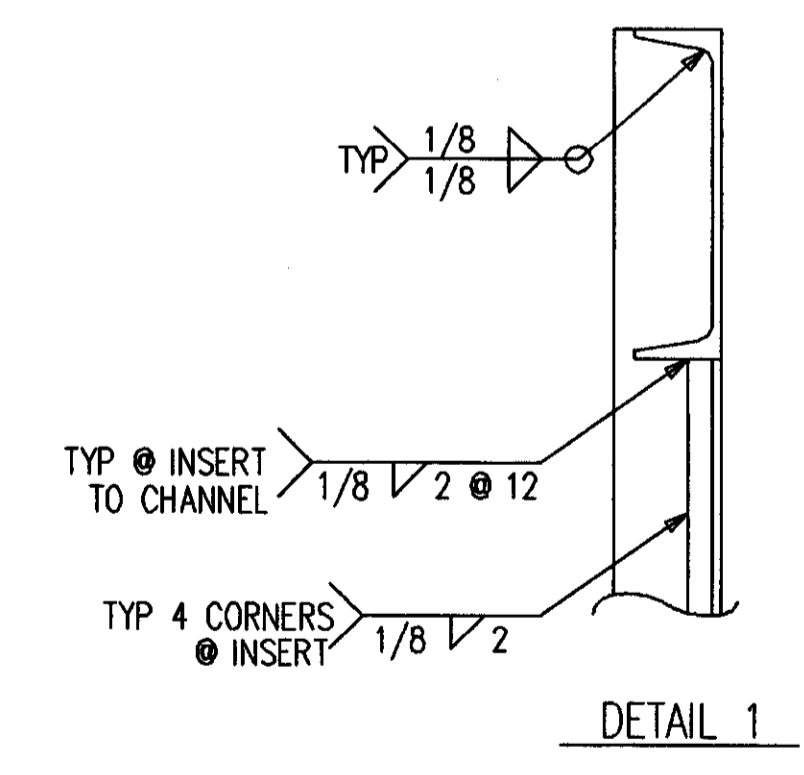
2-HANDRAILS 723H2  
 8-A325 3/4 X 1 3/4 F1228A



SECTION A



SECTION B



DETAIL 1

**AS BUILT**  
 NAME: *Map Hughes*  
 DATE: **AUG 16 1999**

NO.	DATE	REVISION DESCRIPTION	DWN	CHKD

CONTRACTOR TO CHECK ALL DIMENSIONS AT JOB AS MID STATES STEEL PRODUCTS CO. ASSUMES NO RESPONSIBILITY FOR GENERAL BUILDING DIMENSIONS. NO BACK CHARGES PERTAINING TO THIS WORK WILL BE ACCEPTED WITHOUT PRIOR AUTHORIZATION BY MID STATES STEEL PRODUCTS CO.			
MATERIAL U/N A36	DRAWN BY SC	JOB NAME COMMONWEALTH STADIUM EXPANSION	
OPEN HOLES U/N 13/16" Ø	DATE 4/99	JOB LOCATION UNIVERSITY OF KENTUCKY	
WELD ELECTRODE U/N E70XX	CHECKED BY CONTRACTOR	TURNER CONSTRUCTION COMPANY	
SHOP PAINT SEE SPECS	DATE	ENGINEER WALTER P. MOORE	

DATE	APP	SHOP	FIELD

2044 BUCK LANE  
 LEXINGTON, KENTUCKY 40511  
 PHONE: 606-233-4344 FAX: 606-233-4346

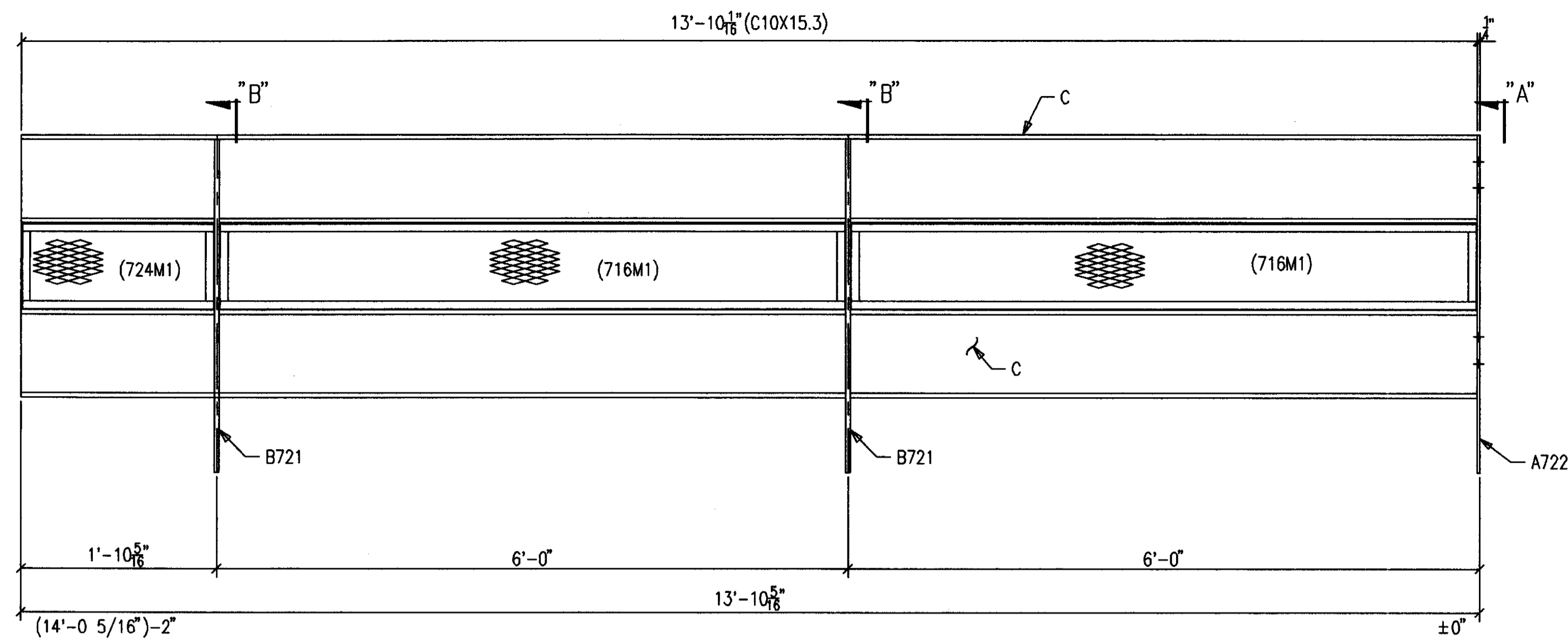
**MID STATES STEEL PRODUCTS CO.**  
 FABRICATORS OF STRUCTURAL AND MISCELLANEOUS STEEL

ORDER NO. **P3524**  
 SHEET NO. **723**

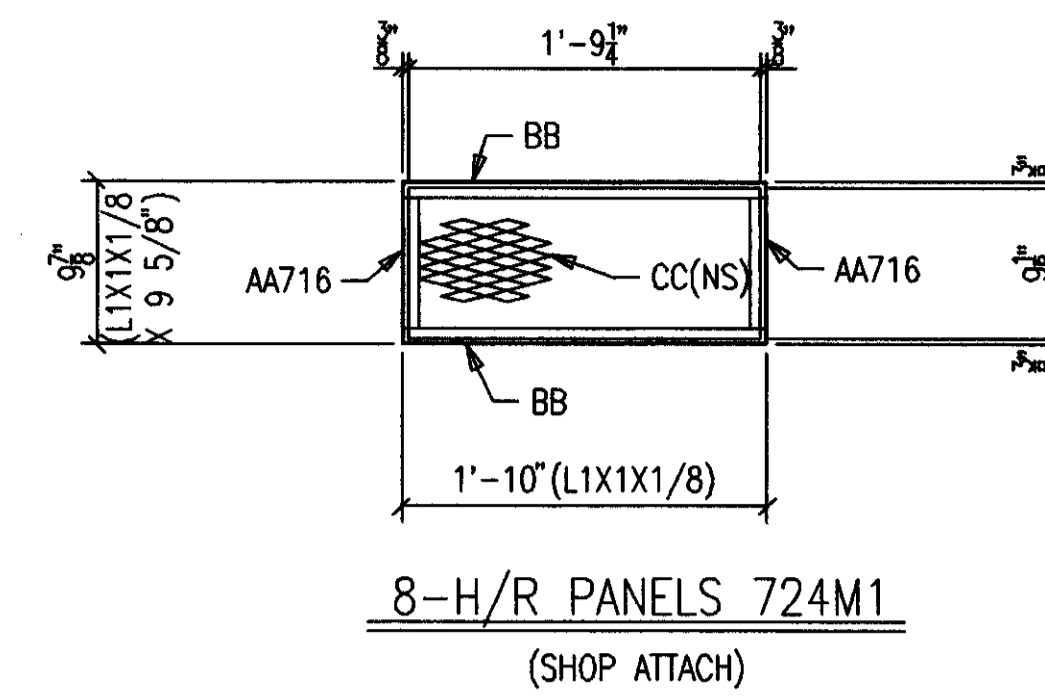
SHIP MARK SUB MARK	NO. PCS.	DESCRIPTION	LENGTH		C U S T Y	REMARKS
			FT.	IN.		
723H1 L	ONE	HANDRAIL				
A722	1	FB1/4X3	3	2-1/2		P
B721	1	FB1/2X3	3	2-1/2		SHAPE
C723	2	C10X15.3	8	6-5/8		SC2E
723H1 R	ONE	HANDRAIL				
A722	1	FB1/4X3	3	2-1/2		P
B721	1	FB1/2X3	3	2-1/2		SHAPE
C723	2	C10X15.3	8	6-5/8		SC2E
723H2	2	HANDRAILS				
A722	4	FB1/4X3	3	2-1/2		P
D723	4	C10X15.3	5	11-1/2		SC2E
723M1	2	HR PANELS (SHOP ATT)				
AA716	4	L1X1X1/8	0	9-5/8		CTF
BB723	4	L1X1X1/8	2	4-15/16		
CC723	2	XPAN MTL 1-1/2-9 X 9-1/8	2	4-3/16		FLAT/GALV
F1228A	13	FIELD BOLTS A325 3/4X1-3/4				

BILL OF MATERIAL

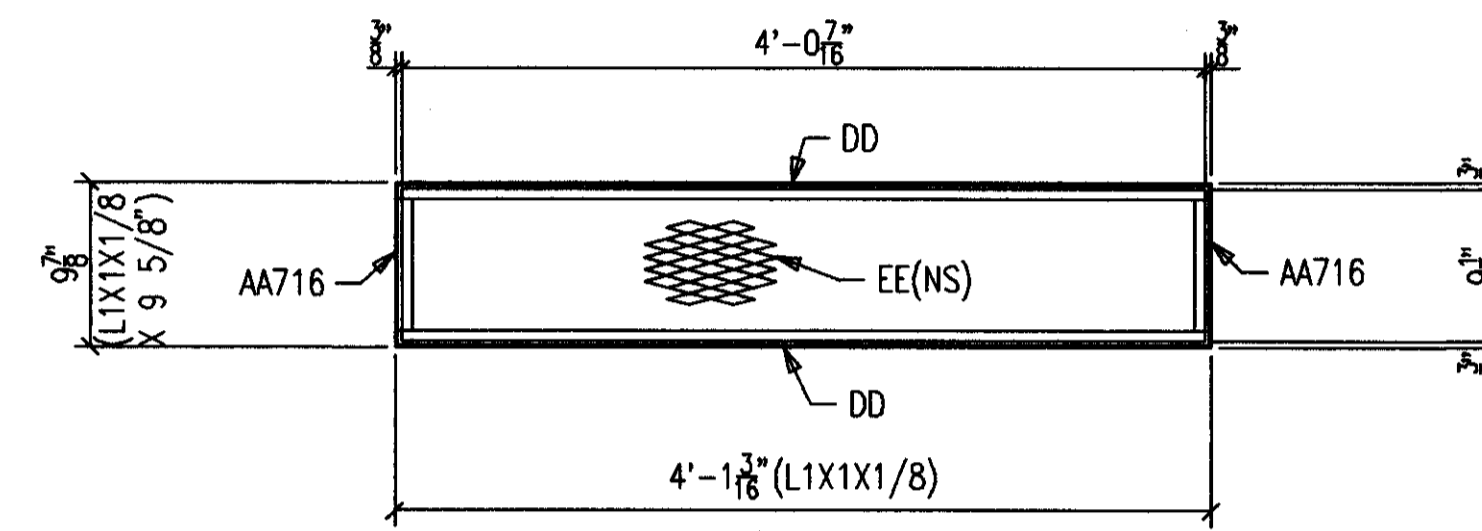
SHIP MARK SUB MARK	QTY PCS.	DESCRIPTION	LENGTH		CL LIST	REMARKS
			FT.	IN.		
724H1 L	4	HANDRAILS				
A722	4	FB1/4X3	3	2-1/2		P
B721	8	FB1/2X3	3	2-1/2		SHAPE
C724	8	C10X15.3	13	10-1/16		SC2E
724H1 R	4	HANDRAILS				
A722	4	FB1/4X3	3	2-1/2		P
B721	8	FB1/2X3	3	2-1/2		SHAPE
C724	8	C10X15.3	13	10-1/16		SC2E
724H2 L	ONE	HANDRAIL				
A722	1	FB1/4X3	3	2-1/2		P
B721	2	FB1/2X3	3	2-1/2		SHAPE
D724	2	C10X15.3	16	2-7/8		SC2E
724H2 R	ONE	HANDRAIL				
A722	1	FB1/4X3	3	2-1/2		P
B721	2	FB1/2X3	3	2-1/2		SHAPE
D724	2	C10X15.3	16	2-7/8		SC2E
724M1	8	HR PANELS (SHOP ATT)				
AA716	16	L1X1X1/8	0	9-5/8		CTF
BB724	16	L1X1X1/8	1	10		
CC724	8	XPAN MTL 1-1/2-9 X 9-1/8	1	9-1/4		FLAT/GALV
724M2	2	HR PANELS (SHOP ATT)				
AA716	4	L1X1X1/8	0	9-5/8		CTF
DD724	4	L1X1X1/8	4	1-3/16		
EE724	2	XPAN MTL 1-1/2-9 X 9-1/8	4	0-7/16		FLAT/GALV
		FIELD BOLTS				
F1228A	21	A325 3/4X1-3/4				



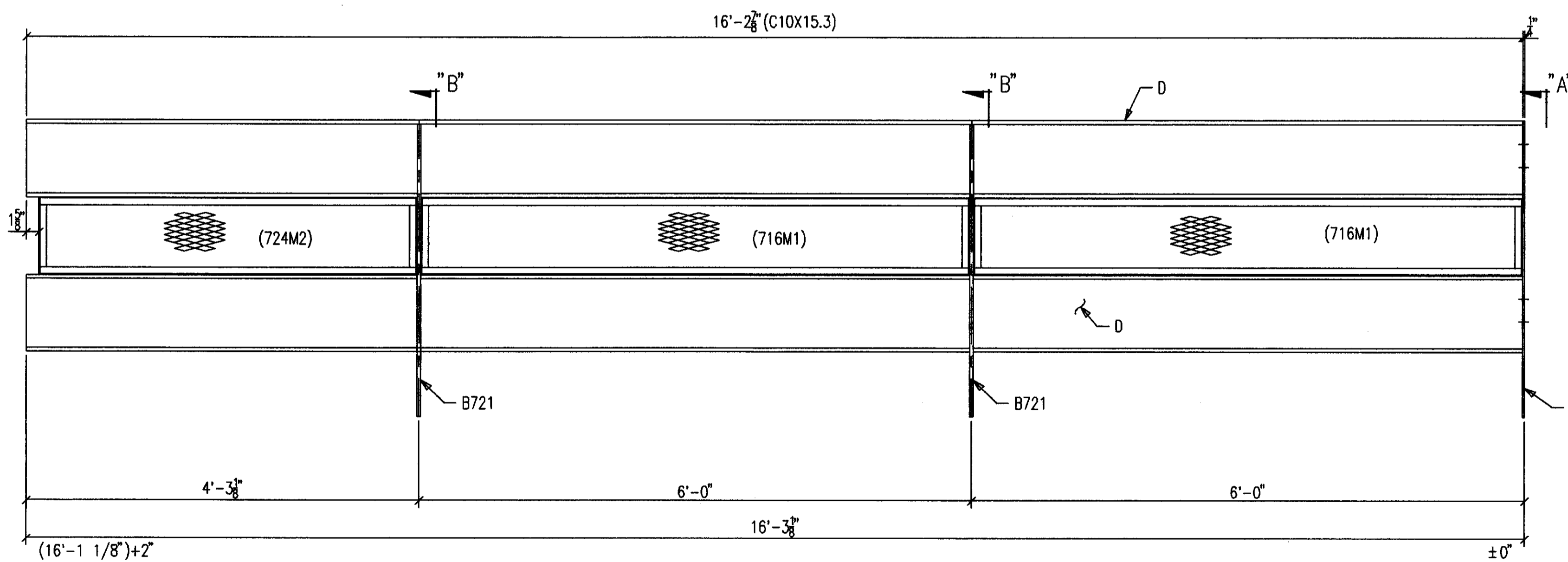
4-HANDRAILS 724H1 R [AS SHOWN]  
4-HANDRAILS 724H1 L [OPP HAND]  
16-A325 3/4 X 1 3/4 F1228A



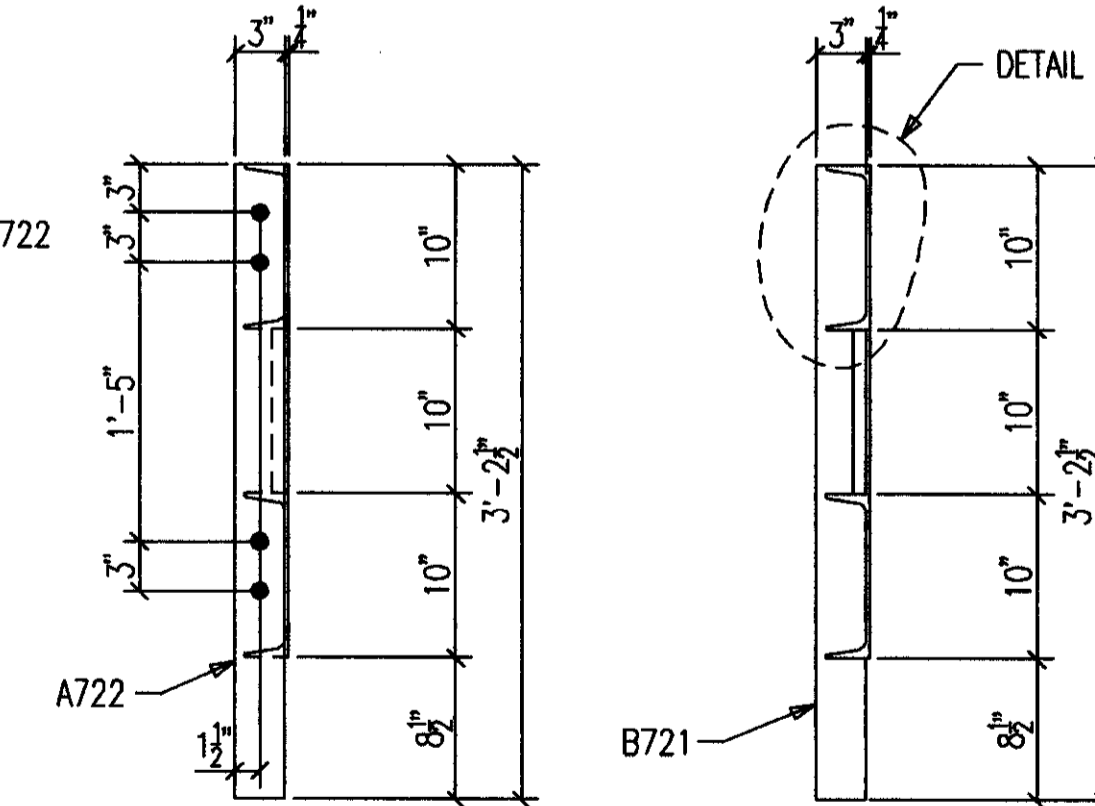
8-H/R PANELS 724M1  
(SHOP ATTACH)



2-H/R PANELS 724M2  
(SHOP ATTACH)

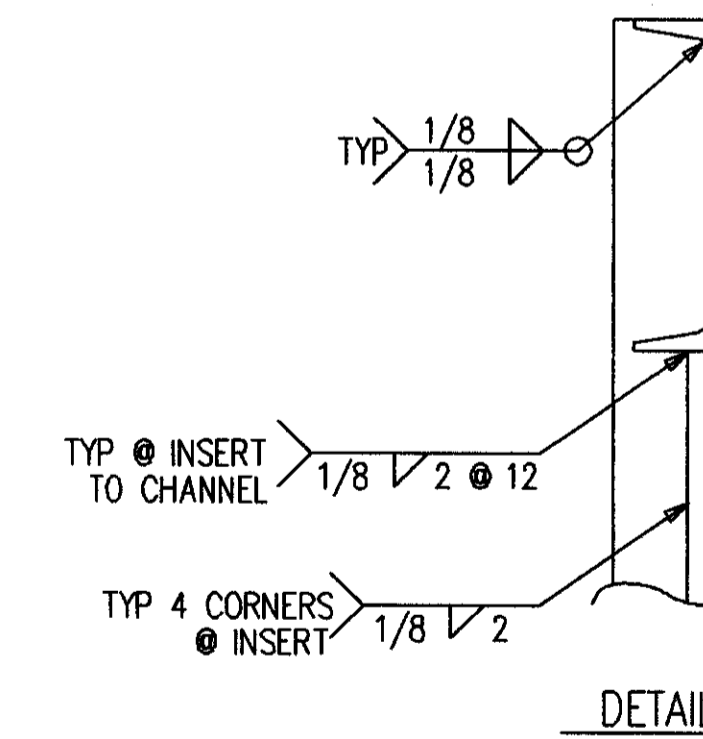


ONE-HANDRAIL 724H2 R [AS SHOWN]  
ONE-HANDRAIL 724H2 L [OPP HAND]  
4-A325 3/4 X 1 3/4 F1228A



SECTION A

SECTION B



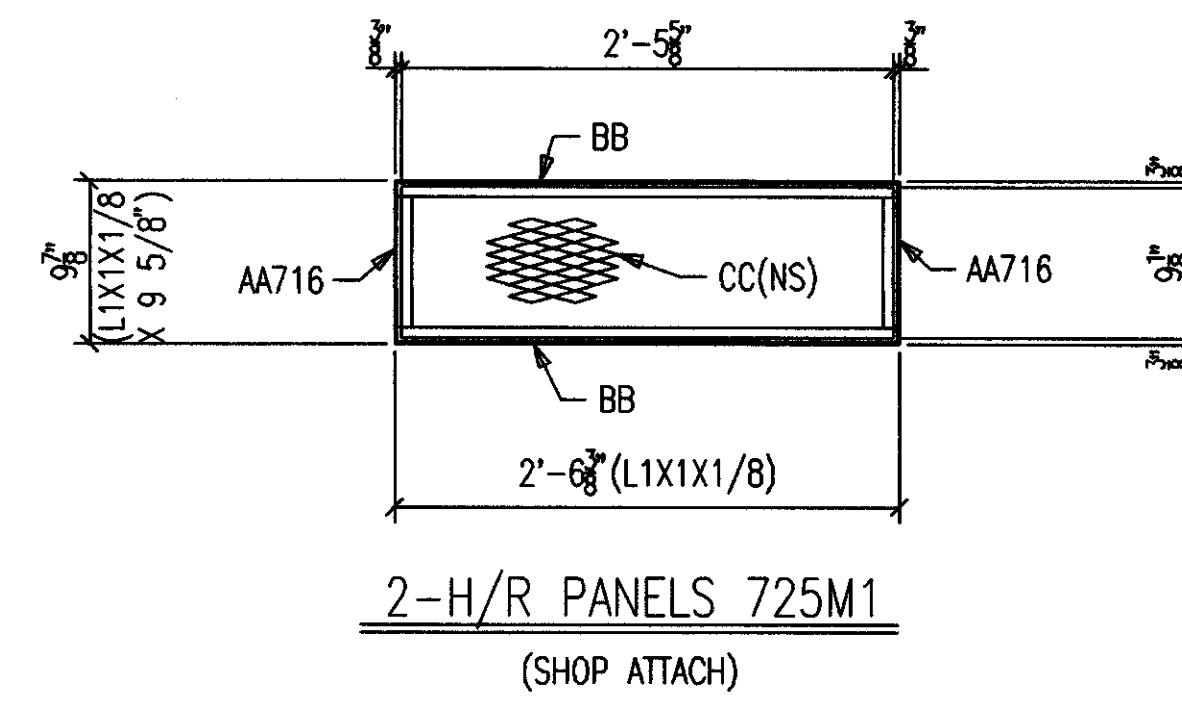
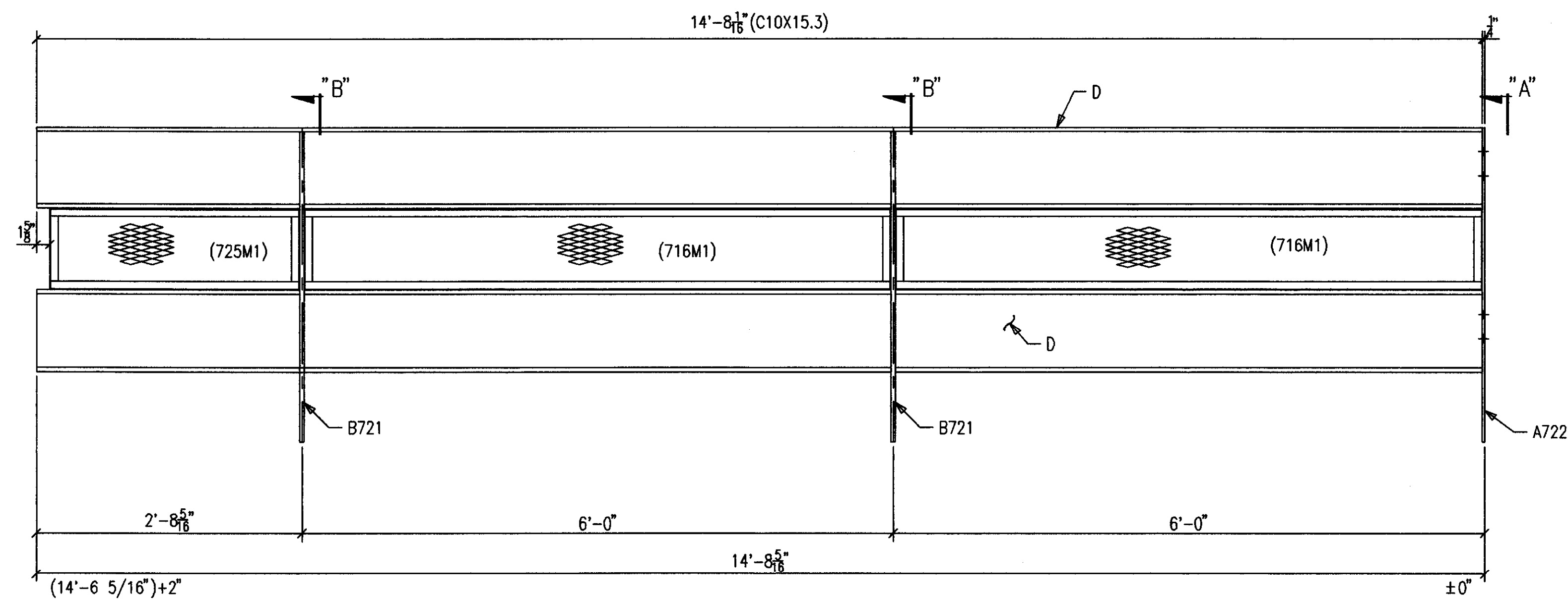
DETAIL 1

**AS BUILT**  
NAME: *Map Hughes*  
DATE: **AUG 16 1999**

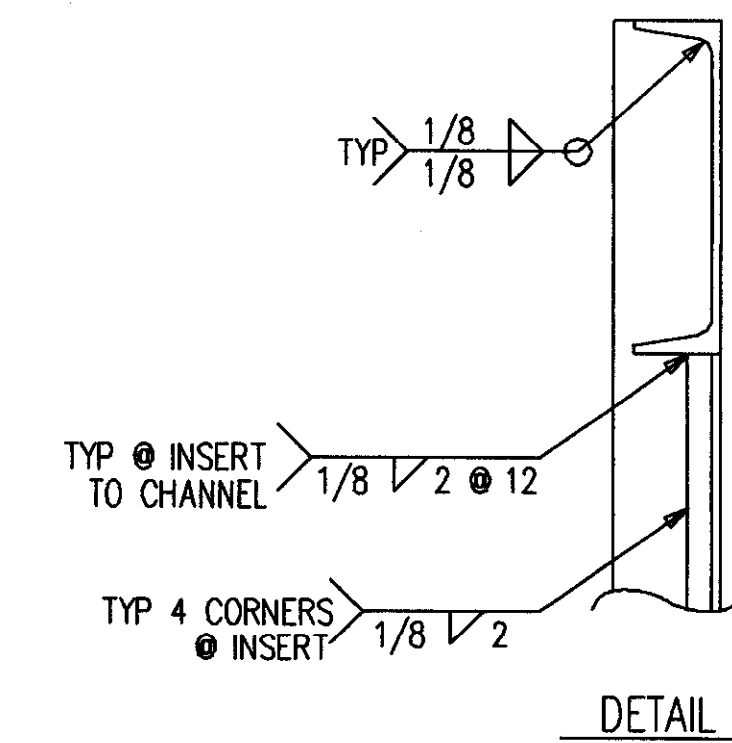
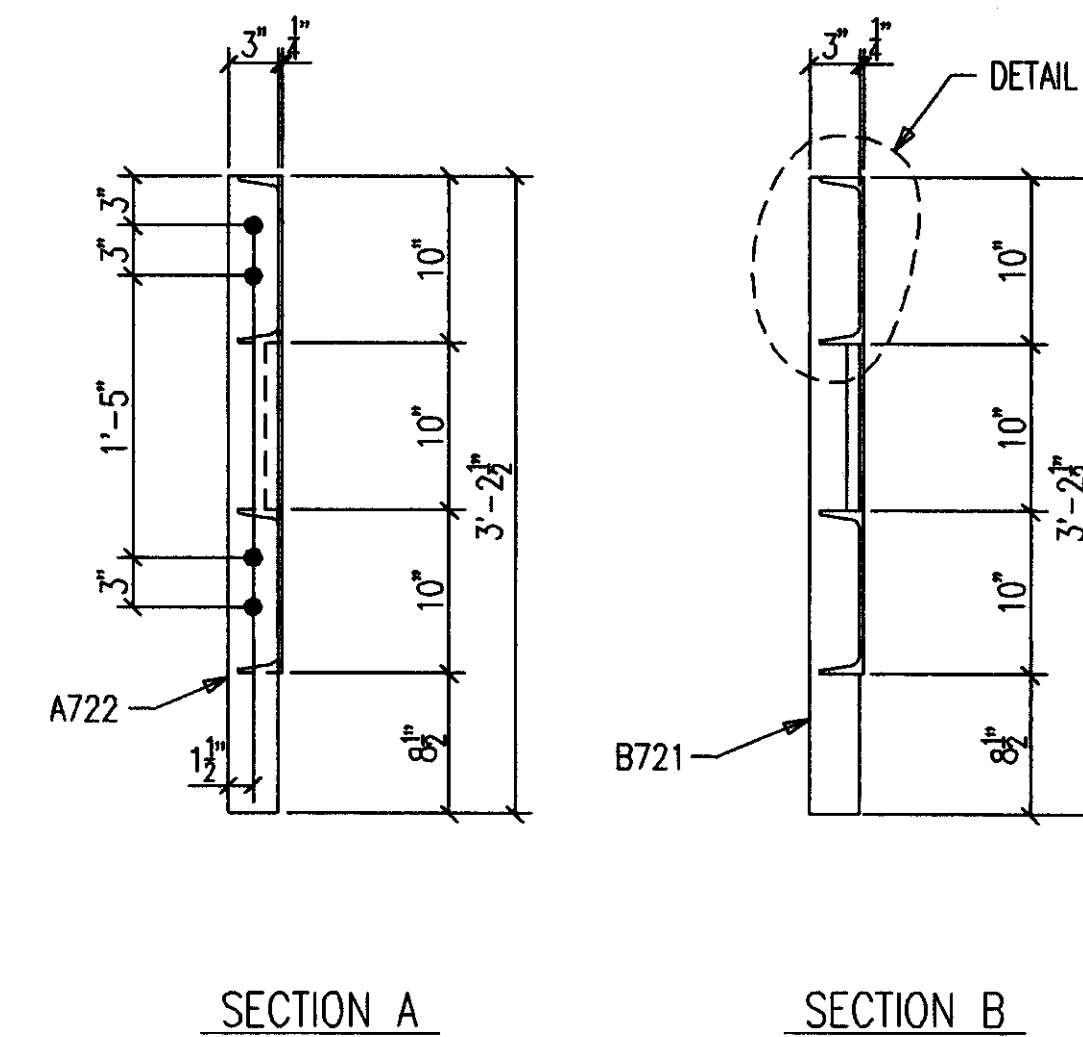
NO.		DATE		REVISION DESCRIPTION		DWN	OKD
CONTRACTOR TO CHECK ALL DIMENSIONS AT JOB AS MID STATES STEEL PRODUCTS CO. ASSUMES NO RESPONSIBILITY FOR GENERAL BUILDING DIMENSIONS. NO BACK CHARGES PERTAINING TO THIS WORK WILL BE ACCEPTED WITHOUT PRIOR AUTHORIZATION BY MID STATES STEEL PRODUCTS CO.							
MATERIAL U/N	A36	DRAWN BY	SC	JOB NAME	COMMONWEALTH STADIUM EXPANSION		
OPEN HOLES U/N	13/16" Ø	DATE	4/99	JOB LOCATION	UNIVERSITY OF KENTUCKY		
WELD ELECTRODE U/N	E70XX	CHECKED BY	CONTRACTOR	TURNER CONSTRUCTION COMPANY			
SHOP PAINT	SEE SPECS	DATE	ENGINEER	WALTER P. MOORE			
ALL RE-ENTRANT CUTS MIN. 1/2" RAD. U/N		DRAWING TITLE					
ALL A325 BOLTS w/ONE HARD WASH. AND HVY HEX NUT		HANDRAIL @ UPPER CONCOURSE					
ALL A307 BOLTS w/HEX NUT							
DATE	APP	SHOP	FIELD	2044 BUCK LANE LEXINGTON, KENTUCKY 40511 PHONE: 606-233-4344 FAX: 606-233-4346			
				ORDER NO.	P3524		
				SHEET NO.	724		
MID STATES STEEL PRODUCTS CO. FABRICATORS OF STRUCTURAL AND MISCELLANEOUS STEEL							

BILL OF MATERIAL

SHIP MARK SUB MARK	NO. PCS.	DESCRIPTION	LENGTH		CUT LIST	REMARKS
			FT.	IN.		
725H1 L	ONE	HANDRAIL				
A722	1	FB1/4X3	3	2-1/2		P
B721	2	FB1/2X3	3	2-1/2		SHAPE
D725	2	C10X15.3	14	8-1/16		SC2E
725H1 R	ONE	HANDRAIL				
A722	1	FB1/4X3	3	2-1/2		P
B721	2	FB1/2X3	3	2-1/2		SHAPE
D725	2	C10X15.3	14	8-1/16		SC2E
725M1	2	HR PANELS (SHOP ATT)				
AA716	4	L1X1X1/8	0	9-5/8		CTF
BB725	4	L1X1X1/8	2	6-3/8		
CC725	2	XPAN MTL 1-1/2-9 X 9-1/8	2	5-5/8		FLAT/GALV
		FIELD BOLTS				
F1228A	5	A325 3/4X1-3/4				



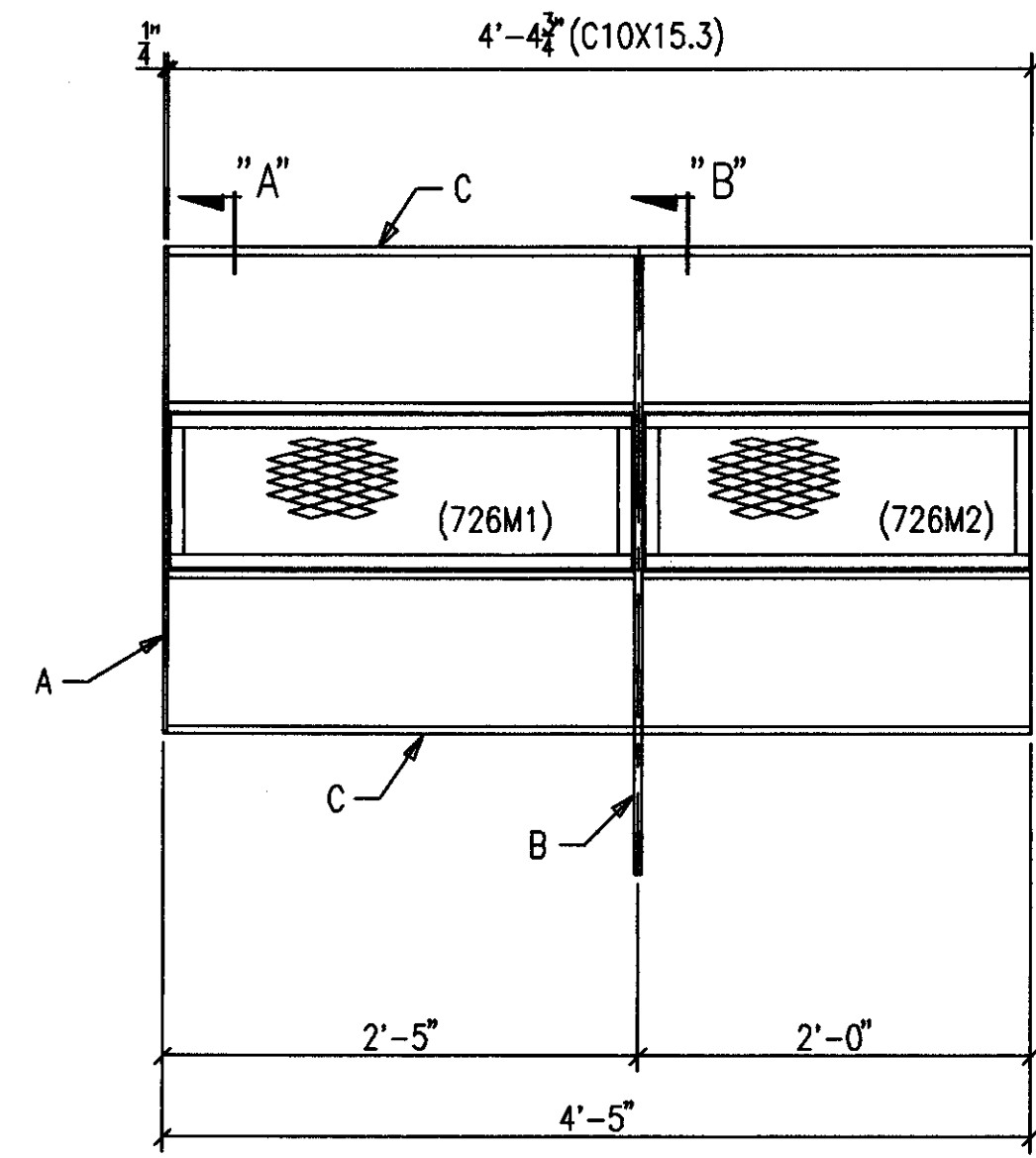
ONE-HANDRAIL 725H1 R [AS SHOWN]  
 ONE-HANDRAIL 725H1 L [OPP HAND]  
 4-A325 3/4 X 1 3/4 F1228A



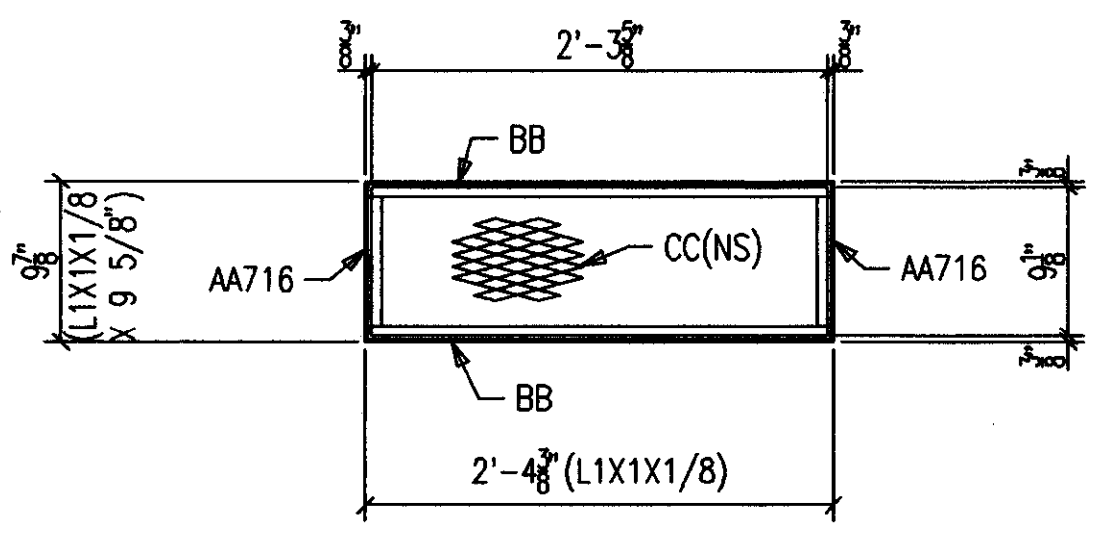
**AS BUILT**  
 NAME: Max Hughes  
 DATE: AUG 16 1999

DATE	APP	SHOP	FIELD

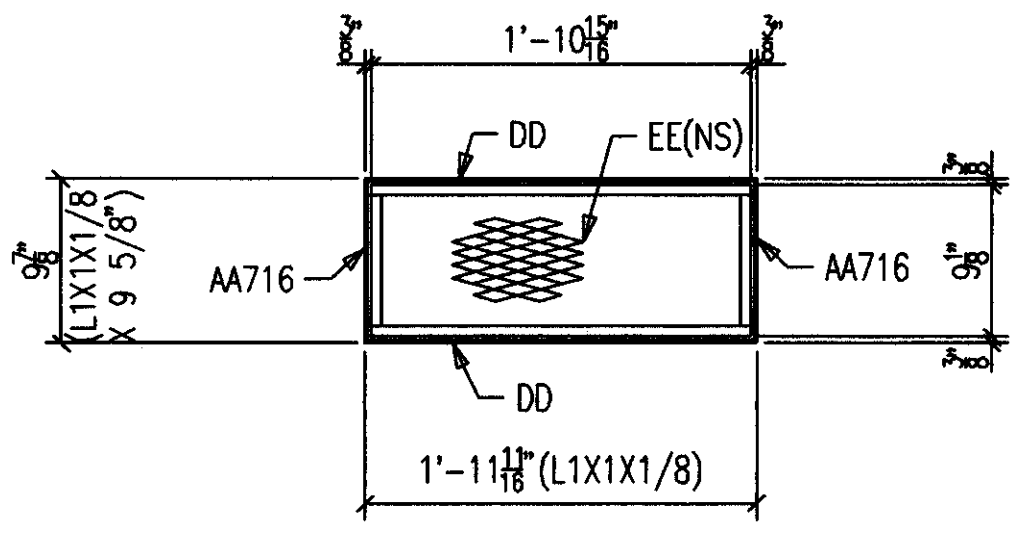
NO. DATE		REVISION DESCRIPTION		DRAWN	CHKD
CONTRACTOR TO CHECK ALL DIMENSIONS AT JOB AS MID STATES STEEL PRODUCTS CO. ASSUMES NO RESPONSIBILITY FOR GENERAL BUILDING DIMENSIONS. NO BACK CHARGES PERTAINING TO THIS WORK WILL BE ACCEPTED WITHOUT PRIOR AUTHORIZATION BY MID STATES STEEL PRODUCTS CO.					
MATERIAL U/A	A36	DRAWN BY	SC	JOB NAME	COMMONWEALTH STADIUM EXPANSION
OPEN HOLES U/A	13/16" Ø	DATE	4/99	JOB LOCATION	UNIVERSITY OF KENTUCKY
WELD ELECTRODE U/A	E70XX	CHECKED BY	CONTRACTOR	TURNER CONSTRUCTION COMPANY	
SHOP PAINT	SEE SPECS	DATE	ENGINEER	WALTER P. MOORE	
DRAWING TITLE: HANDRAIL @ UPPER CONCOURSE					
2044 BUCK LANE LEXINGTON, KENTUCKY 40511 PHONE: 606-233-4344 FAX: 606-233-4346				ORDER NO.	P3524
MID STATES STEEL PRODUCTS CO. FABRICATORS OF STRUCTURAL AND MISCELLANEOUS STEEL				SHEET NO.	725



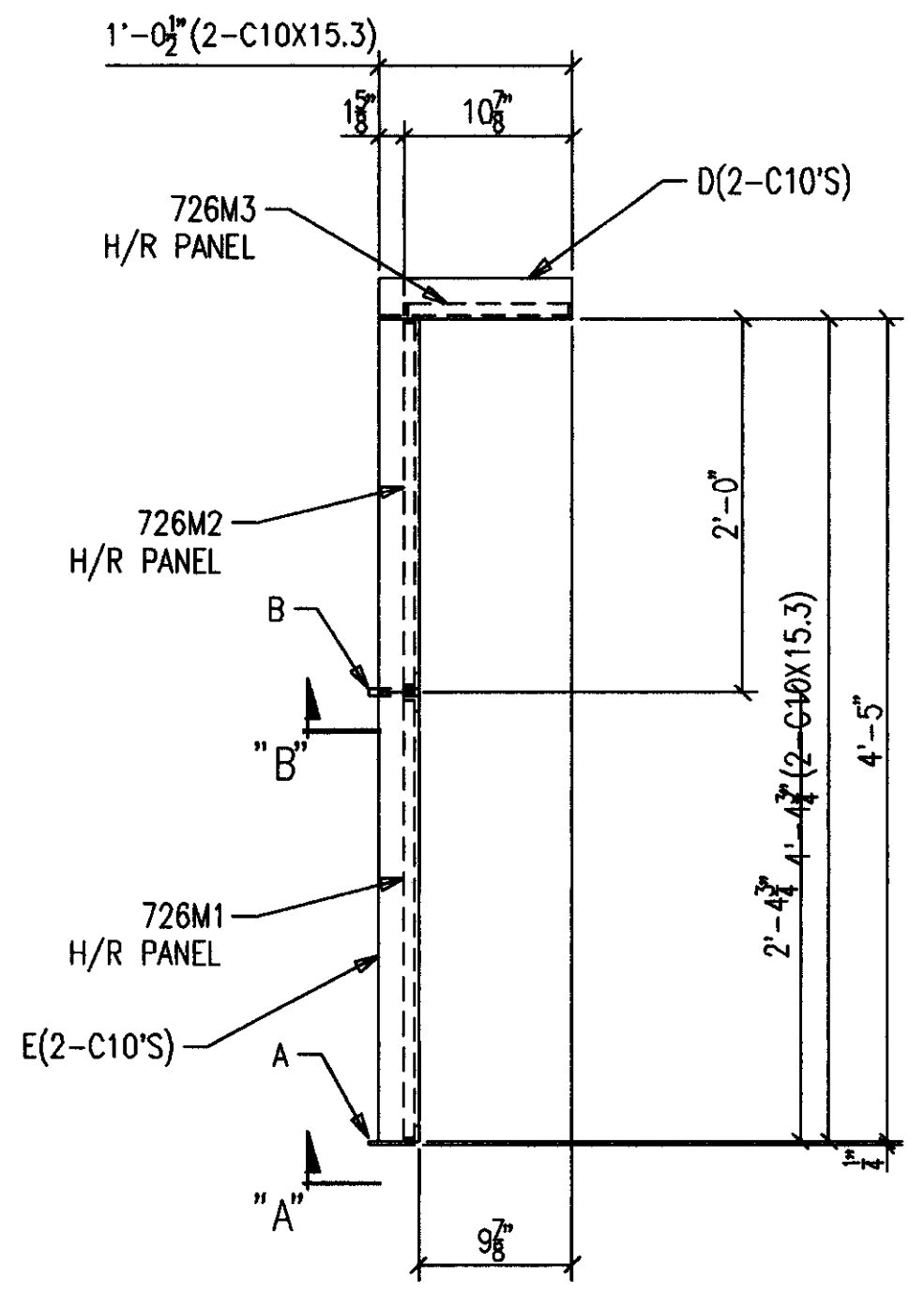
8-HANDRAILS 726H1 R [AS SHOWN]  
8-HANDRAILS 726H1 L [OPP HAND]



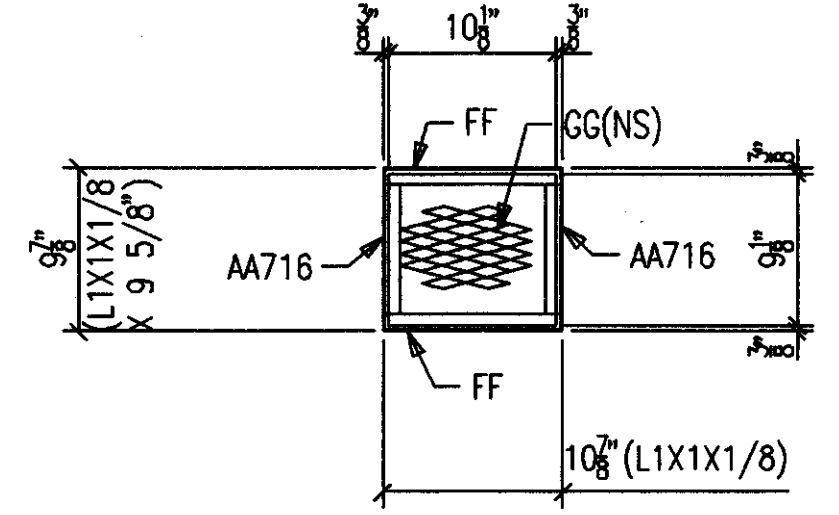
20-H/R PANELS 726M1  
(SHOP ATTACH)



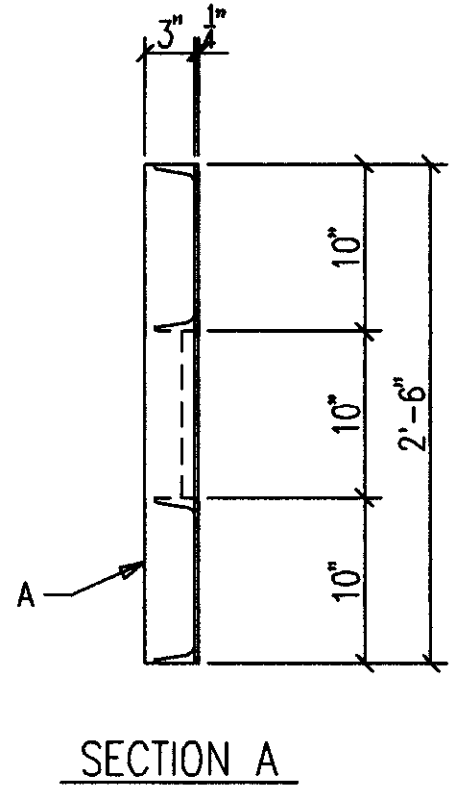
18-H/R PANELS 726M2  
(SHOP ATTACH)



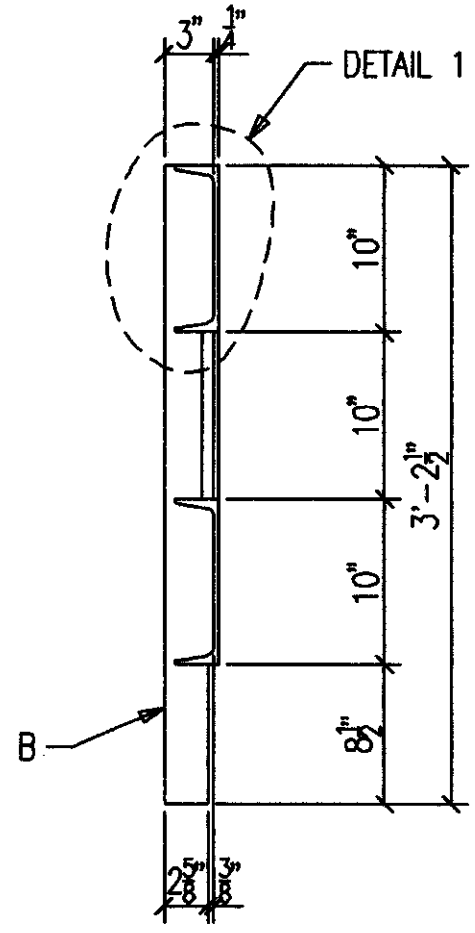
ONE-HANDRAIL 726H2 R [AS SHOWN]  
ONE-HANDRAIL 726H2 L [OPP HAND]



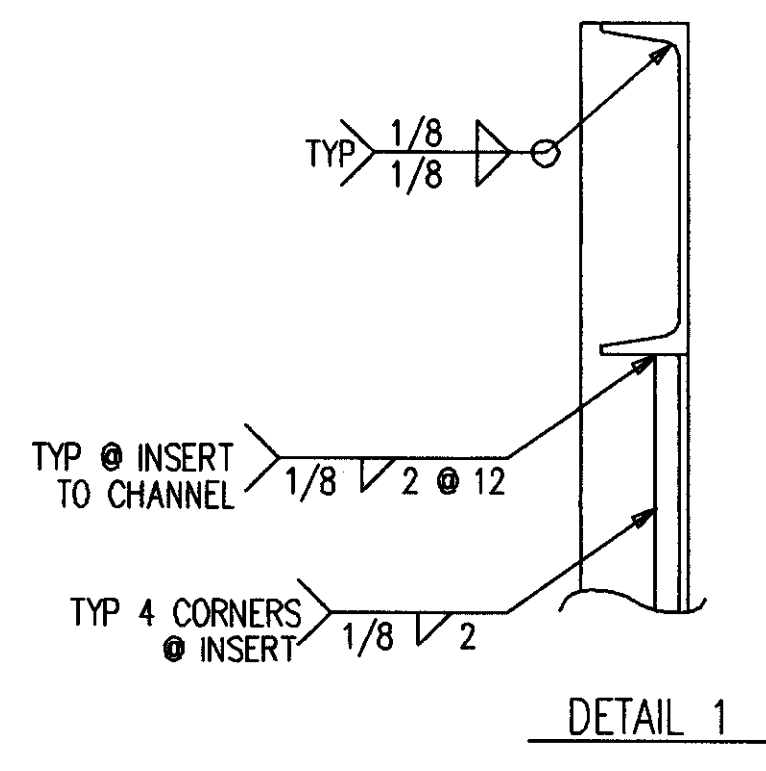
2-H/R PANELS 726M3  
(SHOP ATTACH)



SECTION A



SECTION B



DETAIL 1

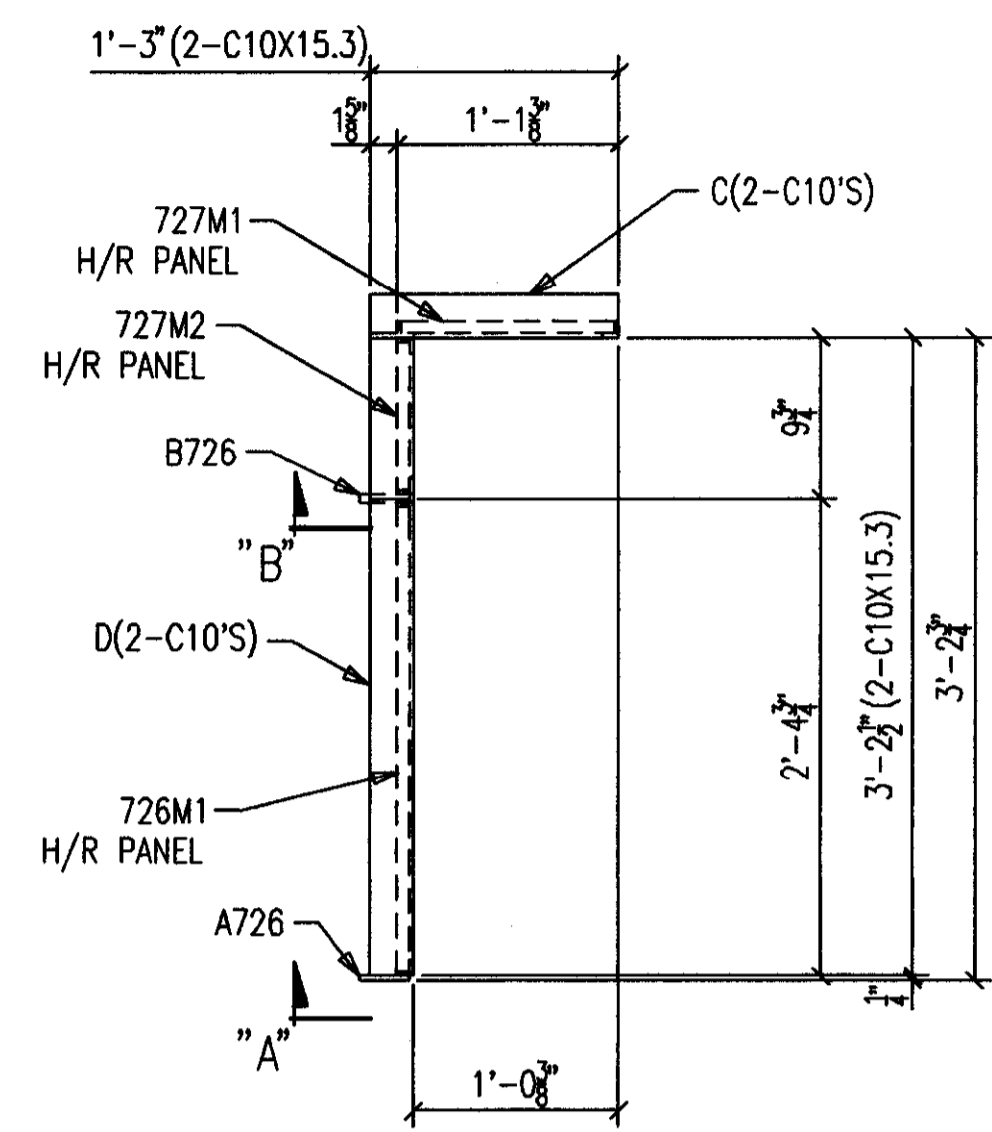
BILL OF MATERIAL

SHIP MARK SUB MARK	NO. PCS.	DESCRIPTION	LENGTH		CL UST	REMARKS
			FT.	IN.		
726H1 L	8	HANDRAILS				
A726	8	FB1/4X3	2	6		
B726	8	FB1/2X3	3	2-1/2		SHAPE
C726	16	C10X15.3	4	4-3/4		SC2E
726H1 R	8	HANDRAILS				
A726	8	FB1/4X3	2	6		
B726	8	FB1/2X3	3	2-1/2		SHAPE
C726	16	C10X15.3	4	4-3/4		SC2E
726H2 L	ONE	HANDRAIL				
A726	1	FB1/4X3	2	6		
B726	1	FB1/2X3	3	2-1/2		SHAPE
D726	2	C10X15.3	1	0-1/2		
E726	2	C10X15.3	4	4-3/4		SC2E
726H2 R	ONE	HANDRAIL				
A726	1	FB1/4X3	2	6		
B726	1	FB1/2X3	3	2-1/2		SHAPE
D726	2	C10X15.3	1	0-1/2		
E726	2	C10X15.3	4	4-3/4		SC2E
726M1	20	HR PANELS (SHOP ATT)				
AA716	40	L1X1X1/8	0	9-5/8		CTF
BB726	40	L1X1X1/8	2	4-3/8		
CC726	20	XPAN MTL 1-1/2-9 X 9-1/8	2	3-5/8		FLAT/GALV
726M2	18	HR PANELS (SHOP ATT)				
AA716	36	L1X1X1/8	0	9-5/8		CTF
DD726	36	L1X1X1/8	1	11-11/16		
EE726	18	XPAN MTL 1-1/2-9 X 9-1/8	1	10-15/16		FLAT/GALV
726M3	2	HR PANELS (SHOP ATT)				
AA716	4	L1X1X1/8	0	9-5/8		CTF
FF726	4	L1X1X1/8	0	10-7/8		
GG726	2	XPAN MTL 1-1/2-9 X 9-1/8	0	10-1/8		FLAT/GALV

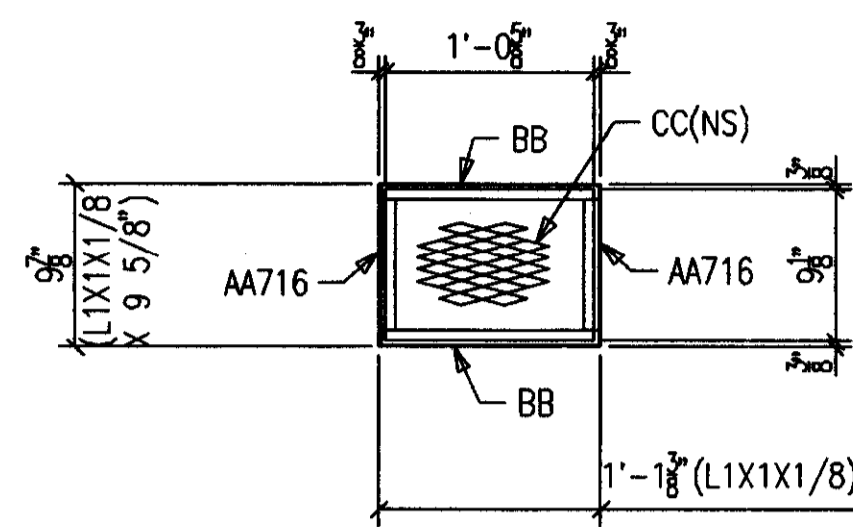
**AS BUILT**  
NAME: *Walter Moore*  
DATE: **AUG 16 1999**

NO.	DATE	REVISION DESCRIPTION	DWN.	CRD.
CONTRACTOR TO CHECK ALL DIMENSIONS AT JOB AS MID STATES STEEL PRODUCTS CO. ASSUMES NO RESPONSIBILITY FOR GENERAL BUILDING DIMENSIONS. NO BACK CHARGES PERTAINING TO THIS WORK WILL BE ACCEPTED WITHOUT PRIOR AUTHORIZATION BY MID STATES STEEL PRODUCTS CO.				
MATERIAL U/A	A36	DRAWN BY	SC	JOB NAME
OPEN HOLES U/A	13/16" Ø	DATE	4/99	JOB LOCATION
WELD ELECTRODE U/A	E70XX	CHECKED BY	CONTRACTOR	TURNER CONSTRUCTION COMPANY
SHOP PAINT	SEE SPECS	DATE	ENGINEER	WALTER P. MOORE
DRAWING TITLE: HANDRAIL @ UPPER CONCOURSE				
2044 BUCK LANE LEXINGTON, KENTUCKY 40511 PHONE: 606-233-4344 FAX: 606-233-4346				ORDER NO. <b>P3524</b>
MID STATES STEEL PRODUCTS CO. FABRICATORS OF STRUCTURAL AND MISCELLANEOUS STEEL				SHEET NO. <b>726</b>

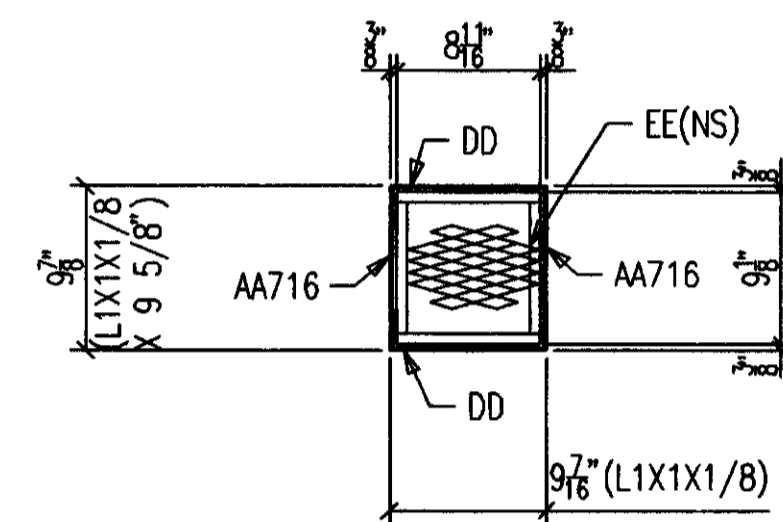




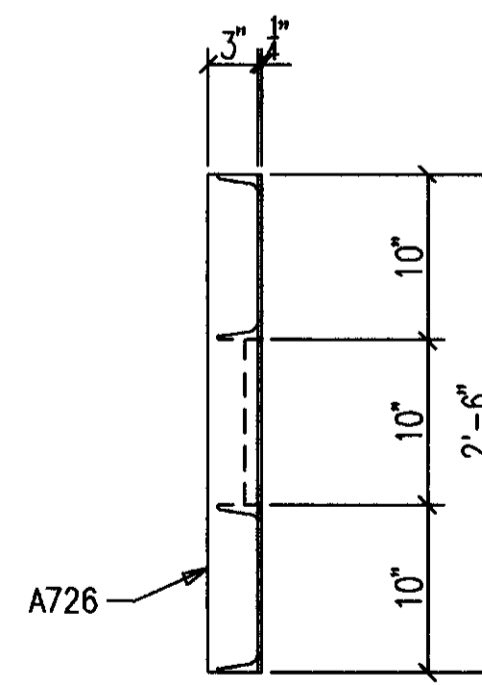
ONE-HANDRAIL 727H1 R [AS SHOWN]  
ONE-HANDRAIL 727H1 L [OPP HAND]



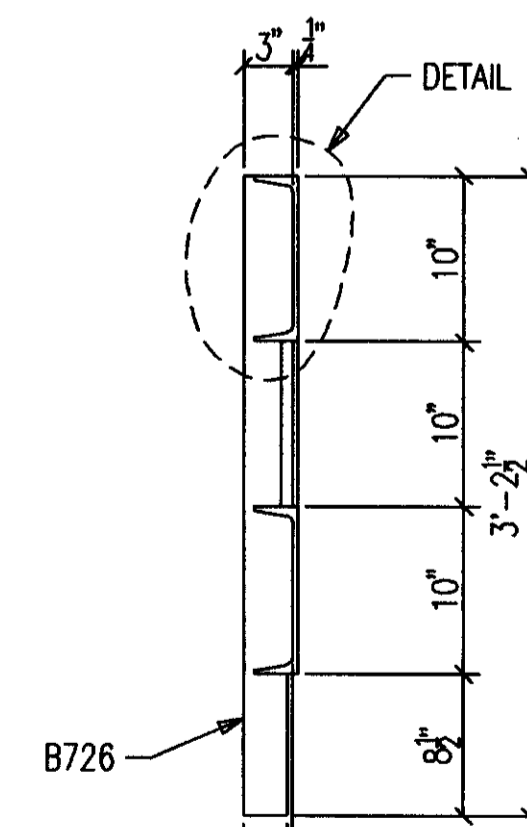
2-H/R PANELS 727M1  
(SHOP ATTACH)



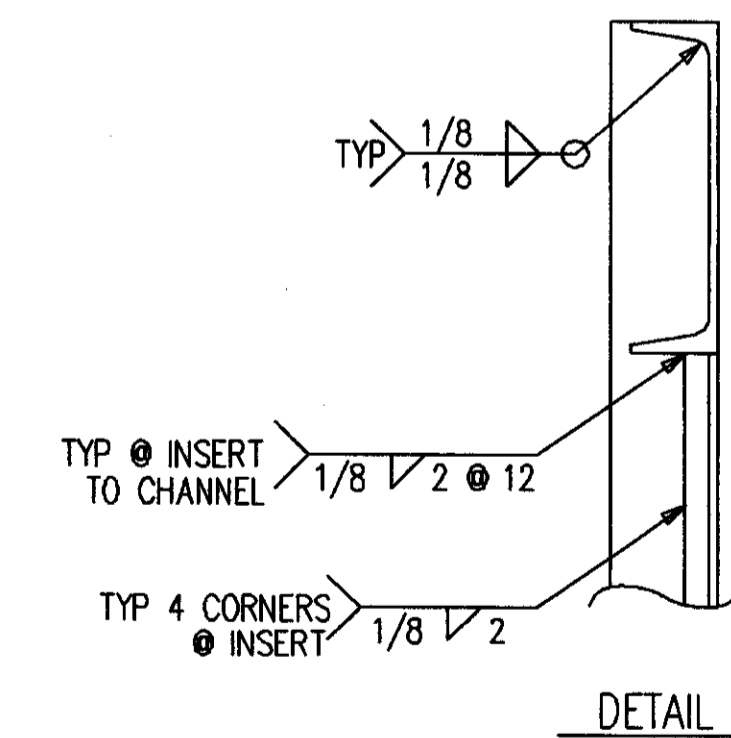
2-H/R PANELS 727M2  
(SHOP ATTACH)



SECTION A



SECTION B



DETAIL 1

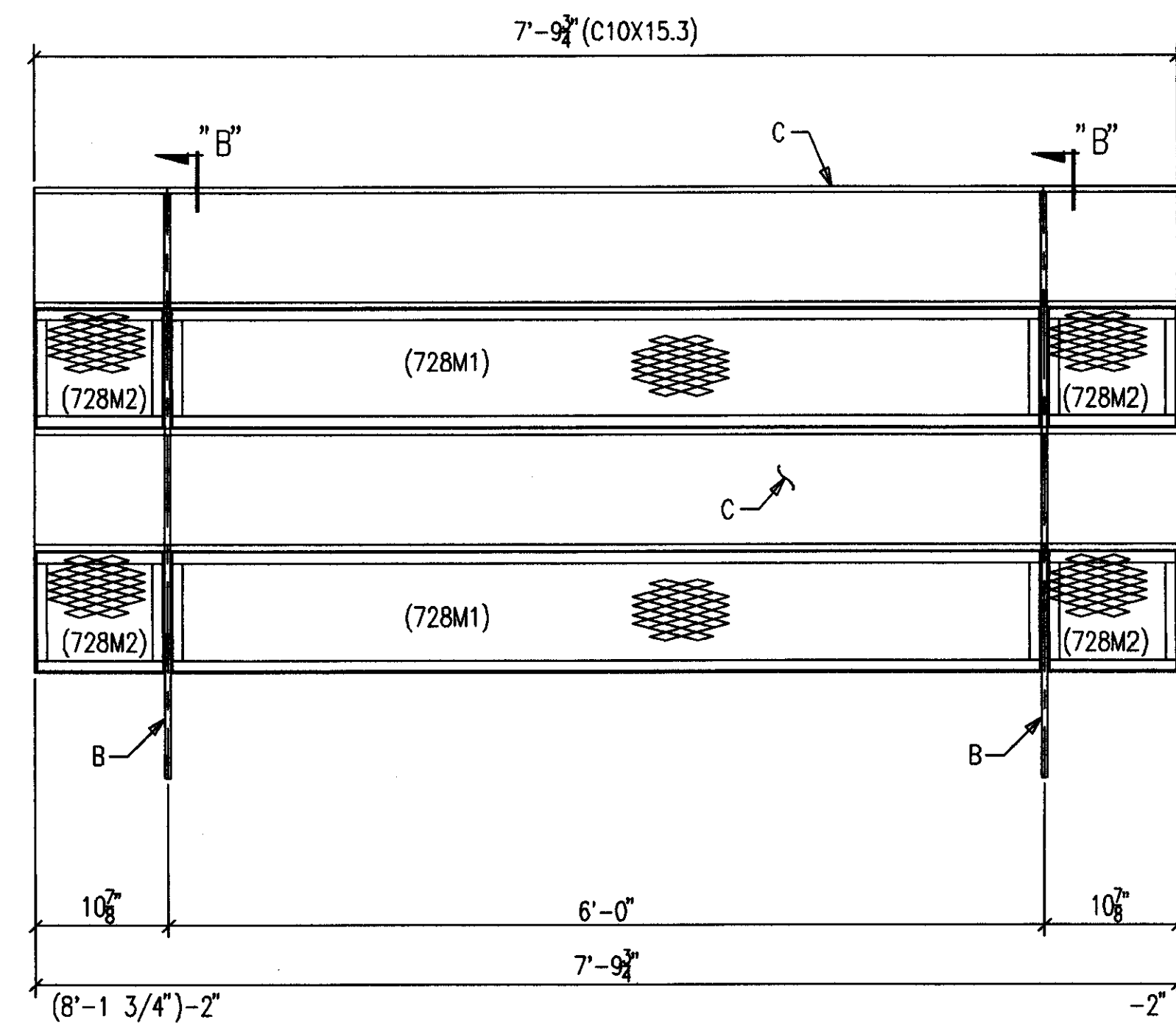
**AS BUILT**  
NAME: *Map Hughes*  
DATE: **AUG 16 1999**

ALL RE-ENTRANT CUTS MIN. 1/2" RAD. U/N	WELD ELECTRODE U/N E70XX	CHECKED BY CONTRACTOR	DATE	ENGINEER WALTER P. MOORE
ALL A325 BOLTS w/ONE HARD WASH. AND HVY HEX NUT	SHOP PAINT SEE SPECS	DATE		
ALL A307 BOLTS w/HEX NUT	DRAWING TITLE HANDRAIL @ UPPER CONCOURSE			
DATE	APP	SHOP	FIELD	

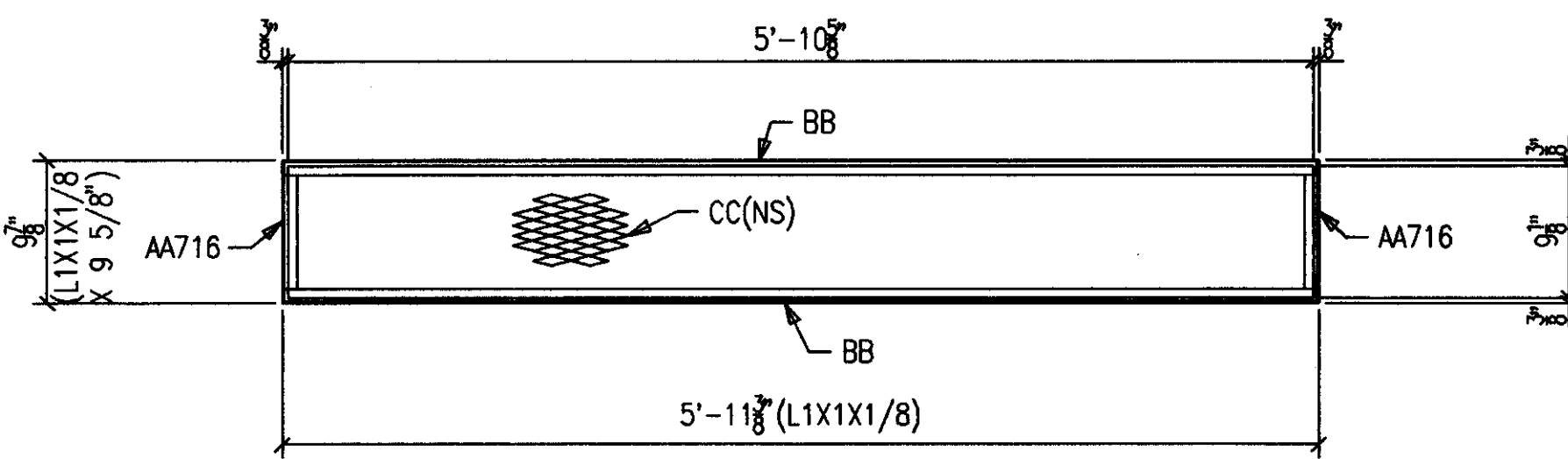
MATERIAL U/N A36		DRAWN BY SC	JOB NAME COMMONWEALTH STADIUM EXPANSION
OPEN HOLES U/N 13/16" Ø	DATE 4/99	JOB LOCATION UNIVERSITY OF KENTUCKY	
CONTRACTOR TO CHECK ALL DIMENSIONS AT JOB AS MID STATES STEEL PRODUCTS CO. ASSUMES NO RESPONSIBILITY FOR GENERAL BUILDING DIMENSIONS. NO BACK CHARGES PERTAINING TO THIS WORK WILL BE ACCEPTED WITHOUT PRIOR AUTHORIZATION BY MID STATES STEEL PRODUCTS CO.			

**MID STATES STEEL PRODUCTS CO.**  
2044 BUCK LANE  
LEXINGTON, KENTUCKY 40511  
PHONE: 606-233-4344 FAX: 606-233-4346  
FABRICATORS OF STRUCTURAL AND MISCELLANEOUS STEEL

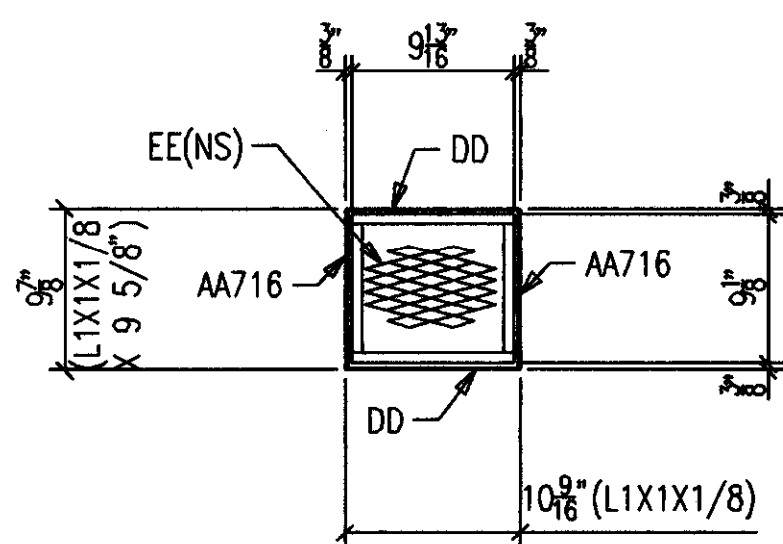
SHIP MARK SUB MARK	NO. PCS.	DESCRIPTION	LENGTH		C U S T	REMARKS
			FT.	IN.		
727H1 L	ONE	HANDRAIL				
A726	1	FB1/4X3	2	6		
B726	1	FB1/2X3	3	2-1/2		SHAPE
C727	2	C10X15.3	1	3		
D727	2	C10X15.3	3	2-1/2		SC2E
727H1 R	ONE	HANDRAIL				
A726	1	FB1/4X3	2	6		
B726	1	FB1/2X3	3	2-1/2		SHAPE
C727	2	C10X15.3	1	3		
D727	2	C10X15.3	3	2-1/2		SC2E
727M1	2	HR PANELS (SHOP ATT)				
AA716	4	L1X1X1/8	0	9-5/8		CTF
BB727	4	L1X1X1/8	1	1-3/8		FLAT/GALV
CC727	2	XPAN MTL 1-1/2-9 X 9-1/8	1	0-5/8		FLAT/GALV
727M2	2	HR PANELS (SHOP ATT)				
AA716	4	L1X1X1/8	0	9-5/8		CTF
DD727	4	L1X1X1/8	0	9-7/16		
EE727	2	XPAN MTL 1-1/2-9 X 9-1/8	0	8-11/16		FLAT/GALV
727M3	50	HR CONNECTION CLIPS				PLAIN MAT
727M3	50	L4X4X3/8	0	5-1/2		PLAIN MAT



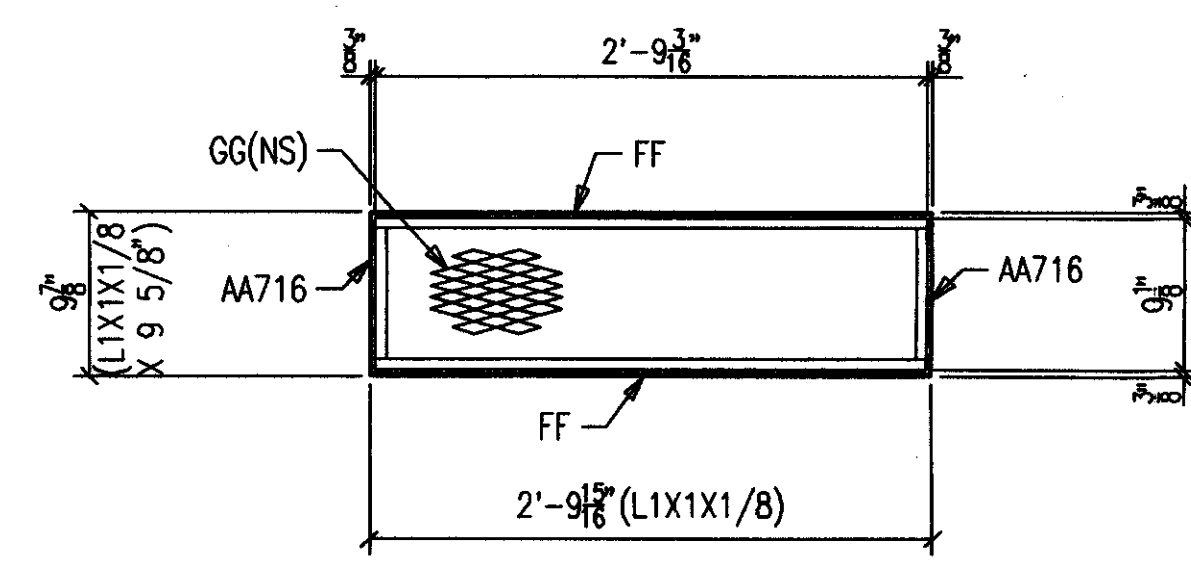
ONE-HANDRAIL 728H1



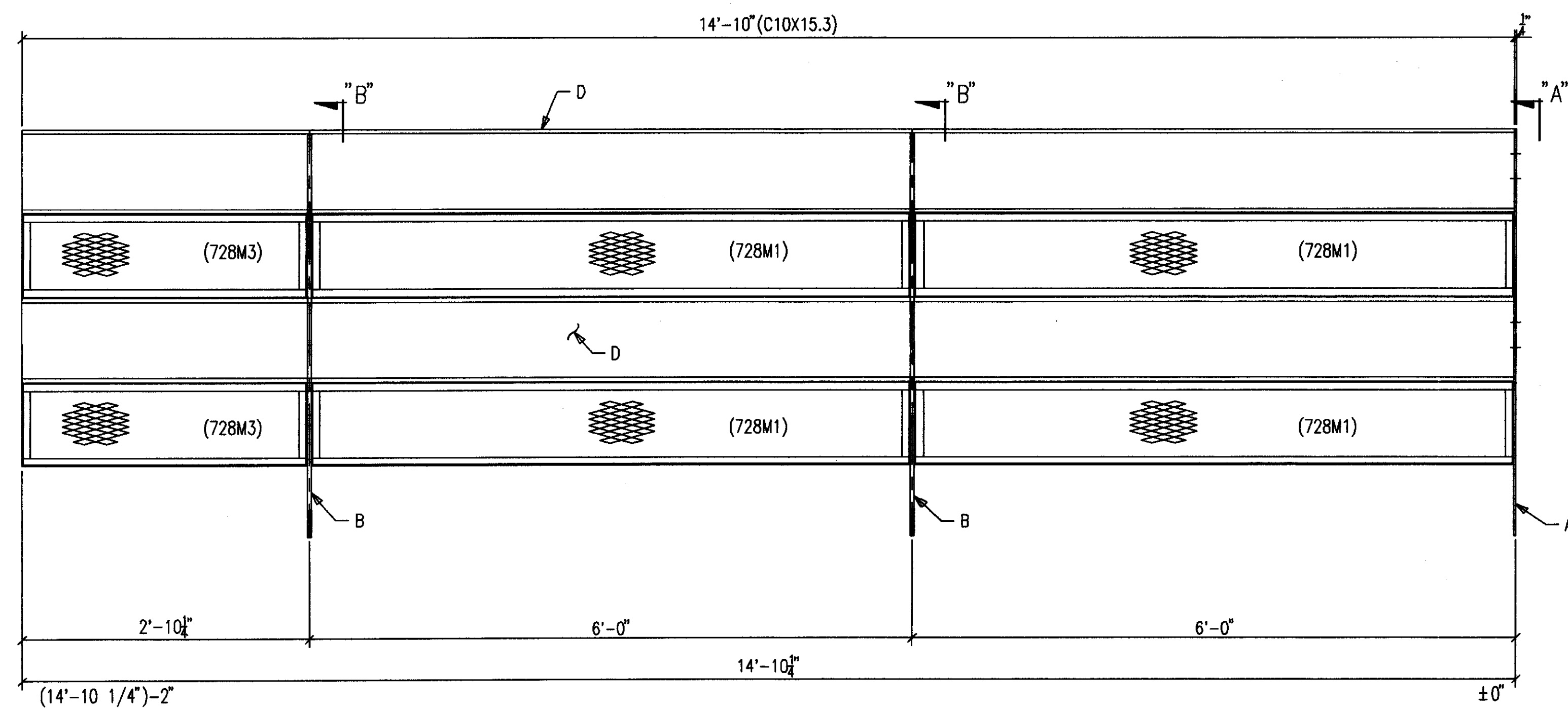
14-H/R PANELS 728M1  
(SHOP ATTACH)



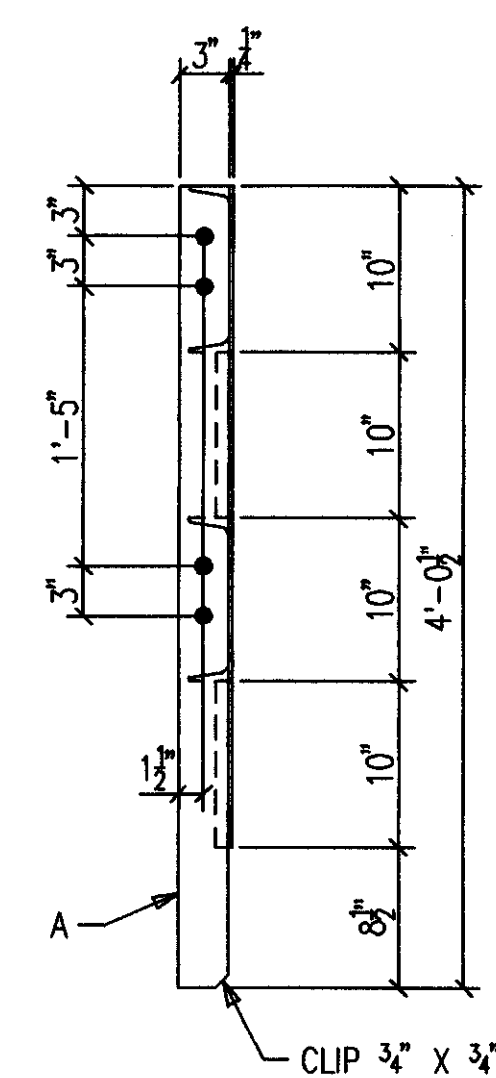
4-H/R PANELS 728M2  
(SHOP ATTACH)



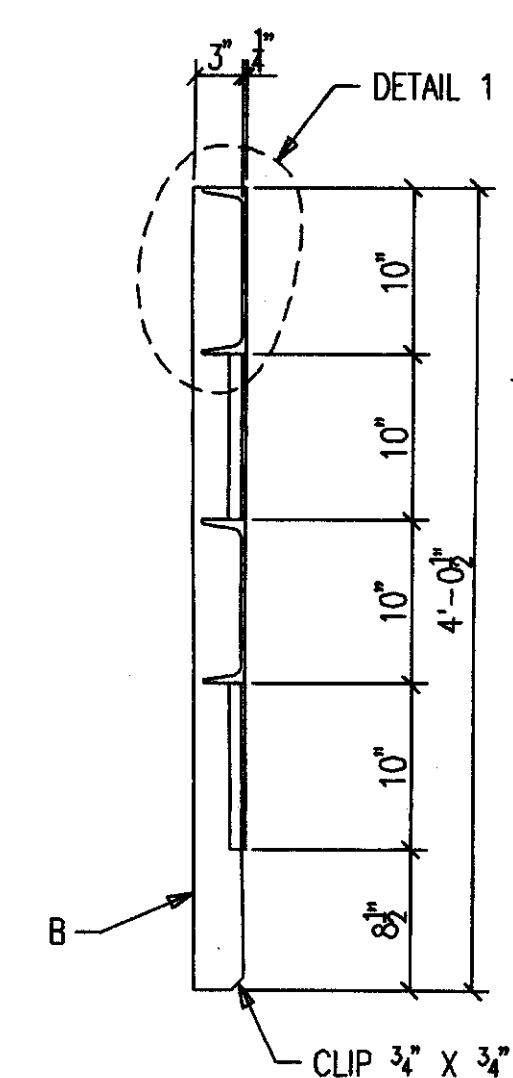
4-H/R PANELS 728M3  
(SHOP ATTACH)



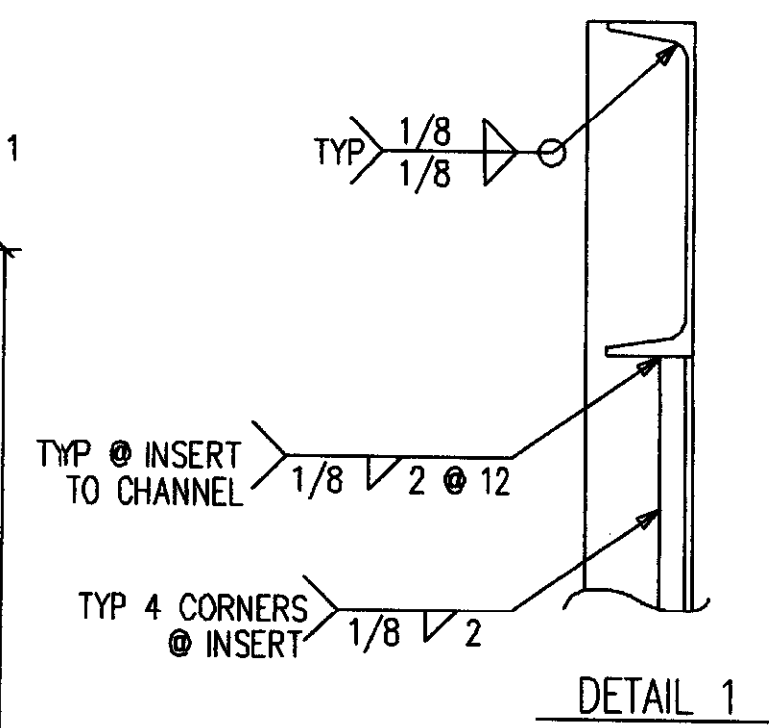
ONE-HANDRAIL 728H2 R [AS SHOWN]  
ONE-HANDRAIL 728H2 L [OPP HAND]  
4-A325 3/4 X 1 3/4 F1228A



SECTION A



SECTION B



DETAIL 1

**AS BUILT**  
NAME: *Map. Hughes*  
DATE: **AUG 16 1999**

NO.	DATE	REVISION DESCRIPTION	BY	CHKD.

CONTRACTOR TO CHECK ALL DIMENSIONS AT JOB AS MID STATES STEEL PRODUCTS CO. ASSUMES NO RESPONSIBILITY FOR GENERAL BUILDING DIMENSIONS. NO BACK CHARGES PERTAINING TO THIS WORK WILL BE ACCEPTED WITHOUT PRIOR AUTHORIZATION BY MID STATES STEEL PRODUCTS CO.

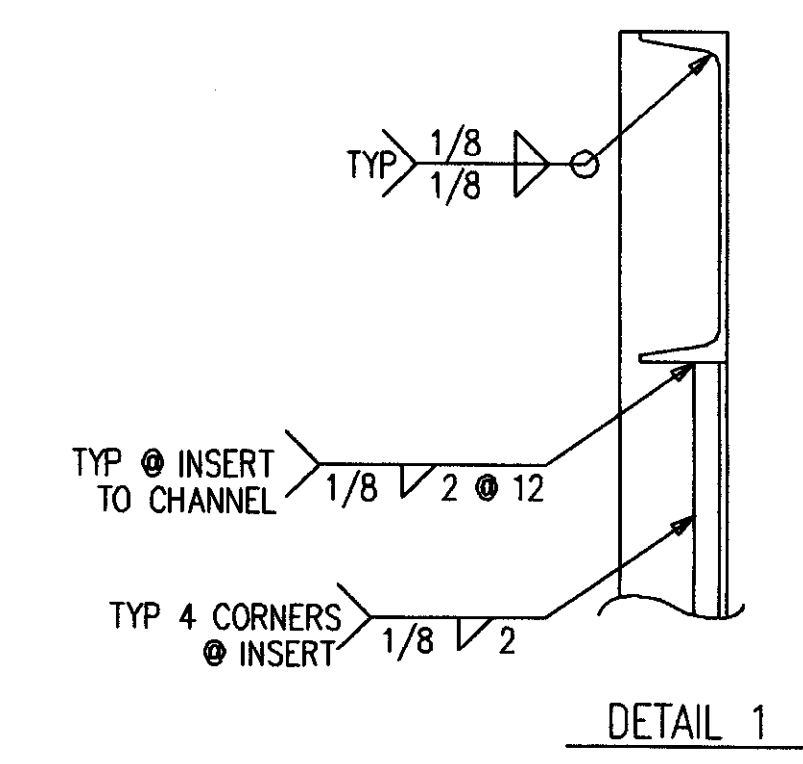
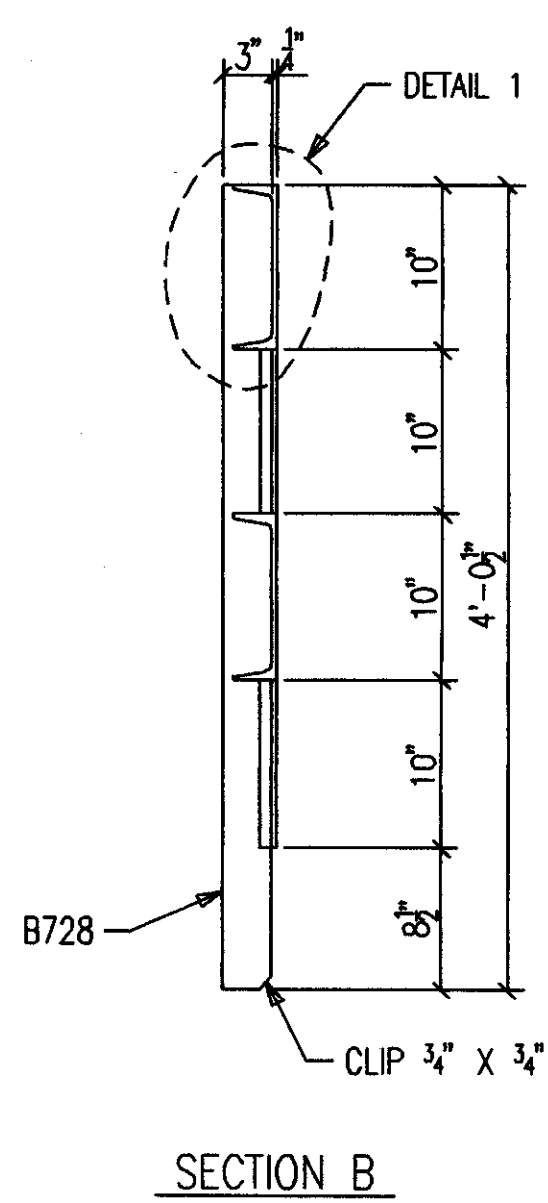
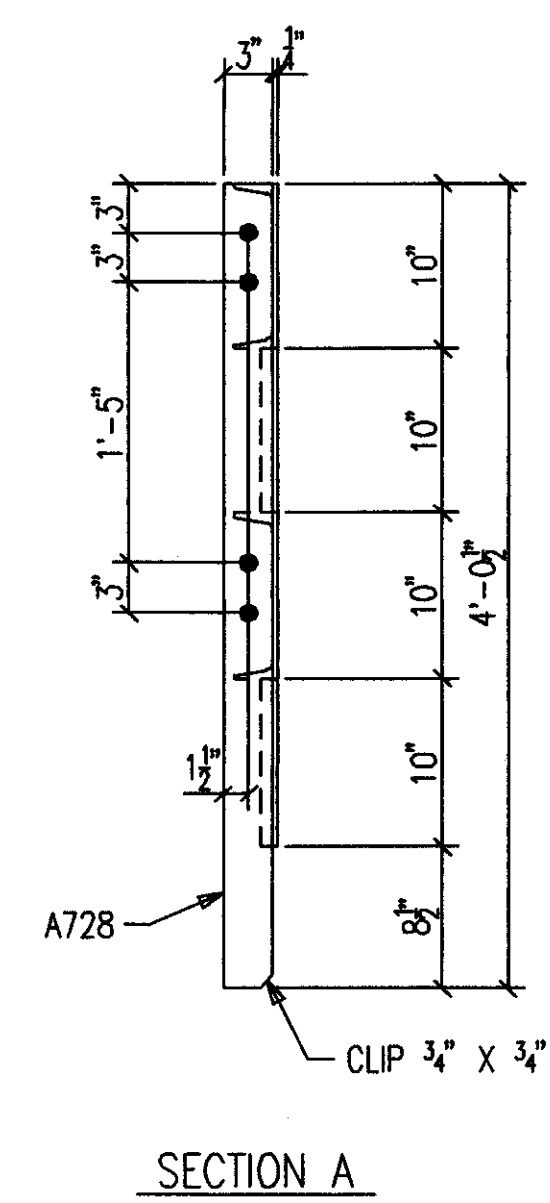
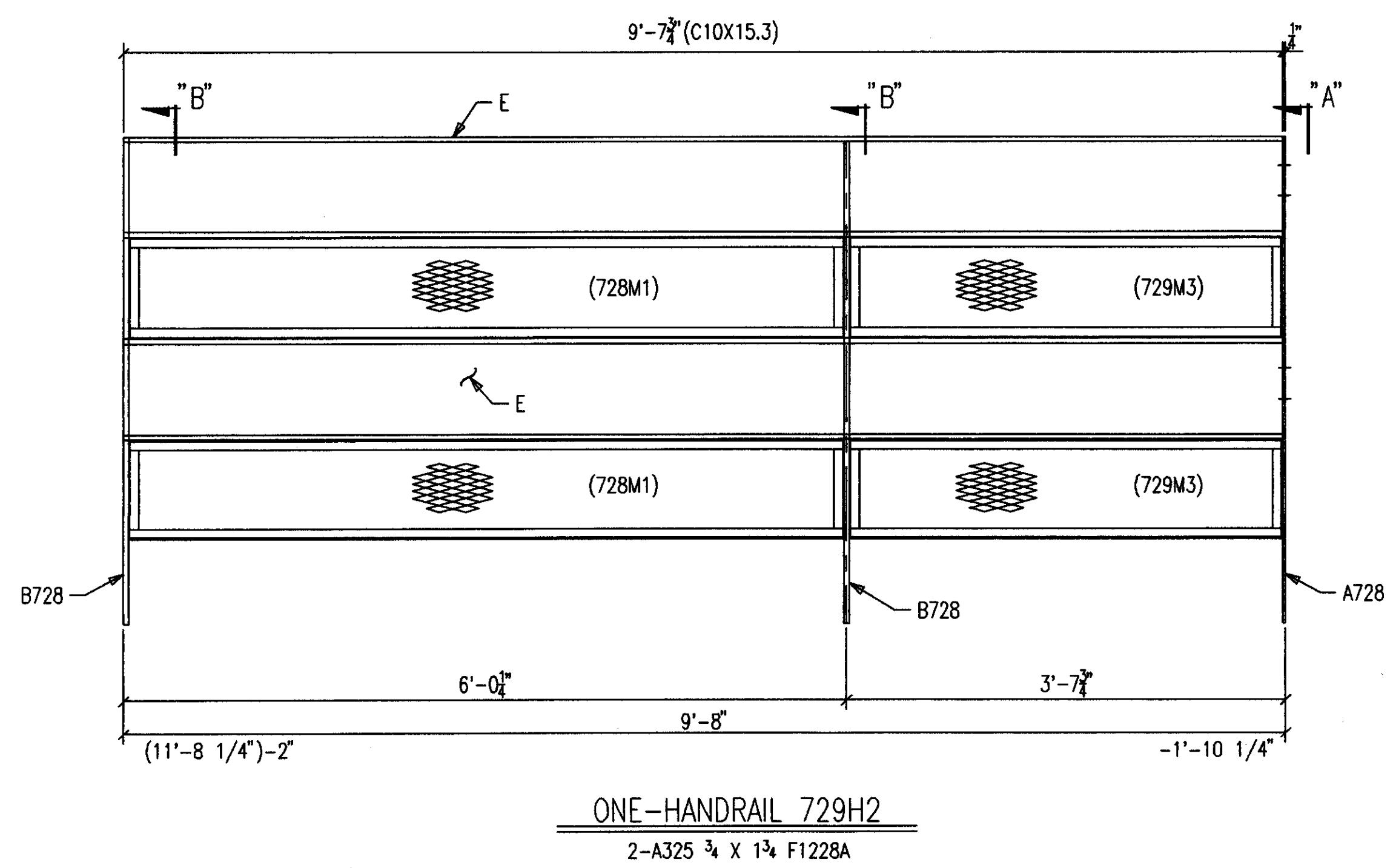
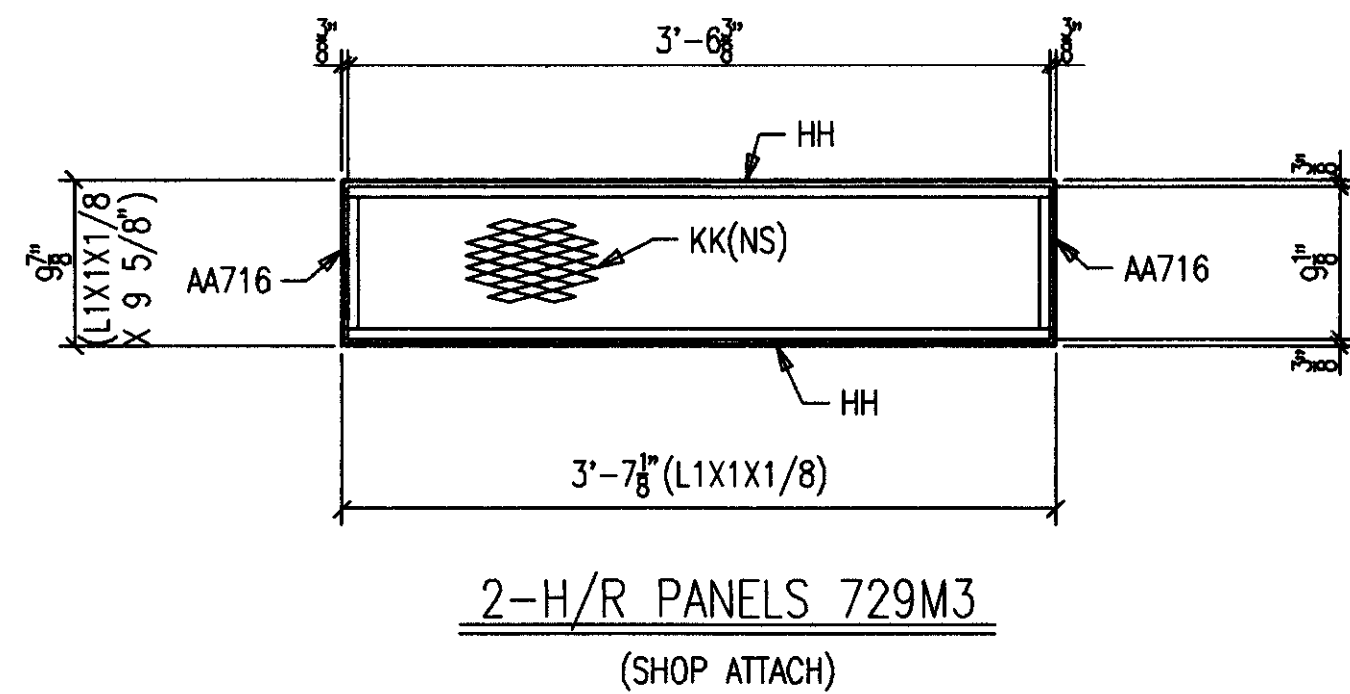
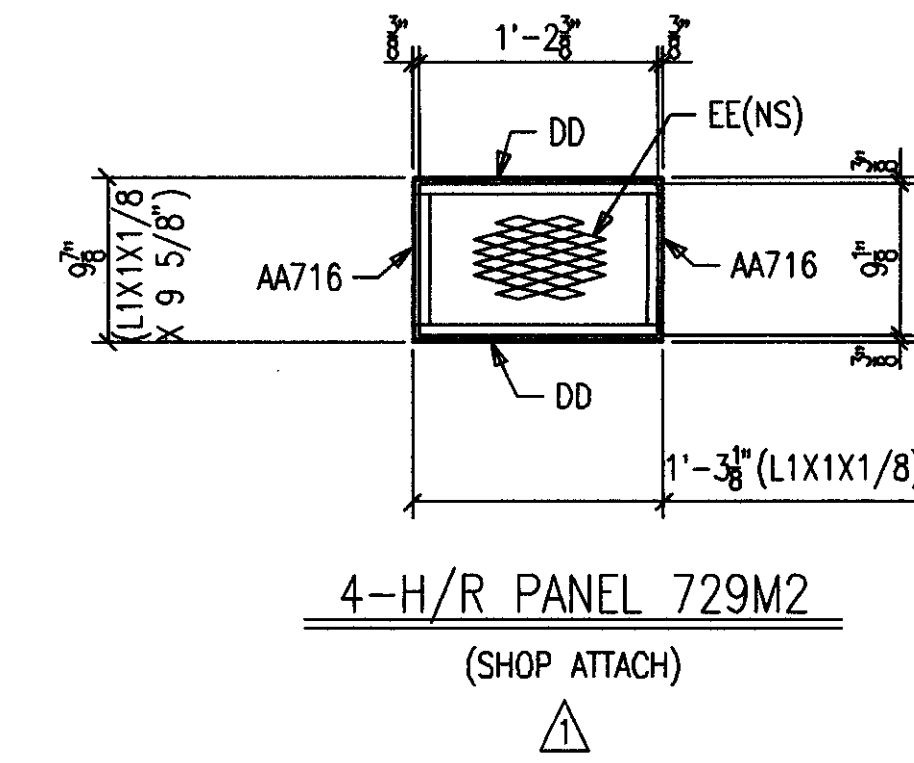
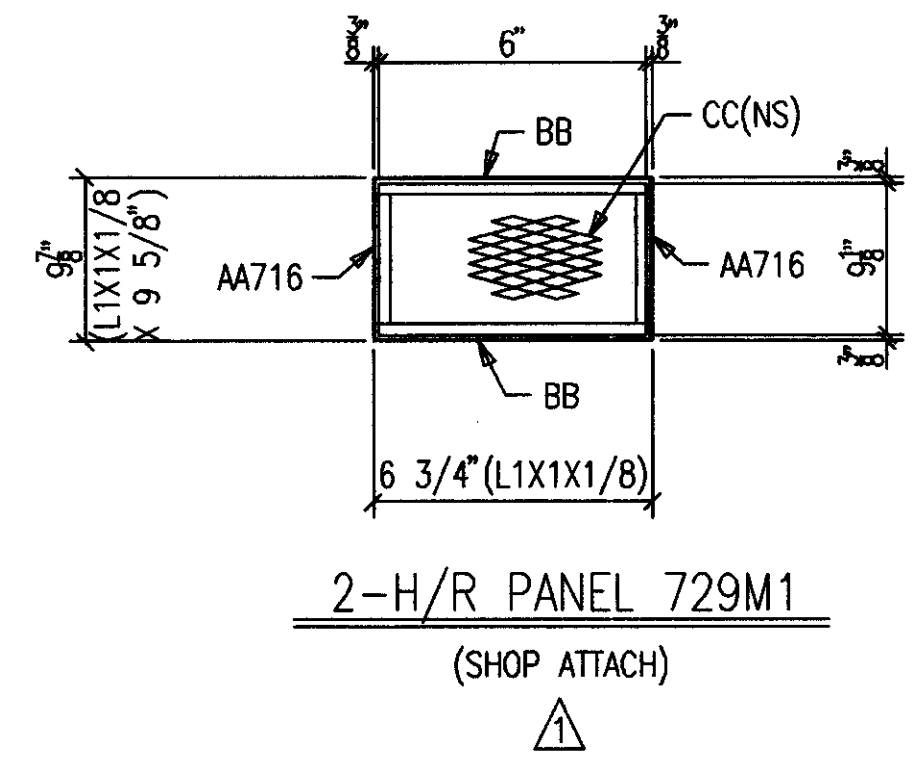
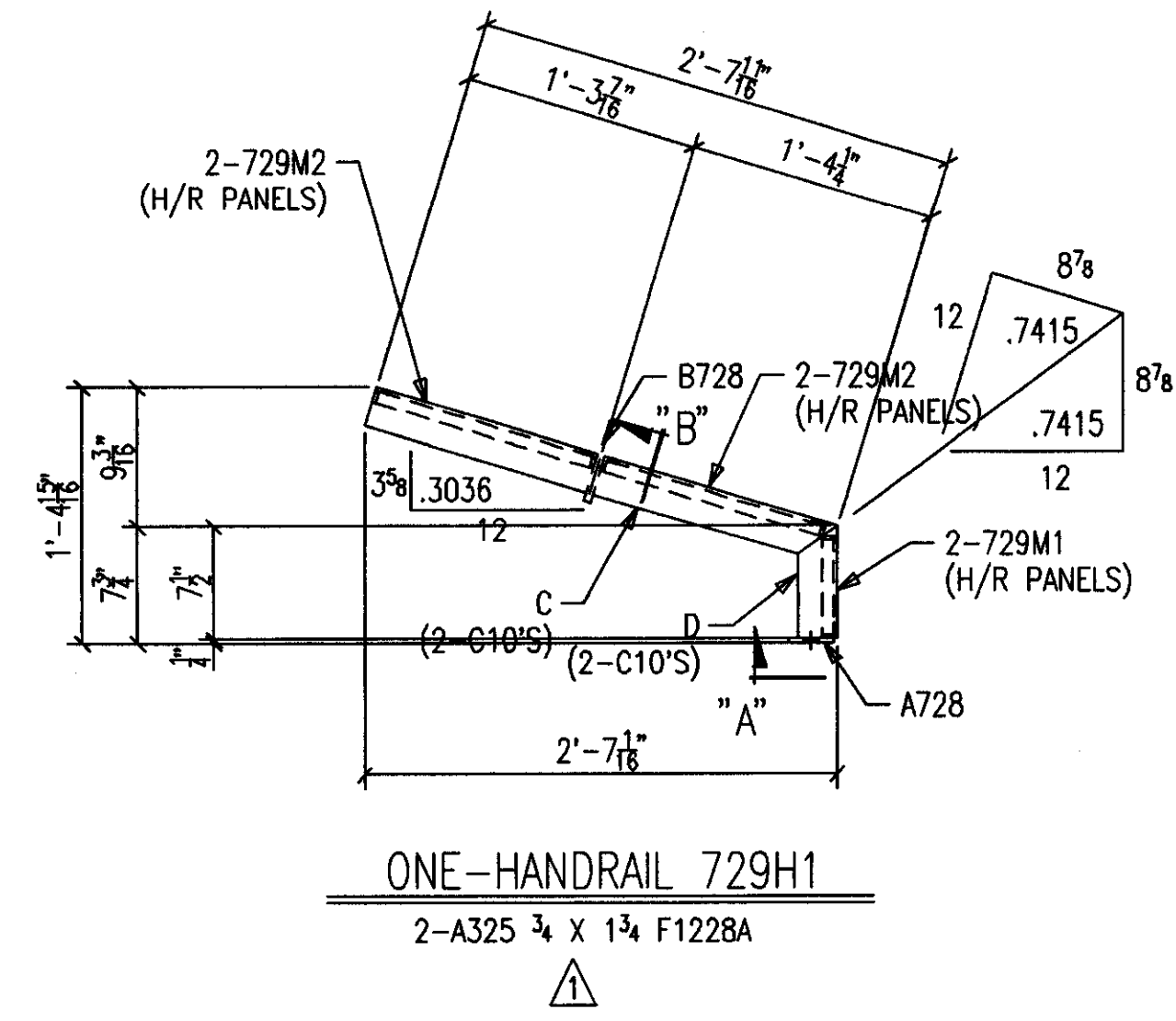
MATERIAL U/N	A36	DRAWN BY	SC	JOB NAME	COMMONWEALTH STADIUM EXPANSION
OPEN HOLES U/N	13/16" Ø	DATE	4/99	JOB LOCATION	UNIVERSITY OF KENTUCKY
WELD ELECTRODE U/N	E70XX	CHECKED BY		CONTRACTOR	TURNER CONSTRUCTION COMPANY
SHOP PAINT	SEE SPECS	DATE		ENGINEER	WALTER P. MOORE

DATE	APP.	SHOP	FIELD

**MID STATES STEEL PRODUCTS CO.**  
FABRICATORS OF STRUCTURAL AND MISCELLANEOUS STEEL  
2044 BUCK LANE  
LEXINGTON, KENTUCKY 40511  
PHONE: 606-233-4344 FAX: 606-233-4346

ORDER NO. **P3524**  
SHEET NO. **728**

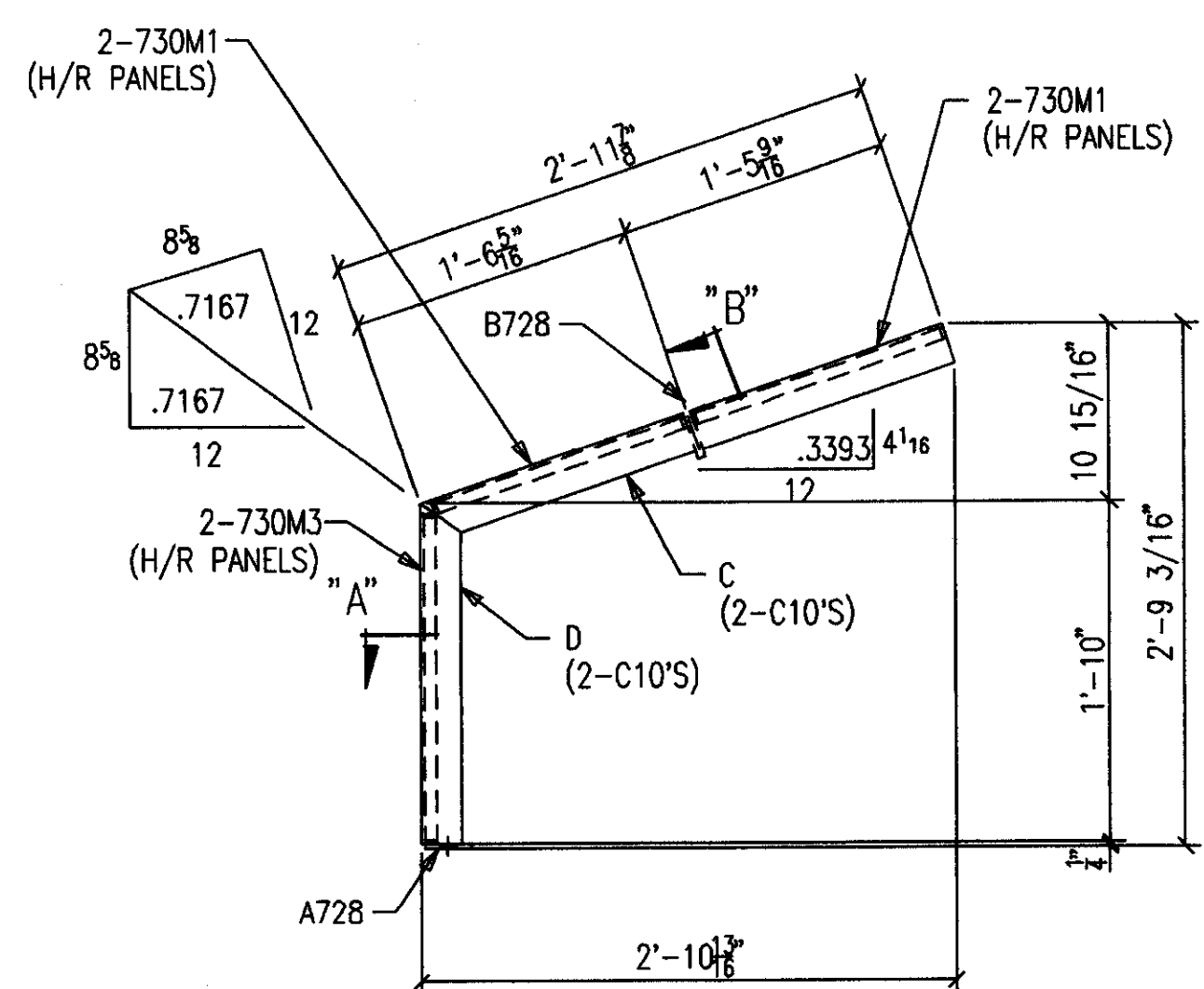
SHIP MARK SUB MARK	NO. PCS.	DESCRIPTION	LENGTH		REMARKS
			FT.	IN.	
728H1	ONE	HANDRAIL			
B728	2	FB1/2X3	4	0-1/2	SHAPE
C728	2	C10X15.3	7	9-3/4	
728H2 L	ONE	HANDRAIL			
A728	1	FB1/4X3	4	0-1/2	P
B728	2	FB1/2X3	4	0-1/2	SHAPE
C728	2	C10X15.3	14	10	SC2E
728H2 R	ONE	HANDRAIL			
A728	1	FB1/4X3	4	0-1/2	P
B728	2	FB1/2X3	4	0-1/2	SHAPE
C728	2	C10X15.3	14	10	SC2E
728M1	14	HR PANELS (SHOP ATT)			
AA716	28	L1X1X1/8	0	9-5/8	CTF
BB728	28	L1X1X1/8	5	11-3/8	
CC728	14	XPAN MTL 1-1/2-9 X 9-1/8	5	10-5/8	FLAT/GALV
728M2	4	HR PANELS (SHOP ATT)			
AA716	8	L1X1X1/8	0	9-5/8	CTF
DD728	8	L1X1X1/8	0	10-9/16	
EE728	4	XPAN MTL 1-1/2-9 X 9-1/8			FLAT/GALV
728M3	4	HR PANELS (SHOP ATT)			
AA716	8	L1X1X1/8	0	9-5/8	CTF
FF728	8	L1X1X1/8	2	9-15/16	
GG728	4	XPAN MTL 1-1/2-9 X 9-1/8	2	9-3/16	FLAT/GALV
F1228A	5	FIELD BOLTS A325 3/4X1-3/4			



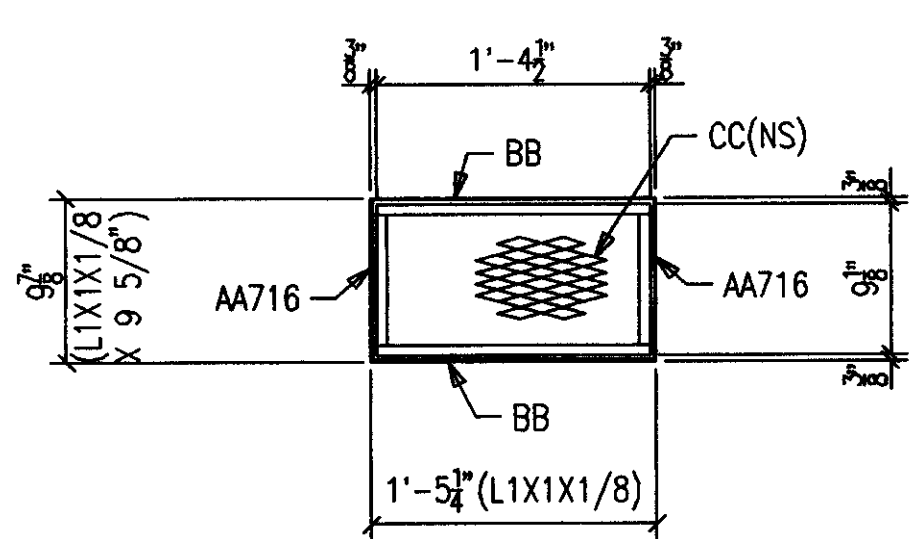
**AS BUILT**  
 NAME: *Mof Hughes*  
 DATE: **AUG 16 1999**

BILL OF MATERIAL						
SHIP MARK SUB MARK	NO. PCS.	DESCRIPTION	LENGTH		C U S T Y	REMARKS
			FT.	IN.		
729H1	ONE	HANDRAIL				
A728	1	FB1/4X3	4	0-1/2		P
B728	1	FB1/2X3	4	0-1/2		SHAPE
C729	2	C10X15.3	2	7-11/16		BC1E
D729	2	C10X15.3	0	7-1/2		BC/SC1E
729H2	ONE	HANDRAIL				
A728	1	FB1/4X3	4	0-1/2		P
B728	2	FB1/2X3	4	0-1/2		SHAPE
E729	2	C10X15.3	9	7-3/4		SC2E
729M1	2	HR PANELS (SHOP ATT)				
AA716	4	L1X1X1/8	0	9-5/8		CTF
BB729	4	L1X1X1/8	0	6-3/4		
CC729	2	XPAN MTL 1-1/2-9				
		X 9-1/8	0	6		FLAT/GALV
729M2	4	HR PANELS (SHOP ATT)				
AA716	8	L1X1X1/8	0	9-5/8		CTF
DD729	8	L1X1X1/8	1	3-1/8		
EE729	4	XPAN MTL 1-1/2-9				
		X 9-1/8	1	2-3/8		FLAT/GALV
729M3	2	HR PANELS (SHOP ATT)				
AA716	4	L1X1X1/8	0	9-5/8		CTF
HH729	4	L1X1X1/8	3	7-1/8		
KK729	2	XPAN MTL 1-1/2-9				
		X 9-1/8	3	6-3/8		FLAT/GALV
		FIELD BOLTS				
F1228A	5	A325 3/4X1-3/4				

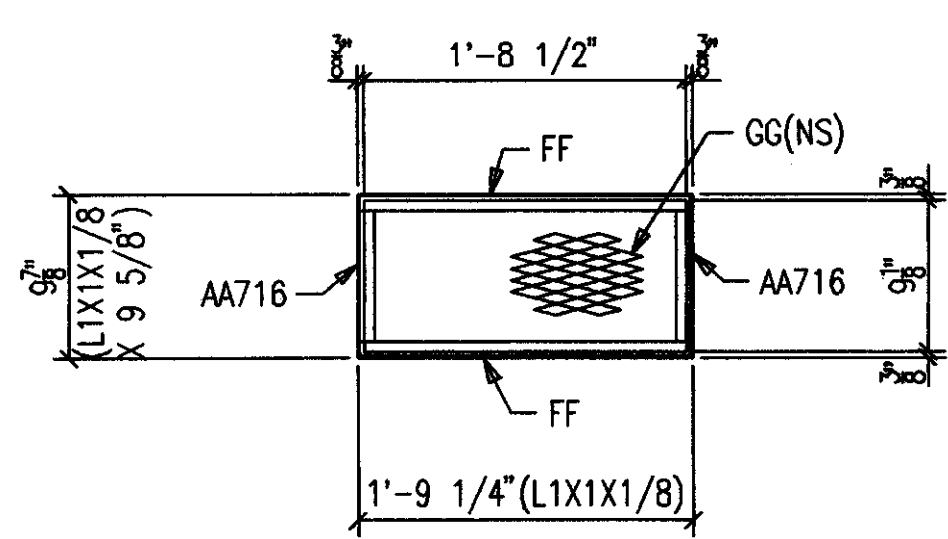
1 7/6/99 REVISED H1, M1, M2		SC
CONTRACTOR TO CHECK ALL DIMENSIONS AT JOB AS MID STATES STEEL PRODUCTS CO. ASSUMES NO RESPONSIBILITY FOR GENERAL BUILDING DIMENSIONS. NO BACK CHARGES PERTAINING TO THIS WORK WILL BE ACCEPTED WITHOUT PRIOR AUTHORIZATION BY MID STATES STEEL PRODUCTS CO.		
MATERIAL U/N A36	DRAWN BY SC	JOB NAME COMMONWEALTH STADIUM EXPAN 'ON
OPEN HOLES U/N 13/16" ø	DATE 4/99	JOB LOCATION UNIVERSITY OF KENTUCKY
WELD ELECTRODE U/N E70XX	CHECKED BY	CONTRACTOR TURNER CONSTRUCTION COMPANY
SHOP PAINT SEE SPECS	DATE	ENGINEER WALTER P. MOORE
DRAWING TITLE HANDRAIL @ UPPER CONCOURSE		
DATE	APP	SHOP
2044 BUCK LANE LEXINGTON, KENTUCKY 40511 PHONE: 606-233-4344 FAX: 606-233-4346		ORDER NO. P3524
MID STATES STEEL PRODUCTS CO. FABRICATORS OF STRUCTURAL AND MISCELLANEOUS STEEL		SHEET NO. 729



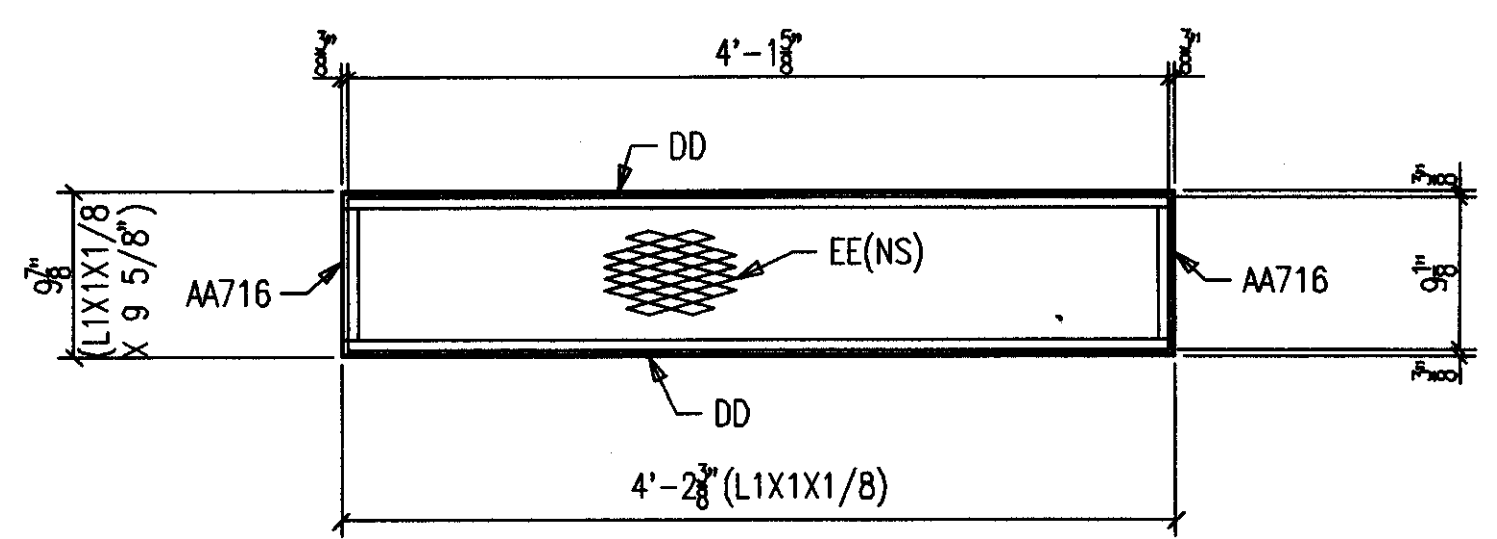
ONE-HANDRAIL 730H1  
2-A325 3/4 X 1 3/4 F1228A



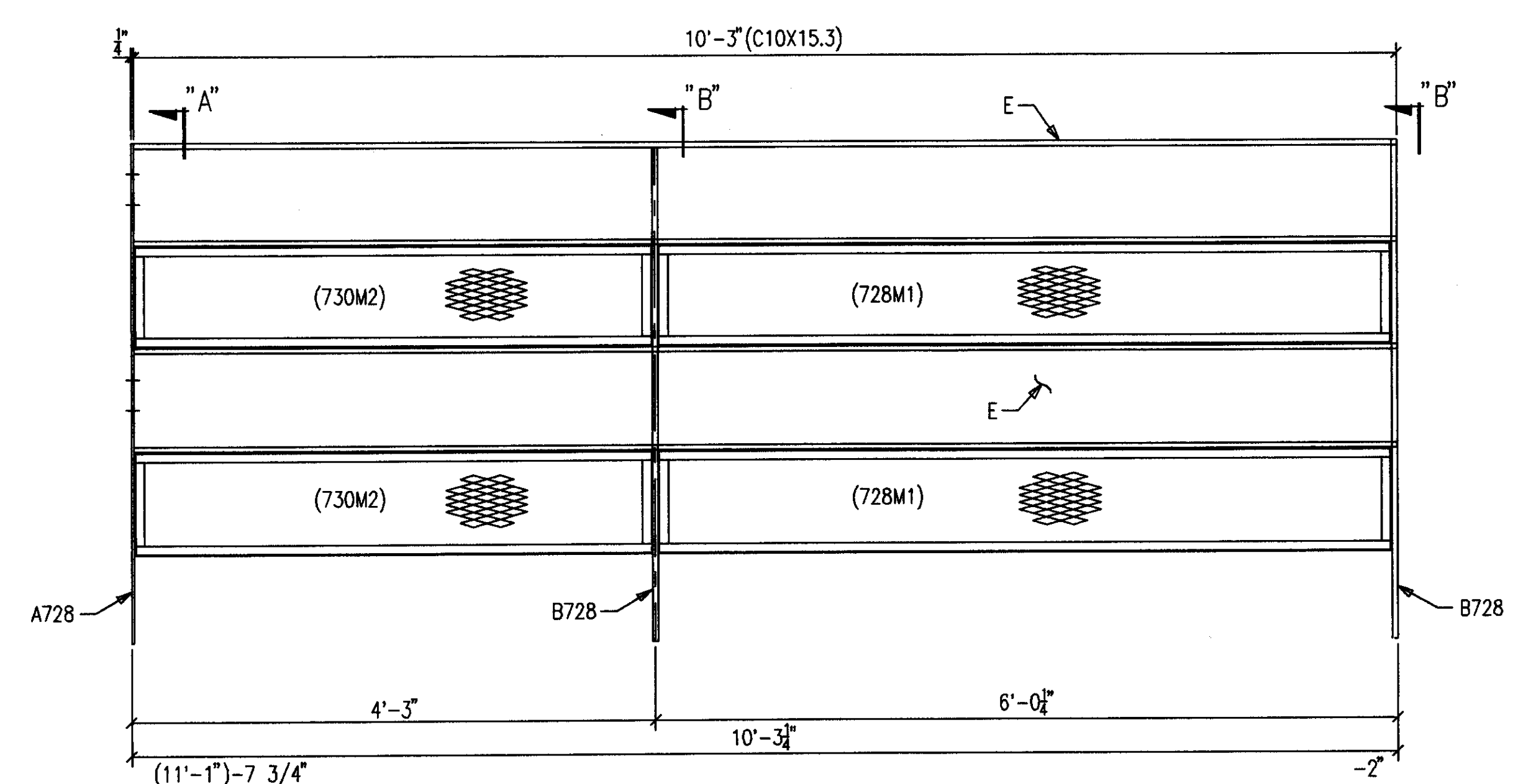
4-H/R PANEL 730M1  
(SHOP ATTACH)



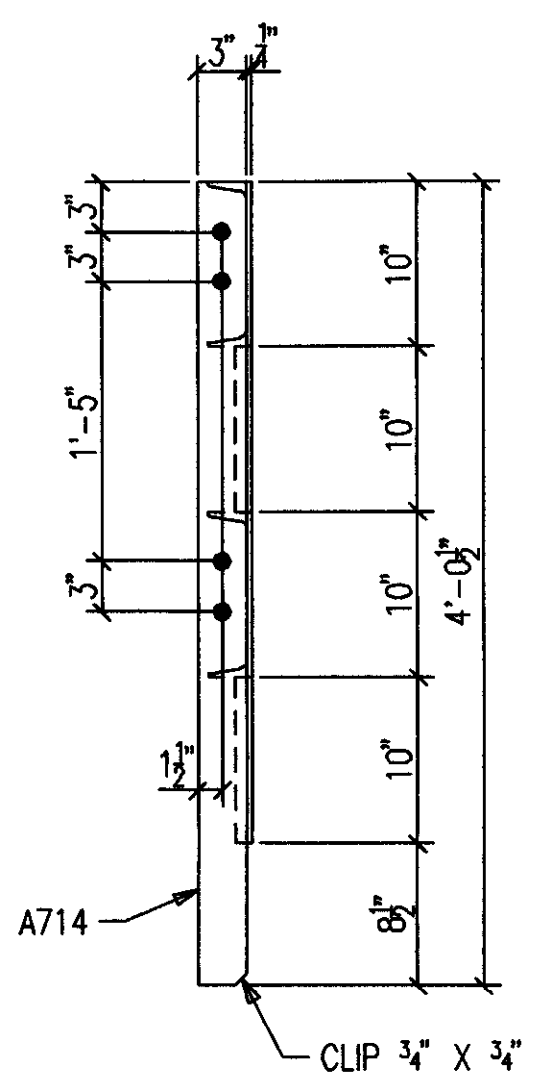
2-H/R PANEL 730M3  
(SHOP ATTACH)



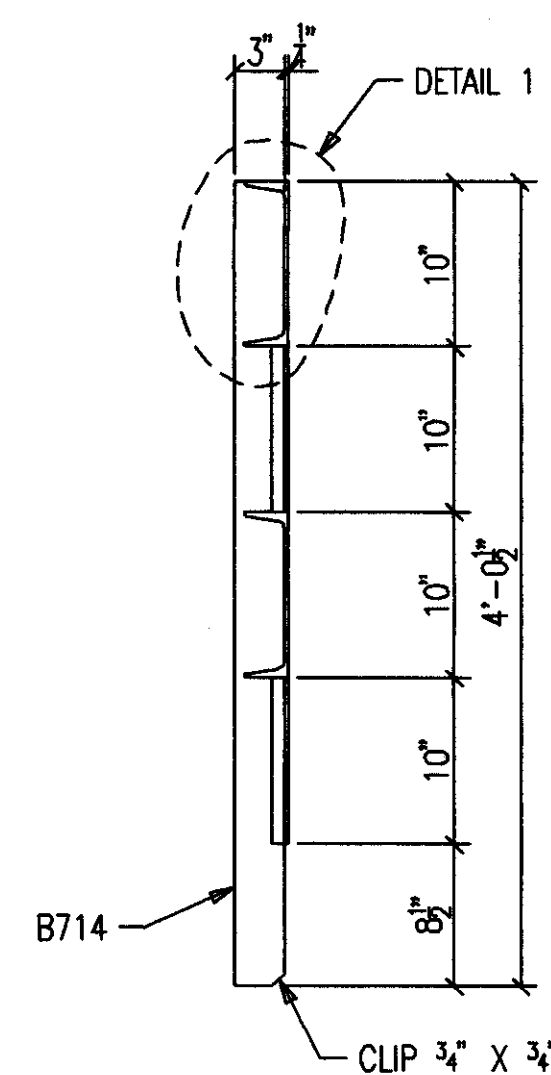
2-H/R PANELS 730M2  
(SHOP ATTACH)



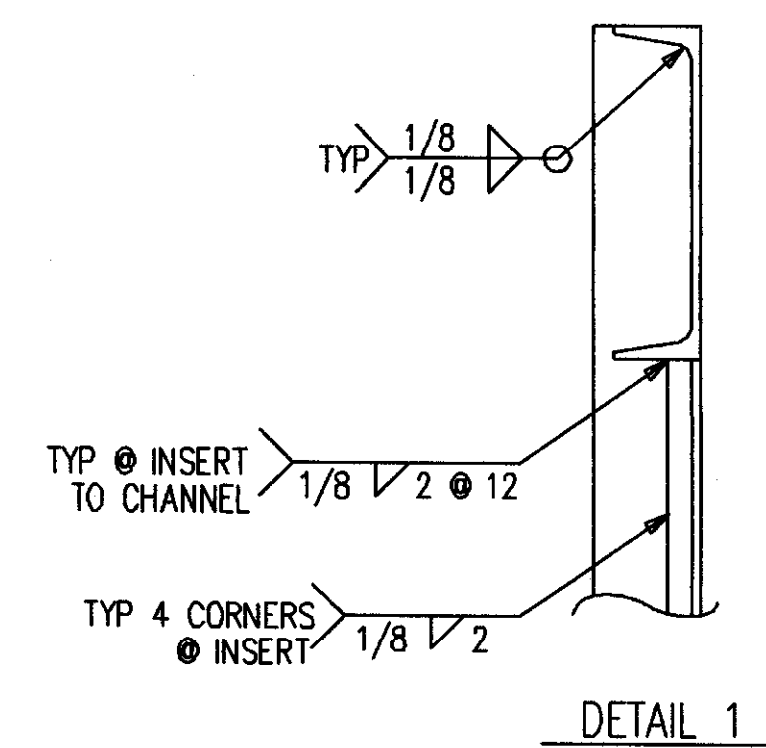
ONE-HANDRAIL 730H2  
2-A325 3/4 X 1 3/4 F1228A



SECTION A



SECTION B



DETAIL 1

BILL OF MATERIAL						
SHIP MARK SUB MARK	NO. PCS.	DESCRIPTION	LENGTH		CLIP UNITS	REMARKS
			FT.	IN.		
730H1	ONE	HANDRAIL				
A728	1	FB1/4X3	4	0-1/2		P
B728	1	FB1/2X3	4	0-1/2		SHAPE
C730	2	C10X15.3	2	11-7/8		BC1E
D730	2	C10X15.3	1	10		BC/SC1E
730H2	ONE	HANDRAIL				
A728	1	FB1/4X3	4	0-1/2		P
B728	2	FB1/2X3	4	0-1/2		SHAPE
E730	2	C10X15.3	10	3		SC2E
730M1	4	HR PANELS (SHOP ATT)				
AA716	8	L1X1X1/8	0	9-5/8		CTF
BB730	8	L1X1X1/8	1	5-1/4		
CC730	4	XSPAN MTL 1-1 X 9-1/8	1	4-1/2		FLAT/GALV
730M2	2	HR PANELS (SHOP ATT)				
AA716	4	L1X1X1/8	0	9-5/8		CTF
DD730	4	L1X1X1/8	4	2-3/8		
EE730	2	XSPAN MTL 1-1/2-9 X 9-1/8	4	1-5/8		FLAT/GALV
730M3	2	HR PANELS (SHOP ATT)				
AA716	4	L1X1X1/8	0	9-5/8		CTF
FF730	4	L1X1X1/8	1	9-1/4		
GG730	2	XSPAN MTL 1-1/2-9 X 9-5/8	1	8-1/2		FLAT/GALV
		FIELD BOLTS				
F1228A	5	A325 3/4X1-3/4				

**AS BUILT**  
NAME: *Walter Moore*  
DATE: **AUG 16 1999**

NO.	DATE	REVISION DESCRIPTION	SC	OWN	CRD
1	7/6/99	REVISED H1, M1			
CONTRACTOR TO CHECK ALL DIMENSIONS AT JOB AS MID STATES STEEL PRODUCTS CO. ASSUMES NO RESPONSIBILITY FOR GENERAL BUILDING DIMENSIONS. NO BACK CHARGES PERTAINING TO THIS WORK WILL BE ACCEPTED WITHOUT PRIOR AUTHORIZATION BY MID STATES STEEL PRODUCTS CO.					
MATERIAL U/N	A36	DRAWN BY	SC	JOB NAME	COMMONWEALTH STADIUM EXPAN'ION
OPEN HOLES U/N	13/16" Ø	DATE	4/99	JOB LOCATION	UNIVERSITY OF KENTUCKY
WELD ELECTRODE U/N	E70XX	CHECKED BY		CONTRACTOR	TURNER CONSTRUCTION COMPANY
SHOP PAINT	SEE SPECS	DATE		ENGINEER	WALTER P. MOORE
DRAWING TITLE: HANDRAIL @ UPPER CONCOURSE					

DATE	APP	SHOP	FIELD

2044 BUCK LANE  
LEXINGTON, KENTUCKY 40511  
PHONE: 606-233-4344 FAX: 606-233-4346  
**MID STATES STEEL PRODUCTS CO.**  
FABRICATORS OF STRUCTURAL AND MISCELLANEOUS STEEL

ORDER NO.  
**P3524**  
SHEET NO.  
**730**